



SONIC™

THE HEDGEHOG

77002



Q LEGO® Builder



Get excited about our new packaging!

We're switching from plastic to paper-based packaging. That's why you might find a mix of paper and plastic in our boxes!

Nos nouveaux emballages vous emballeront !

Nous passons des emballages en plastique aux emballages à base de papier. C'est pourquoi vous pourriez trouver un mélange de papier et de plastique dans nos boîtes !

¡Te presentamos nuestros nuevos empaques!

Estamos sustituyendo las bolsas de plástico por bolsas con base de papel. ¡Por eso, puedes encontrar una mezcla de papel y de plástico en nuestras cajas!

[LEGO.com/sustainable-packaging](https://www.lego.com/sustainable-packaging)



🔍 LEGO® Builder

BUILDER

Download on the
App Store

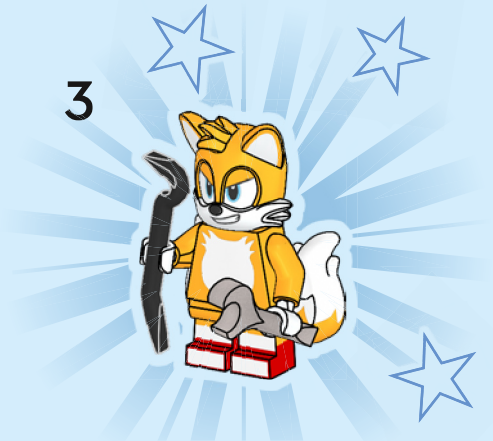
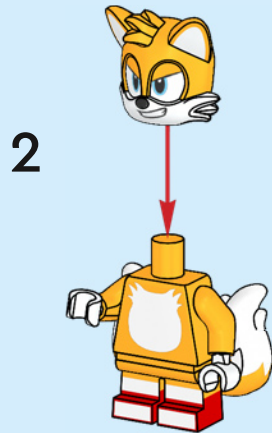
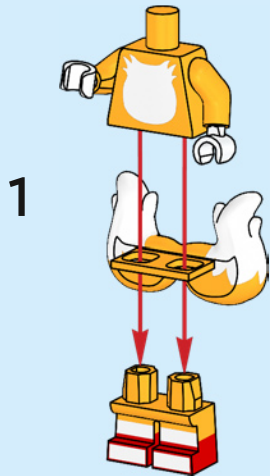
GET IT ON
Google Play

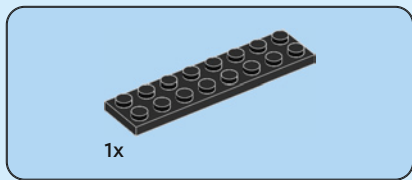
腾讯应用宝
安卓应用商店

Apple and the Apple logo are trademarks of Apple Inc., registered in the U.S. and other countries and regions. App Store is a service mark of Apple Inc. Google Play and the Google Play logo are trademarks of Google LLC. Tencent and the Tencent logo are trademarks of Tencent Inc.

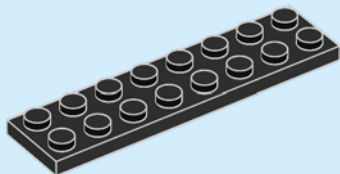
🔍 [LEGO.com/devicecheck](https://www.lego.com/devicecheck)

EN Ask parents' permission before going online | **DE** Eltern um Erlaubnis bitten, bevor du online gehst | **FR** Demande l'autorisation d'un parent avant d'aller en ligne | **IT** Chiedi il permesso ai tuoi genitori prima di andare online | **ES** Pídeles permiso a tus papás antes de conectarte a Internet | **PT** Pede autorização aos pais antes de acederes online | **ZH** 上网前应先征得父母的同意 | **PL** Poproś rodziców o zgodę, zanim wejdiesz do Internetu | **CS** Než půjdeš na internet, požádej rodiče o svolení | **SK** Skôr než pôjdeš na internet, vypýtaj si povolenie od rodičov | **HU** Kérj szülői engedélyt, mielőtt online csatlakoznál! | **RO** Cere permisiunea părinților înainte de a te conecta online | **BG** Поискайте разрешение от родител, преди да влезете онлайн | **LV** Pirms došanās tiešsaistē palūdz atļauju vecākiem | **ET** Enne Interneti kasutamist küsi vanematelt luba | **LT** Prieš prisijungdami prie interneto, atsiklauskite tėvų

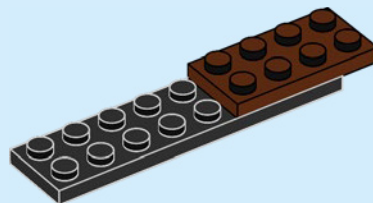




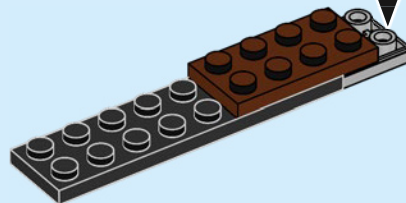
1

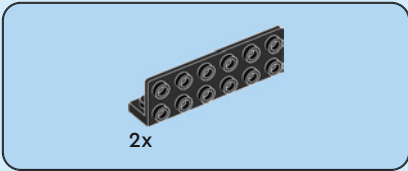


2

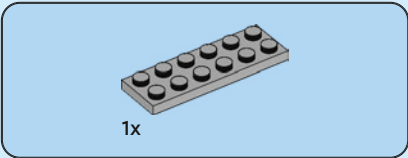
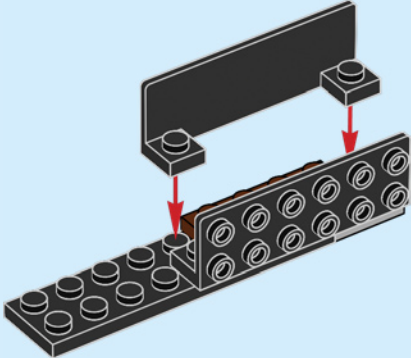


3

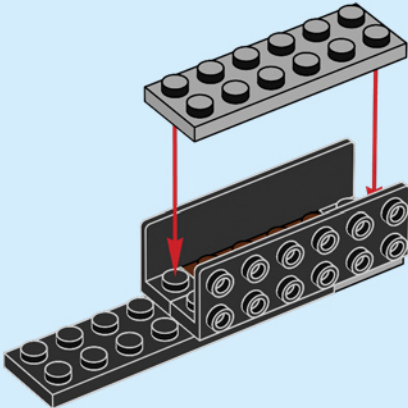




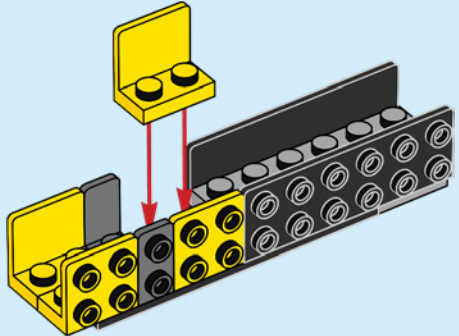
4



5

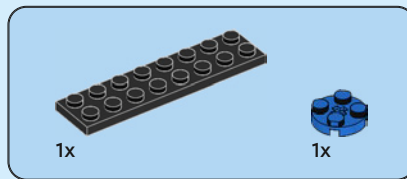
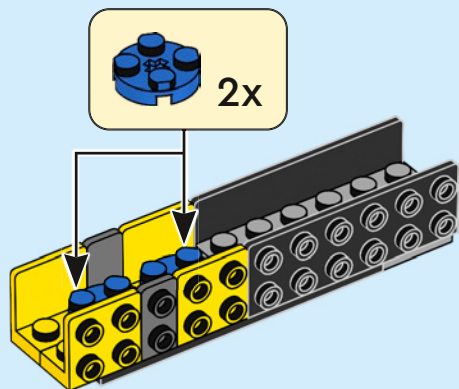


6

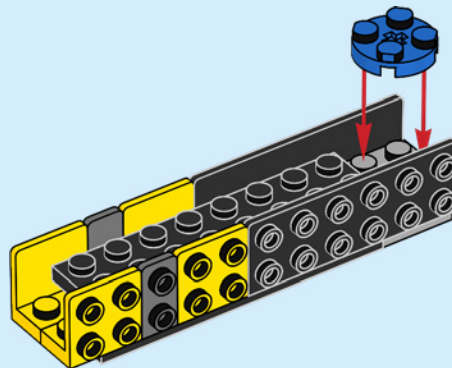




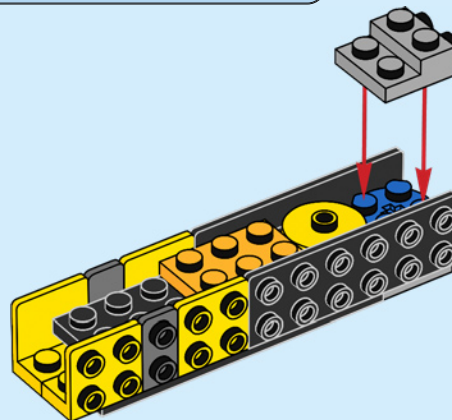
7

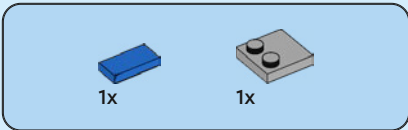


8

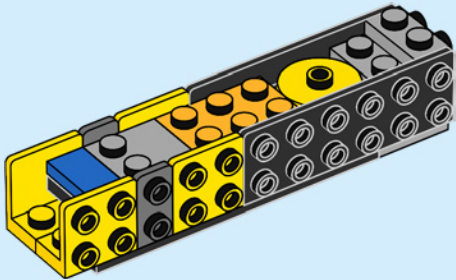


9

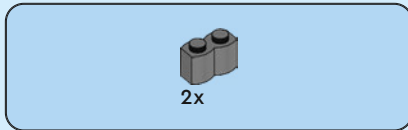
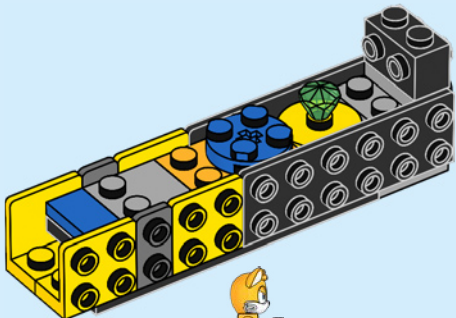




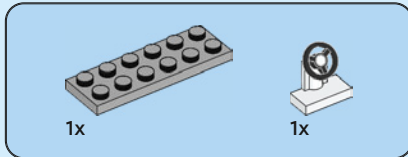
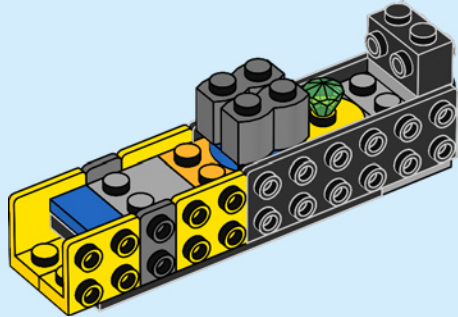
10



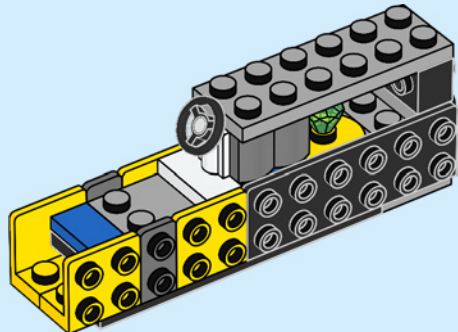
11

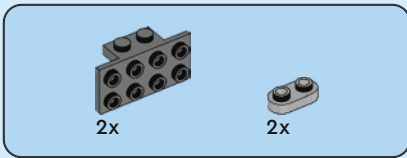


12

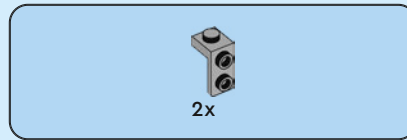
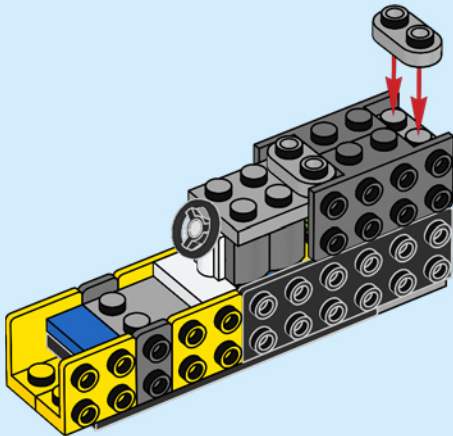


13

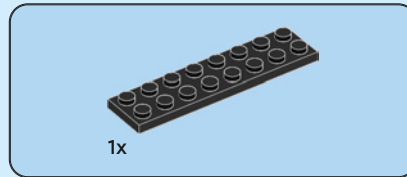
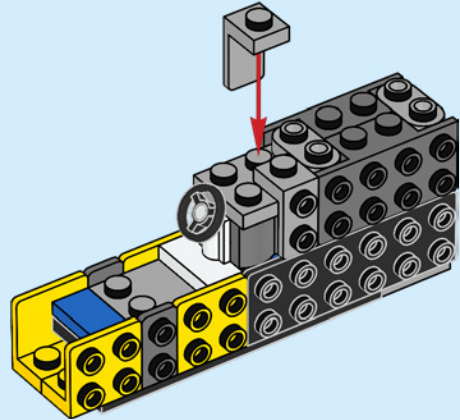




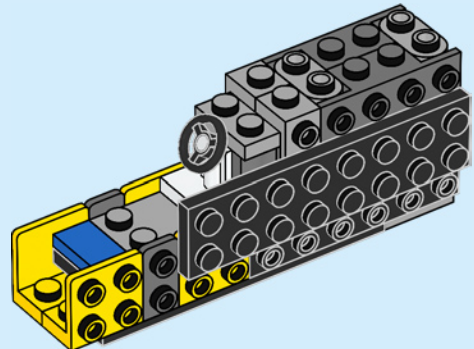
14

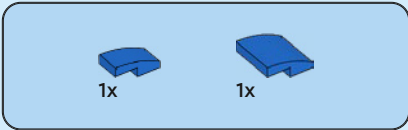


15

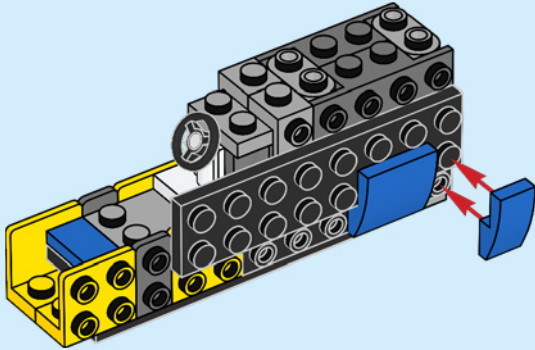


16

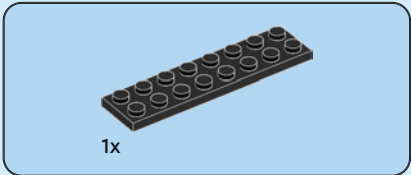
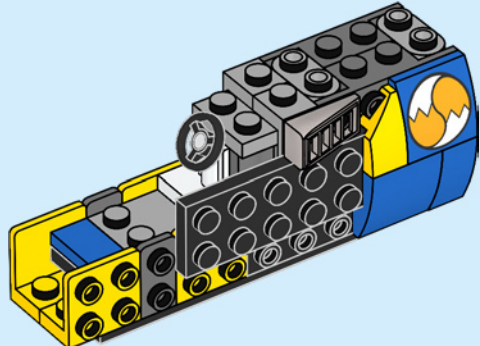




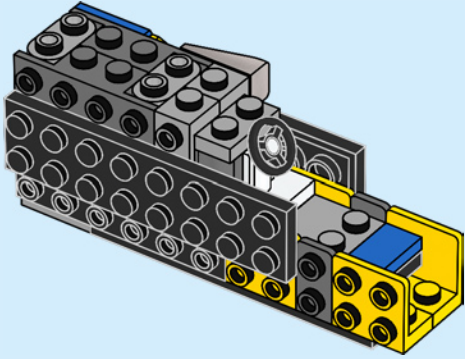
17



18



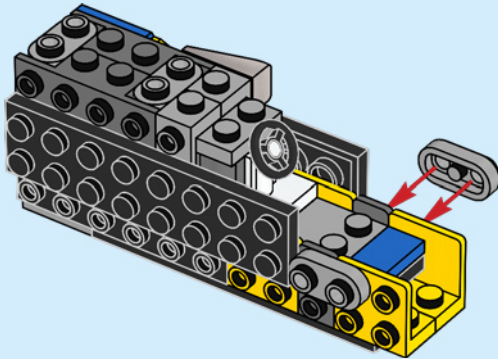
19





2x

20

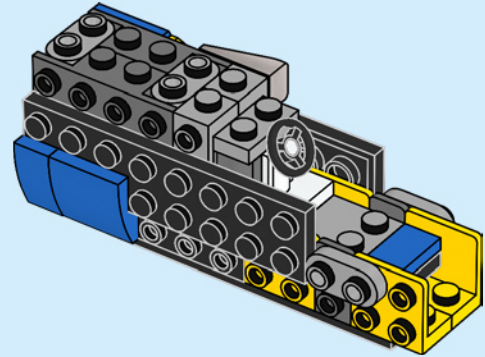


1x



1x

21



1x

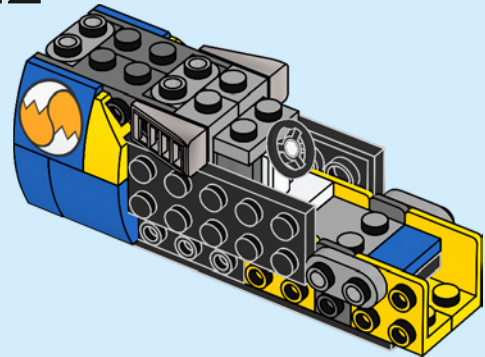


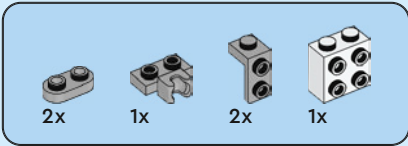
1x



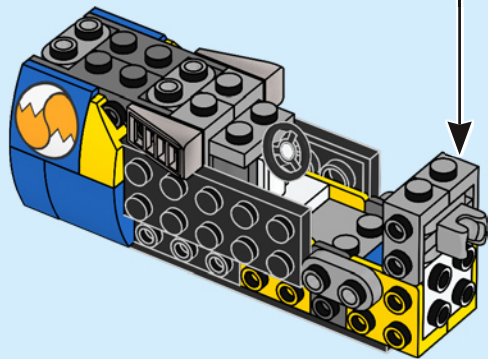
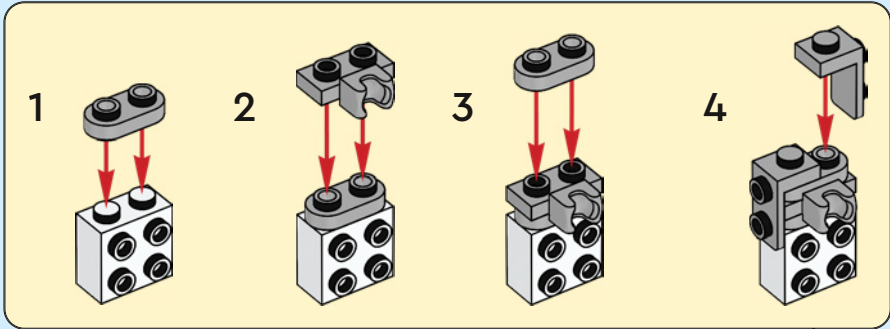
1x

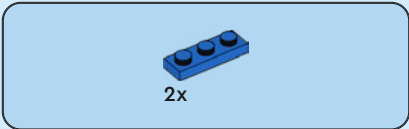
22



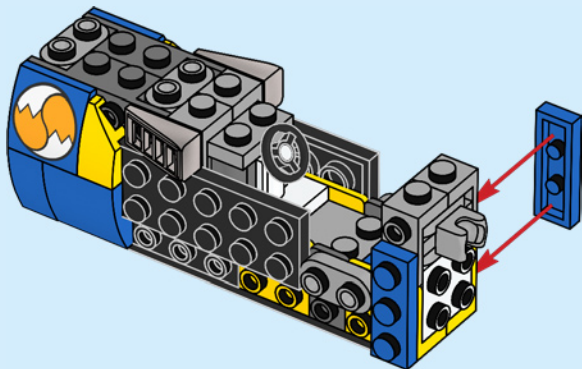


23

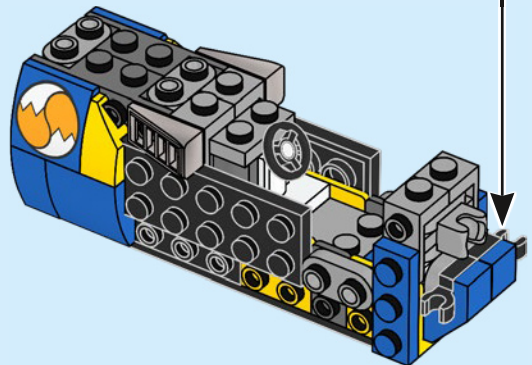
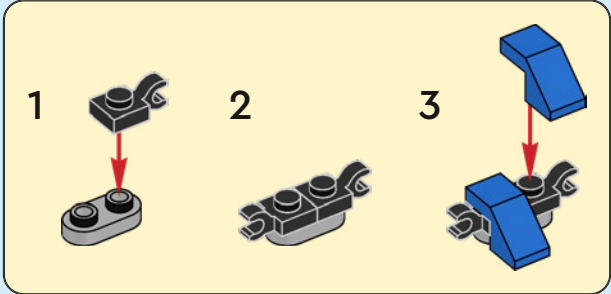




24



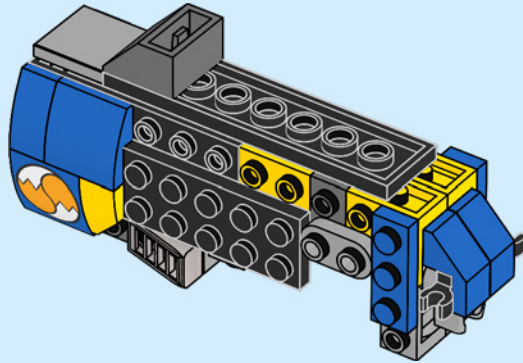
25

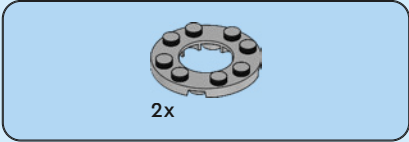
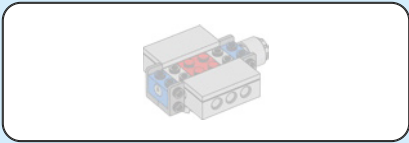




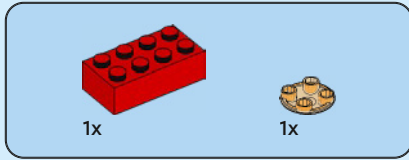
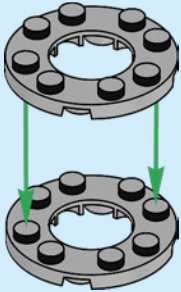
1x

26

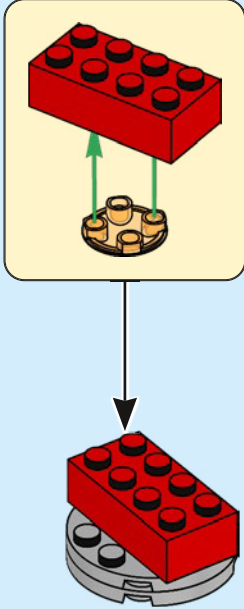


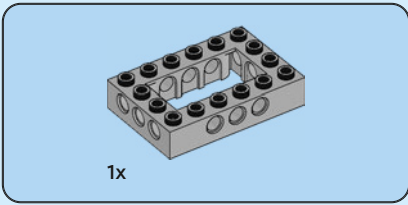


27

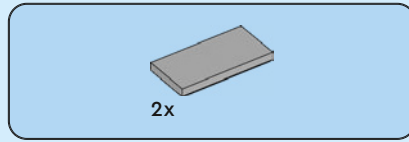
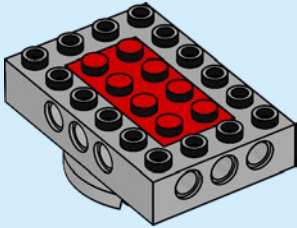


28

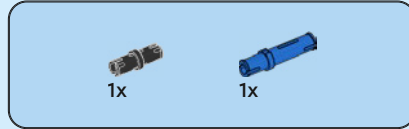
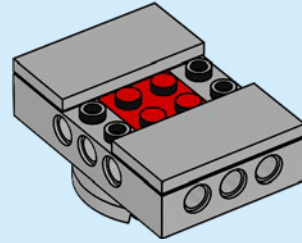




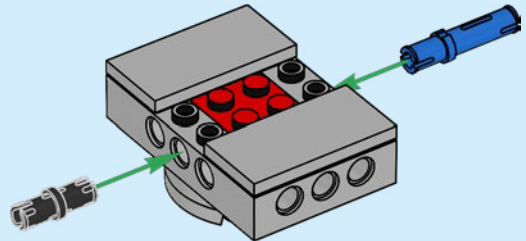
29



30



31



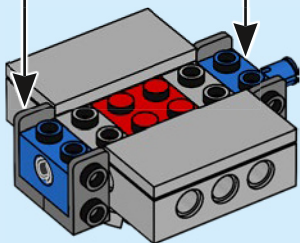
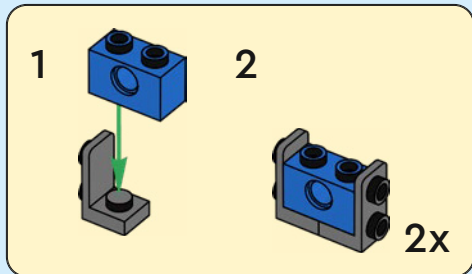


2x



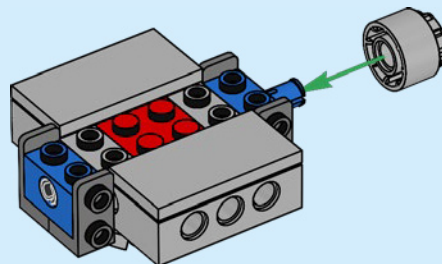
4x

32

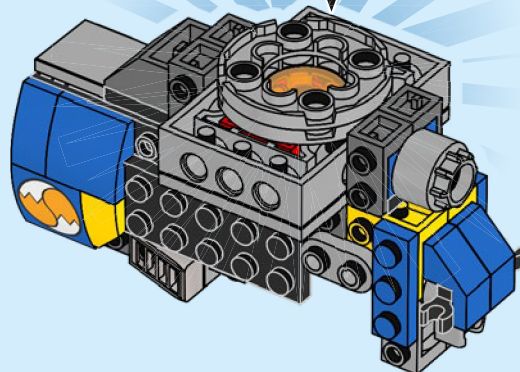


1x

33



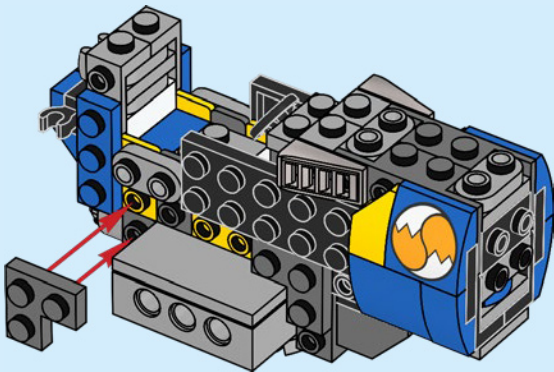
34





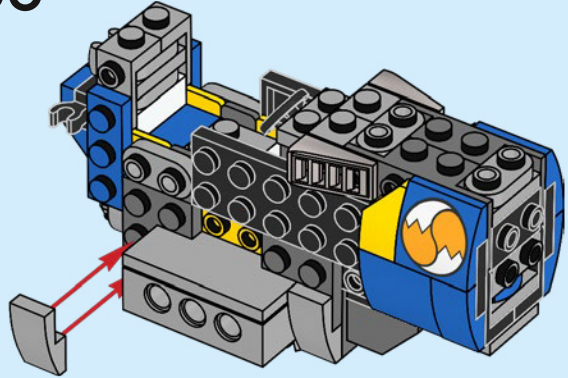
2x

35



2x

36

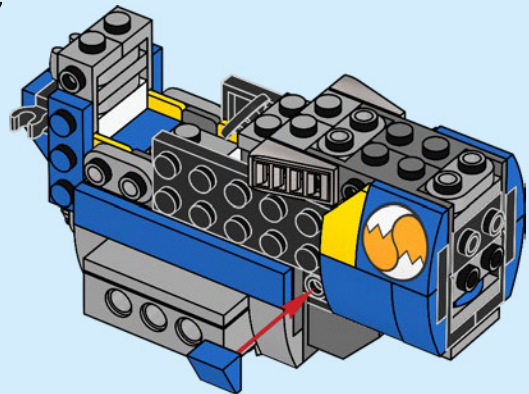


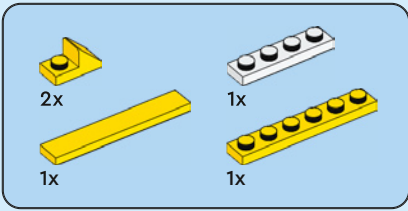
1x



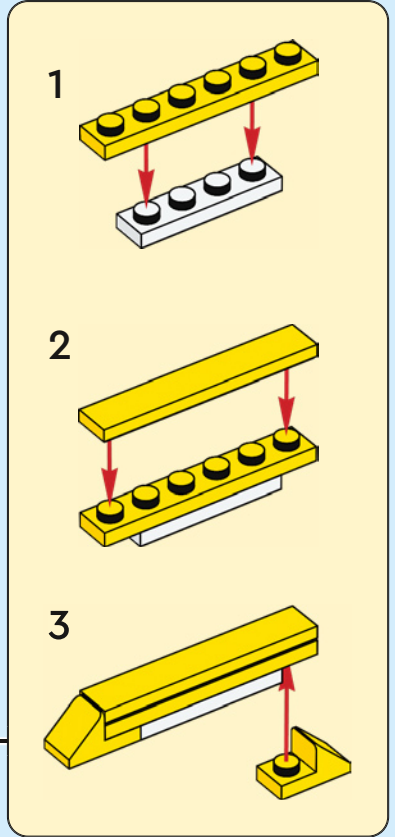
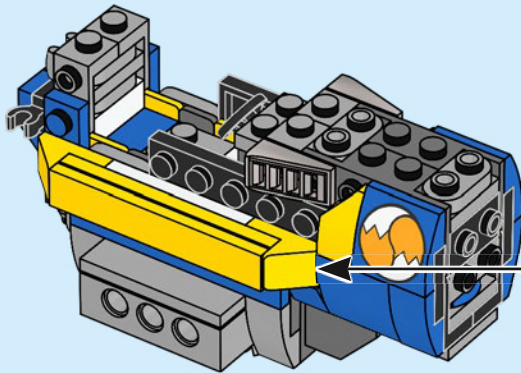
1x

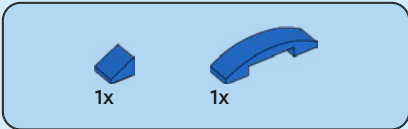
37



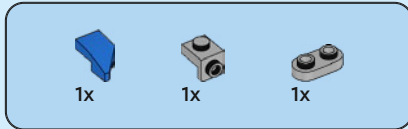
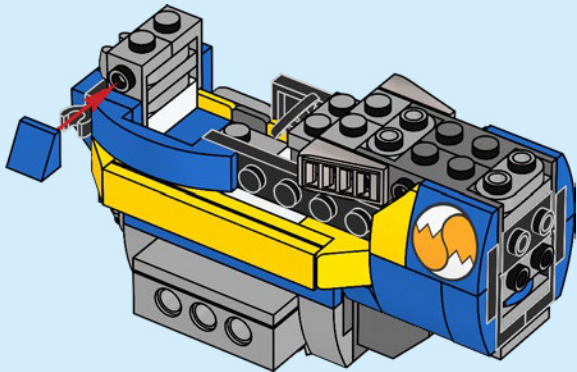


38

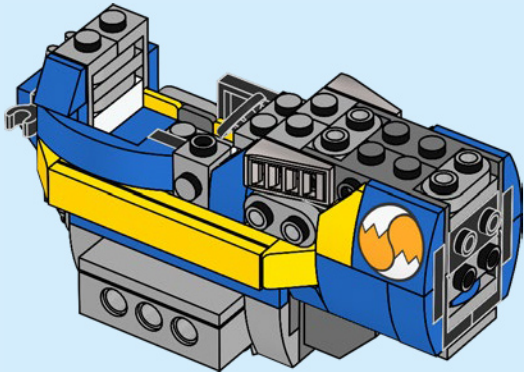




39



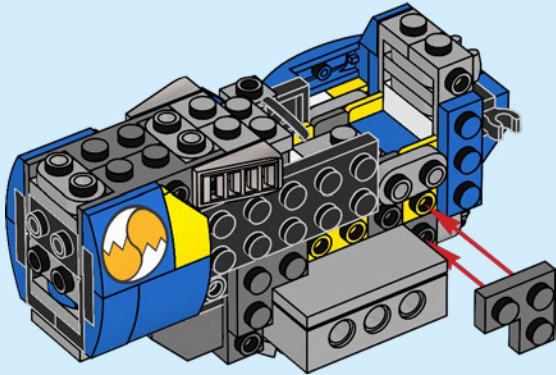
40





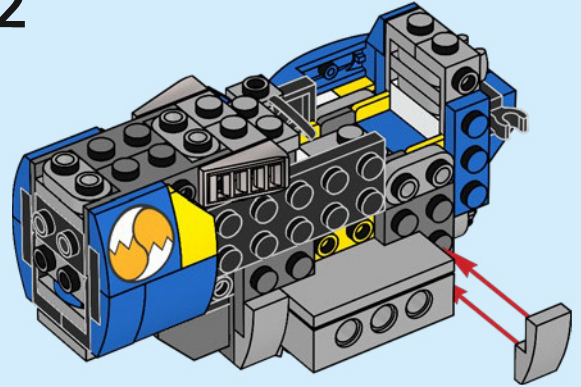
2x

41



2x

42

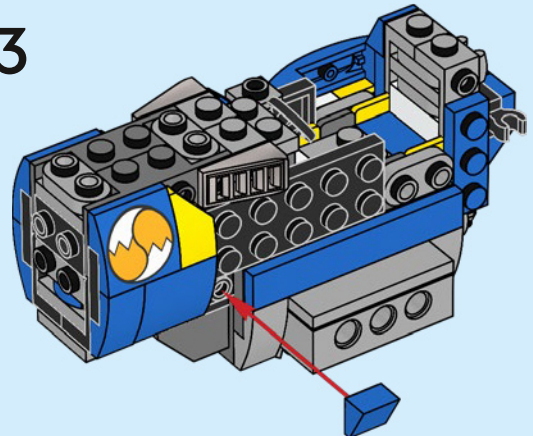


1x

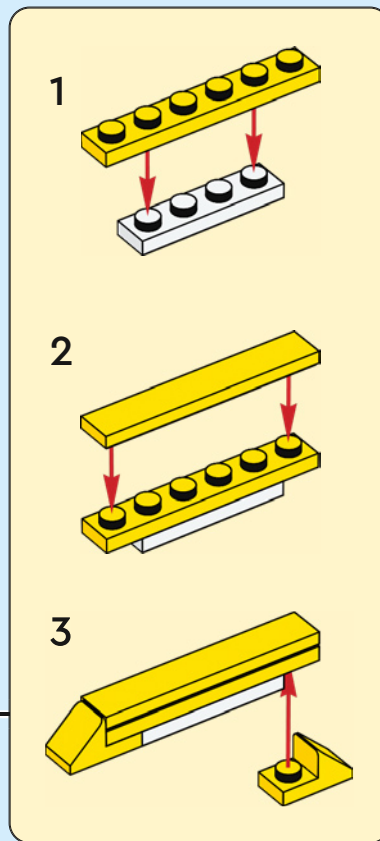
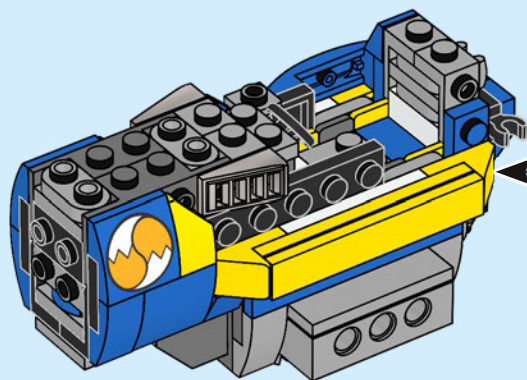
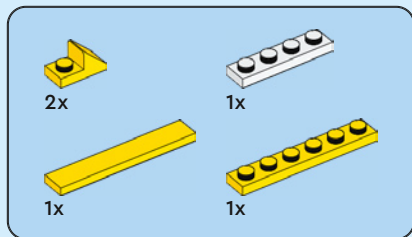


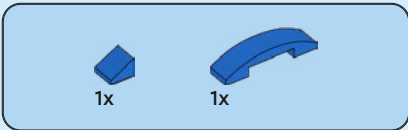
1x

43

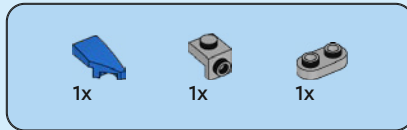
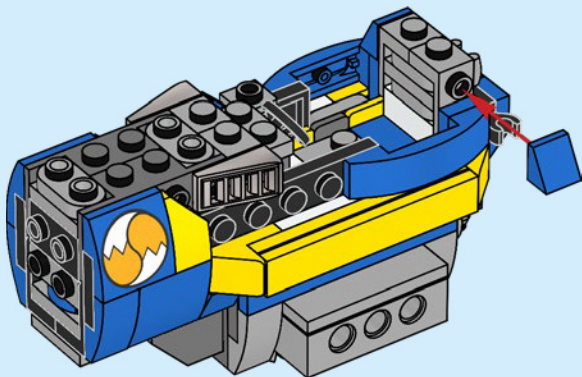


44

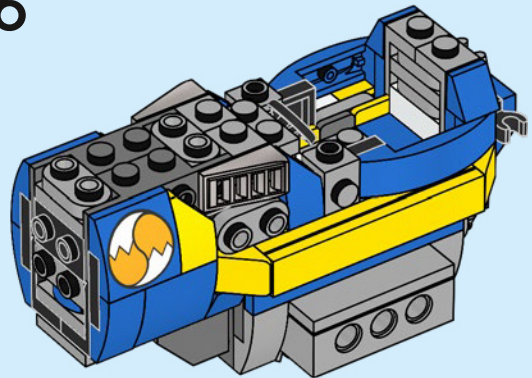




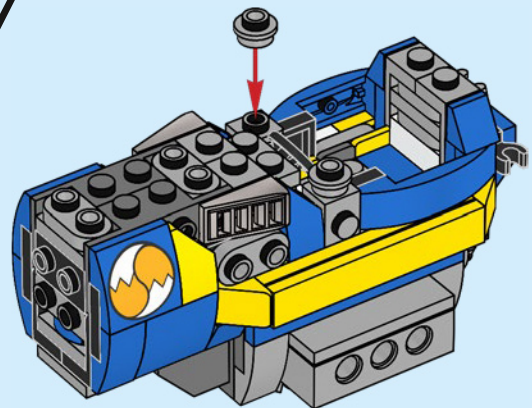
45

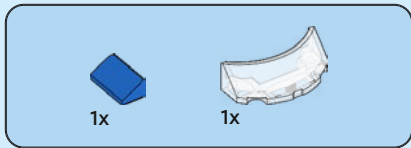


46

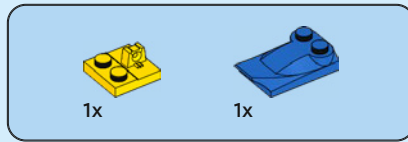
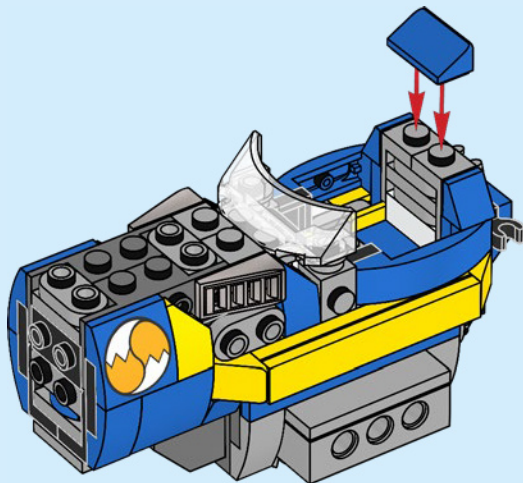


47

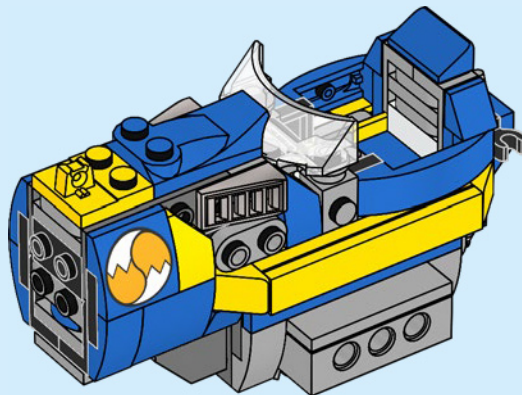


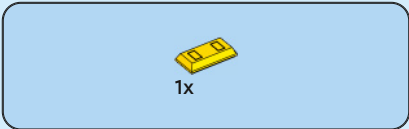


48

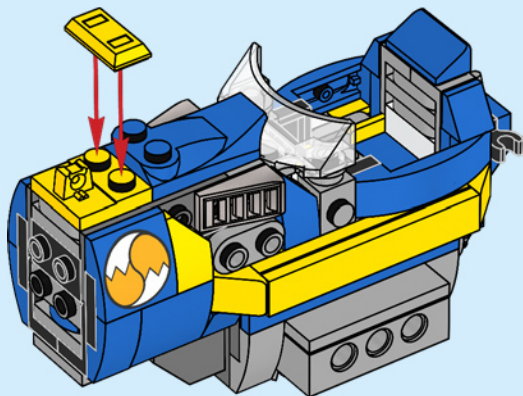


49

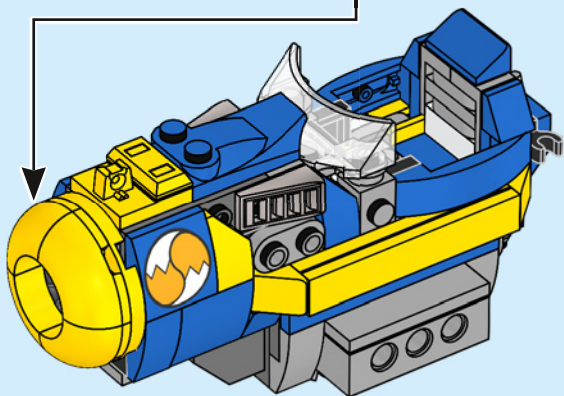
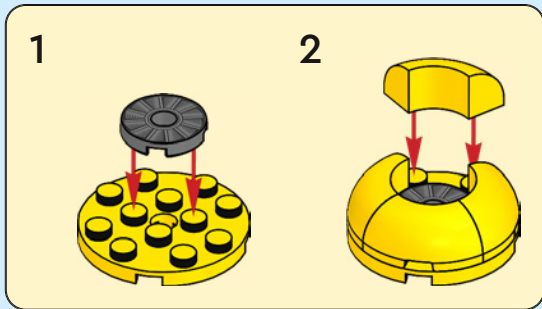


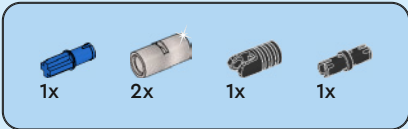


50

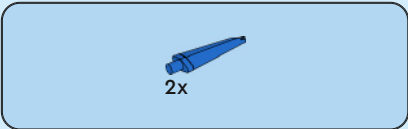
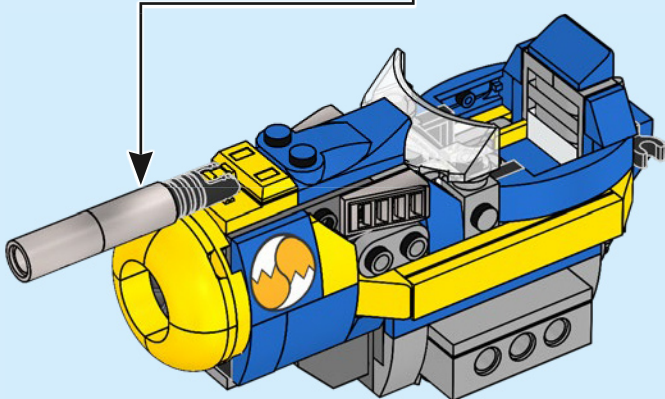
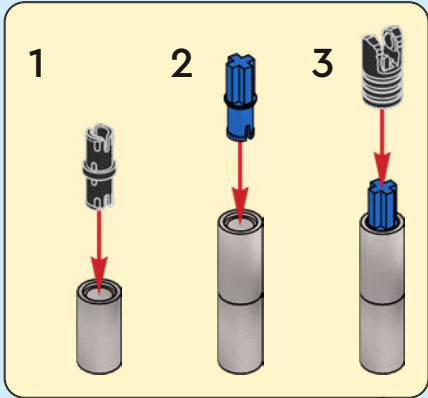


51

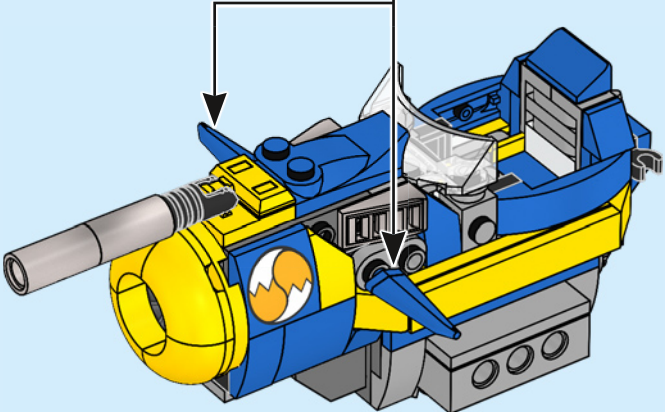


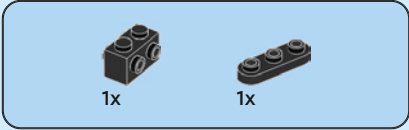
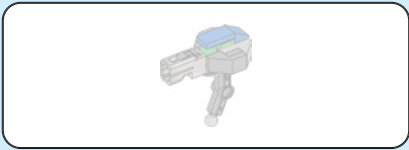


52

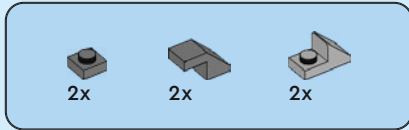
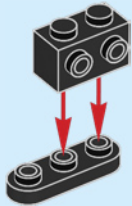


53

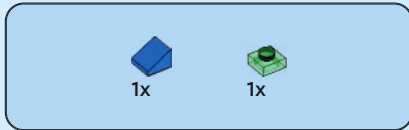
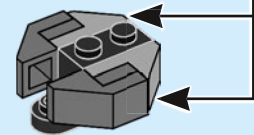
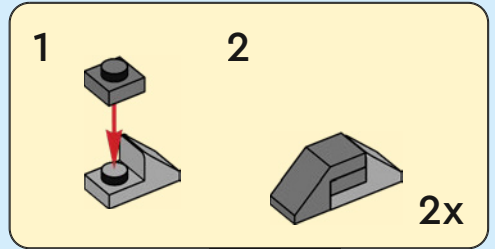




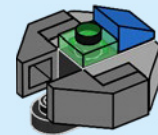
54

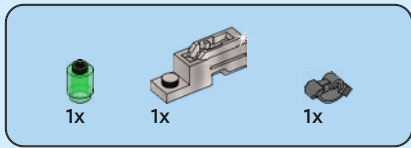


55

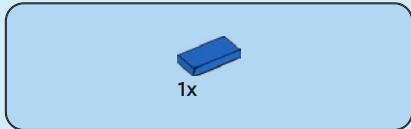
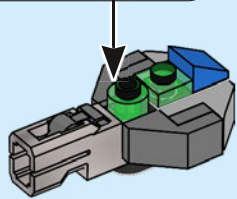
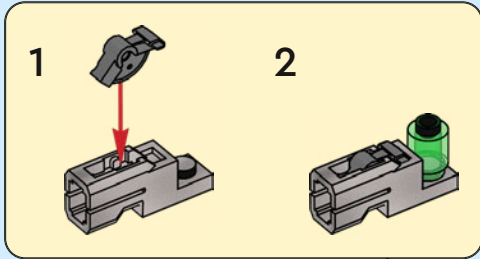


56

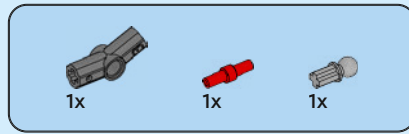
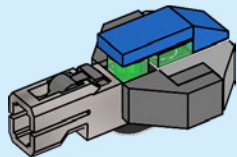




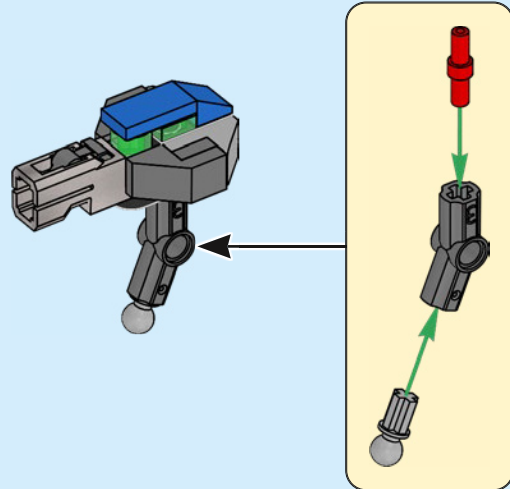
57



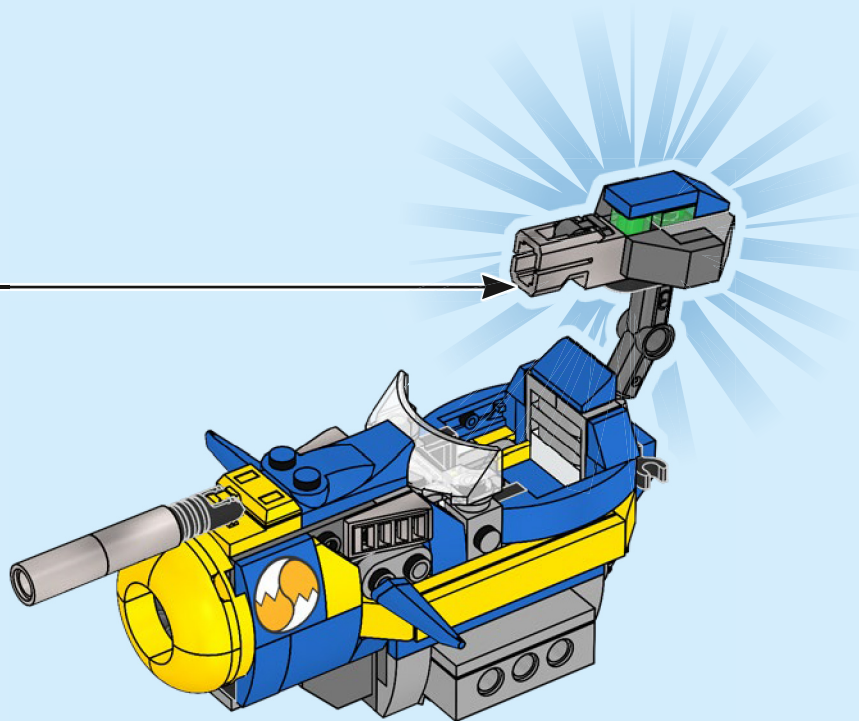
58

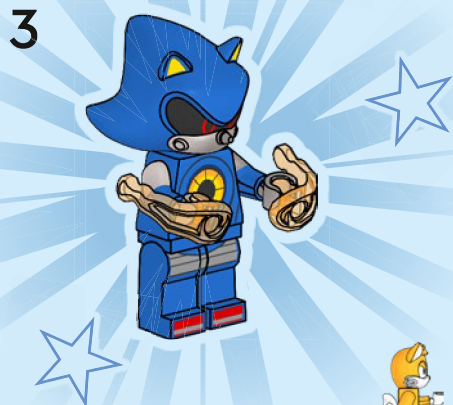
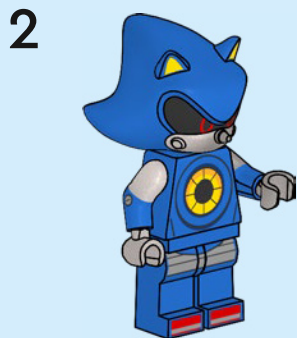
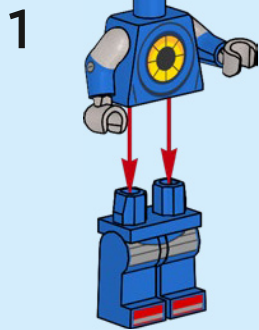
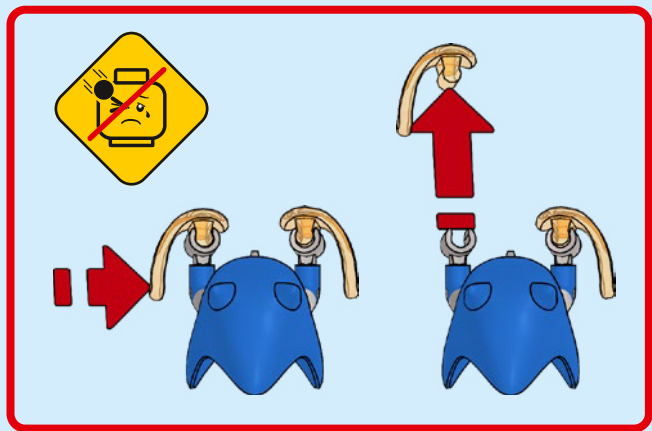


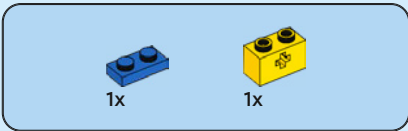
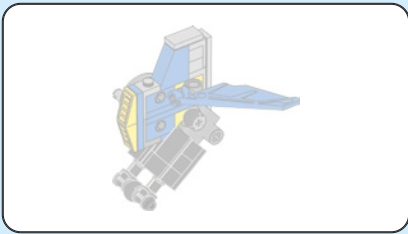
59



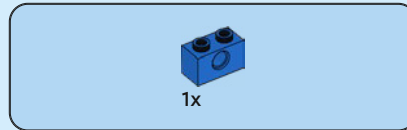
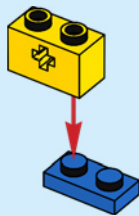
60



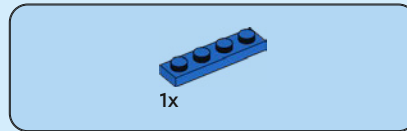
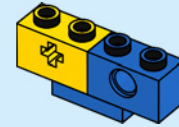




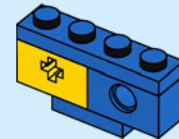
61



62



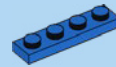
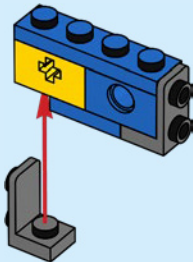
63





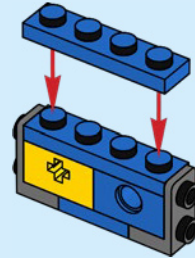
2x

64



1x

65

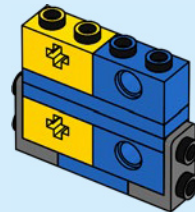


1x



1x

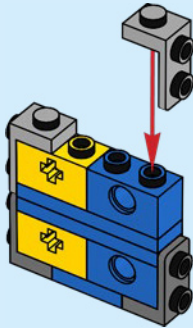
66





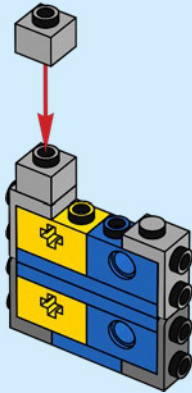
2x

67



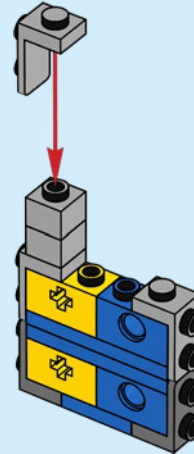
2x

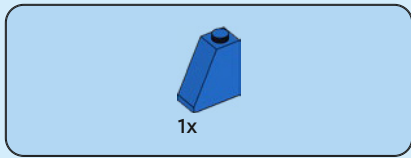
68



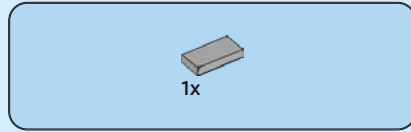
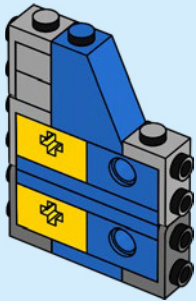
1x

69

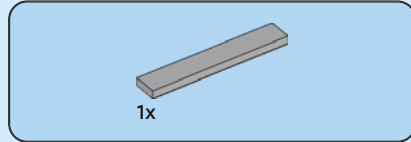
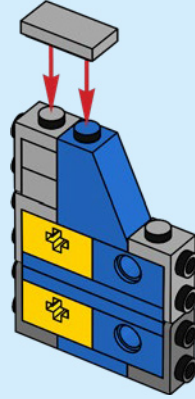




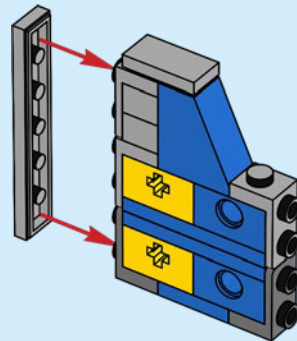
70

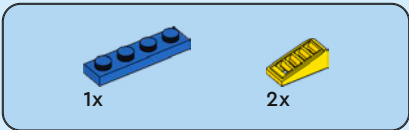


71

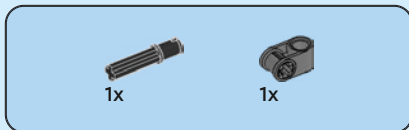
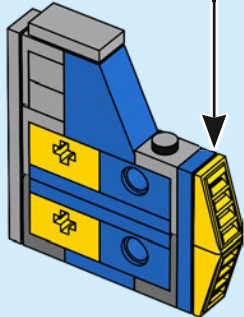
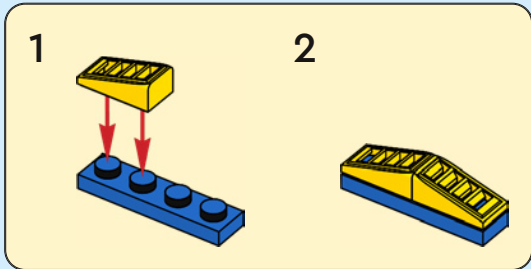


72

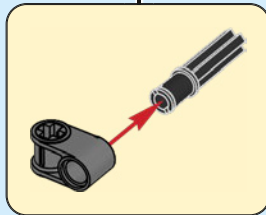
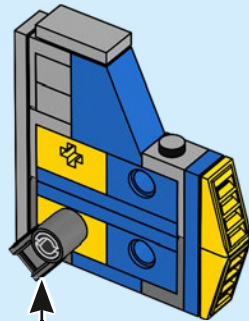


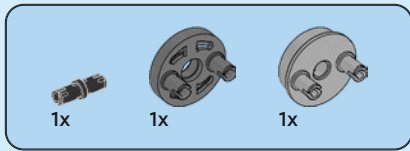


73

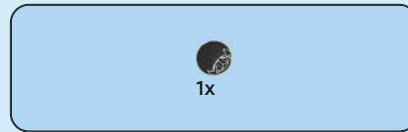
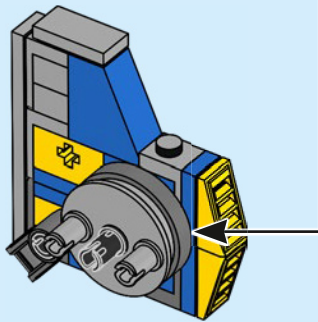
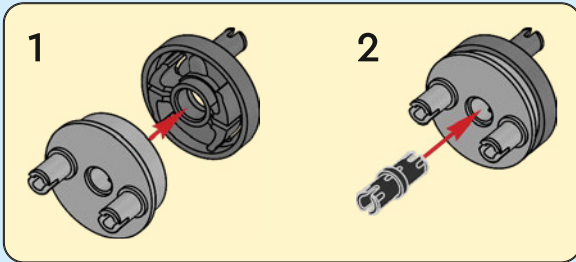


74

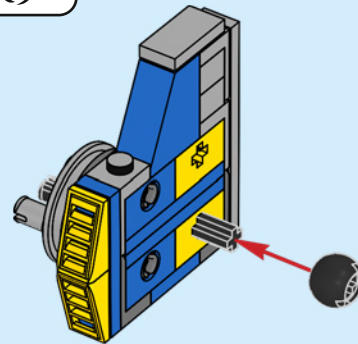


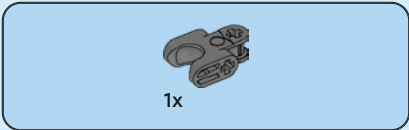


75

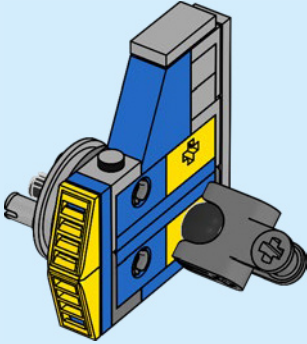


76

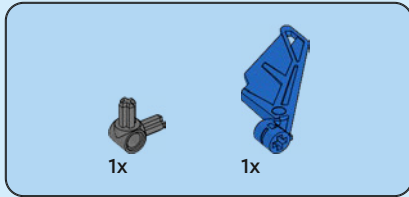
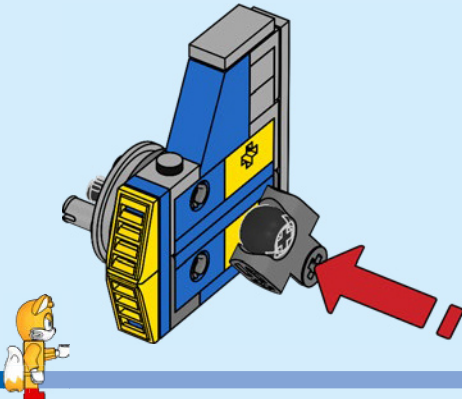




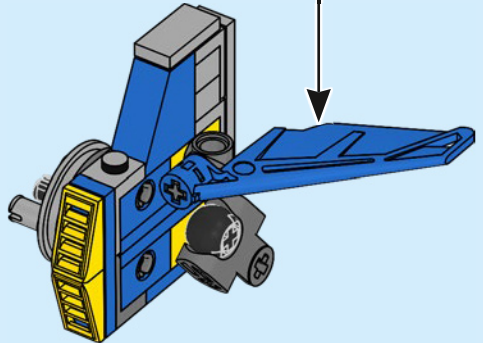
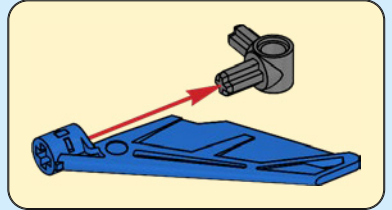
77

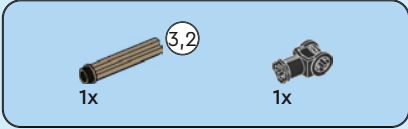
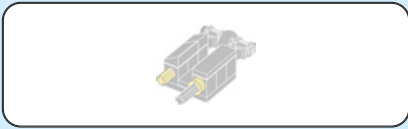


78

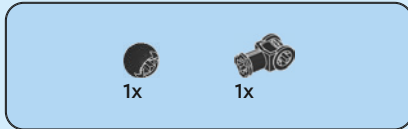
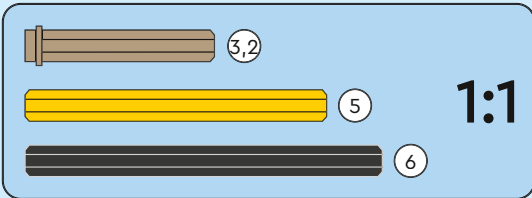
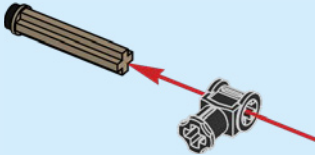


79

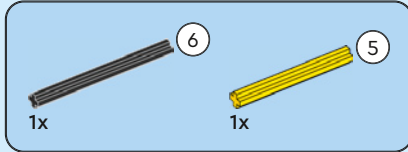
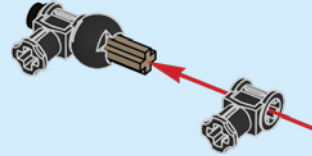




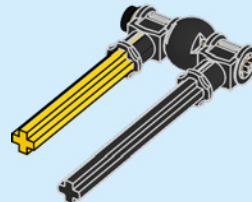
80



81



82



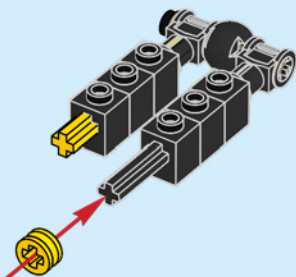


1x

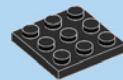


6x

83

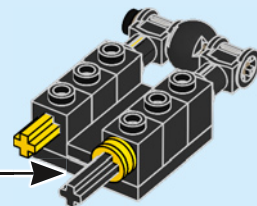
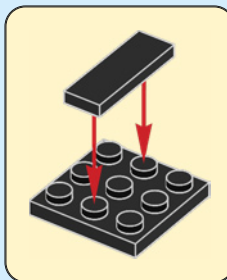


1x



1x

84



1x

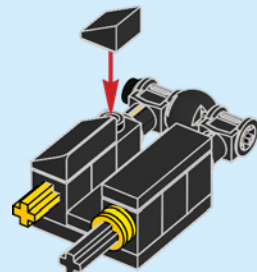


1x

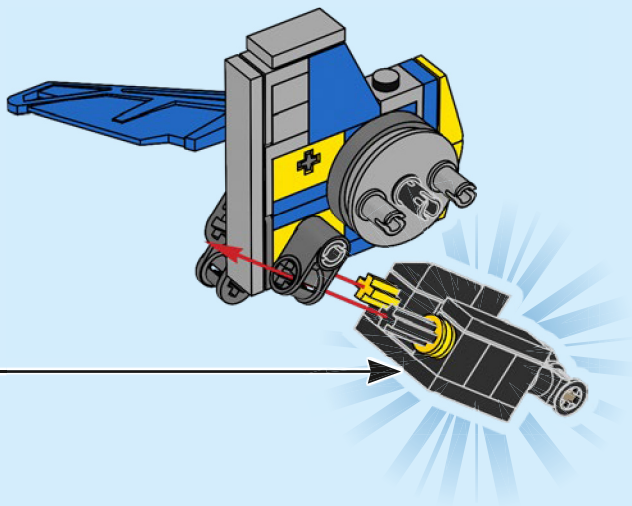


1x

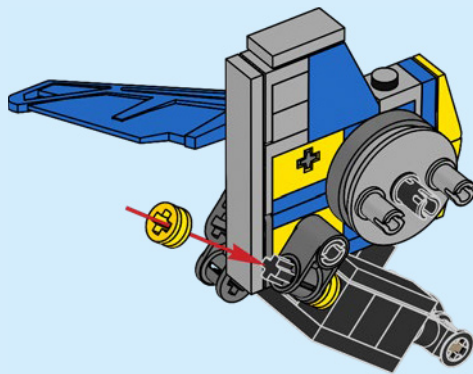
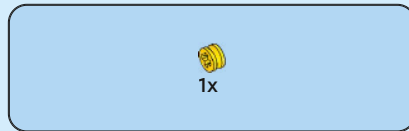
85



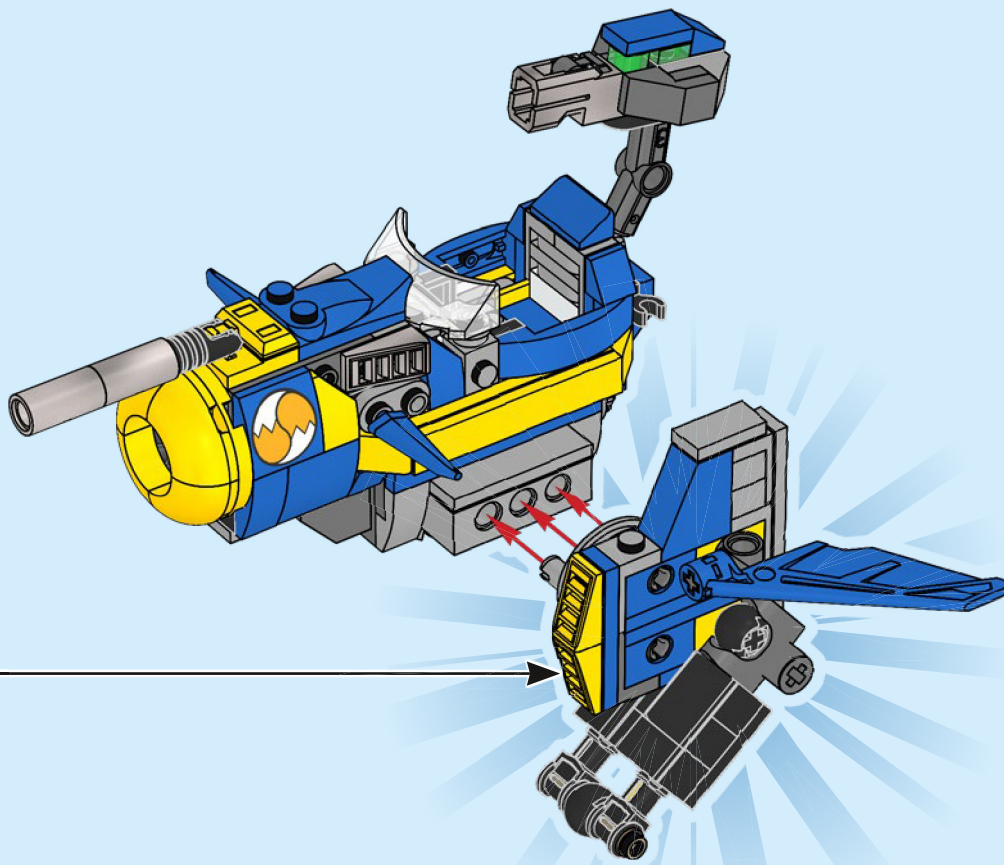
86

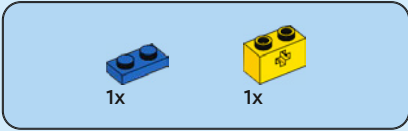
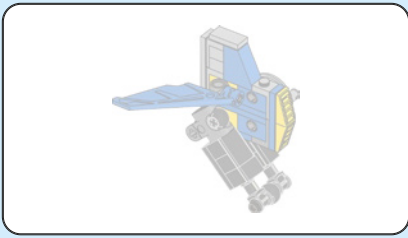


87

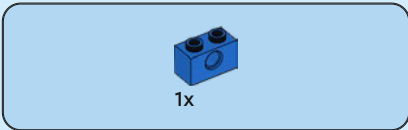
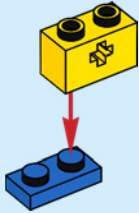


88

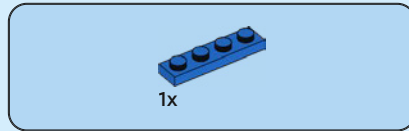
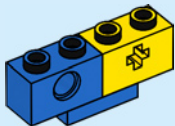




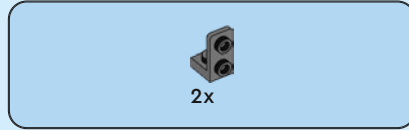
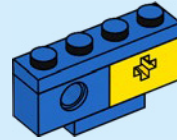
89



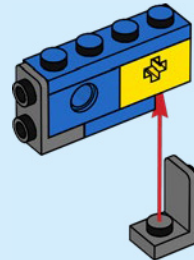
90

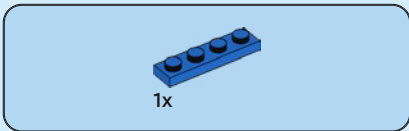


91

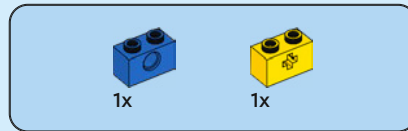
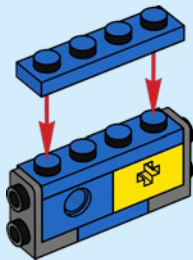


92

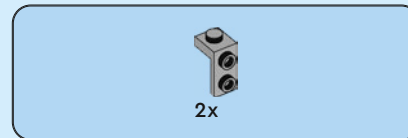
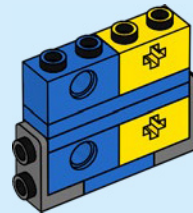




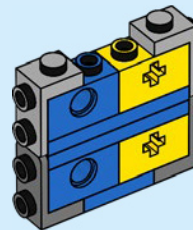
93



94



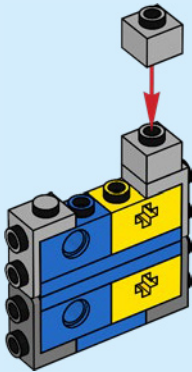
95





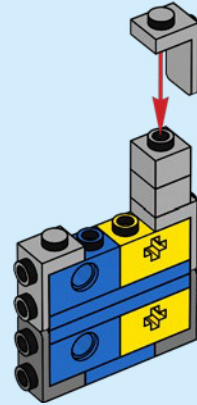
2x

96



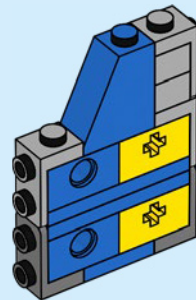
1x

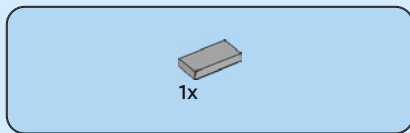
97



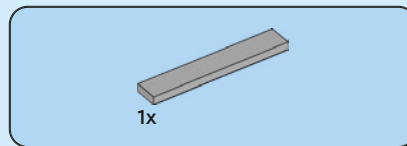
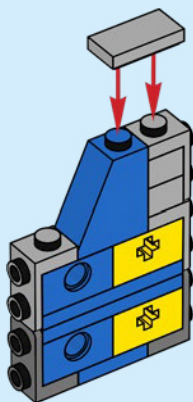
1x

98

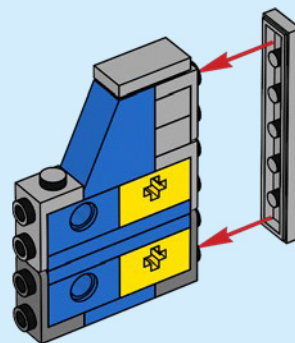




99

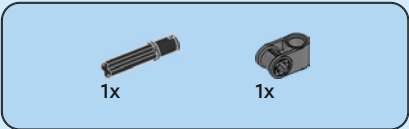
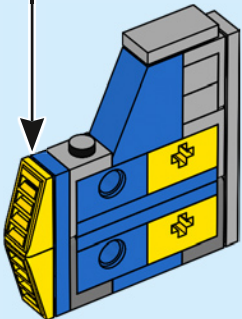
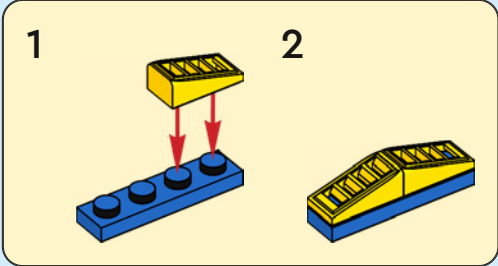


100

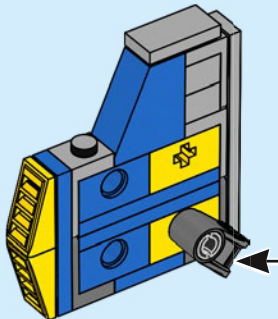
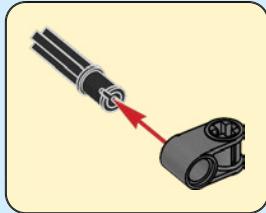


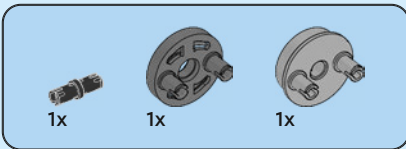


101

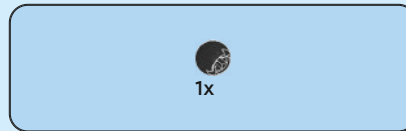
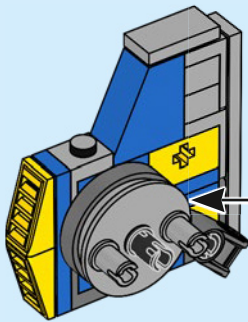
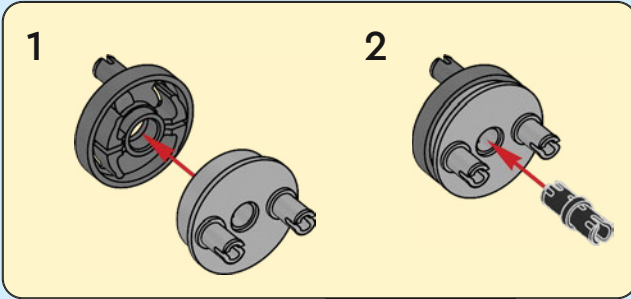


102

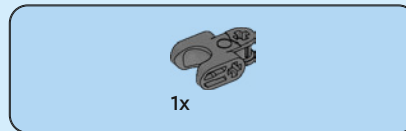
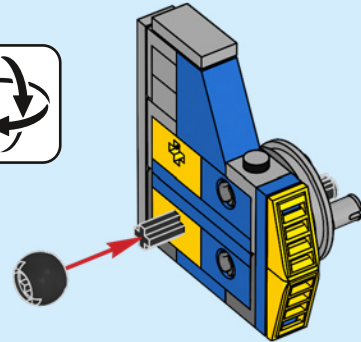




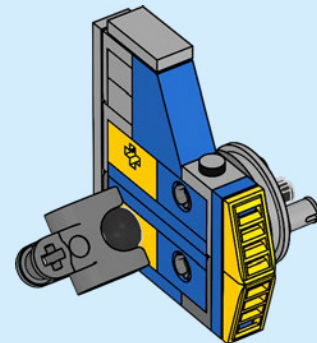
103



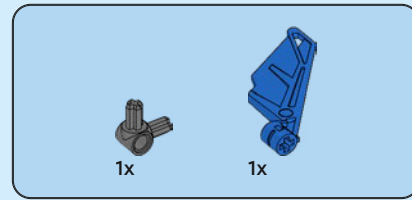
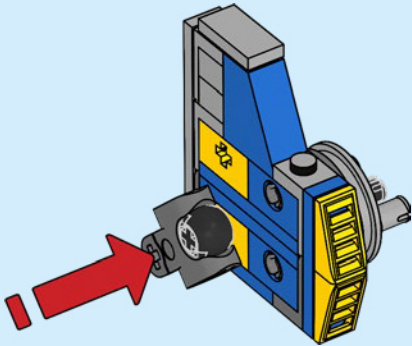
104



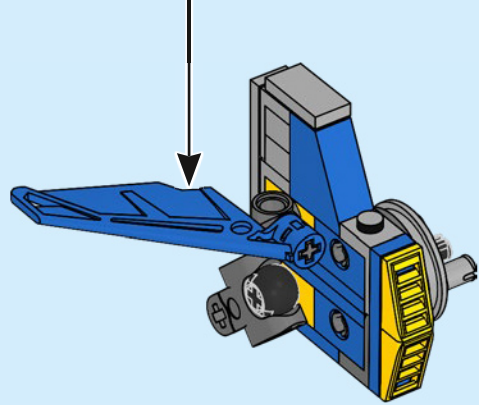
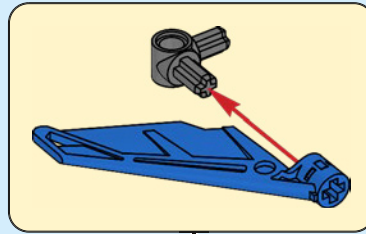
105

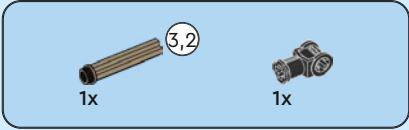
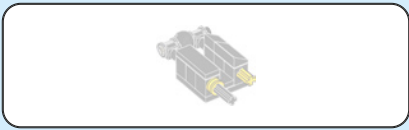


106

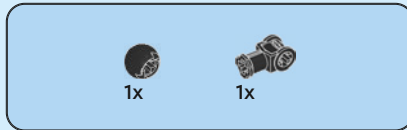
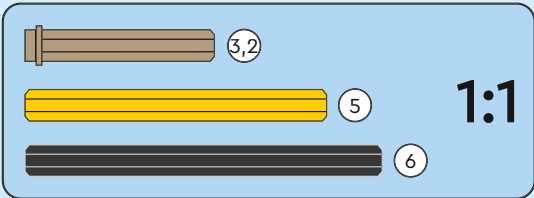
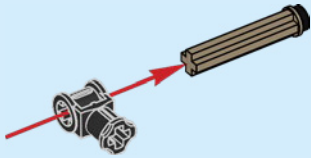


107

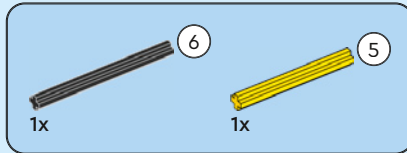
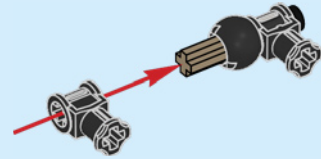




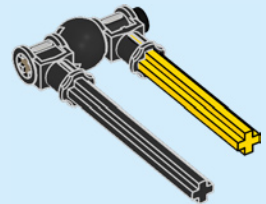
108



109



110



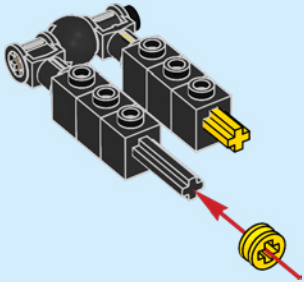


1x

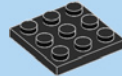


6x

111

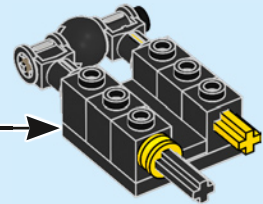
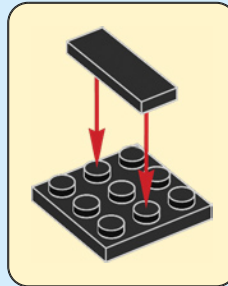


1x



1x

112



1x

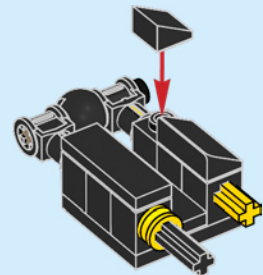


1x

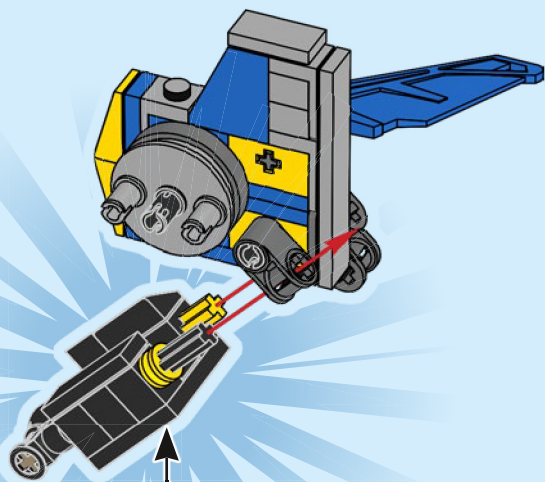


1x

113



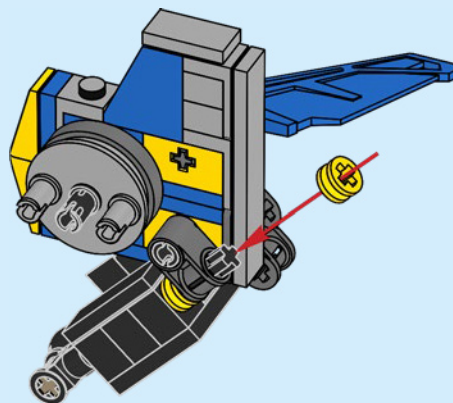
114



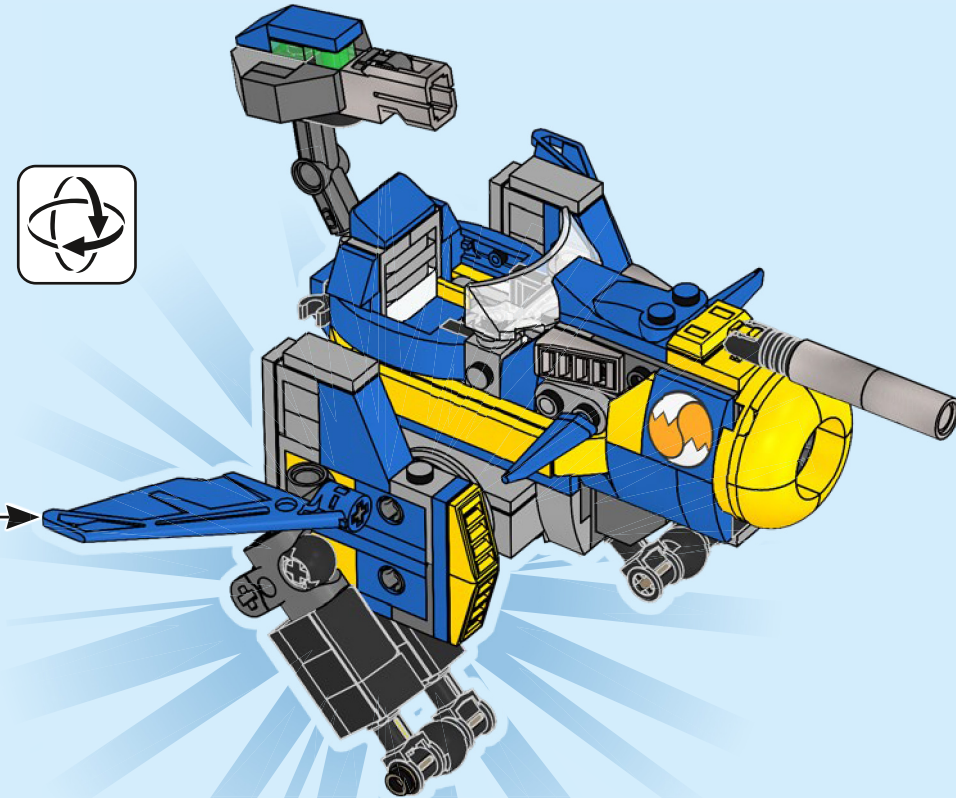
115



1x



116





2x

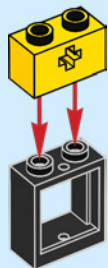


1x



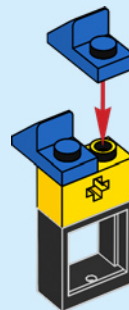
1x

117



2x

118



2x

119





1x

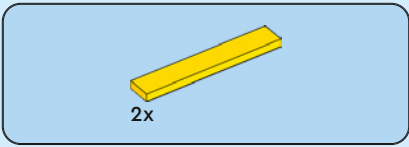
120



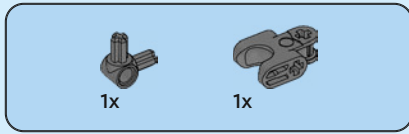
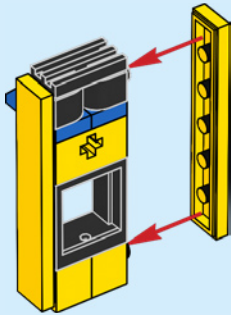
2x

121

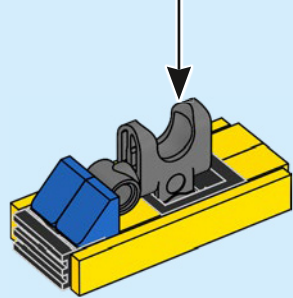
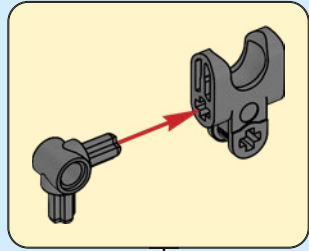




122



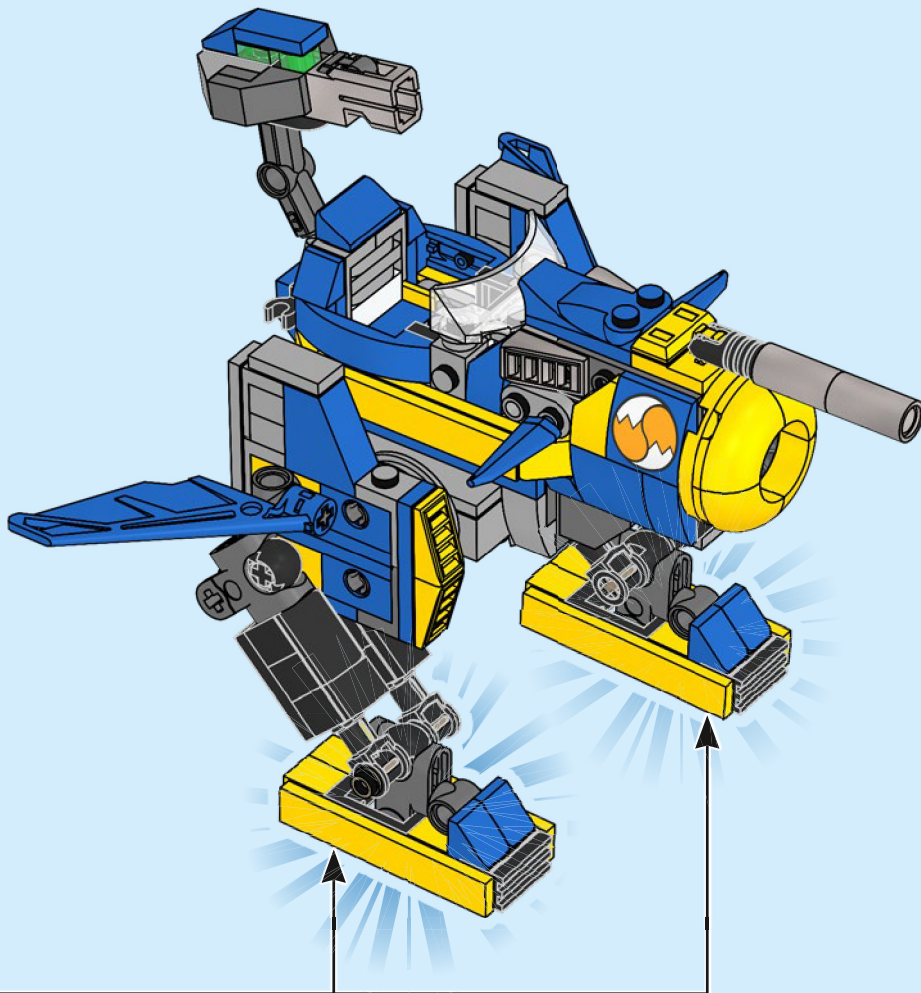
123

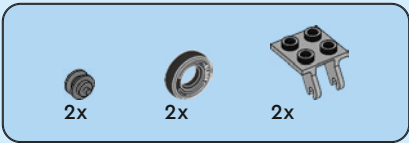


2x

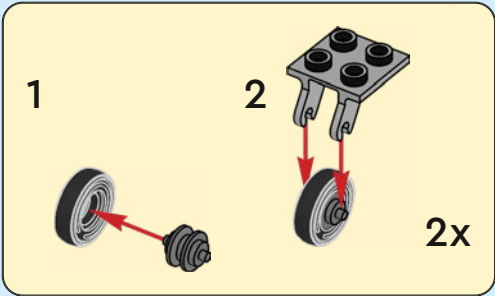
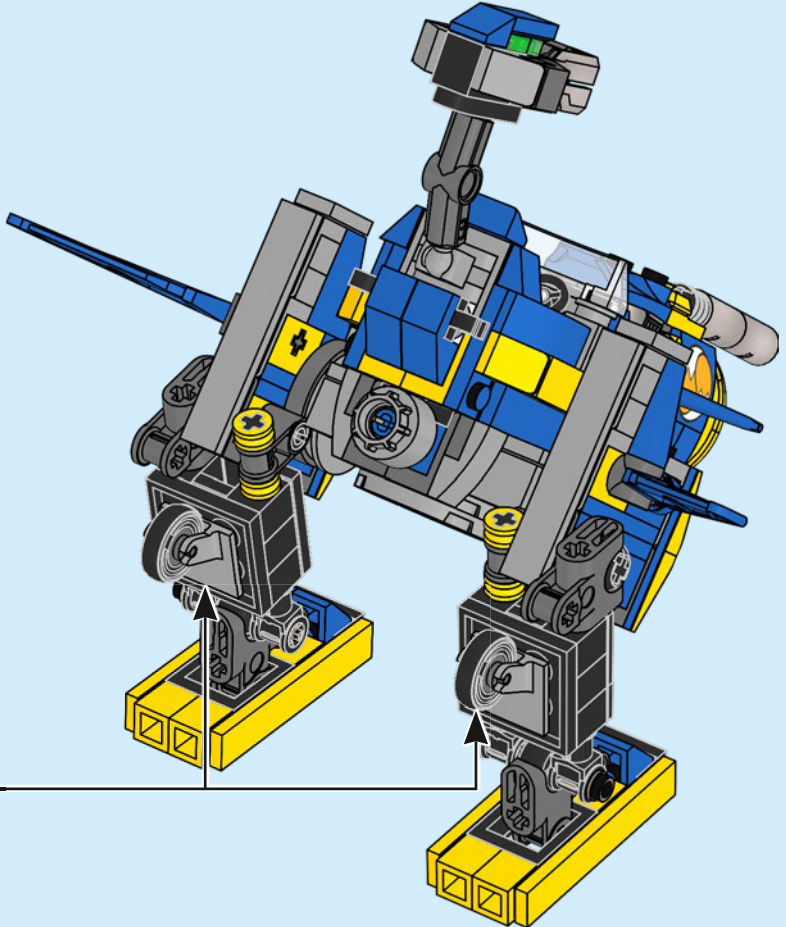


124





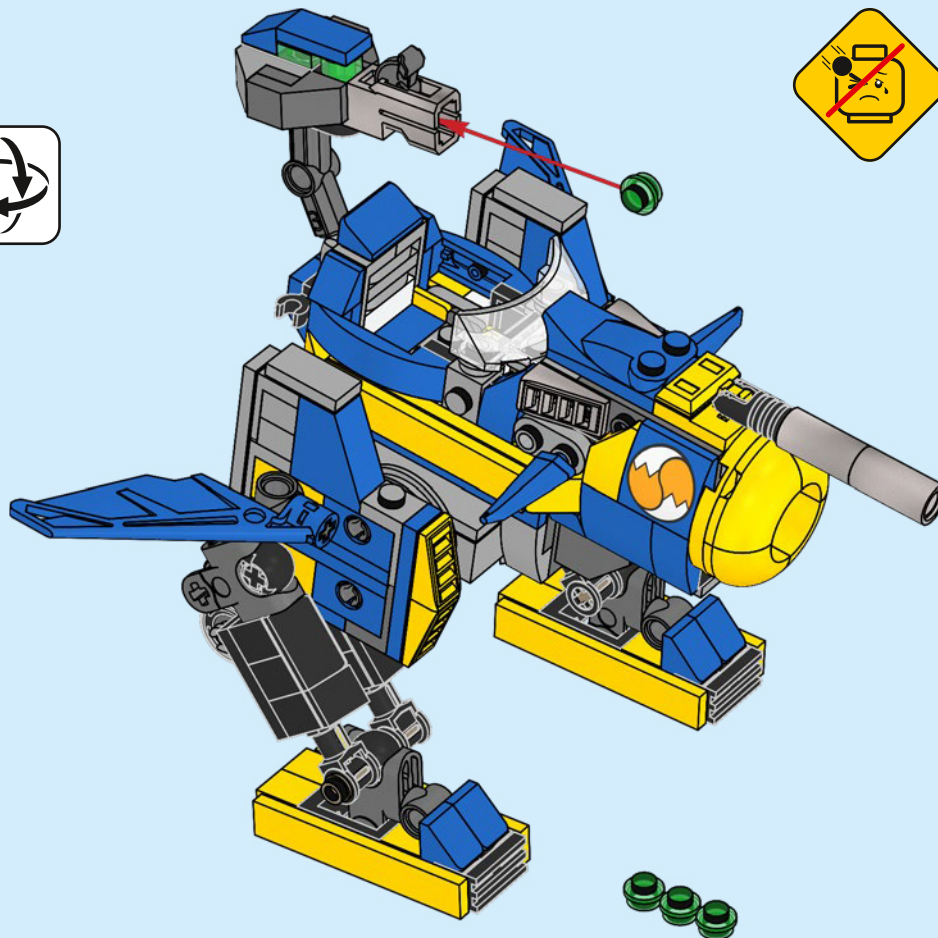
125

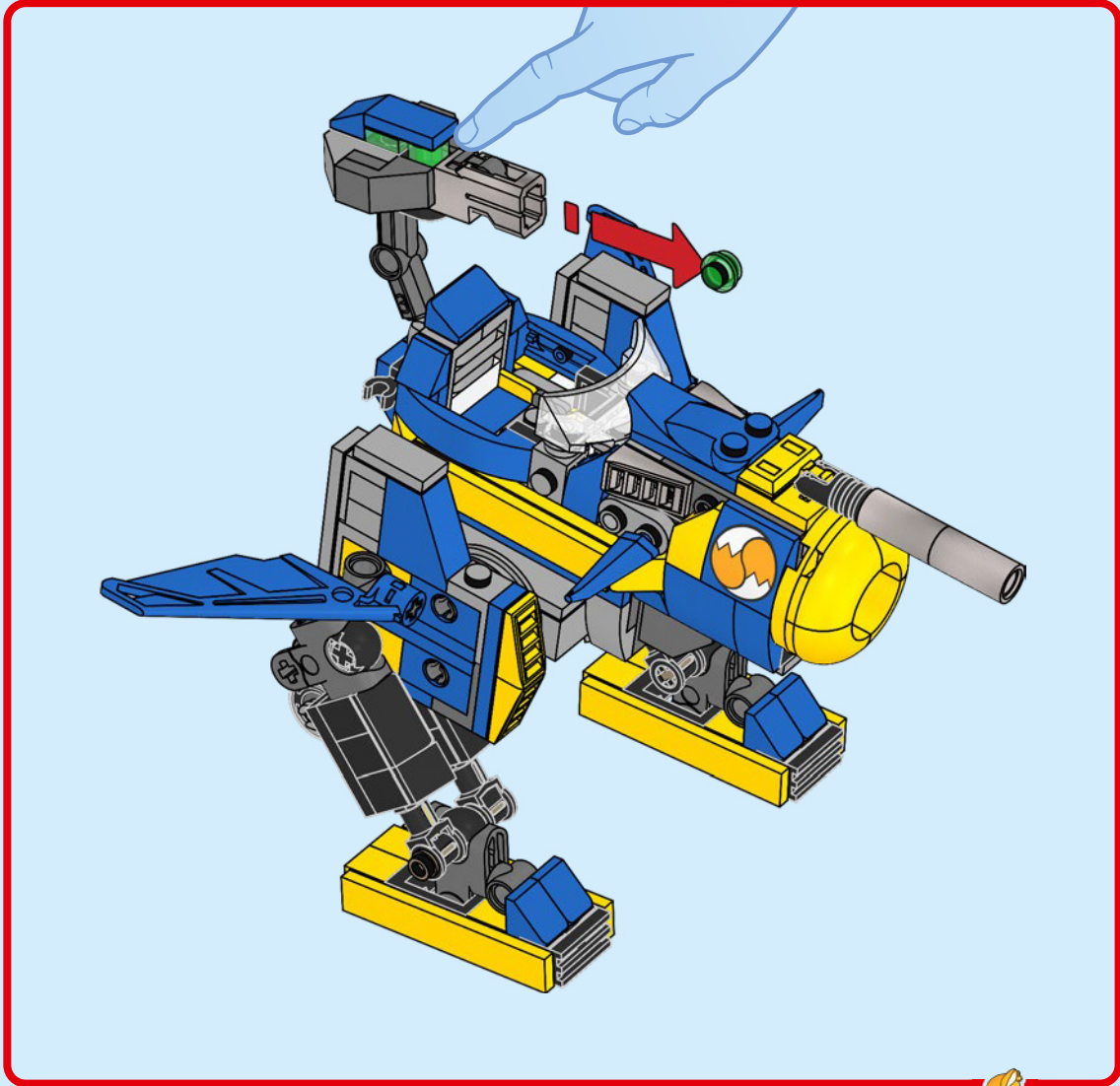


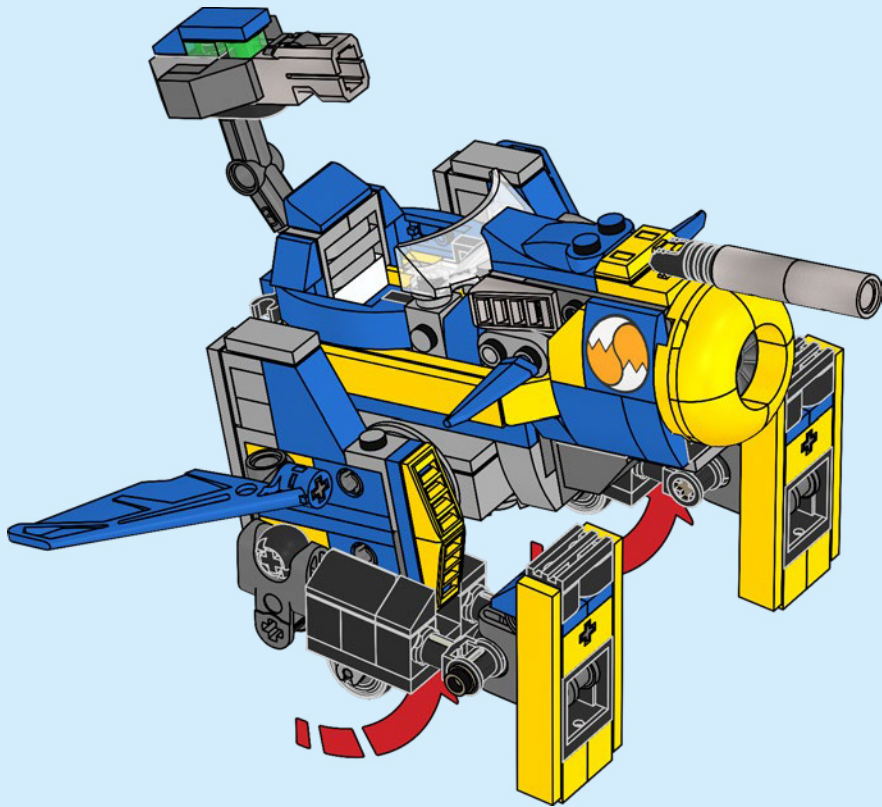


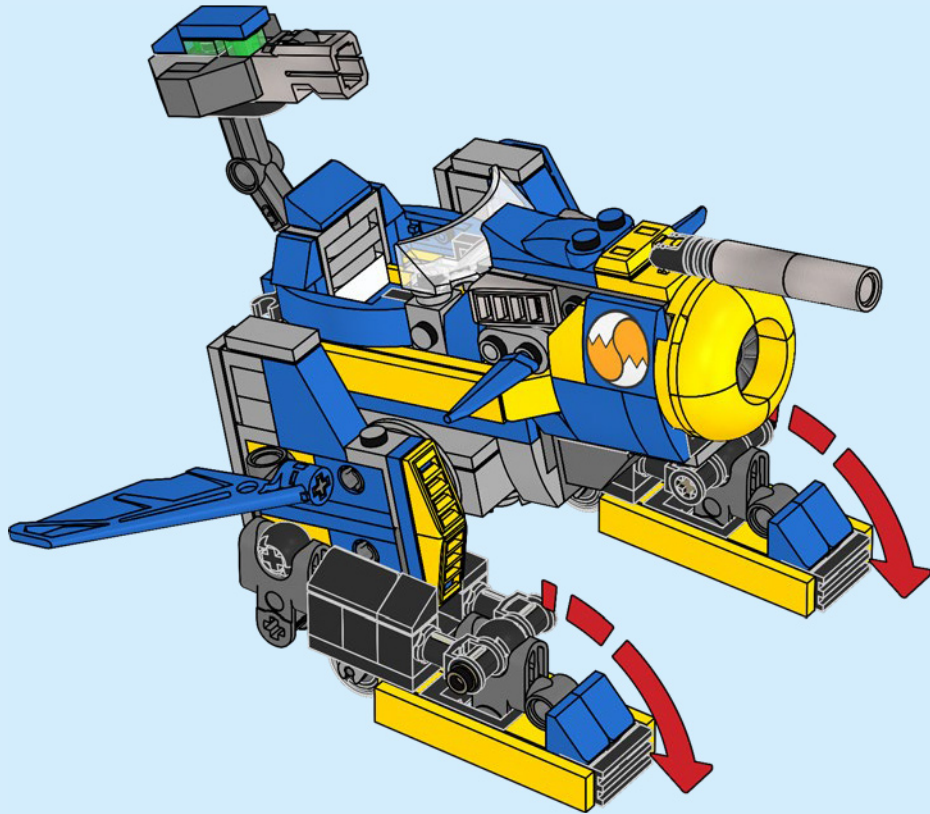
4x

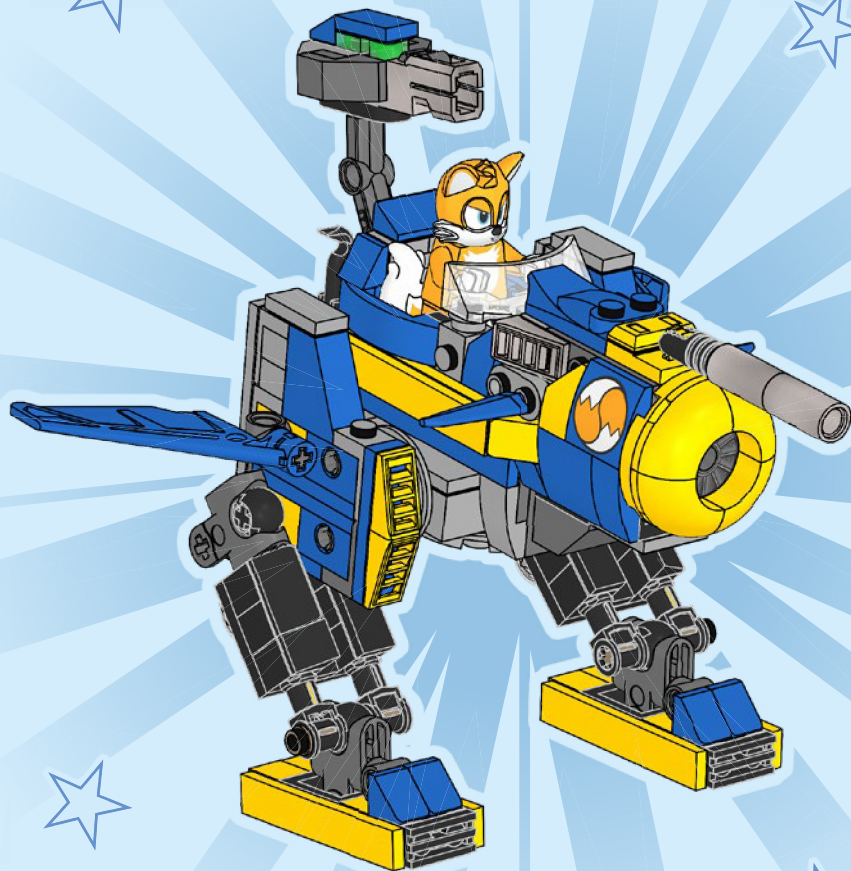
126

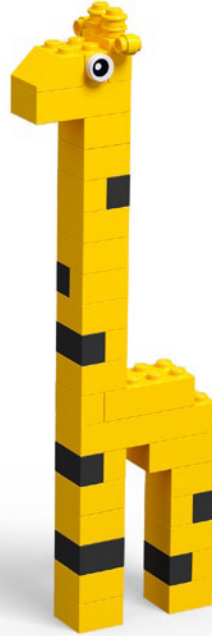












**Rebuild
the
World™**





SONIC™

THE HEDGEHOG



77002



77001



77003



EXPLORE MORE
DÉCOUVRIR PLUS
EXPLORAMÁS



7 LEGO.com/sonic

©SEGA. All rights reserved. SEGA is registered in the U.S. Patent and Trademark Office. SEGA and SONIC THE HEDGEHOG are either registered trademarks or trademarks of SEGA CORPORATION.





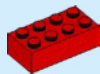
1x
6218823



2x
371001



1x
9551



1x
300121



1x
6399645



1x
6443193



6x
370023



5x
4504380



1x
4651236



2x
6228601



2x
6189189



4x
6069163



1x
6172414

66



1x
6172411



2x
6055065



2x
6116786



2x
6529782



2x
4649773



2x
302323



2x
306923



2x
362323



6x
371023



2x
4118785



4x
403223



1x
6529784



1x
6558938



1x
6529884



1x
6529884



2x
6529491



2x
6529490



1x
6529492



1x
4206482



1x
4206482



1x
6299413



4x
4624985



4x
6533524



6x
6206240



4x
6069170



1x
6289740



1x
6289743



6x
663624



2x
366624



4x
4558170



4x
6208753



1x
6410523



1x
6299764



1x
4515349



4x
4540384



4x
6271167



2x
6130008



1x
6437958



2x
4253815



12x
6344819



2x
4504382



2x
4548180



4x
4286267



2x
241226



4x
4558170



5



2x
6174917



4x
303426



4x
6424674



2x
6308000



2x
6458186



1x
6428168



1x
6382697



2x
6382697



1x
6186698



2x
4516843



4x
6279875



1x
6271535



4x
6331716



2x
6089119





2x
370626



1x
6369941



1x
6514234



1x
6513967



4x
6514057



1x
6247788



1x
6171727



2x
6353240



1x
6097503



1x
6452547



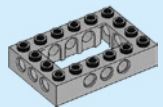
1x
6529883



1x
6443191



1x
4211186



1x
4211716



2x
6093859



4x
6028813



4x
6401023



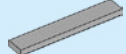
2x
4211414



1x
6212077



2x
4560183



2x
4211549



2x
4211452



10x
6362975



2x
6248078



1x
6043656



1x
6132886



1x
6469440



2x
6168647



9x
6248890



2x
6167798



2x
6321198



1x
6443149



1x
6307931



2x
6514550



2x
6031821



2x
4211095



2x
6168776



1x
4211000



2x
4210719



4x
4210635



10x
6336390



2x
6118832



1x
6117346



2x
6005463



4x
6005331



1x
6366184



1x
6360675



2x
6261374



2x
6369944



4x
6360824



1x
6167576



2x
6167922



2x
6245499



1x
6345950



LEGO.com/service

YOU COULD **WIN**



Scan this QR code or go to **LEGO.COM/PRODUCTFEEDBACK** and give us your short feedback about this LEGO® set for a chance to win a cool LEGO prize.

Terms and Conditions apply*

EN: YOU COULD WIN. Terms and Conditions apply* **DE: Du könntest GEWINNEN.** Es gelten die Teilnahmebedingungen* **FR: Tu pourrais GAGNER.** Des conditions s'appliquent* **IT: Potresti VINCERE tu.** Termini e condizioni sono applicabili* **ES: Puedes GANAR.** Aplican términos y condiciones* **PT: Poderá GANHAR.** Aplicam-se termos e condições* **ZH: 轻松获奖. 条款和条件适用*** **PL: Szansa na WYGRANĄ.** Obowiązują warunki korzystania* **CS: Máte šanci VYHRÁT.** Platí všeobecné smluvní podmínky* **SK: Máte šancu VYHRAŤ.** Platia všeobecné zmluvné podmienky* **HU: TE IS NYERHETSZ.** Felhasználási feltételek érvényesek* **RO: Ai putea CÂȘTIGA.** Se aplică termeni și condiții* **BG: Можете да СПЕЧЕЛИТЕ.** Има определени правила и условия* **LV: Tu vari LAIMĒT.** Ir spēkā noteikumi un nosacījumi.* **ET: Sul on võimalus VÕITA.** Kehtivad tingimused* **LT: Jūs galite LAIMĖTI.** Taikomos sąlygos*

*[LEGO.com/productfeedback-terms](https://www.lego.com/productfeedback-terms)

LEGO and the LEGO logo are trademarks of the/son des marques de commerce du/son marcas registradas de LEGO Group. ©2025 The LEGO Group.

©SEGA. All rights reserved. SEGA is registered in the U.S. Patent and Trademark Office.
SEGA and SONIC THE HEDGEHOG are either registered trademarks or trademarks of SEGA CORPORATION.

6571442