



TECHNIC™

42199



LEGO® Builder



Get excited about our new packaging!

We're switching from plastic to paper-based packaging. That's why you might find a mix of paper and plastic in our boxes!

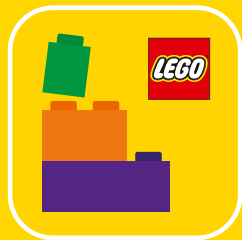
Nos nouveaux emballages vous emballeront !

Nous passons des emballages en plastique aux emballages à base de papier. C'est pourquoi vous pourriez trouver un mélange de papier et de plastique dans nos boîtes !

¡Te presentamos nuestros nuevos empaques!

Estamos sustituyendo las bolsas de plástico por bolsas con base de papel. ¡Por eso, puedes encontrar una mezcla de papel y de plástico en nuestras cajas!

[LEGO.com/sustainable-packaging](https://www.lego.com/sustainable-packaging)



Q LEGO® Builder

BUILDER

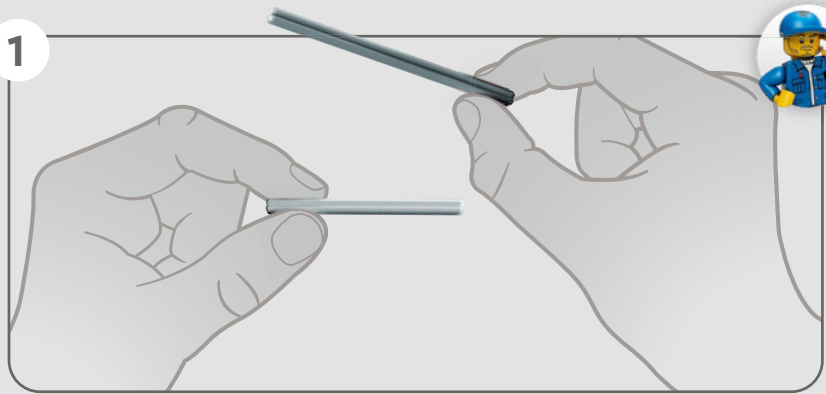


Apple and the Apple logo are trademarks of Apple Inc., registered in the U.S. and other countries and regions. App Store is a service mark of Apple Inc. Google Play and the Google Play logo are trademarks of Google LLC. Tencent and the Tencent logo are trademarks of Tencent Inc.

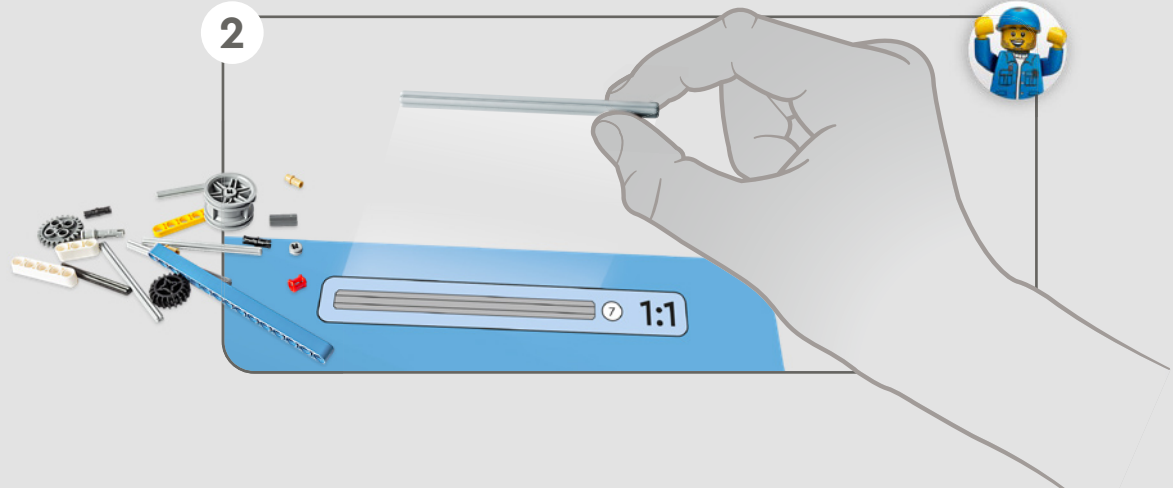
Q LEGO.com/devicecheck

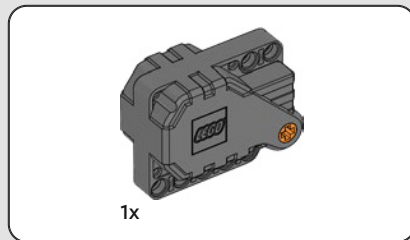
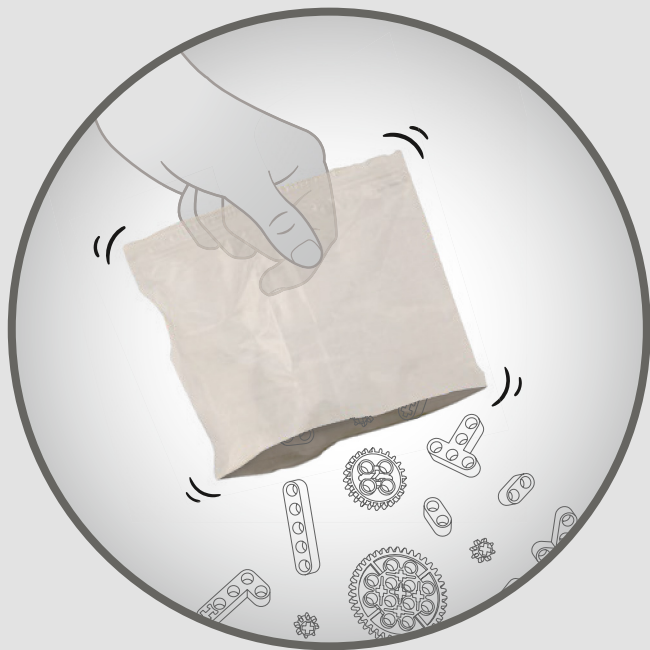
EN Ask parents' permission before going online | DE Eltern um Erlaubnis bitten, bevor du online gehst | FR Demande l'autorisation d'un parent avant d'aller en ligne | IT Chiedi il permesso ai tuoi genitori prima di andare online | ES Pídeles permiso a tus papás antes de conectarte a Internet | PT Pede autorização aos pais antes de acederes online | ZH 上网前应先征得父母的同意 | PL Poproś rodziców o zgodę, zanim wejdiesz do Internetu | CS Než půjdeš na internet, požádej rodiče o svolení | SK Skôr než pôjdeš na internet, vypýtaj si povolenie od rodičov | HU Kérj szülői engedélyt, mielőtt online csatlakoznál! | RO Cere permisiunea părinților înainte de a te conecta online | BG Поискайте разрешение от родител, преди да влезете онлайн | LV Pirms došanās tiešsaistē palūdz atļauju vecākiem | ET Enne Interneti kasutamist küsi vanematelt luba | LT Prieš prisijungdami prie interneto, atsiklauskite tėvų

1

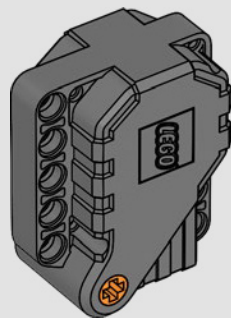


2





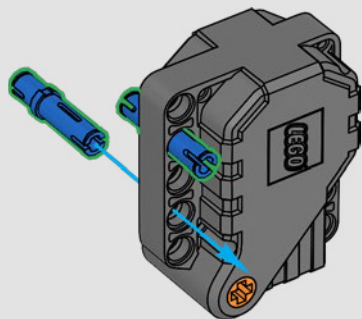
1





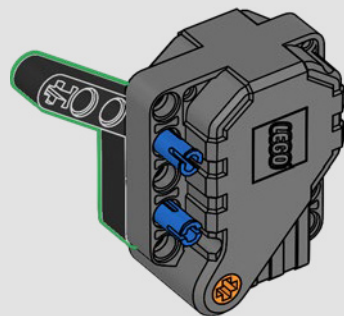
2x

2



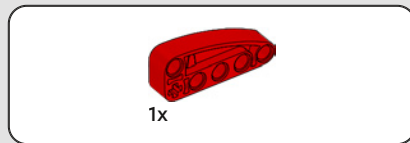
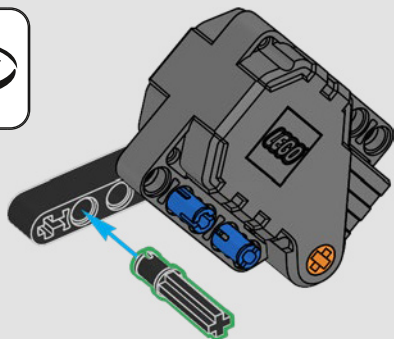
1x

3

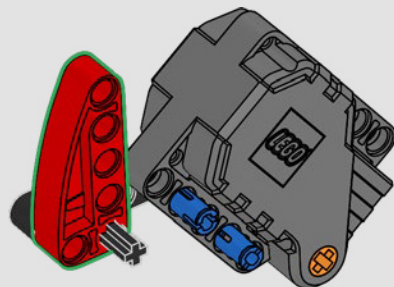


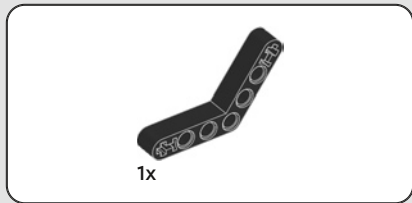


4

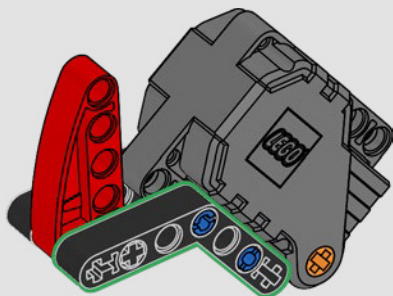


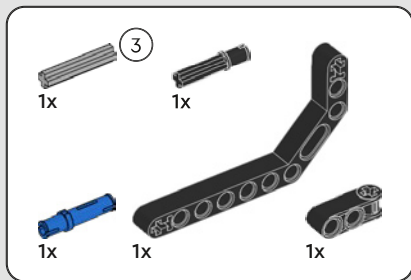
5





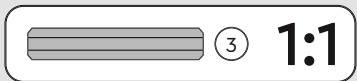
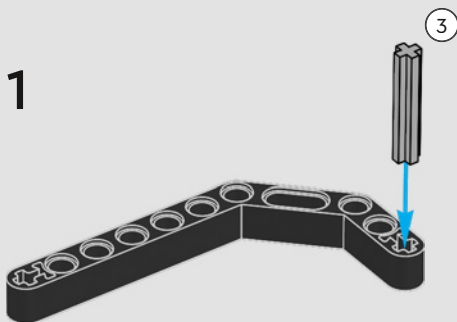
6



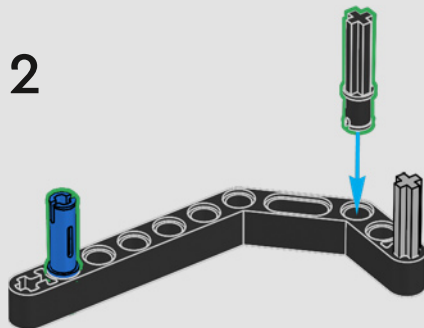


7

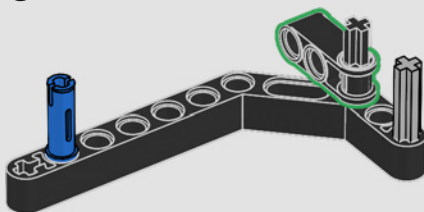
1

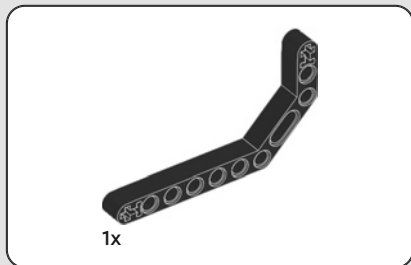
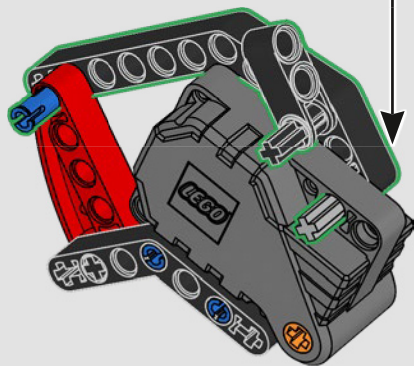


2

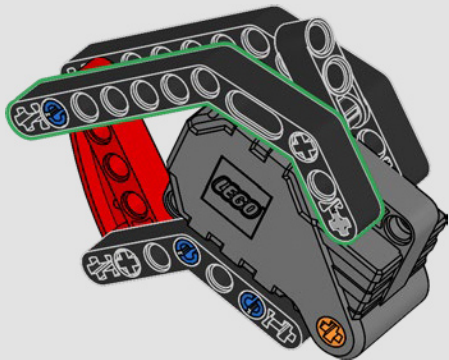


3





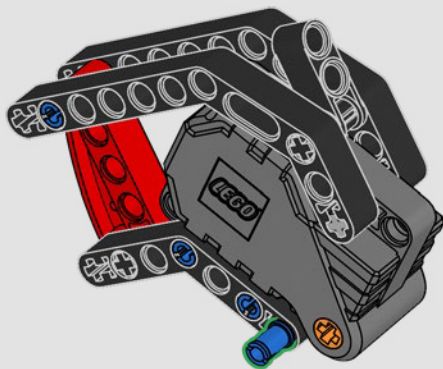
8





1x

9

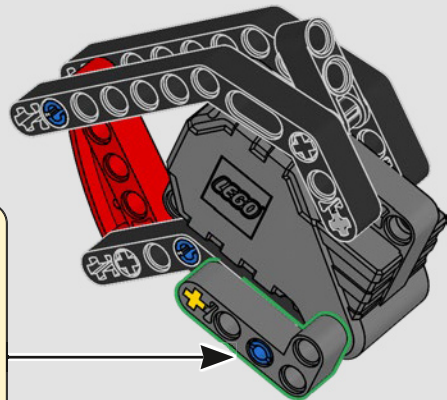


1x

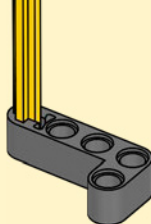


1x

10



5



5

1:1

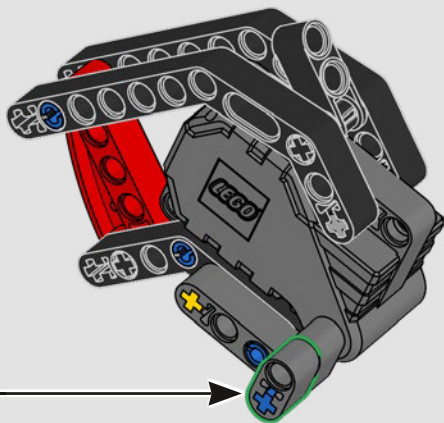
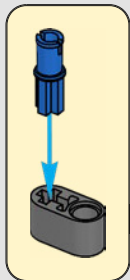


1x



1x

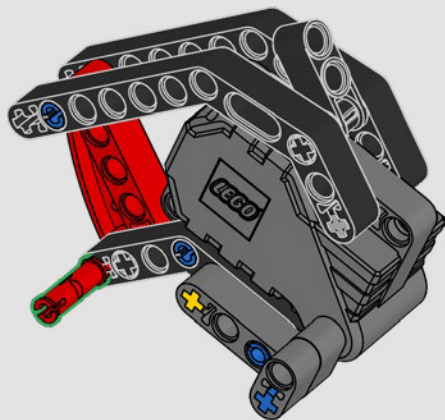
11





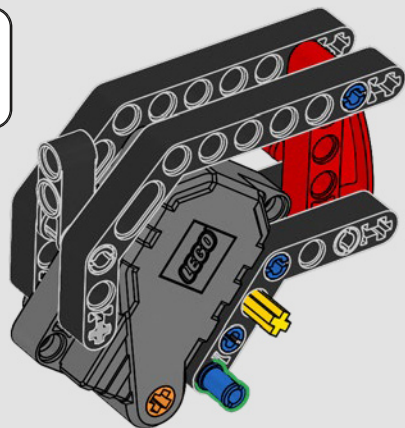
1x

12



1x

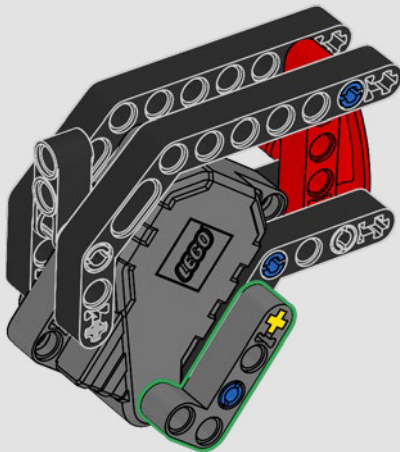
13





1x

14



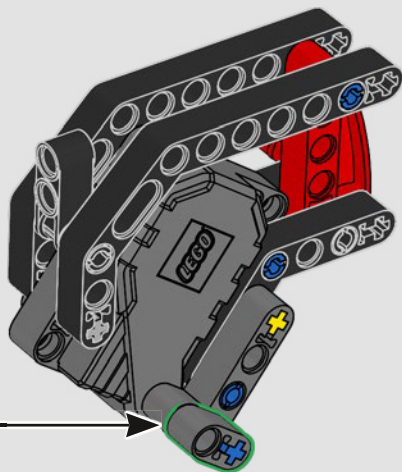
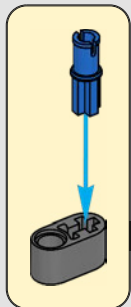


1x



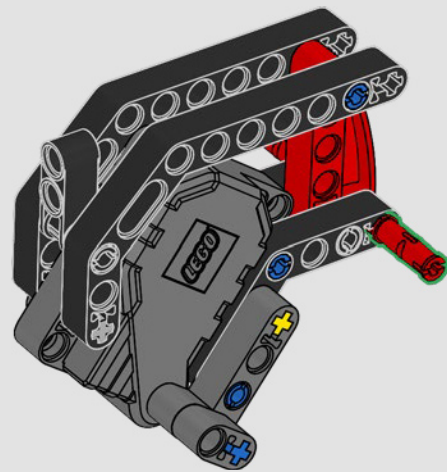
1x

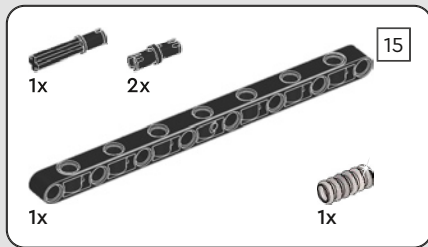
15



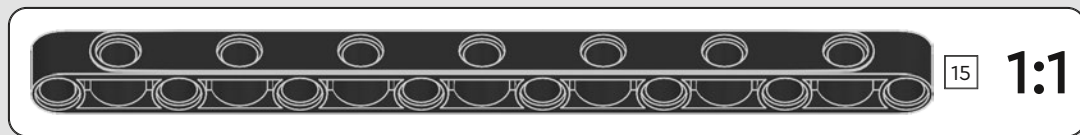
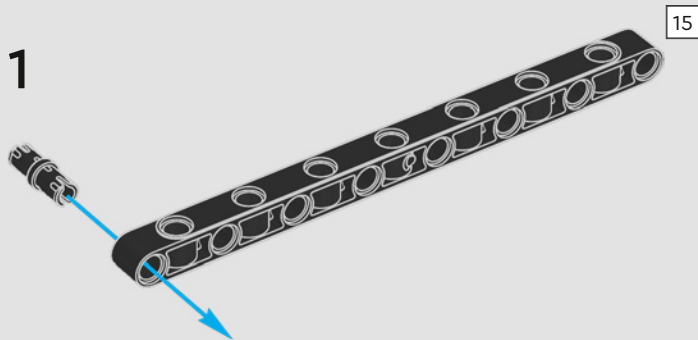
1x

16

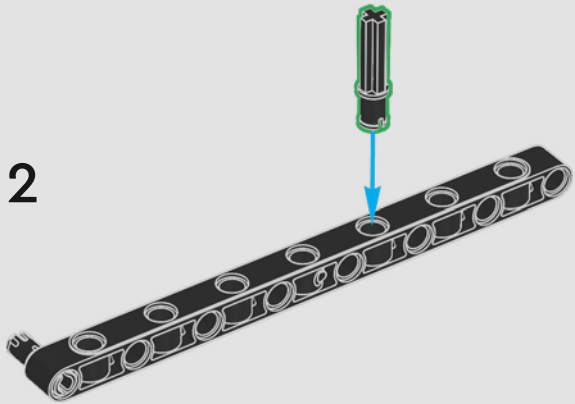




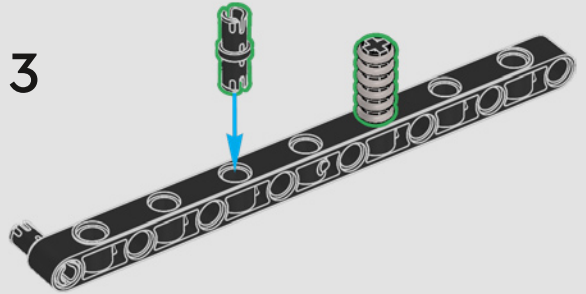
17

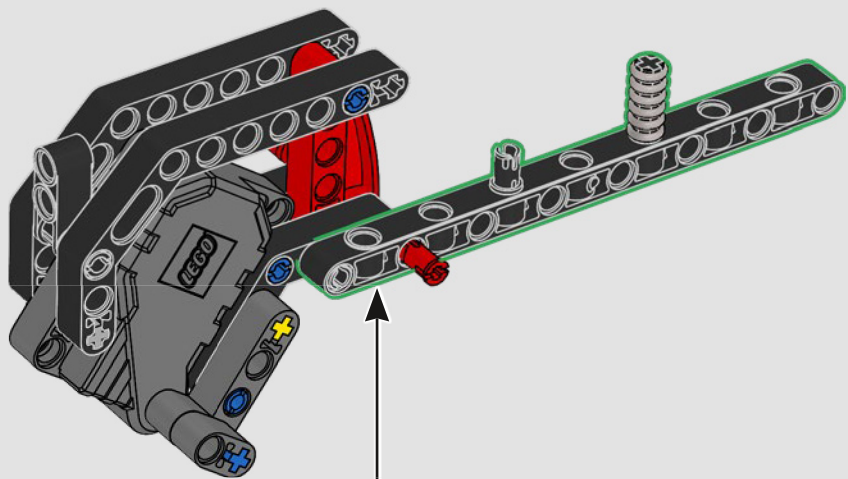


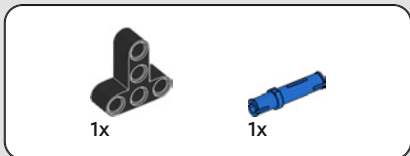
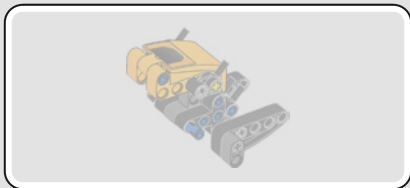
2



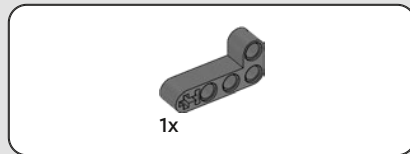
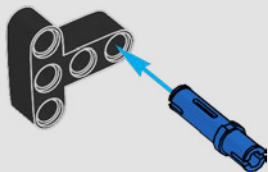
3



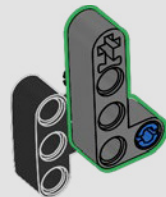




18



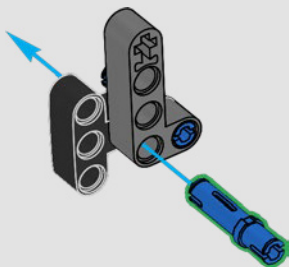
19





1x

20





1x



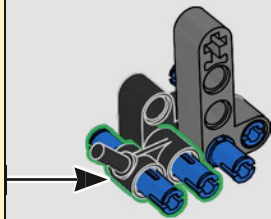
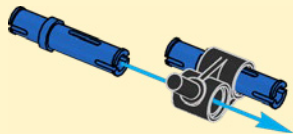
2x

21

1



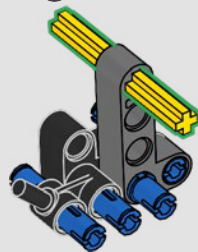
2



1x

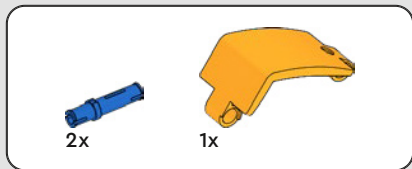
22

5

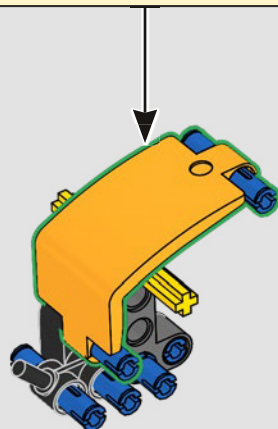
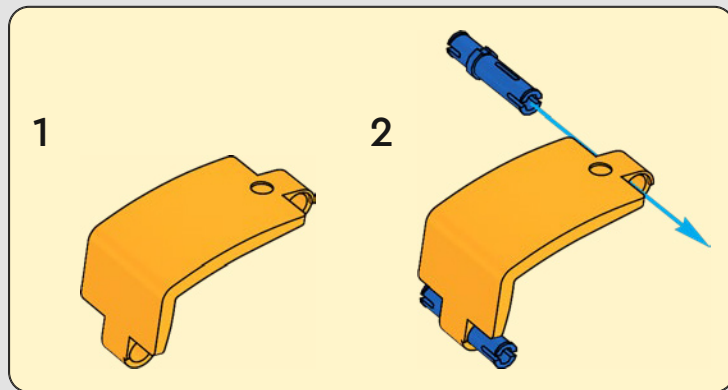


5

1:1



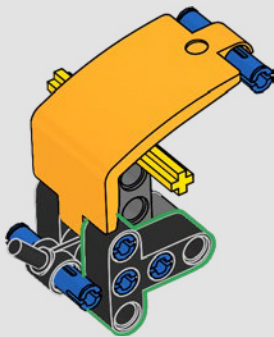
23





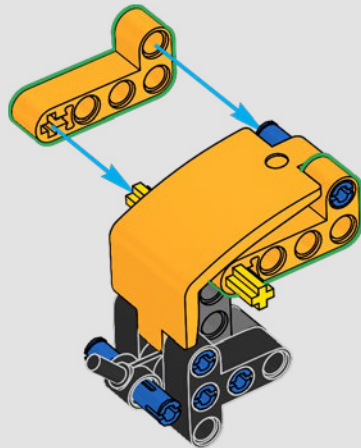
1x

24

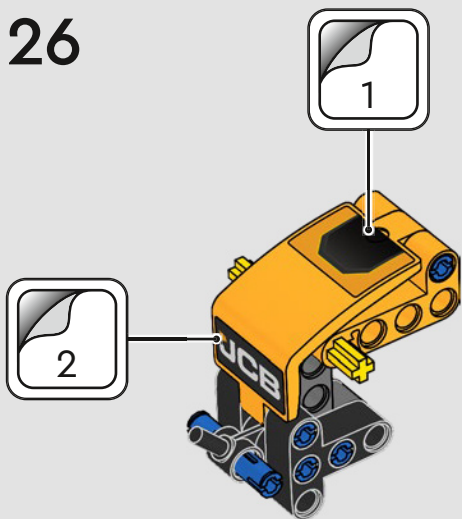


2x

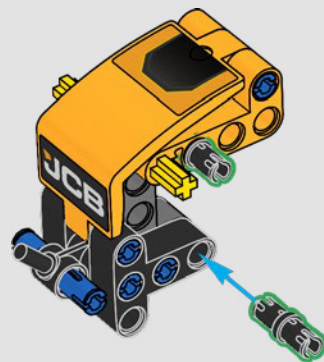
25



26



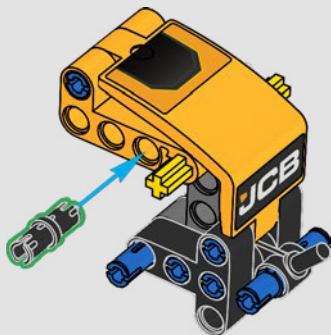
27





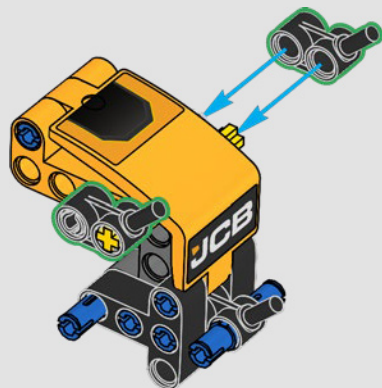
1x

28



2x

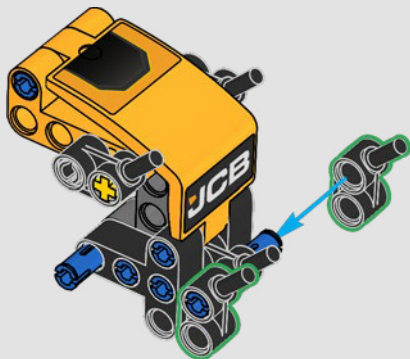
29

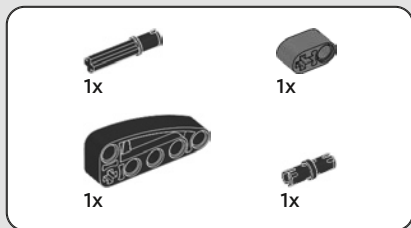




2x

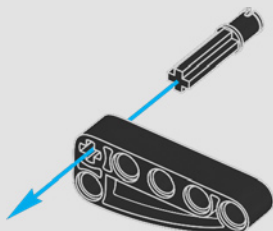
30



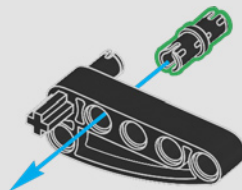


31

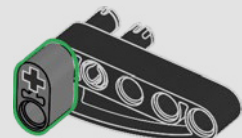
1

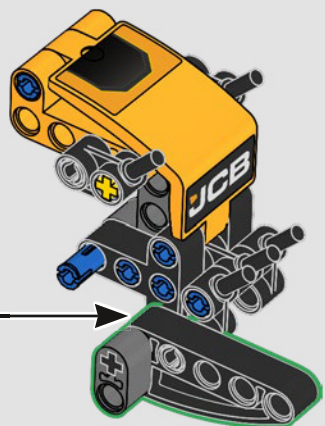


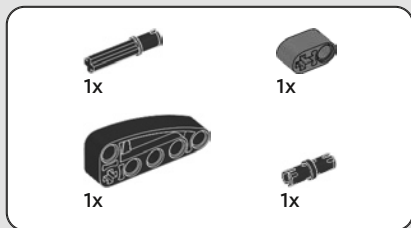
2



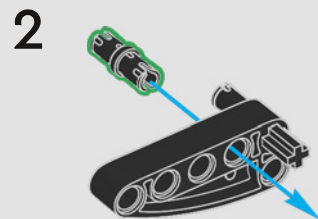
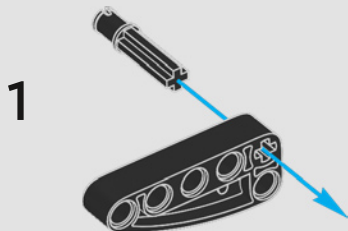
3

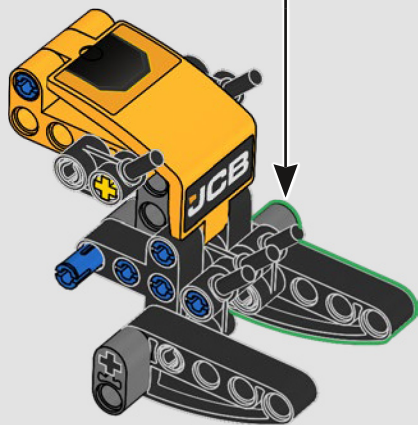




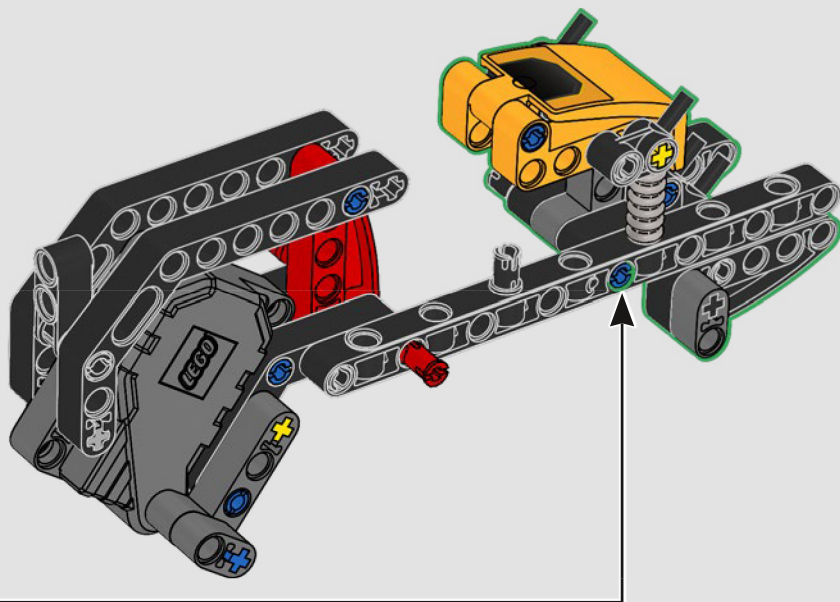


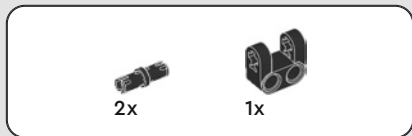
32



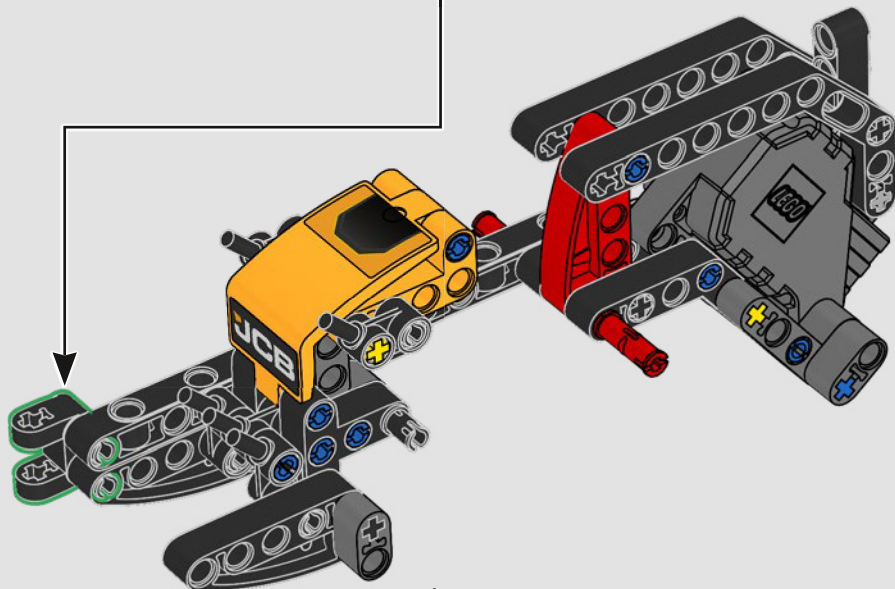
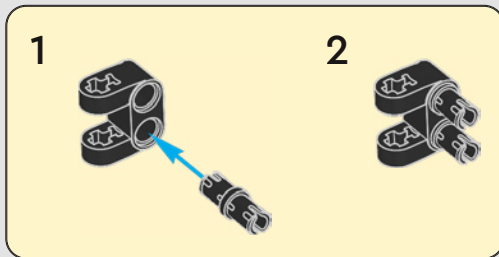


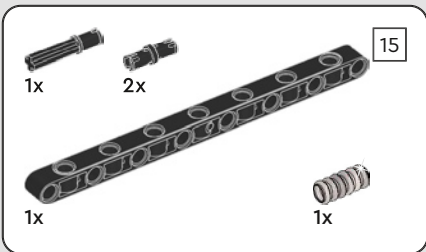
33





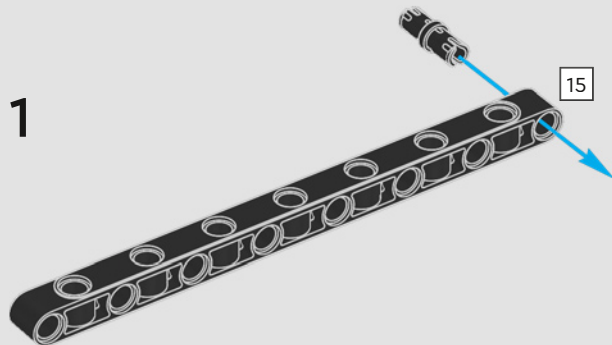
34



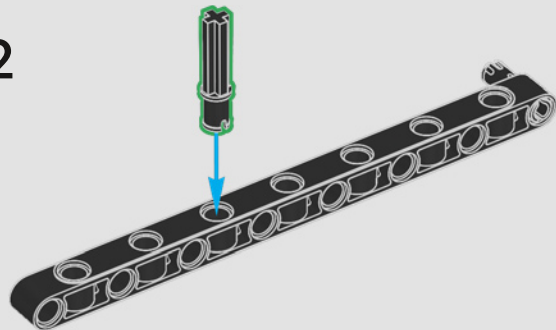


35

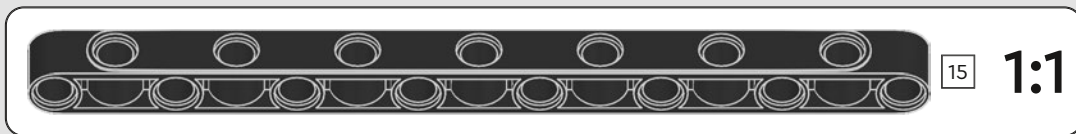
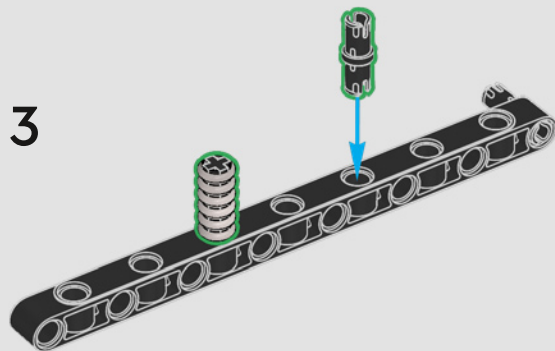
1

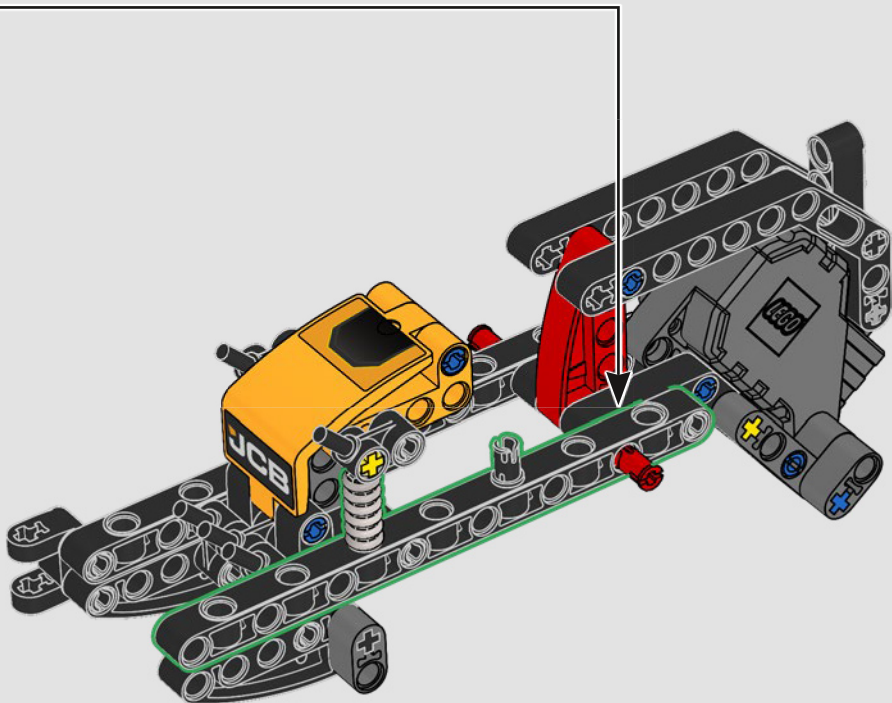


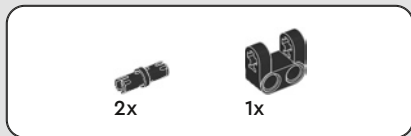
2



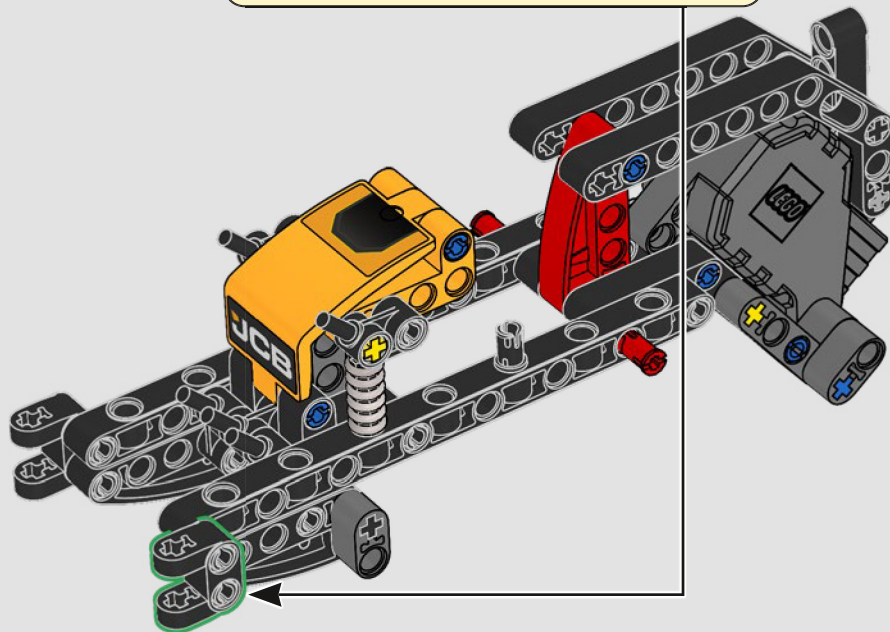
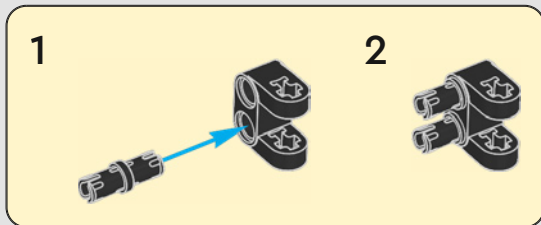
3







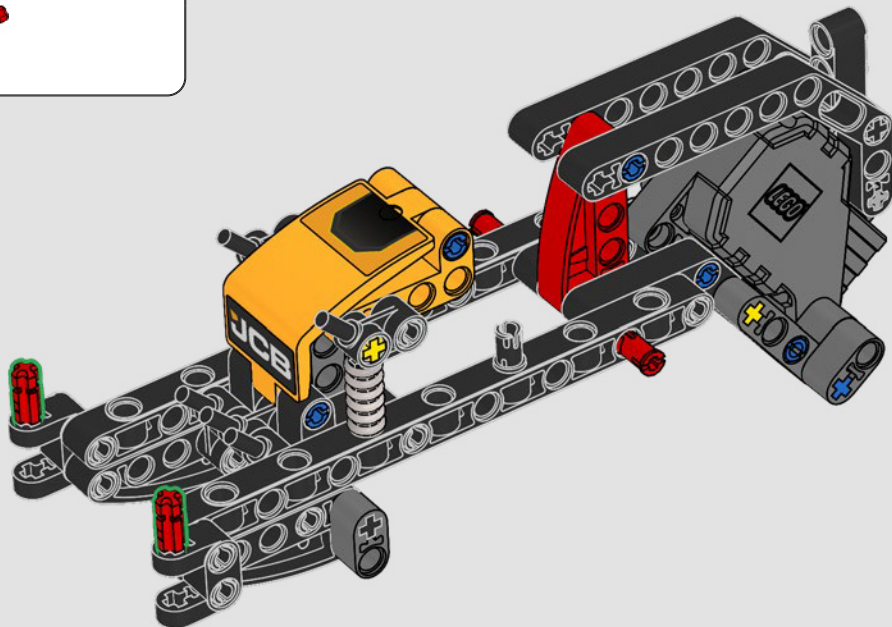
36

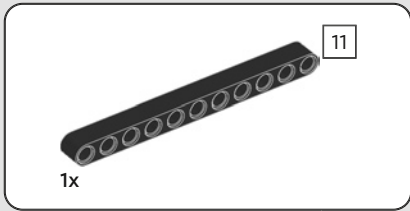




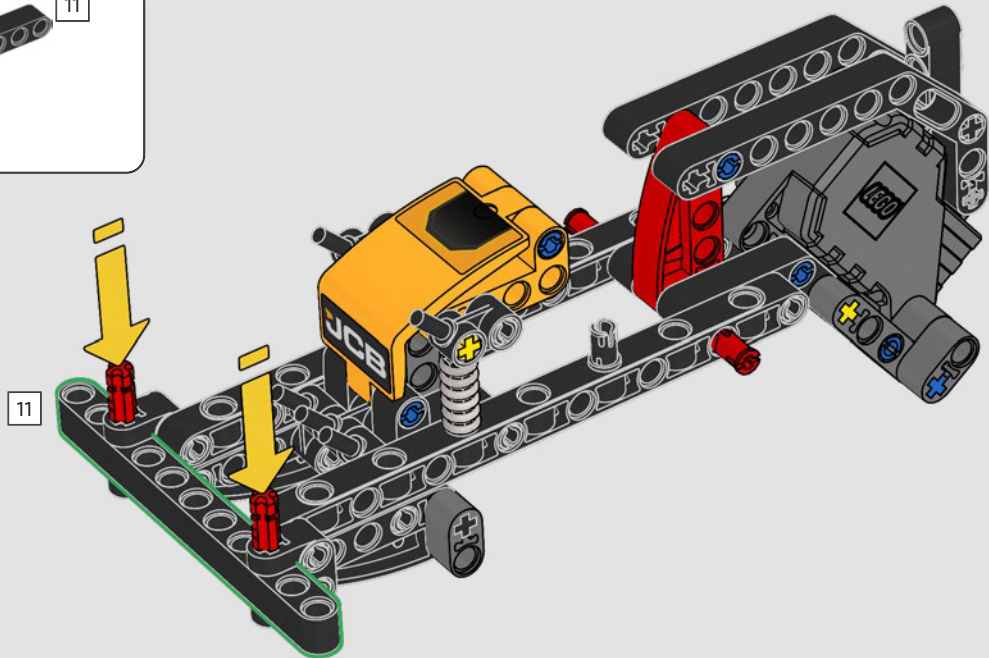
2x

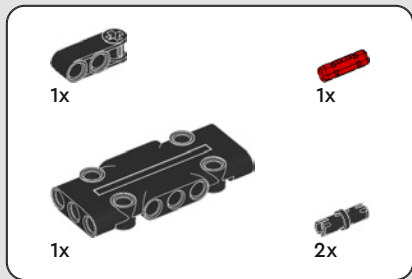
37



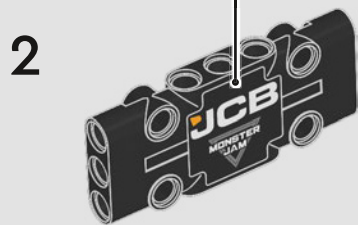
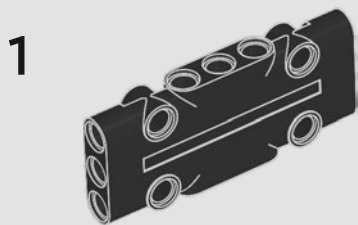


38

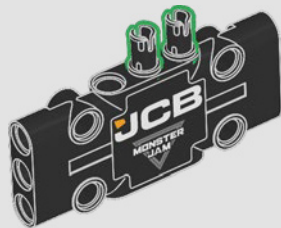




39



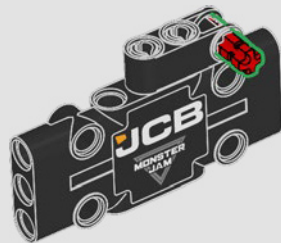
3

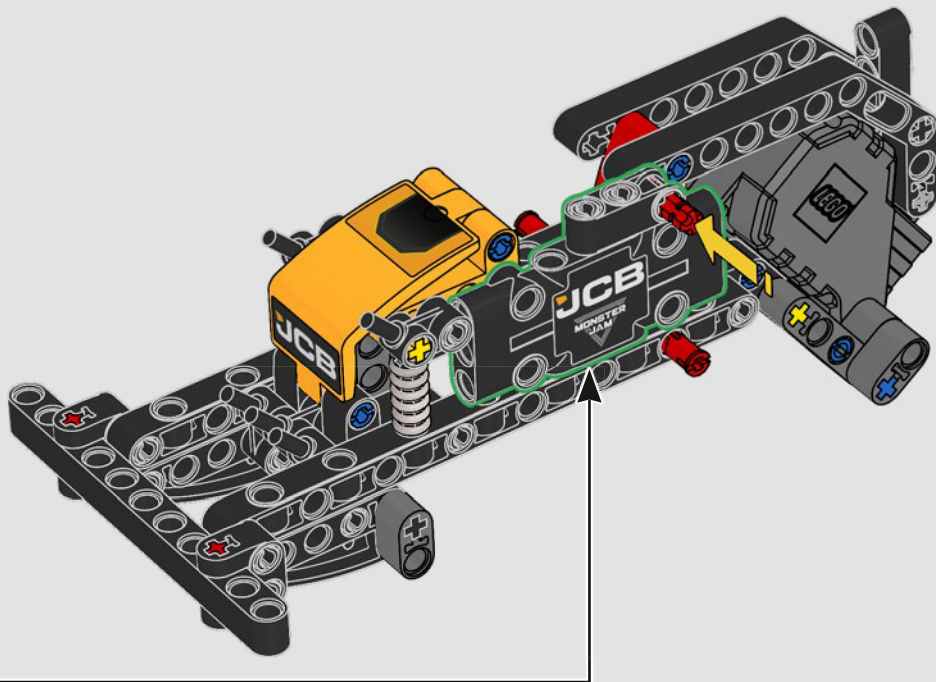


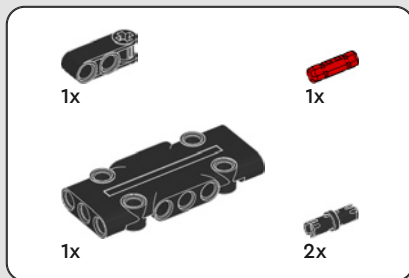
4



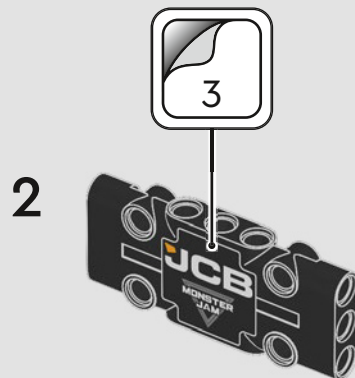
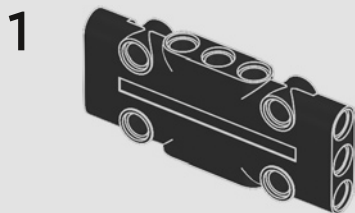
5



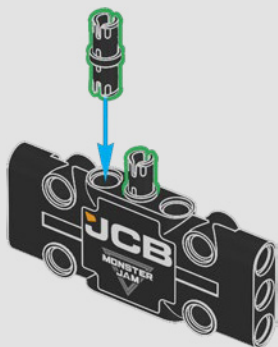




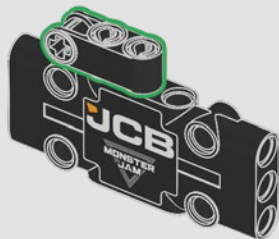
40



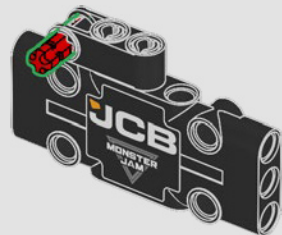
3

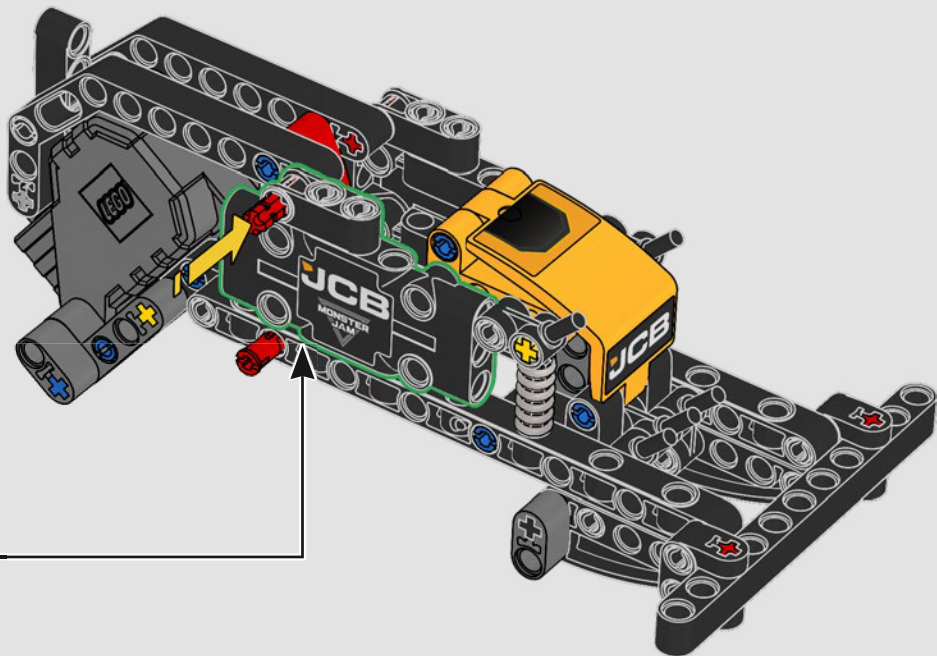


4



5







2x



4x



2x



2x



2x



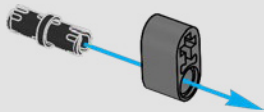
2x



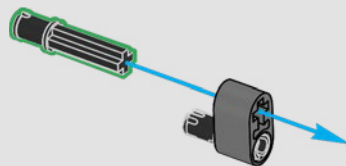
2x

41

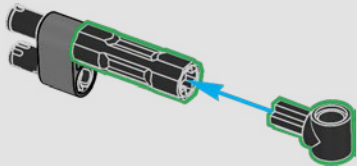
1



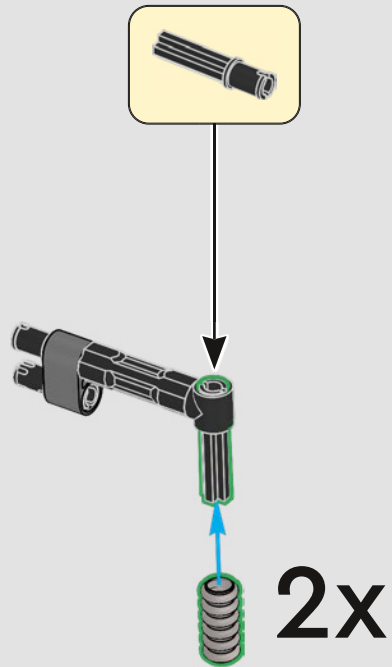
2

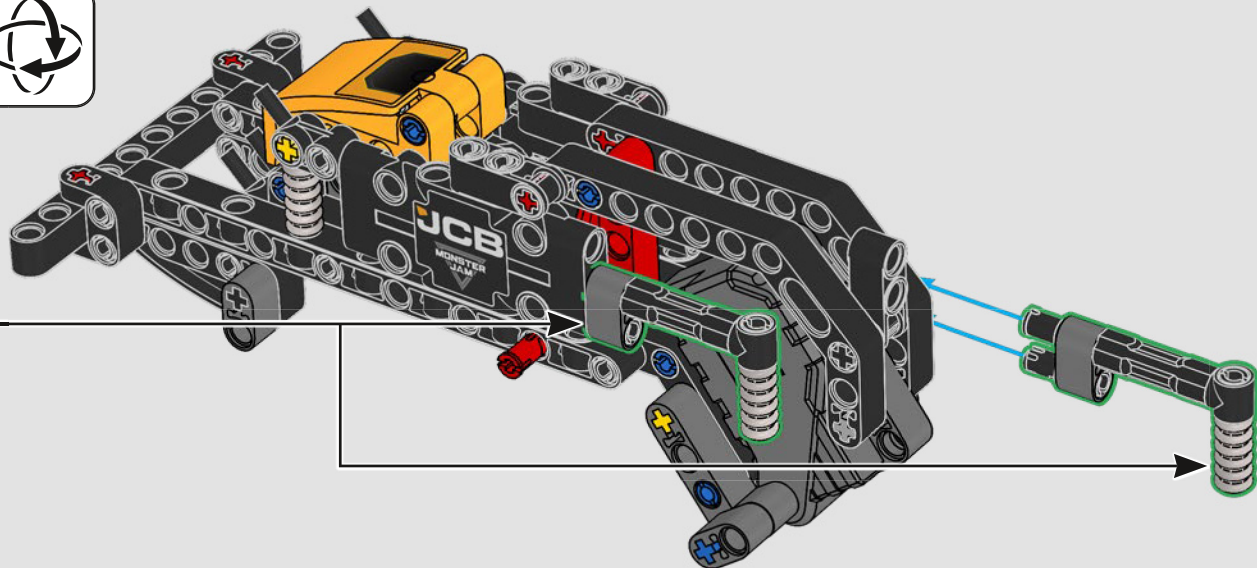


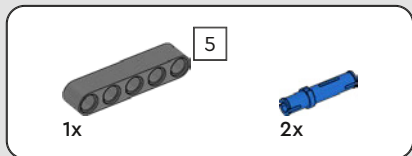
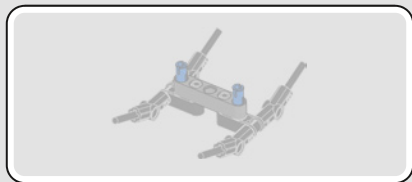
3



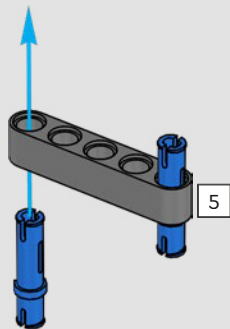
4



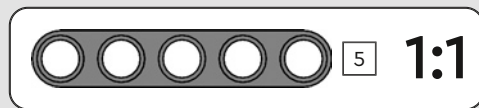
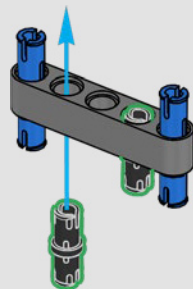


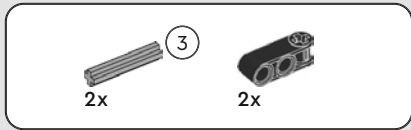


42

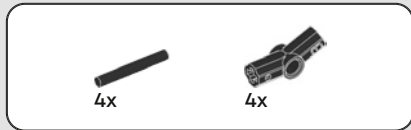
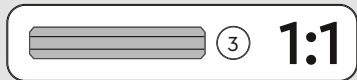
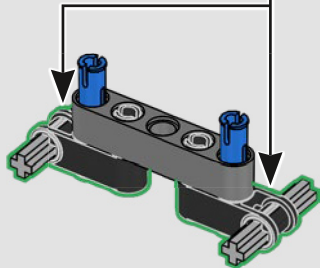
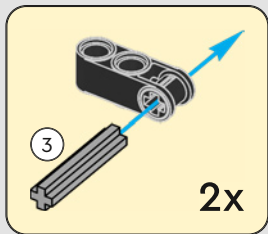


43

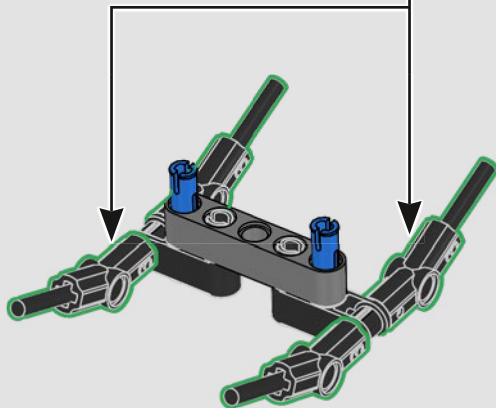
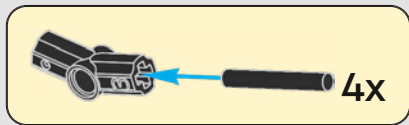




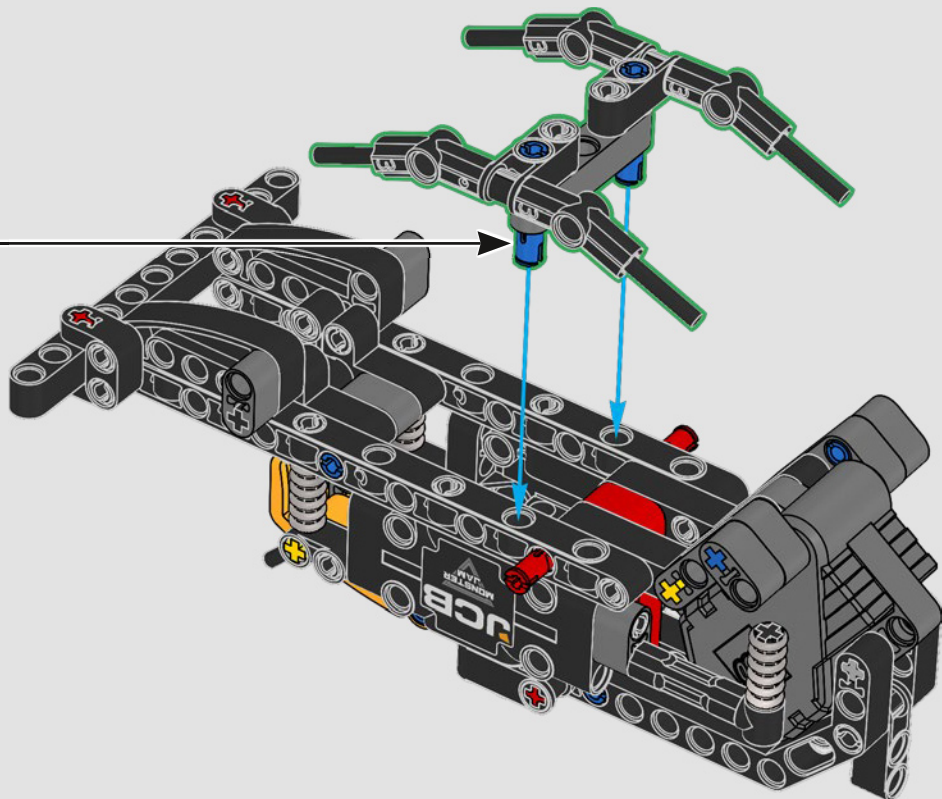
44



45



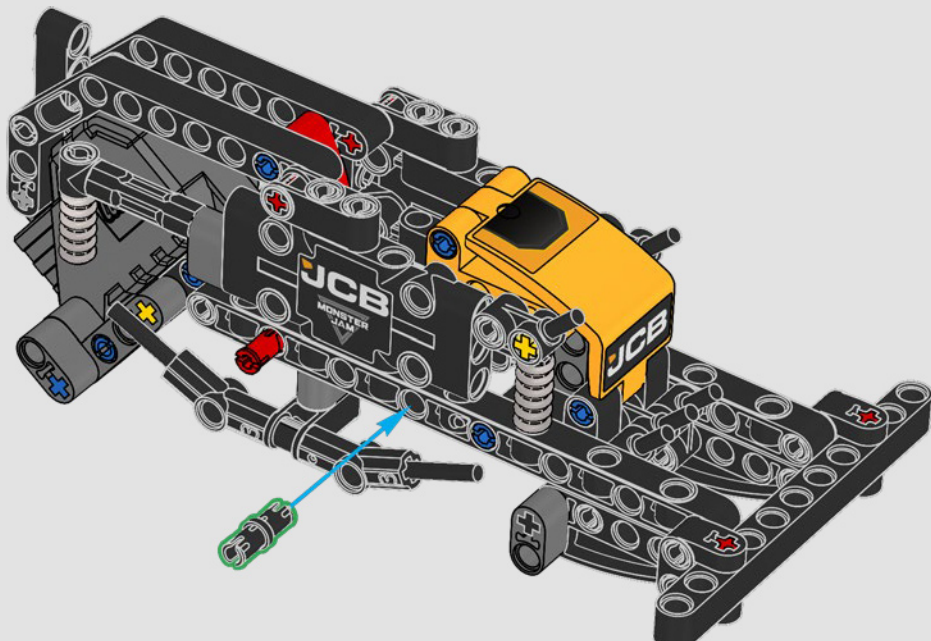
46

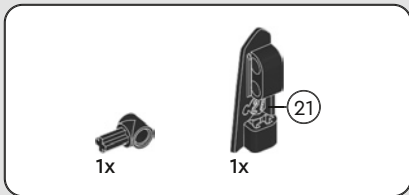




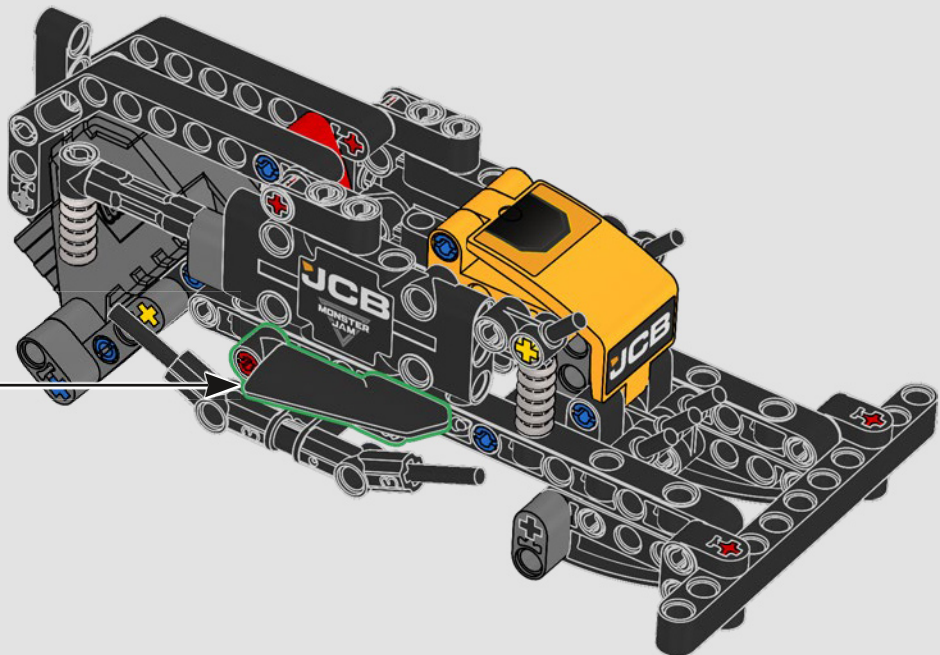
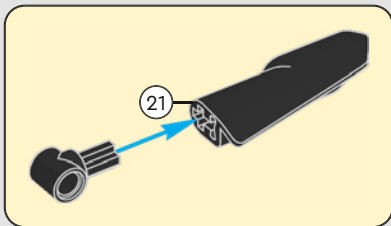
1x

47





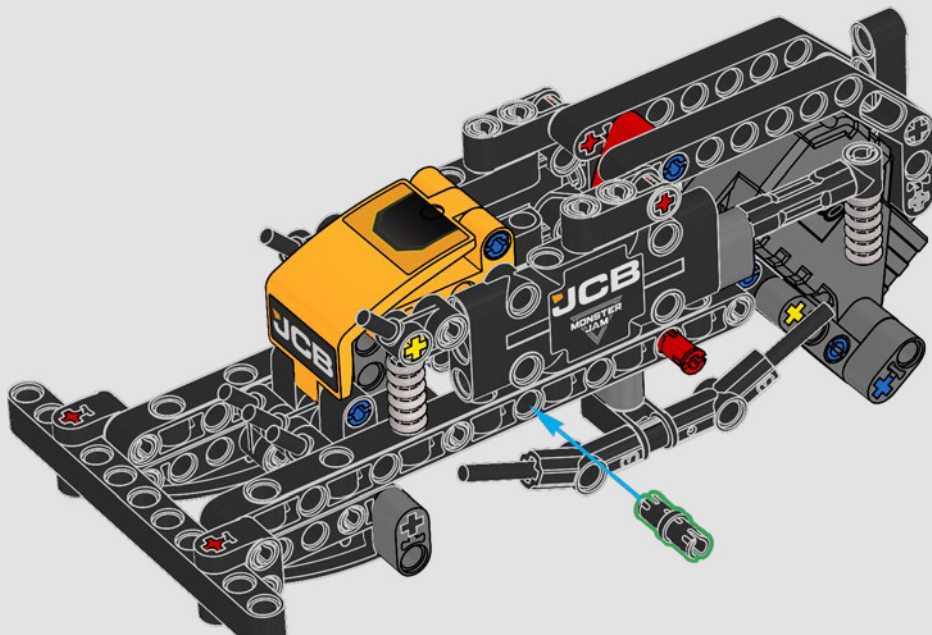
48

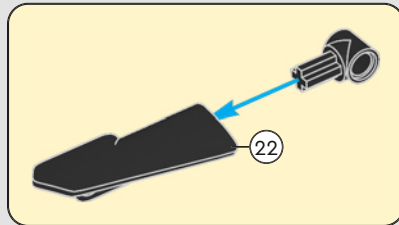
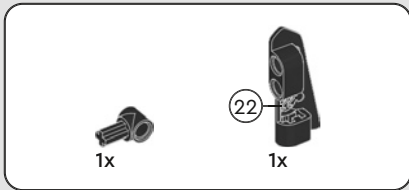




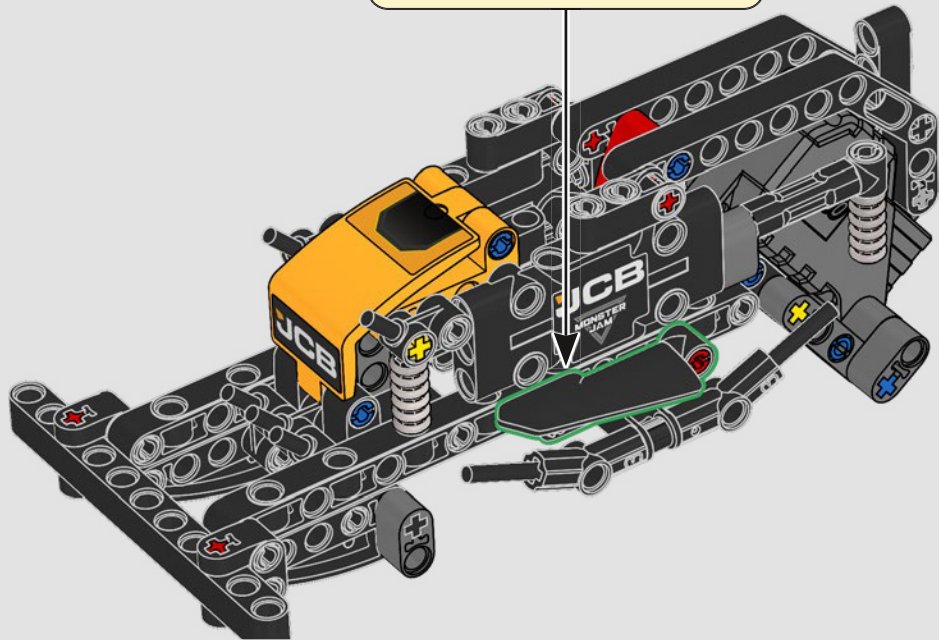
1x

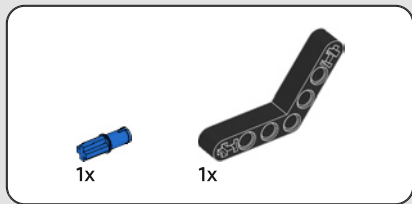
49



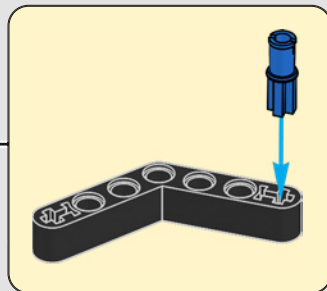
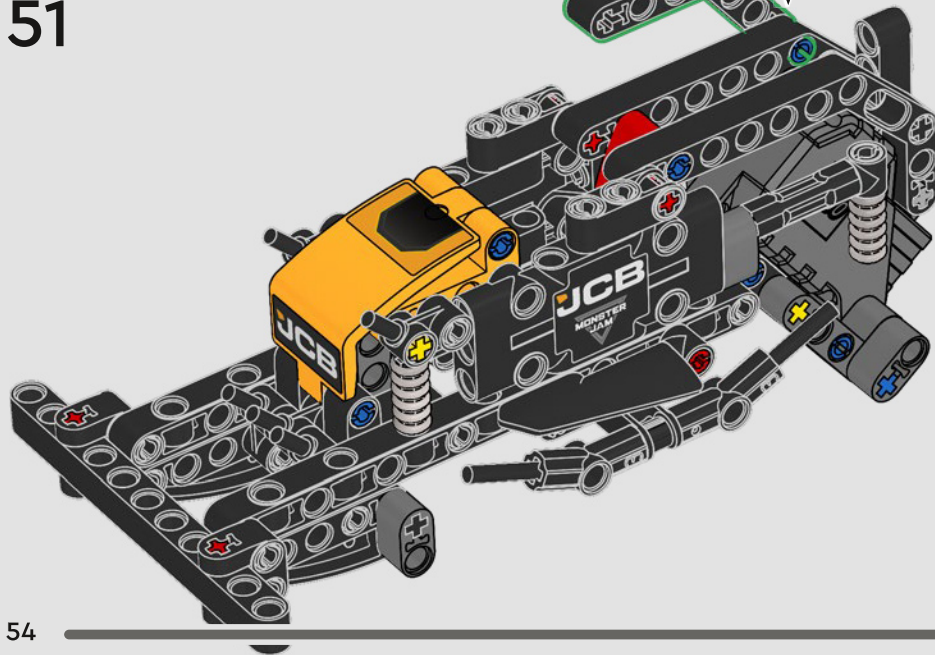


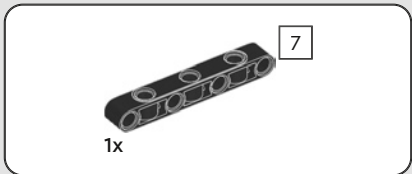
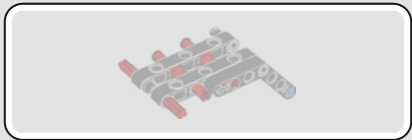
50



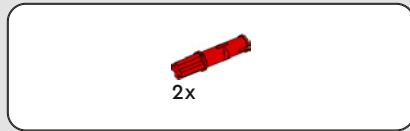
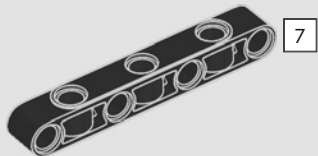


51

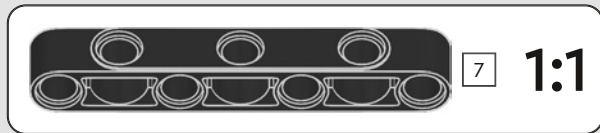
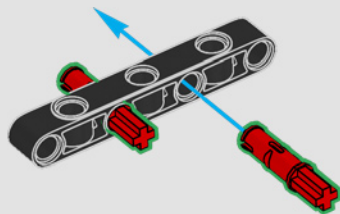




52



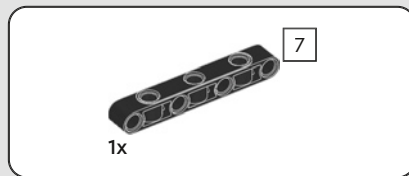
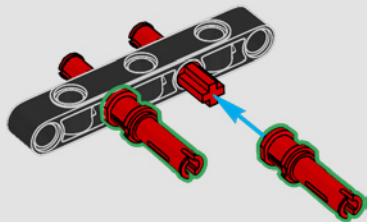
53



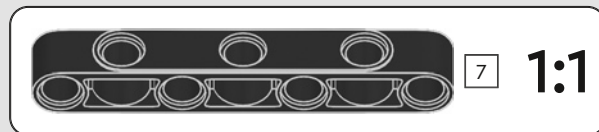
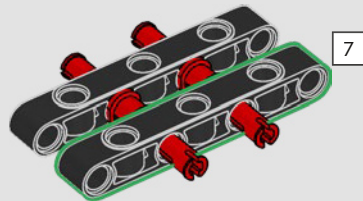


2x

54



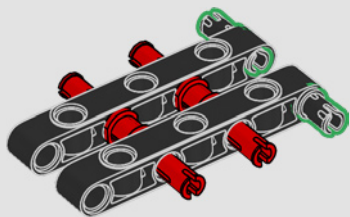
55





2x

56

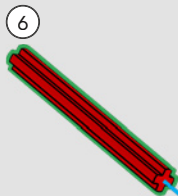


1x

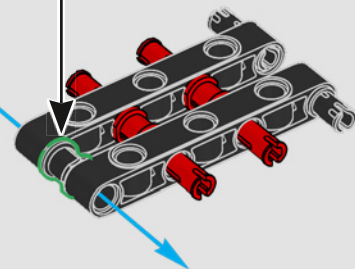


1x

57

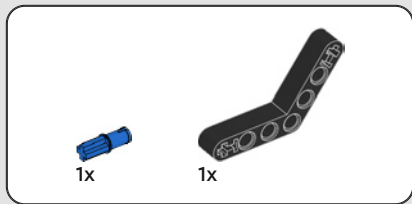


6

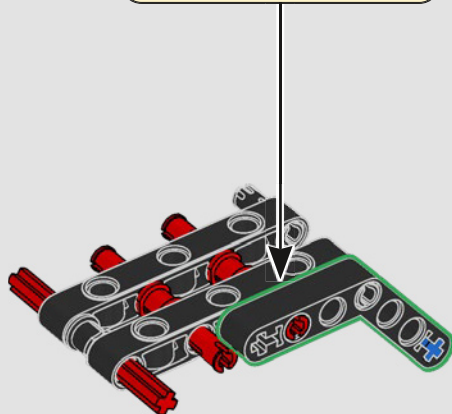
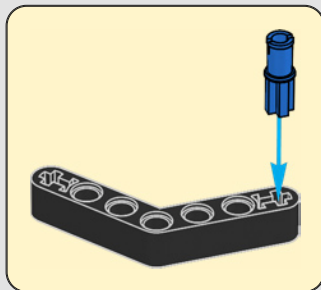


6

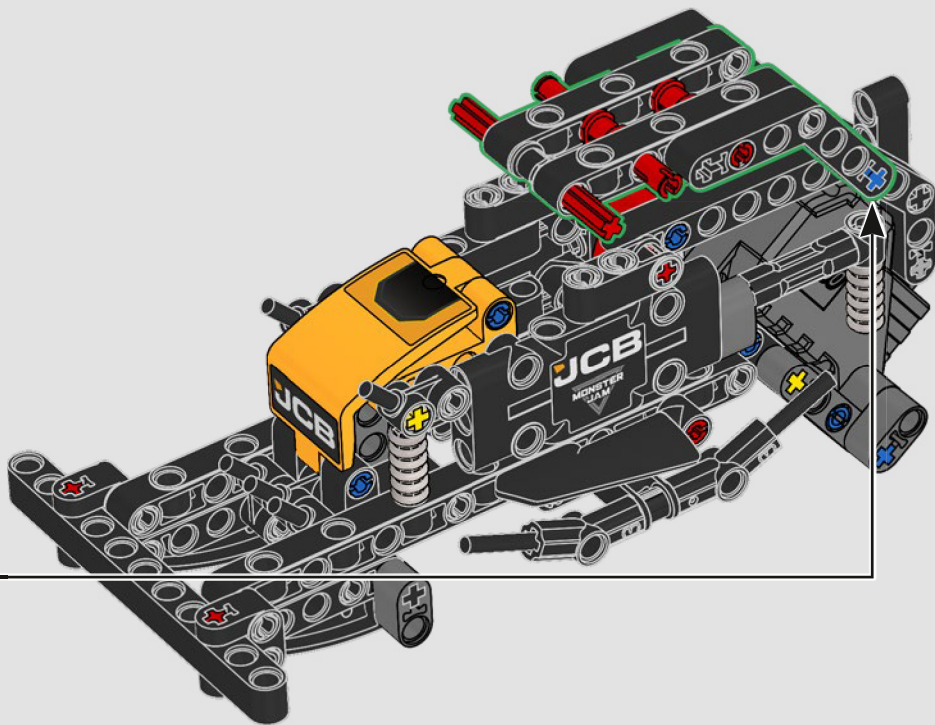
1:1



58



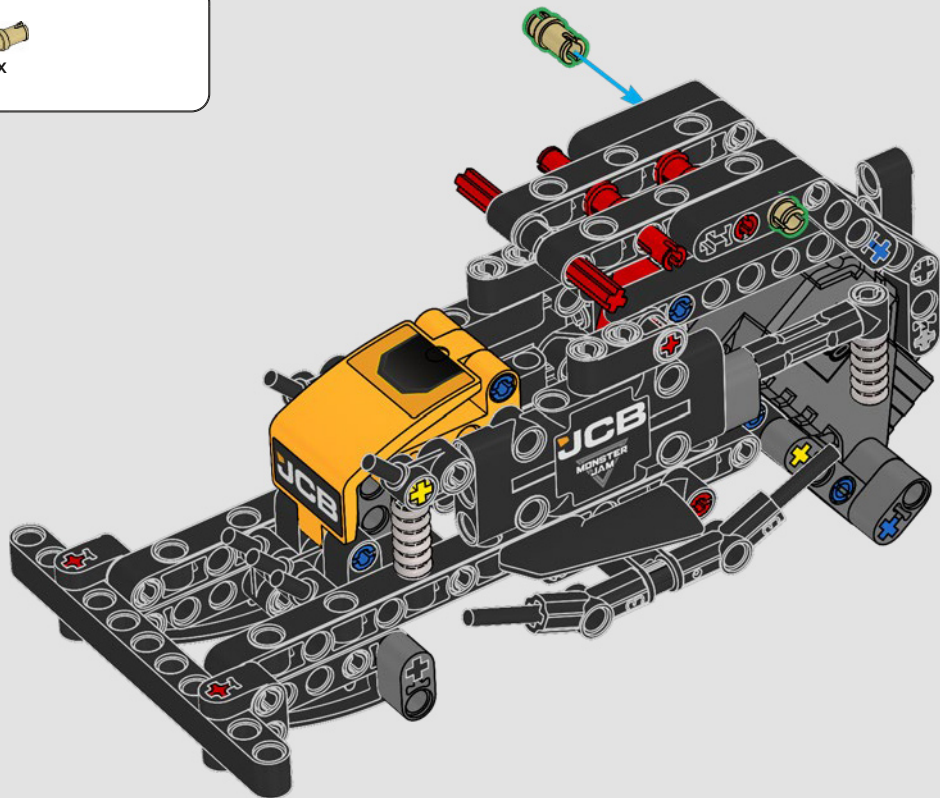
59





2x

60



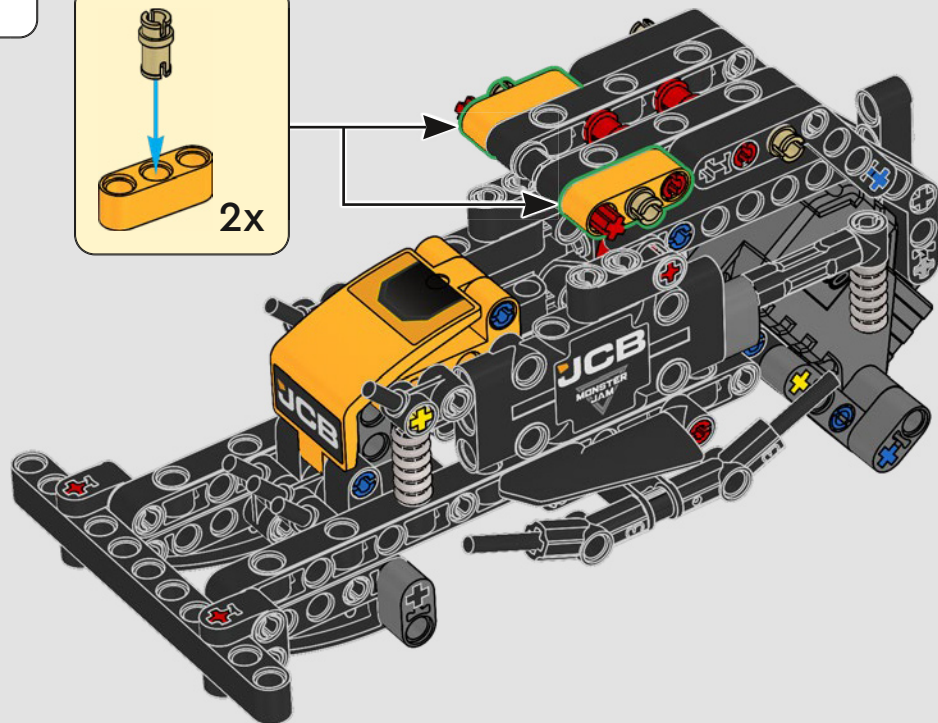
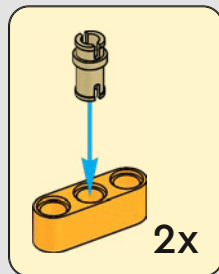


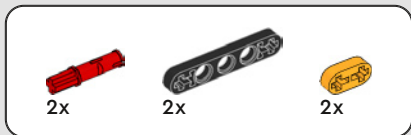
2x



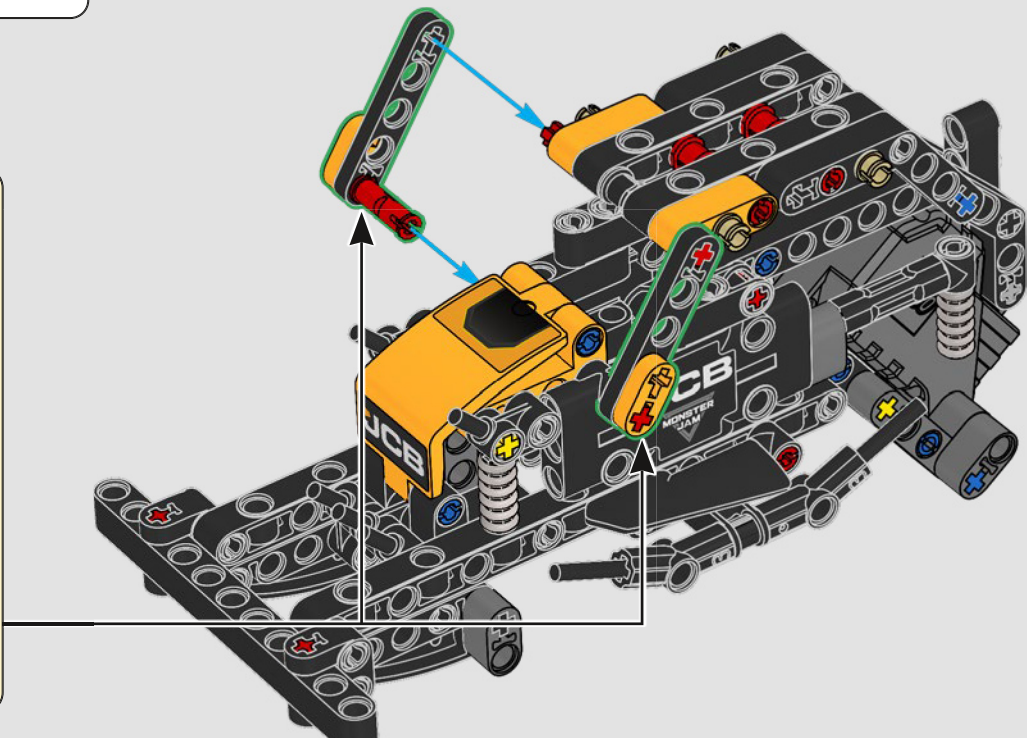
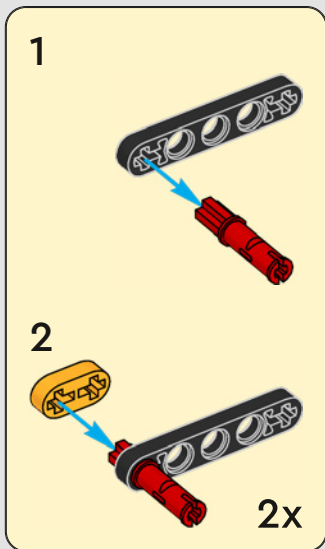
2x

61





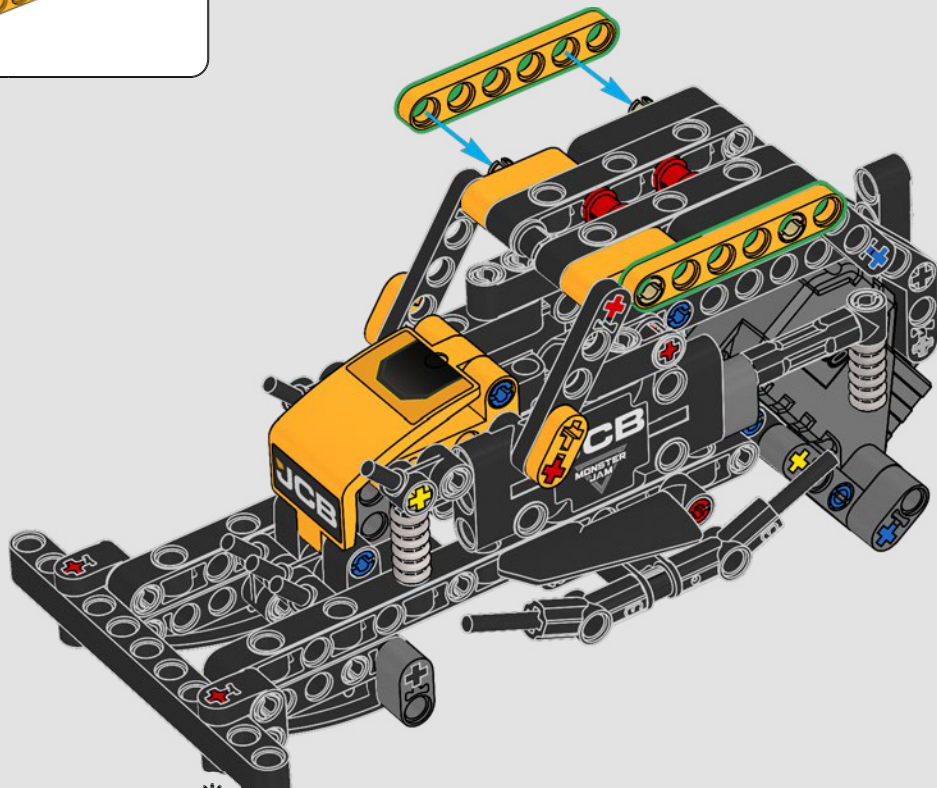
62





2x

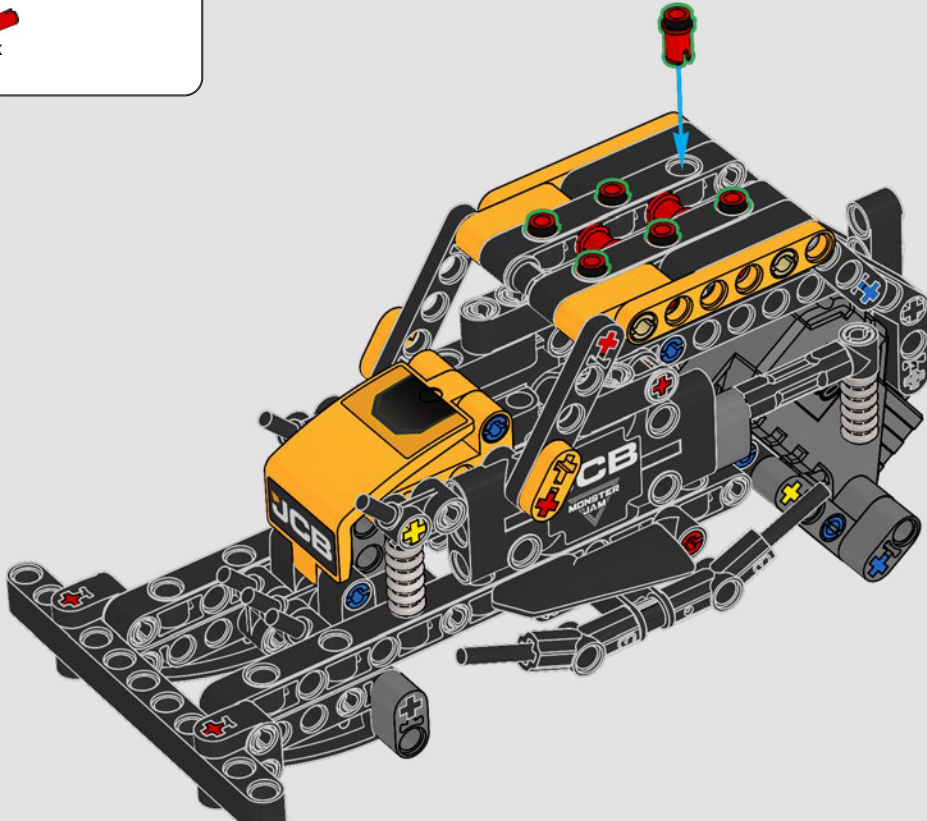
63

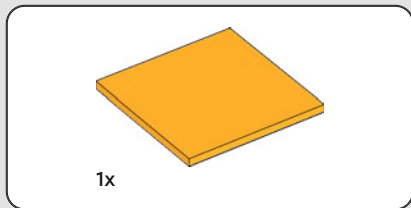




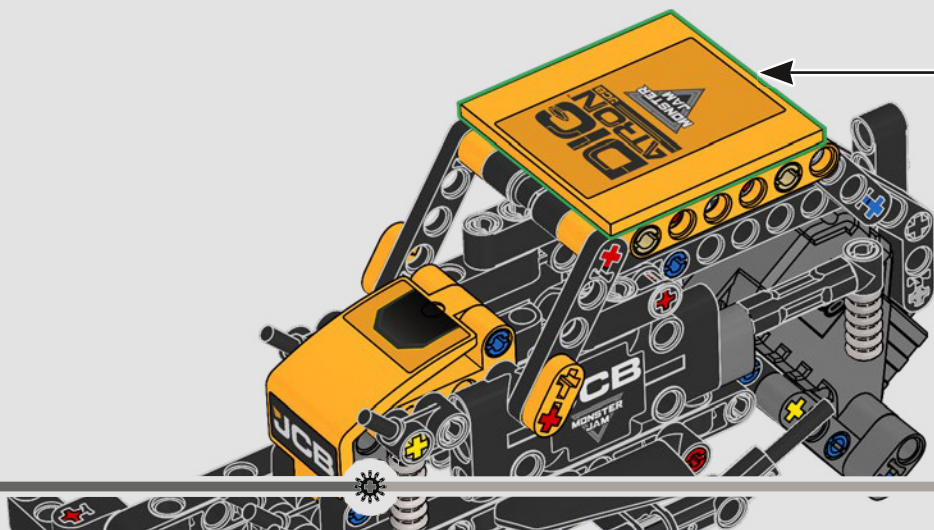
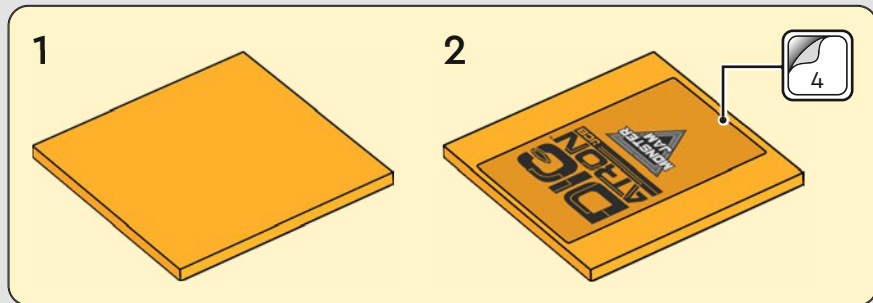
6x

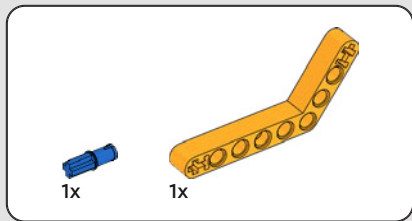
64



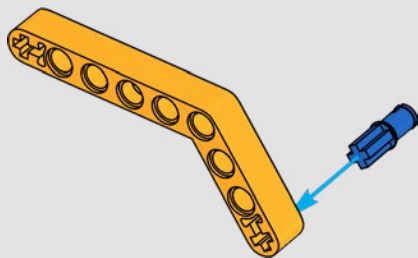


65





66





1x



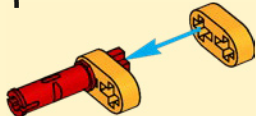
1x



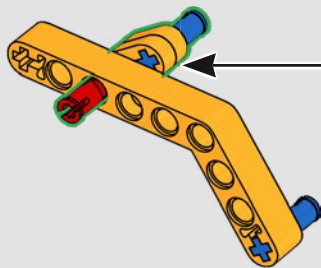
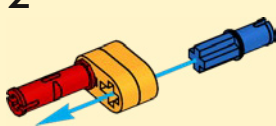
2x

67

1

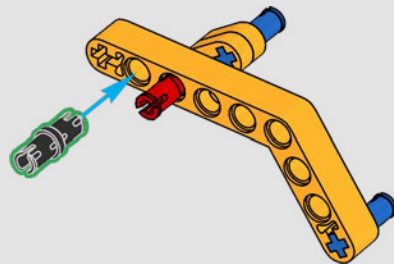


2

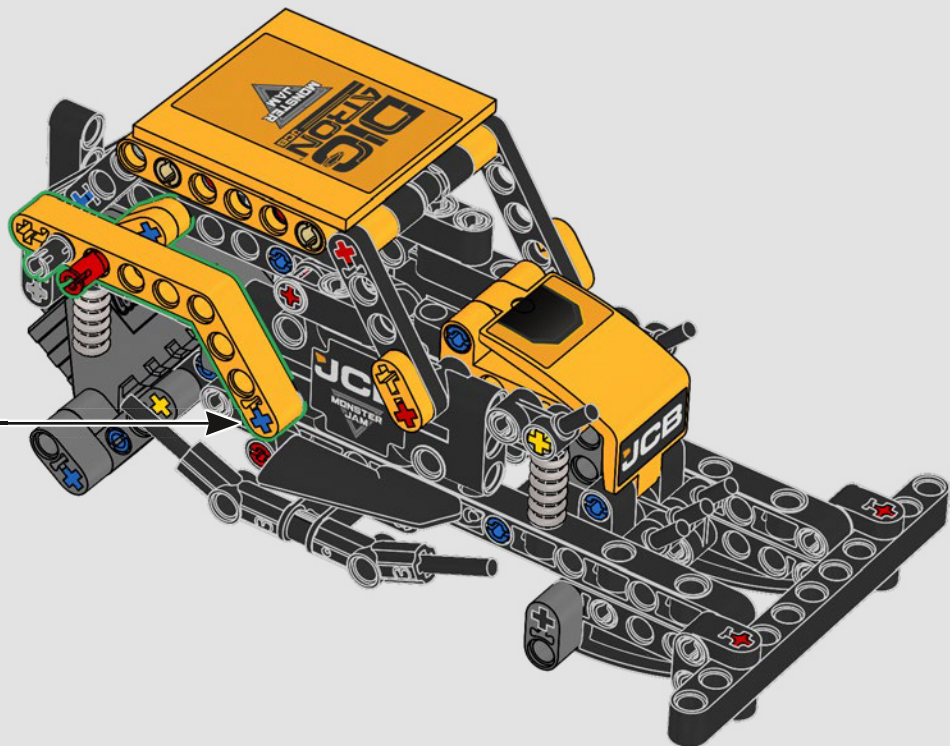


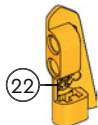
1x

68



69

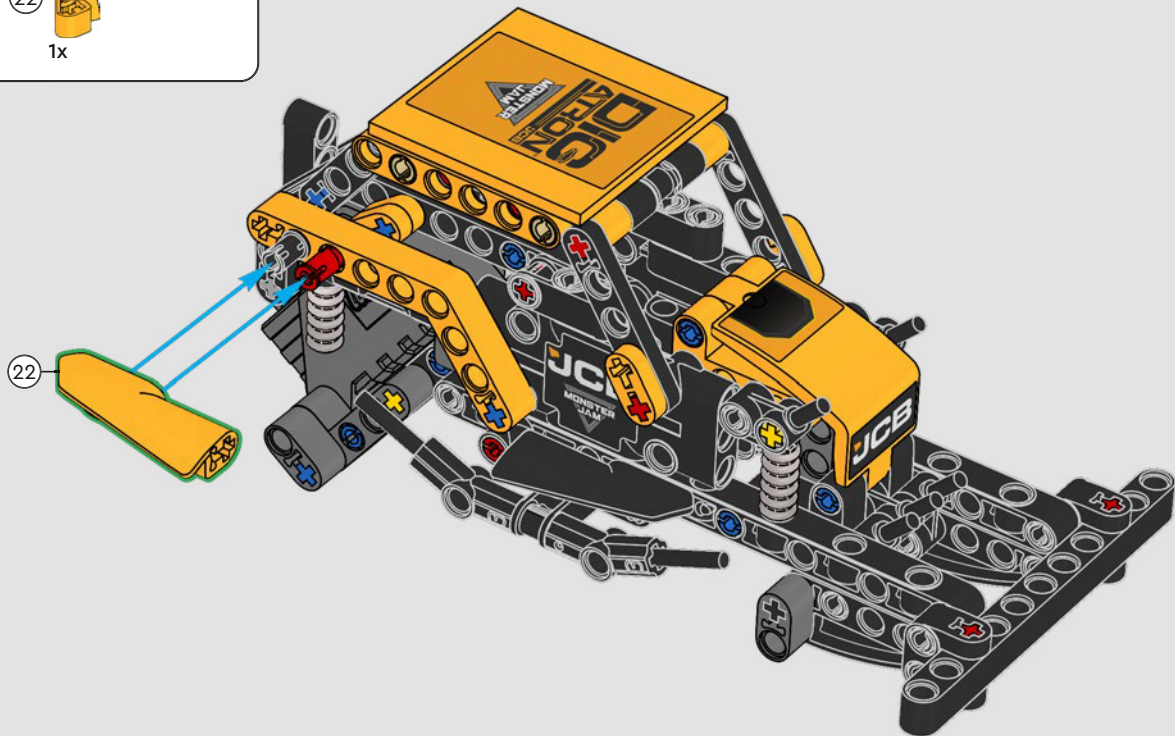


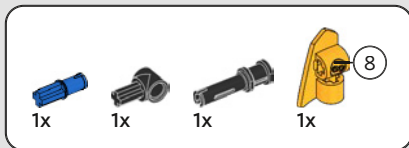


22

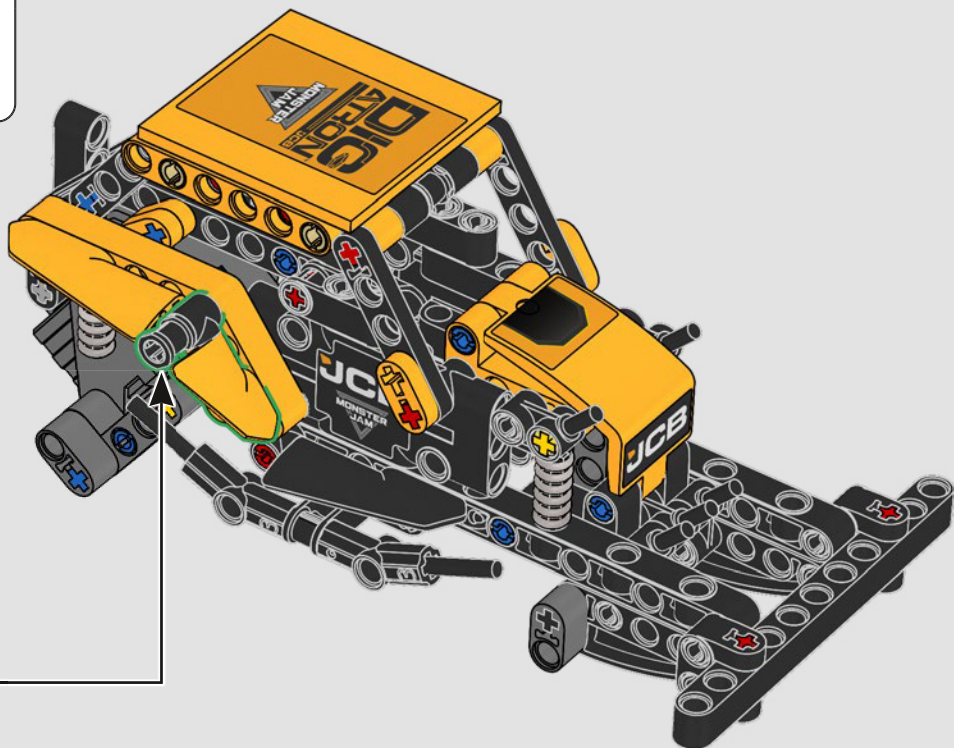
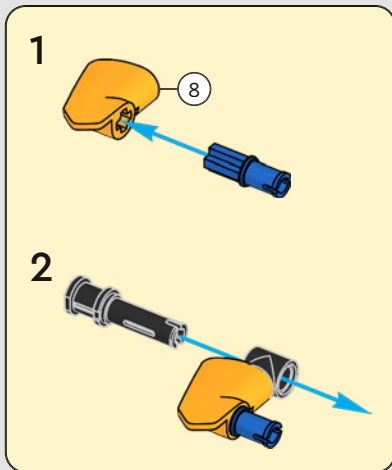
1x

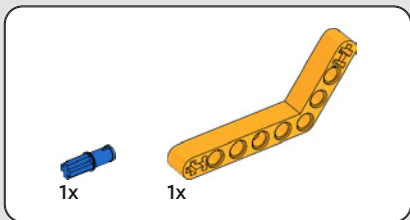
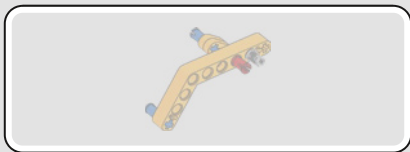
70



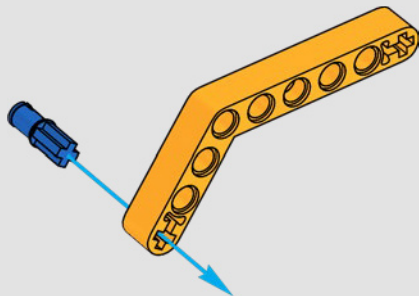


71





72





1x

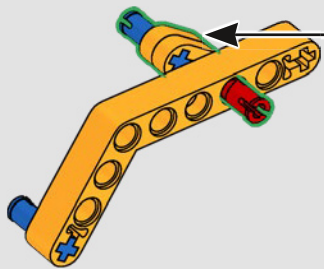
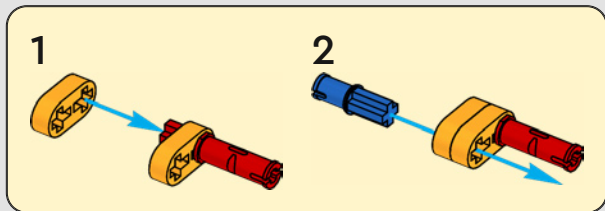


1x



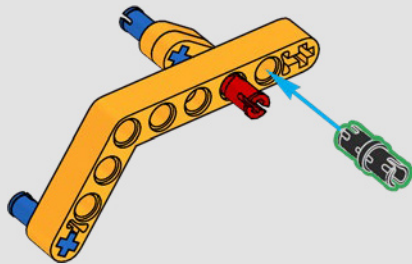
2x

73

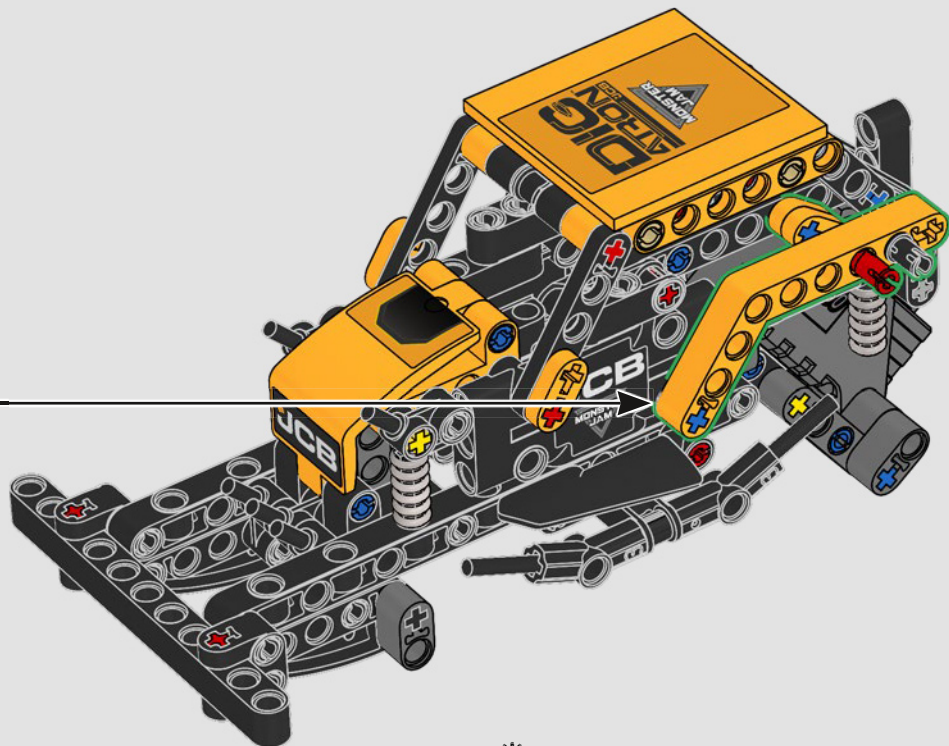


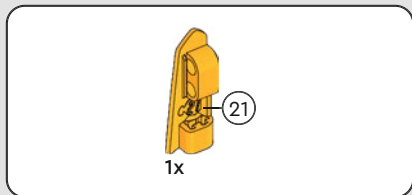
1x

74

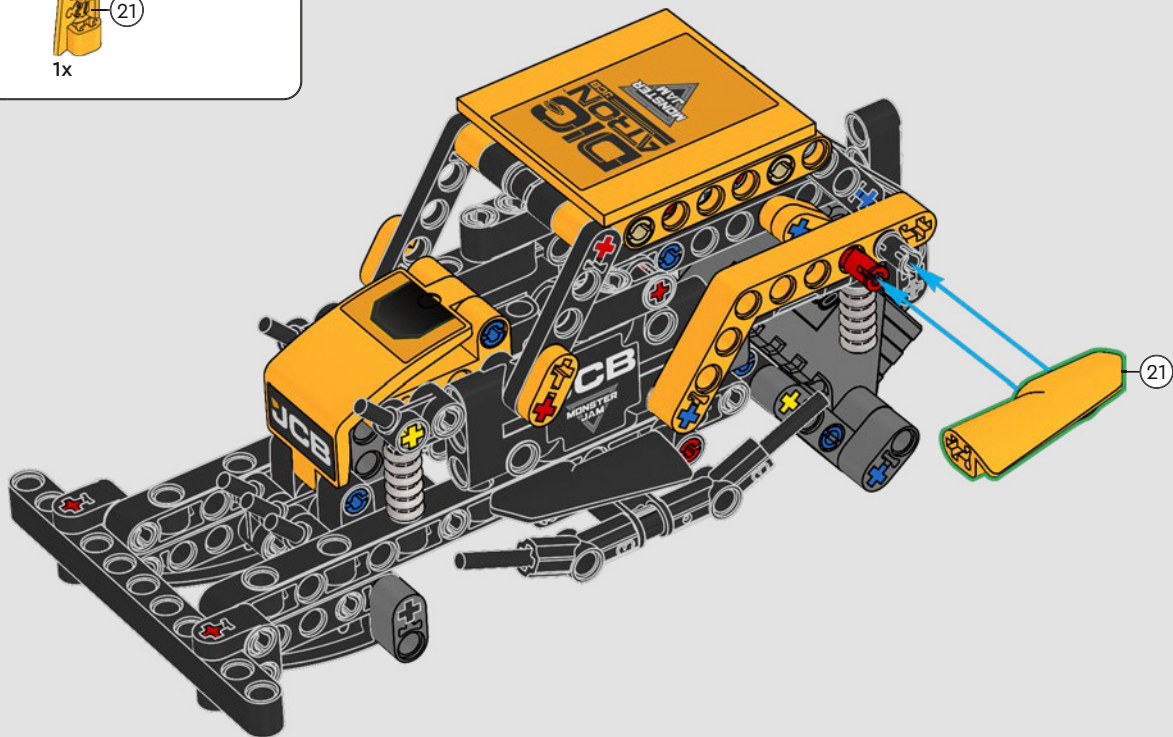


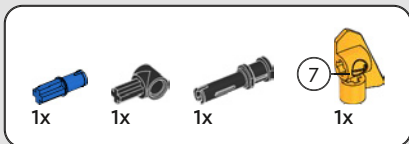
75



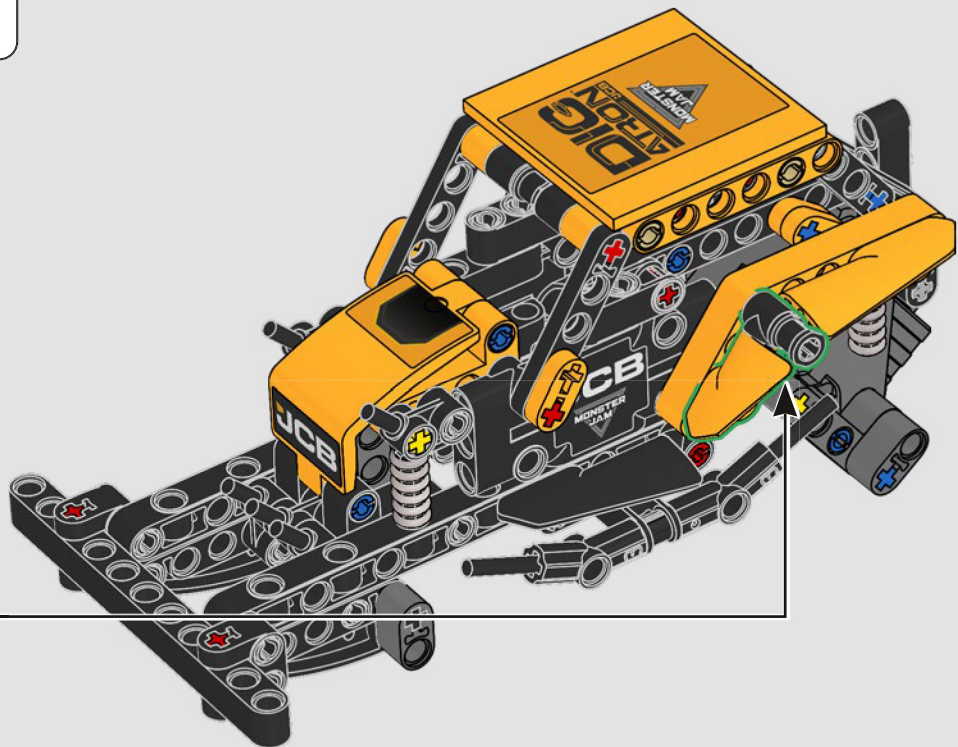
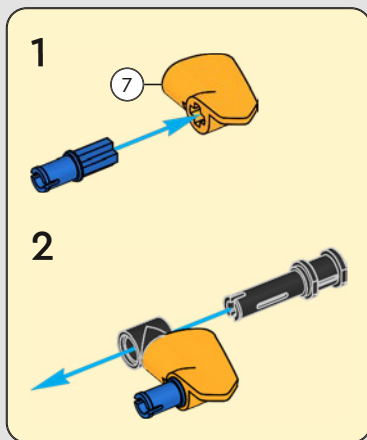


76





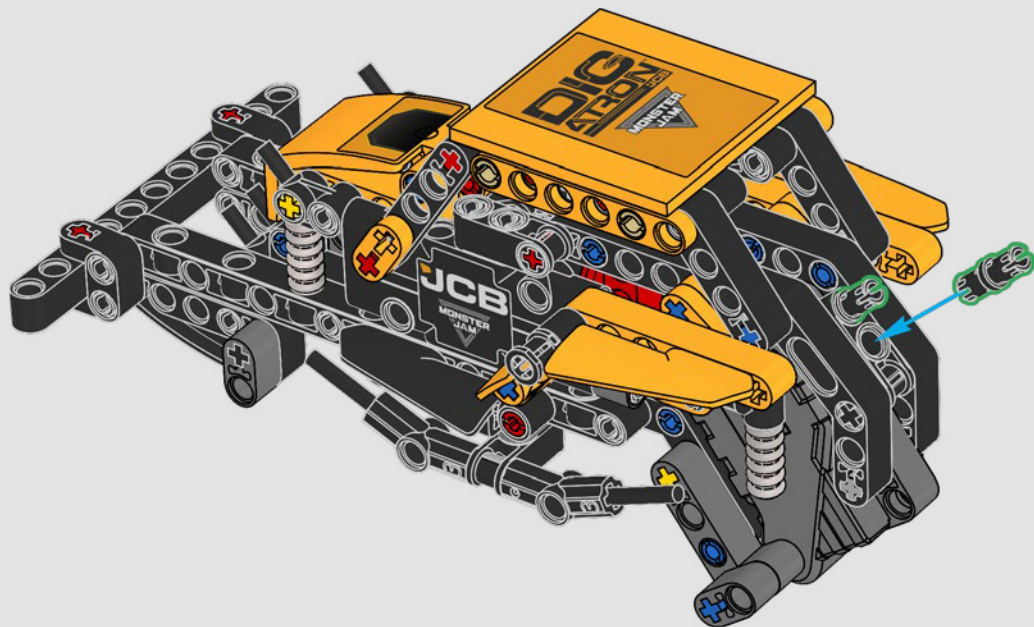
77

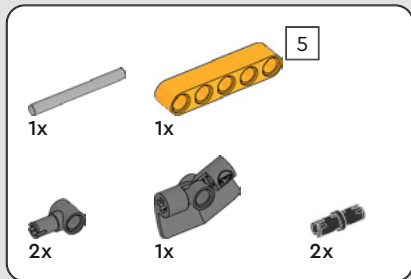
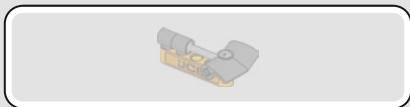




2x

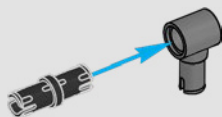
78



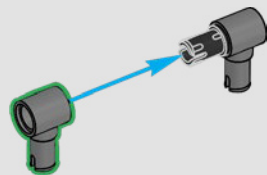


79

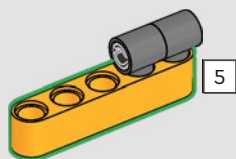
1



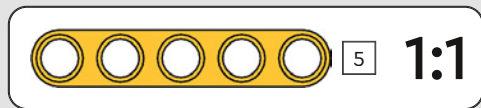
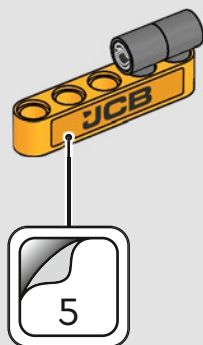
2



3

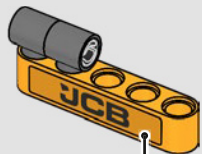


4

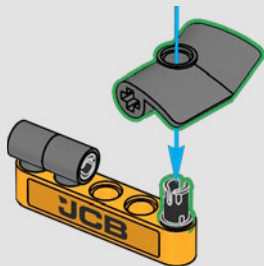




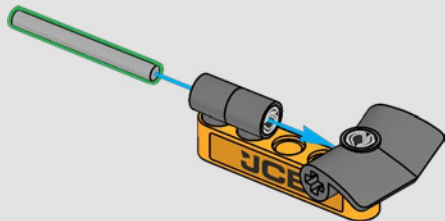
5

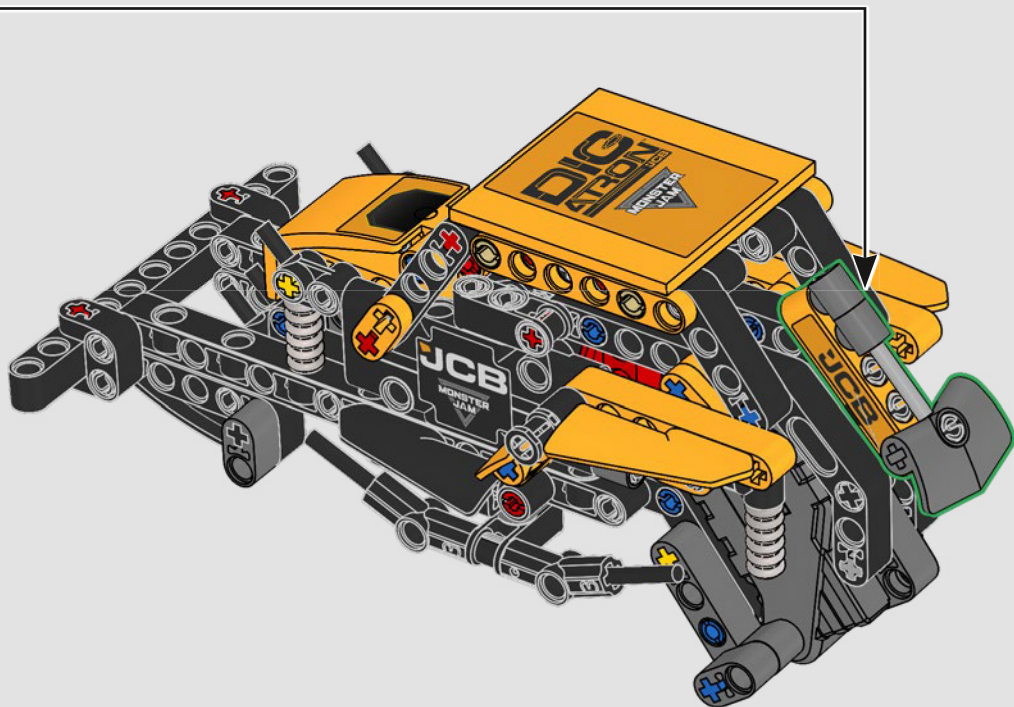


6



7





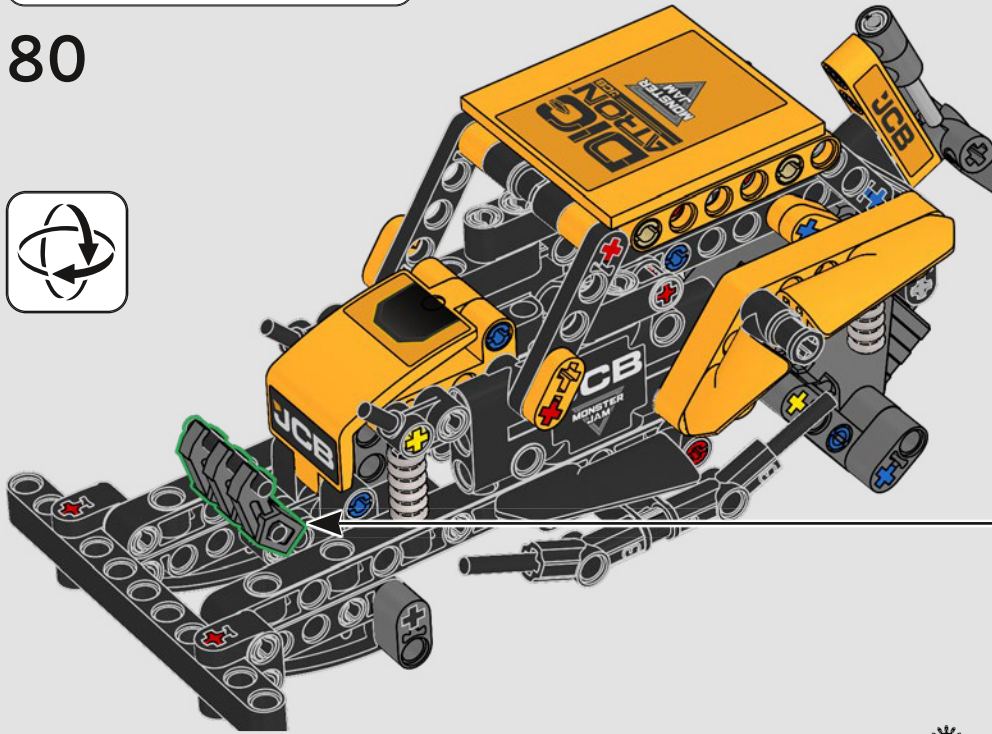
2x



3x



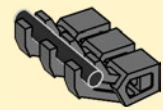
80



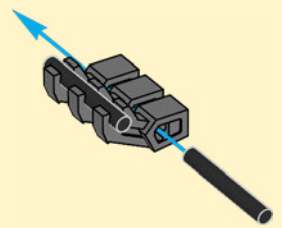
1



2



3



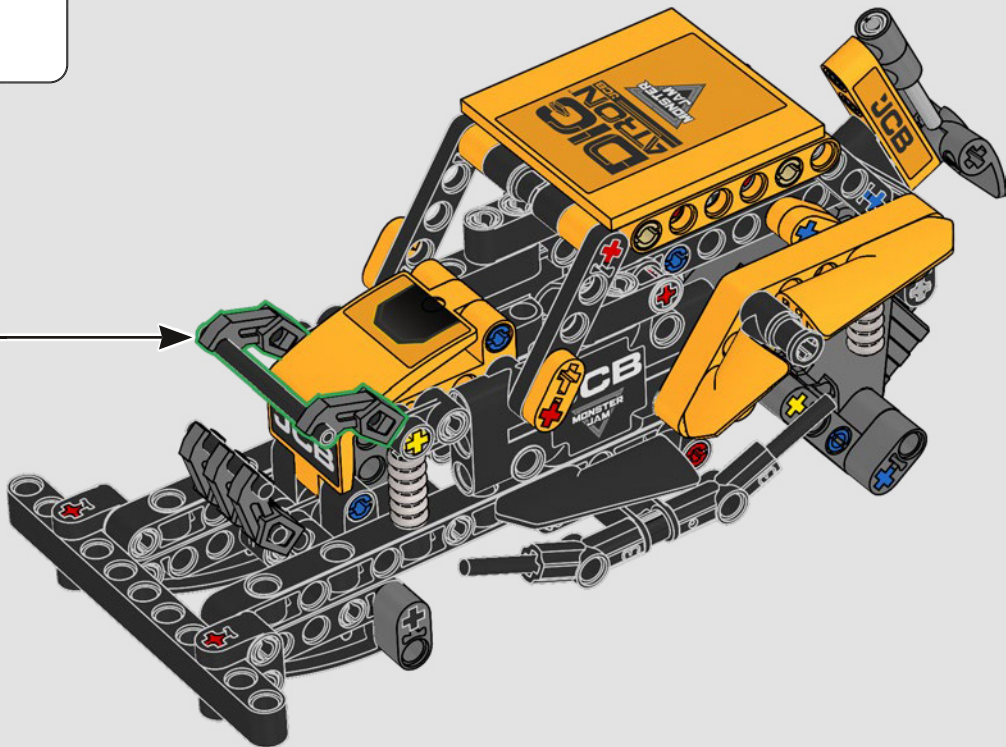
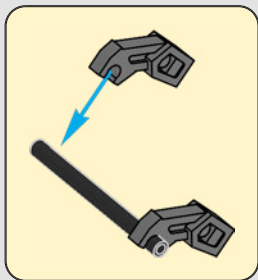


2x



1x

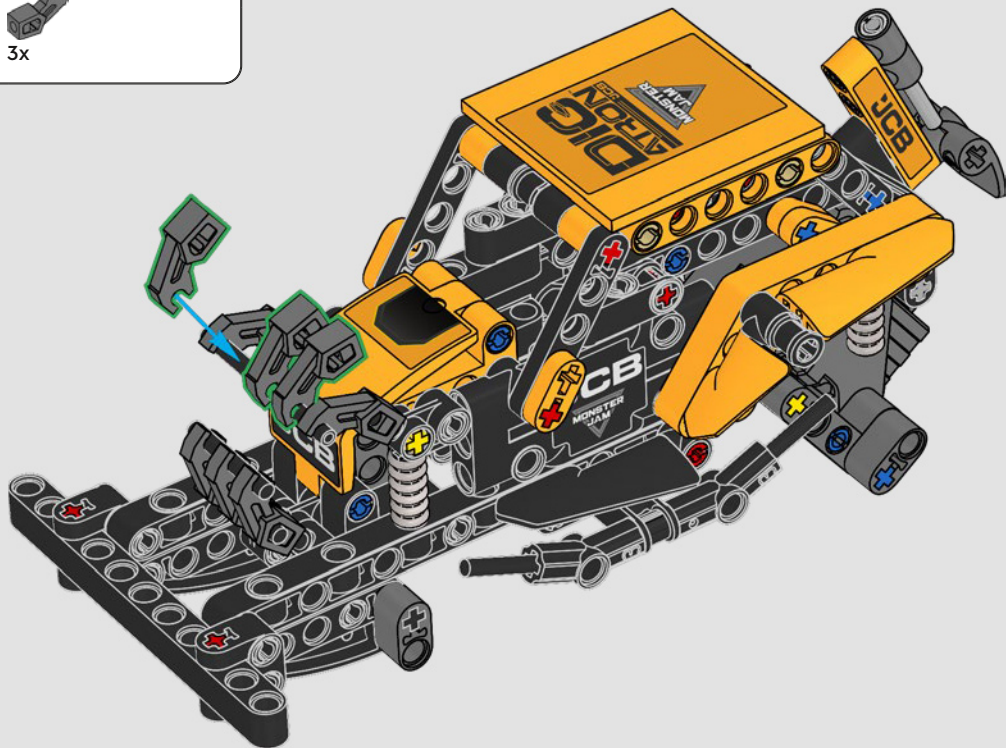
81





3x

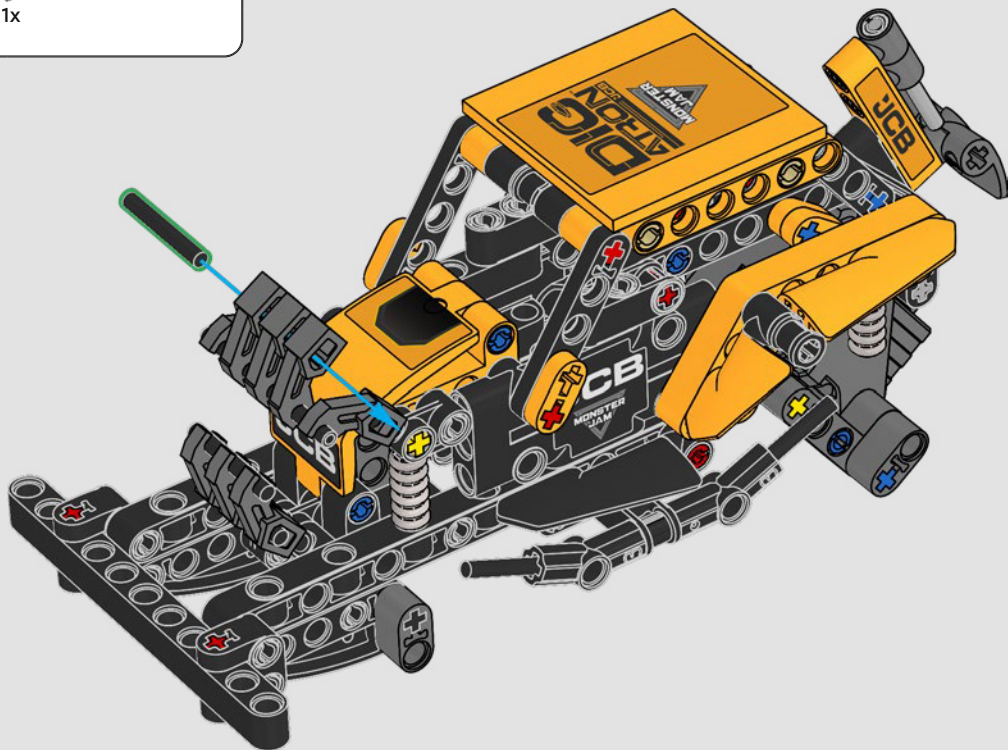
82

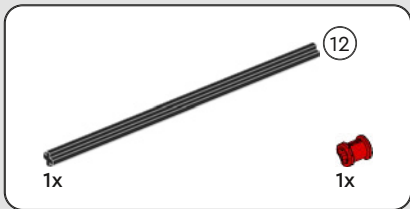
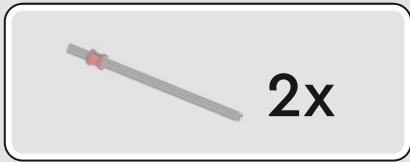




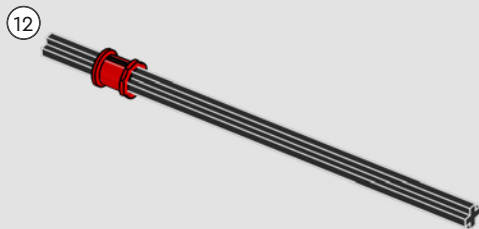
1x

83

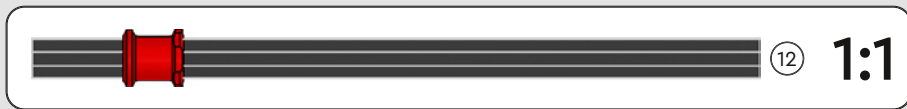


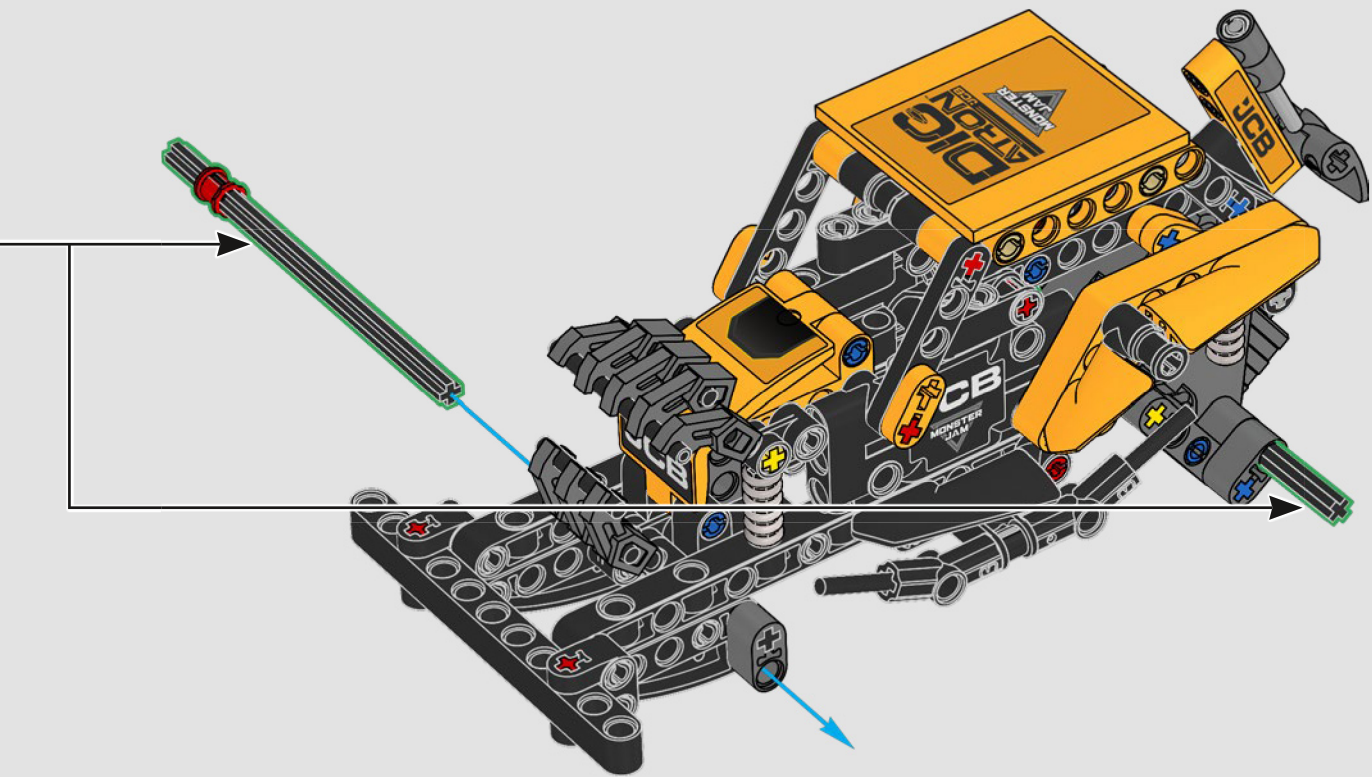


84



2x

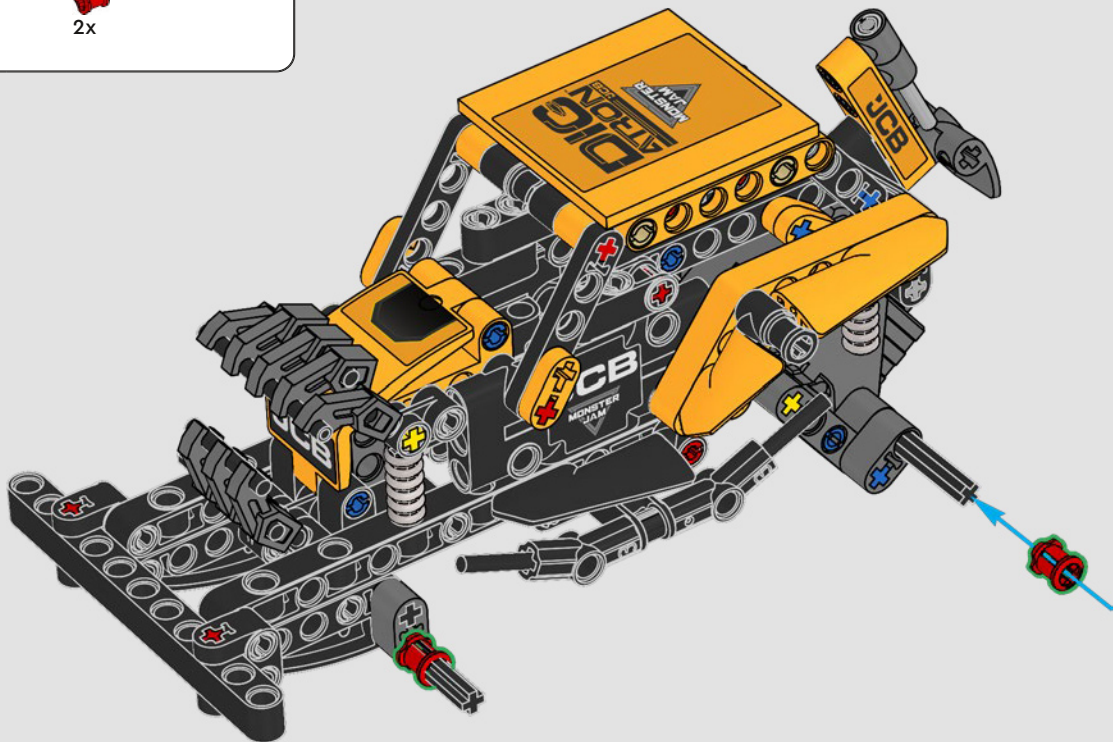


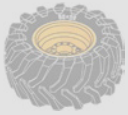




2x

85





2x

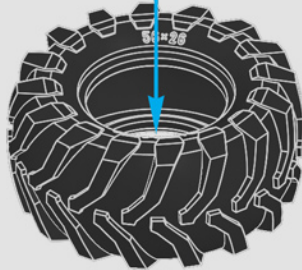
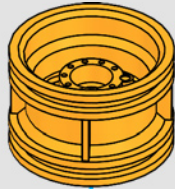


1x



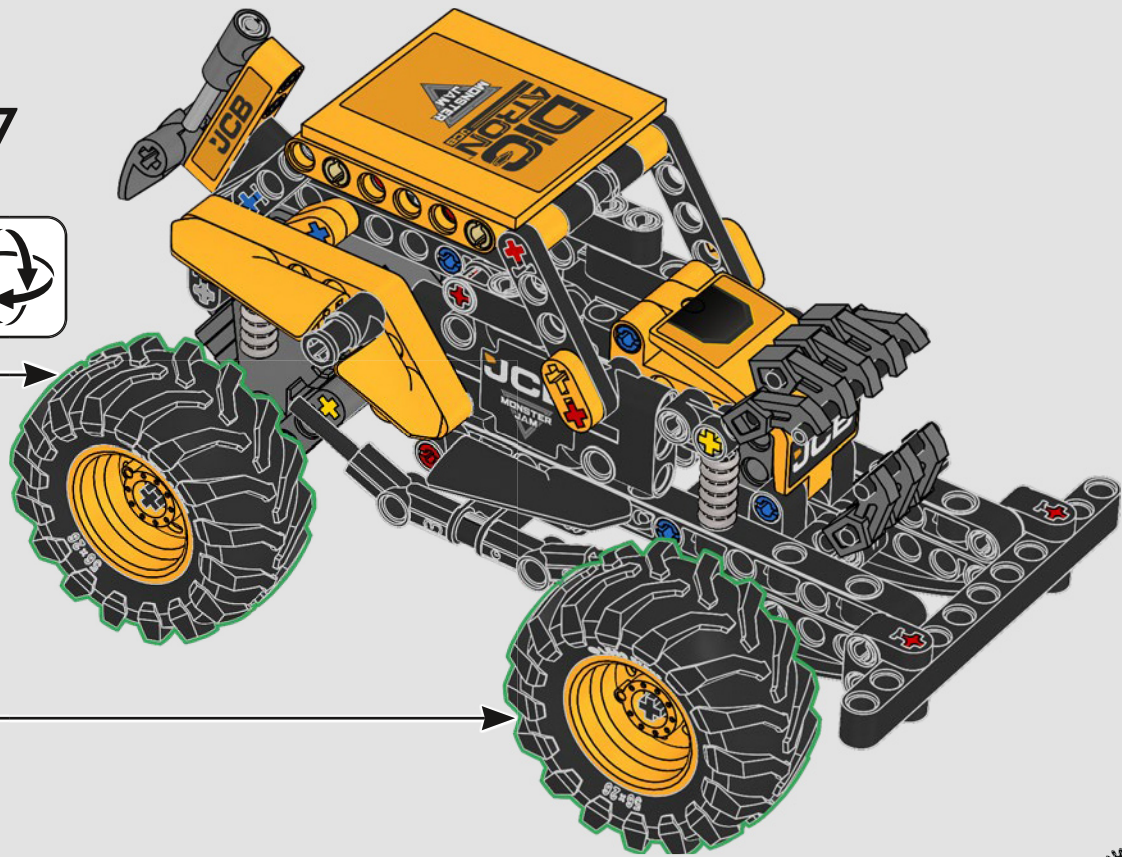
1x

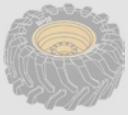
86



2x

87





2x

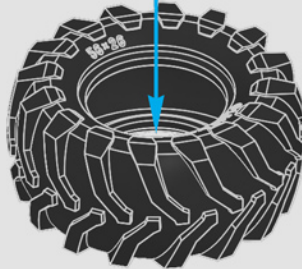
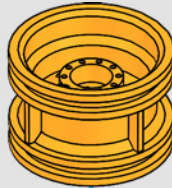


1x



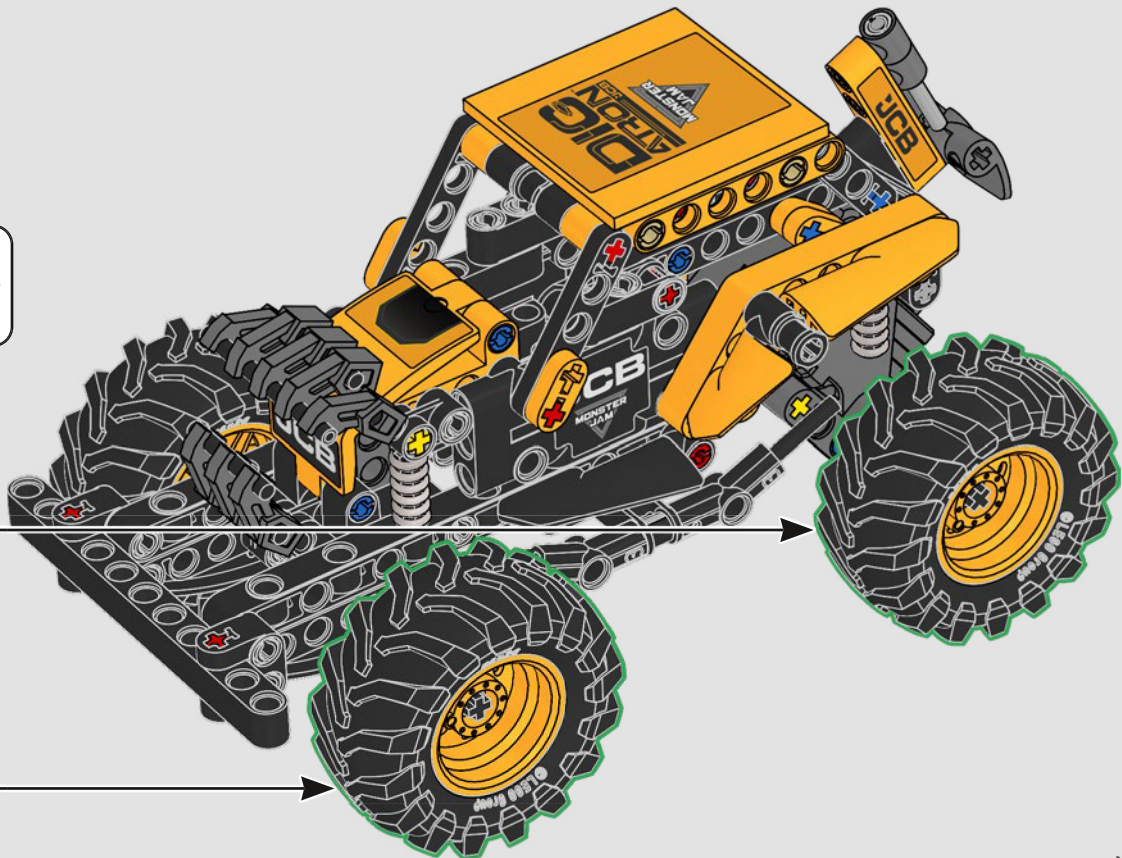
1x

88



2x

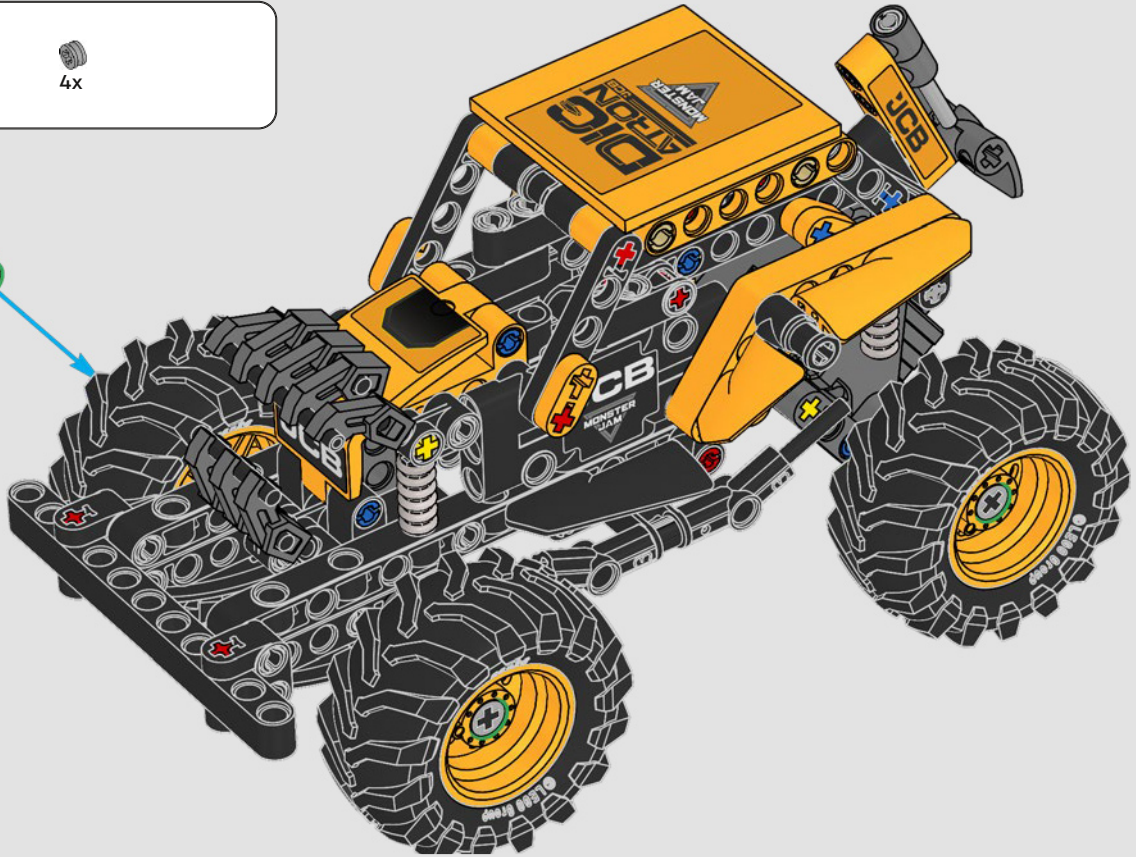
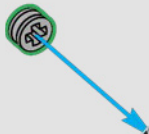
89

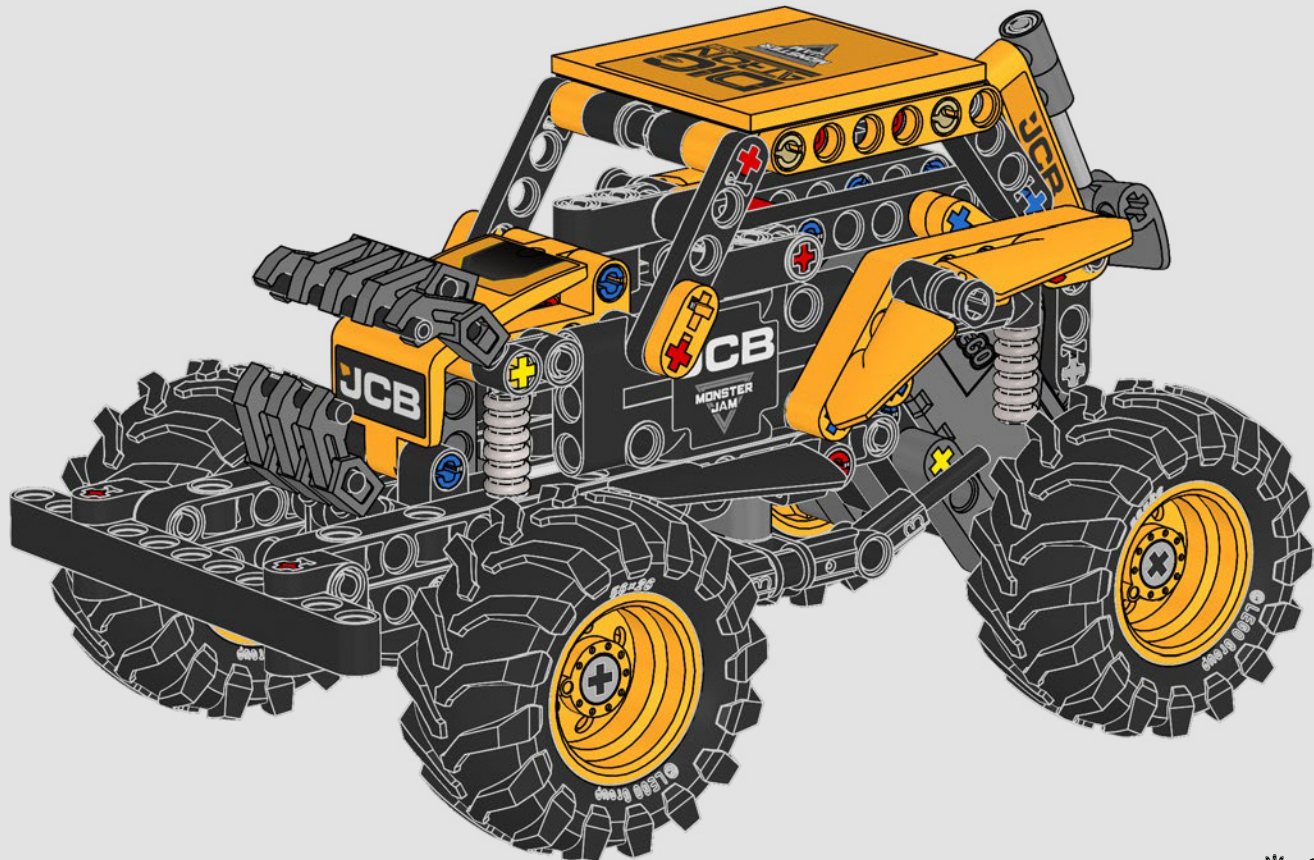




4x

90







TECHNIC™

RÉTROFRICTION

CARGA MANUAL



PULL
BACK

5
2x
6130008

4x
6013938

22
1x
6389721

12x
4206482



1x
6332148

2x
6349281

3
1x
6510093

4x
6271820

2x
6476803

8
1x
6513884

11x
6299413

4x
6325260

7
2x
6435016

4x
6271165

3x
6271830

6x
6378120

1x
6302731

21
1x
6476816

10x
6089119

22
1x
6319983

11
1x
6029578

3
3x
4211815

5
1x
4210686

4x
4142865

1x
6302731

1x
6476816

2x
6321745

1x
6319983

12
2x
370826

1x
6116608

1x
4210686

8x
6209519

2x
6476813

2x
6418455

4x
6261386

1x
6432743

7x
6093525

8x
6276870

6x
6265093

2x
6347789

1x
6525132

2x
6411444

6x
6253260

21
1x
6316923



2x
6282144

4x
6525133

1x
6407068

5
1x
6203256

6x
6476817

5x
6173124

1x
6316923

15
2x
6271152

2x
6093525

2x
6271152

6
1x
6130002

1x
6143751

2x
6411444

2x
6286381

2x
4552347

2x
6321716

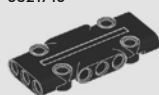
2x
6282144

2x
6321716

6x
6476817

31x
6279875

2x
4552347



2x
6321716

2x
6321716

1x
6511000

5x
6273708

2x
6407066

2x
6331935

2x
6321716

2x
6321716

1x
6511000

4x
6528827

4x
6278125

2x
6327028

2x
6321716

2x
6321716



 [LEGO.com/service](https://www.LEGO.com/service)

YOU COULD
WIN



Scan this QR code or go to
LEGO.COM/PRODUCTFEEDBACK and give us
your short feedback about this LEGO® set for
a chance to win a cool LEGO prize.

Terms and Conditions apply*

EN: YOU COULD WIN. Terms and Conditions apply* **DE: Du könntest GEWINNEN.** Es gelten die Teilnahmebedingungen* **FR: Tu pourrais GAGNER.** Des conditions s'appliquent* **IT: Potresti VINCERE tu.** Termini e condizioni sono applicabili* **ES: Puedes GANAR.** Aplican términos y condiciones* **PT: Poderá GANHAR.** Aplicam-se termos e condições* **ZH: 轻松获奖. 条款和条件适用*** **PL: Szansa na WYGRANĄ.** Obowiązują warunki korzystania* **CS: Máte šanci VYHRÁT.** Platí všeobecné smluvní podmínky* **SK: Máte šancu VYHRAŤ.** Platia všeobecné zmluvné podmienky* **HU: TE IS NYERHETSZ.** Felhasználási feltételek érvényesek* **RO: Ai putea CÂȘTIGA.** Se aplică termeni și condiții* **BG: Можете да СПЕЧЕЛИТЕ.** Има определени правила и условия* **LV: Tu vari LAIMĒT.** Ir spēkā noteikumi un nosacījumi.* **ET: Sul on võimalus VÕITA.** Kehtivad tingimused* **LT: Jūs galite LAIMĖTI.** Taikomos sąlygos*

*[LEGO.com/productfeedback-terms](https://www.lego.com/productfeedback-terms)

LEGO and the LEGO logo are trademarks of the/sonnt des marques de commerce du/son marcas registradas de LEGO Group. ©2025 The LEGO Group.

©2025 Feld Motor Sports, Inc. MONSTER JAM™, DIGatron™ Pull-Back, and all related logos and characters/designs are intellectual property of and used under license from Feld Motor Sports, Inc. All rights reserved. JCB™ LOGOS ARE TRADEMARKS OF JCB™ USED UNDER LICENSE.

6556972