

WIN
YOU COULD

Scan this QR code or go to LEGO.COM/PRODUCTFEEDBACK and give us your short feedback about this LEGO® set for a chance to win a cool LEGO prize.
Terms and Conditions apply



EN: YOU COULD WIN. Terms and Conditions apply* **DE: Du könntest GEWINNEN.** Es gelten die Teilnahmebedingungen* **FR: Tu pourrais GAGNER.** Des conditions s'appliquent* **IT: Potresti VINCERE tu.** Termini e condizioni sono applicabili* **ES: Puedes GANAR.** Aplican términos y condiciones* **PT: Poderás GANHAR.** Aplicam-se termos e condições* **ZH: 轻松获奖.** 条款和条件适用* **PL: Szansa na WYGRANA.** Obowiązują regulamin i zmlowne podmioty* **HU: TE IS NYERHETSZ.** Felhasználási feltételek érvényesek* **RO: Ai putea CĂȘTIGA.** Se aplică termenii și condiții* **BG: Можете да СЪБЕДИТЕ.** Илжа отпечатеник правата и условията* **LV: Tu vari LAIMĒT.** Ir spēka noteikumi un nosacījumi. **ET: Siit on võitmaus VÕITA.** Kehtivad tingimused* **LT: Jūs galite**

*LEGO.com/productfeedback-terms

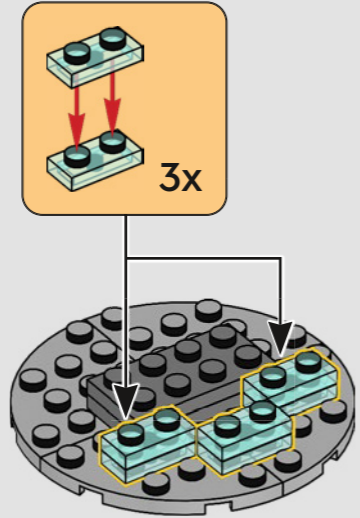


30708

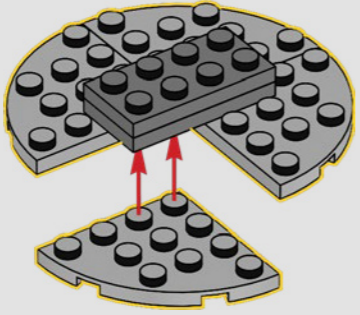
6555212



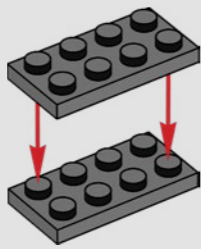
3



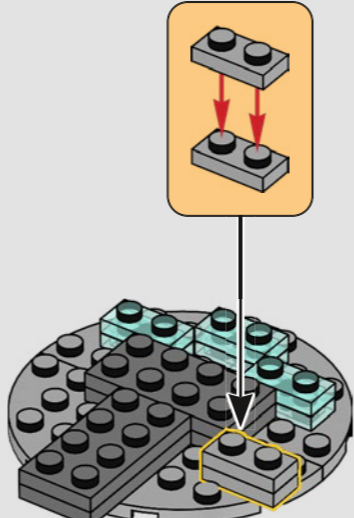
2



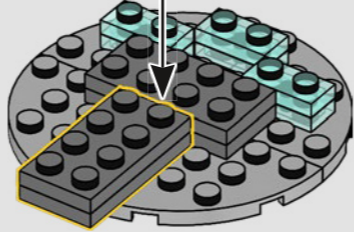
1



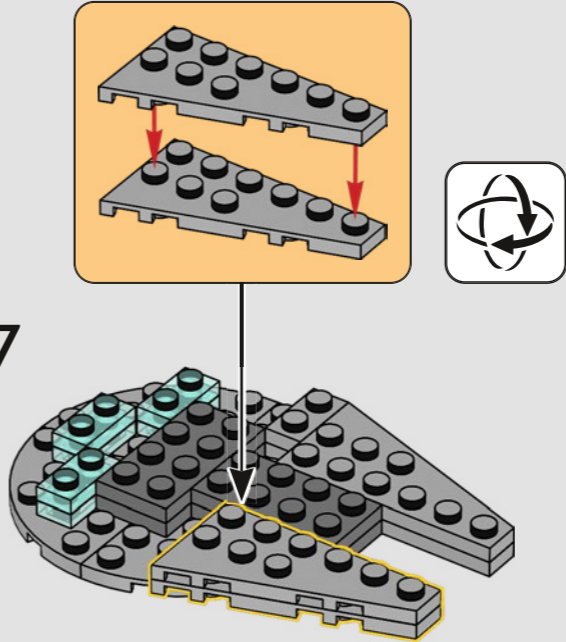
5



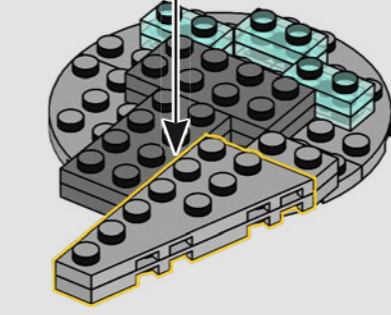
4



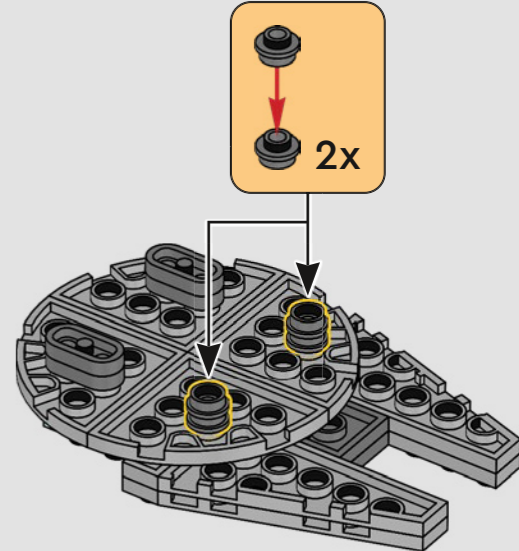
7



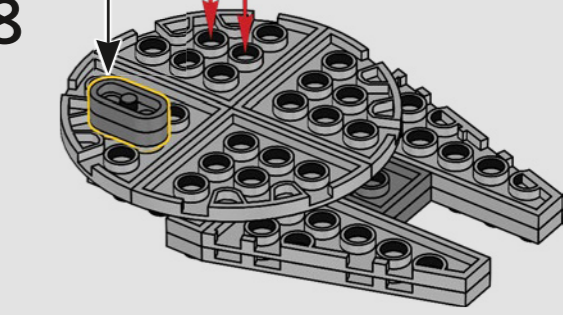
6

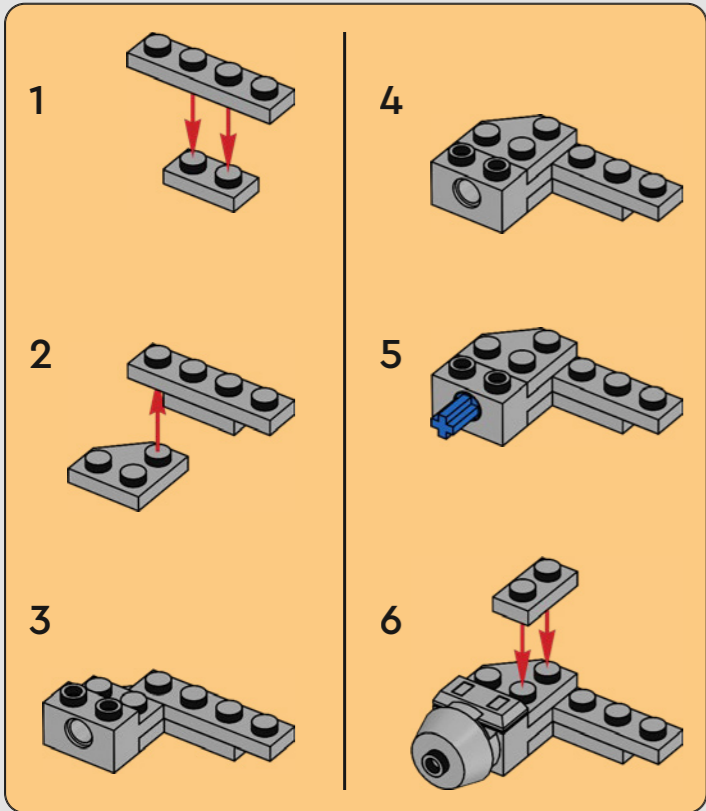


9

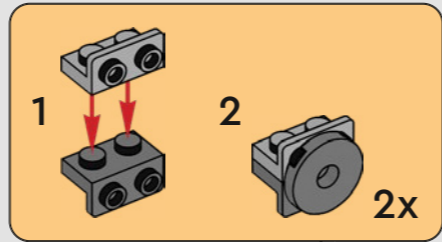
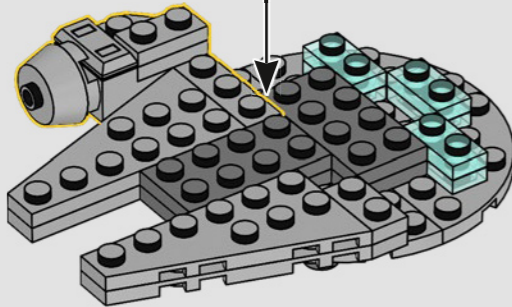


8

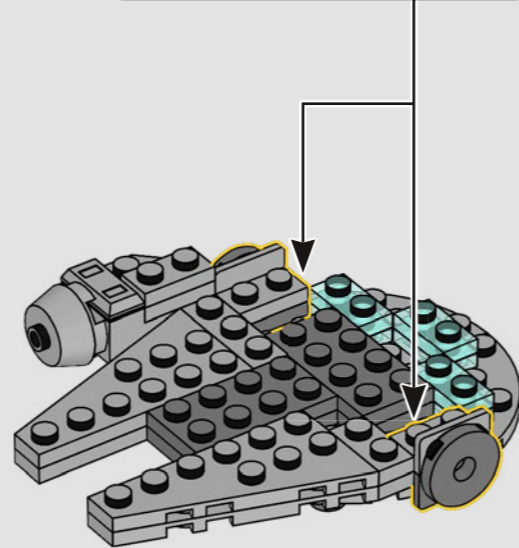




10



11



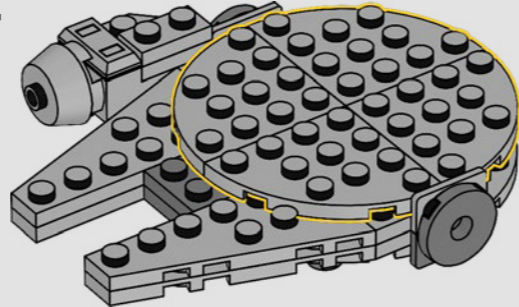
 [LEGO.com/starwars](https://www.lego.com/starwars)

[LEGO.com/service](https://www.lego.com/service)

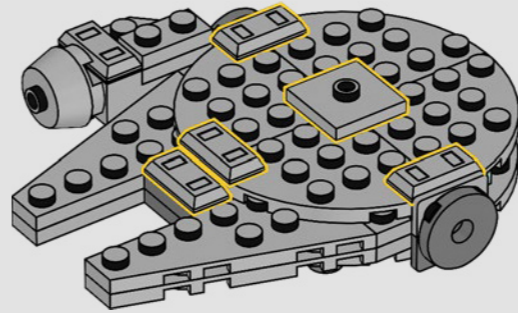
LEGO and the LEGO logo are trademarks of the/sont des marques de commerce du/son marcas registradas de LEGO Group. ©2025 The LEGO Group. 6555212

© & ™ Lucasfilm Ltd.

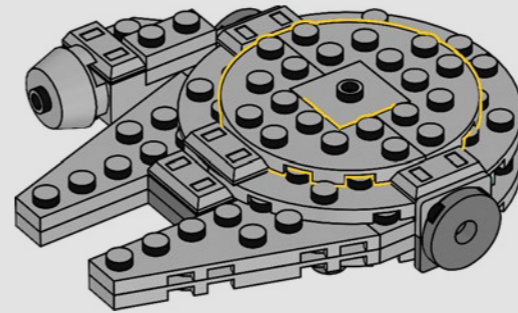
12



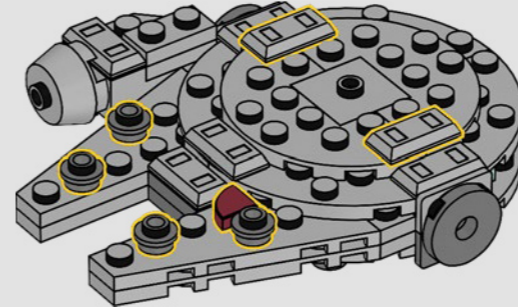
13



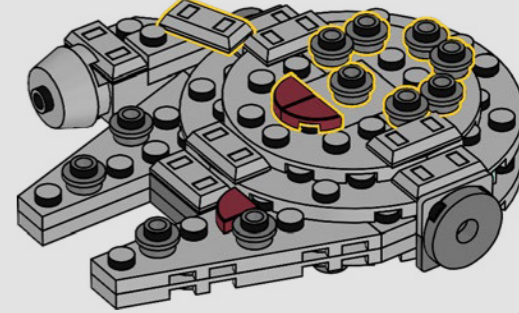
14



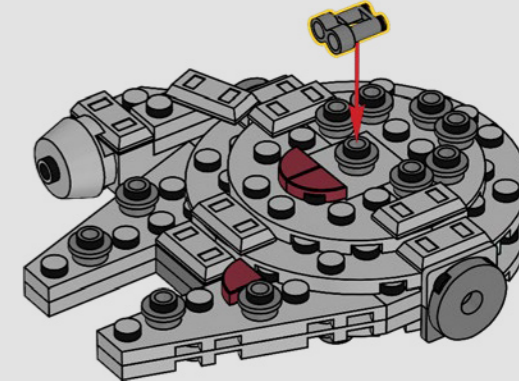
15



16



17



18

