



Friends

42656



LEGO® Builder



Get excited about our new packaging!

We're switching from plastic to paper-based packaging. That's why you might find a mix of paper and plastic in our boxes!

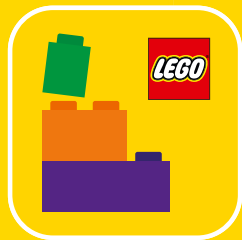
Nos nouveaux emballages vous emballeront !

Nous passons des emballages en plastique aux emballages à base de papier. C'est pourquoi vous pourriez trouver un mélange de papier et de plastique dans nos boîtes !

¡Te presentamos nuestros nuevos empaques!

Estamos sustituyendo las bolsas de plástico por bolsas con base de papel. ¡Por eso, puedes encontrar una mezcla de papel y de plástico en nuestras cajas!

[LEGO.com/sustainable-packaging](https://www.lego.com/sustainable-packaging)



Q LEGO® Builder

BUILDER



Apple and the Apple logo are trademarks of Apple Inc., registered in the U.S. and other countries and regions. App Store is a service mark of Apple Inc. Google Play and the Google Play logo are trademarks of Google LLC. Tencent and the Tencent logo are trademarks of Tencent Inc.

Q [LEGO.com/devicecheck](https://www.lego.com/devicecheck)

EN Ask parents' permission before going online | **DE** Eltern um Erlaubnis bitten, bevor du online gehst | **FR** Demande l'autorisation d'un parent avant d'aller en ligne | **IT** Chiedi il permesso ai tuoi genitori prima di andare online | **ES** Pídeles permiso a tus papás antes de conectarte a Internet | **PT** Pede autorização aos pais antes de acederes online | **ZH** 上网前应先征得父母的同意 | **PL** Poproś rodziców o zgodę, zanim wejdziesz do Internetu | **CS** Než půjdeš na internet, požádej rodiče o svolení | **SK** Skôr než pôjdeš na internet, vypýtaj si povolenie od rodičov | **HU** Kérj szülői engedélyt, mielőtt online csatlakoznál! | **RO** Cere permisiunea părinților înainte de a te conecta online | **BG** Поискайте разрешение от родител, преди да влезете онлайн | **LV** Pirms došanās tiešsaistē palūdz atļauju vecākiem | **ET** Enne Interneti kasutamist küsi vanematelt luba | **LT** Prieš prisijungdami prie interneto, atsiklauskite tėvų

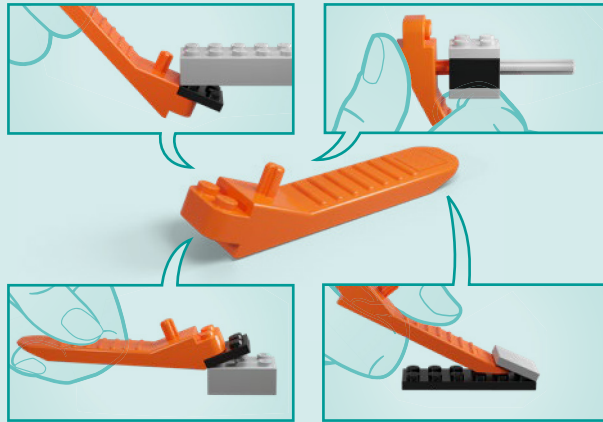


**BUILD IT
YOUR
WAY**

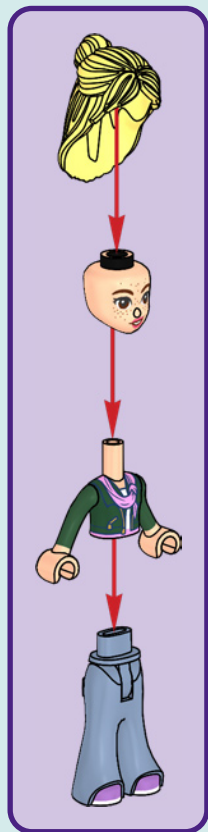


CONSTRUISEZ À VOTRE FAÇON
CONSTRÚYELO A TU MANERA



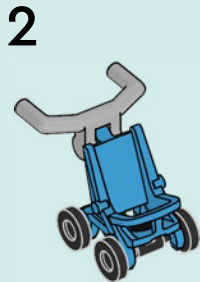
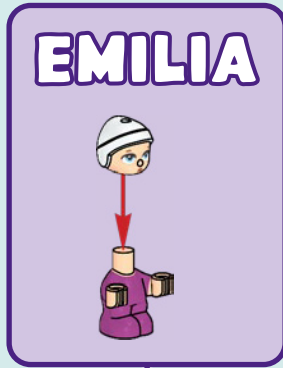
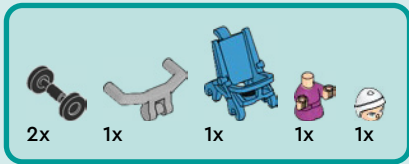


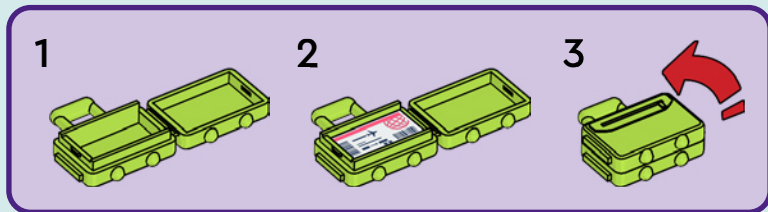
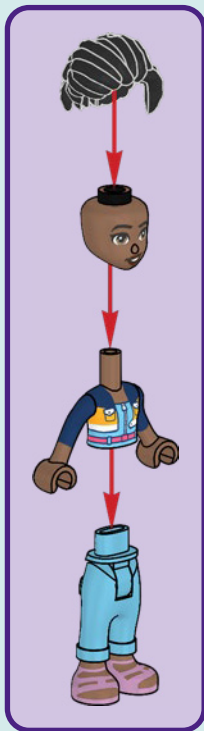




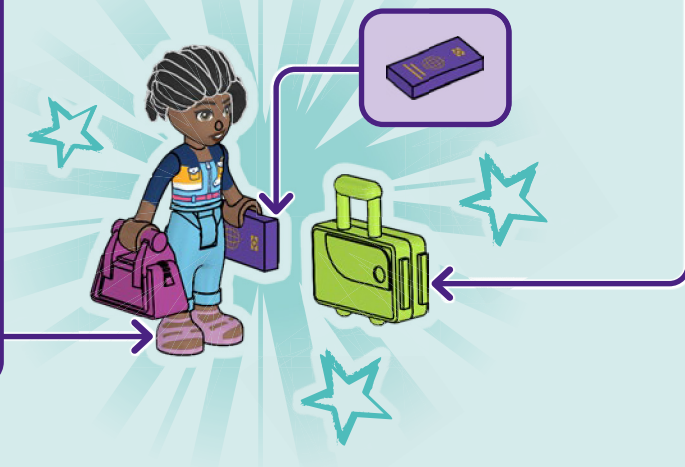
EVA







CELINE







2x

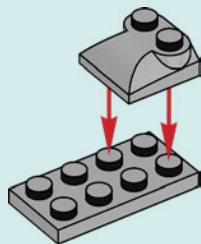


1x



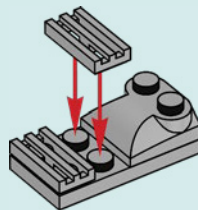
1x

1



2x

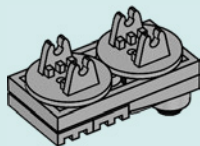
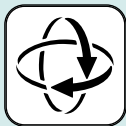
2





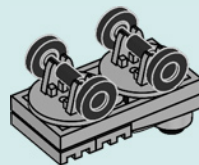
2x

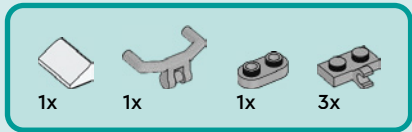
3



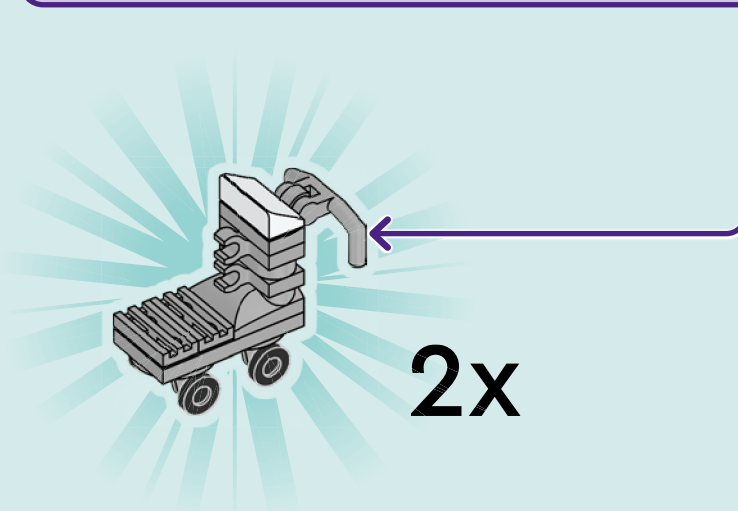
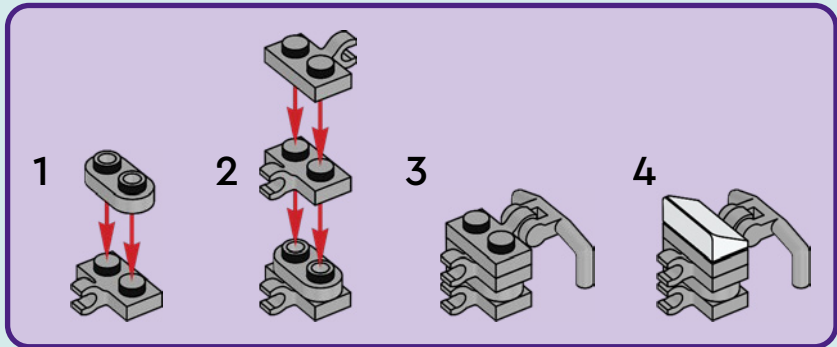
2x

4



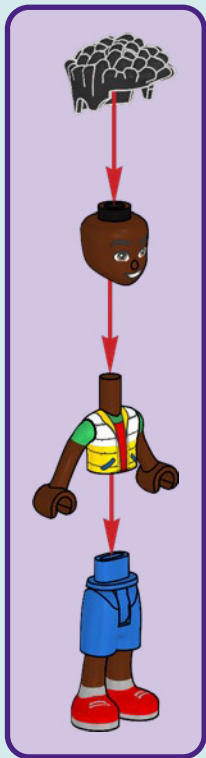
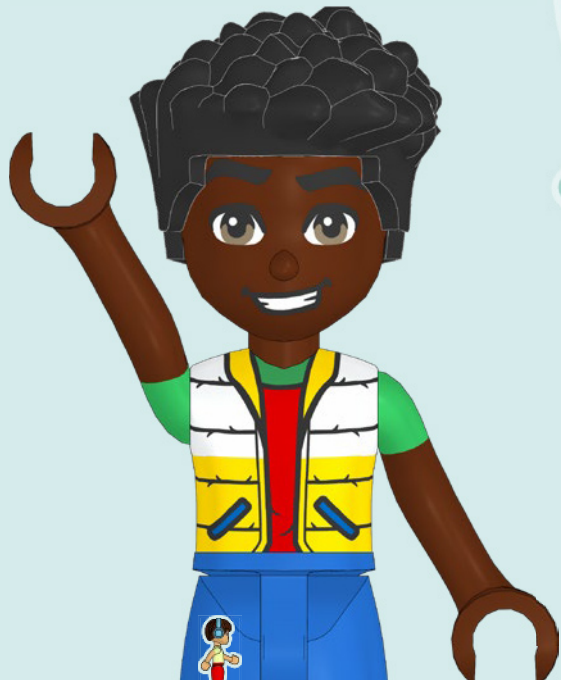


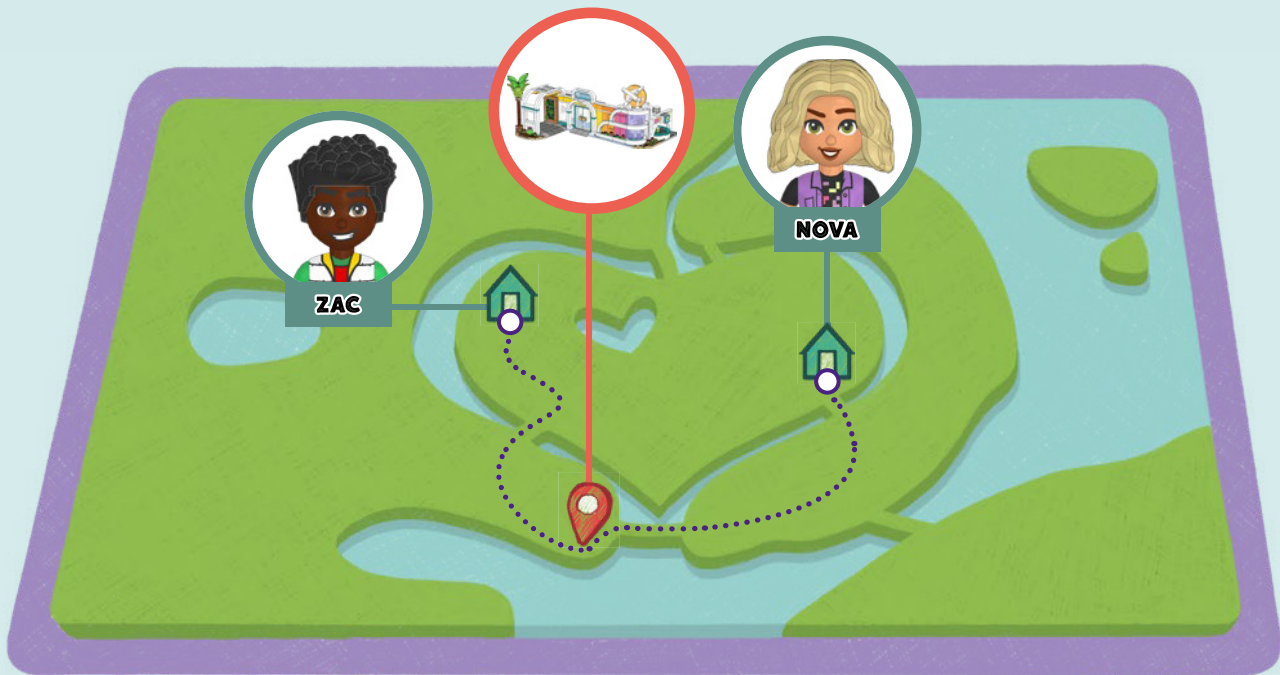
5



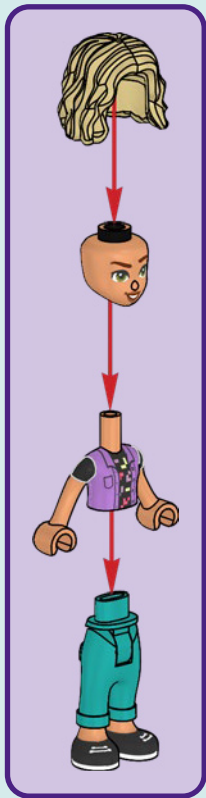


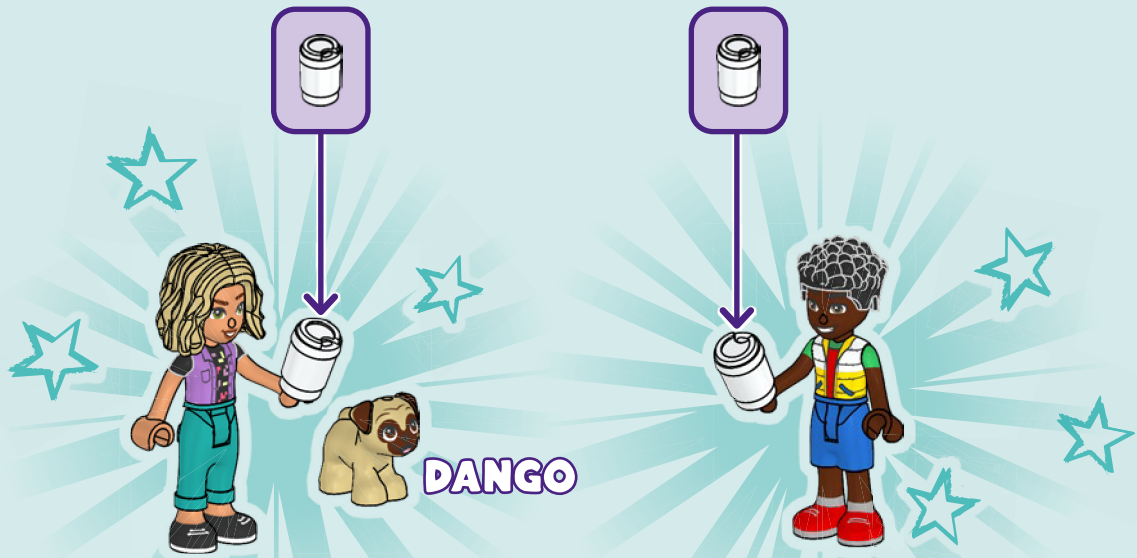
ZAC

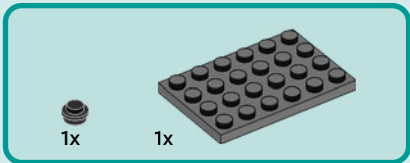
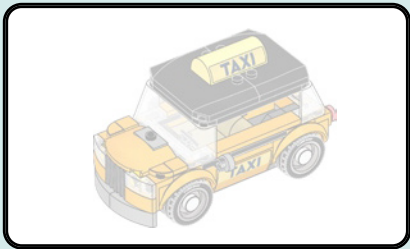




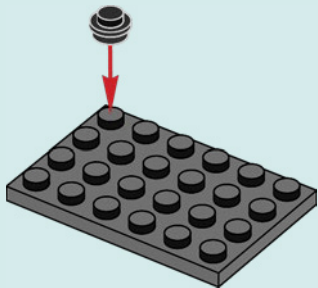
NOVA



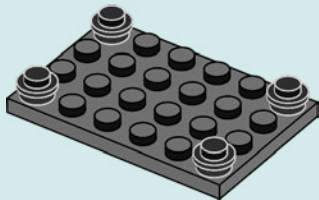


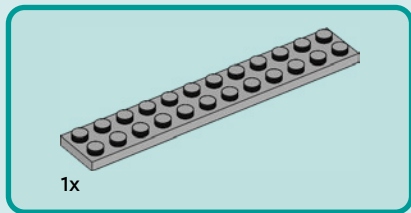


1

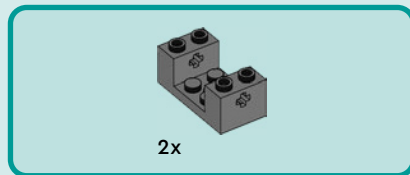
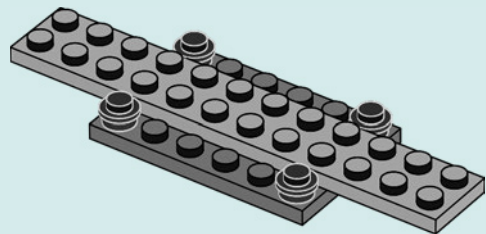


2

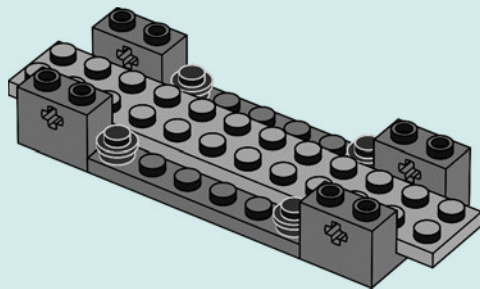




3



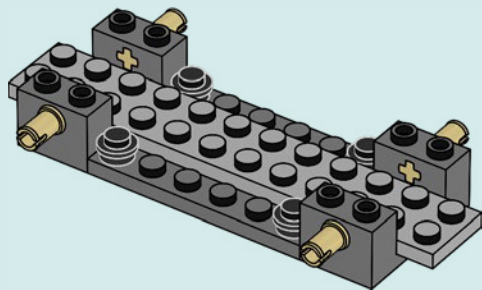
4





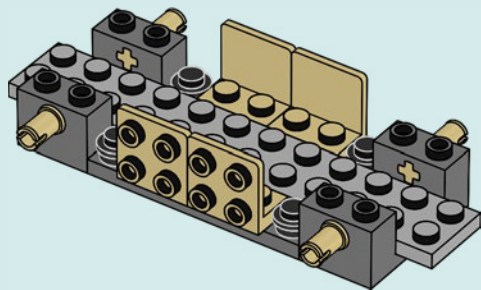
4x

5



4x

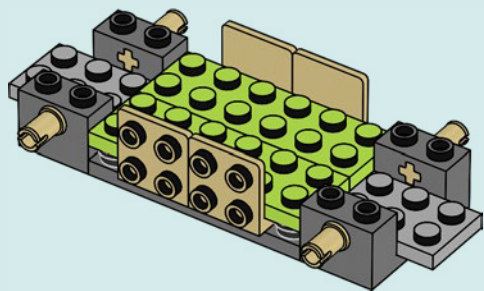
6





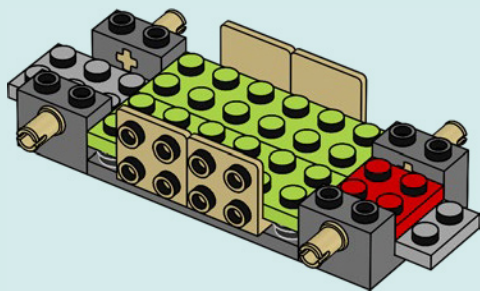
2x

7



1x

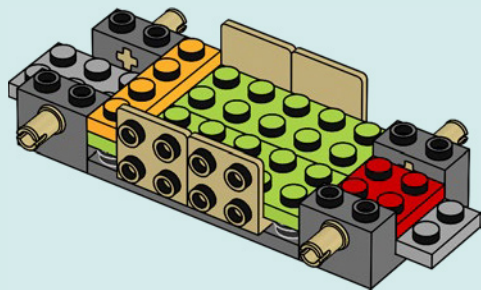
8





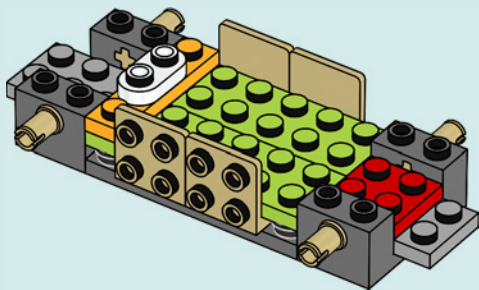
1x

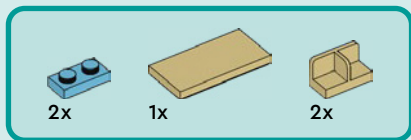
9



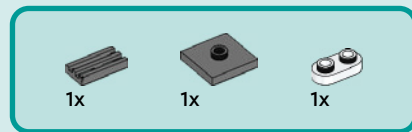
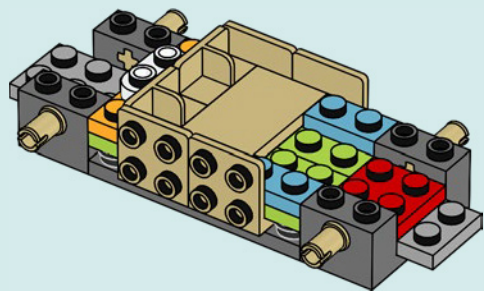
1x

10

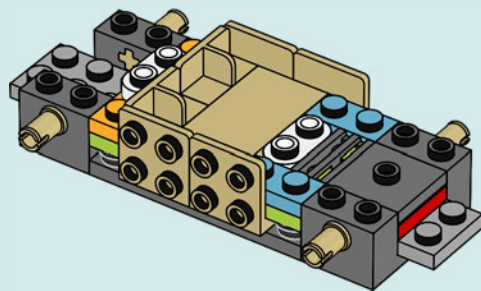




11



12



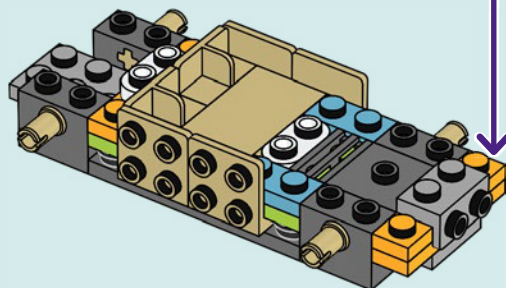
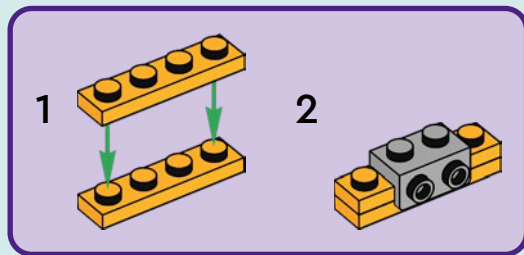


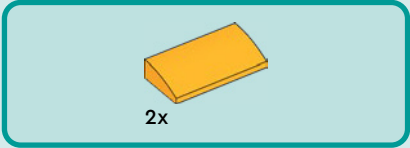
1x



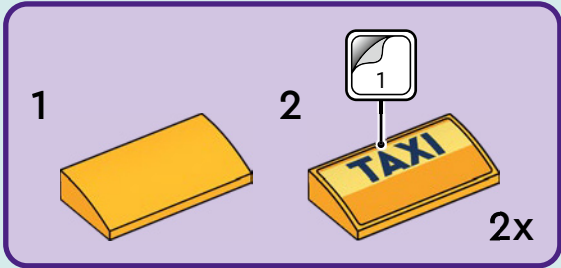
2x

13





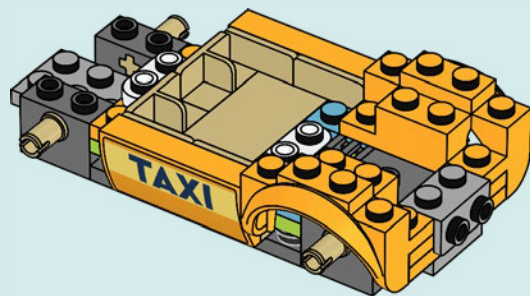
14

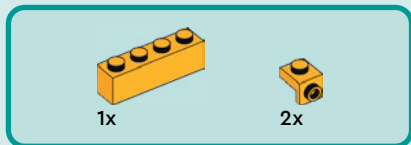




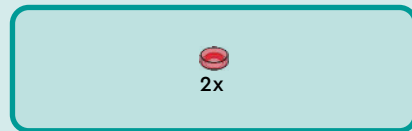
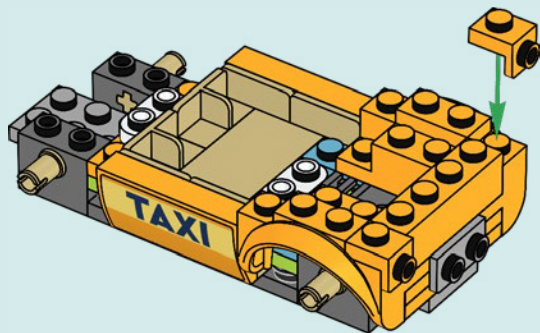
2x

15

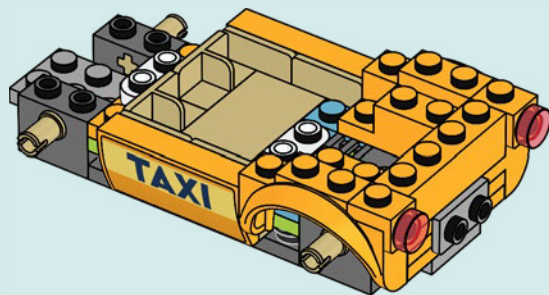




16



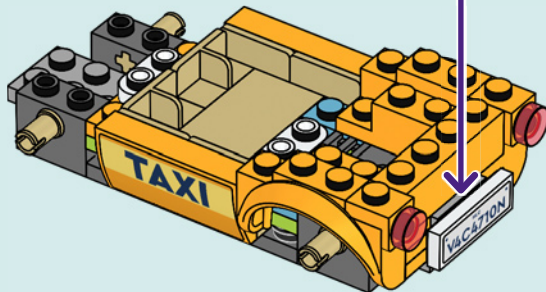
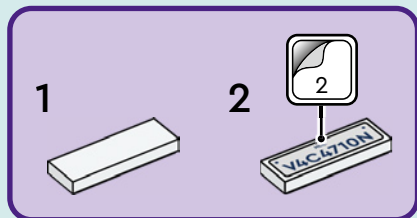
17





1x

18



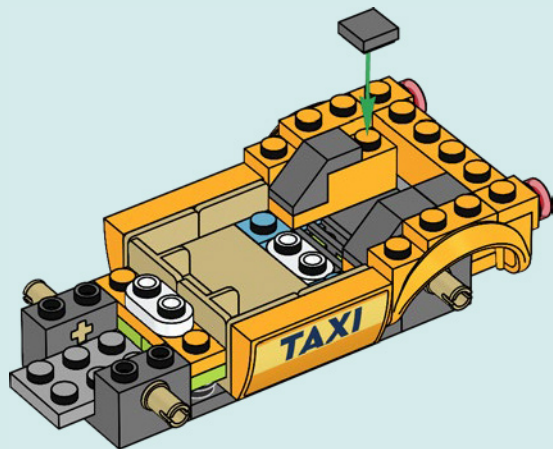


2x



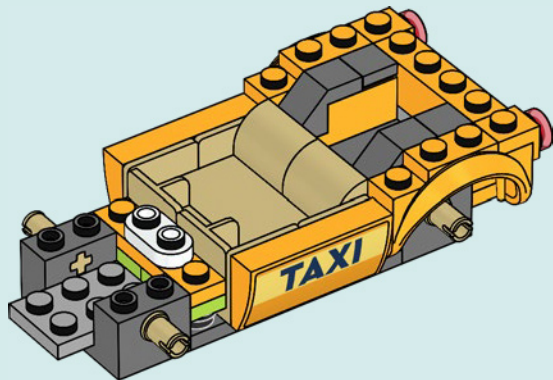
2x

19



2x

20



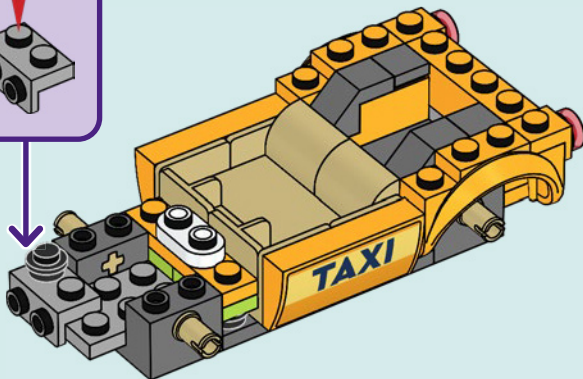
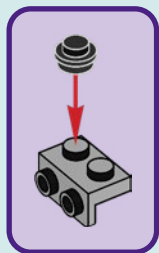


1x



1x

21



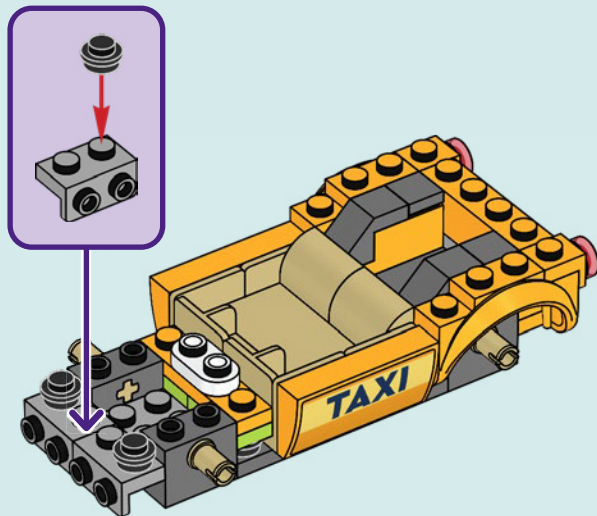


1x



1x

22



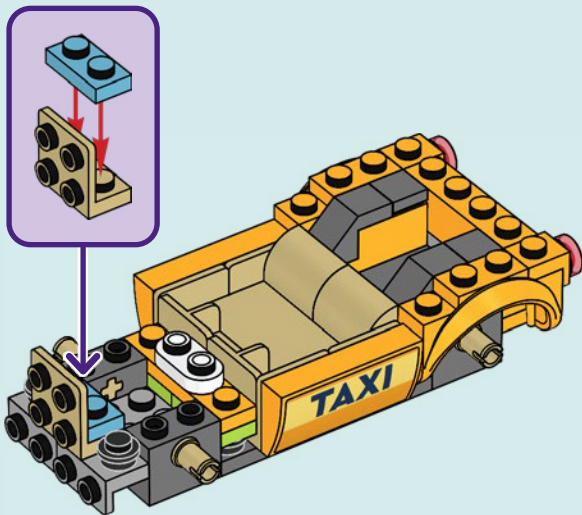


1x



1x

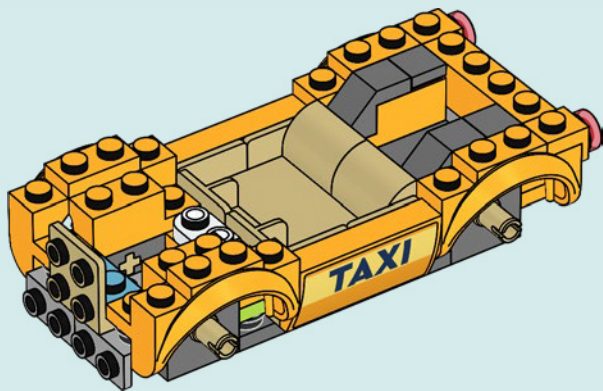
23





2x

24

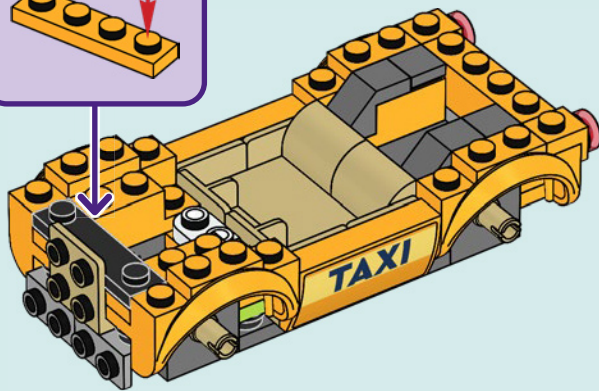
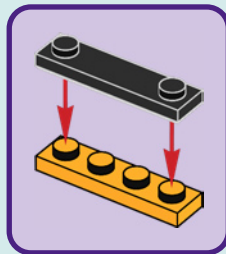


1x



1x

25



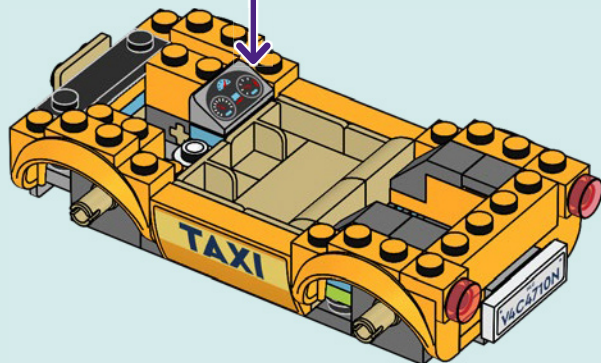
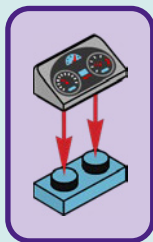


1x



1x

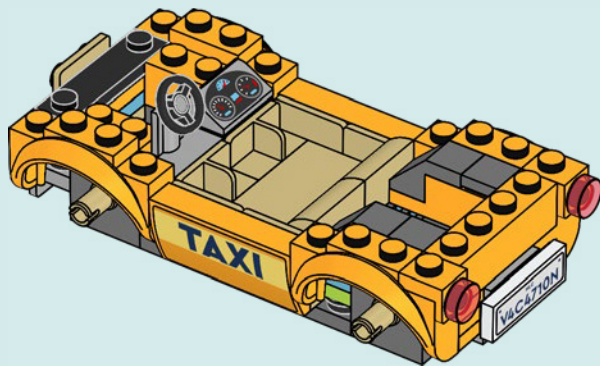
26

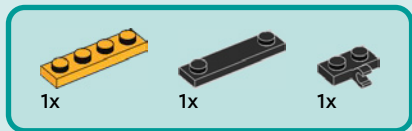




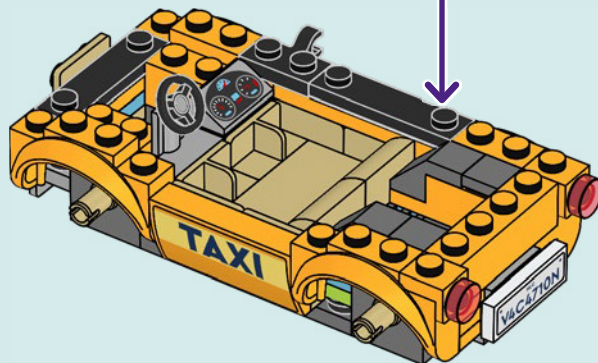
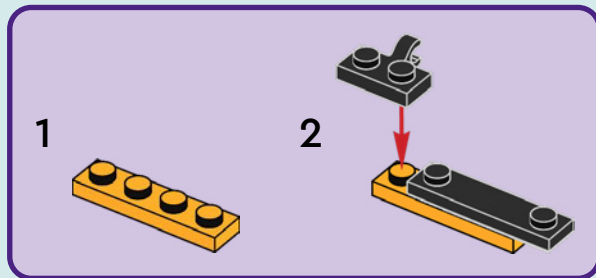
1x

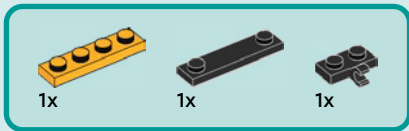
27



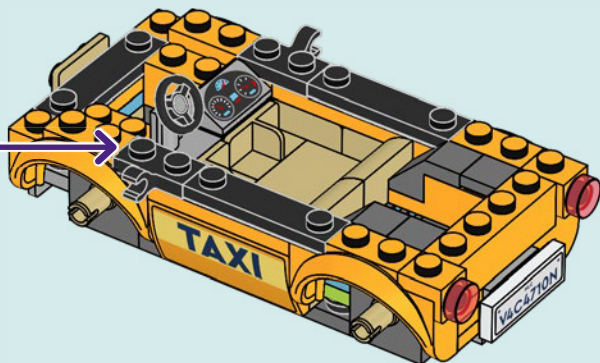
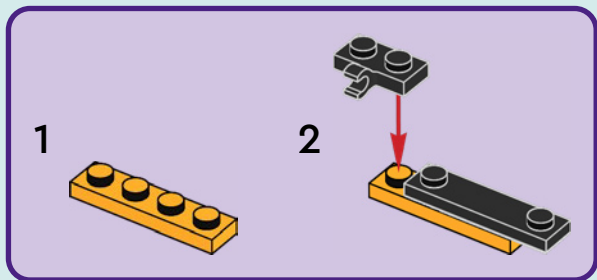


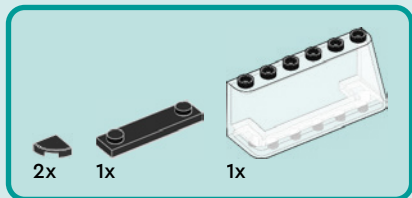
28



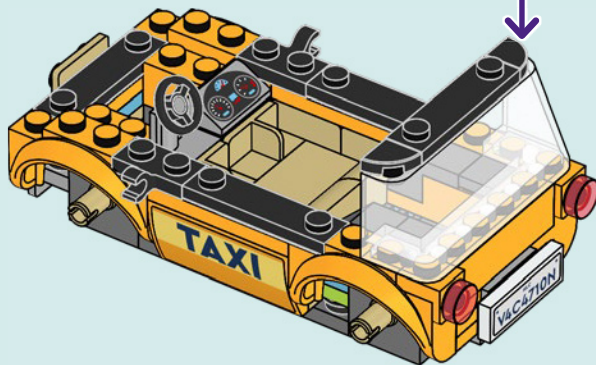
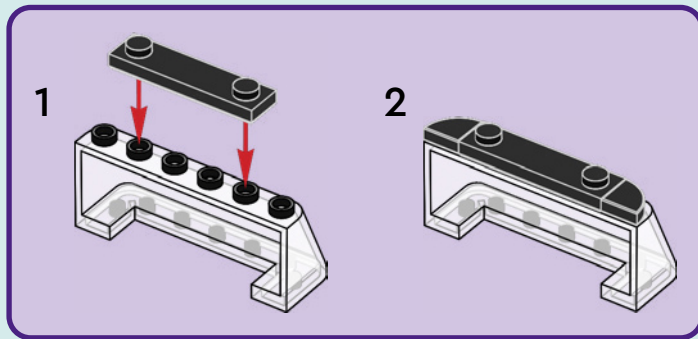


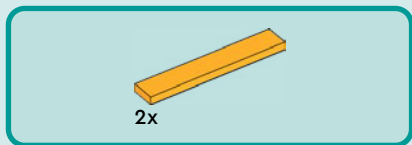
29



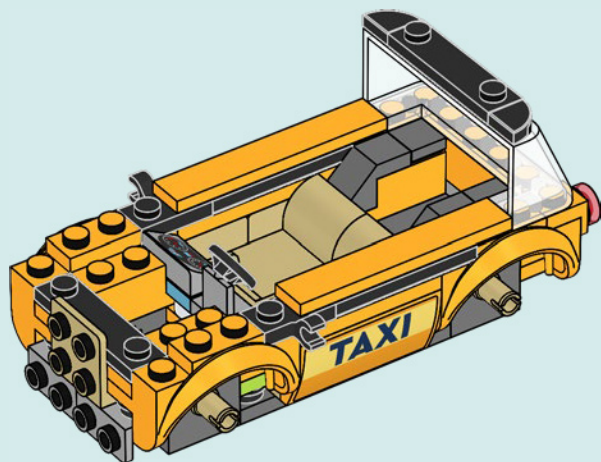


30





31



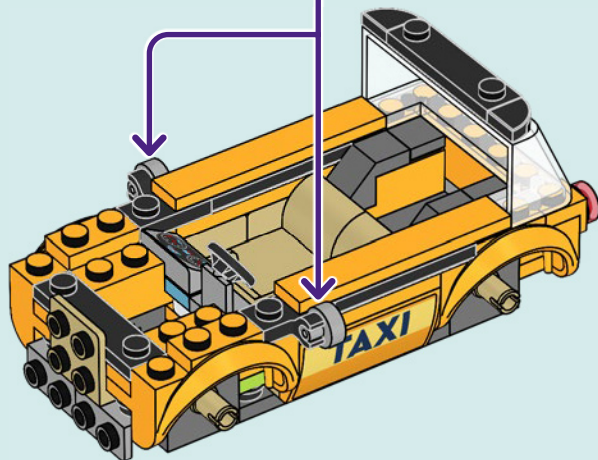


2x

32



2x



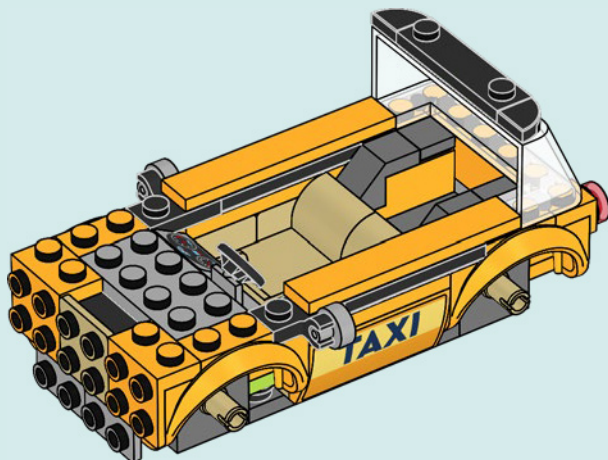


1x



2x

33





2x

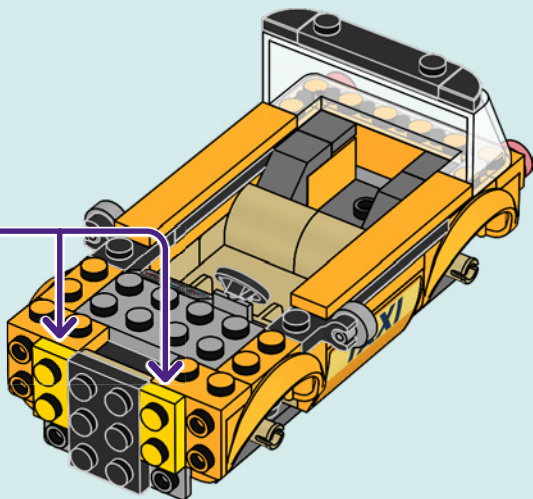


1x

34



2x





2x

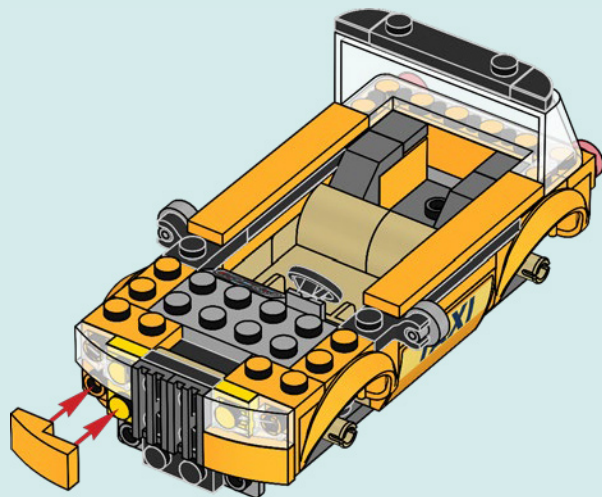


2x



2x

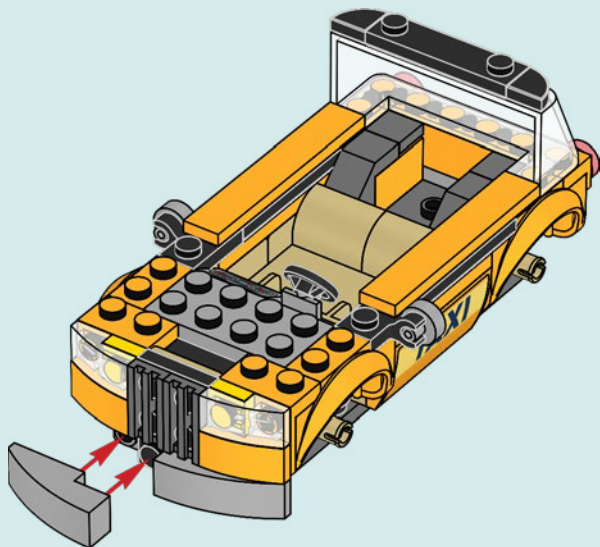
35

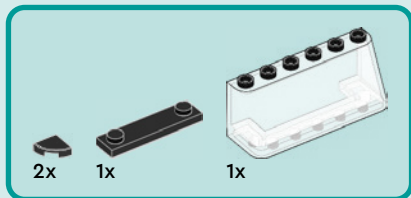




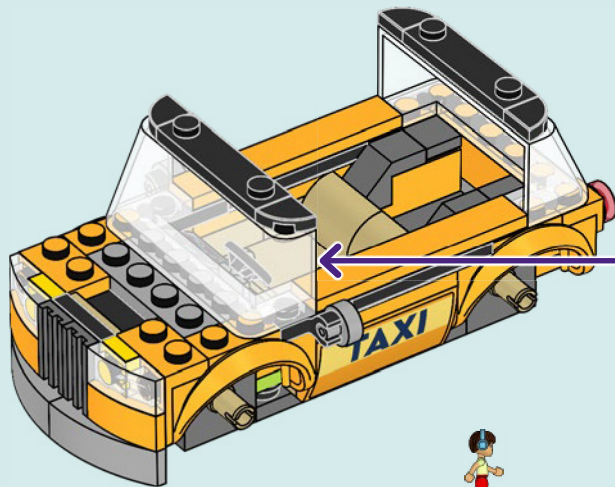
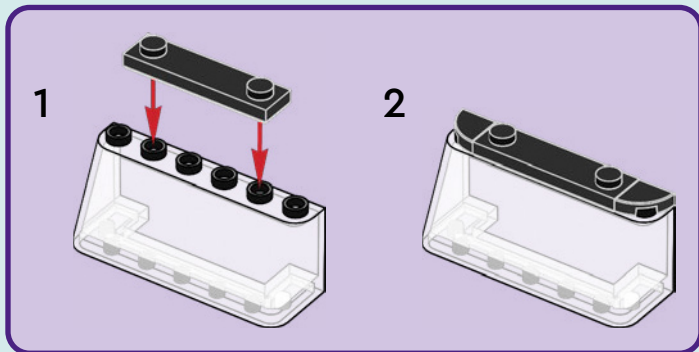
2x

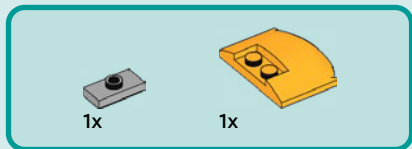
36



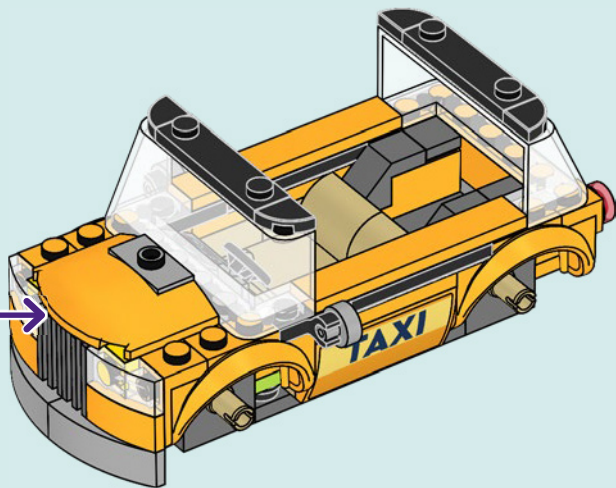
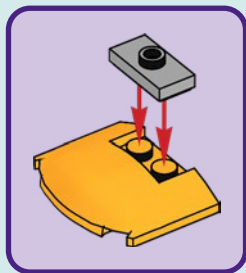


37





38



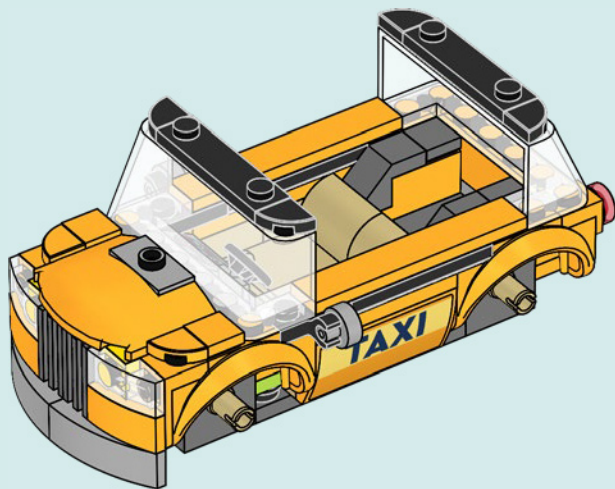


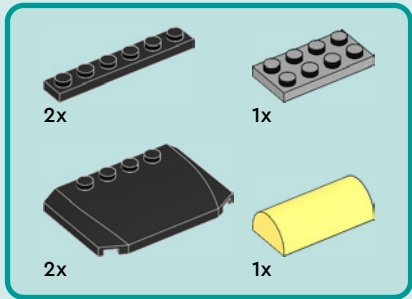
2x



2x

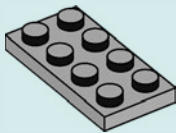
39



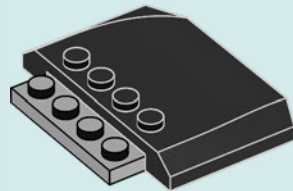


40

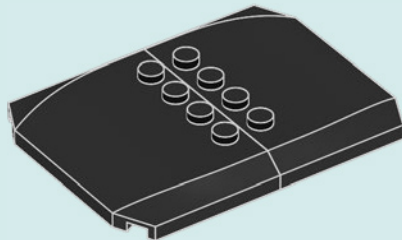
1

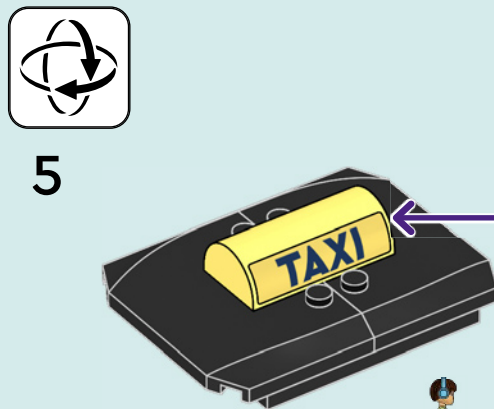
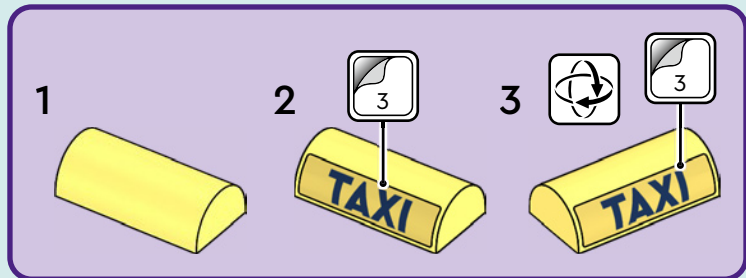
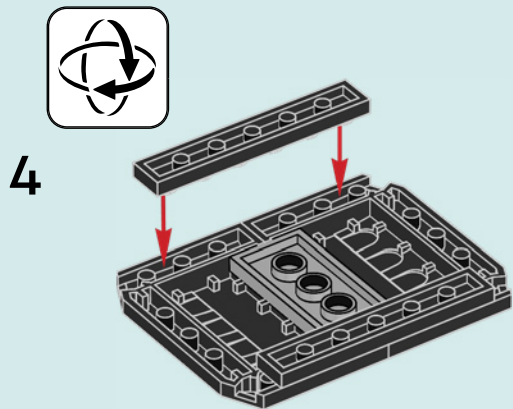


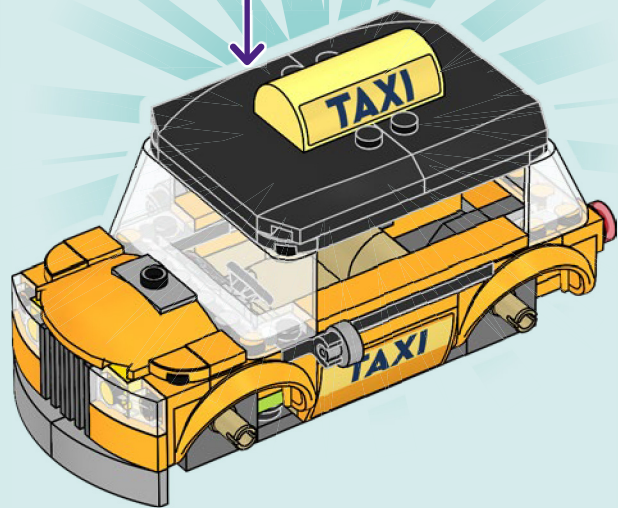
2

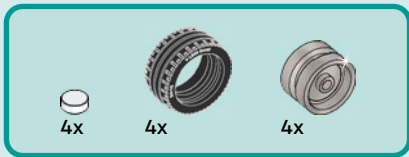


3

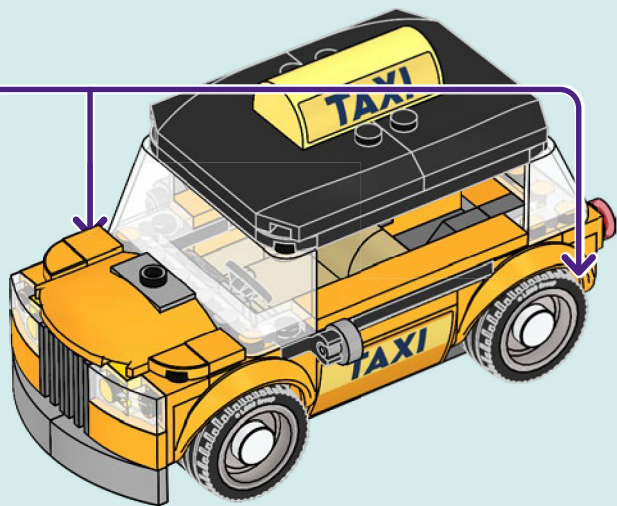
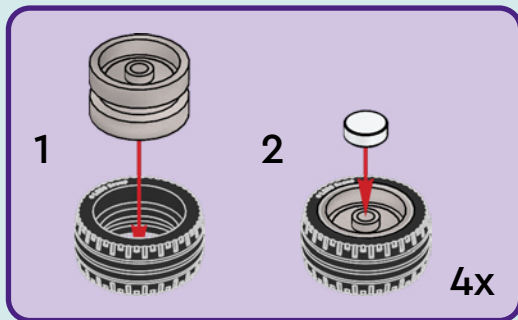


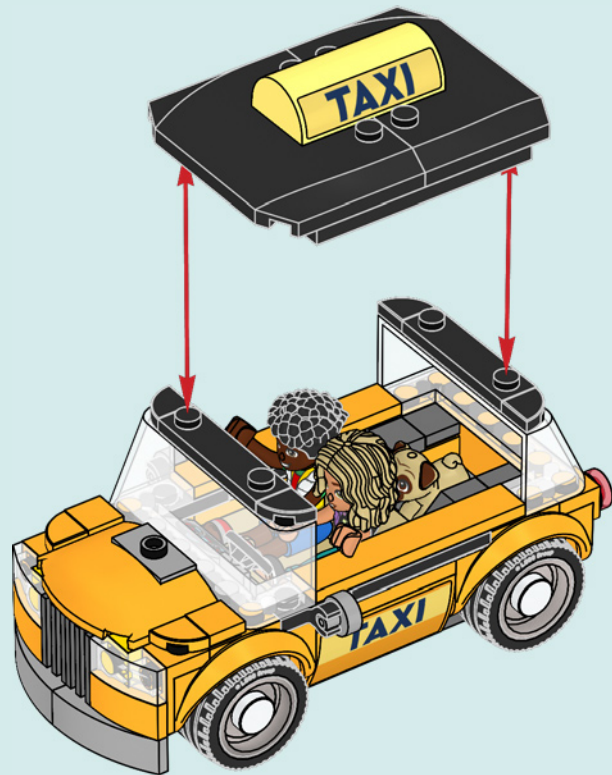






41









LEGO, the LEGO logo and the FRIENDS logo are trademarks of the/son des marques de commerce du/son marcas registradas de LEGO Group.
©2025 The LEGO Group. 6554563