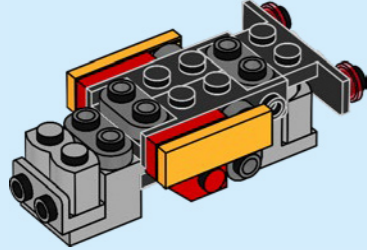
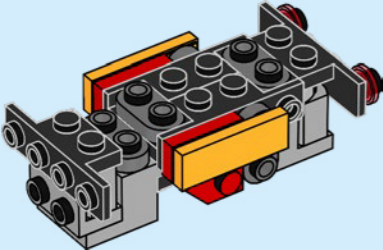


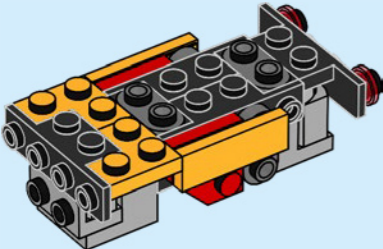
13



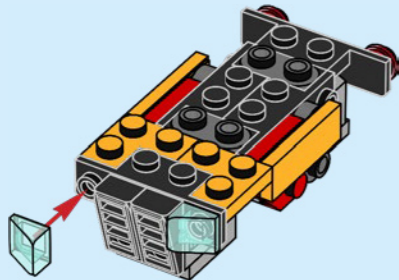
14



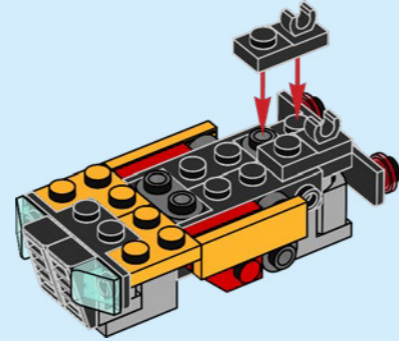
15



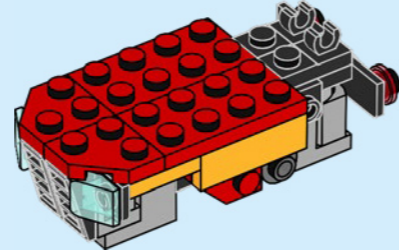
16



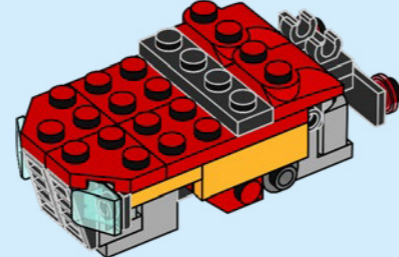
17



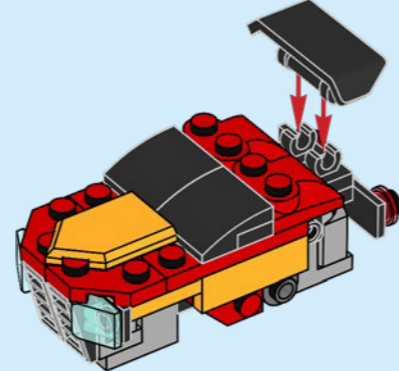
18



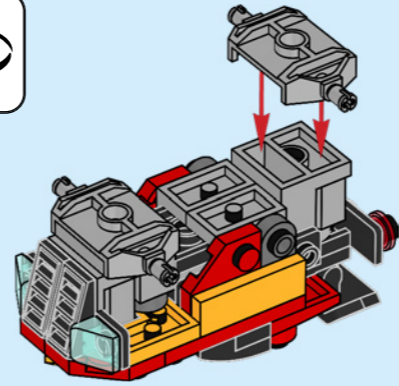
19



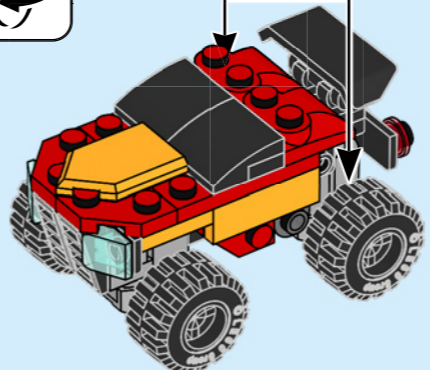
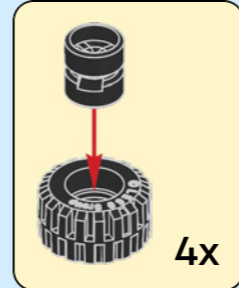
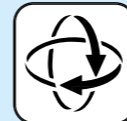
20



21



22



LEGO.com/creator

LEGO.com/service
LEGO and the LEGO logo are trademarks of the LEGO Group.
© 2025 The LEGO Group. 6547738

