



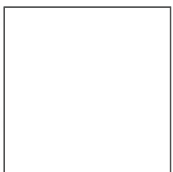
42182



Booklet available in English  
Heft in deutscher Sprache erhältlich  
Livret disponible en français  
Libretto disponibile in italiano  
Folleto disponible en español  
如需中文版手册



LEGO® Builder





LEGO.com/sustainable-packaging



FR  
**DONNEZ  
OU  
RECYCLEZ**



ASSOCIATION

OU



MAGASIN

OU



DÉCHÈTERIE

Adresses sur [quefairedemesdechets.fr](http://quefairedemesdechets.fr)





# BUILDER



Apple and the Apple logo are trademarks of Apple Inc., registered in the U.S. and other countries and regions. App Store is a service mark of Apple Inc. Google Play and the Google Play logo are trademarks of Google LLC. Tencent and the Tencent logo are trademarks of Tencent Inc.

LEGO.com/devicecheck



LEGO® Builder

# ***TO THE MOON AND BACK***

Since the first humans set foot on the Moon in 1969, our exploration of space has yielded new knowledge of the universe that few could have imagined. Early explorations of the Moon, pioneered by NASA's Apollo missions (1961–1972), opened a gateway to innovative technology and extraordinary missions further and further into our solar system. This LEGO® Technic model is inspired by NASA's Apollo 17 Lunar Rover Vehicle, the LRV-3. The rover was a remarkable feat of engineering and exploration and, as part of NASA's final Apollo mission, it played a pivotal role in pushing the boundaries of lunar exploration.



# NASA APOLLO LUNAR ROVING VEHICLE - LRV



1972

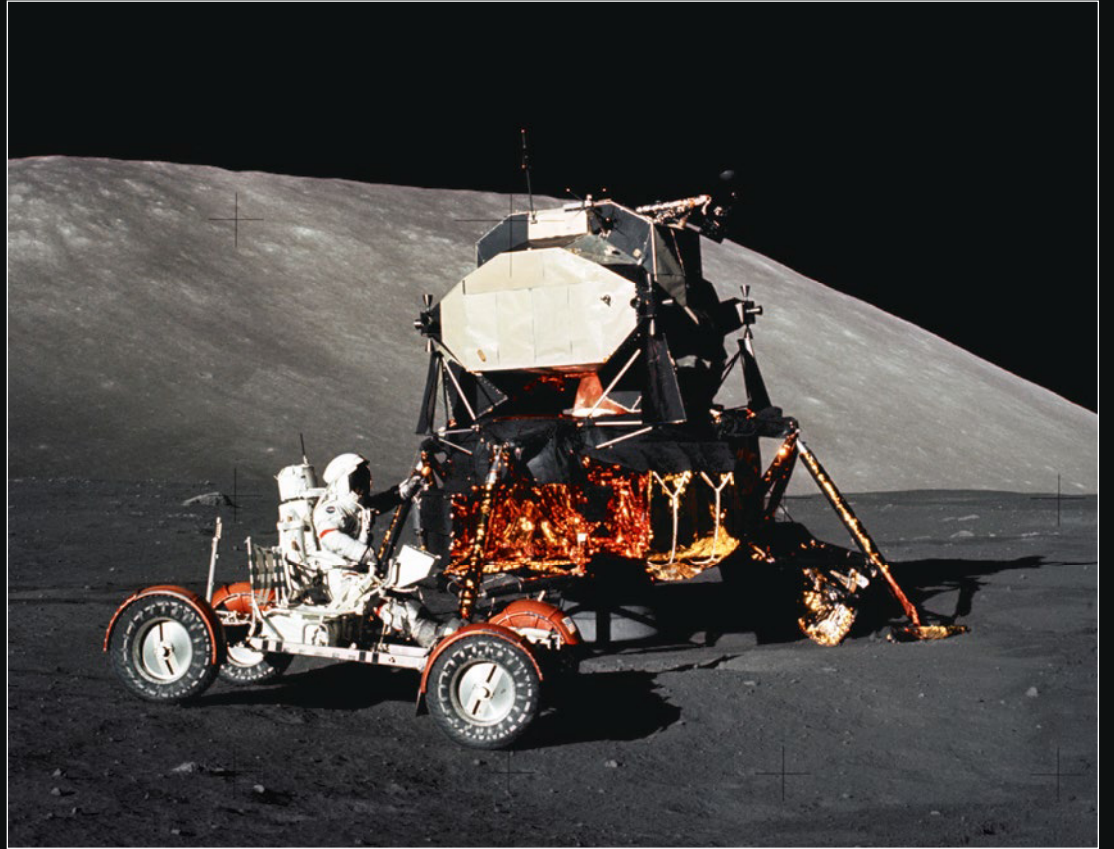
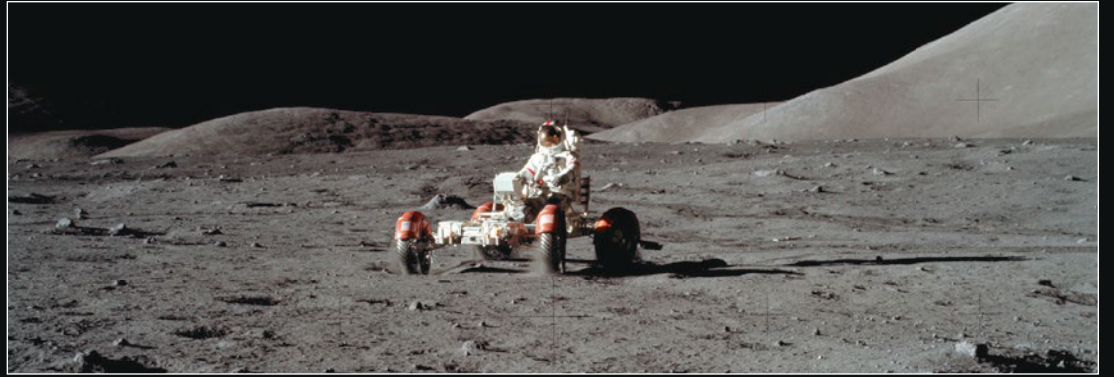
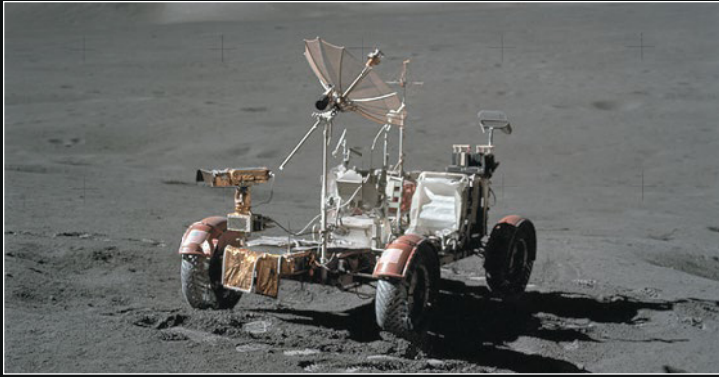
## EXPLORE YOUR LRV-3

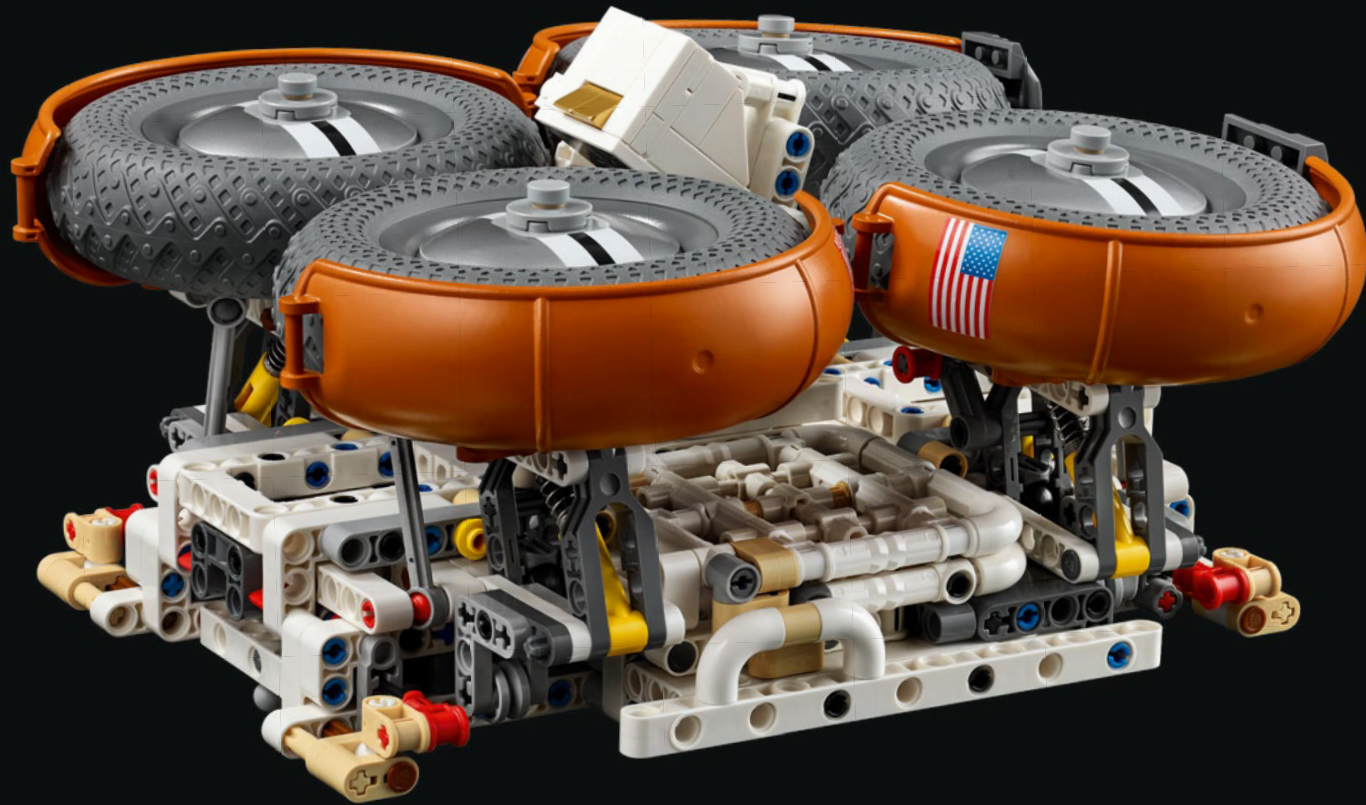
Astronauts completed several expeditions in the LRV-3 to collect rock and soil samples and capture breathtaking images of our closest celestial neighbour. Explore a myriad of equipment, tools and intricate details as you build.

*Olav Krøigaard,  
Designer, LEGO® Technic*









## ***DETAILS ON DISPLAY***

Like its original counterpart, your LEGO® LRV-3 rover can be folded neatly to fit inside an actual lunar lander module for transportation to the Moon. The final model can be displayed as one or in separate sections.





### **FORWARD CHASSIS**

A compass only works with Earth's magnetic fields, so astronauts used a directional gyro and odometer to navigate on the Moon's surface. Moon dust would get everywhere, and a cleaning brush, though not a typical scientific tool, was essential to keep radiators, TV cameras and the rover surface clean.



### **LUNAR COMMUNICATIONS RELAY UNIT (LCRU)**

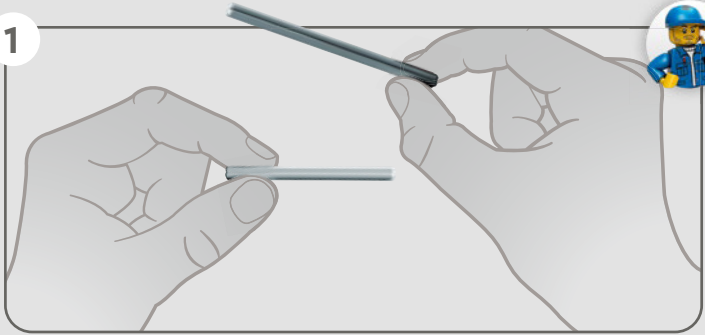
The Lunar Communications Relay Unit was the most important communications link for astronauts during extra-vehicular activities on the Moon. The high- and low-gain antennas connected astronauts with Houston Mission Control Center.



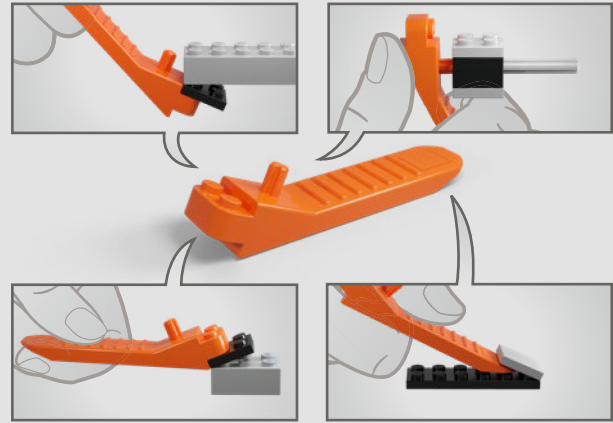
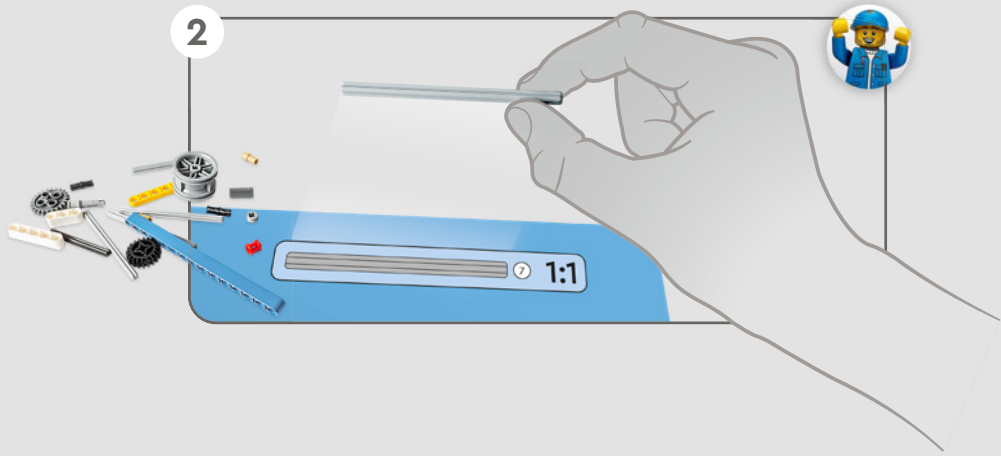
### **AFT PALLET ASSEMBLY**

Astronauts conducted a series of scientific experiments, including active and passive seismic activity and profiling, while using and storing tools and samples on the aft pallet assembly. The LEGO® 'rock' in the back represents 'Big Muley', a four-billion-year-old rock collected by Apollo 16.

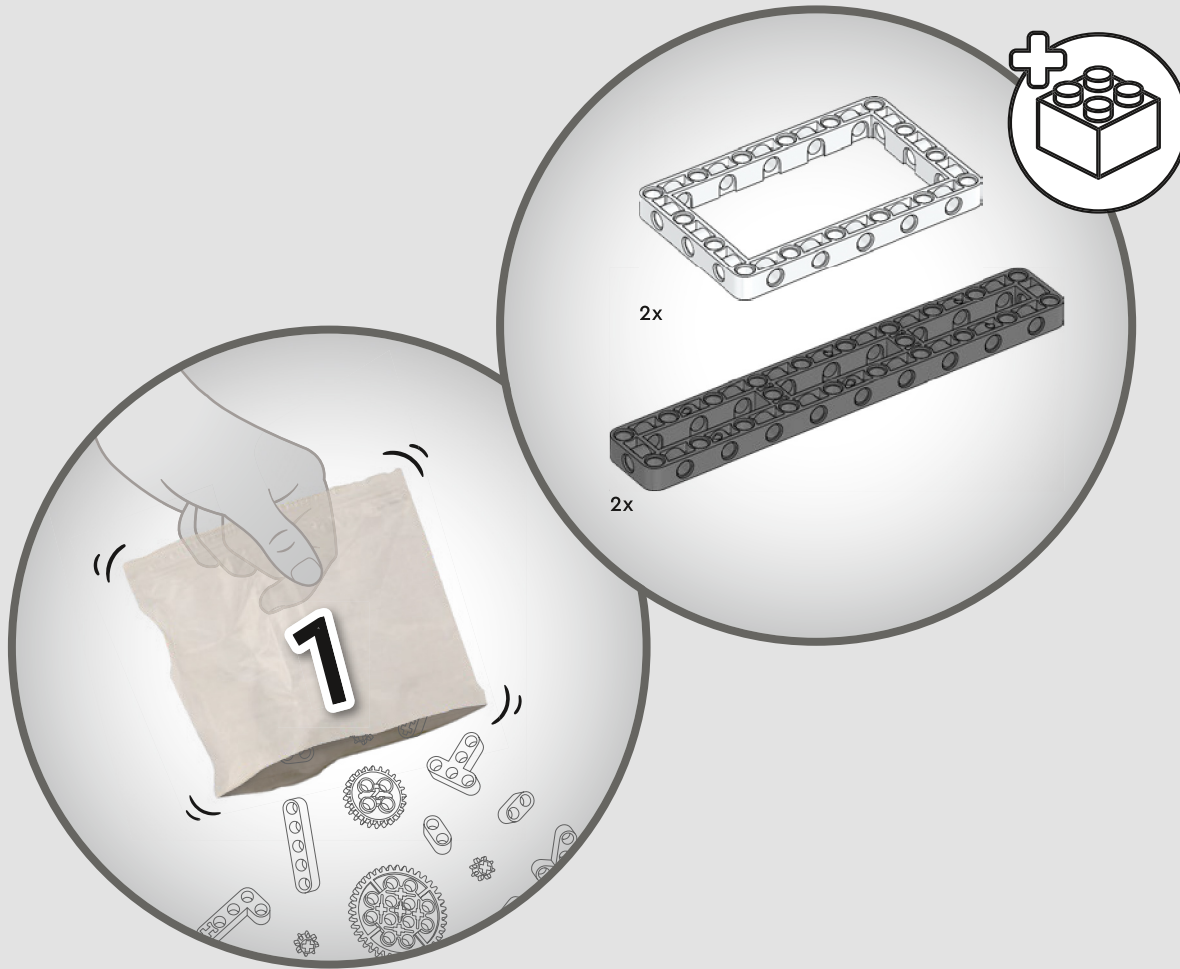
1

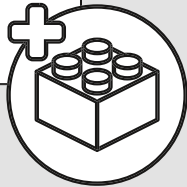
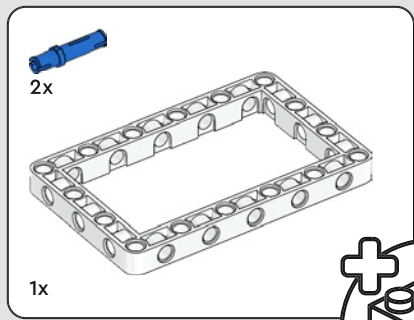


2

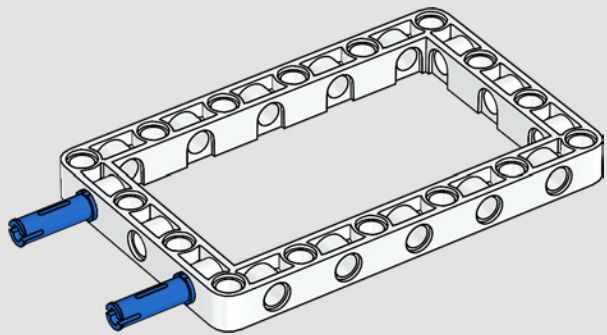




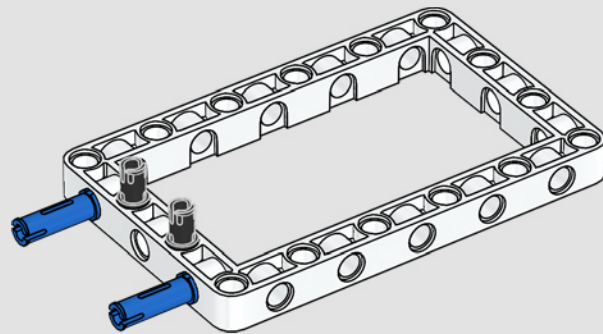




1



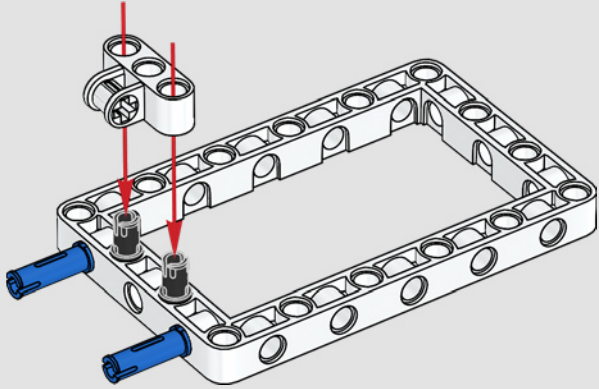
2





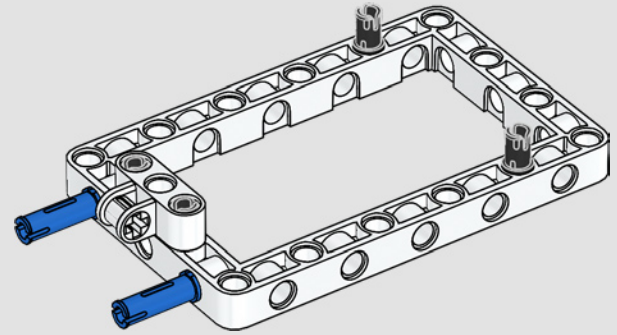
1x

3

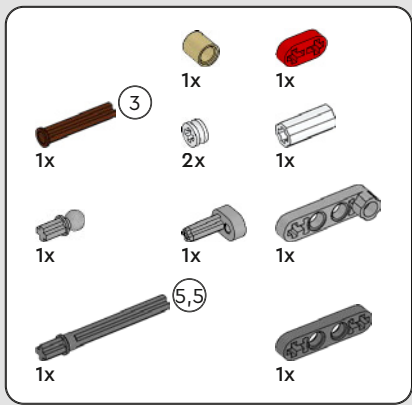


2x

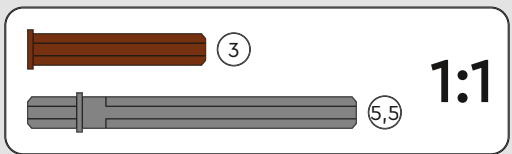
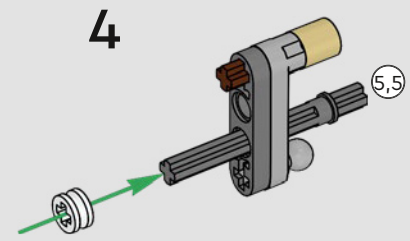
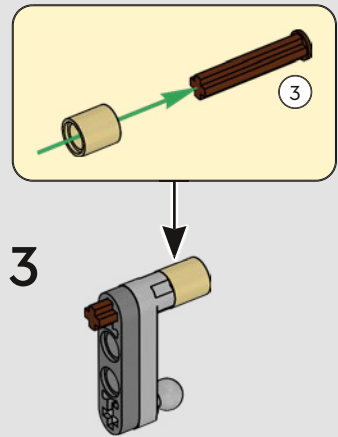
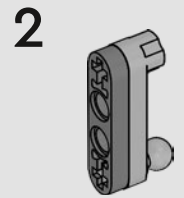
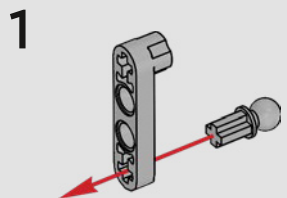
4

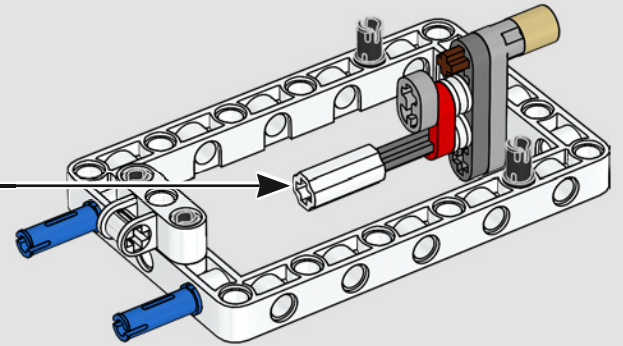
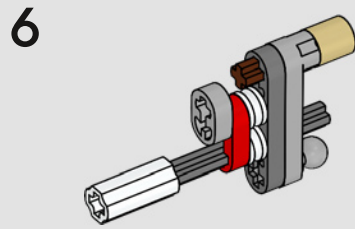
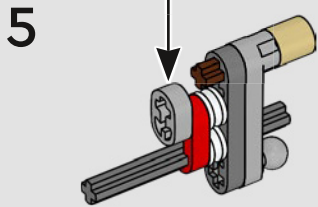
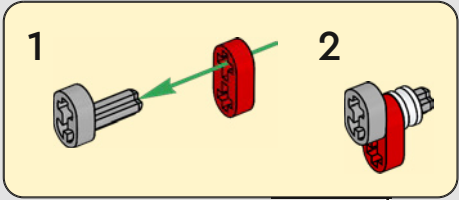


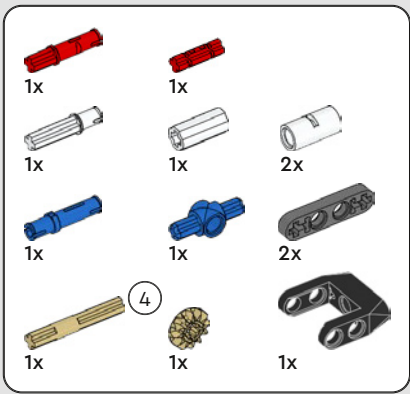




# 5

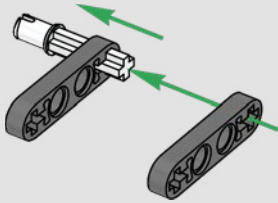




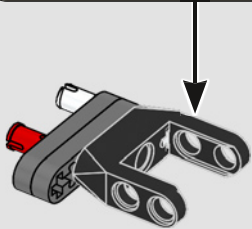
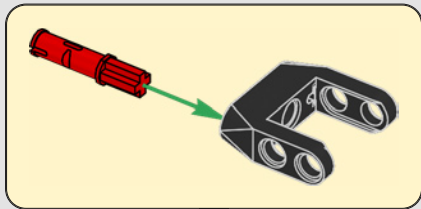


6

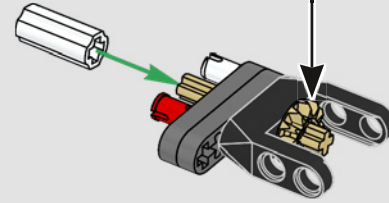
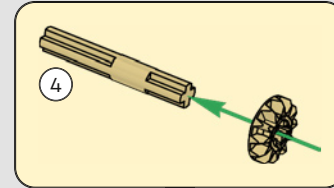
1



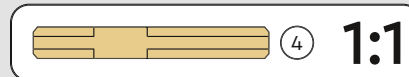
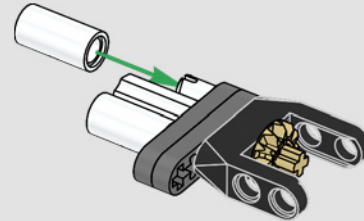
2



3

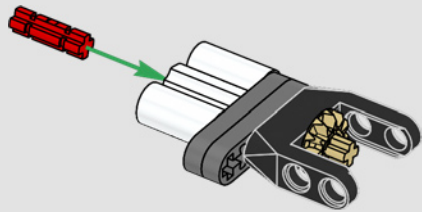


4

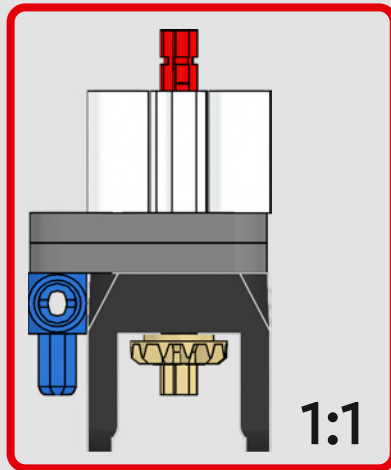
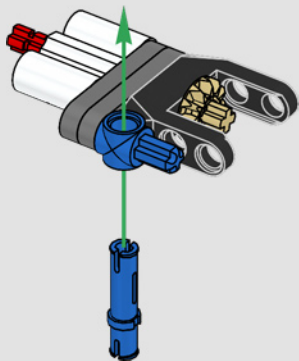




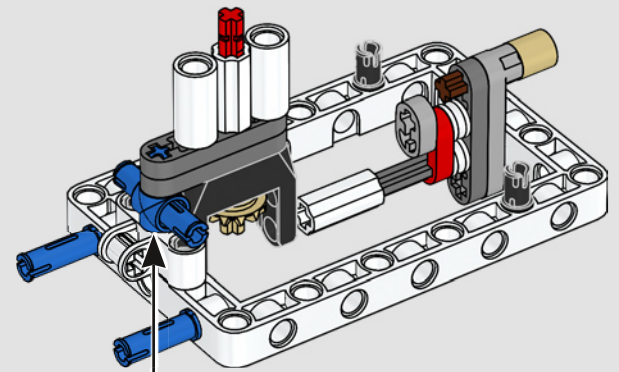
5

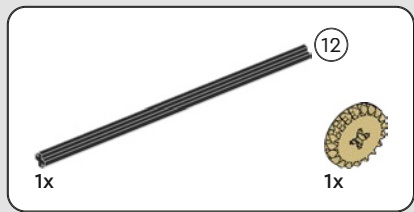


6

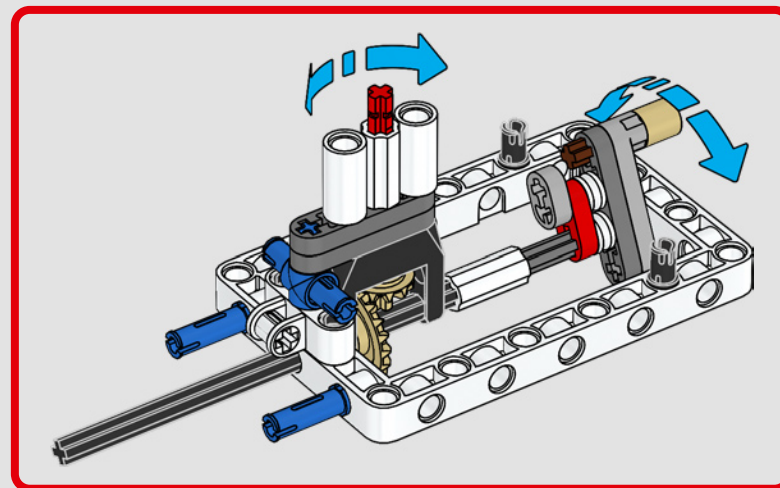
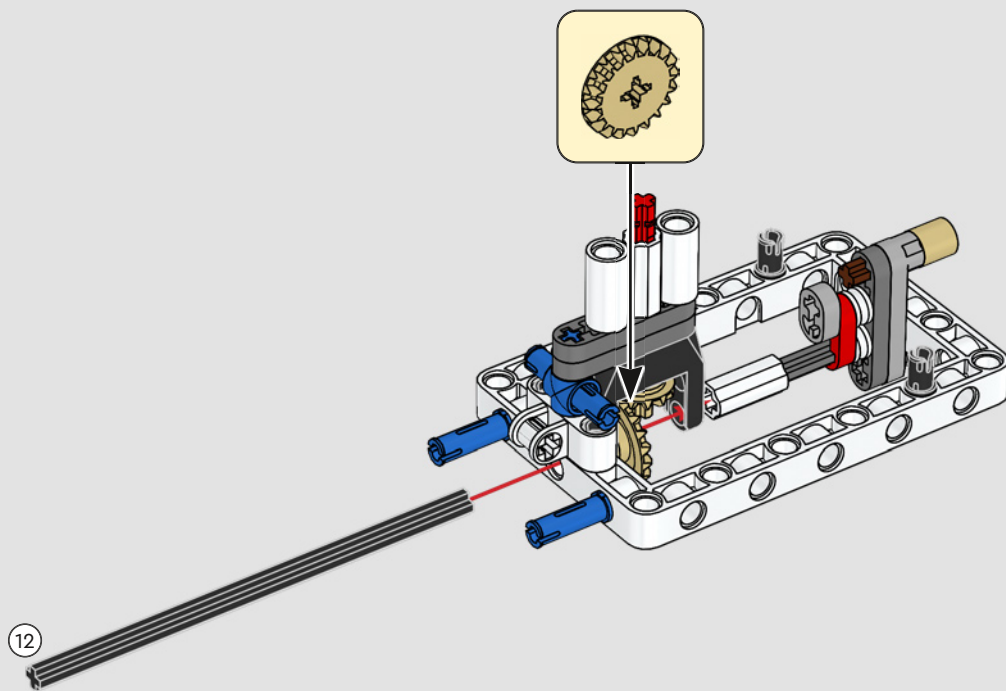


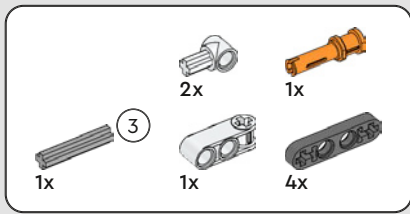
1:1



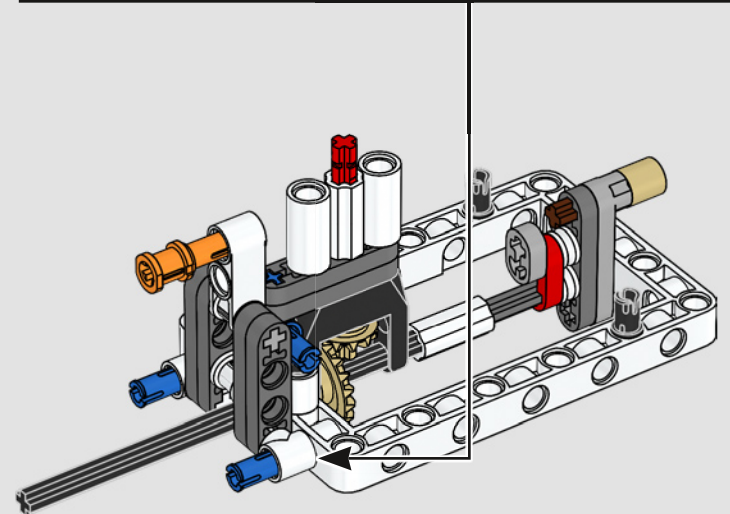
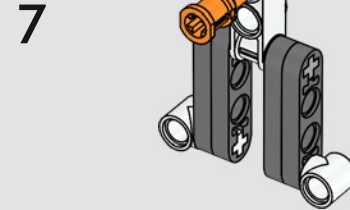
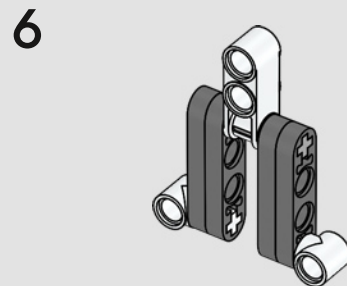
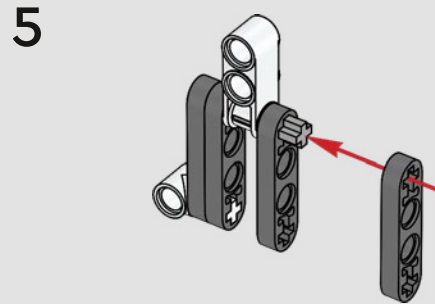
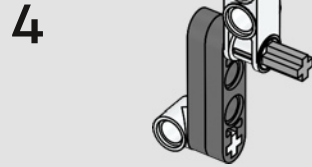
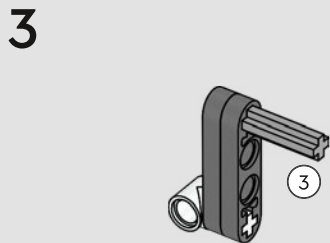
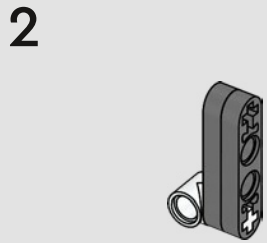
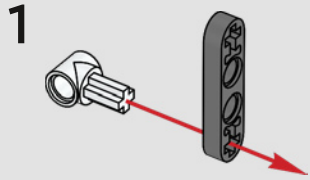


7

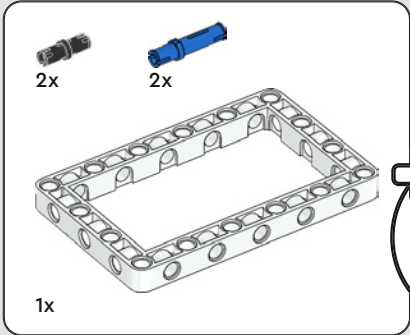
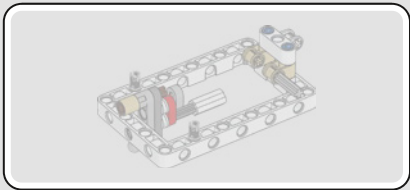




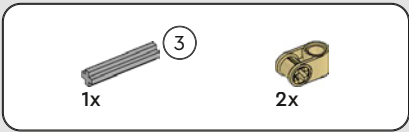
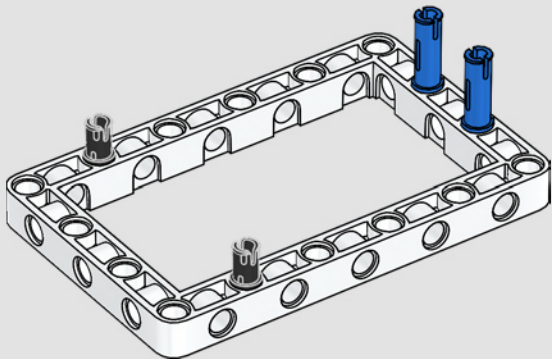
8



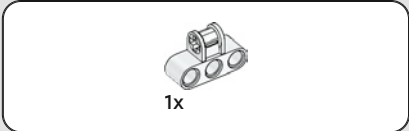
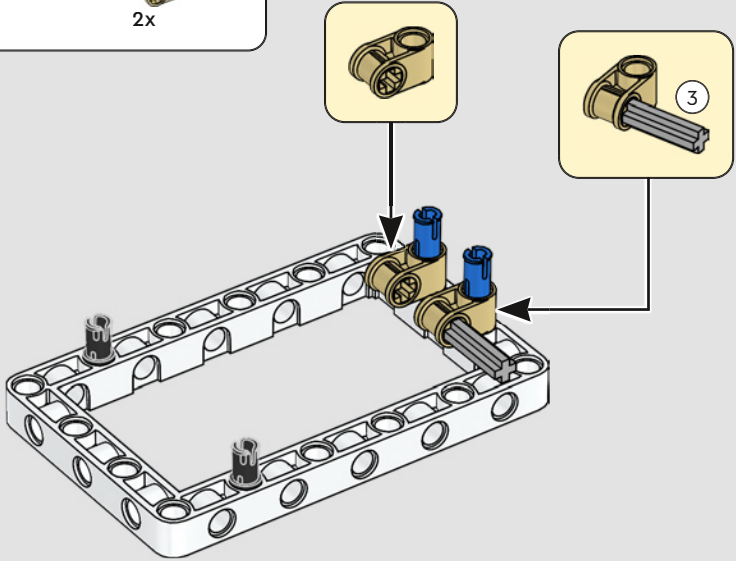




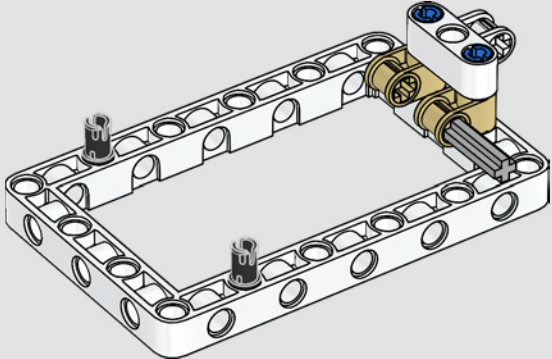
9

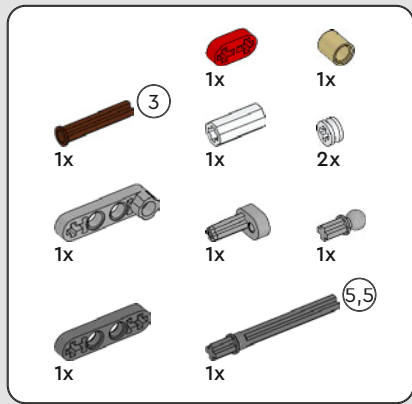


10

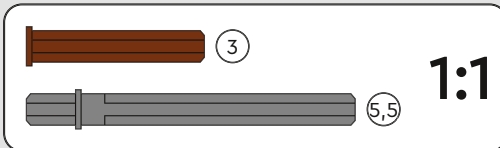
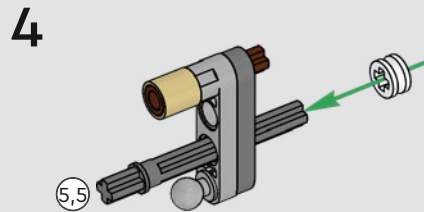
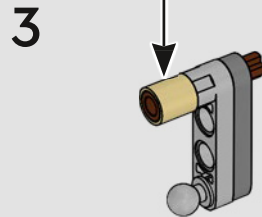
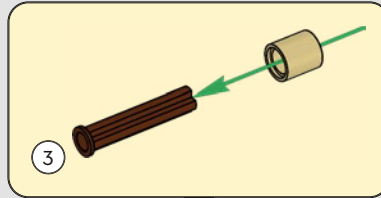
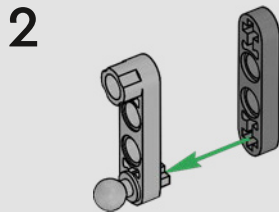
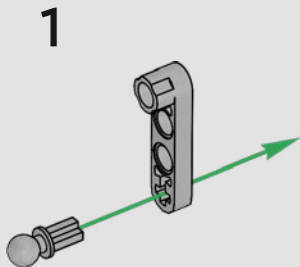


11

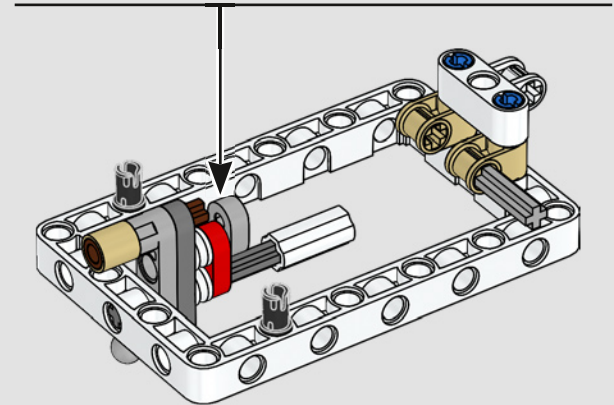
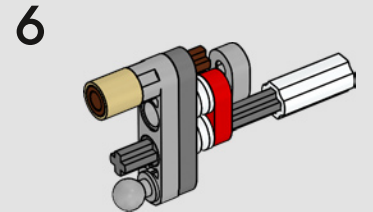
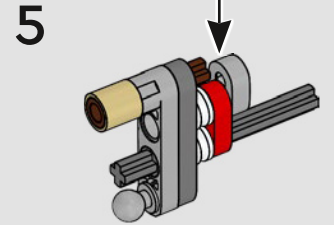
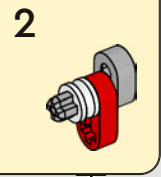
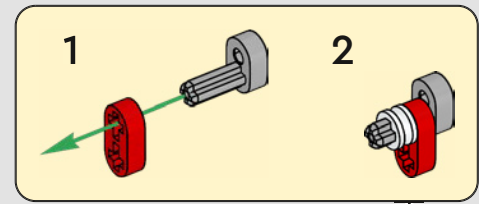




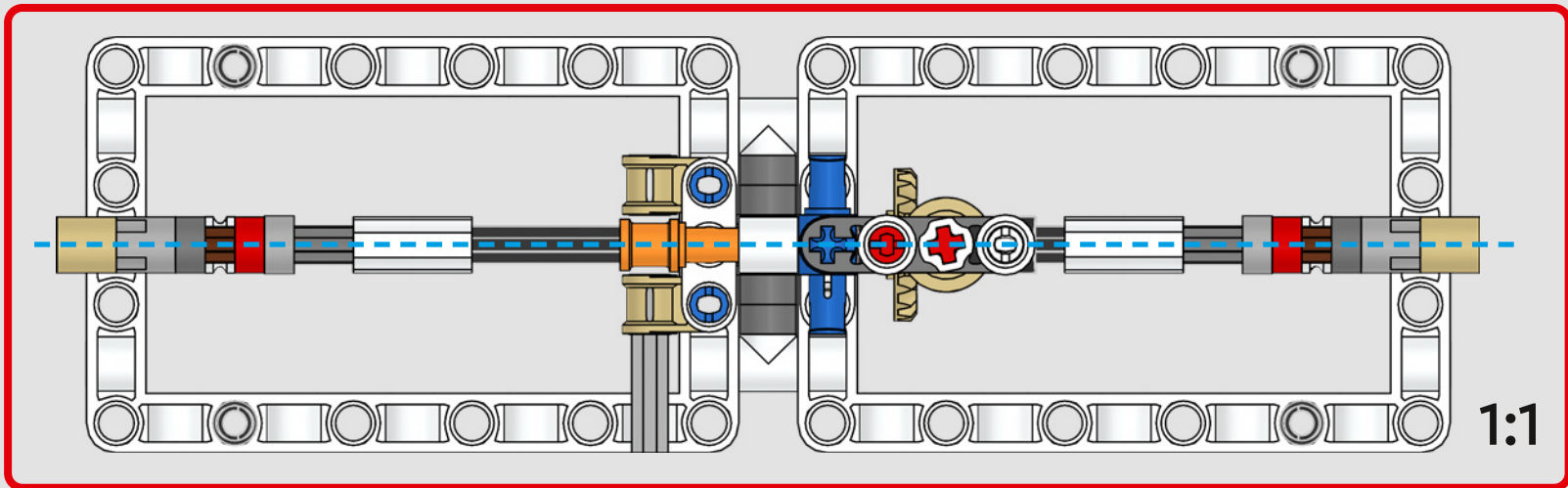
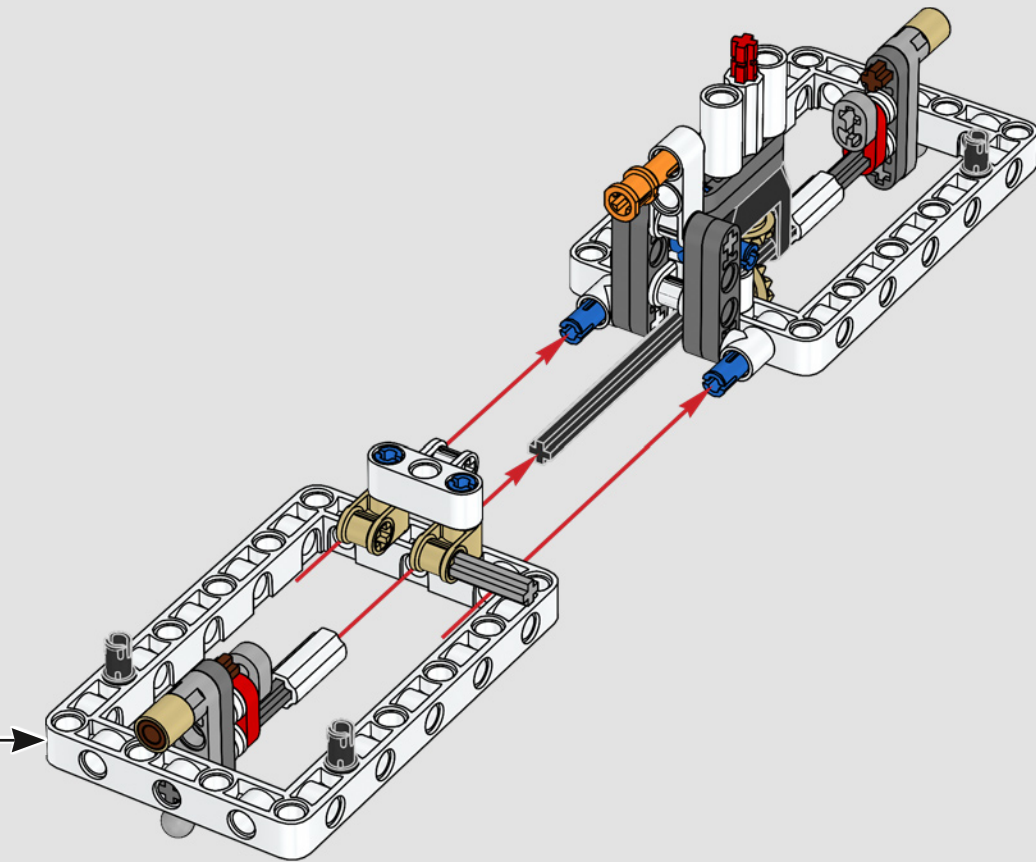
12



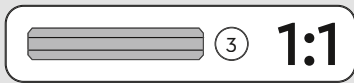
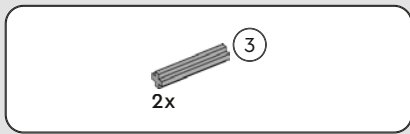
1:1



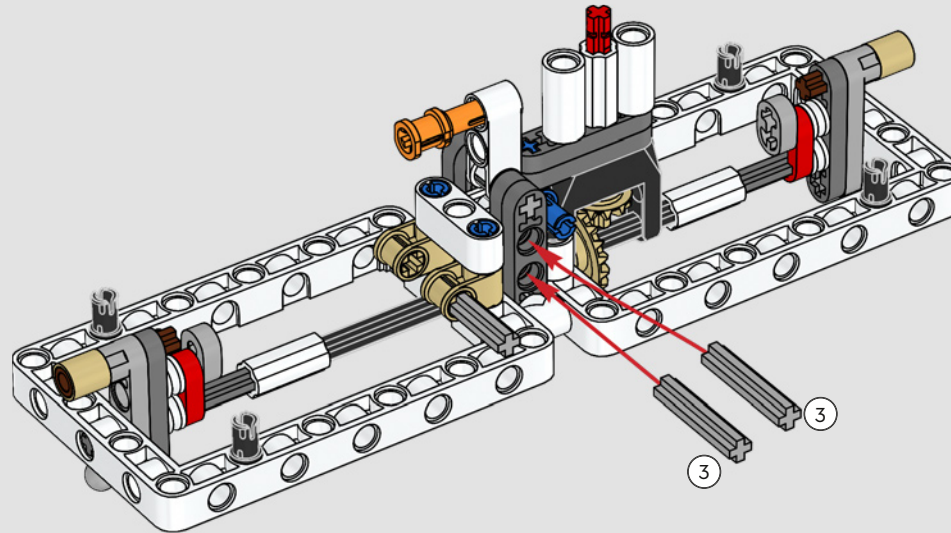
13

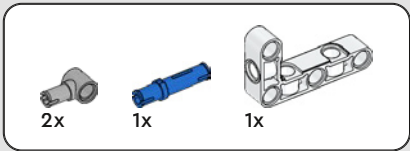




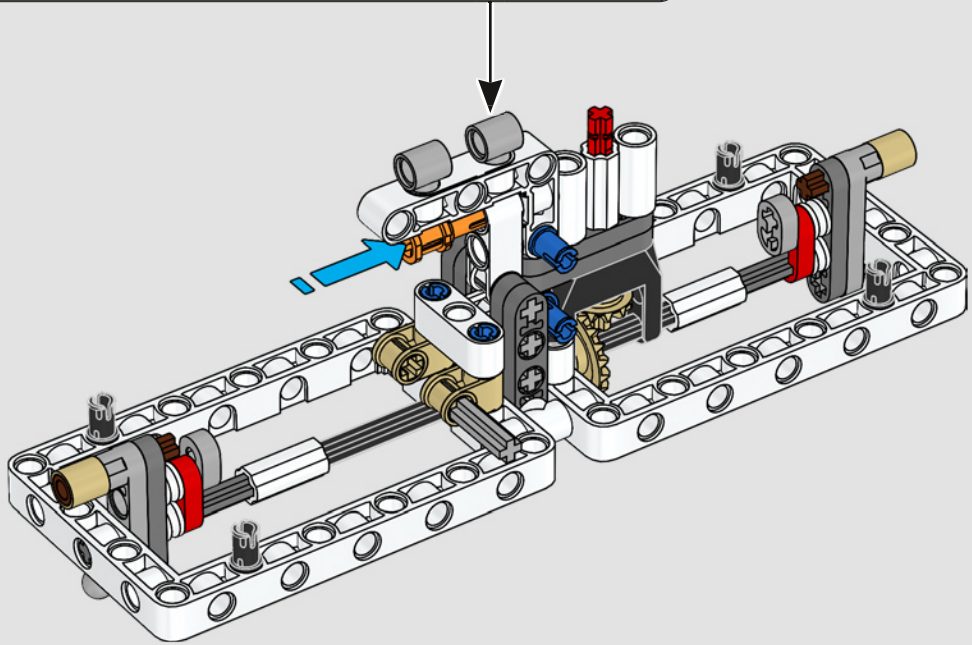
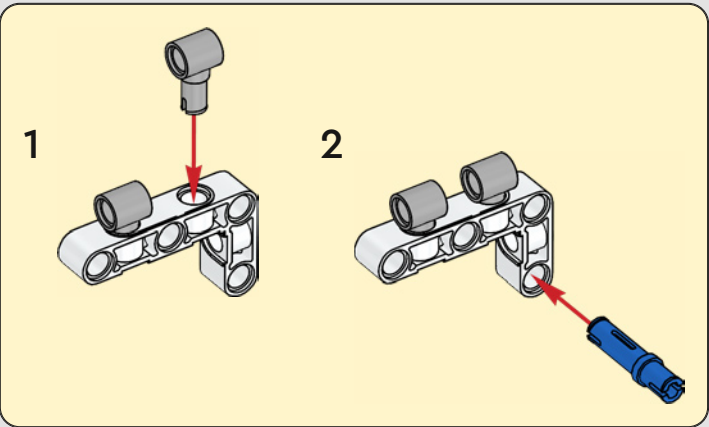


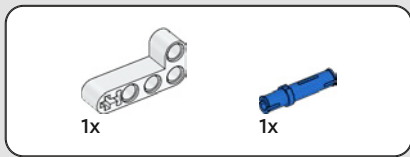
14



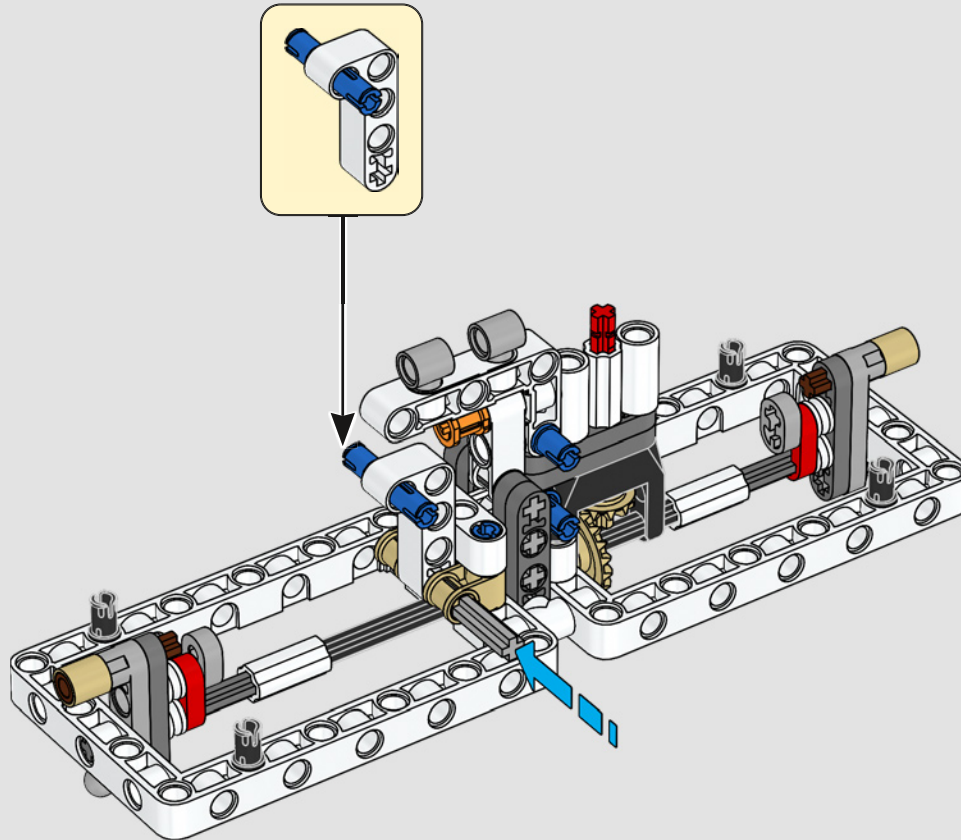


15





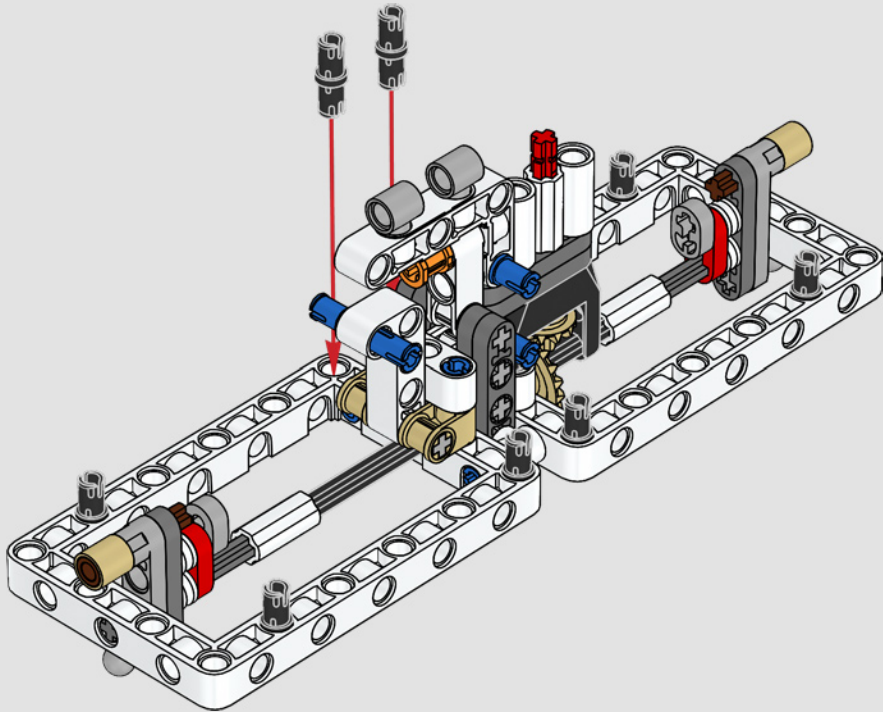
16





4x

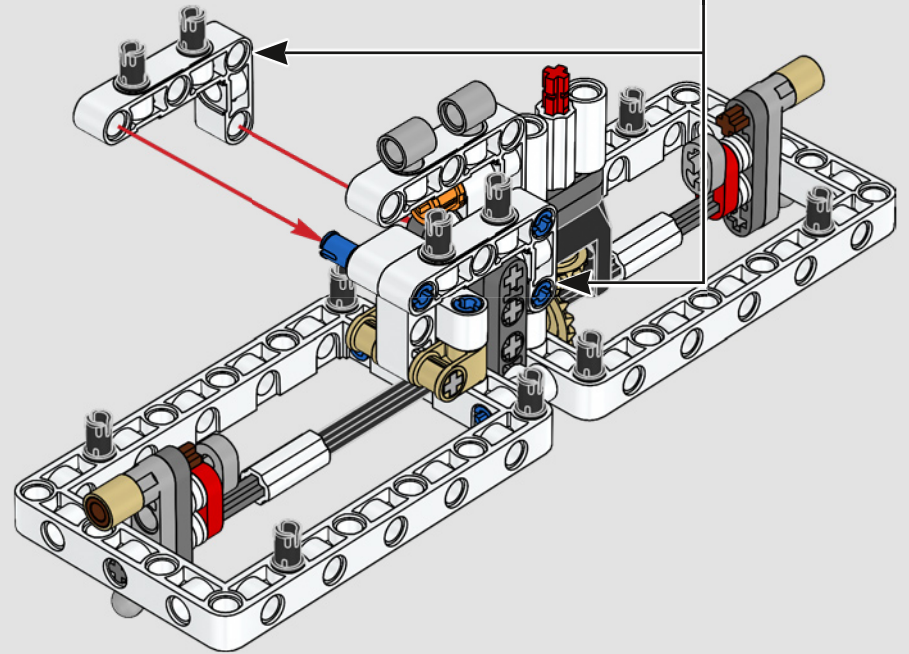
17



4x

2x

18



2x

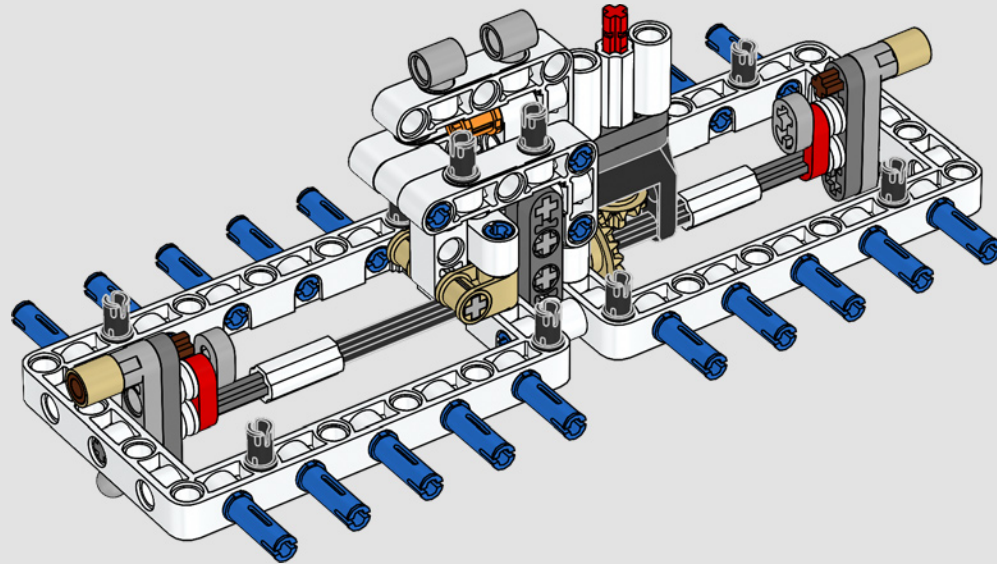


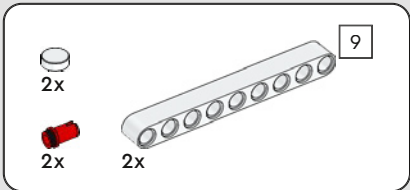




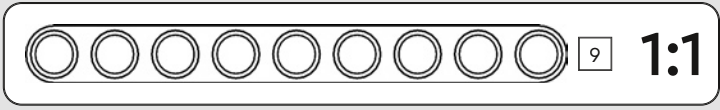
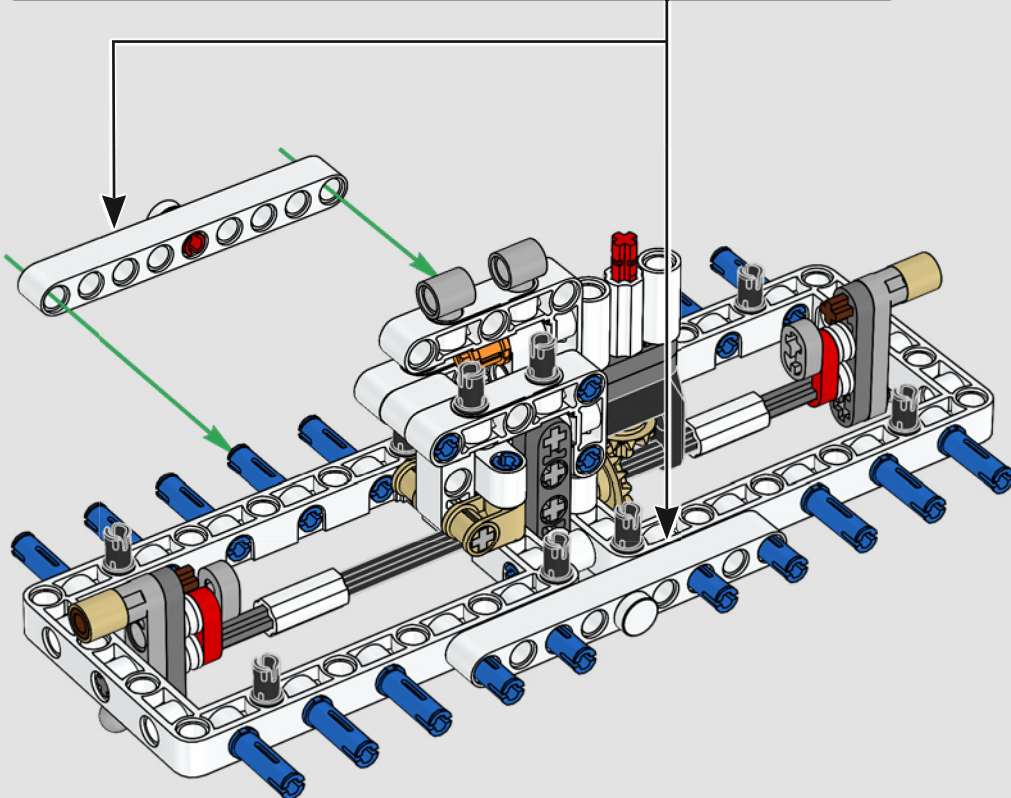
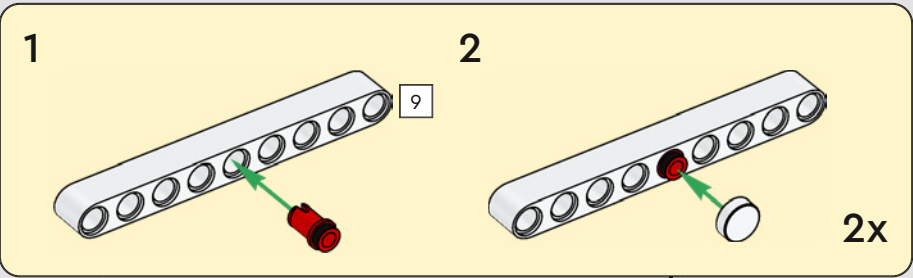
20x

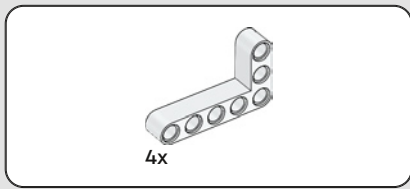
19



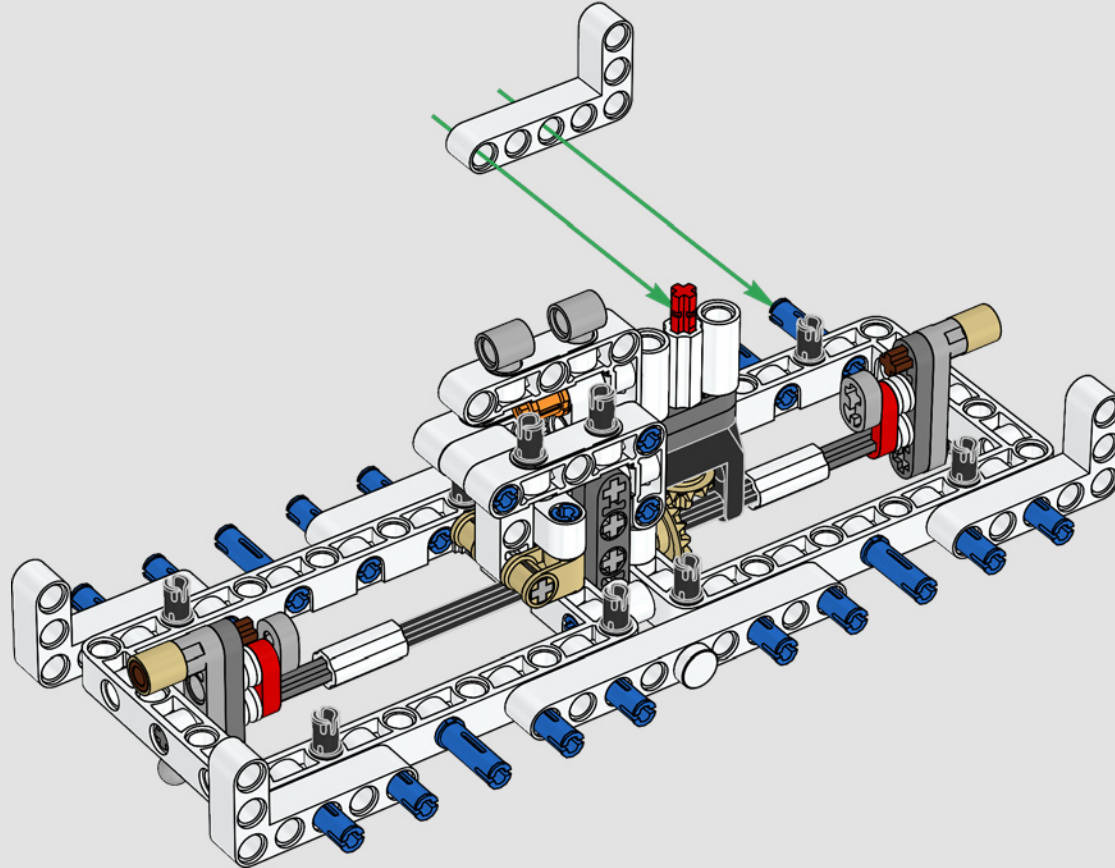


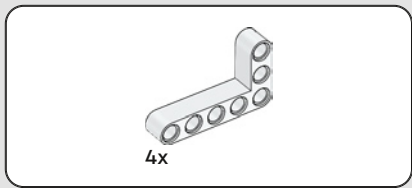
20



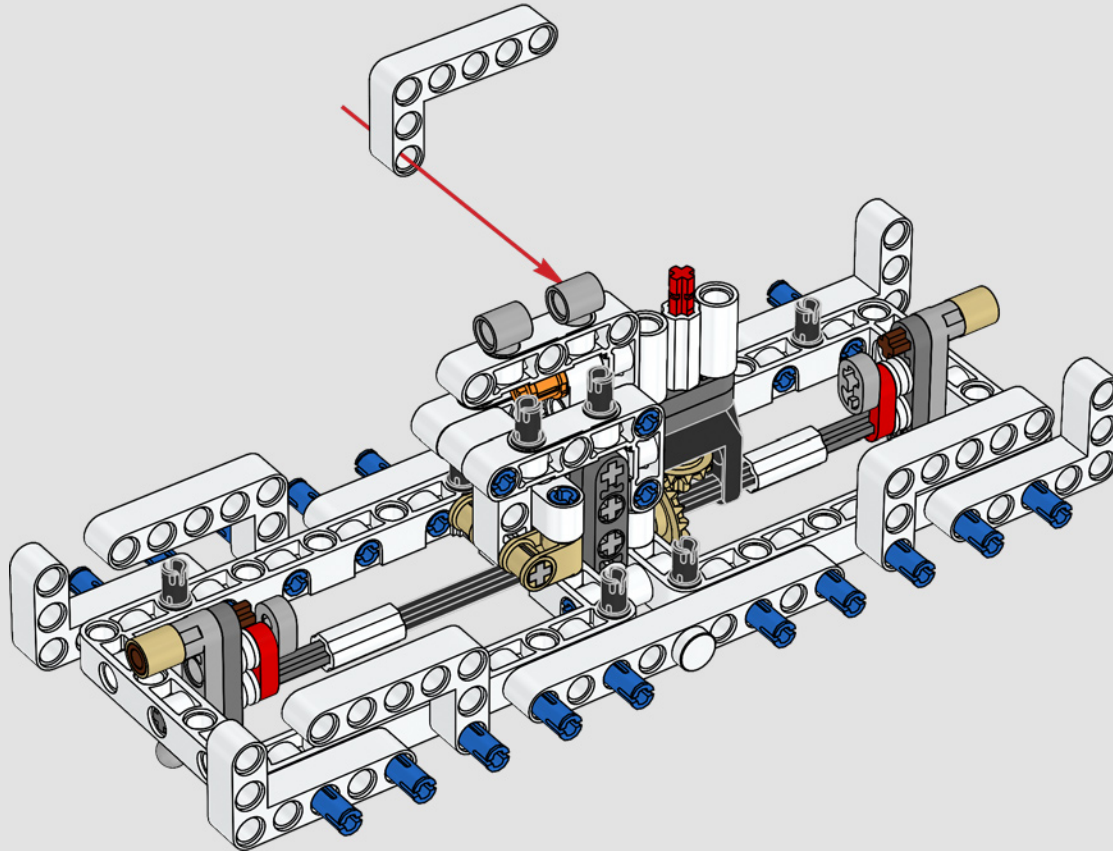


21

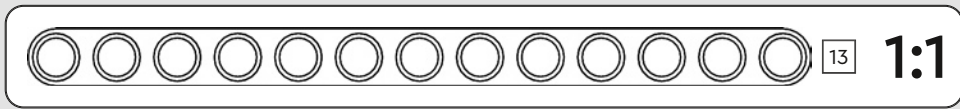
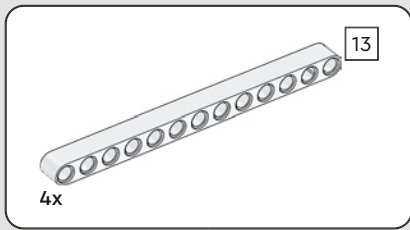




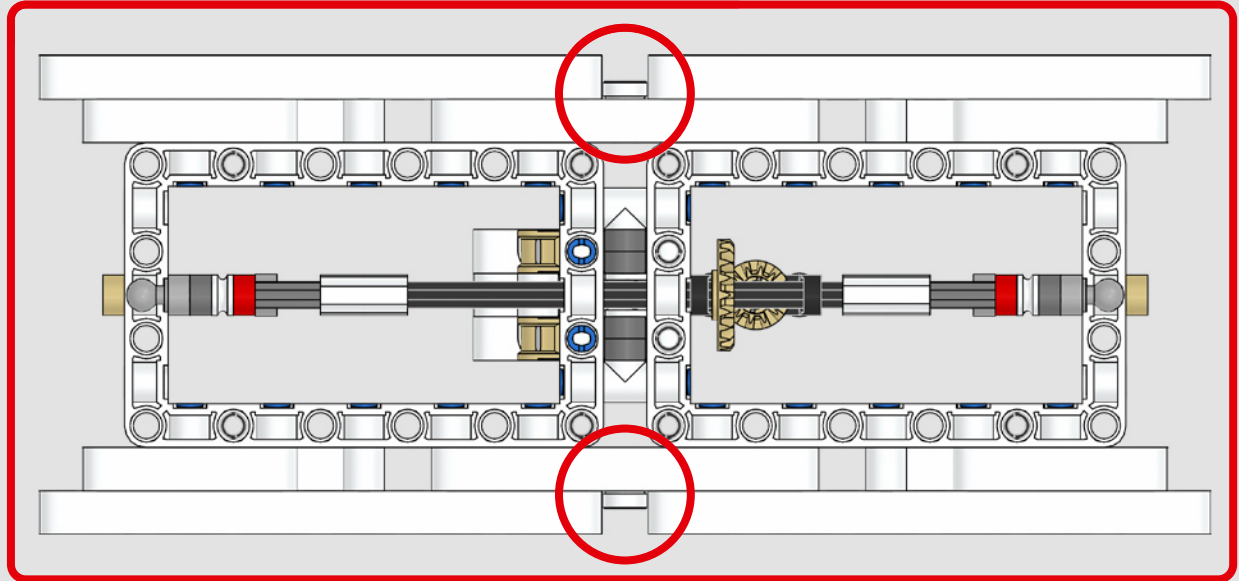
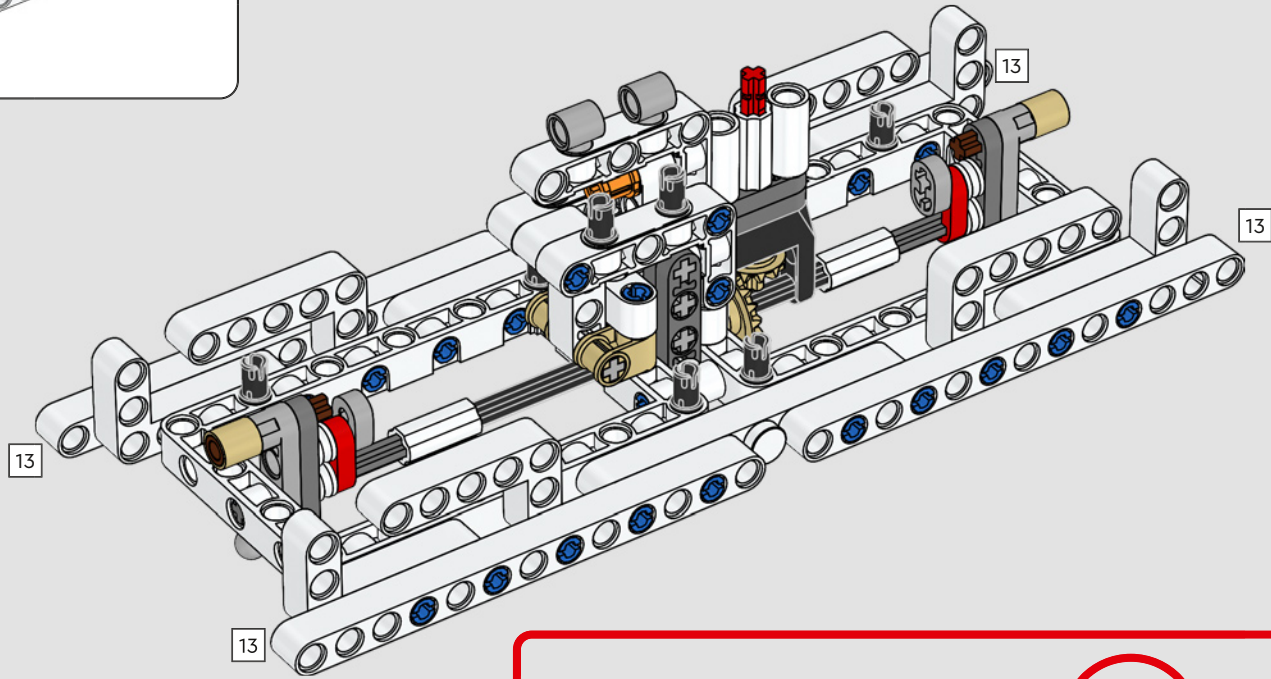
22

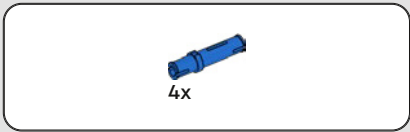




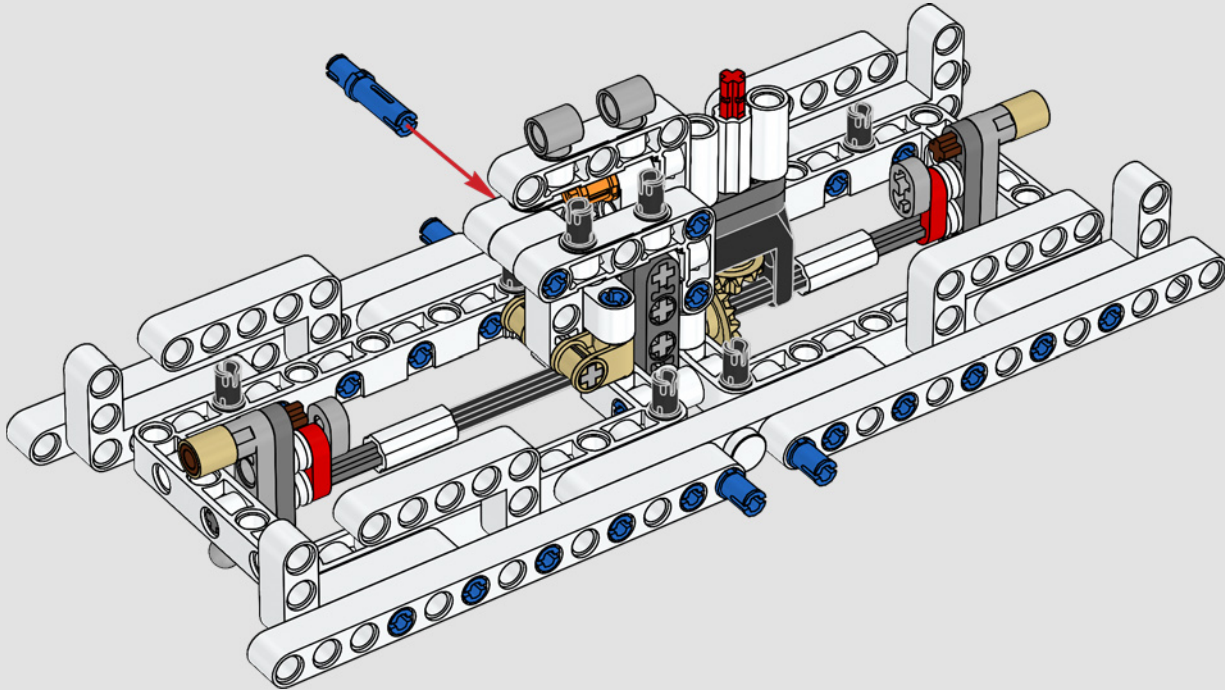


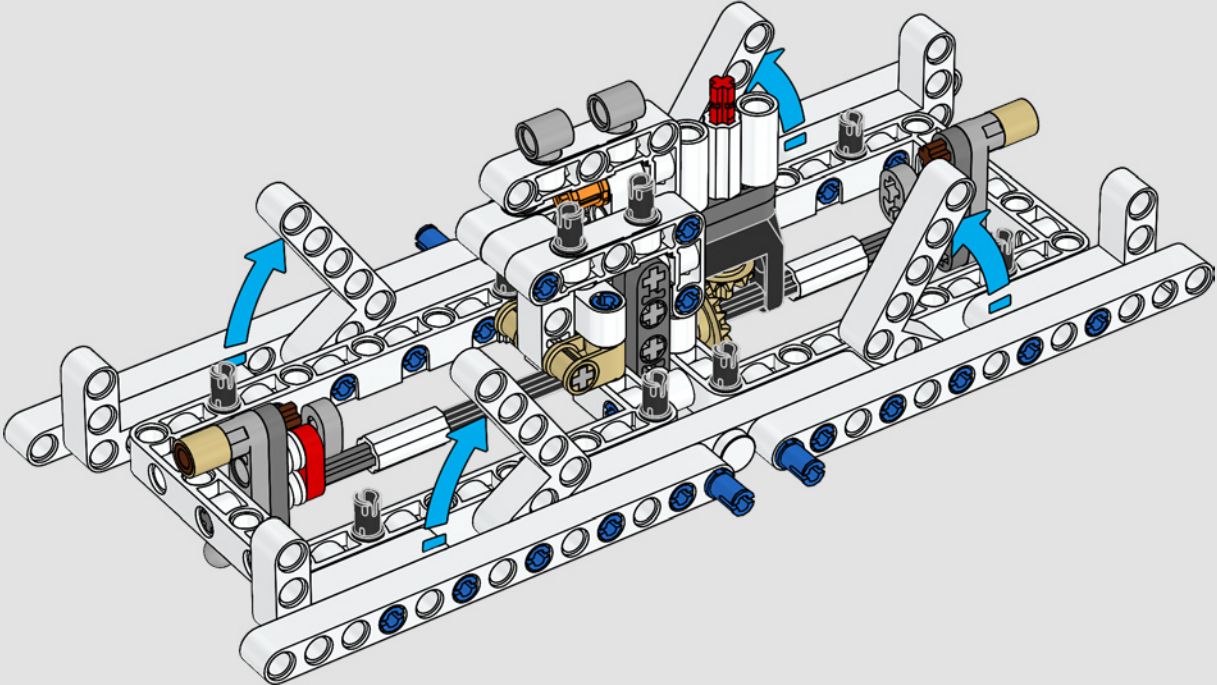
23

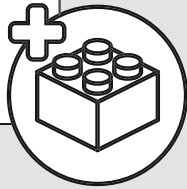
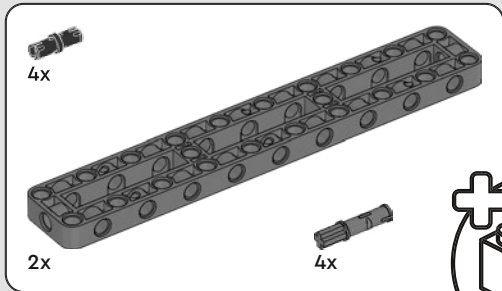
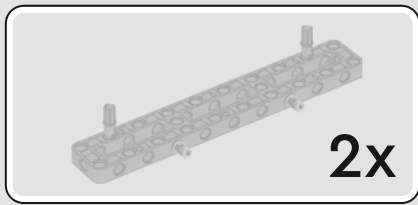




24

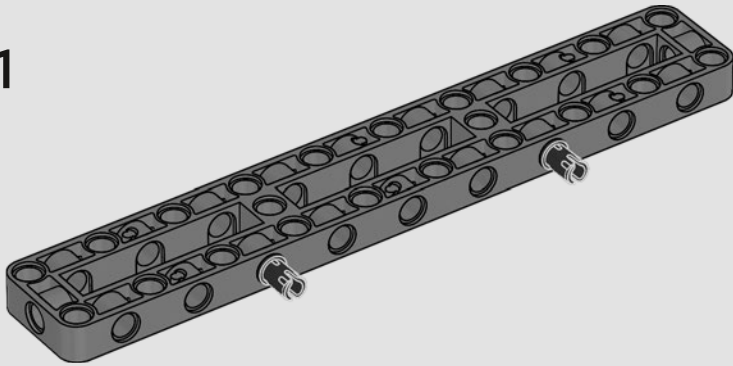




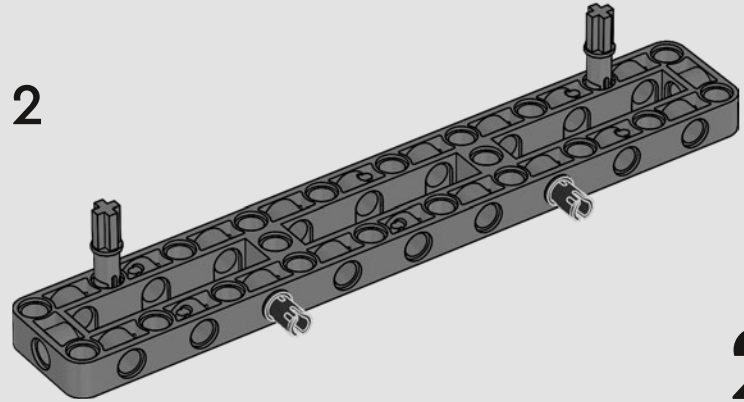


26

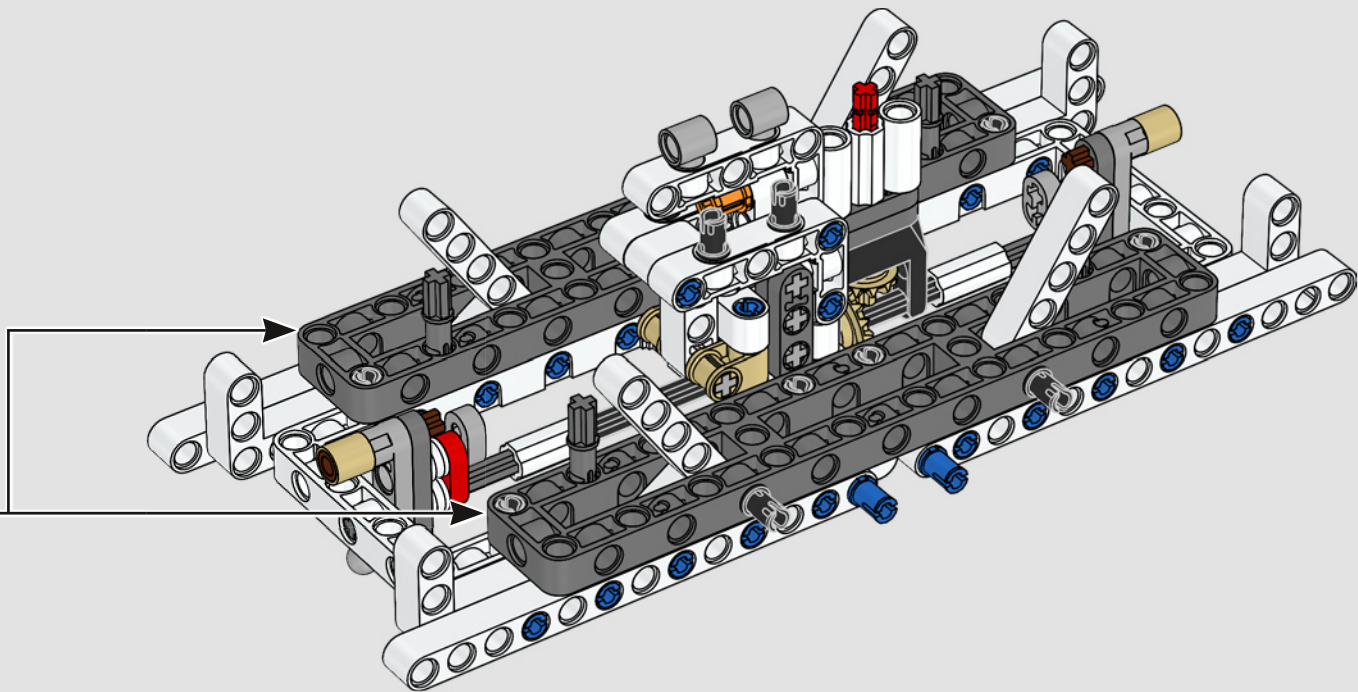
1



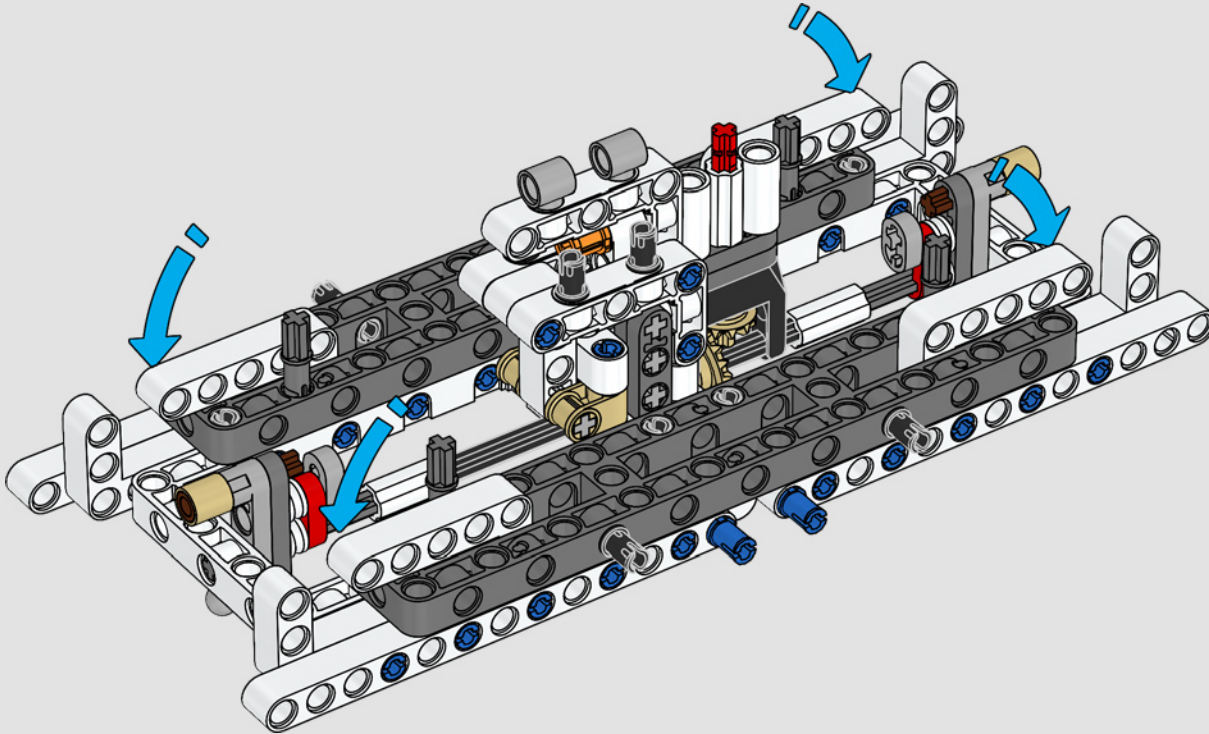
2



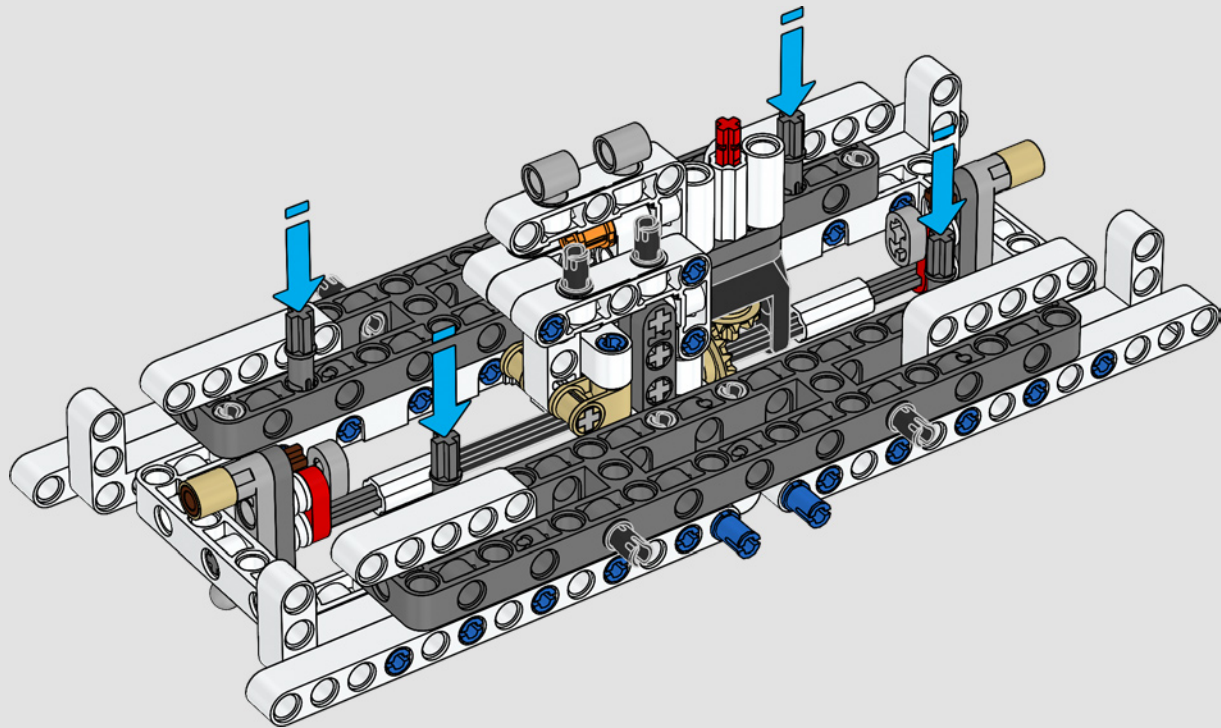




27



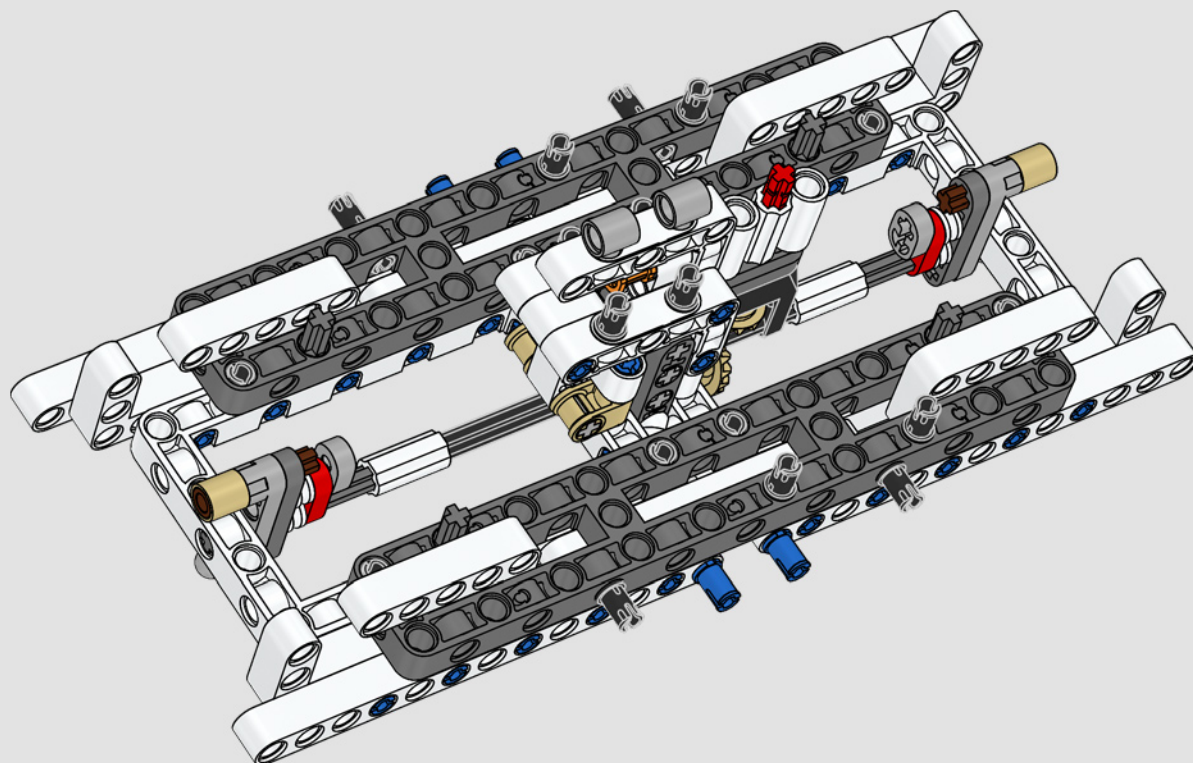
28



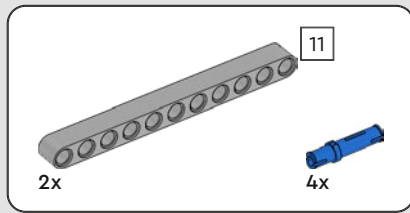


4x

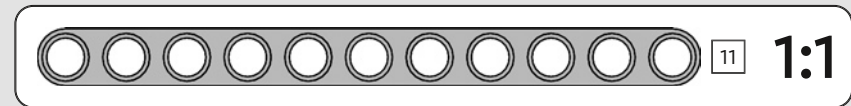
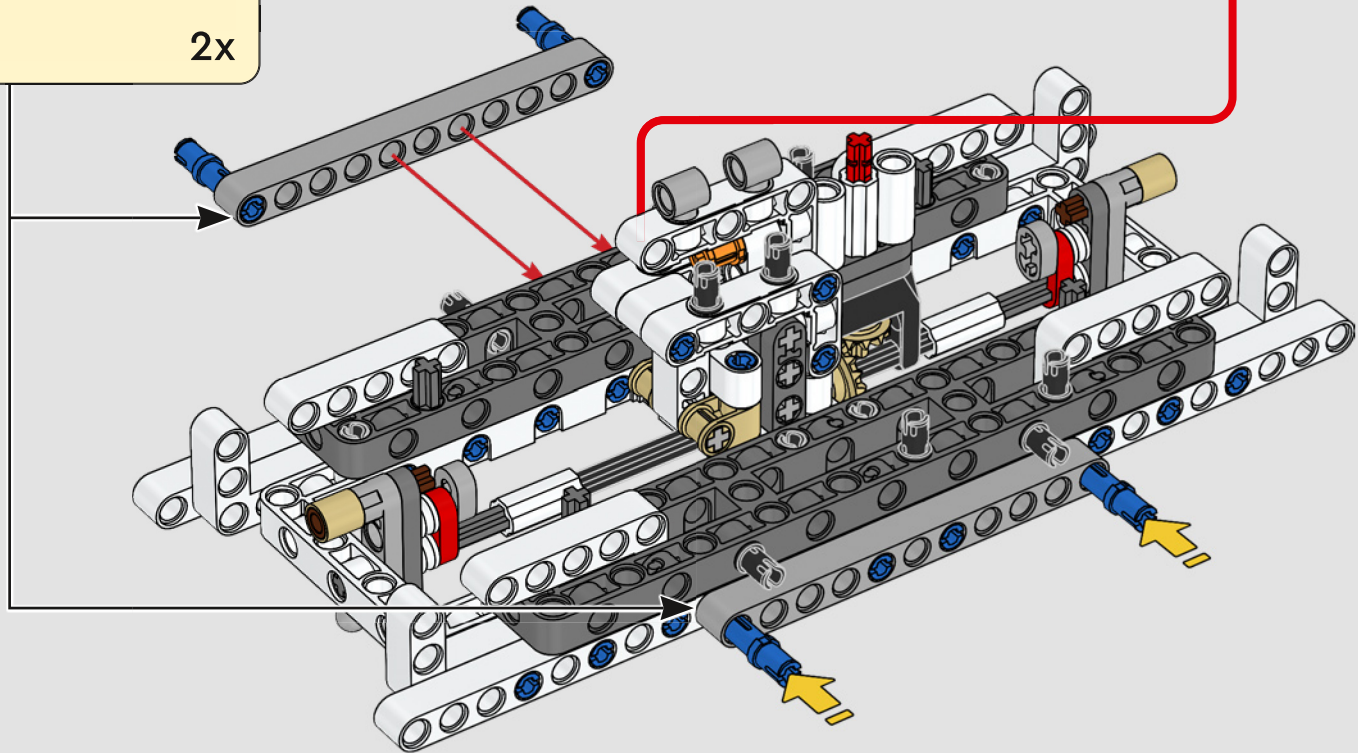
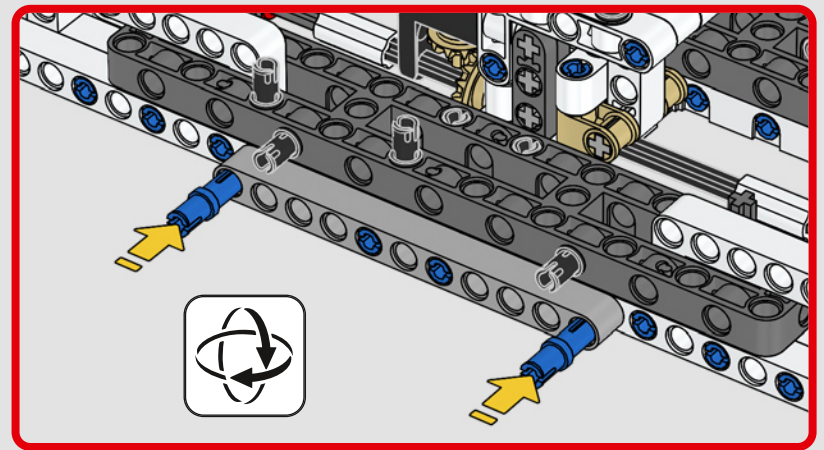
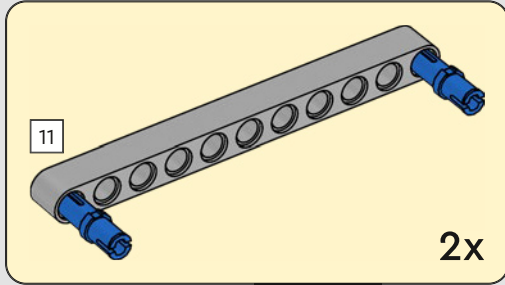
29

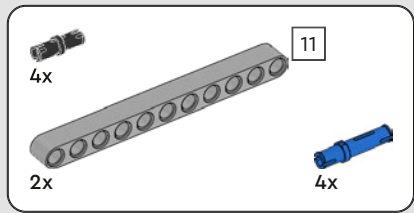




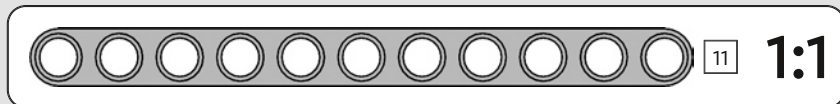
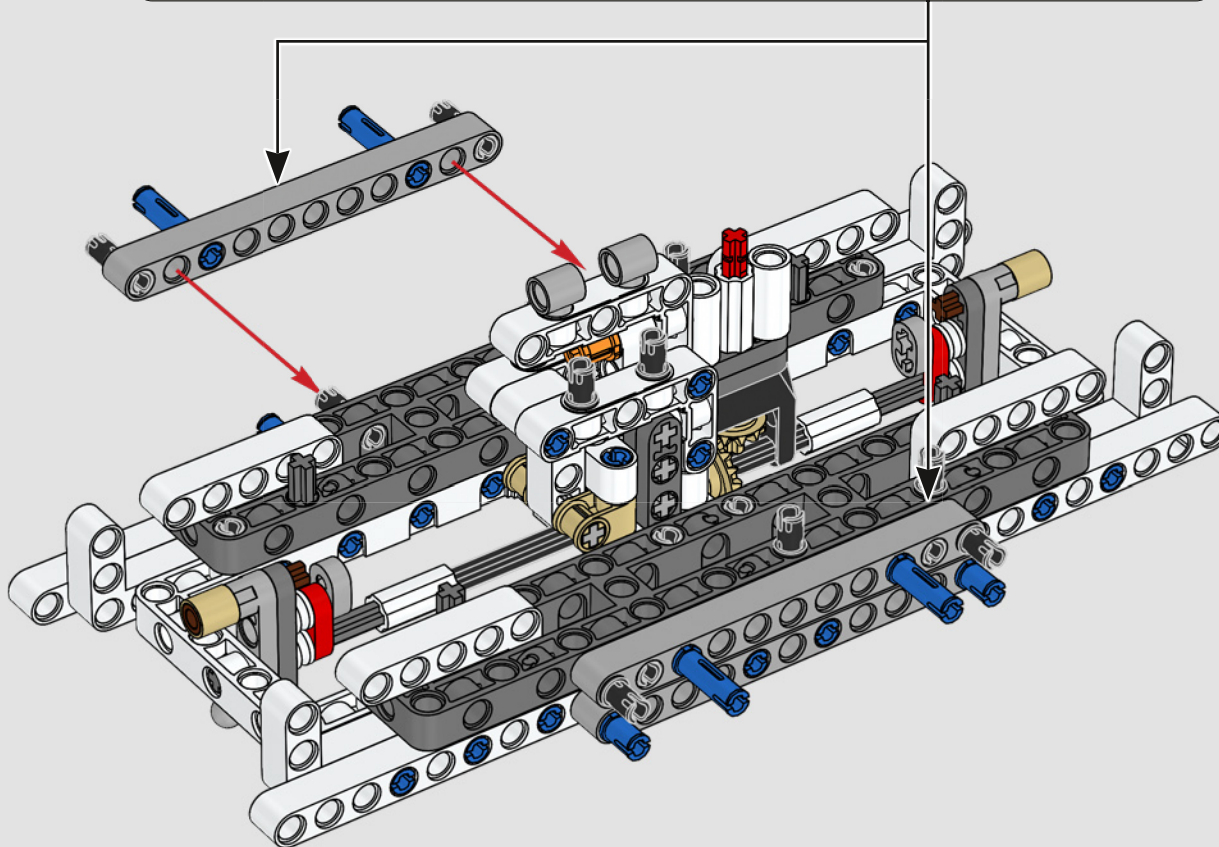
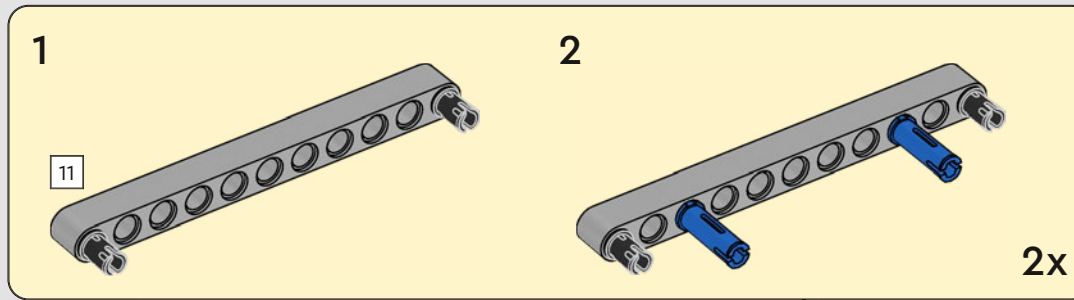


30





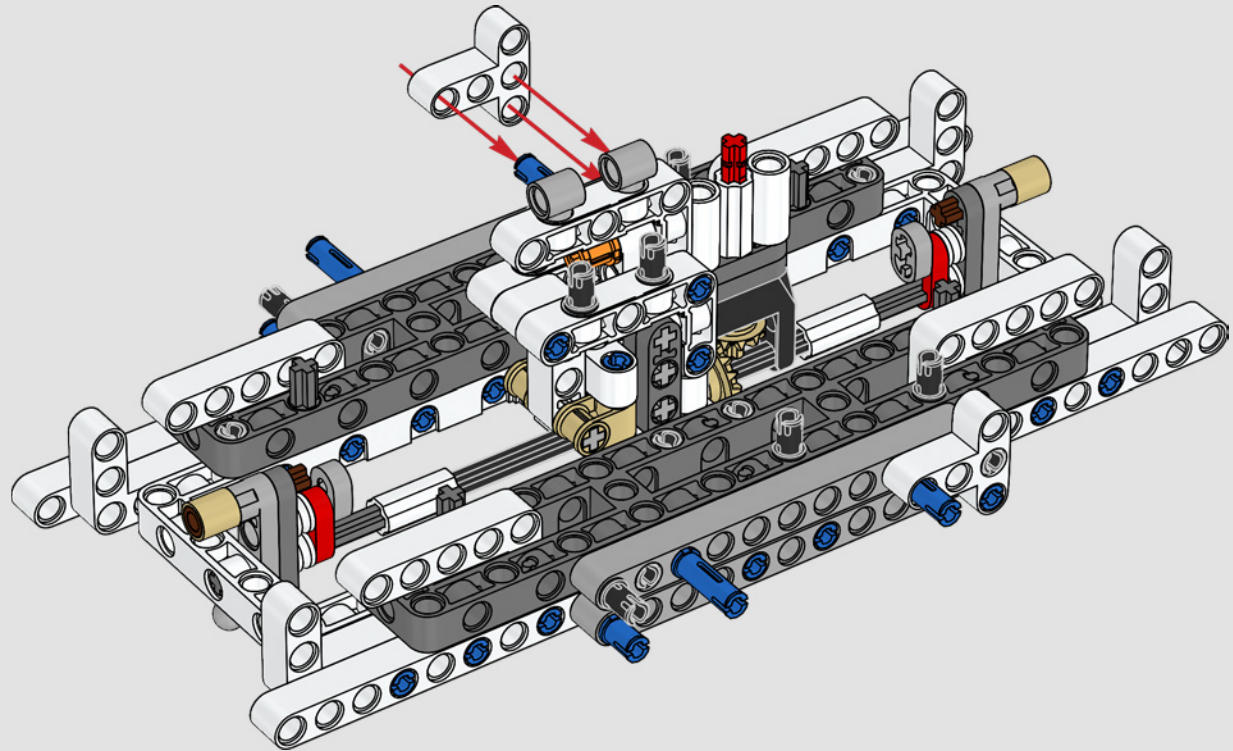
31

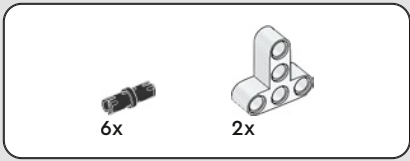




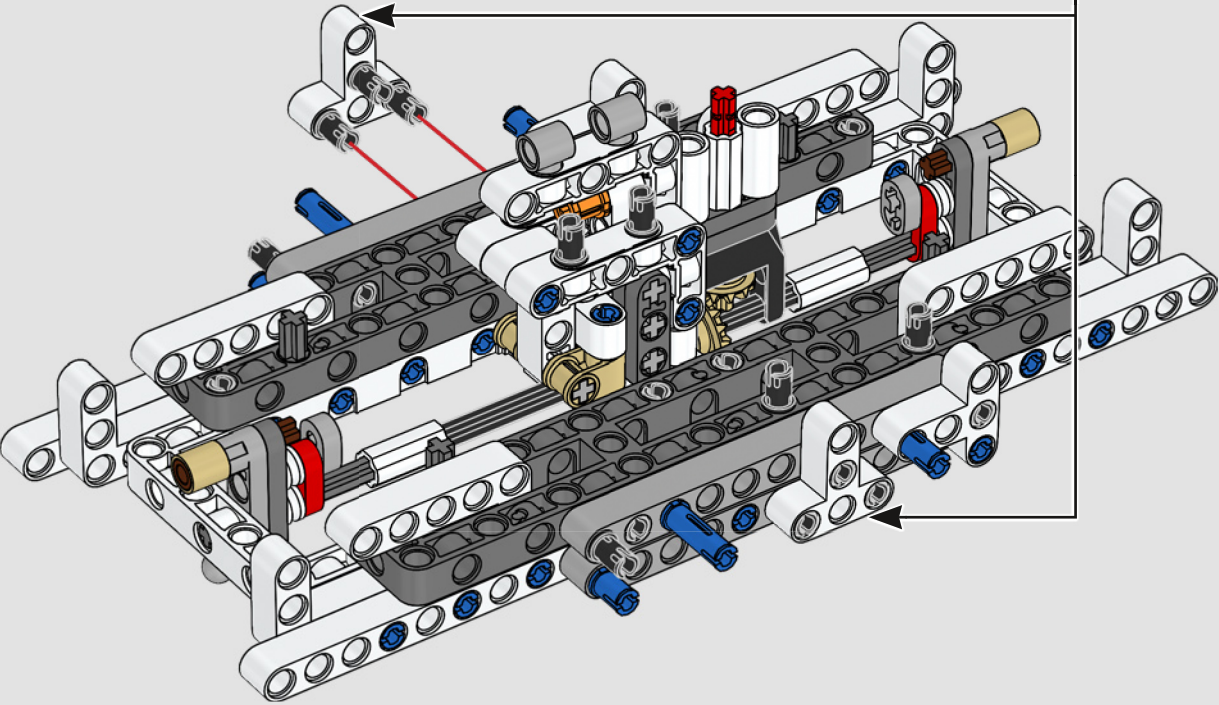
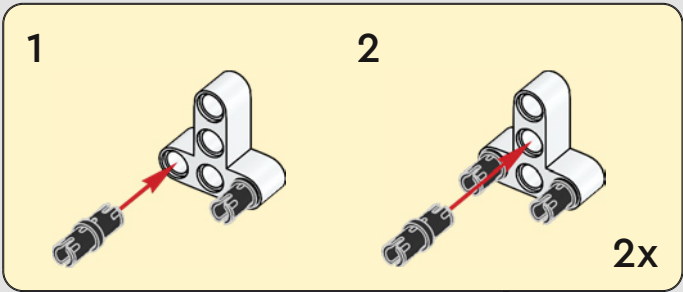
2x

32

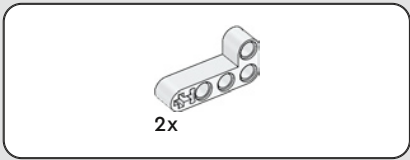




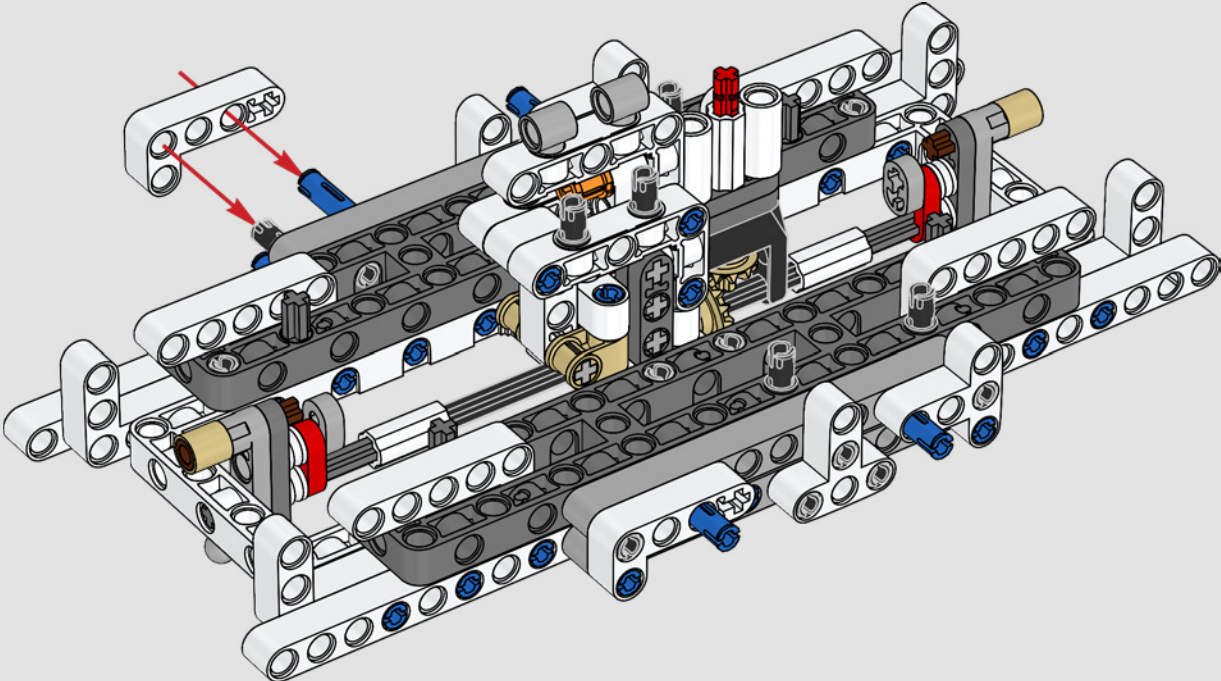
33

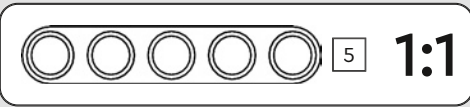
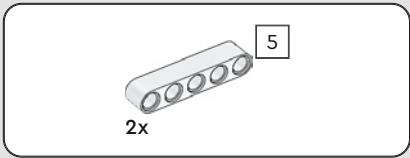




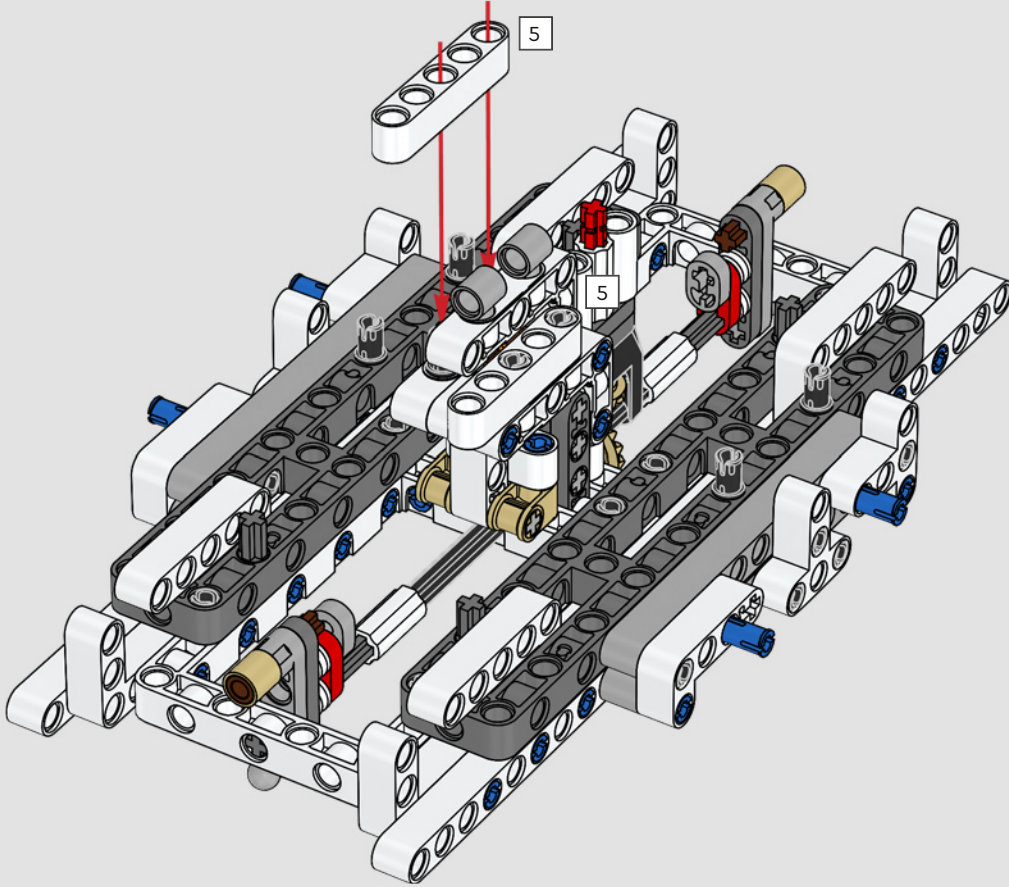


34

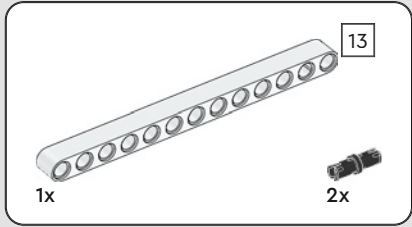
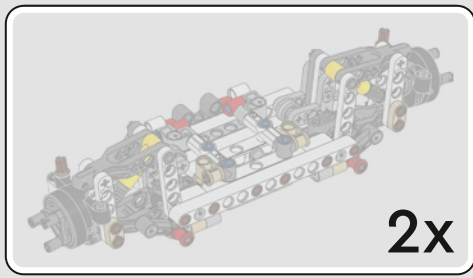




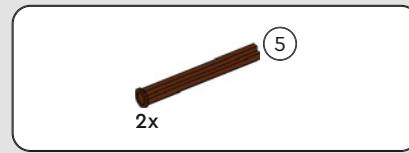
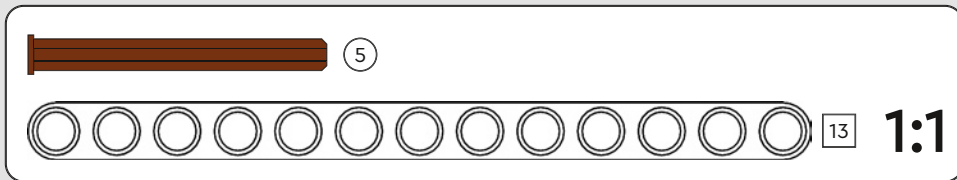
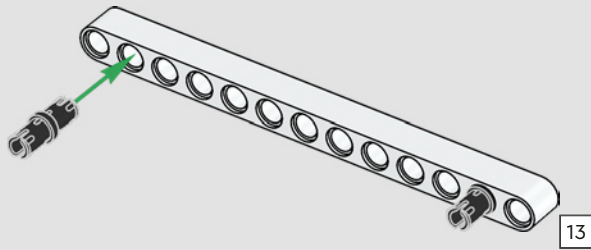
35



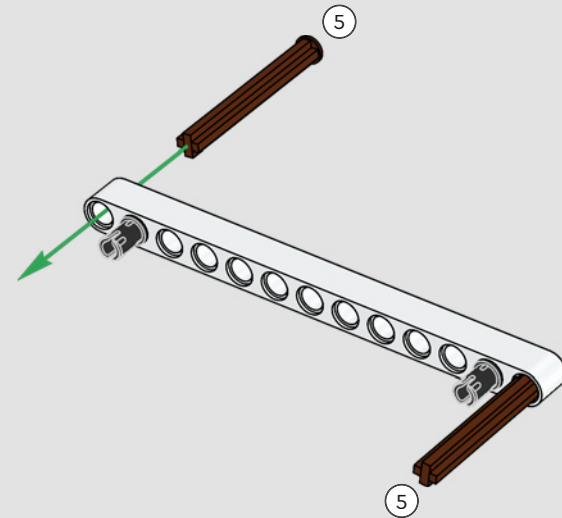


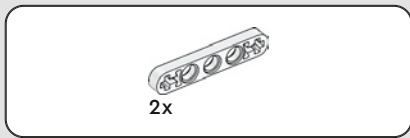


36

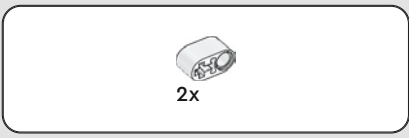
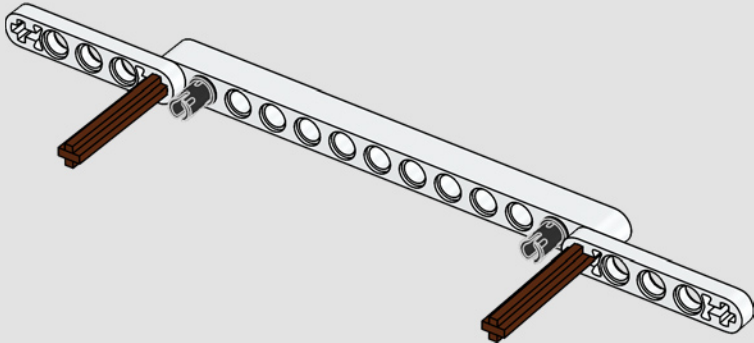


37

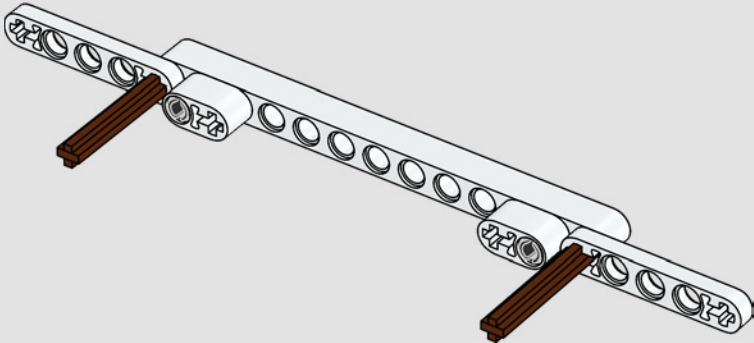




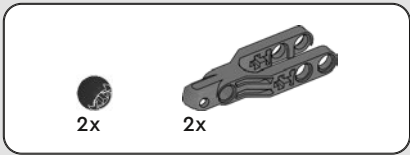
38



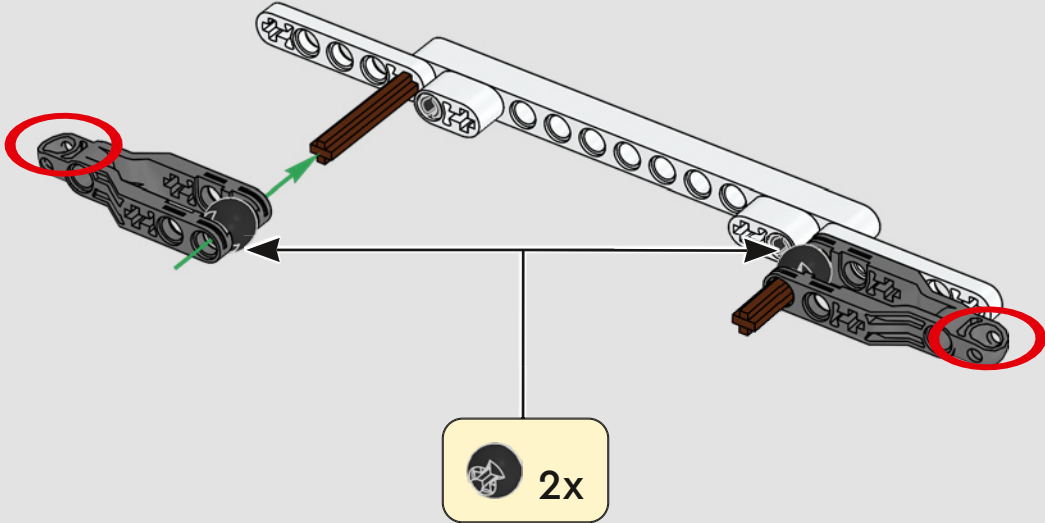
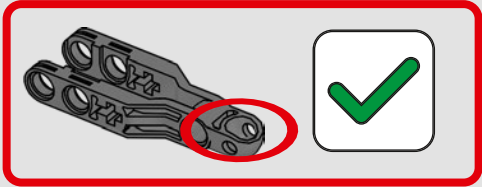
39

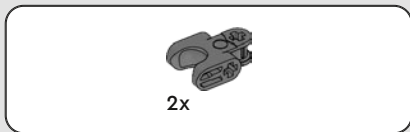




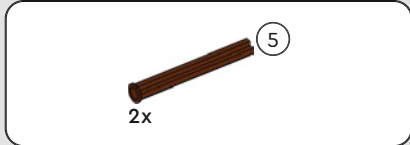
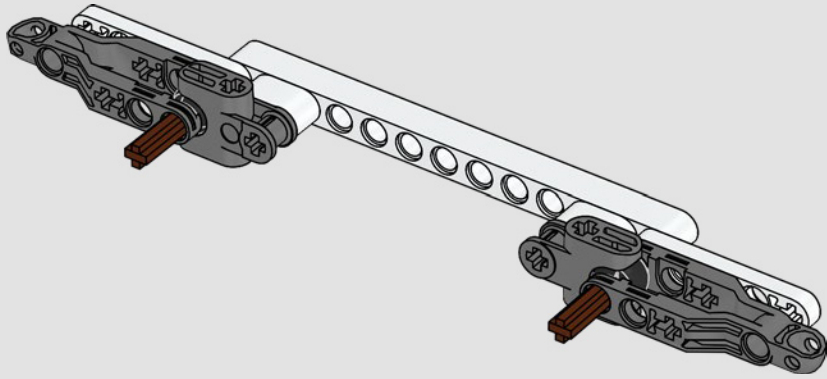


40

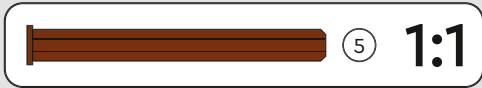
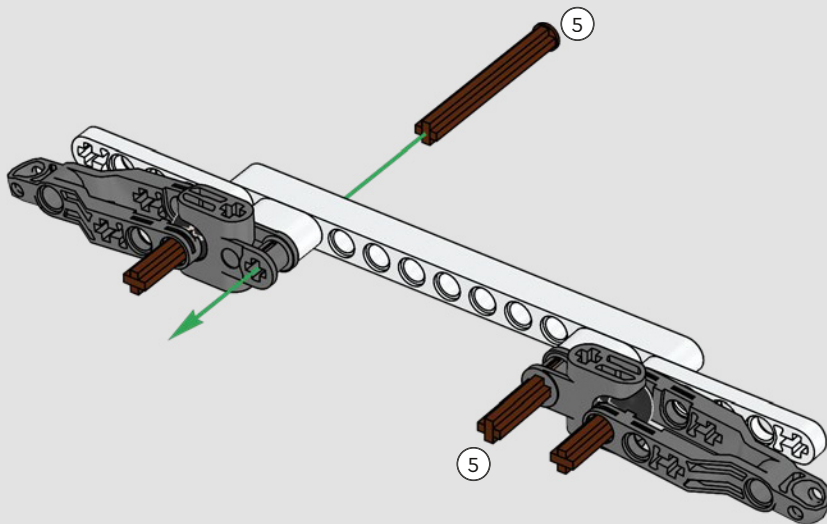




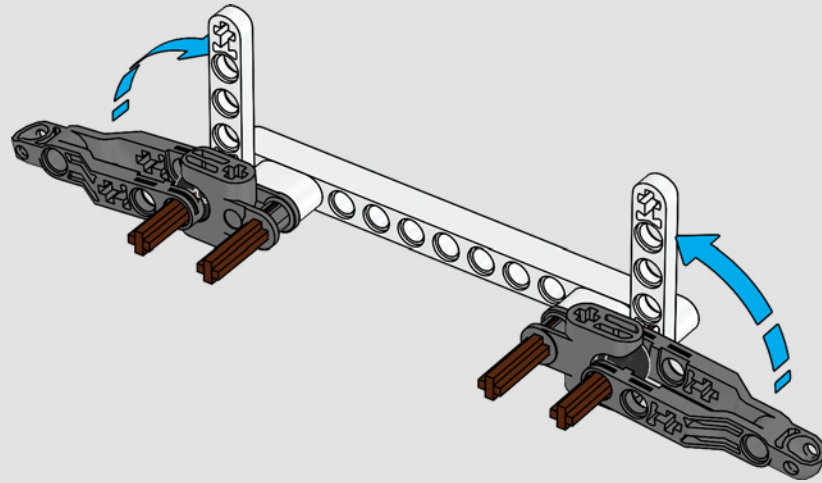
41



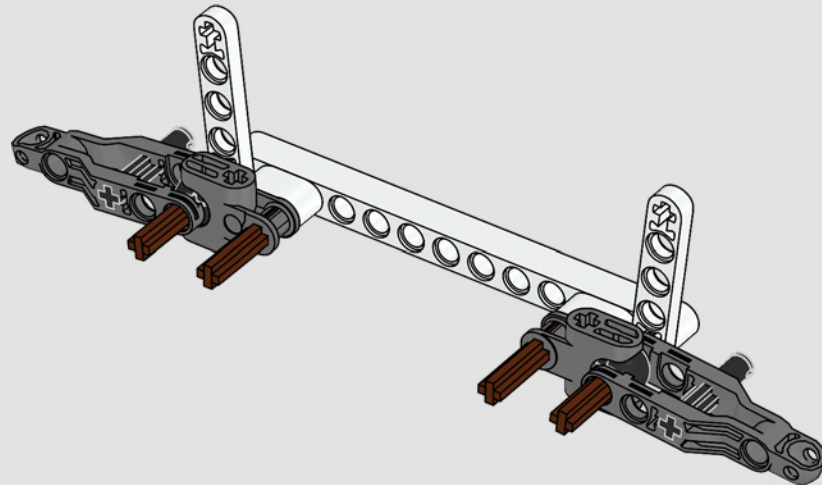
42

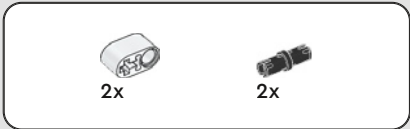


43

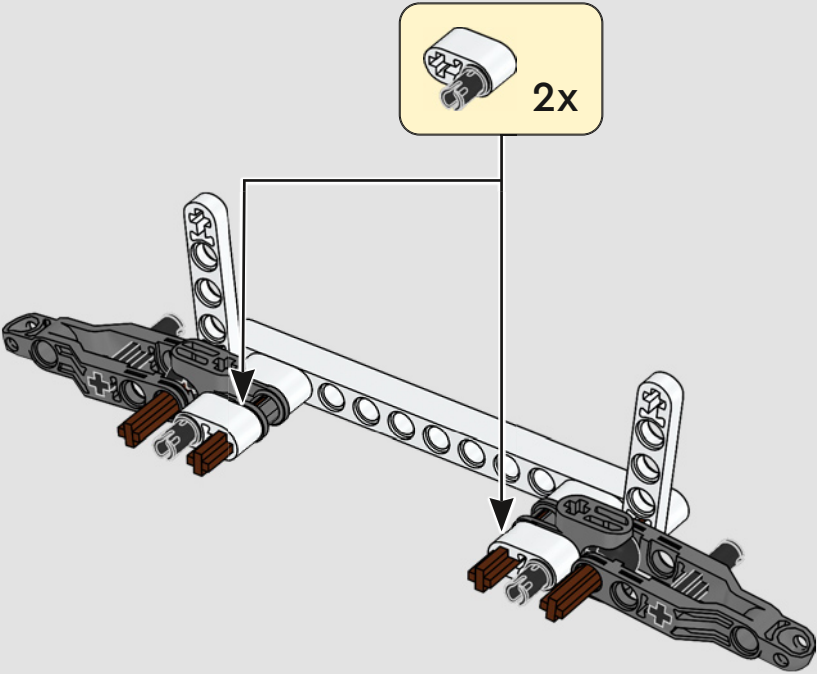


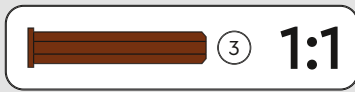
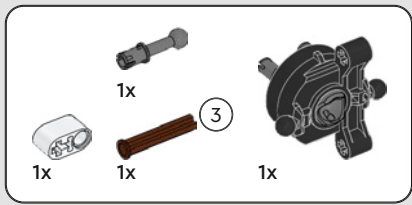
44



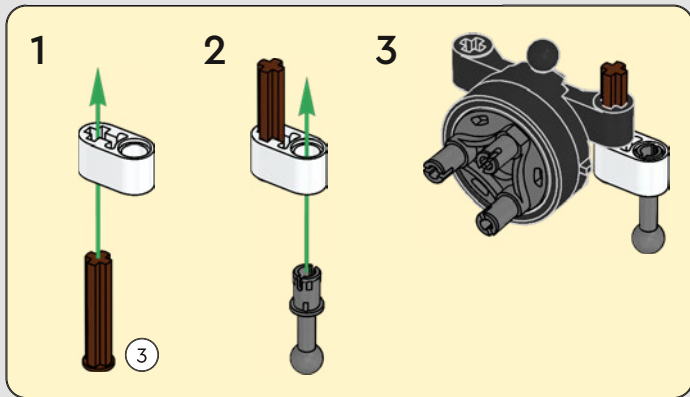
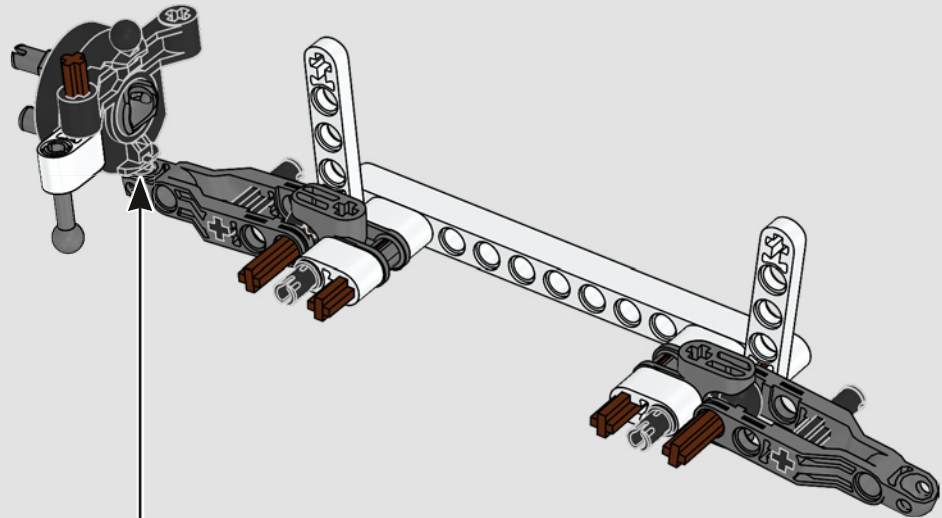


45

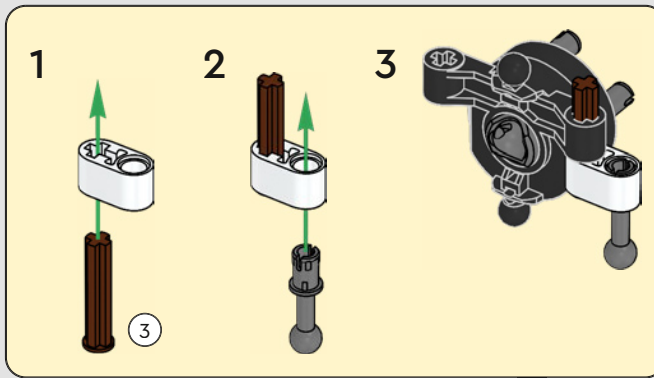
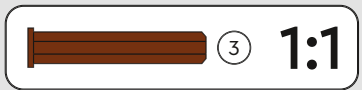
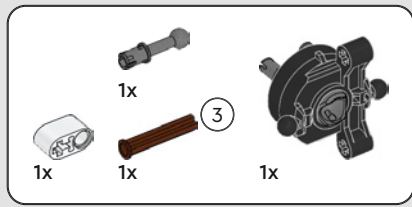




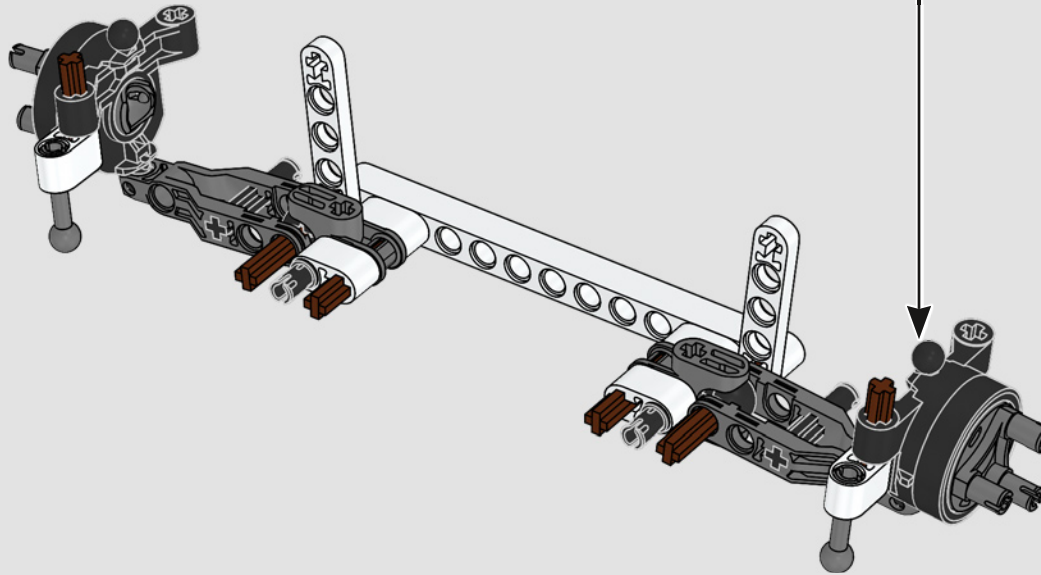
46

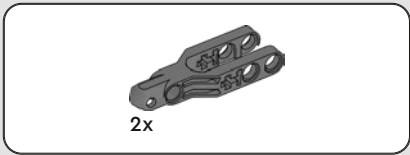




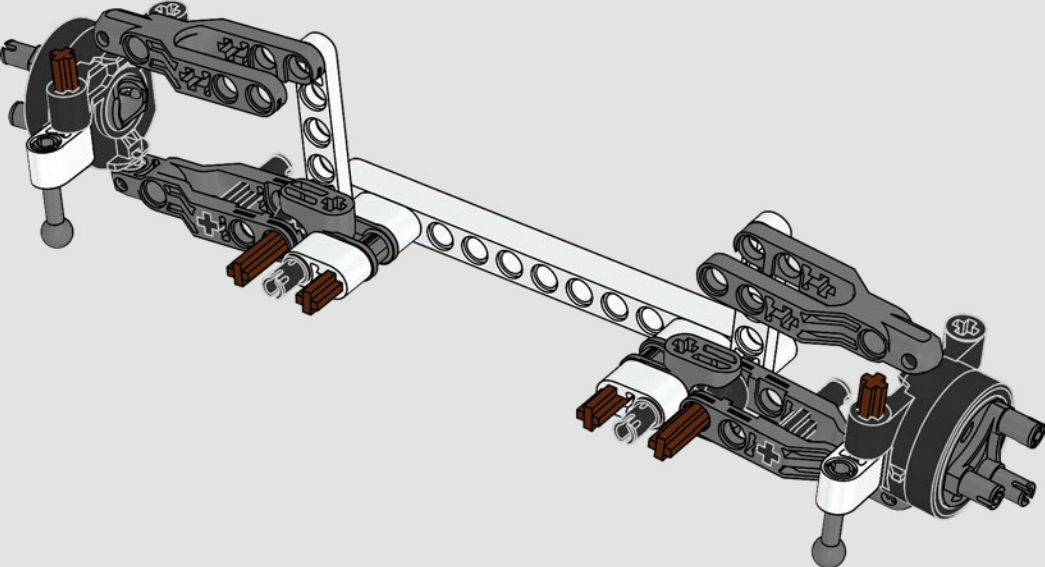


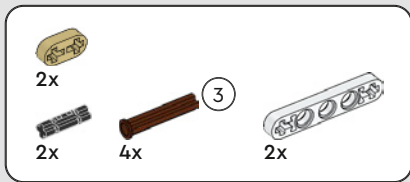
47



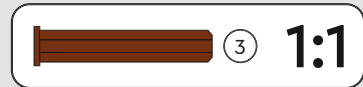
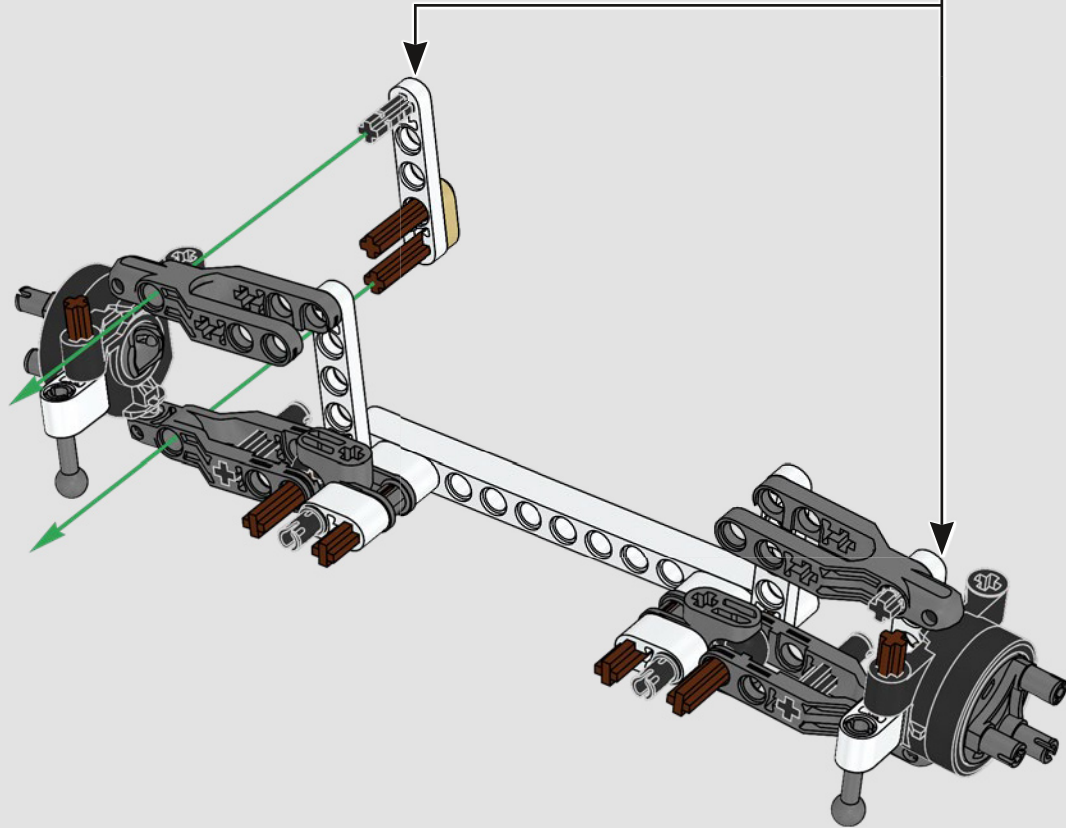
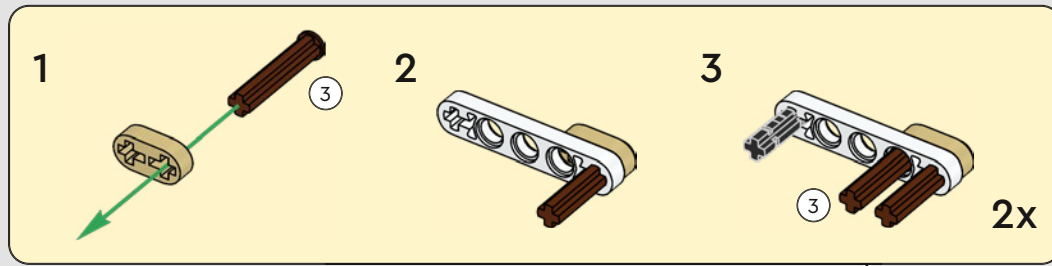


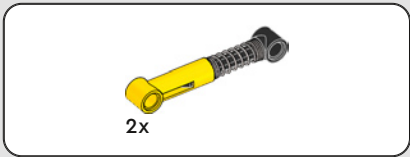
48



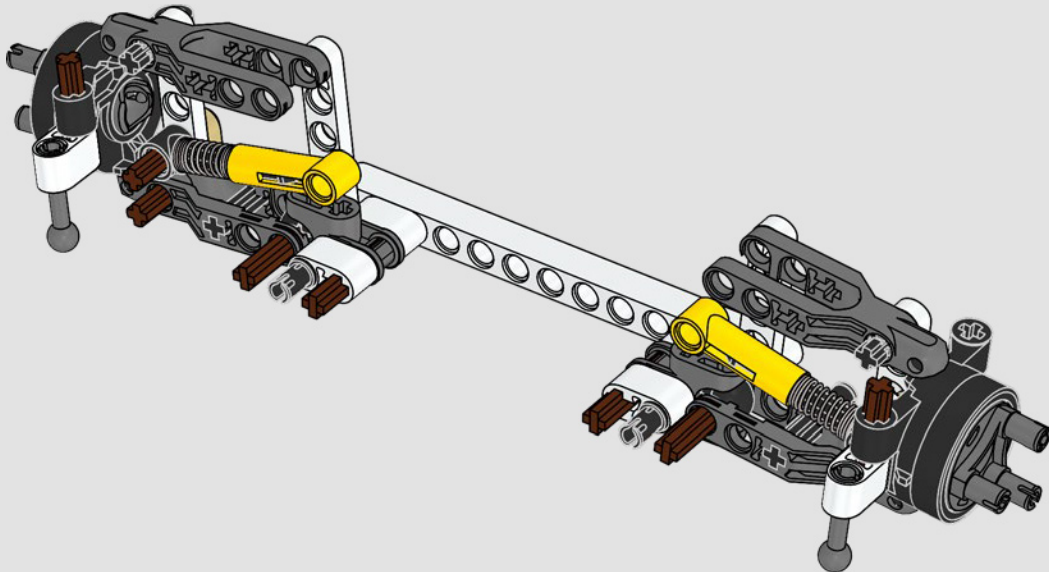


49





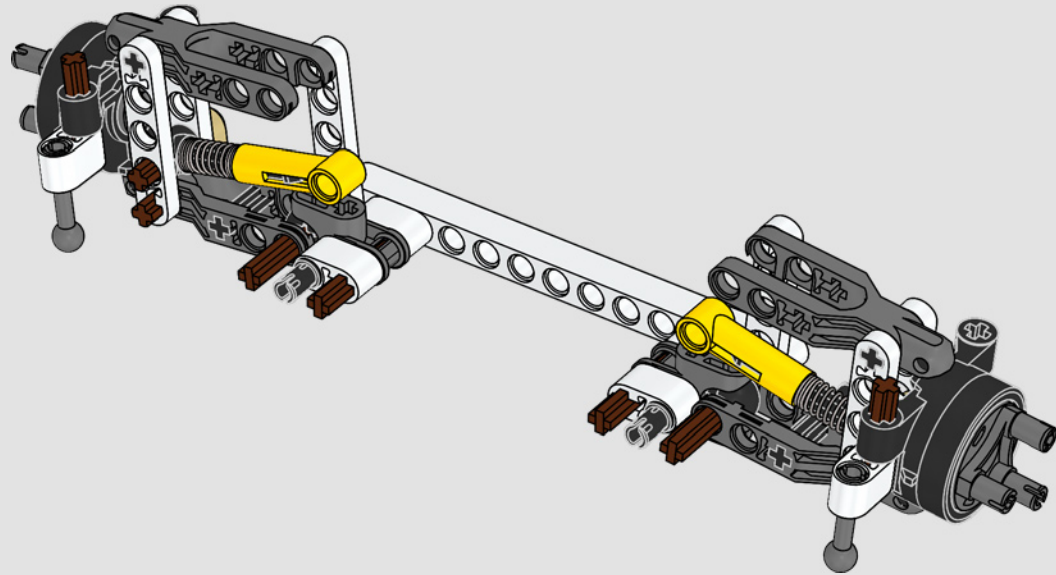
50



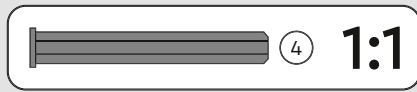
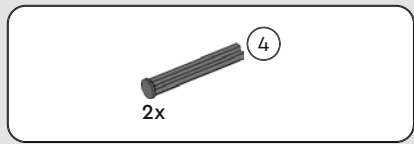


2x

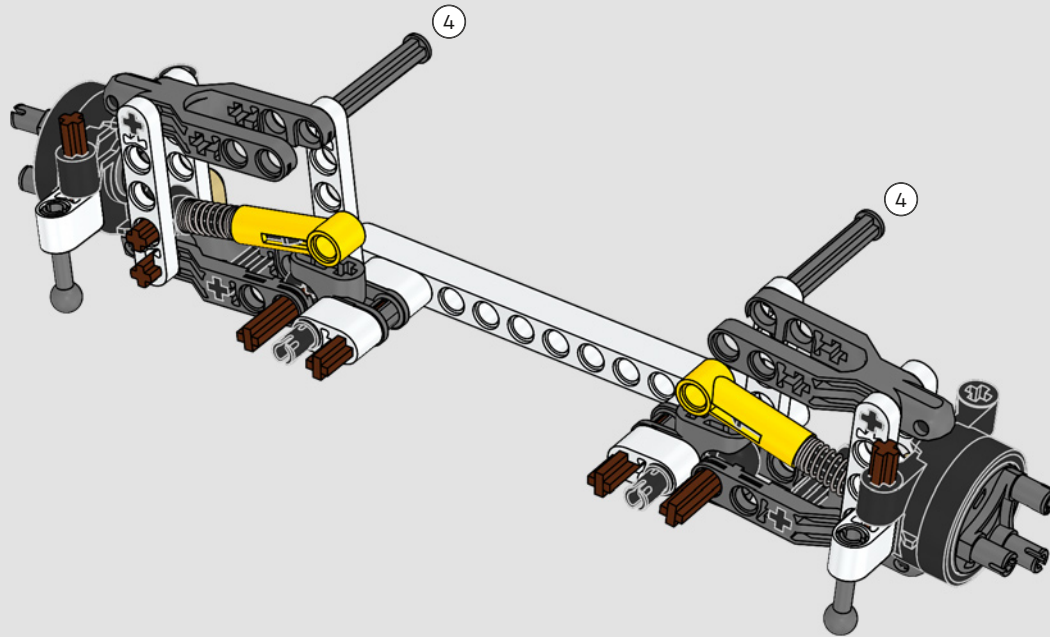
51

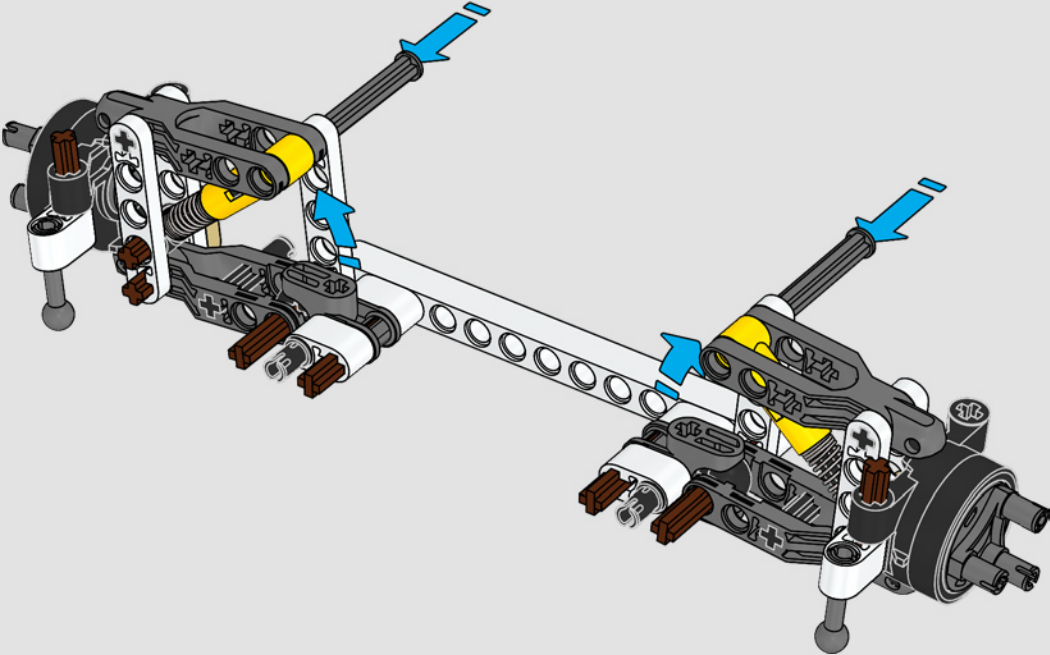


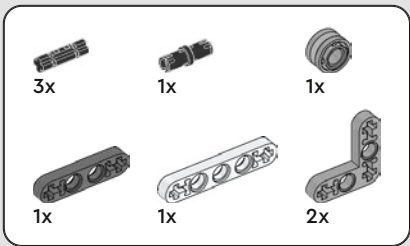




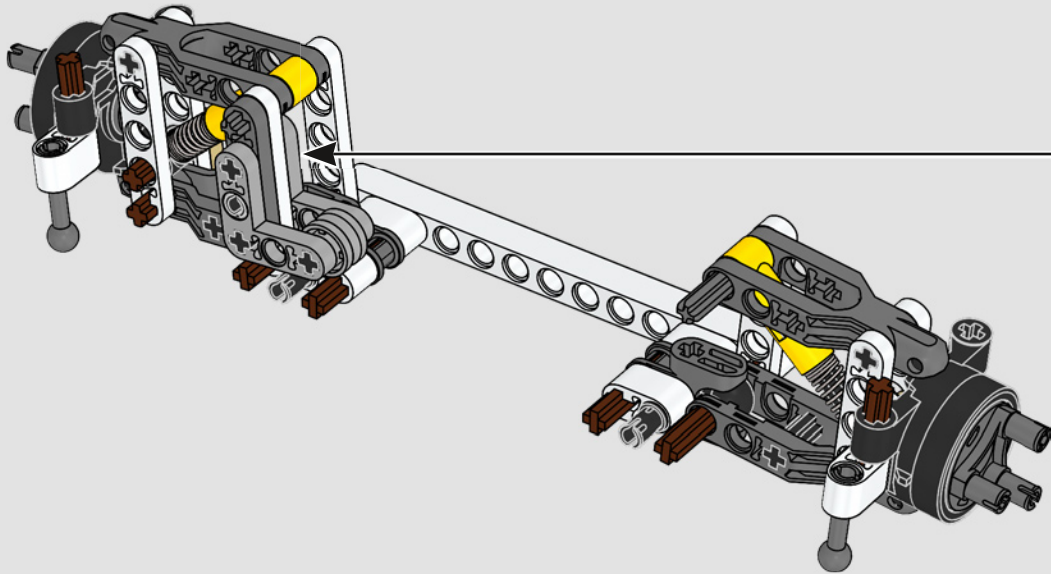
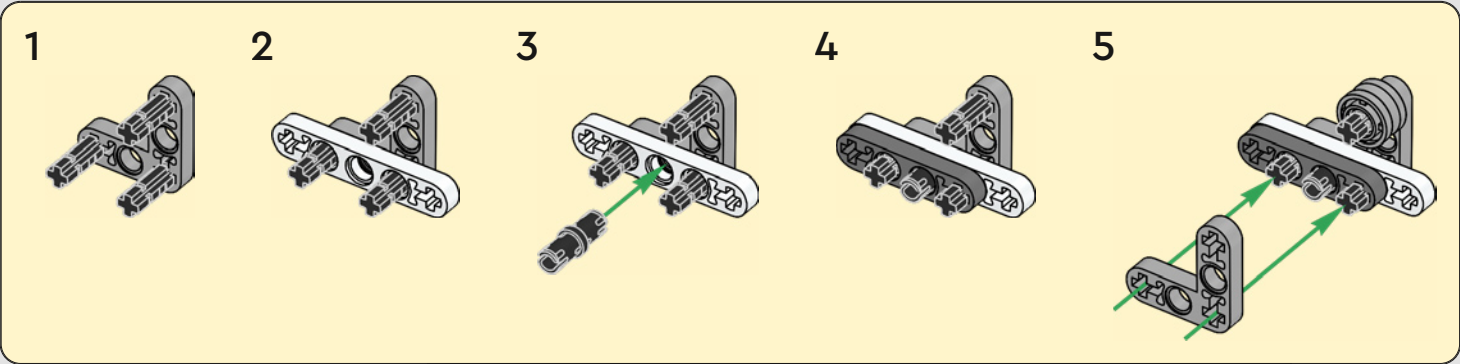
52

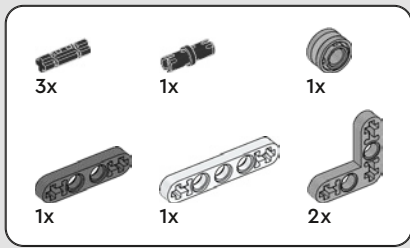




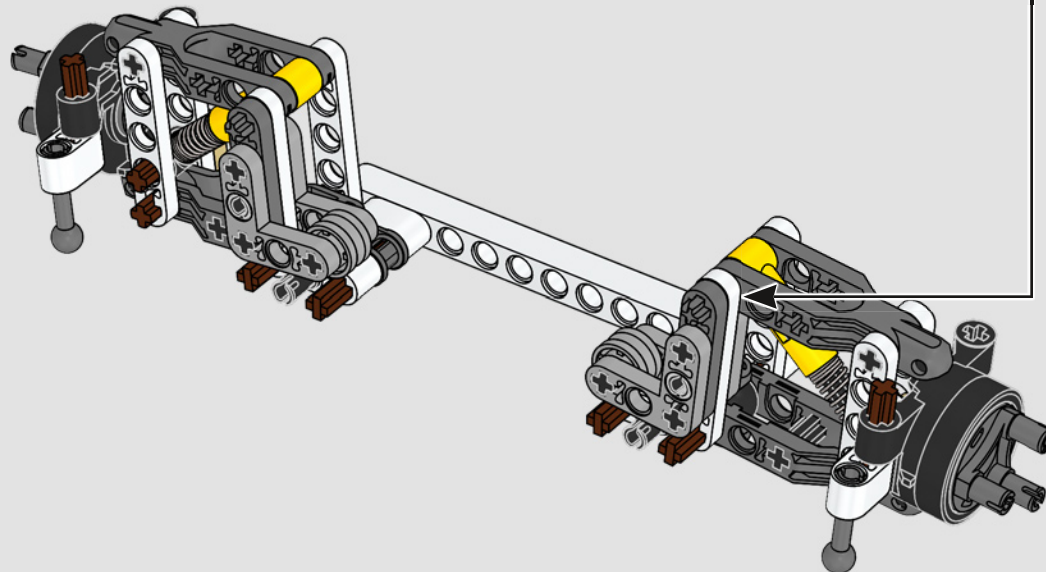
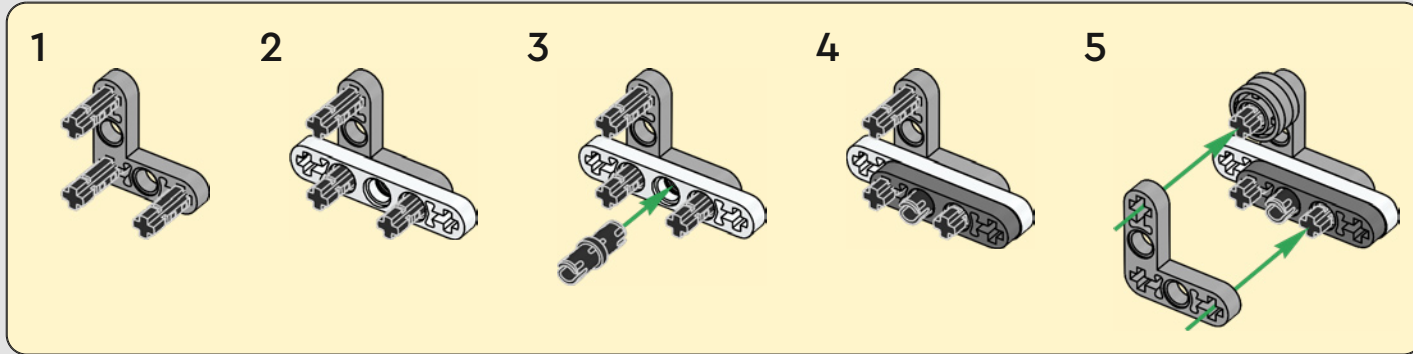


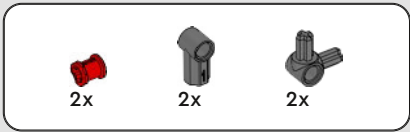
# 54



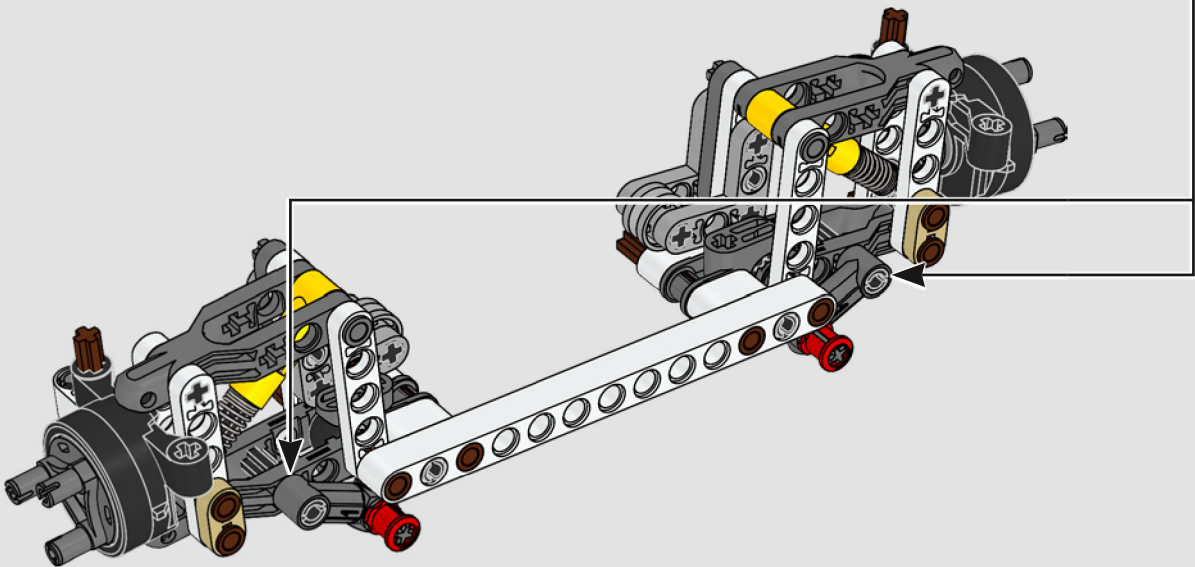
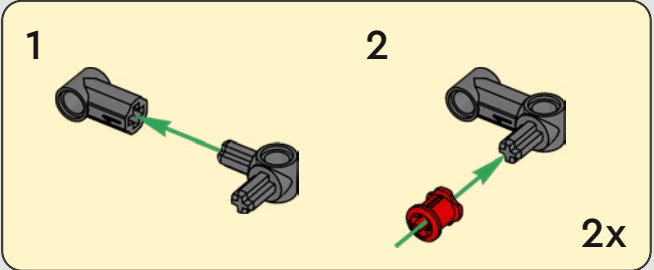


55

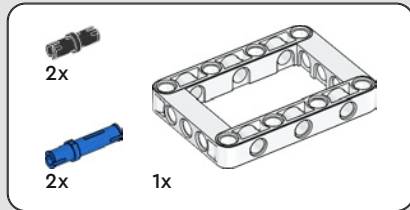
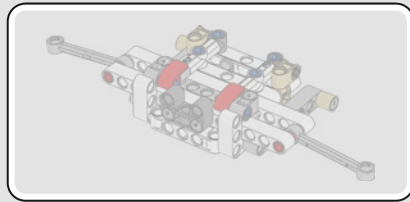




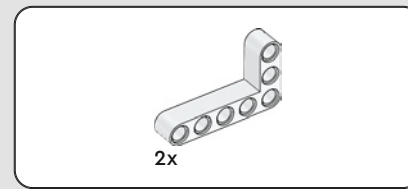
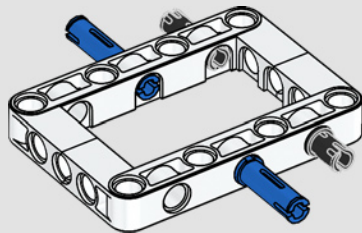
# 56



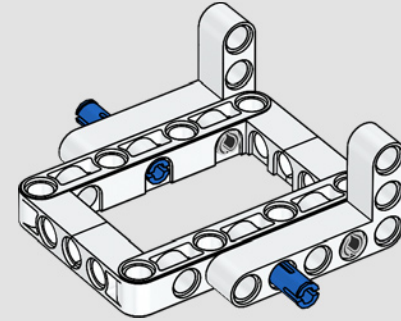




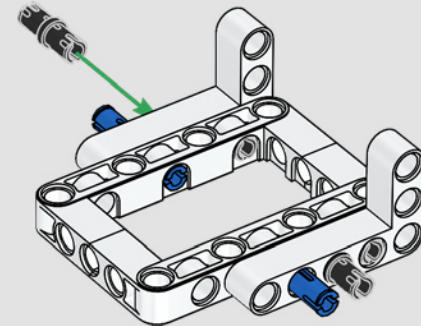
57

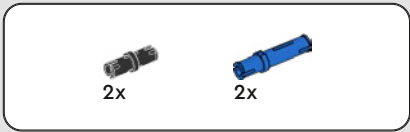


58

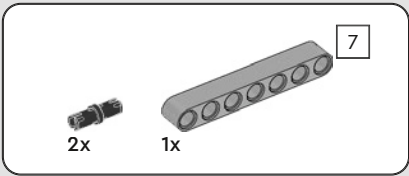
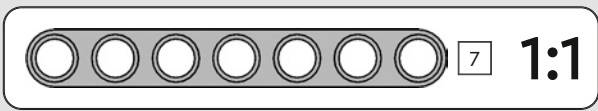
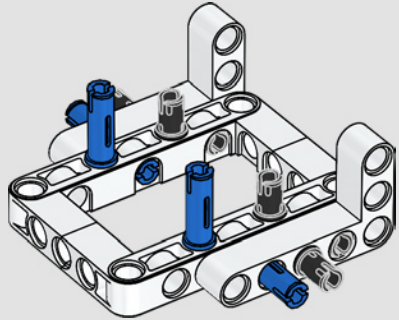


59

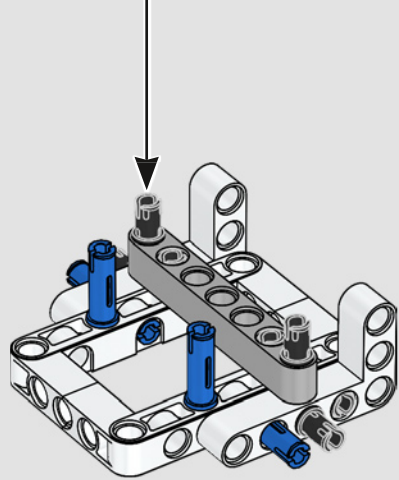
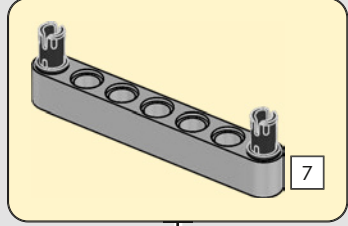


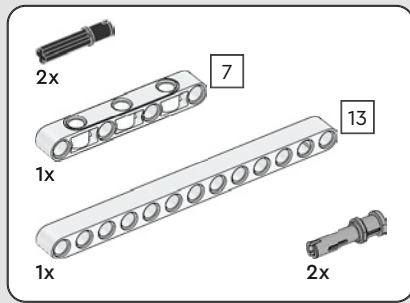


60

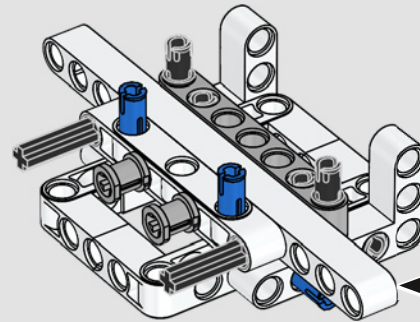
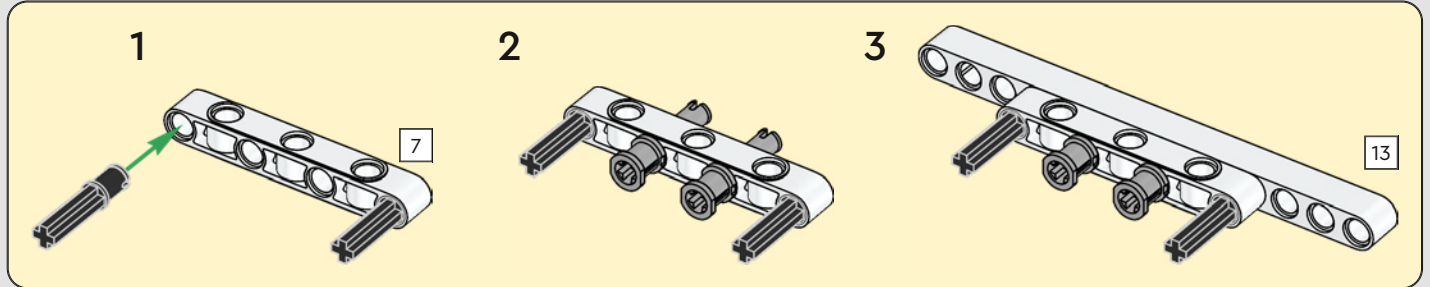
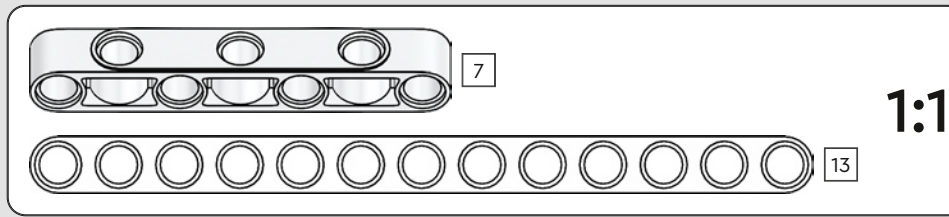


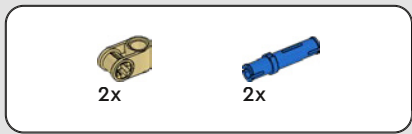
61



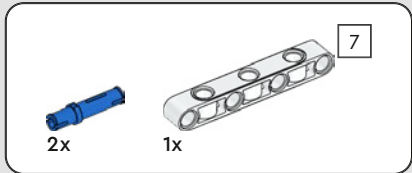
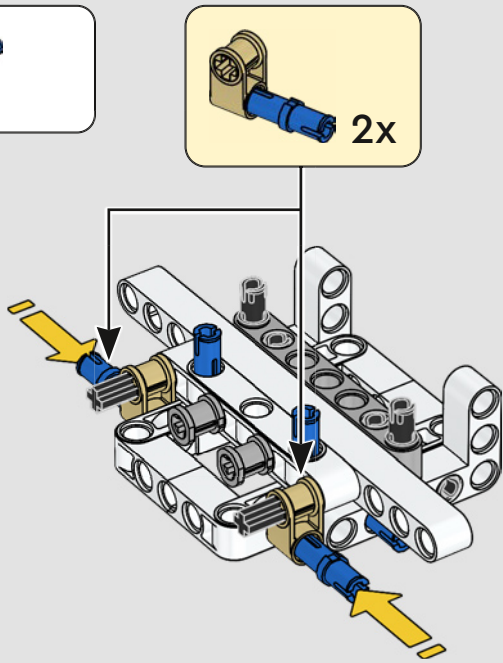


62

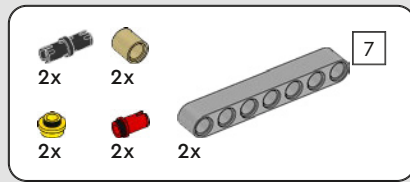
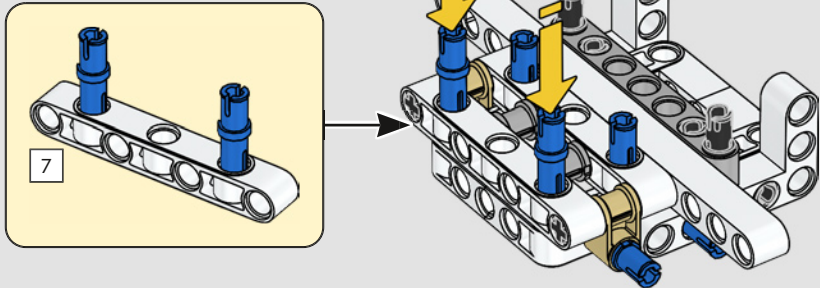




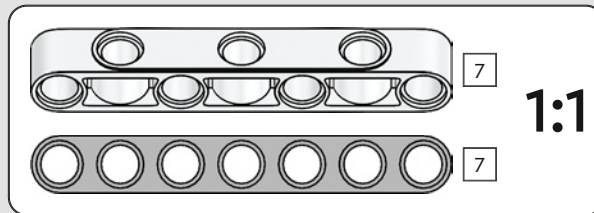
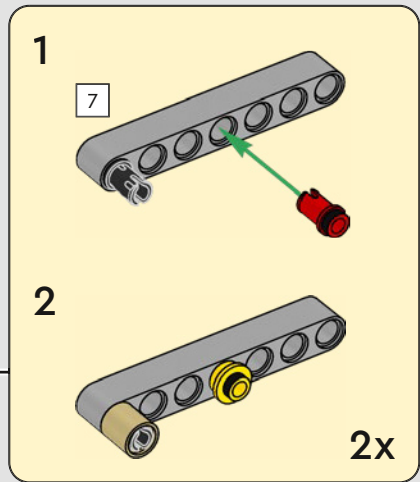
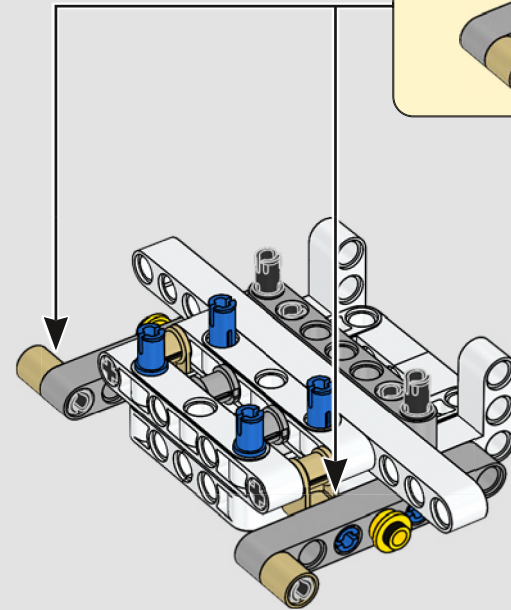
63

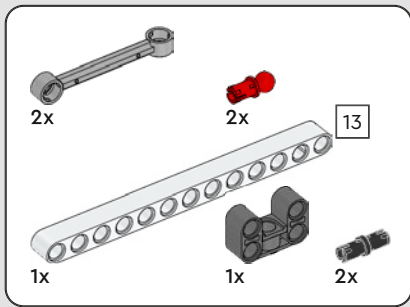


64

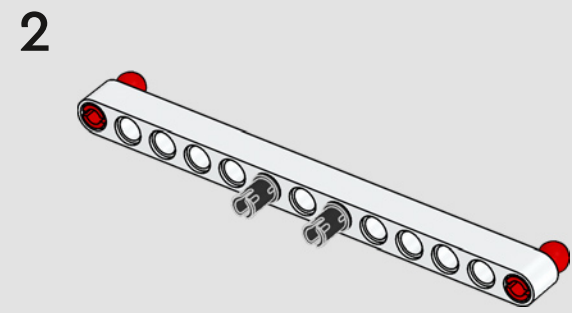
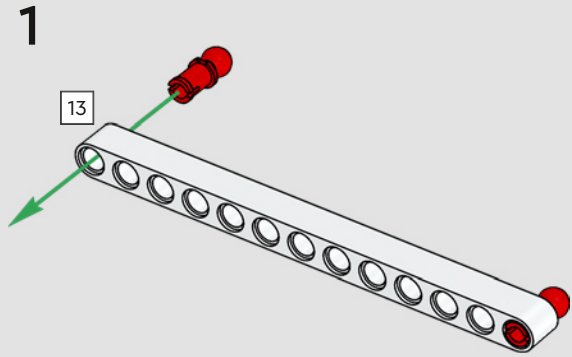


65

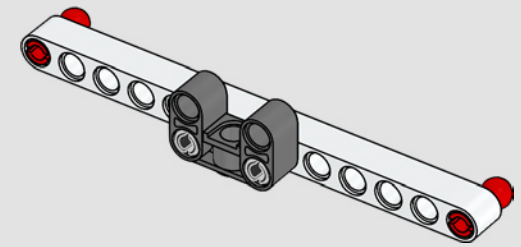




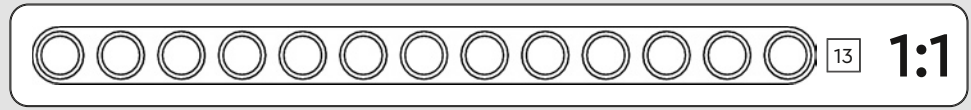
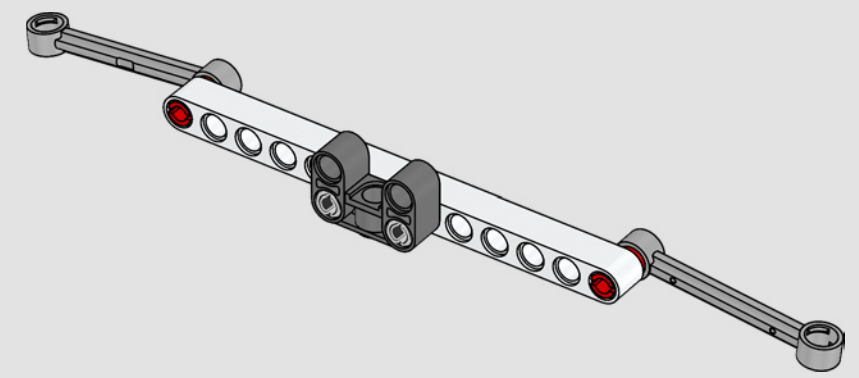
66



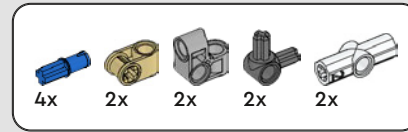
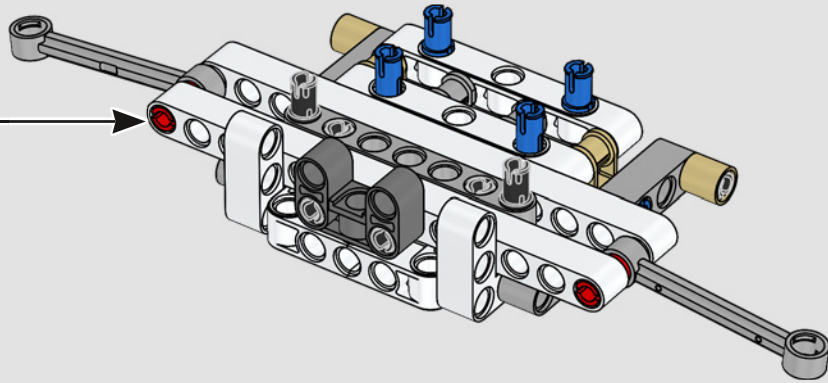
3



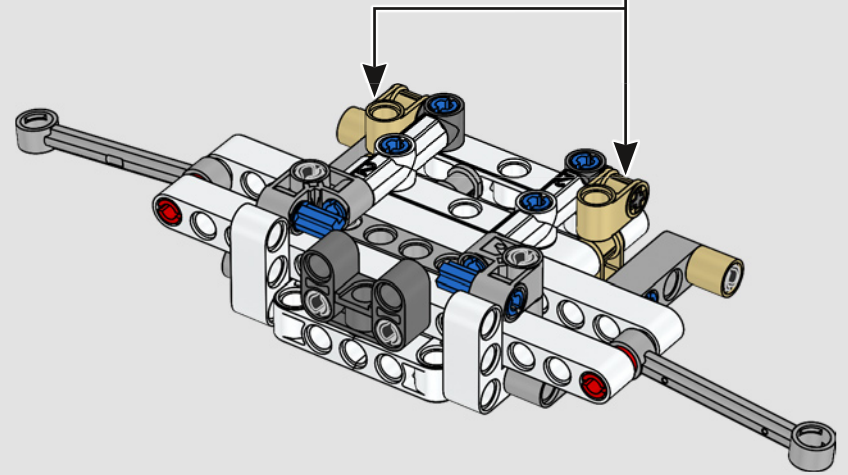
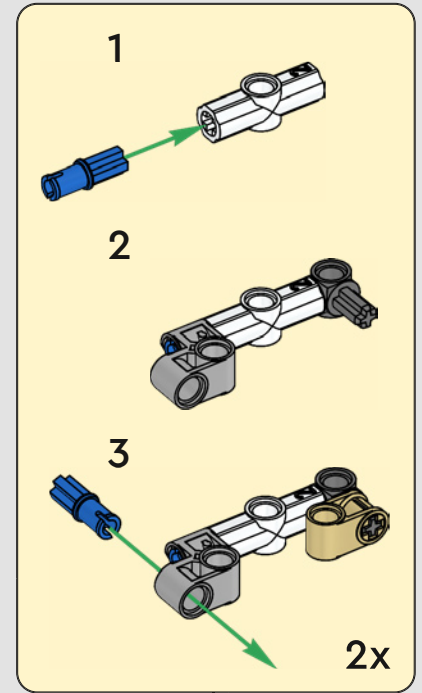
4

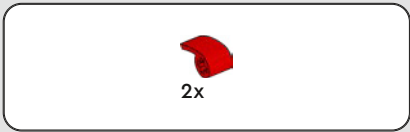




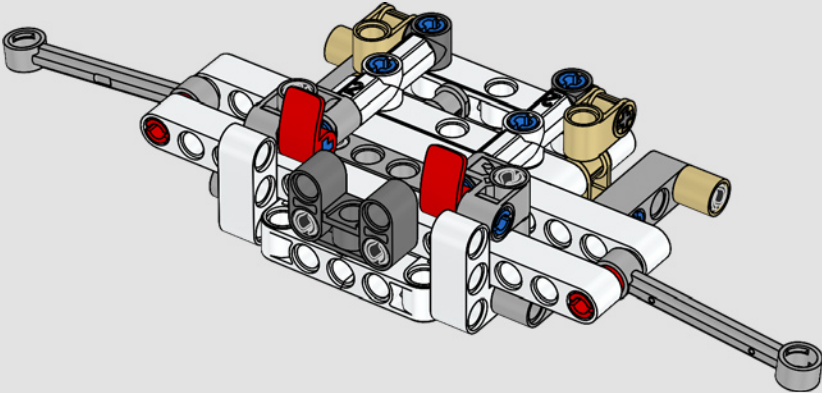


67

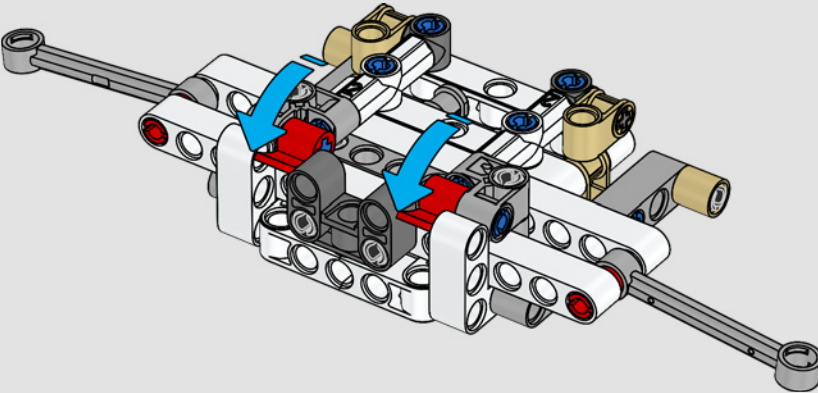


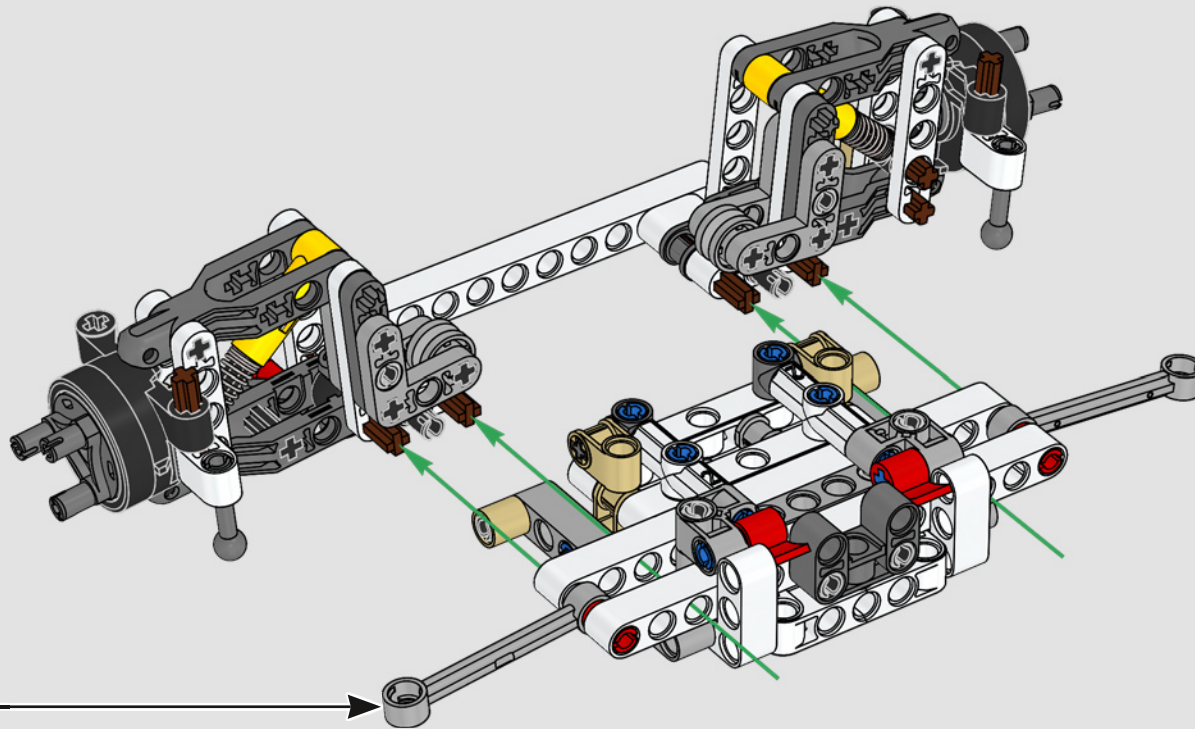


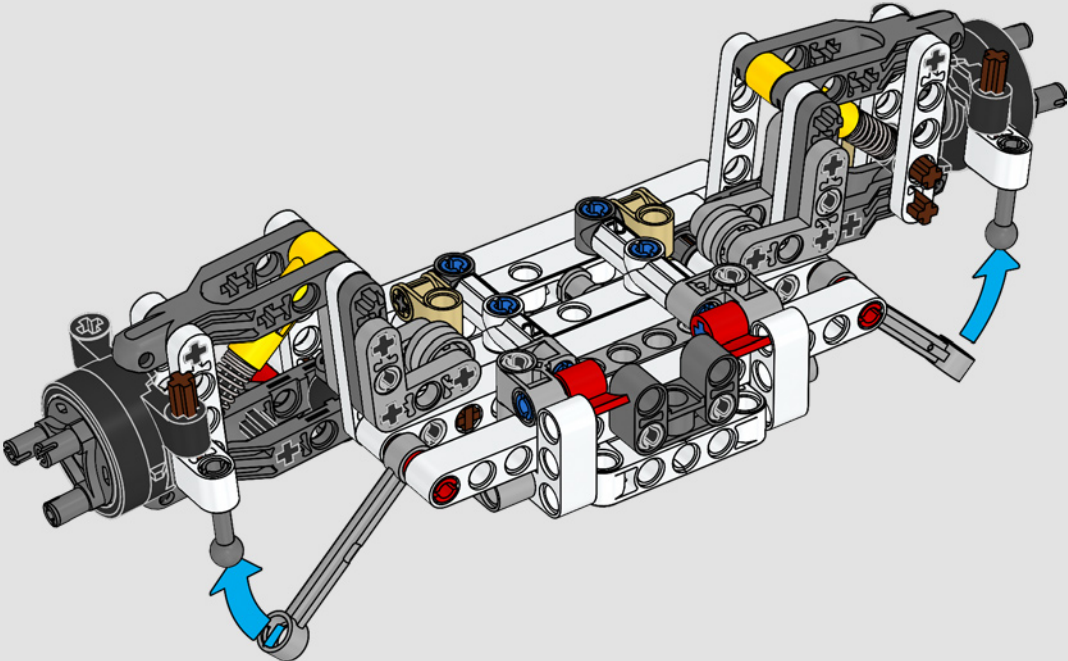
68

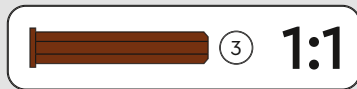
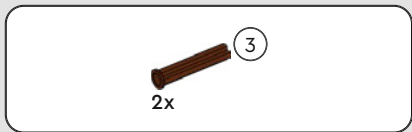


69

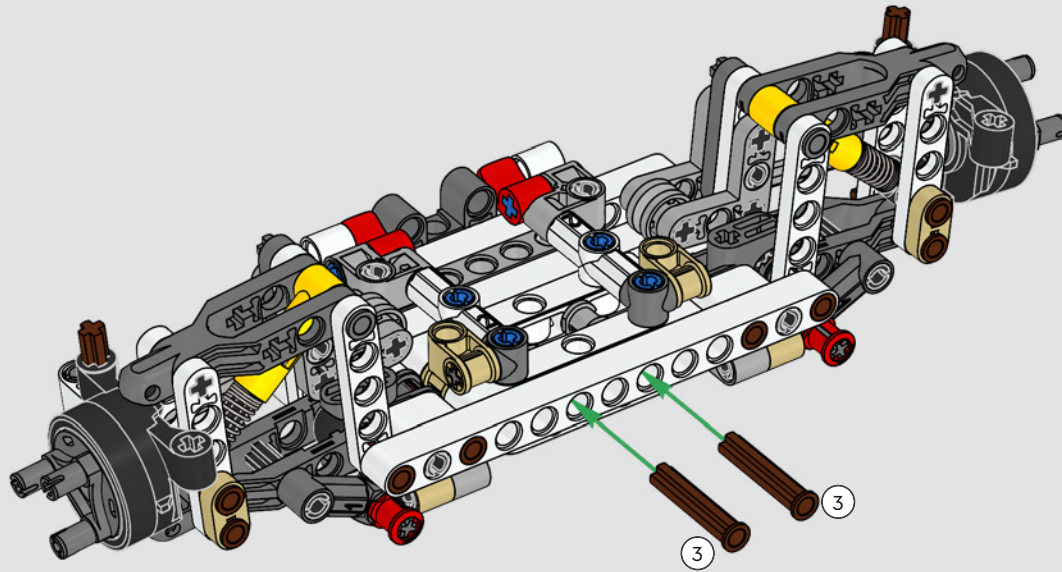








72



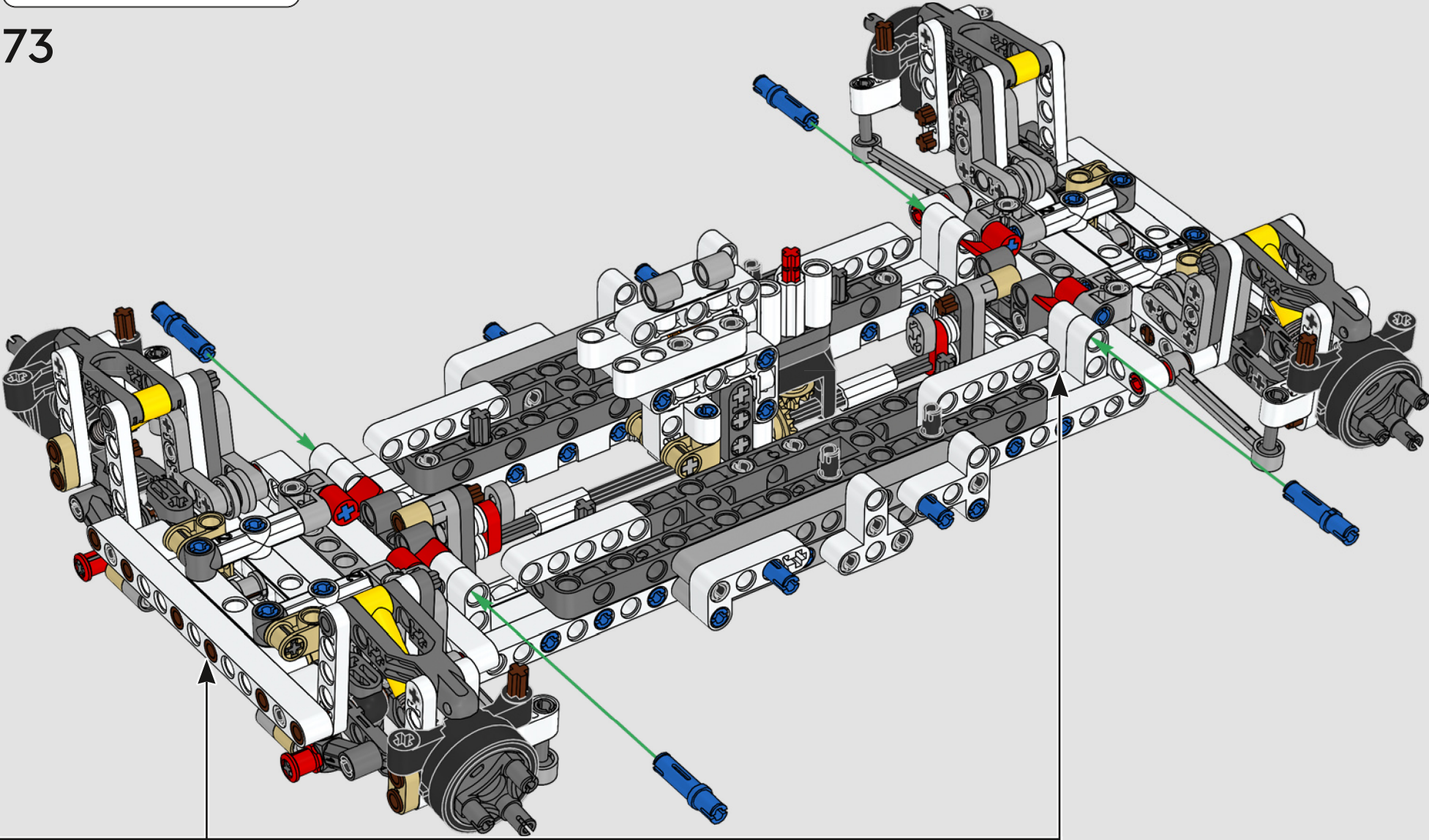
2x

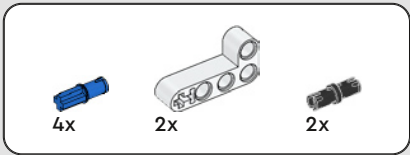




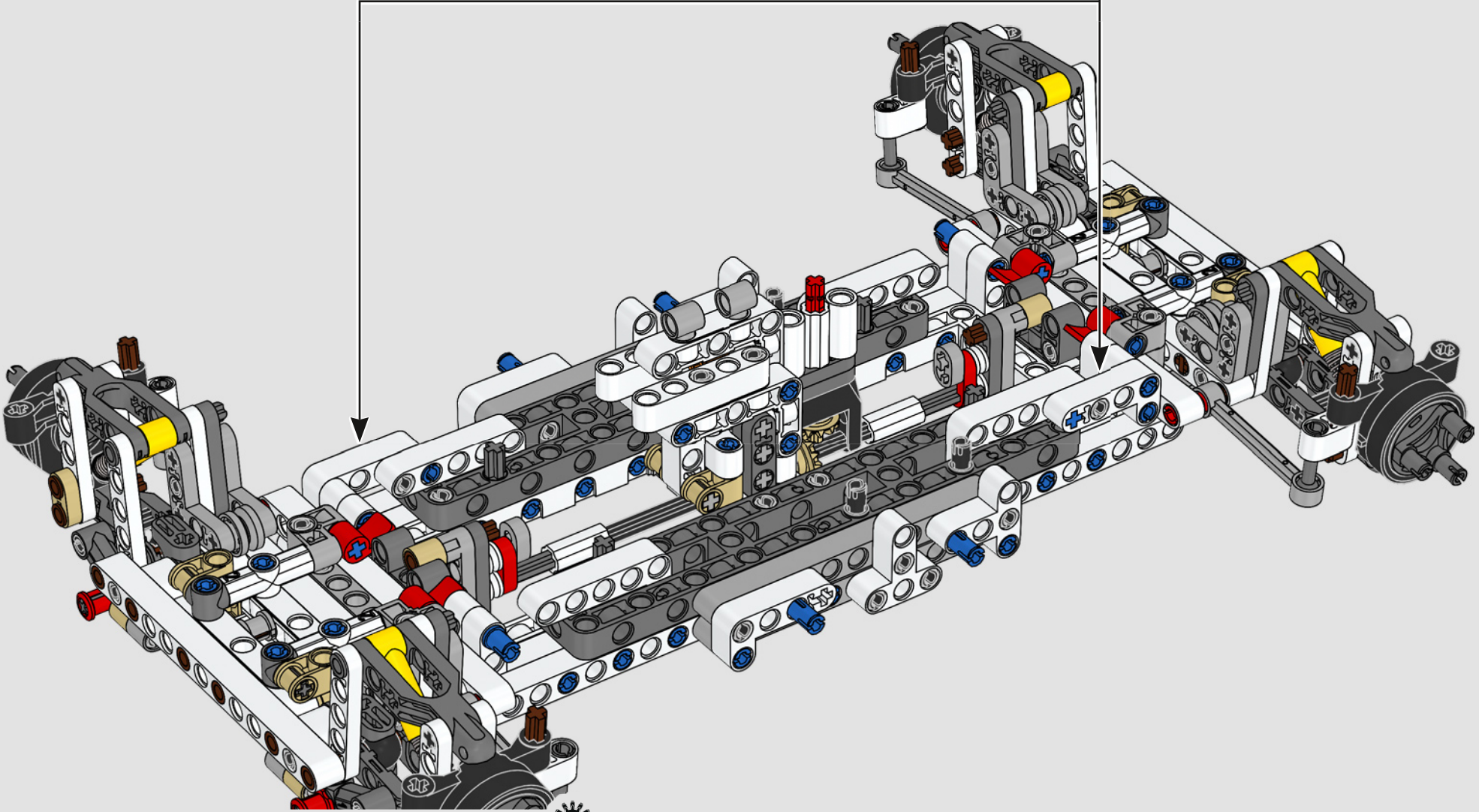
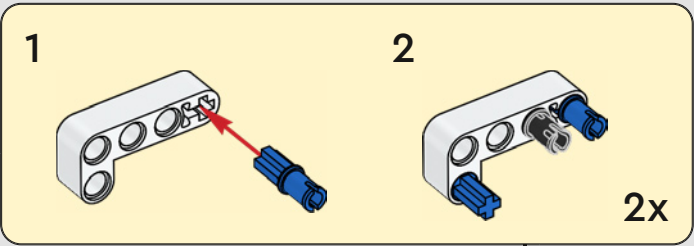


73

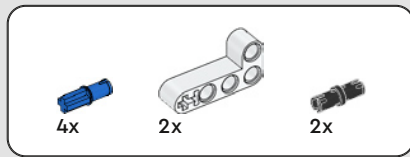




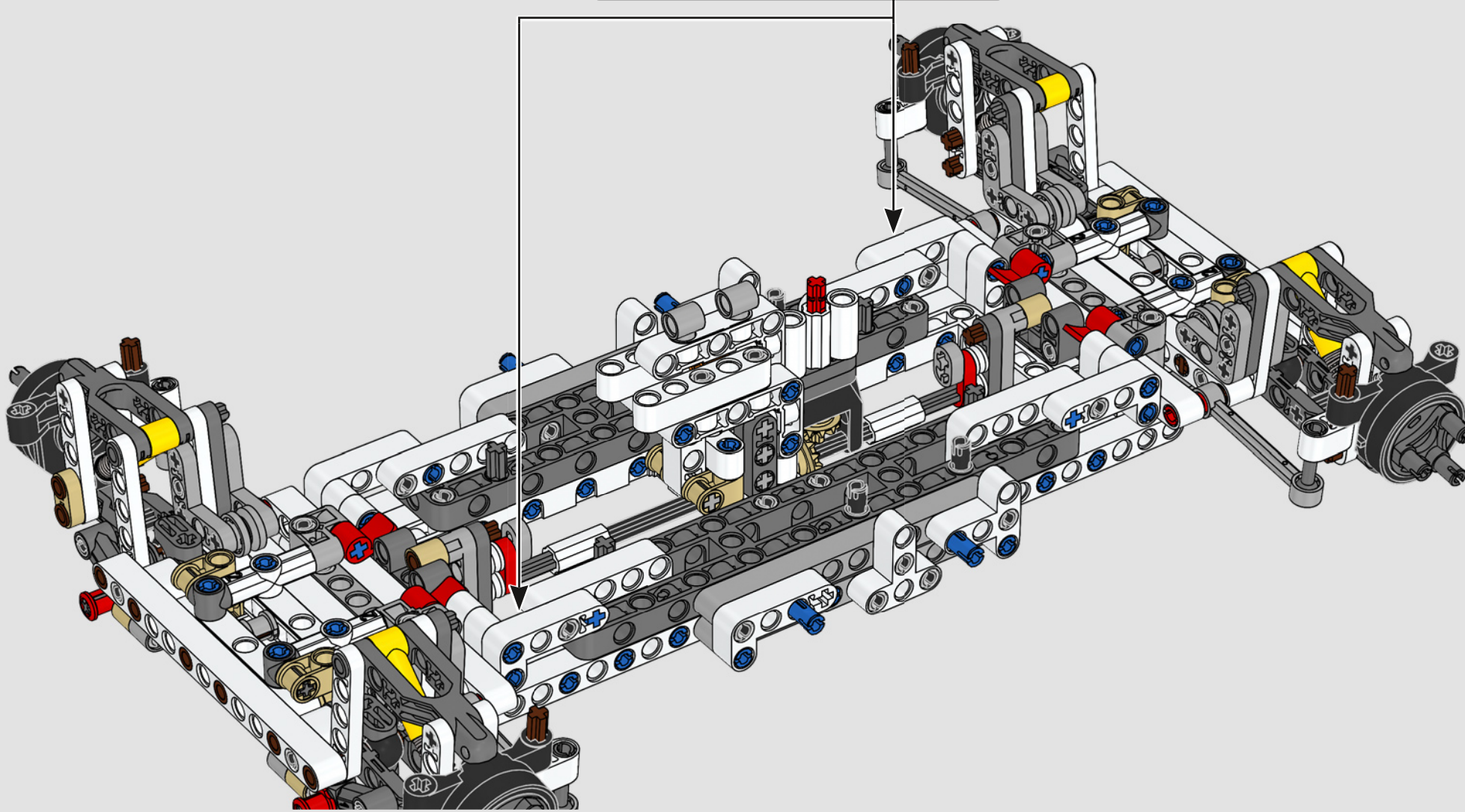
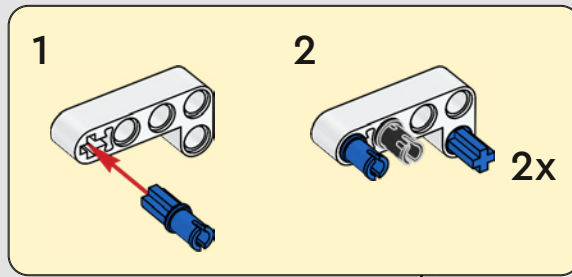
74

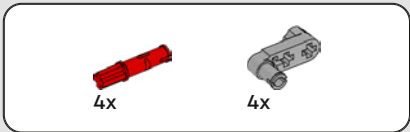




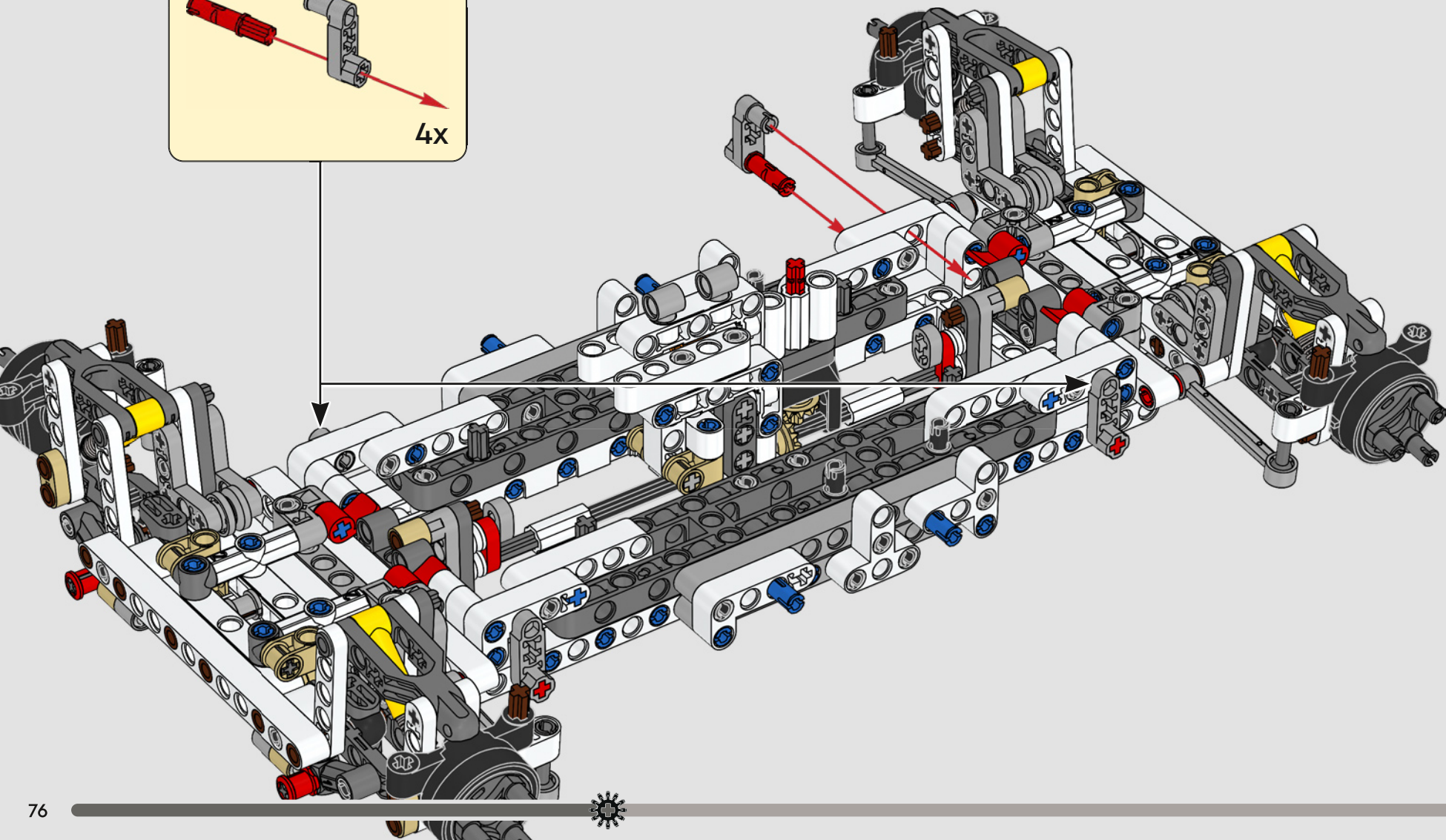
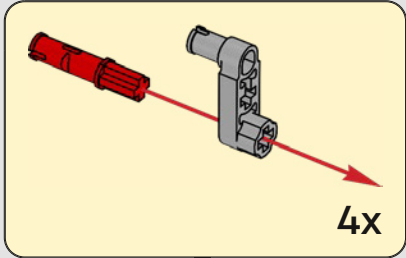


75



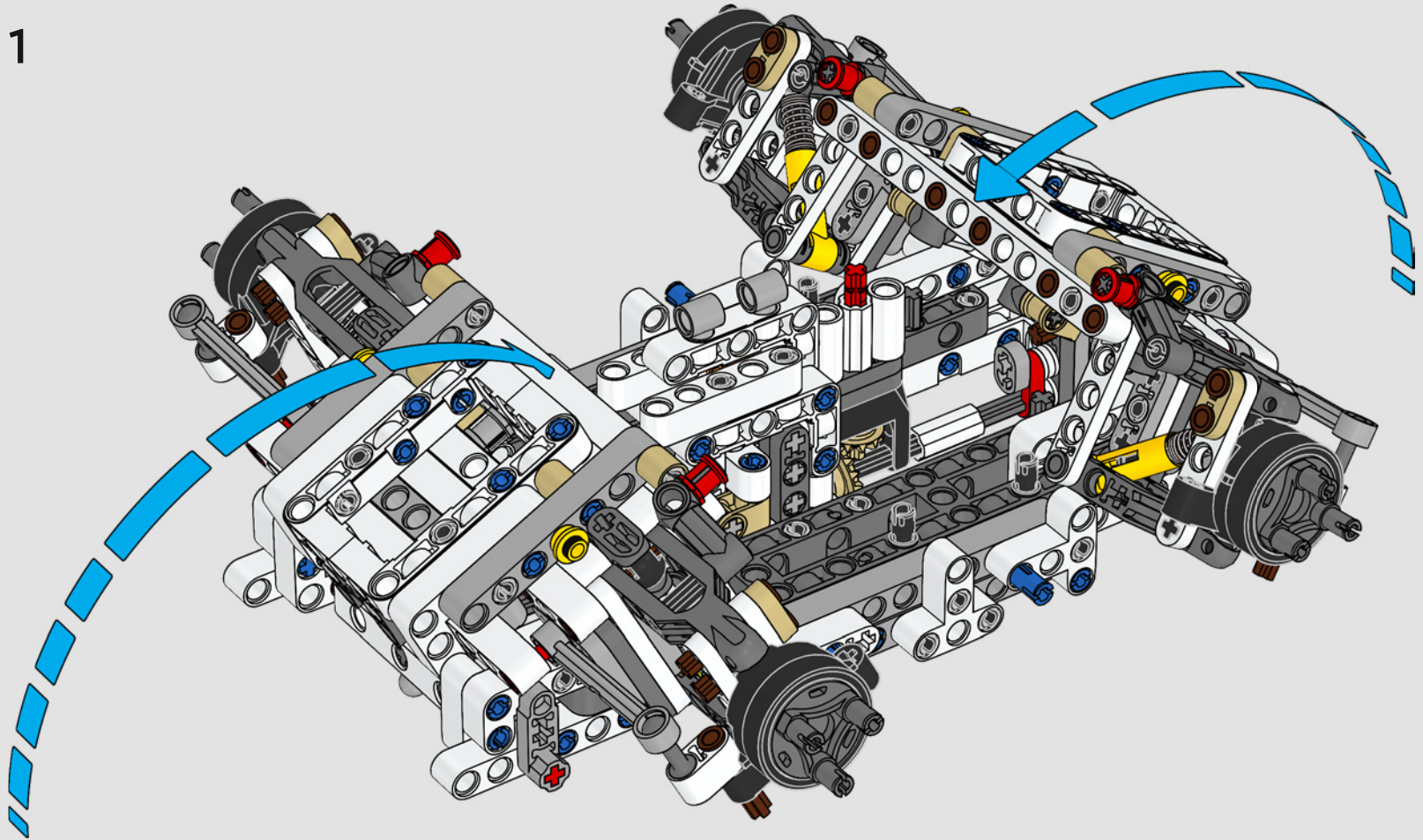


76



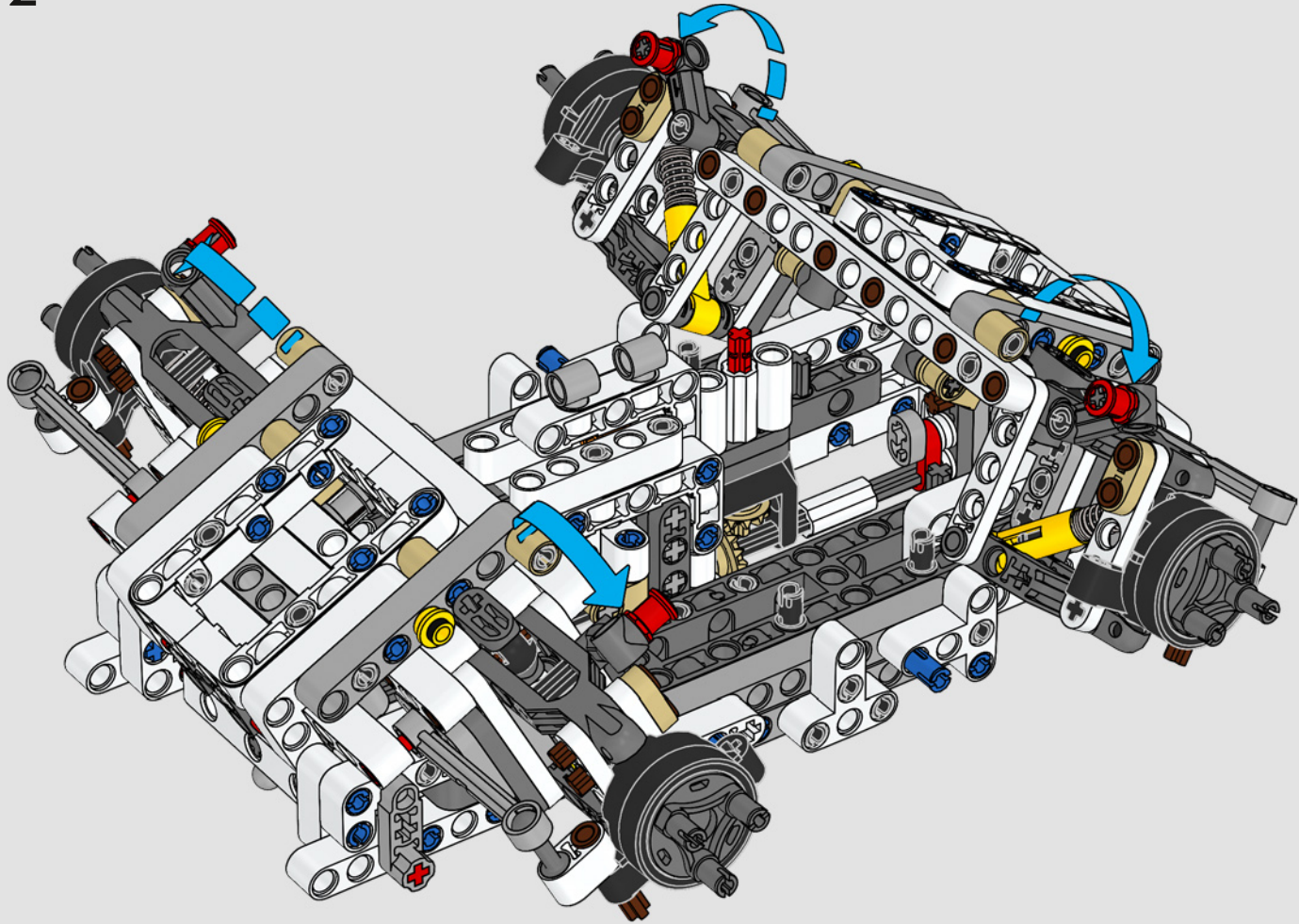


1



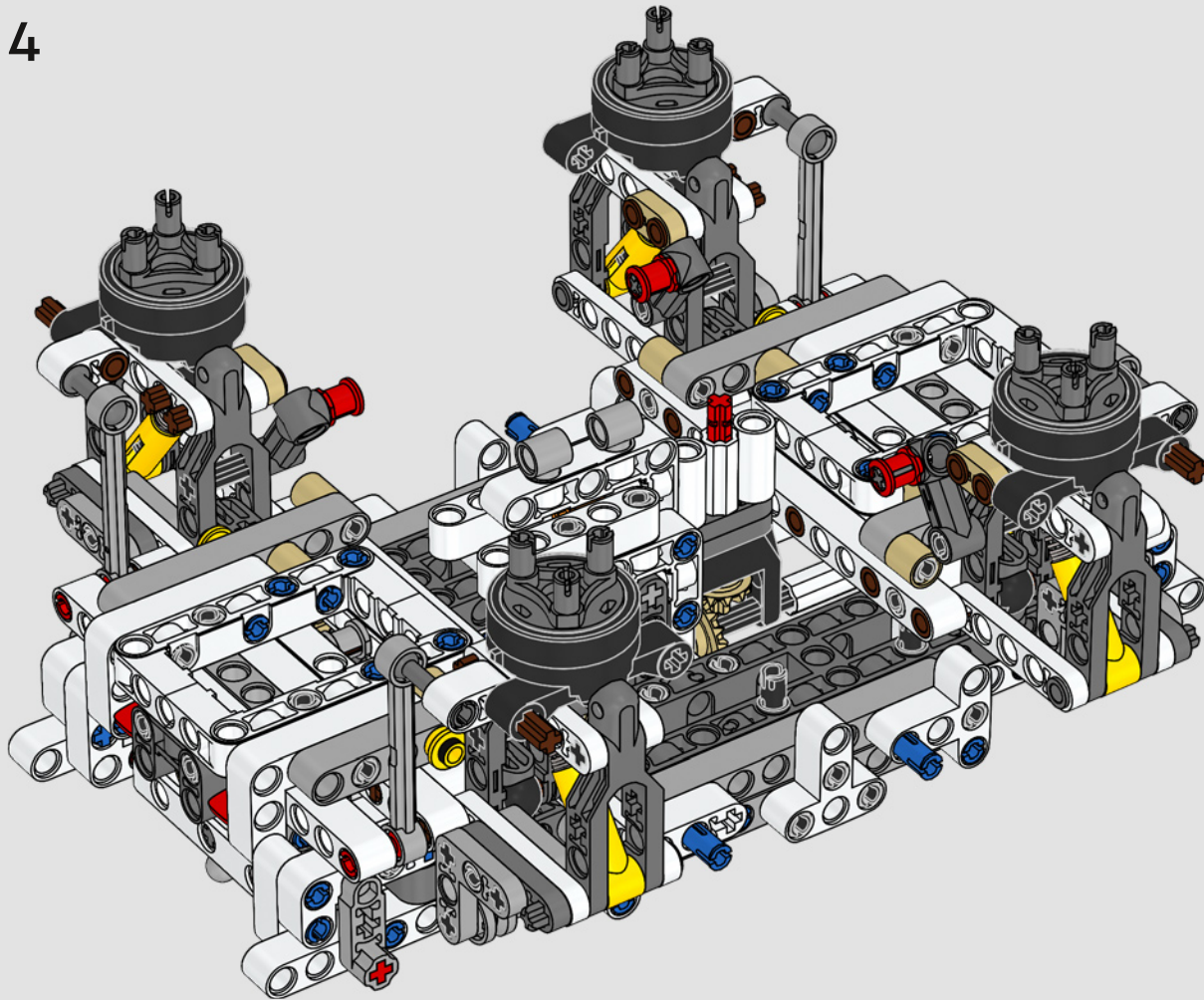


2



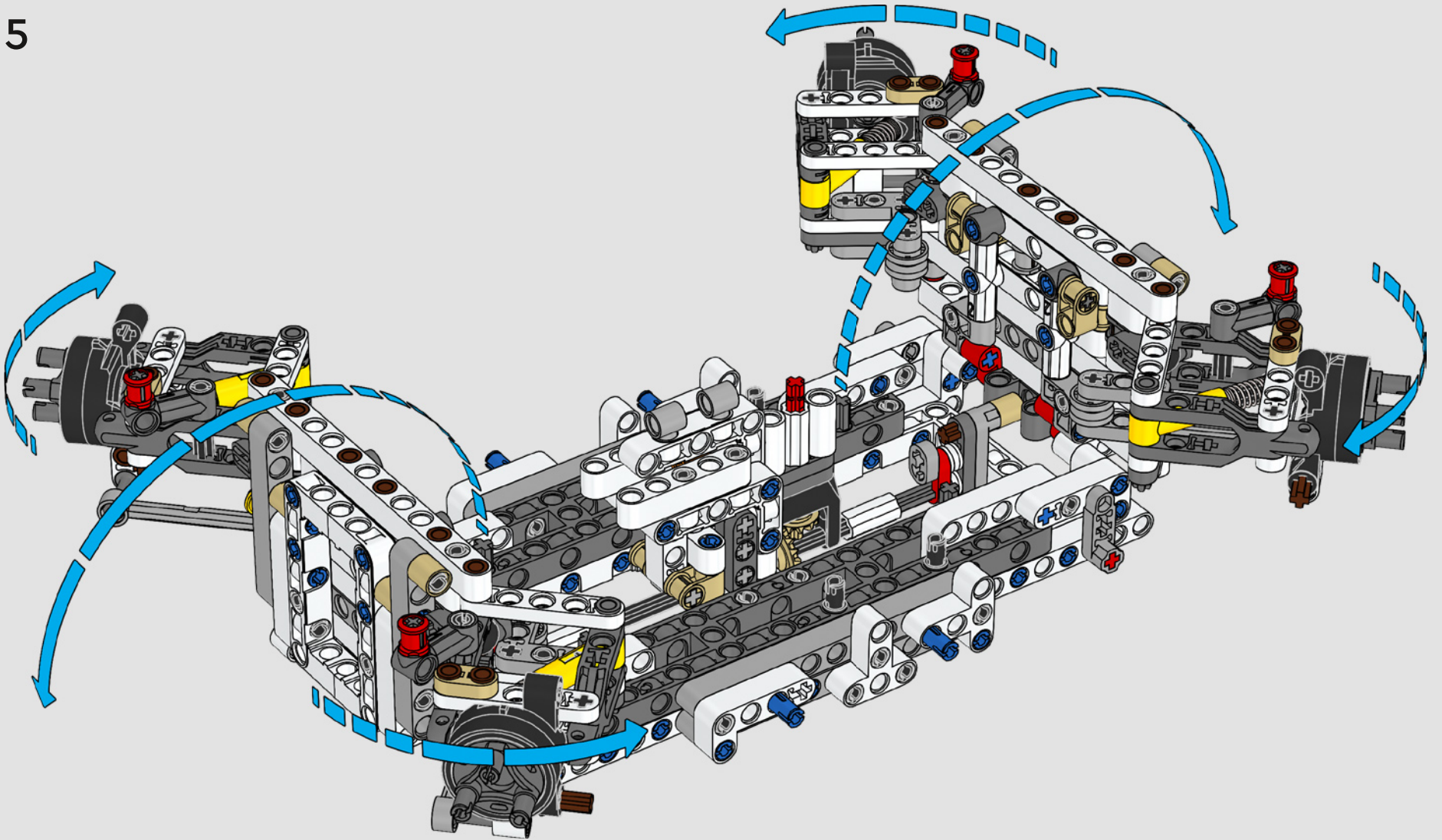


4

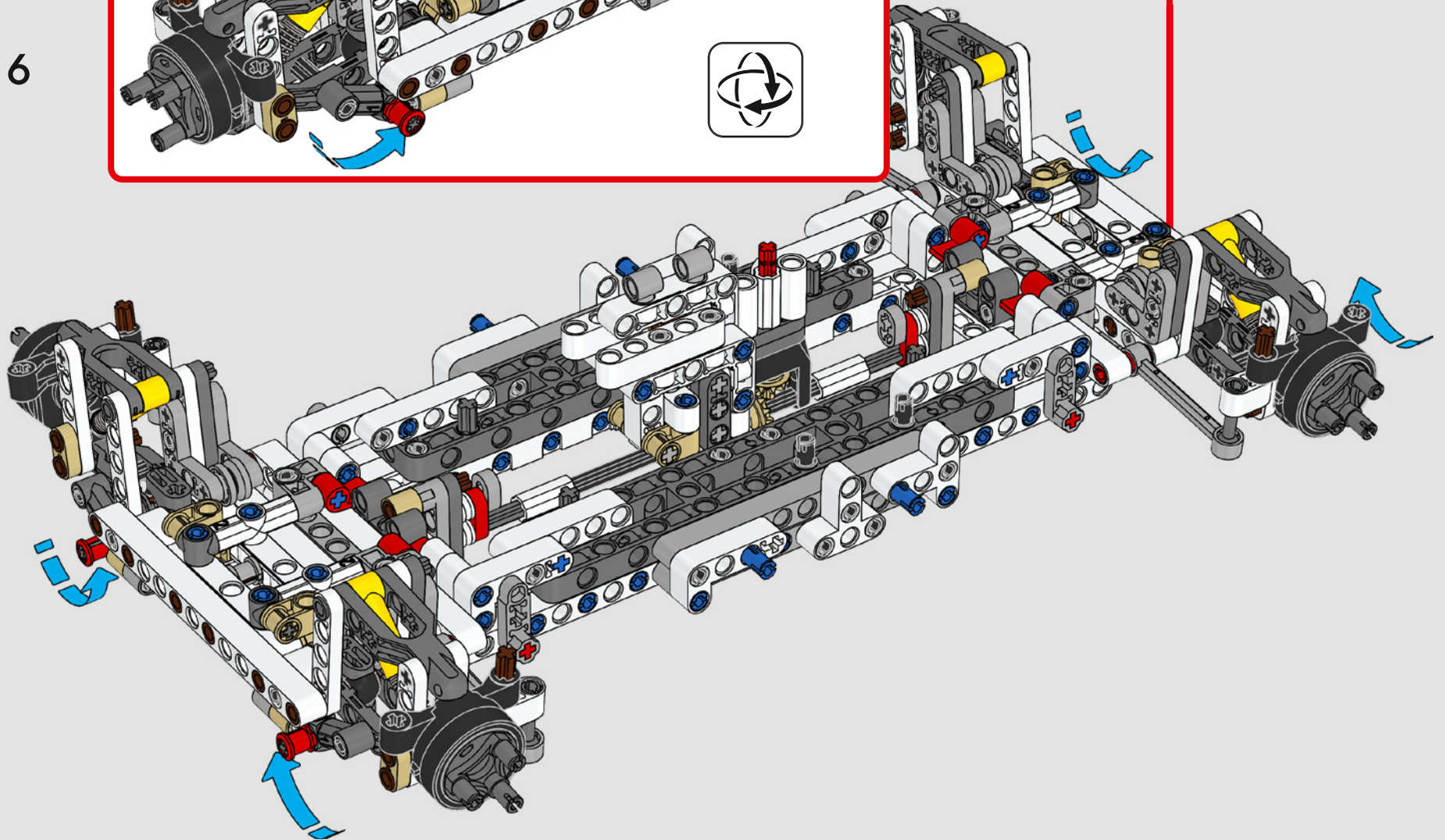
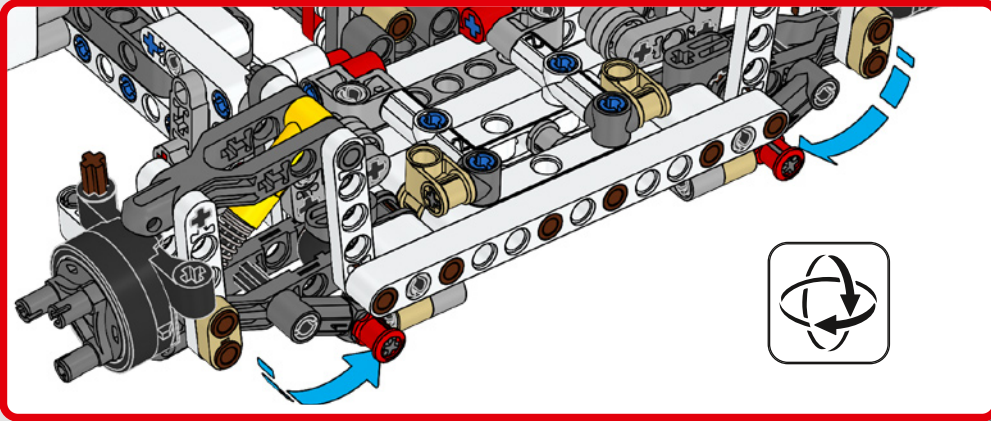




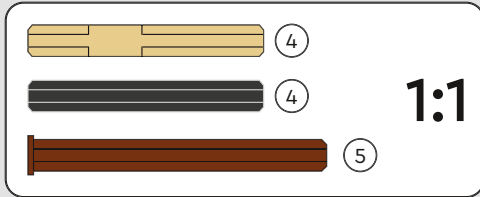
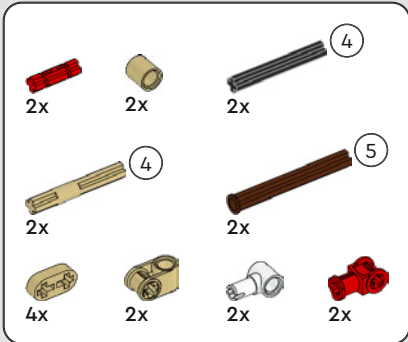
5



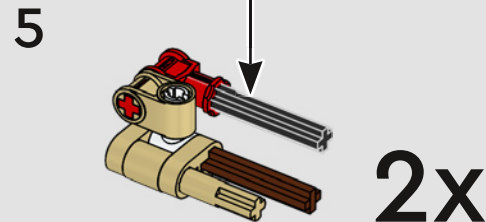
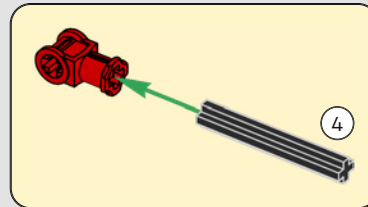
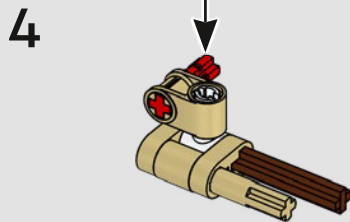
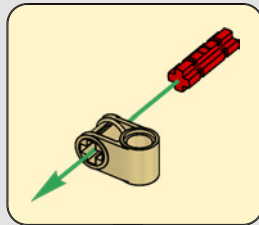
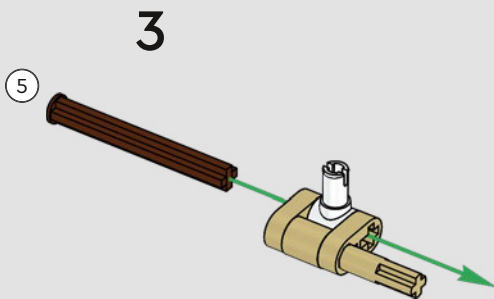
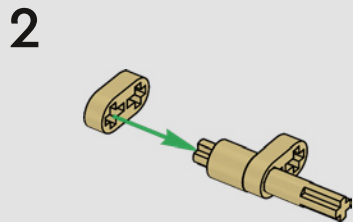
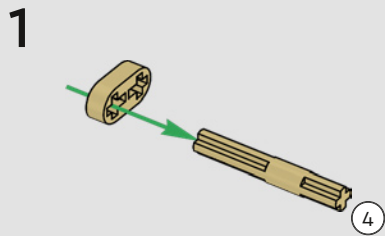
6

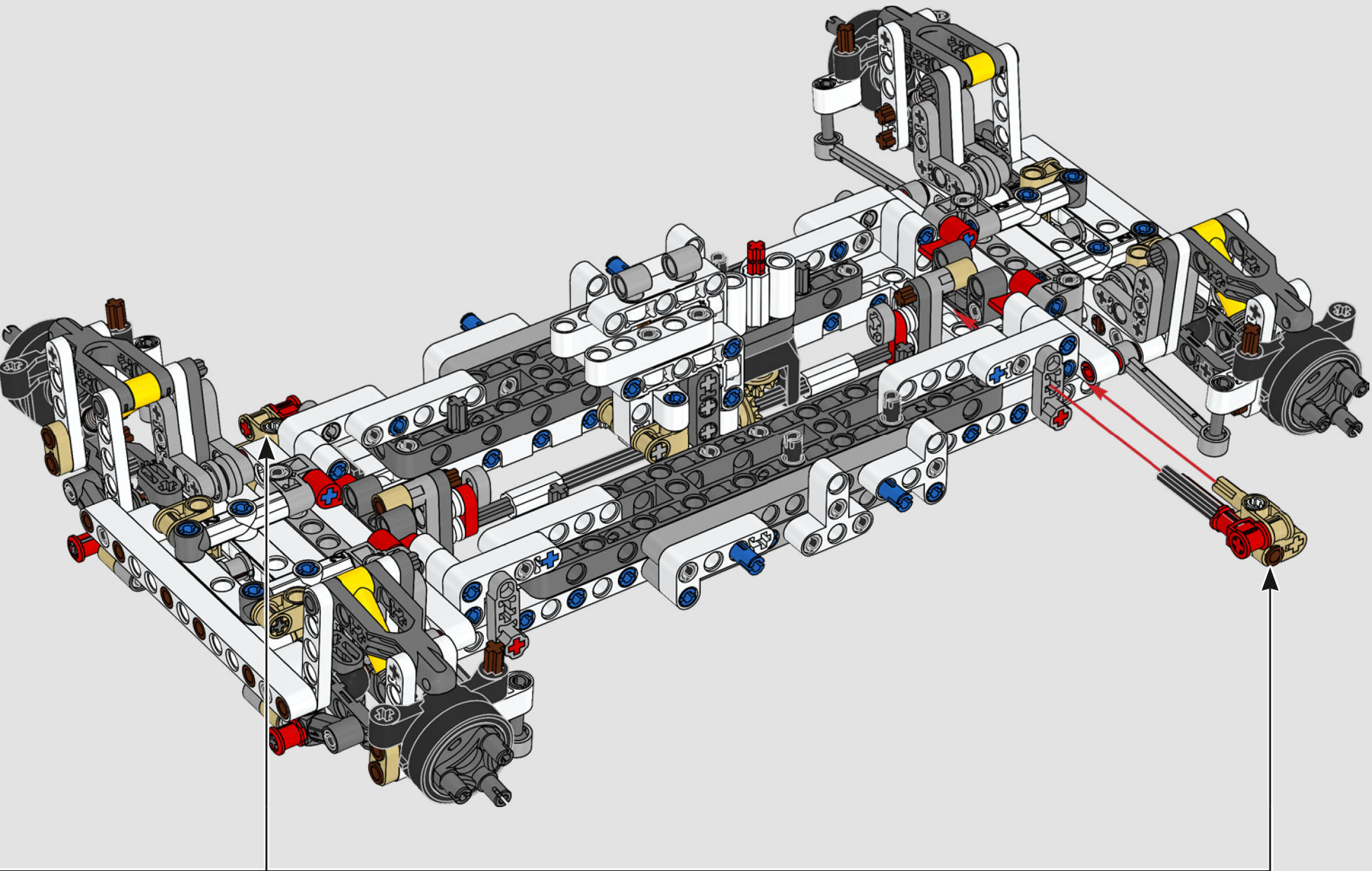


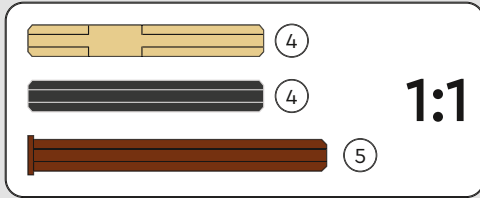
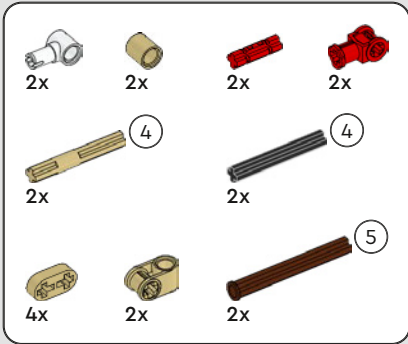




77

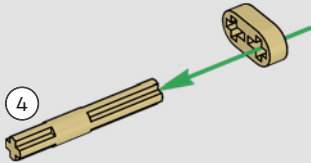




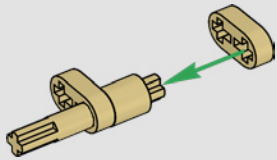


78

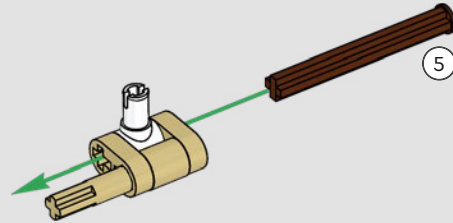
1



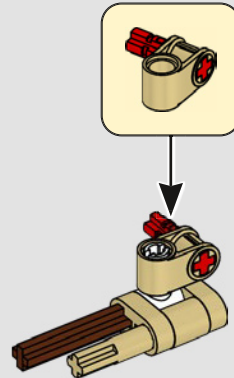
2



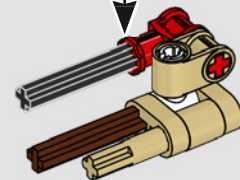
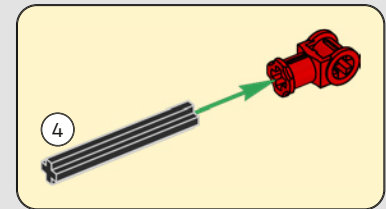
3



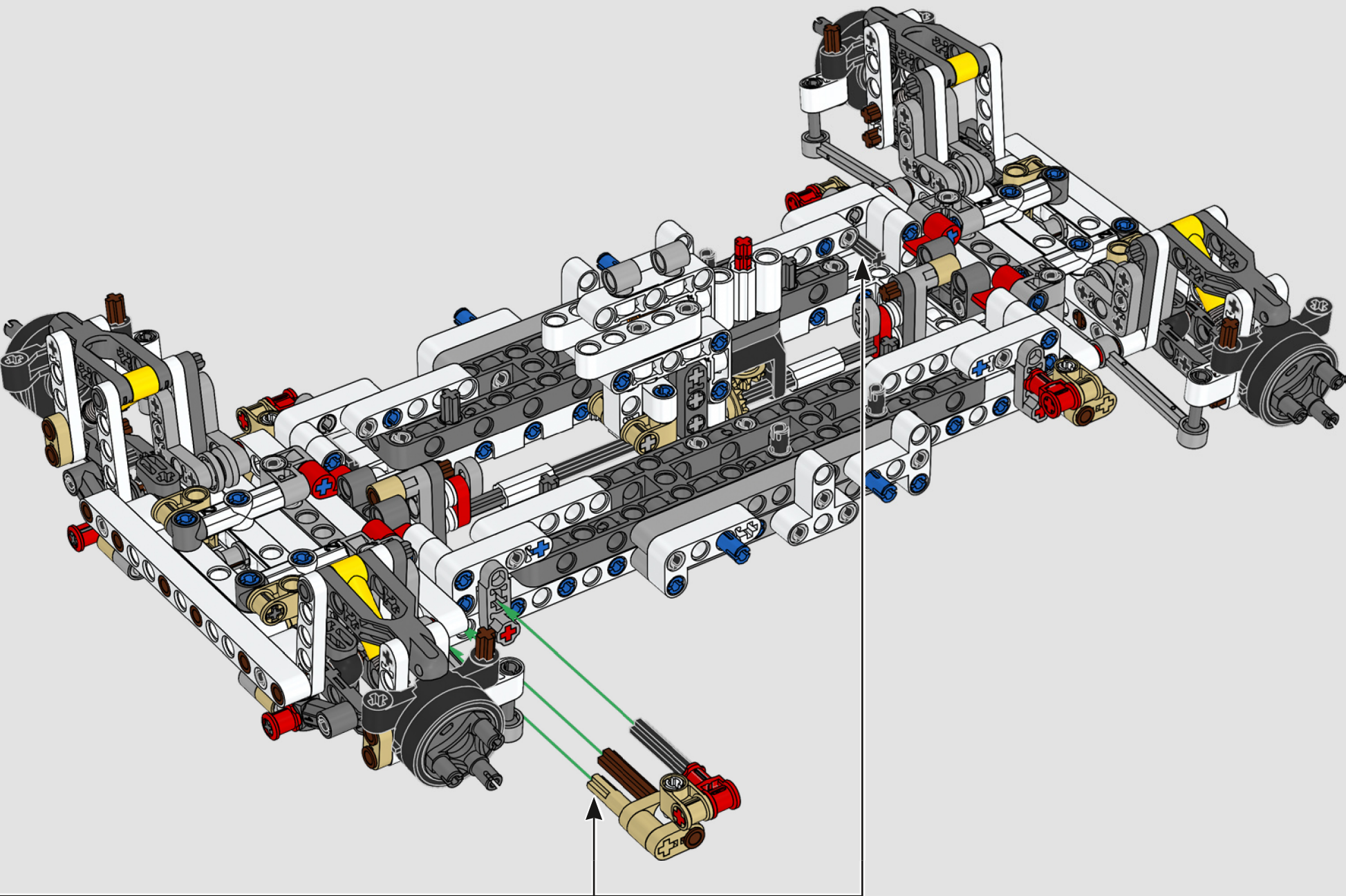
4



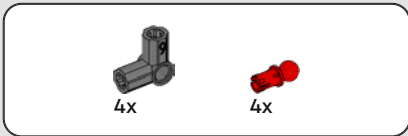
5



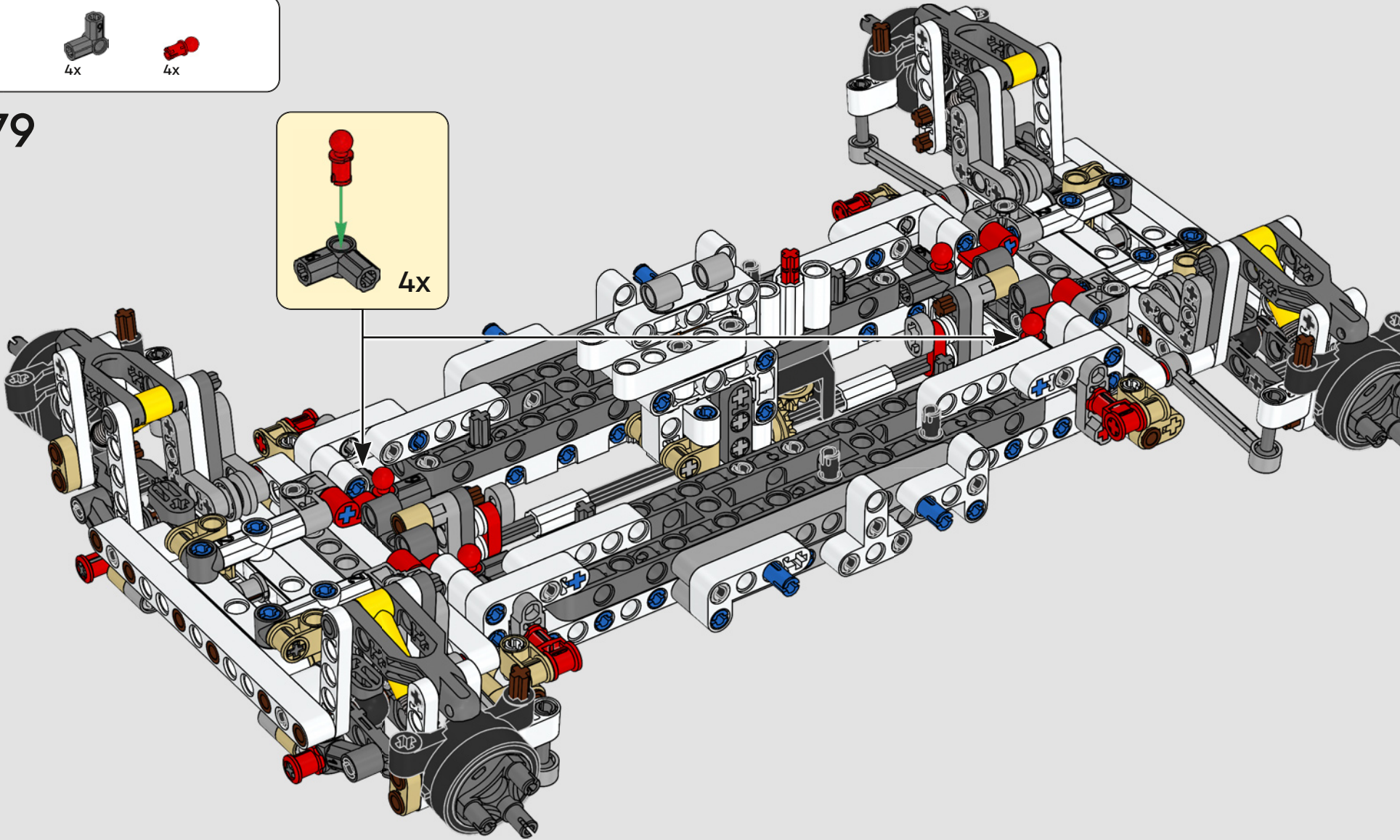
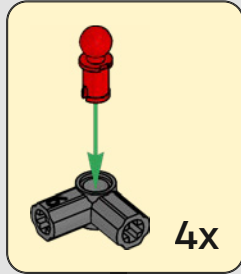
2x



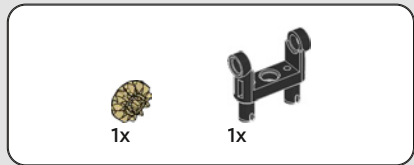




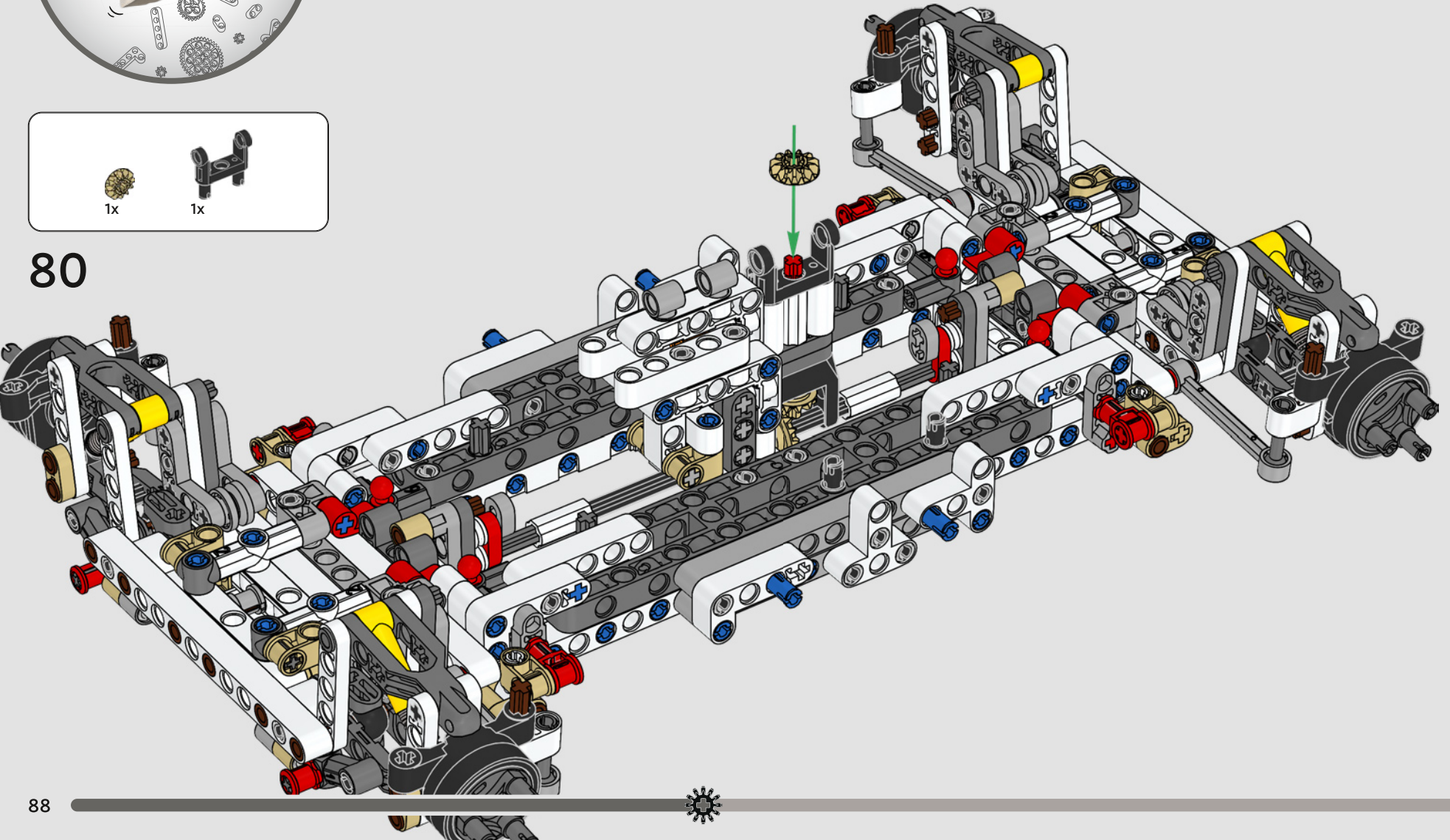
79

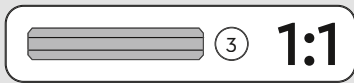
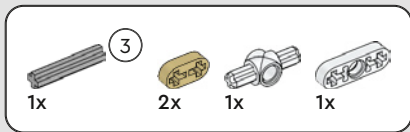




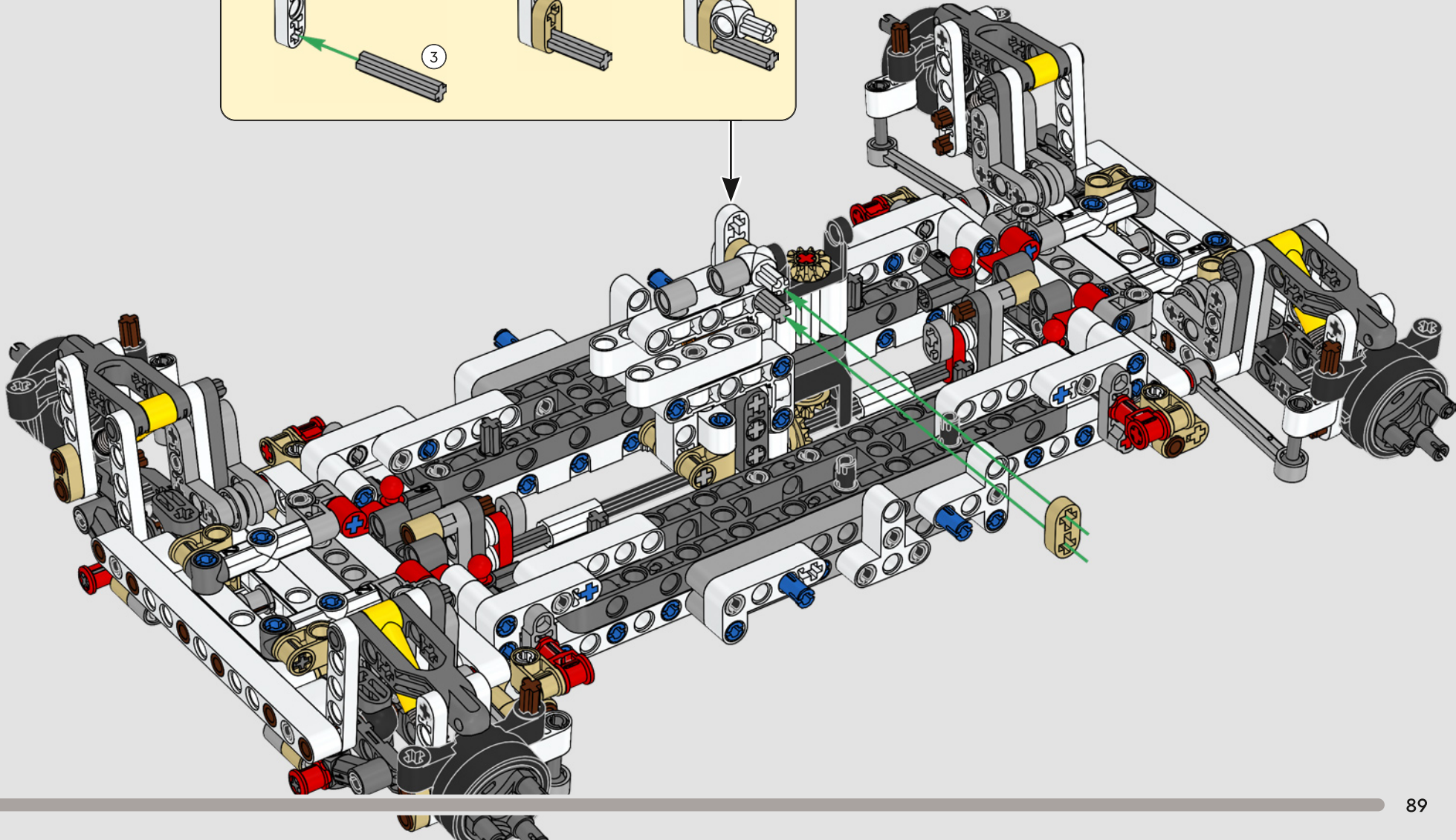
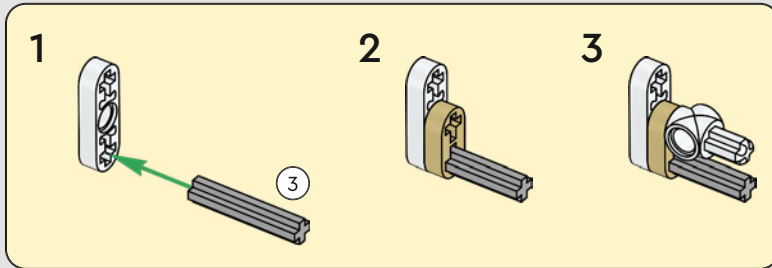


80

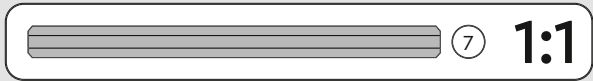
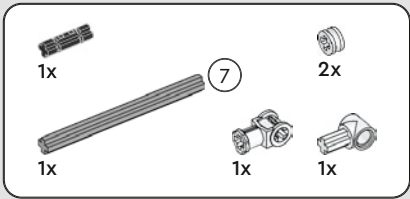




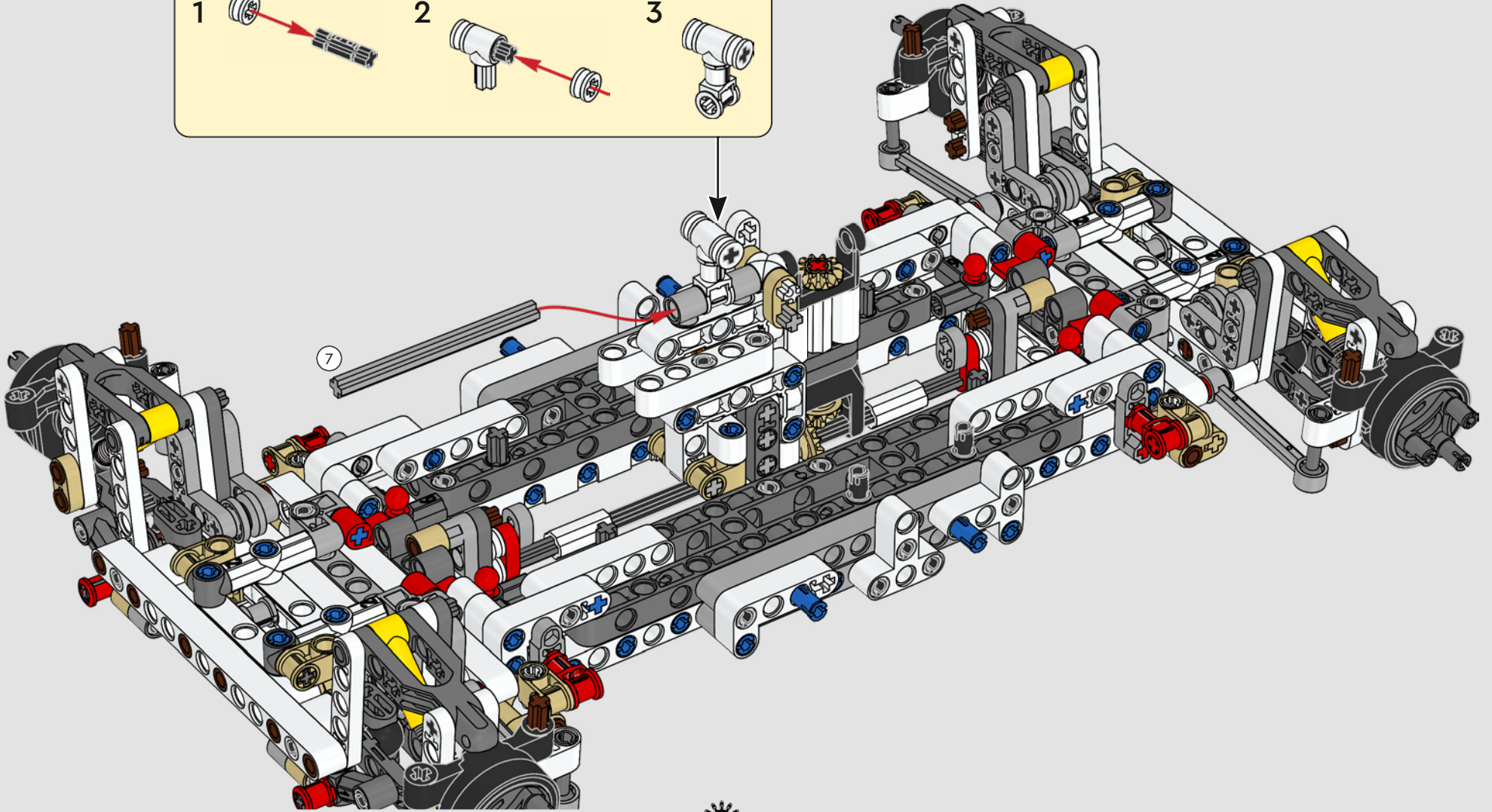
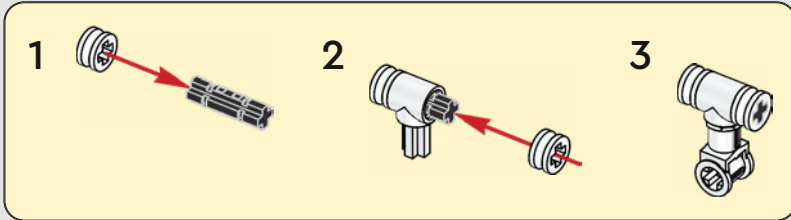
81

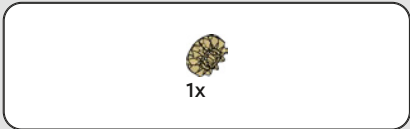




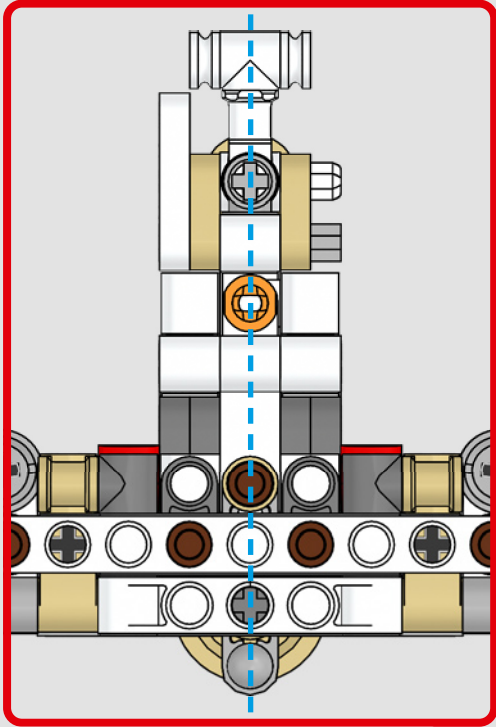
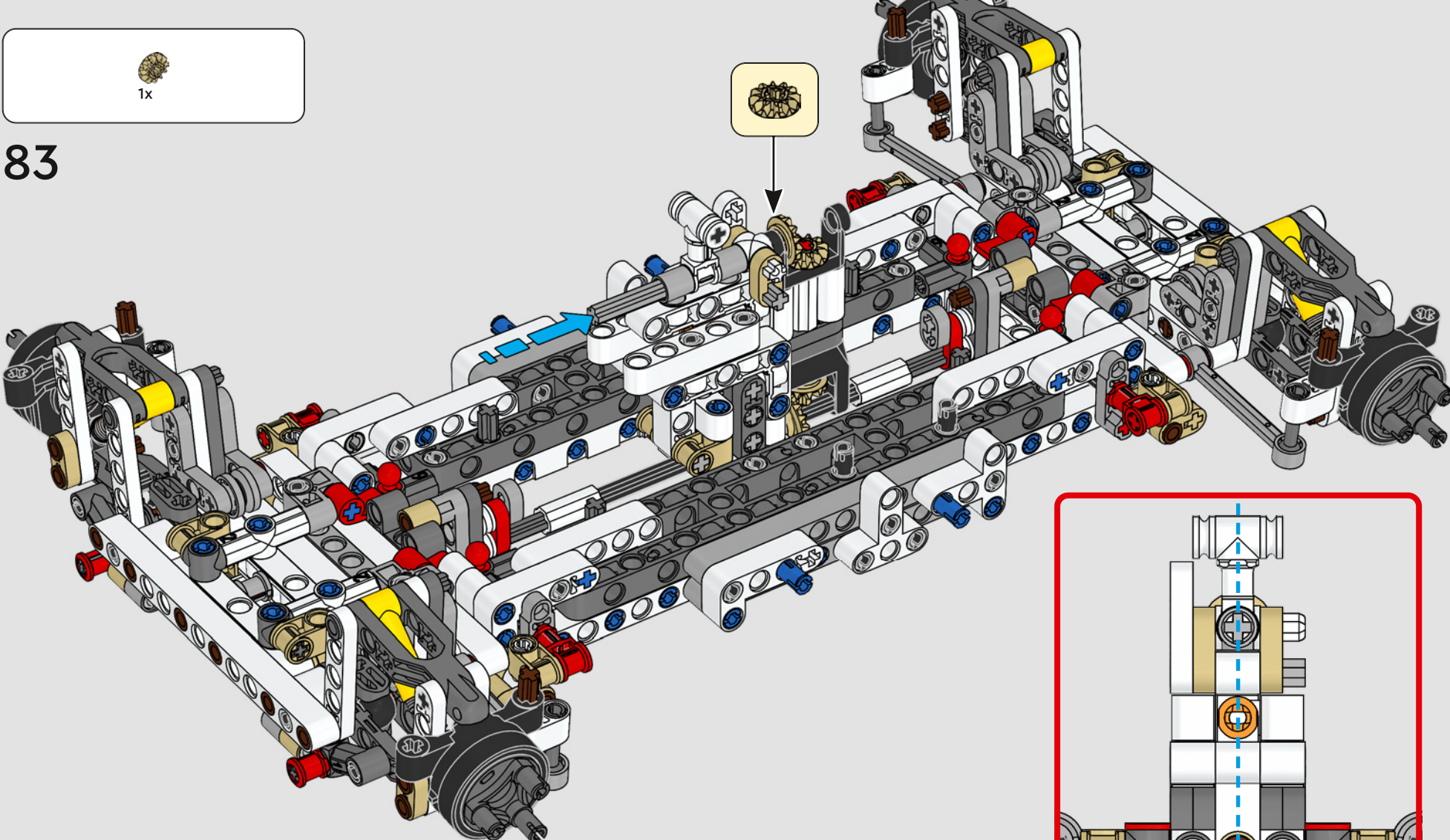


82

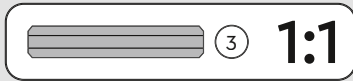
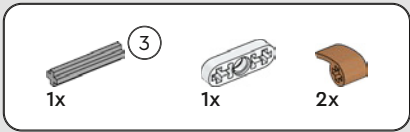




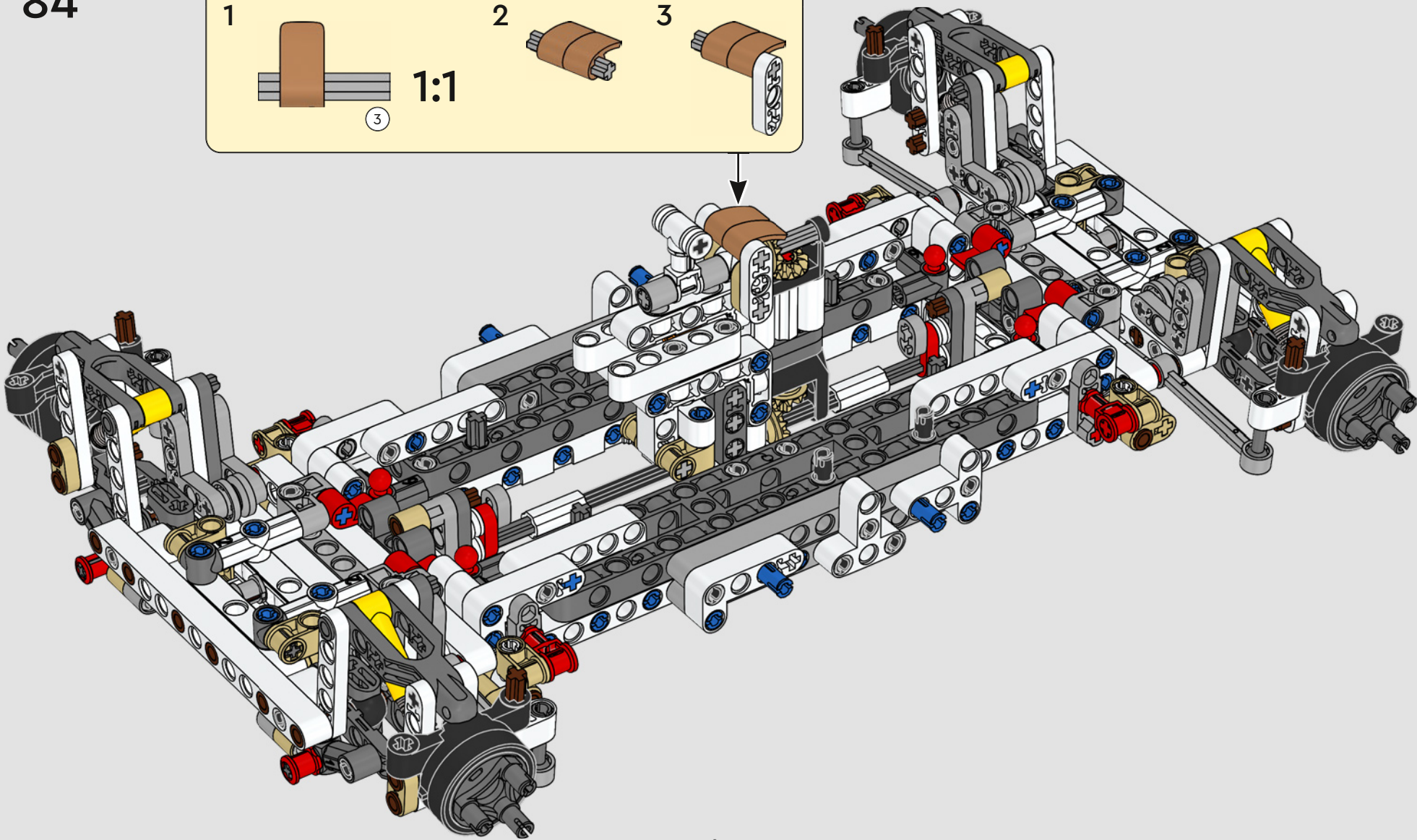
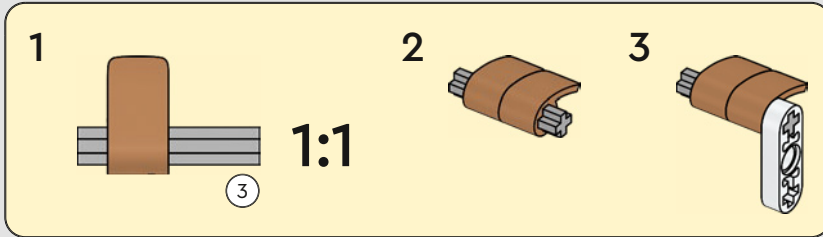
83



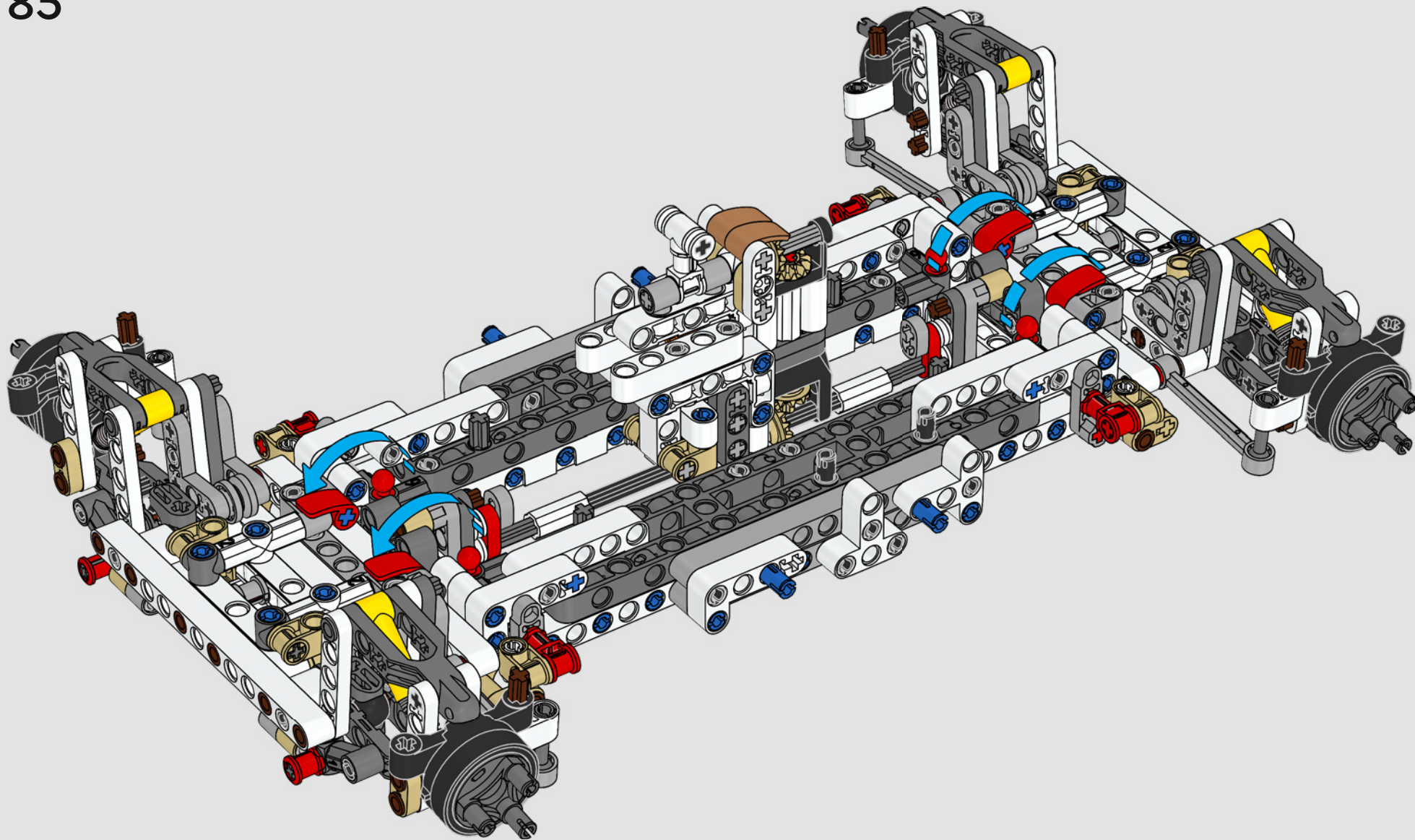


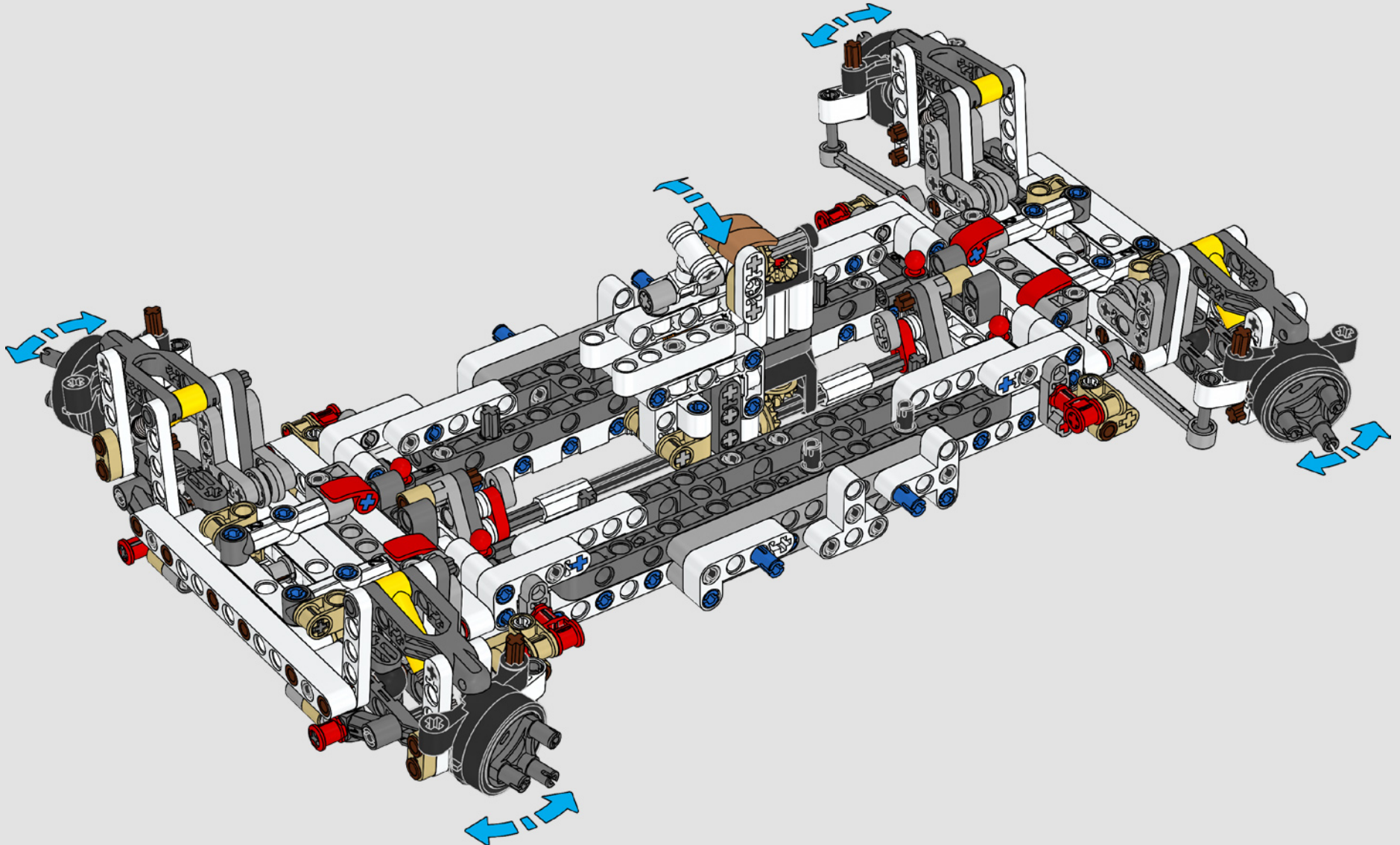


84



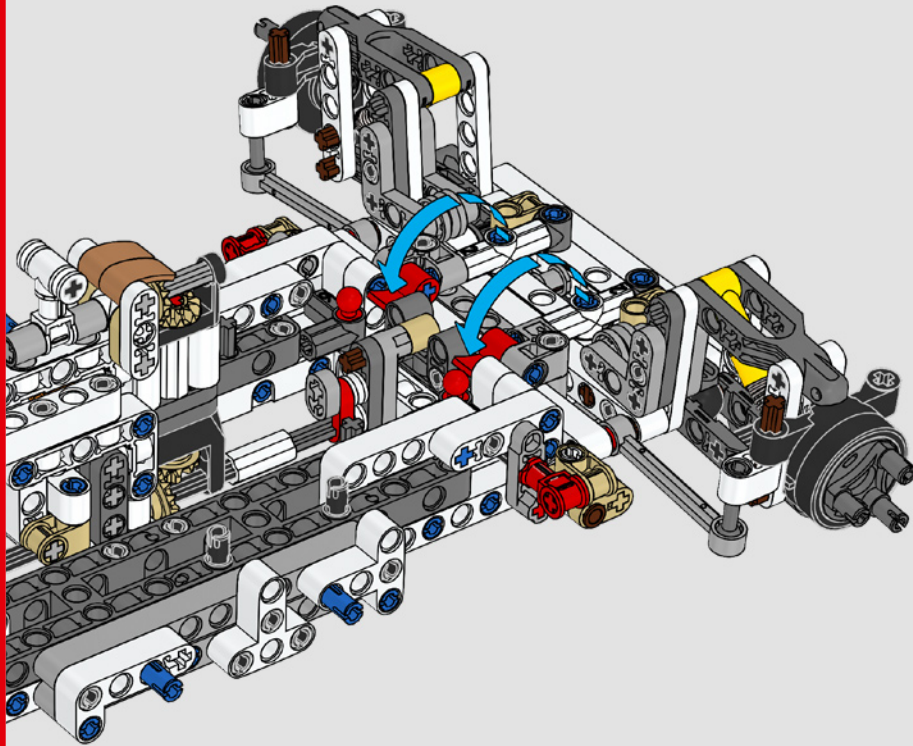




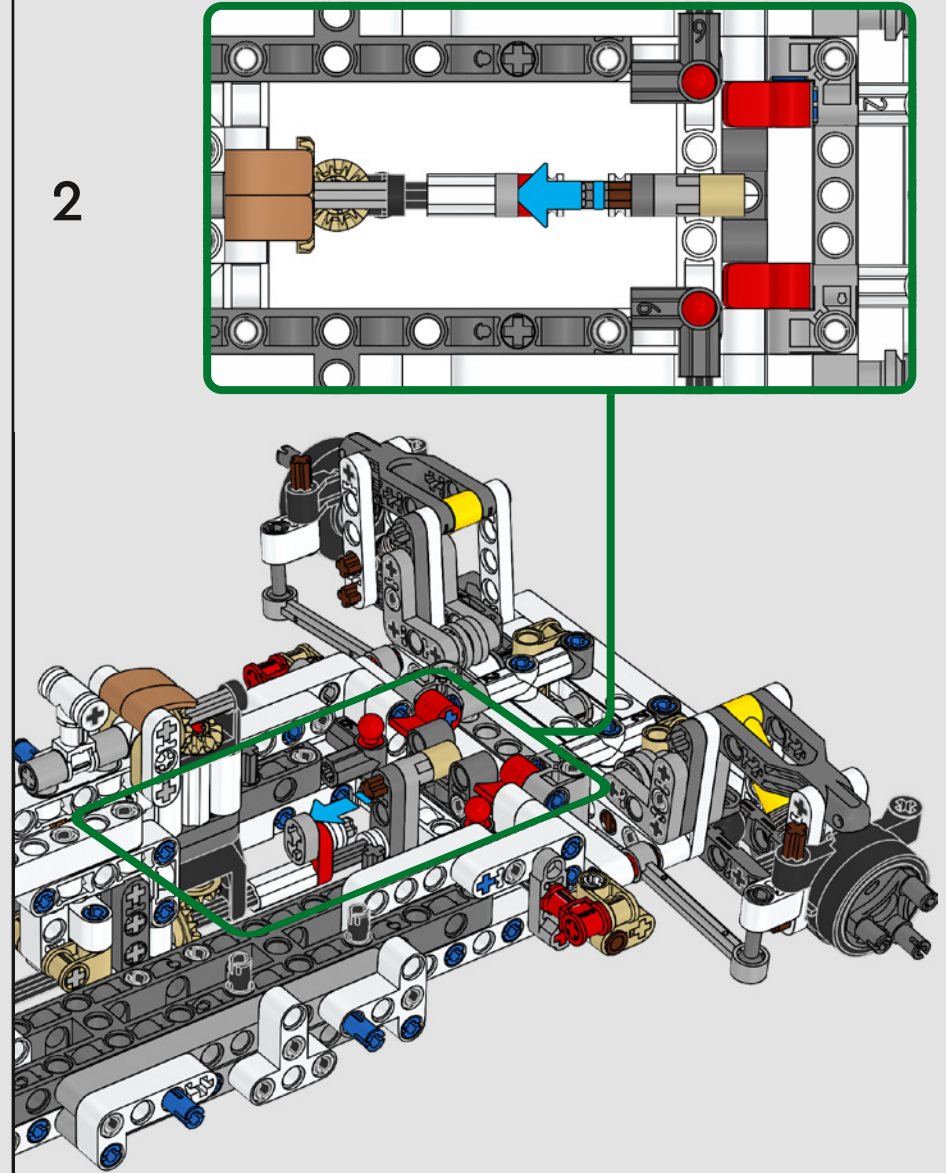




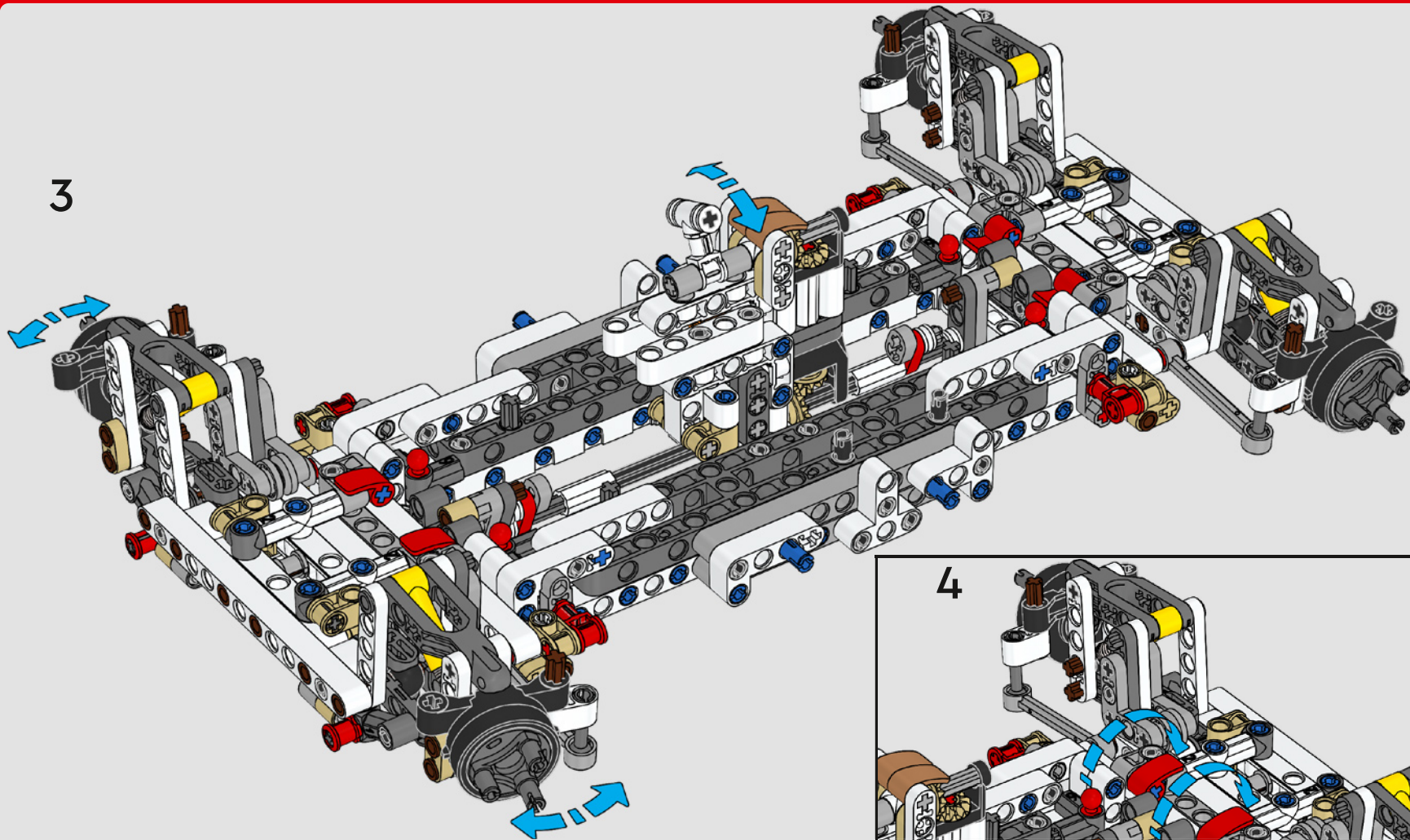
1



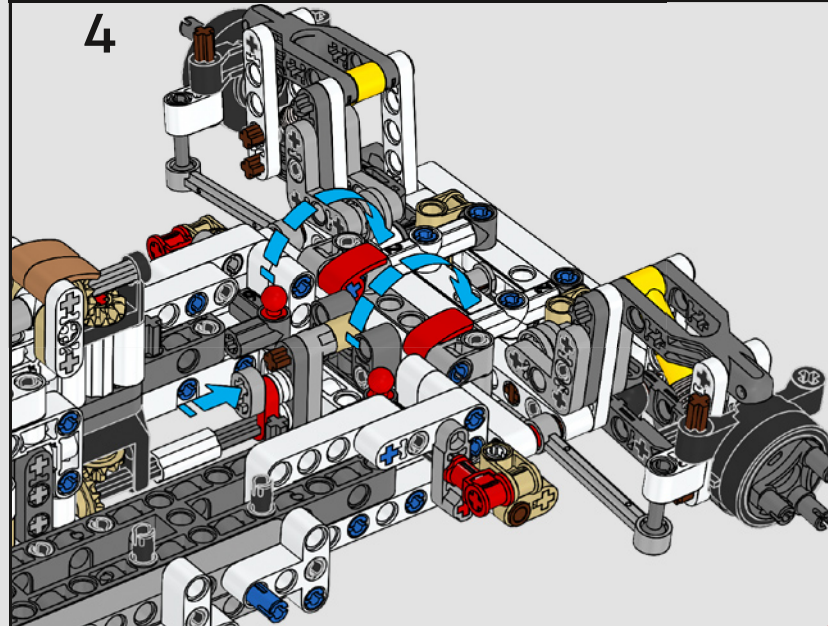
2



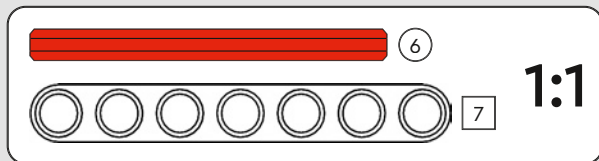
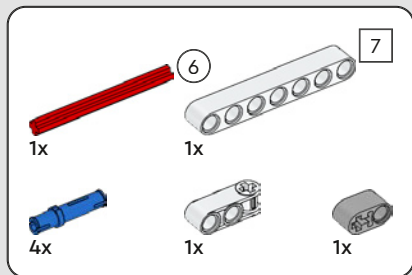
3



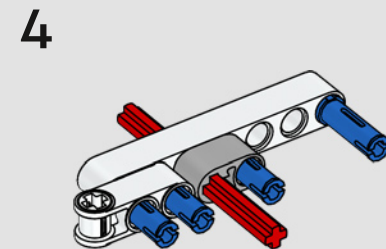
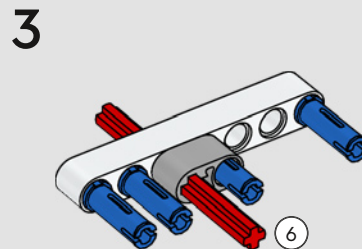
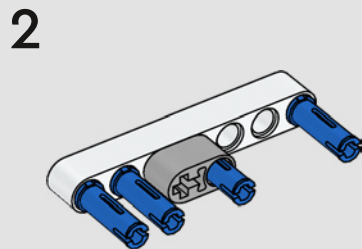
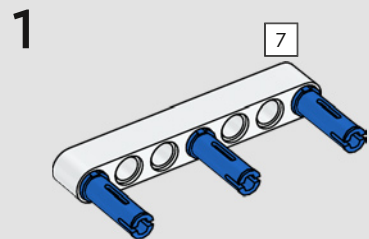
4

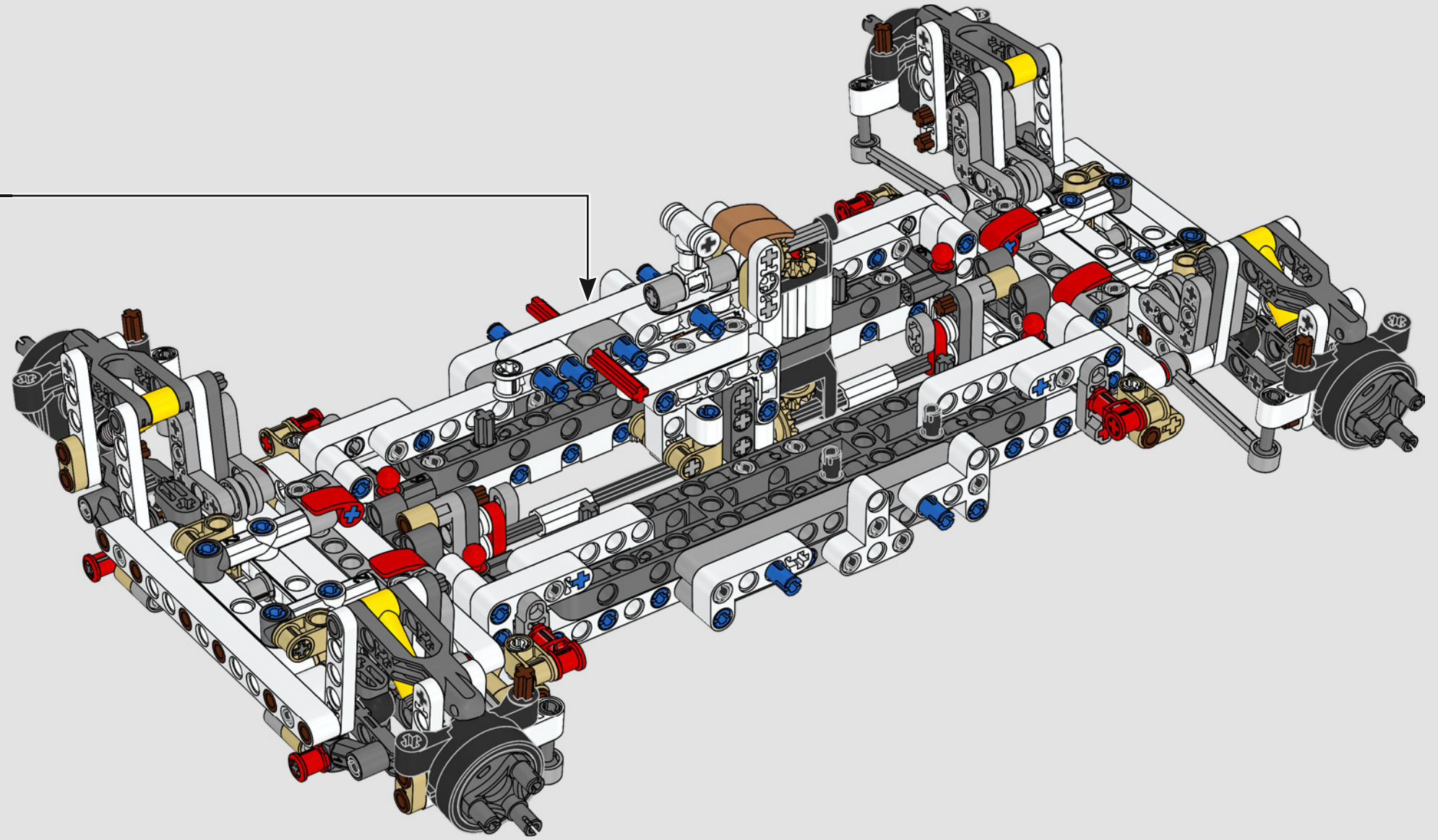


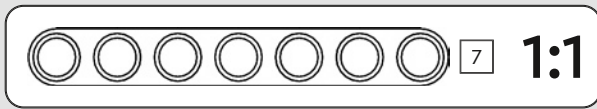
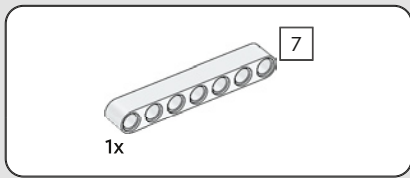




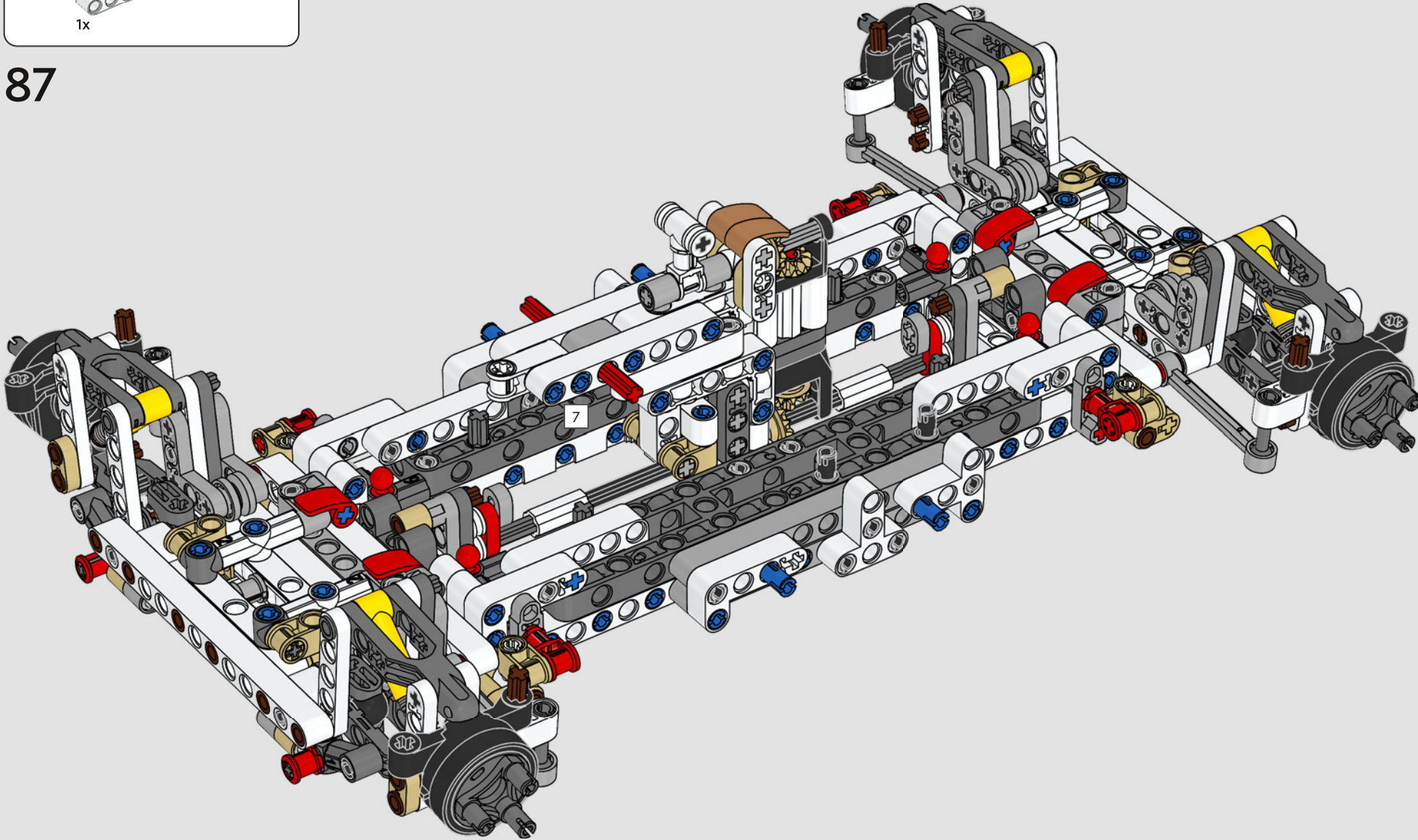
86







87





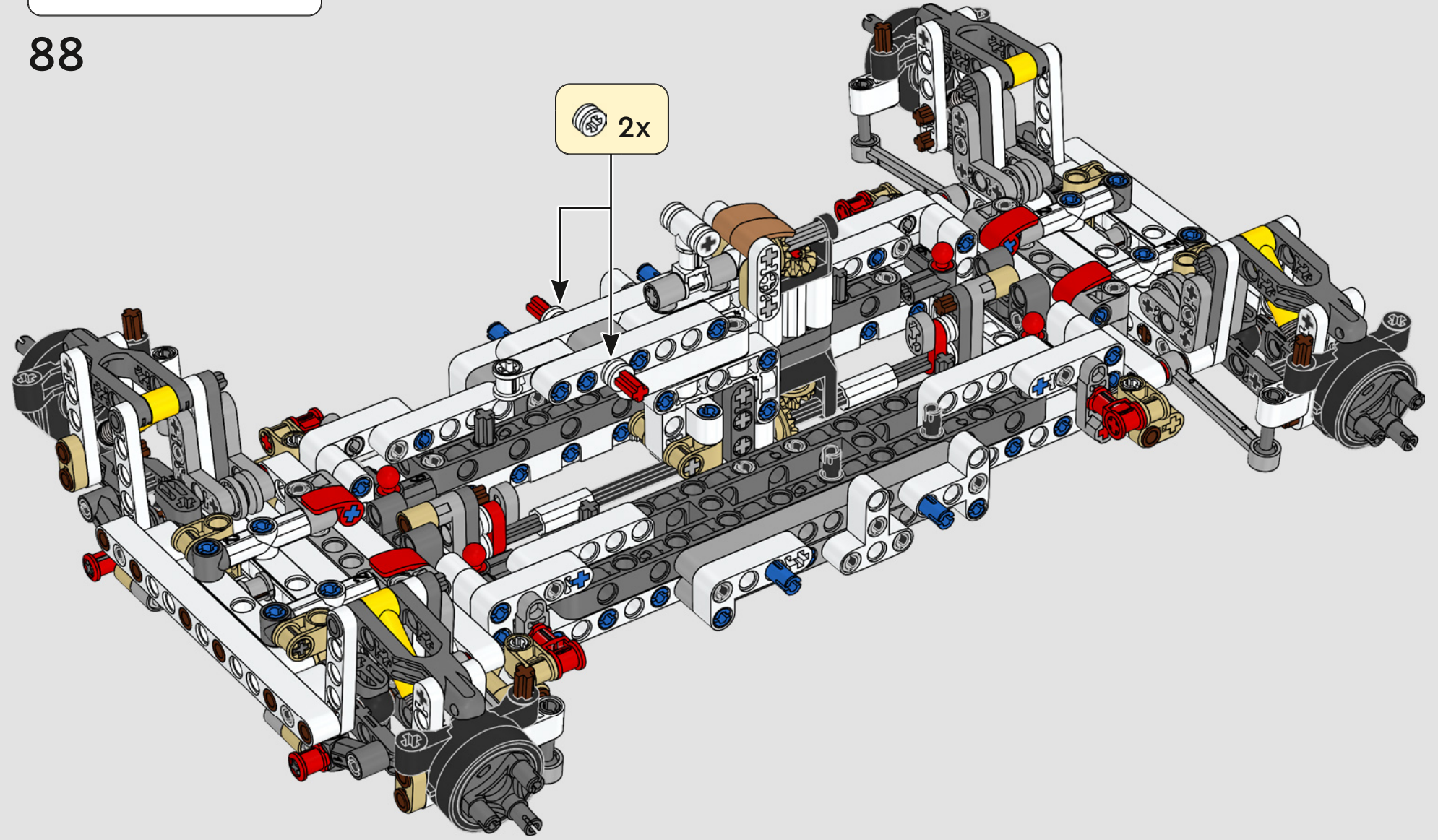


2x

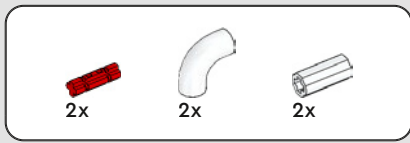
88



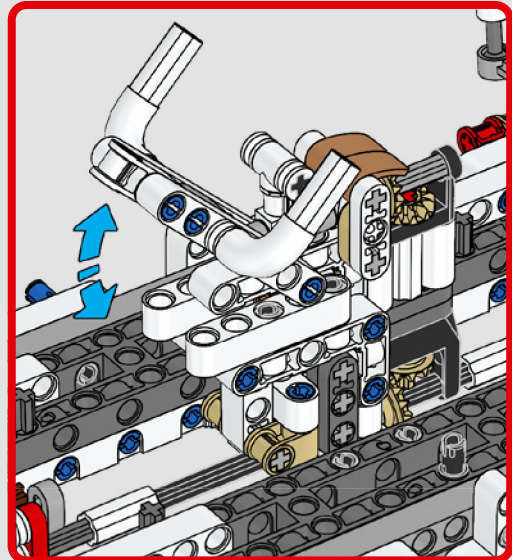
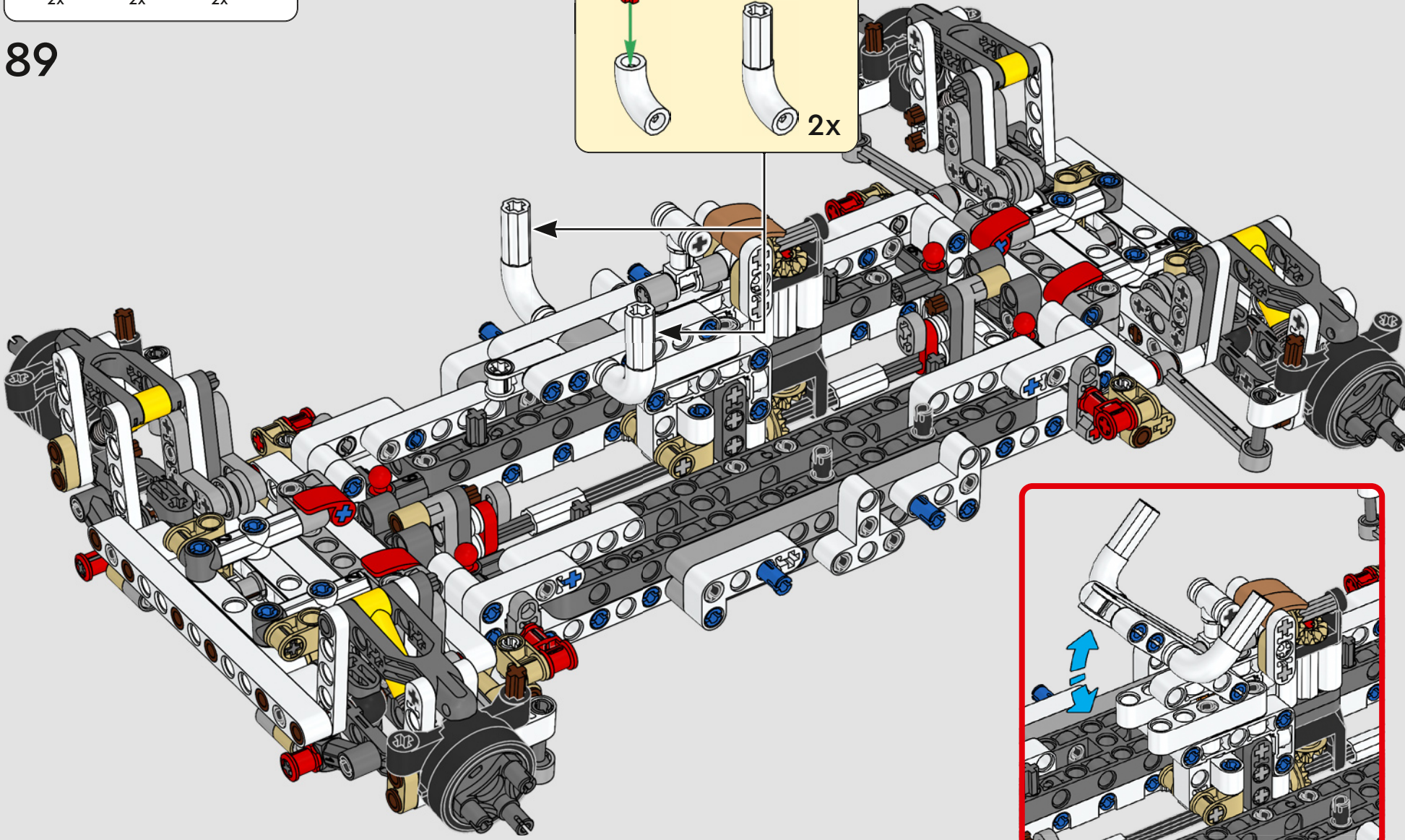
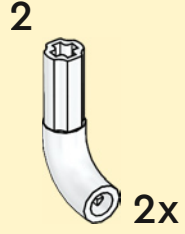
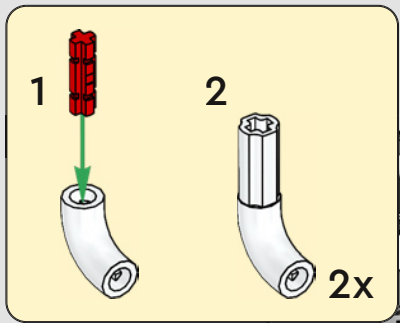
2x

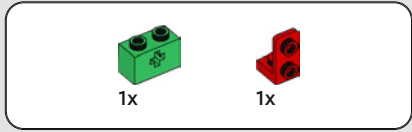
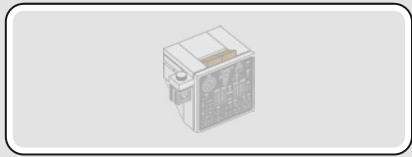




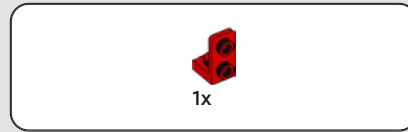
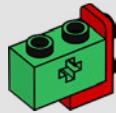


89

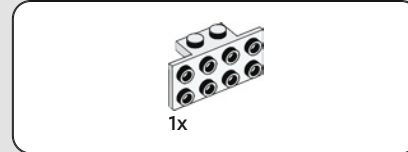
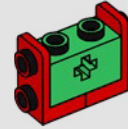




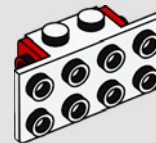
90

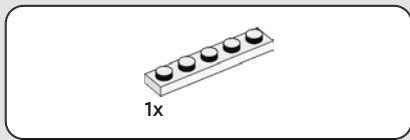


91

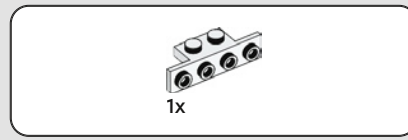
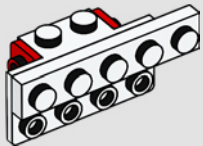


92

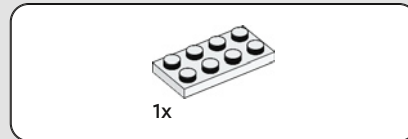
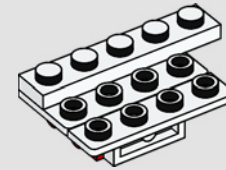




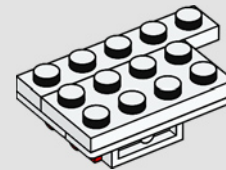
93

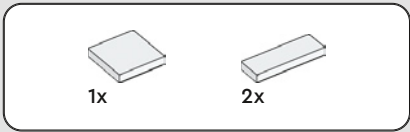


94

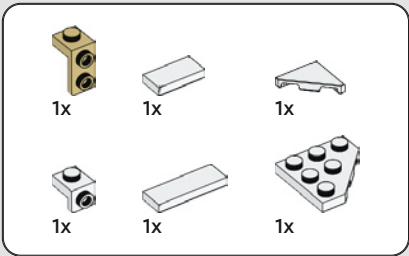
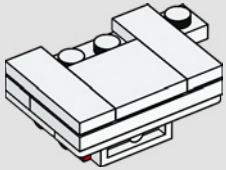


95

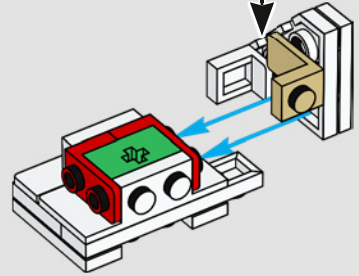
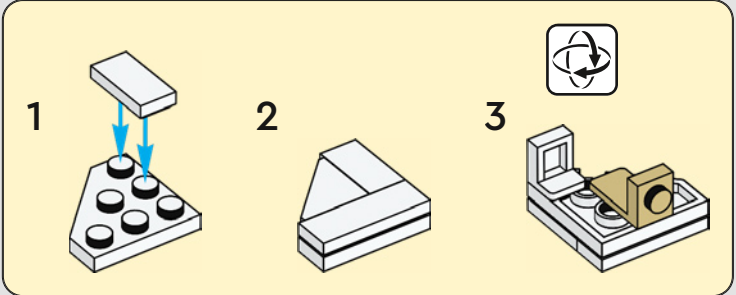




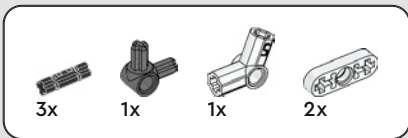
96



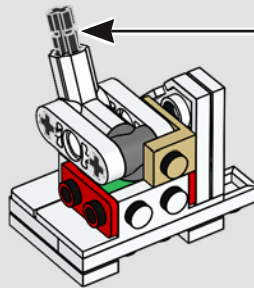
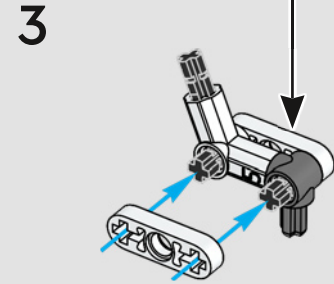
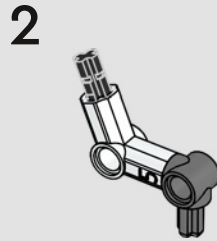
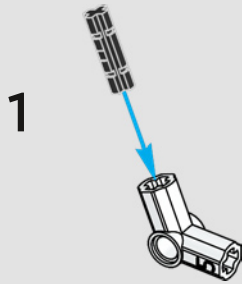
97

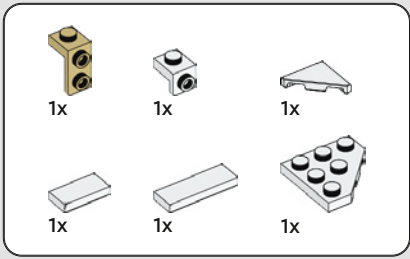




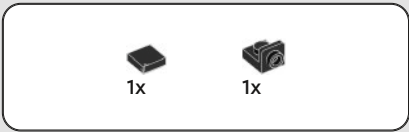
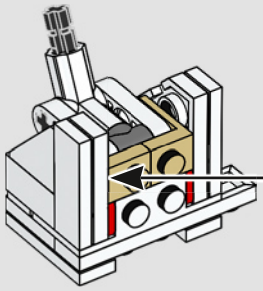
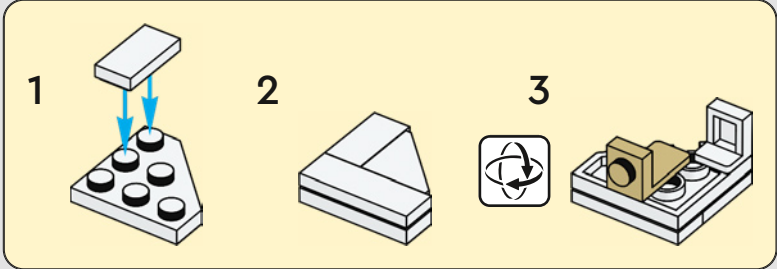


98

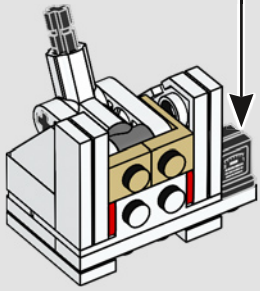
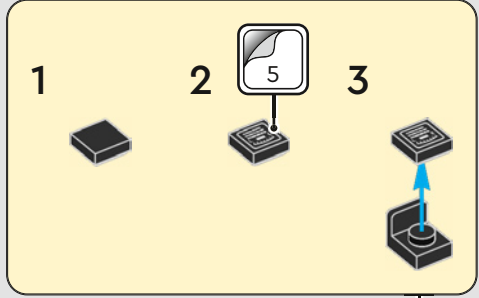


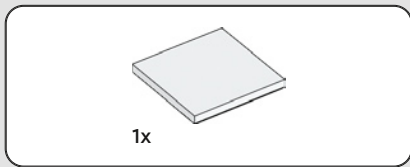


99

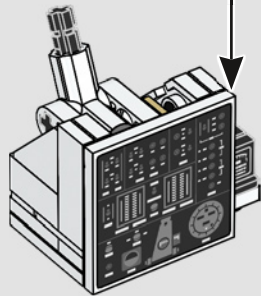
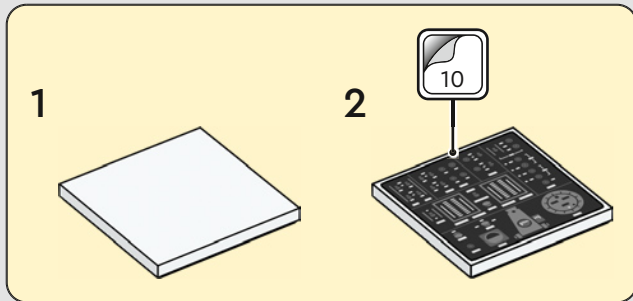


100

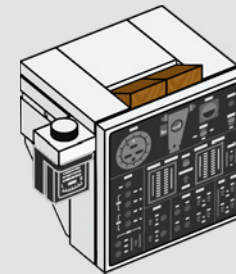
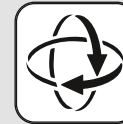




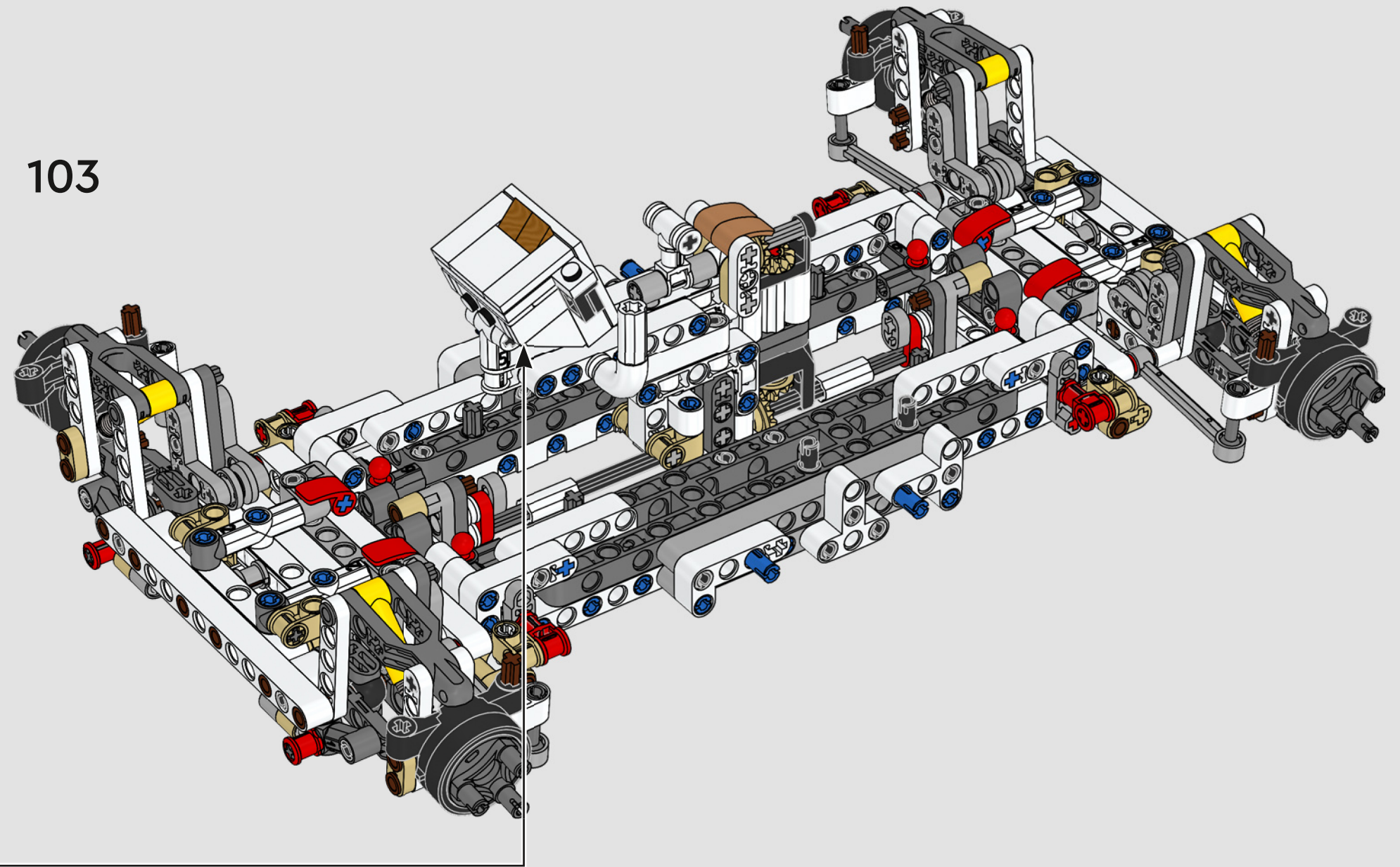
101



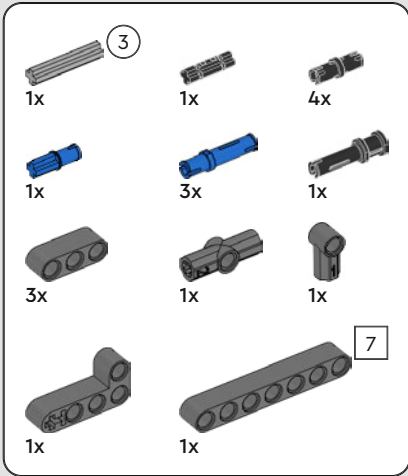
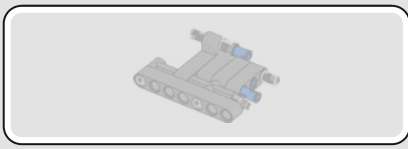
102



103

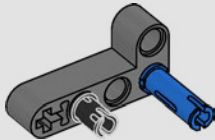




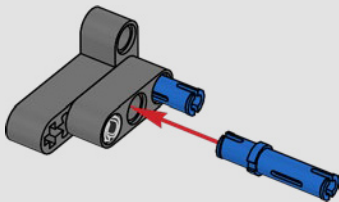


104

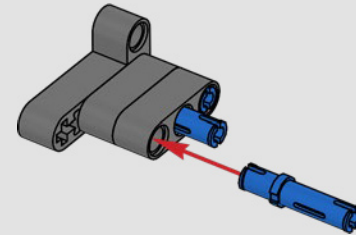
1



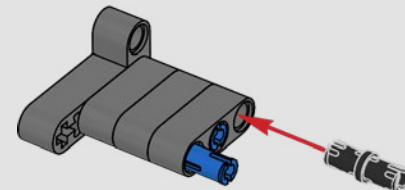
2

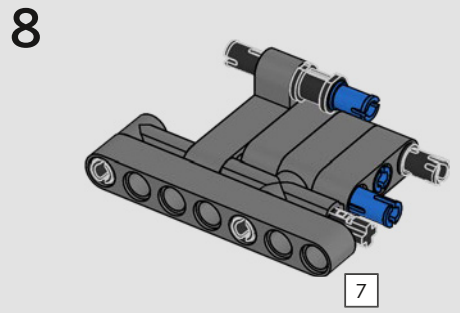
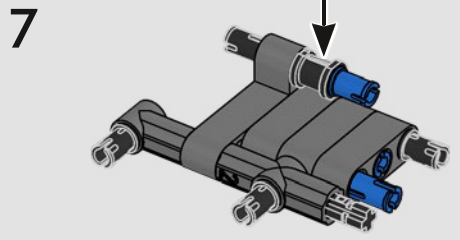
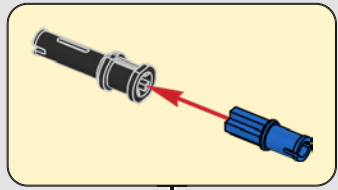
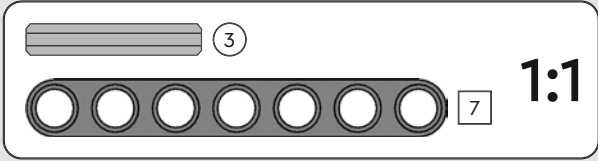
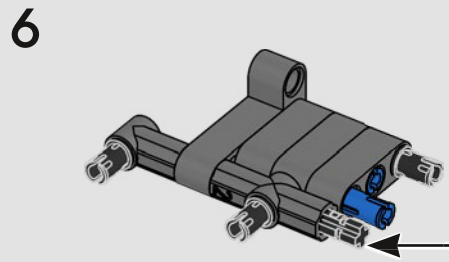
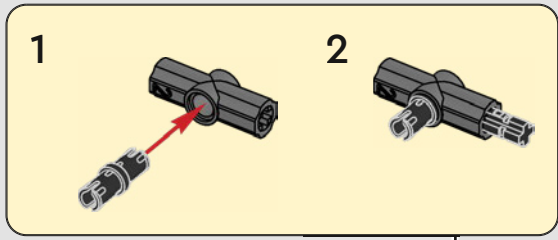
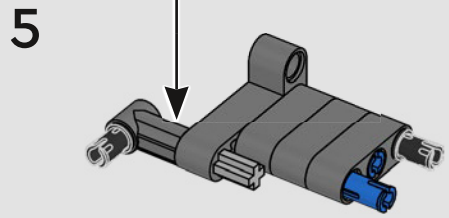
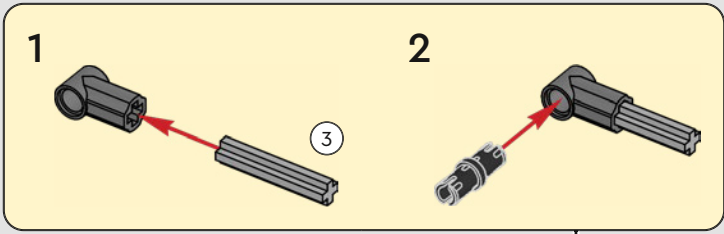


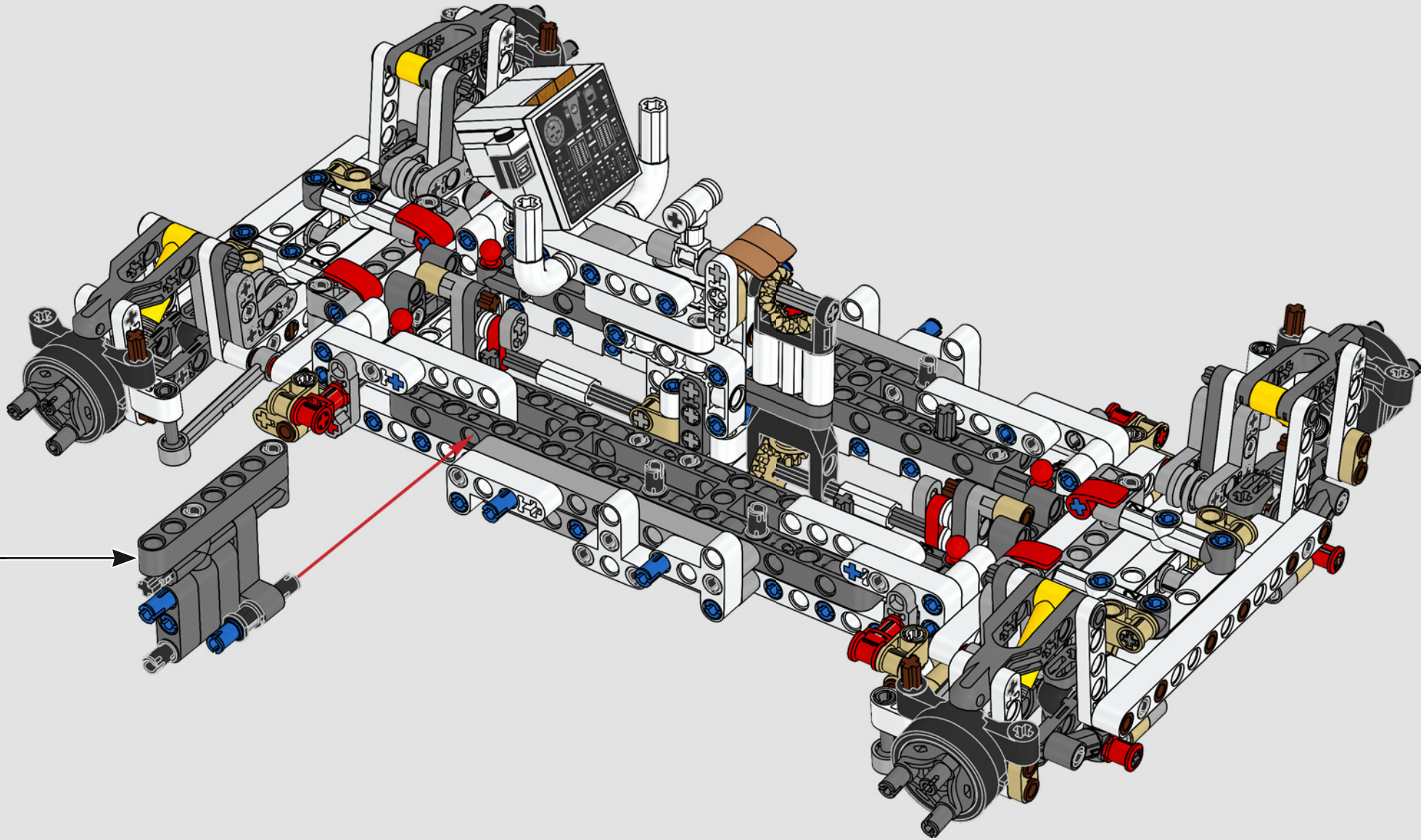
3



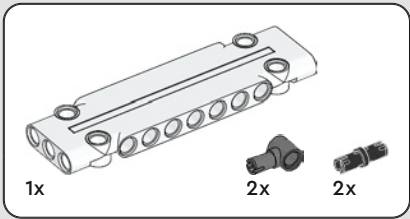
4



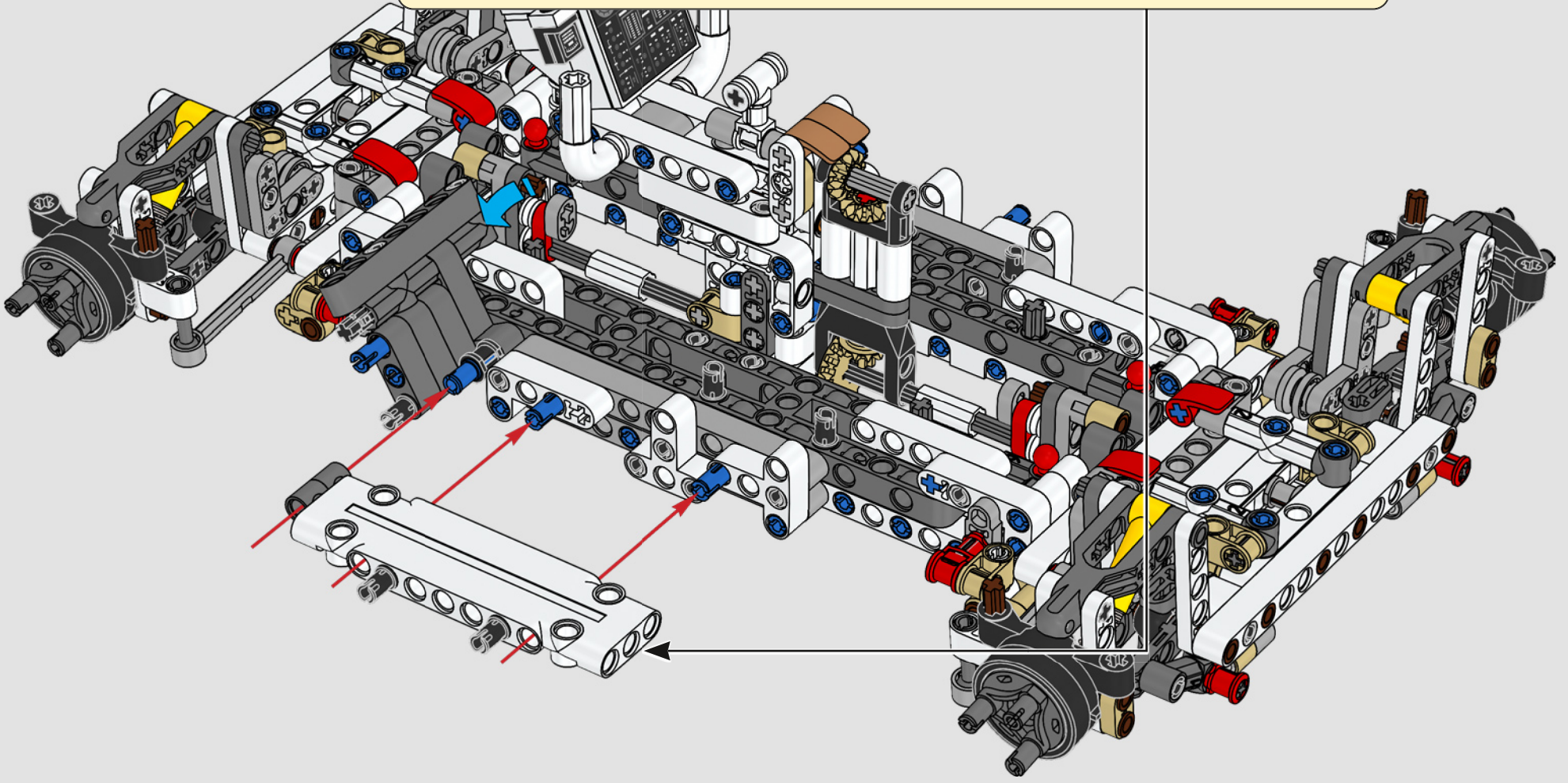
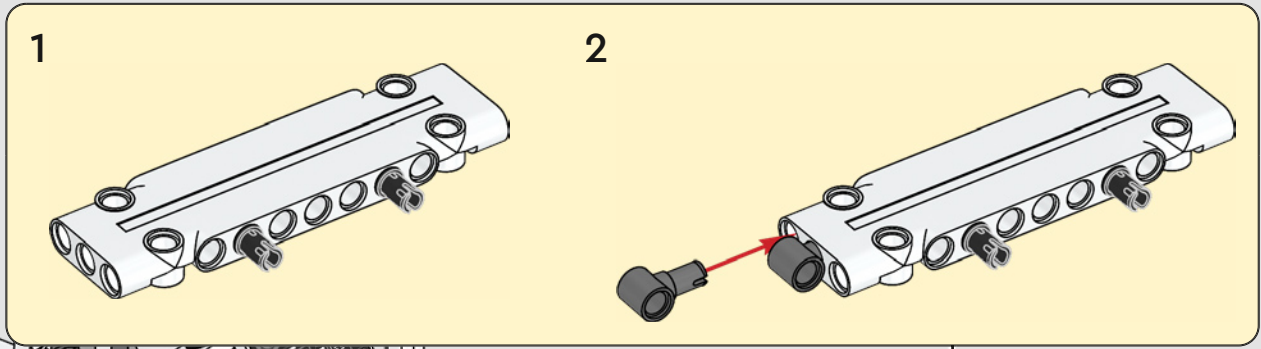




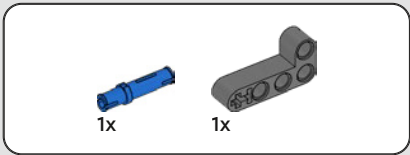




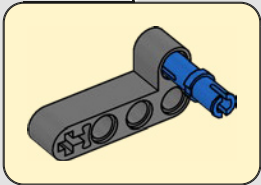
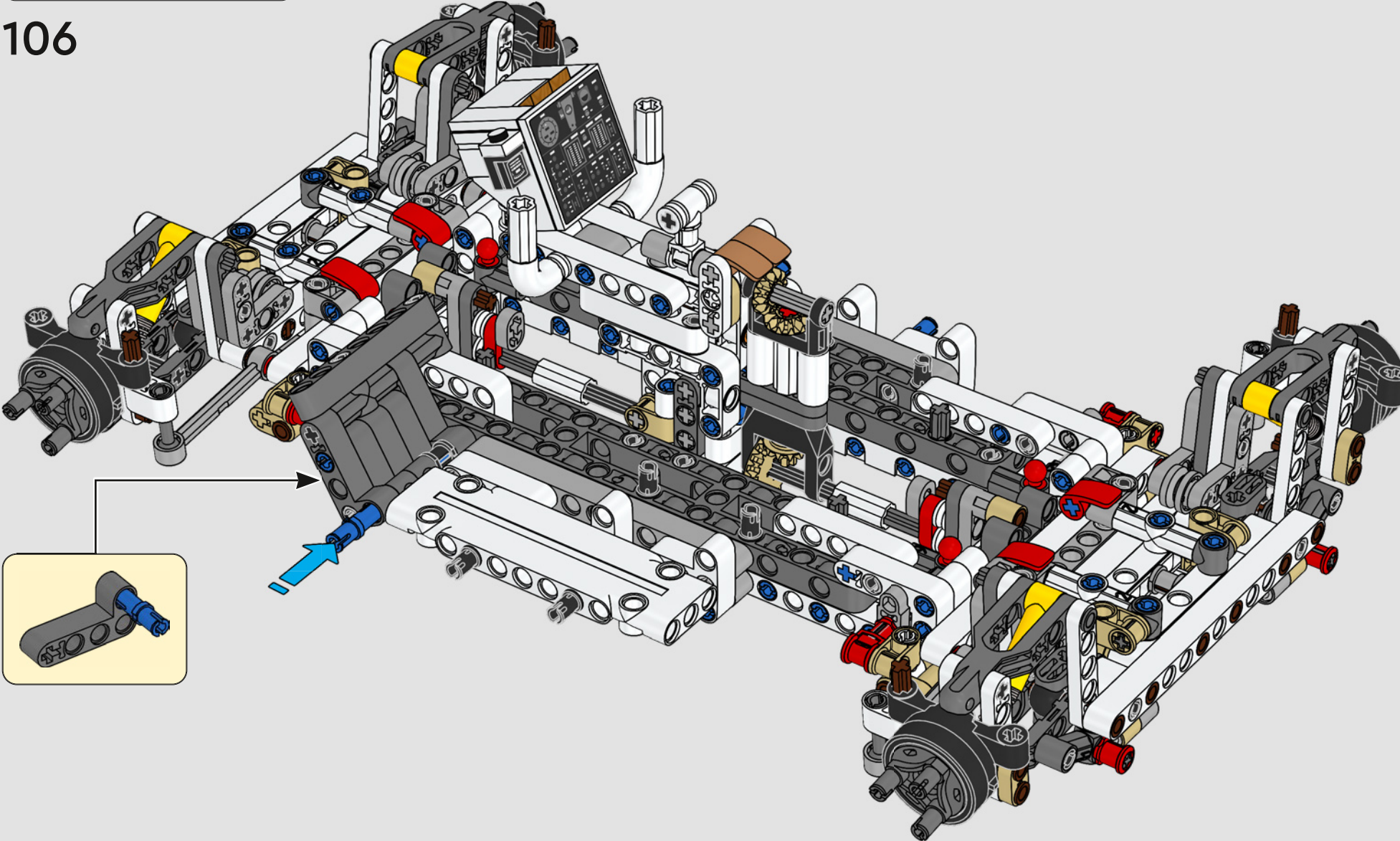
105

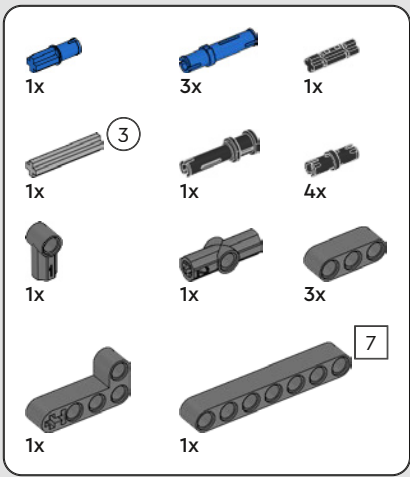






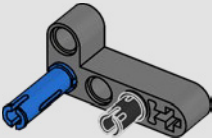
106



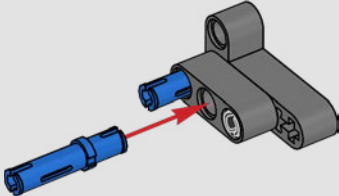


# 107

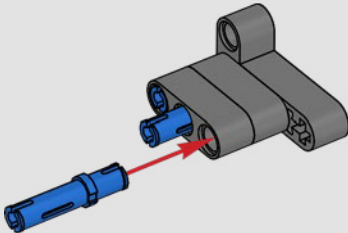
1



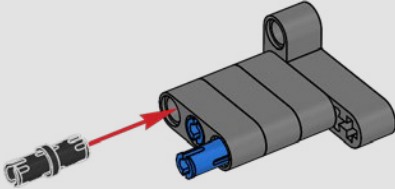
2

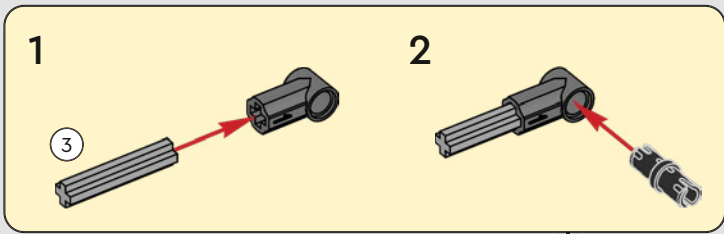


3

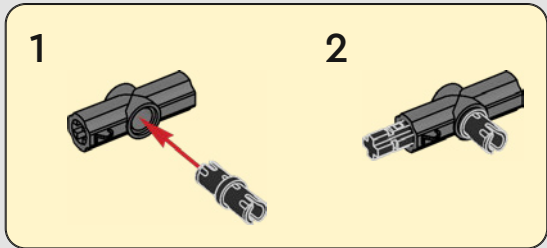
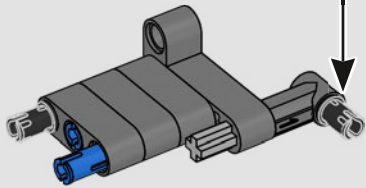


4

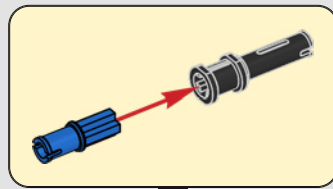
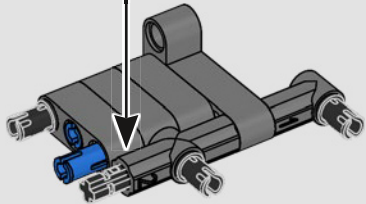




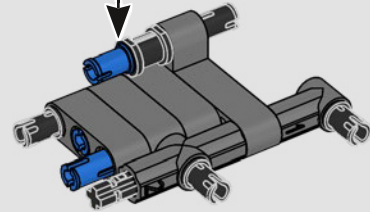
5



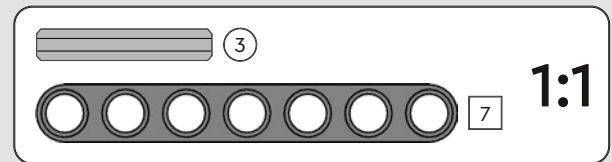
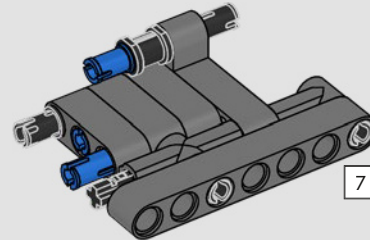
6



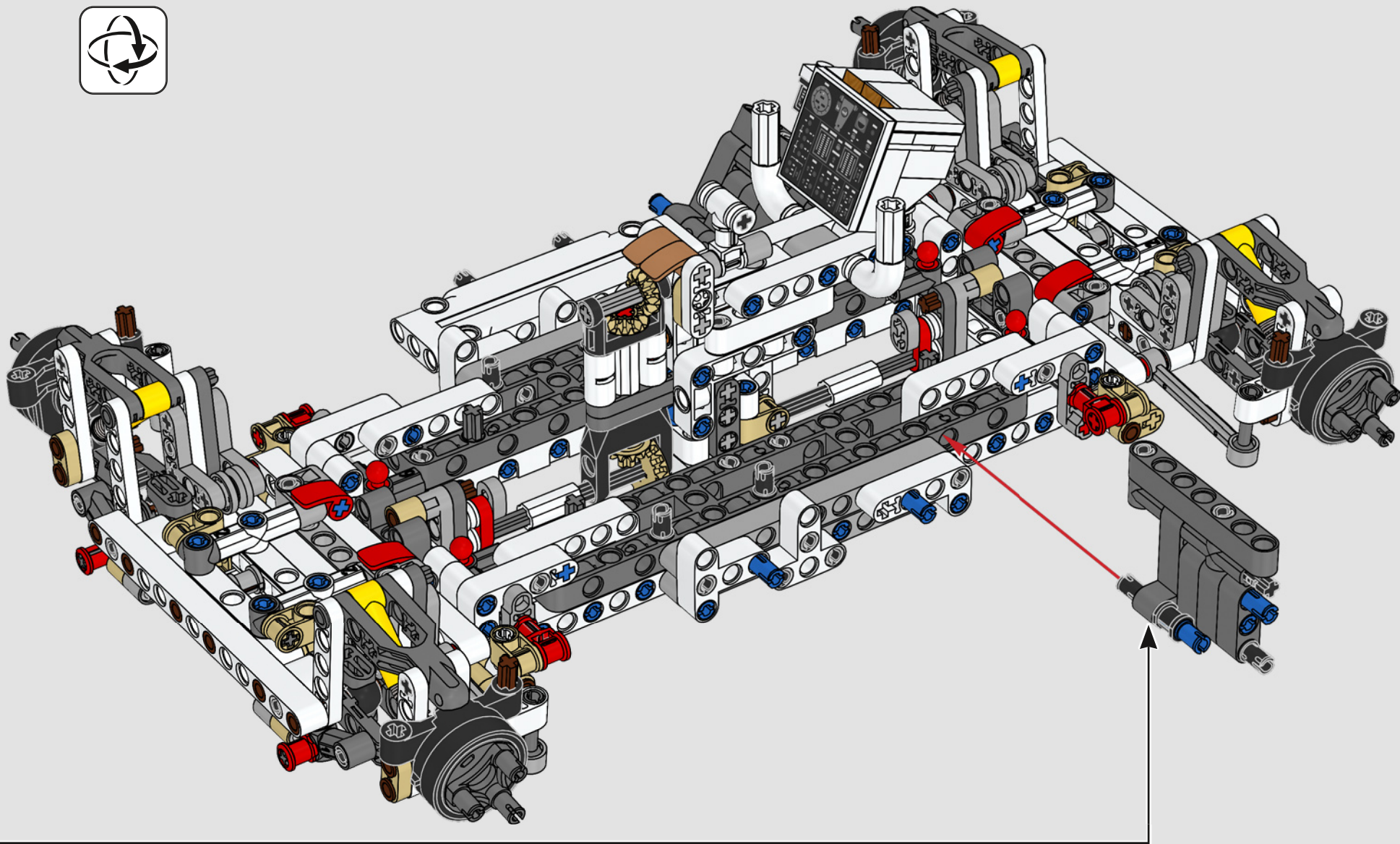
7



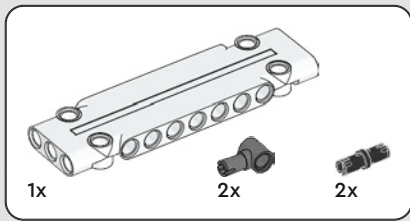
8



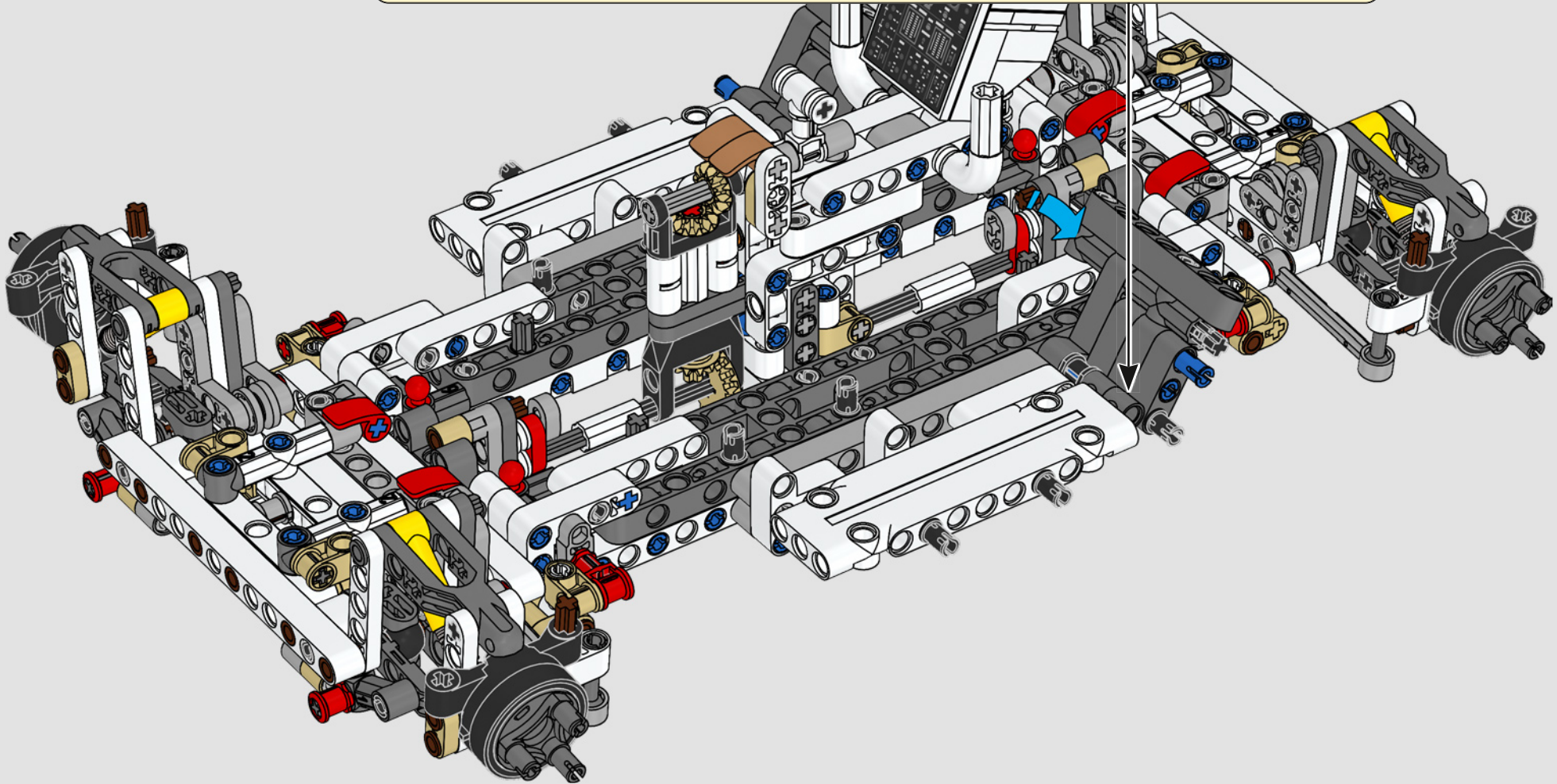
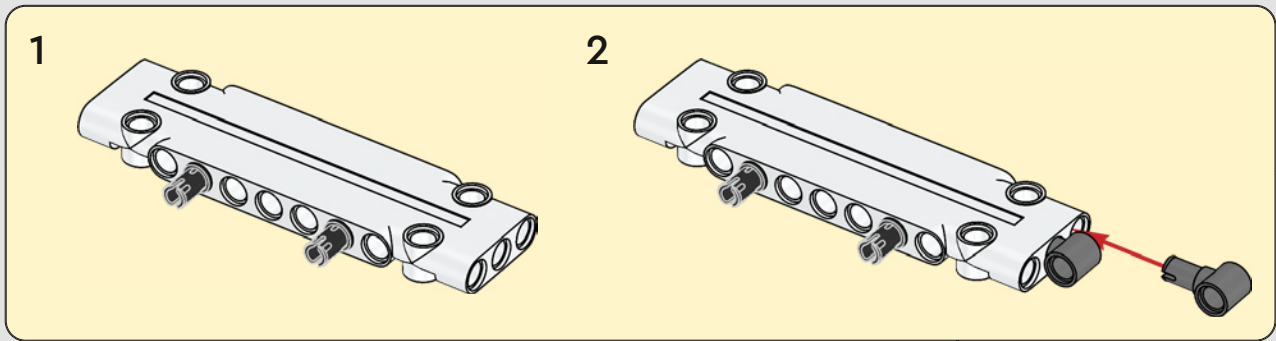


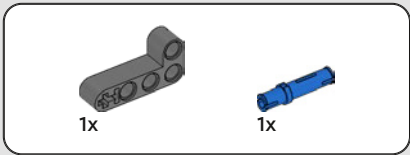




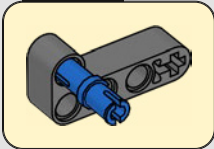
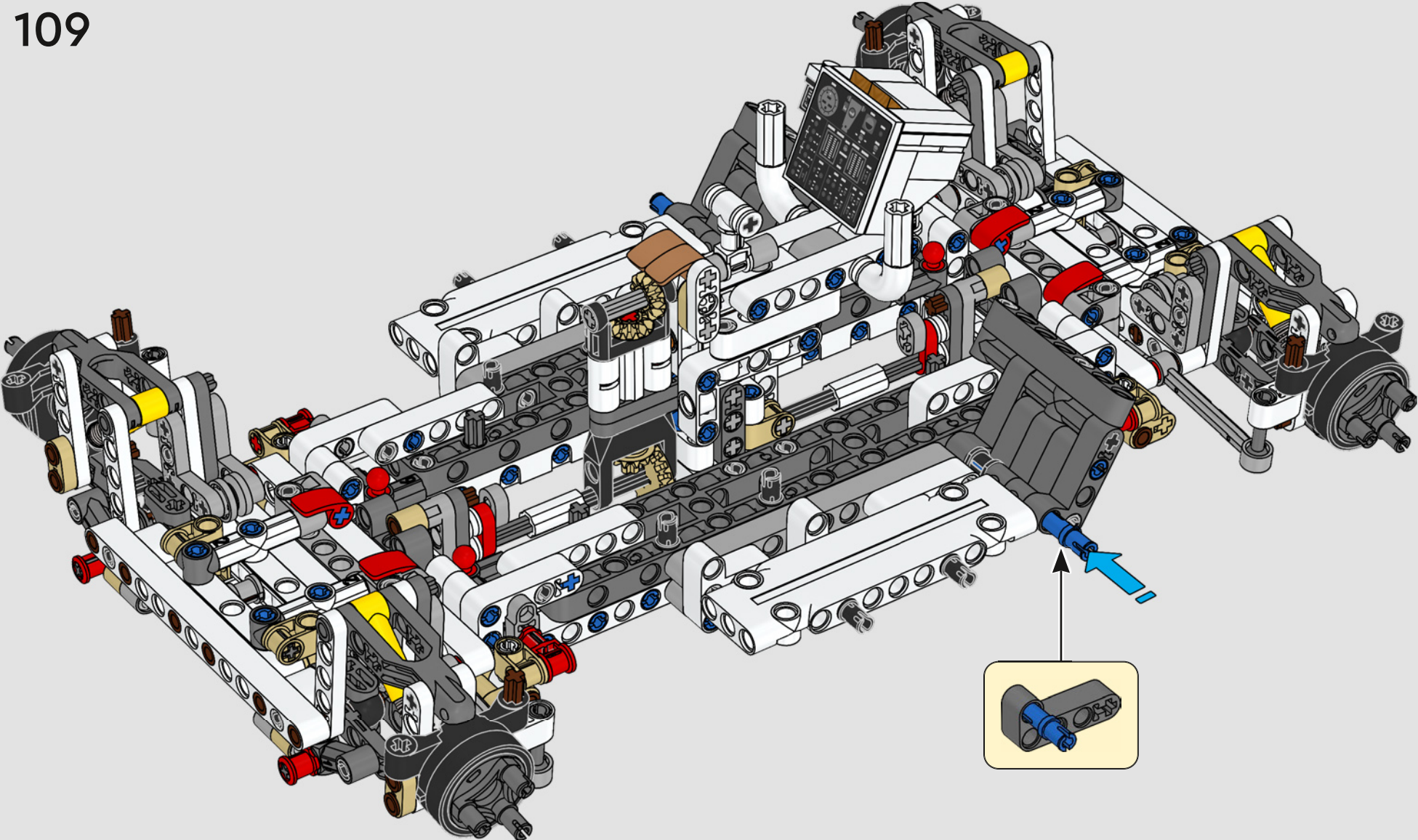


108

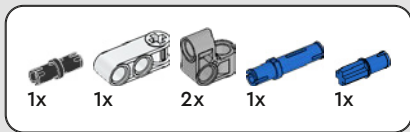




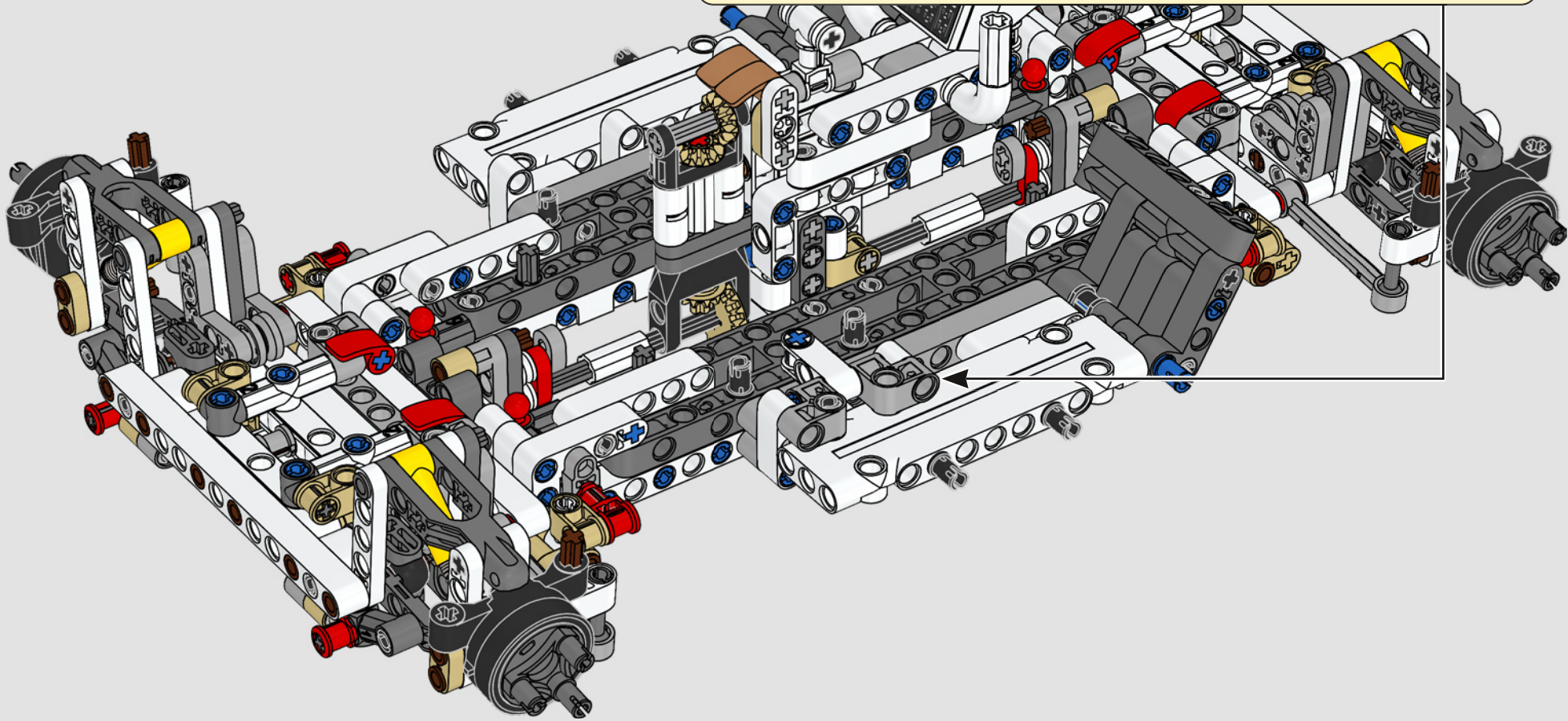
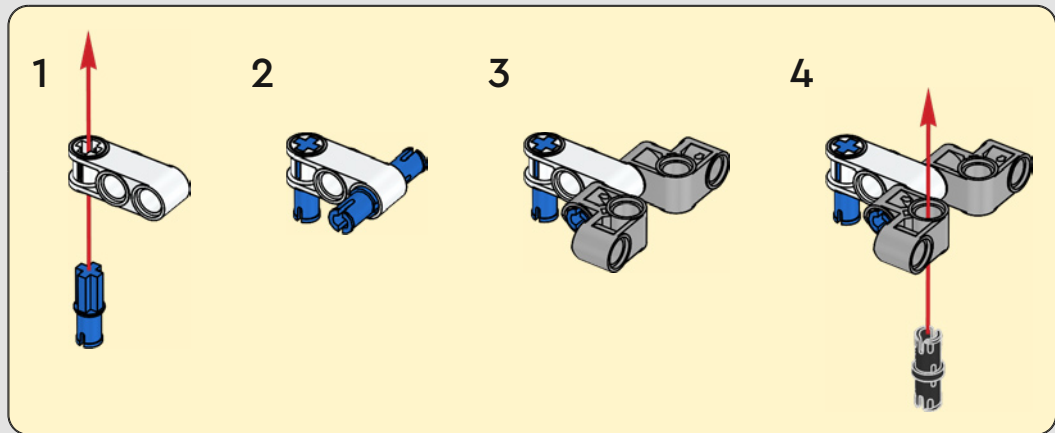
109

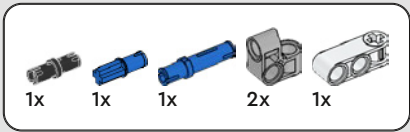




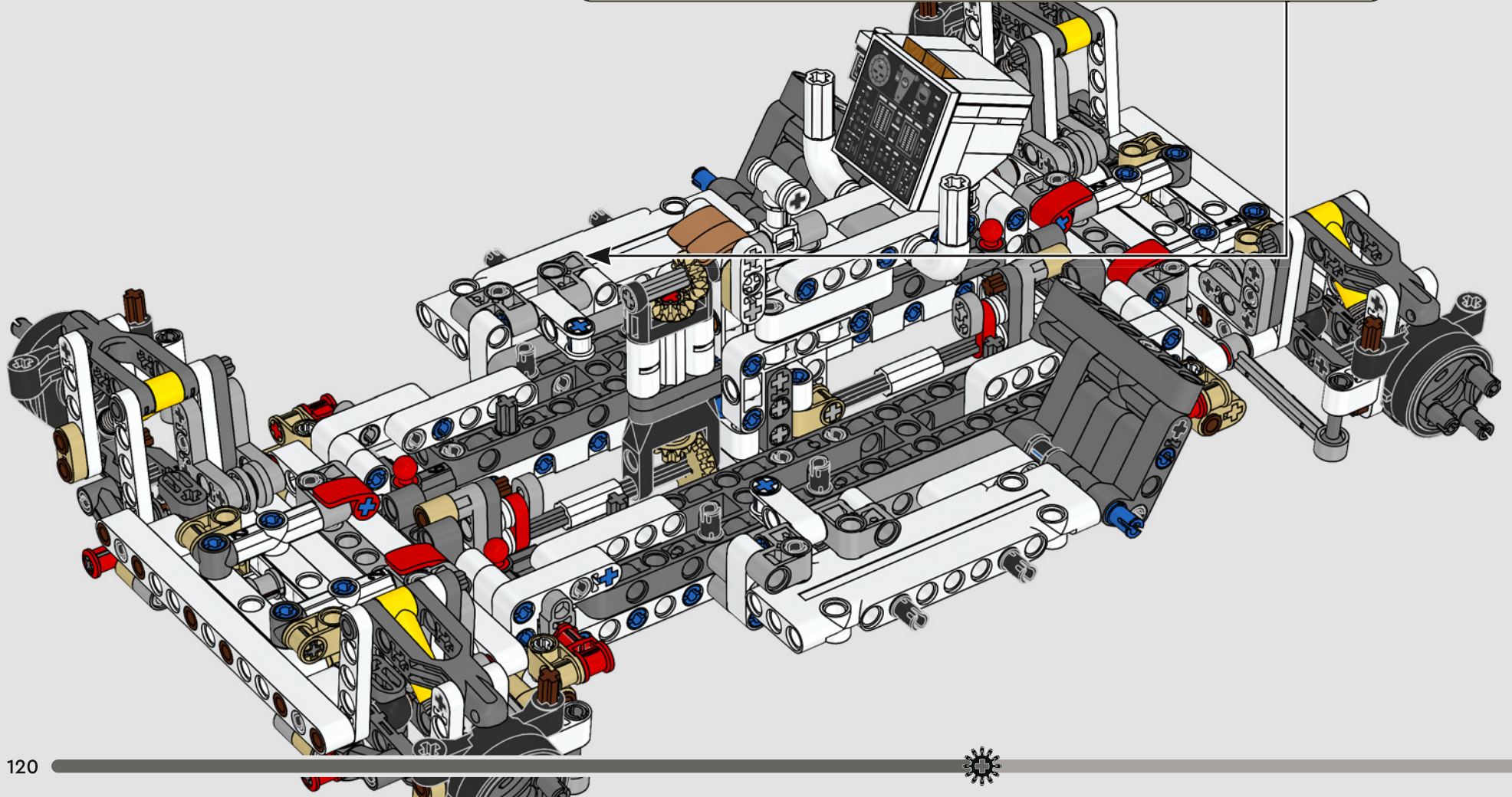
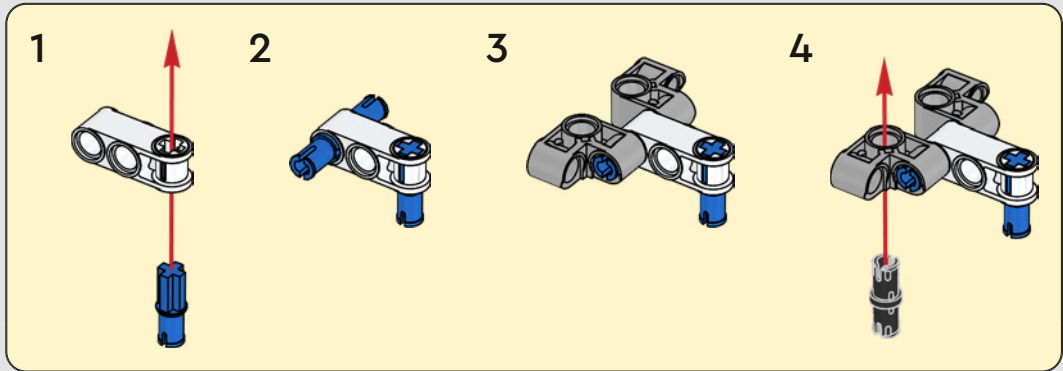


110

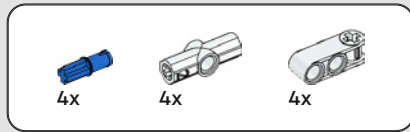




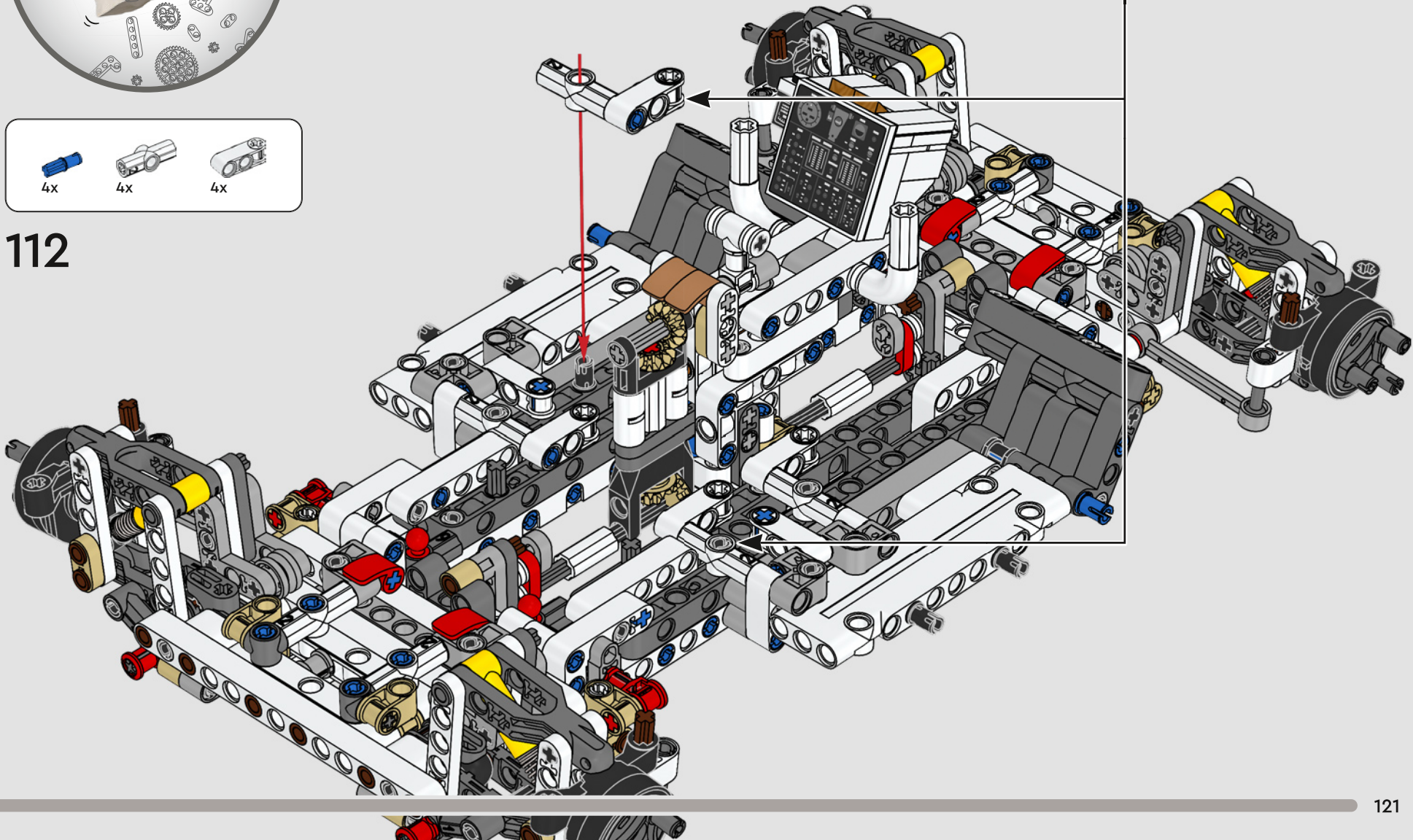
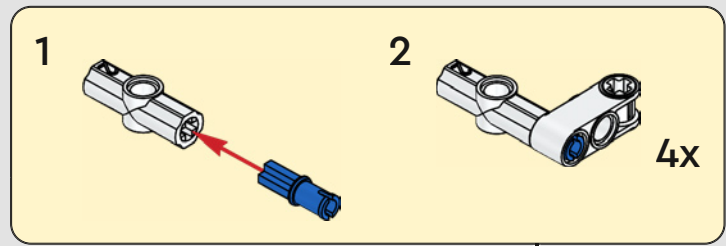
111

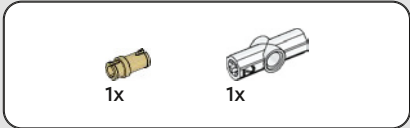
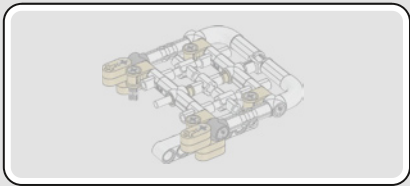




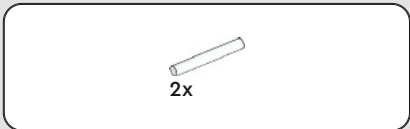
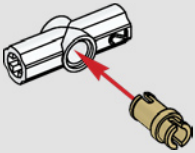


112

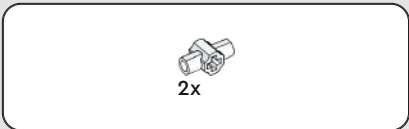
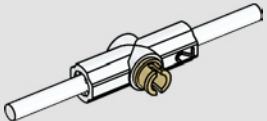




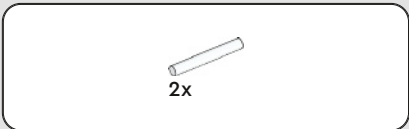
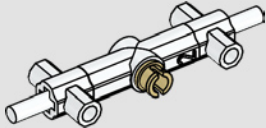
113



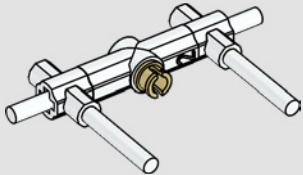
114

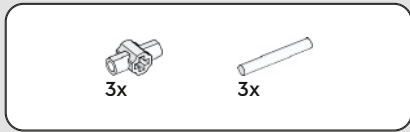


115

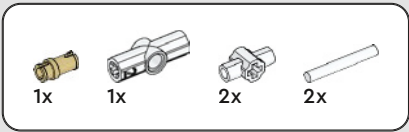
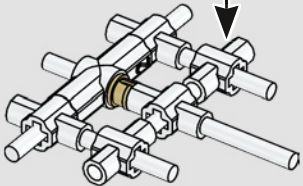
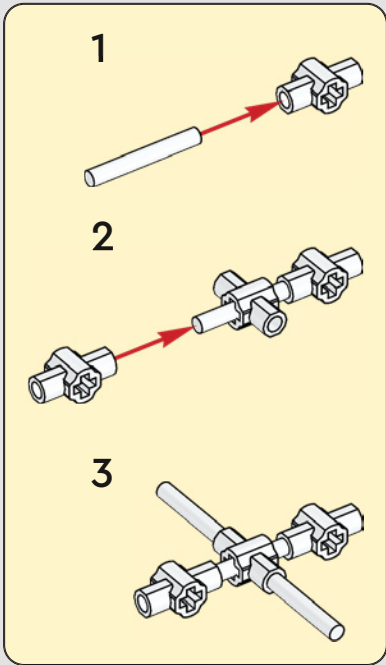


116

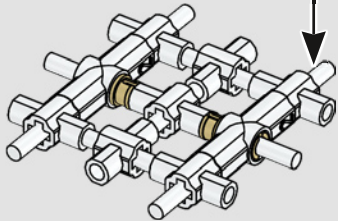
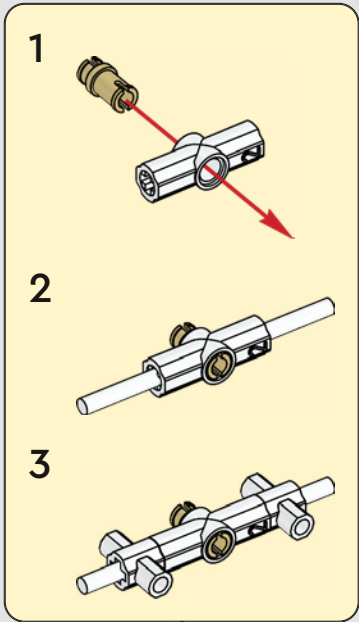


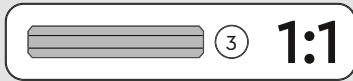
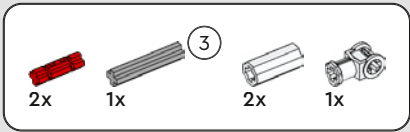


117

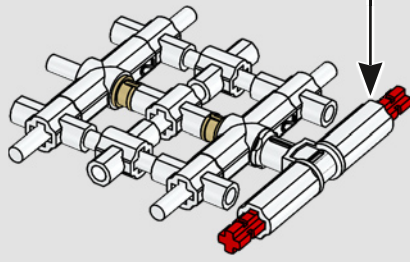
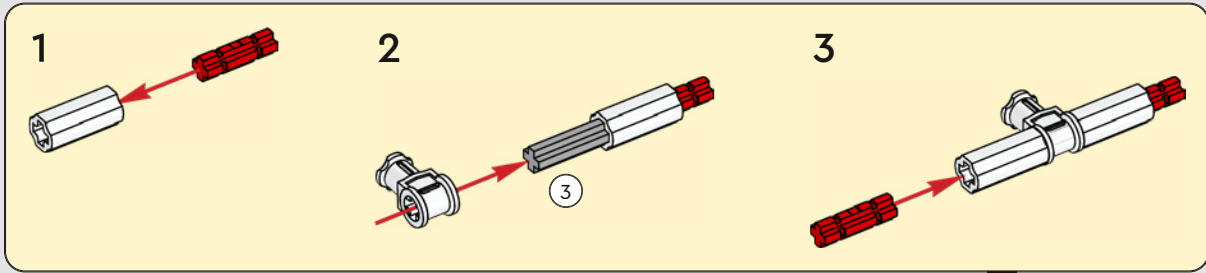


118

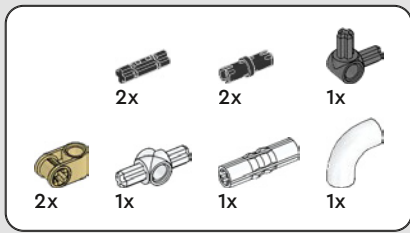




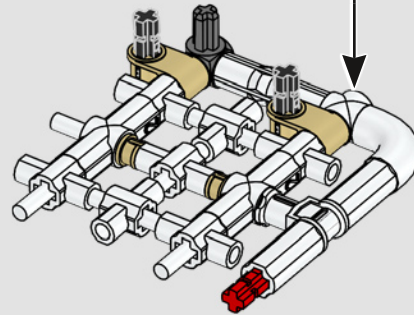
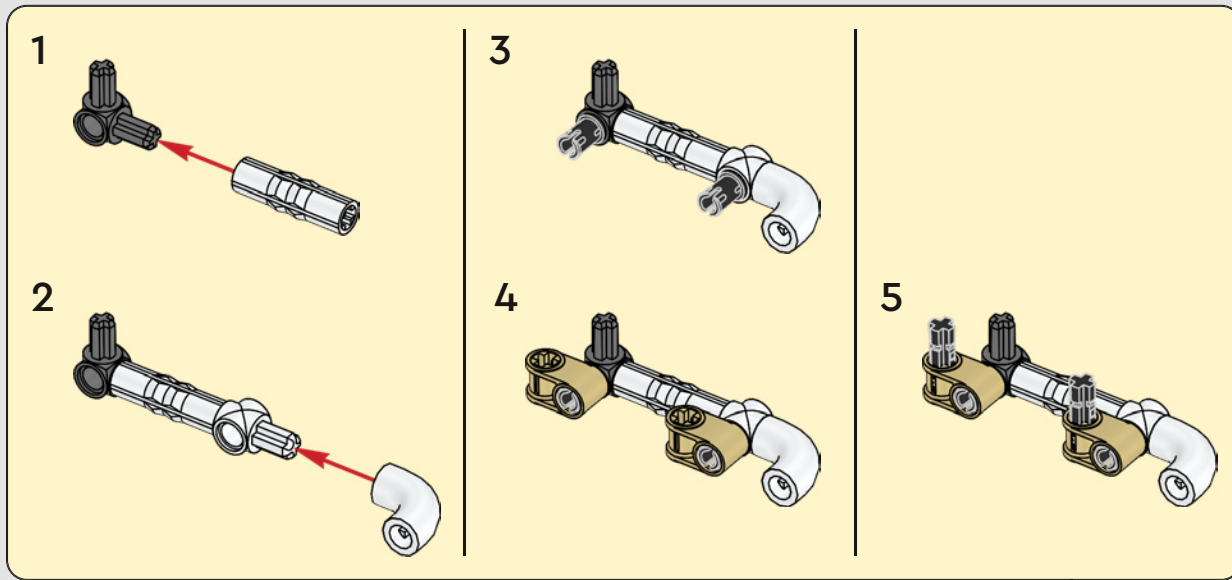
119

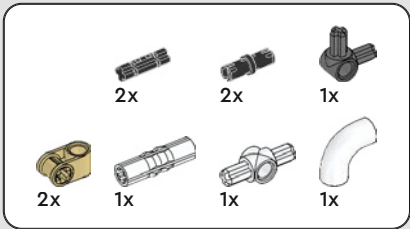




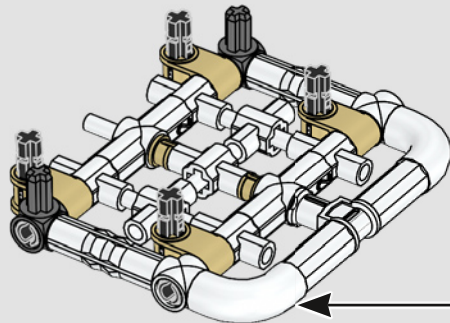
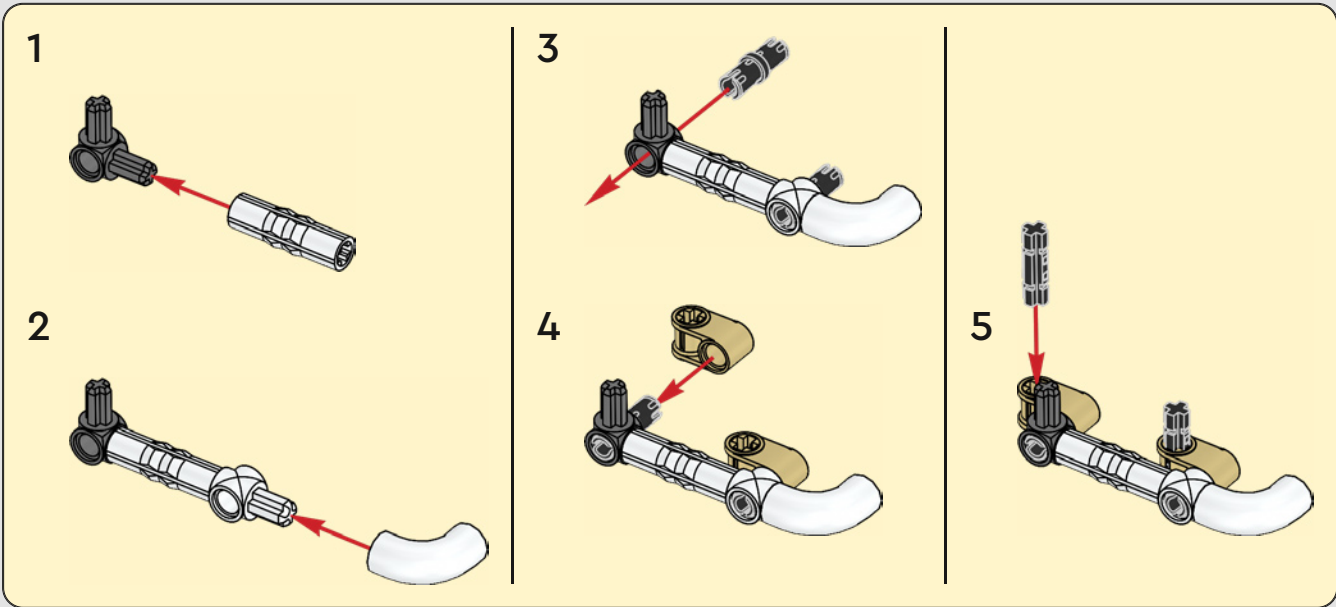


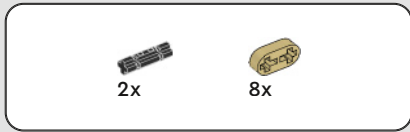
120



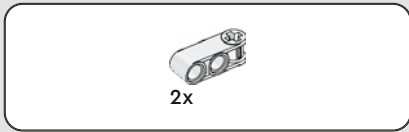
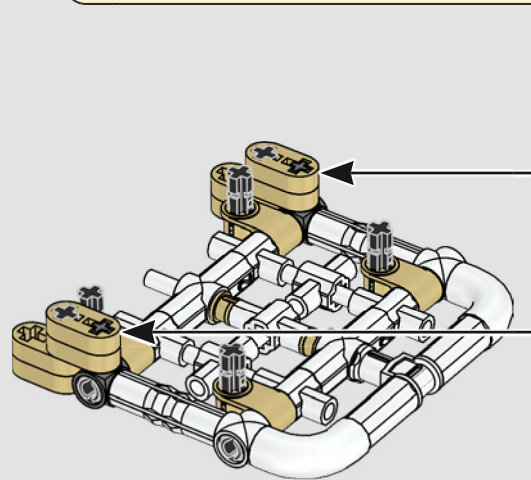
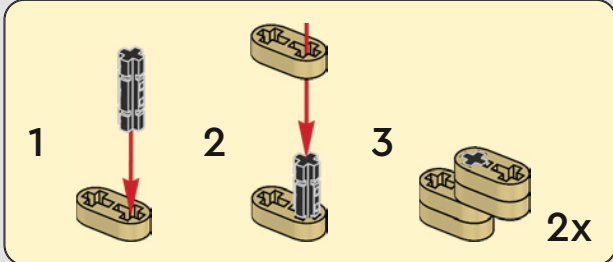


# 121

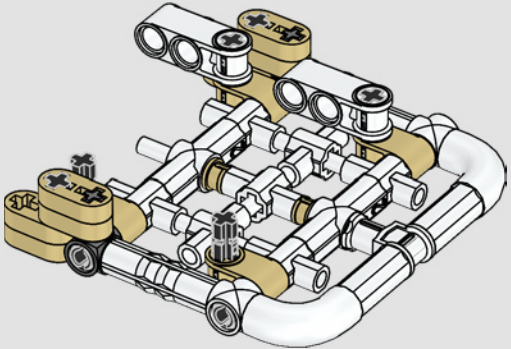




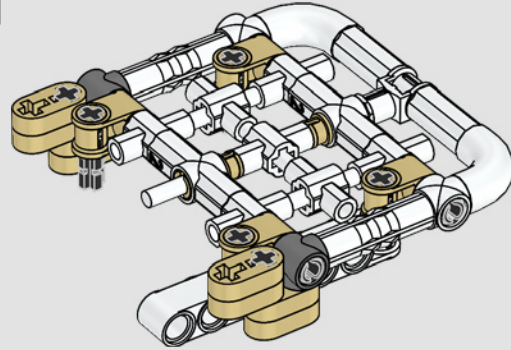
# 122



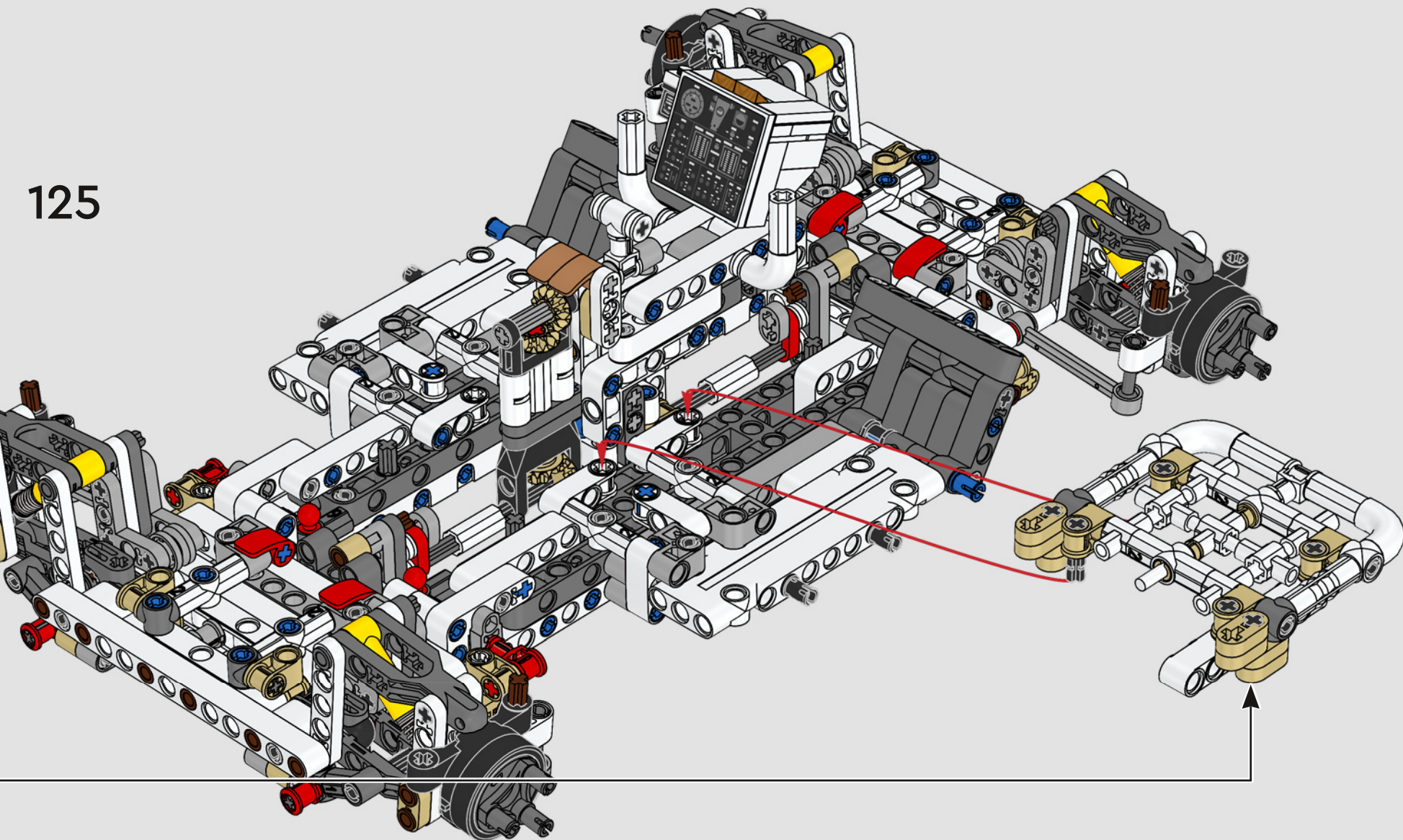
# 123



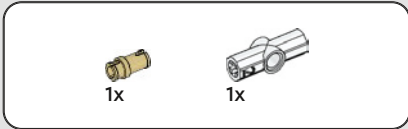
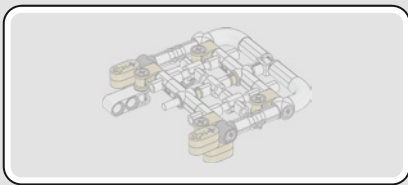
# 124



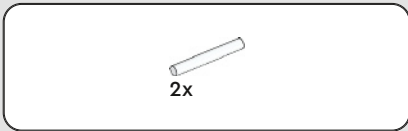
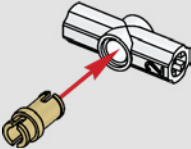
125



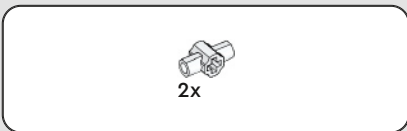
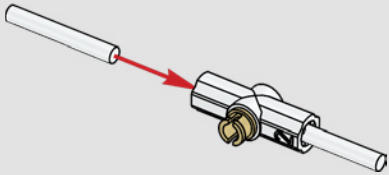




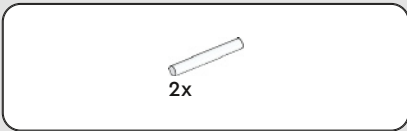
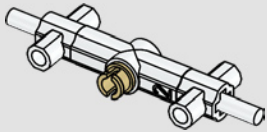
126



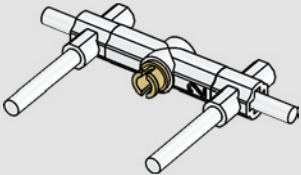
127

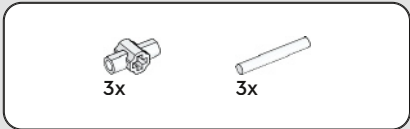


128

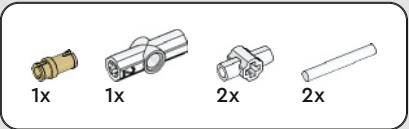
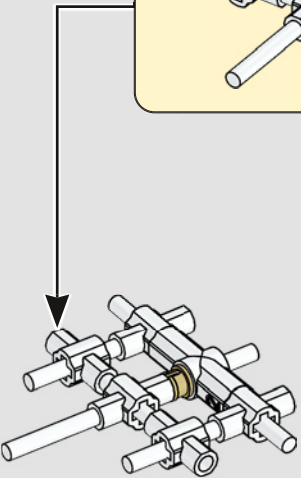
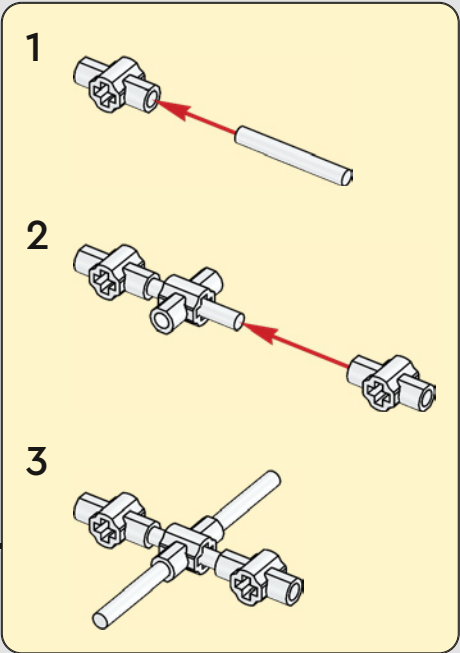


129

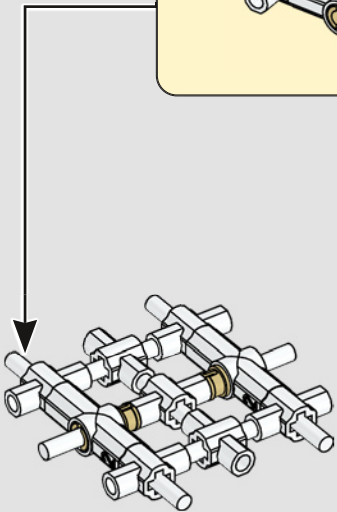
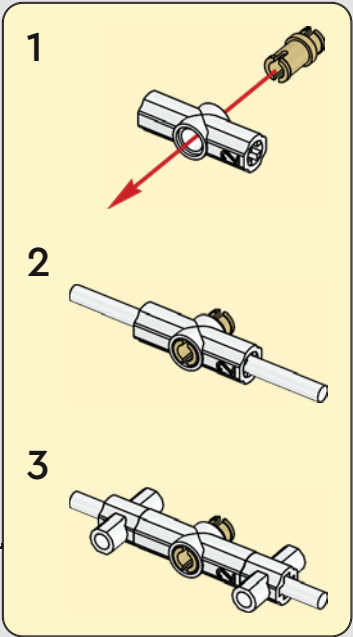


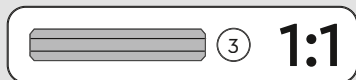
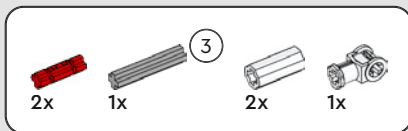


130

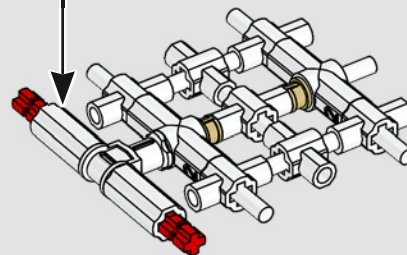
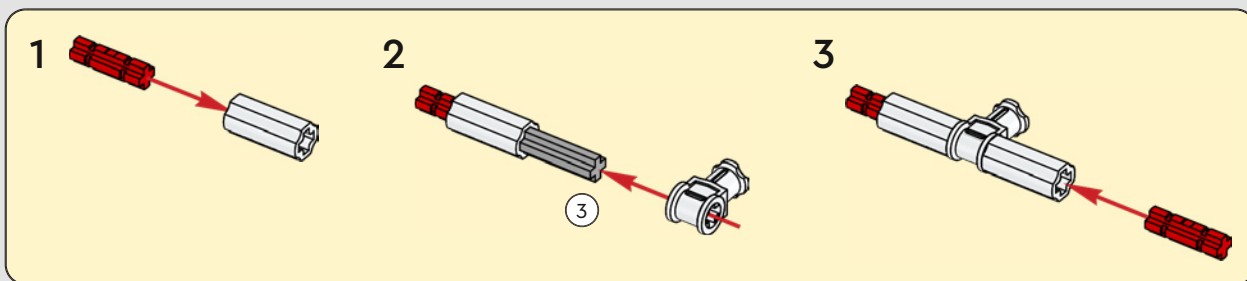


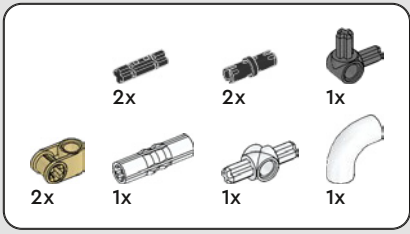
131



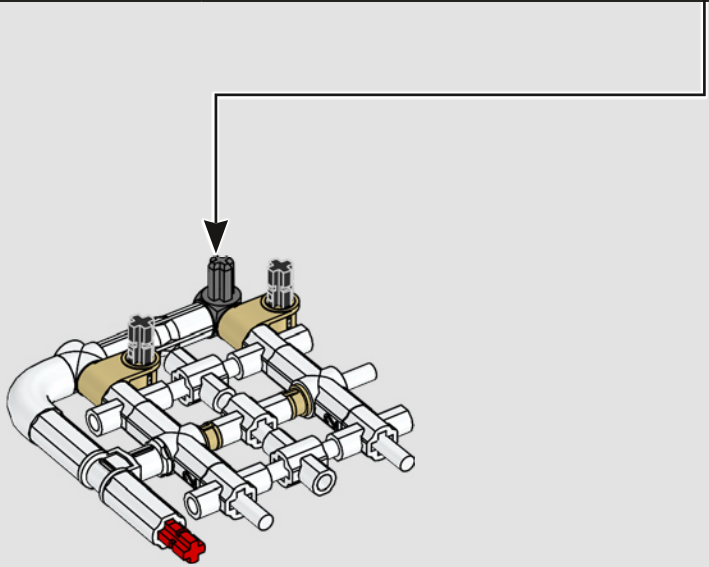
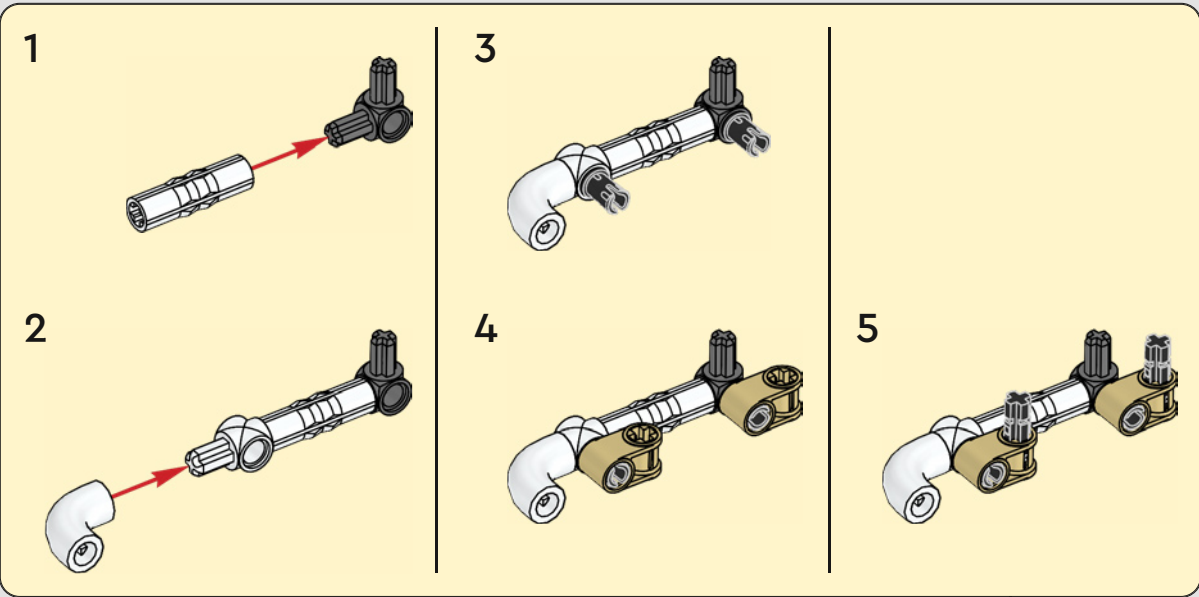


132

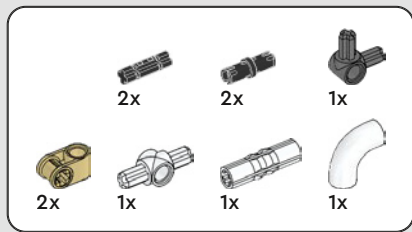




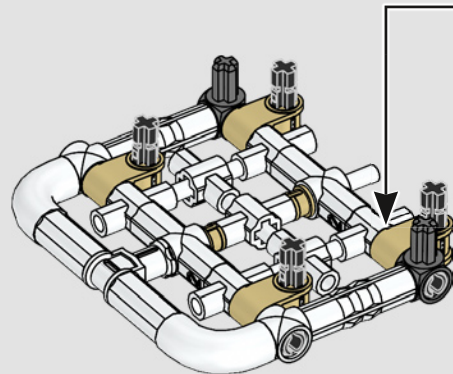
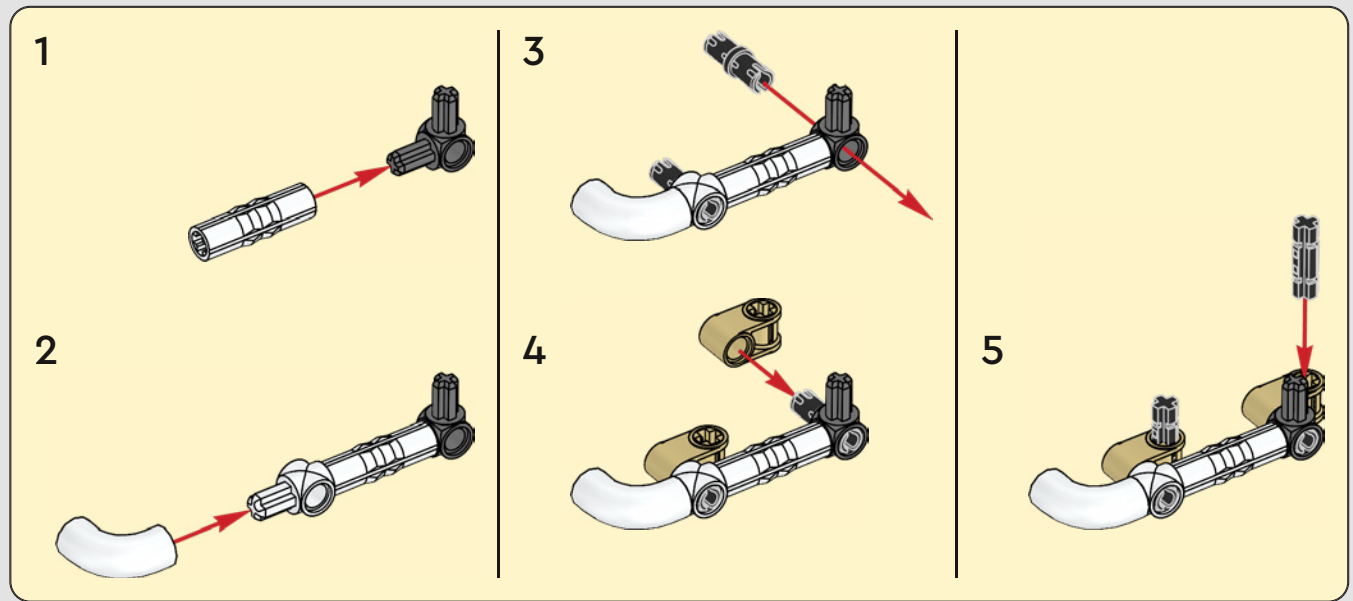
# 133

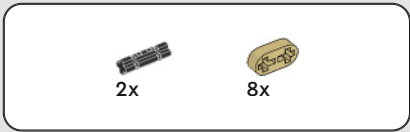




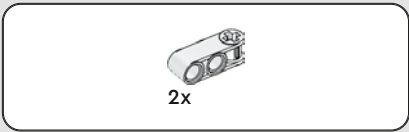
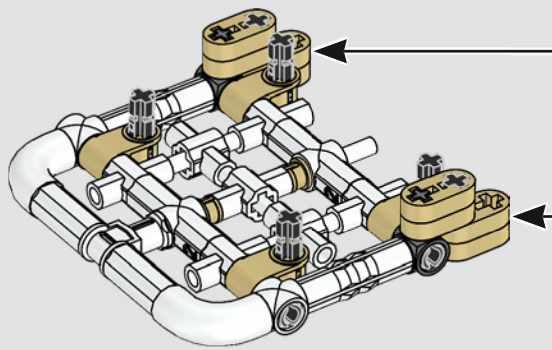
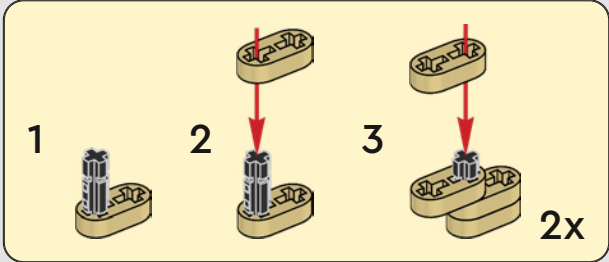


134

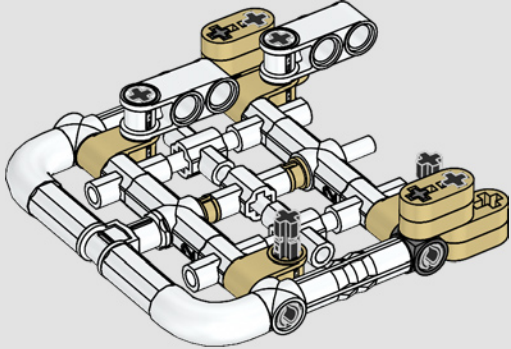




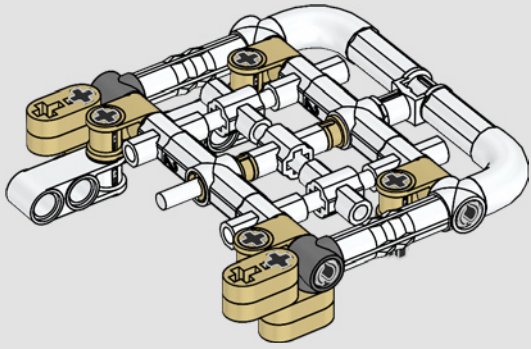
# 135



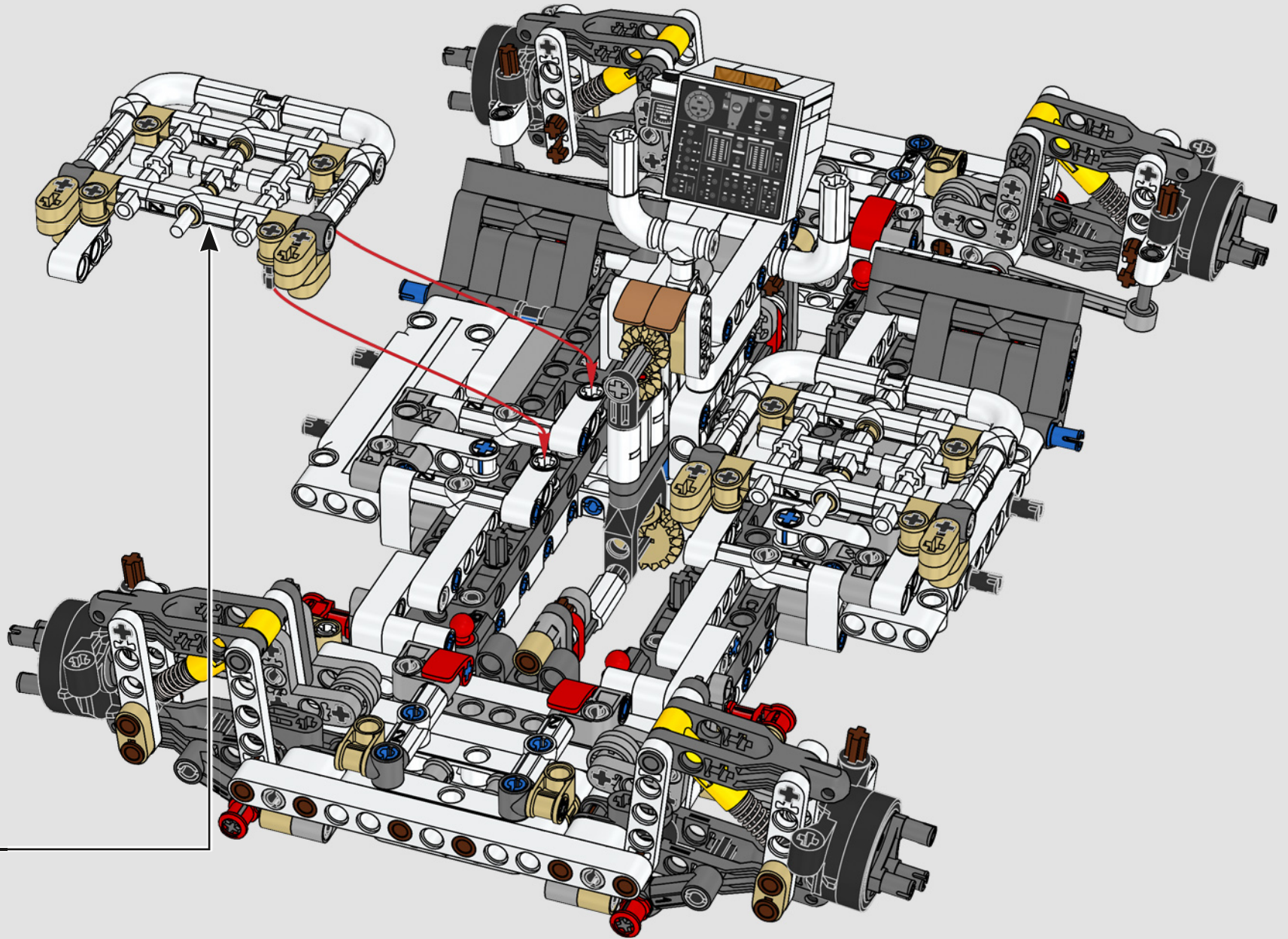
# 136

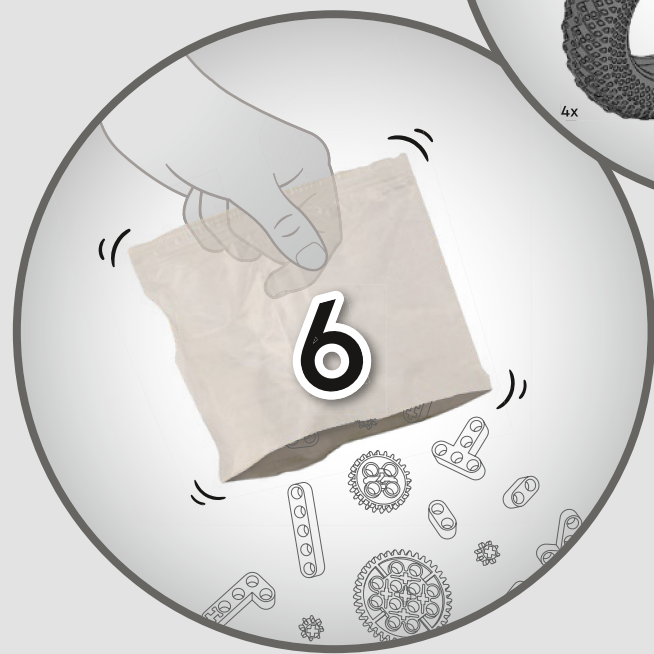
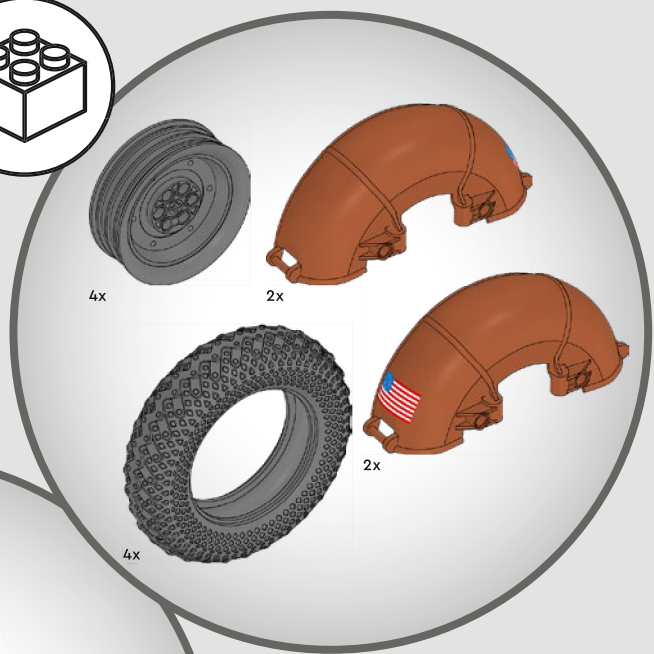
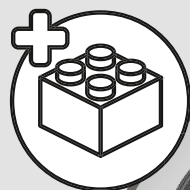


# 137

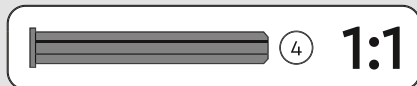
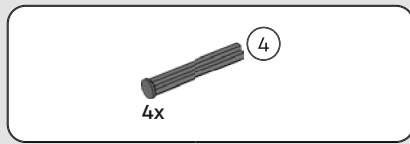


138

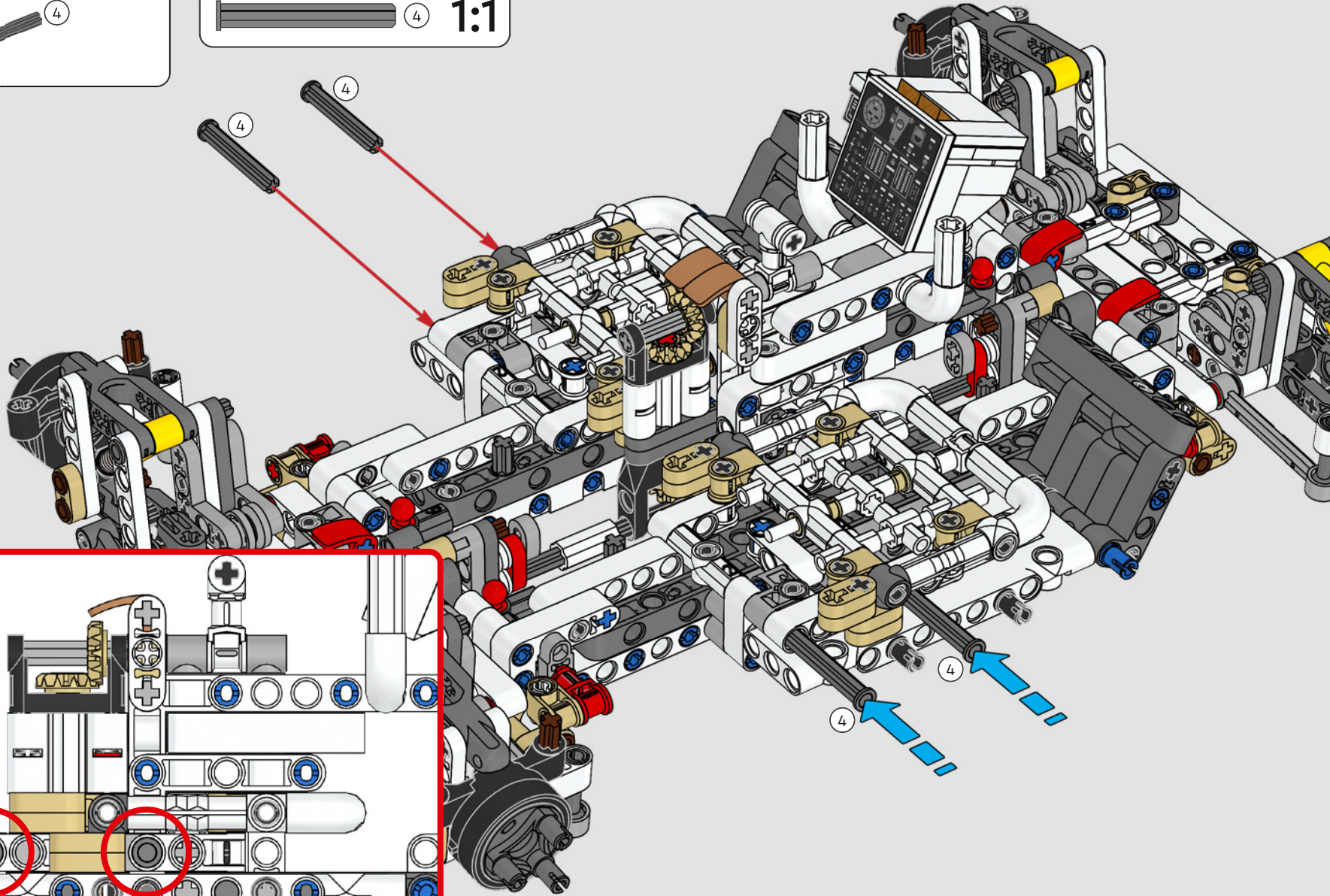
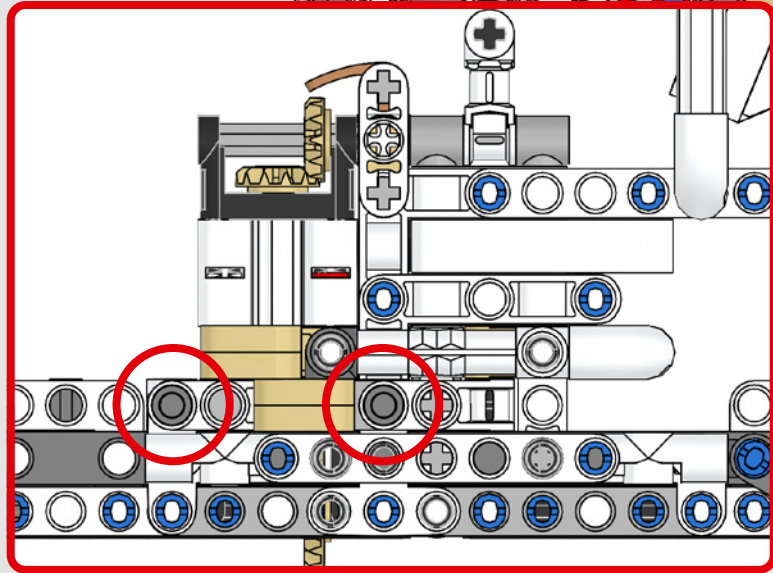




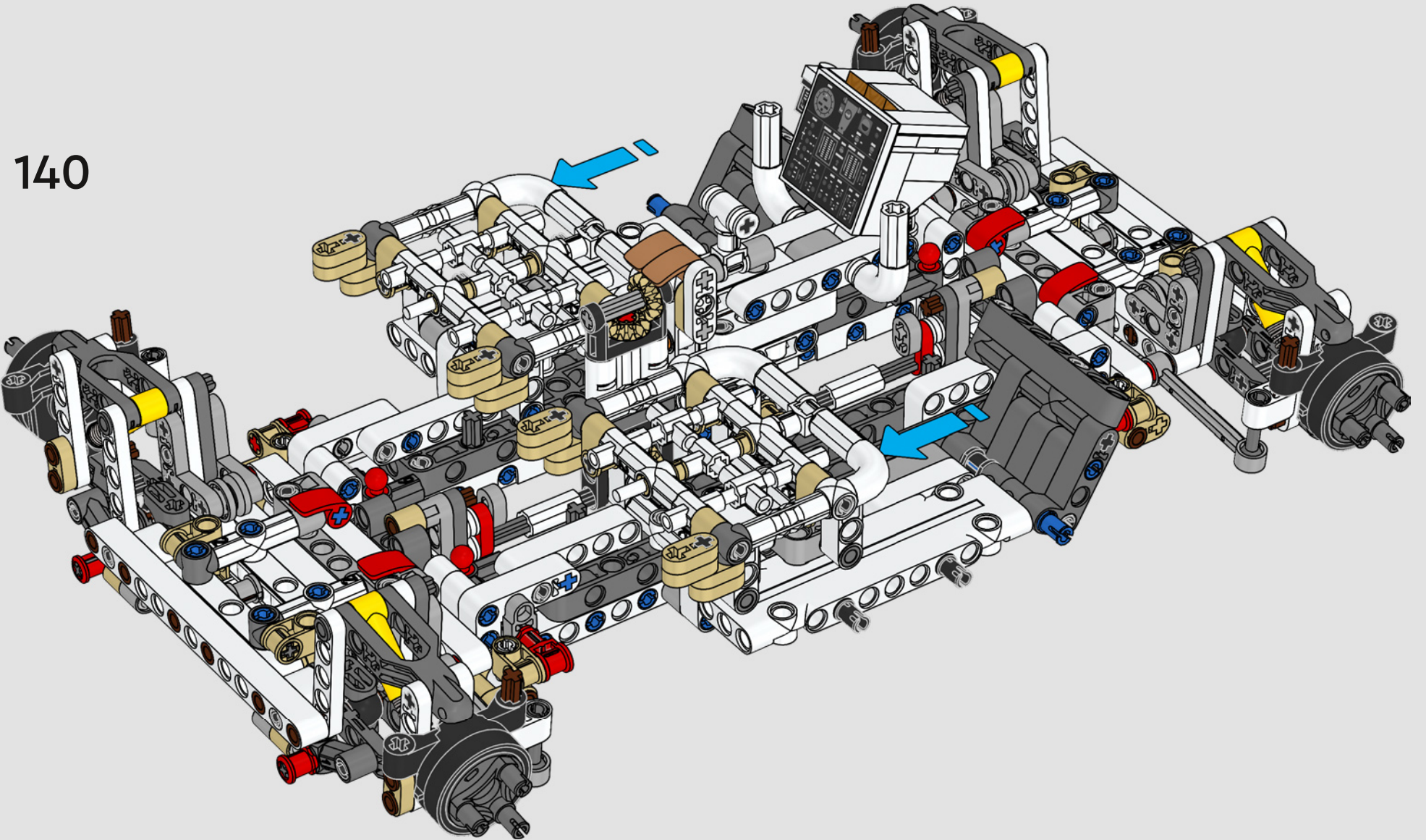




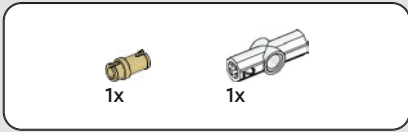
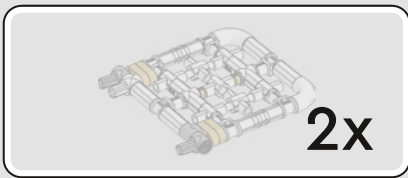
139



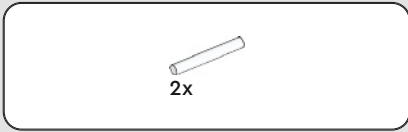
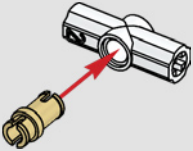
140



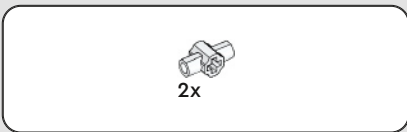
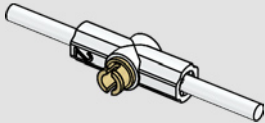




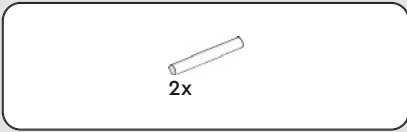
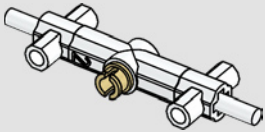
141



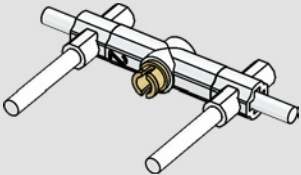
142



143



144





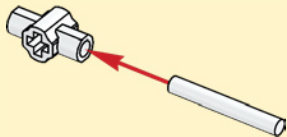
3x



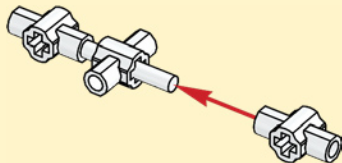
3x

# 145

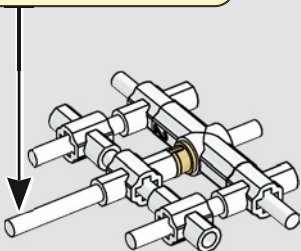
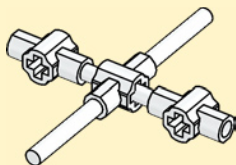
1



2



3



1x



1x



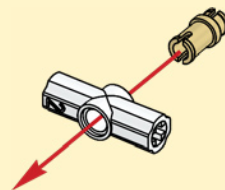
2x



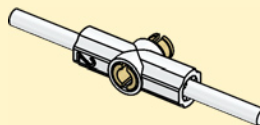
2x

# 146

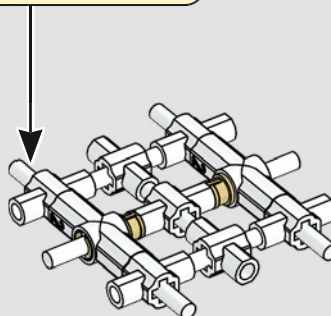
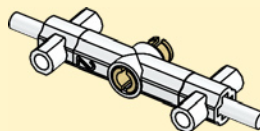
1



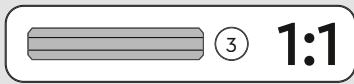
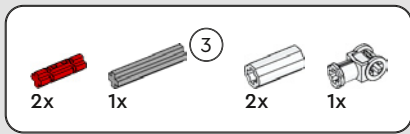
2



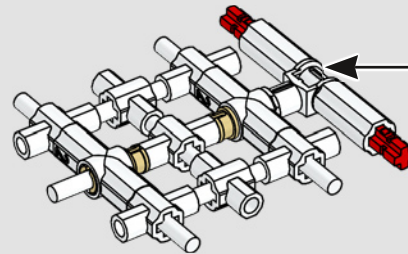
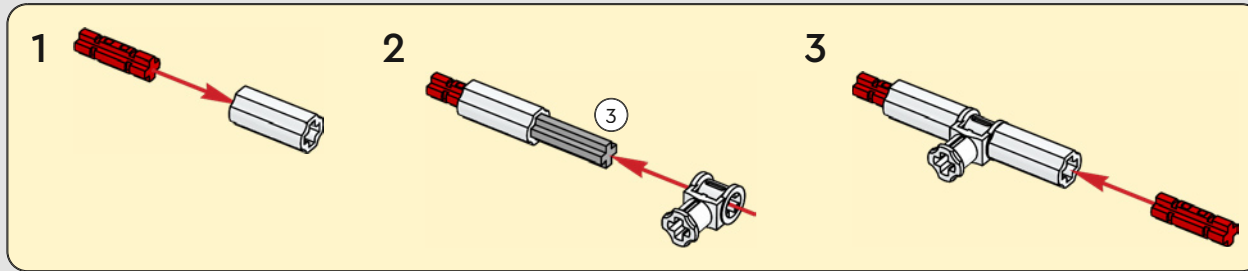
3



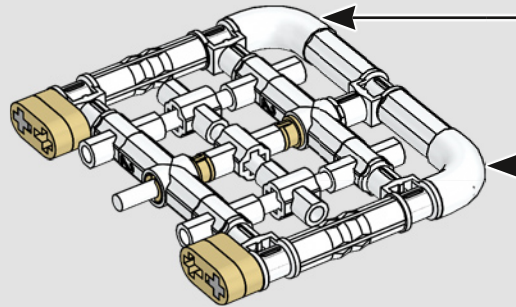
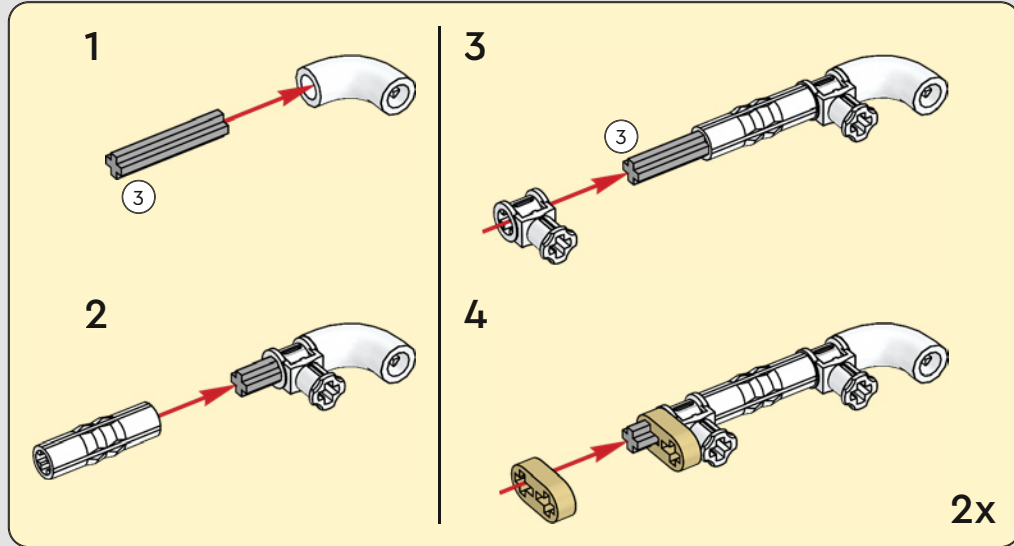
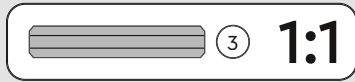
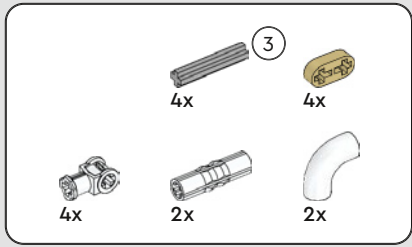


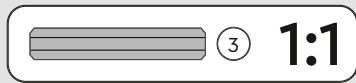
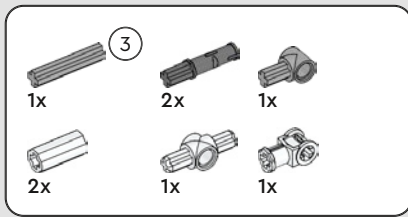


147

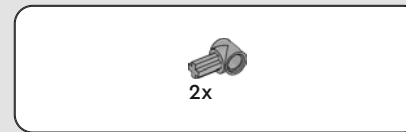
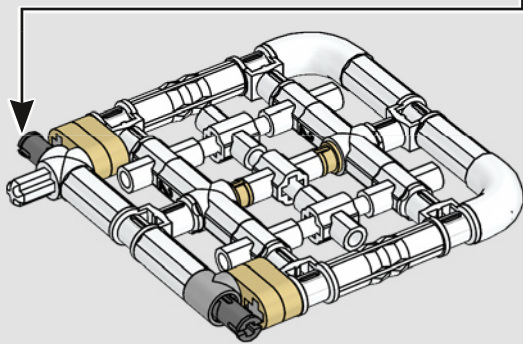
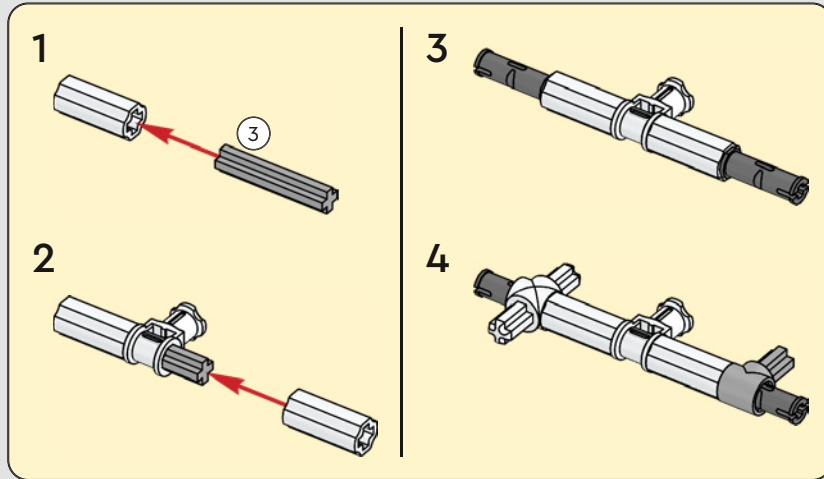


148

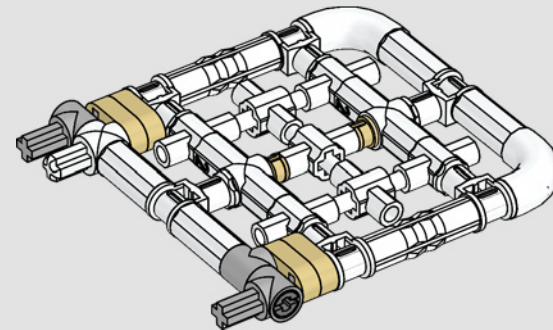




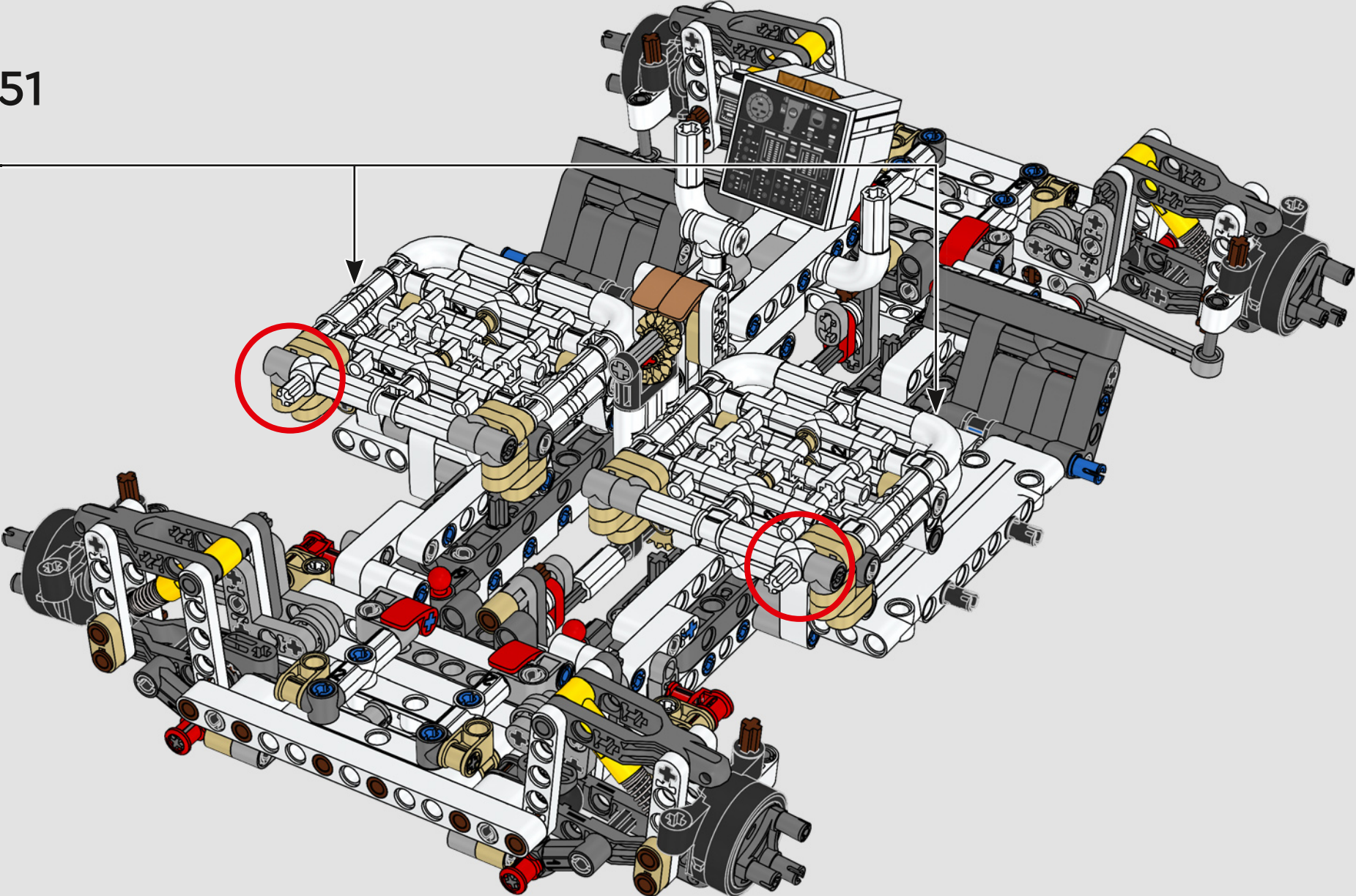
149



150



2x





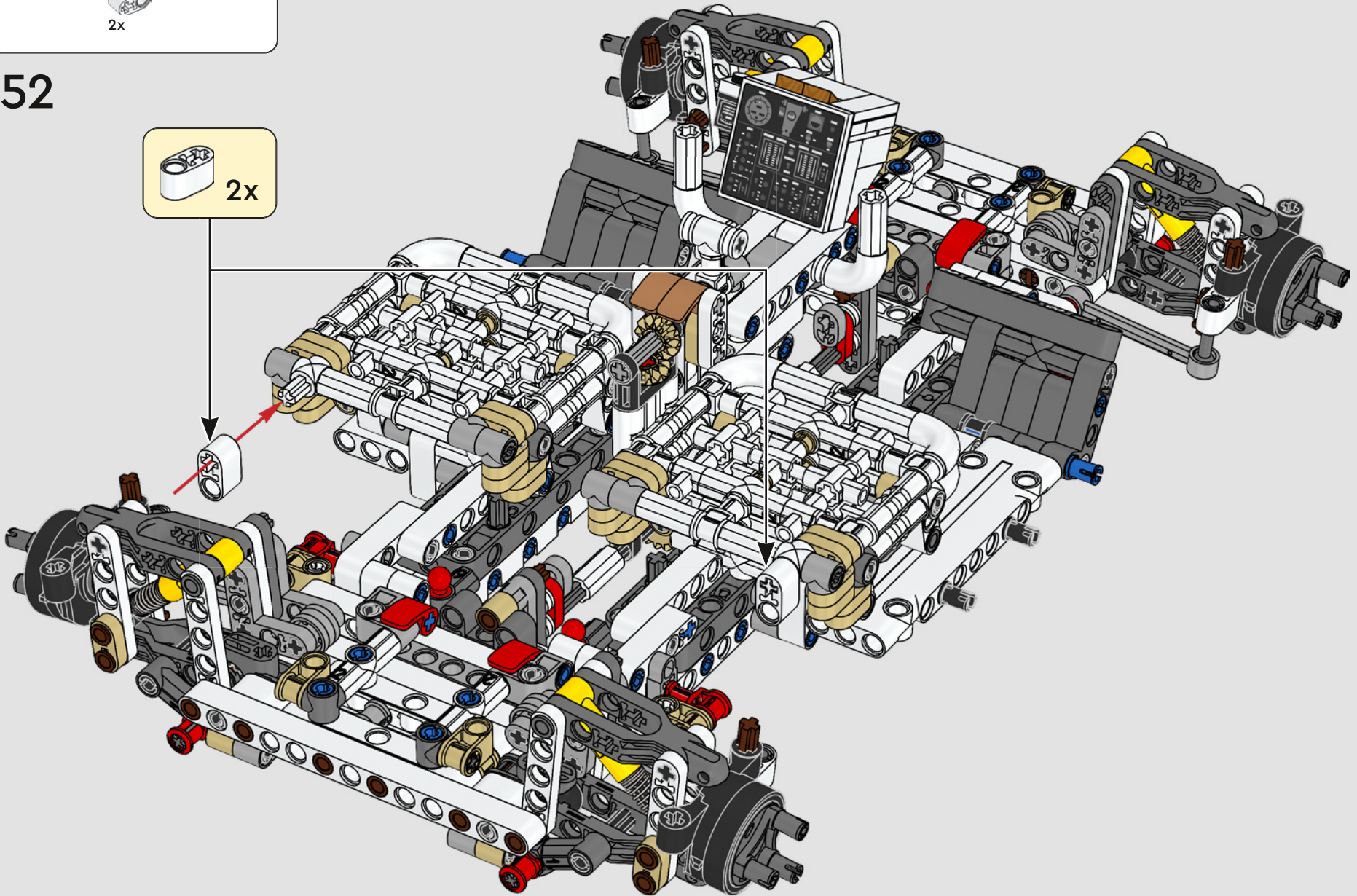


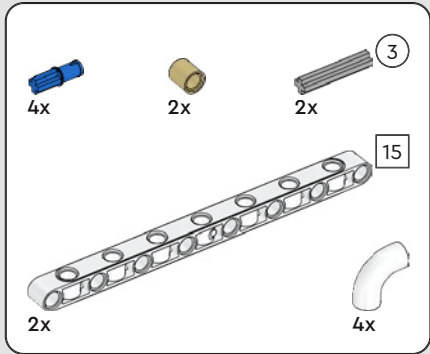
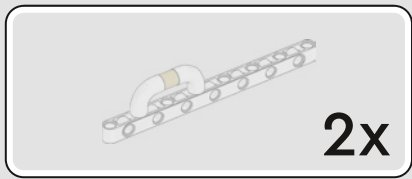
2x

152

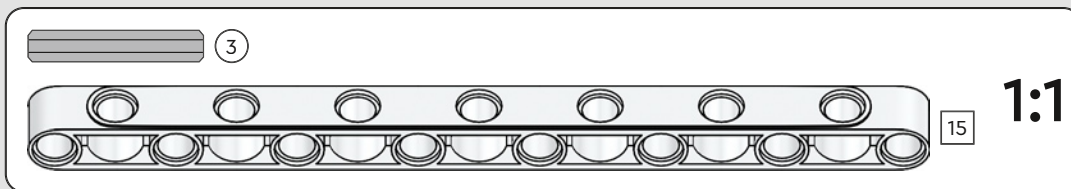
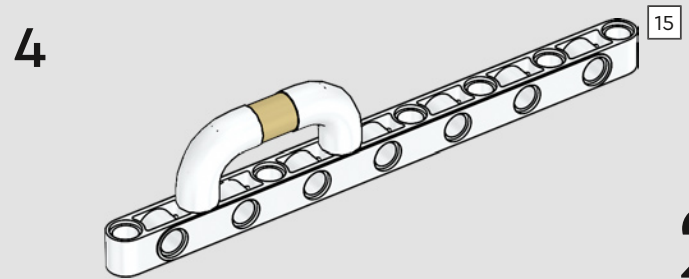
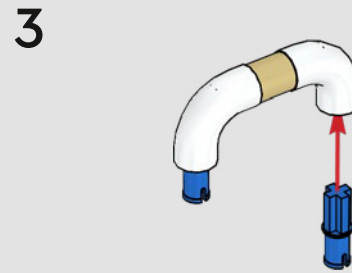
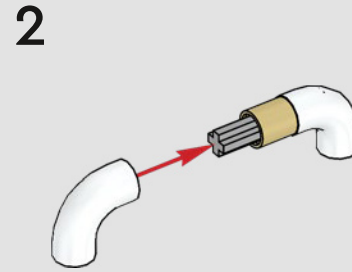
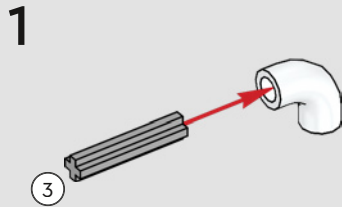


2x

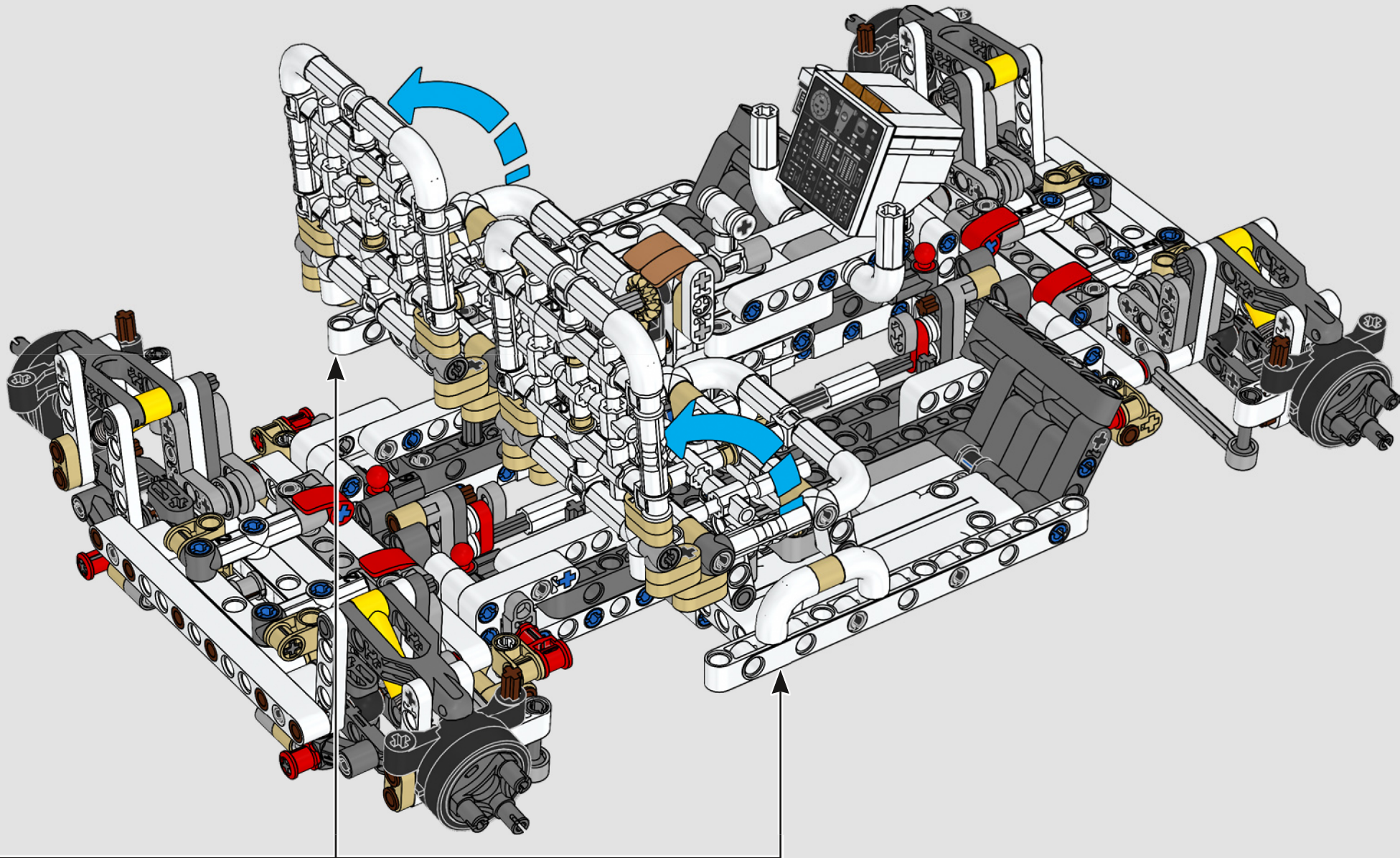




153









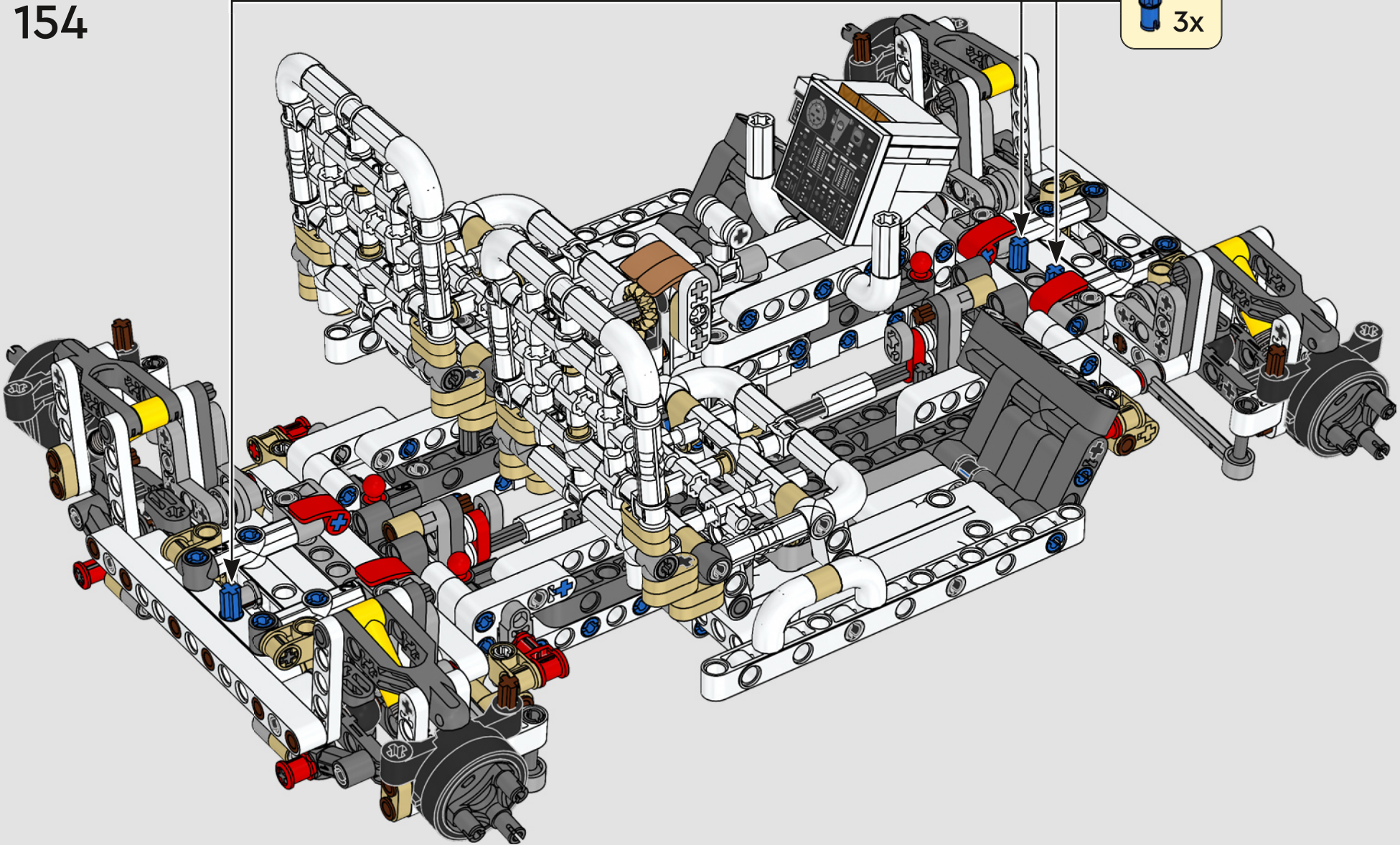


3x

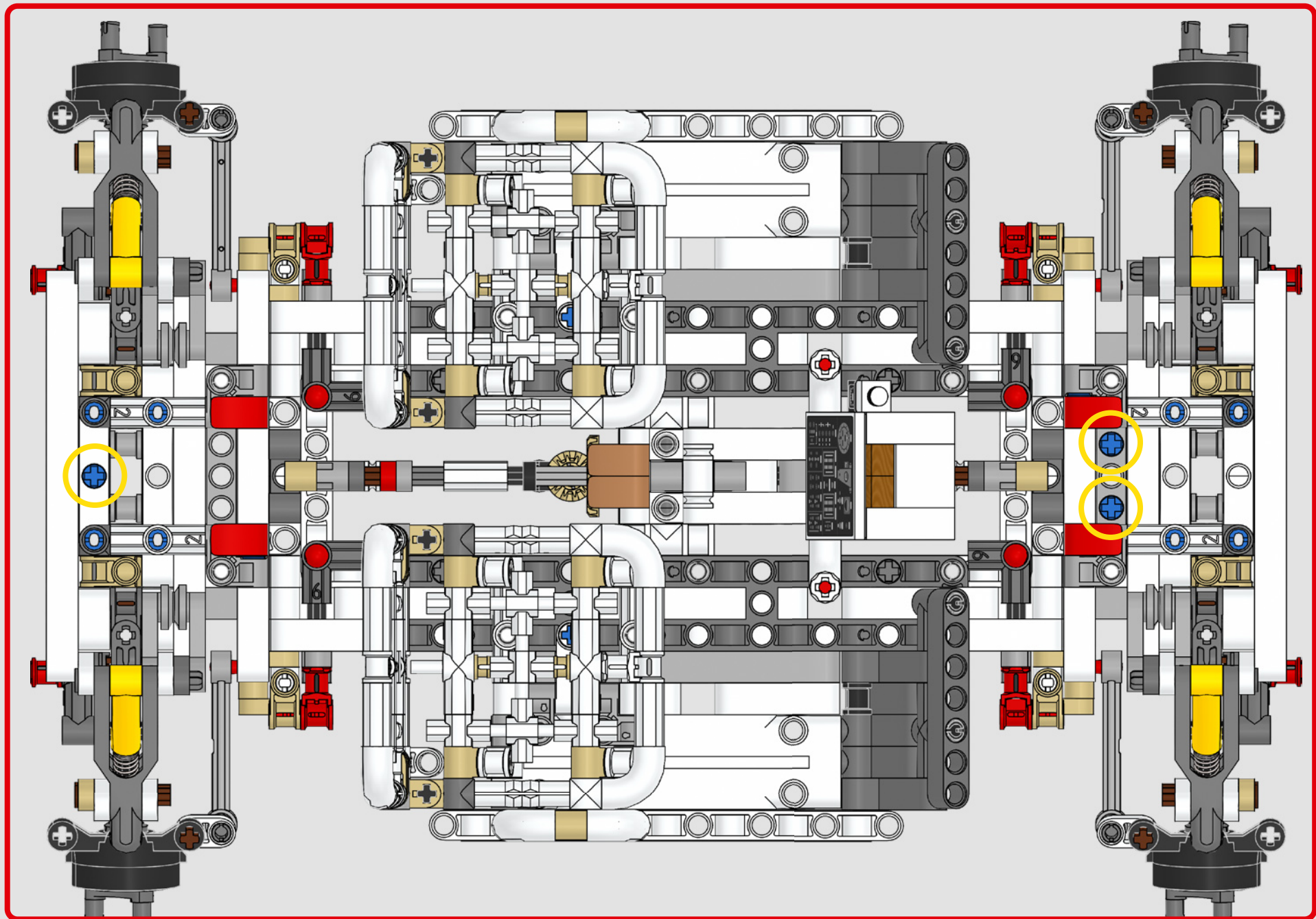
154



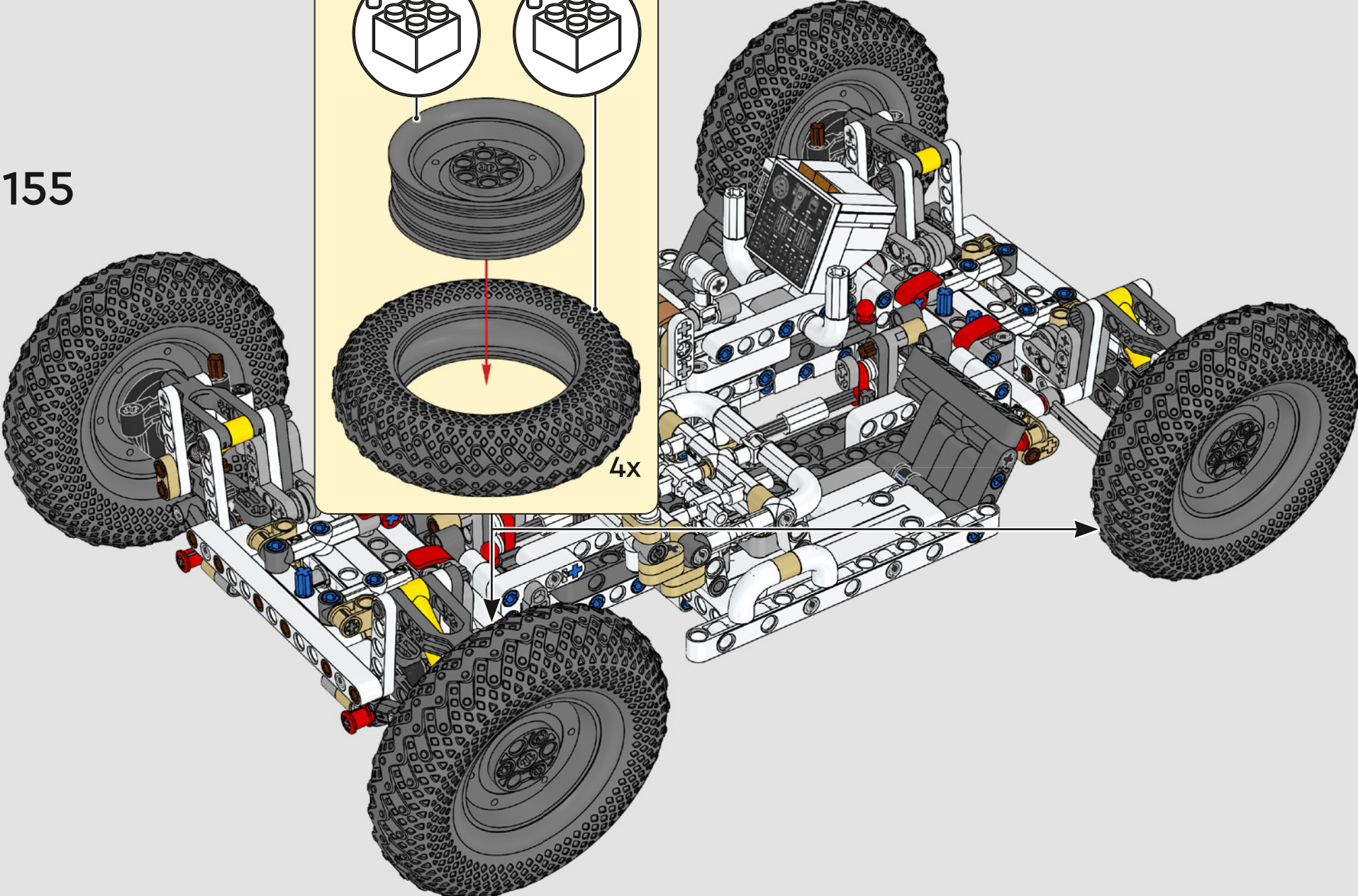
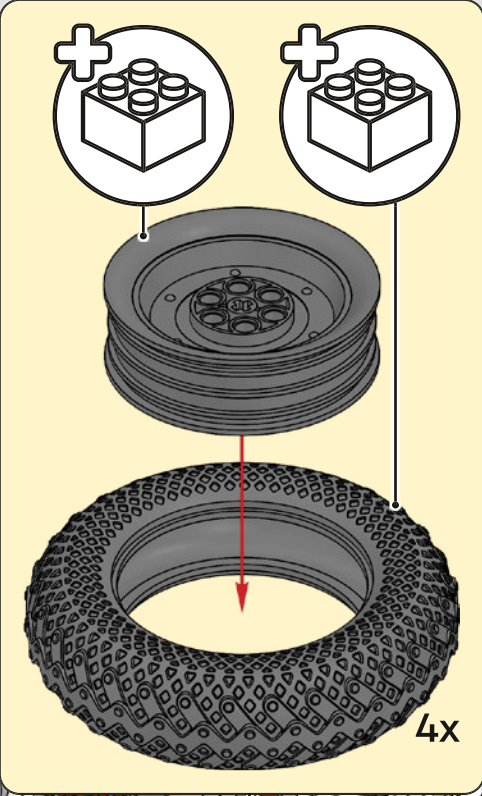
3x

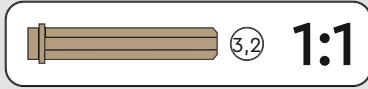
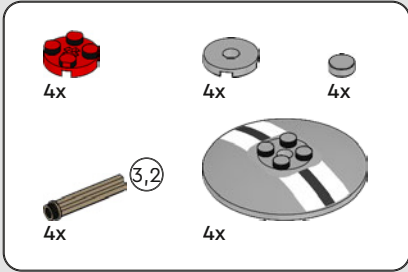






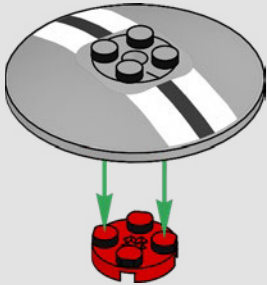
155



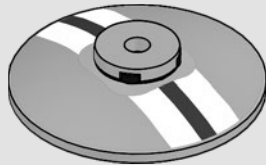


156

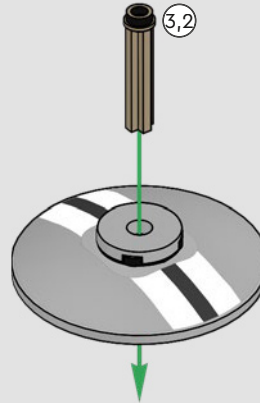
1



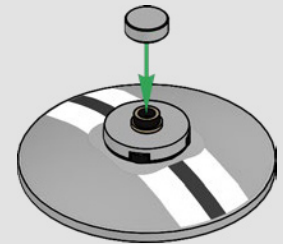
2



3

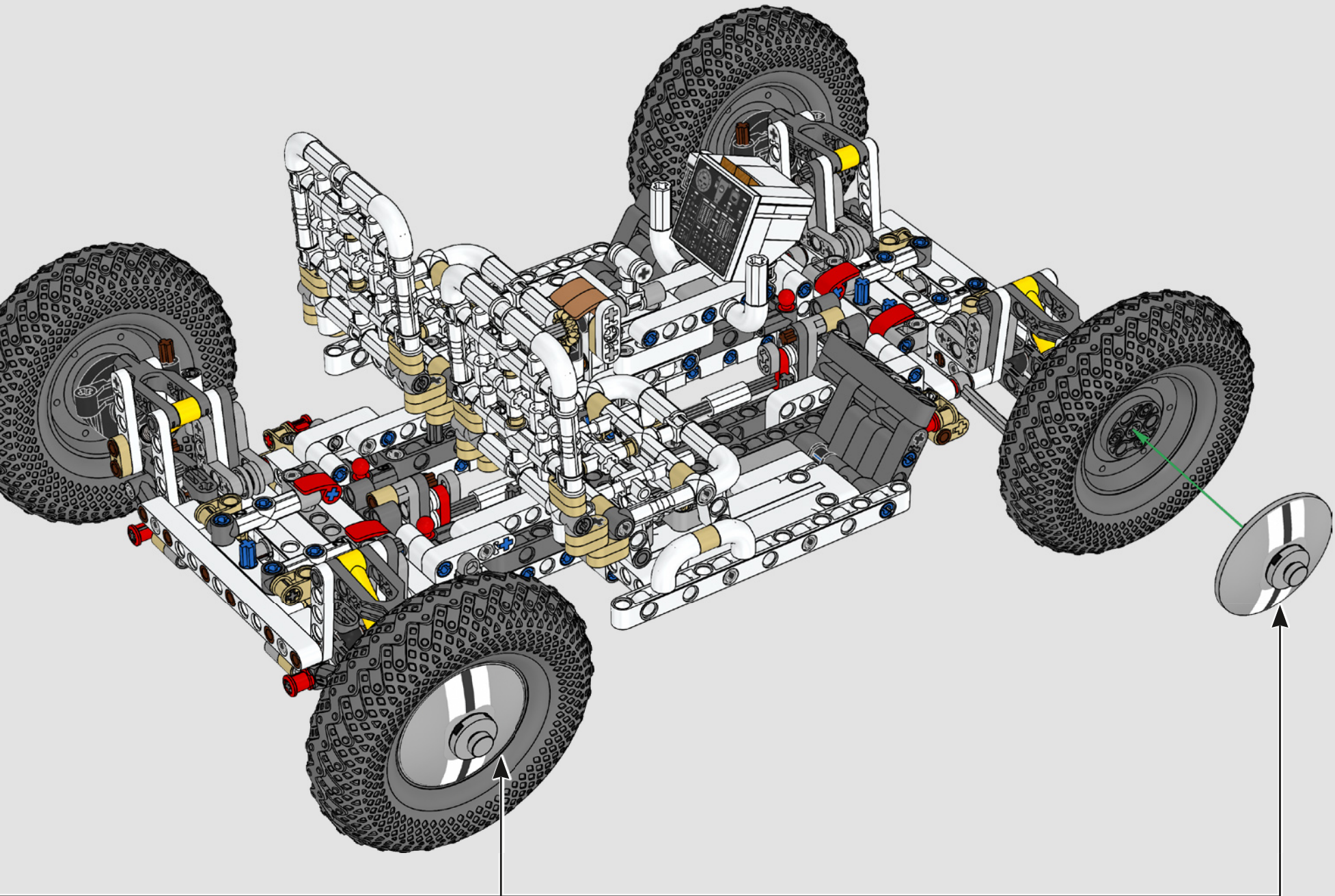


4

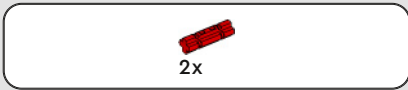


4x

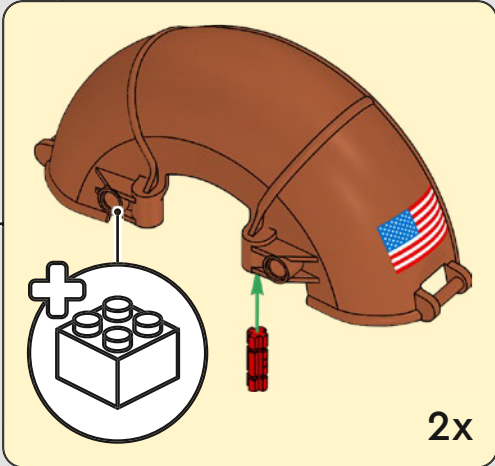
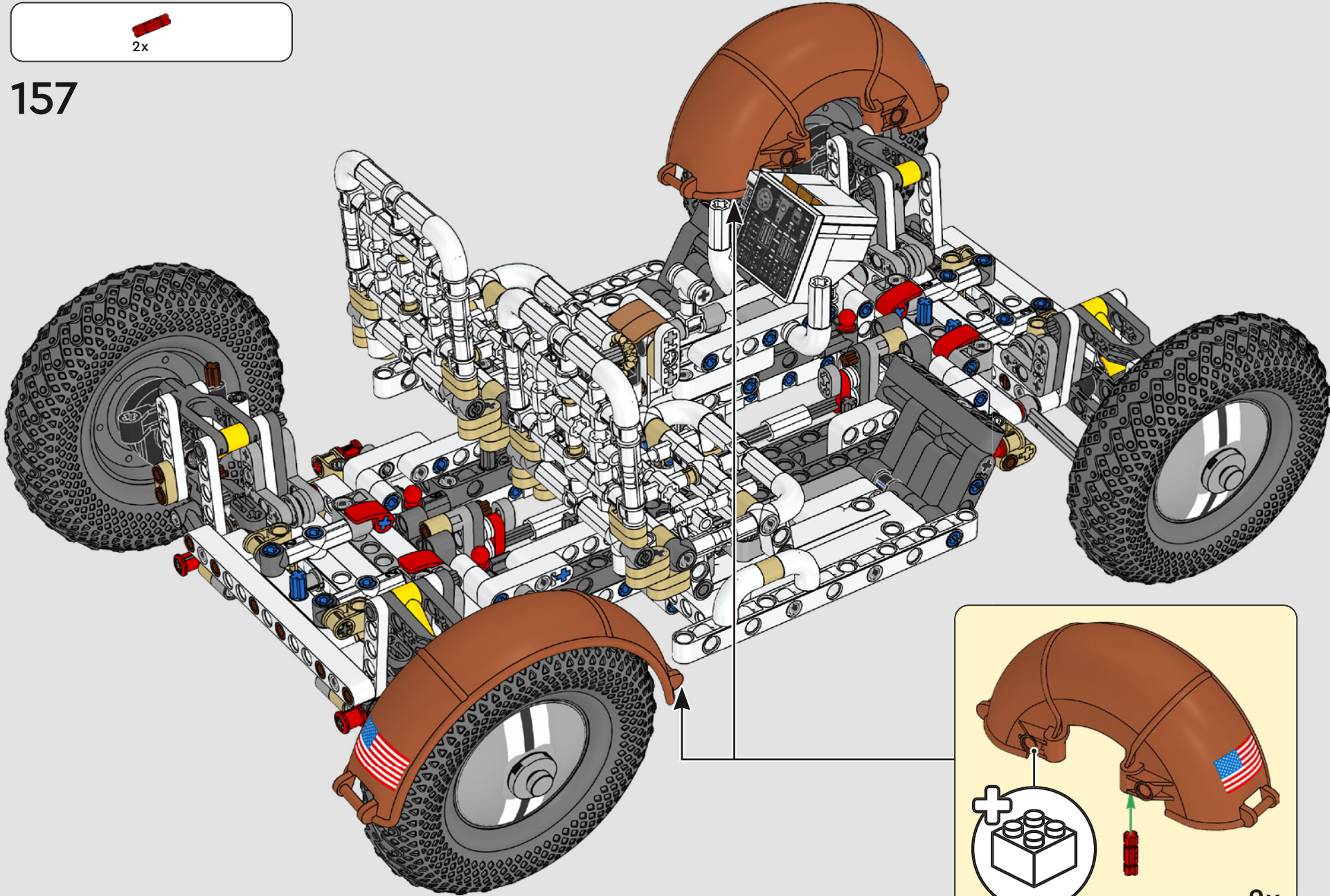








157

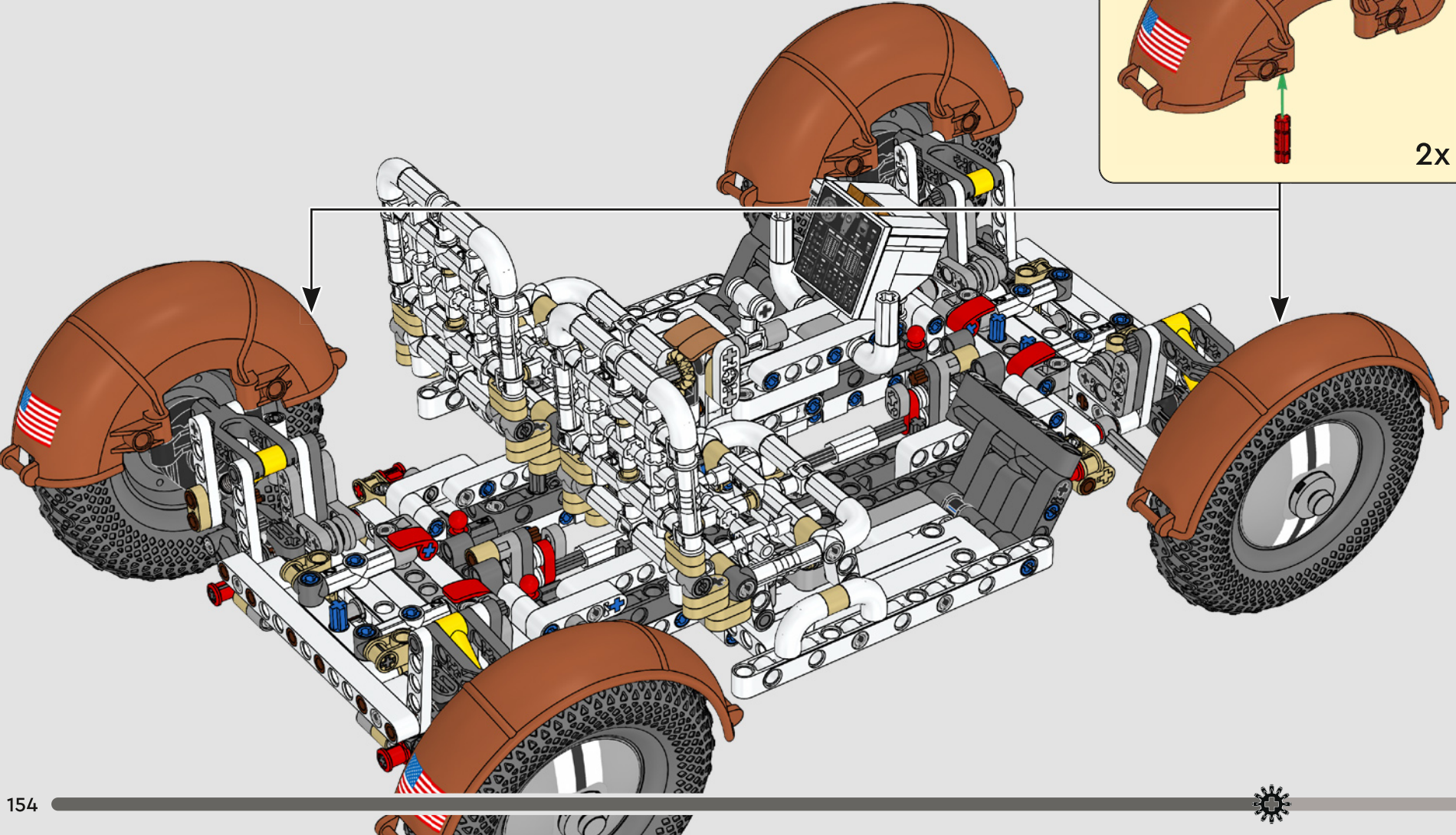


2x

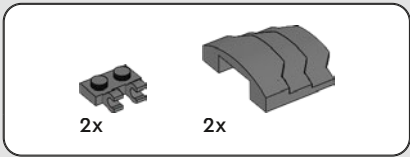
158

+

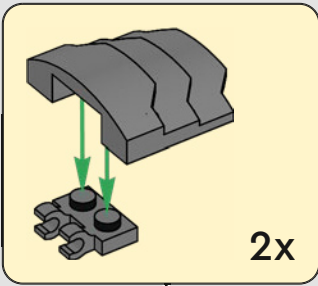
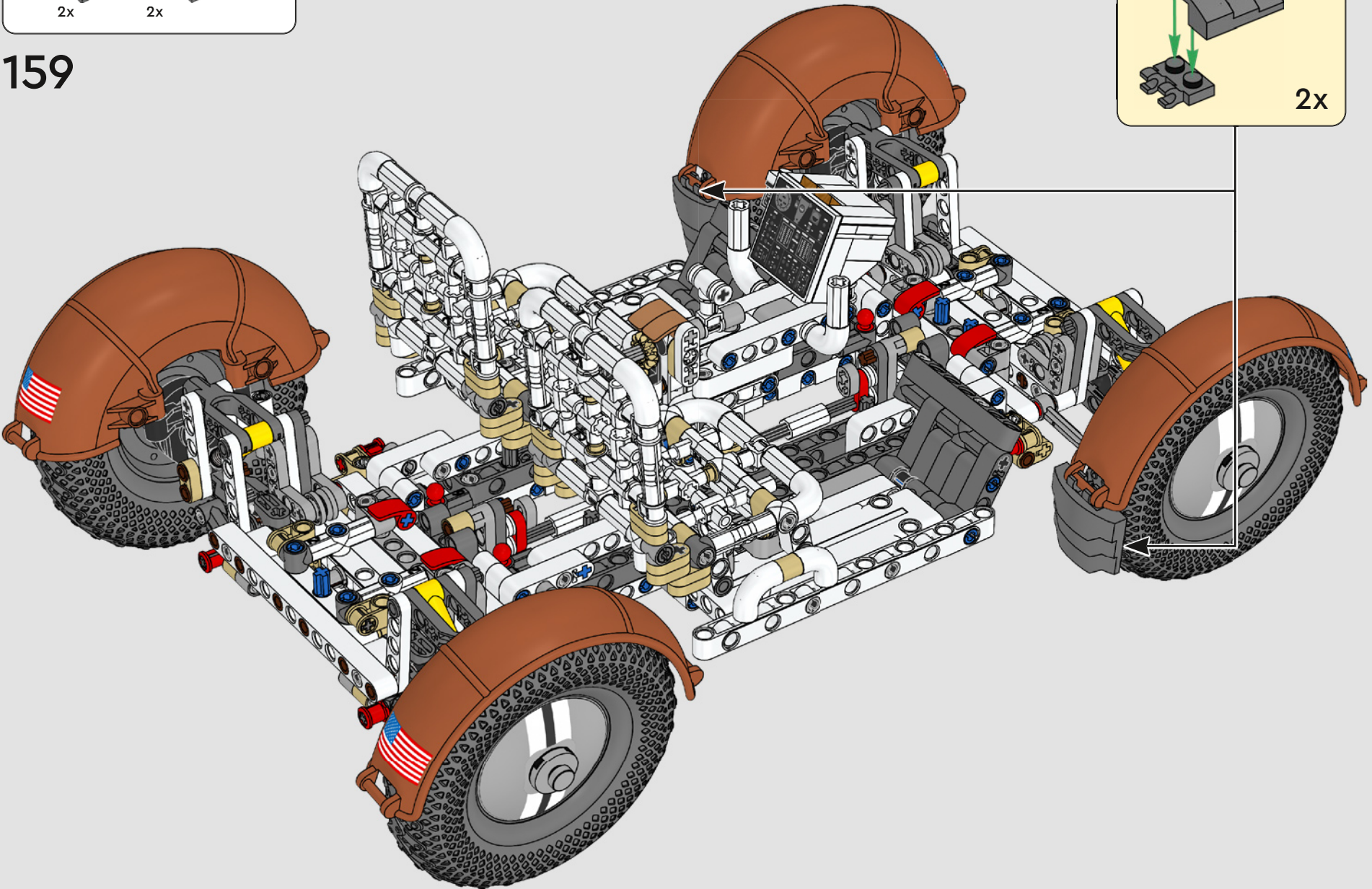
2x

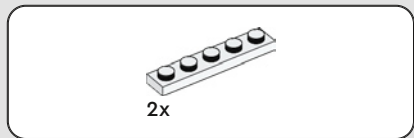
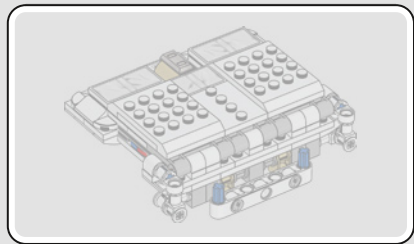






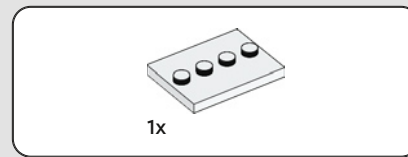
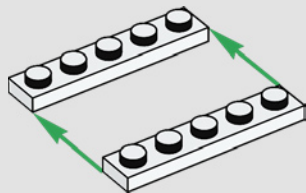
159





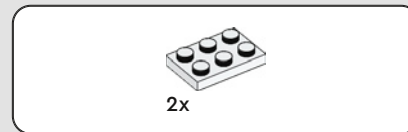
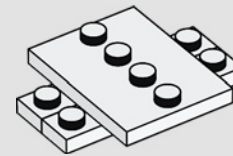
2x

160



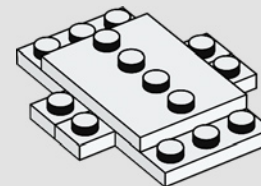
1x

161

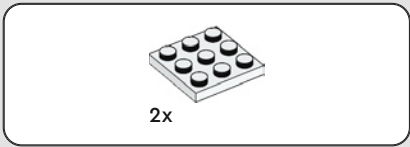


2x

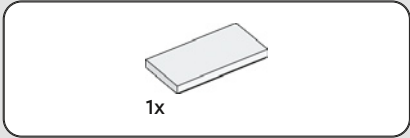
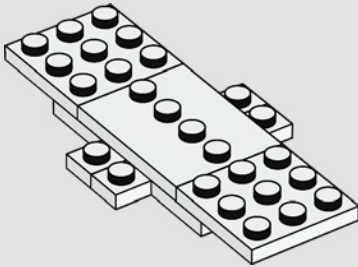
162



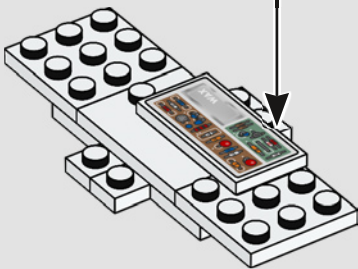
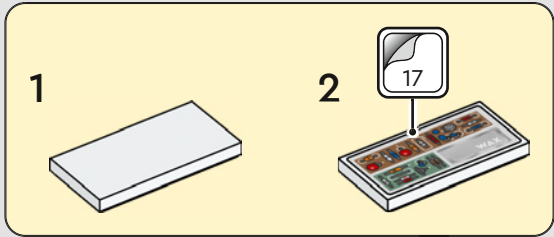




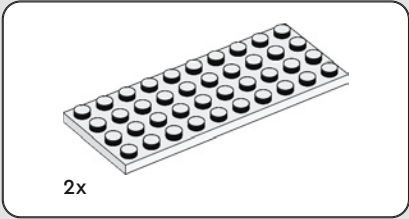
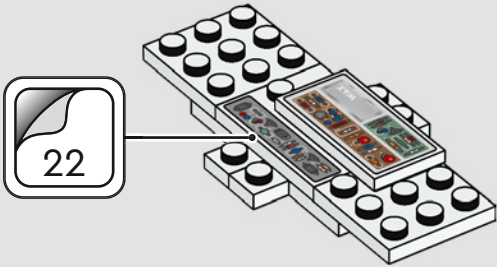
163



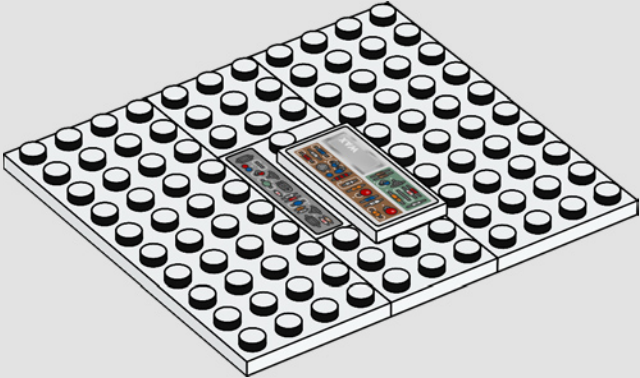
164



165



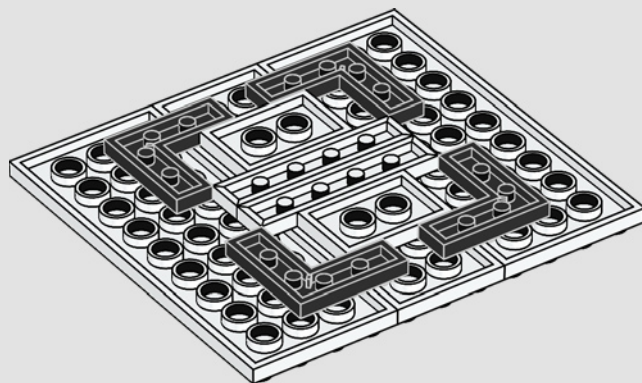
166





4x

# 167

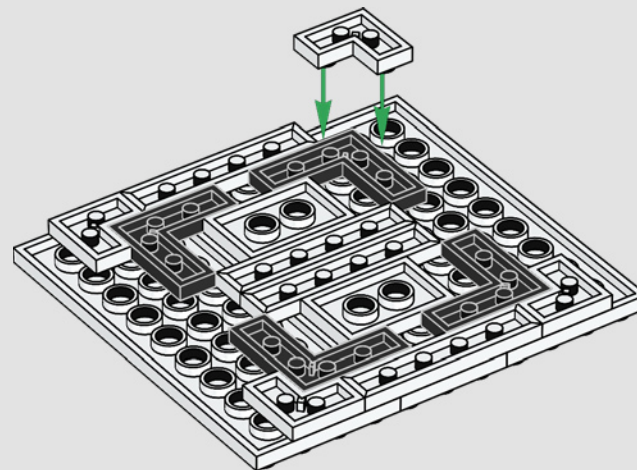


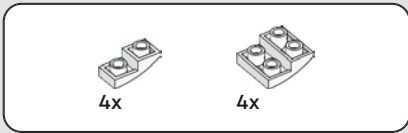
4x



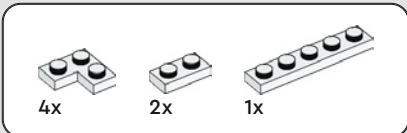
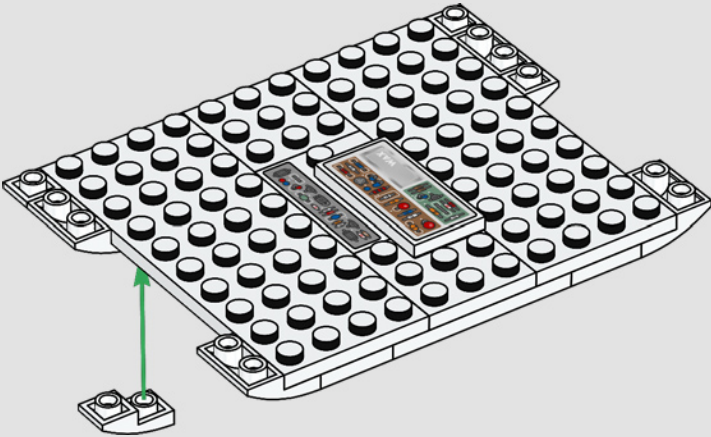
2x

# 168

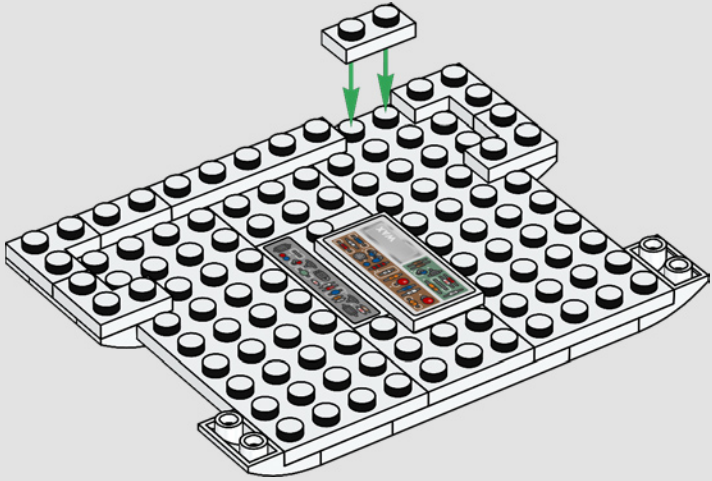


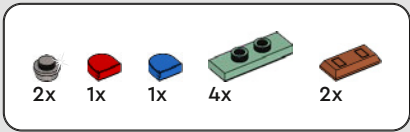


169

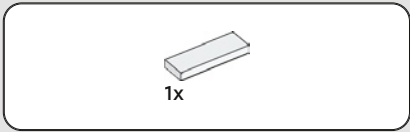
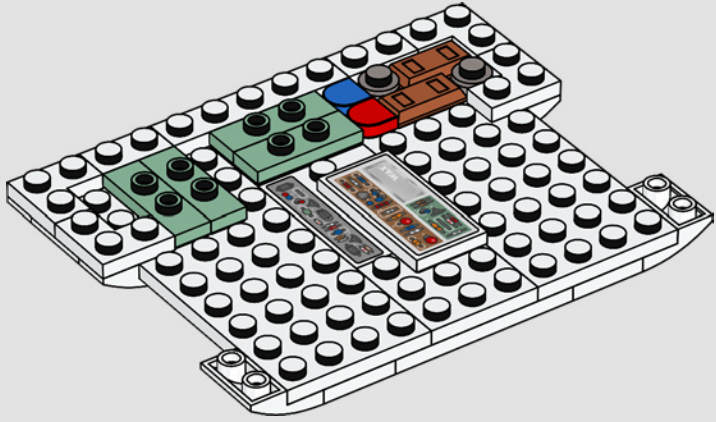


170

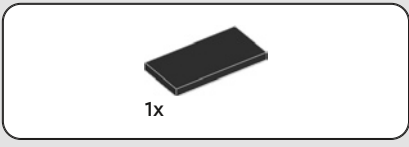
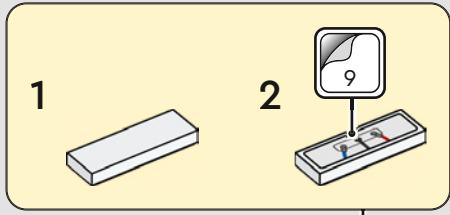
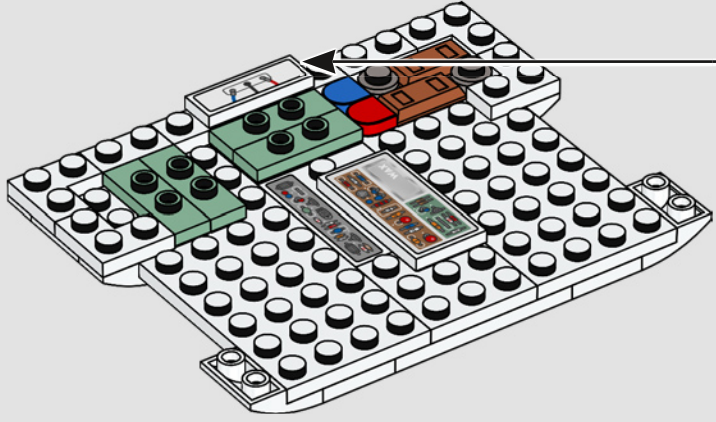




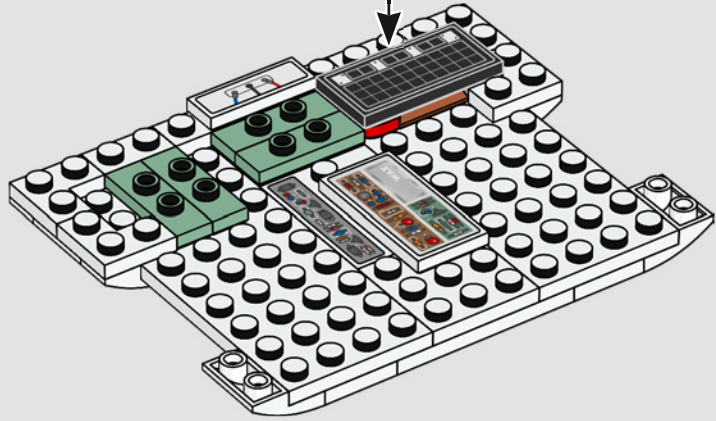
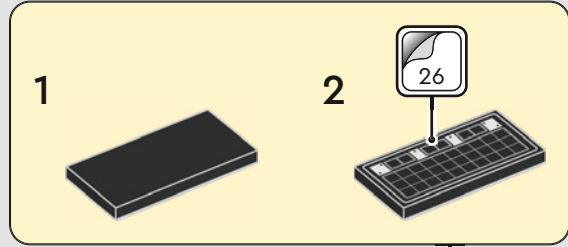
171



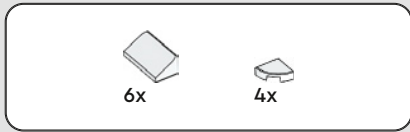
172



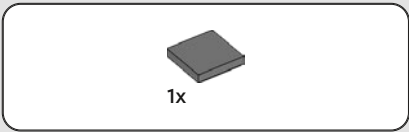
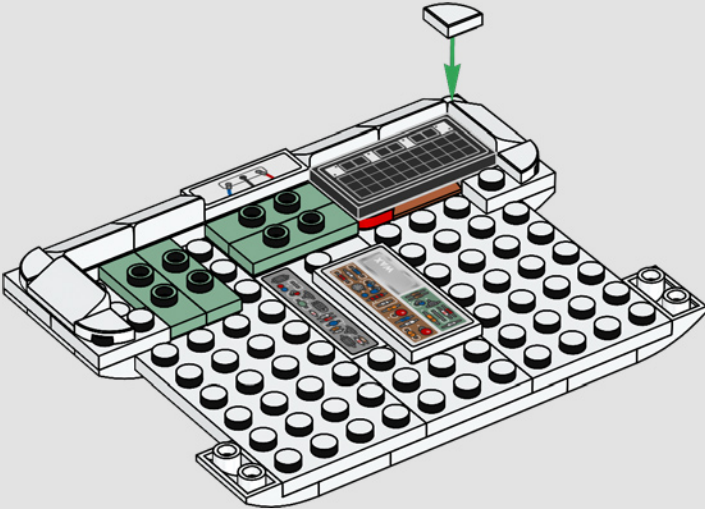
173



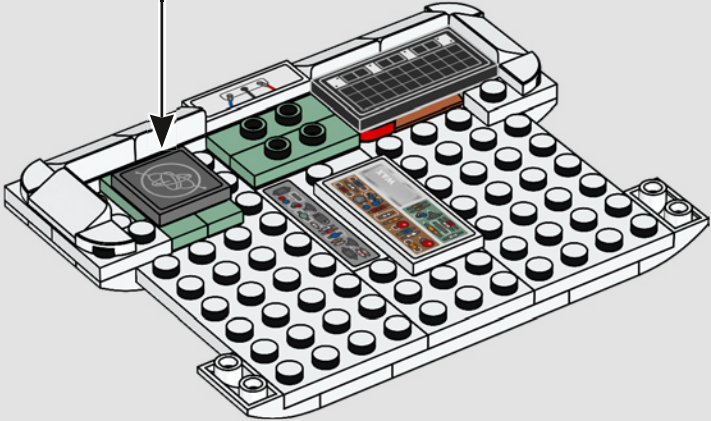
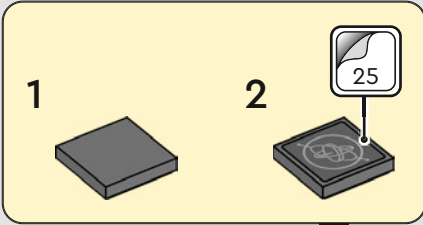


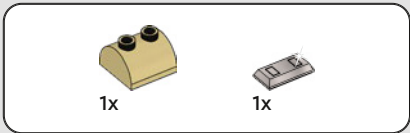


174

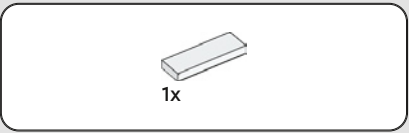
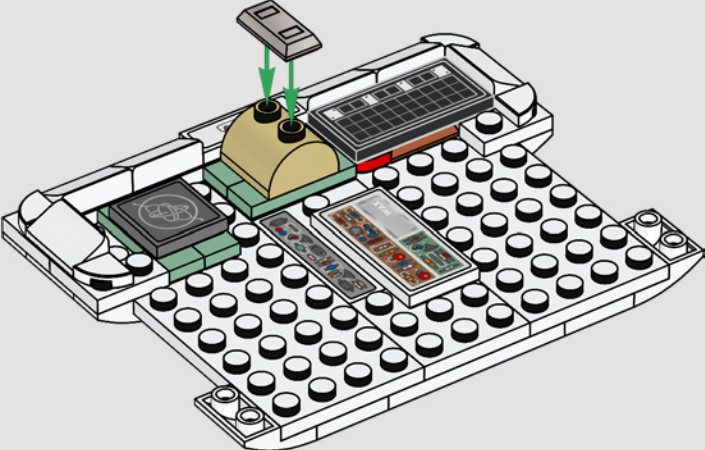


175

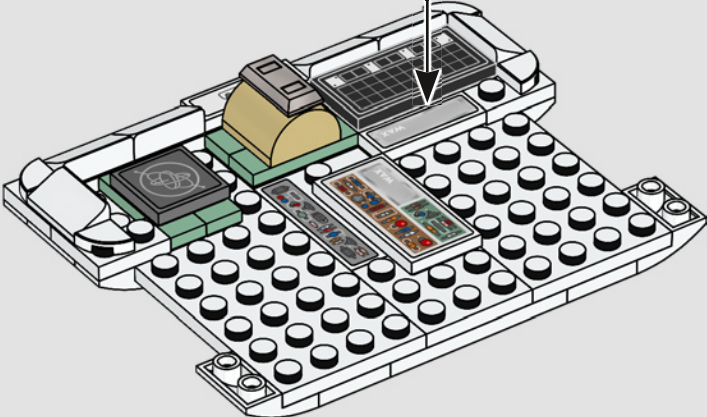
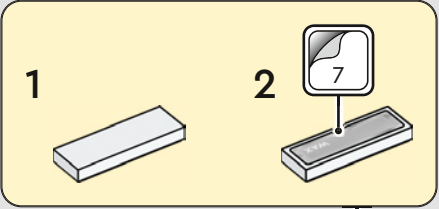


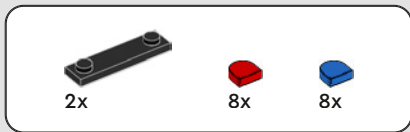


176

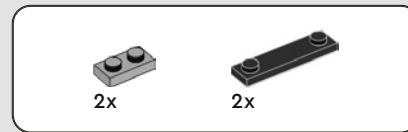
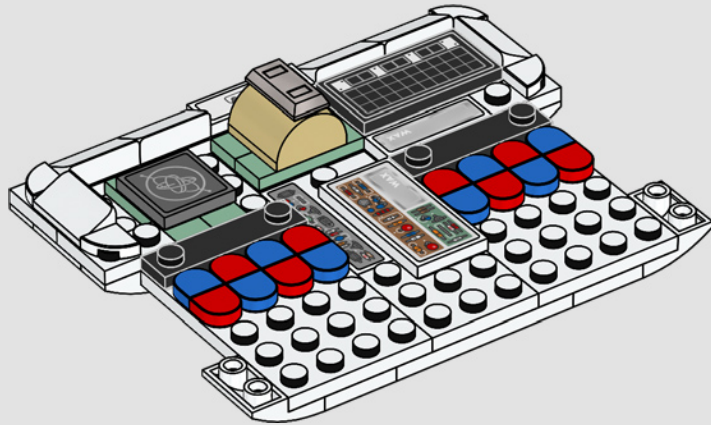


177

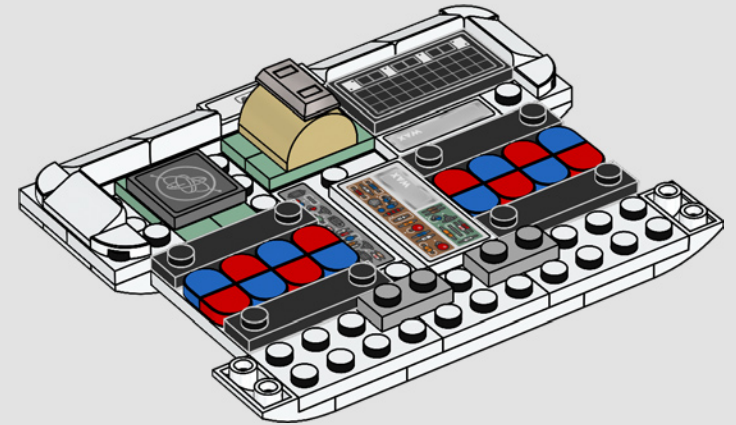


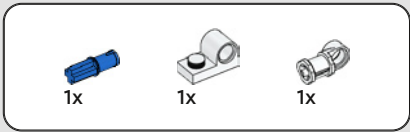


178

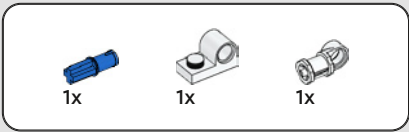
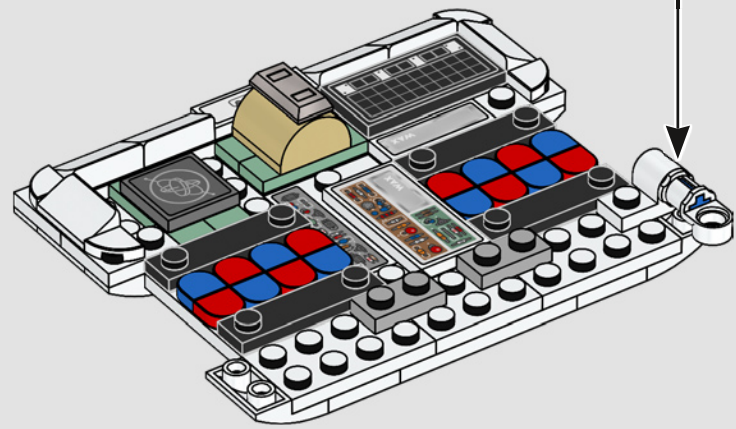
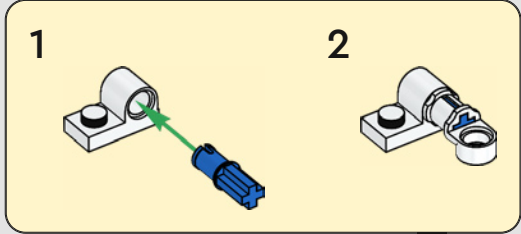


179

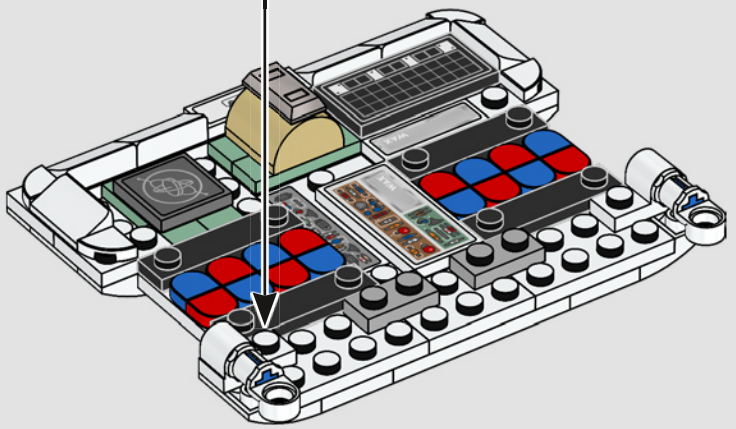
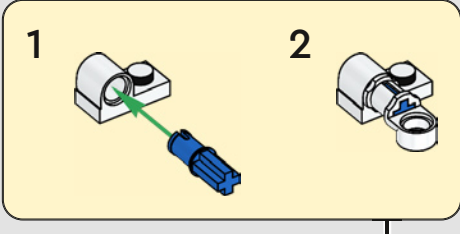




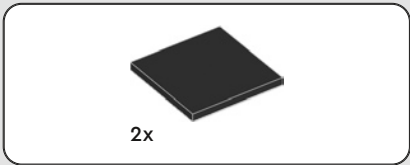
# 180



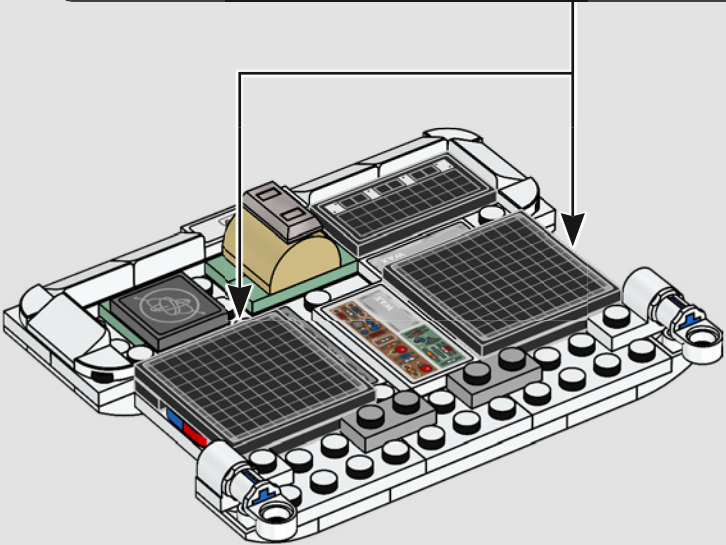
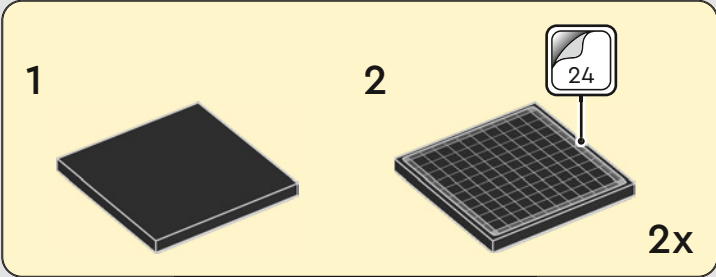
# 181

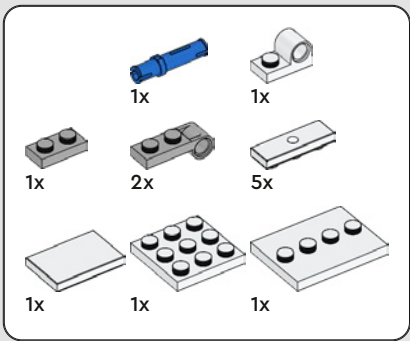




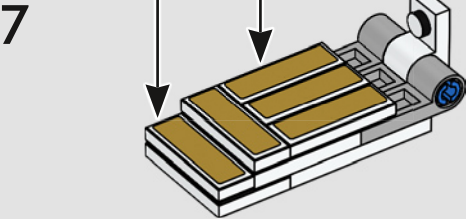
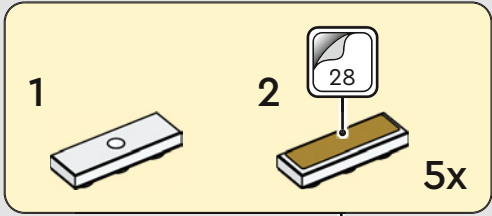
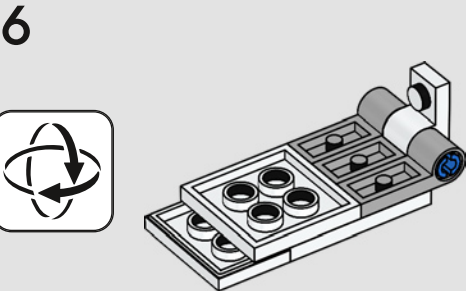
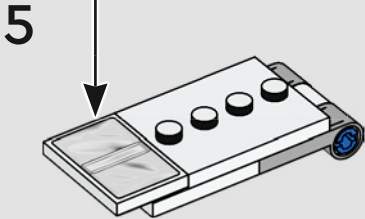
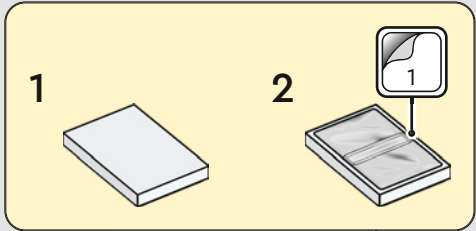
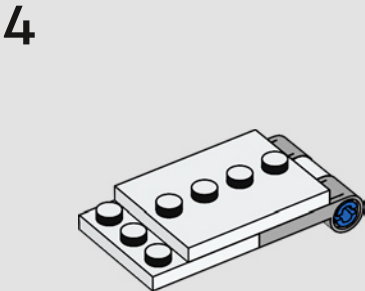
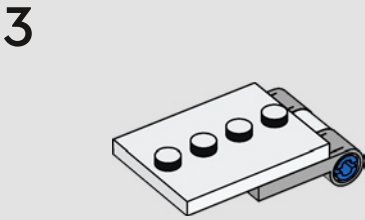
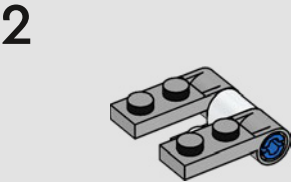
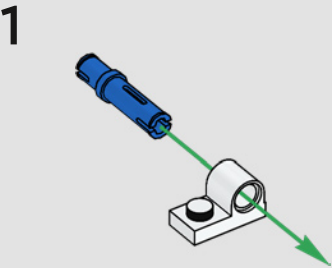


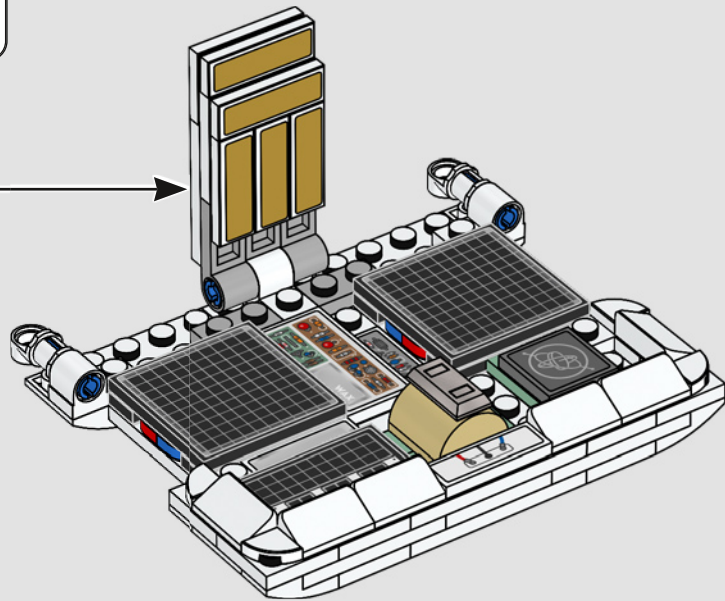
182

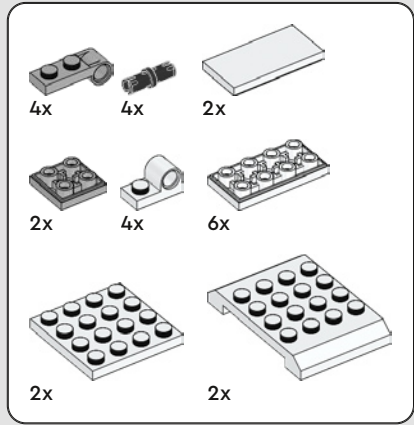
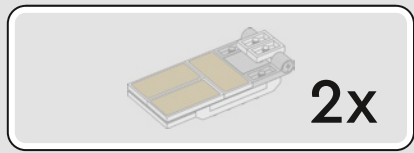




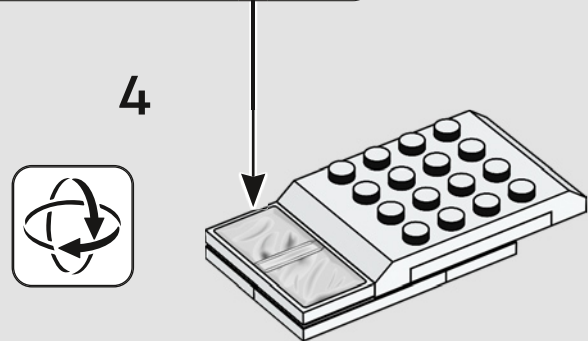
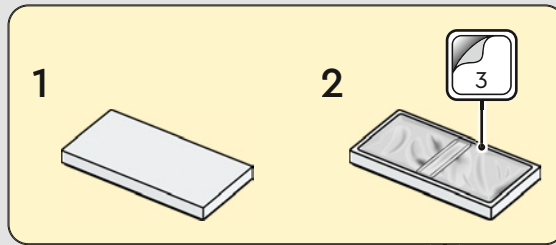
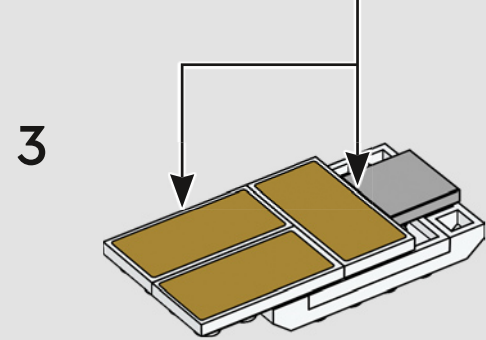
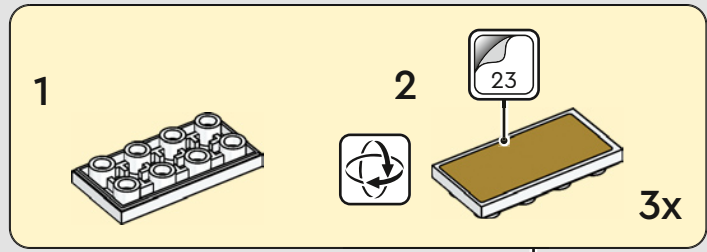
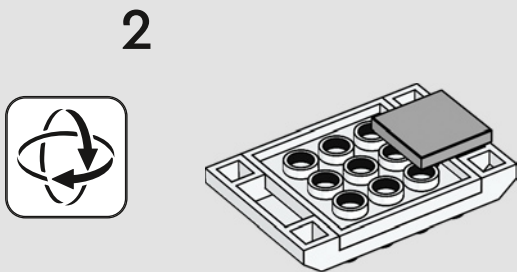
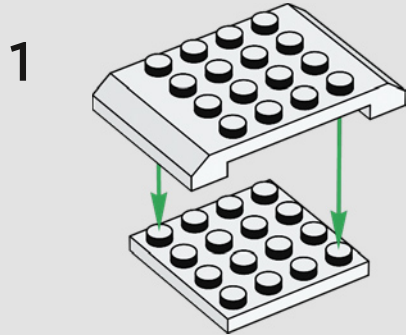
# 183



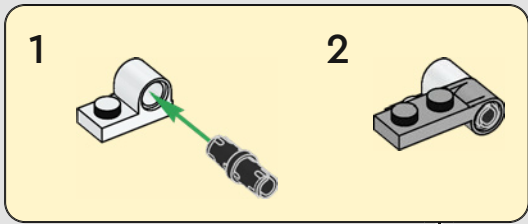




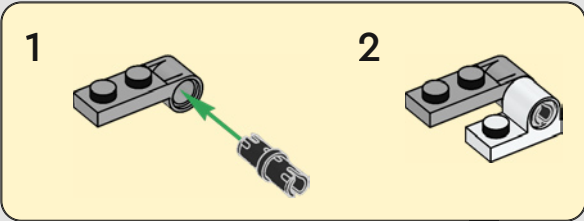
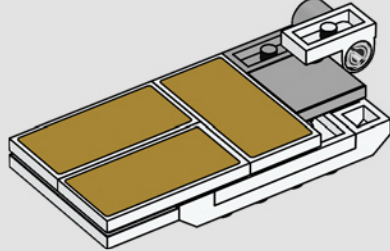
184



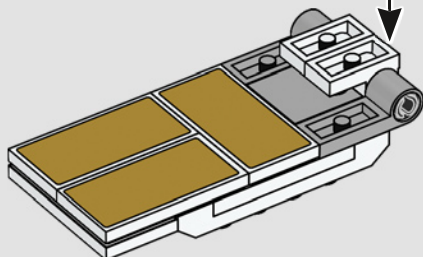




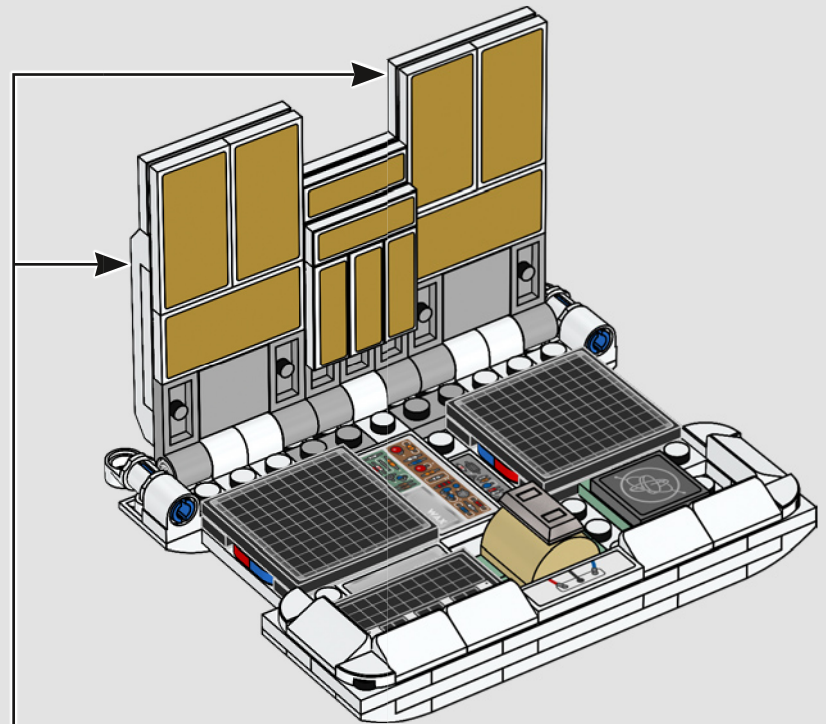
5

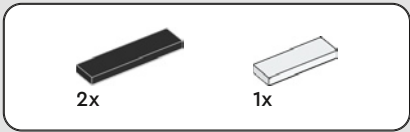


6

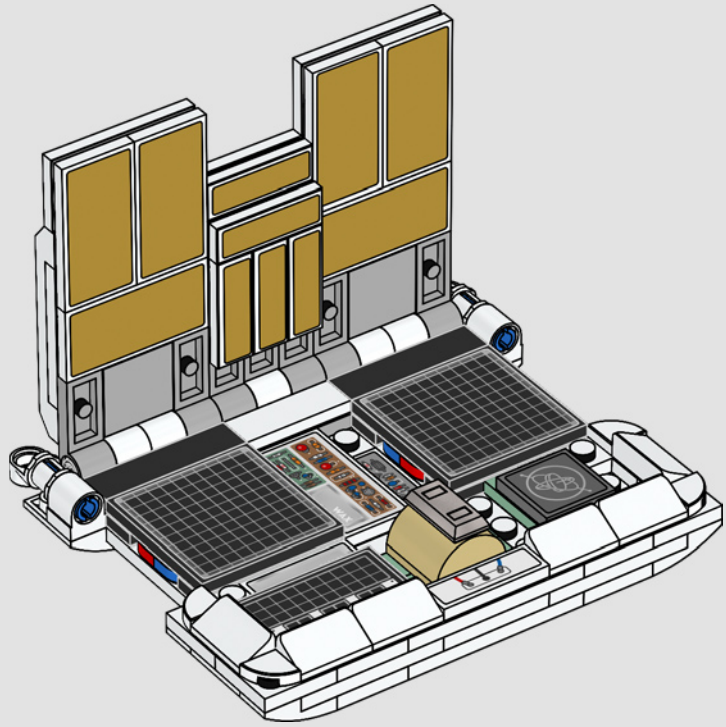


2x

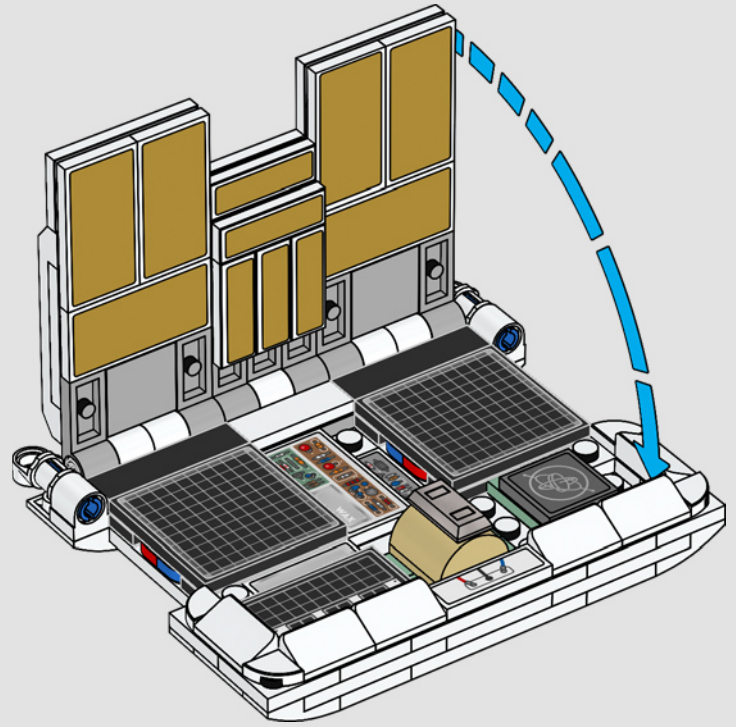


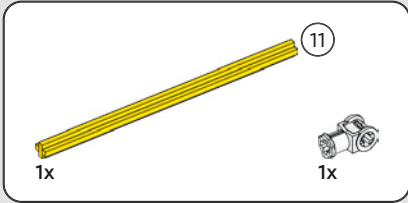
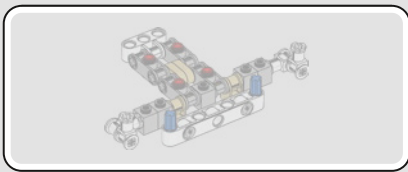


185

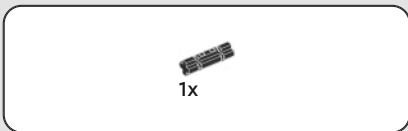
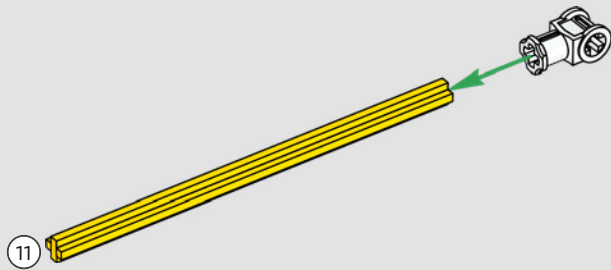


186

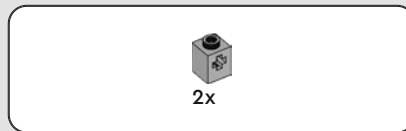
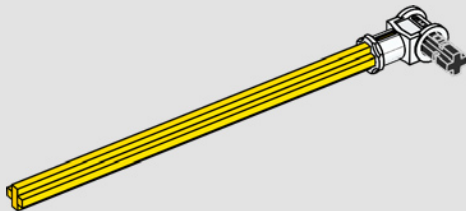




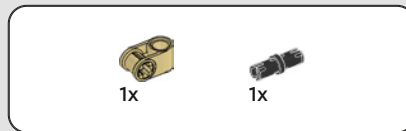
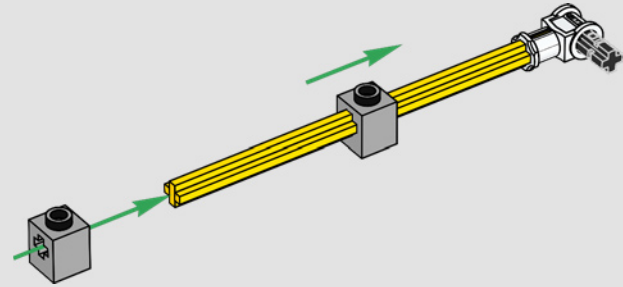
187



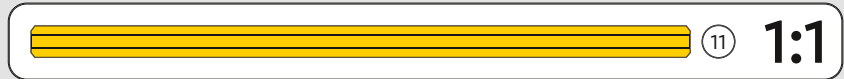
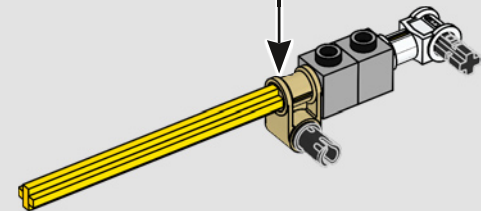
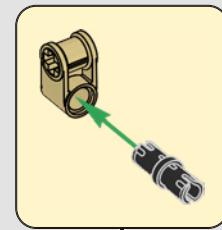
188

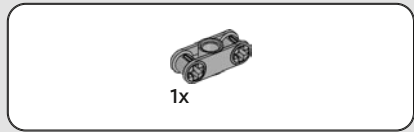


189

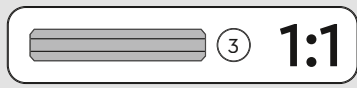
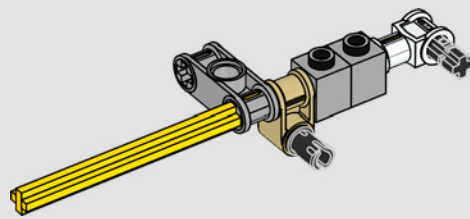


190

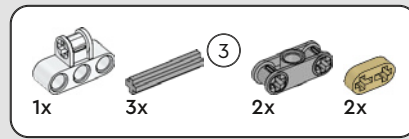




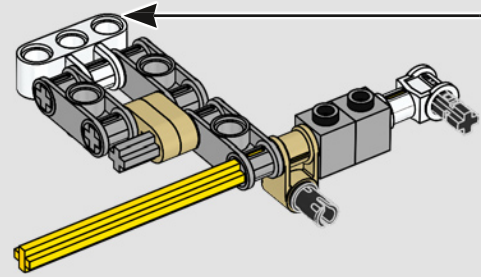
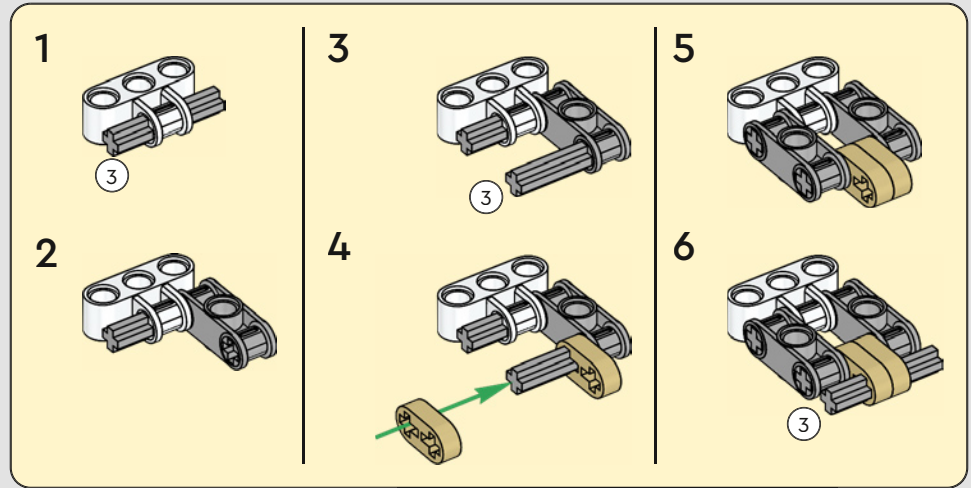
191



172



192

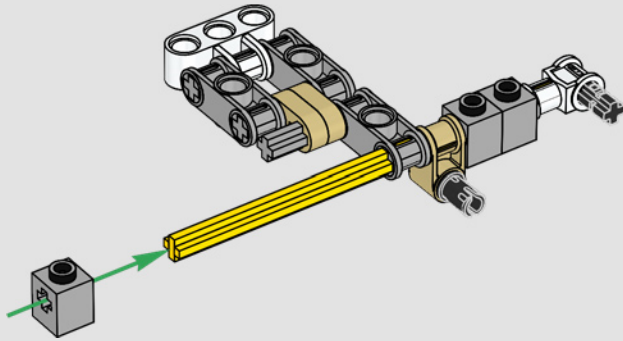






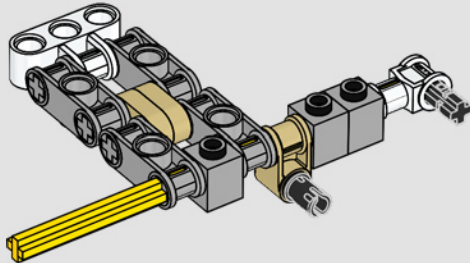
1x

# 193



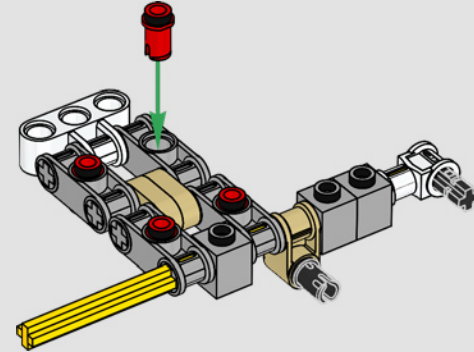
1x

# 194



4x

# 195

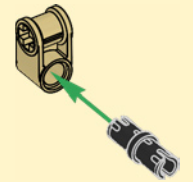
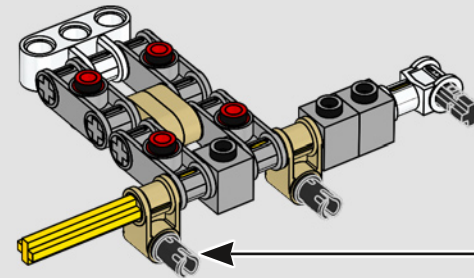


1x



1x

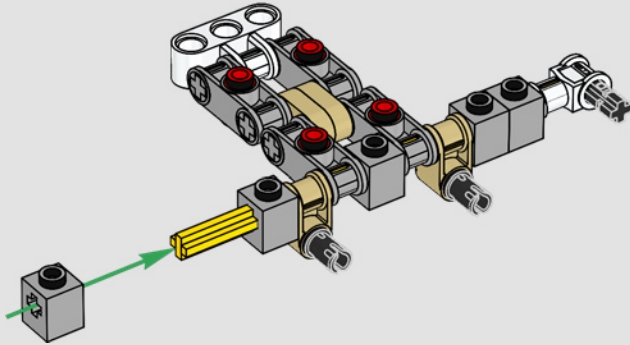
# 196





2x

# 197

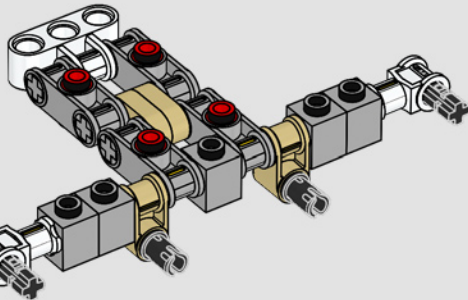


1x



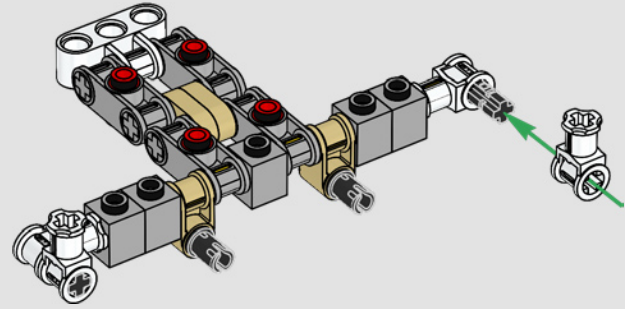
1x

# 198



2x

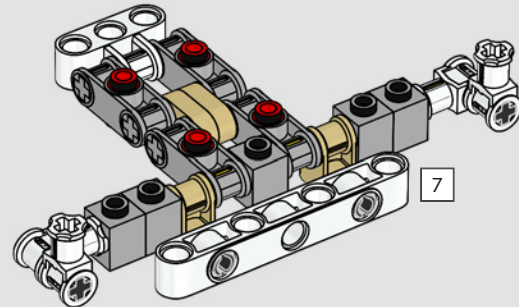
# 199



1x

7

# 200



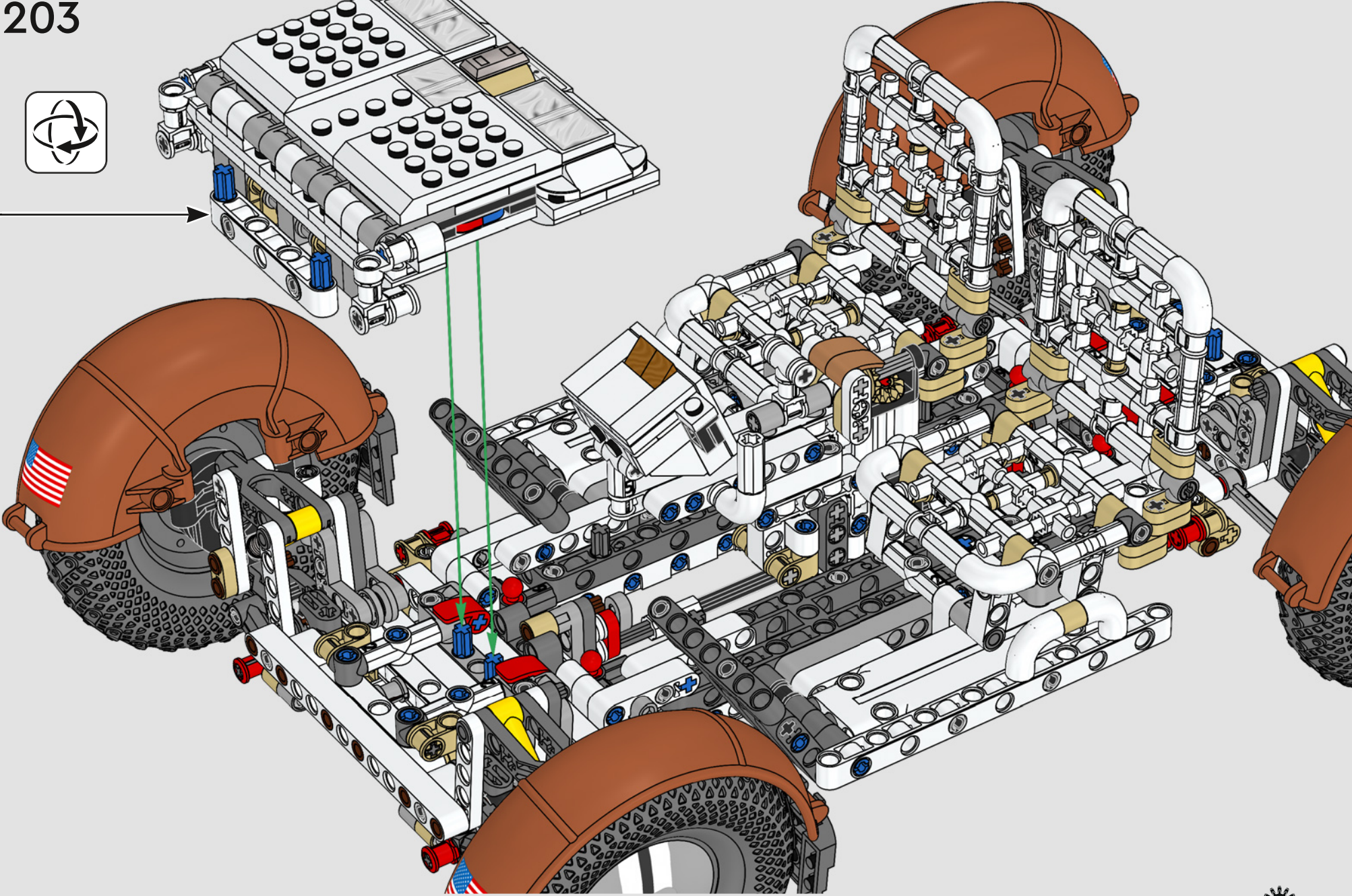
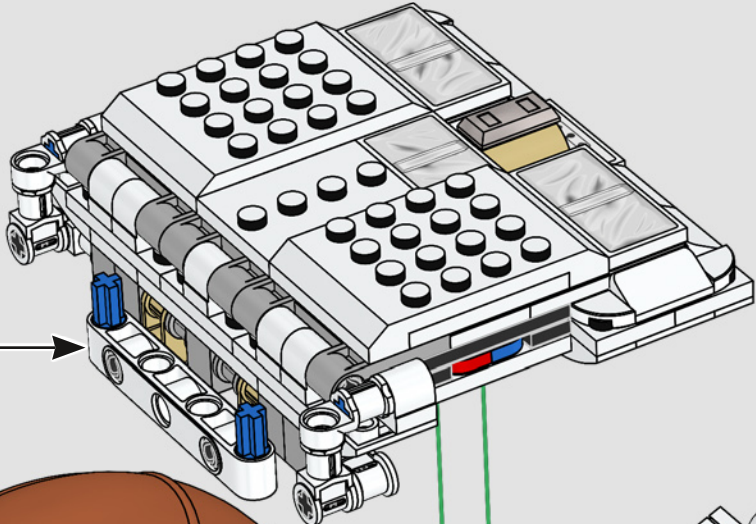
7

1:1

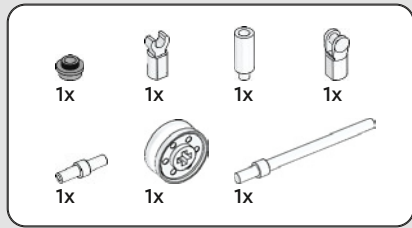












204

1



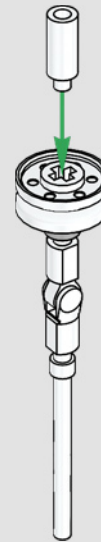
2

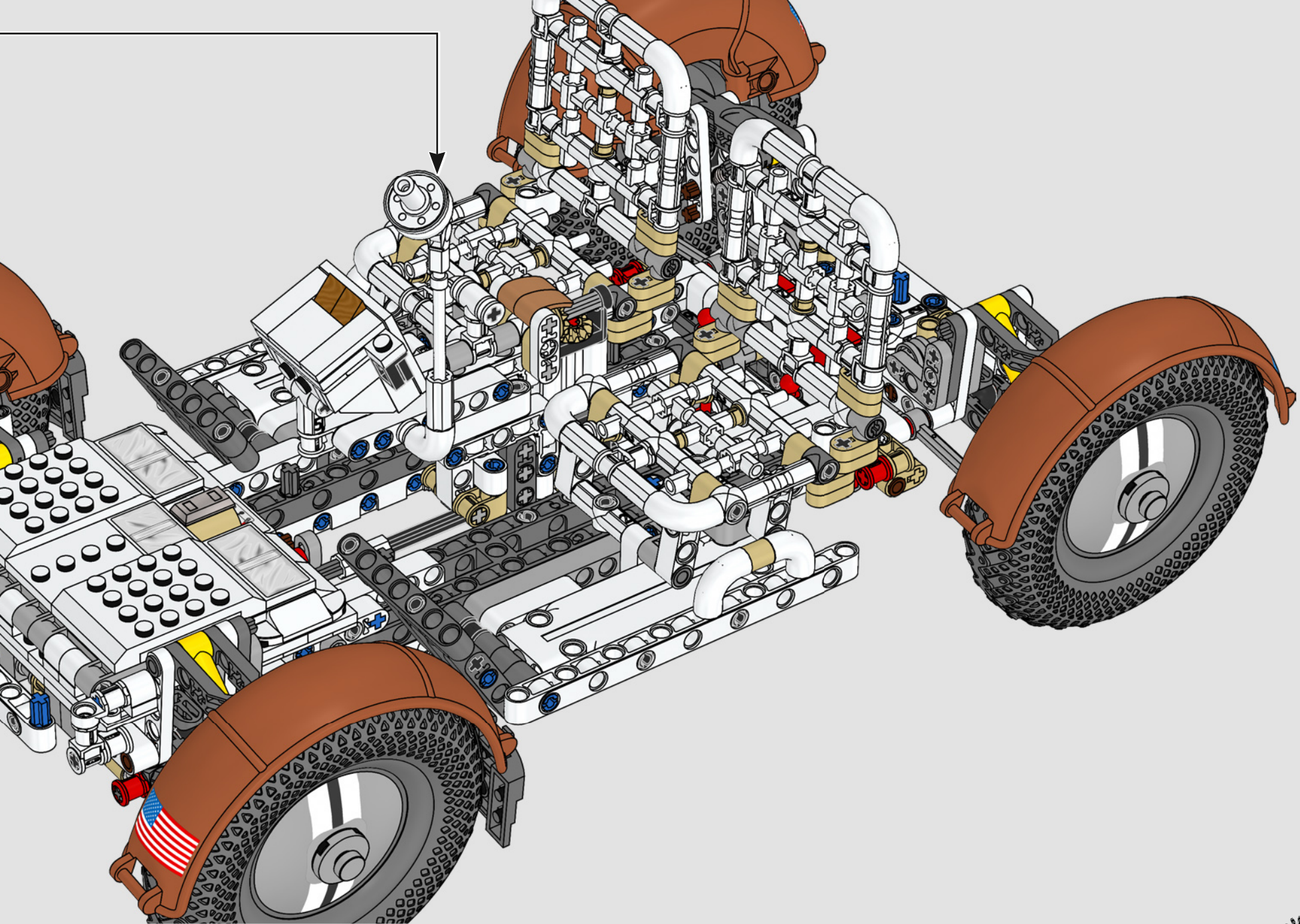


3



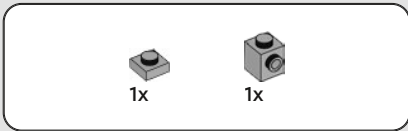
4



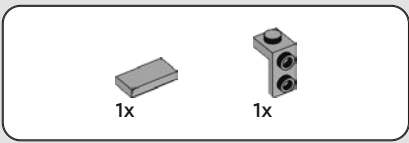




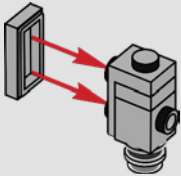
205



206

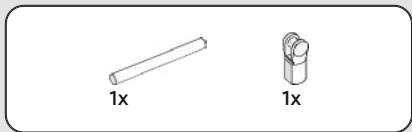


207

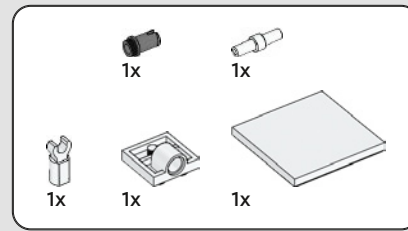
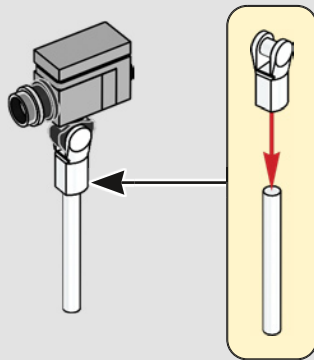


208

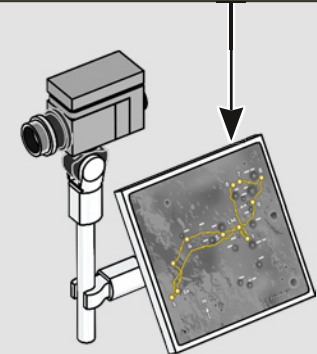
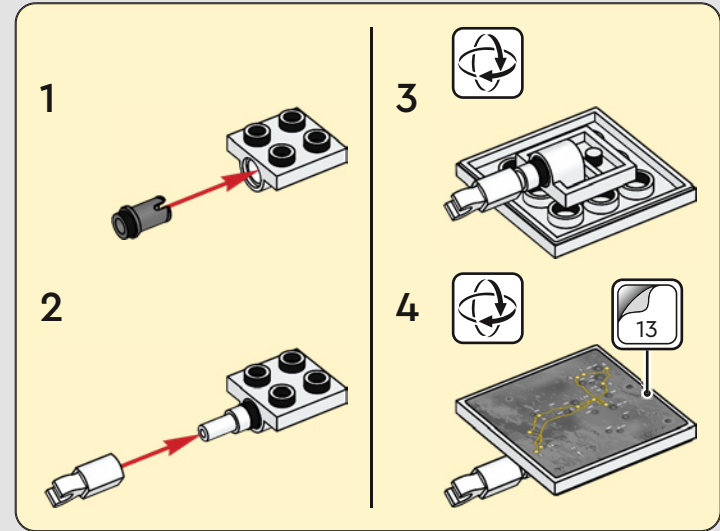




209

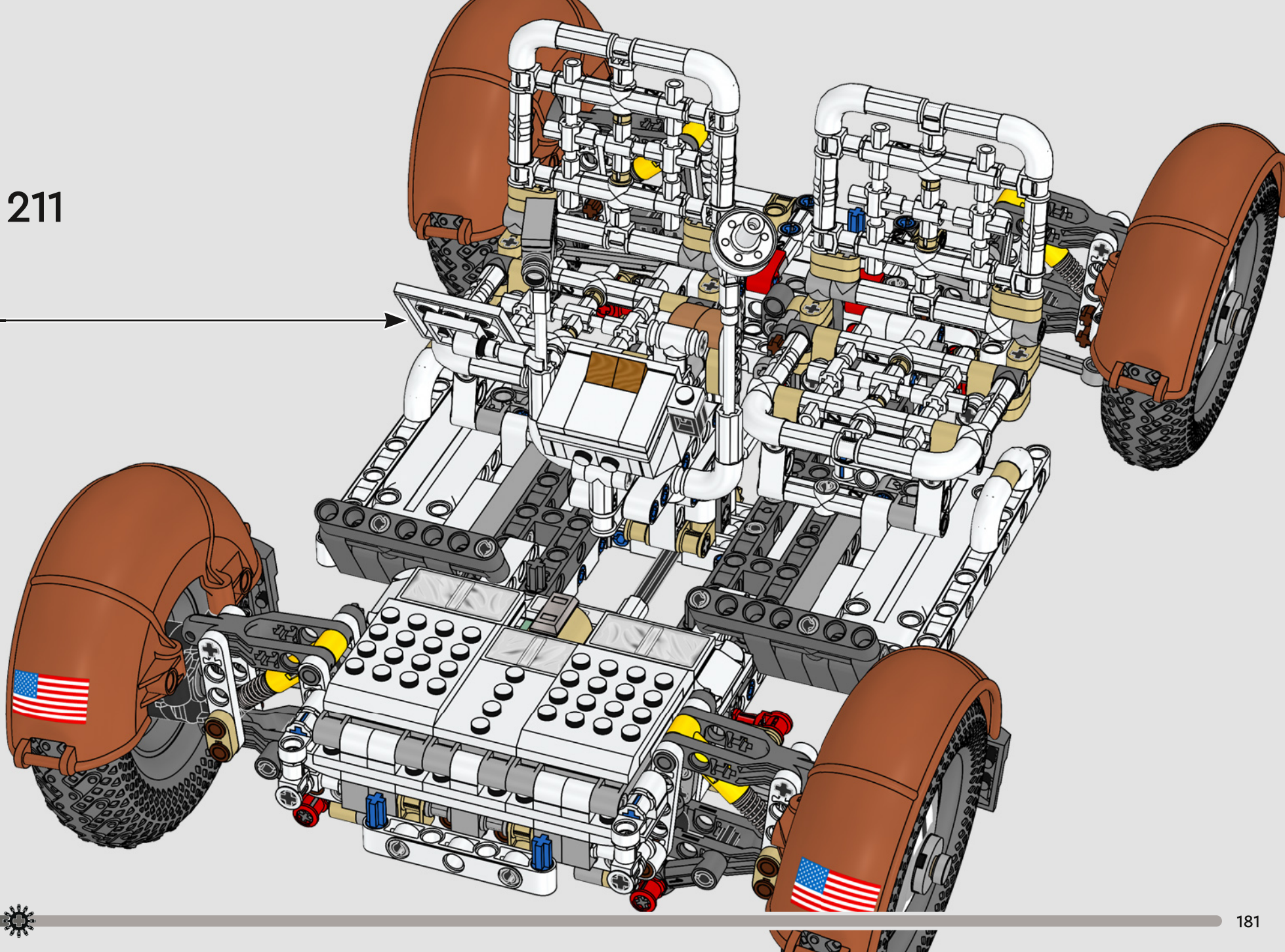


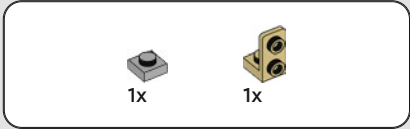
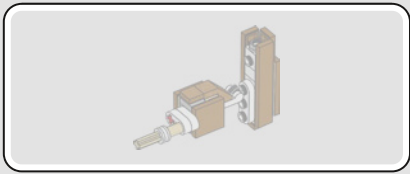
210



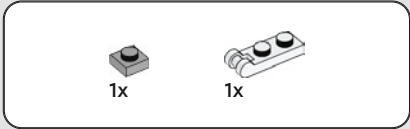


211

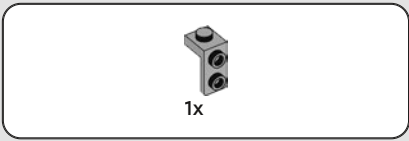
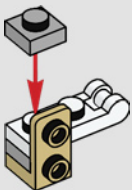




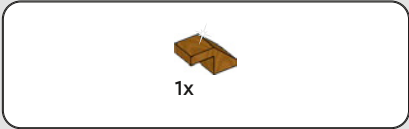
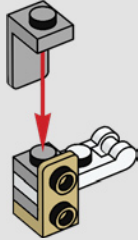
212



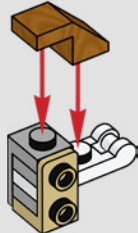
213

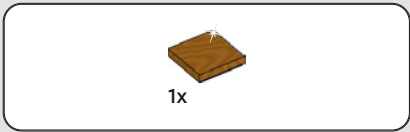


214

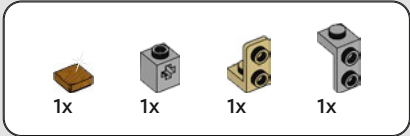
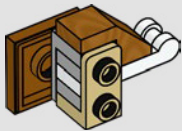


215

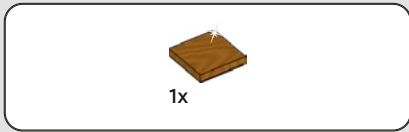
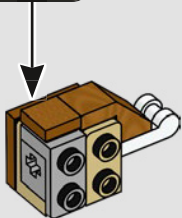
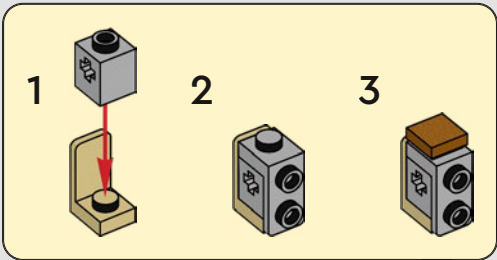




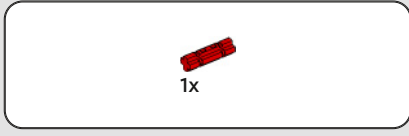
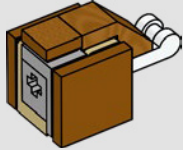
216



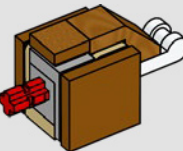
217

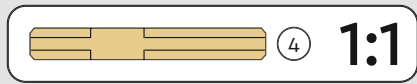
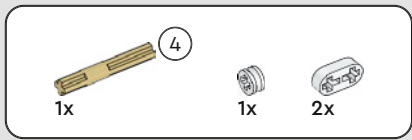


218

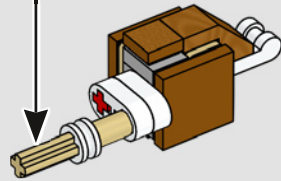
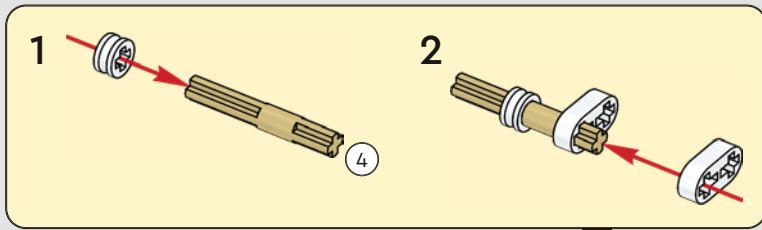


219

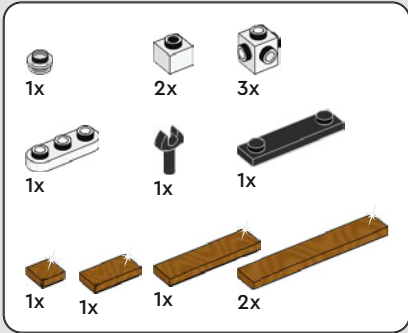
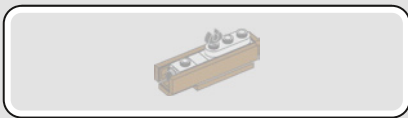




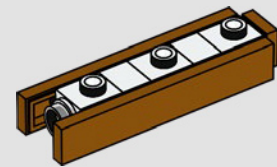
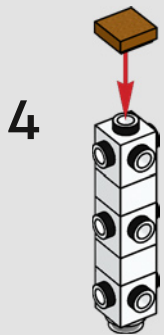
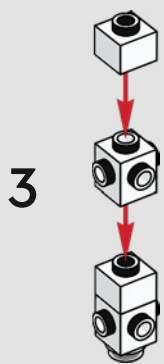
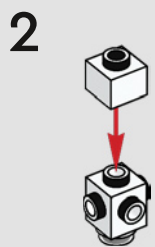
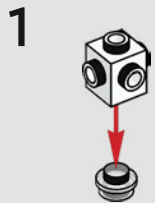
220



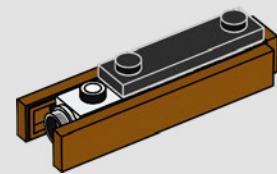




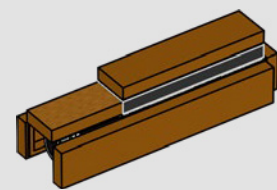
# 221



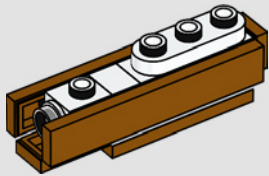
6



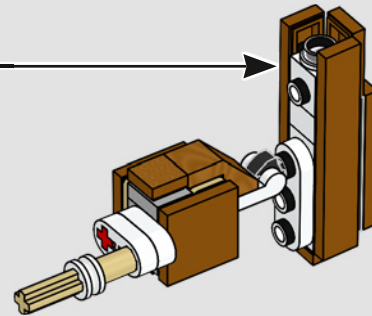
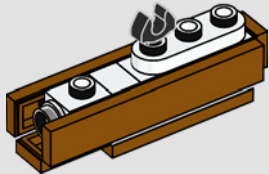
7

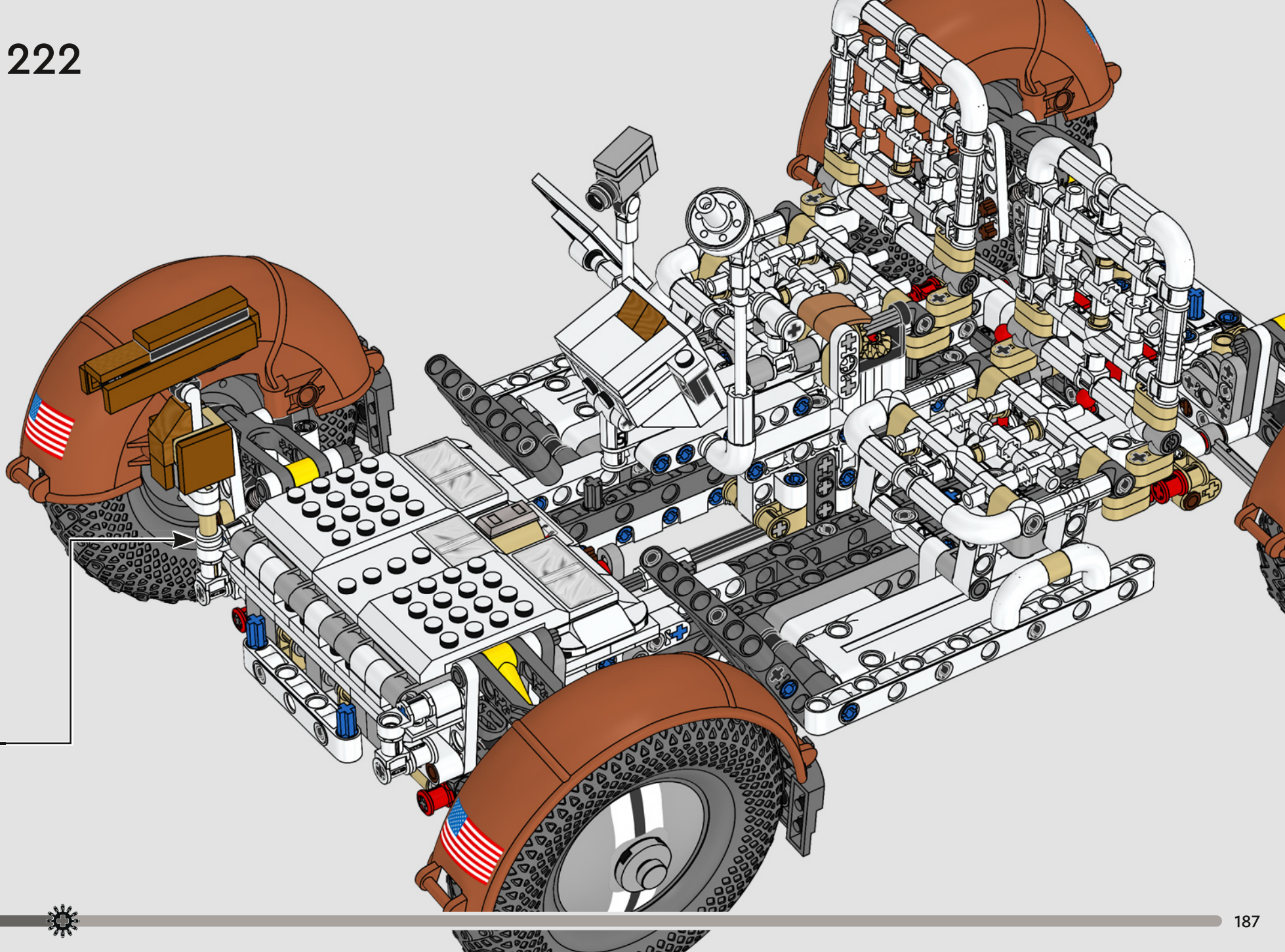


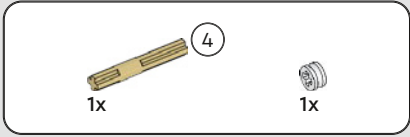
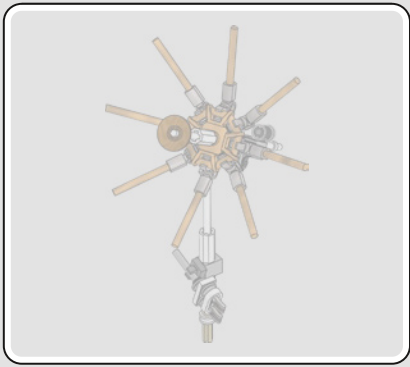
8



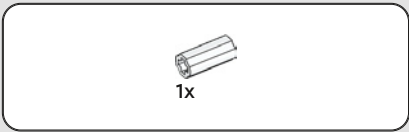
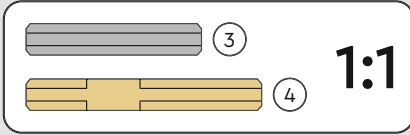
9



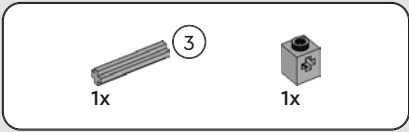




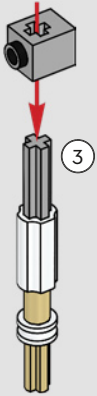
223



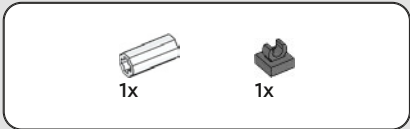
224



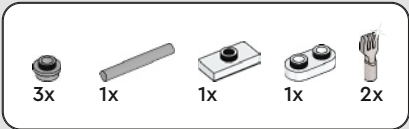
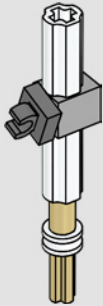
225



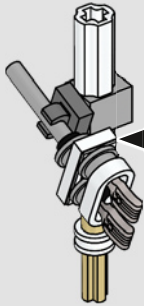
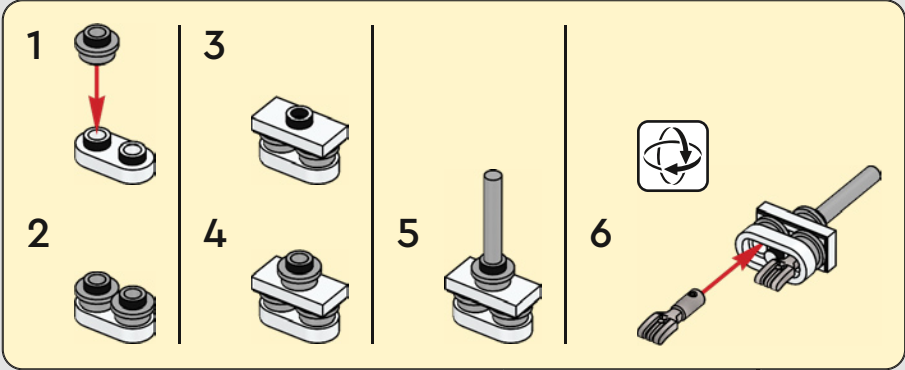


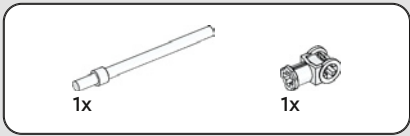


226

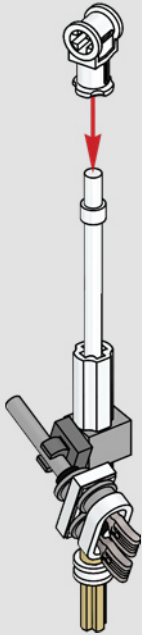


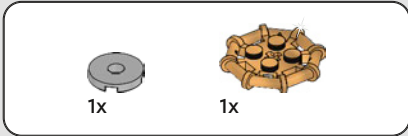
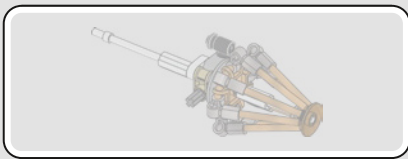
227



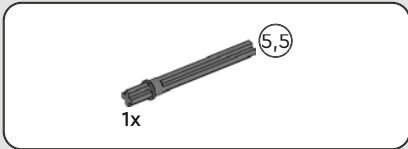
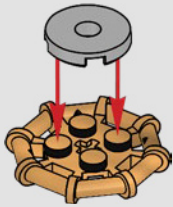


228

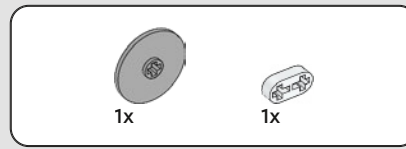
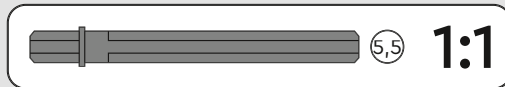
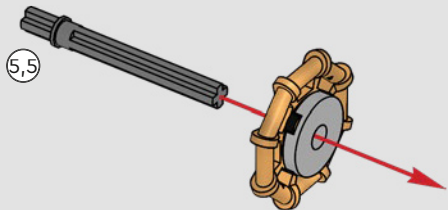




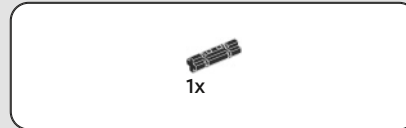
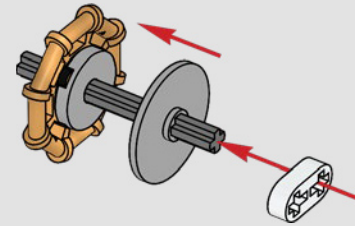
229



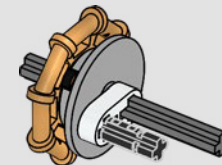
230

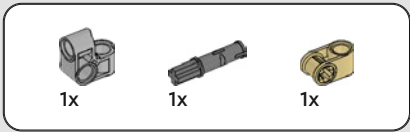


231

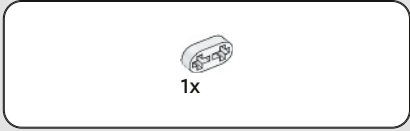
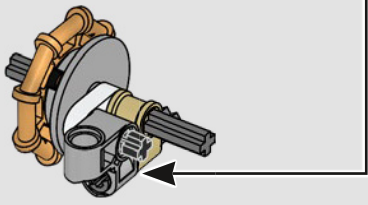
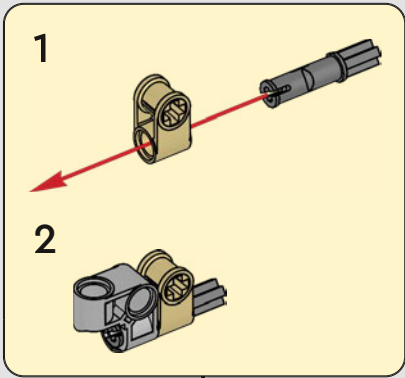


232

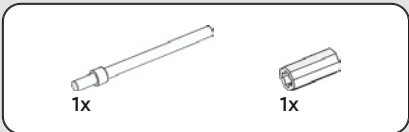
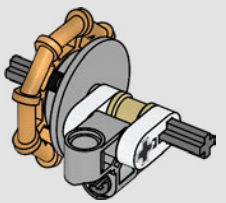




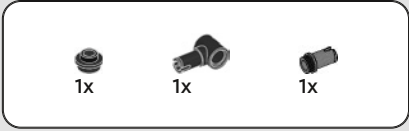
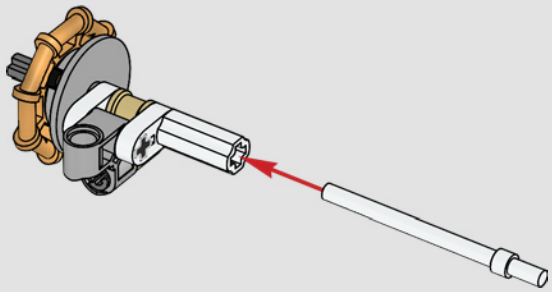
# 233



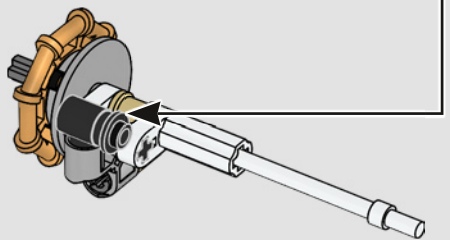
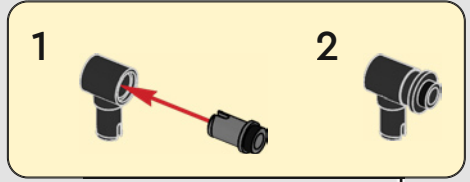
# 234



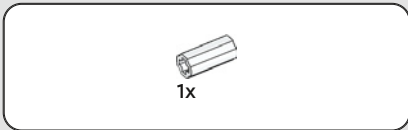
# 235



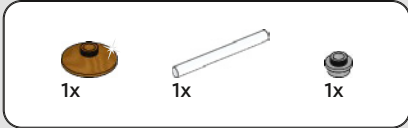
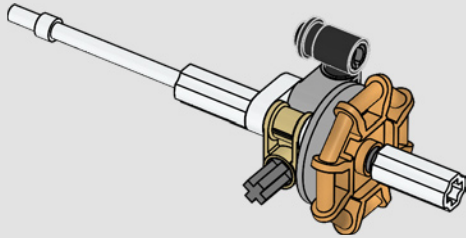
# 236



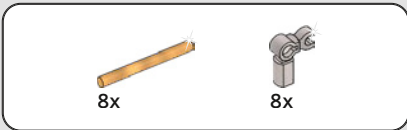
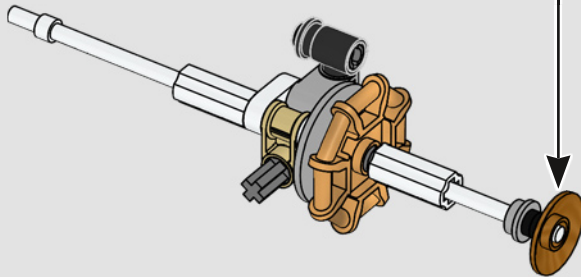
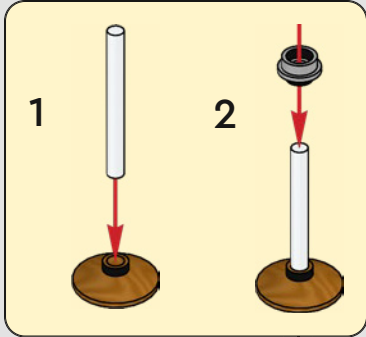




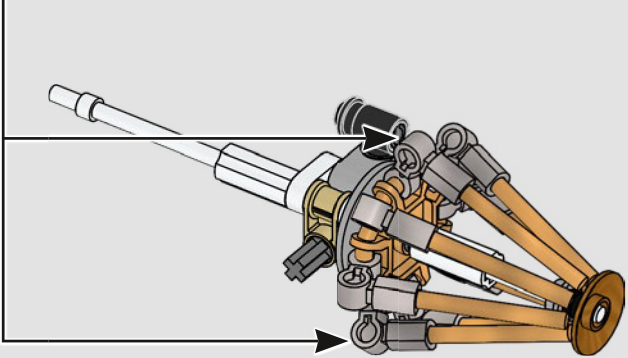
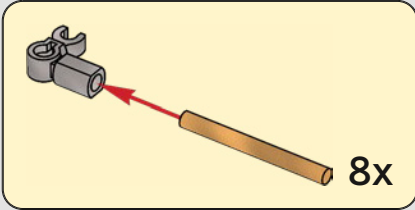
237



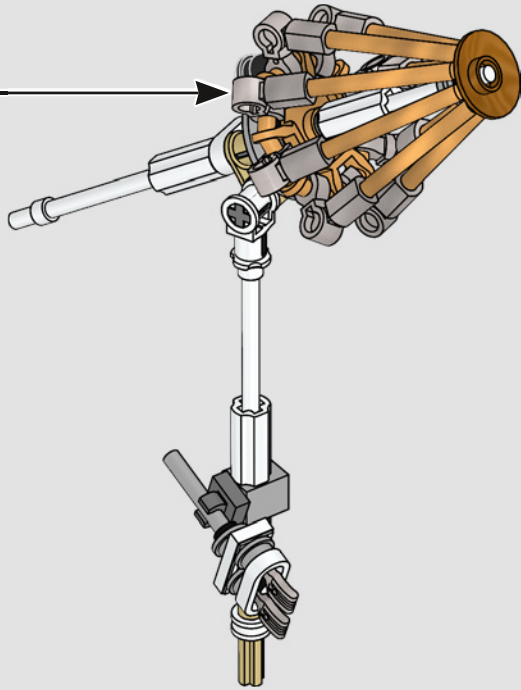
238



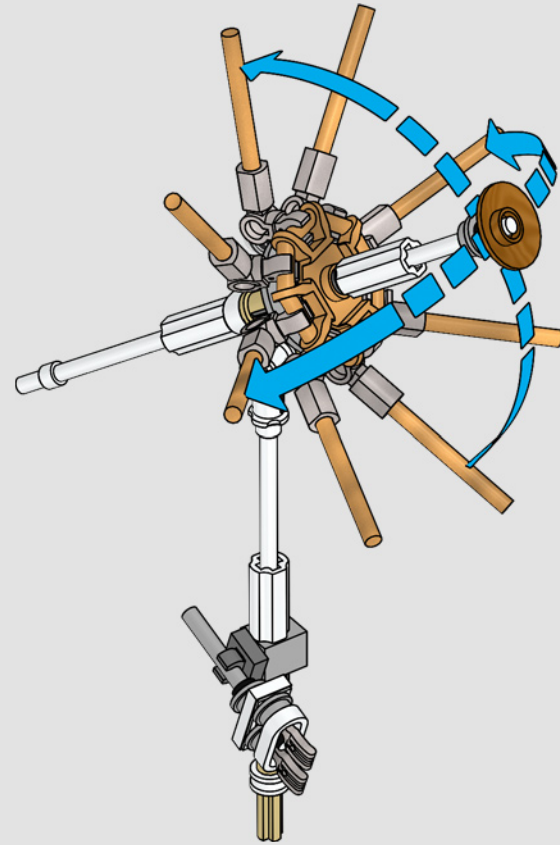
239



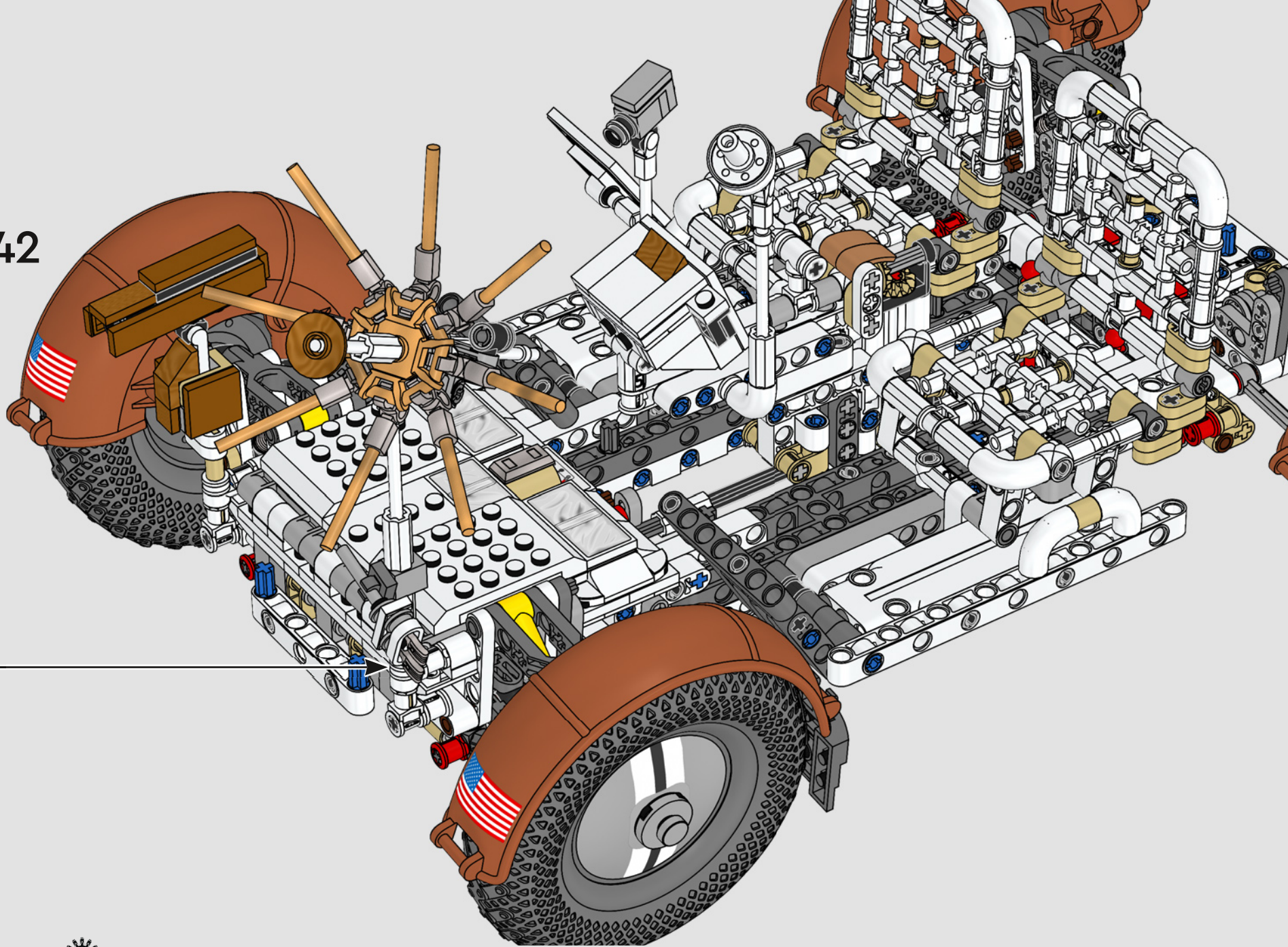
240

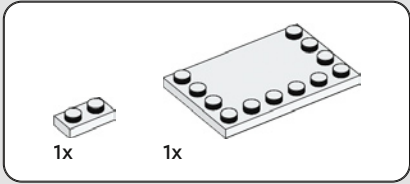
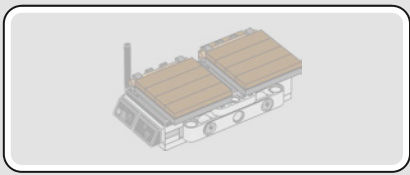


241

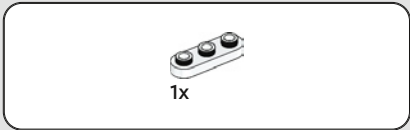
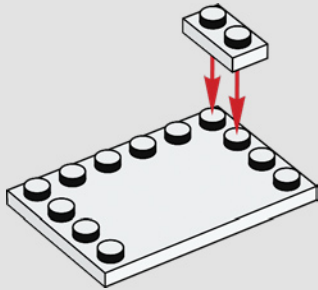


242

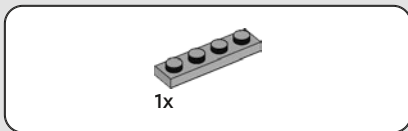
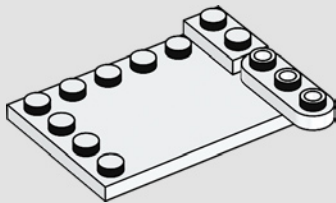




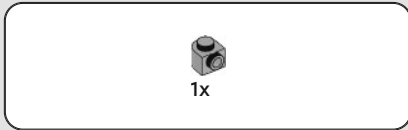
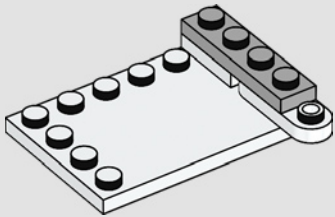
243



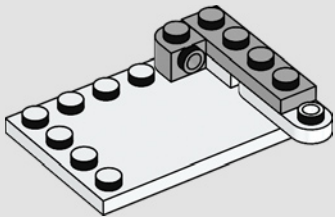
244



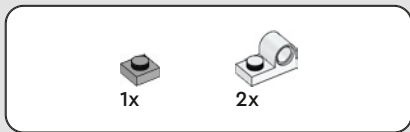
245



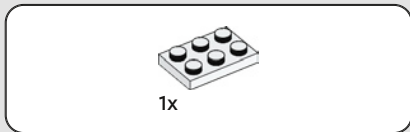
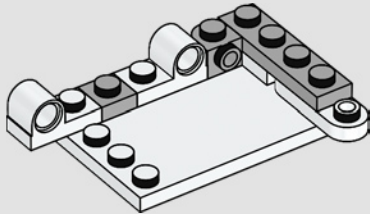
246



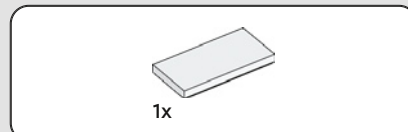
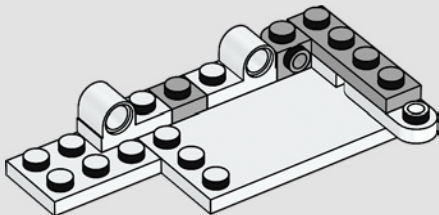




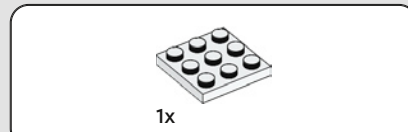
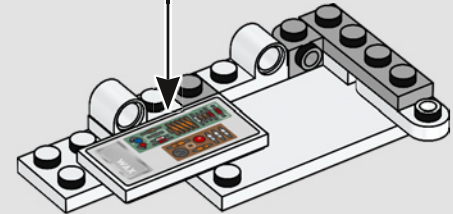
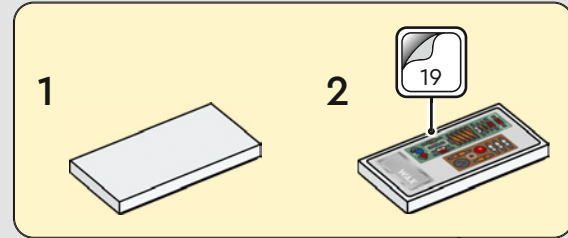
247



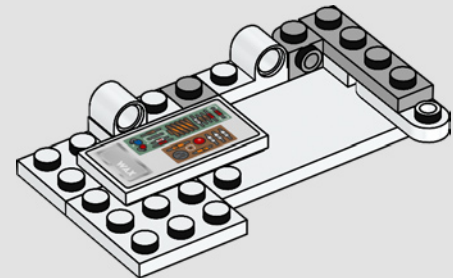
248



249



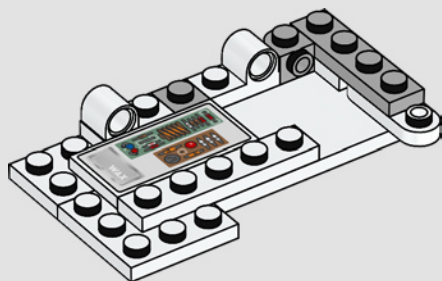
250





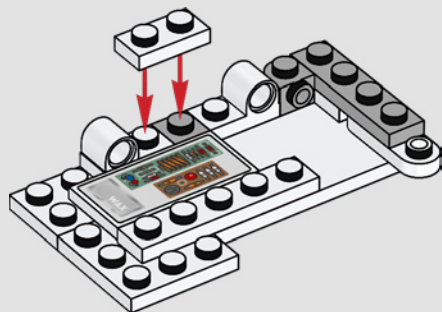
1x

# 251



1x

# 252

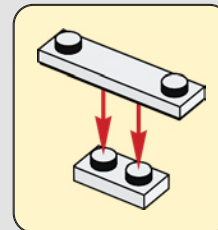
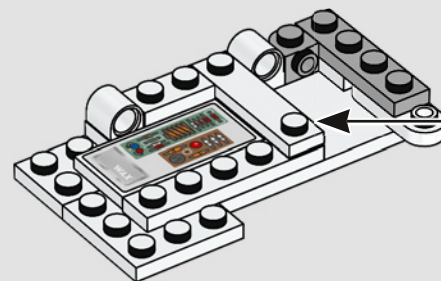


1x



1x

# 253



1x

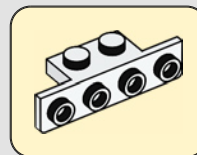
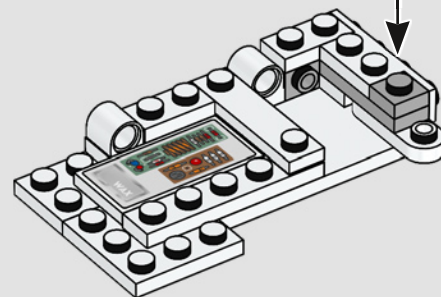


1x



1x

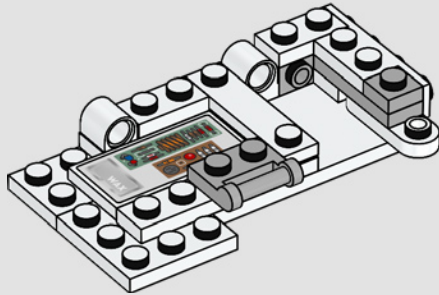
# 254





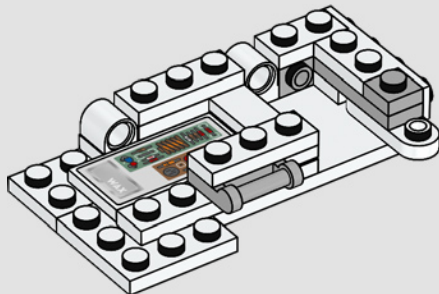
1x

255



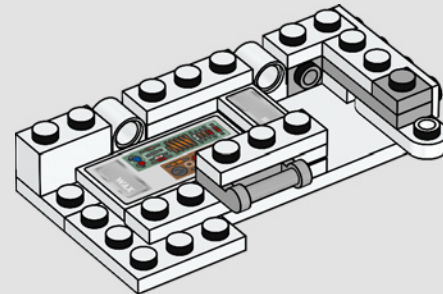
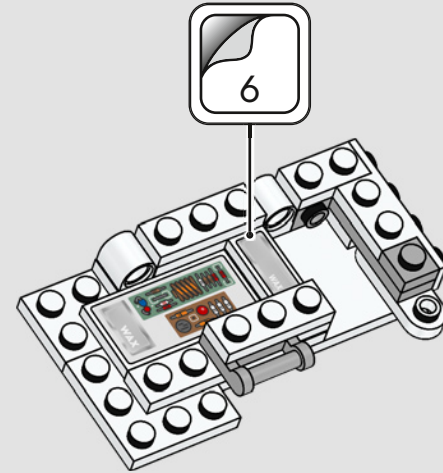
2x

256



1x

257



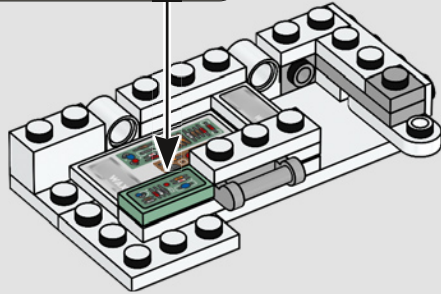
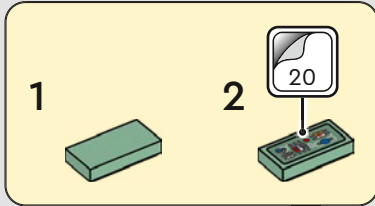
258





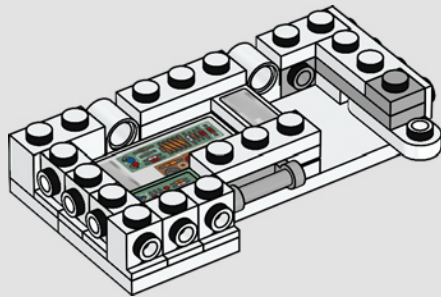
1x

# 259



6x

# 260

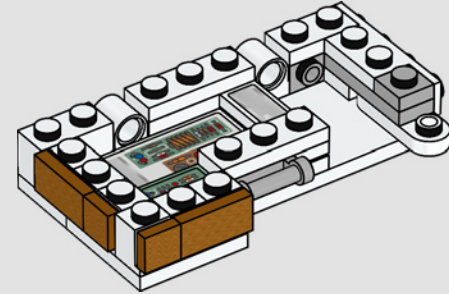


2x



2x

# 261

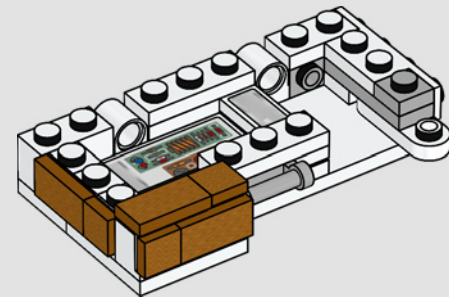


1x

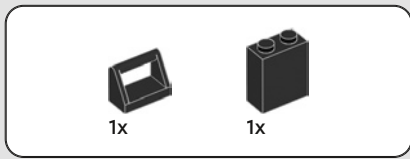


1x

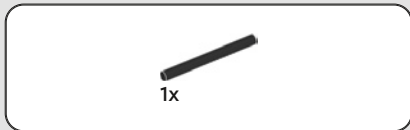
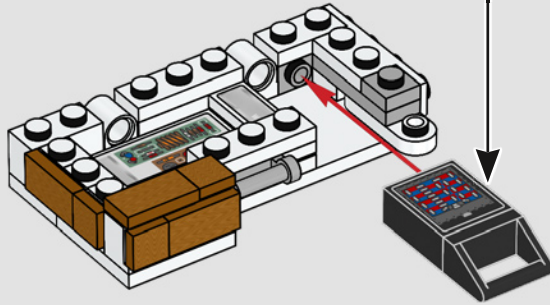
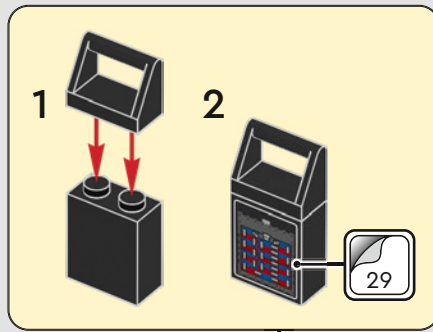
# 262



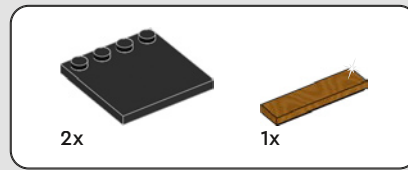
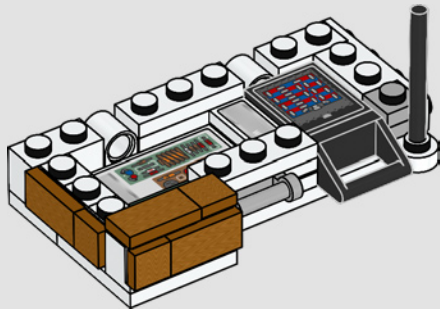




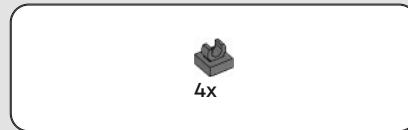
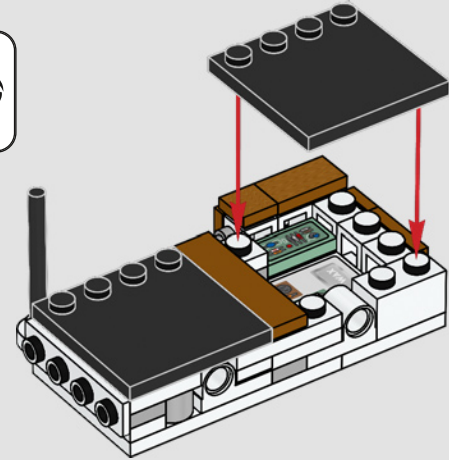
263



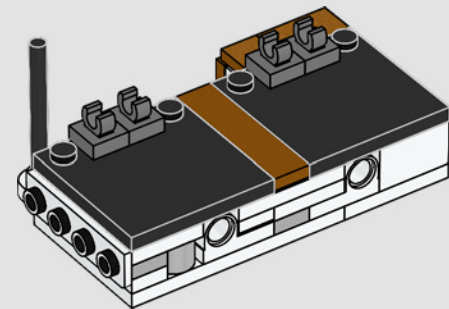
264



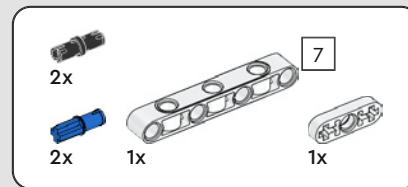
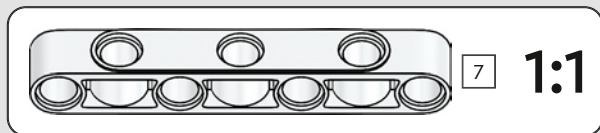
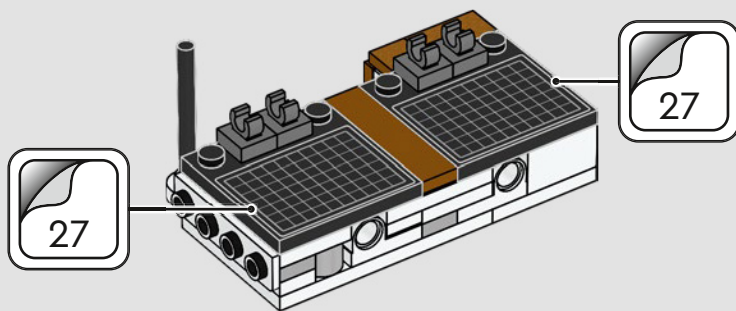
265



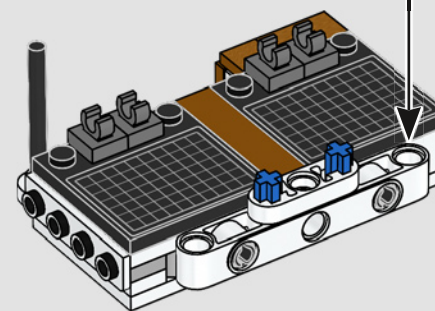
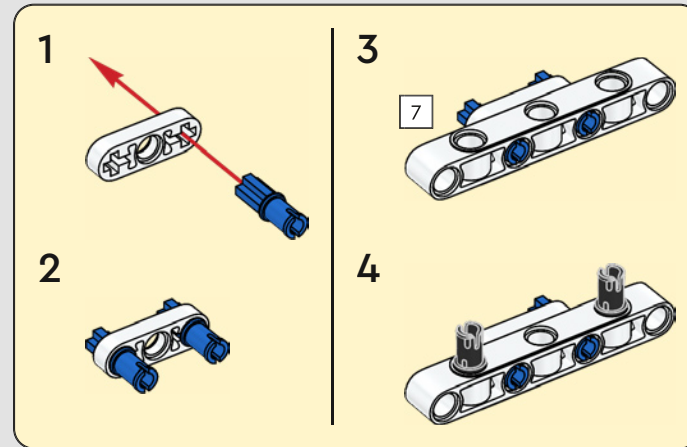
266



# 267



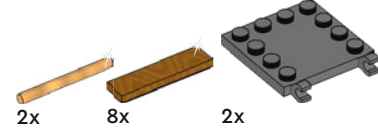
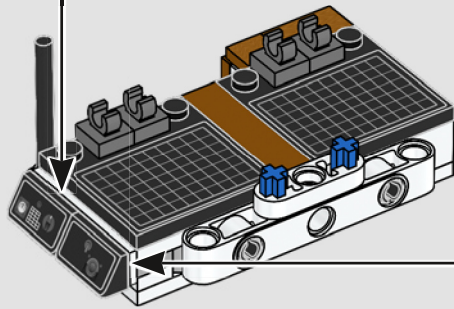
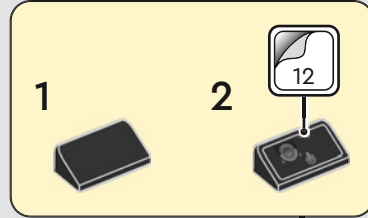
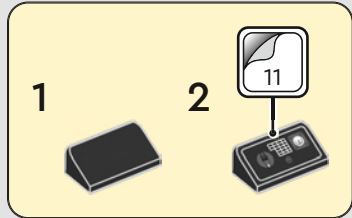
# 268



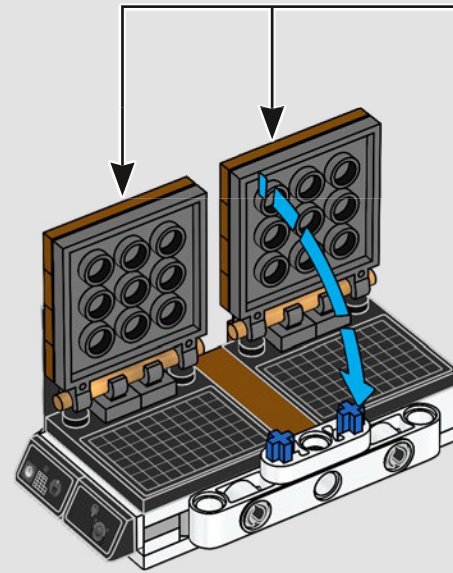
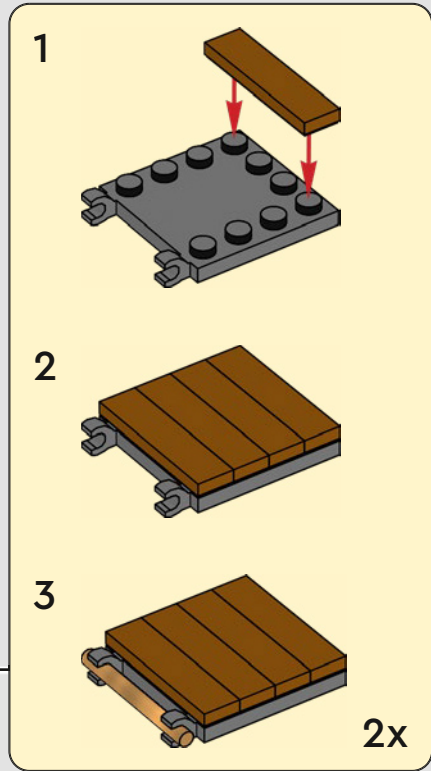


2x

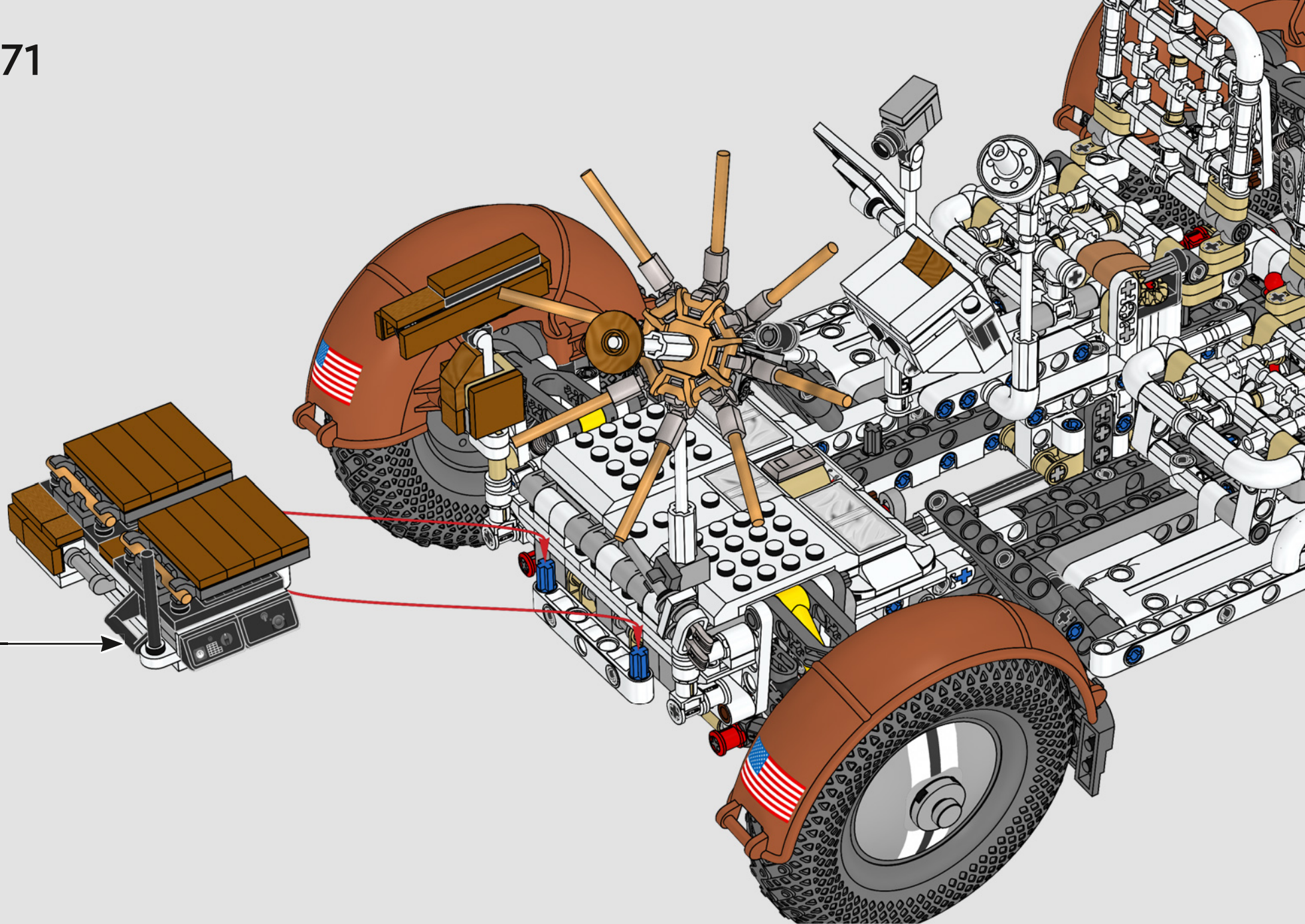
# 269



# 270

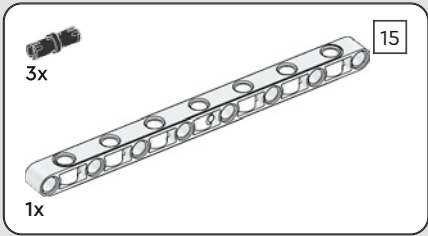
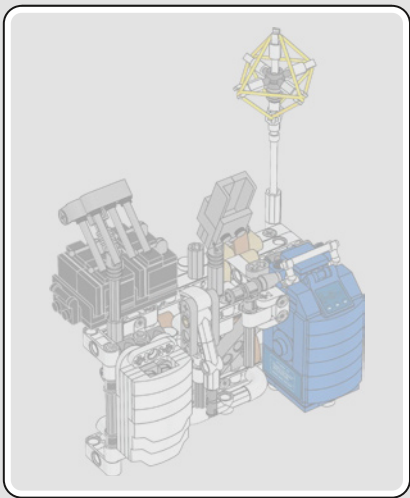




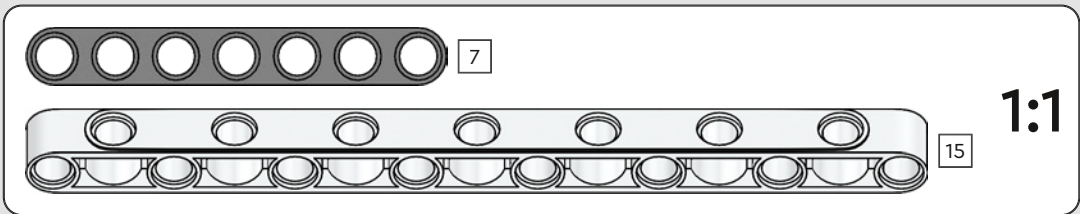
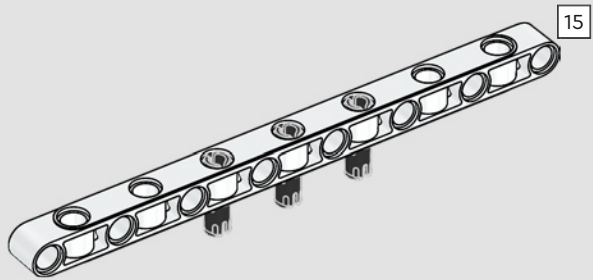




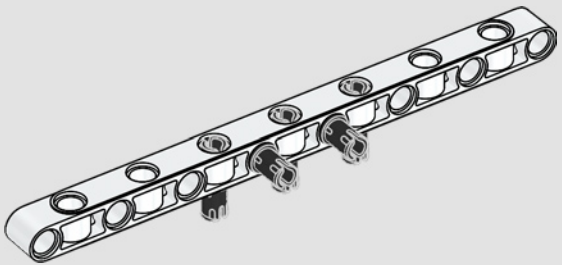


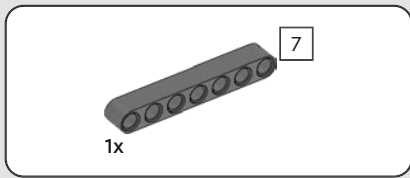


272

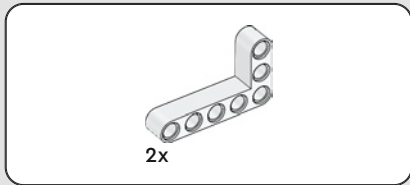
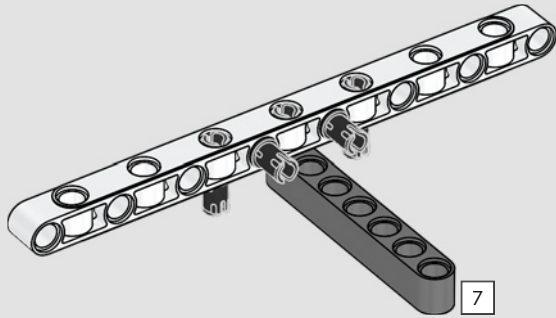


273

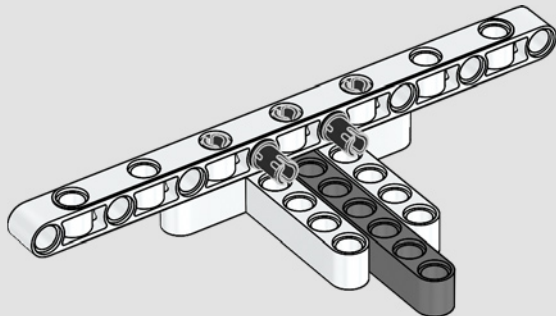




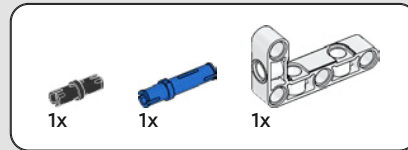
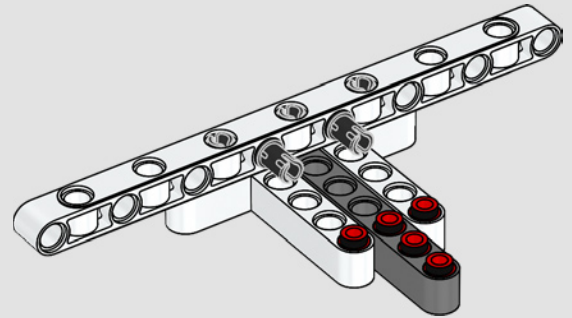
274



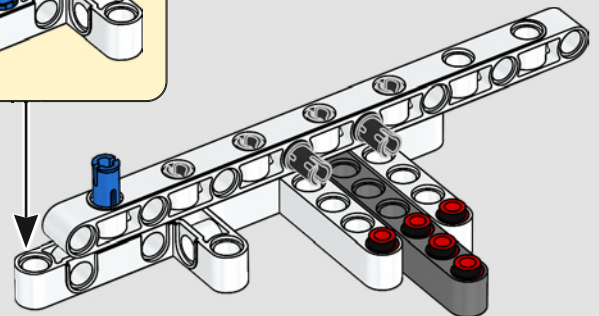
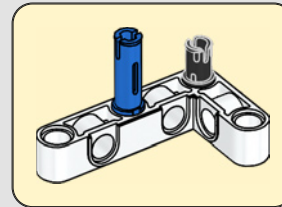
275



276



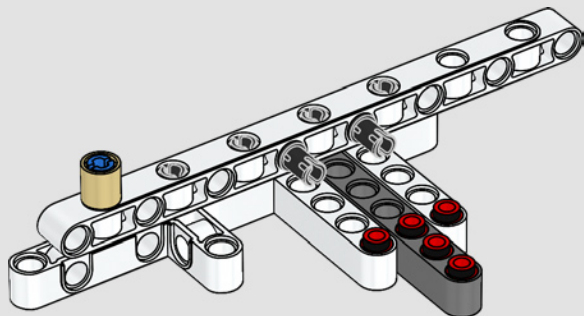
277





1x

# 278

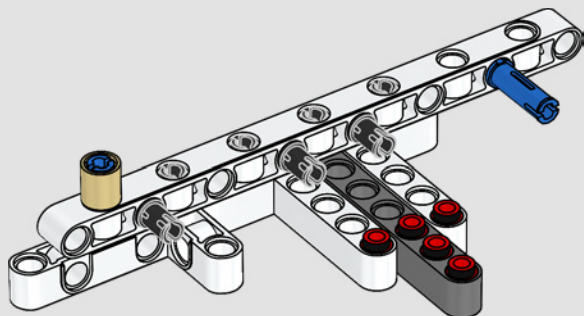


1x



1x

# 279



2x



2x

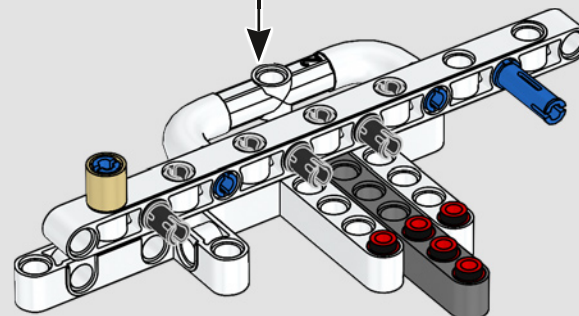
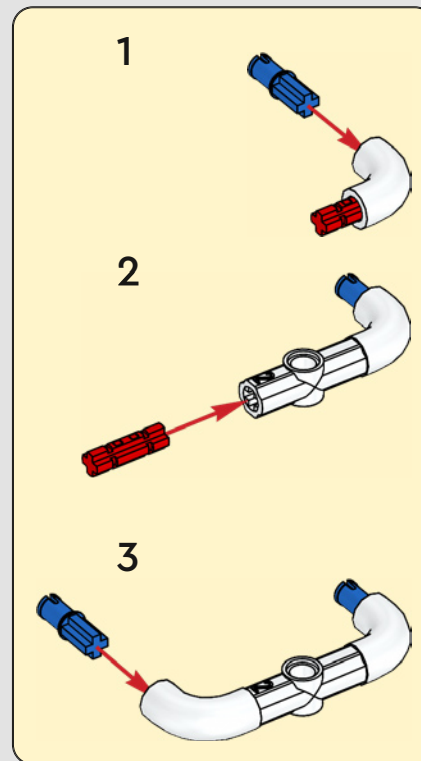


2x

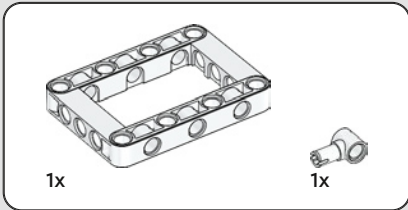
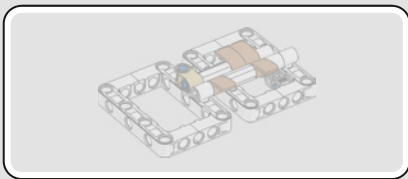


1x

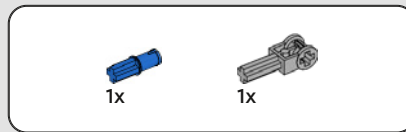
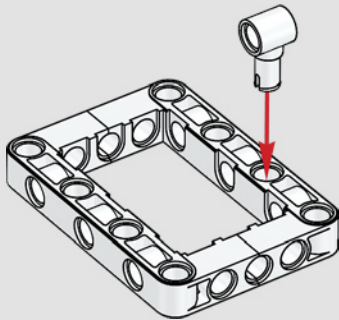
# 280



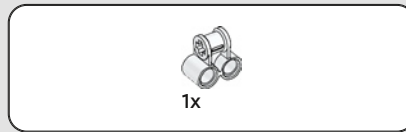
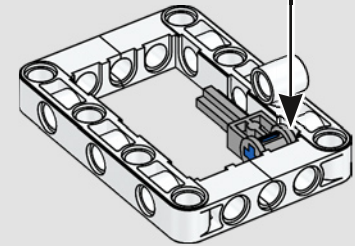
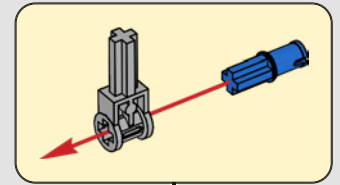




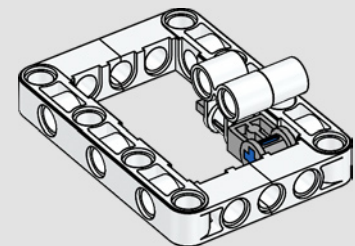
281

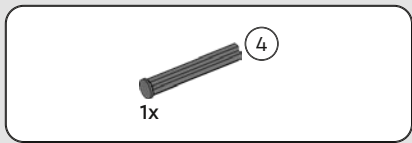


282

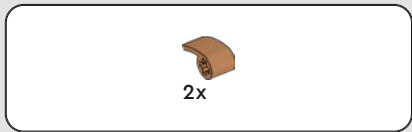
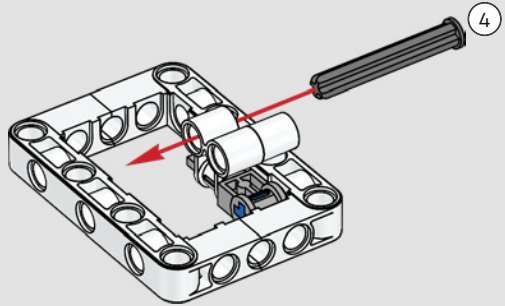


283

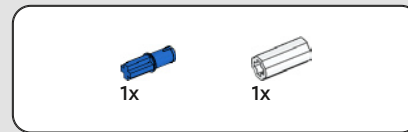
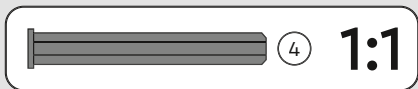
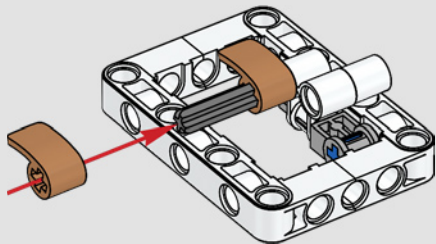




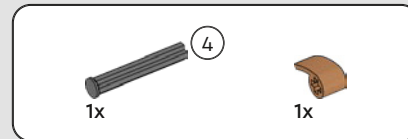
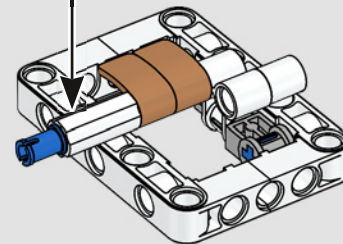
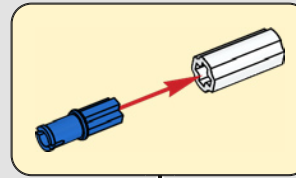
284



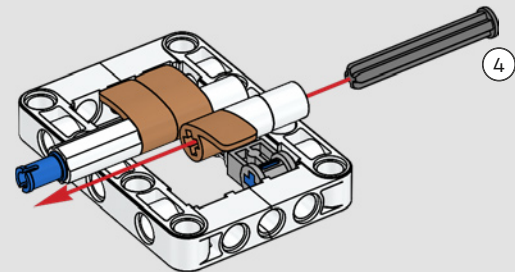
285

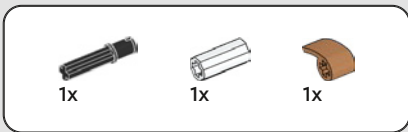


286

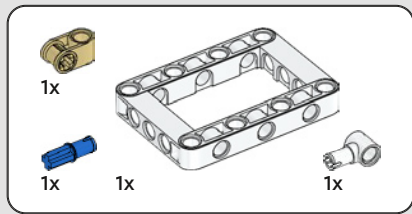
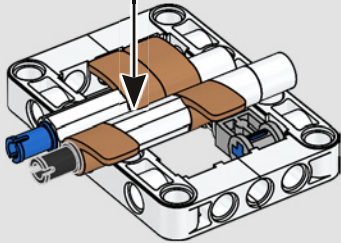
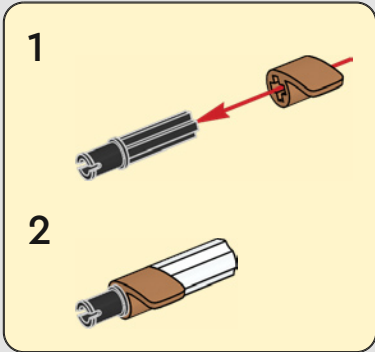


287

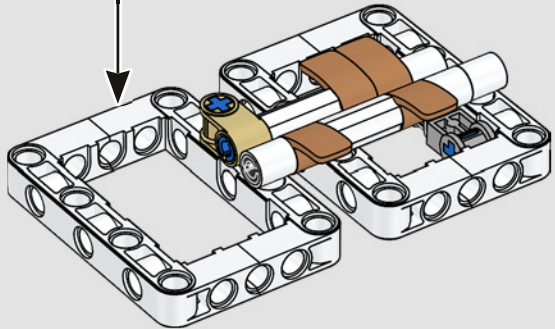
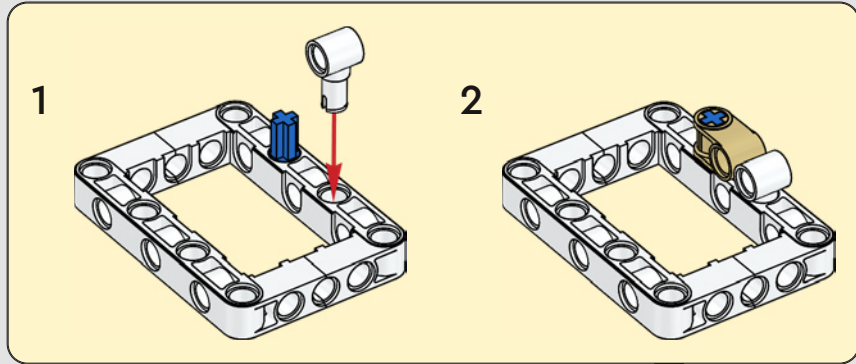




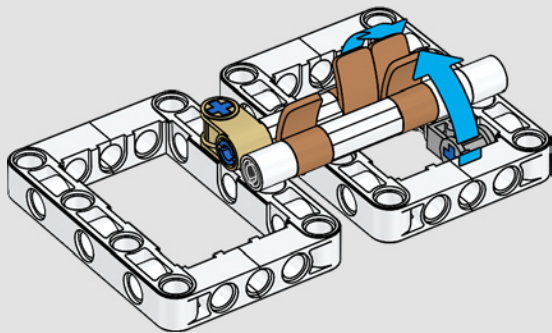
288



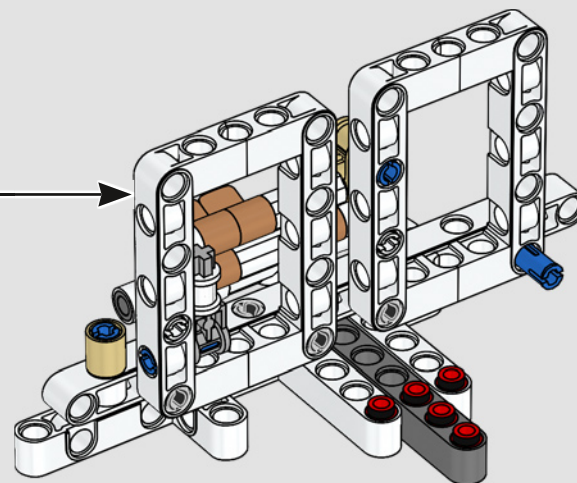
289



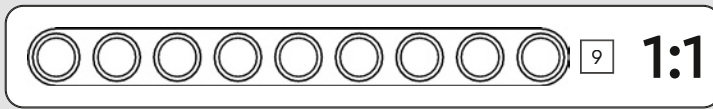
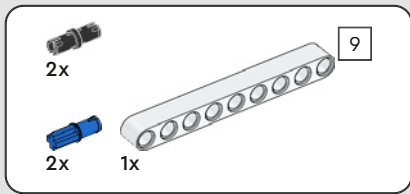
290



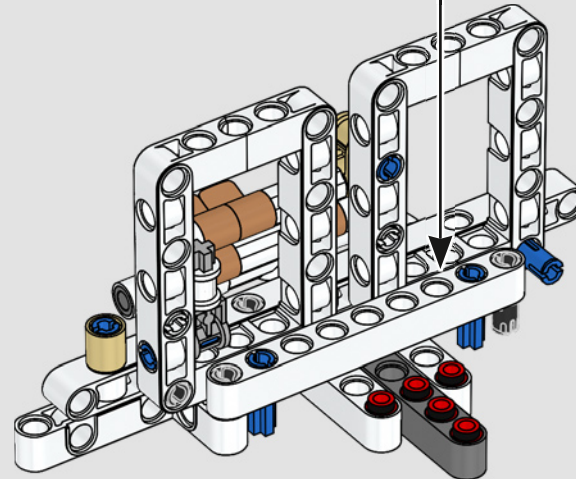
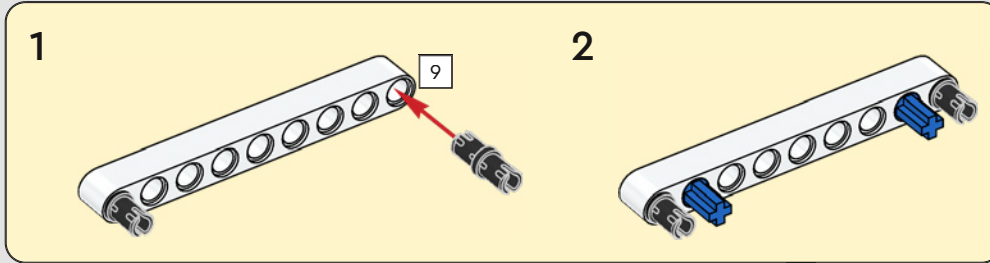
291

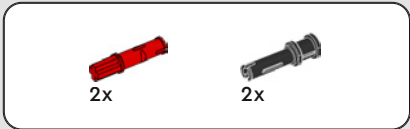




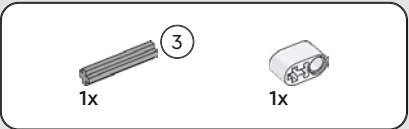
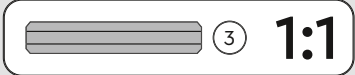
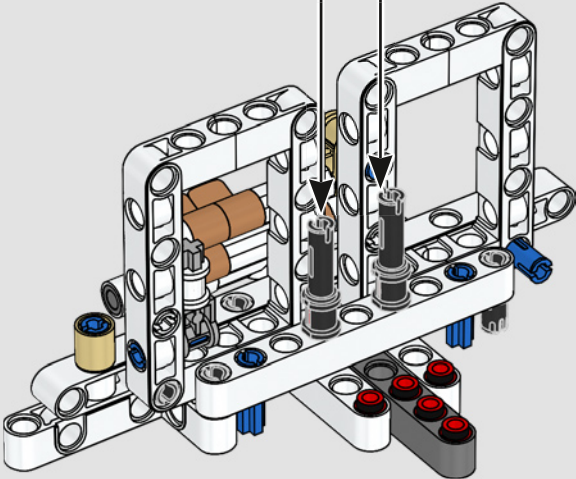
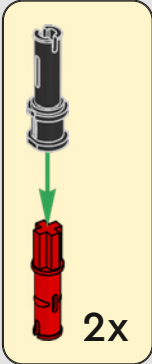


292

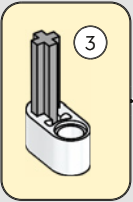
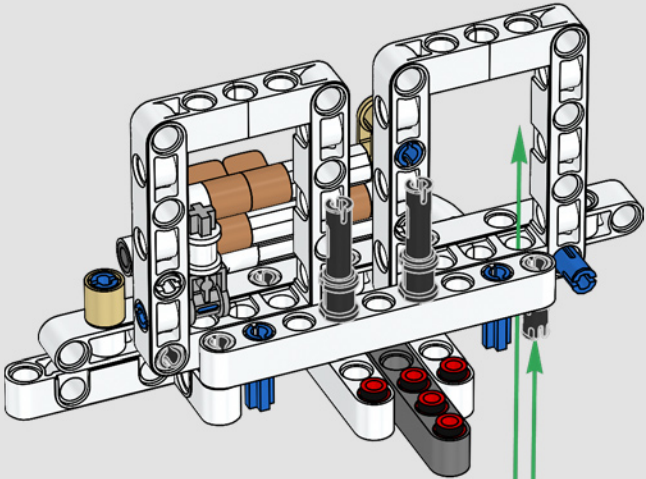


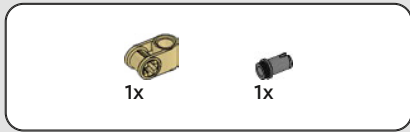


293

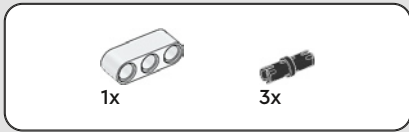
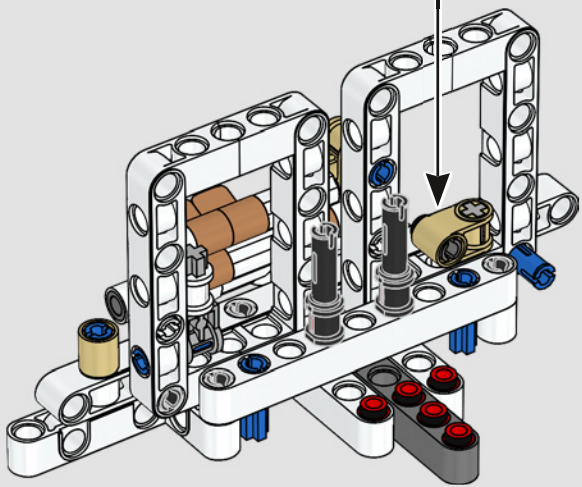
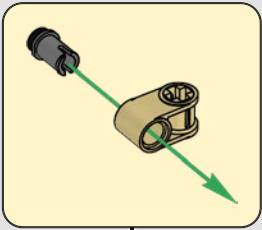


294

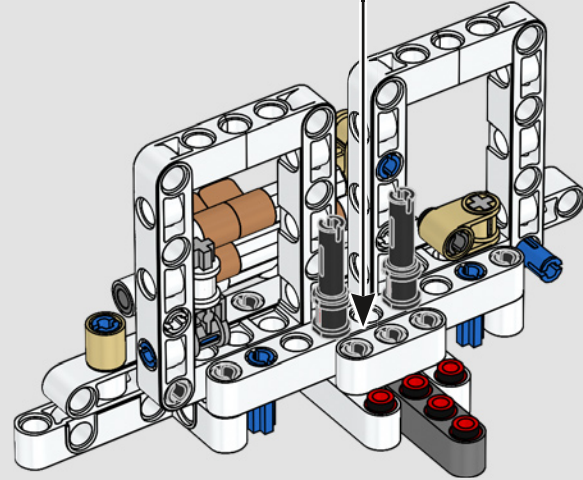
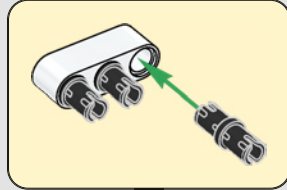




295



296



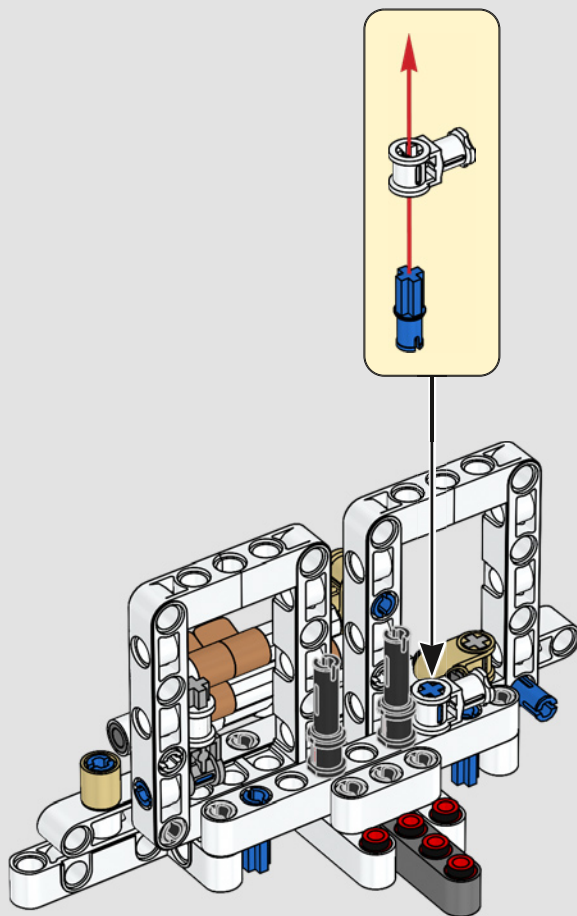


1x

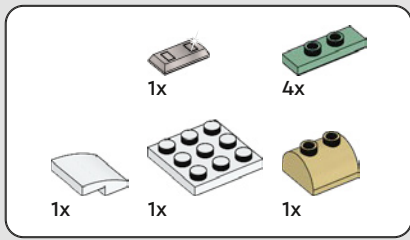


1x

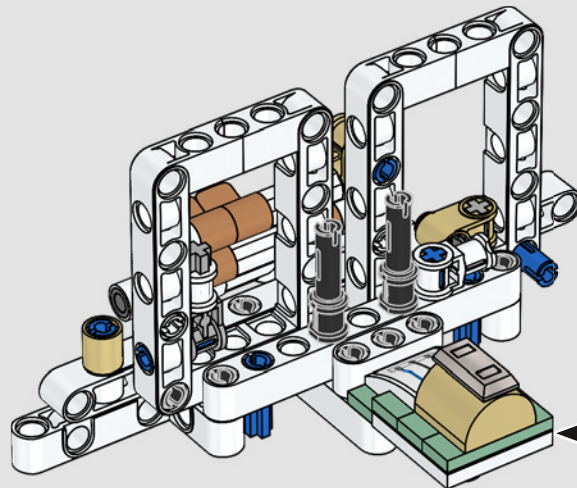
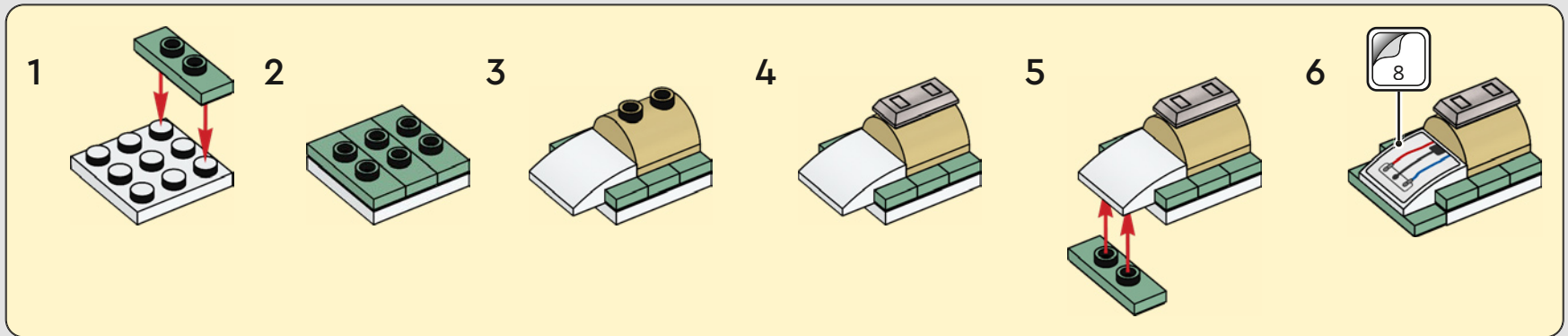
297

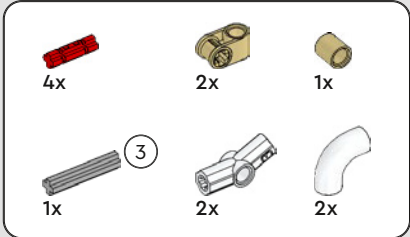
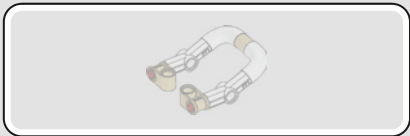




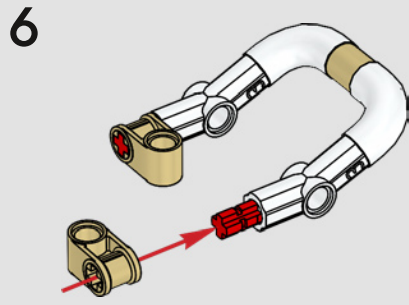
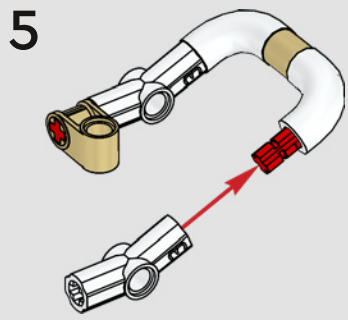
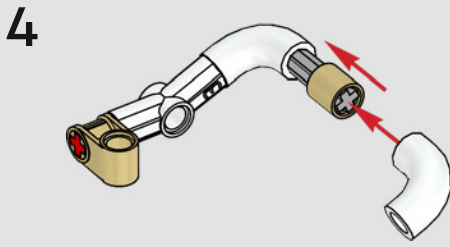
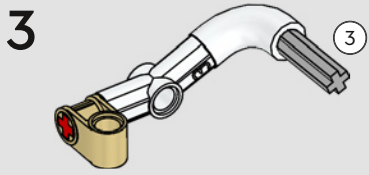
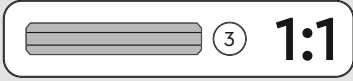
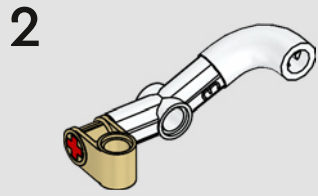
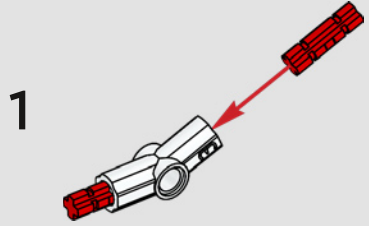


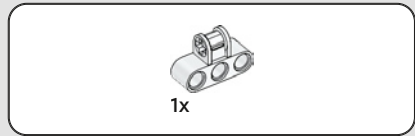
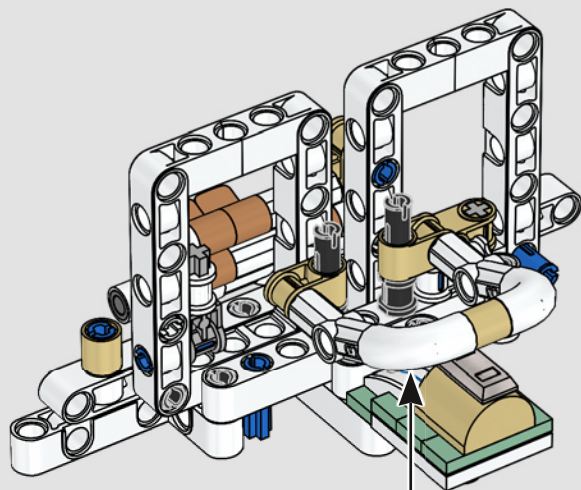
298



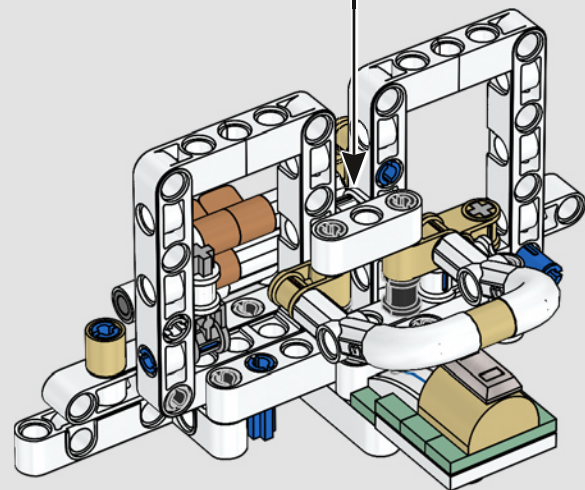


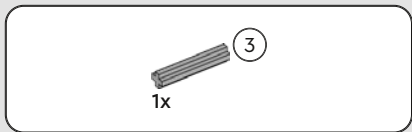
299



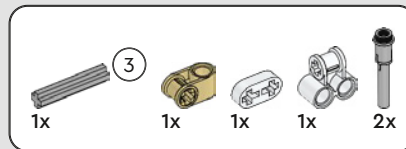
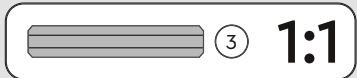
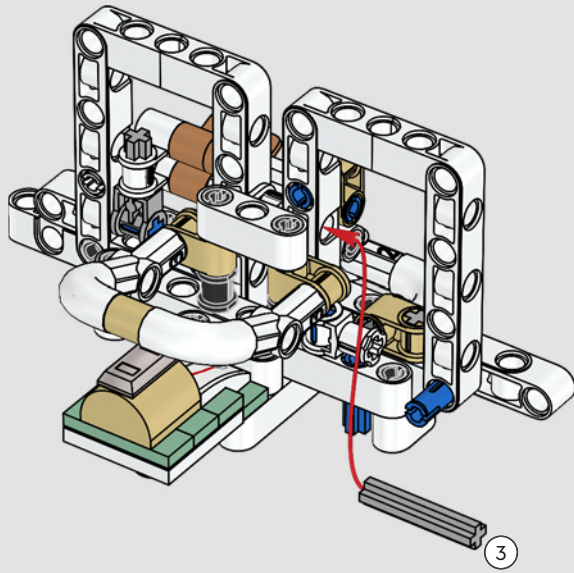


300

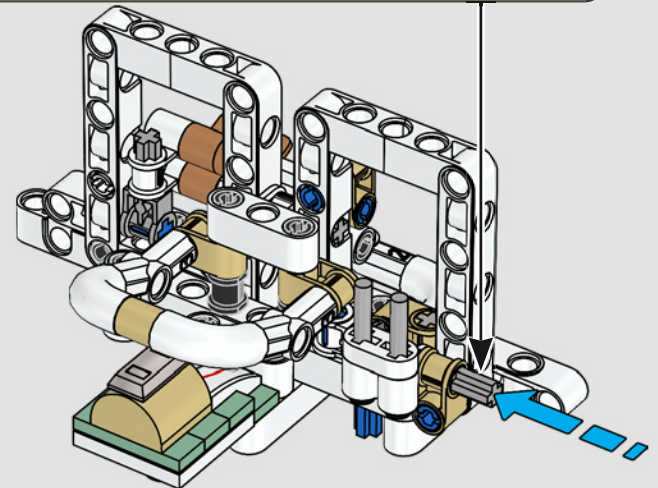
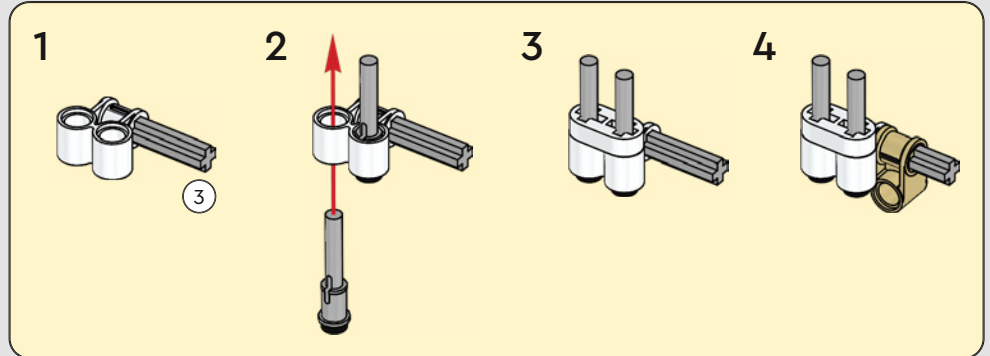




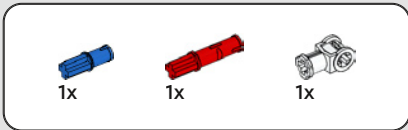
301



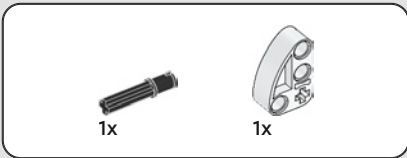
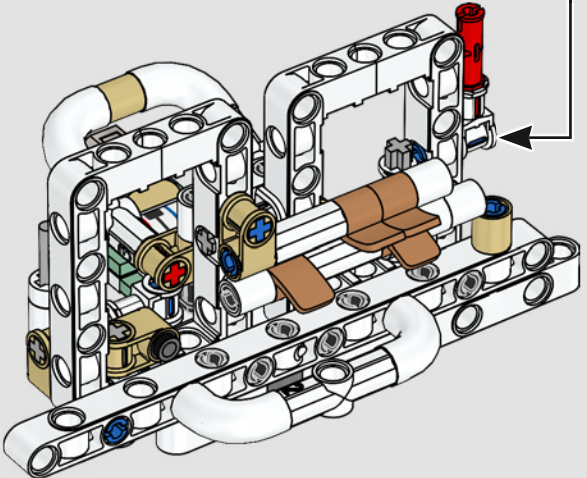
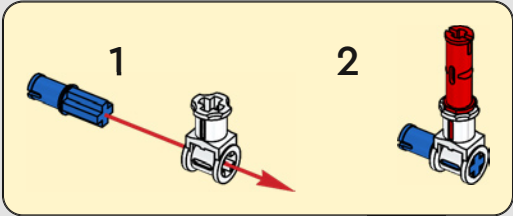
302



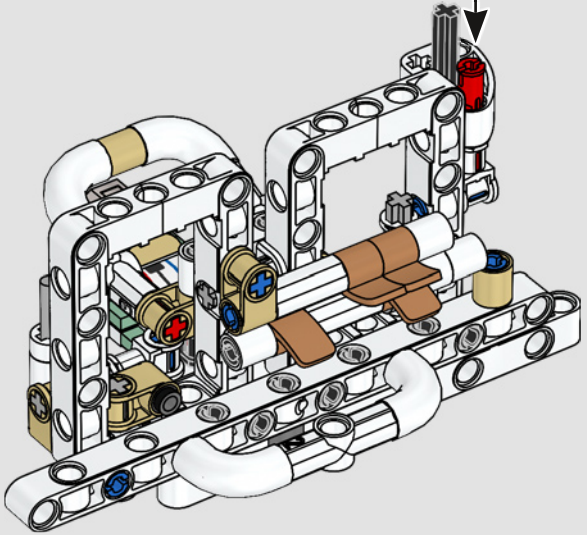
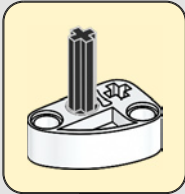


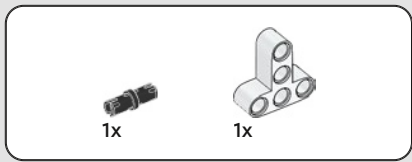


# 303

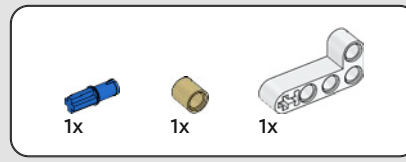
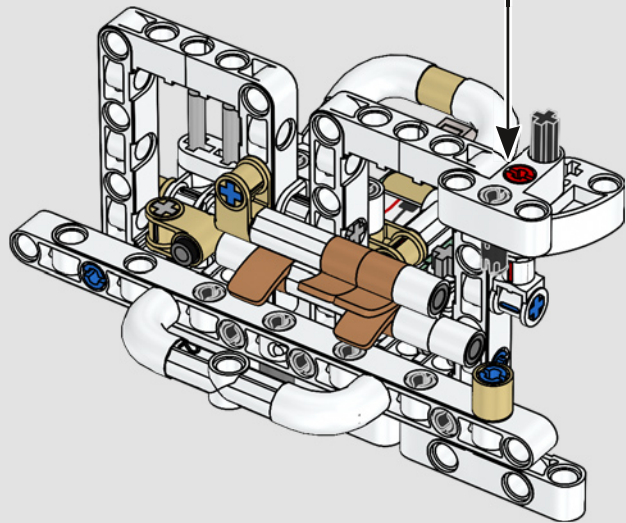
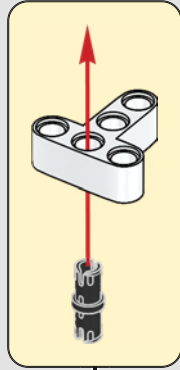


# 304

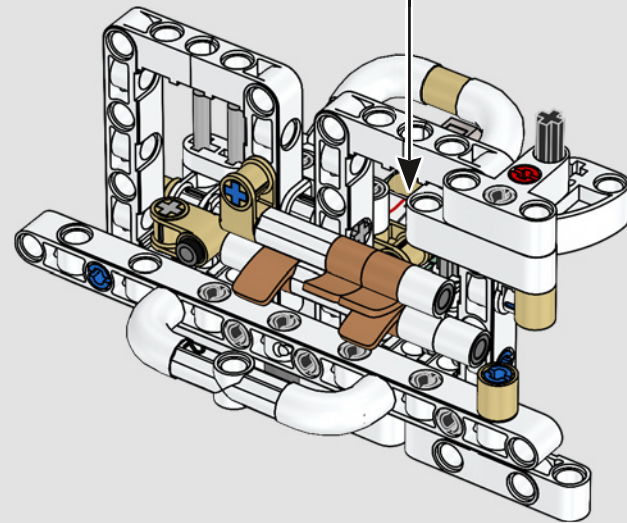
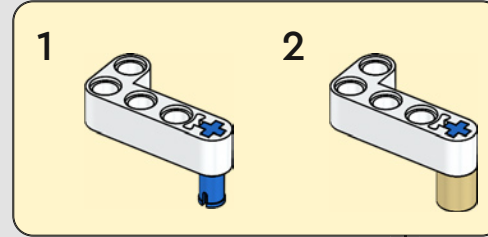


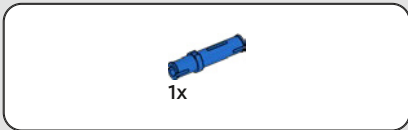


305

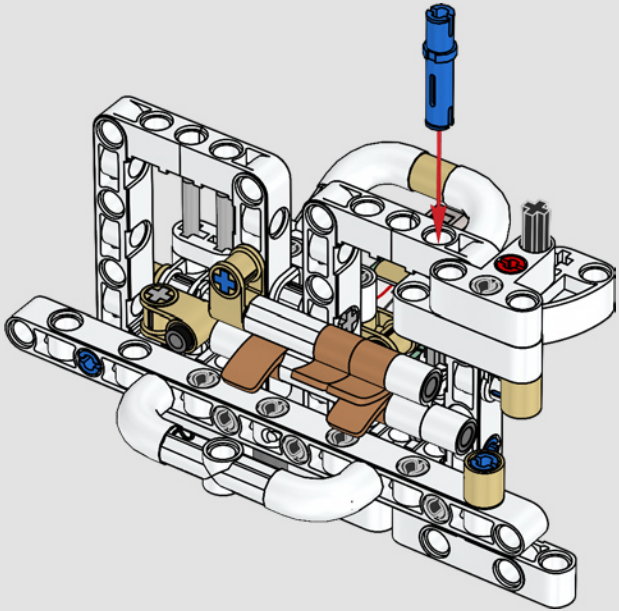


306

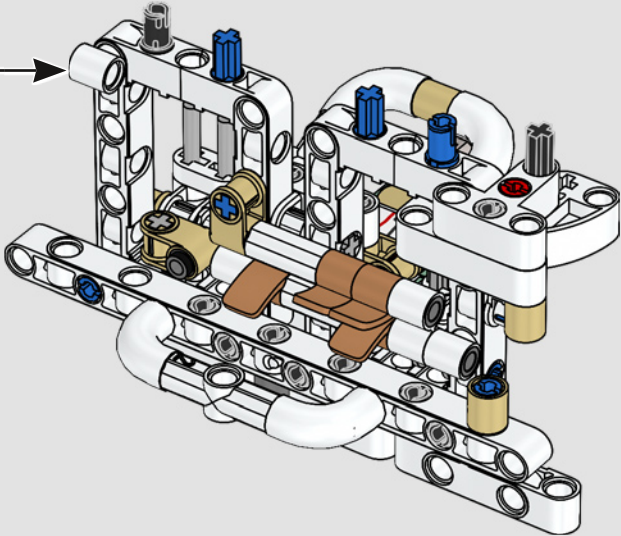




307



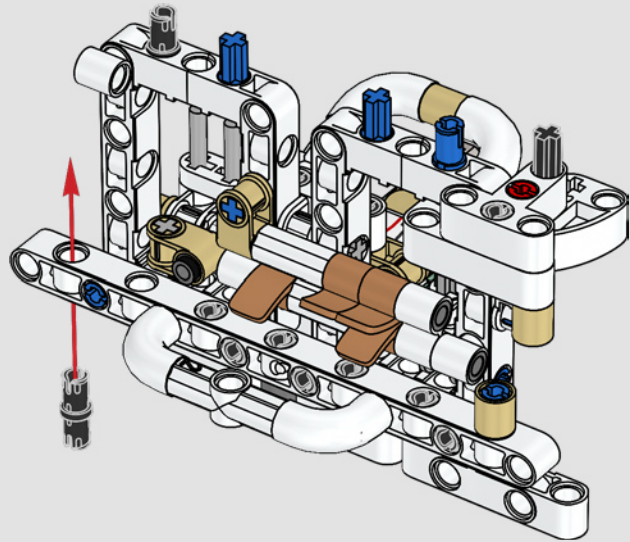
308





1x

# 309

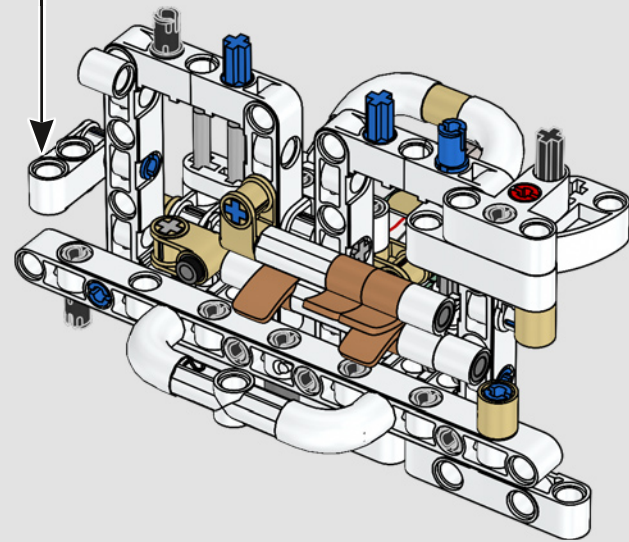
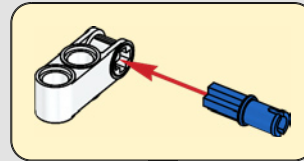


1x

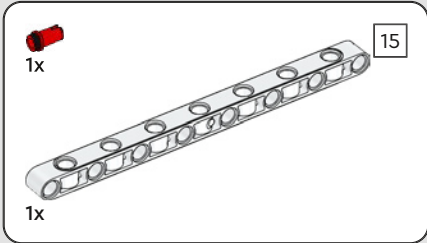
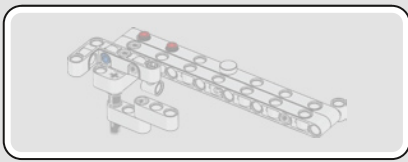


1x

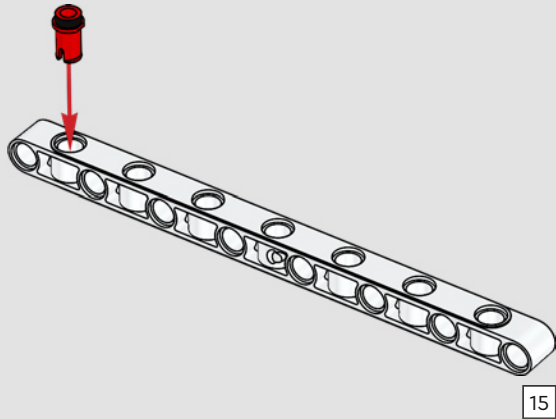
# 310



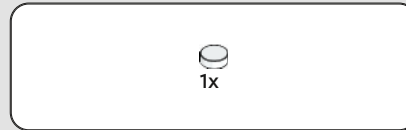
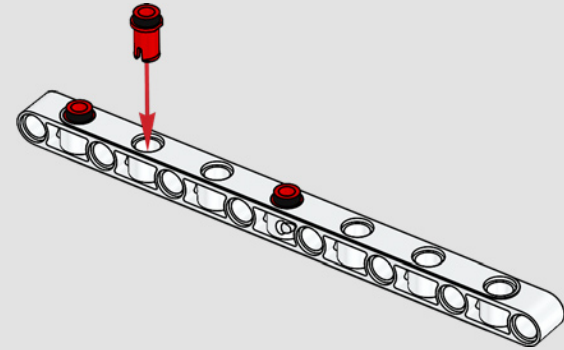




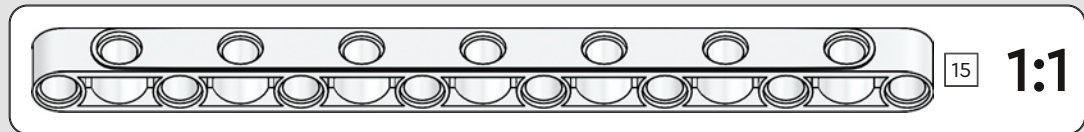
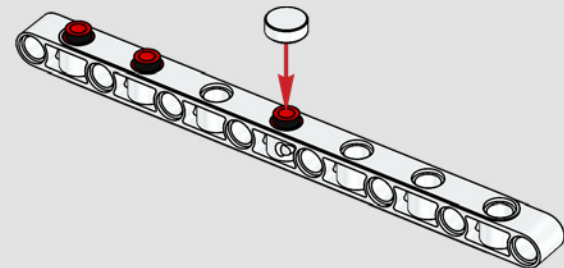
311

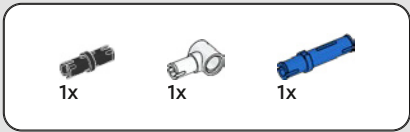


312

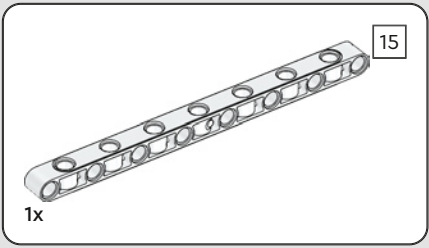


313

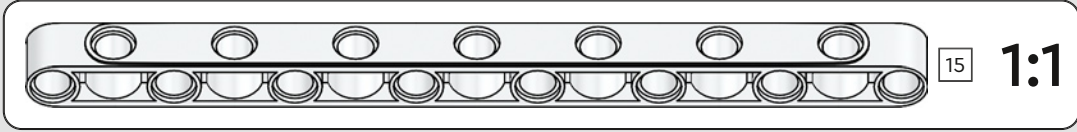
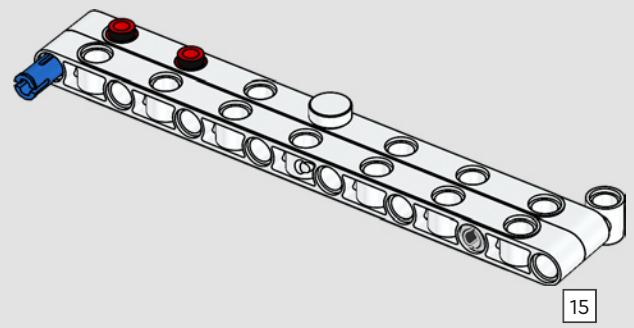
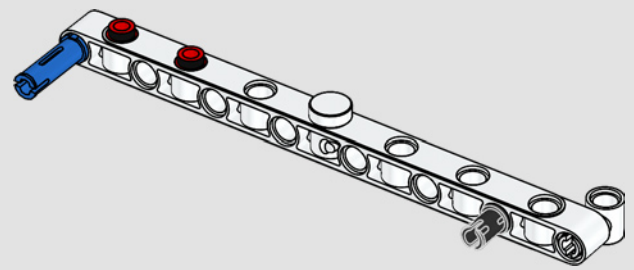




314

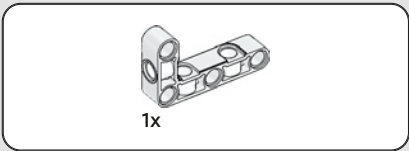
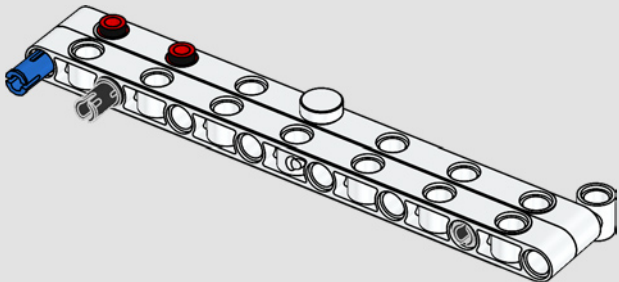


315

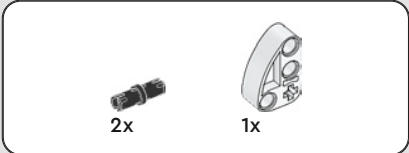
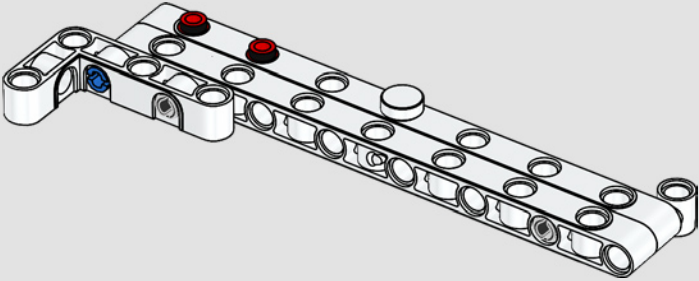




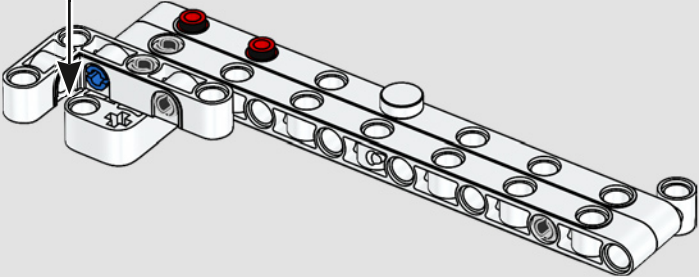
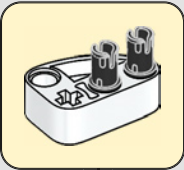
316



317



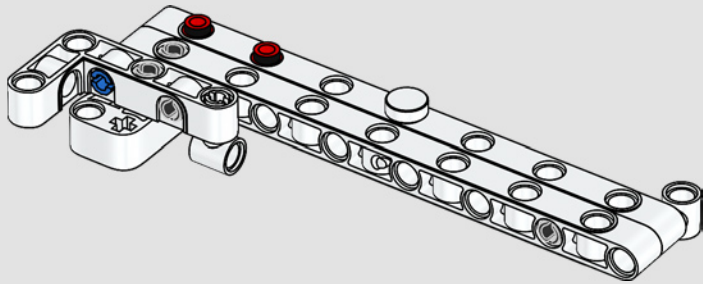
318





1x

319

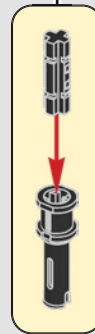
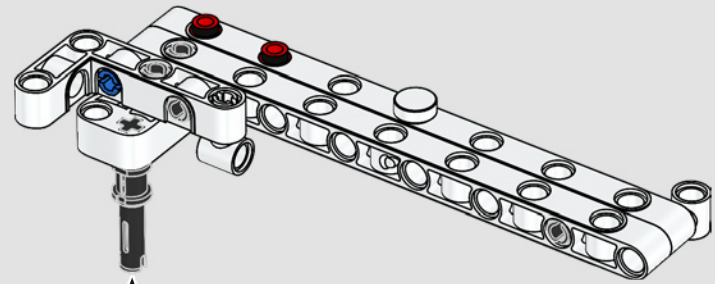


1x

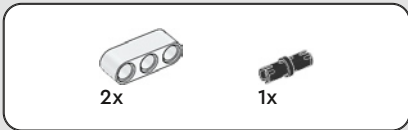


1x

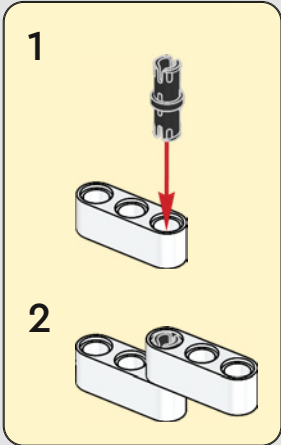
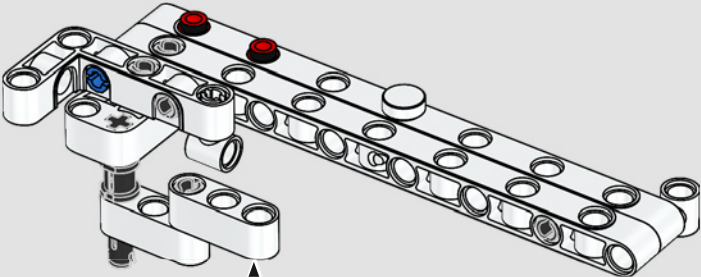
320



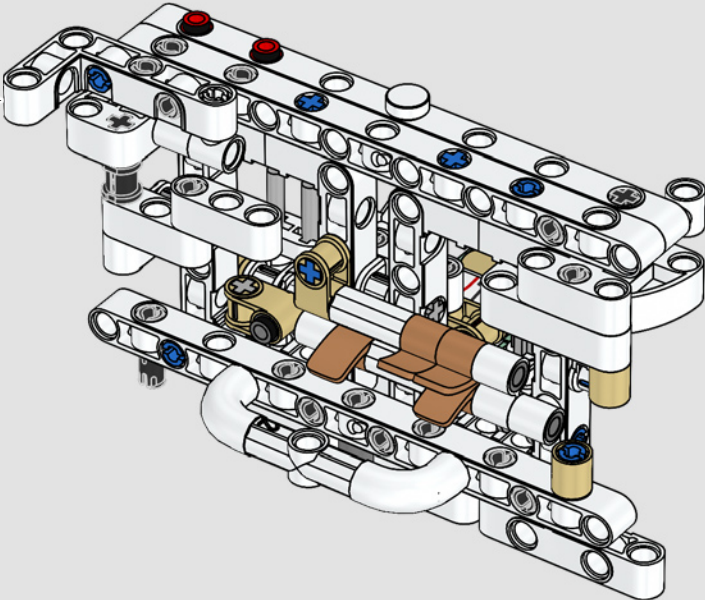


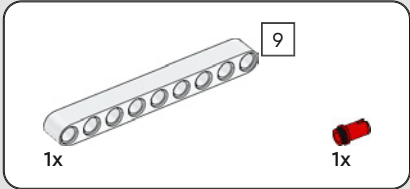
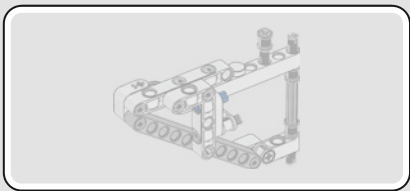


321

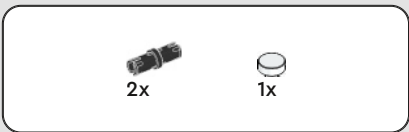
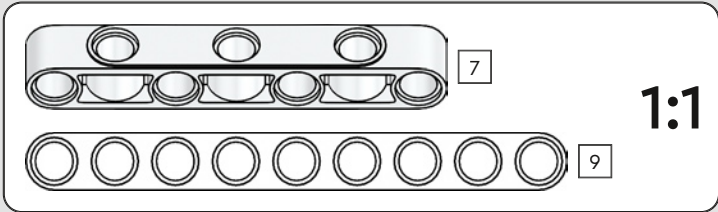
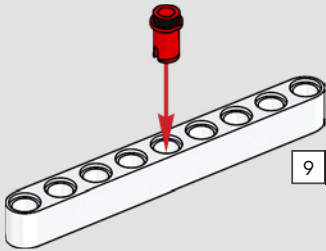


322

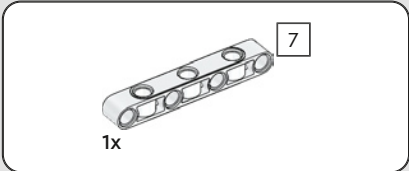
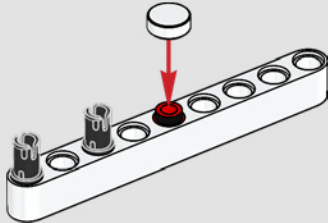




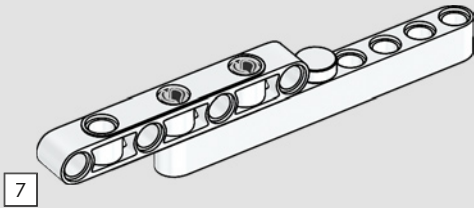
# 323

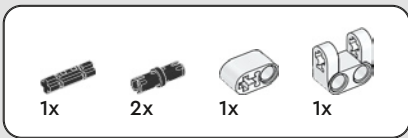


# 324

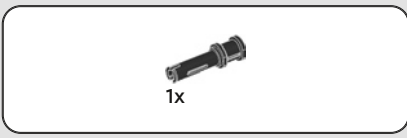
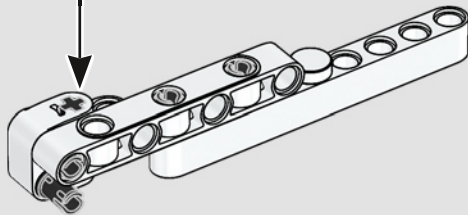
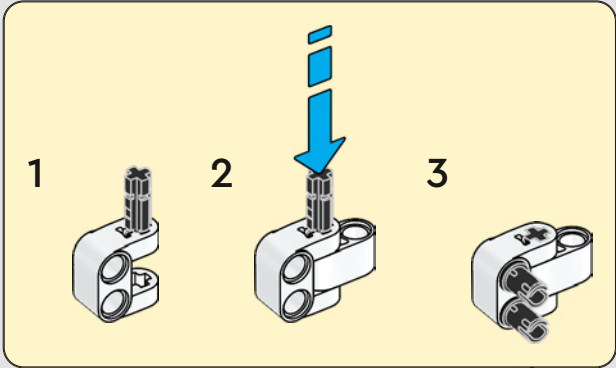


# 325

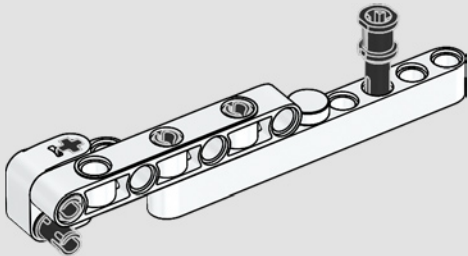


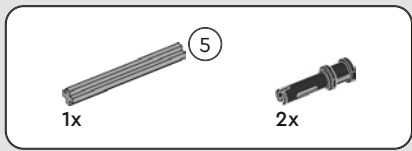


326

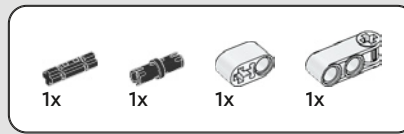
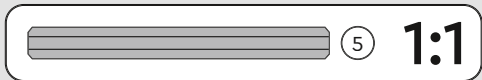
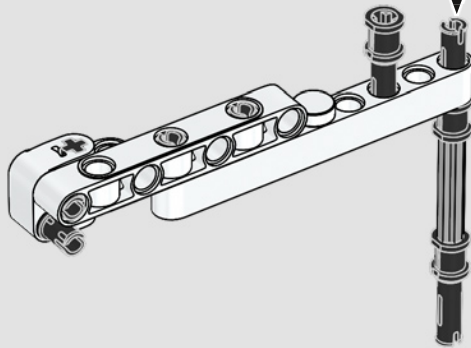
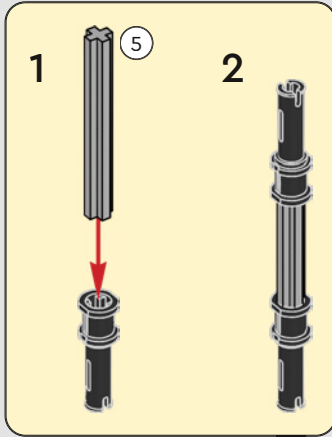


327

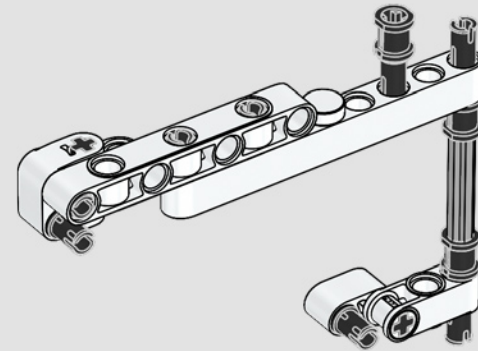
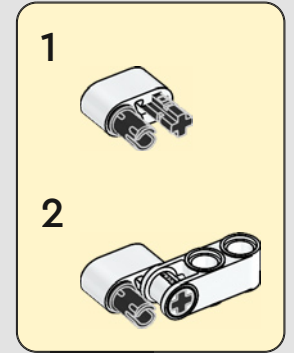




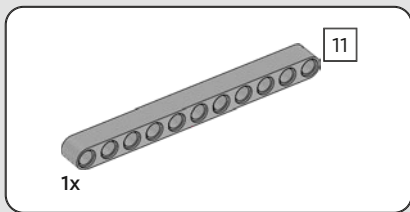
328



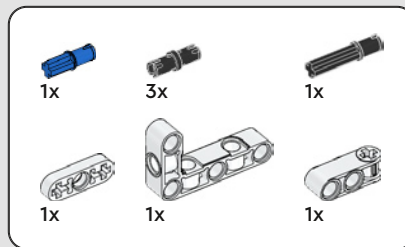
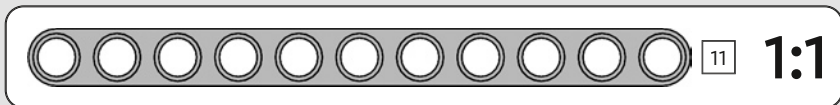
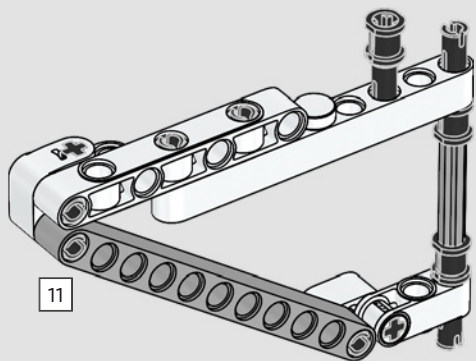
329



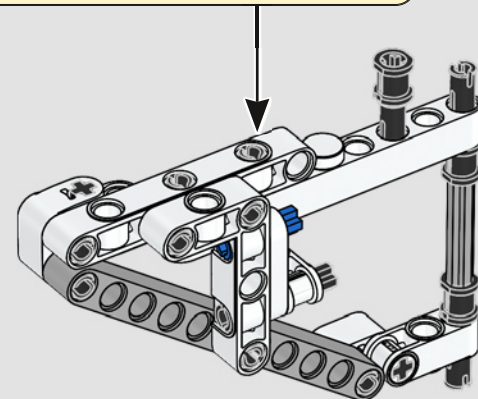
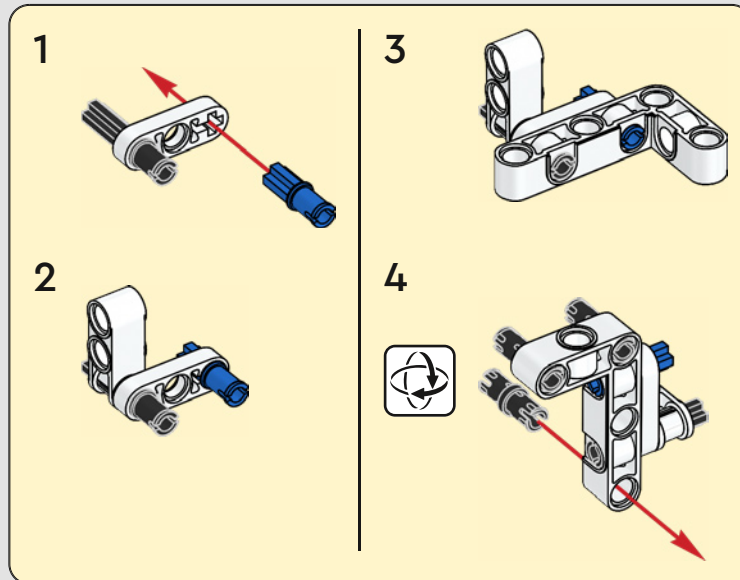




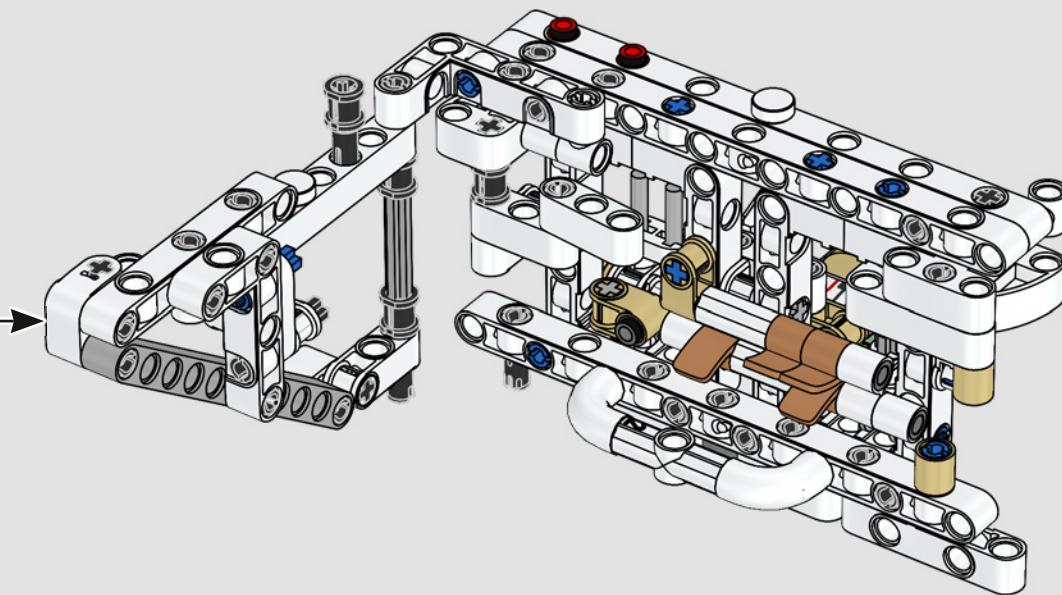
330



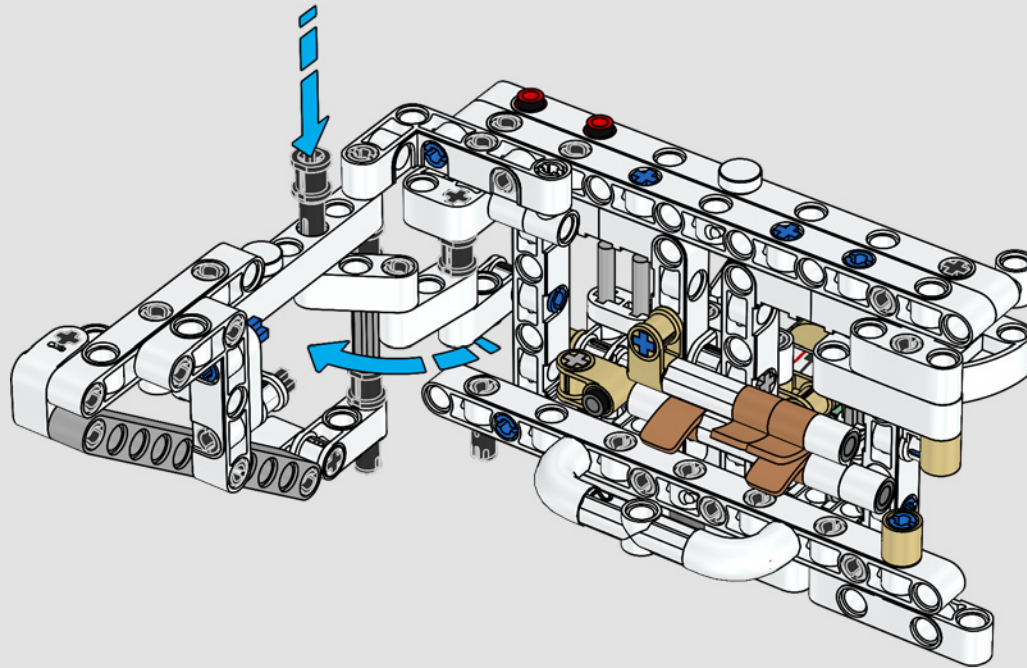
331

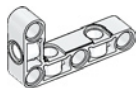


332



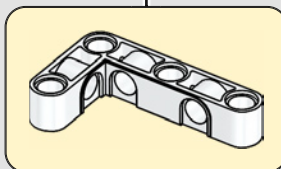
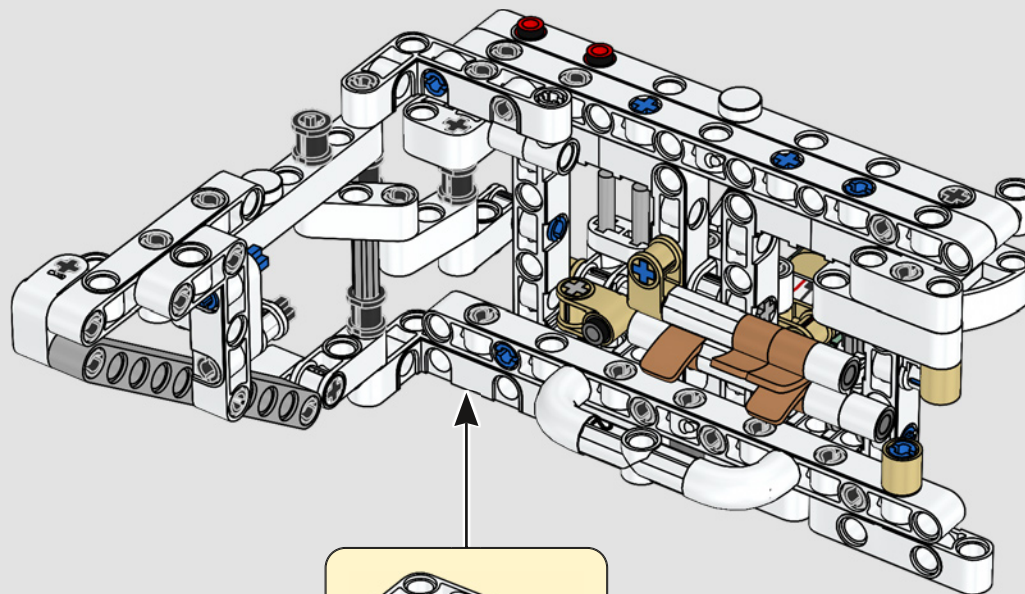
333



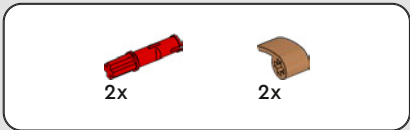


1x

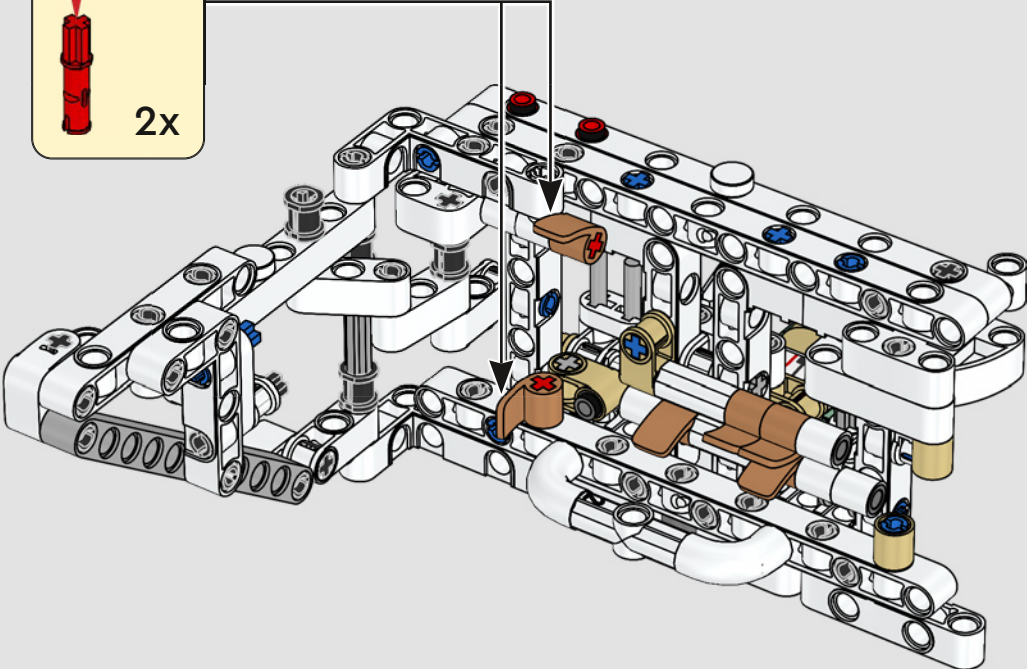
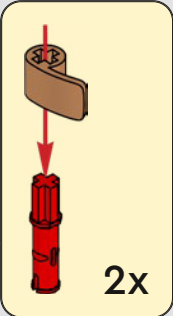
334

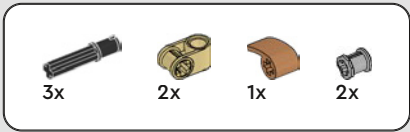




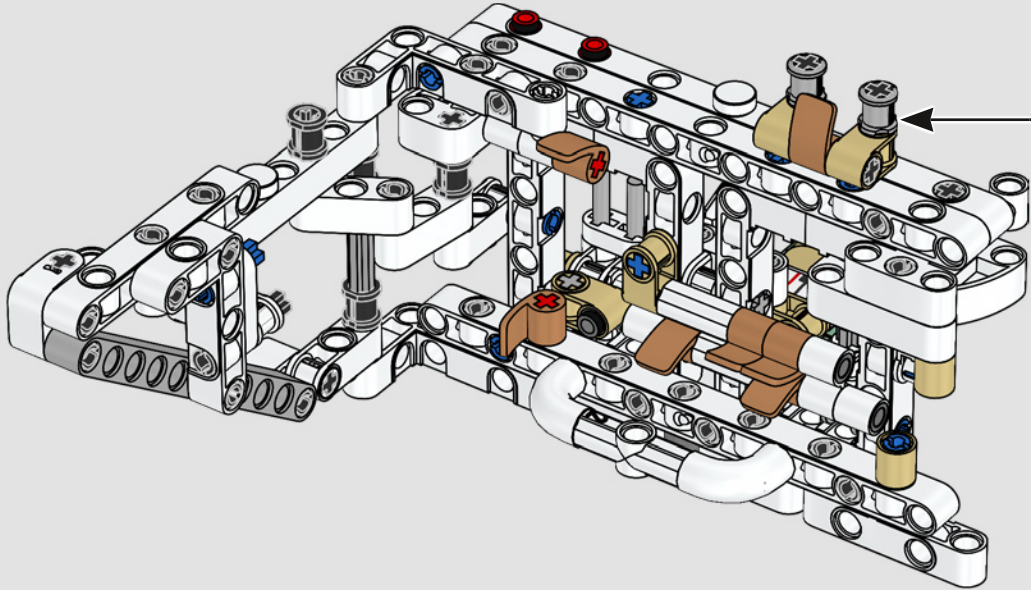
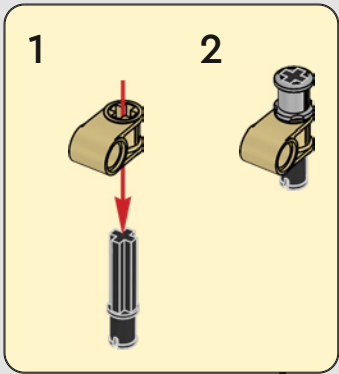


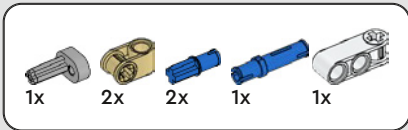
335



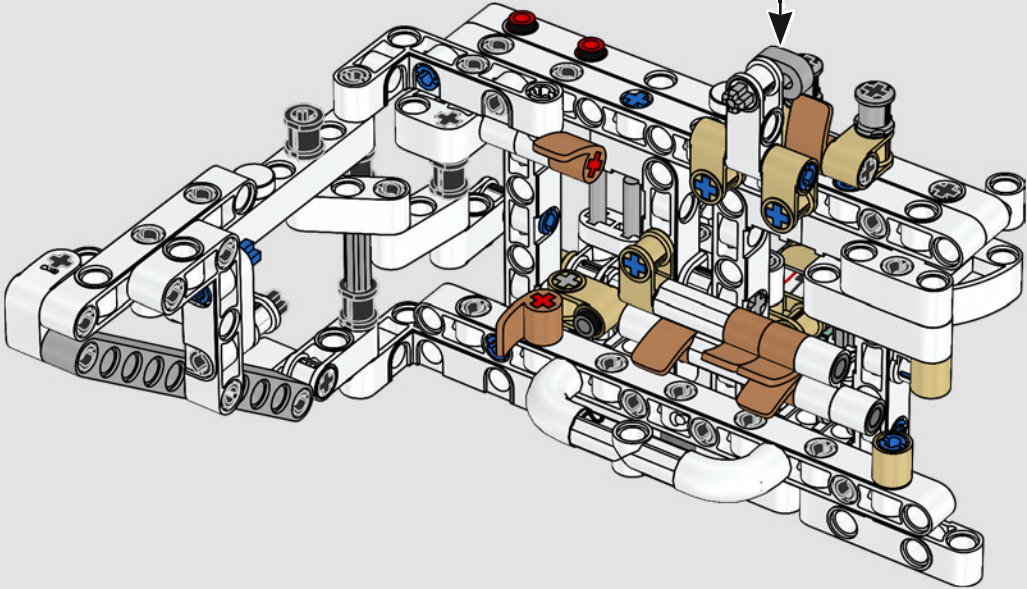
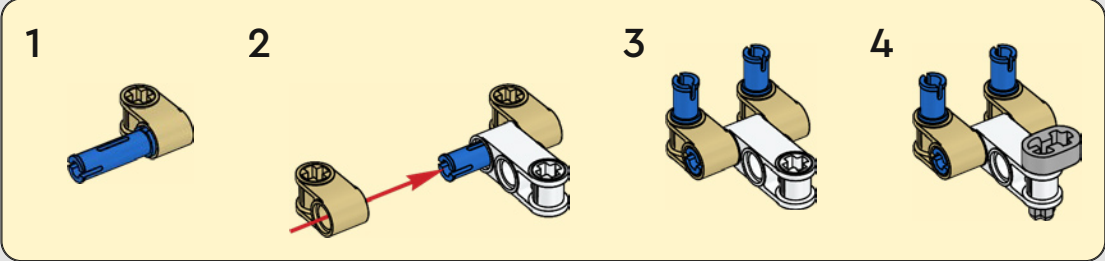


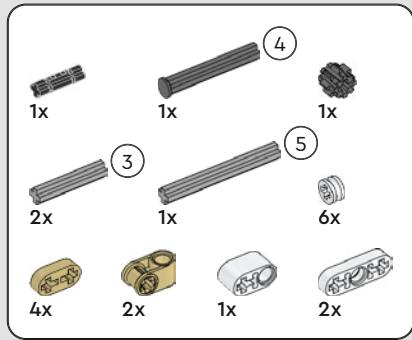
# 336





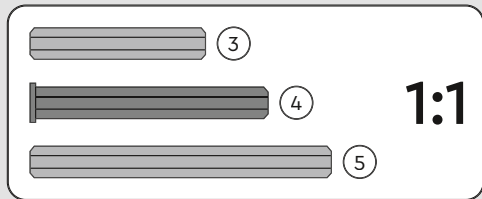
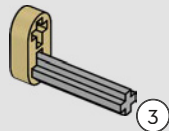
337



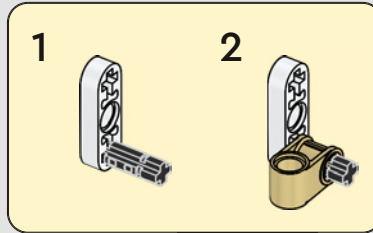
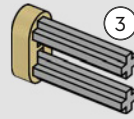


338

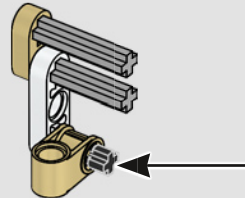
1



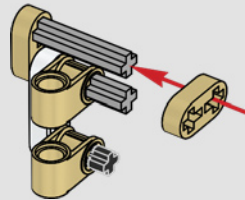
2



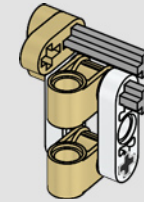
3



4



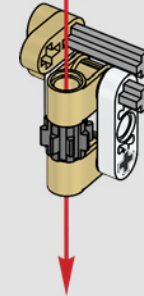
5



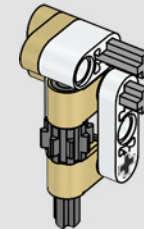
4



6

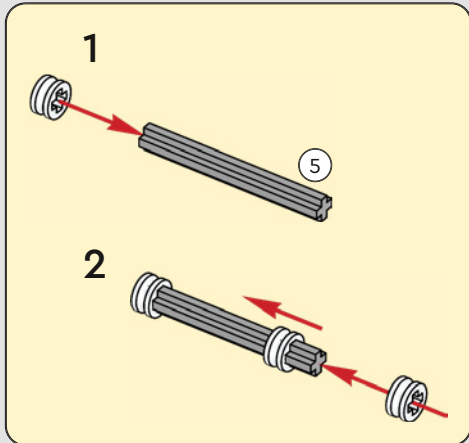
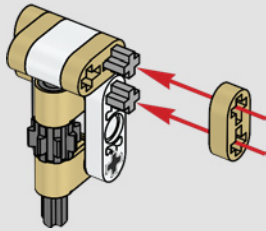


7

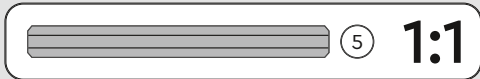
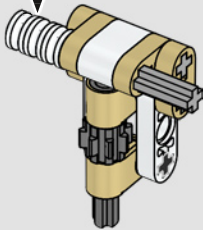




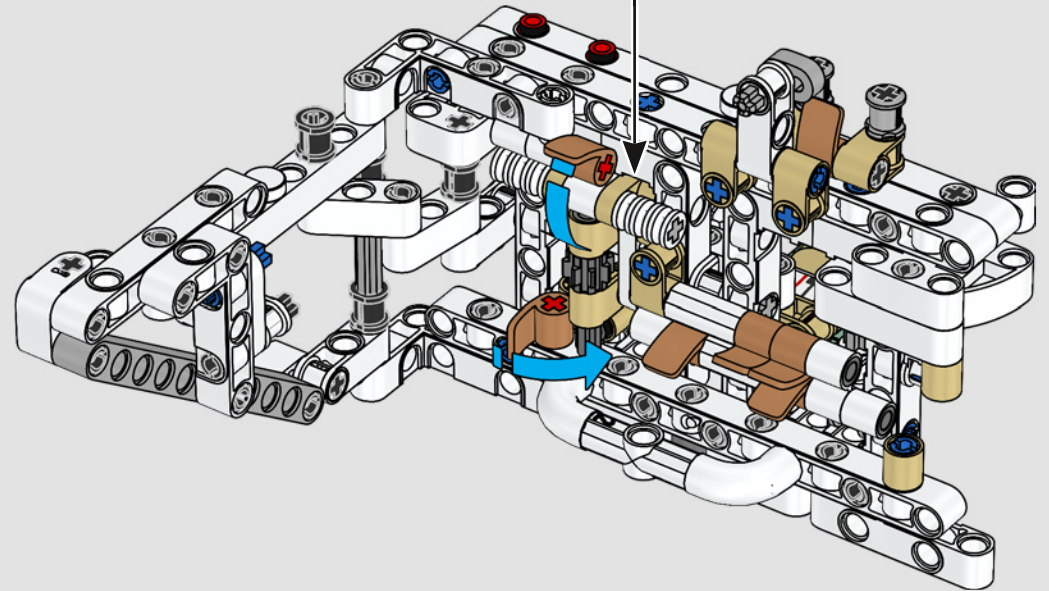
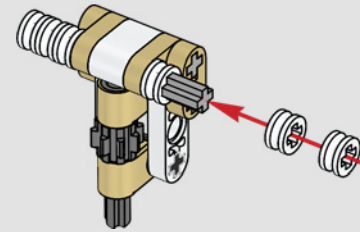
8

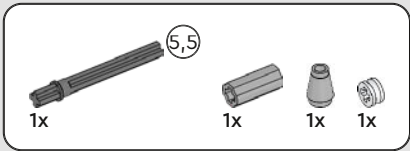


9

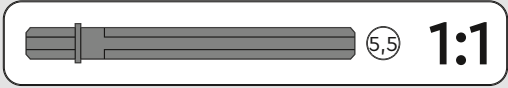
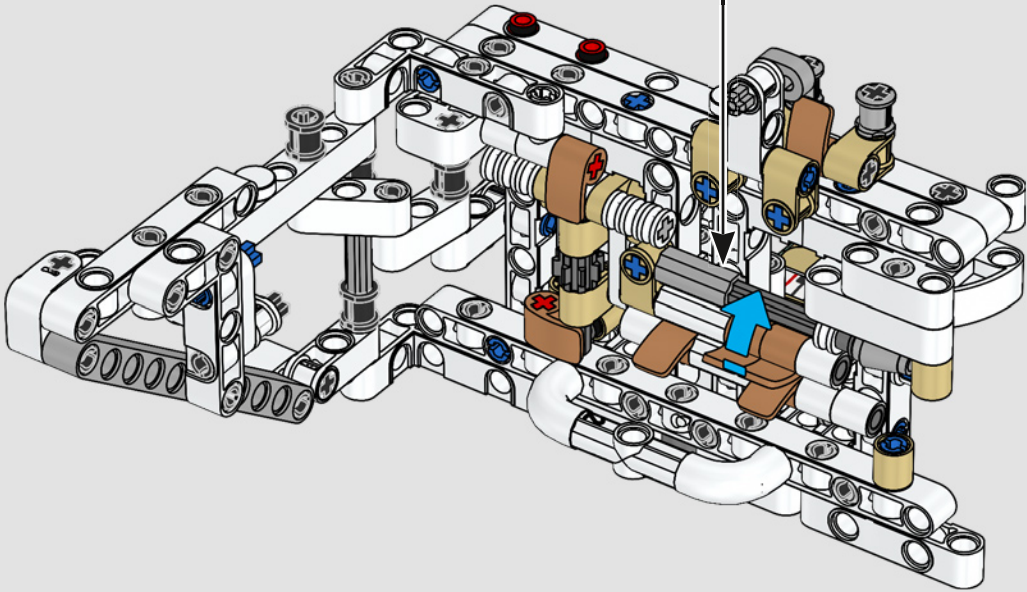
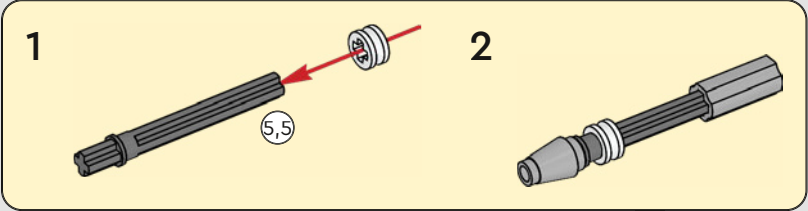


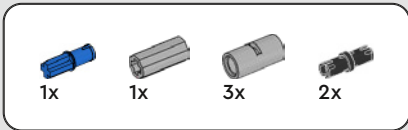
10



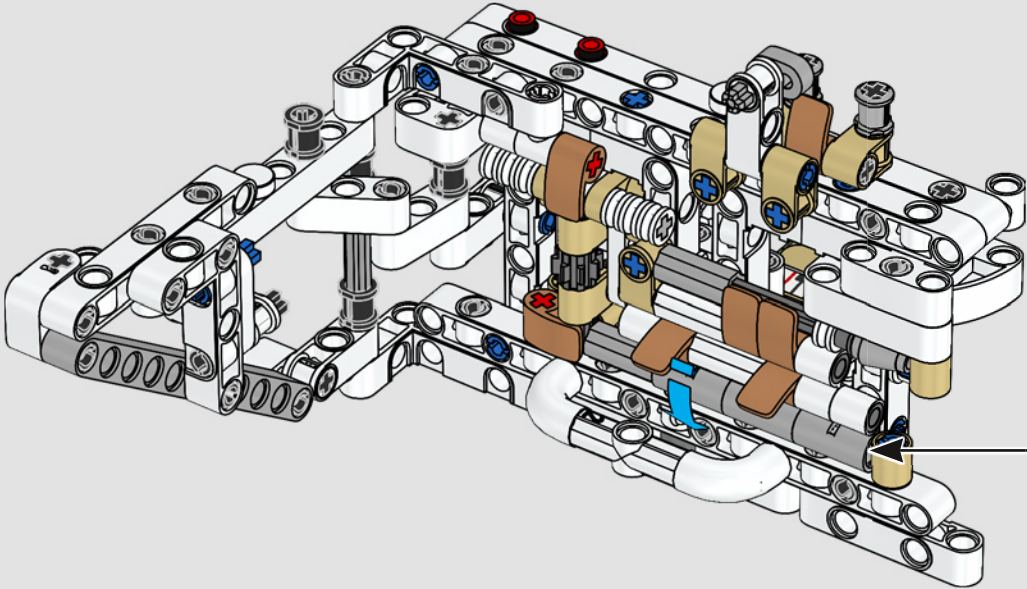
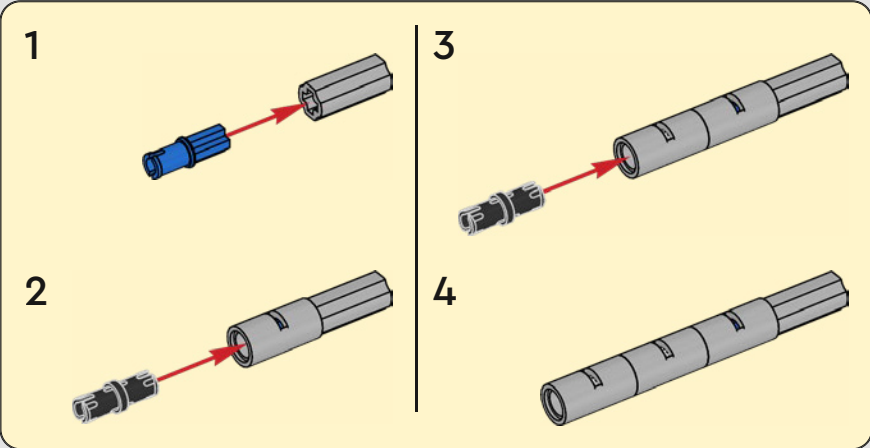


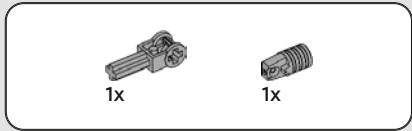
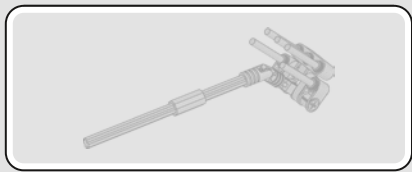
# 339



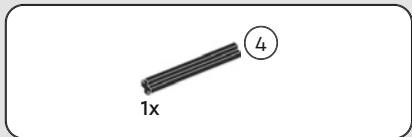
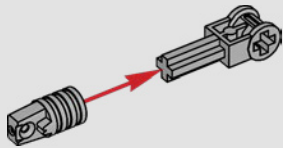


340

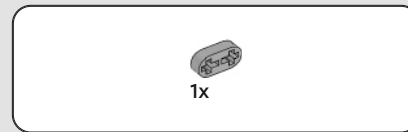
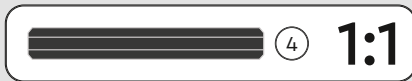
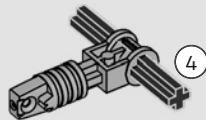




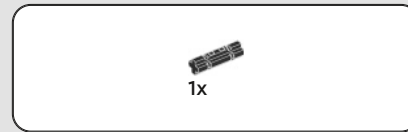
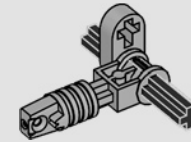
341



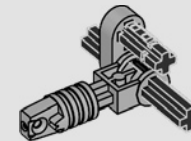
342



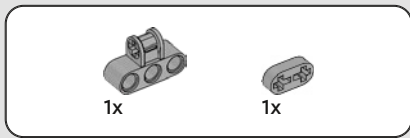
343



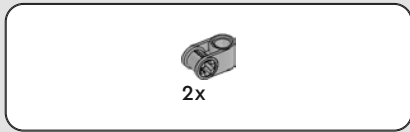
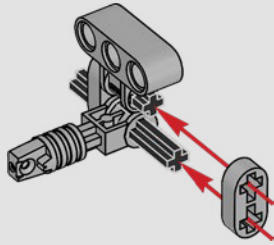
344



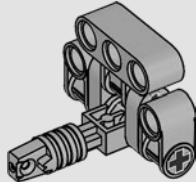




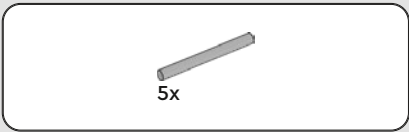
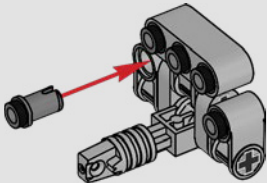
345



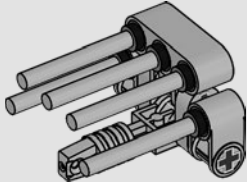
346

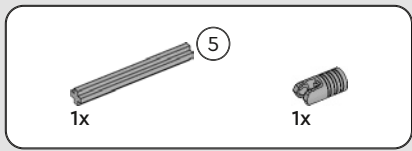


347

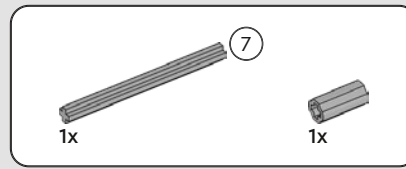
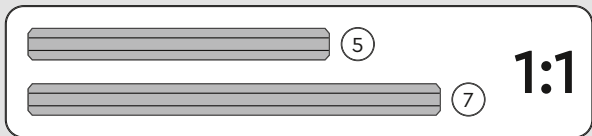
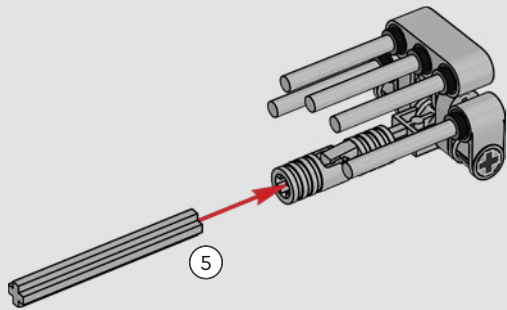


348

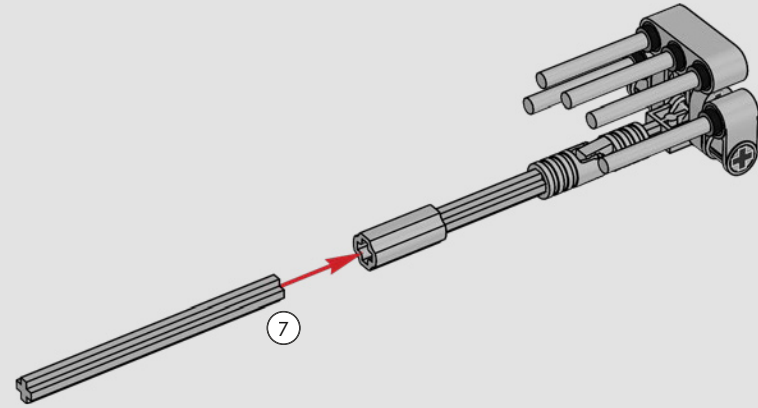




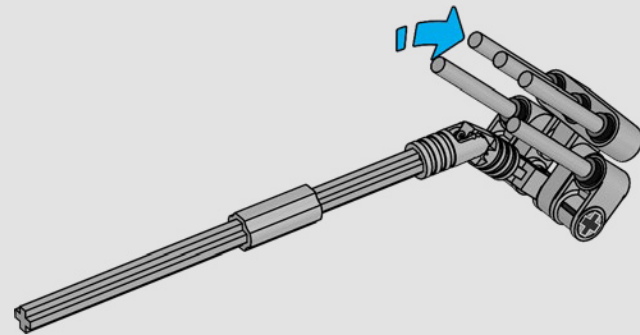
349



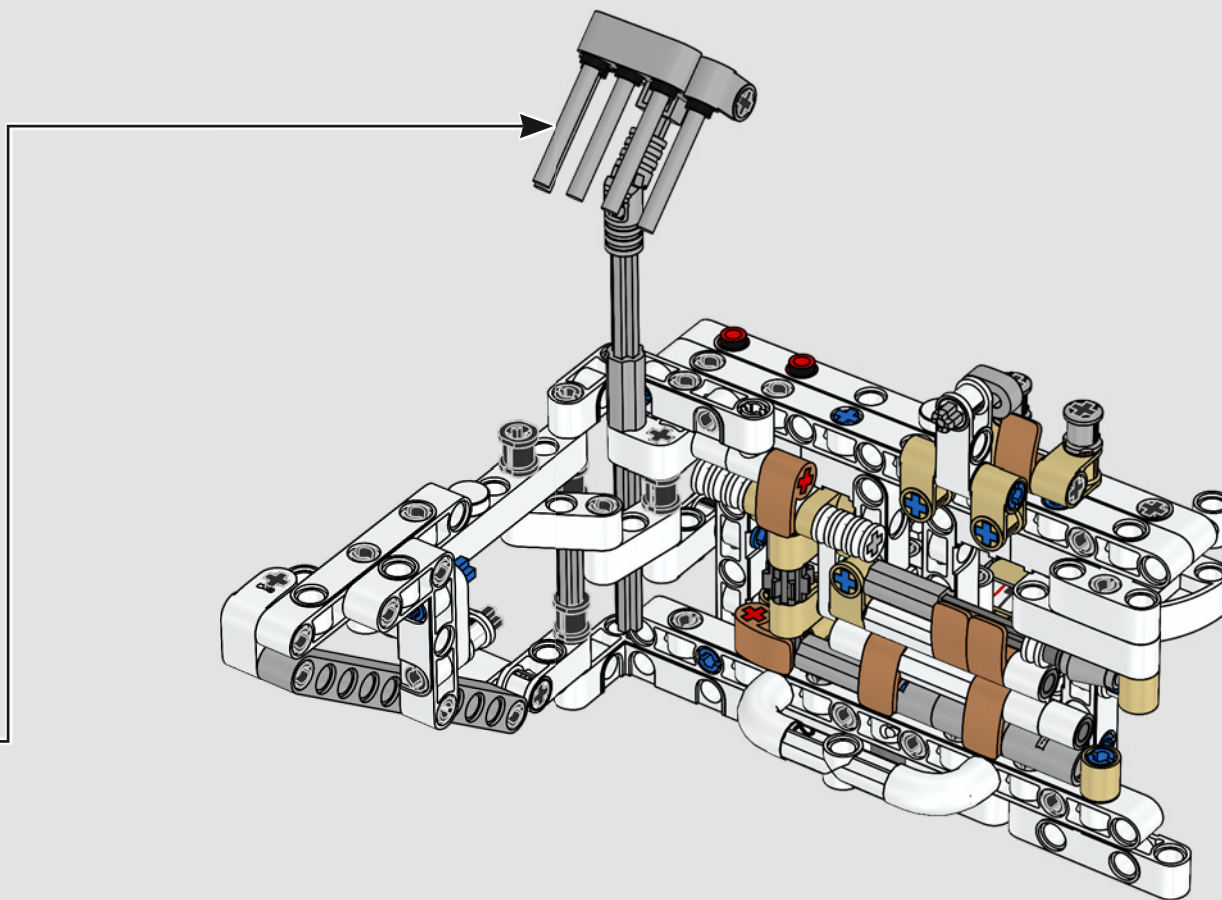
350



351

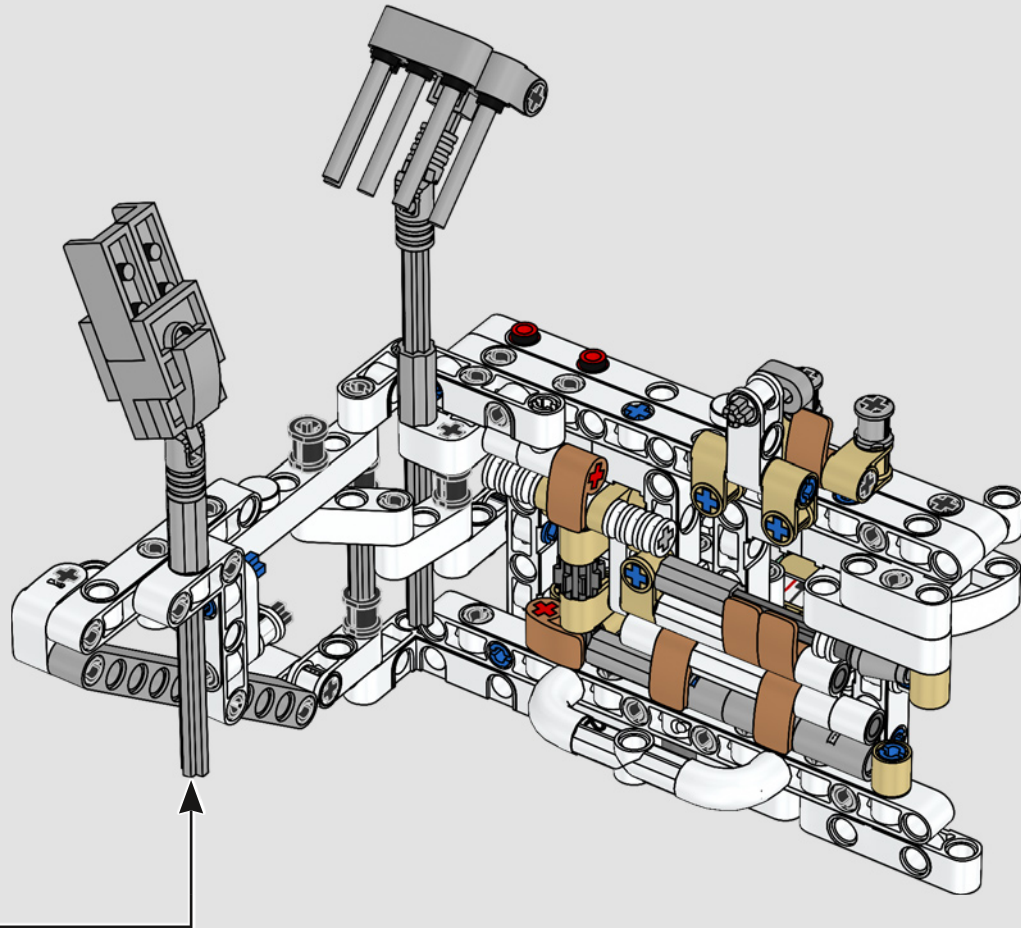


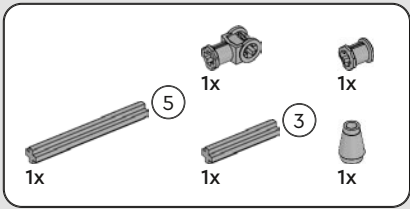
352



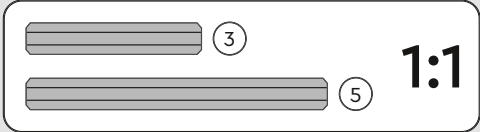
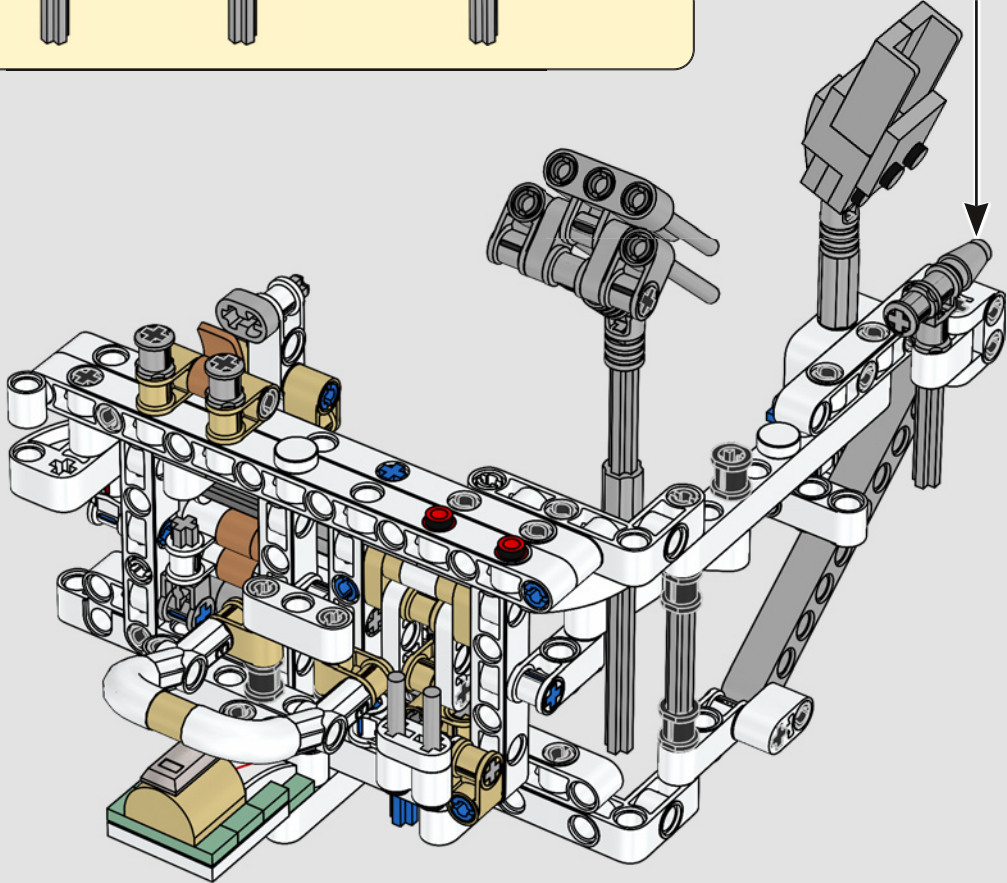
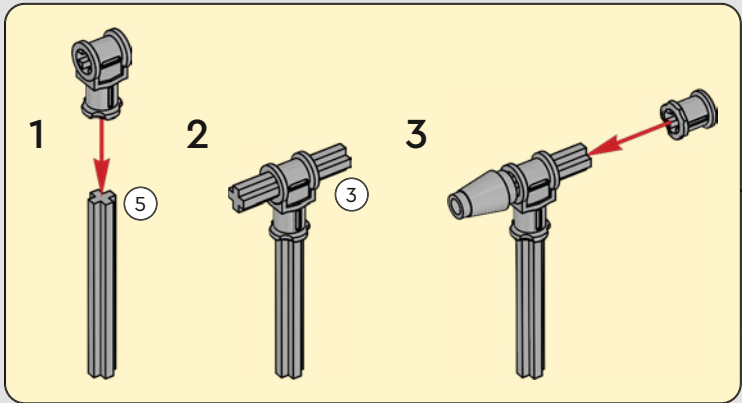


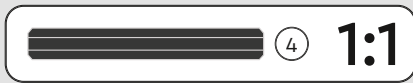
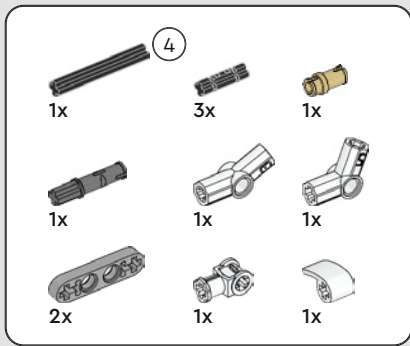




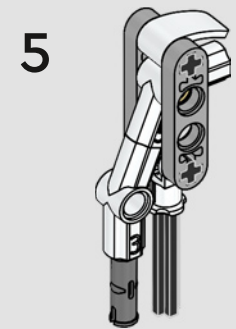
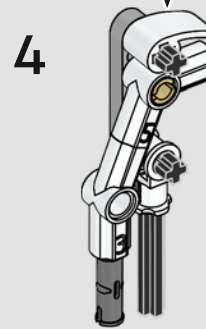
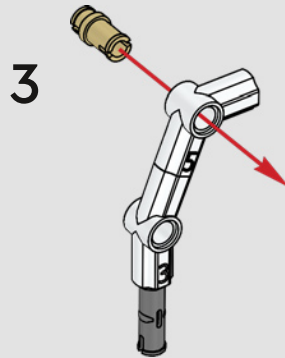
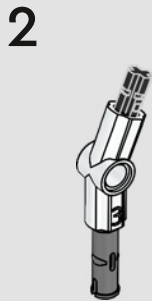
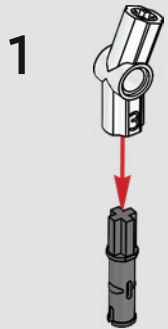
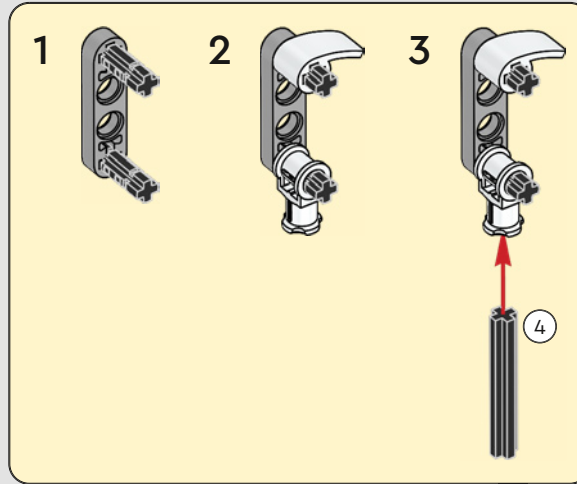


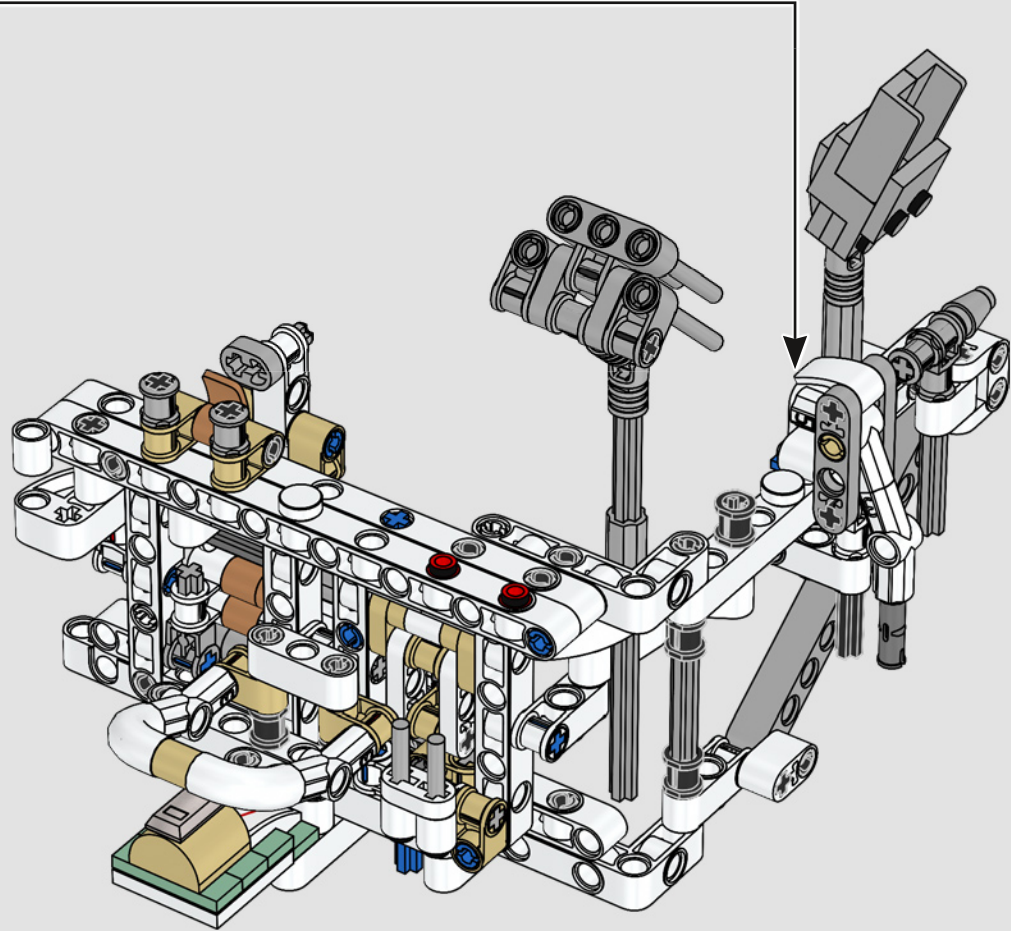
354



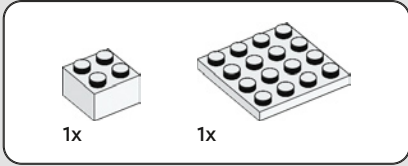


355

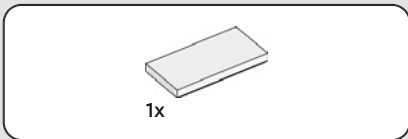
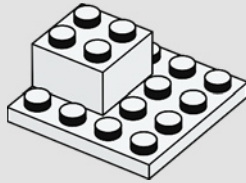




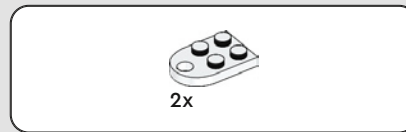
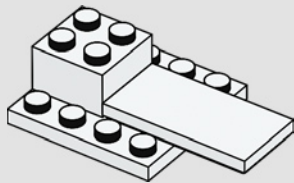




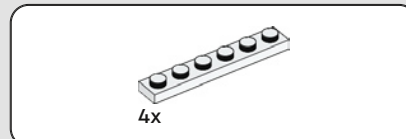
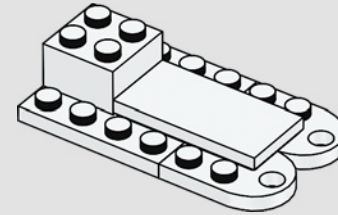
356



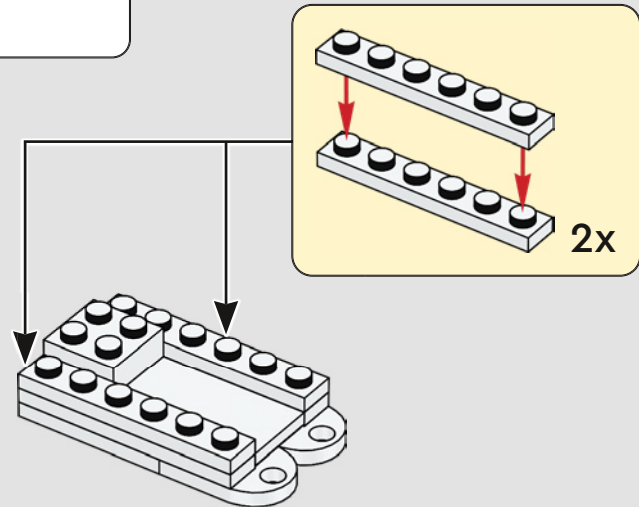
357



358



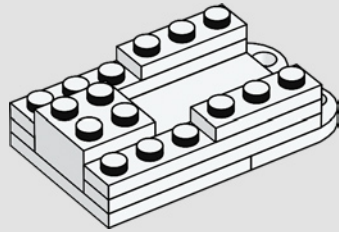
359





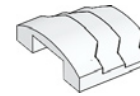
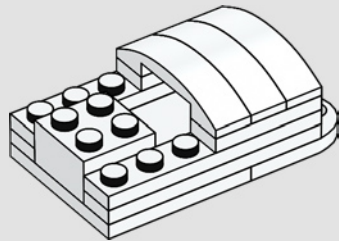
2x

# 360



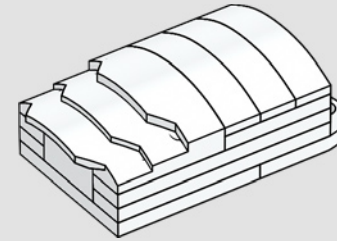
3x

# 361



1x

# 362

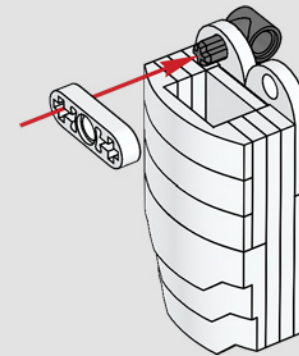


1x



1x

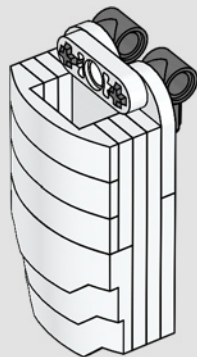
# 363





1x

# 364



2x



2x

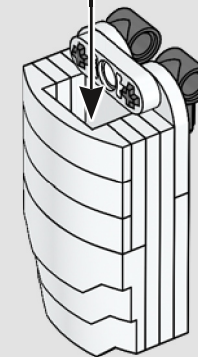
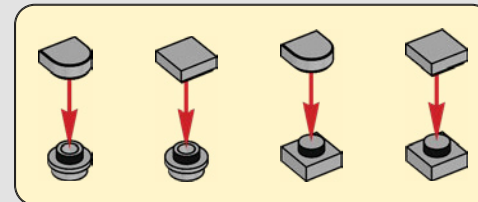


2x



2x

# 365





2x



2x

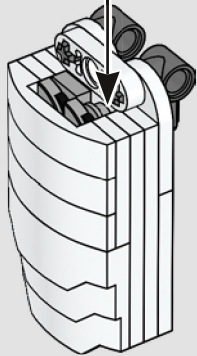
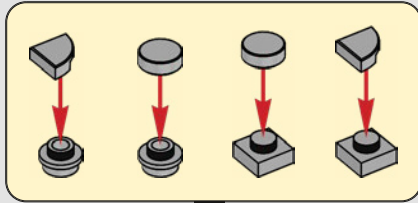


2x

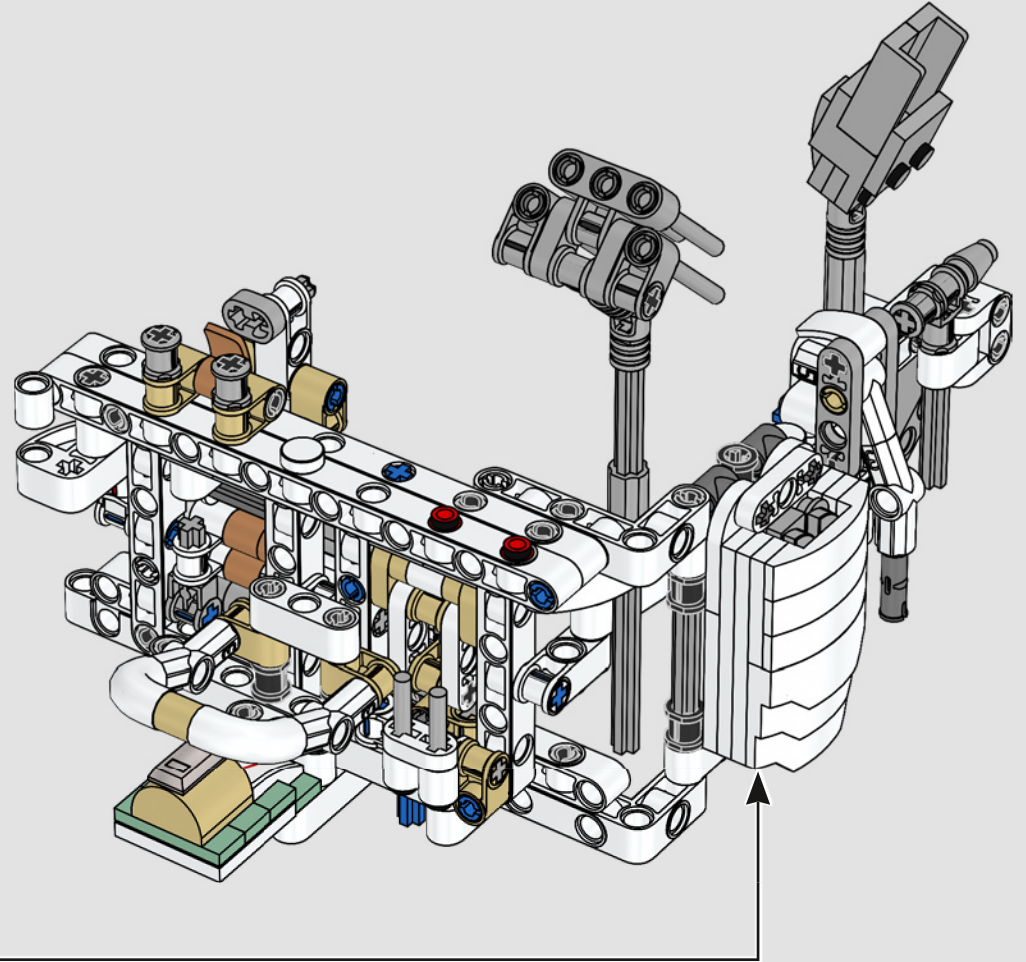


2x

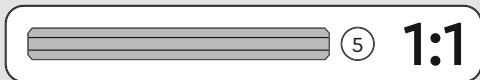
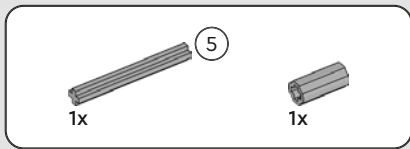
# 366



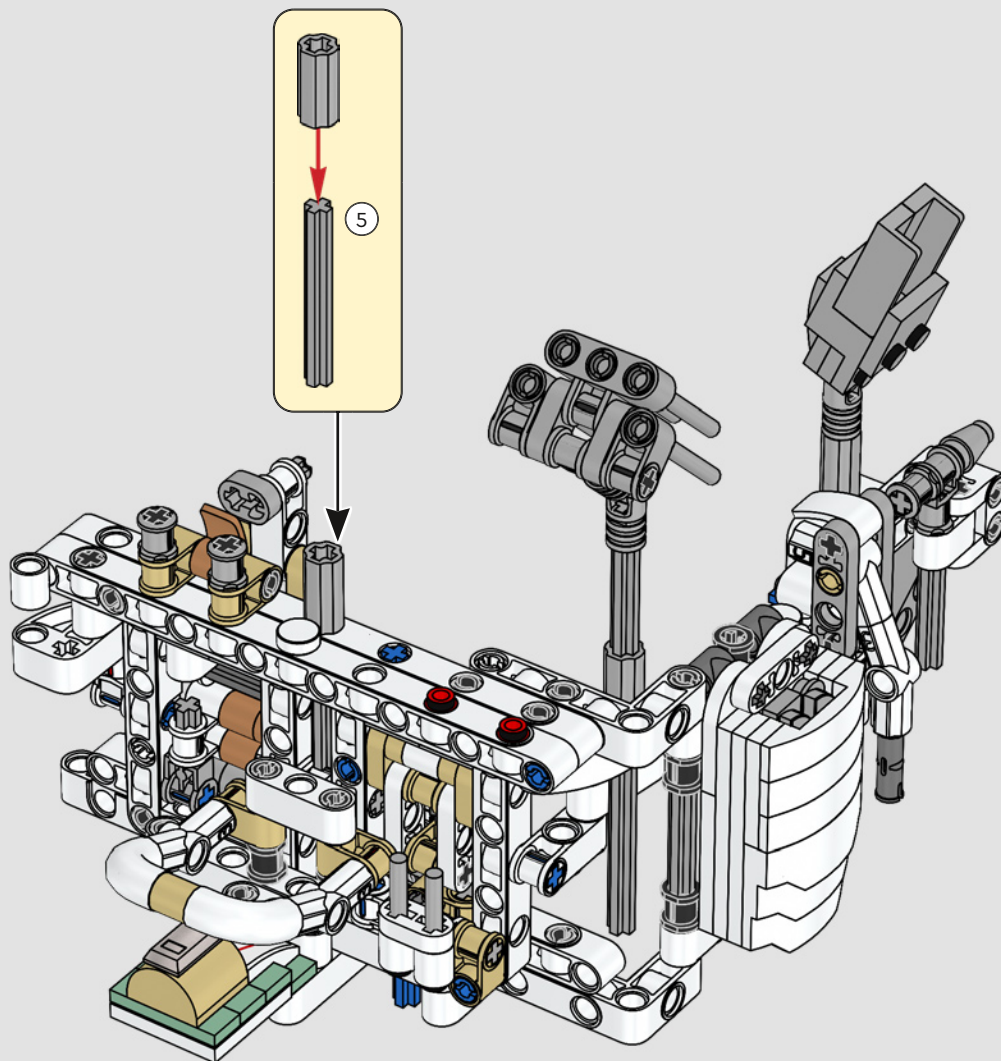
# 367

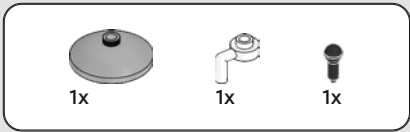




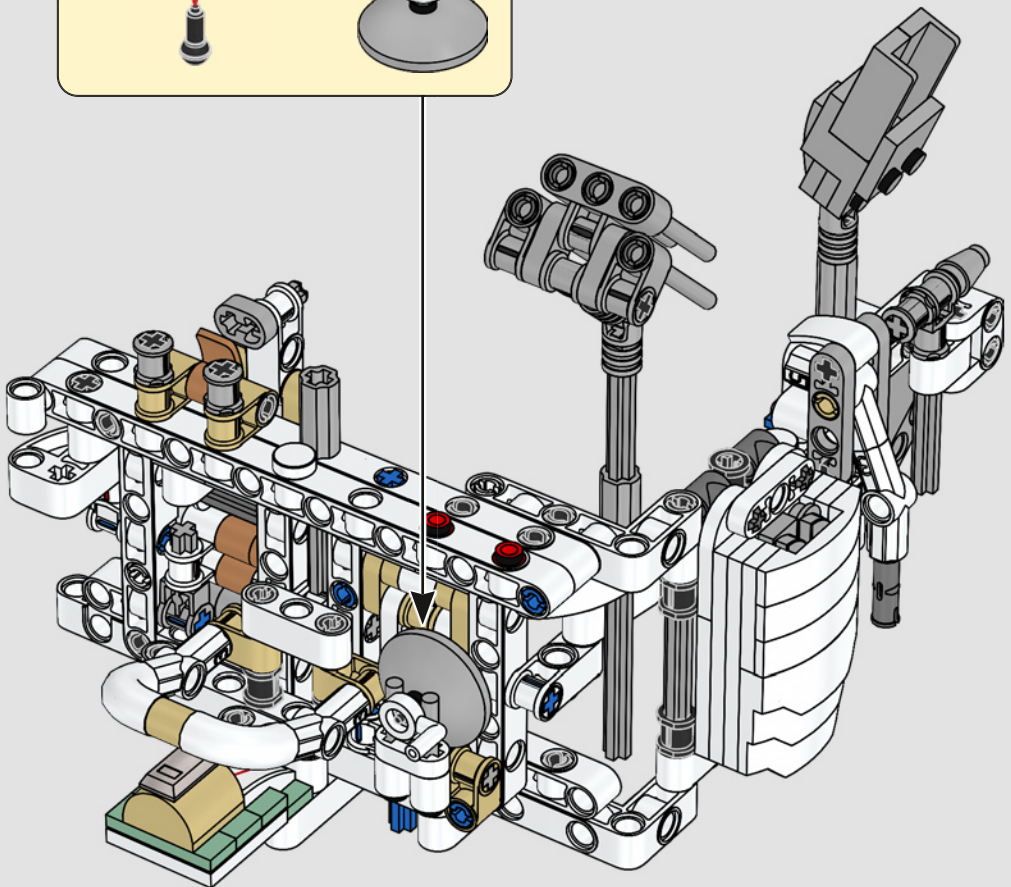
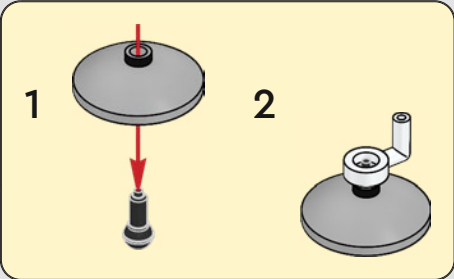


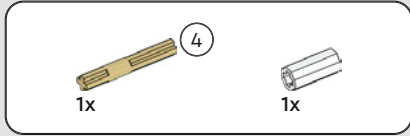
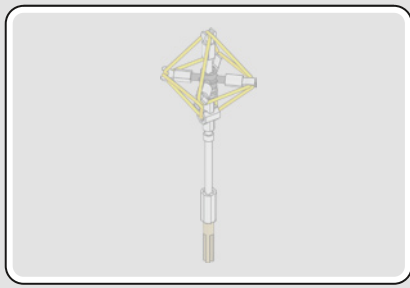
368



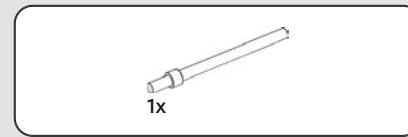
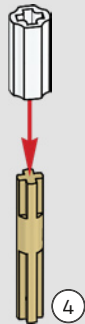
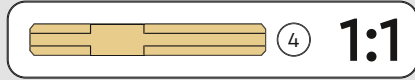


369

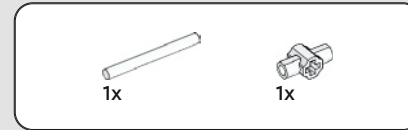




370



371



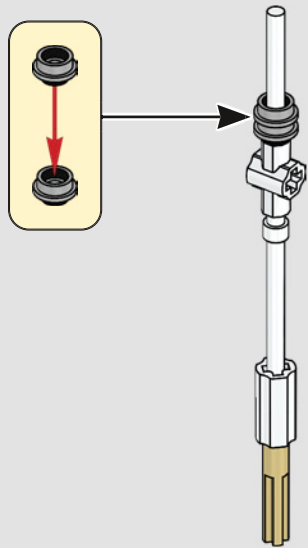
372





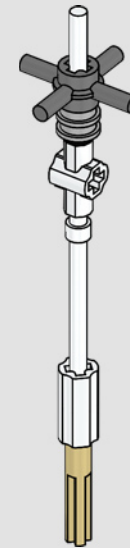
2x

373



1x

374

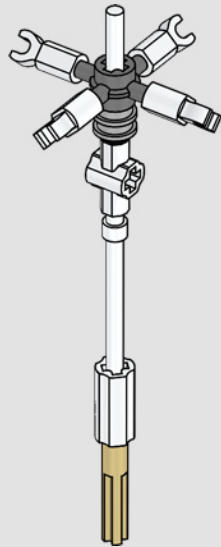






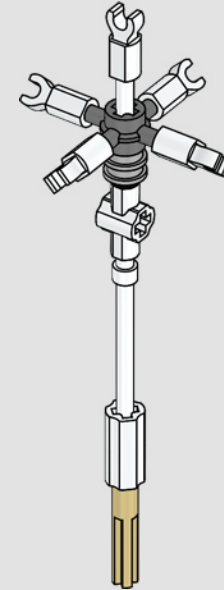
4x

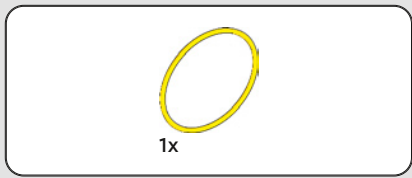
375



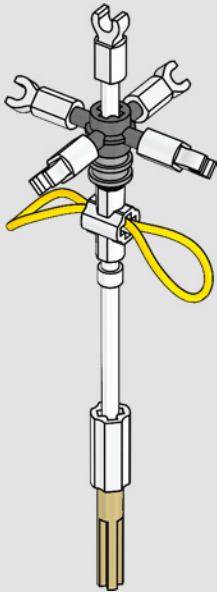
1x

376

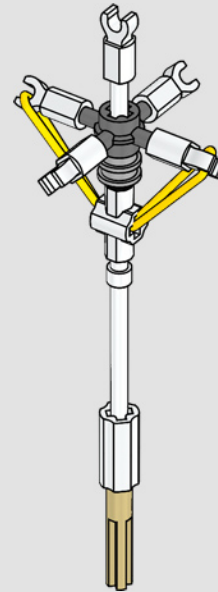




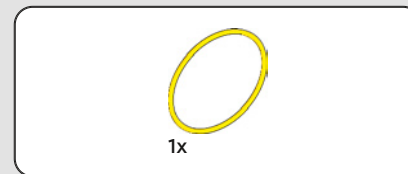
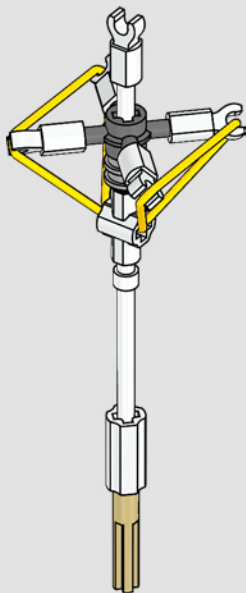
377



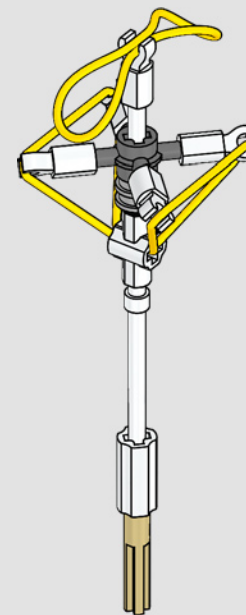
378



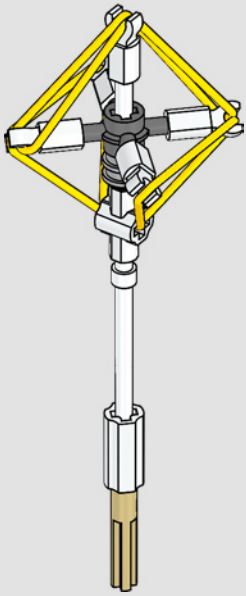
379



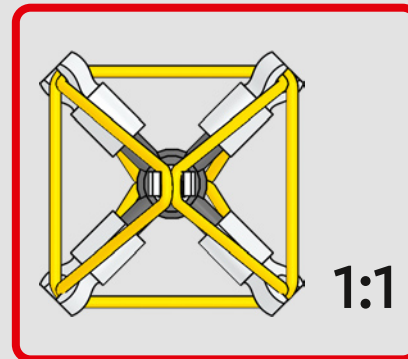
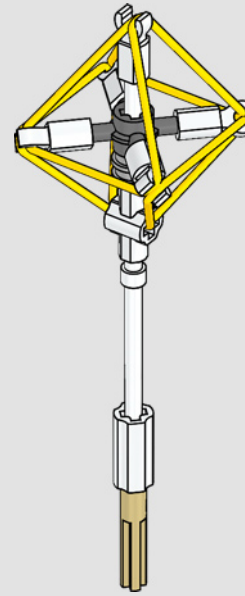
380



381

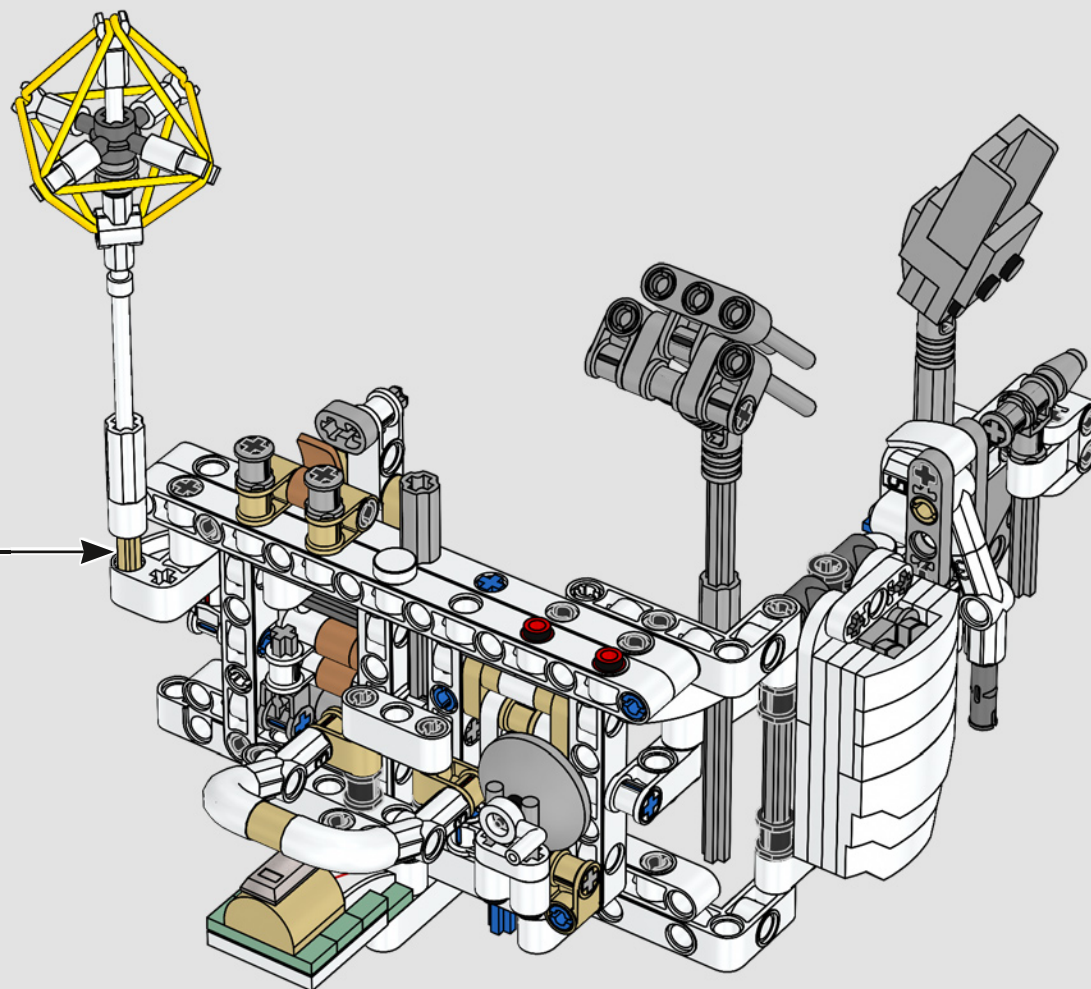


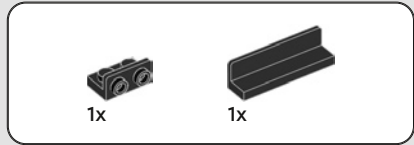
382





383

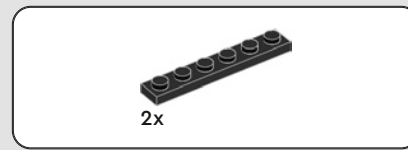
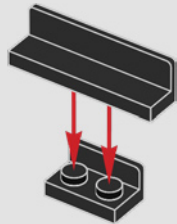




1x

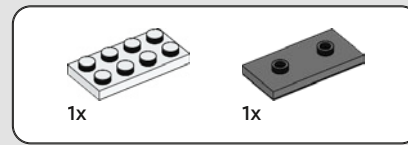
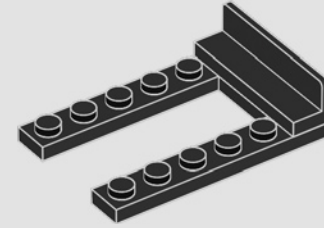
1x

# 384



2x

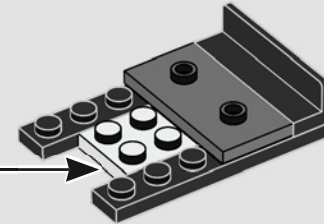
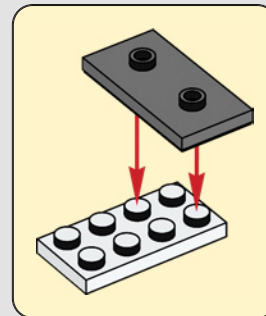
# 385

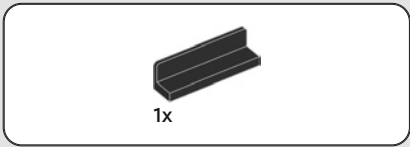


1x

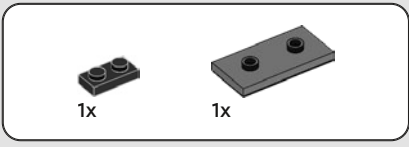
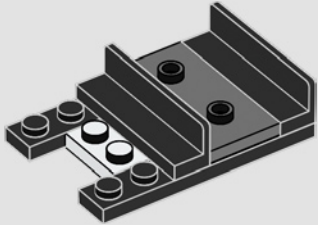
1x

# 386

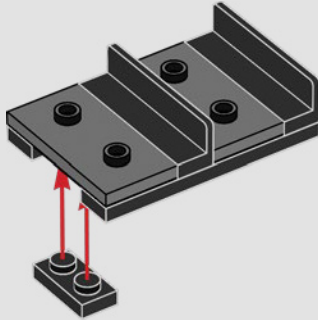


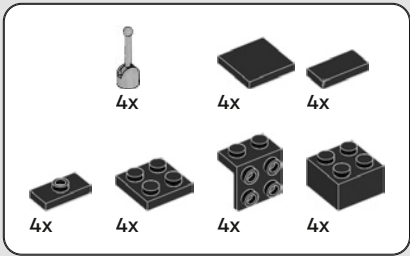


387

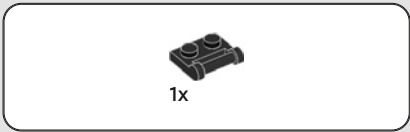
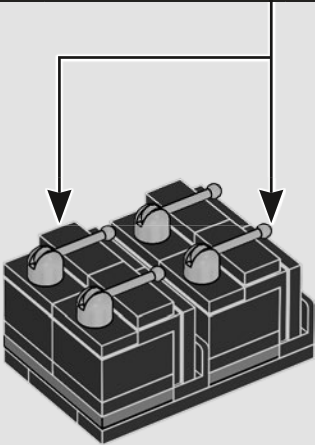
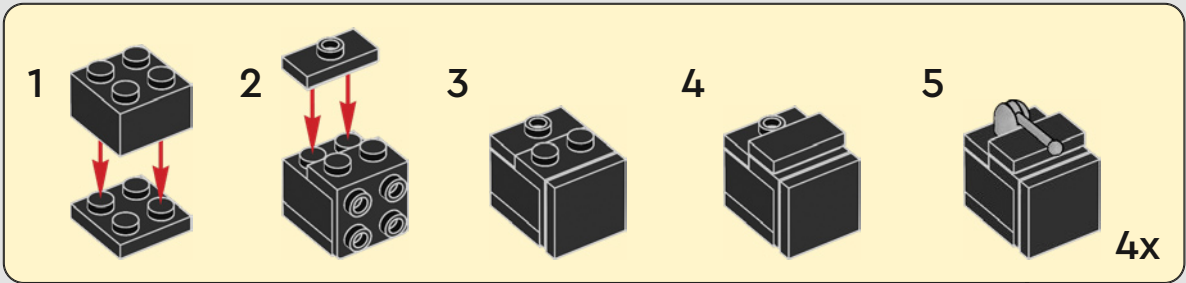


388

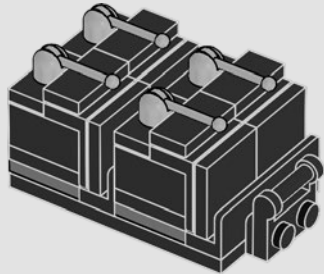




389

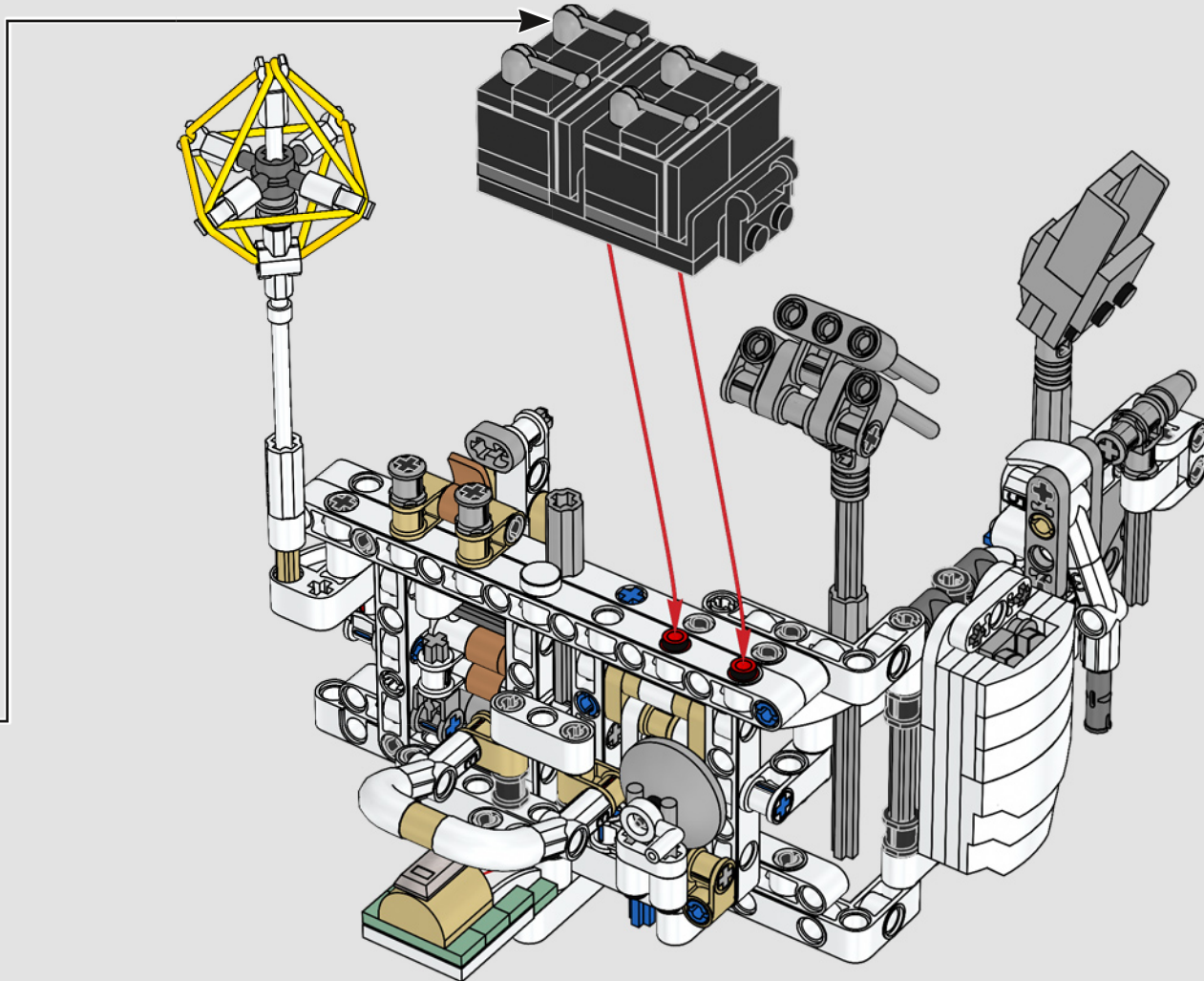


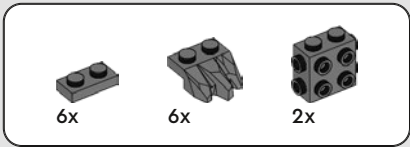
390



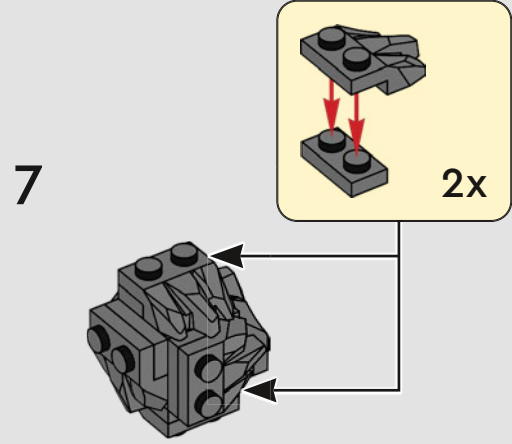
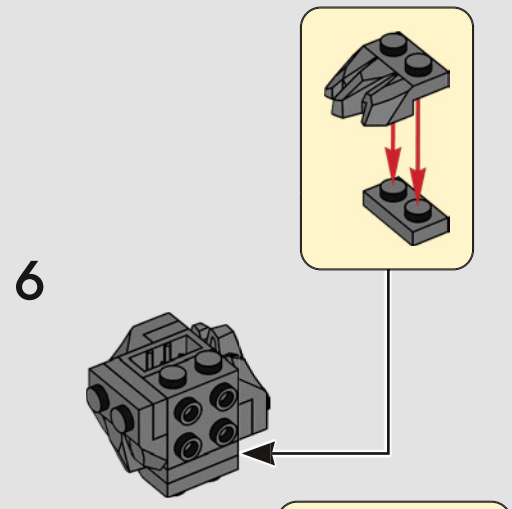
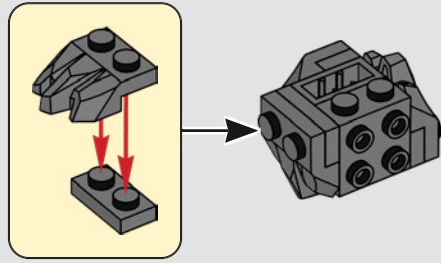
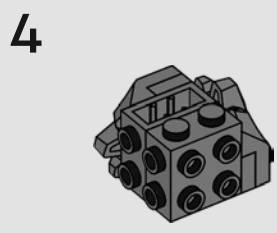
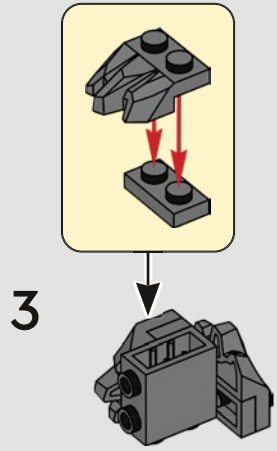
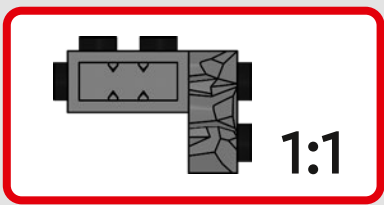
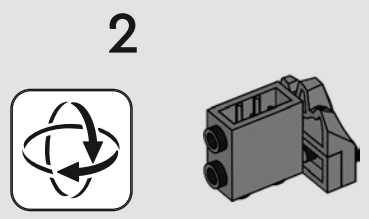
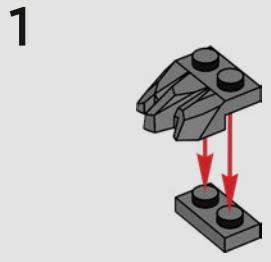


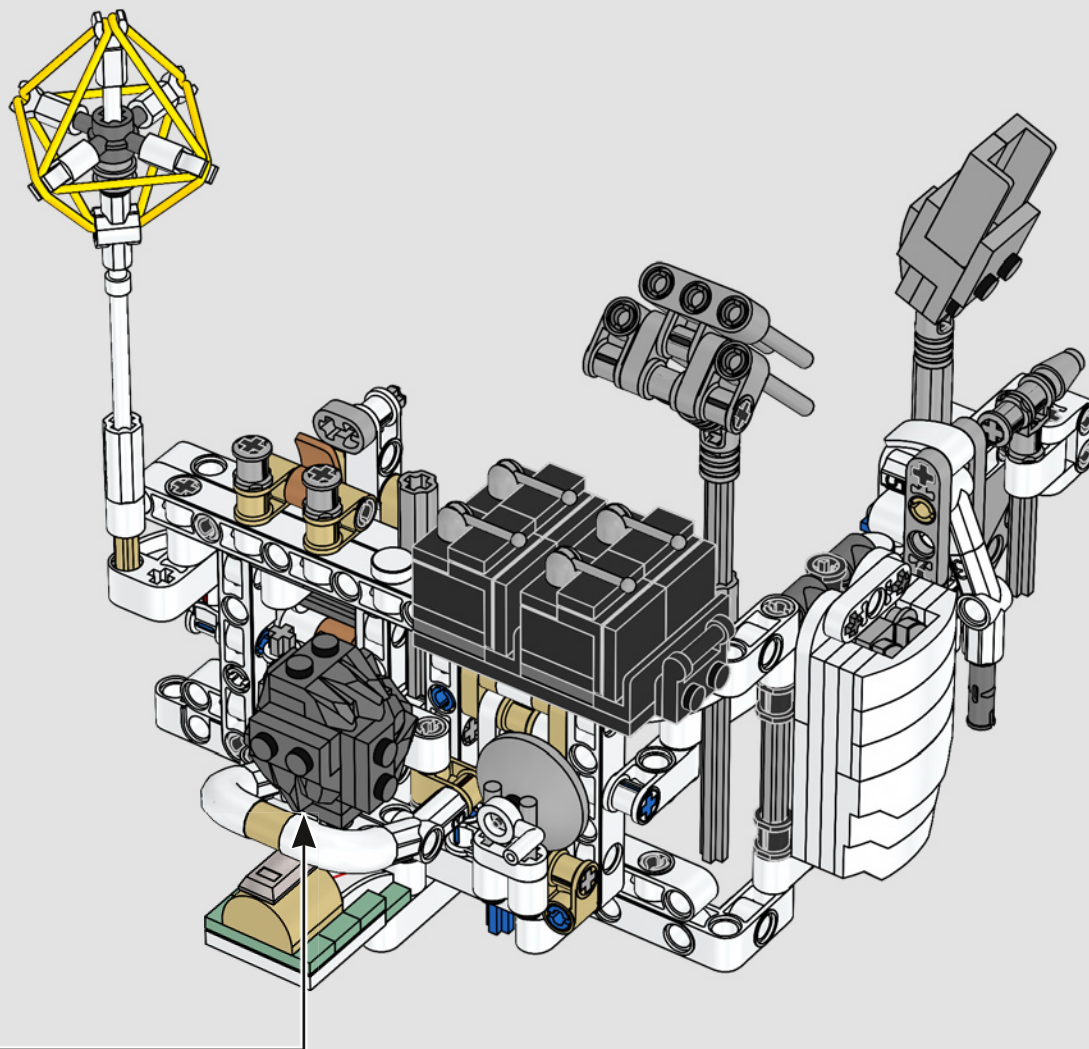
391

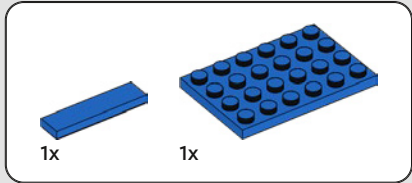




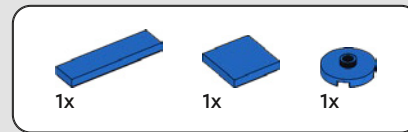
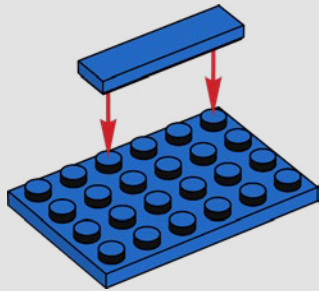
# 392



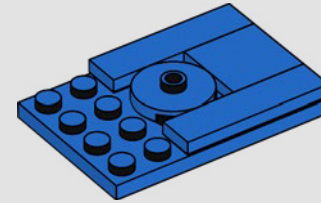




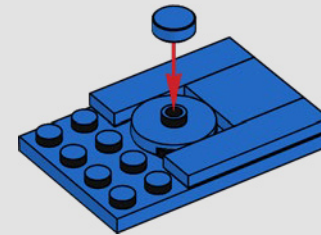
393



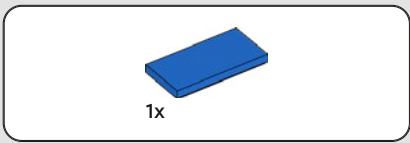
394



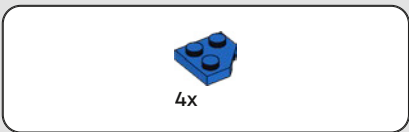
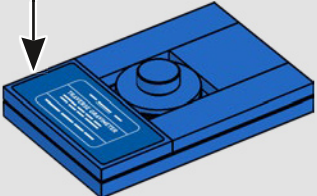
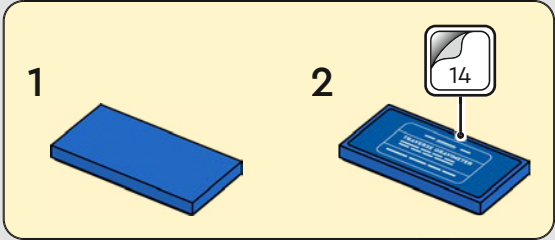
395



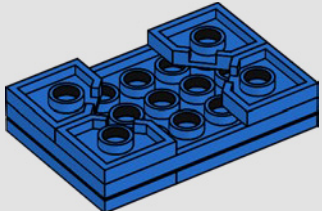


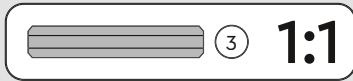
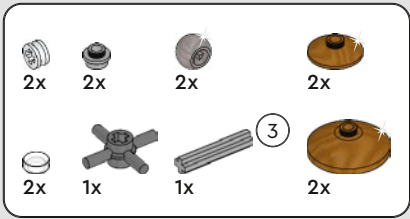


396

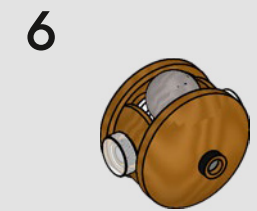
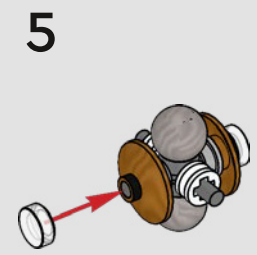
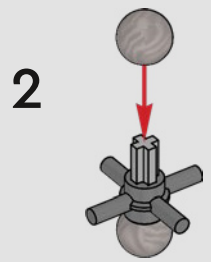
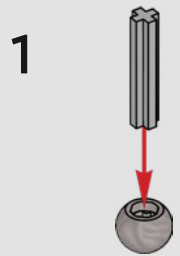


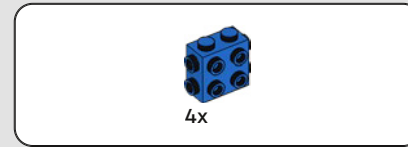
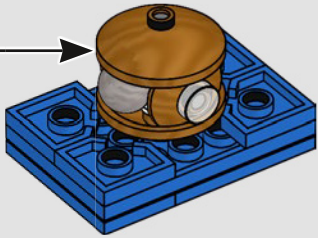
397



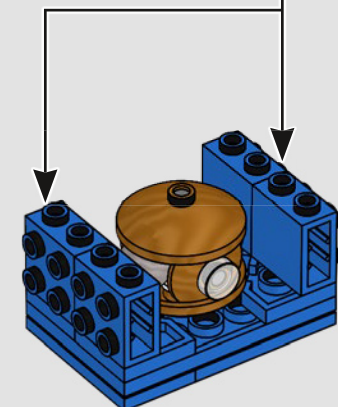
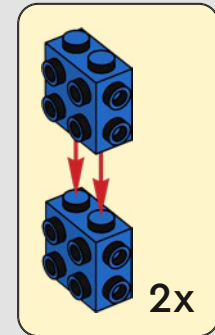


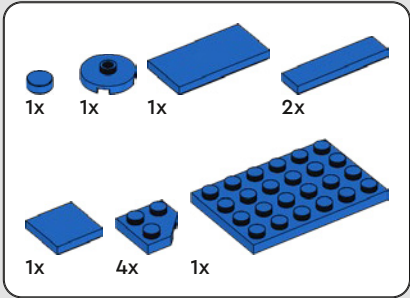
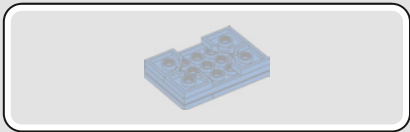
# 398





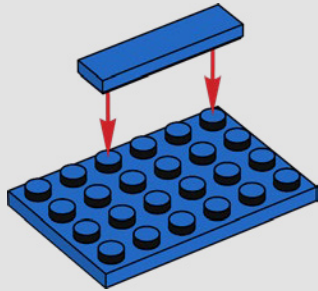
399



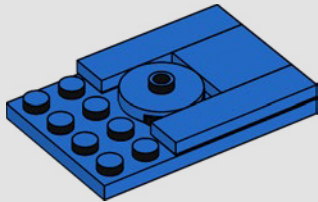


400

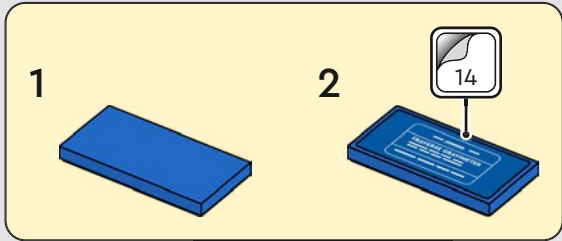
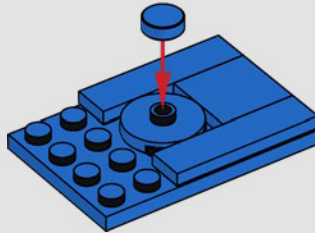
1



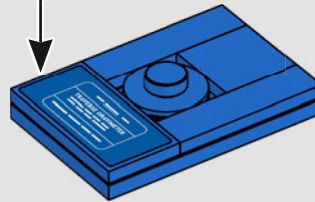
2



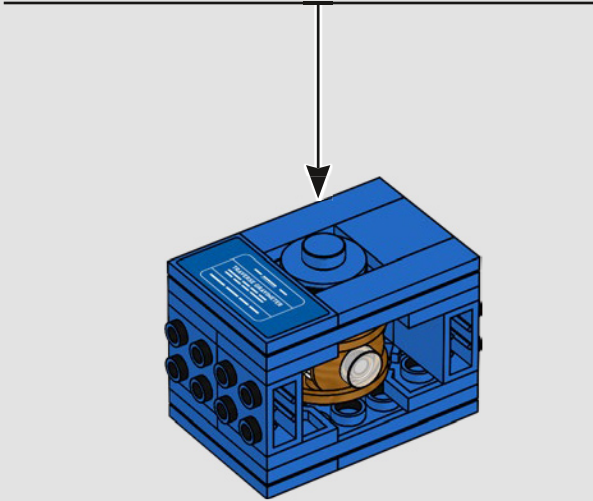
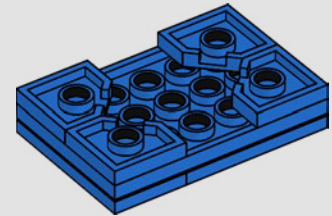
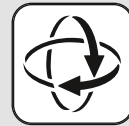
3



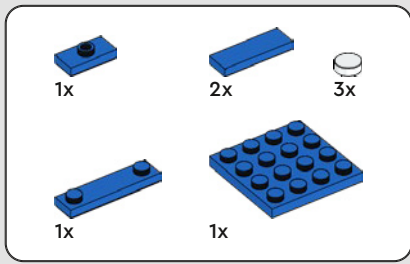
4



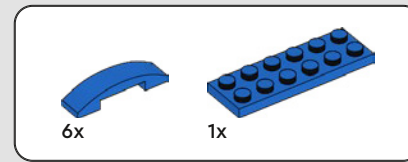
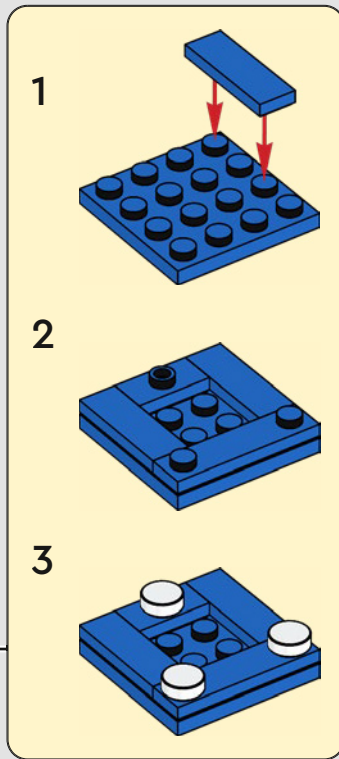
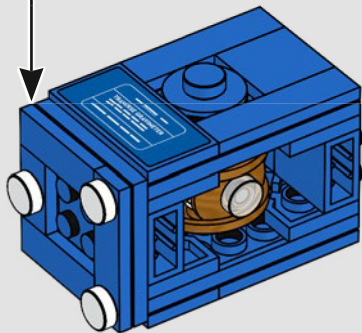
5



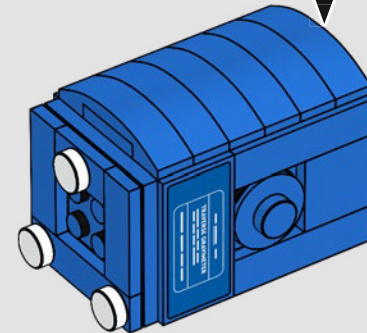
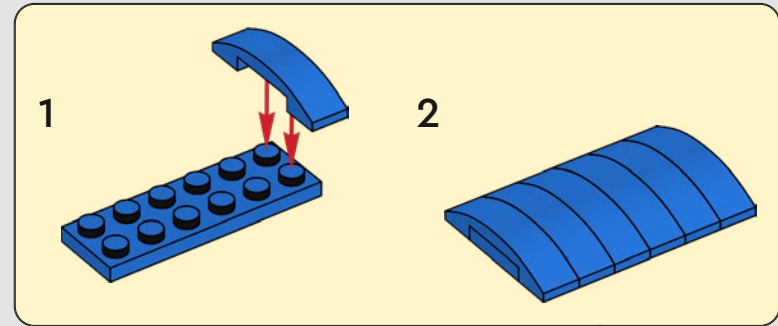




401



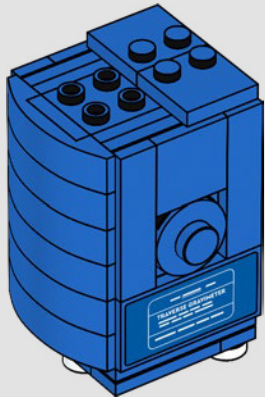
402





2x

# 403



2x



1x



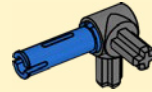
1x



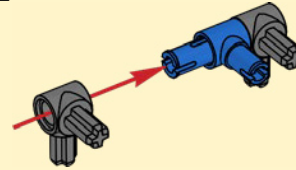
1x

# 404

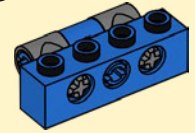
1



2



3



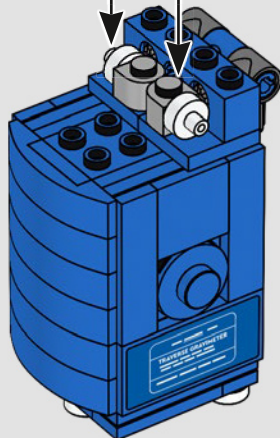
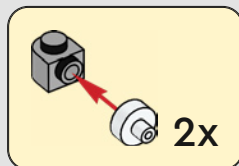


2x



2x

# 405

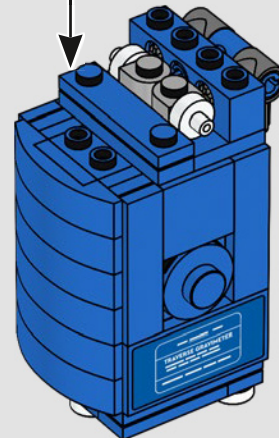
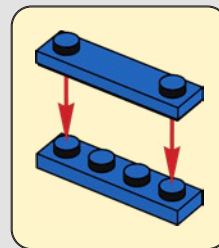


1x



1x

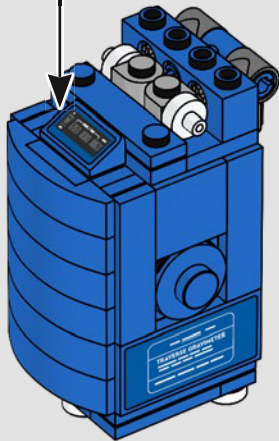
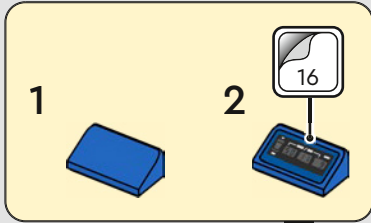
# 406





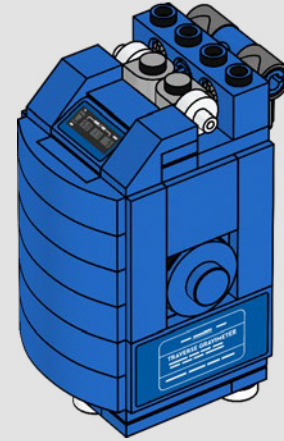
1x

# 407



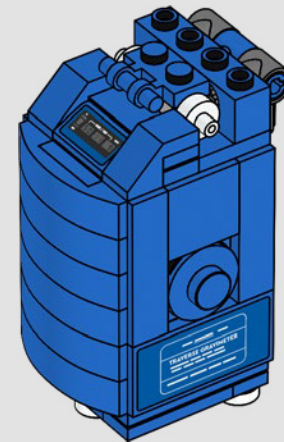
2x

# 408



1x

# 409

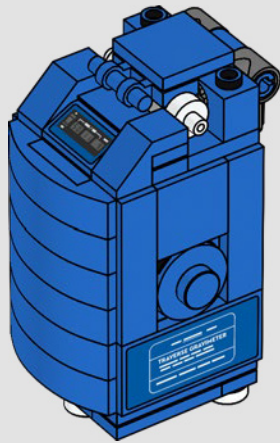






1x

# 410



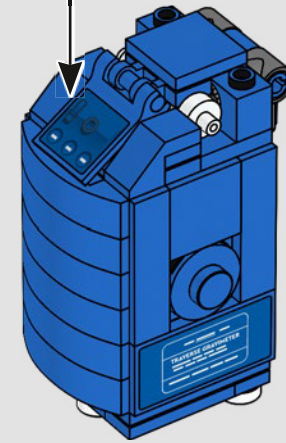
1x

# 411

1



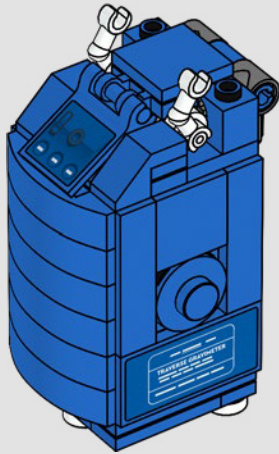
2





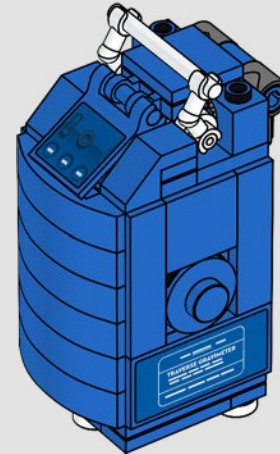
2x

# 412

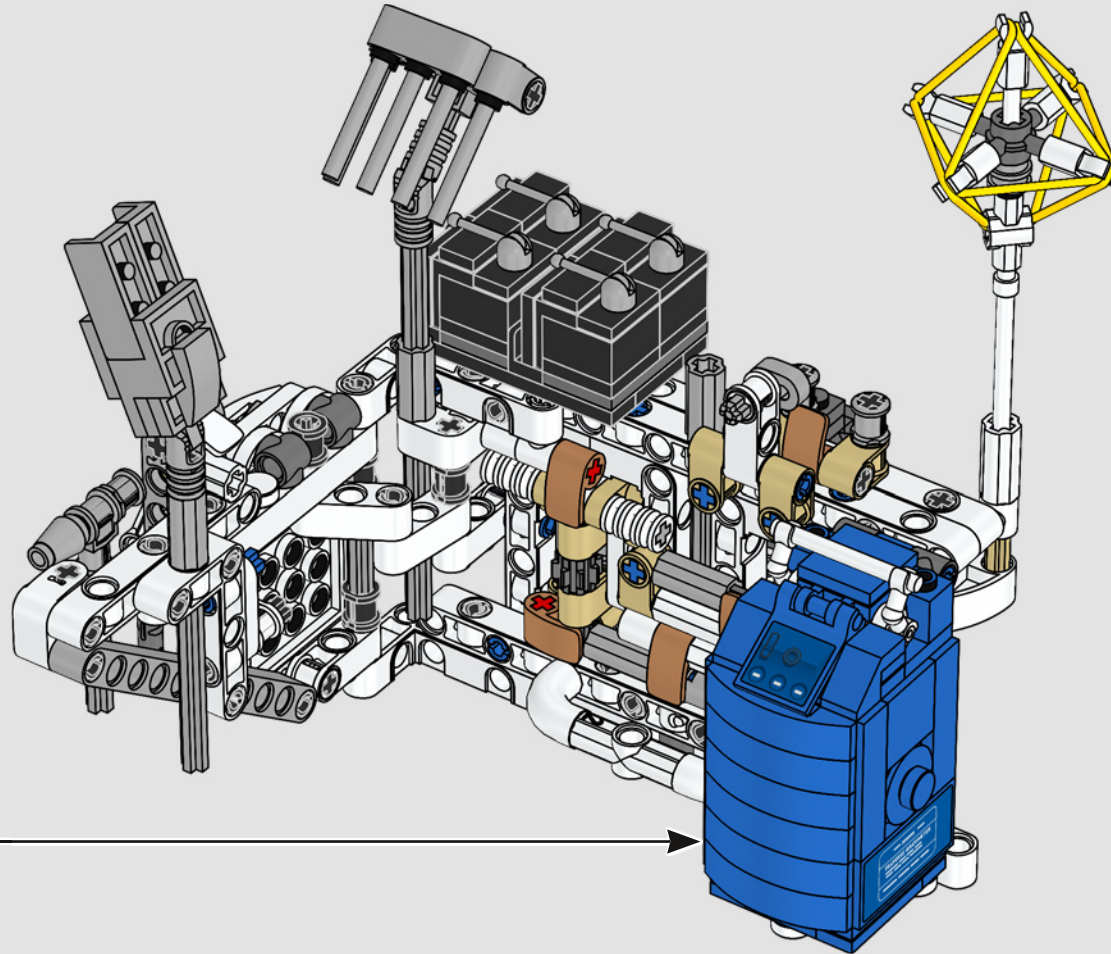


1x

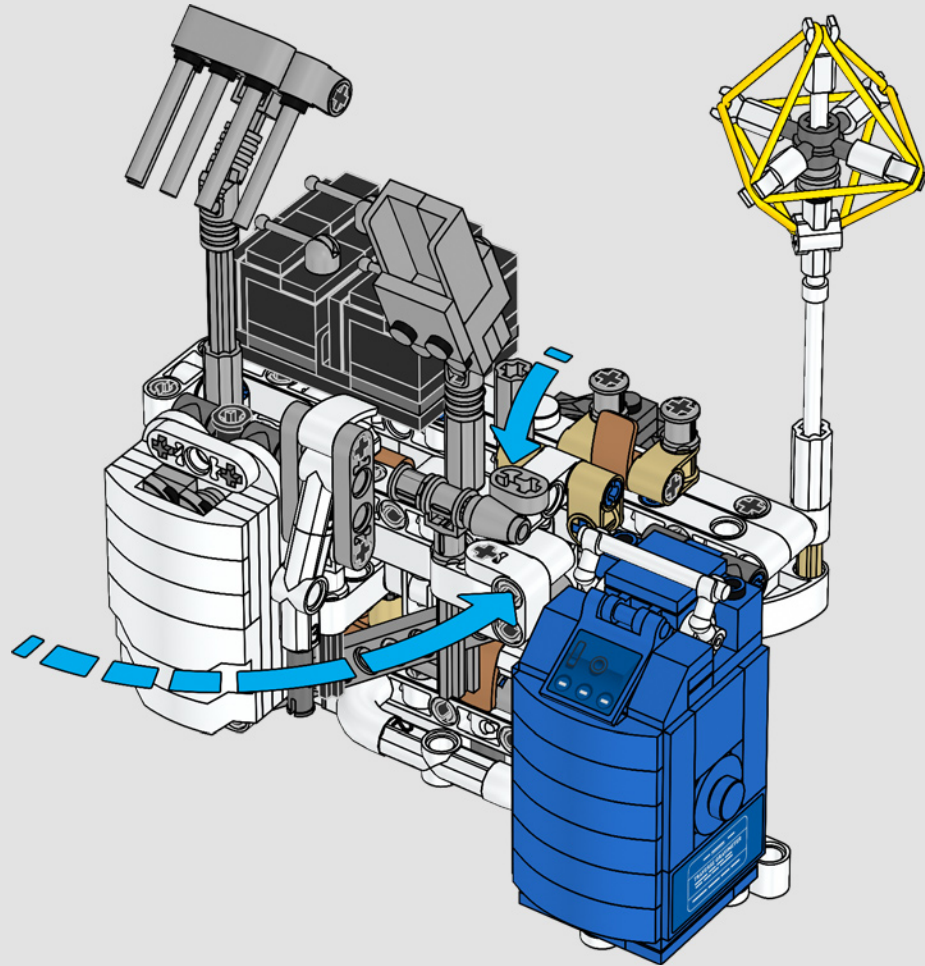
# 413



414

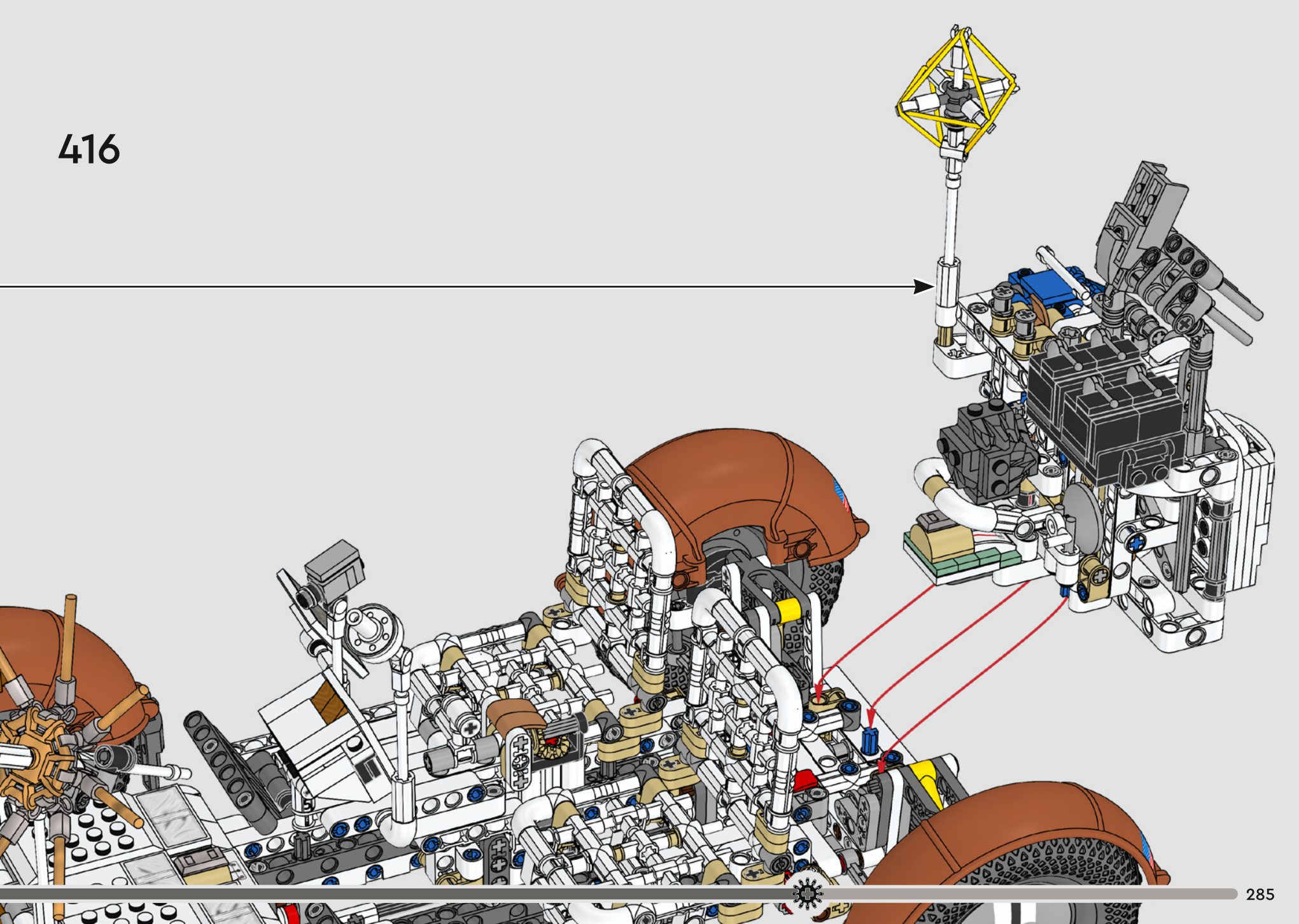


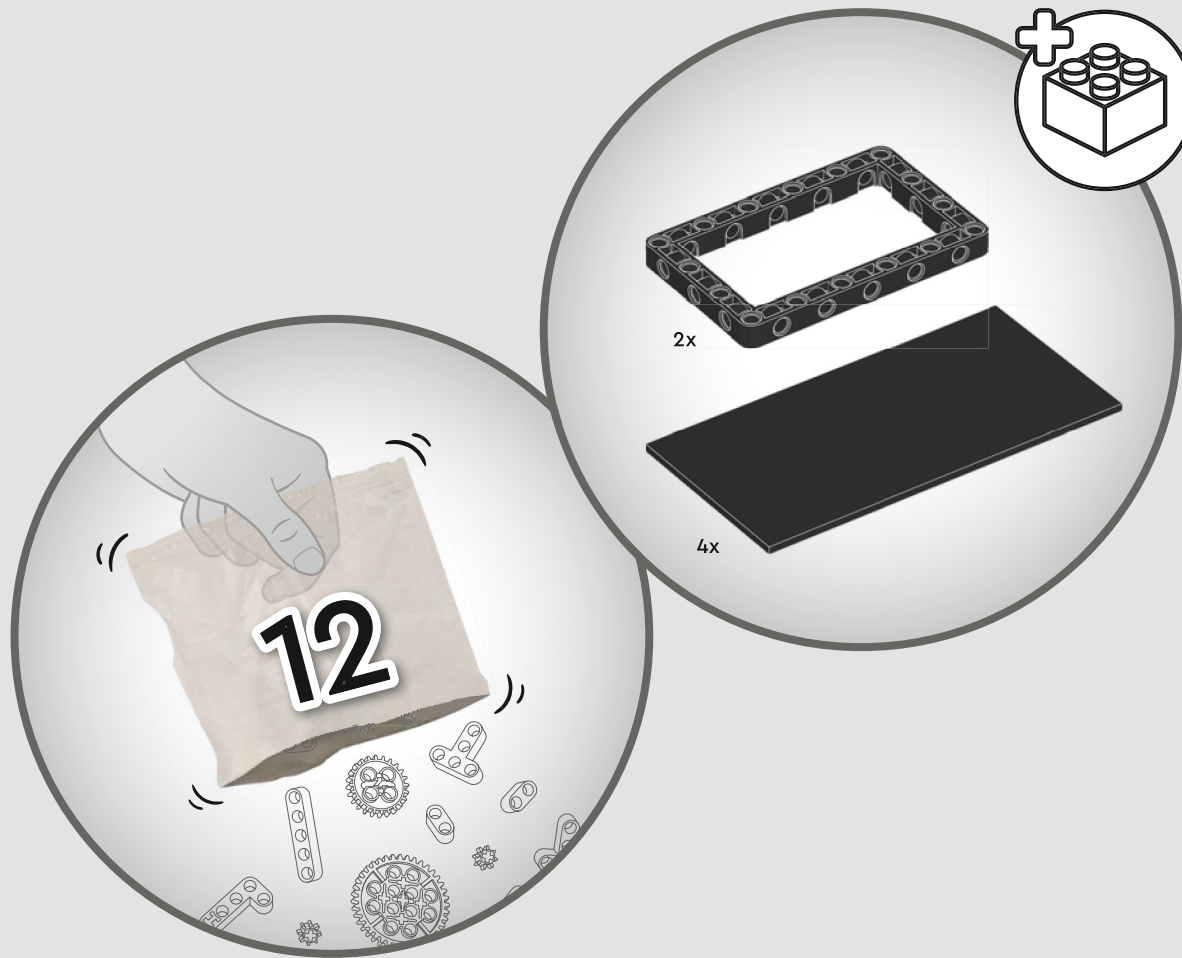
415

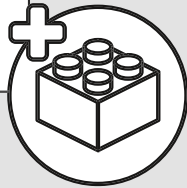
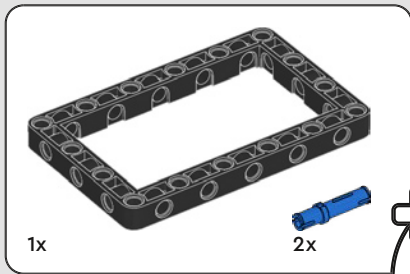
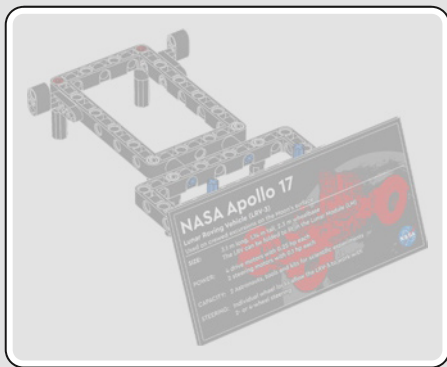




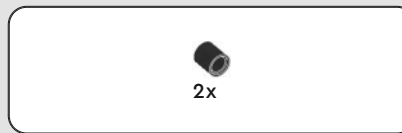
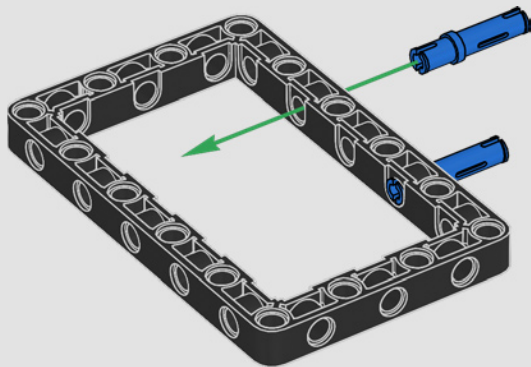
416



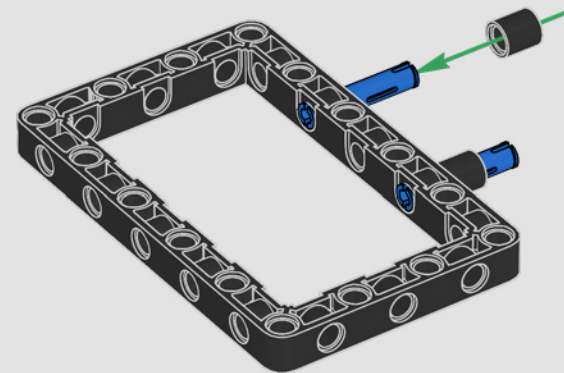


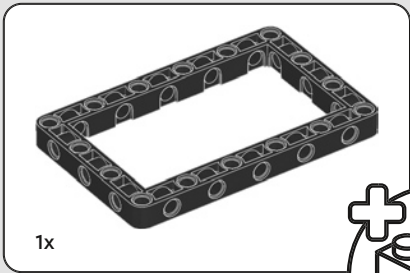


417

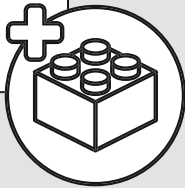


418

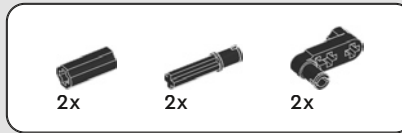
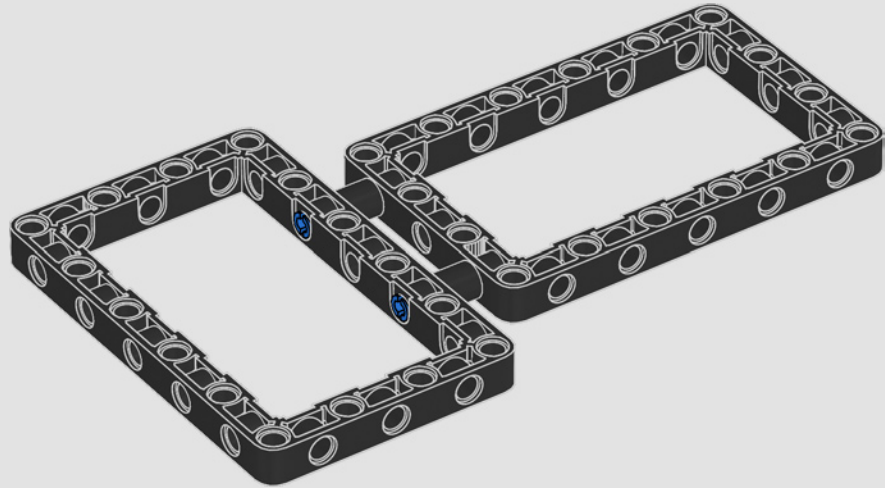




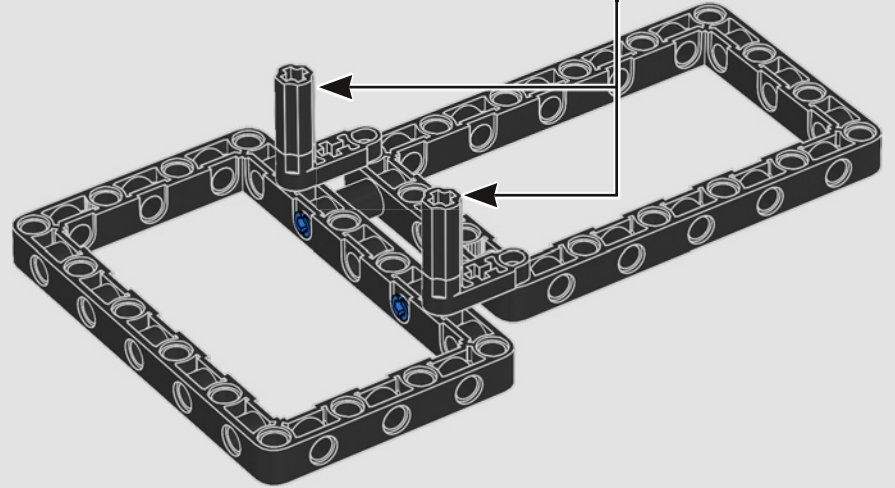
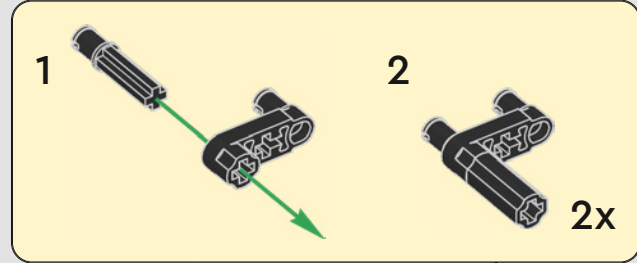
1x



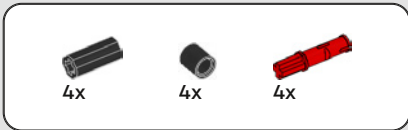
419



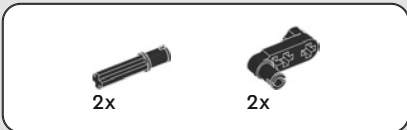
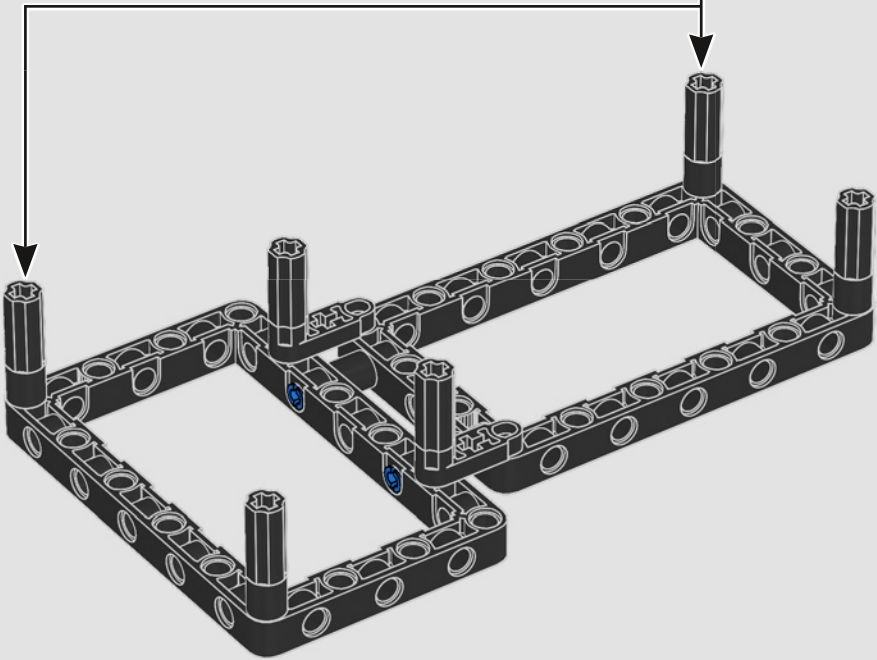
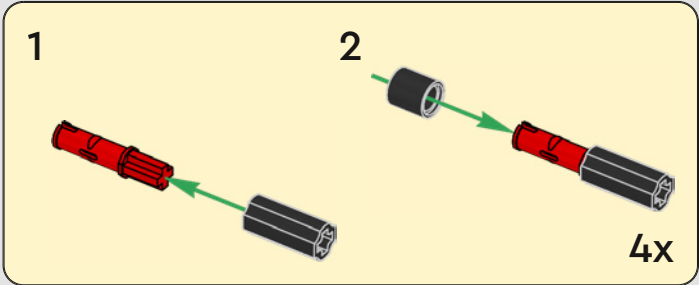
420



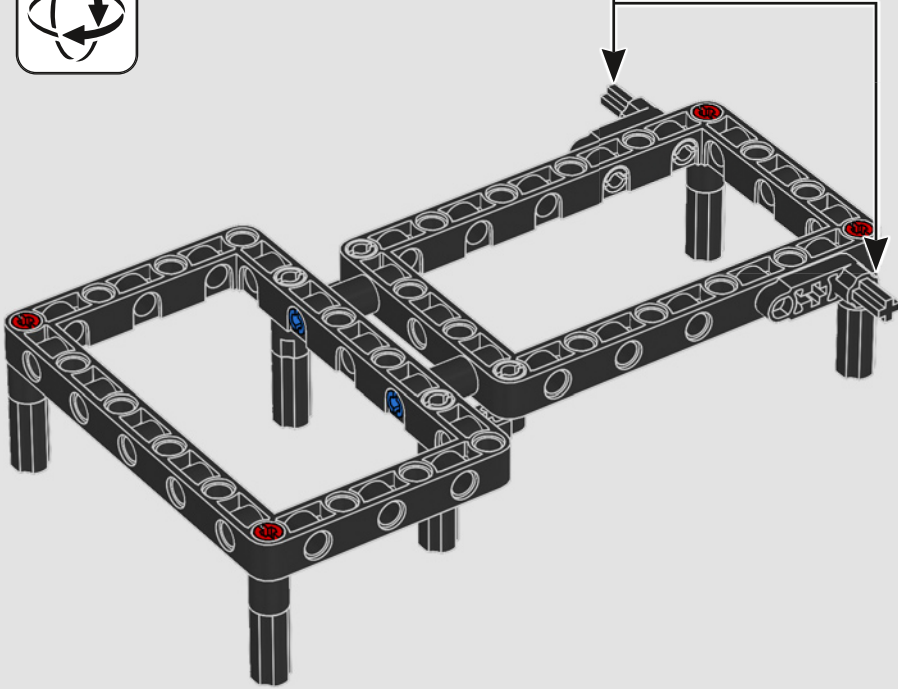
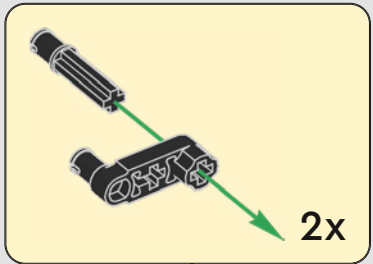




421



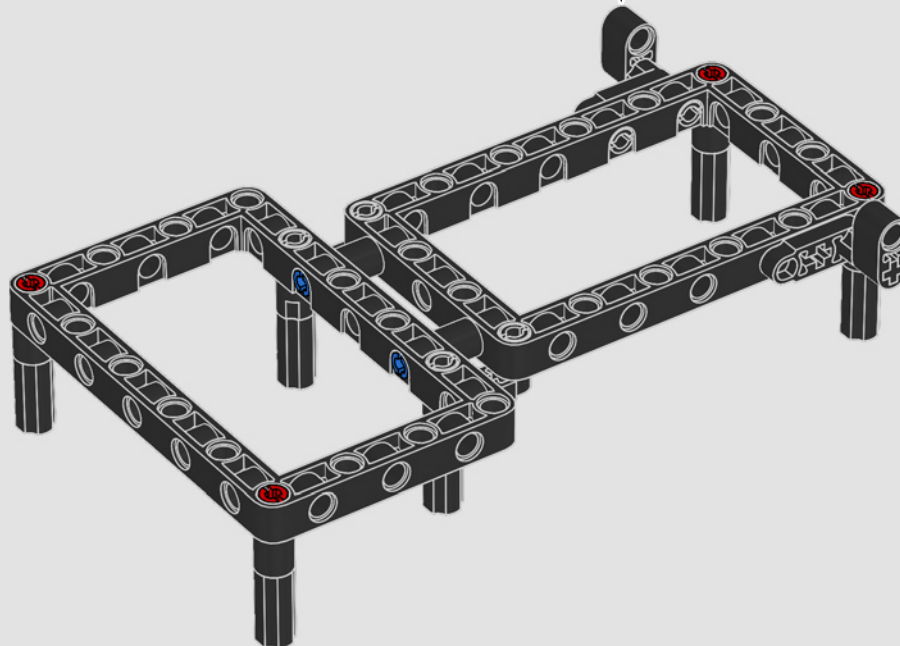
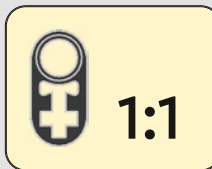
422

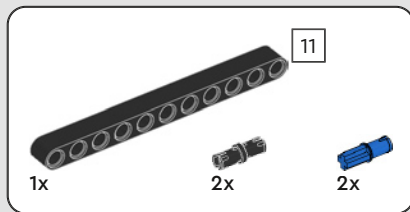




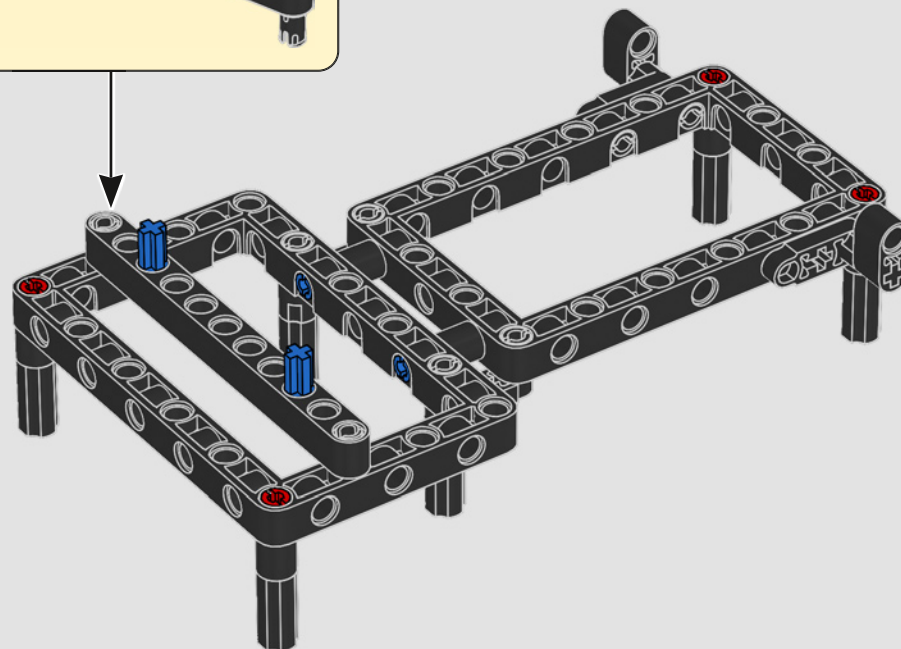
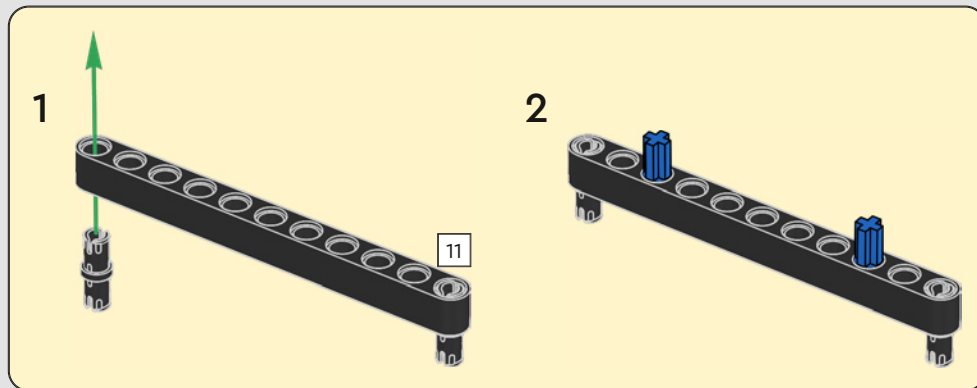
2x

423





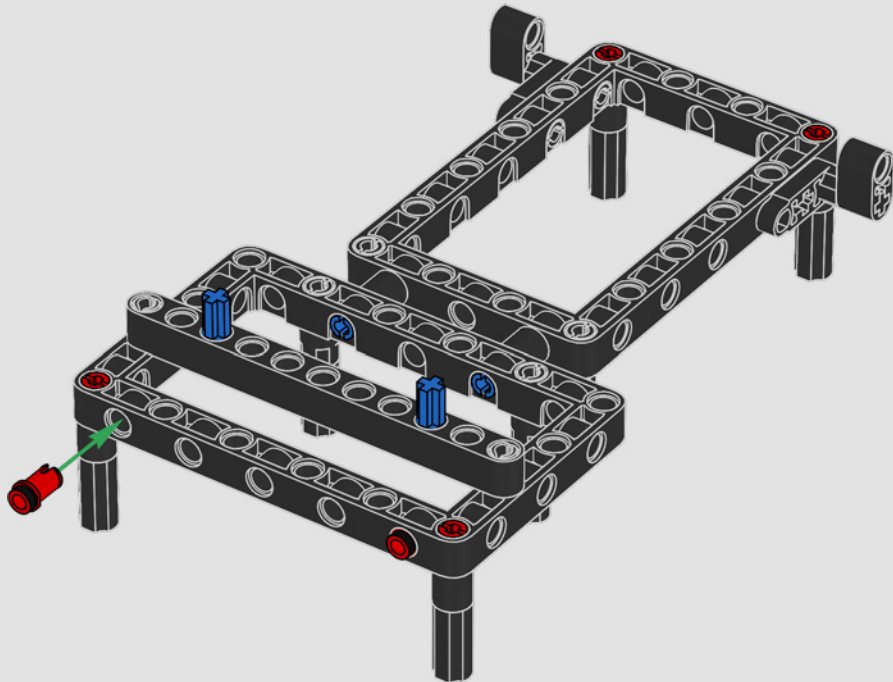
424





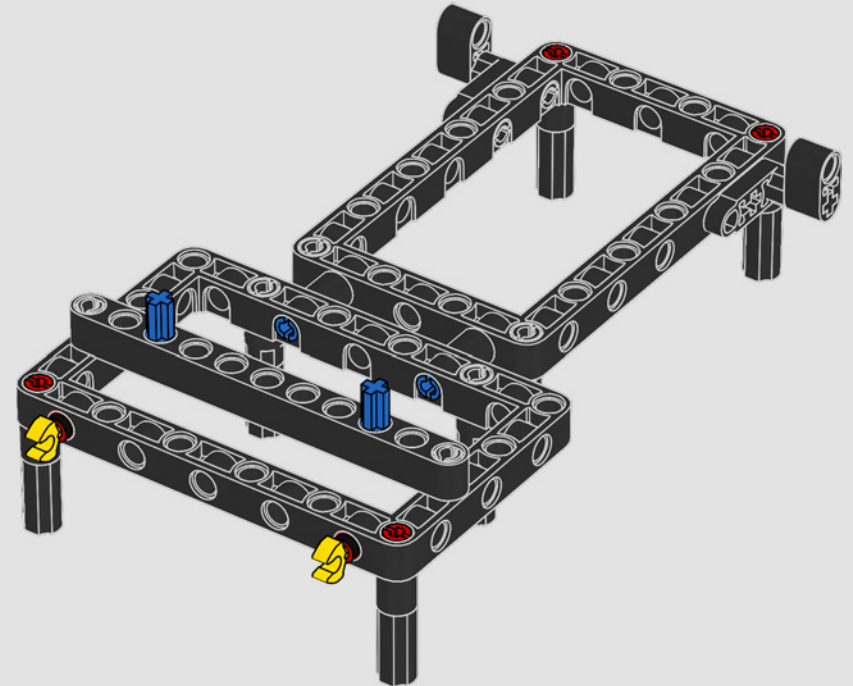
2x

425

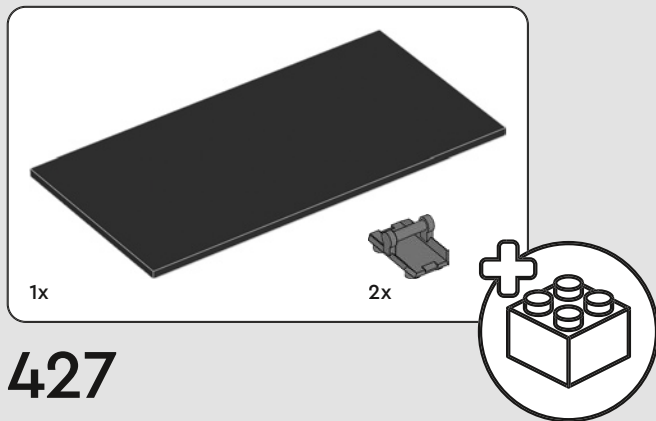


2x

426

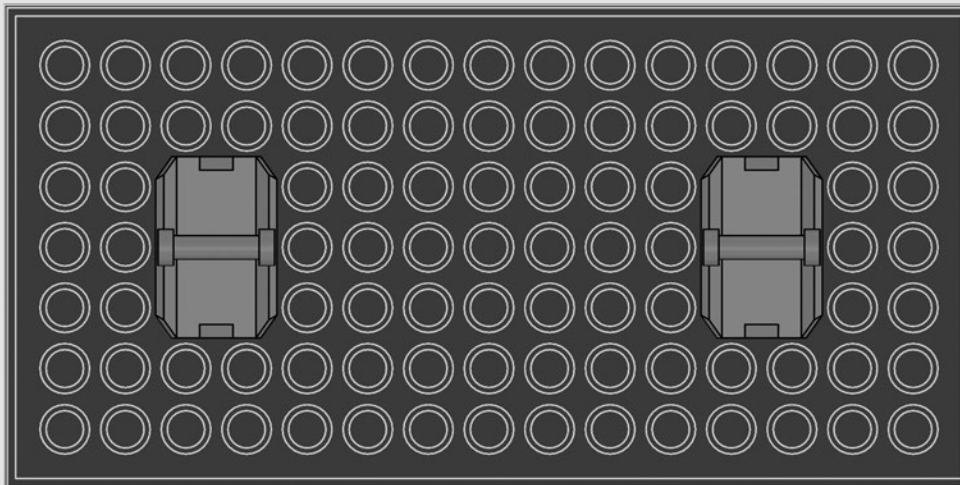






427

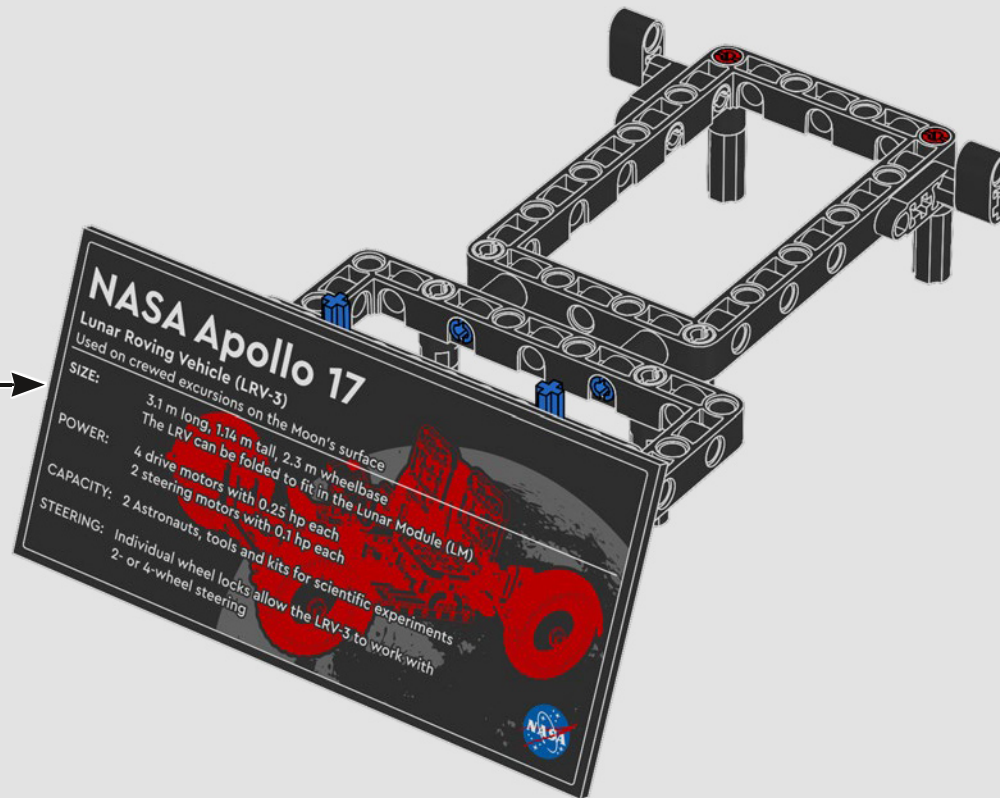
1



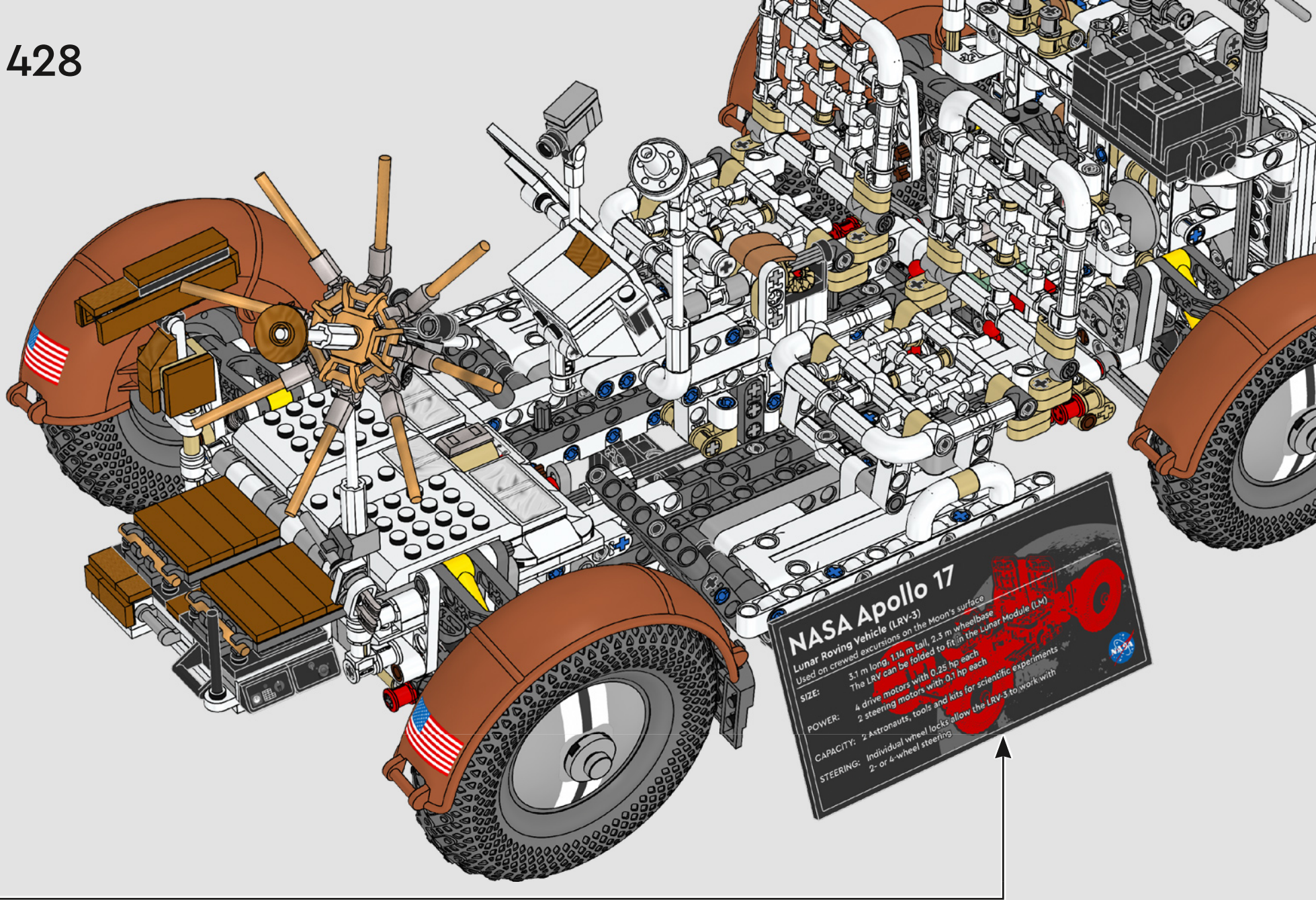
1:1

2









## NASA Apollo 17

Lunar Roving Vehicle (LRV-3)

Used on crewed excursions on the Moon's surface

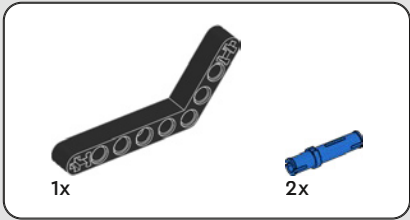
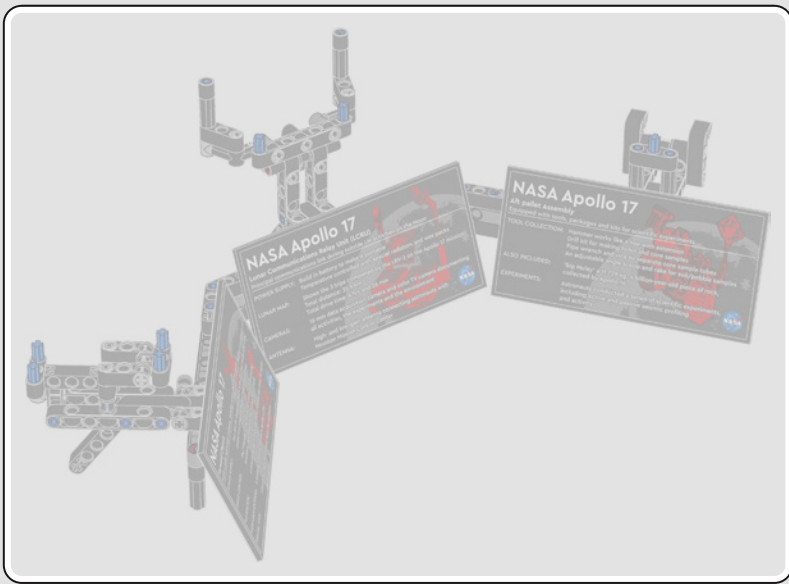
SIZE: 3.1 m long, 1.14 m tall, 2.5 m wheelbase  
The LRV can be folded to fit in the Lunar Module (LM)

POWER: 4 drive motors with 0.25 hp each  
2 steering motors with 0.1 hp each

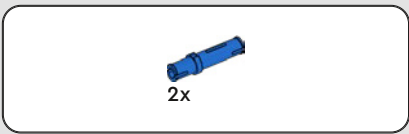
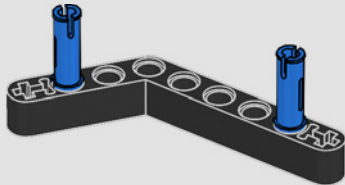
CAPACITY: 2 Astronauts, tools and kits for scientific experiments

STEERING: Individual wheel locks allow the LRV-3 to work with  
2- or 4-wheel steering

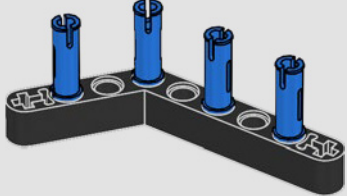




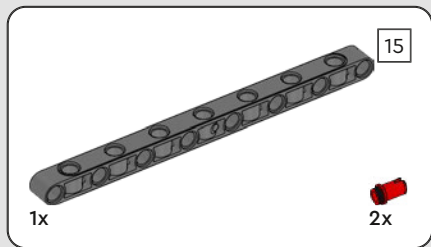
429



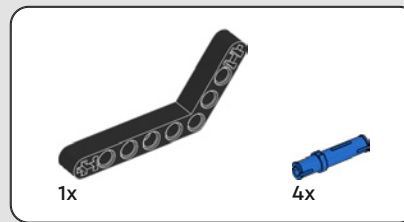
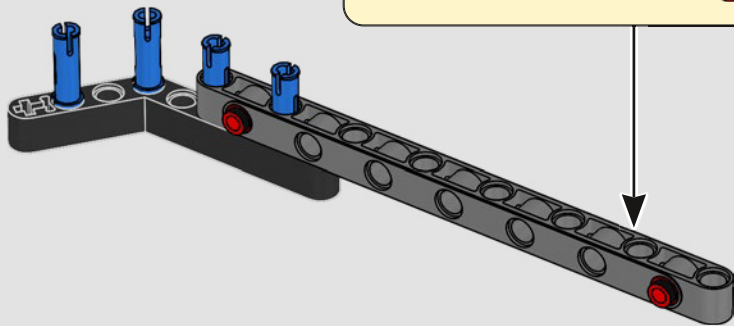
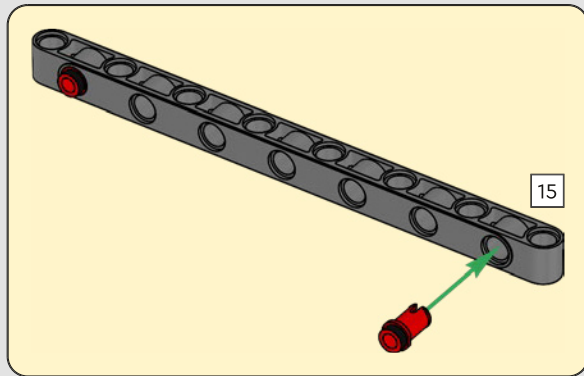
430



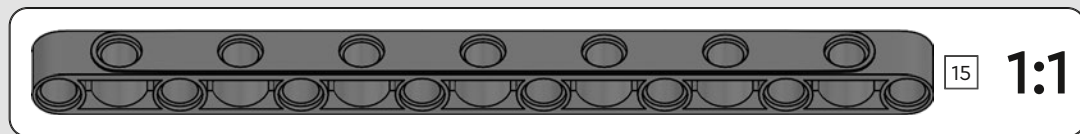
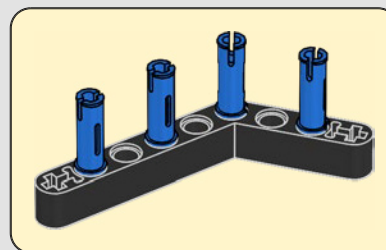
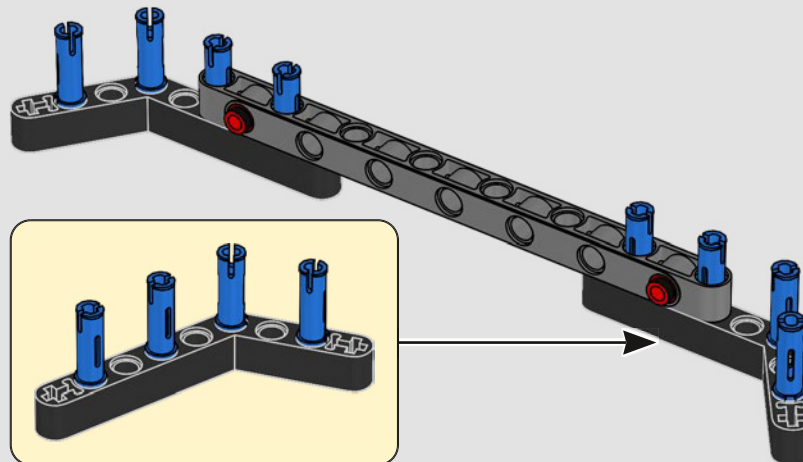


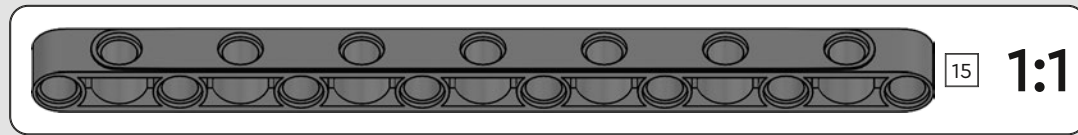
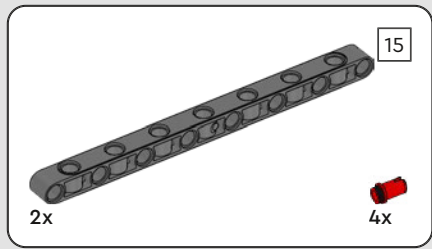


431

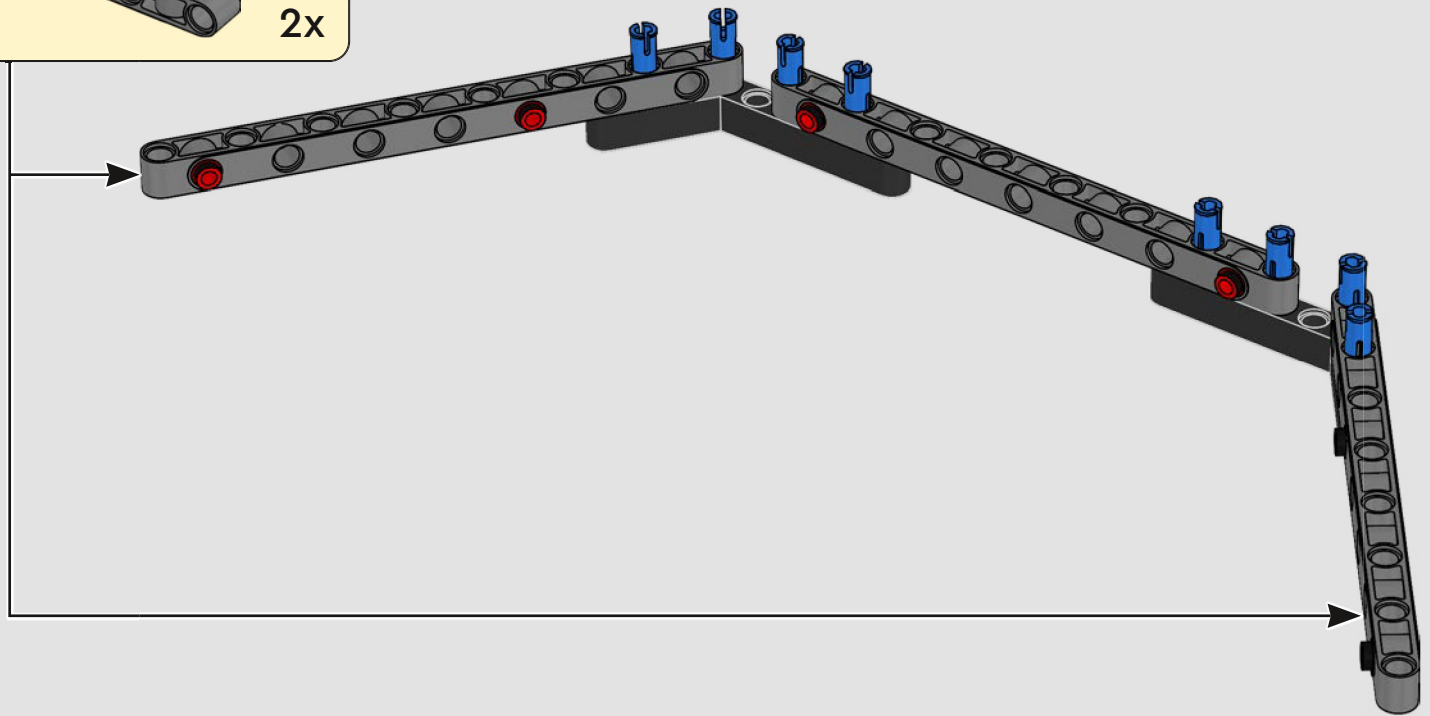
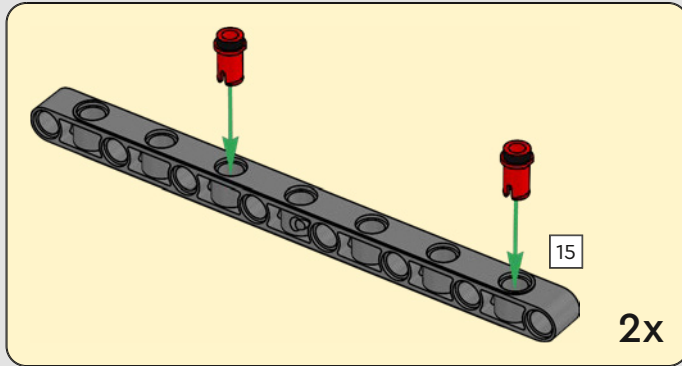


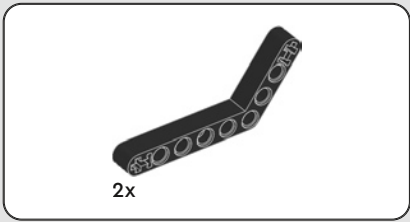
432



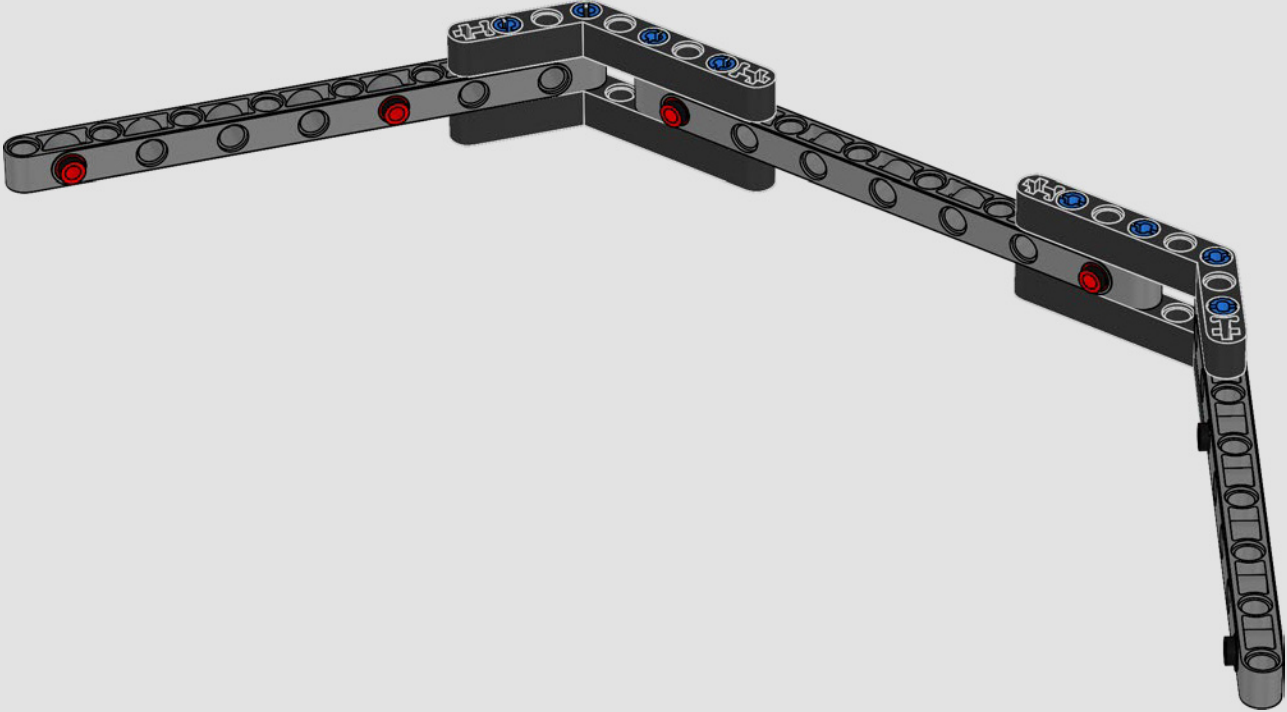


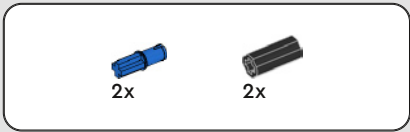
433



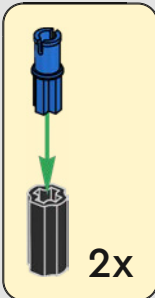
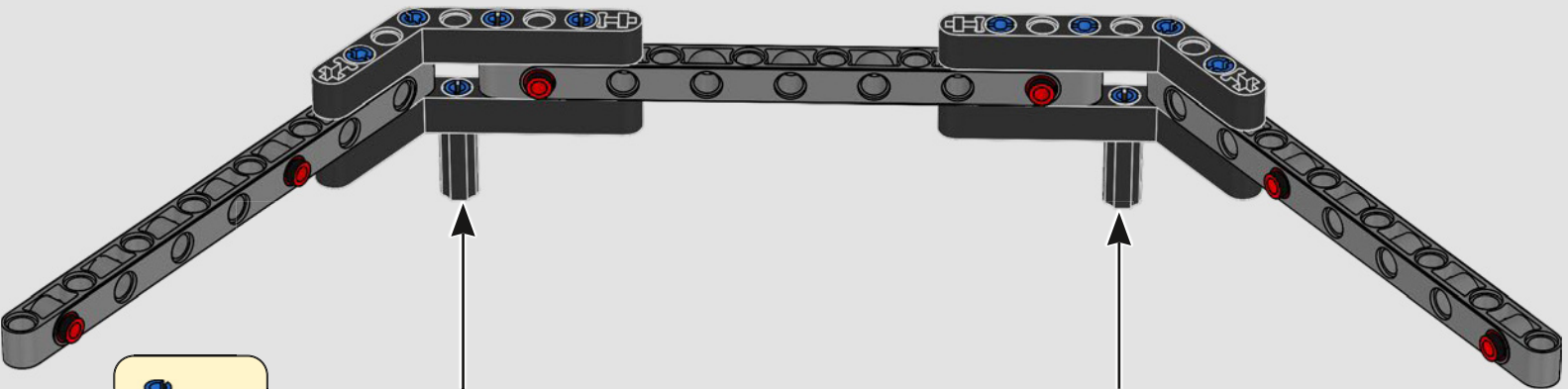


434





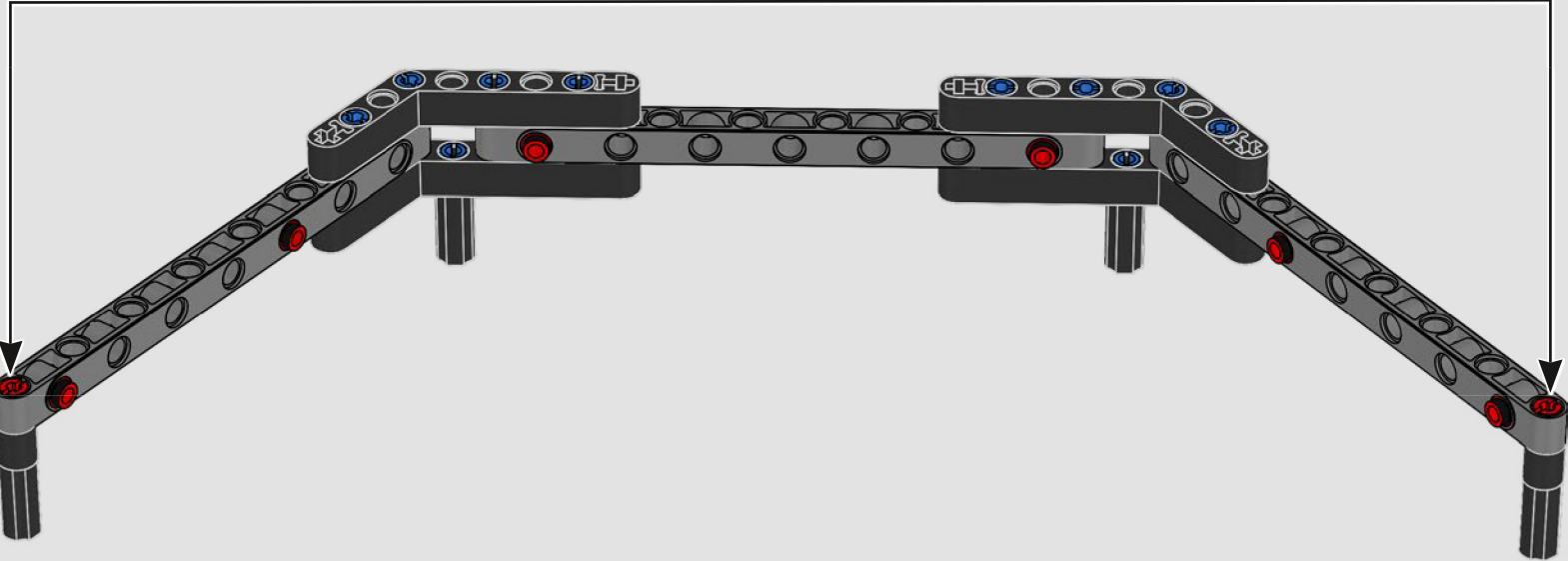
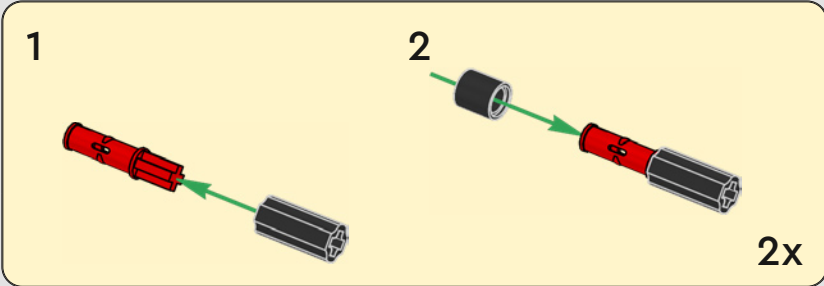
435







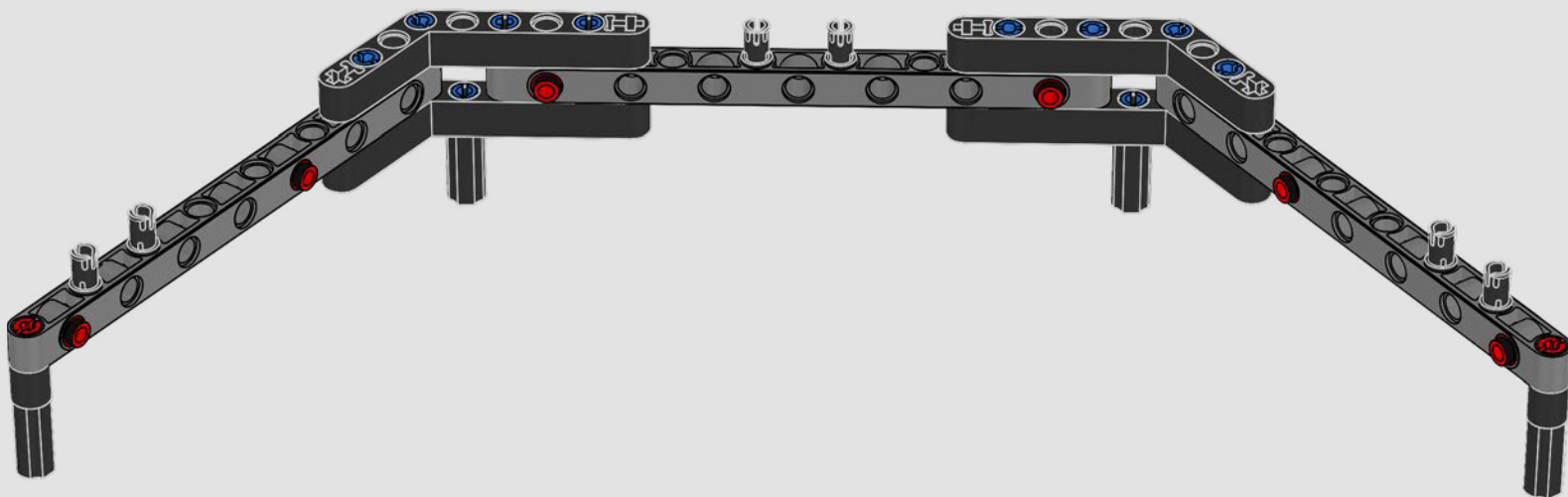
436

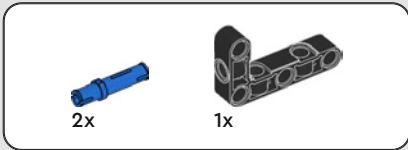
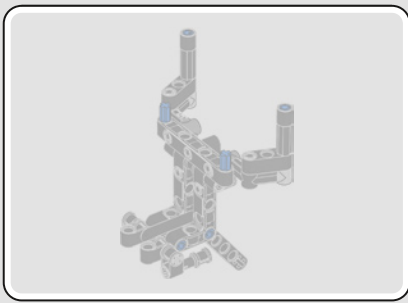




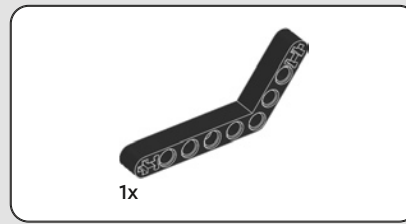
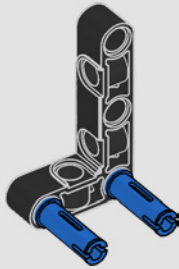
6x

437

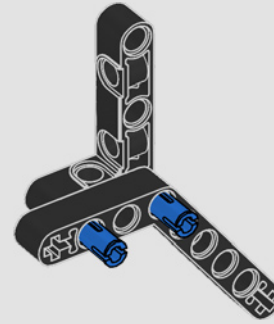




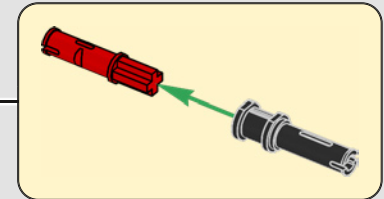
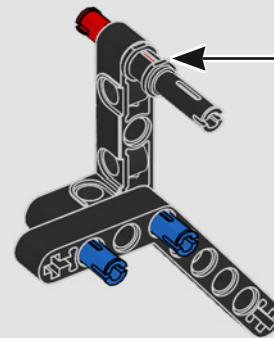
438

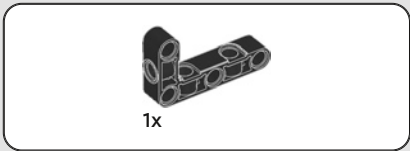


439

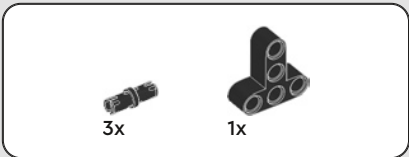
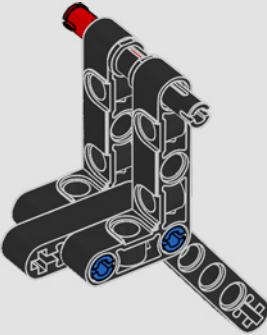


440

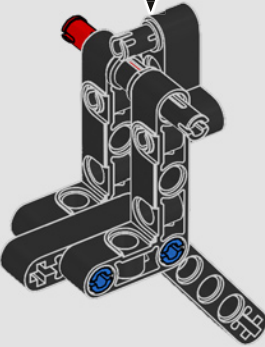
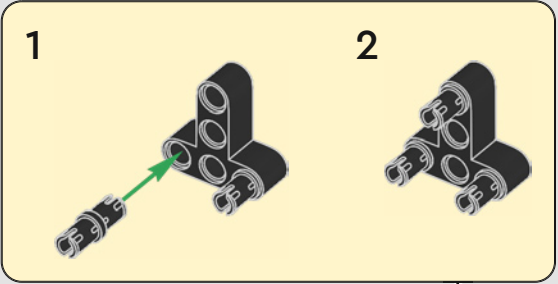




441



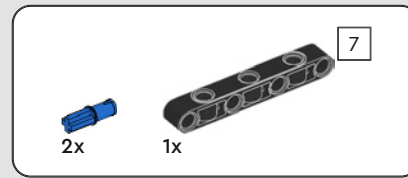
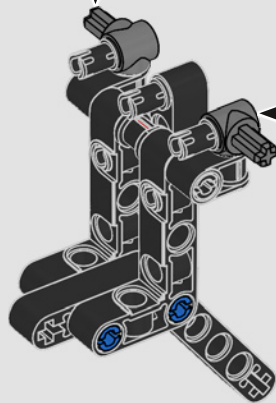
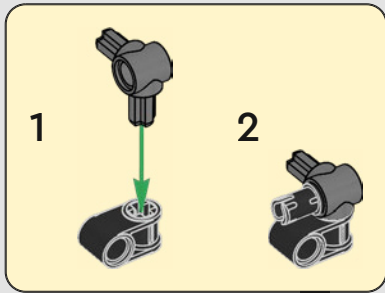
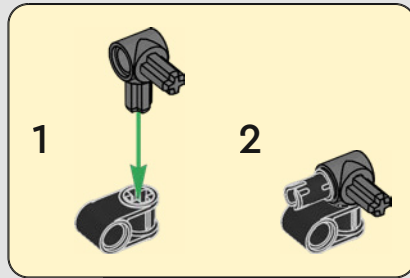
442



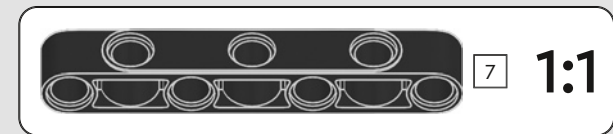
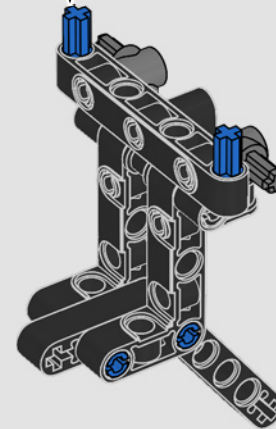
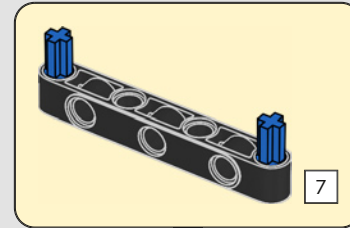


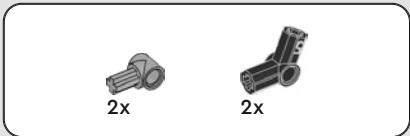


443

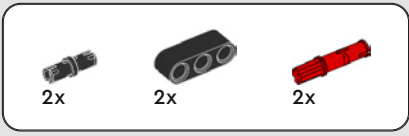
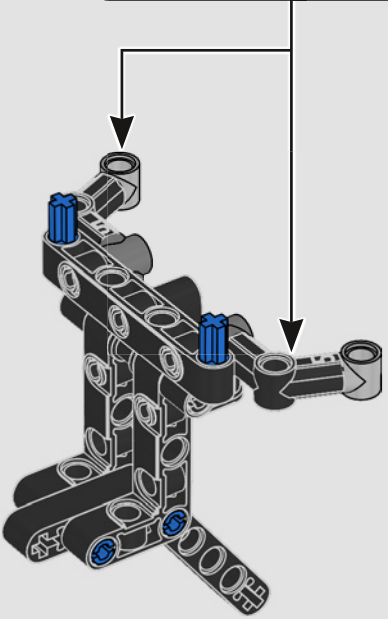
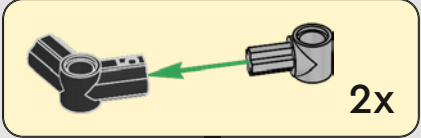


444

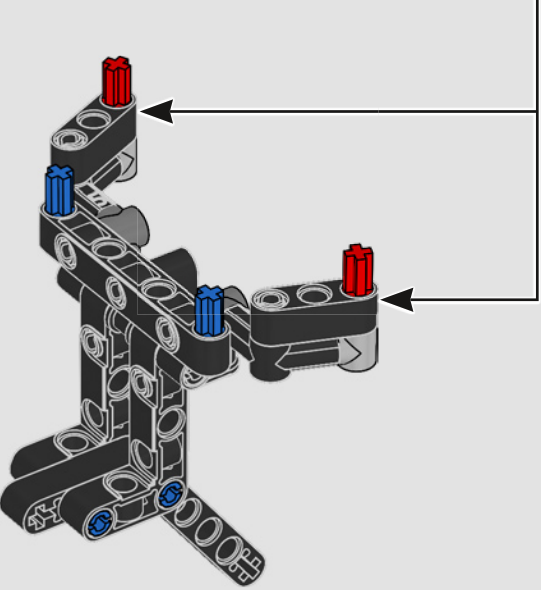
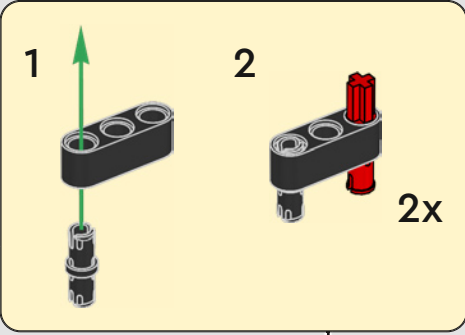


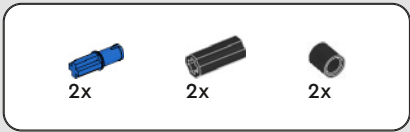


# 445

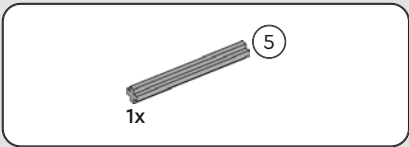
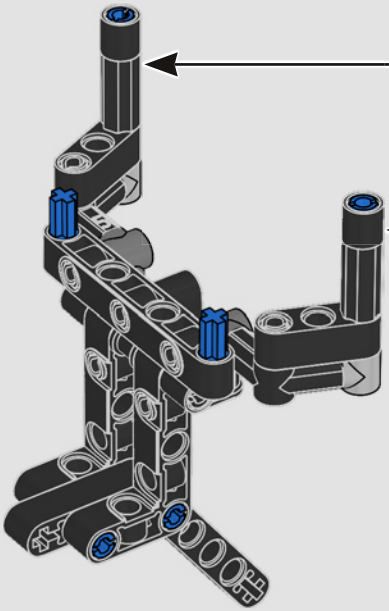
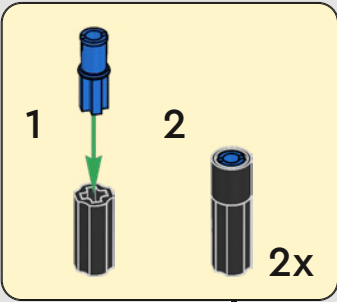


# 446

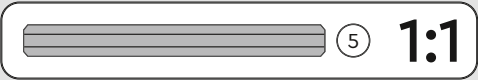
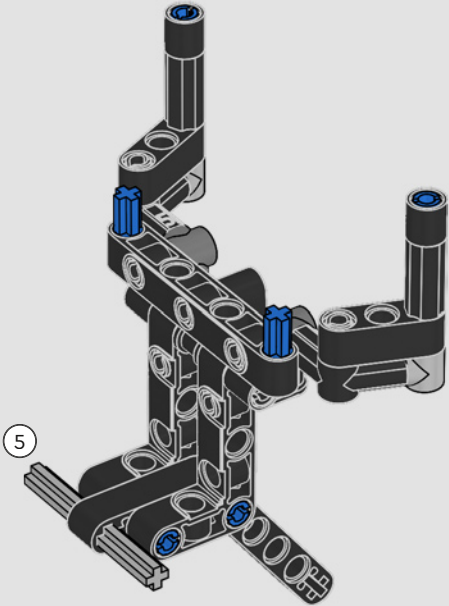




447



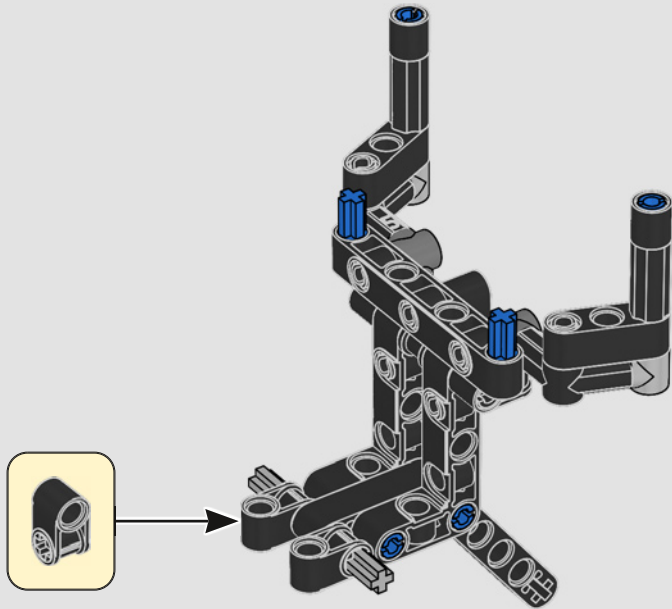
448





2x

# 449

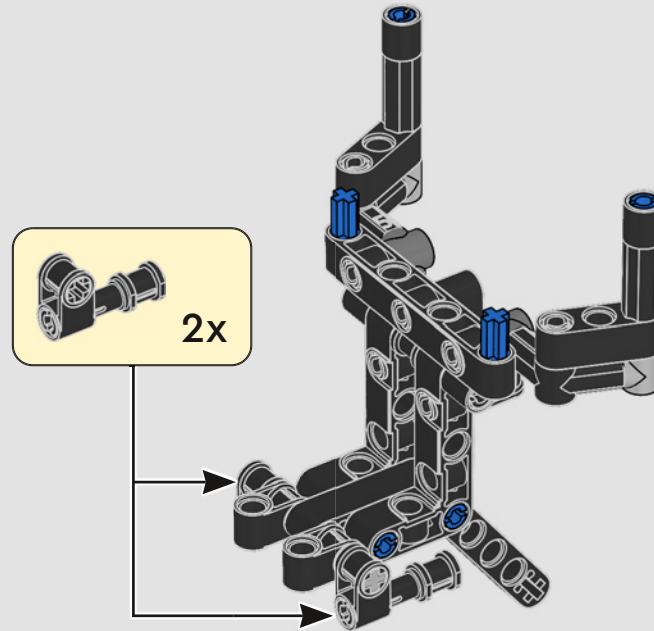


2x

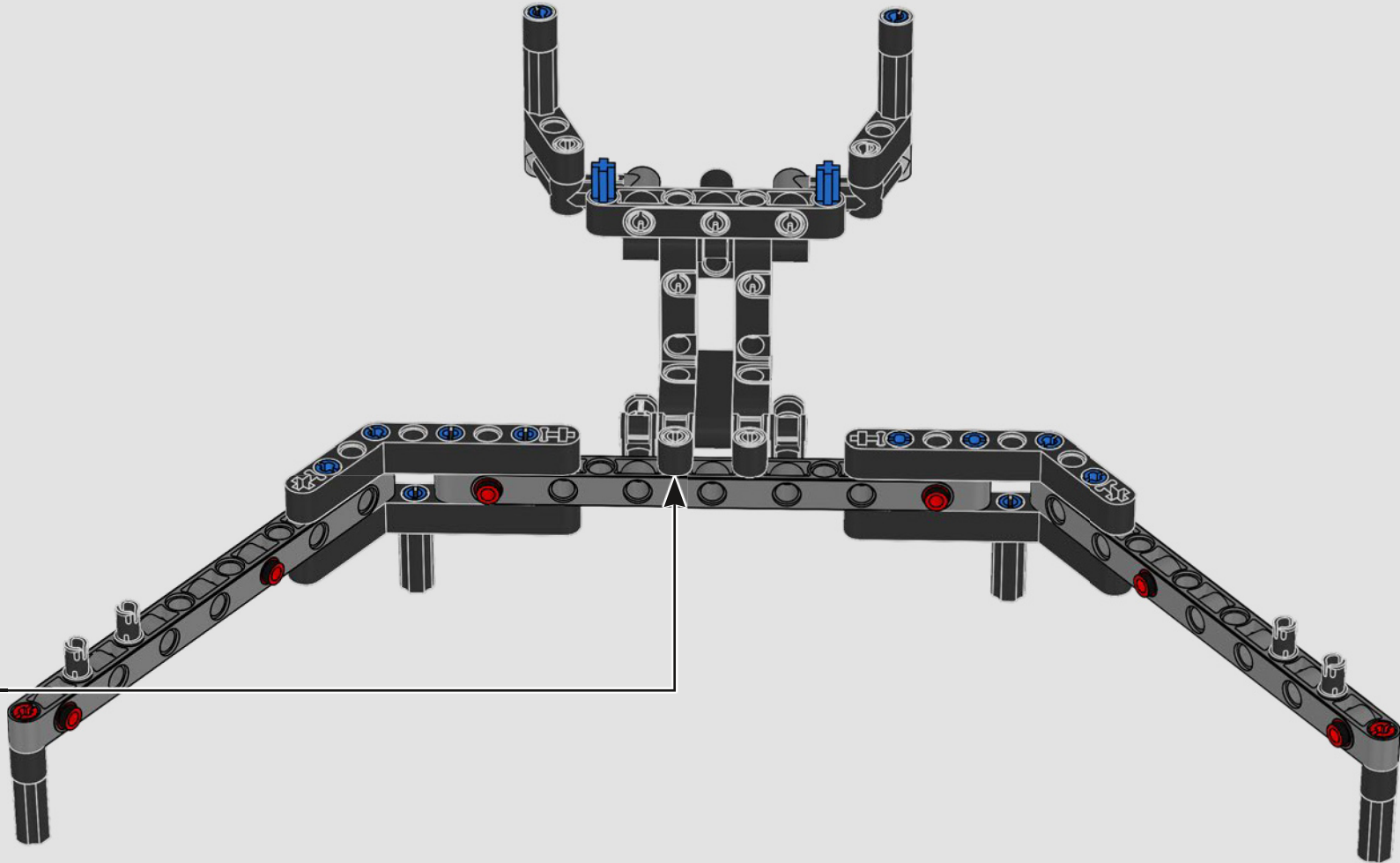


2x

# 450

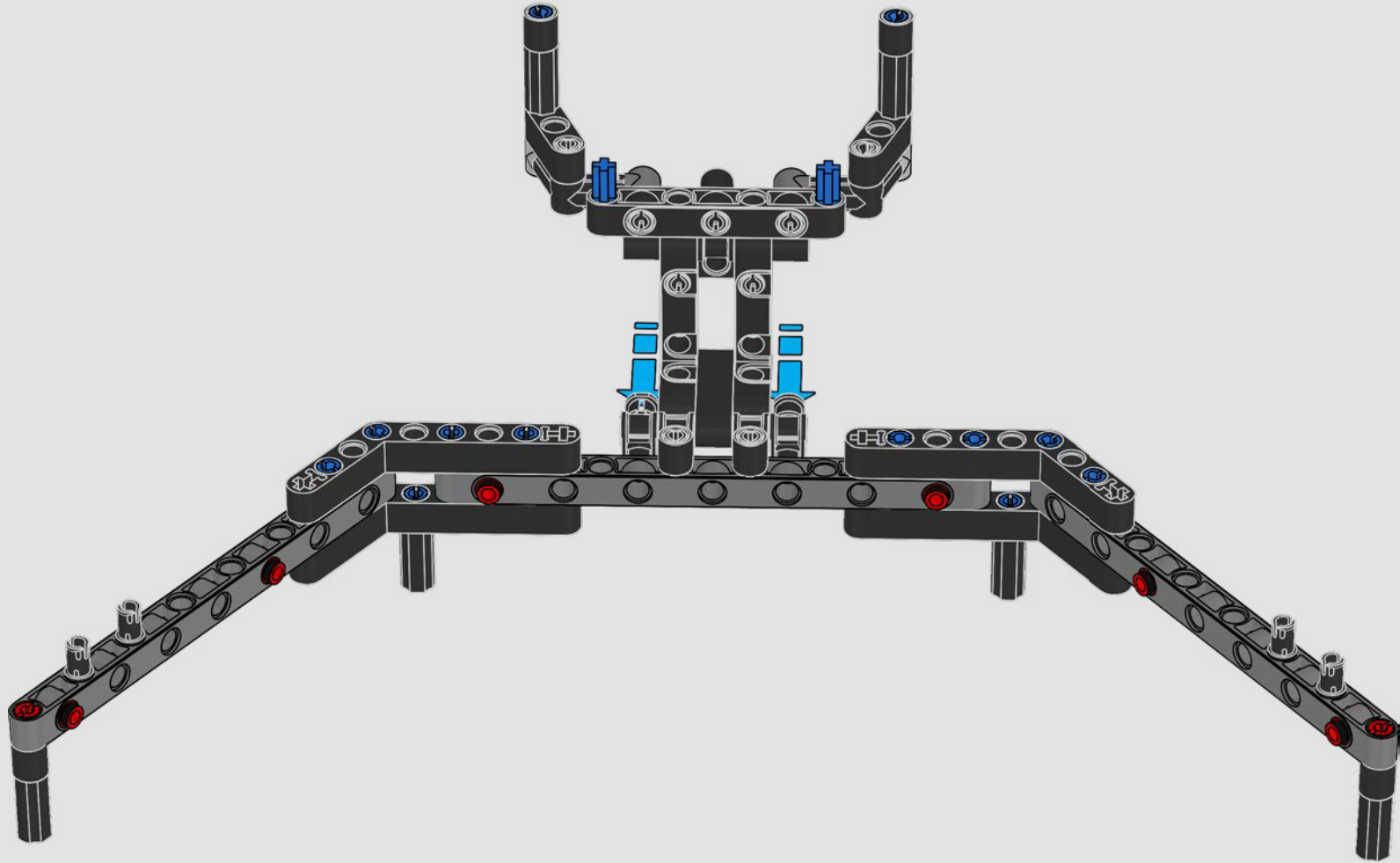


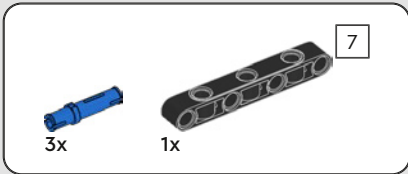
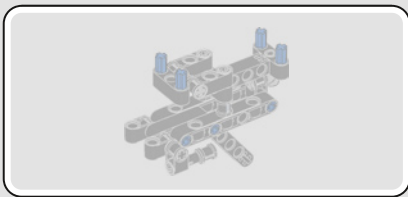
451



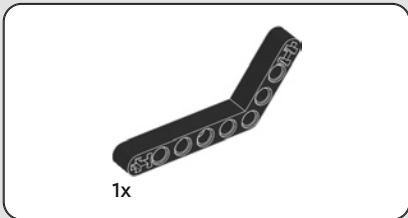
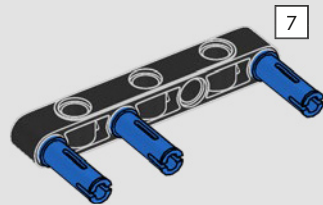


452

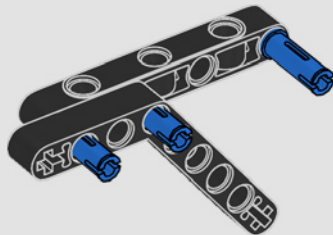




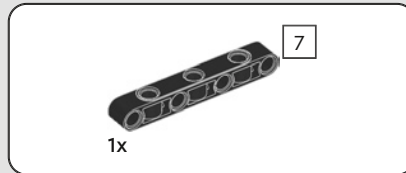
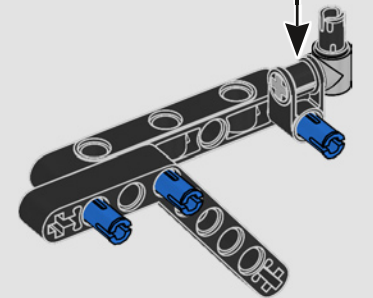
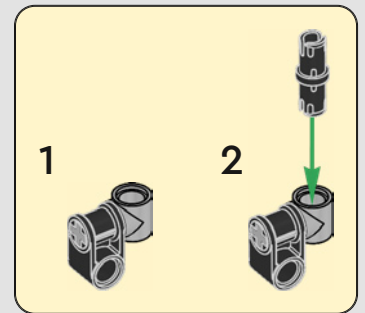
453



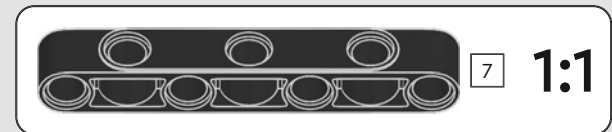
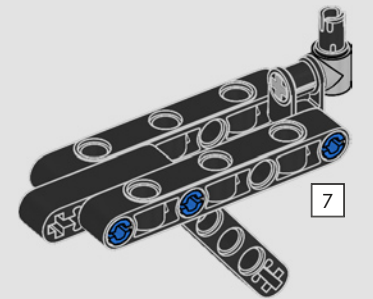
454



455

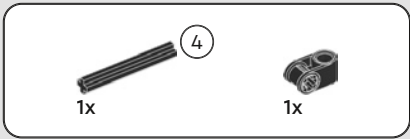


456

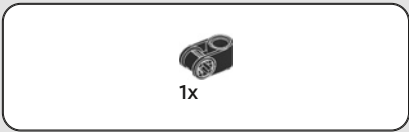
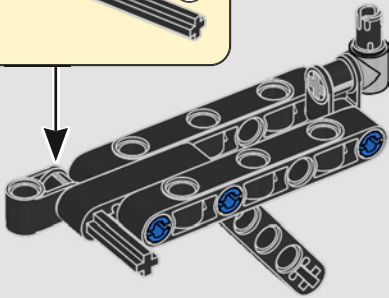
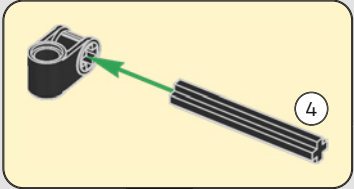


7 1:1

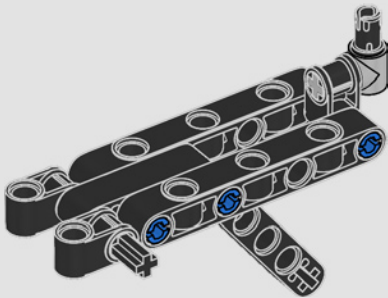


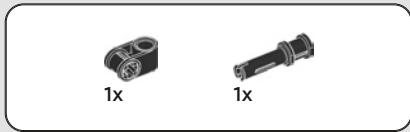


457

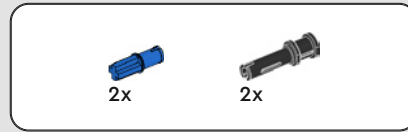
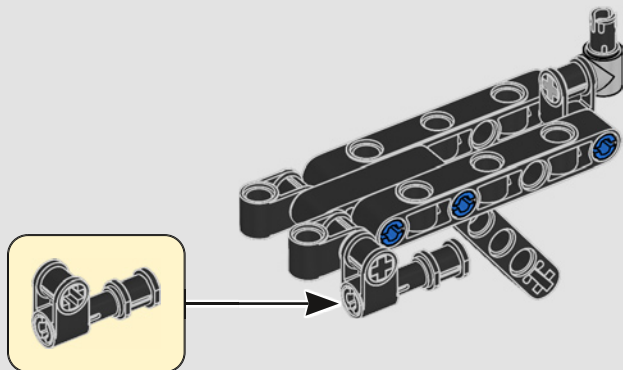


458

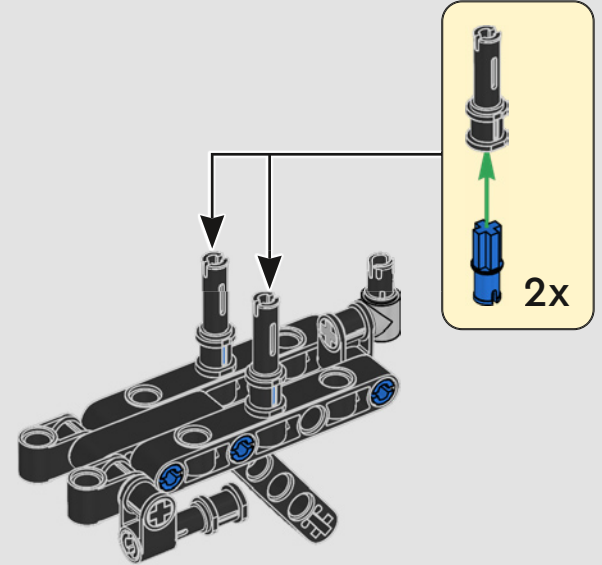


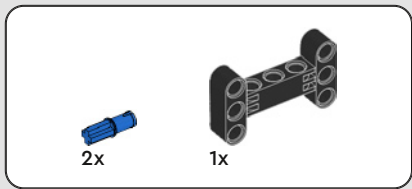


459

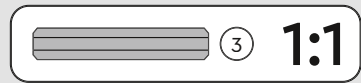
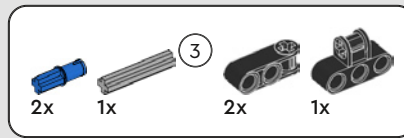
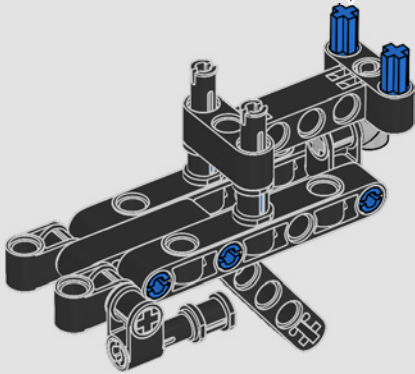
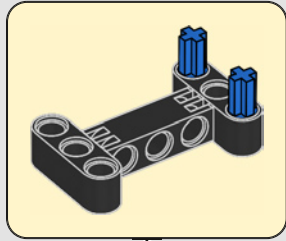


460

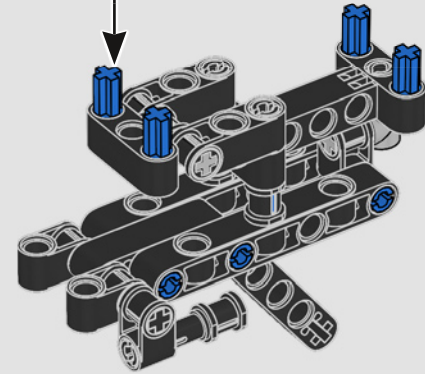
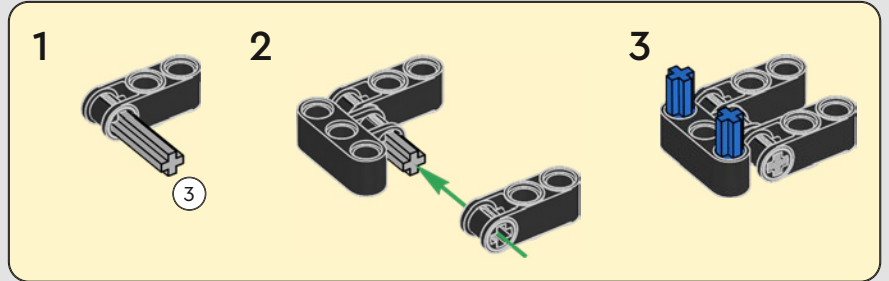




461

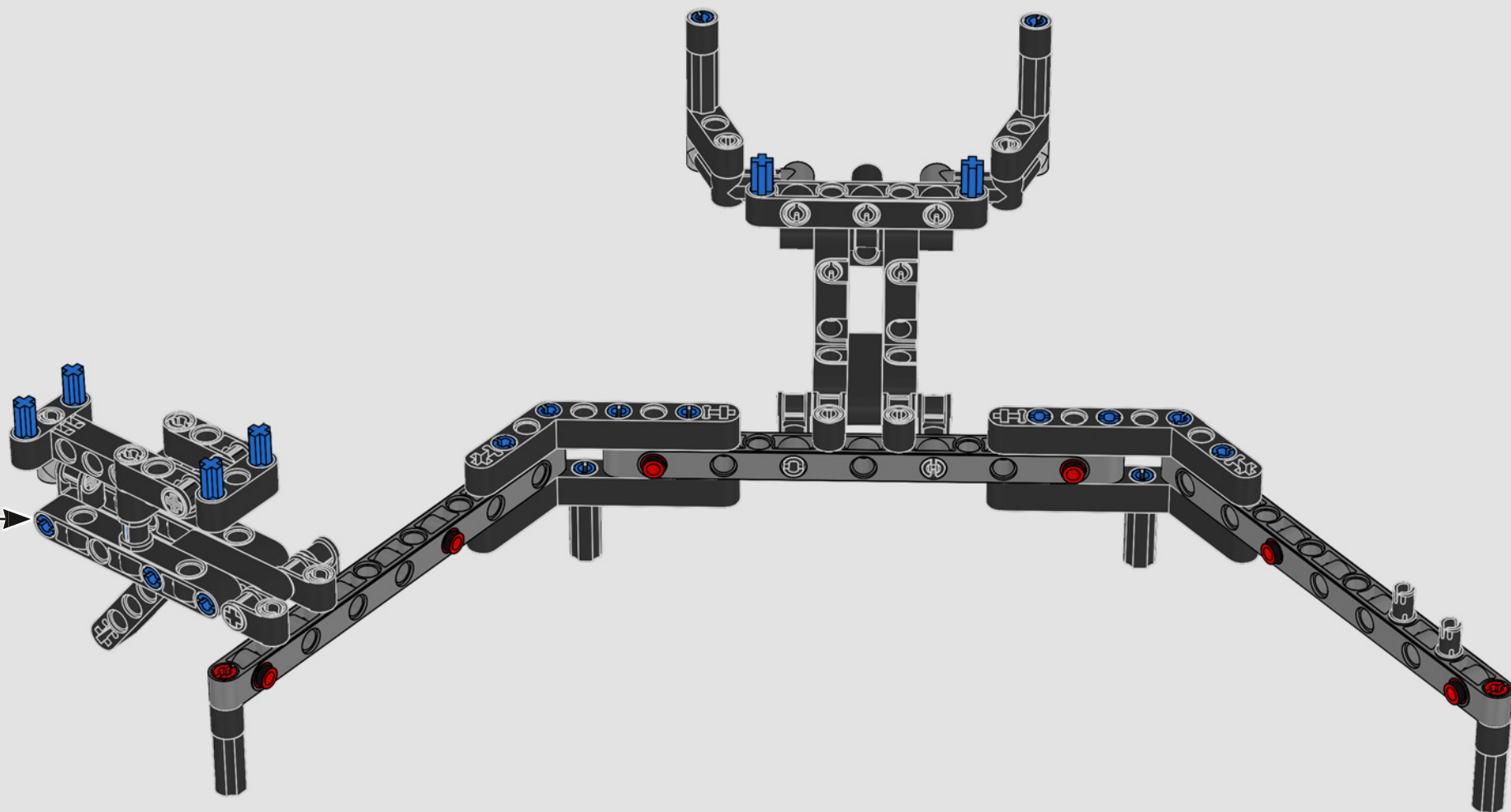


462

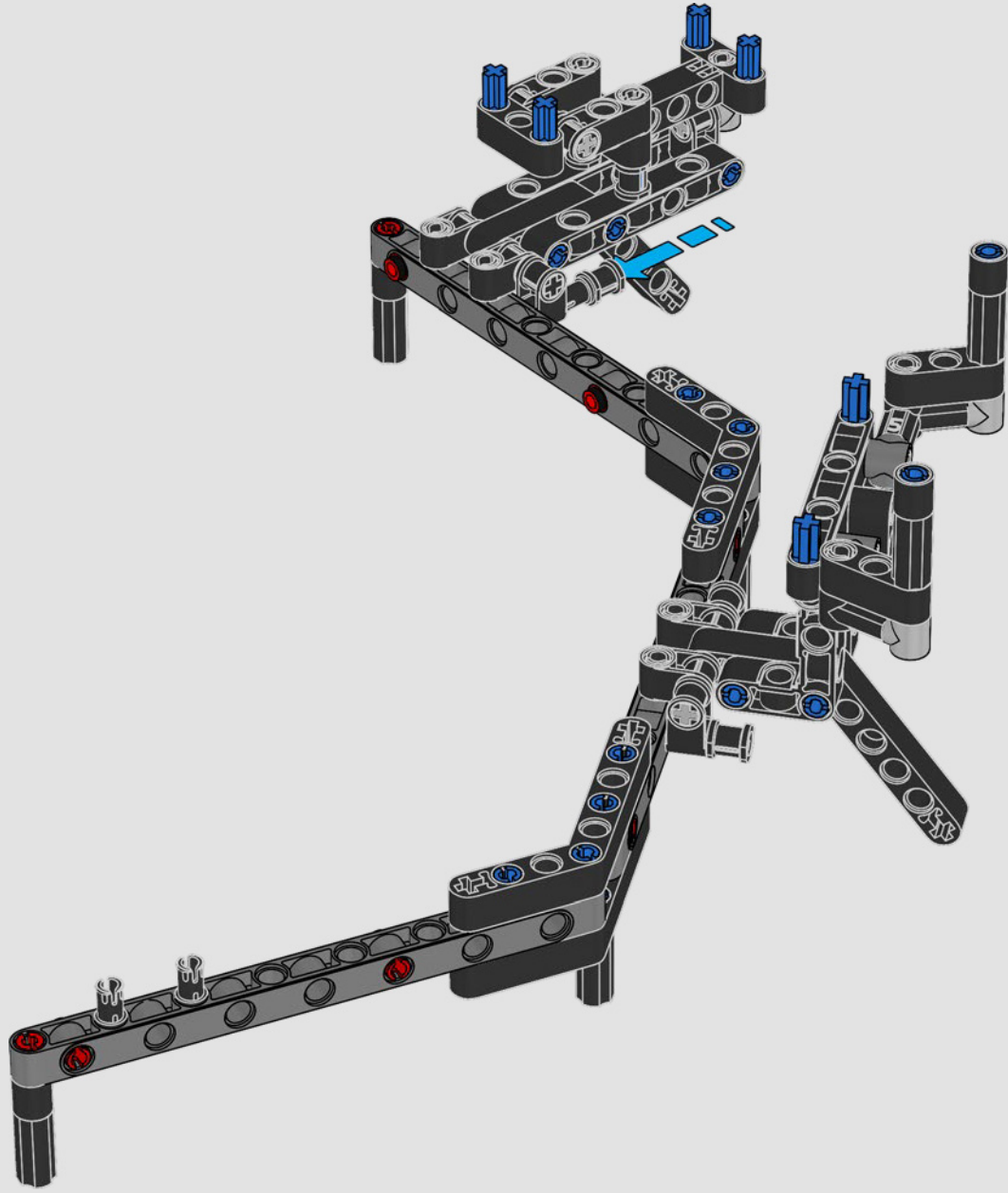


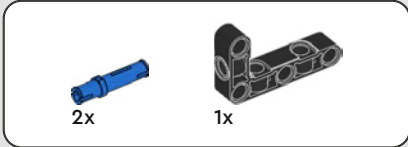
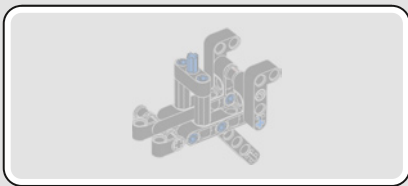


463

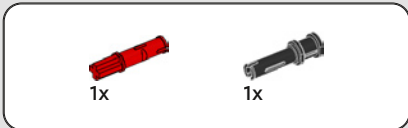
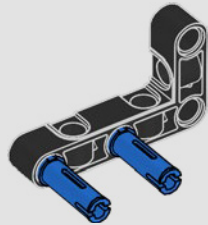


464

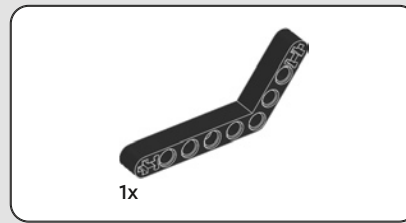
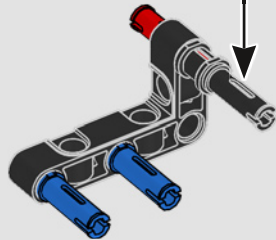
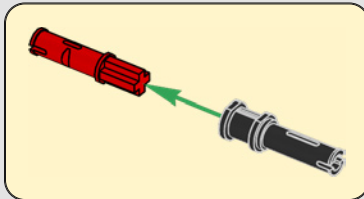




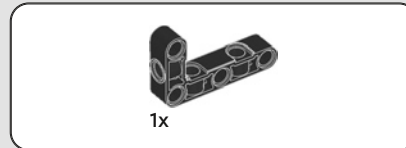
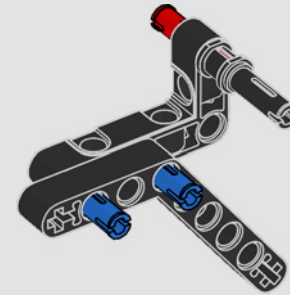
465



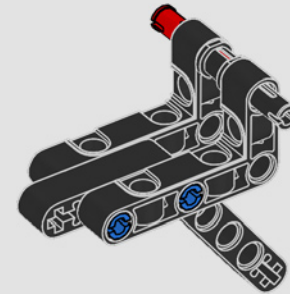
466

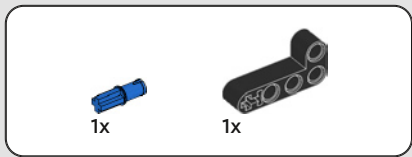


467

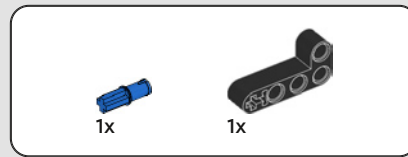
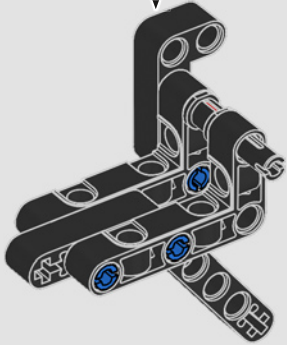
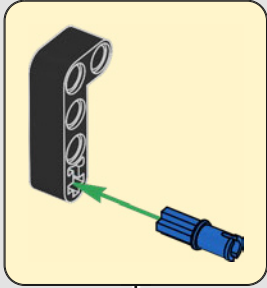


468

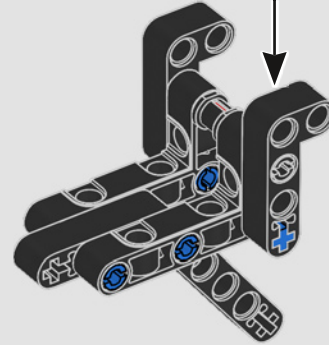
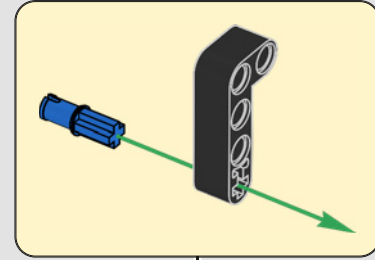


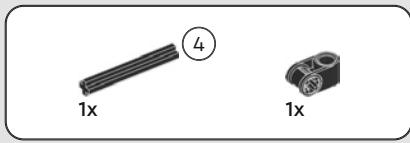


469

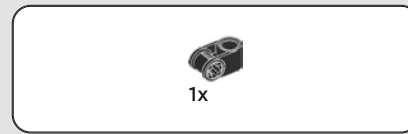
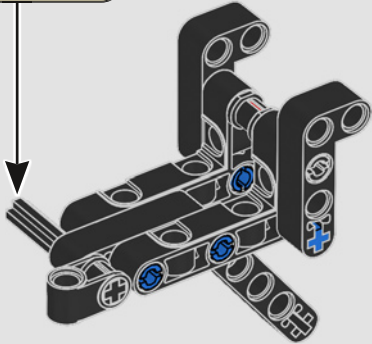
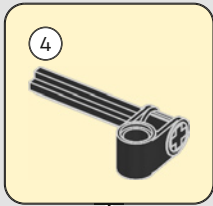


470

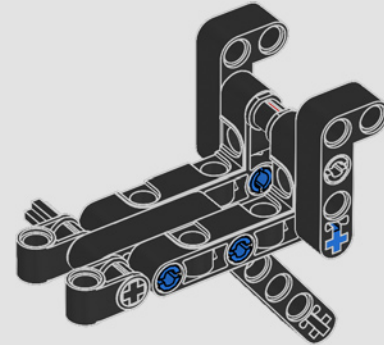




471



472





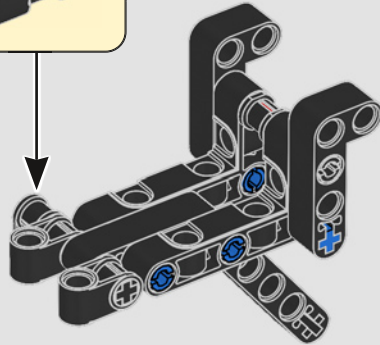
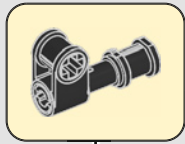


1x



1x

# 473

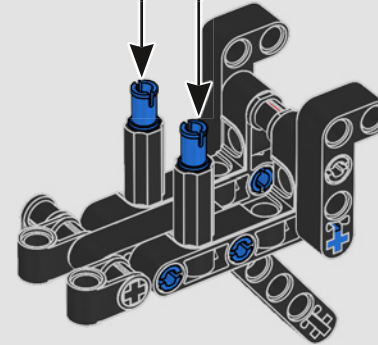
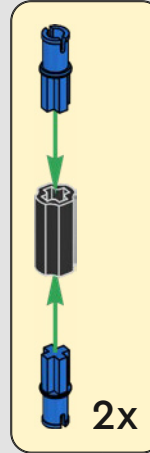


4x



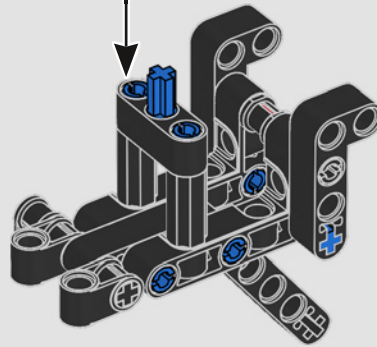
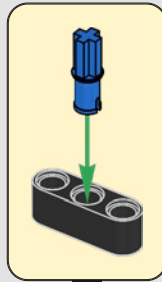
2x

# 474

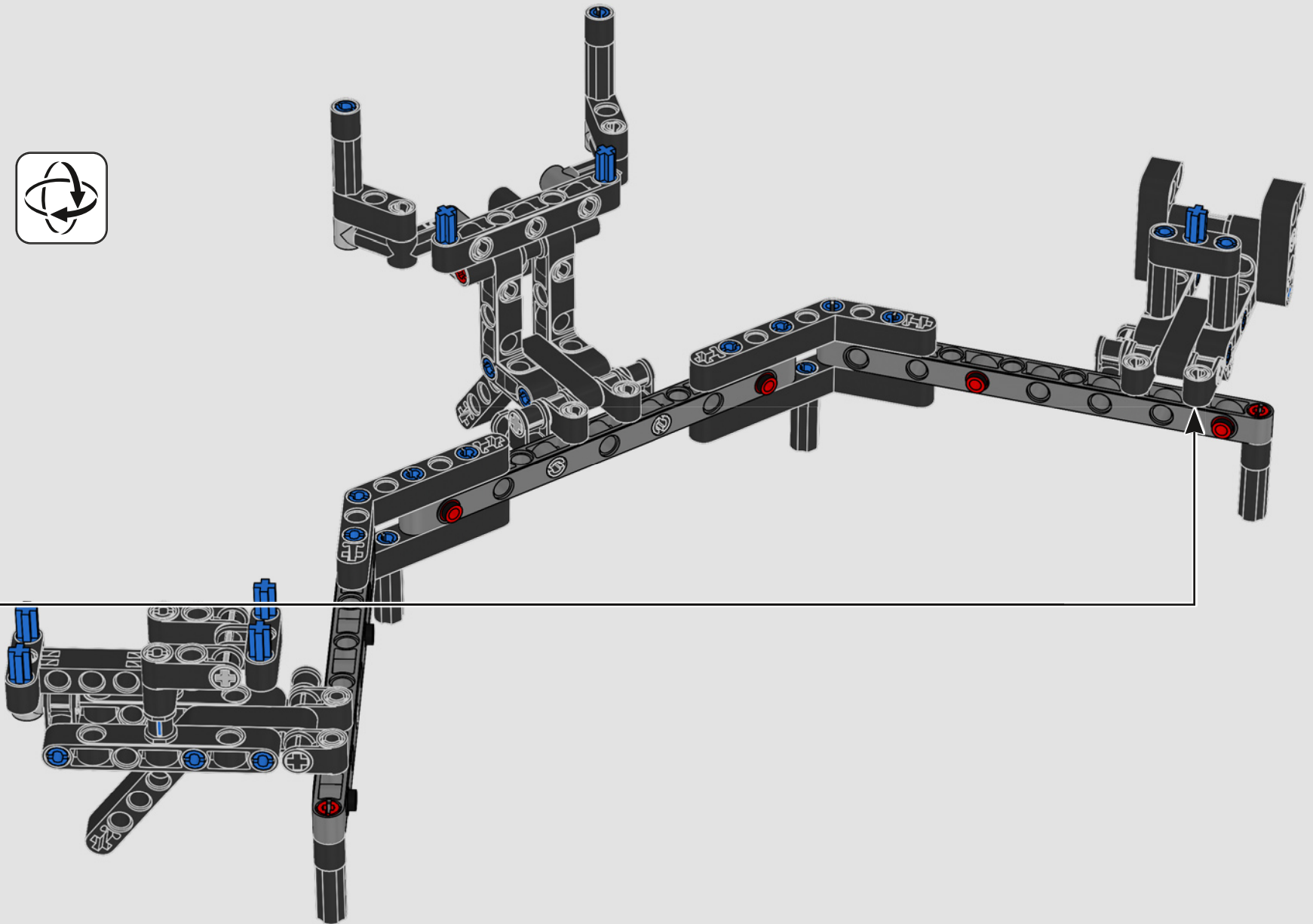




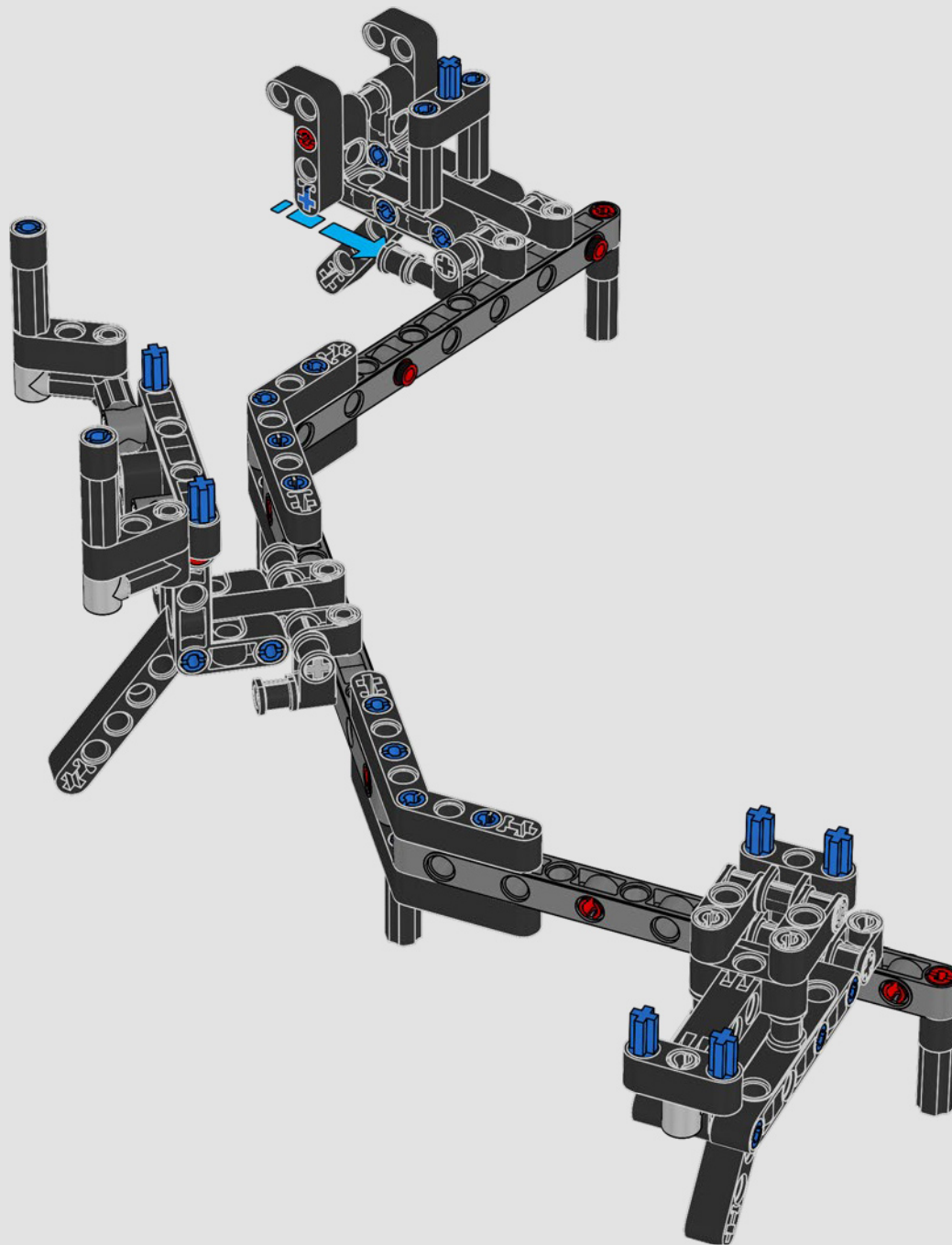
475



476



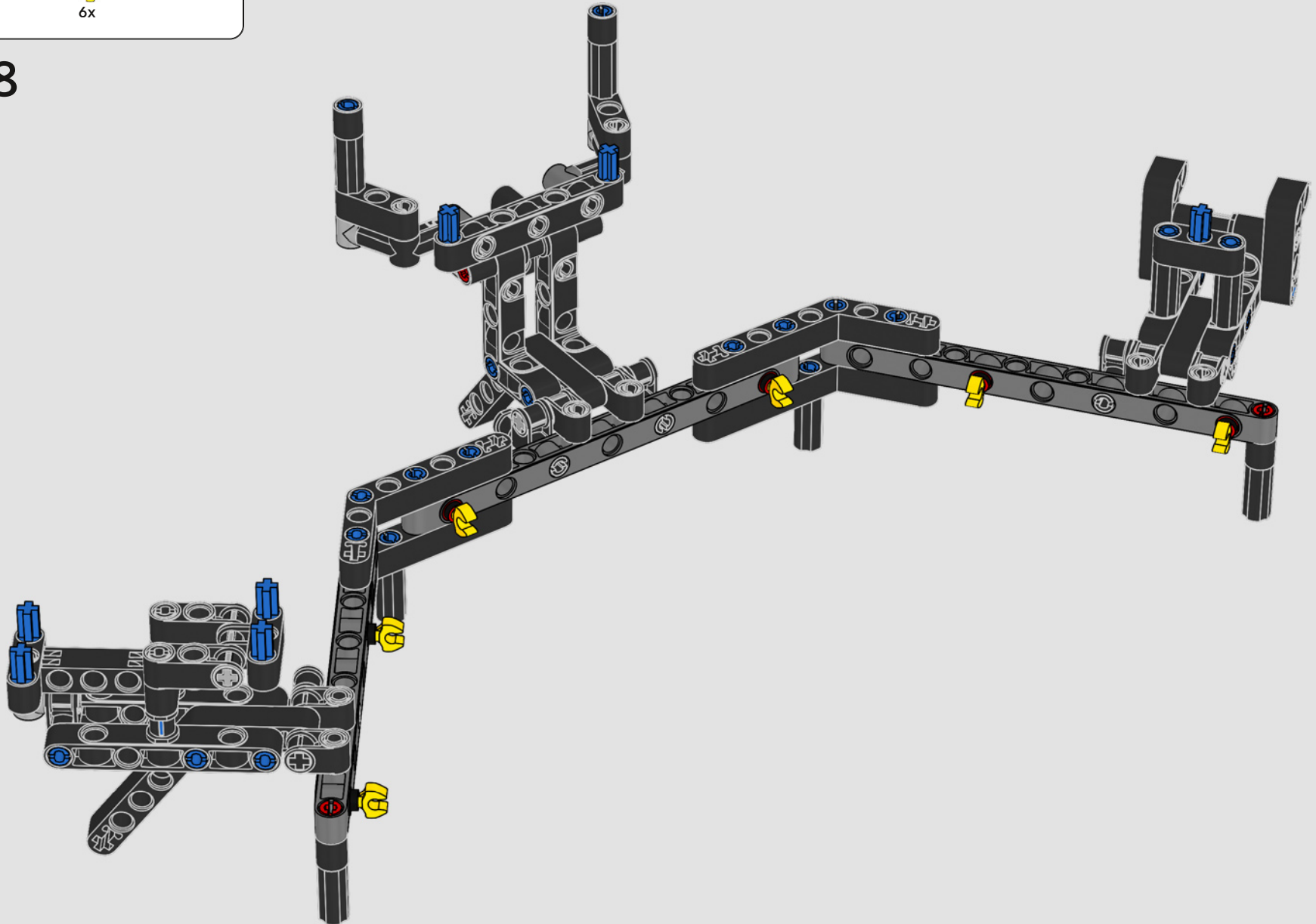
477



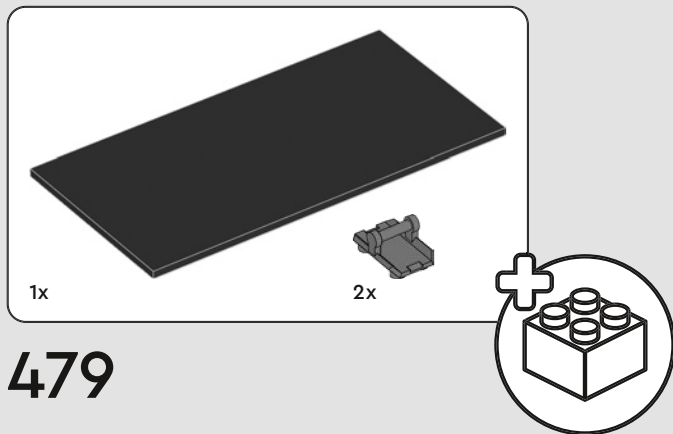


6x

478

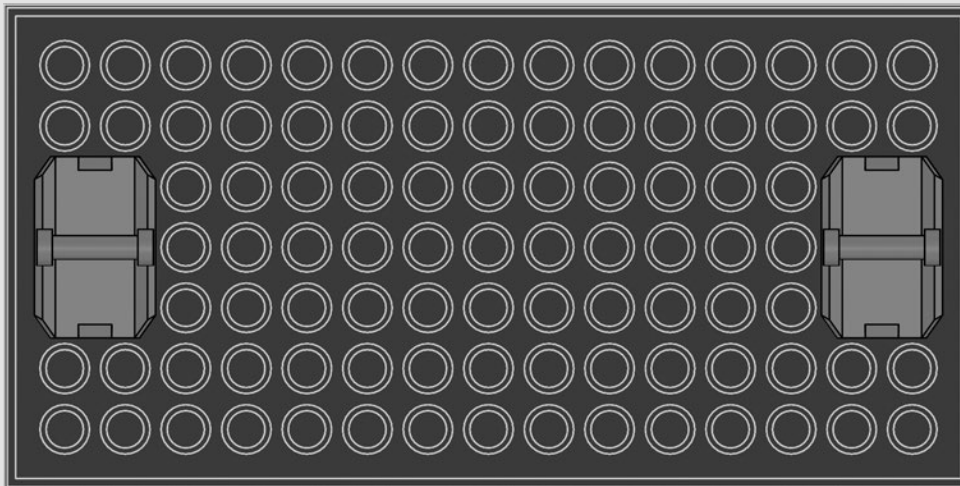






479

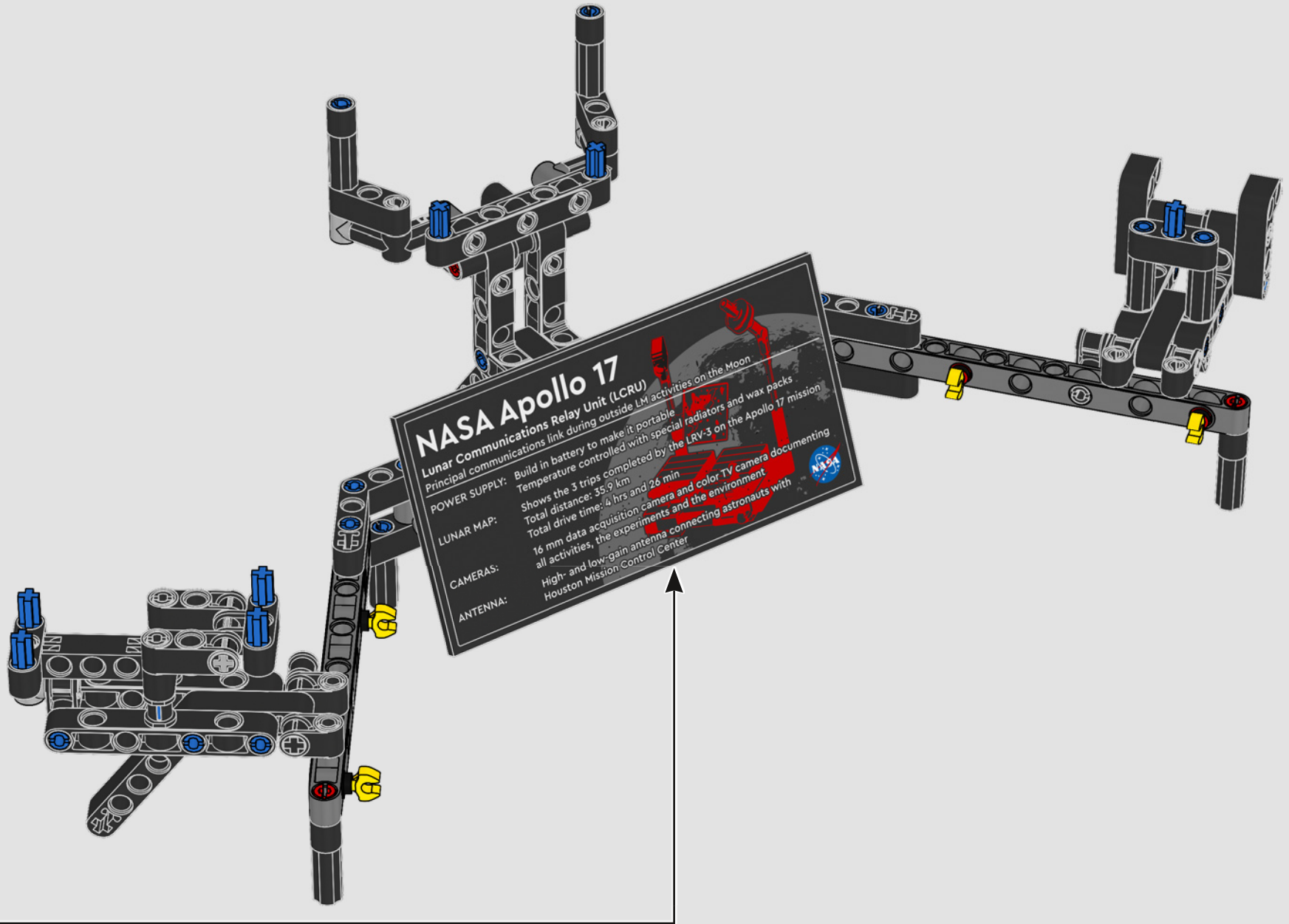
1



1:1

2





## NASA Apollo 17

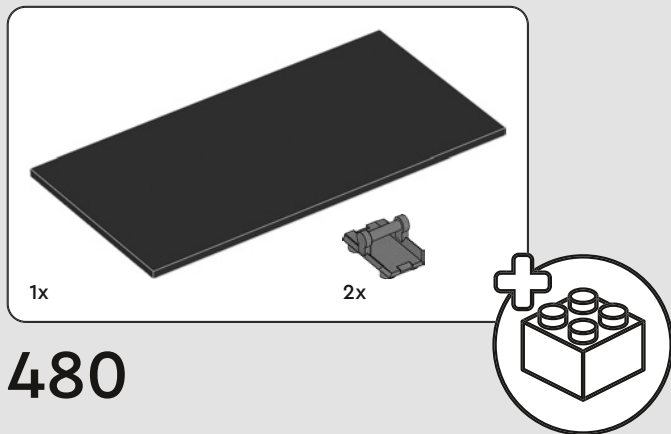
**Lunar Communications Relay Unit (LCRU)**  
Principal communications link during outside LM activities on the Moon

**POWER SUPPLY:** Build in battery to make it portable  
Temperature controlled with special radiators and wax packs

**LUNAR MAP:** Shows the 3 trips completed by the LRV-3 on the Apollo 17 mission  
Total distance: 35.9 km  
Total drive time: 4 hrs and 26 min

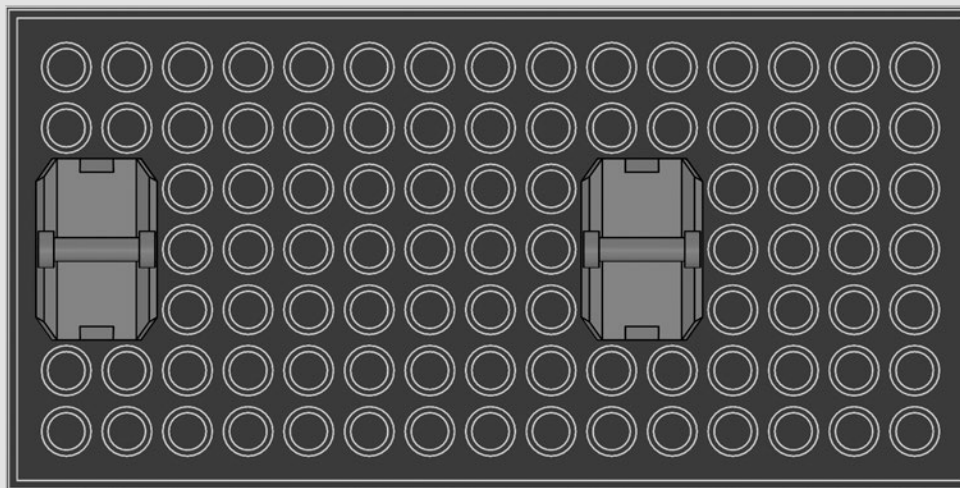
**CAMERAS:** 16 mm data acquisition camera and color TV camera documenting all activities, the experiments and the environment

**ANTENNA:** High- and low-gain antenna connecting astronauts with Houston Mission Control Center



480

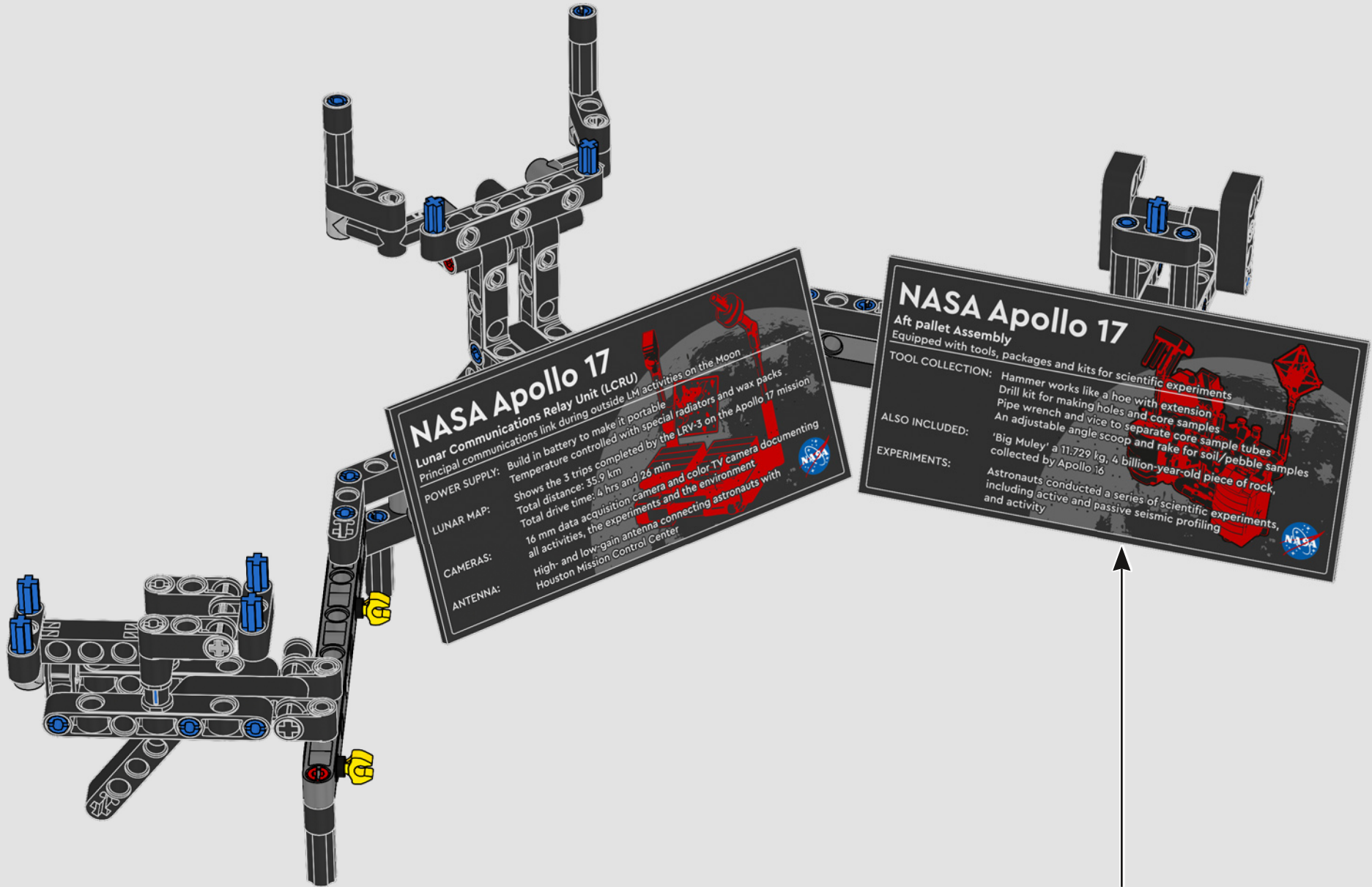
1



1:1

2





## NASA Apollo 17

### Lunar Communications Relay Unit (LCRU)

Principal communications link during outside LM activities on the Moon

**POWER SUPPLY:** Build in battery to make it portable  
Temperature controlled with special radiators and wax packs  
Shows the 3 trips completed by the LRV-3 on the Apollo 17 mission  
Total distance: 35.9 km  
Total drive time: 4 hrs and 26 min

#### LUNAR MAP:

16 mm data acquisition camera and color TV camera documenting all activities, the experiments and the environment

#### CAMERAS:

High- and low-gain antenna connecting astronauts with Houston Mission Control Center

#### ANTENNA:

## NASA Apollo 17

### Aft pallet Assembly

Equipped with tools, packages and kits for scientific experiments

**TOOL COLLECTION:** Hammer works like a hoe with extension  
Drill kit for making holes and core samples  
Pipe wrench and vice to separate core sample tubes  
An adjustable angle scoop and rake for soil/pebble samples

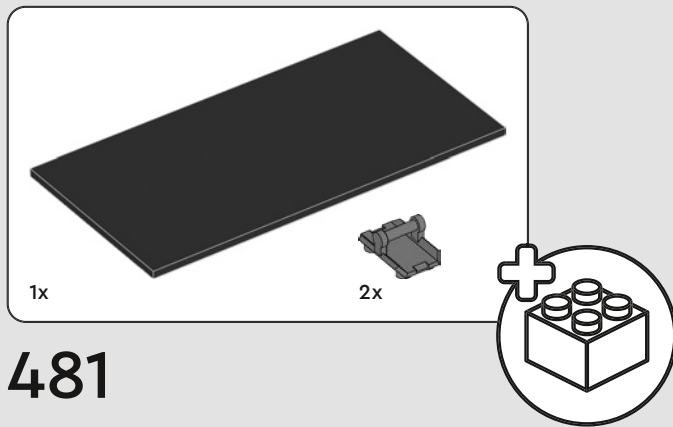
#### ALSO INCLUDED:

'Big Muley' a 11.729 kg, 4 billion-year-old piece of rock, collected by Apollo 16

#### EXPERIMENTS:

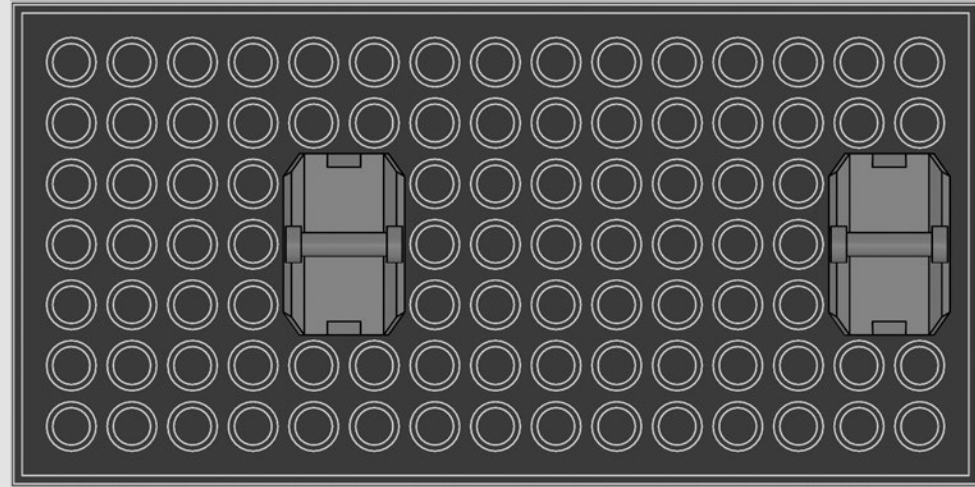
Astronauts conducted a series of scientific experiments, including active and passive seismic profiling and activity





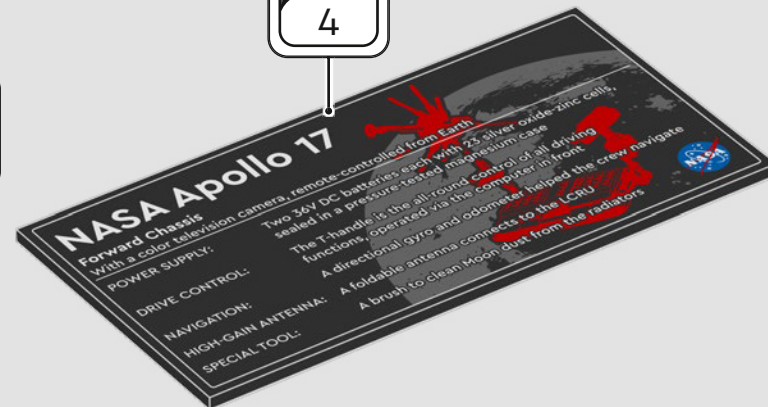
481

1



1:1

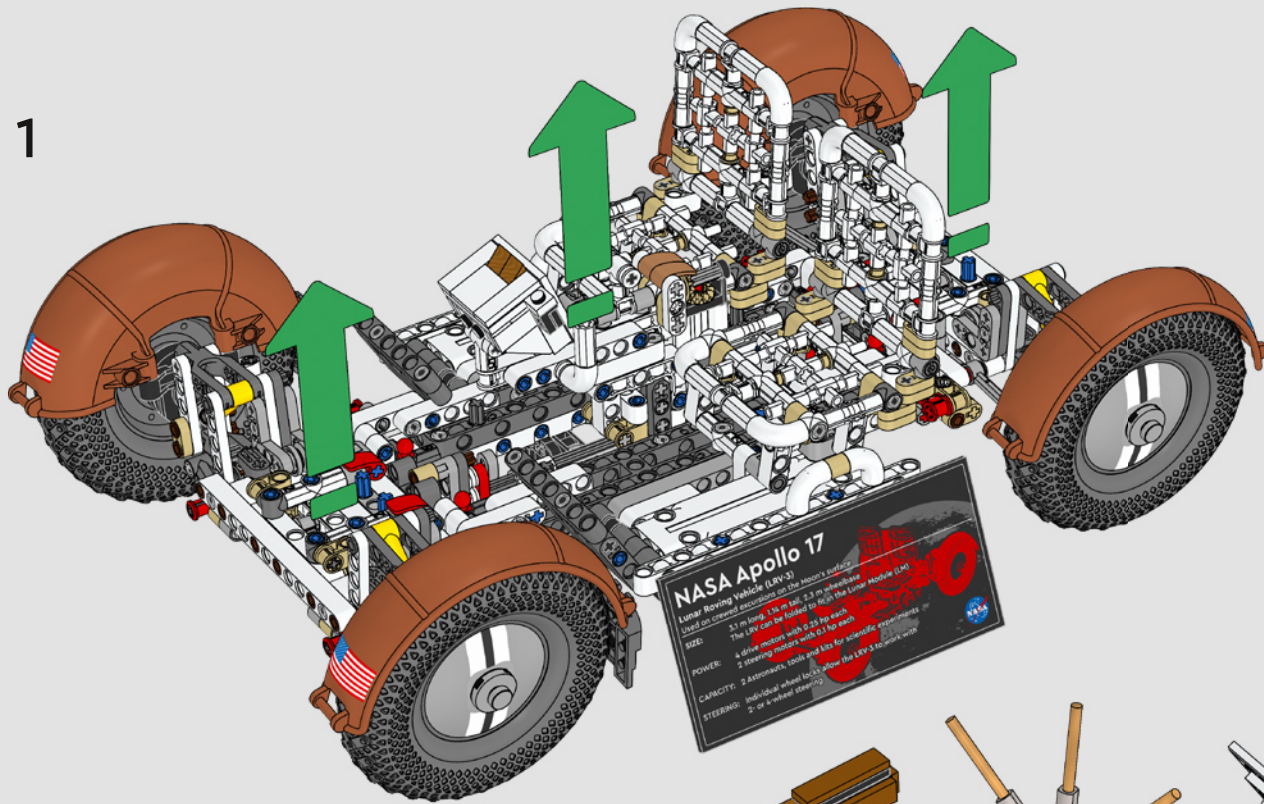
2



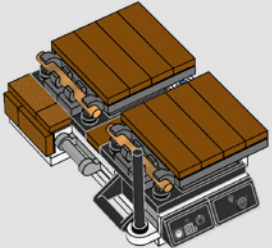
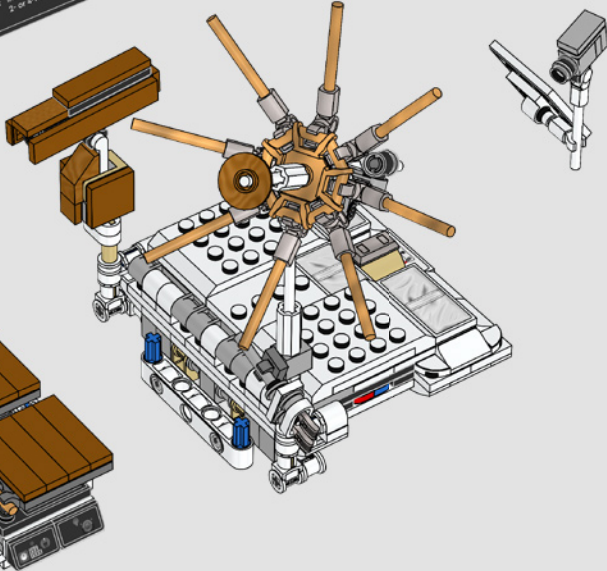
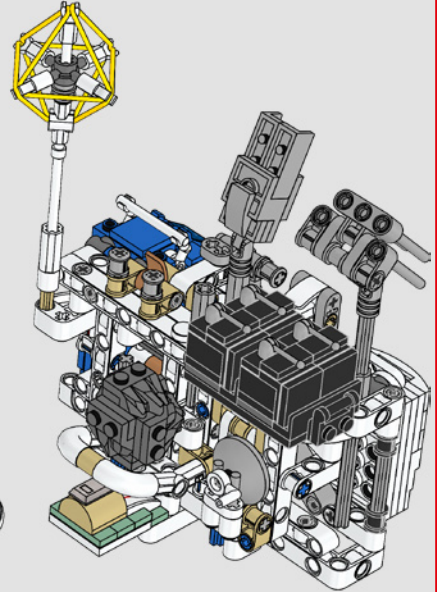


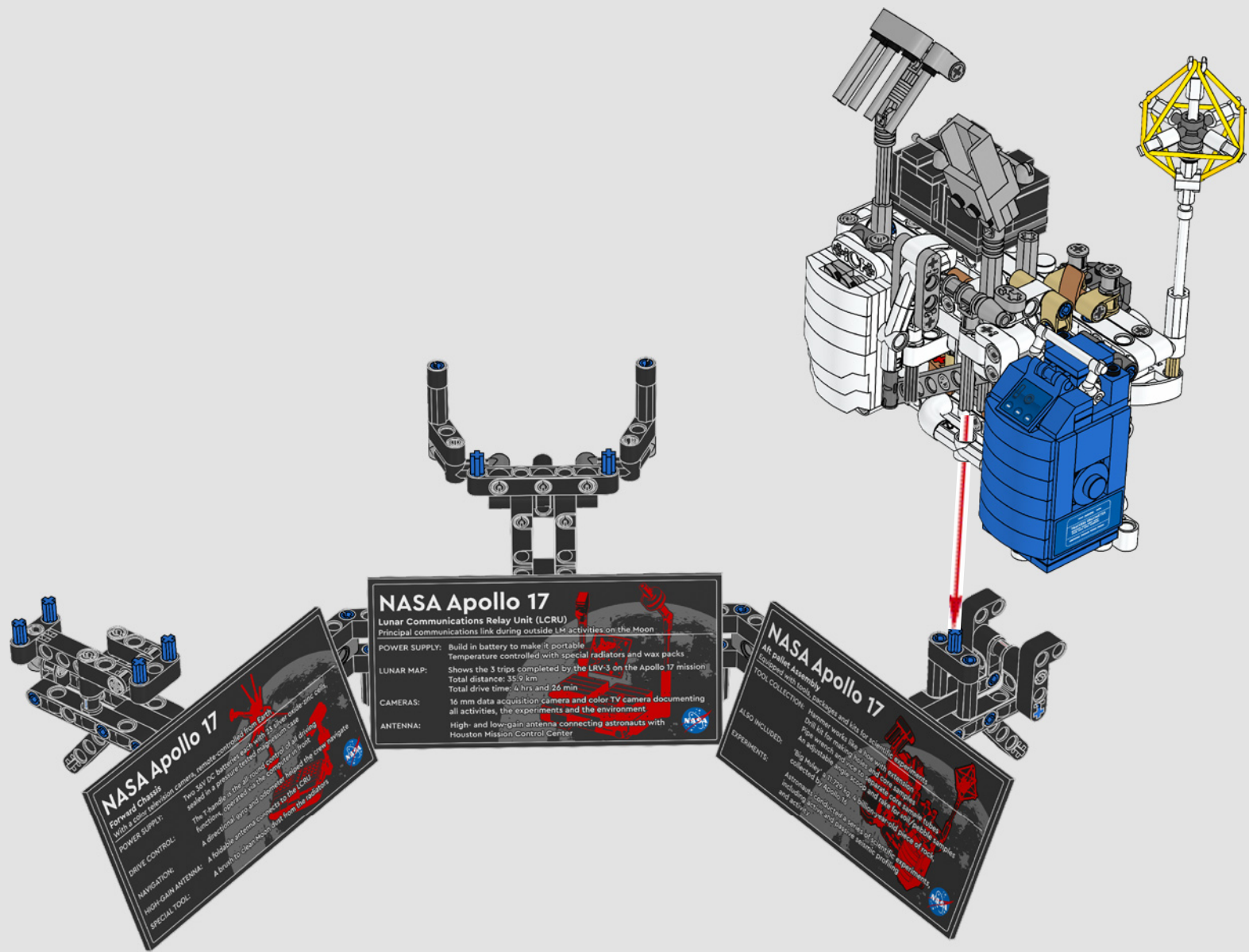


1



**NASA Apollo 17**  
Lunar Roving Vehicle (LRV-5)  
Used on several missions on the Moon's surface.  
SIZE: 3.1 m long, 1.14 m wide, 2.3 m wheelbase  
The LRV can be loaded to full. The Lunar Module (LM) PV can be loaded to full. The LM PV can be loaded to full. The LM PV can be loaded to full.  
POWER: 4 drive motors with 0-63 rpm each  
3 steering motors with 0-63 rpm each  
CAPACITY: 2 Astronauts, tools and bags for scientific experiments  
STEERING: Individual wheel locks for the LRV to park with 0- or 4-wheel steering.





**NASA Apollo 17**  
**Forward Chassis**  
 with a color television camera, remote-controlled from Earth.  
 Two 3AH DC batteries, each with 12 three-ohmic cells, sealed in a pressure vessel, magnesium case.  
 The 1 handle is the off-road control of all driving functions, operated via the computer interface.  
 A directional prop-gear connects the crew vehicle to the LCRU.  
 A fault-tolerant motor drive from the radiators.

**POWER SUPPLY:** Build in battery to make it portable. Temperature controlled with special radiators and wax packs.

**LUNAR MAP:** Shows the 3 trips completed by the LRV-3 on the Apollo 17 mission. Total distance: 35.9 km. Total drive time: 4 hrs and 26 min.

**CAMERAS:** 16 mm data acquisition camera and color TV camera documenting all activities, the experiments and the environment.

**ANTENNA:** High- and low-gain antenna connecting astronauts with Houston Mission Control Center.

**NASA Apollo 17**  
**Lunar Communications Relay Unit (LCRU)**  
 Principal communications link during outside LM activities on the Moon.

**POWER SUPPLY:** Build in battery to make it portable. Temperature controlled with special radiators and wax packs.

**LUNAR MAP:** Shows the 3 trips completed by the LRV-3 on the Apollo 17 mission. Total distance: 35.9 km. Total drive time: 4 hrs and 26 min.

**CAMERAS:** 16 mm data acquisition camera and color TV camera documenting all activities, the experiments and the environment.

**ANTENNA:** High- and low-gain antenna connecting astronauts with Houston Mission Control Center.

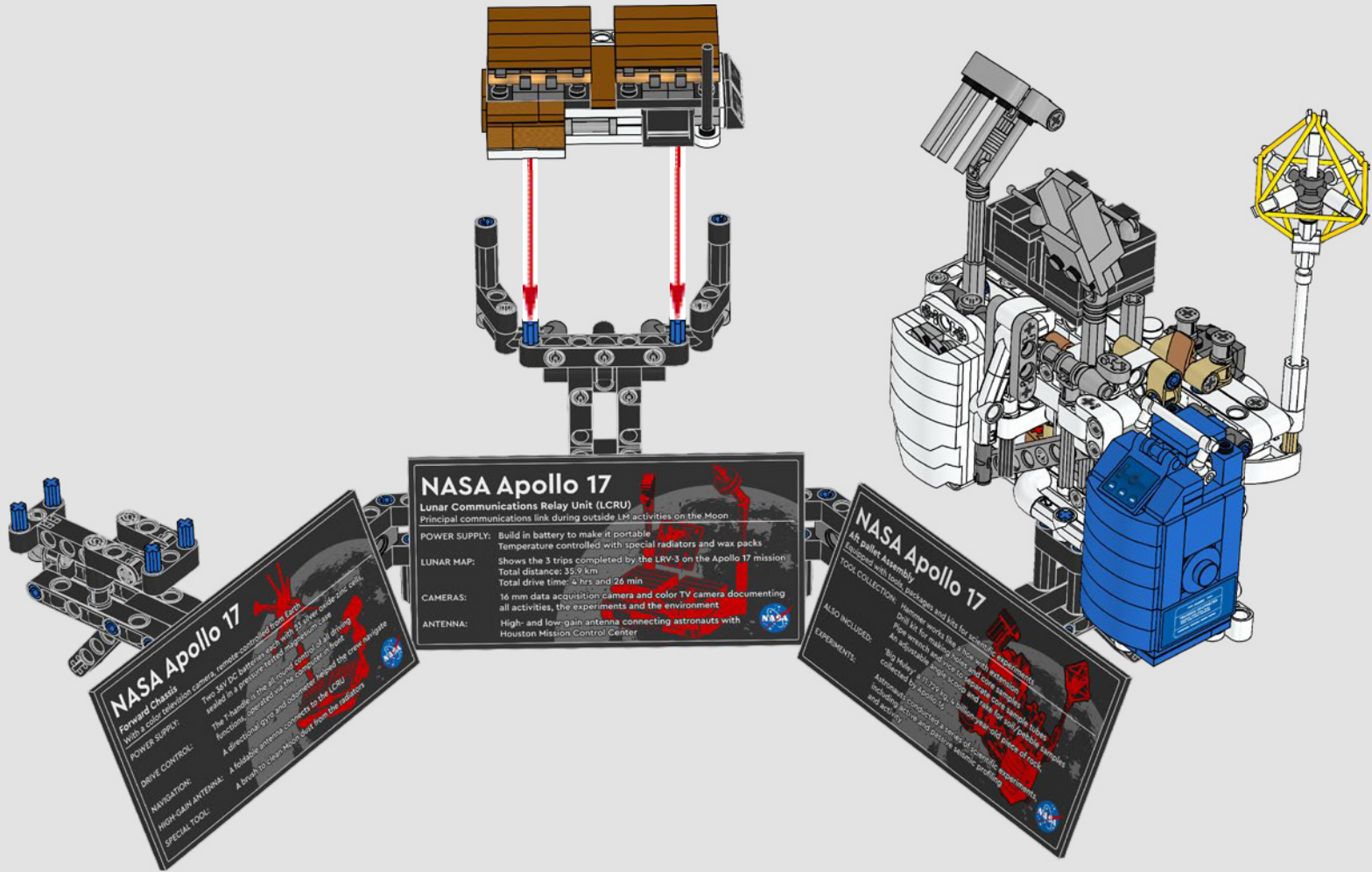
**NASA Apollo 17**  
**Air Pallet Assembly**  
 Equipped with tools, packages and kits for scientific experiments.

**TOOL COLLECTION:** Hammer, wrench, screwdriver, pliers, and other tools for scientific experiments.

**EXPERIMENTS:** 16 mm data acquisition camera and color TV camera documenting all activities, the experiments and the environment.

**ALSO INCLUDED:** 16 mm data acquisition camera and color TV camera documenting all activities, the experiments and the environment.



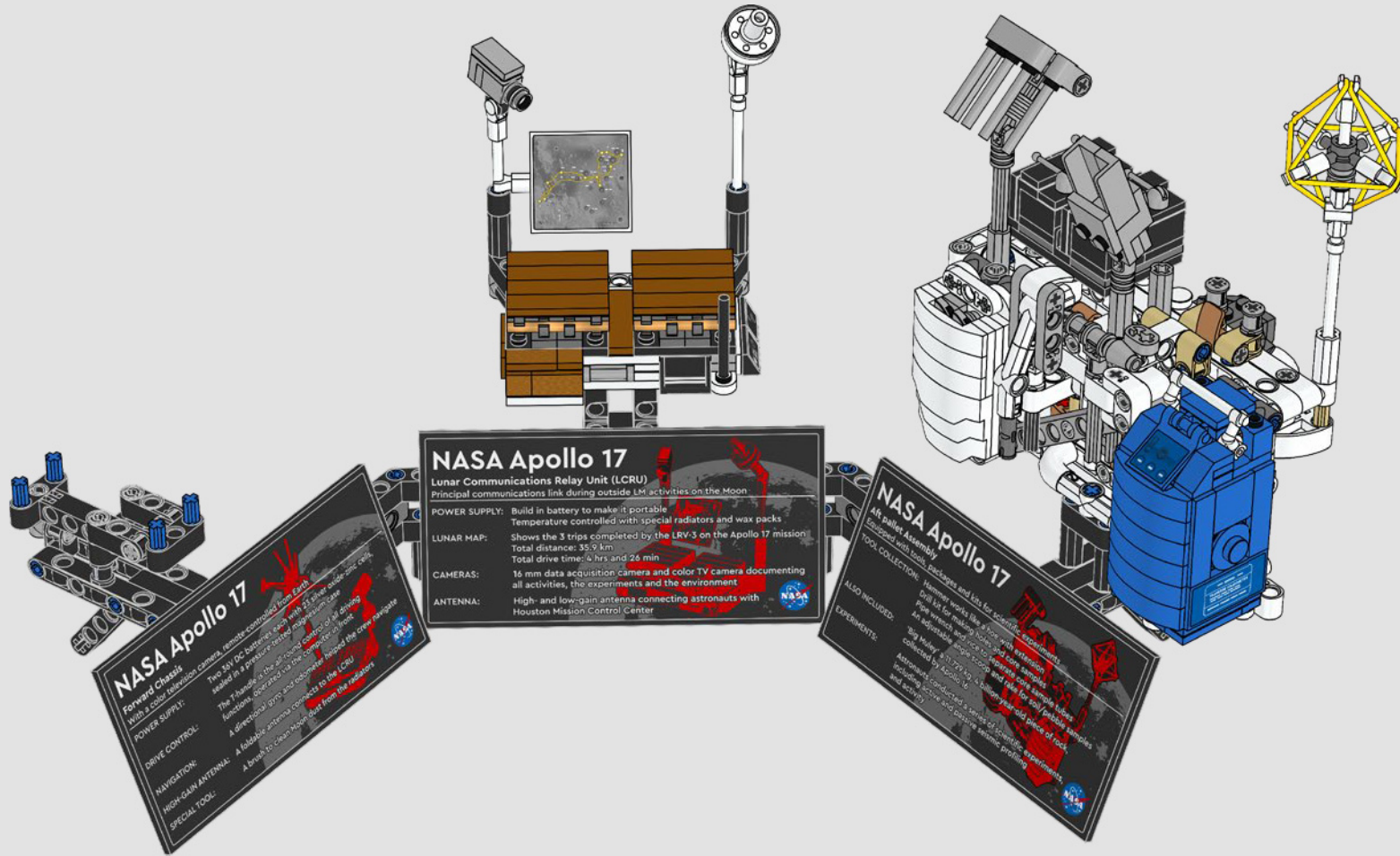


**NASA Apollo 17**  
**Forward Chassis**  
 With a color television camera, remote-controlled from Earth.  
**POWER SUPPLY:** Two 3V/DC batteries each with 35 three-zinc cells, sealed in a pressure-resistant magnesium case.  
**DRIVE CONTROL:** The Transponder in the airlock of control of driving functions, operated via the computer on Earth.  
**NAVIGATION:** A directional gyro.  
**HIGH-GAIN ANTENNA:** A foldable antenna connects to the LCRU.  
**SPECIAL TOOL:** A hand-to-hand touch dist from the radiator.

**NASA Apollo 17**  
**Lunar Communications Relay Unit (LCRU)**  
 Principal communications link during outside LM activities on the Moon.  
**POWER SUPPLY:** Build in battery to make it portable. Temperature controlled with special radiators and wax packs.  
**LUNAR MAP:** Shows the 3 trips completed by the LRV-3 on the Apollo 17 mission. Total distance: 35.9 km. Total drive time: 4 hrs and 26 min.  
**CAMERAS:** 16 mm data acquisition camera and color TV camera documenting all activities, the experiments and the environment.  
**ANTENNA:** High- and low-gain antenna connecting astronauts with Houston Mission Control Center.

**NASA Apollo 17**  
**AR Duffet Assembly**  
 Designed with tools.  
**TOOL COLLECTION:** Hammer, work file, a power drill, pipe wrench, screwdriver, and wire cutters.  
**EXPERIMENTS:** Big relay, 16 mm data acquisition camera, color TV camera, and a 16 mm data acquisition camera. Astronauts conducted a series of scientific experiments including drive and distance seismic profiling, lunar soil samples, and a 16 mm data acquisition camera.





**NASA Apollo 17**  
**Forward Chassis**  
 Two 3V DC batteries (not with 25 other side-air coils) with a color television camera, remote controlled from Earth.  
 The Phoenix is the self-reading indicator of air density functions, connected to the computer unit.  
 A diagonal antenna connects to the LCRU.  
 A bracket to clear Moon dust from the television.

**POWER SUPPLY:**  
 Two 3V DC batteries (not with 25 other side-air coils) with a color television camera, remote controlled from Earth.

**DRIVE CONTROL:**  
 The Phoenix is the self-reading indicator of air density functions, connected to the computer unit.

**NAVIGATION:**  
 A diagonal antenna connects to the LCRU.

**HIGH-GAIN ANTENNA:**  
 A bracket to clear Moon dust from the television.

**SPECIAL TOOL:**

**NASA Apollo 17**  
**Lunar Communications Relay Unit (LCRU)**  
 Principal communications link during outside LM activities on the Moon

**POWER SUPPLY:** Build in battery to make it portable. Temperature controlled with special radiators and wax packs

**LUNAR MAP:** Shows the 3 trips completed by the LRV-3 on the Apollo 17 mission. Total distance: 35.9 km. Total drive time: 4 hrs and 26 min.

**CAMERAS:** 16 mm data acquisition camera and color TV camera documenting all activities, the experiments and the environment

**ANTENNA:** High- and low-gain antenna connecting astronauts with Houston Mission Control Center

**NASA Apollo 17**  
**Air Pallet Assembly**  
 Equipped with tools, packages and kits for scientific experiments

**TOOL COLLECTION:** Hammer works like a piston with extension; pin bit for making holes; and cone separator; pipe wrench and nut driver; 1/4" nut driver; and adjustable pipe cutter and ratchet for coil cables; samples collected by Apollo 17.

**EXPERIMENT:** "Big Holey" (11.70 kg) 1/4" diameter year-old piece of rock including a series of scientific experiments including active and passive seismic logging.

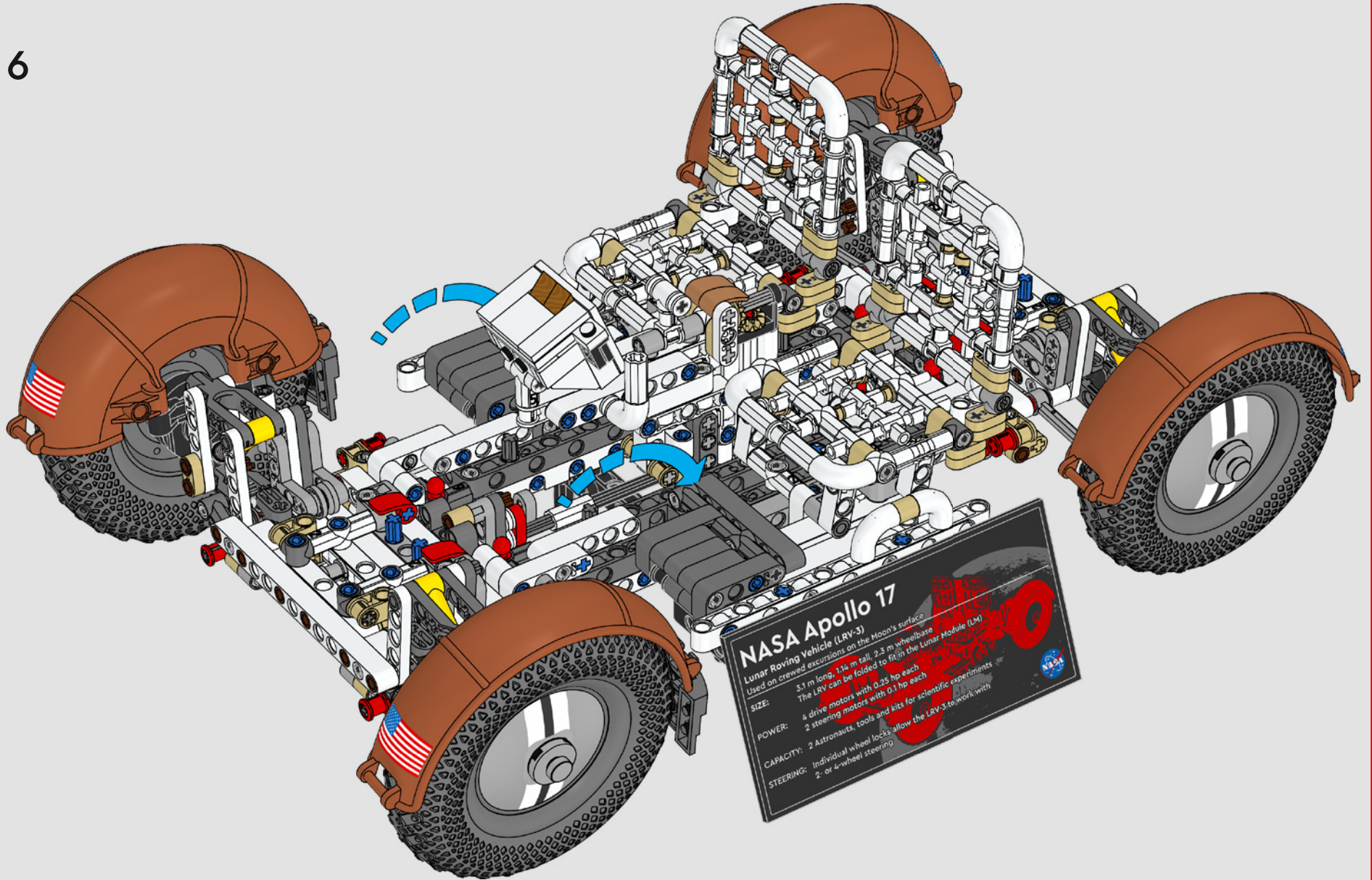


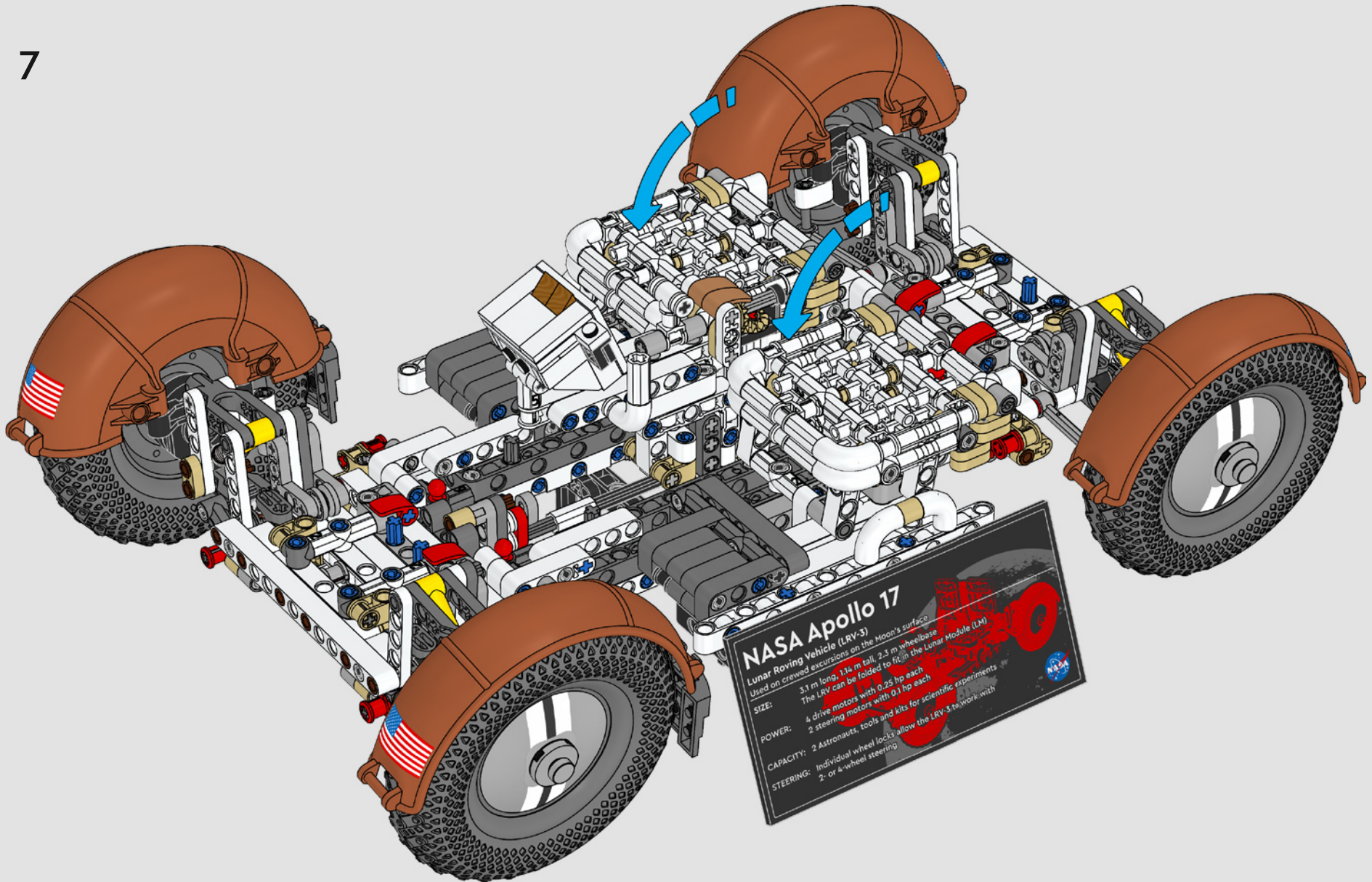




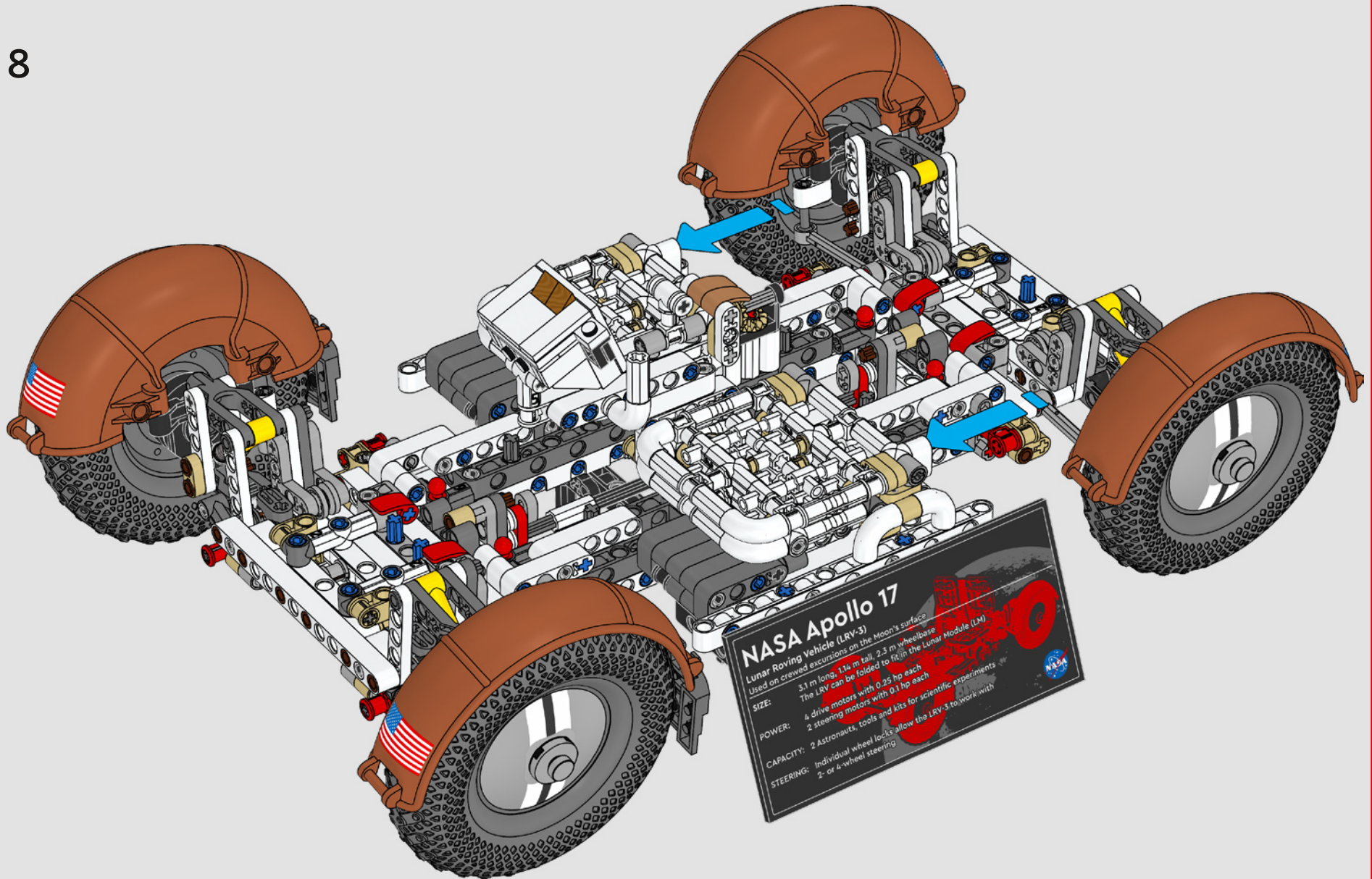


6

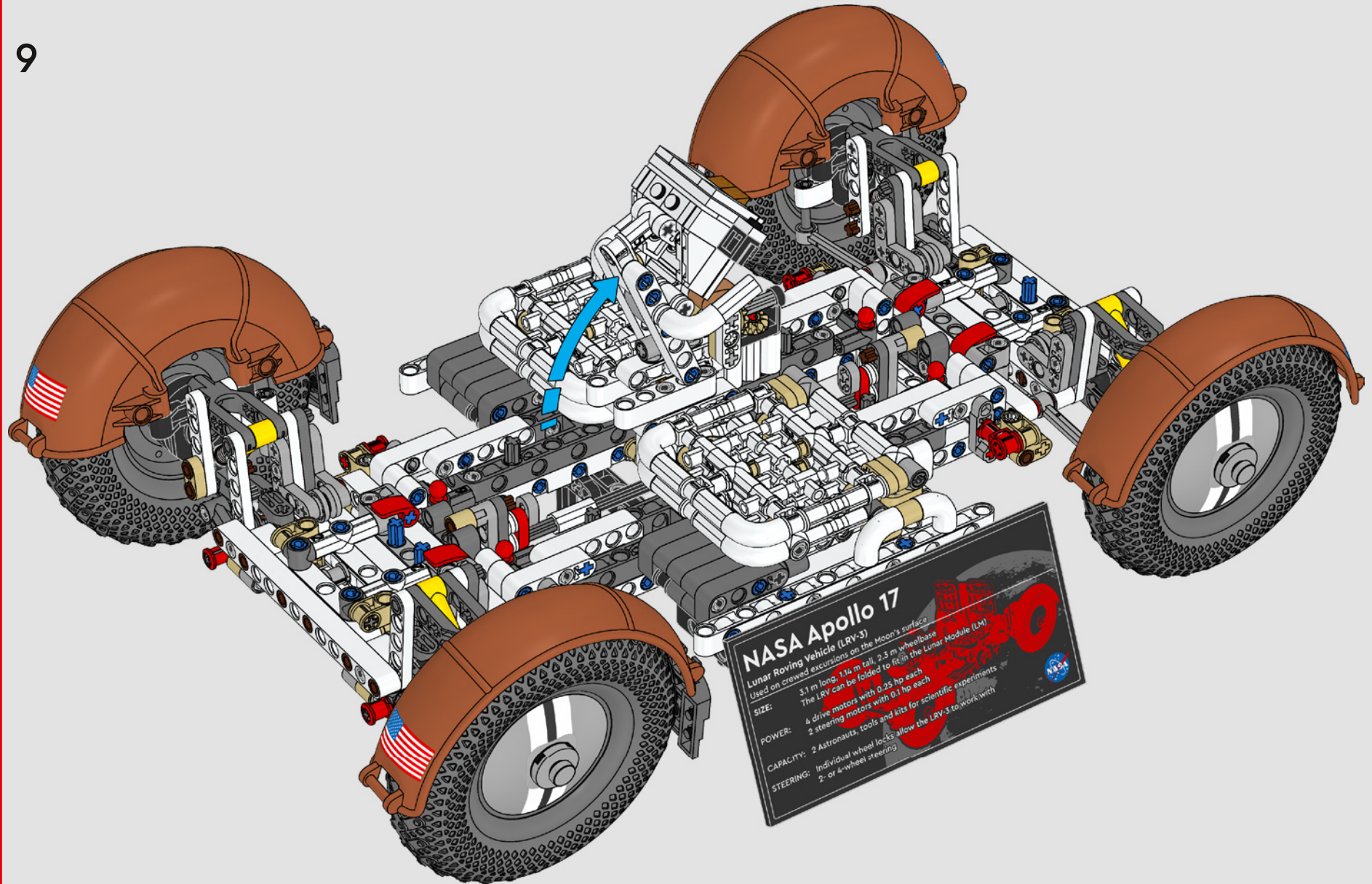




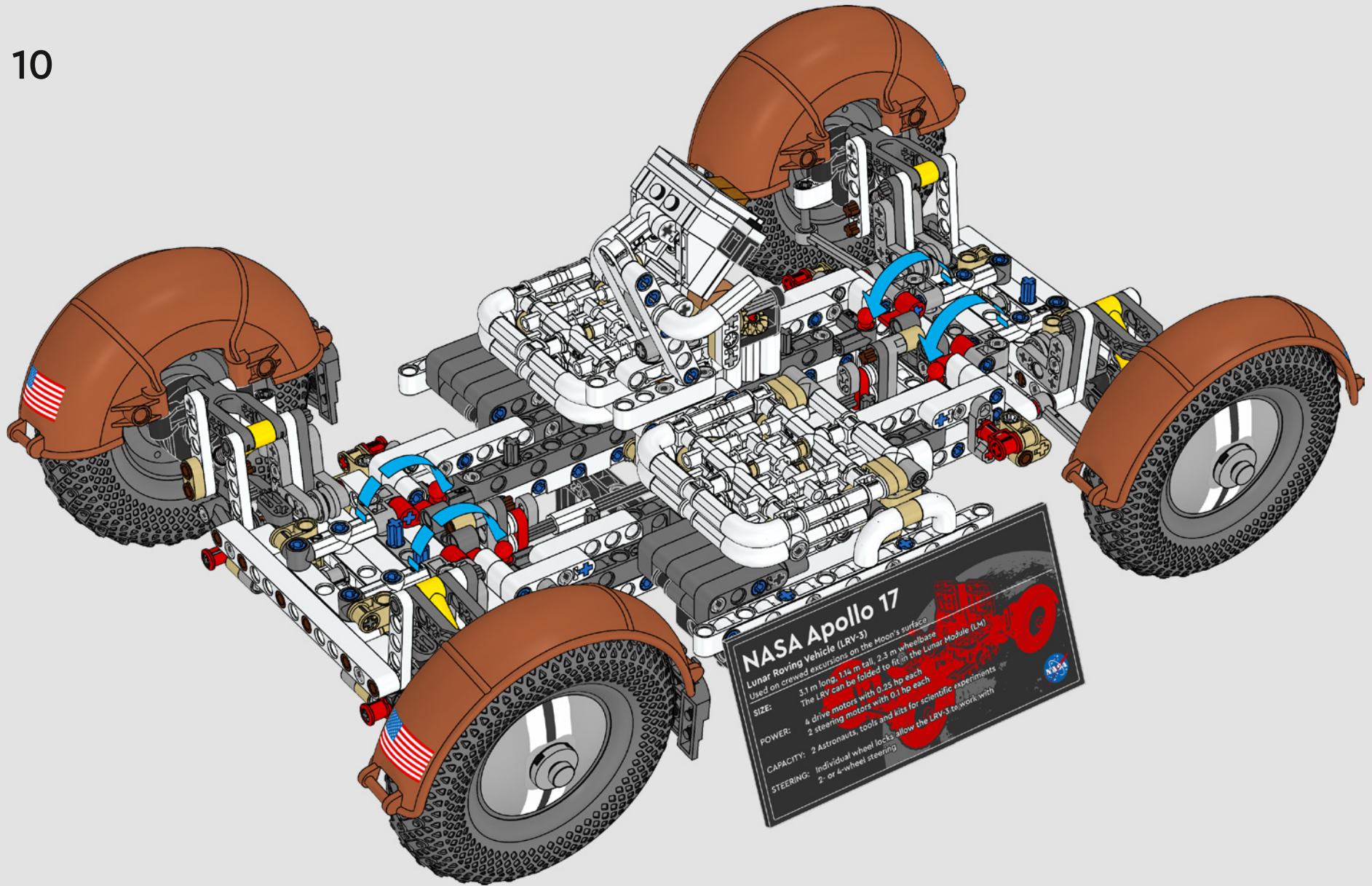








10



### NASA Apollo 17 Lunar Roving Vehicle (LRV-3)

Used on crewed excursions on the Moon's surface

**SIZE:** 3.1 m long, 1.14 m tall, 2.3 m wheelbase  
The LRV can be folded to fit in the Lunar Module (LM)

**POWER:** 4 drive motors with 0.25 hp each  
2 steering motors with 0.1 hp each

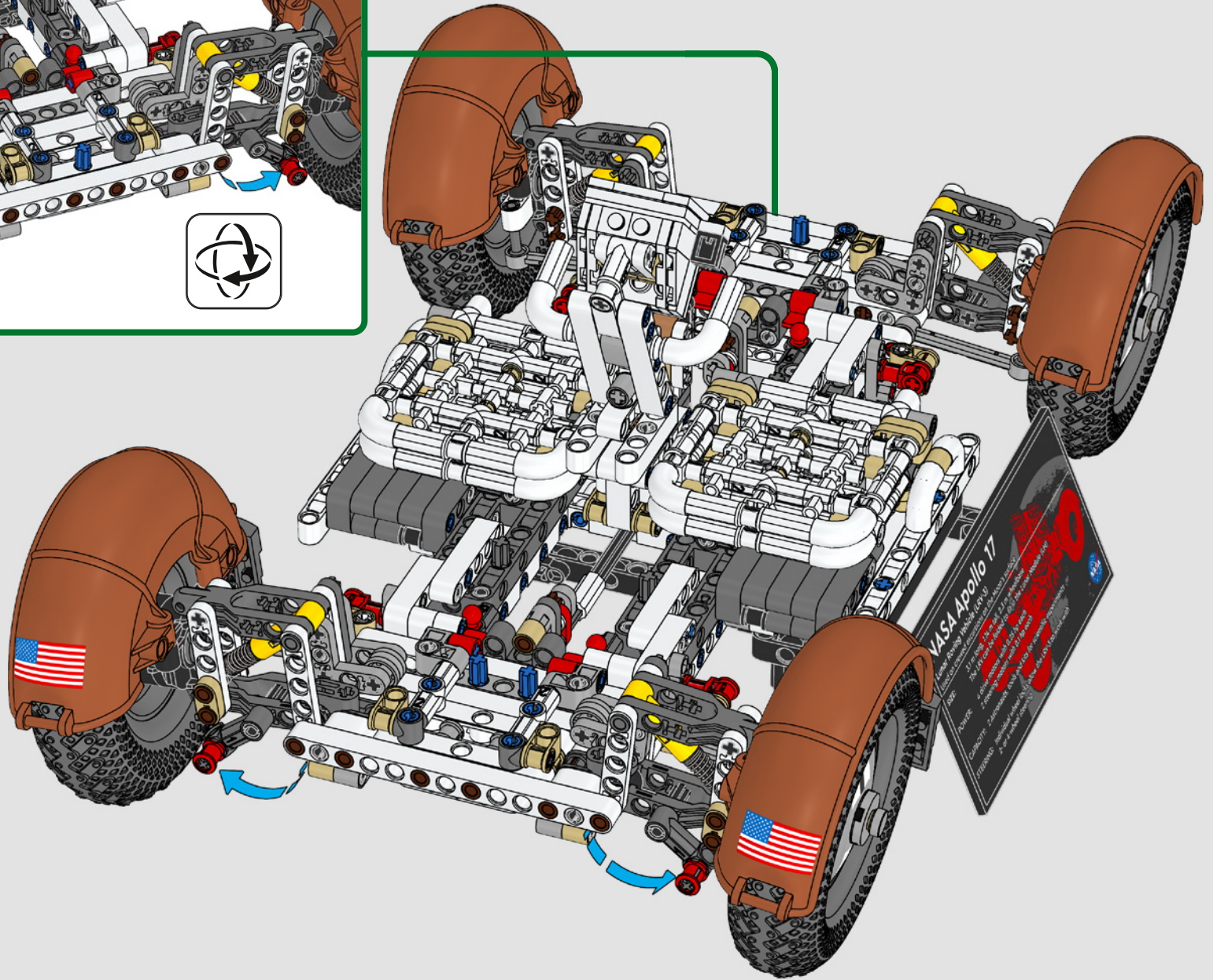
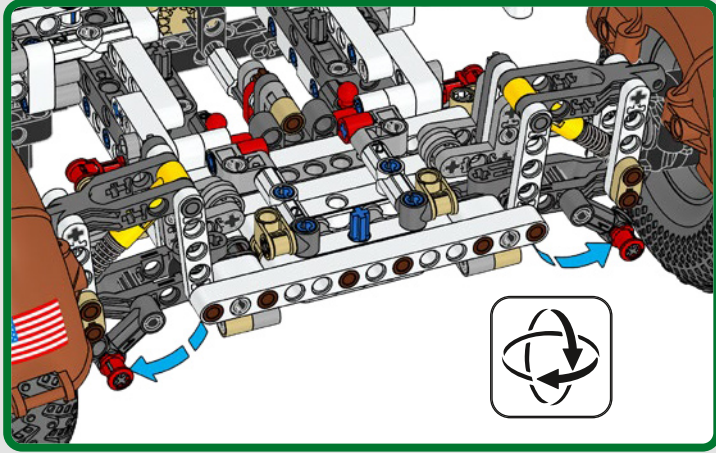
**CAPACITY:** 2 Astronauts, tools and kits for scientific experiments

**STEERING:** Individual wheel locks allow the LRV-3 to work with 2- or 4-wheel steering



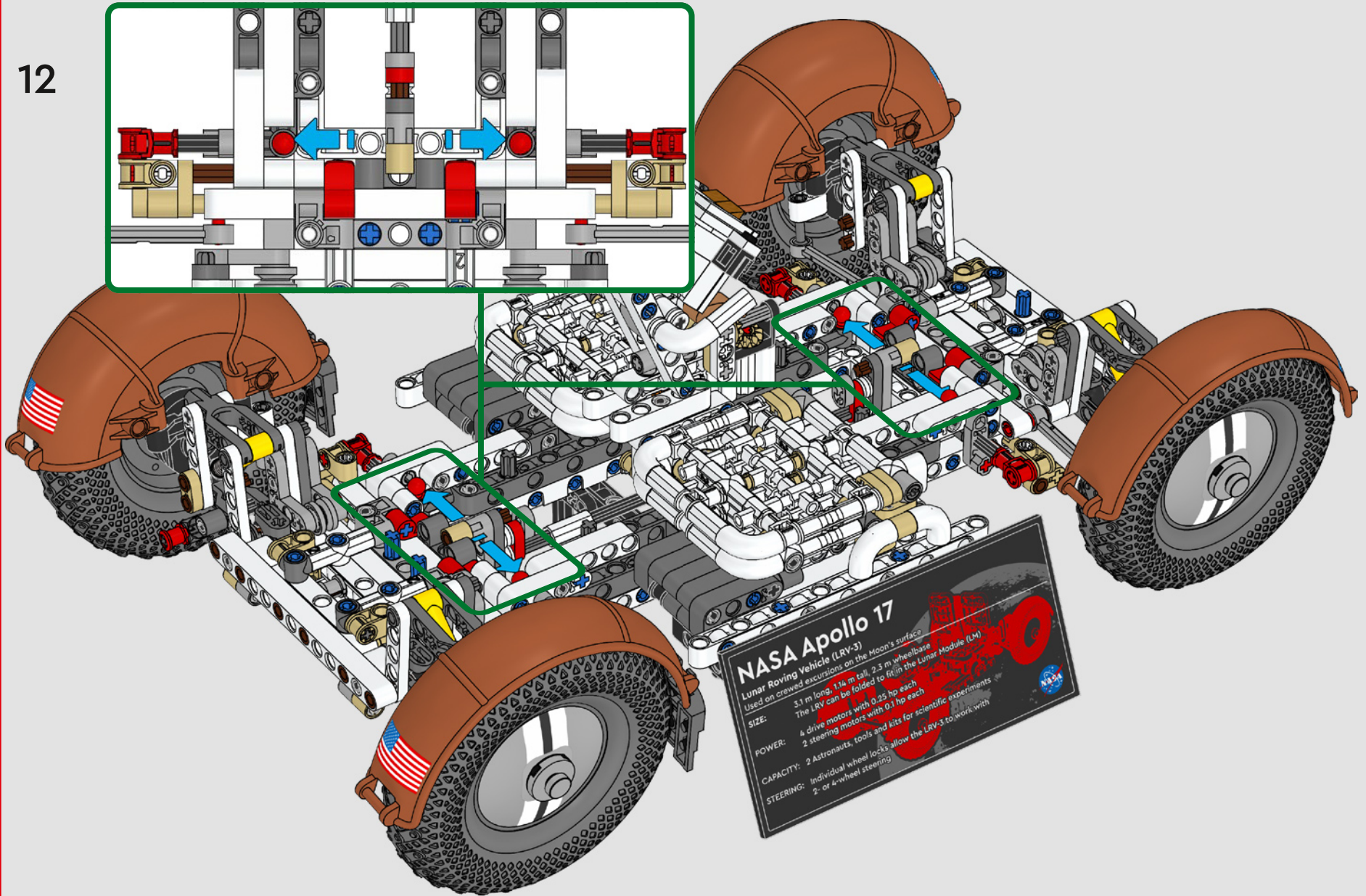


11

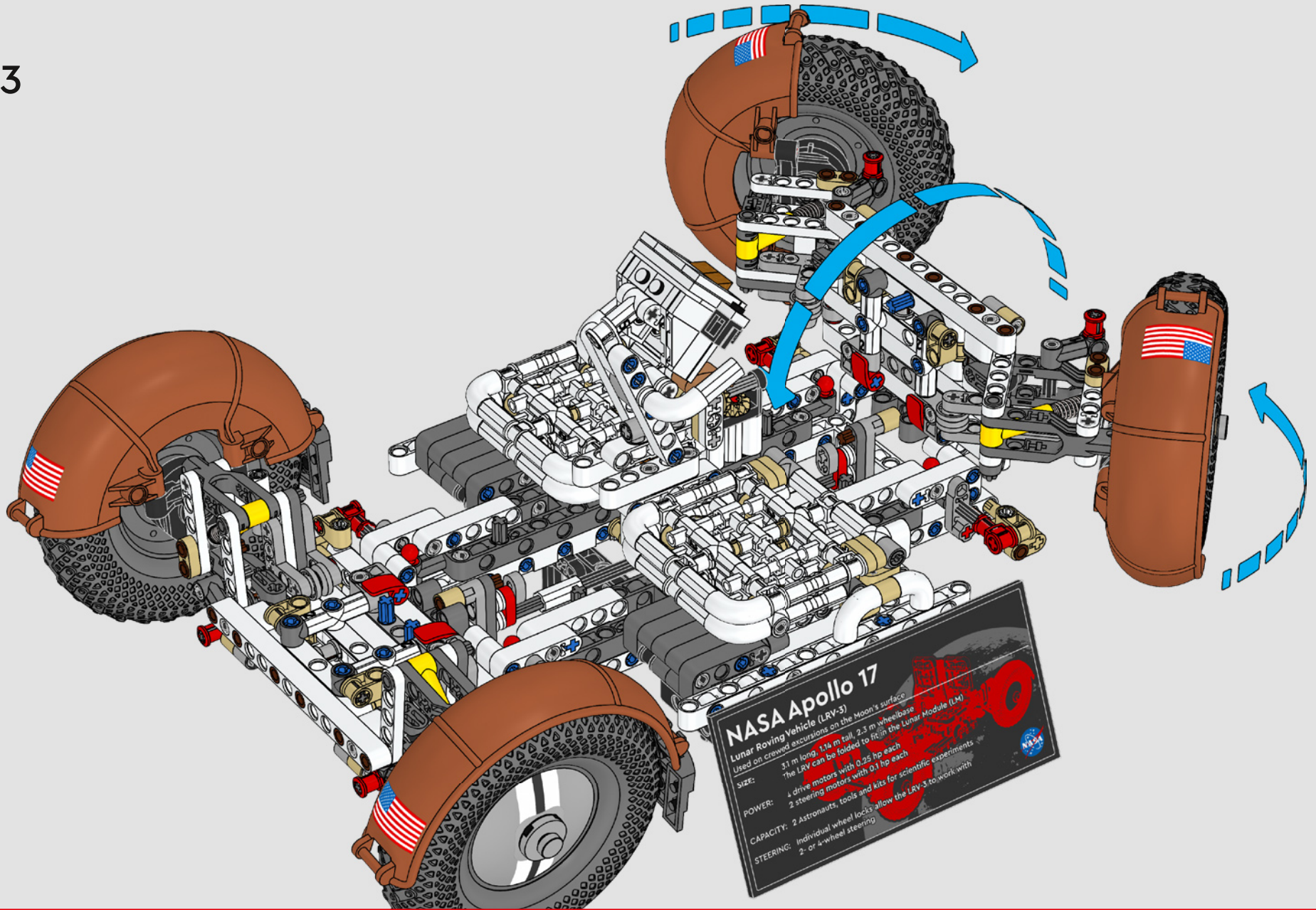




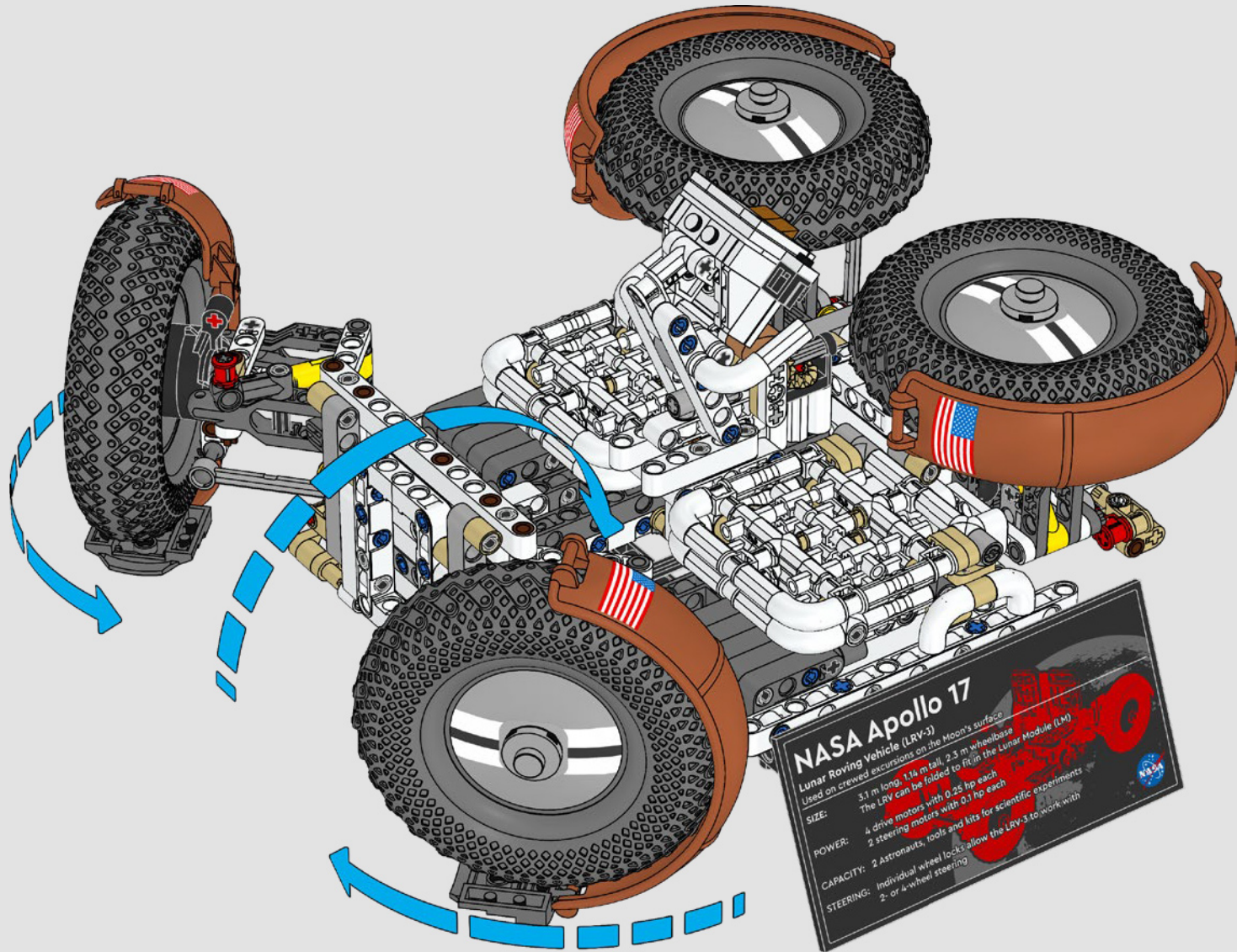
12

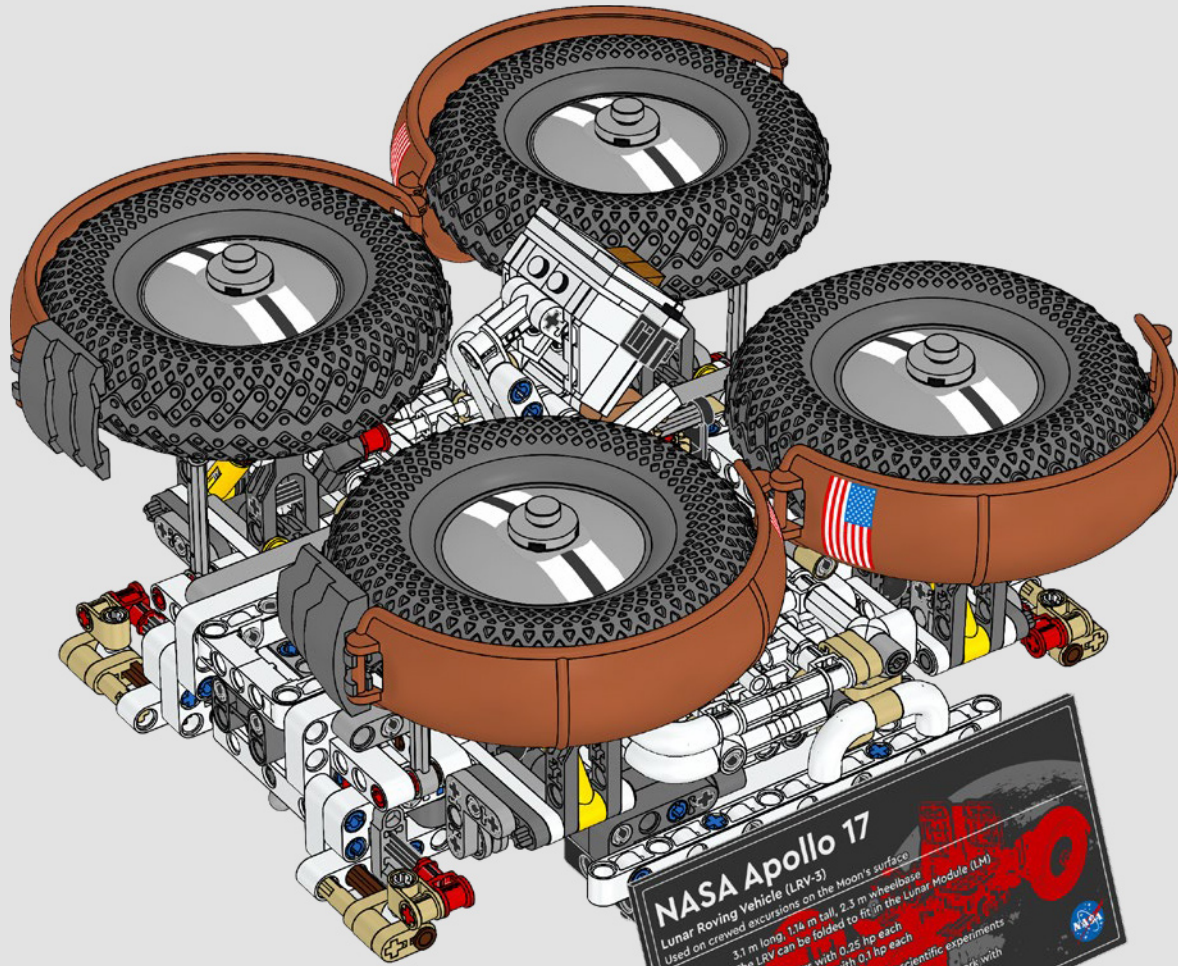












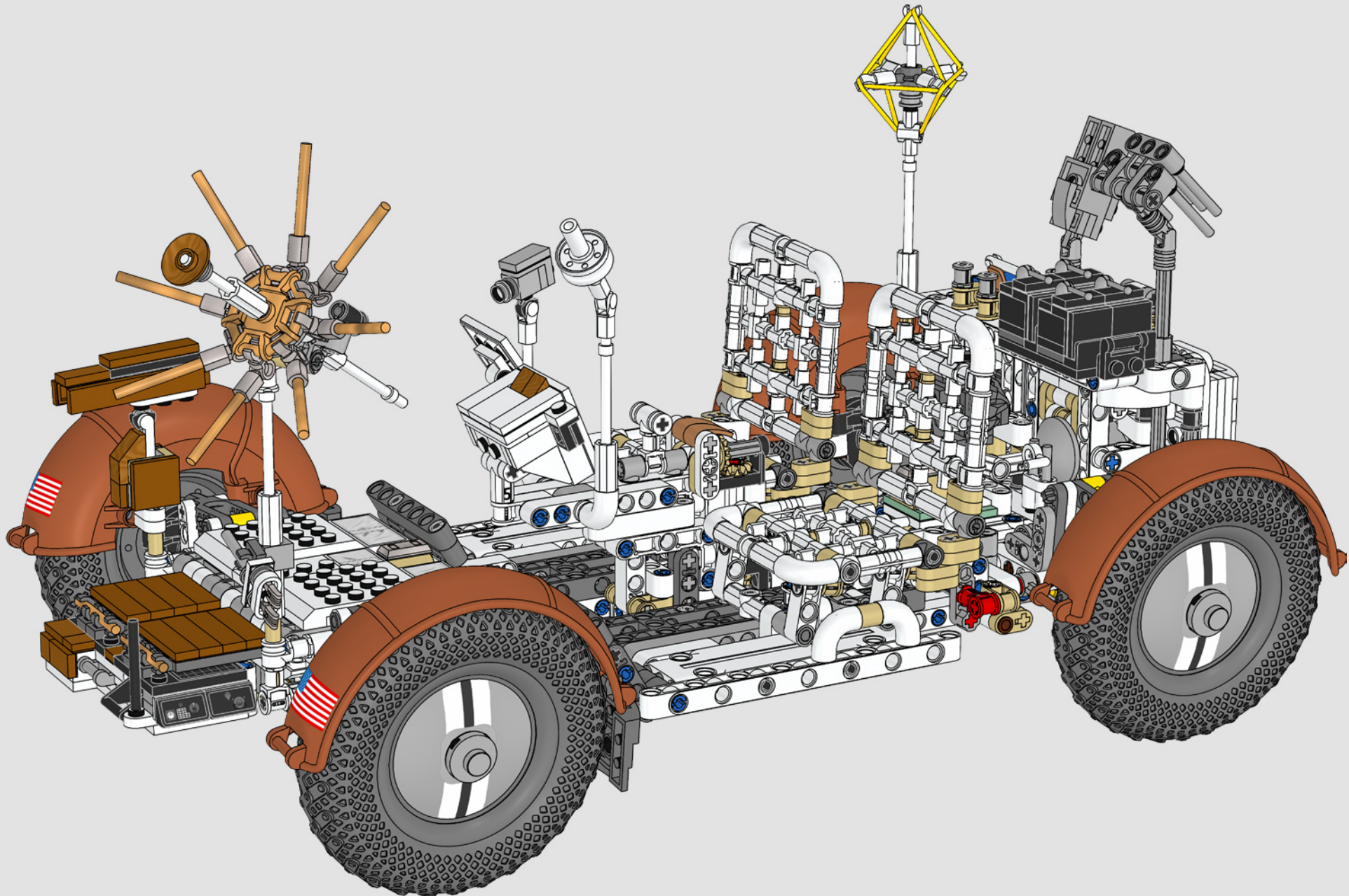
## NASA Apollo 17

Lunar Roving Vehicle (LRV-3)  
Used on crewed excursions on the Moon's surface

- SIZE: 3.1 m long, 1.14 m tall, 2.3 m wheelbase  
The LRV can be folded to fit in the Lunar Module (LM)
- POWER: 4 drive motors with 0.25 hp each  
2 steering motors with 0.1 hp each
- CAPACITY: 2 Astronauts, tools and kits for scientific experiments
- STEERING: Individual wheel locks allow the LRV-3 to work with 2- or 4-wheel steering







1x 6234807  
7x 6341465  
2x 6322489  
19x 6360263  
7x 6284572  
2x 6186681  
4x 6172366  
2x 6383985  
6x 407001  
2x 6296132  
1x 6508268  
3x 4111971  
2x 6357680  
1x 6434569  
5x 6371416  
1x 6210272  
2x 6457115

6x 4547489  
18x 6194851  
9x 6282148  
29x 6310183  
3x 6179606  
18x 6265135  
2x 6345327  
23x 6375684  
2x 6292916  
24x 6212049  
1x 6346389  
2x 6173116  
2x 306901  
9x 6057414  
6x 302301  
2x 6326680

4x 6172927  
1x 6051511  
1x 300401  
1x 6013484  
2x 6271349  
2x 6217875  
2x 6450820  
9x 6360038  
36x 6428803  
16x 6330960  
7x 6257450  
1x 300301  
1x 306801  
1x 6061024  
8x 242001  
1x 6047220

4x 6210385  
1x 6289797  
1x 4515364  
3x 6261390  
8x 6276052  
5x 6402262  
4x 6402213  
17x 6271870  
3x 4208160  
4x 362301  
7x 4558168  
2x 245001  
5x 6223491  
2x 6089696  
1x 6158058

2x 6168618  
4x 6116602  
3x 302101  
1x 6156667  
8x 6271824  
3x 6023806  
1x 6249091  
5x 6104805  
16x 6360069  
2x 302001  
5x 4560178  
6x 6440438  
14x 4585040  
2x 4249021

7x 6439225  
7x 6350399  
1x 6421592  
2x 6132741  
4x 6170419  
4x 366601  
3x 4243812  
2x 6400128  
7x 6471586  
2x 4495927  
2x 6184866  
1x 4163986

4x 6001831  
4x 6016156  
2x 4503008  
2x 6055627  
10x 4620671  
2x 6247435  
5x 6432401  
1x 379523  
2x 303223

2x 6284575  
9x 6268862  
1x 4651236  
4x 4206482  
75x 4206482  
2x 6194417  
1x 6282145  
8x 6390153  
1x 6092582  
2x 6228601  
4x 6378789  
1x 6365486  
2x 4140586  
1x 6336378  
97x 6299413  
3x 306823  
2x 6252060  
2x 4587840



- |                |                 |               |                |               |                |                |                |
|----------------|-----------------|---------------|----------------|---------------|----------------|----------------|----------------|
| 2x<br>6292291  | 2x<br>4548180   | 1x<br>6116604 | 4x<br>6313520  | 1x<br>6020193 | 10x<br>6147169 | 5x<br>6264167  | 36x<br>6261379 |
| 6x<br>4649773  | 148x<br>6279875 | 8x<br>370526  | 1x<br>4225201  | 2x<br>243126  | 1x<br>6388645  | 3x<br>6078236  | 1x<br>6031962  |
| 4x<br>243123   | 46x<br>4109810  | 2x<br>6271825 | 2x<br>6273708  | 2x<br>617926  | 4x<br>6031821  | 1x<br>6404402  | 2x<br>6174929  |
| 1x<br>371023   | 1x<br>6282140   | 2x<br>6092570 | 4x<br>300326   | 4x<br>6378480 | 9x<br>6450558  | 4x<br>6265247  | 8x<br>4666999  |
| 1x<br>370123   | 2x<br>6265091   | 2x<br>6254045 | 4x<br>302226   | 3x<br>6435016 | 1x<br>4616578  | 2x<br>6347439  | 2x<br>6274738  |
| 2x<br>4560180  | 14x<br>4512363  | 1x<br>302326  | 4x<br>302226   | 7x<br>6279881 | 8x<br>6335230  | 2x<br>6189071  | 2x<br>6240030  |
| 1x<br>4243815  | 1x<br>302326    | 4x<br>306926  | 4x<br>306826   | 1x<br>6029578 | 4x<br>6168644  | 10x<br>6332155 | 9x<br>4211399  |
| 4x<br>4286267  | 4x<br>306926    | 4x<br>6092585 | 4x<br>306826   | 1x<br>6029578 | 8x<br>6439051  | 2x<br>6332144  | 7x<br>6336539  |
| 1x<br>6088550  | 1x<br>243226    | 1x<br>6092585 | 4x<br>306826   | 1x<br>6029578 | 2x<br>4544151  | 2x<br>6051507  | 1x<br>4558953  |
| 2x<br>6168646  | 1x<br>243226    | 4x<br>6439175 | 18x<br>6089119 | 1x<br>370826  | 1x<br>6130012  | 2x<br>6082975  | 3x<br>6362975  |
| 2x<br>6439039  | 1x<br>4618852   | 2x<br>366626  | 16x<br>6321745 | 2x<br>6265643 | 1x<br>6206248  | 15x<br>6167923 | 1x<br>6070564  |
| 10x<br>6121485 | 4x<br>6117973   | 1x<br>6390379 | 1x<br>4552347  | 2x<br>6265643 | 2x<br>6361354  | 3x<br>4565452  | 1x<br>6070564  |
| 1x<br>307026   | 4x<br>6271346   | 4x<br>6459445 | 1x<br>4552347  | 4x<br>6484420 | 8x<br>6338570  | 2x<br>6374151  | 2x<br>6347715  |
| 1x<br>6234695  | 1x<br>4560182   | 4x<br>6459445 | 3x<br>4142822  | 4x<br>6484420 | 2x<br>6208446  | 2x<br>6357613  | 4x<br>6267587  |
| 13x<br>6261371 | 4x<br>6408182   | 2x<br>6469830 | 1x<br>6362991  | 4x<br>6484420 | 2x<br>6191668  | 9x<br>6013938  | 13x<br>6168647 |

- 2x 4529241
- 2x 6250597
- 3x 6448793
- 3x 6275844
- 2x 4211415
- 2x 6176433
- 4x 4211758
- 2x 6443149
- 1x 6265704
- 2x 6348143
- 2x 6261375
- 9x 4211880
- 2x 6271539
- 5x 6179186
- 2x 6282142
- 9x 6123815
- 1x 6265089
- 5x 4512360
- 1x 6380605
- 3x 6173127
- 1x 6266251
- 4x 4211398
- 1x 6144138

- 1x 4211414
- 3x 4211609
- 1x 4667578
- 4x 6331859
- 1x 4244627
- 8x 6271815
- 1x 6093527
- 1x 6212077
- 2x 6132886
- 37x 4211815
- 4x 6321747
- 2x 4211536
- 4x 6276969
- 1x 6331441

3

- 6x 6438836
- 2x 6210581
- 2x 6370947
- 5x 6116608
- 1x 6347992
- 2x 6331574
- 1x 4211445
- 6x 4211639
- 4x 6452875
- 4x 6463327
- 3x 4211805
- 6x 4495930
- 5x 4611705

5

7

7

11

- 9x 6258973
- 4x 6271820
- 27x 6378120
- 2x 6345637
- 8x 6360104
- 4x 6378122
- 2x 6371442
- 26x 4142865
- 4x 403221
- 4x 6344178
- 20x 6209519
- 1x 6130002
- 18x 6135494
- 12x 6159763
- 1x 6347790
- 1x 6240515

6

3

5

- 4x 6360824
- 12x 6327561
- 11x 6083620
- 2x 6350292
- 6x 6168609
- 6x 6296856
- 1x 6012451
- 8x 6395635
- 5x 6344022
- 4x 6365695
- 19x 6005331
- 4x 6282144
- 4x 6268923
- 6x 4211063
- 2x 6314192

4

7

- 2x 6301368
- 4x 4508553
- 8x 6278260
- 2x 6310189
- 4x 6271830
- 3x 4495931
- 2x 6316692
- 1x 4211055
- 10x 6015356
- 8x 6258991
- 2x 6271876
- 6x 4210751
- 2x 6475314

5,5

- 2x 6307616
- 4x 6483729
- 4x 6452865
- 3x 6396963
- 2x 6396964
- 2x 6396922
- 2x 6463326
- 2x 6504968

15



LEGO.com/service



# YOU COULD WIN



## YOU COULD WIN

Your feedback will help shape the future development of this product series.

Visit:

## DU KÖNNTEST GEWINNEN

Dein Feedback trägt zur Weiterentwicklung dieser Produktreihe bei.

Geh auf:

## VOUS POURRIEZ GAGNER

Vos commentaires nous aideront à concevoir les futurs produits de cette gamme.

Visitez :

## POTRESTI VINCERE TU

La tua opinione ci aiuterà a migliorare la creazione futura di questa linea di prodotti.

Visita:

## PUEDES GANAR

Tu opinión contribuirá al futuro de esta serie de productos.

Visita:

## 轻松获奖

您的反馈将有助于我们在今后改进本产品系列。

请访问:

---

**[LEGO.com/productfeedback](https://LEGO.com/productfeedback)**

---

You also have the chance to win a LEGO® set.

Terms and conditions apply.\*

Außerdem hast du die Chance, ein LEGO® Set zu gewinnen.

Es gelten die Teilnahmebedingungen.\*

Vous pourriez également gagner un ensemble LEGO®.

Des conditions s'appliquent.\*

Hai anche la possibilità di vincere un set LEGO®.

Termini e condizioni sono applicabili.\*

También tienes la oportunidad de ganar un set LEGO®.

Aplican términos y condiciones.\*

您还有机会赢取乐高®套装。

条款和条件适用。\*

\*[LEGO.com/productfeedback-terms](https://LEGO.com/productfeedback-terms)



LEGO and the LEGO logo are trademarks of the LEGO Group. ©2024 The LEGO Group. 6532207

NASA Insignia and identifiers provided and used with permission of NASA.