

76274



Q LEGO® Builder



### **Get excited about our new packaging!**

We're switching from plastic to paper-based packaging. That's why you might find a mix of paper and plastic in our boxes!

### **Nos nouveaux emballages vous emballeront !**

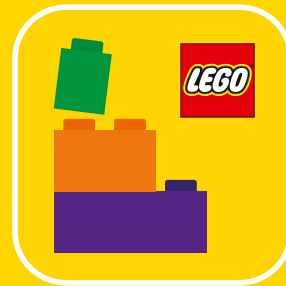
Nous passons des emballages en plastique aux emballages à base de papier. C'est pourquoi vous pourriez trouver un mélange de papier et de plastique dans nos boîtes !

### **¡Te presentamos nuestros nuevos empaques!**

Estamos sustituyendo las bolsas de plástico por bolsas con base de papel. ¡Por eso, puedes encontrar una mezcla de papel y de plástico en nuestras cajas!

**[LEGO.com/sustainable-packaging](https://www.lego.com/sustainable-packaging)**





# BUILDER

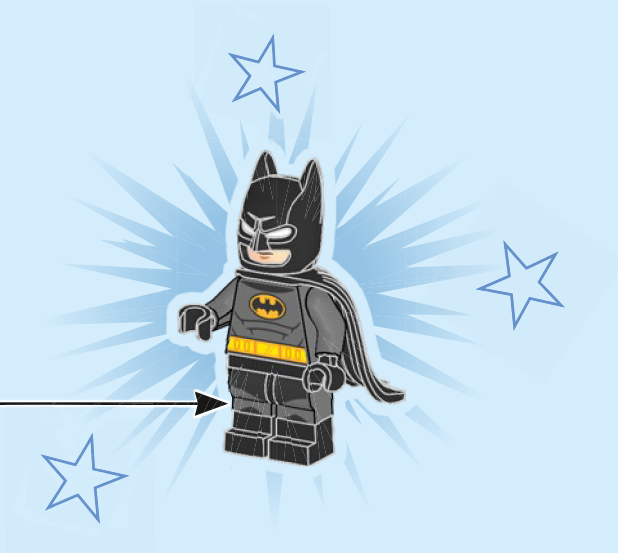
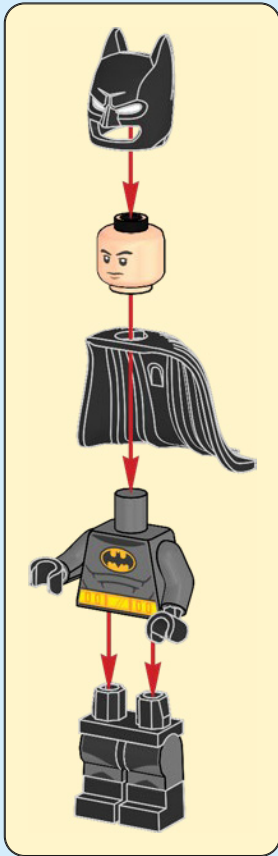


Apple and the Apple logo are trademarks of Apple Inc., registered in the U.S. and other countries and regions. App Store is a service mark of Apple Inc. Google Play and the Google Play logo are trademarks of Google LLC. Tencent and the Tencent logo are trademarks of Tencent Inc.

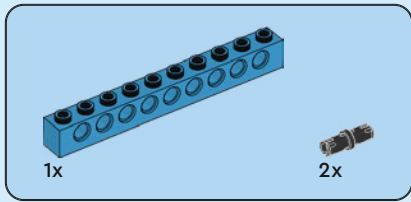
[LEGO.com/devicecheck](https://www.lego.com/devicecheck)

**EN** Ask parents' permission before going online | **DE** Eltern um Erlaubnis bitten, bevor du online gehst | **FR** Demande l'autorisation d'un parent avant d'aller en ligne | **IT** Chiedi il permesso ai tuoi genitori prima di andare online | **ES** Pídeles permiso a tus papás antes de conectarte a Internet | **PT** Peça autorização aos pais antes de acederes online | **ZH** 上网前应先征得父母的同意 | **PL** Poproś rodziców o zgodę, zanim wejdiesz do Internetu | **CS** Než půjdeš na internet, požádej rodiče o svolení | **SK** Skôr než pôjdeš na internet, vypýtaj si povolenie od rodičov | **HU** Kérj szülői engedélyt, mielőtt online csatlakoznál! | **RO** Cere permisiunea părinților înainte de a te conecta online | **BG** Поискайте разрешение от родител, преди да влезете онлайн | **LV** Pirms došanās tiešsaistē palūdz atļauju vecākiem | **ET** Enne Interneti kasutamist küsi vanematelt luba | **LT** Prieš prisijungdami prie interneto, atsklauskite tėvų

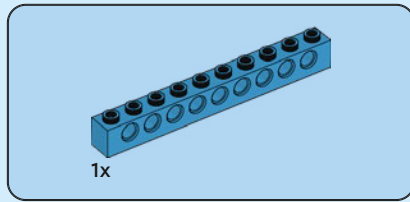
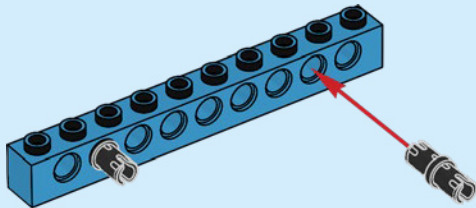




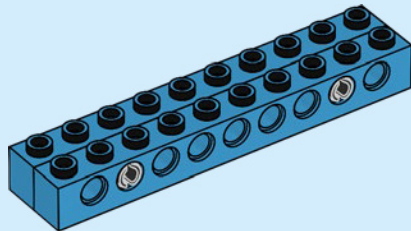




1

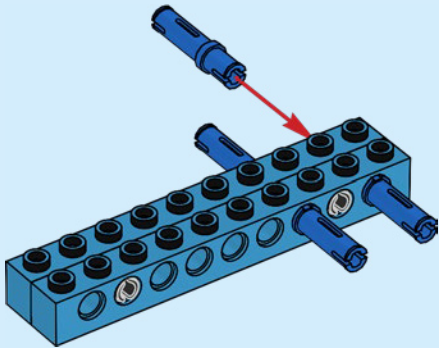


2

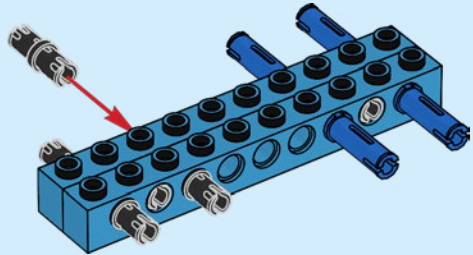


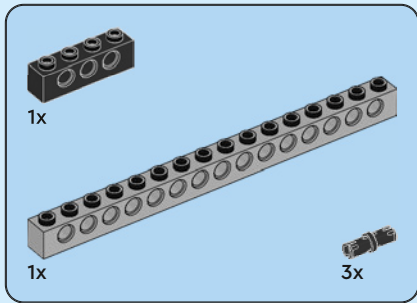


3

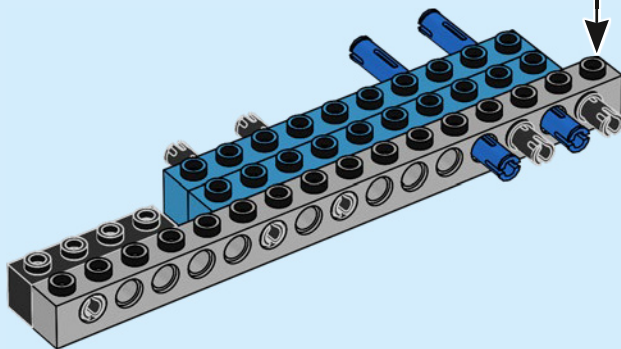
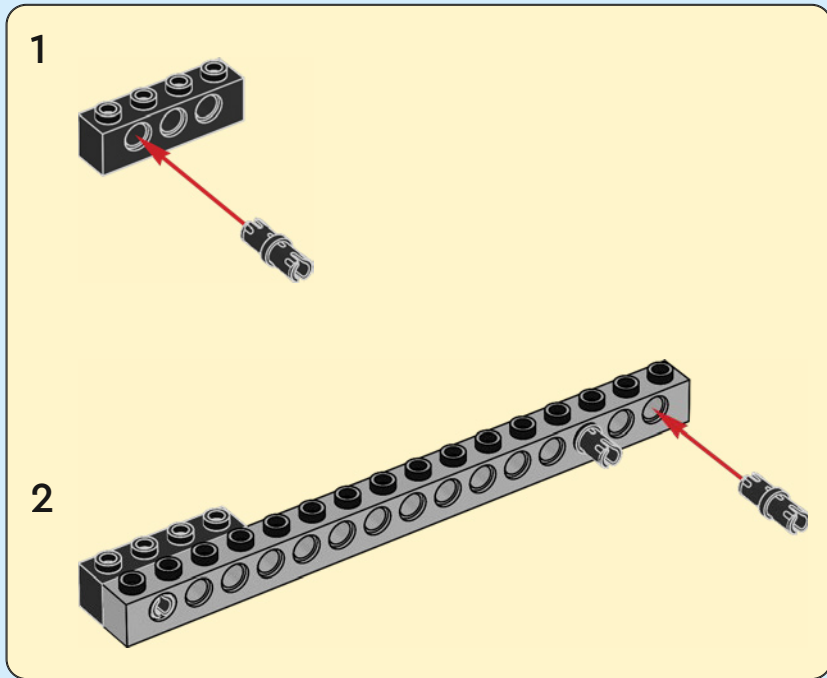


4

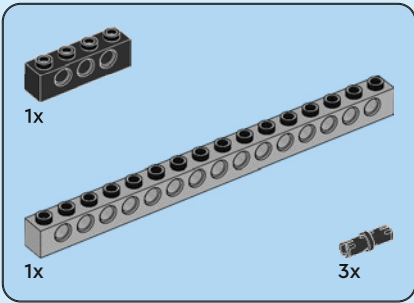




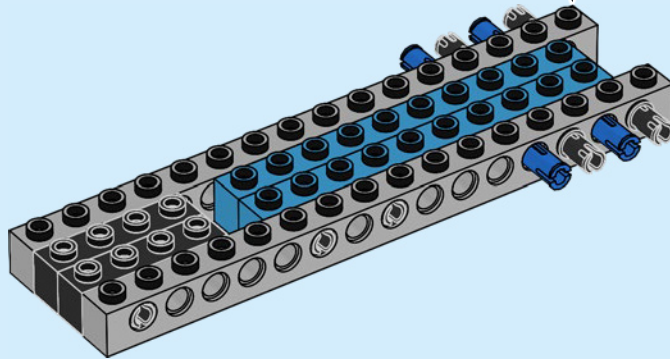
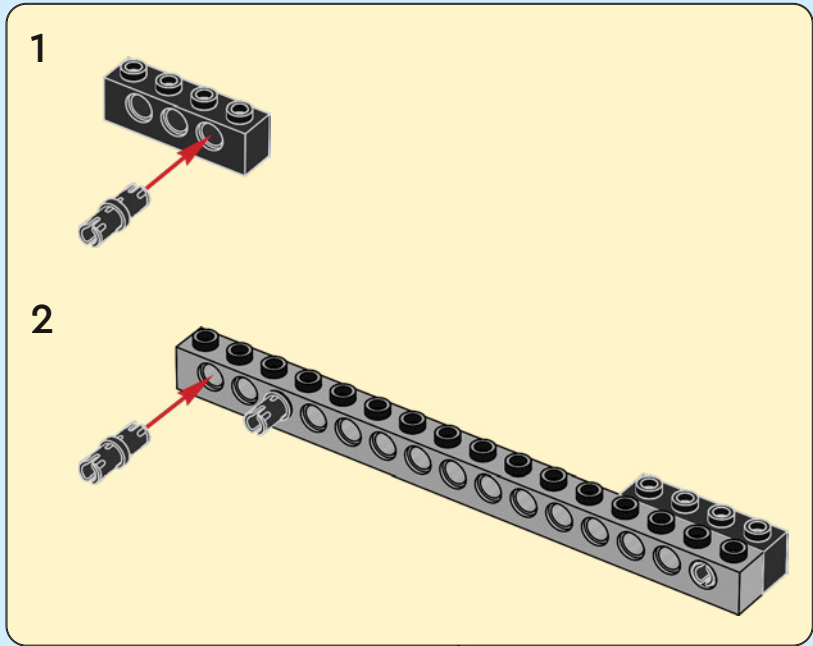
5

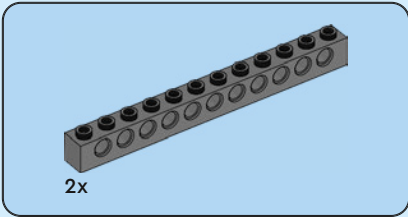




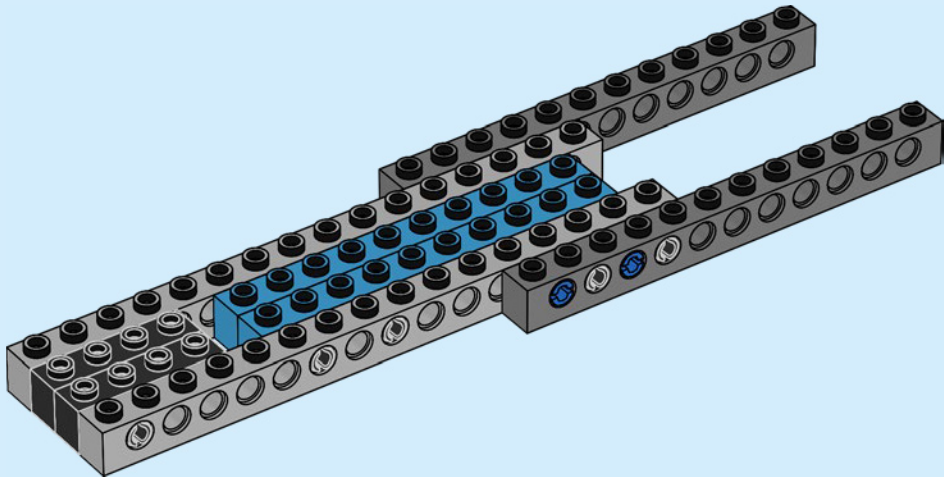


6



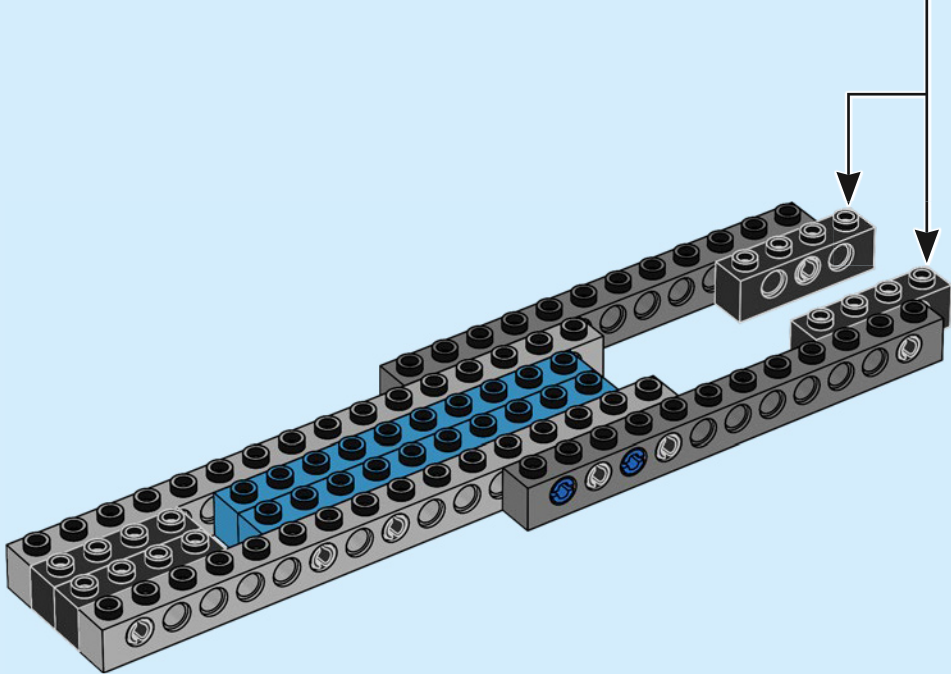
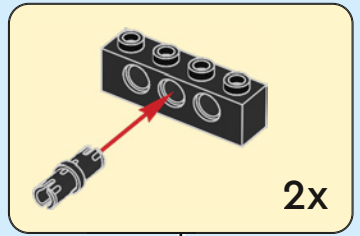


7

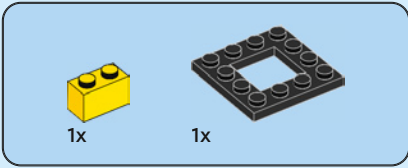




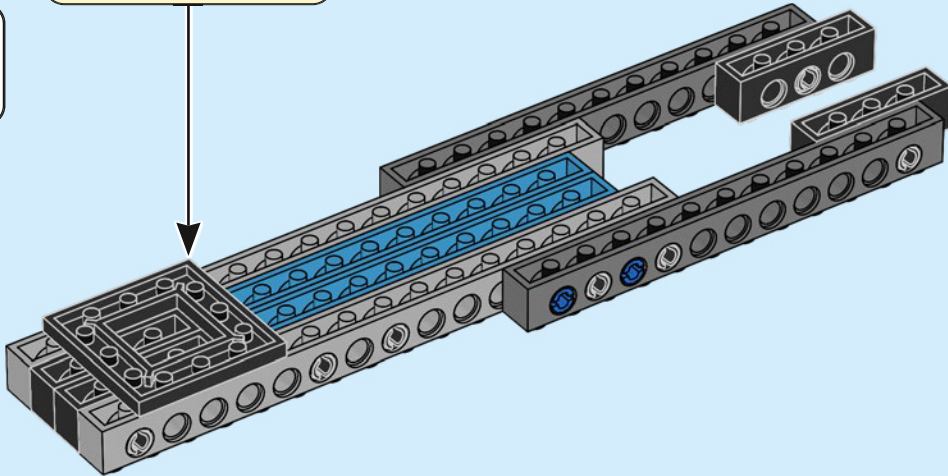
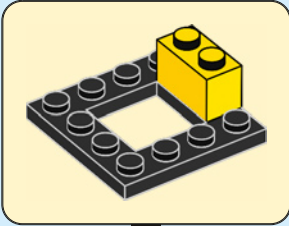
8

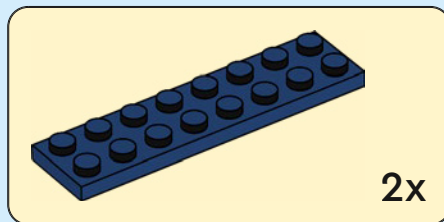
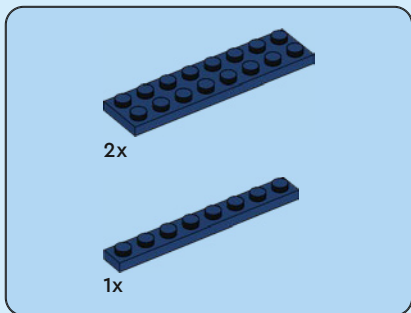




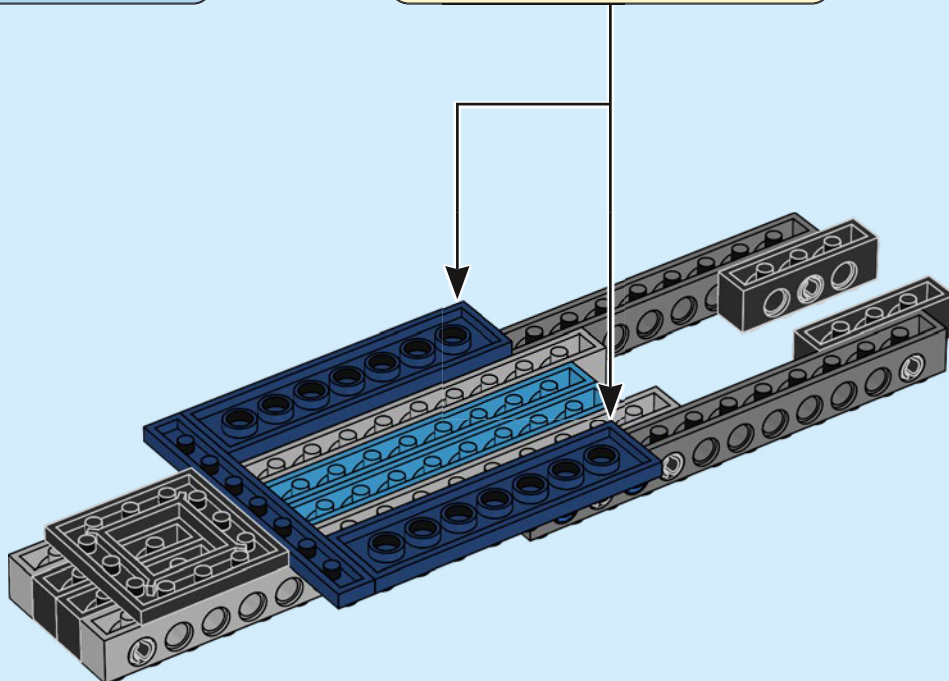


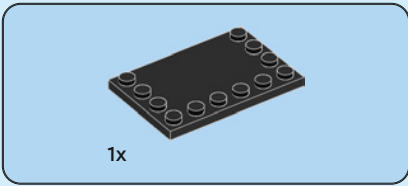
9



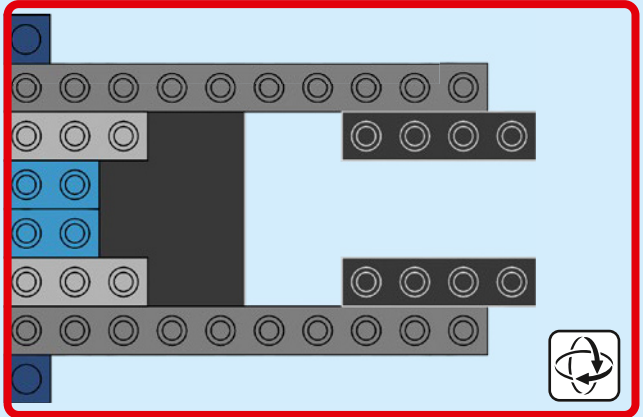
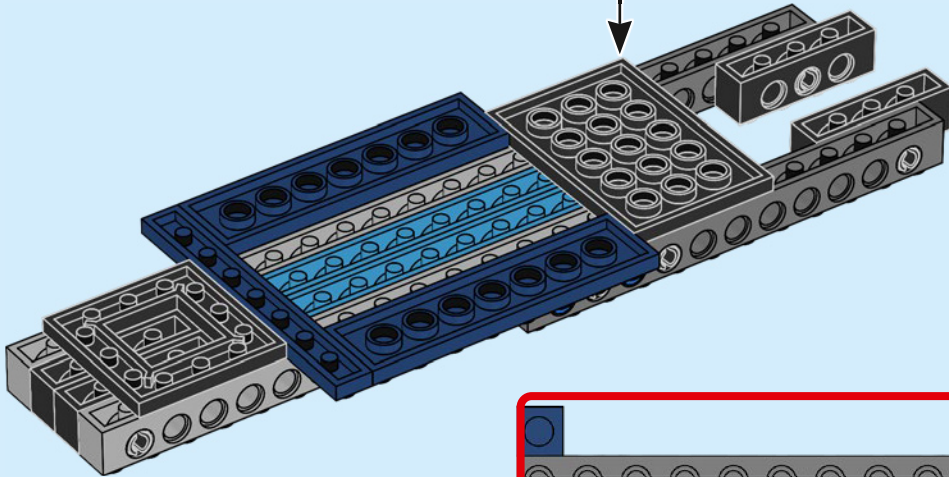
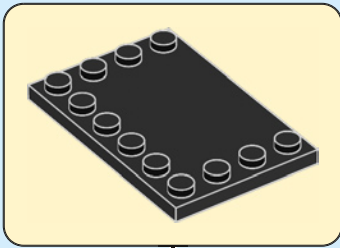


10

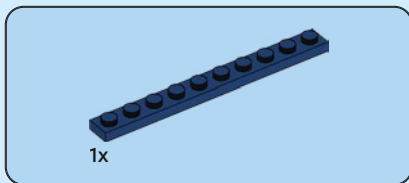




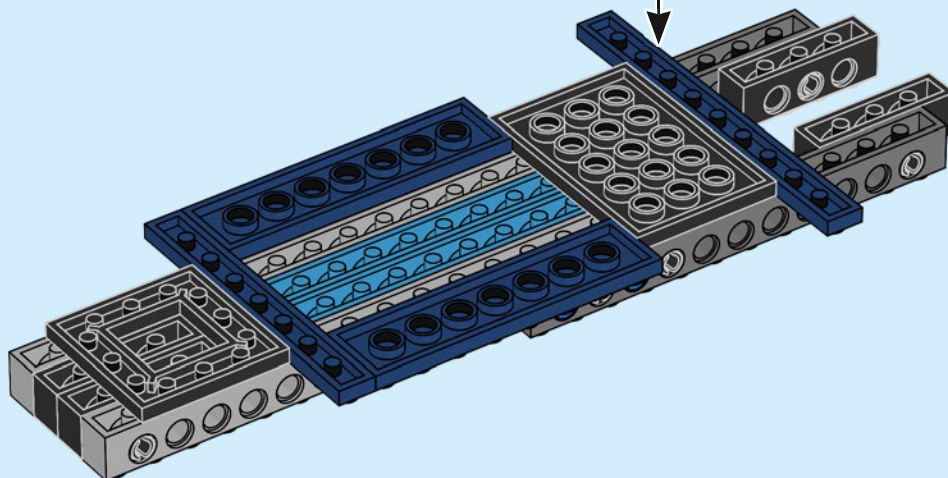
11

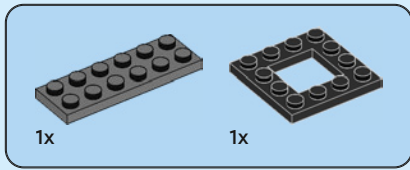




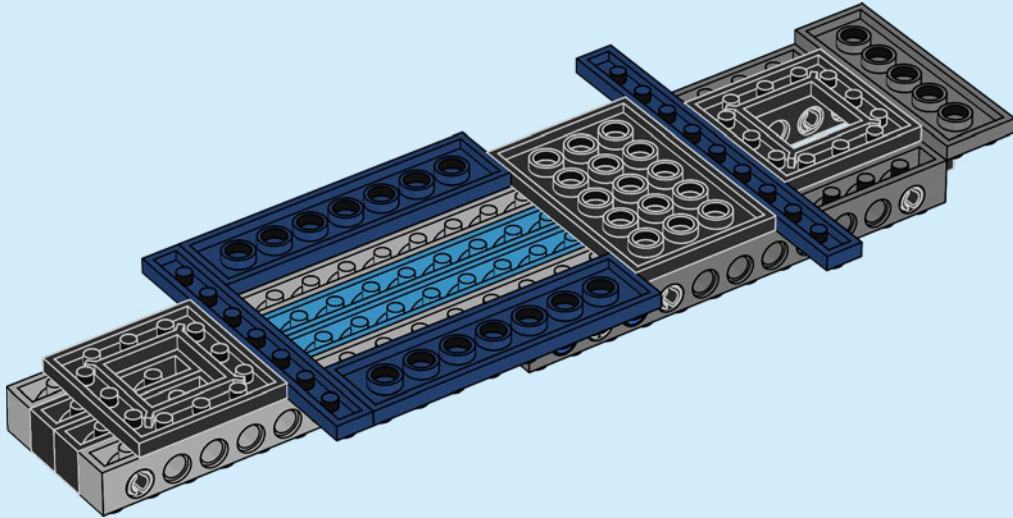


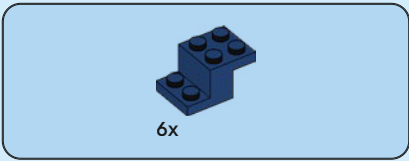
12



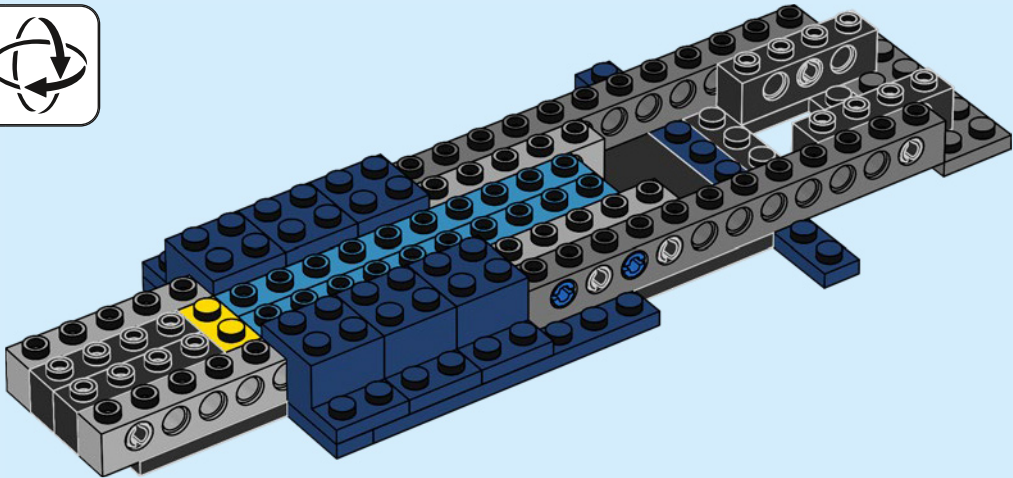


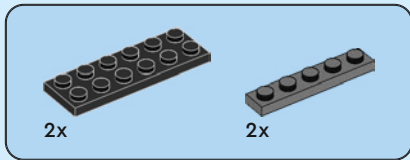
13



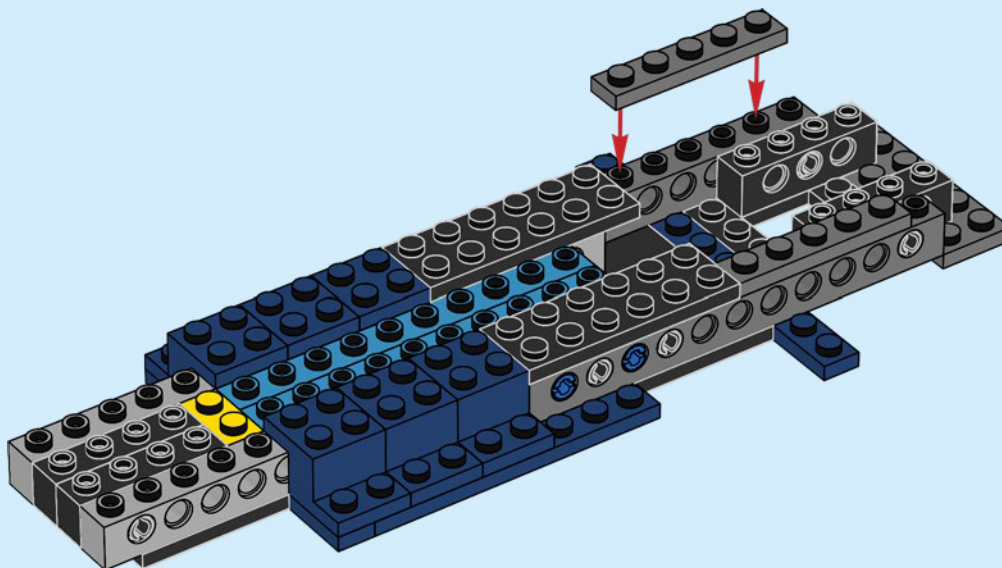


14





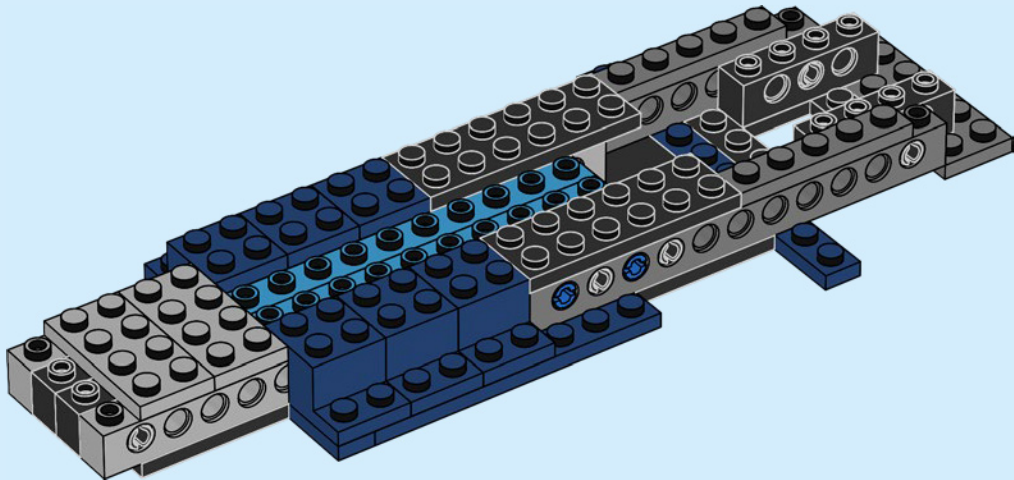
15





2x

16



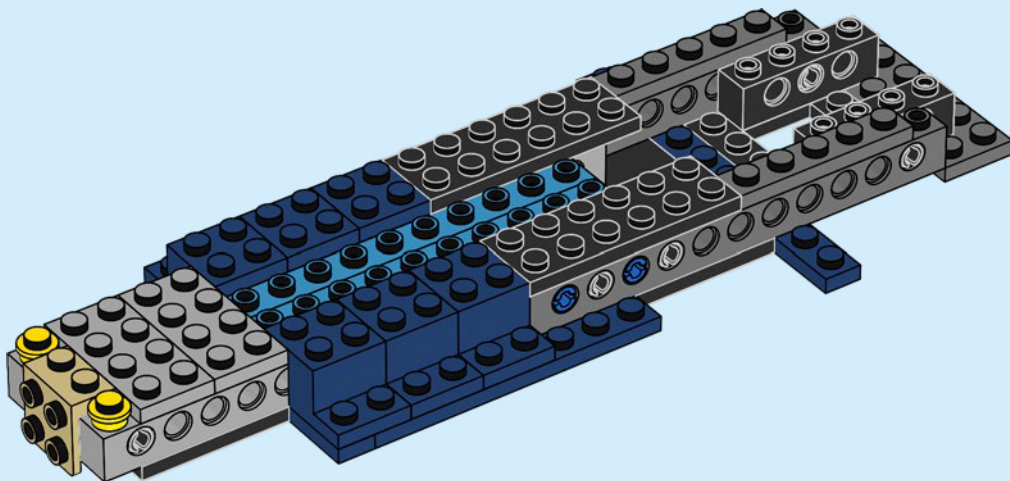


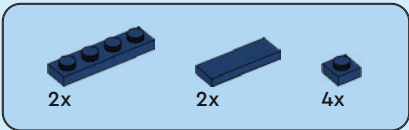
1x



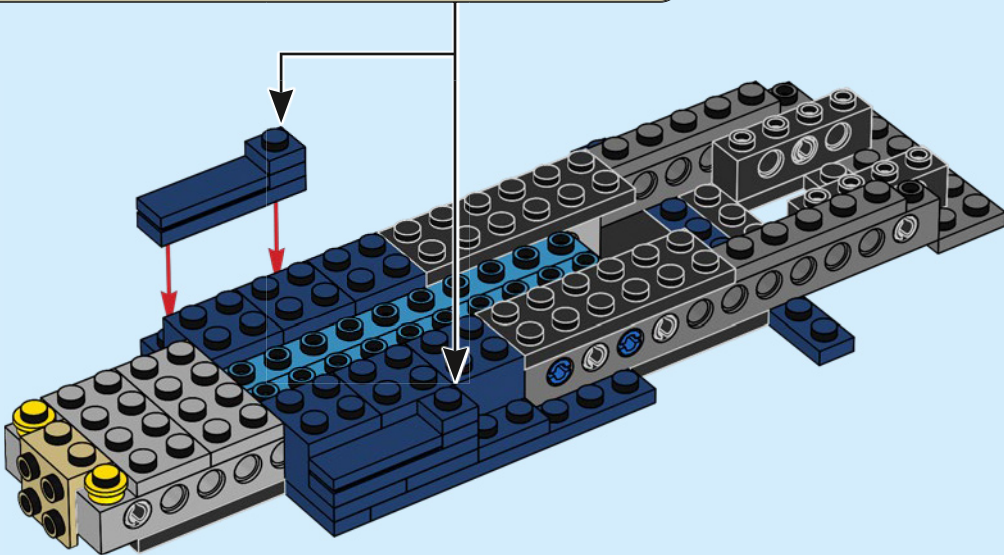
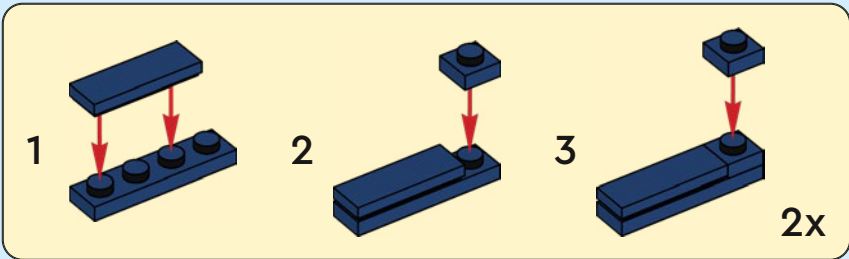
2x

17

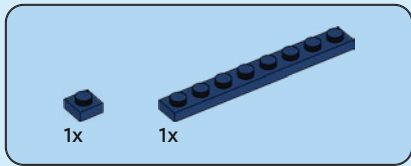




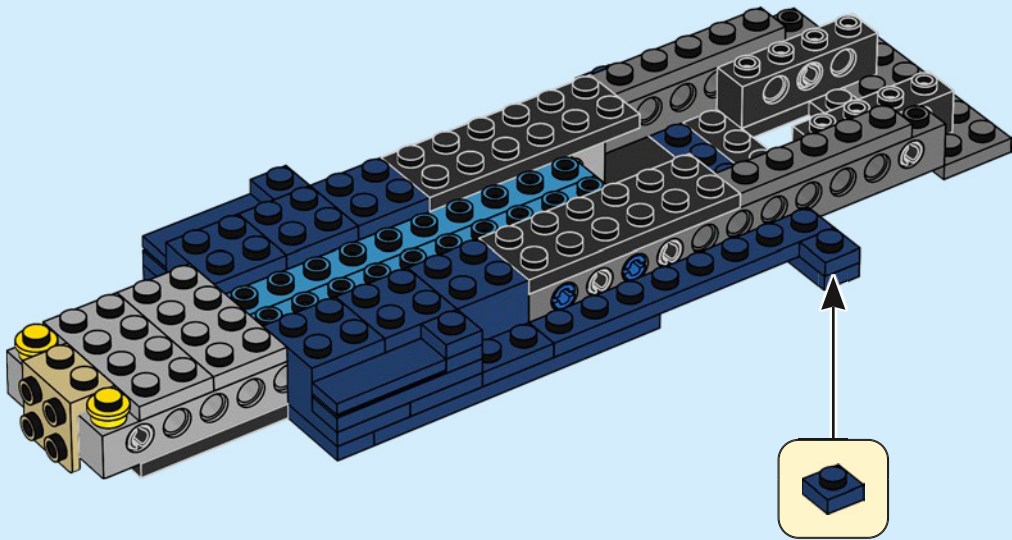
18

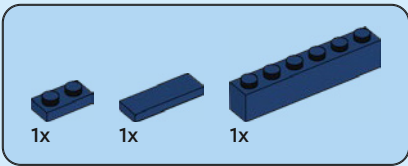




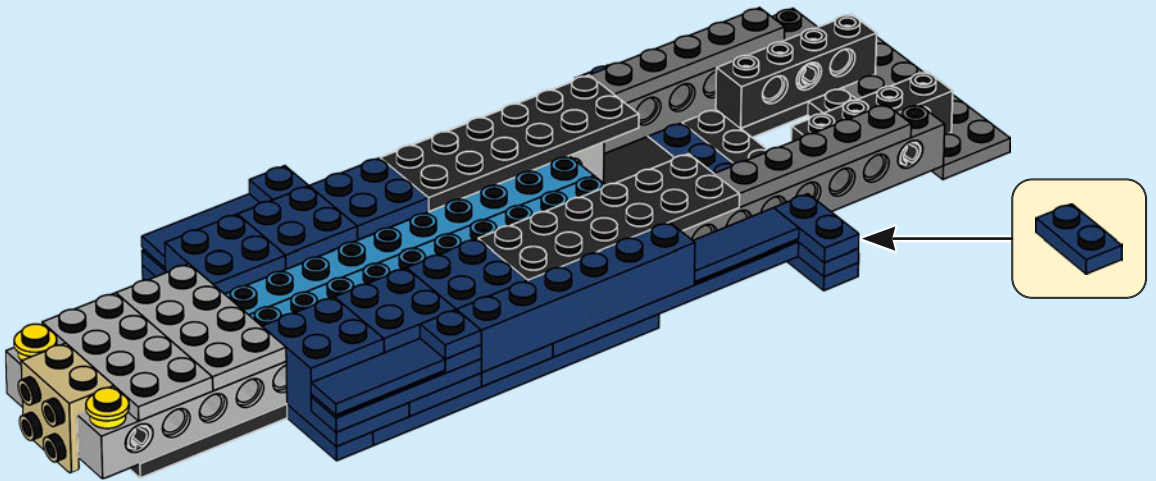


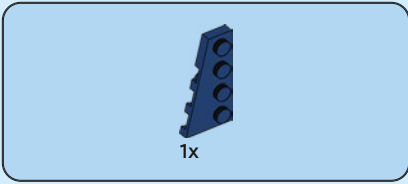
19



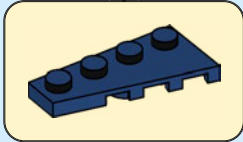
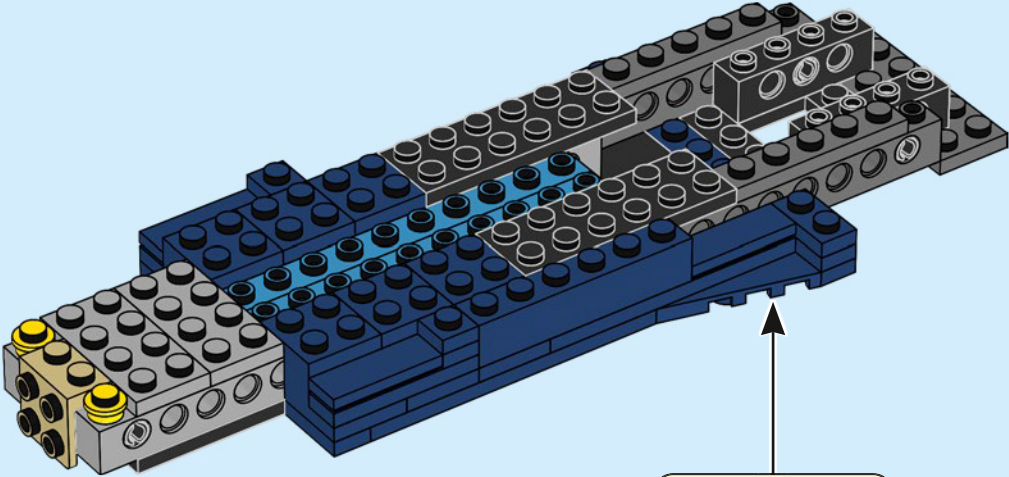


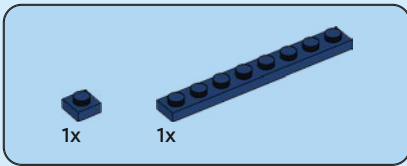
20



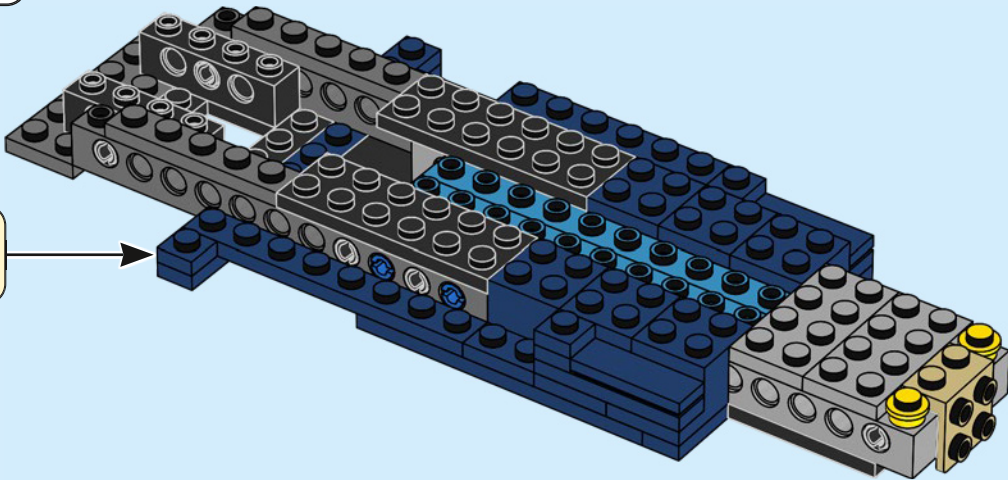


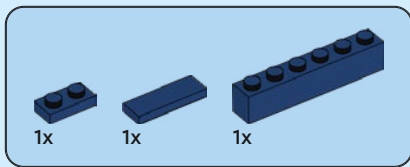
21



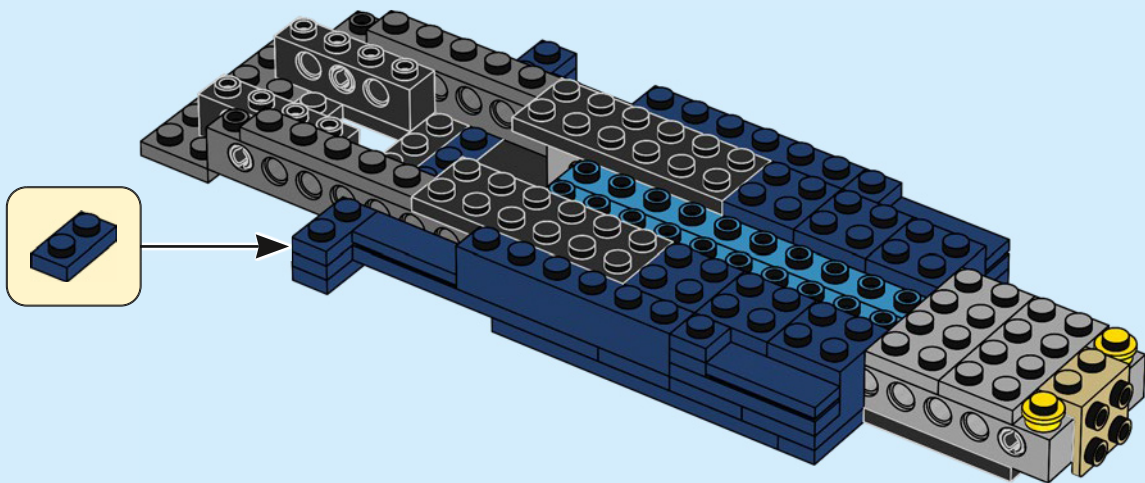


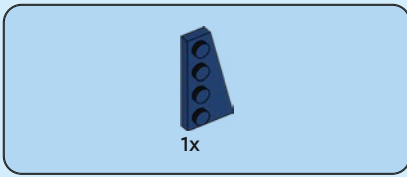
22



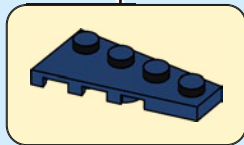
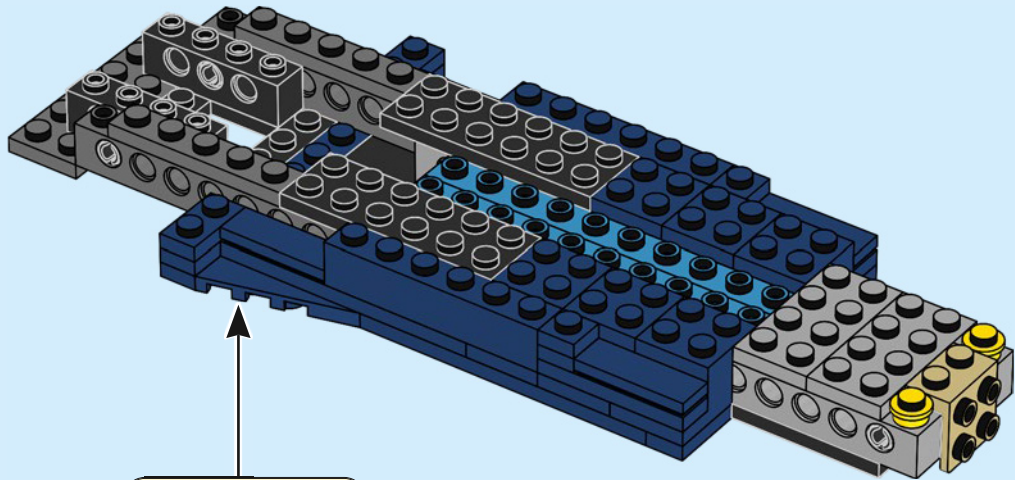


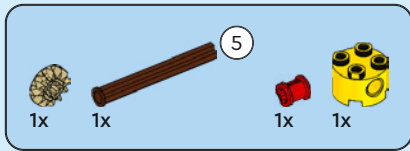
23



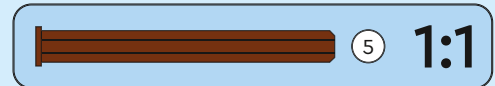
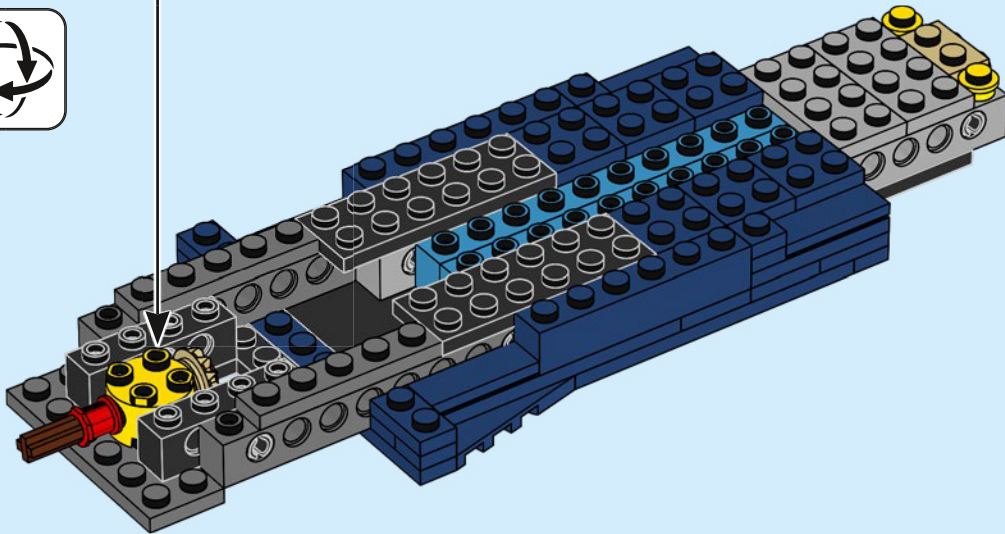
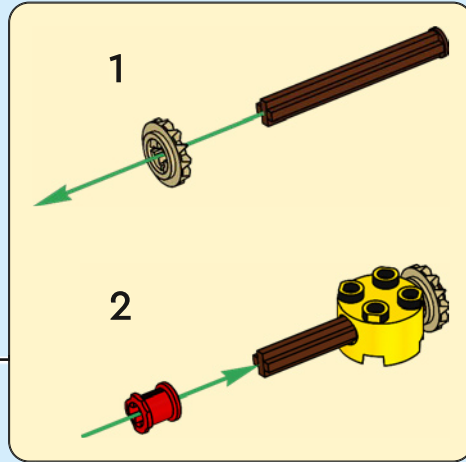


24

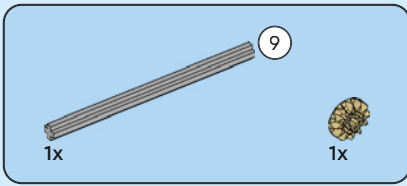




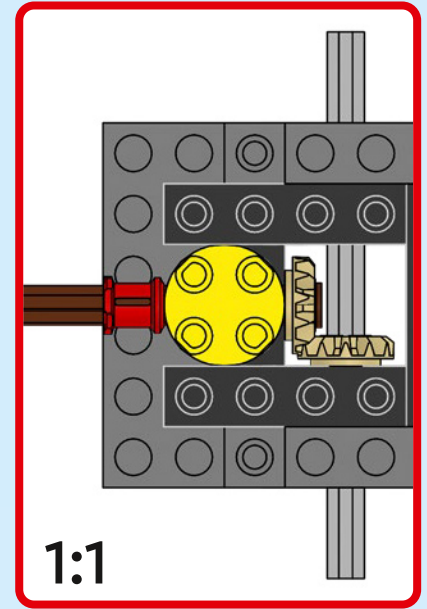
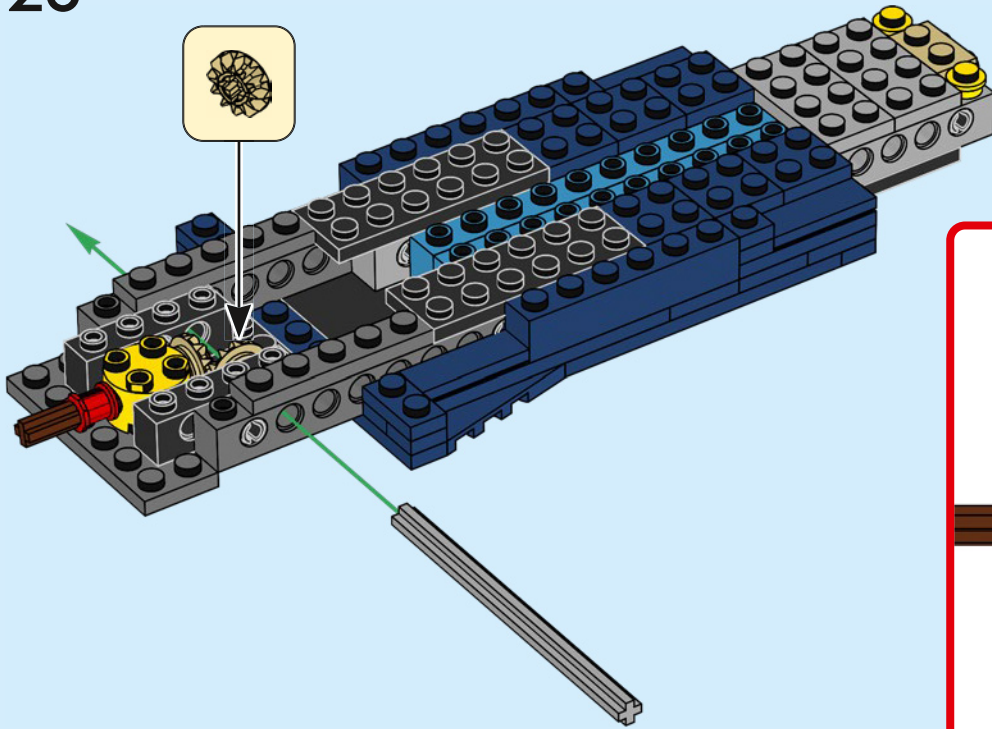
25





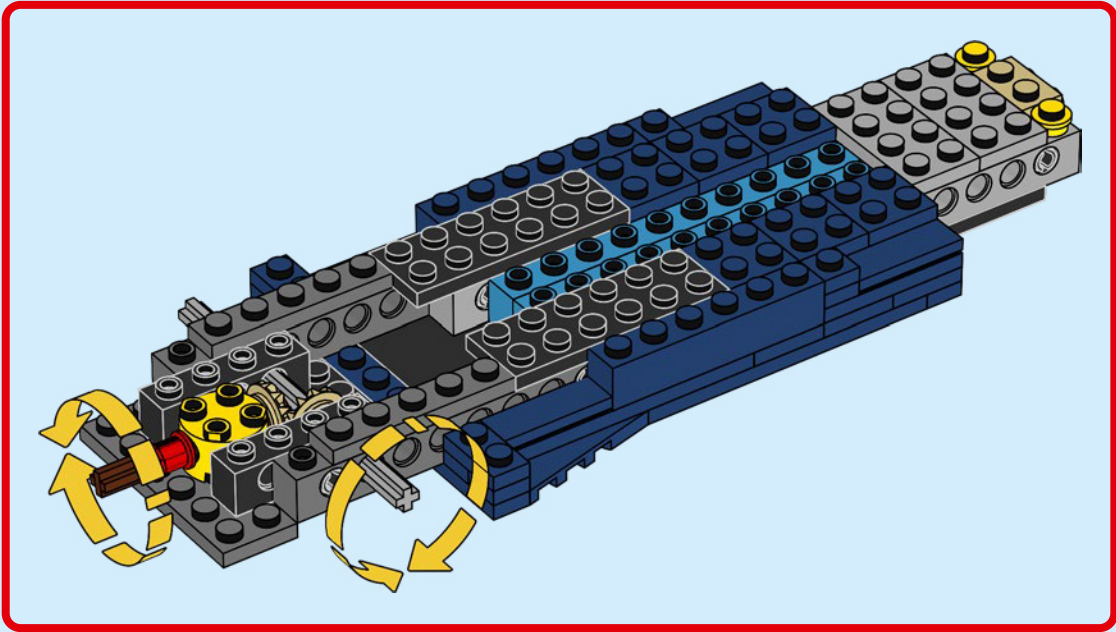


26



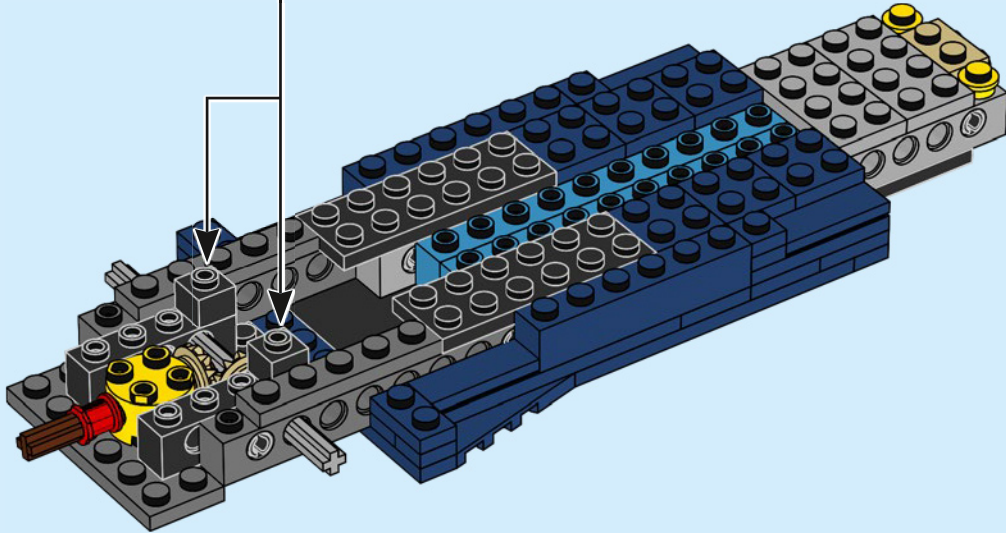
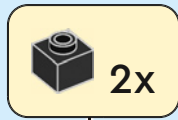
1:1







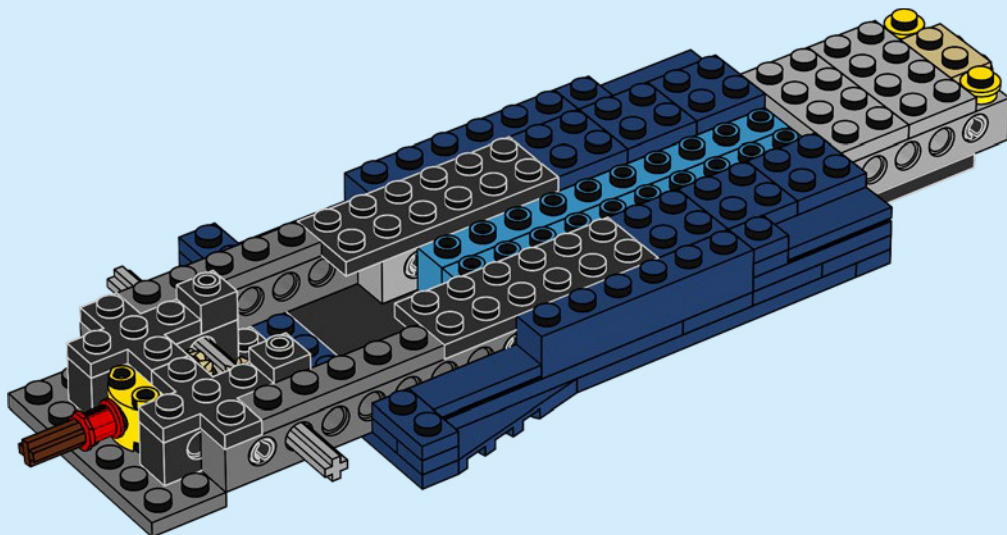
27





2x

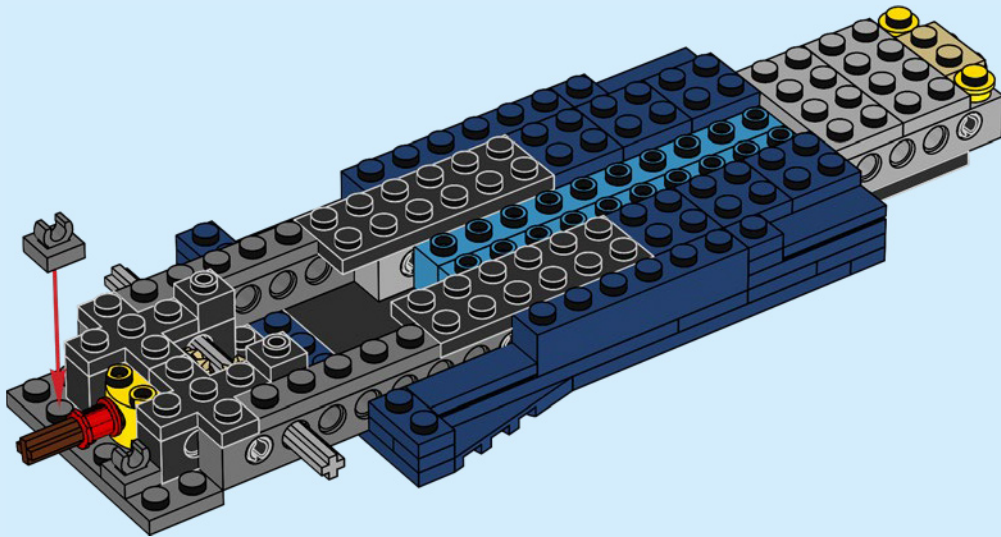
28





2x

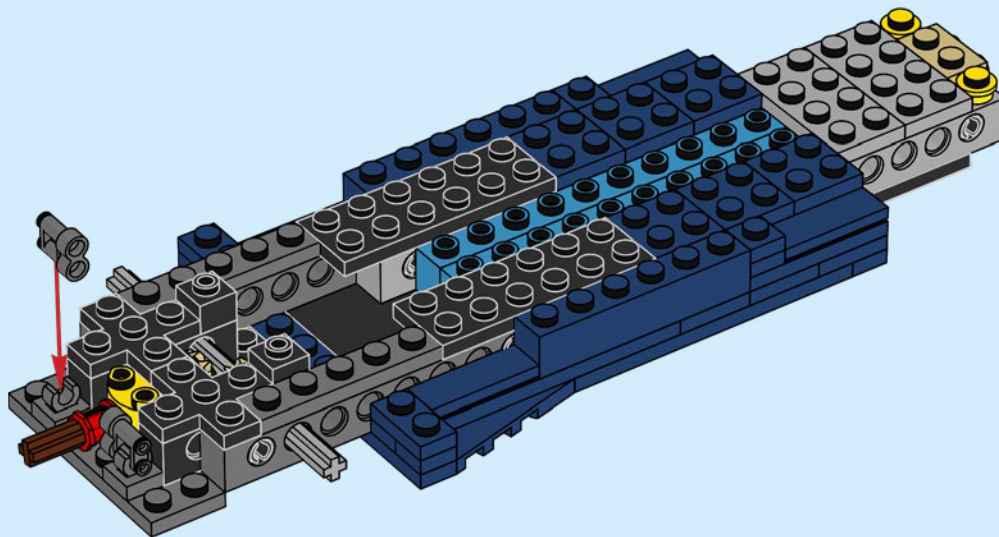
29

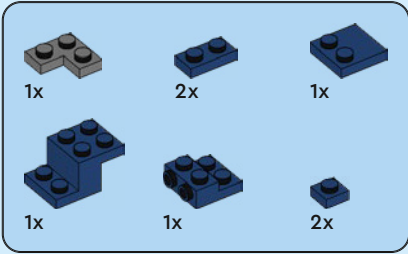
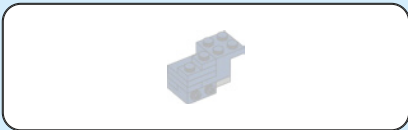




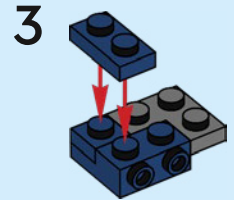
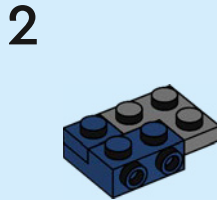
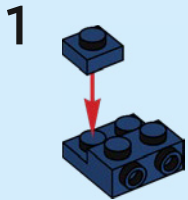
2x

30



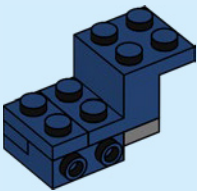


31

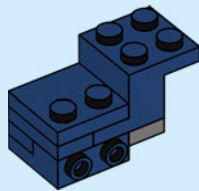




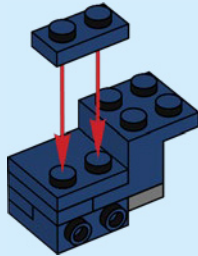
4



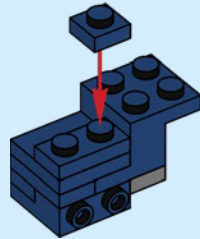
5

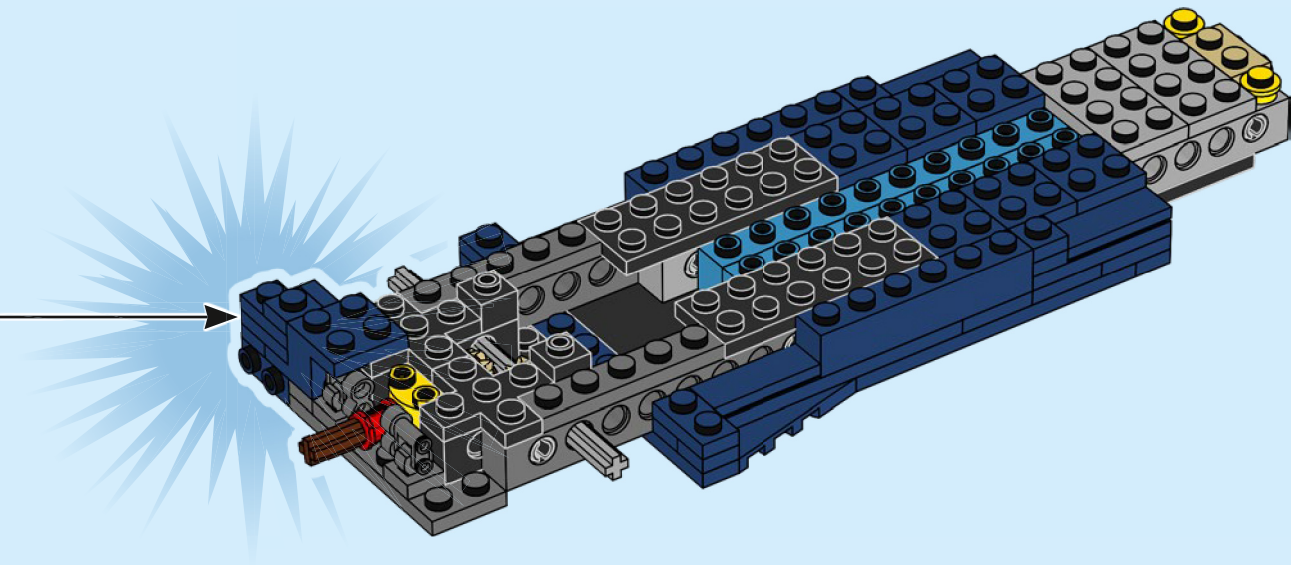


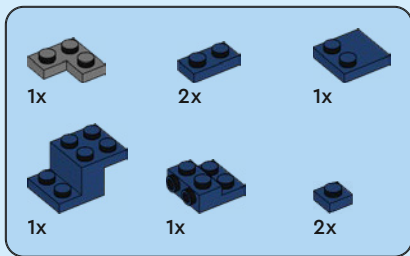
6



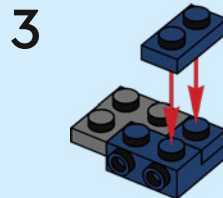
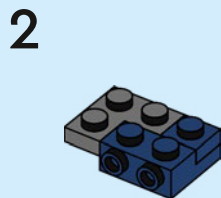
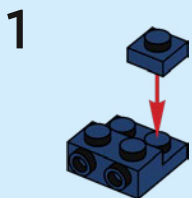
7



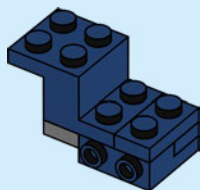




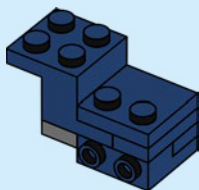
# 32



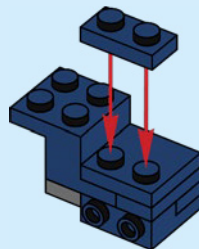
4



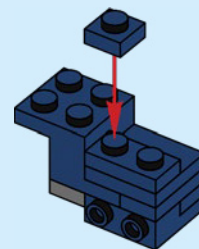
5

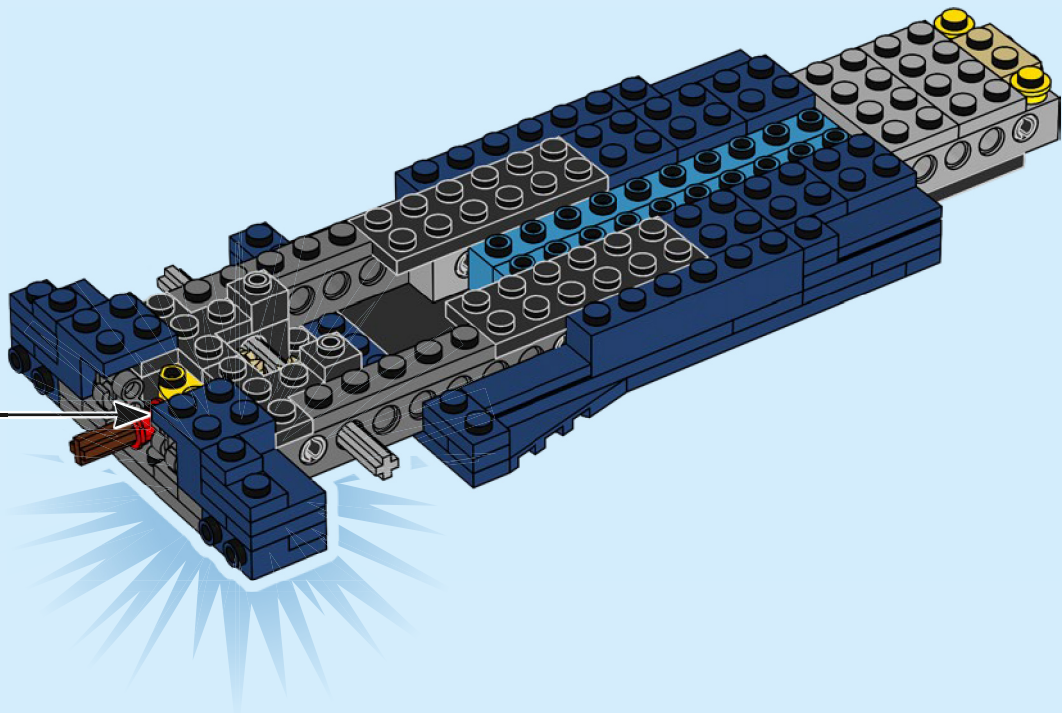


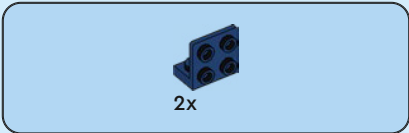
6



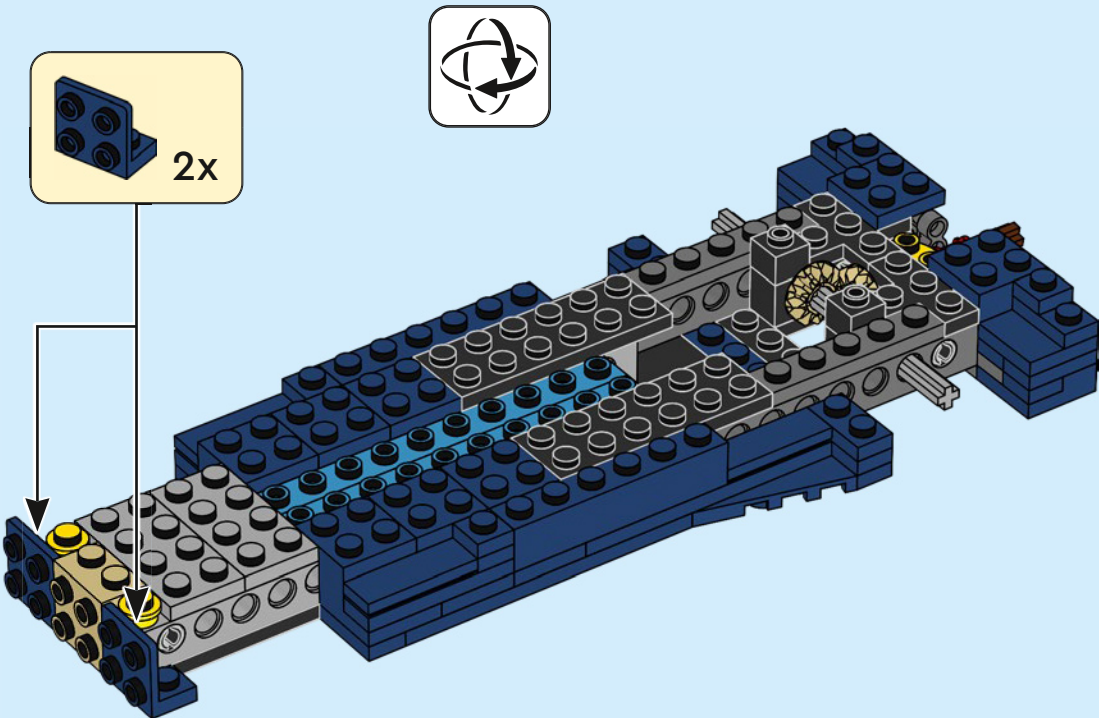
7





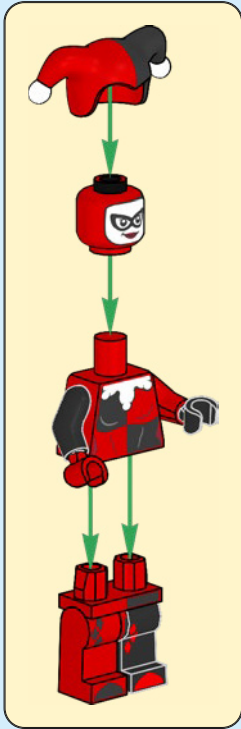
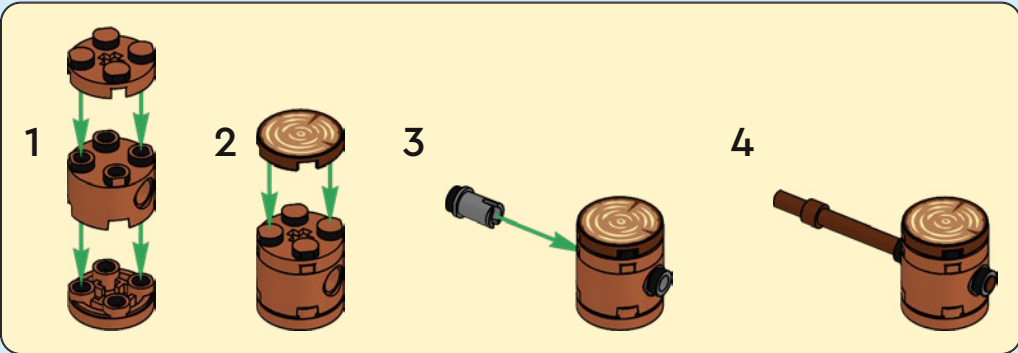


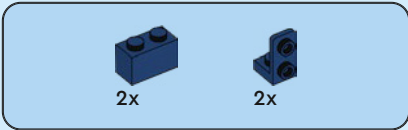
33



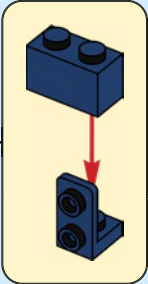
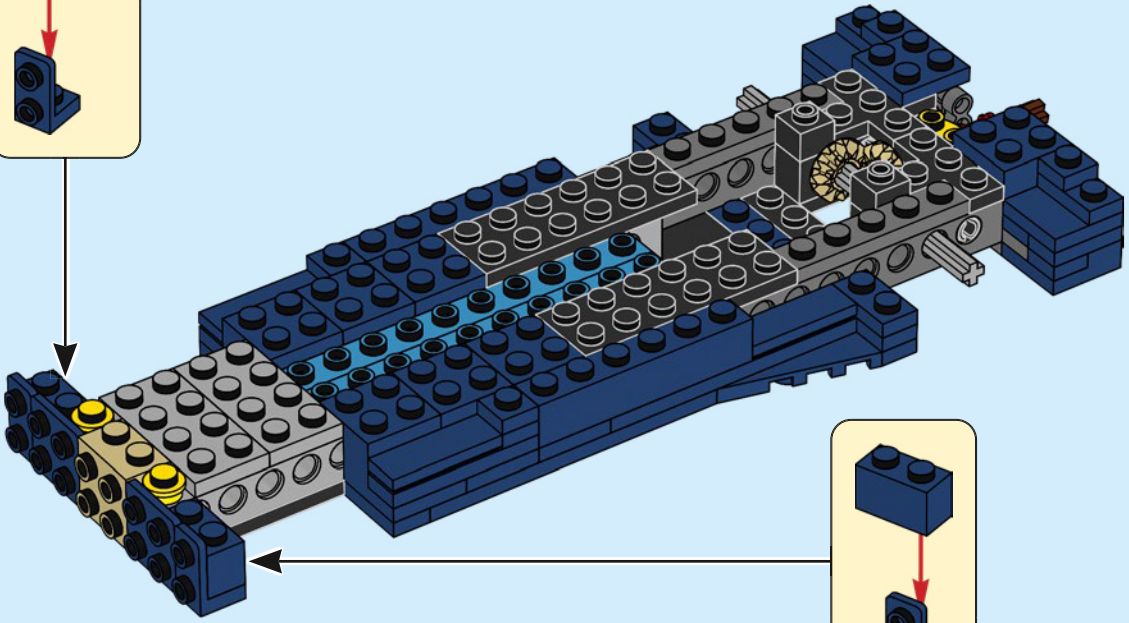
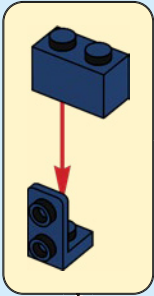


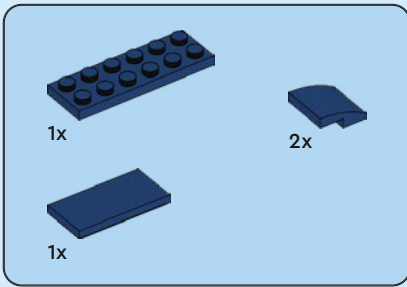




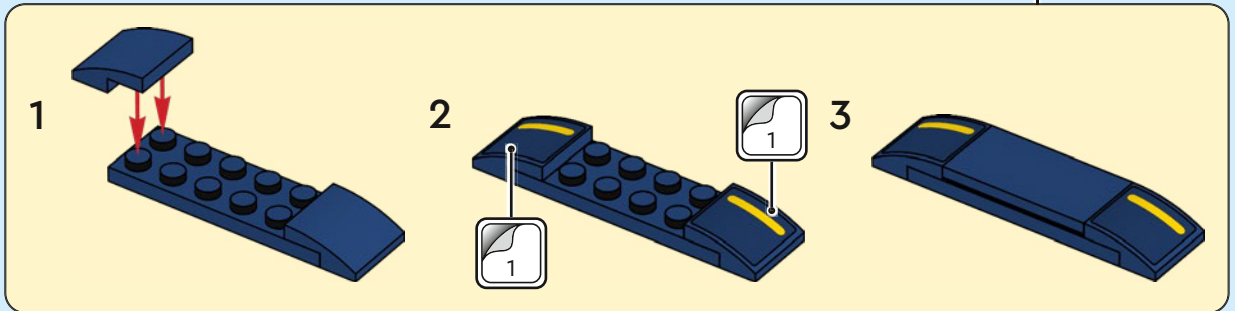
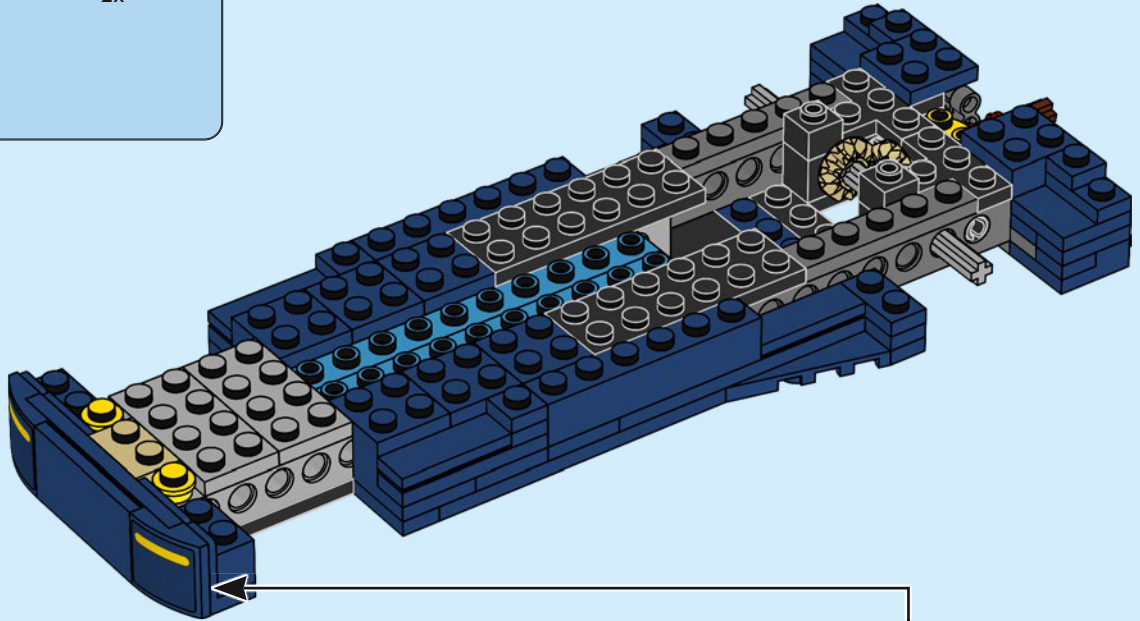


34





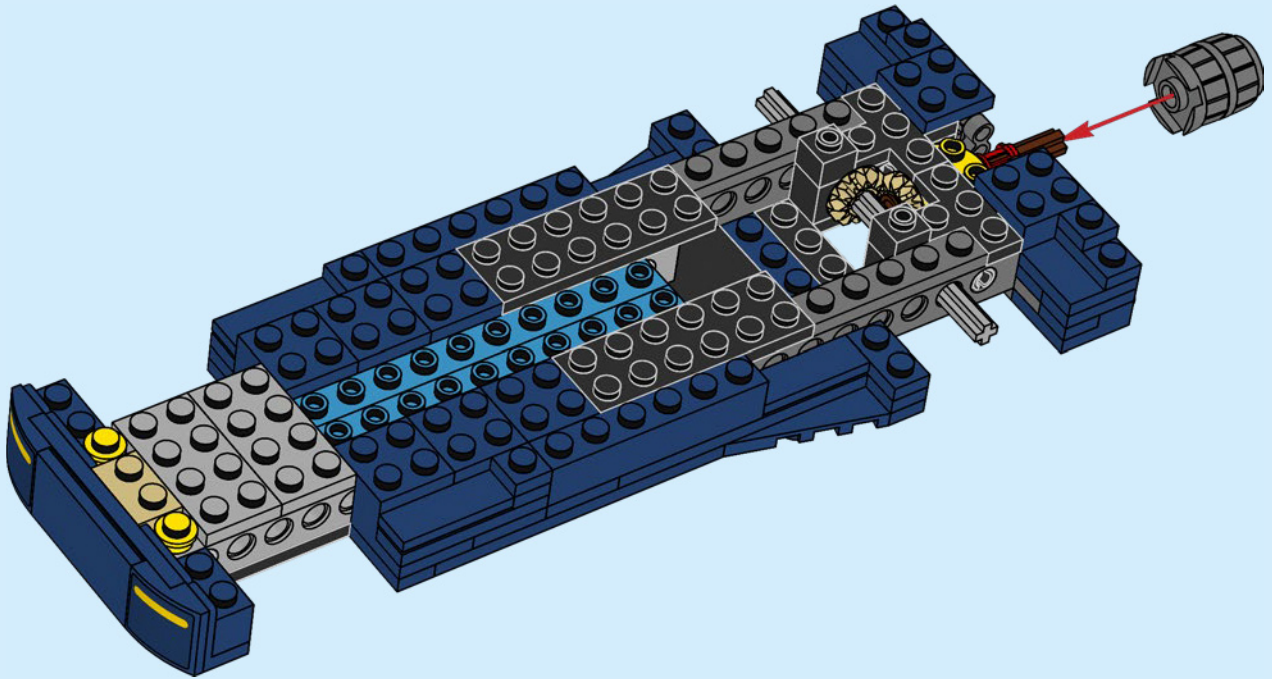
35





1x

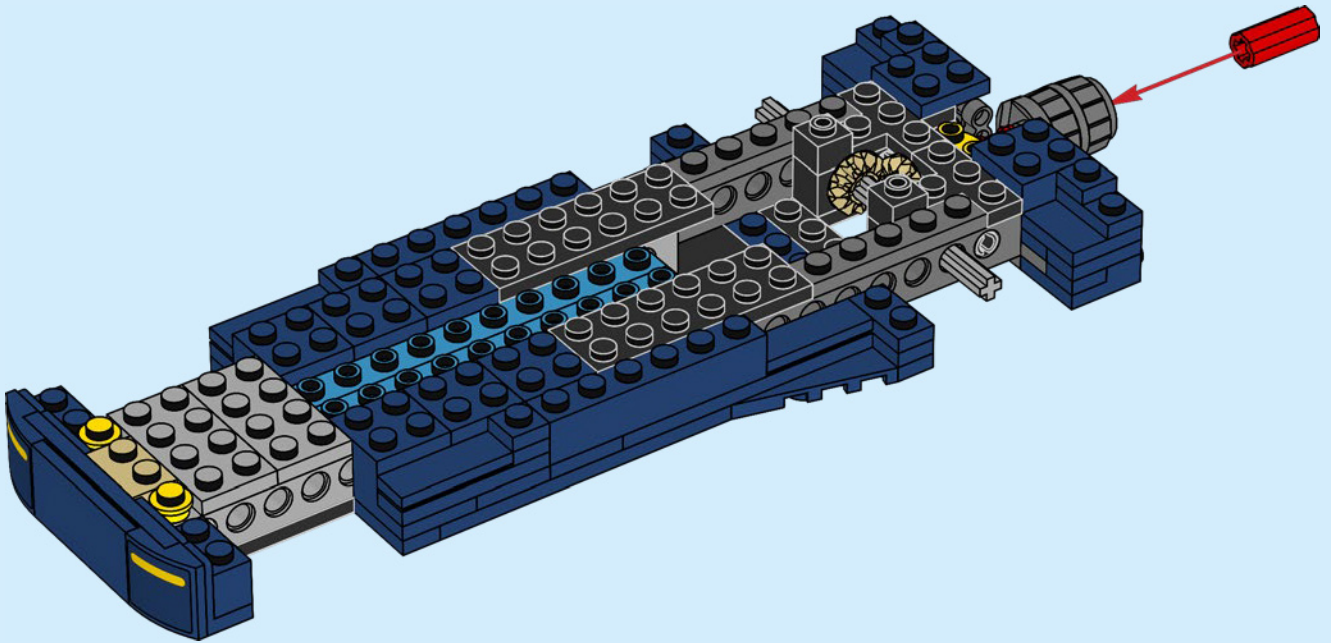
36

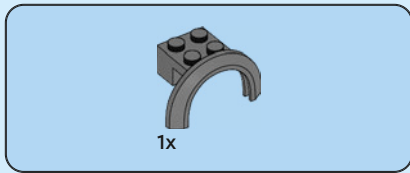




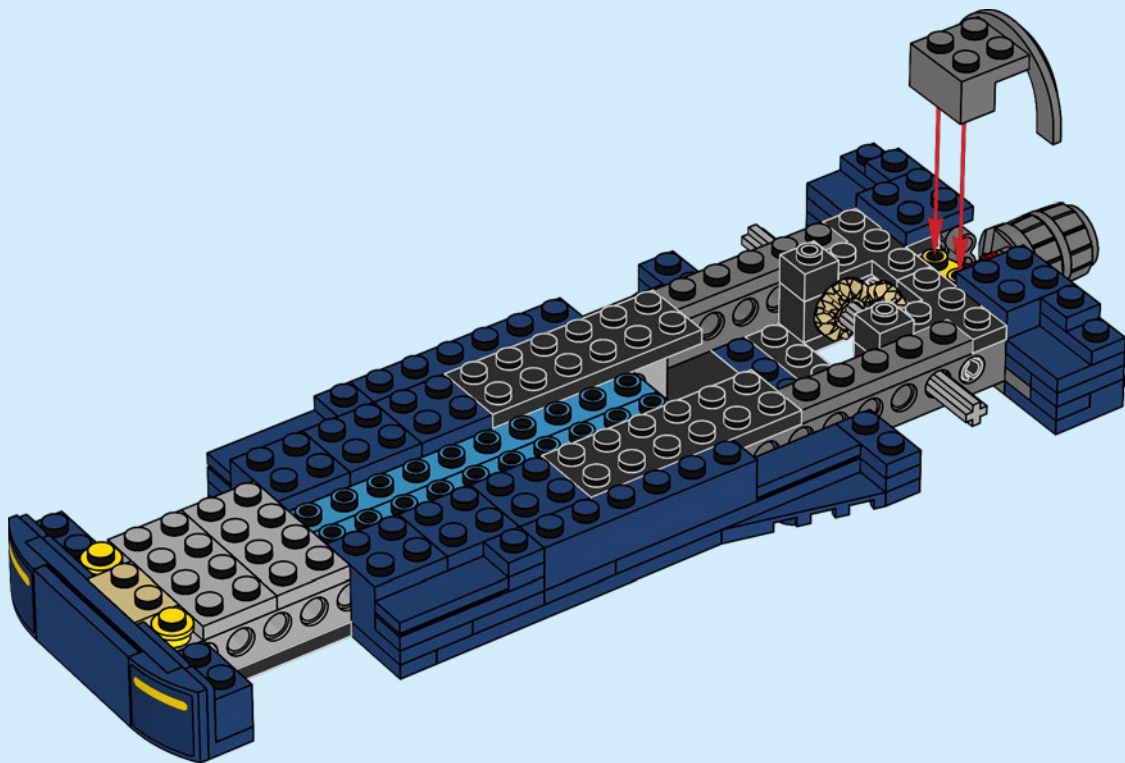
1x

37





38

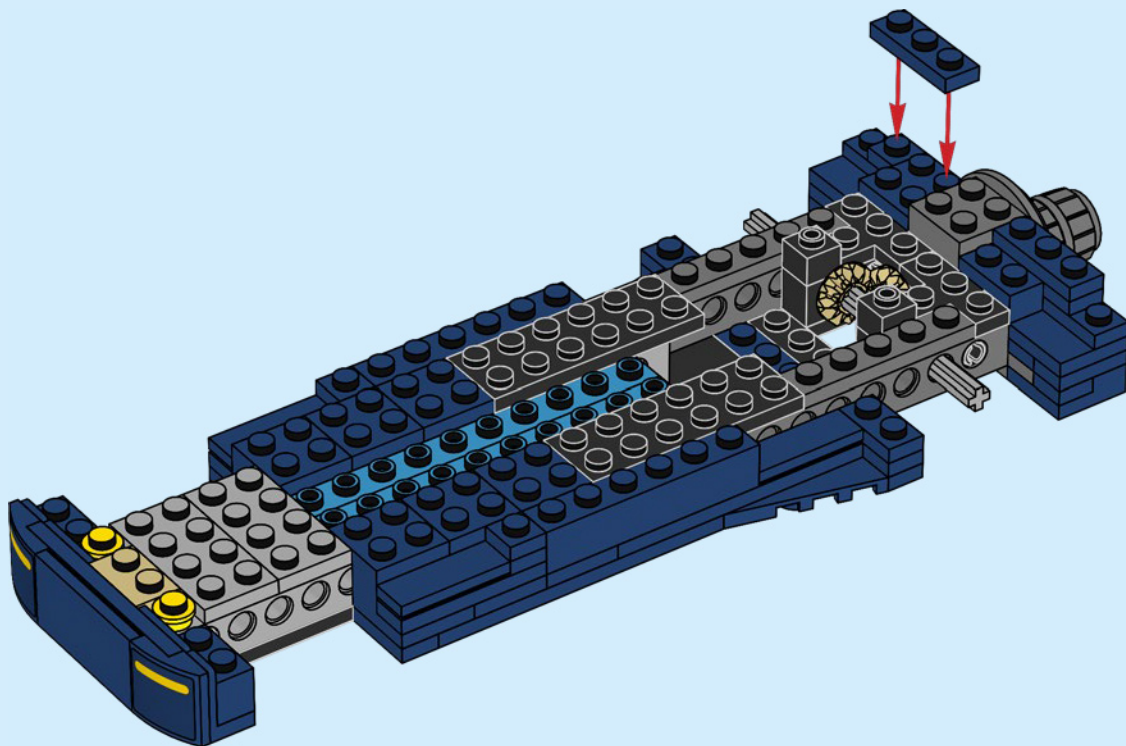






2x

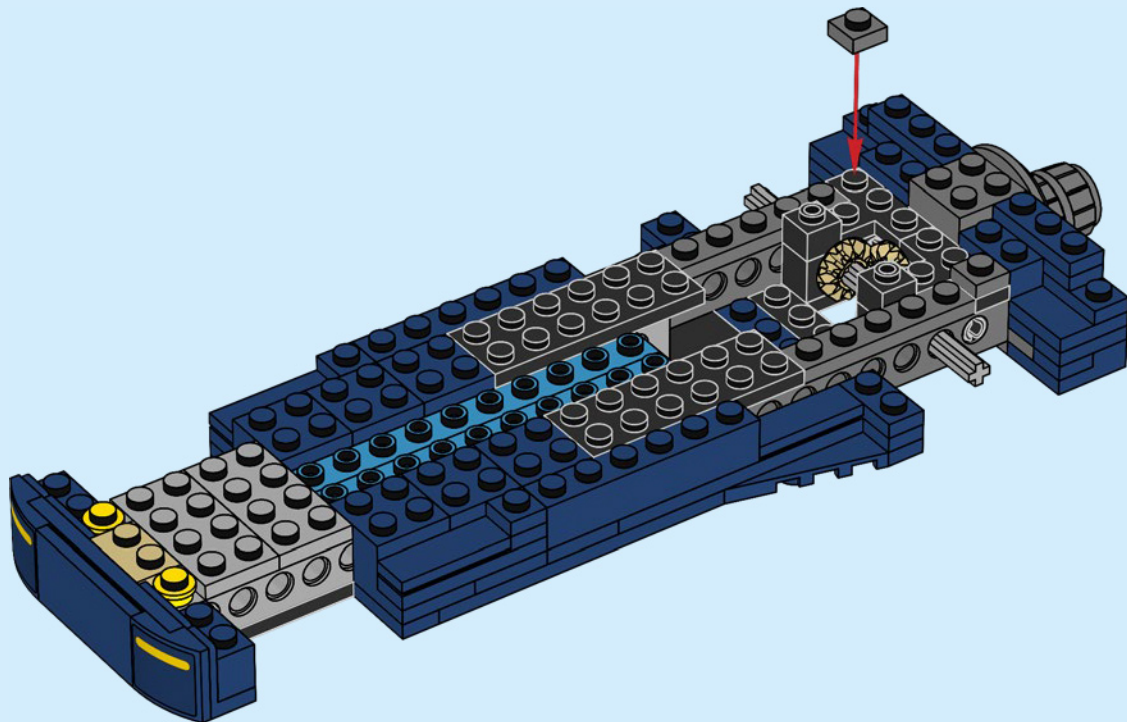
39



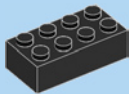


2x

40

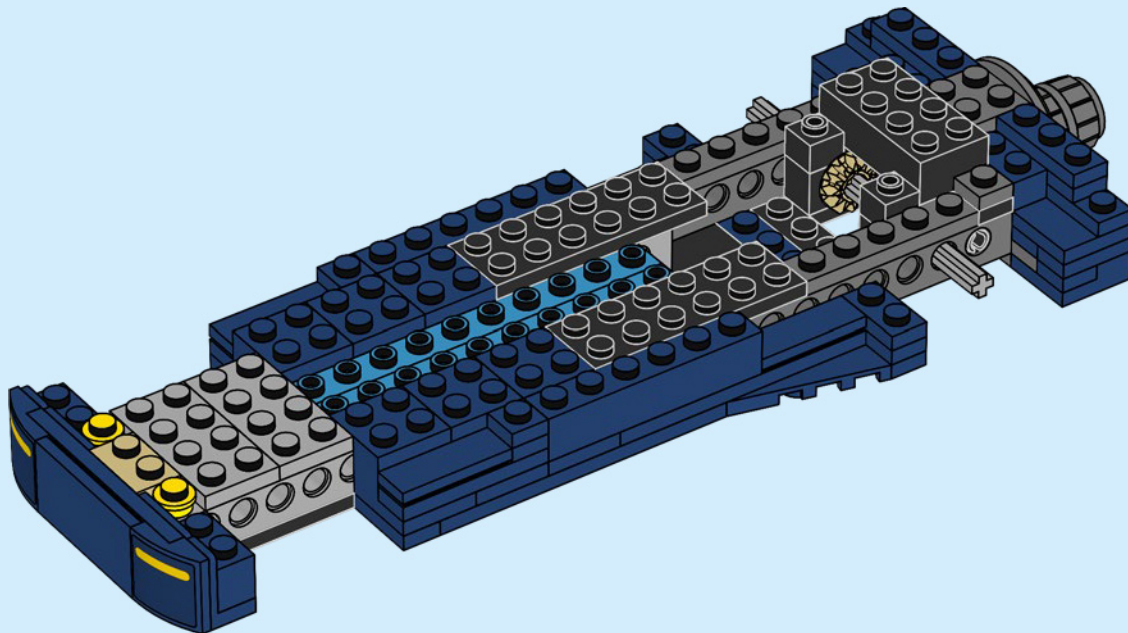


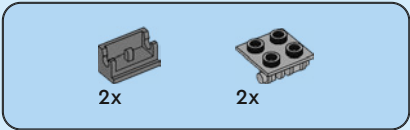




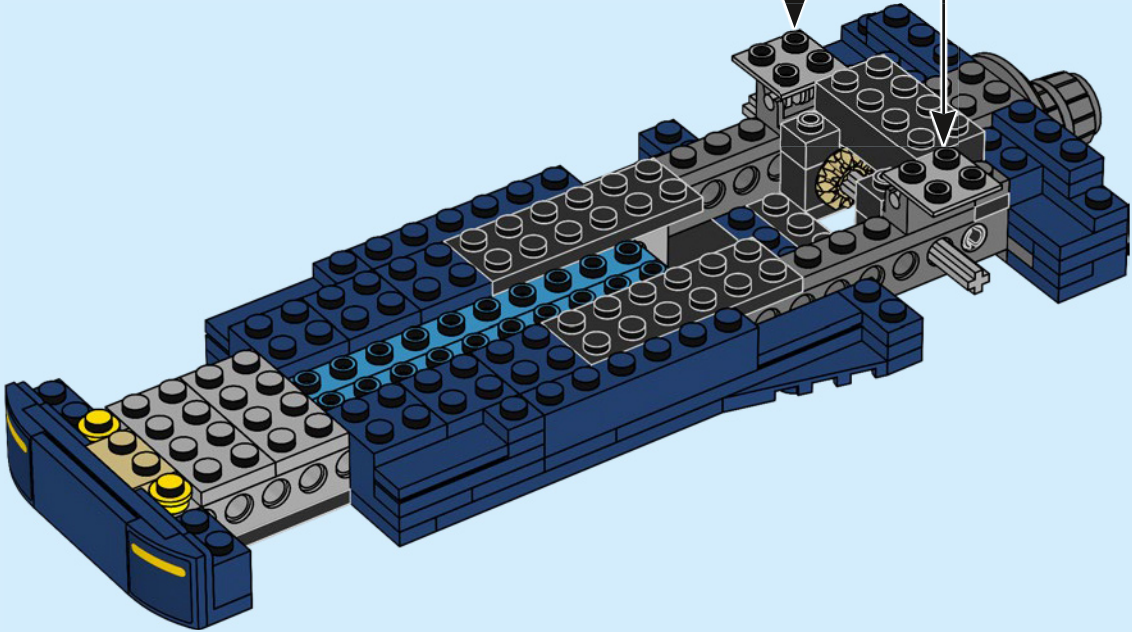
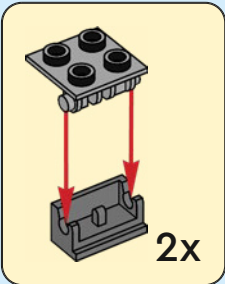
1x

41





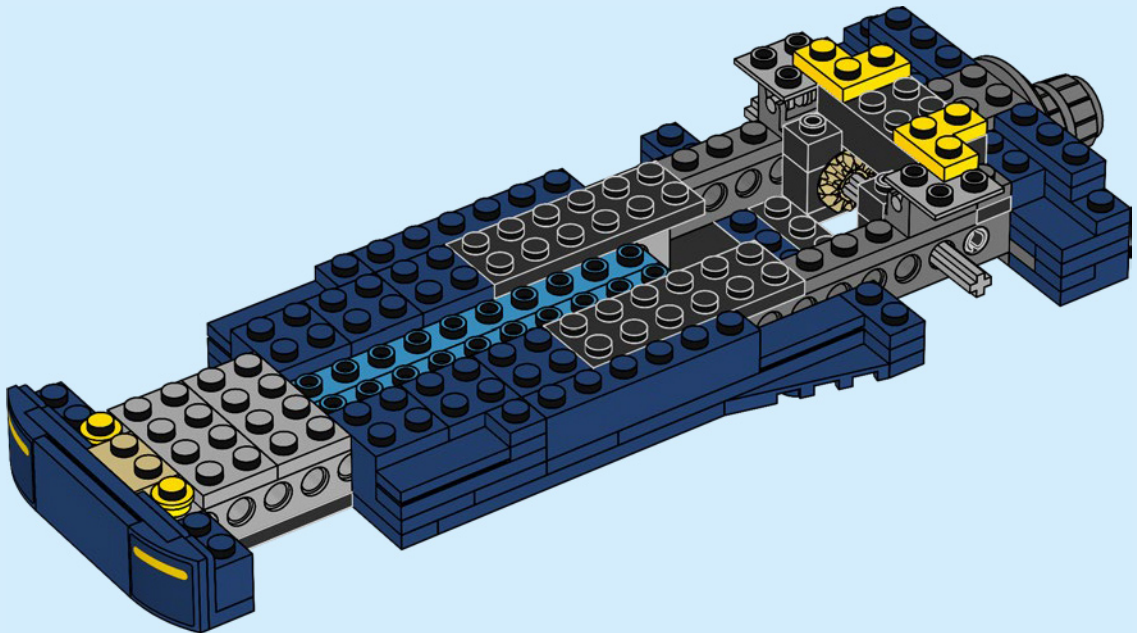
42





2x

43



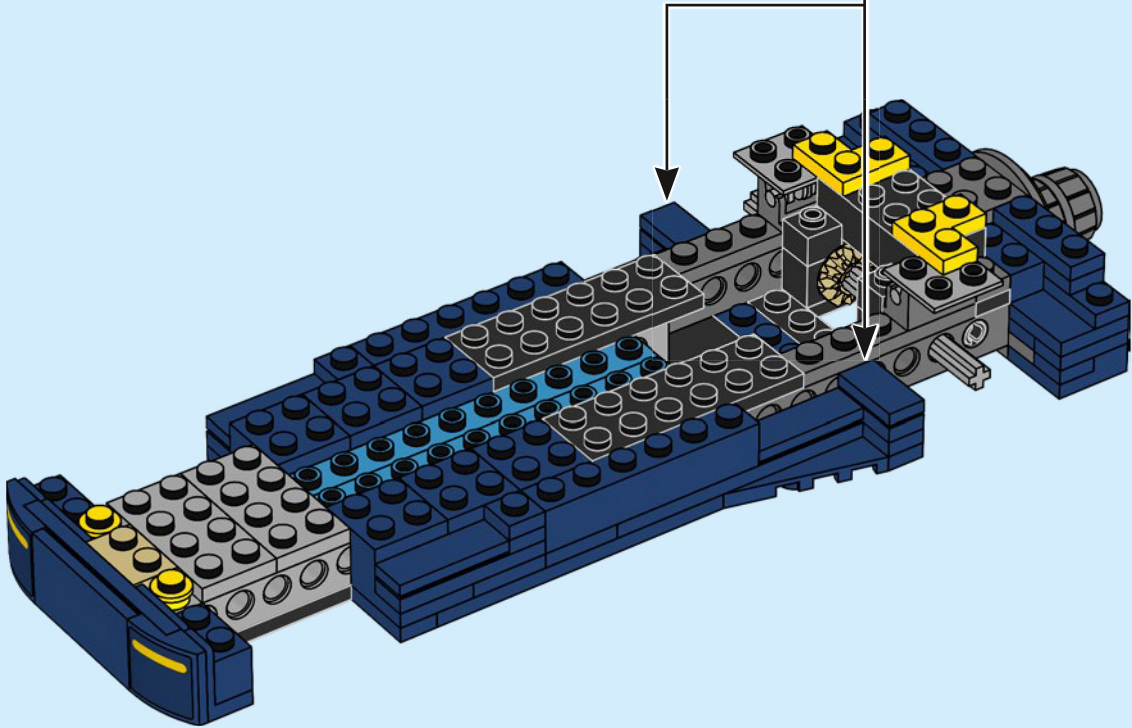


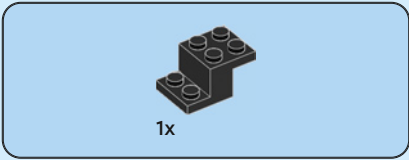
2x

44

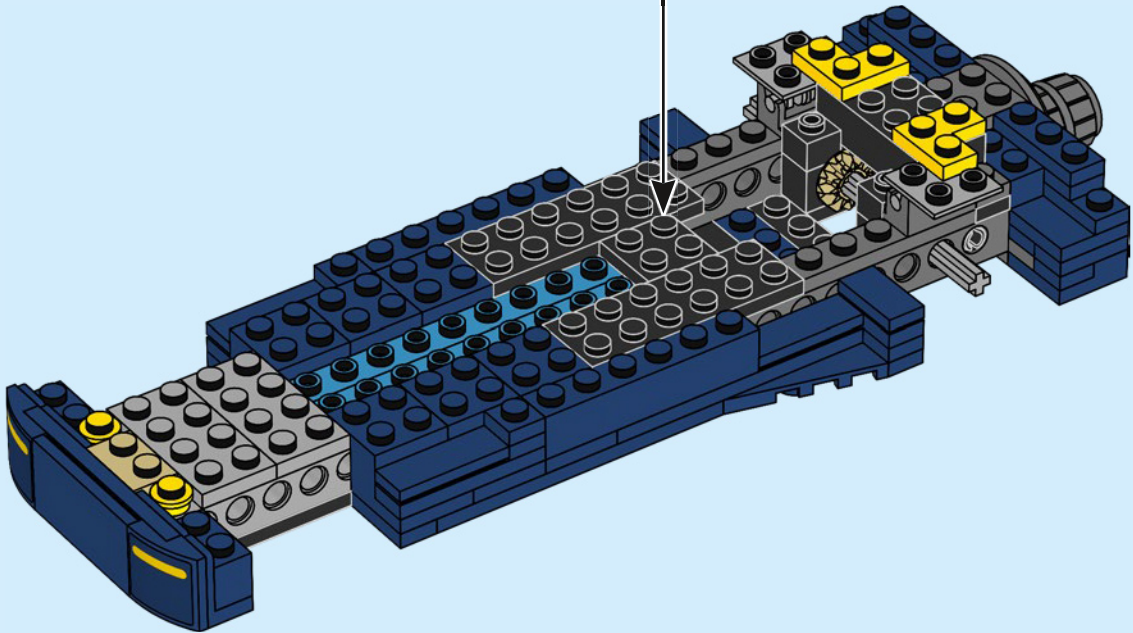
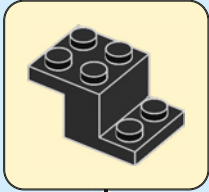


2x





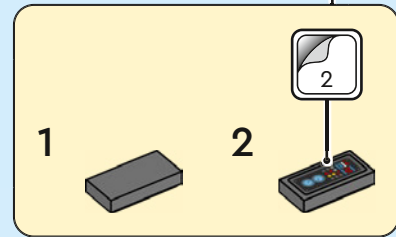
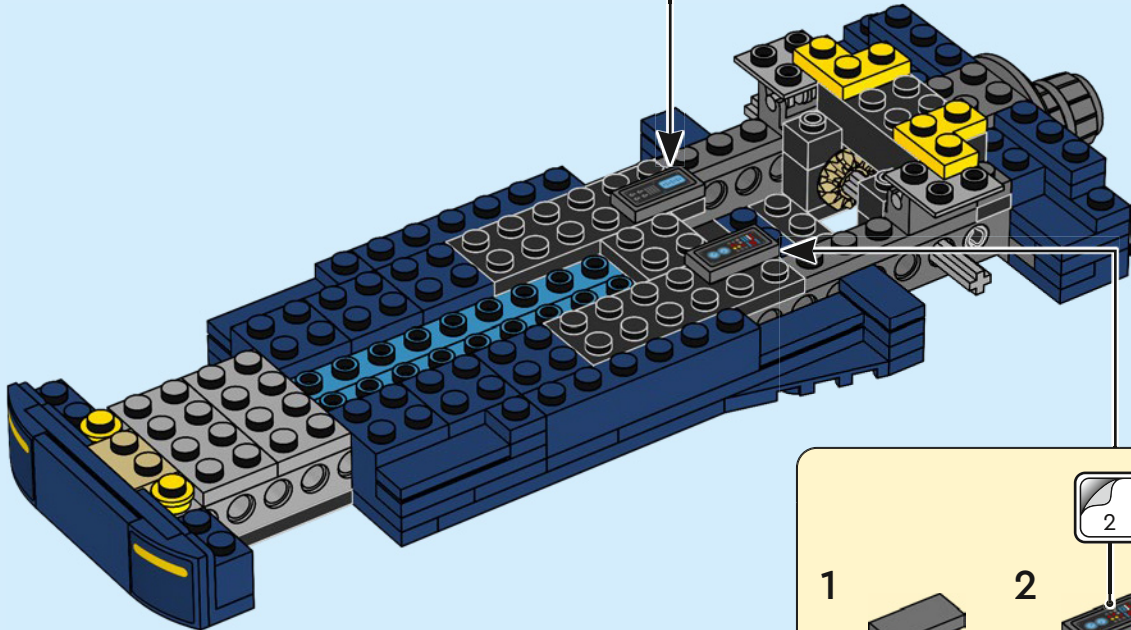
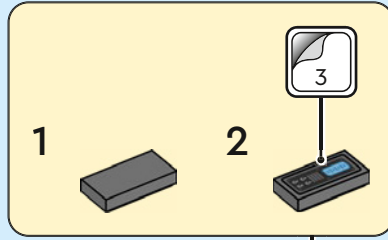
45



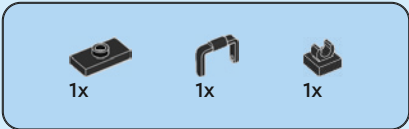


2x

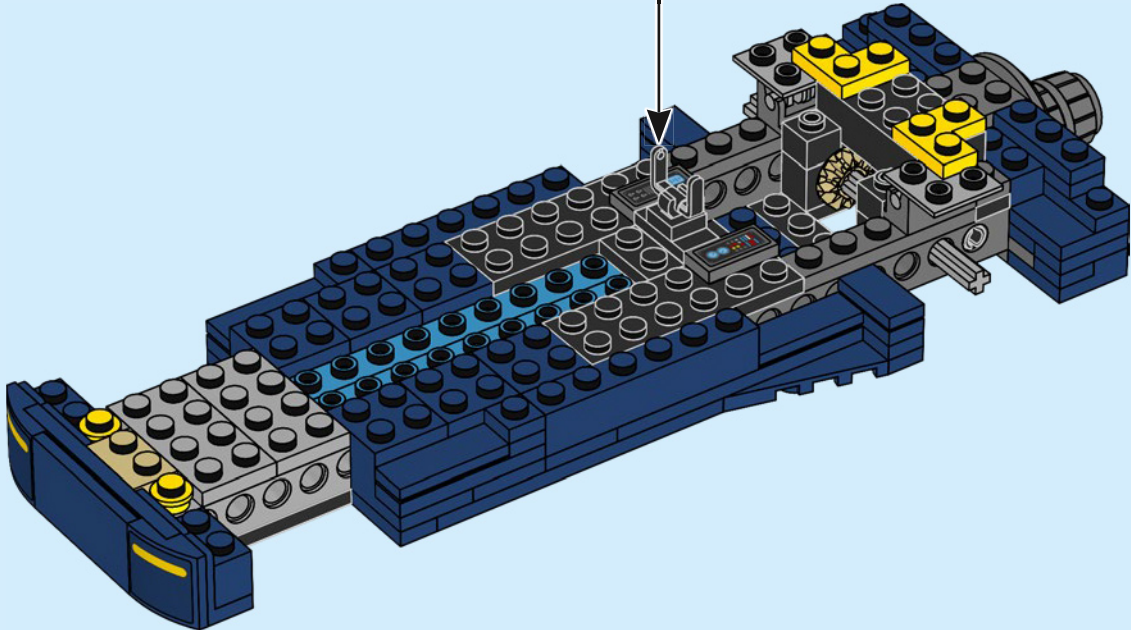
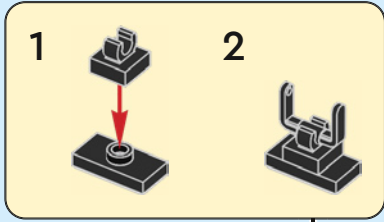
46

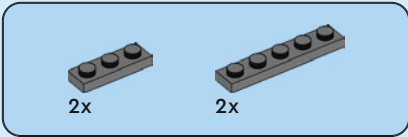




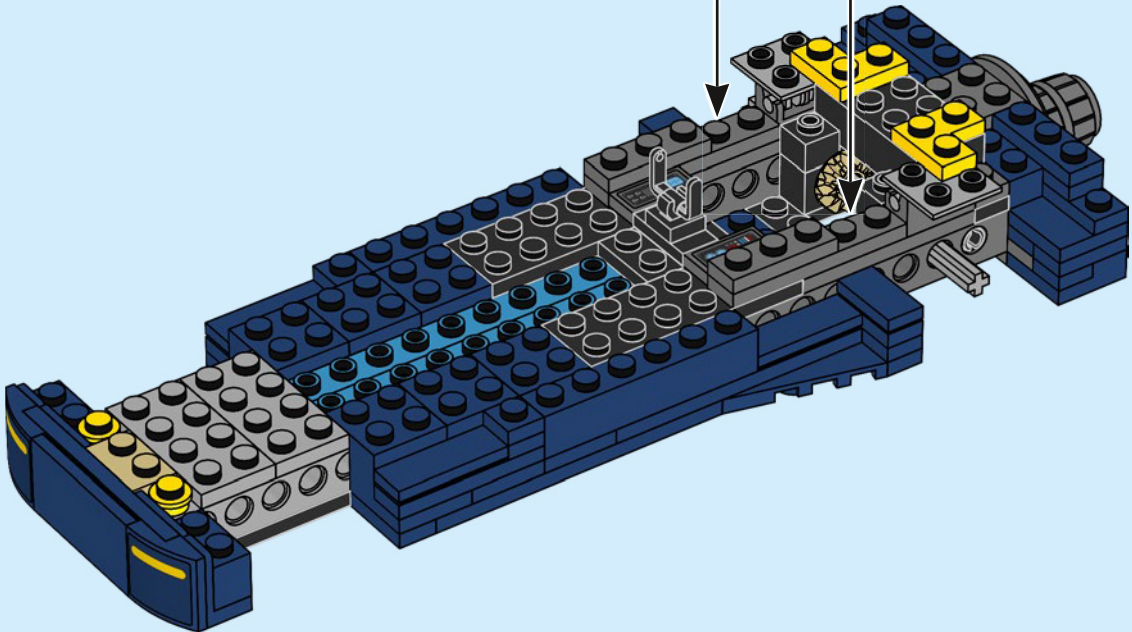
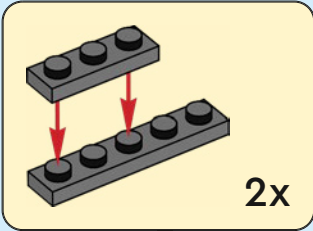


47

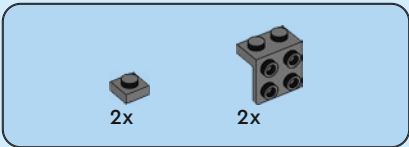




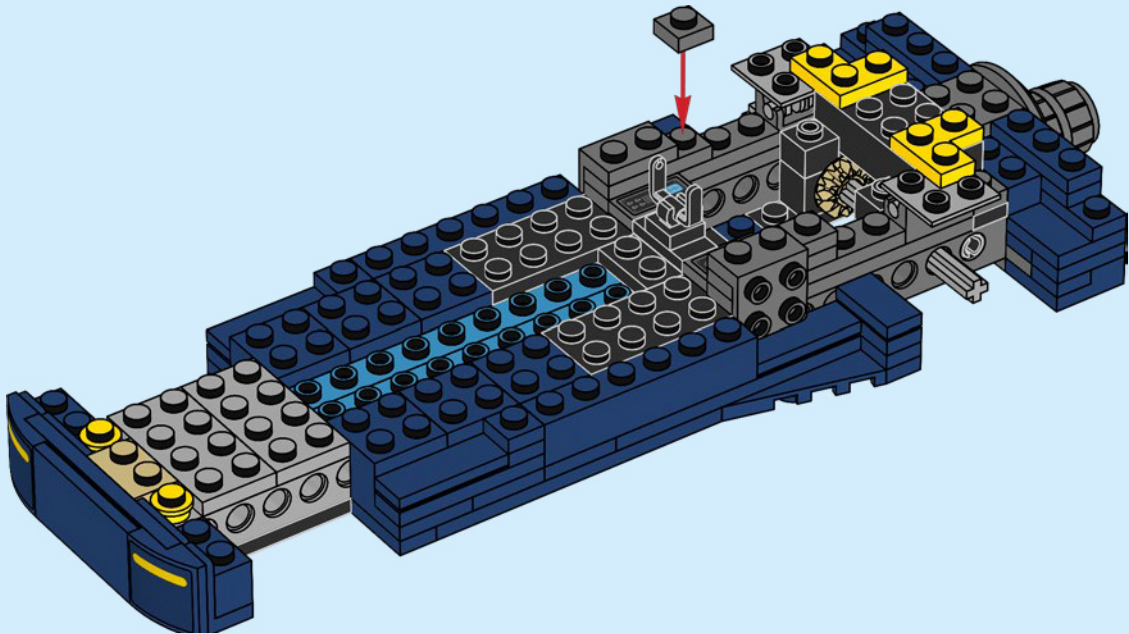
48







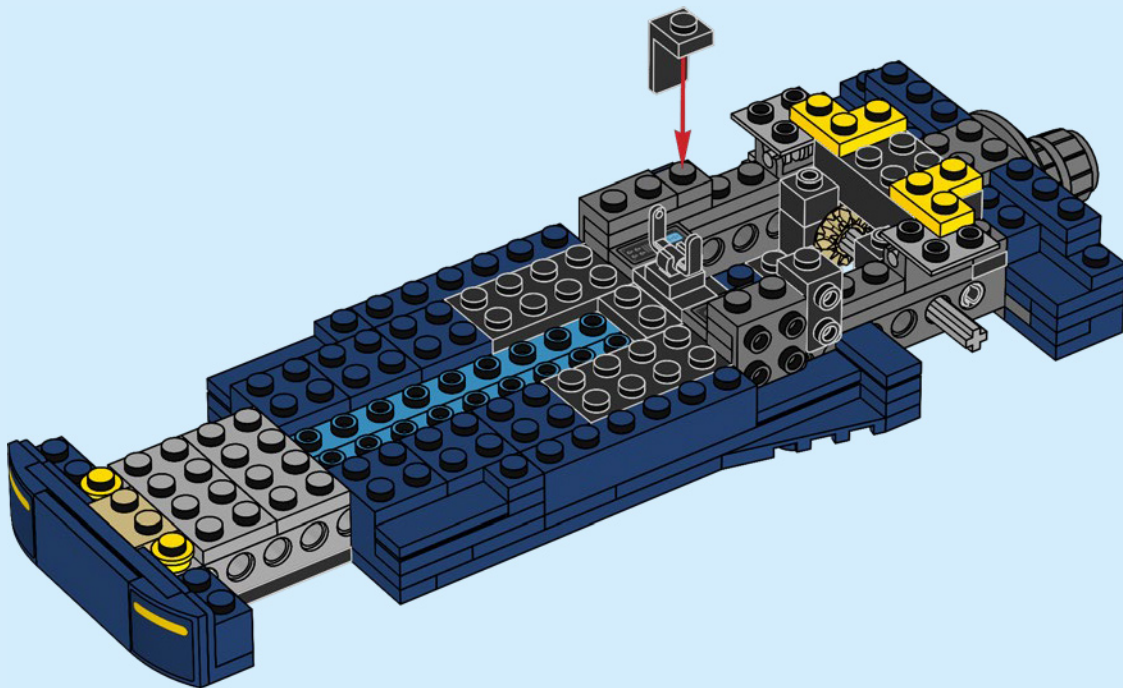
49

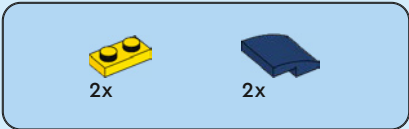




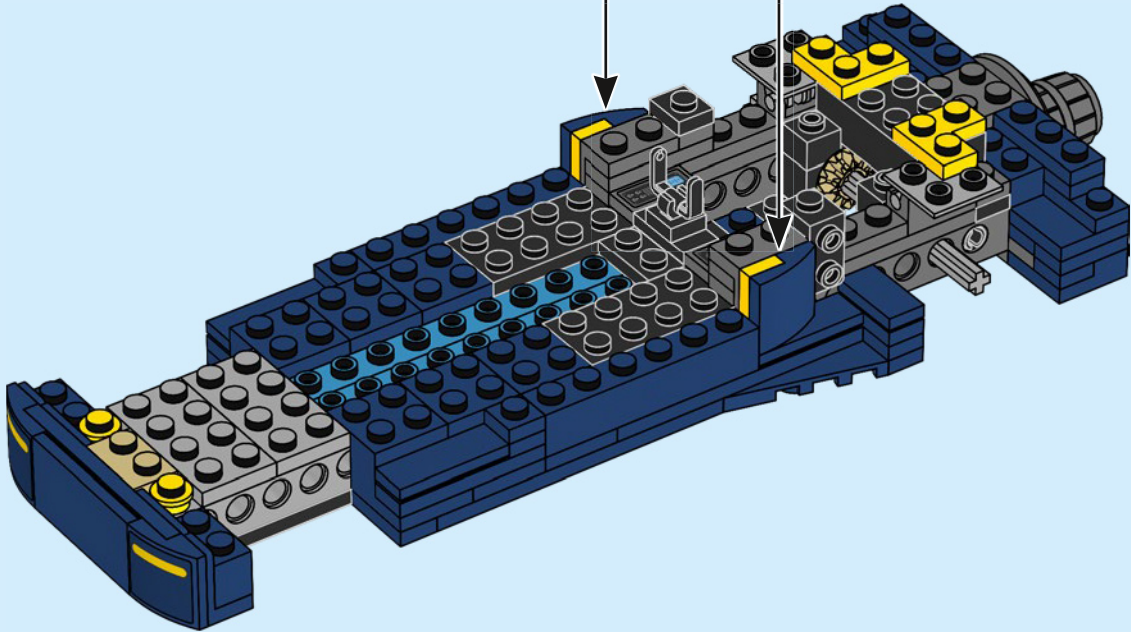
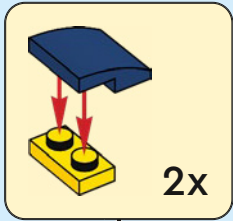
2x

50





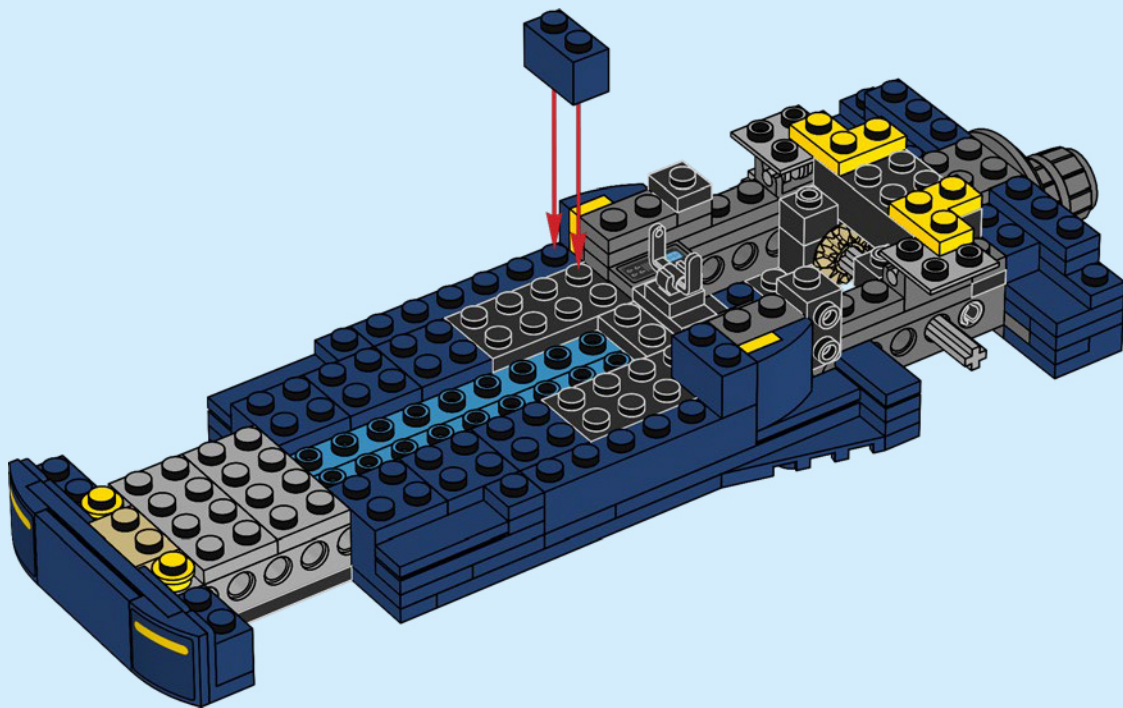
51

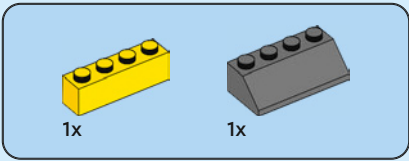




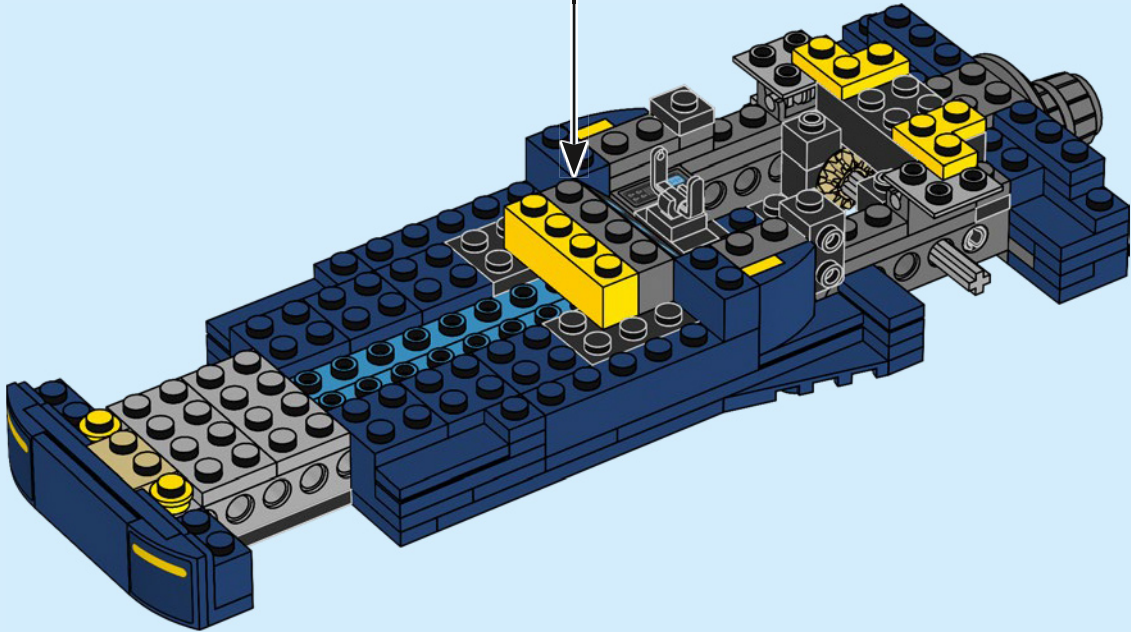
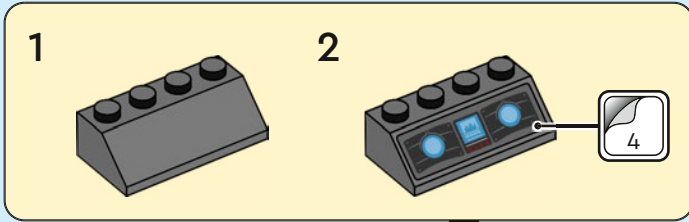
2x

52





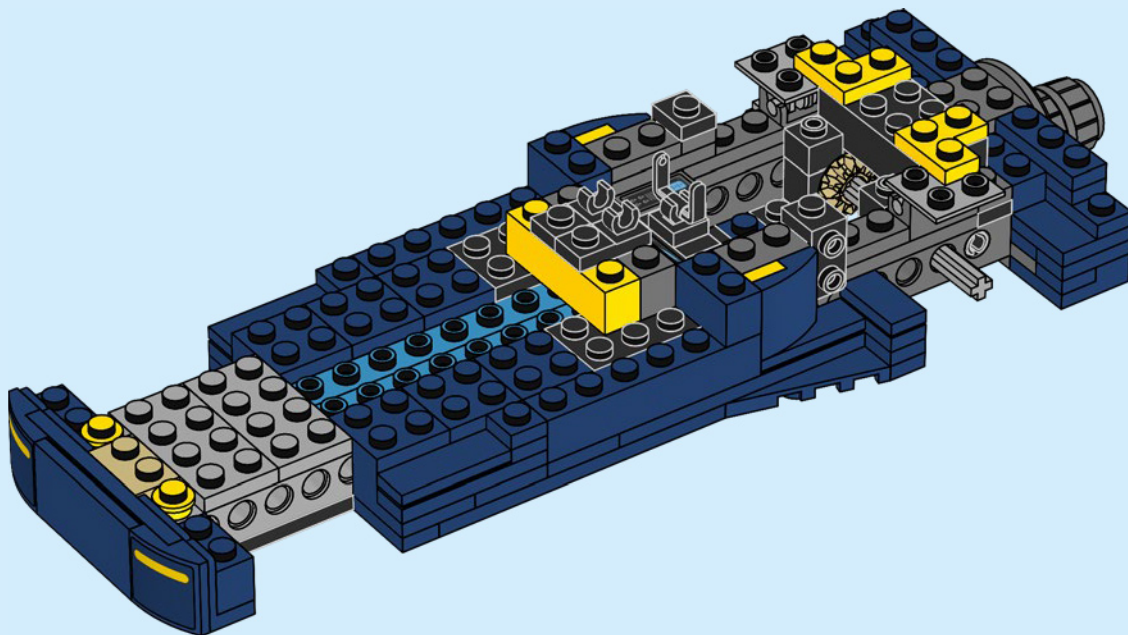
53





2x

54

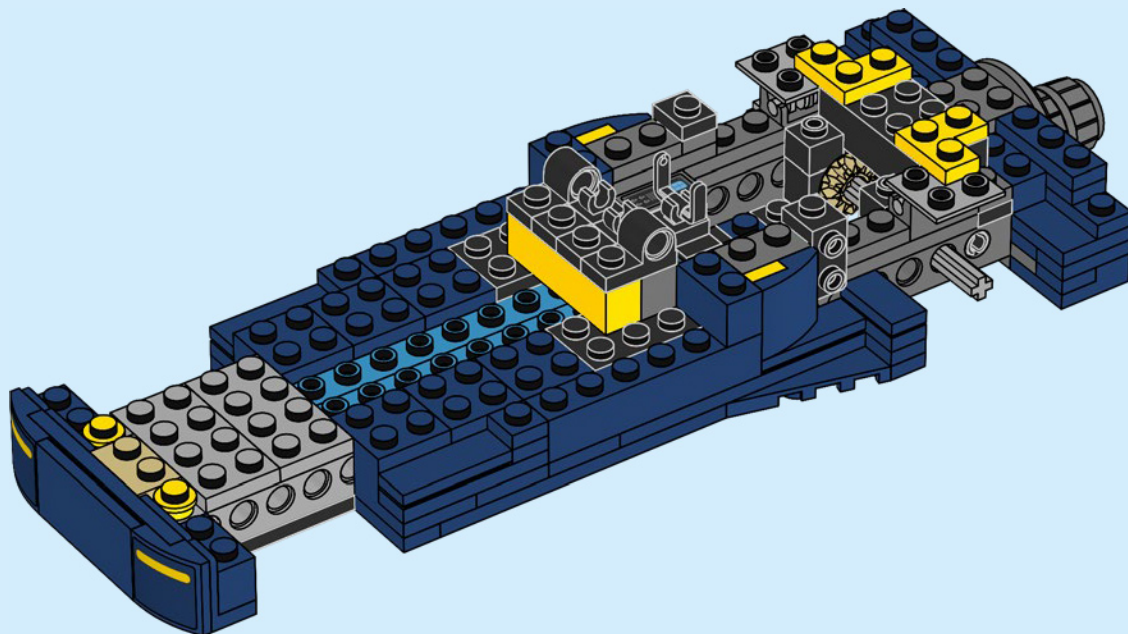


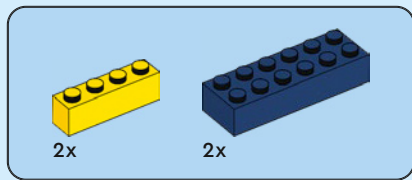




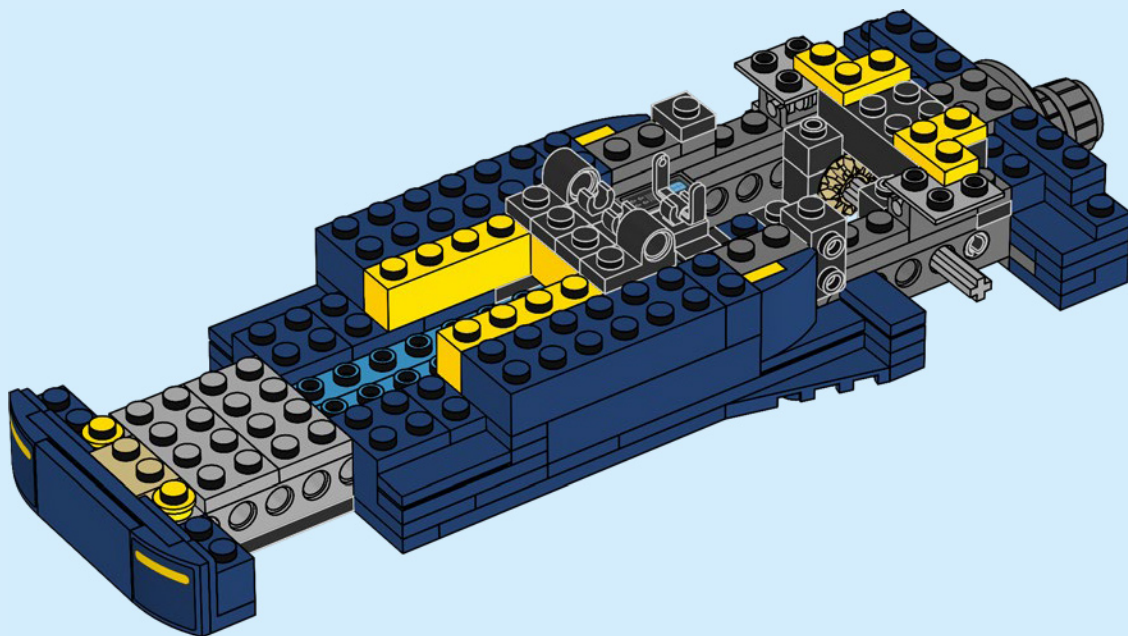
2x

55

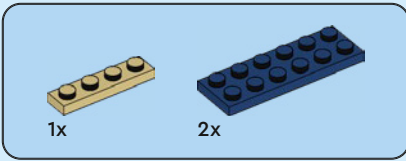




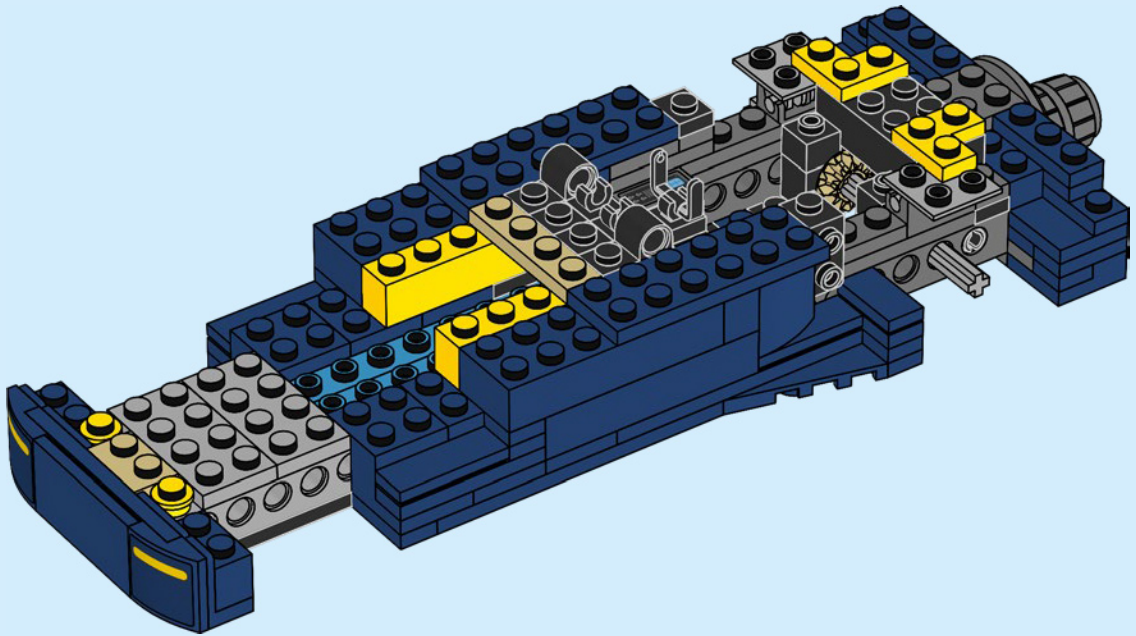
56





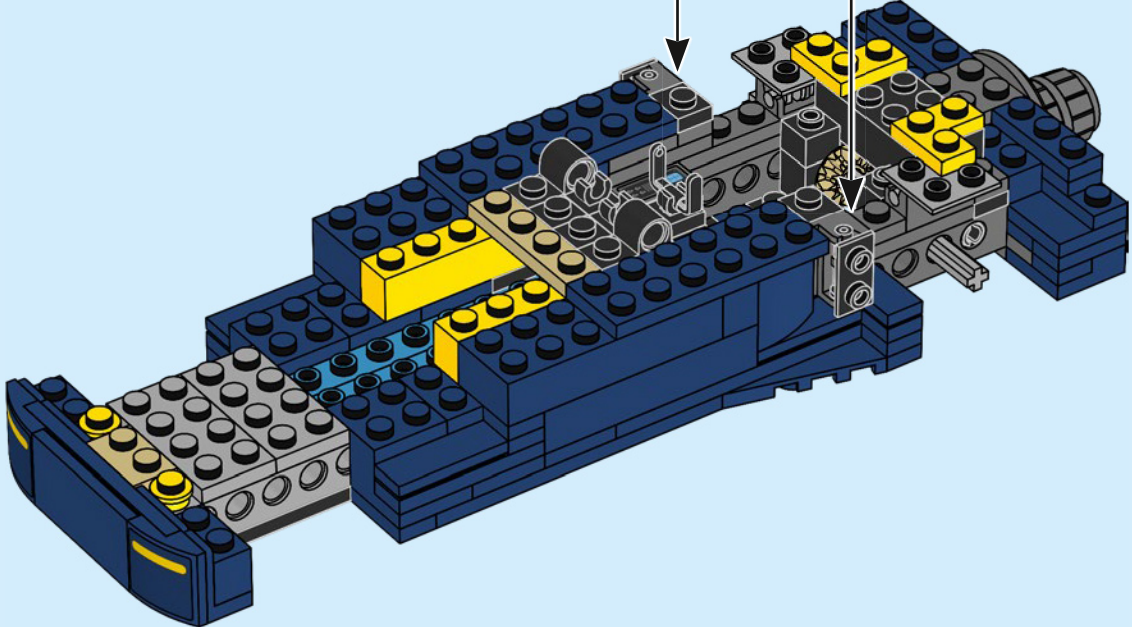
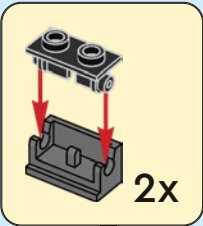


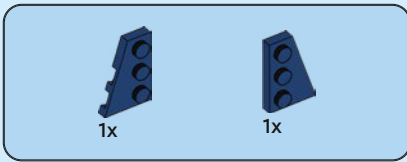
57



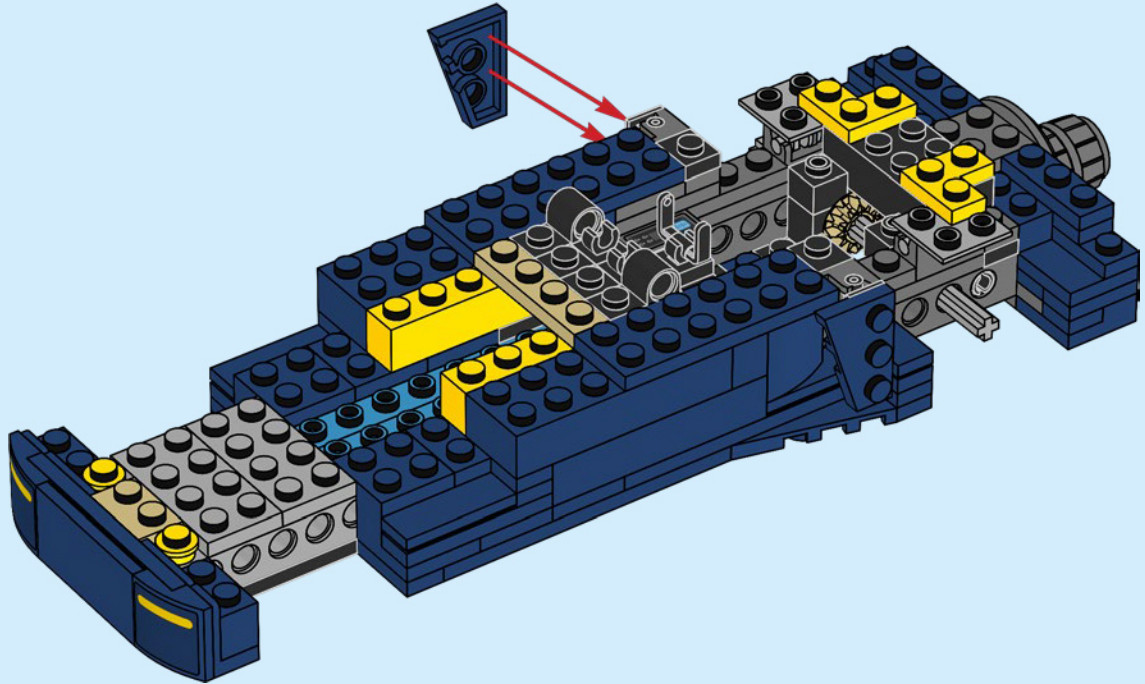


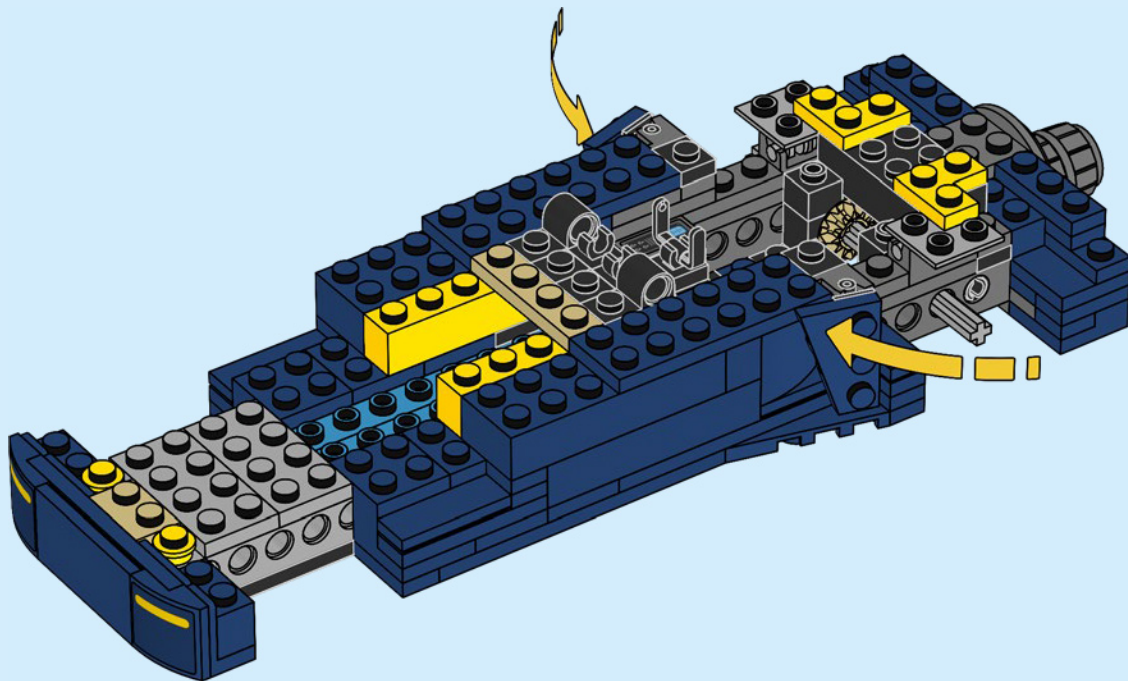
58





59

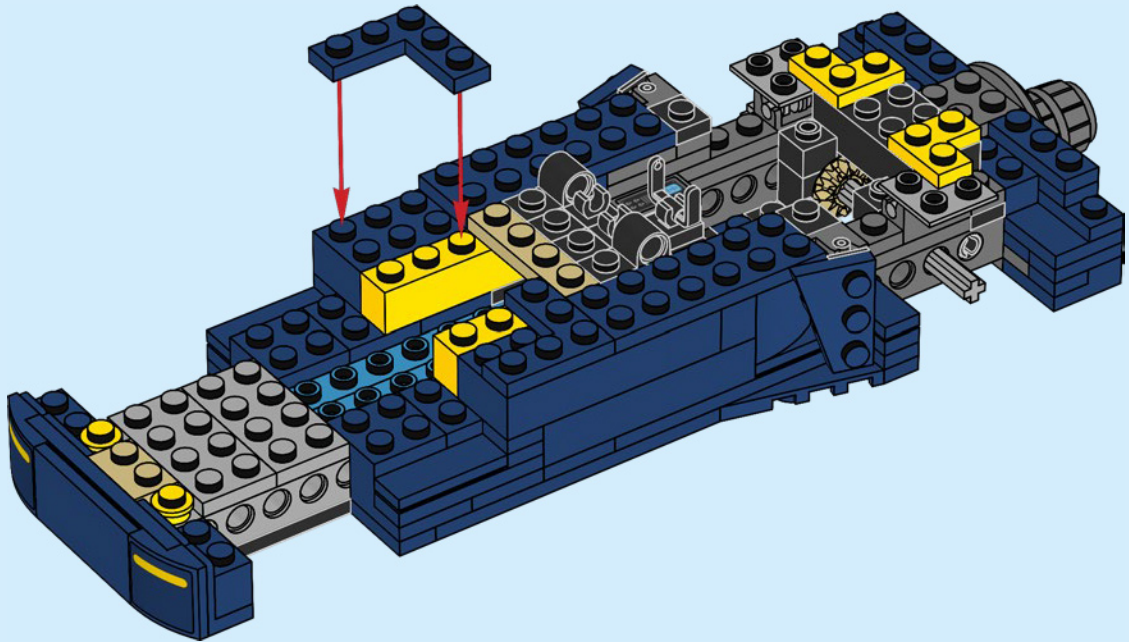




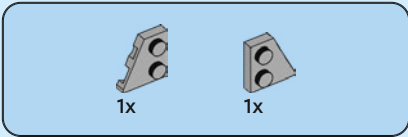


2x

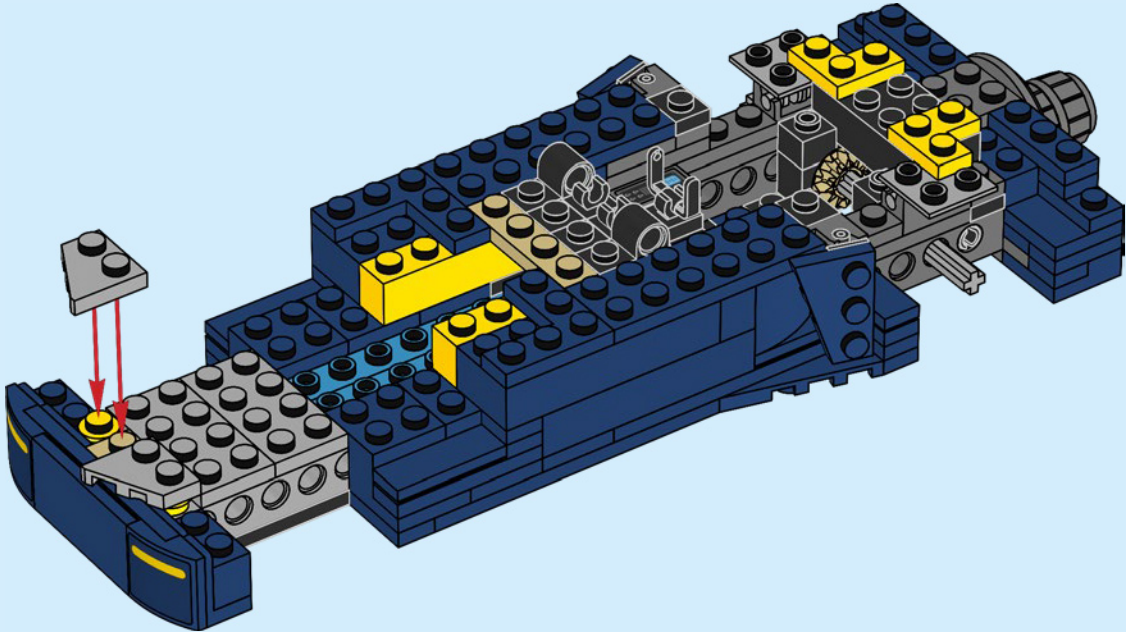
61







62



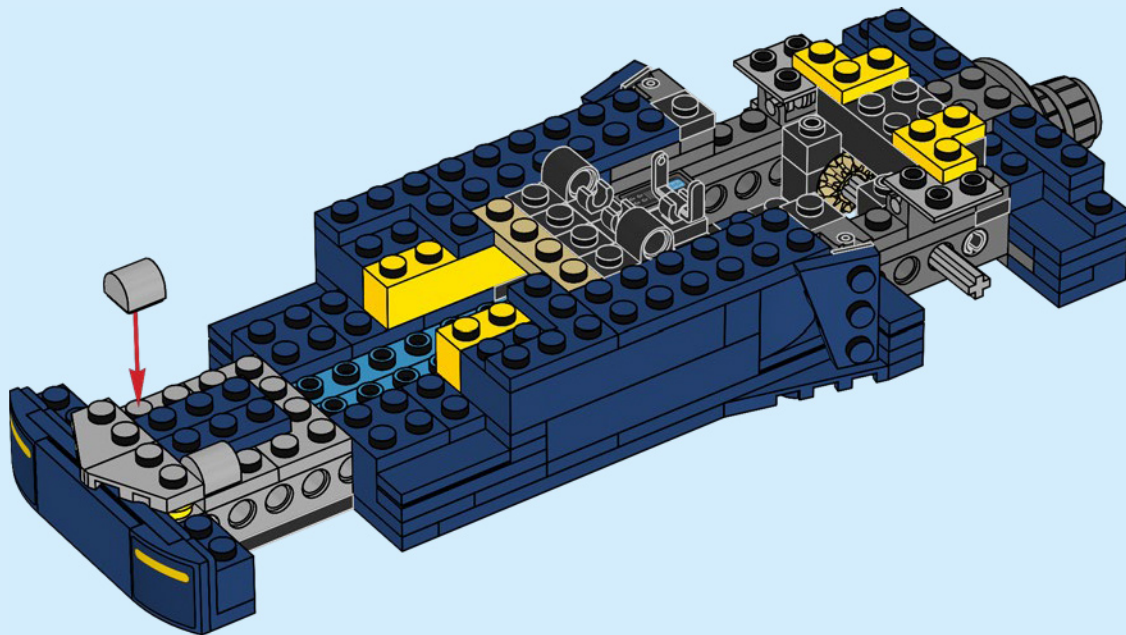


2x



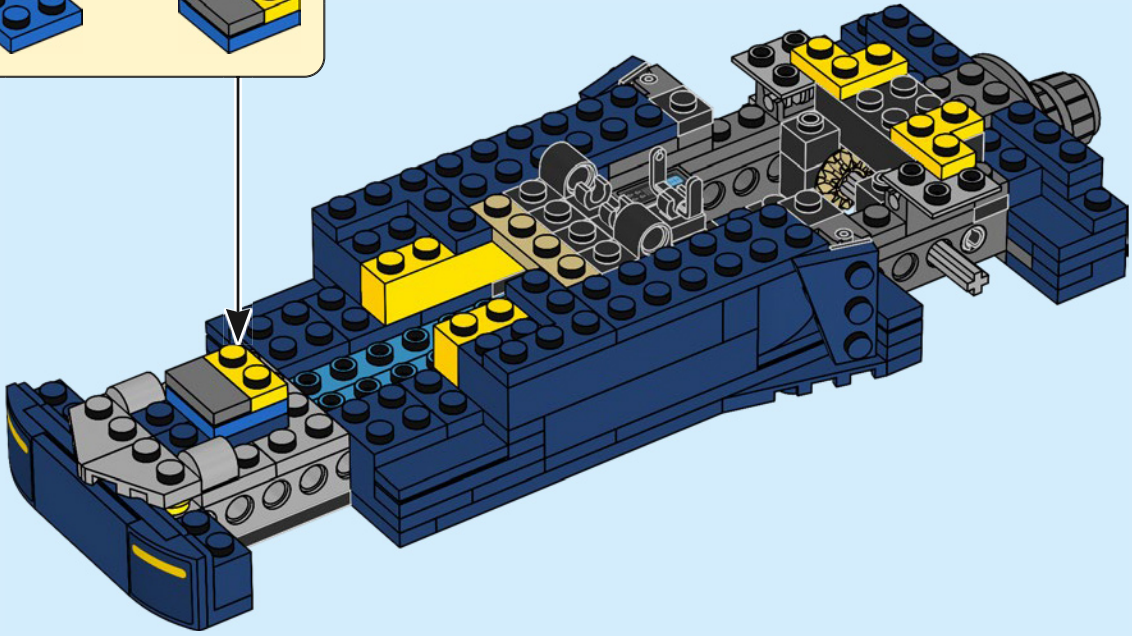
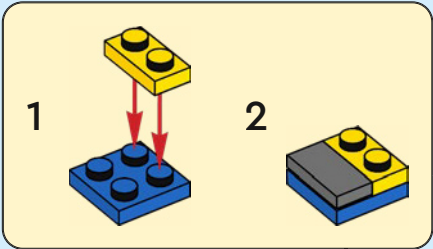
2x

# 63





# 64





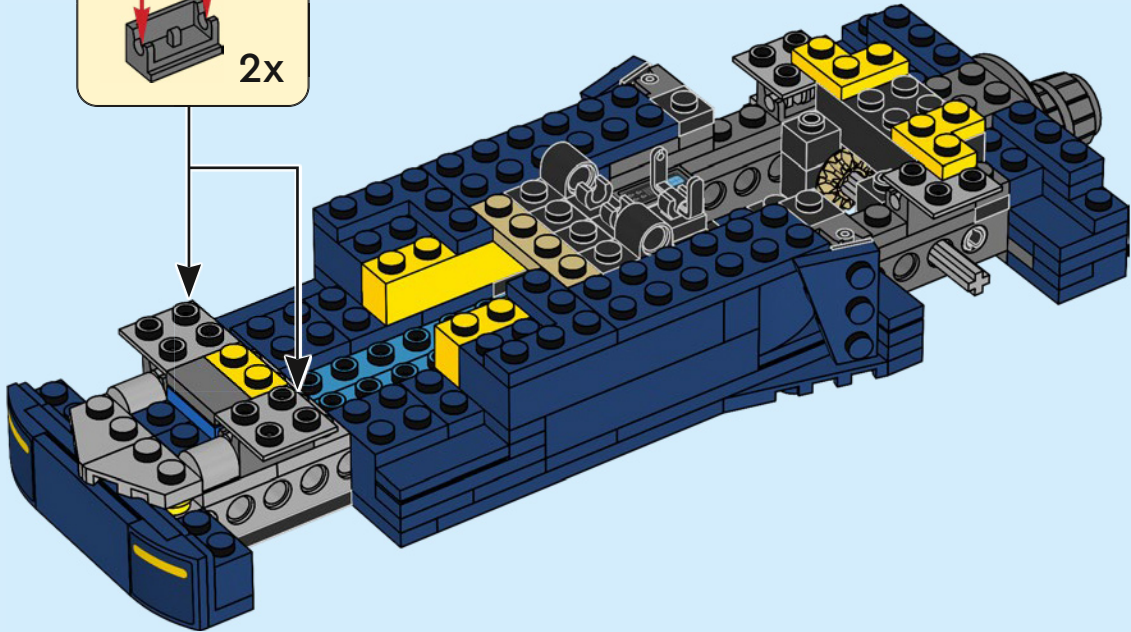
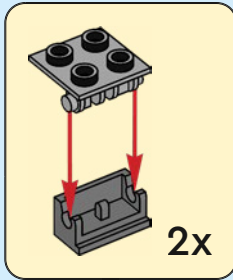


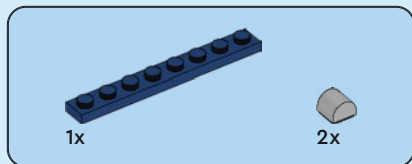
2x



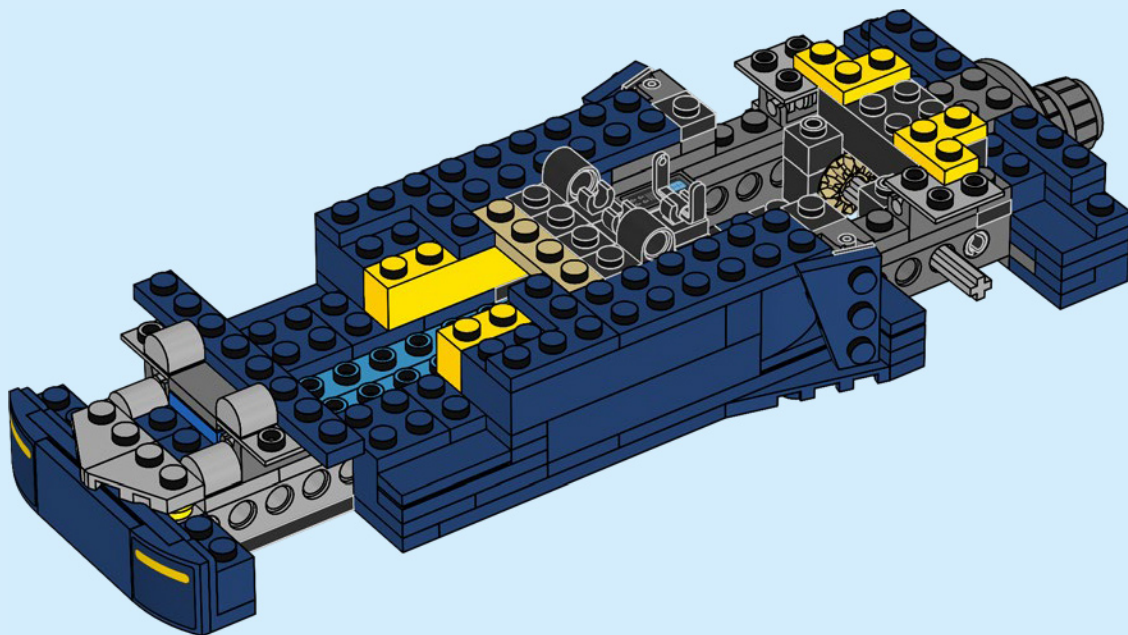
2x

# 65





66



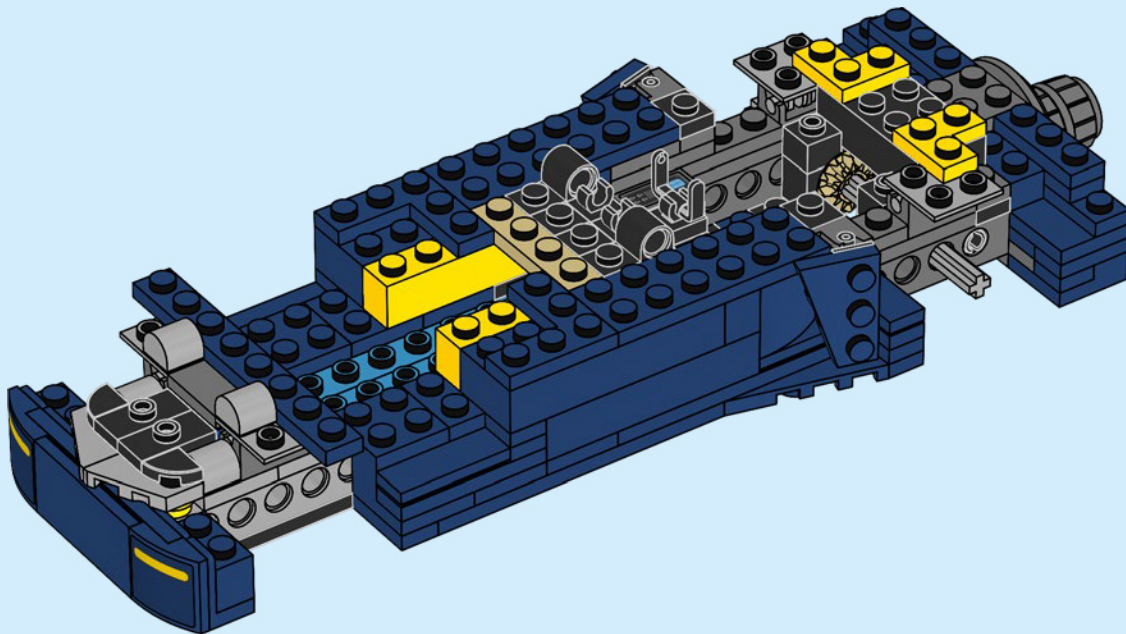


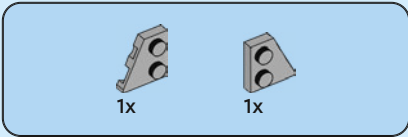
2x



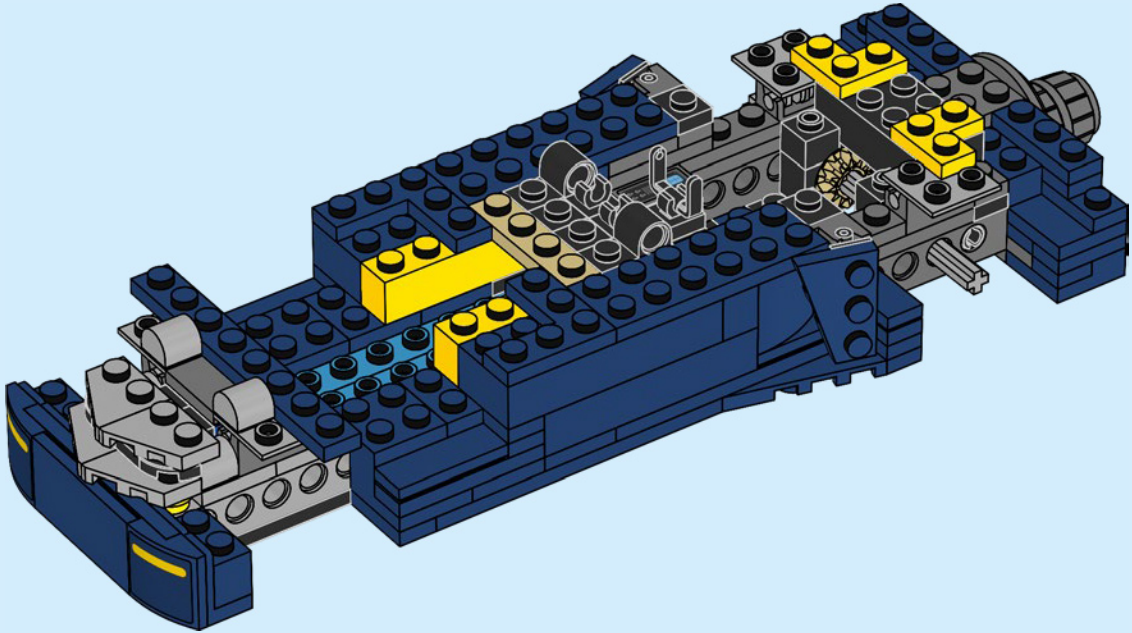
2x

67





68



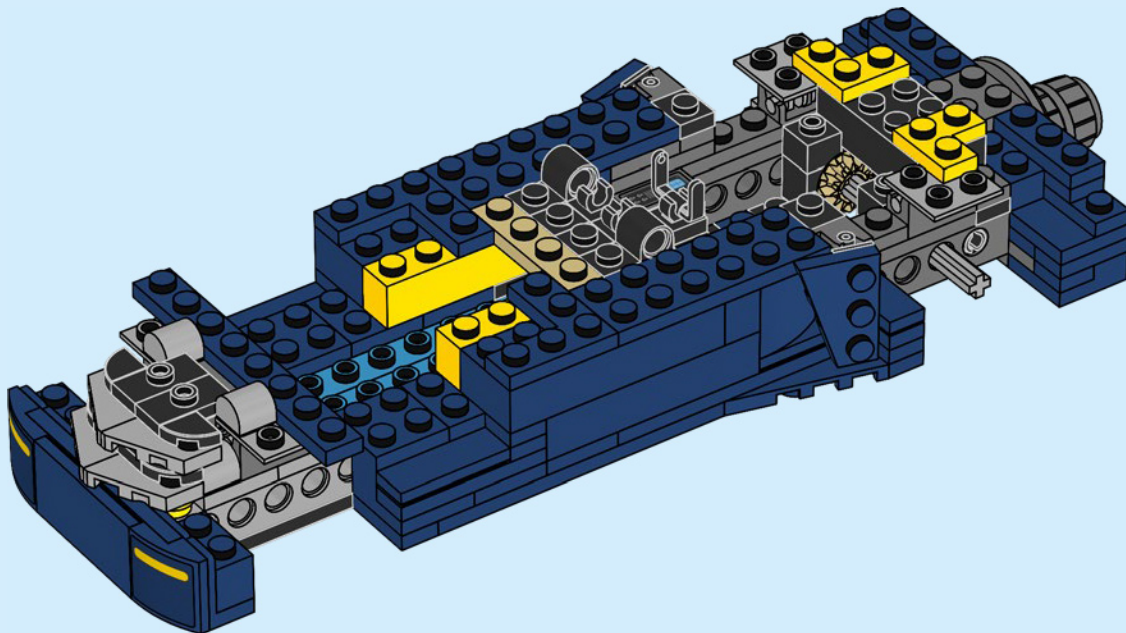


2x



2x

69





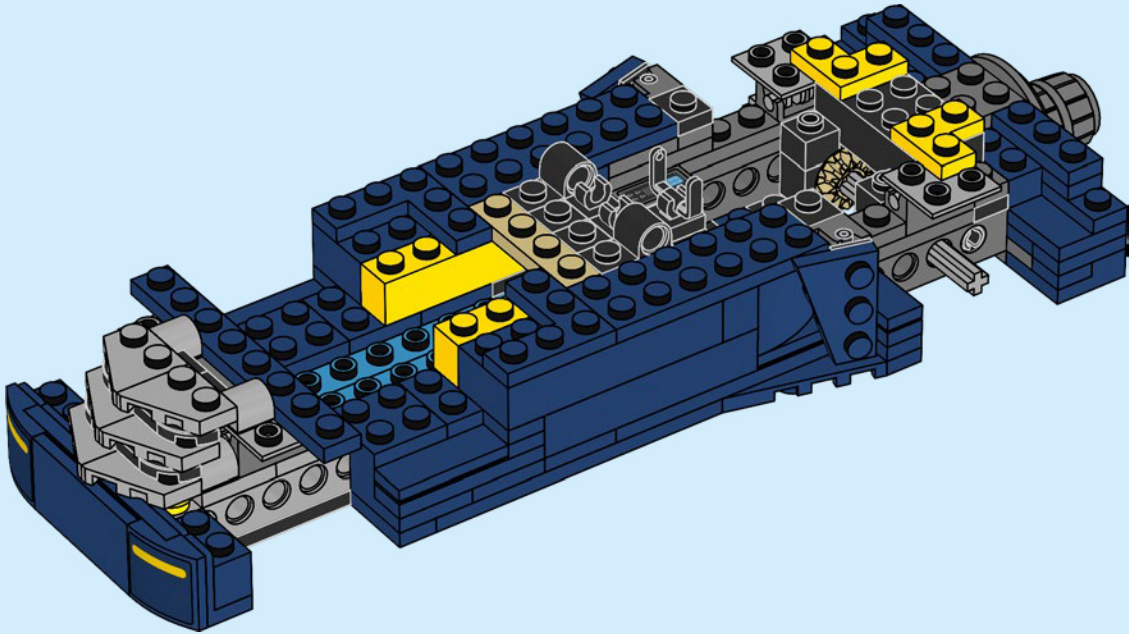


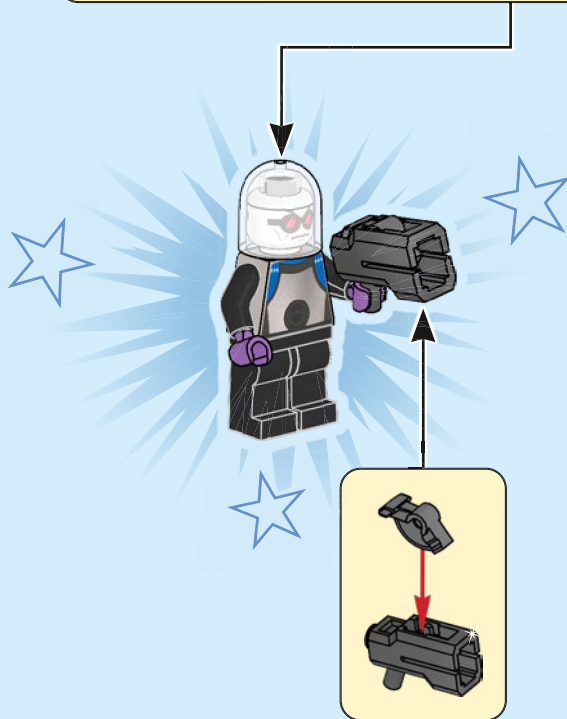
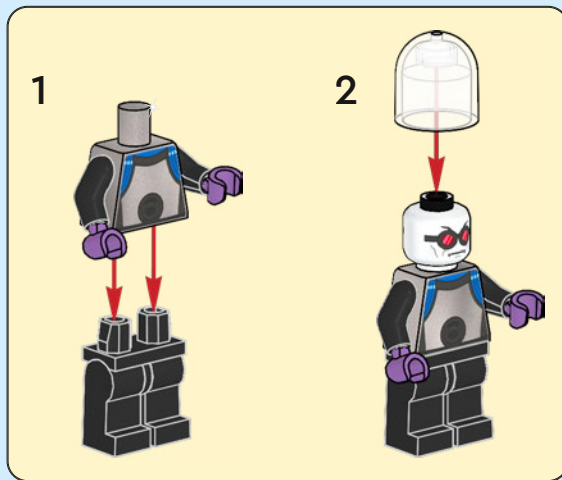
1x



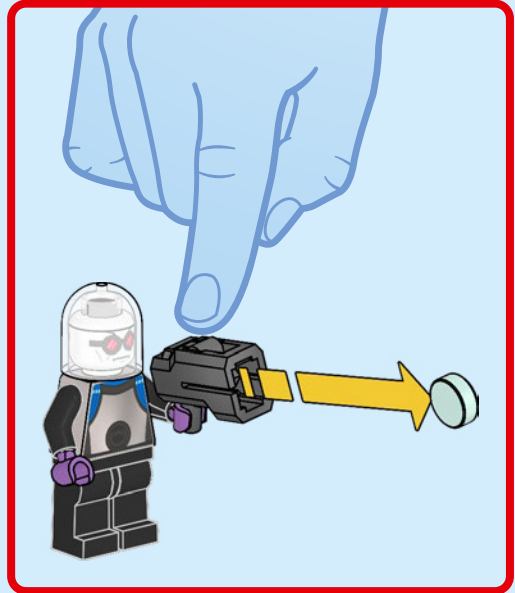
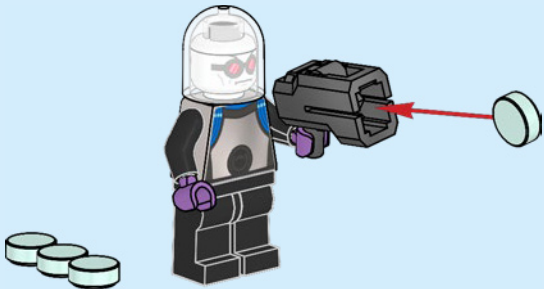
1x

70









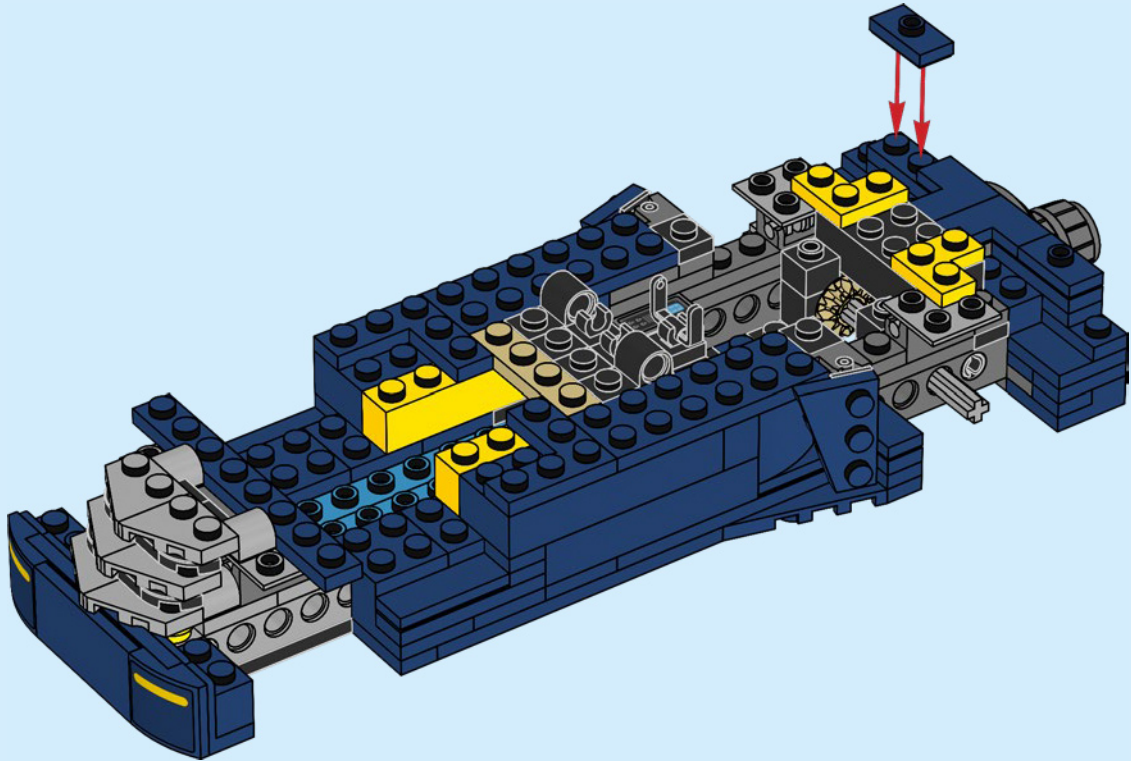


2x



2x

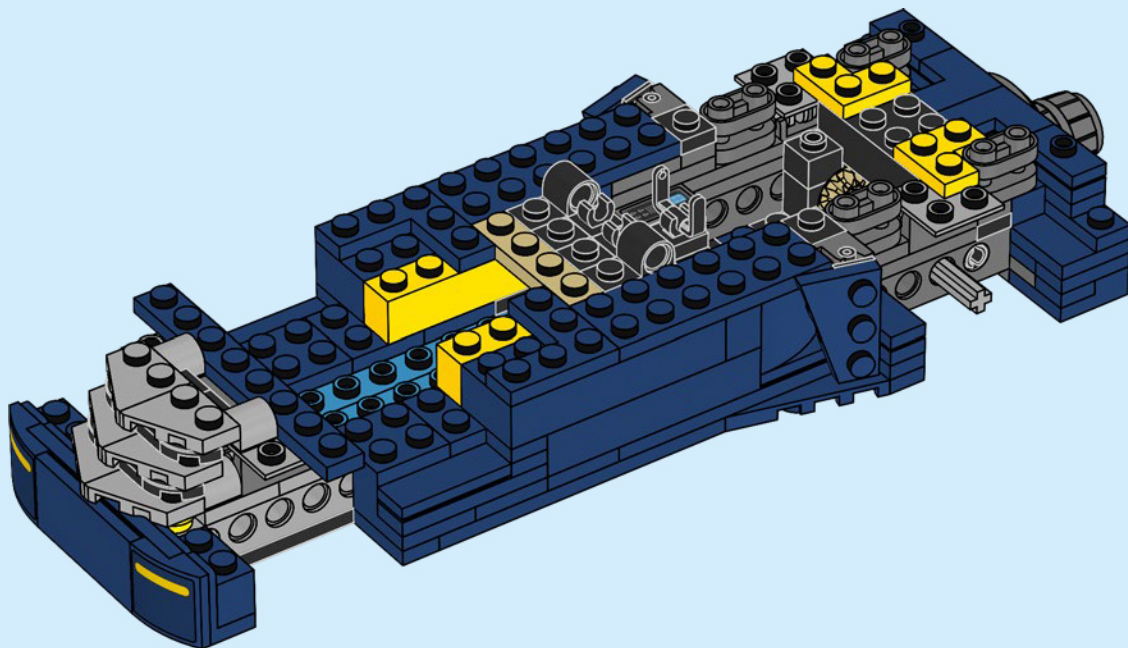
71





4x

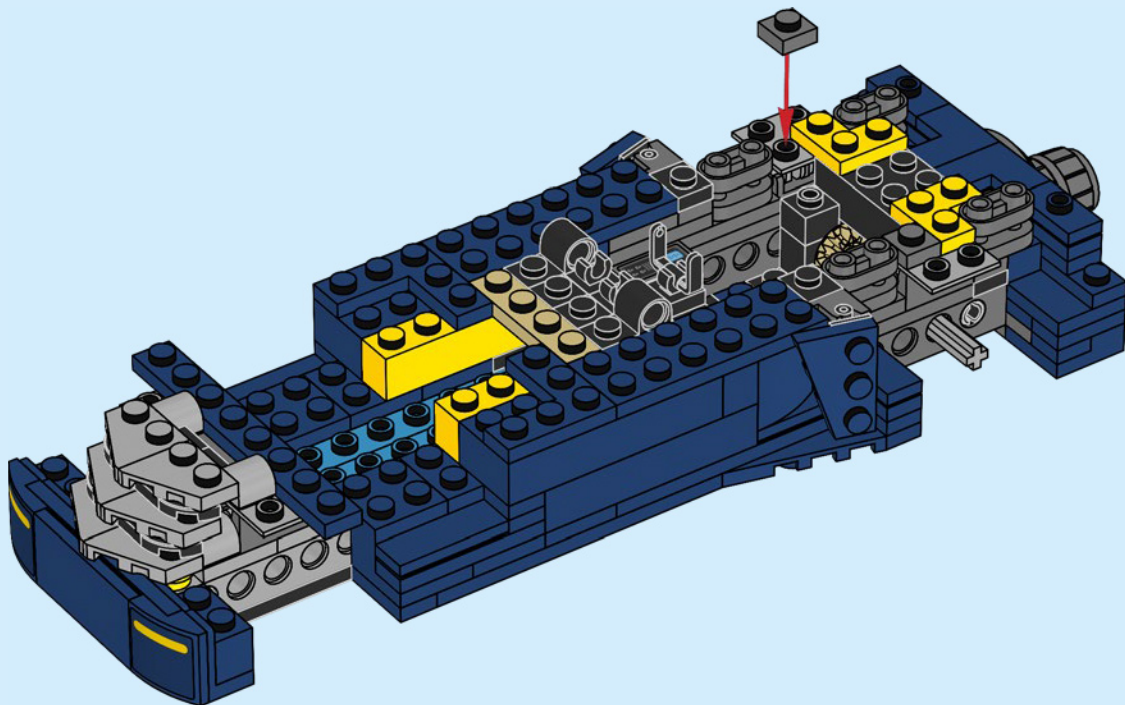
72





2x

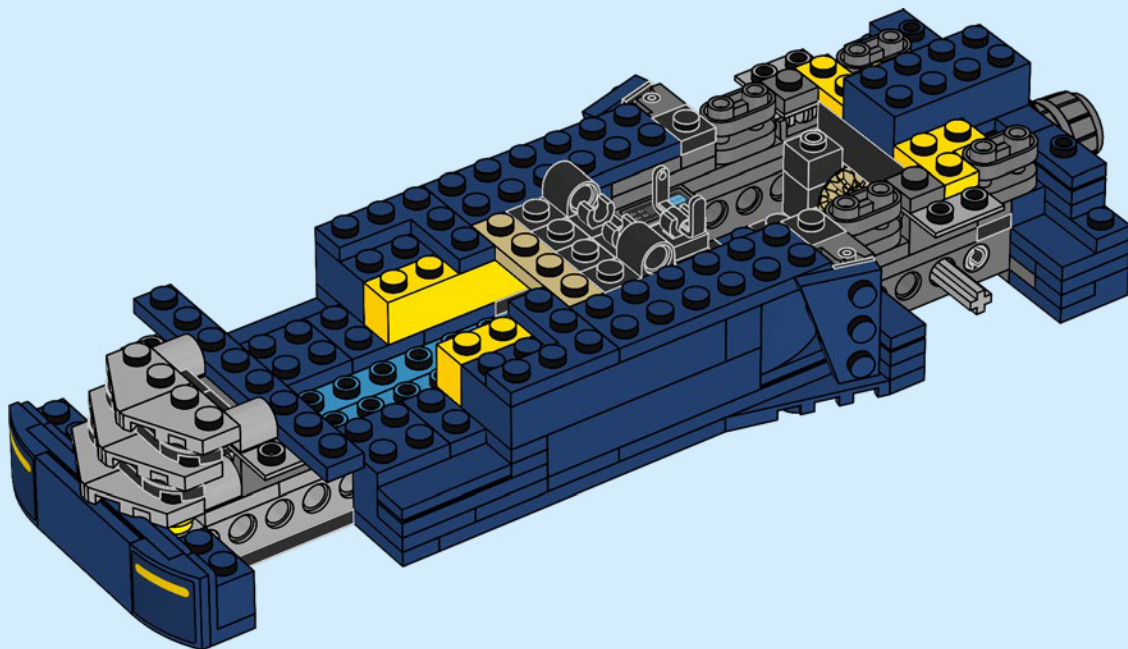
73

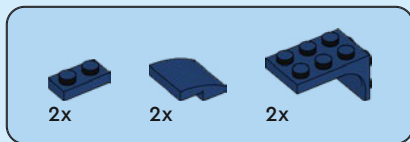




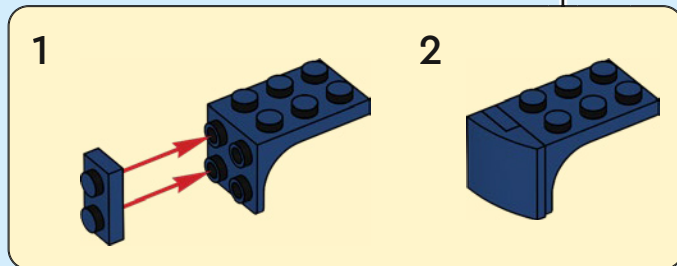
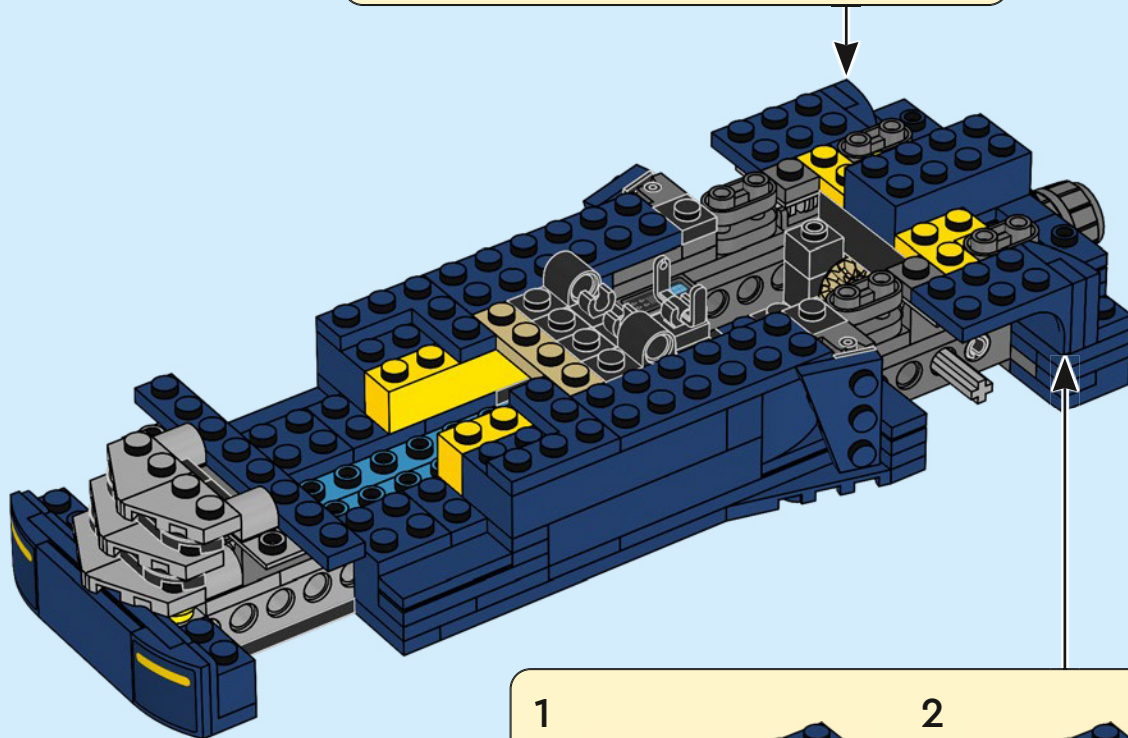
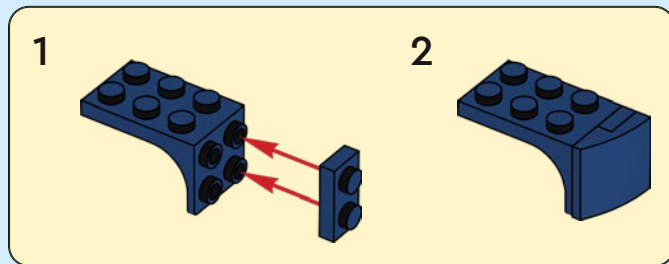
1x

74

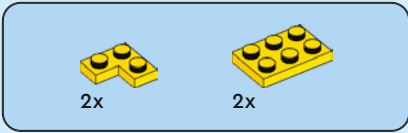




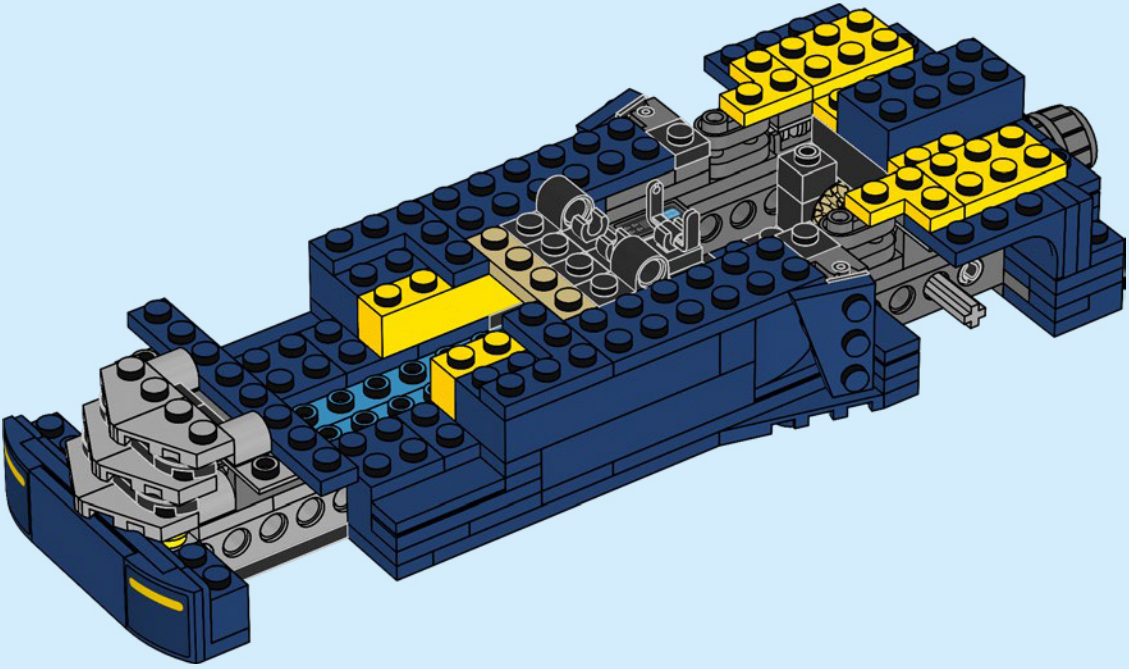
75







76

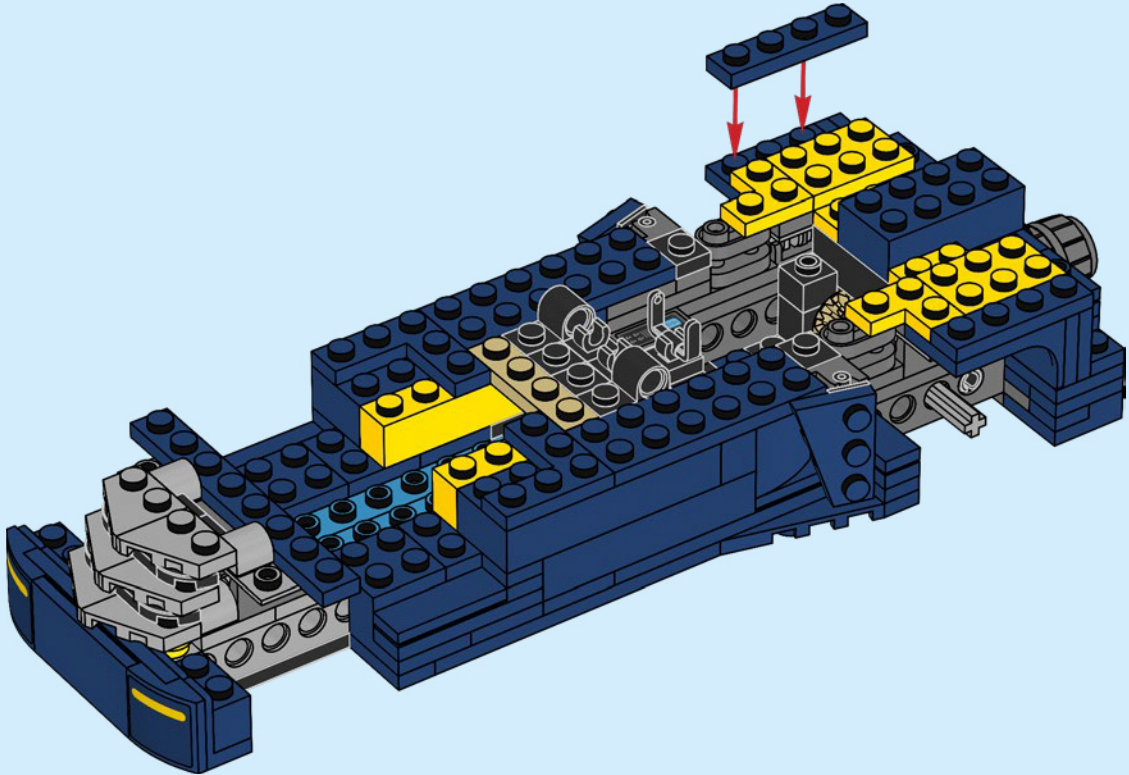






2x

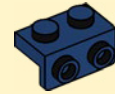
77



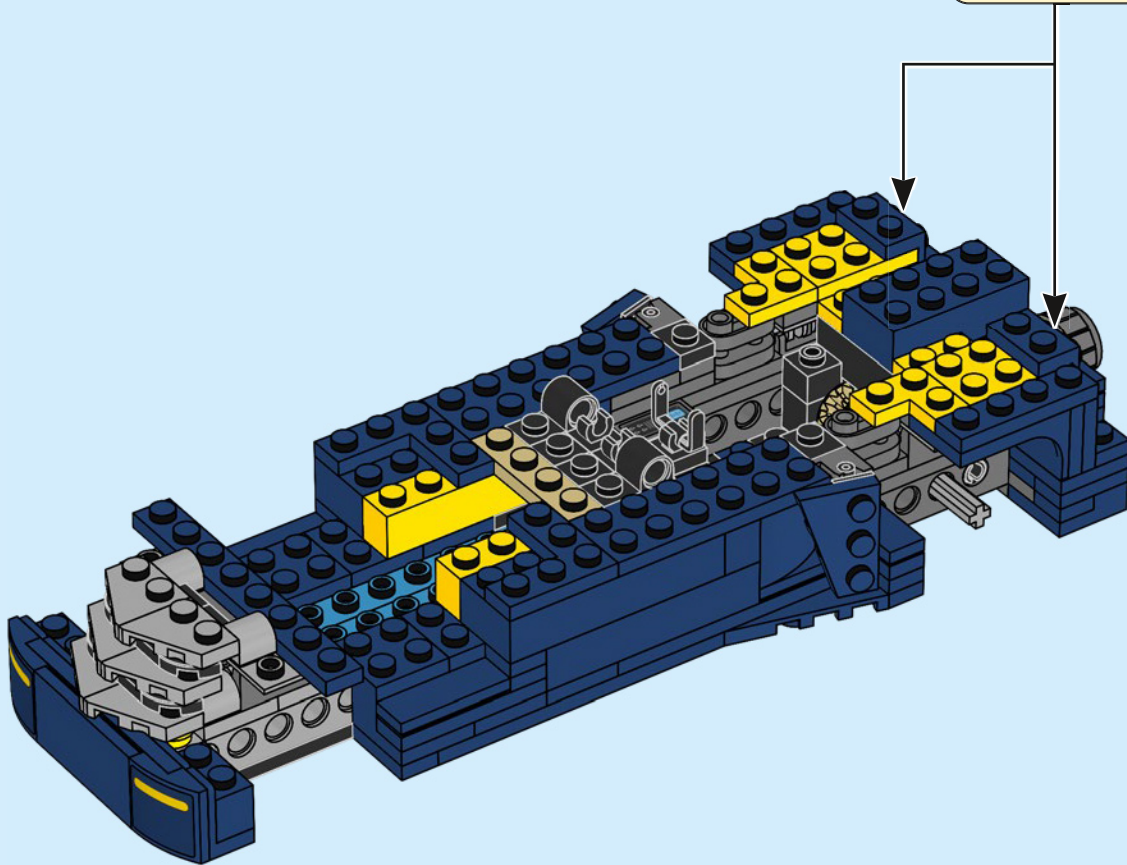


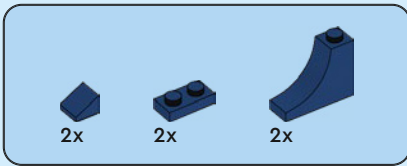
2x

78

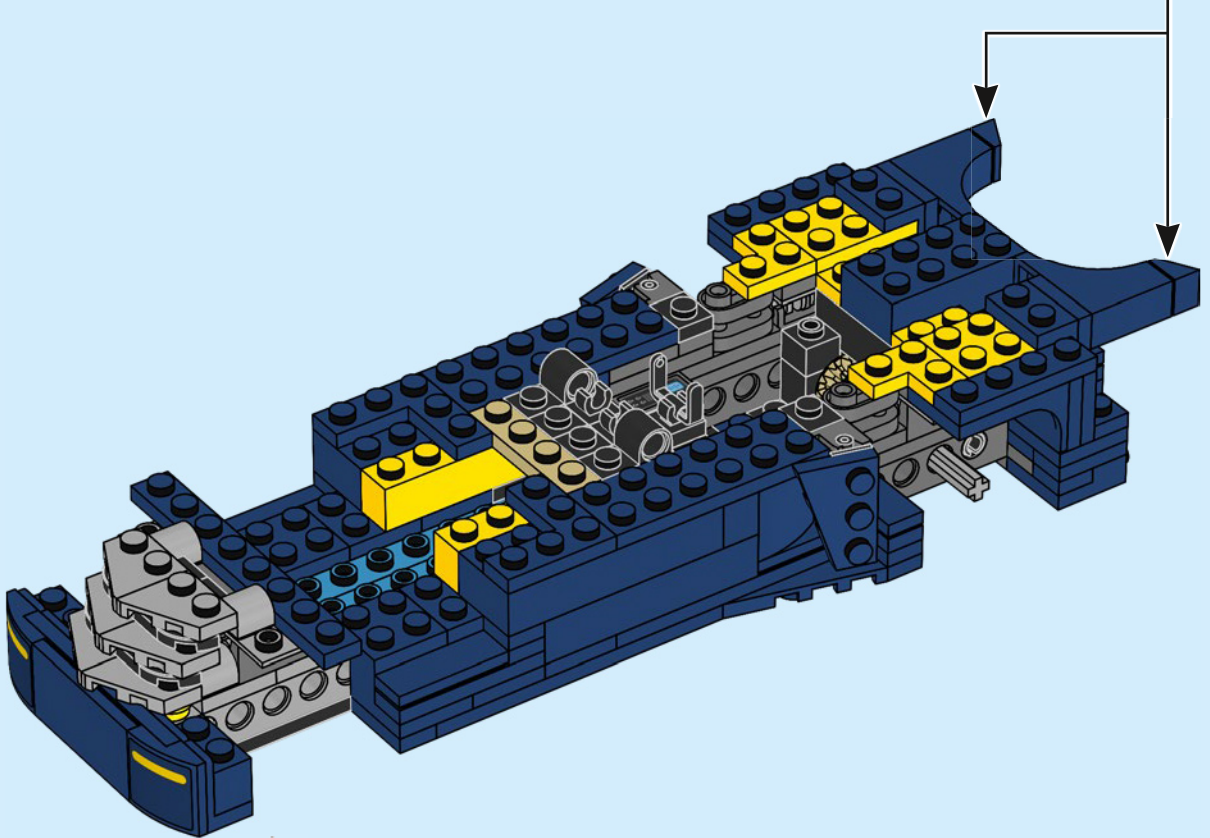
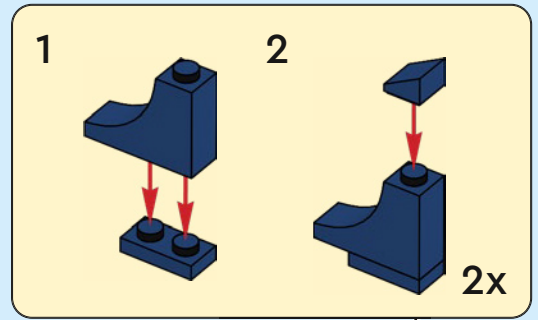


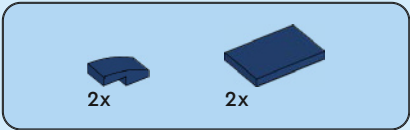
2x



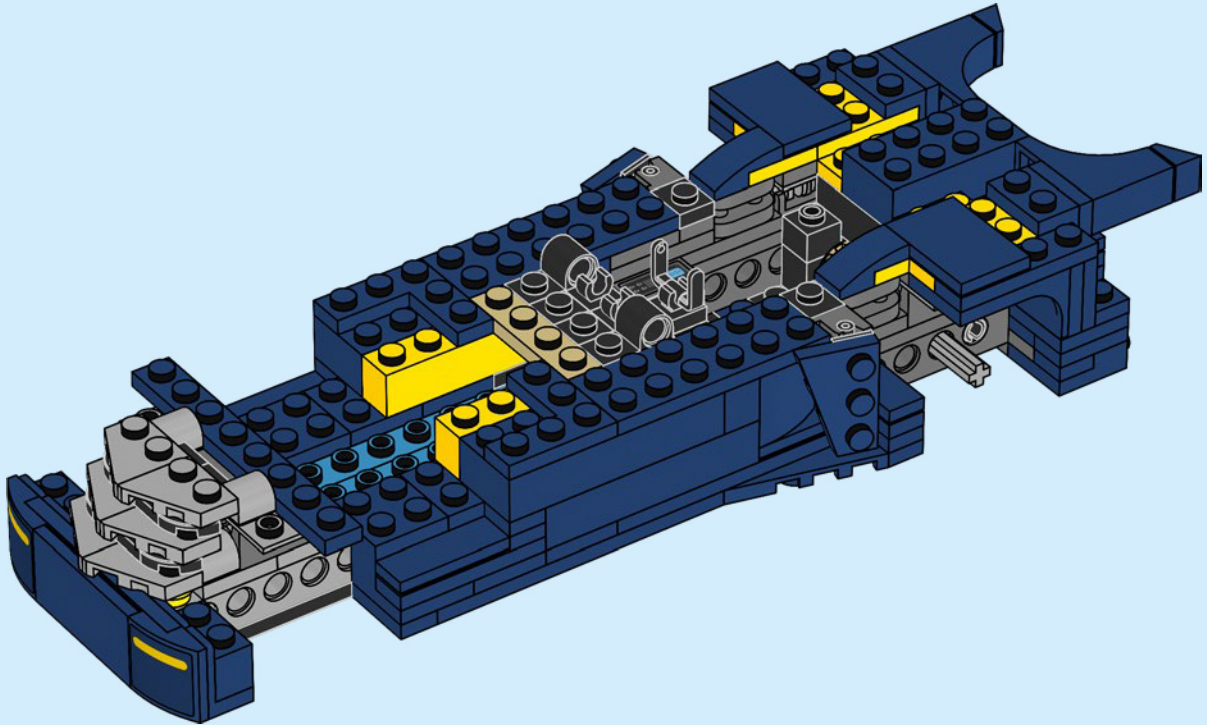


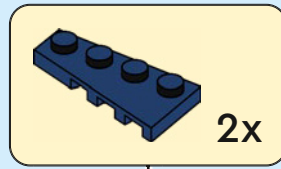
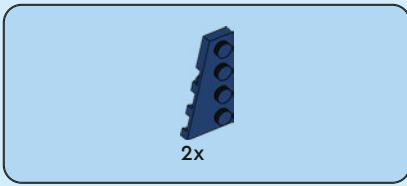
79



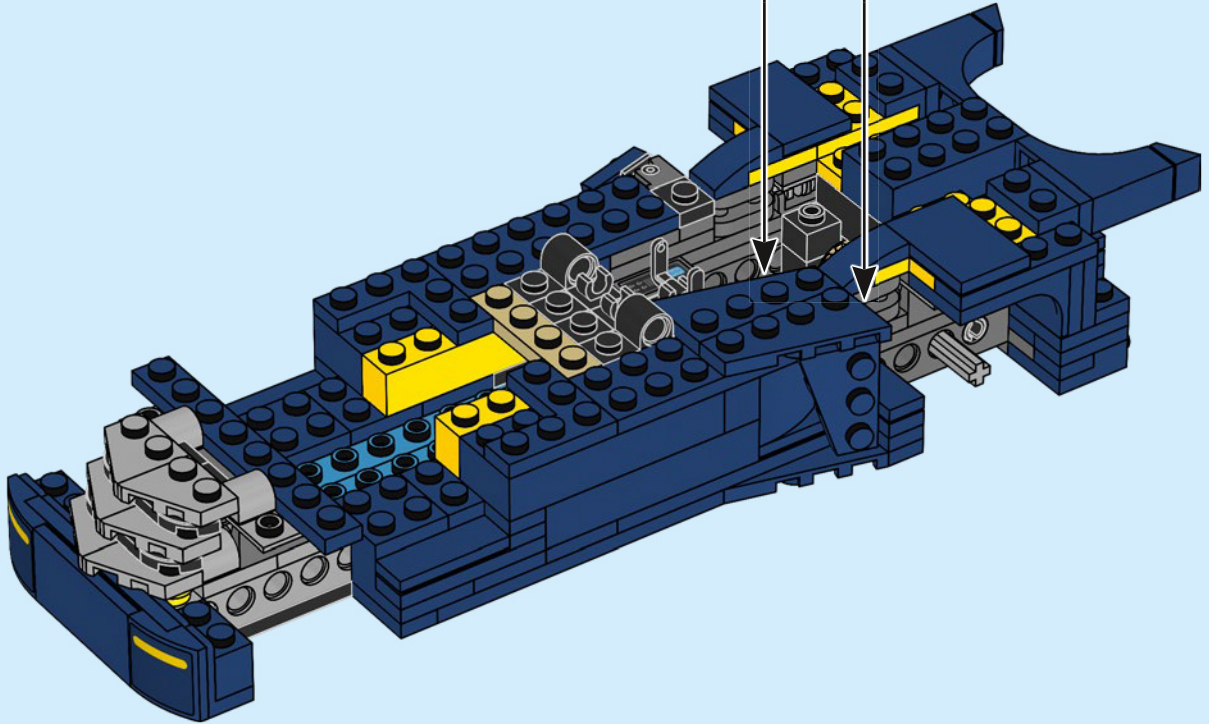


80

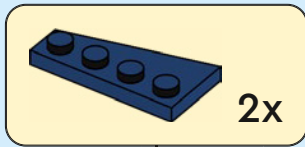
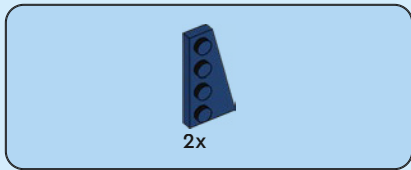




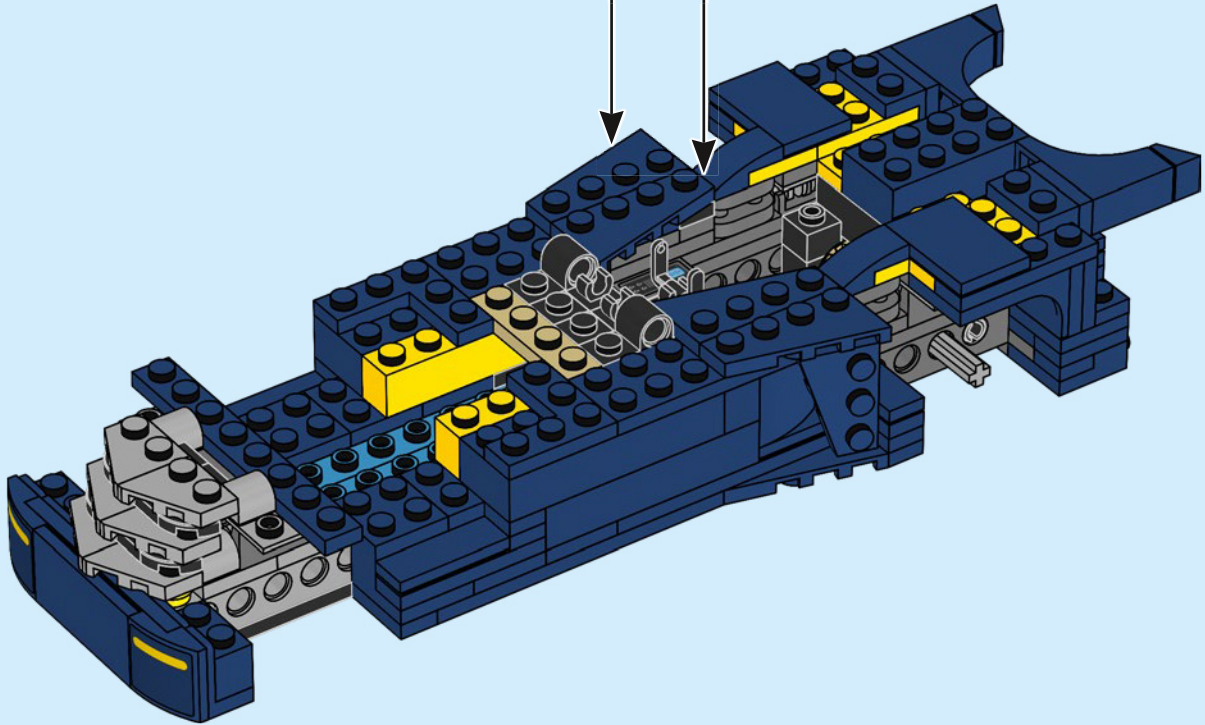
81







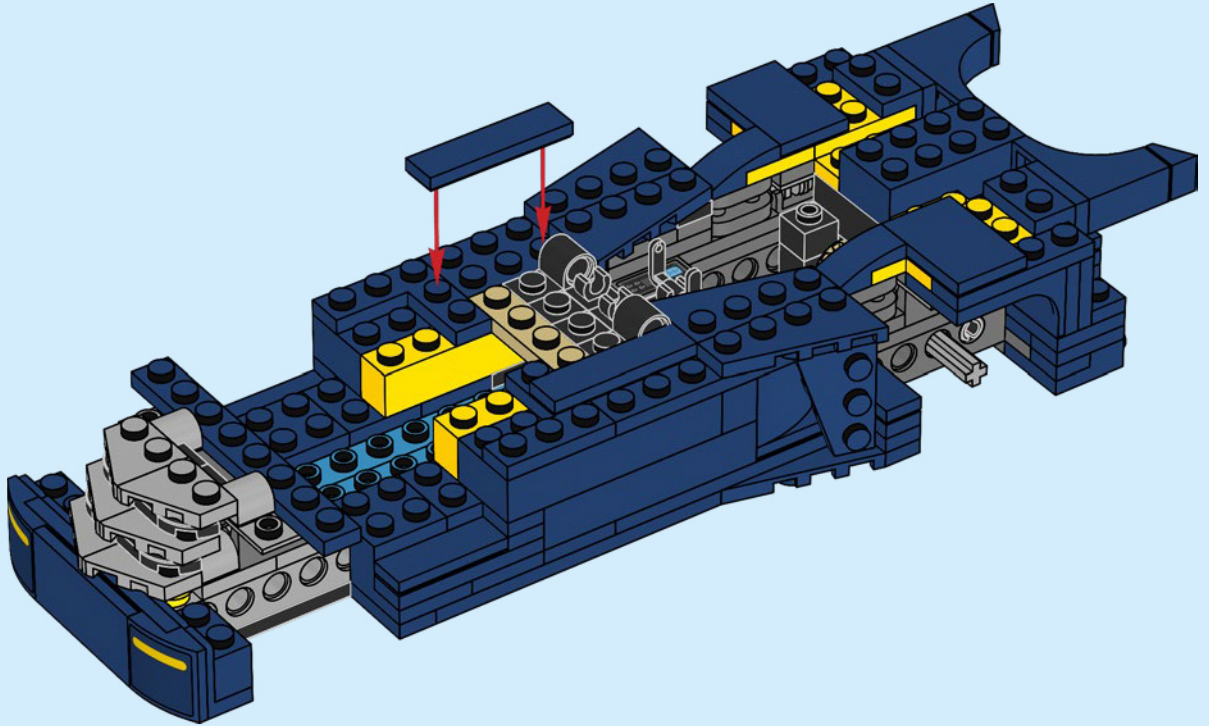
82



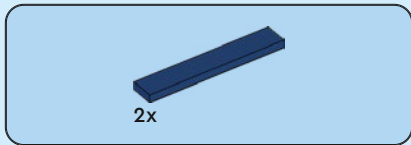


2x

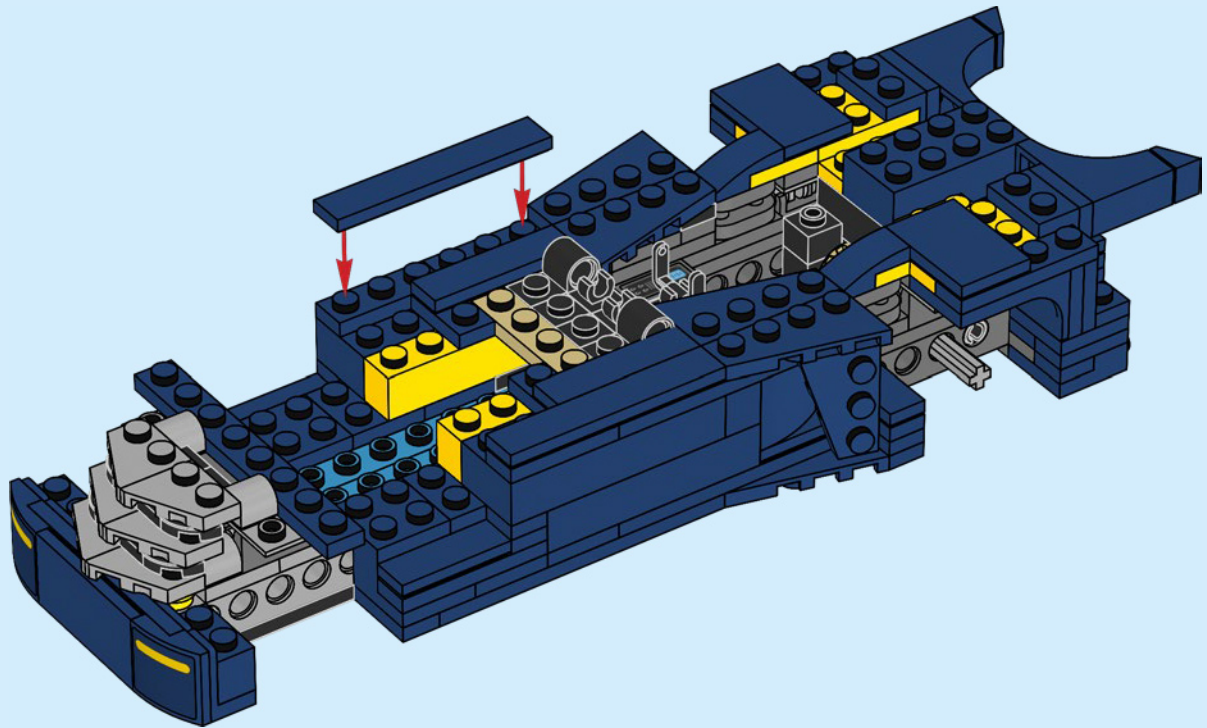
83







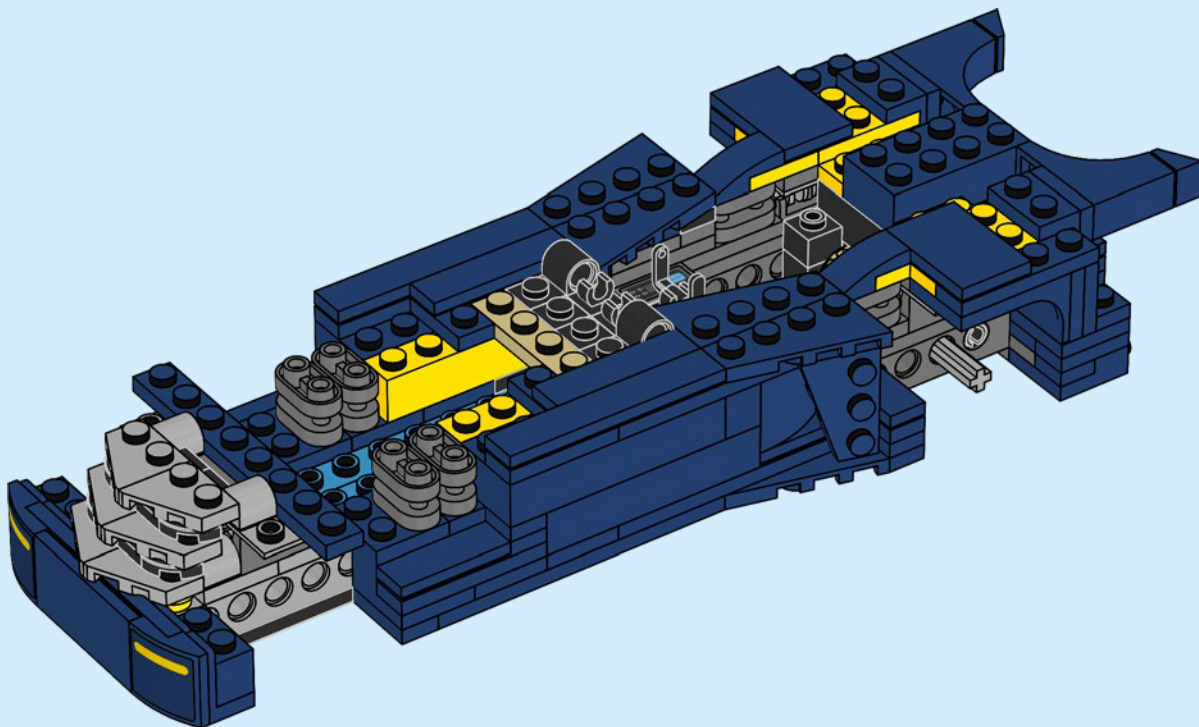
84





4x

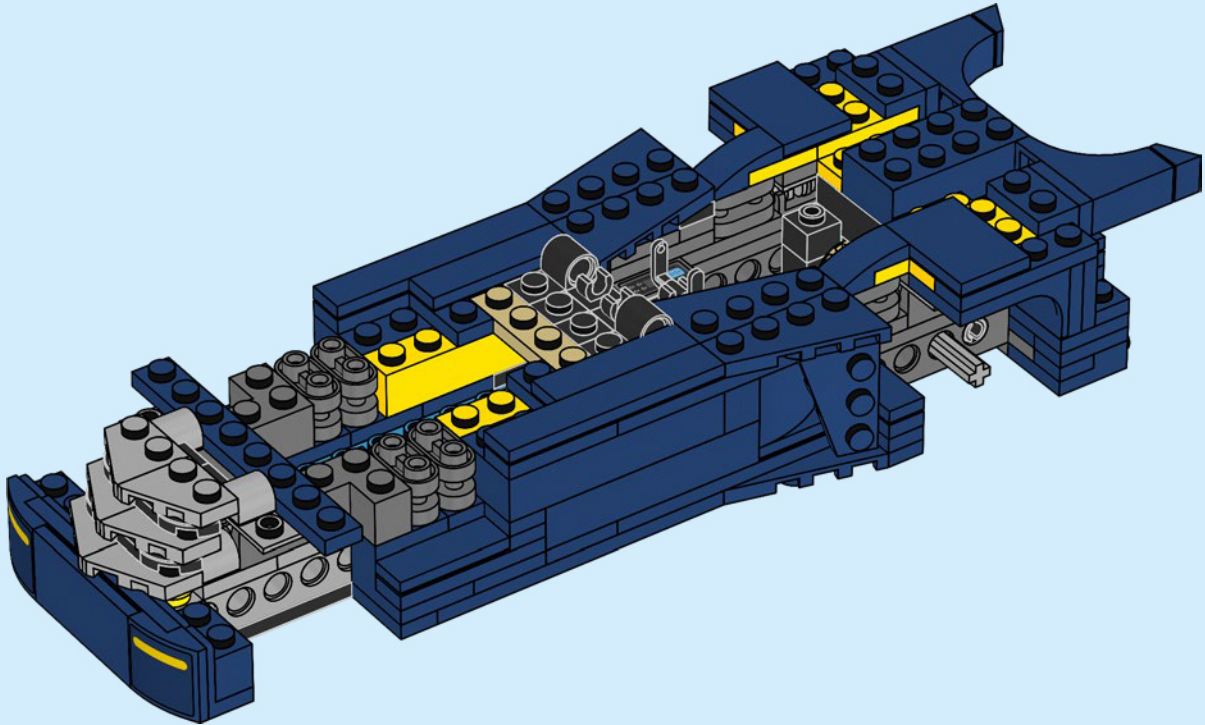
85

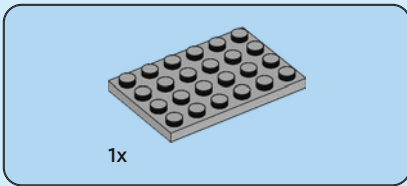




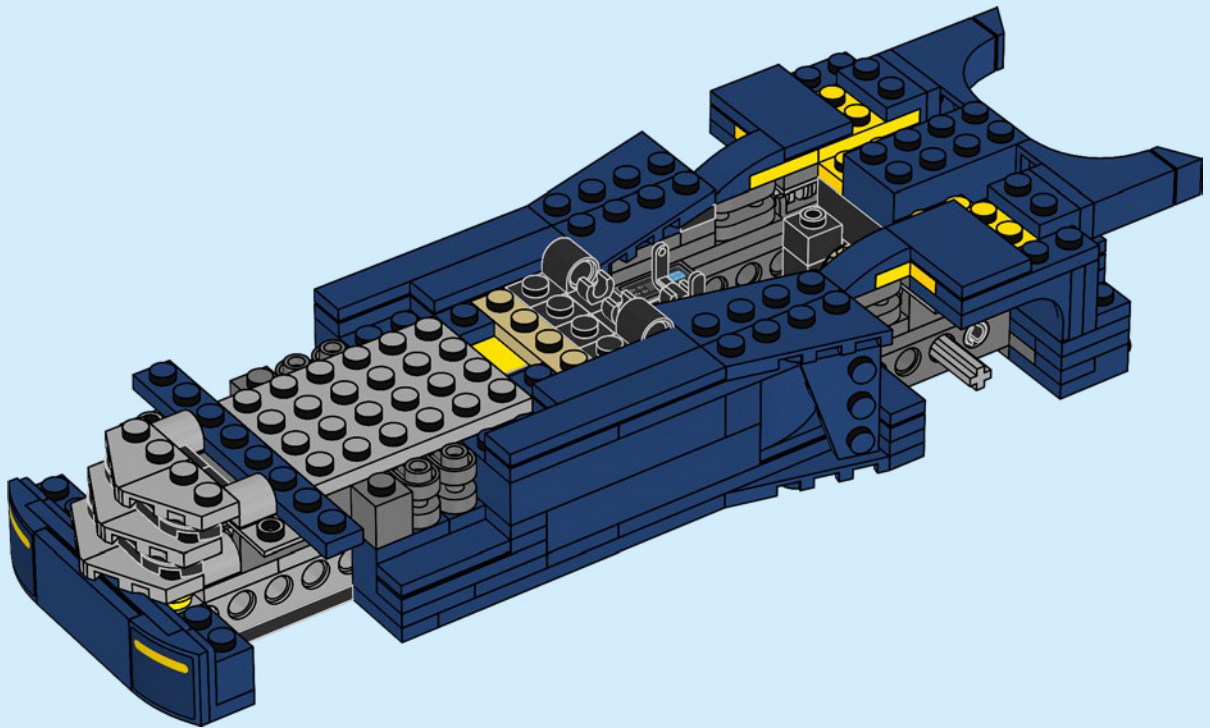
2x

86





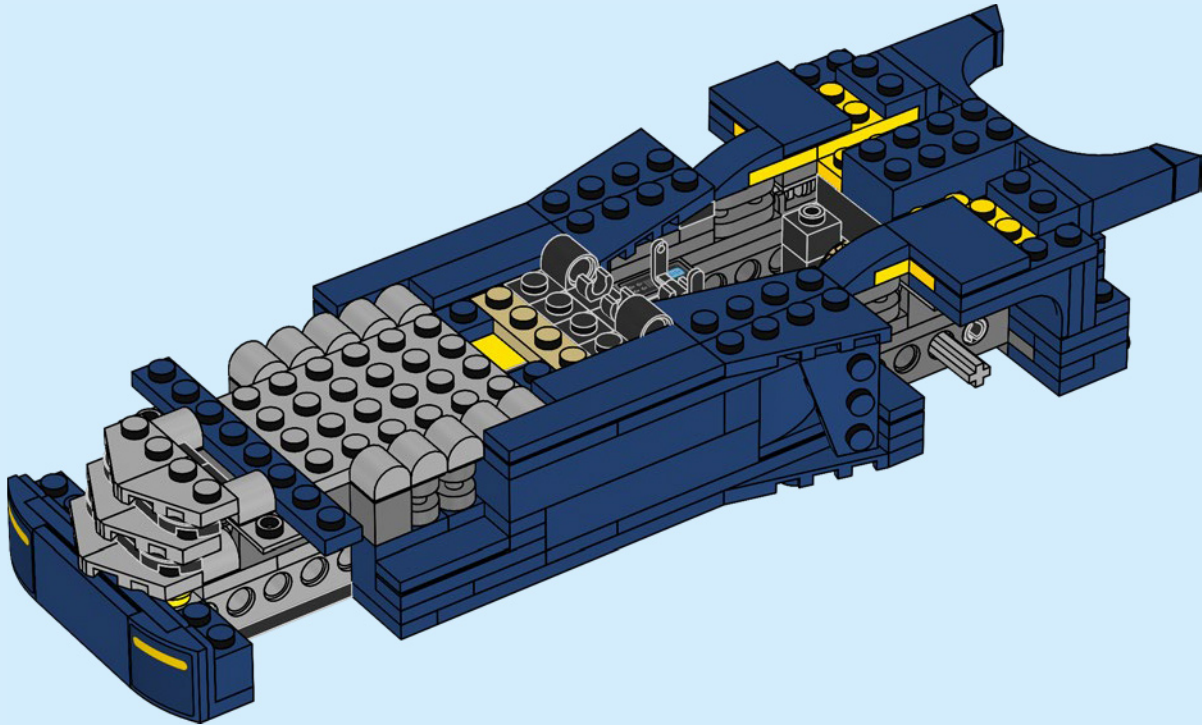
87



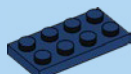


10x

88

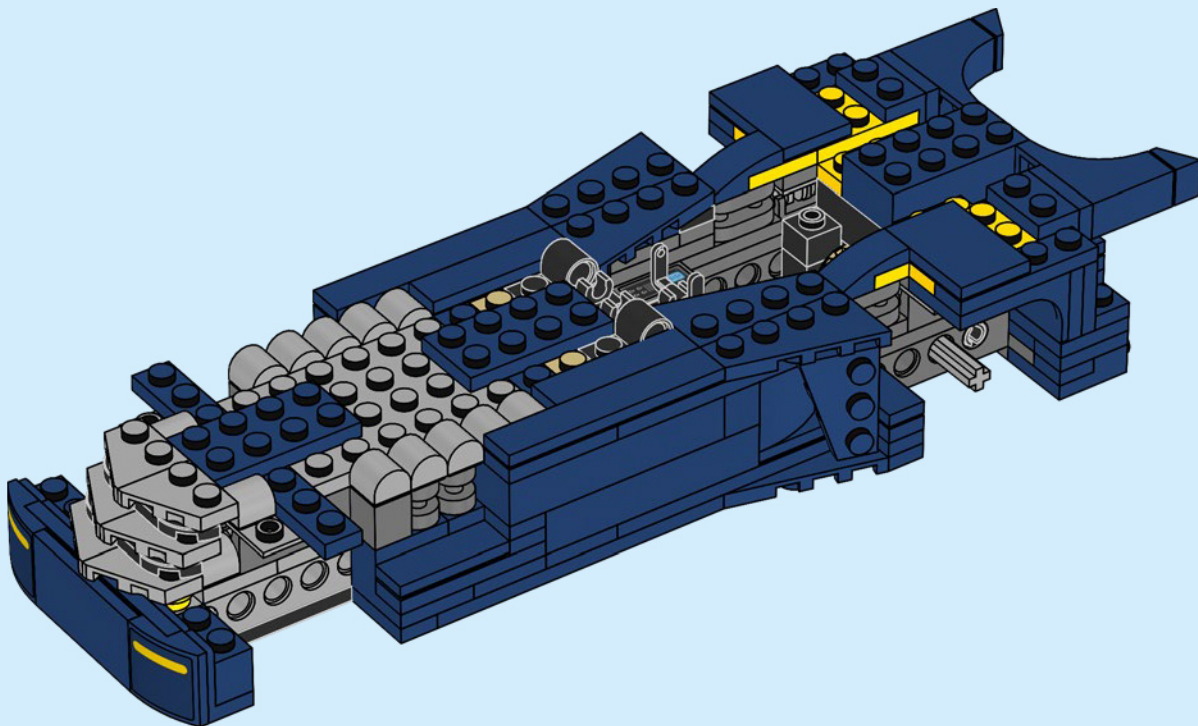


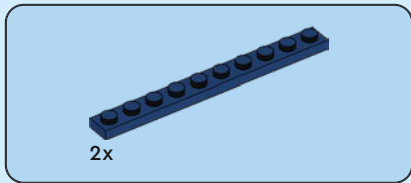




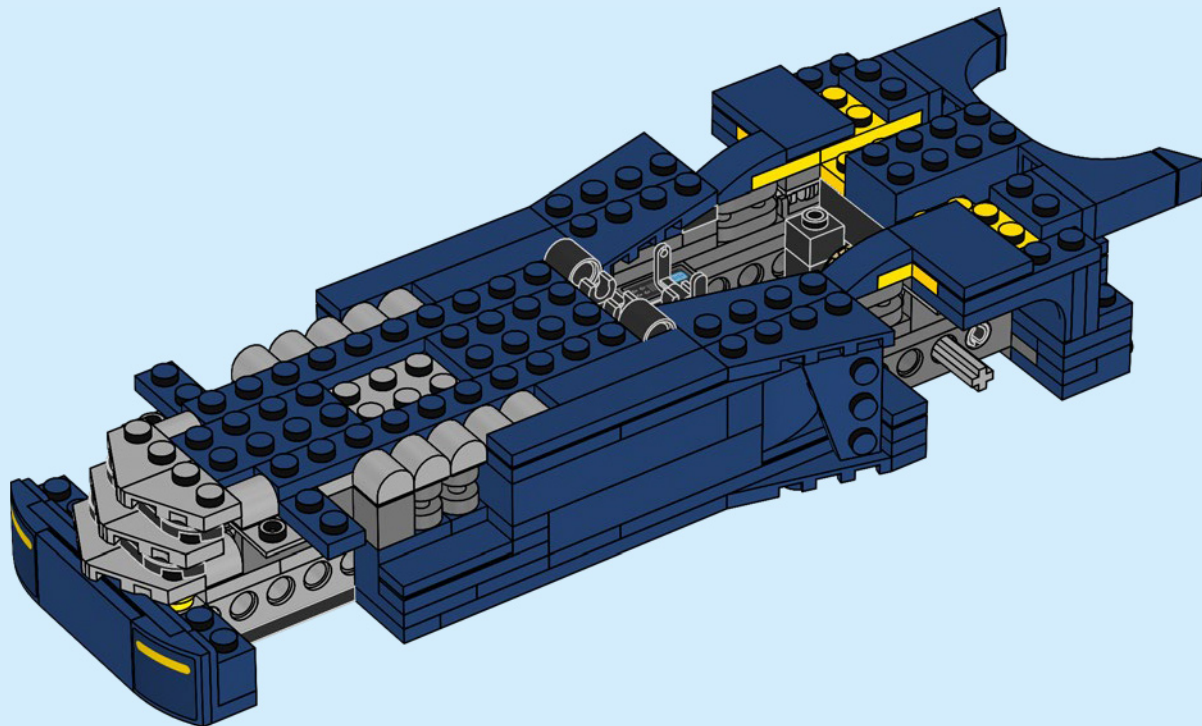
2x

89

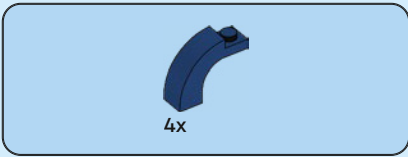




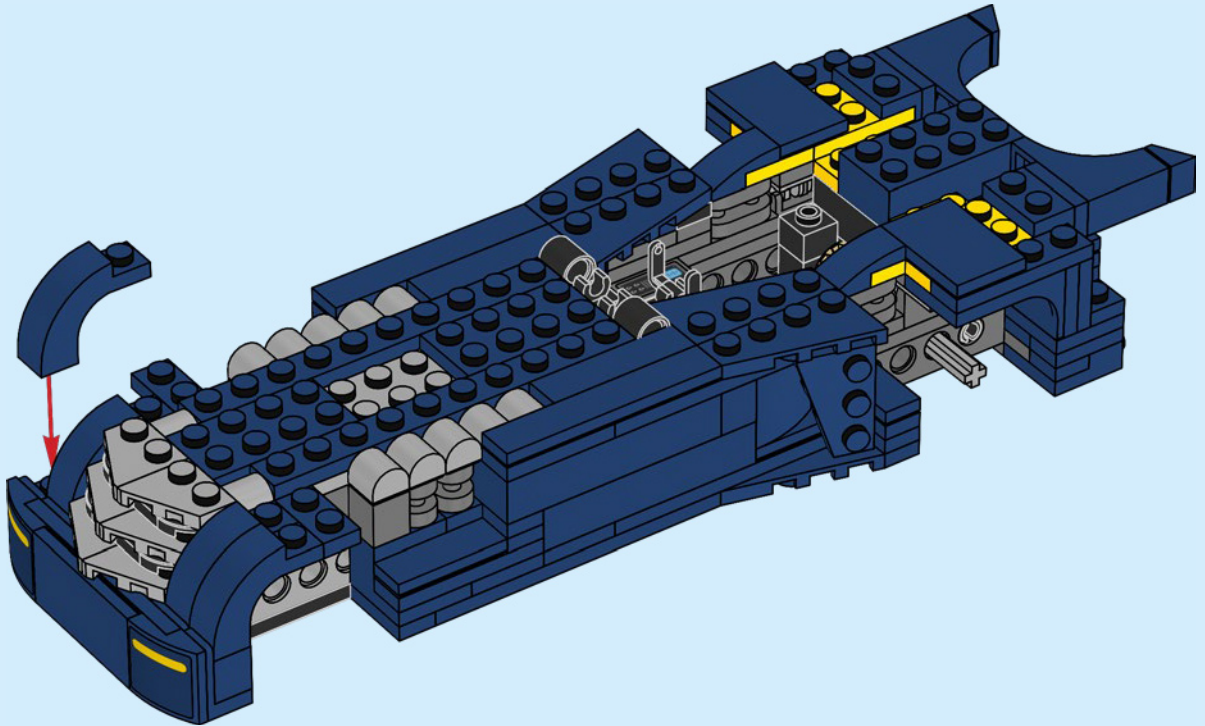
90

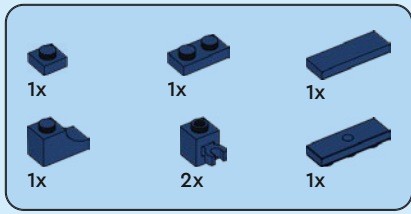




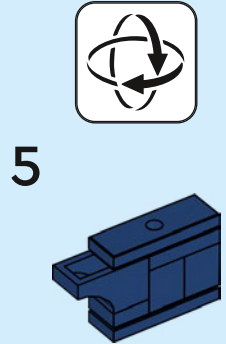
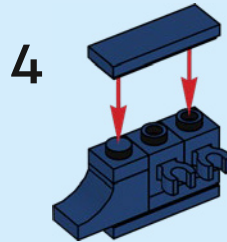
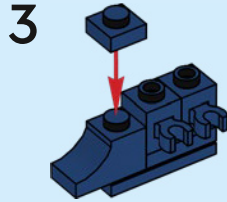
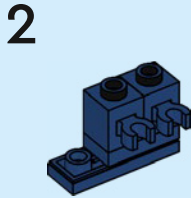
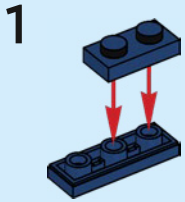


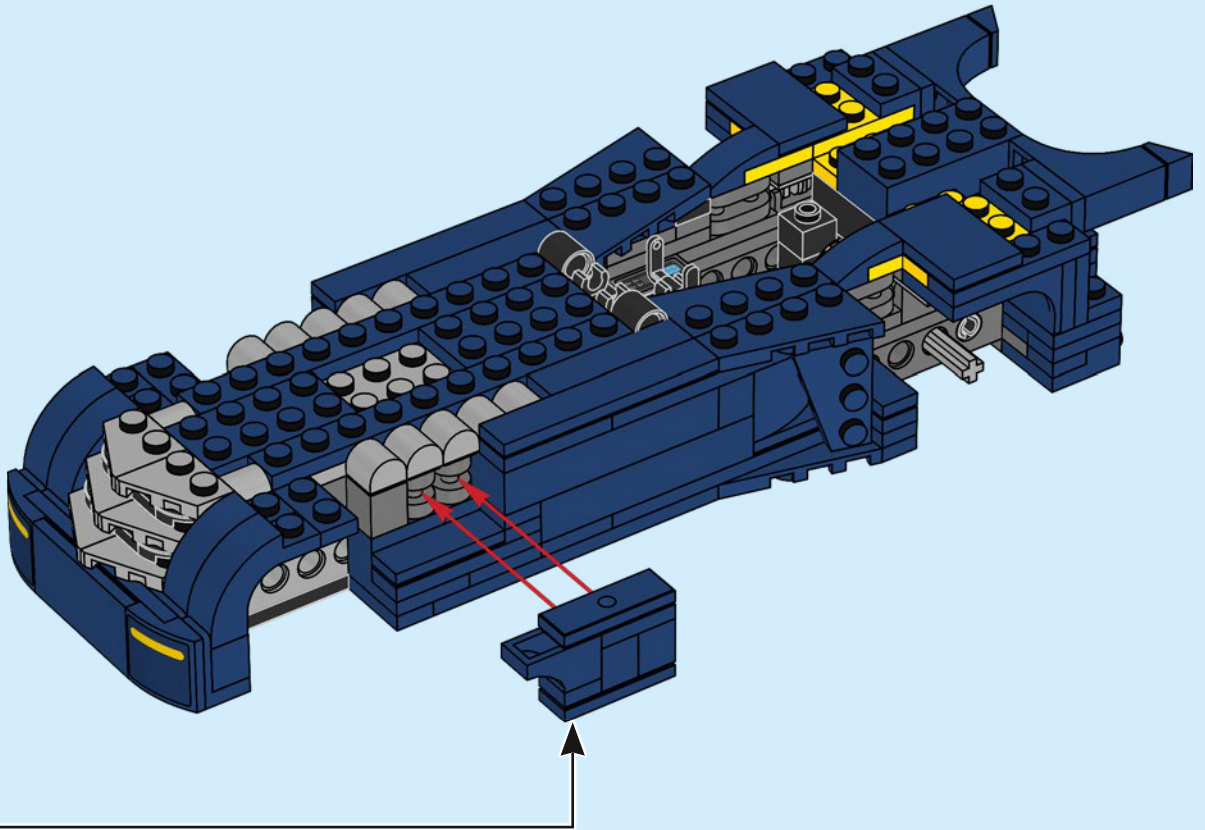
91

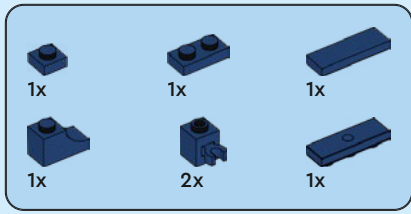




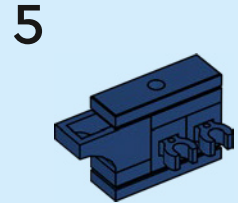
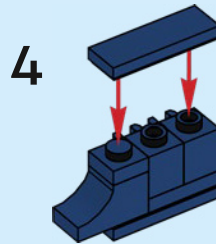
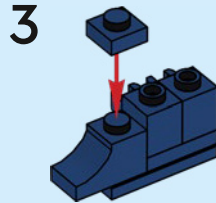
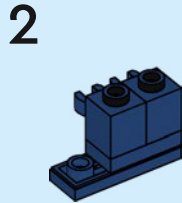
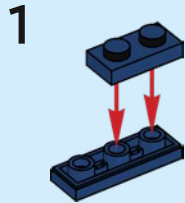
92

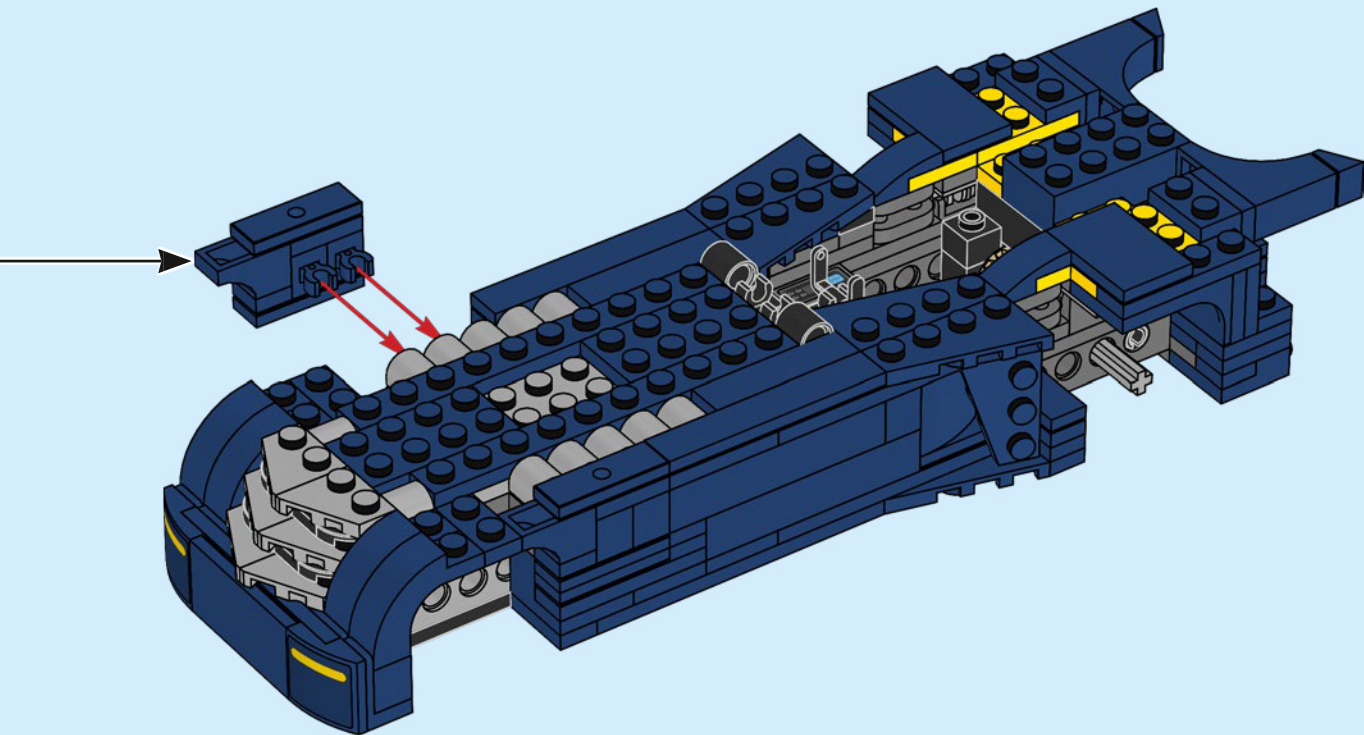


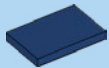




93

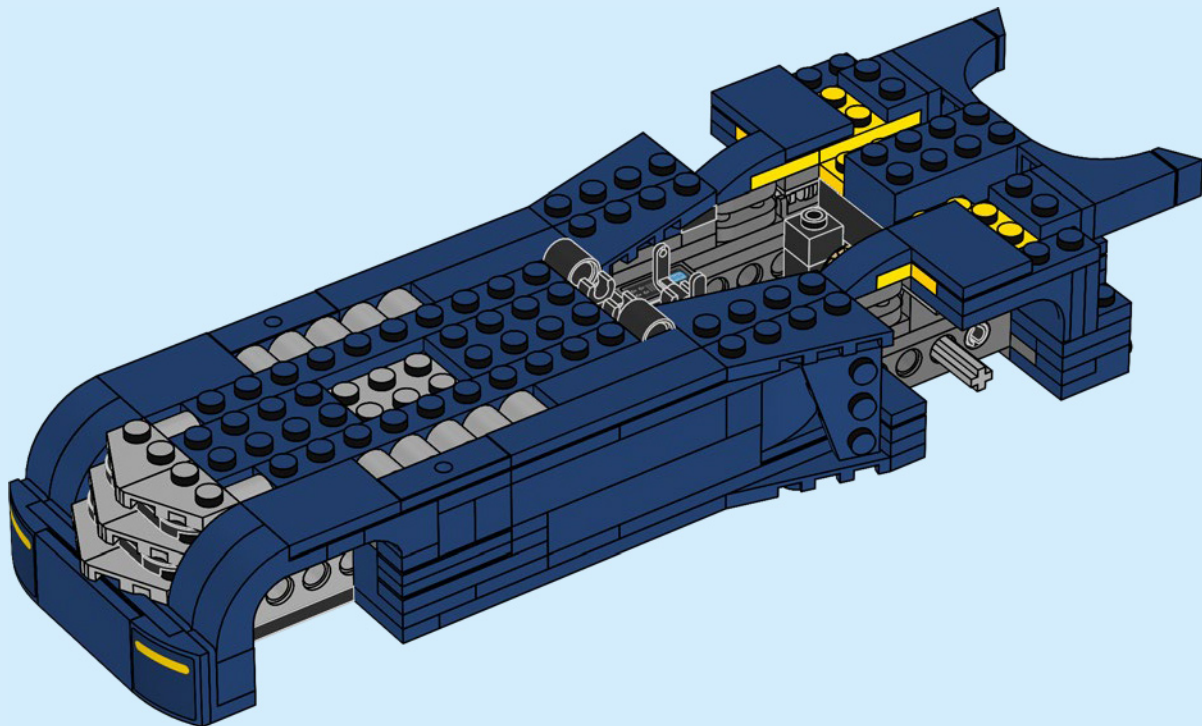






2x

94





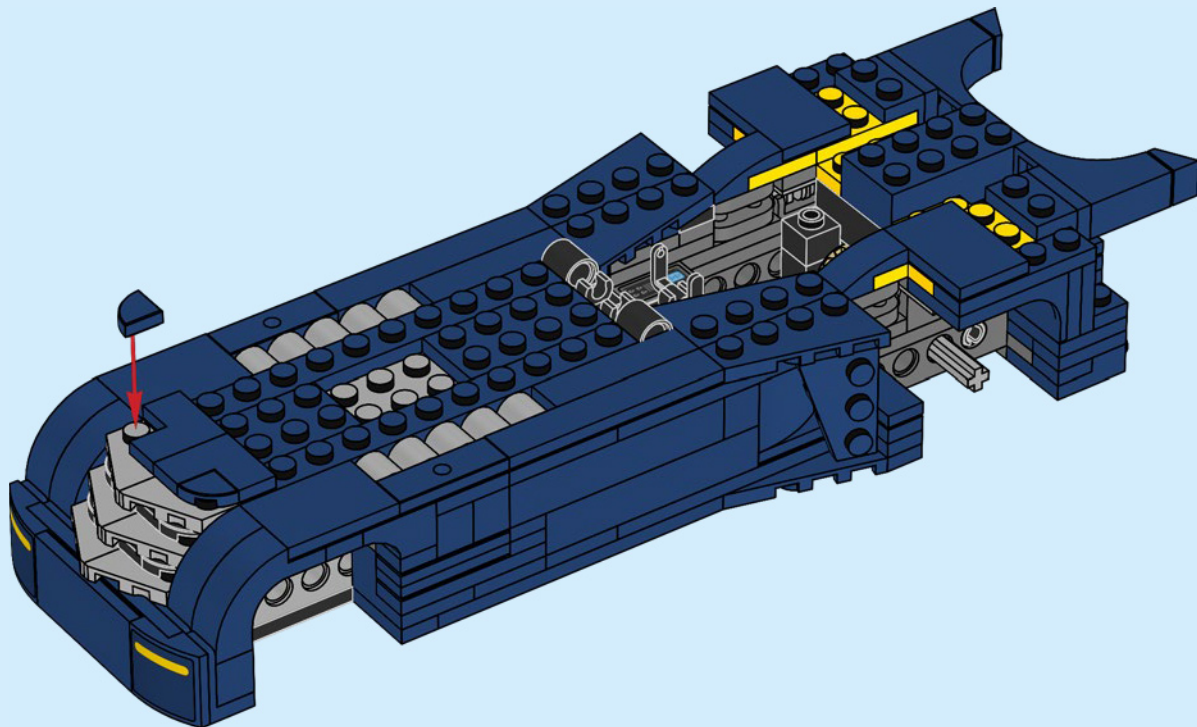


2x



2x

95

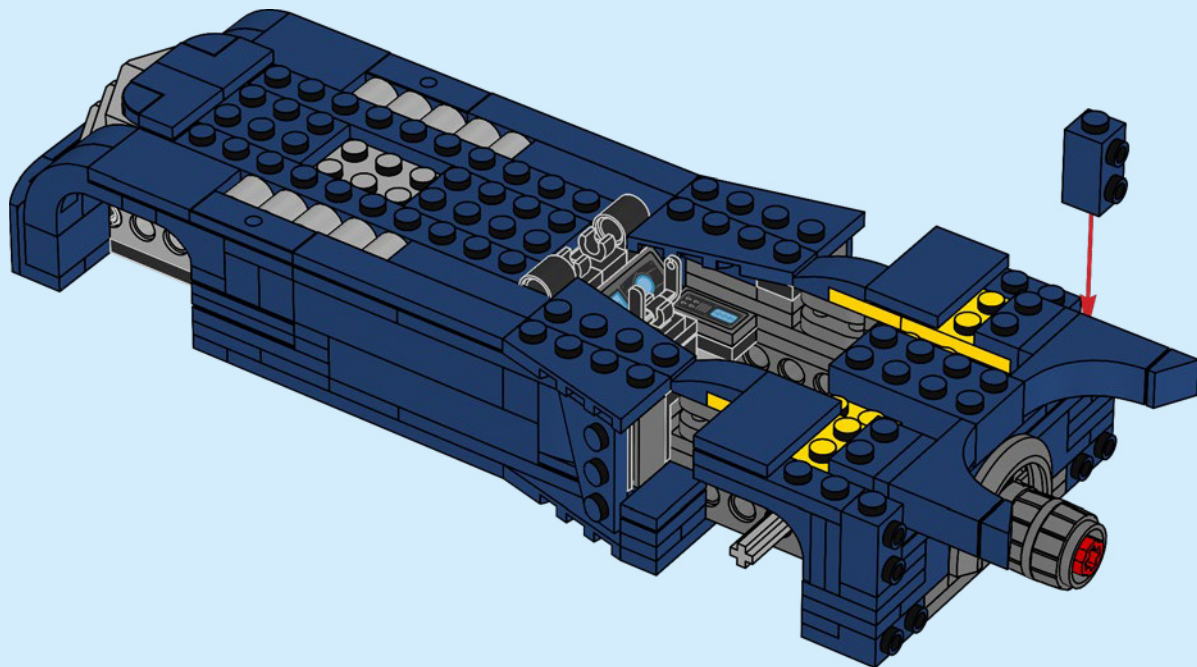


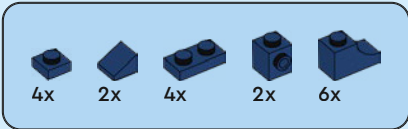




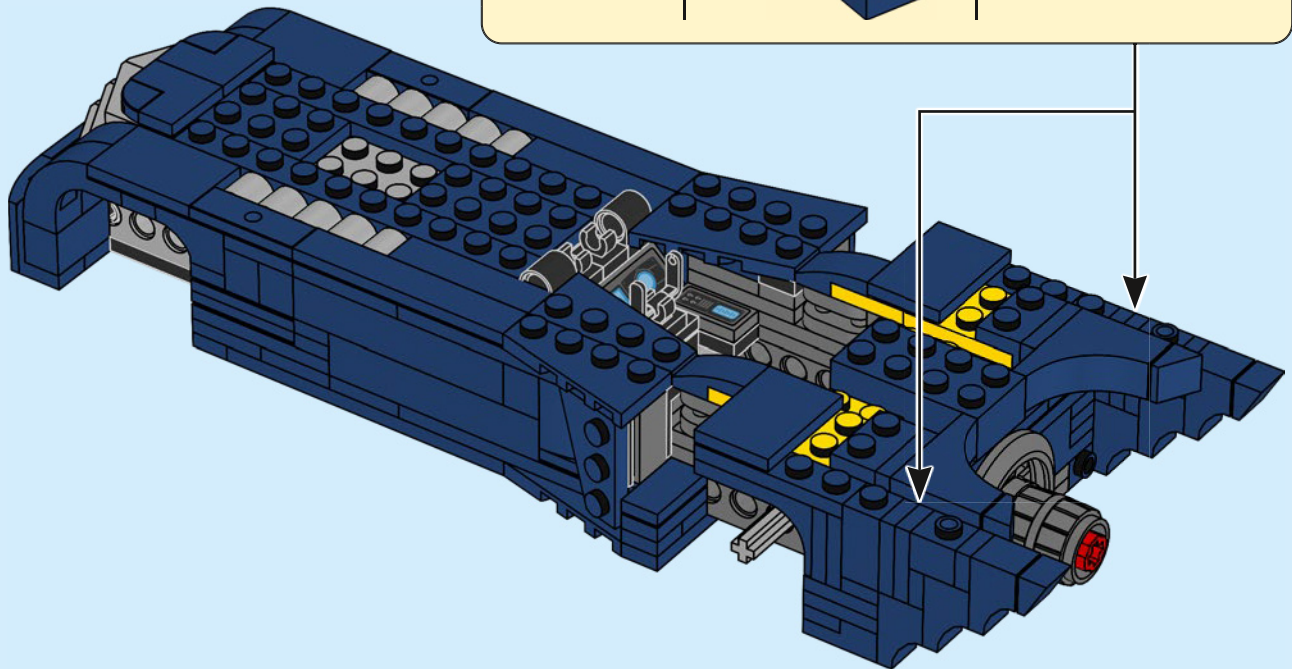
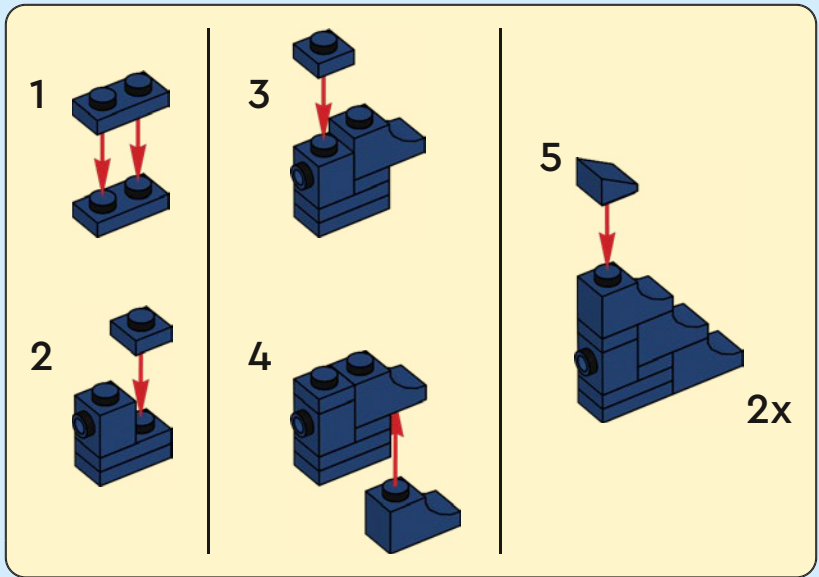
2x

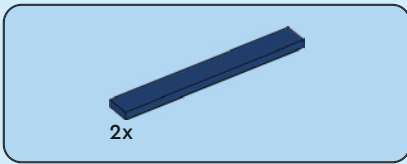
96



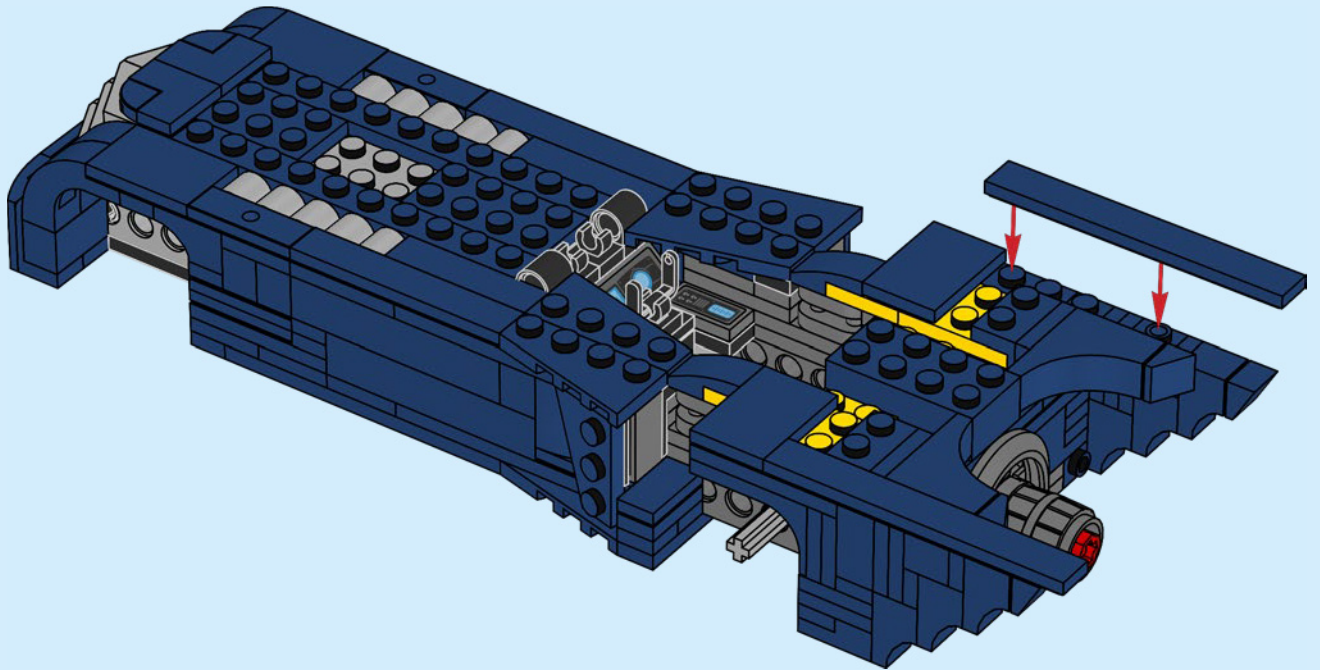


97





98

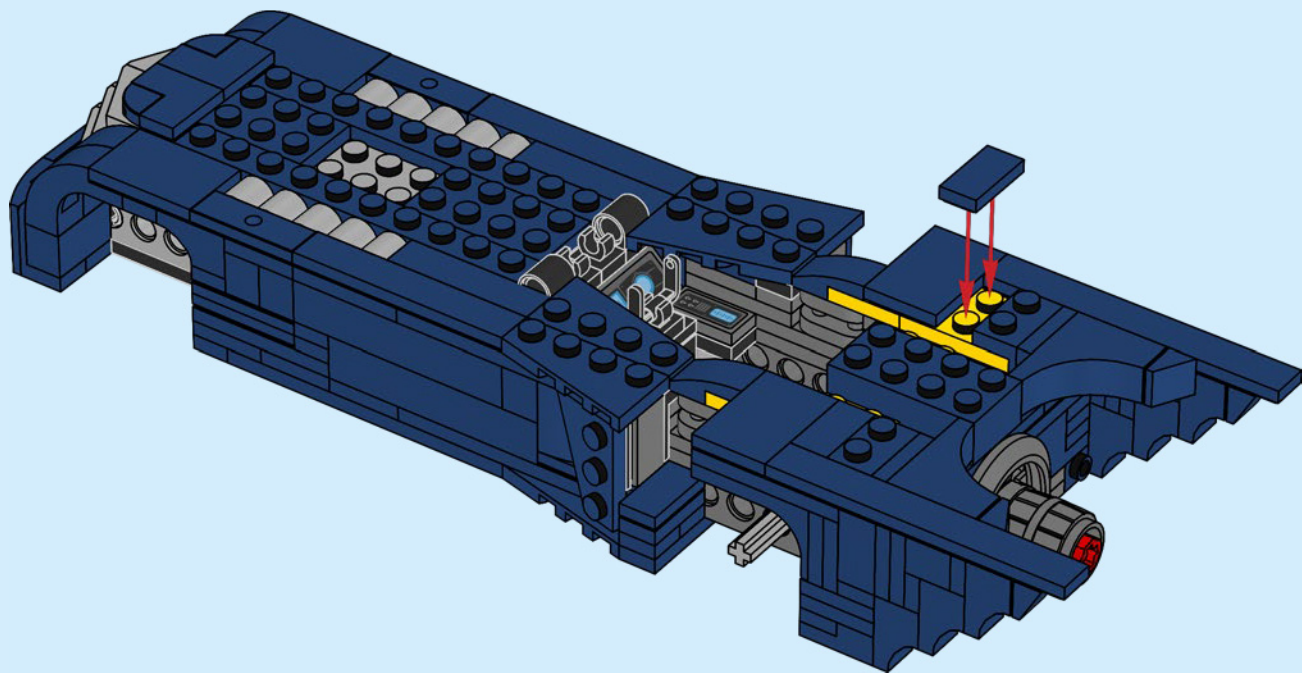








2x





99

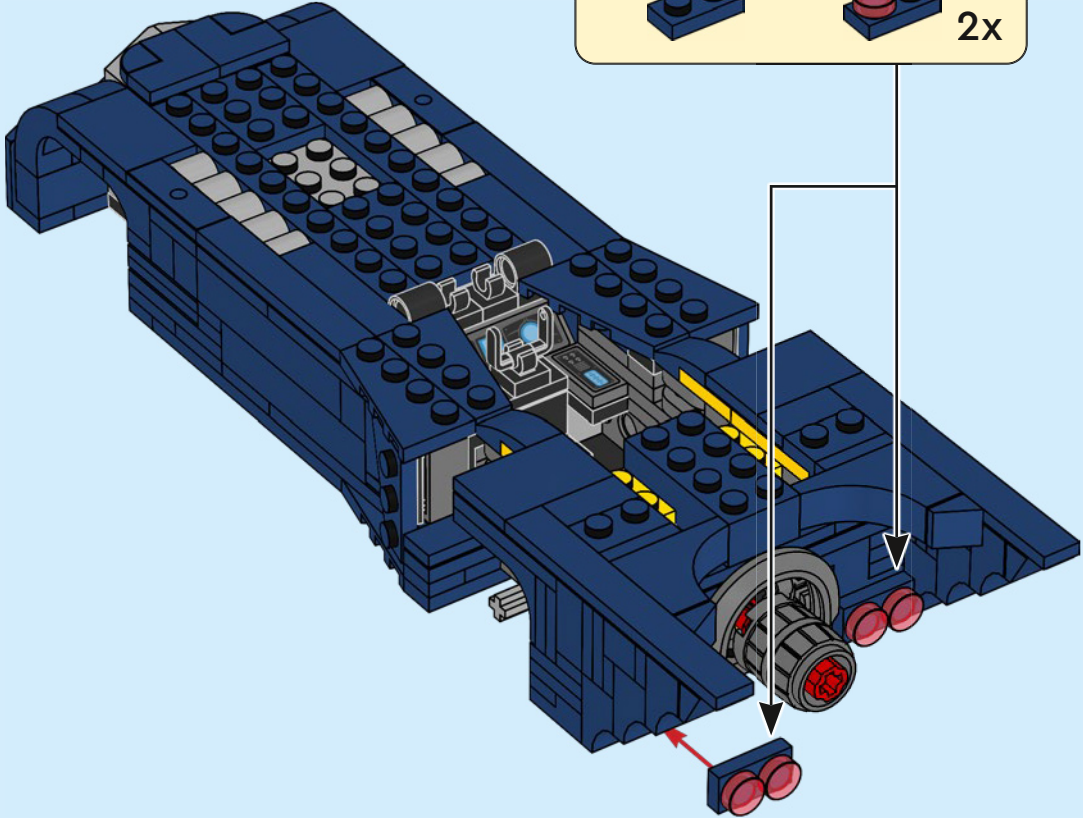




2x  4x 

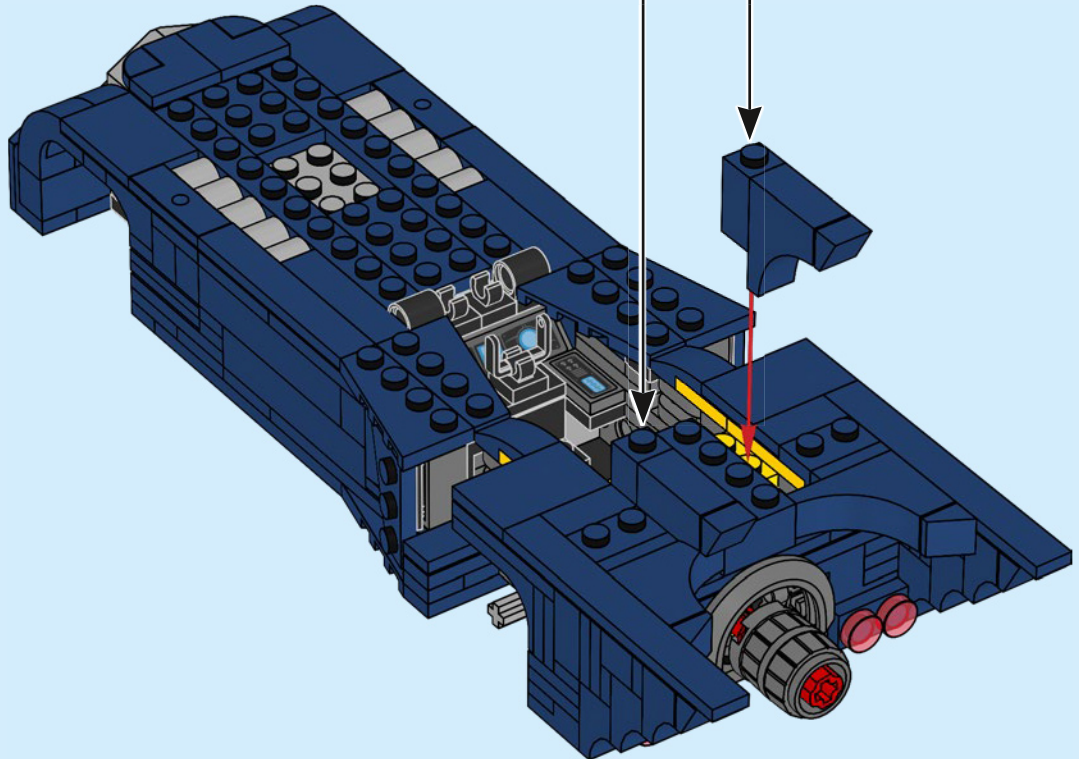
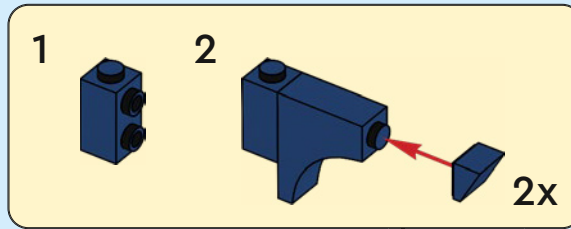
100

1  2    2x





101



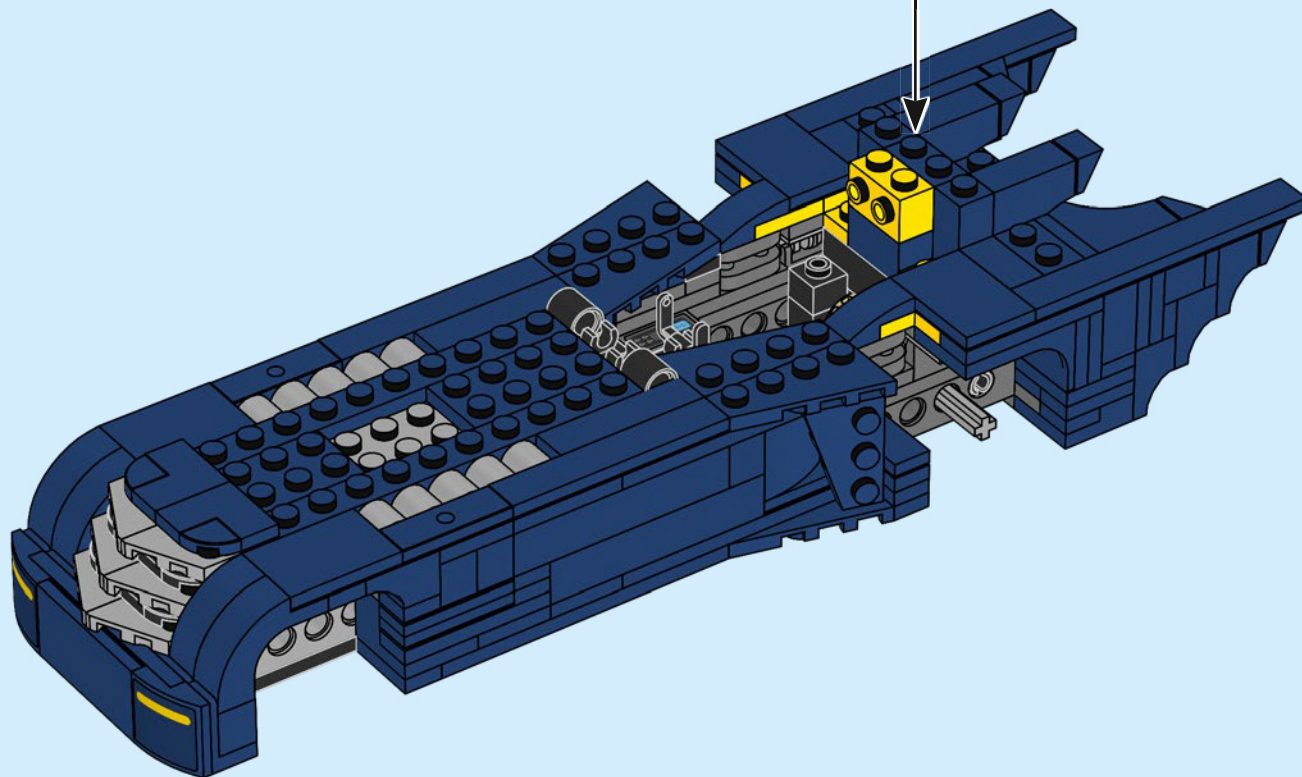
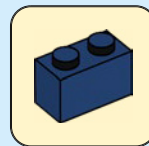


1x



1x

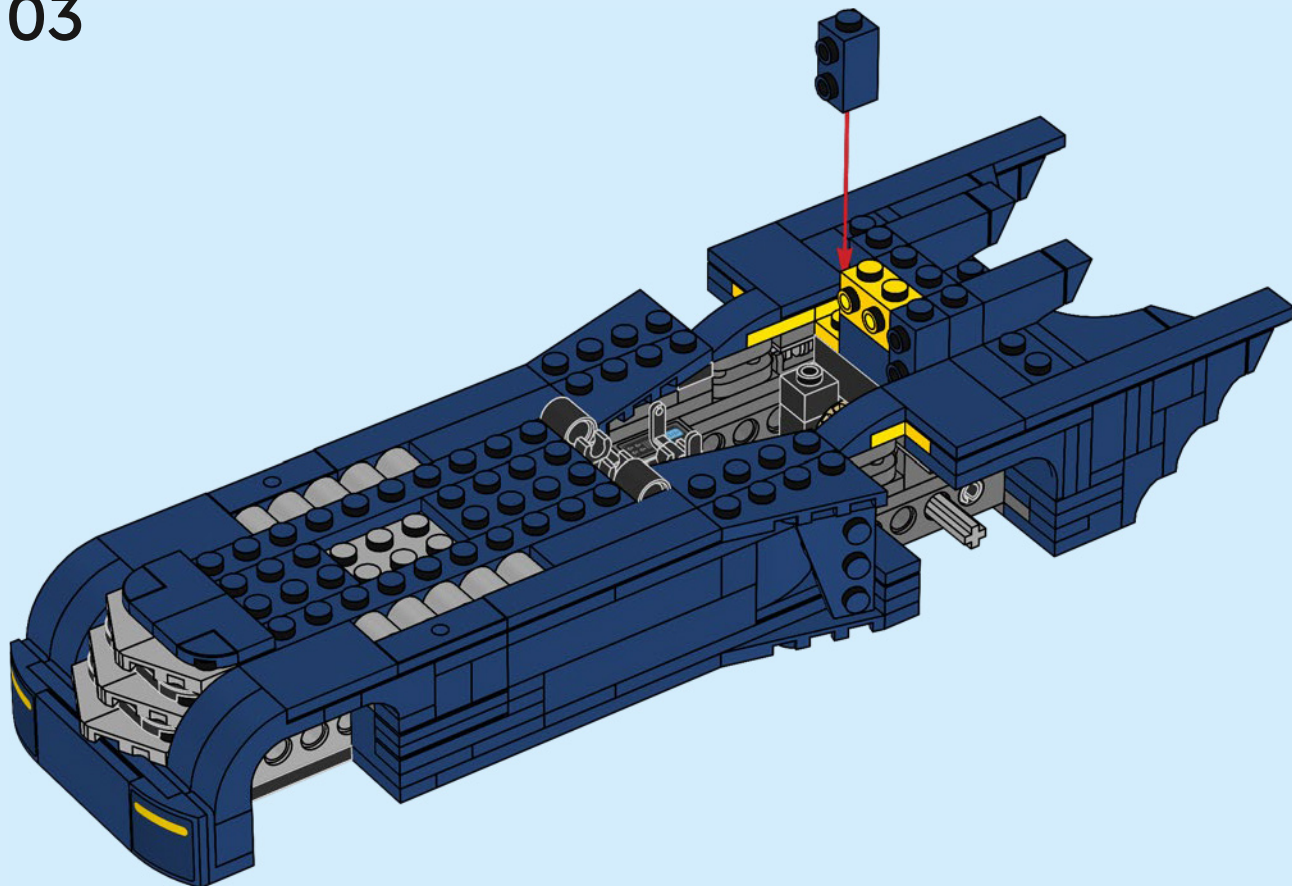
# 102

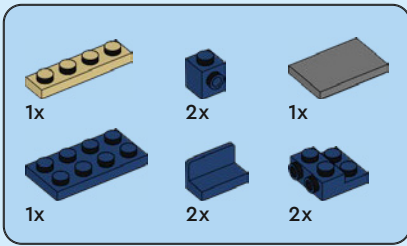




2x

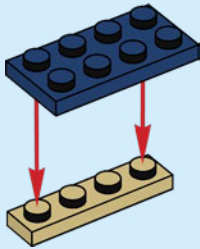
103



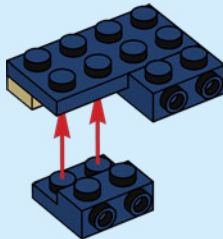


104

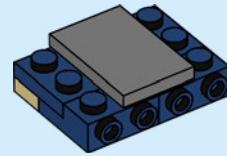
1



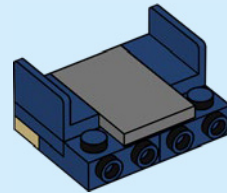
2



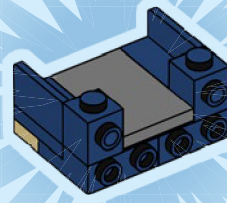
3



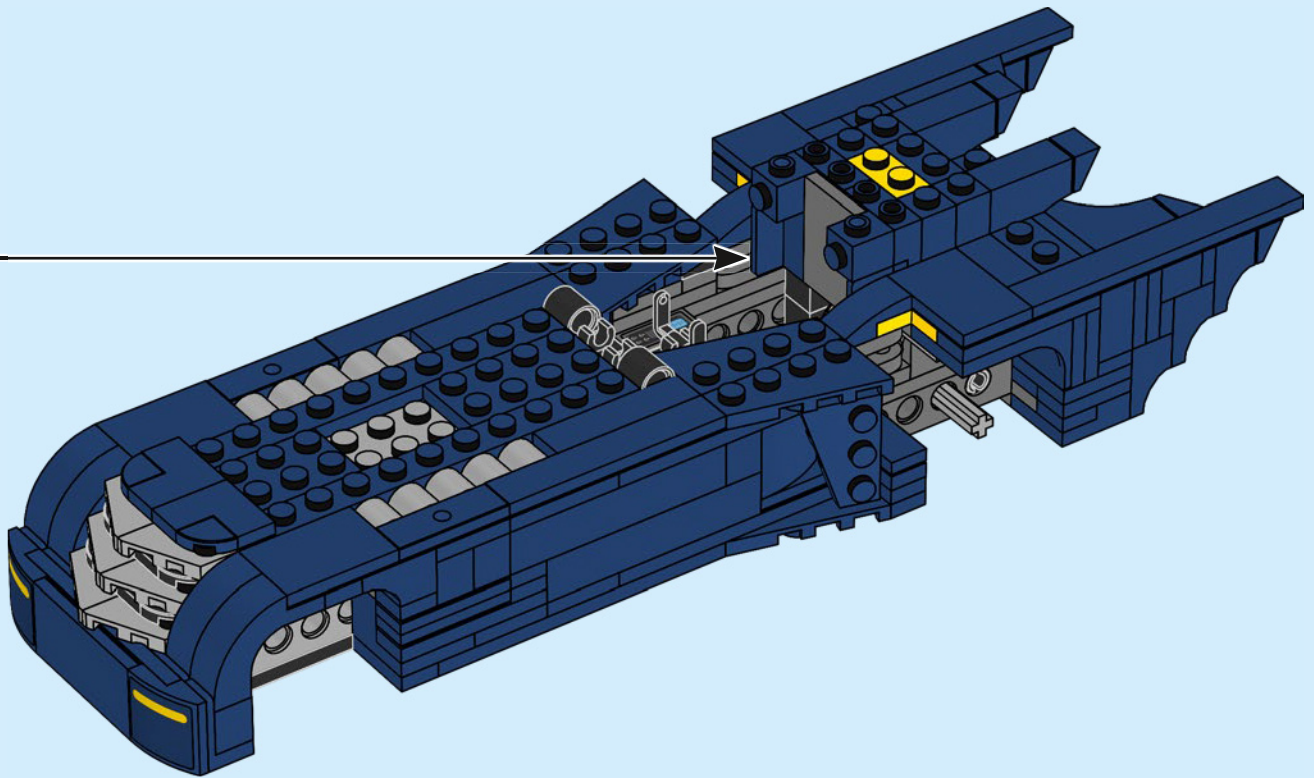
4



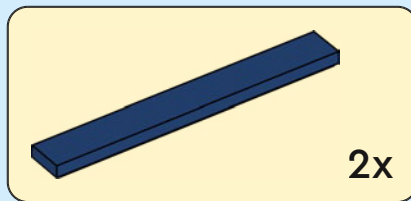
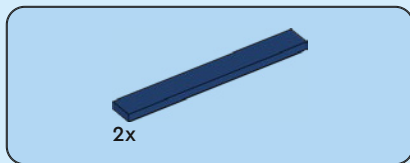
5



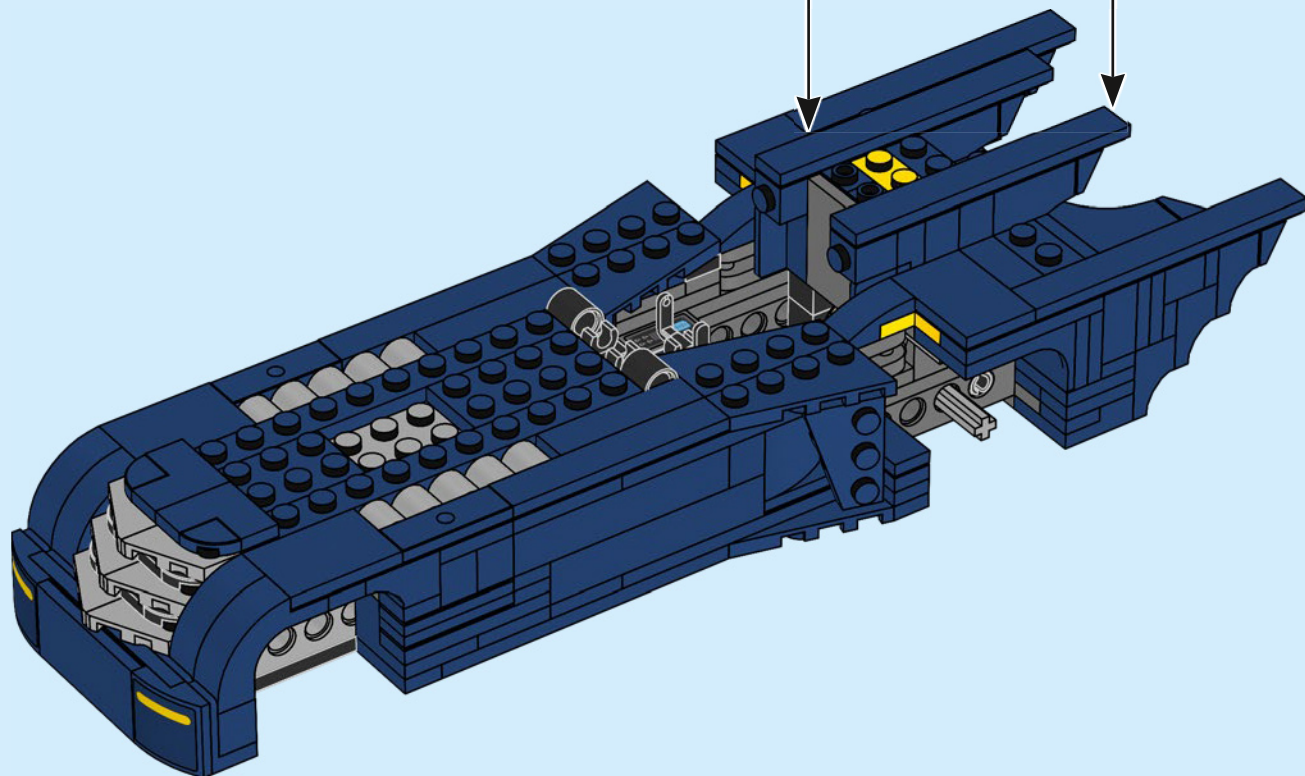








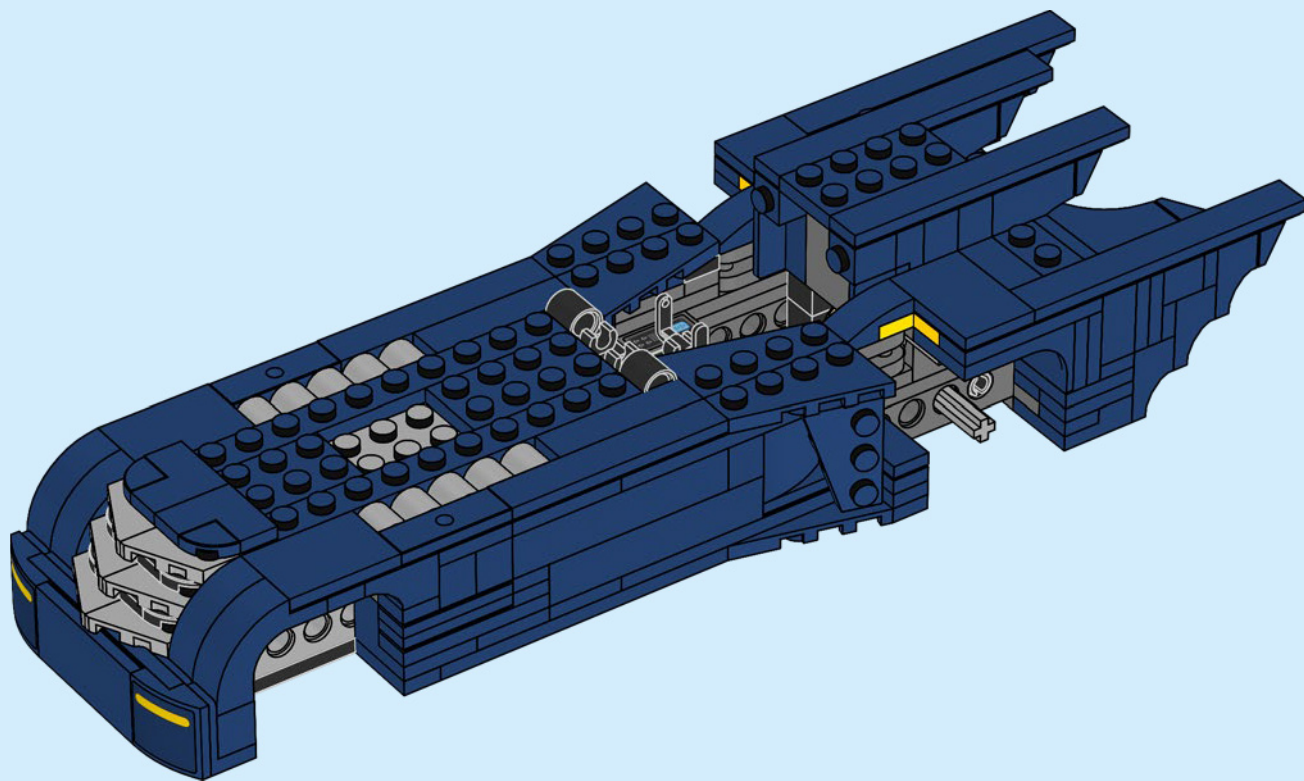
105

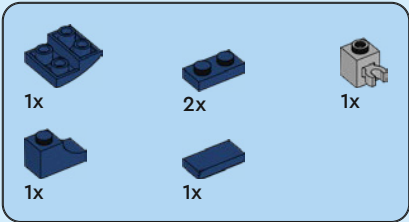




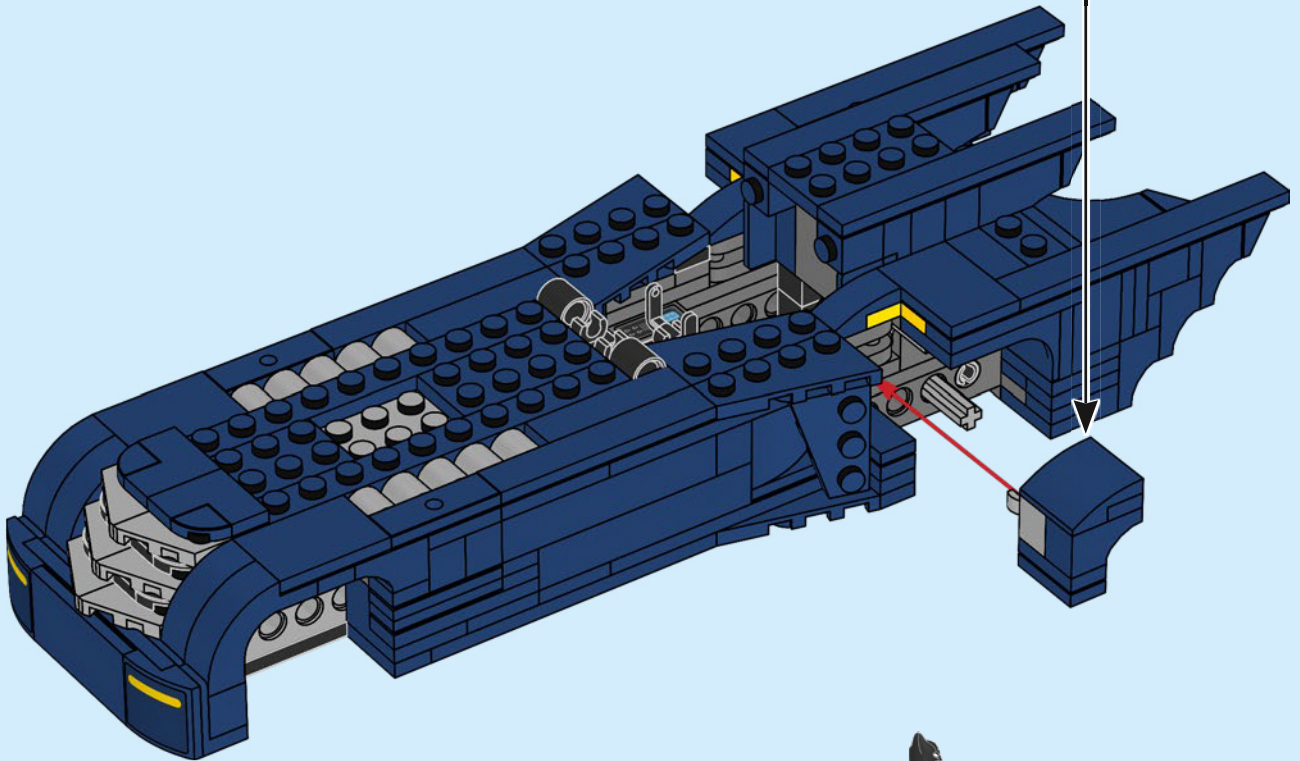
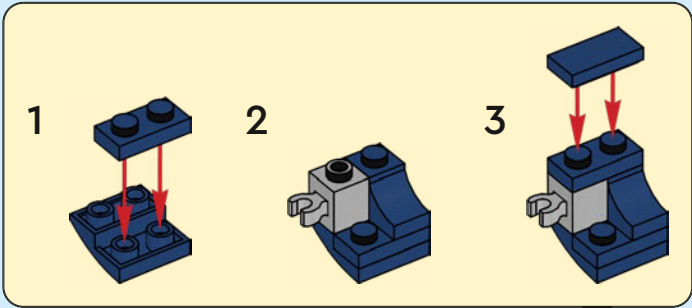
1x

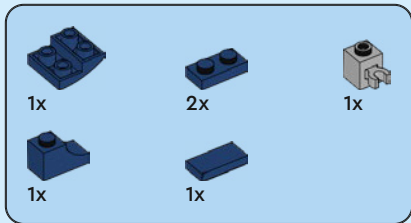
106



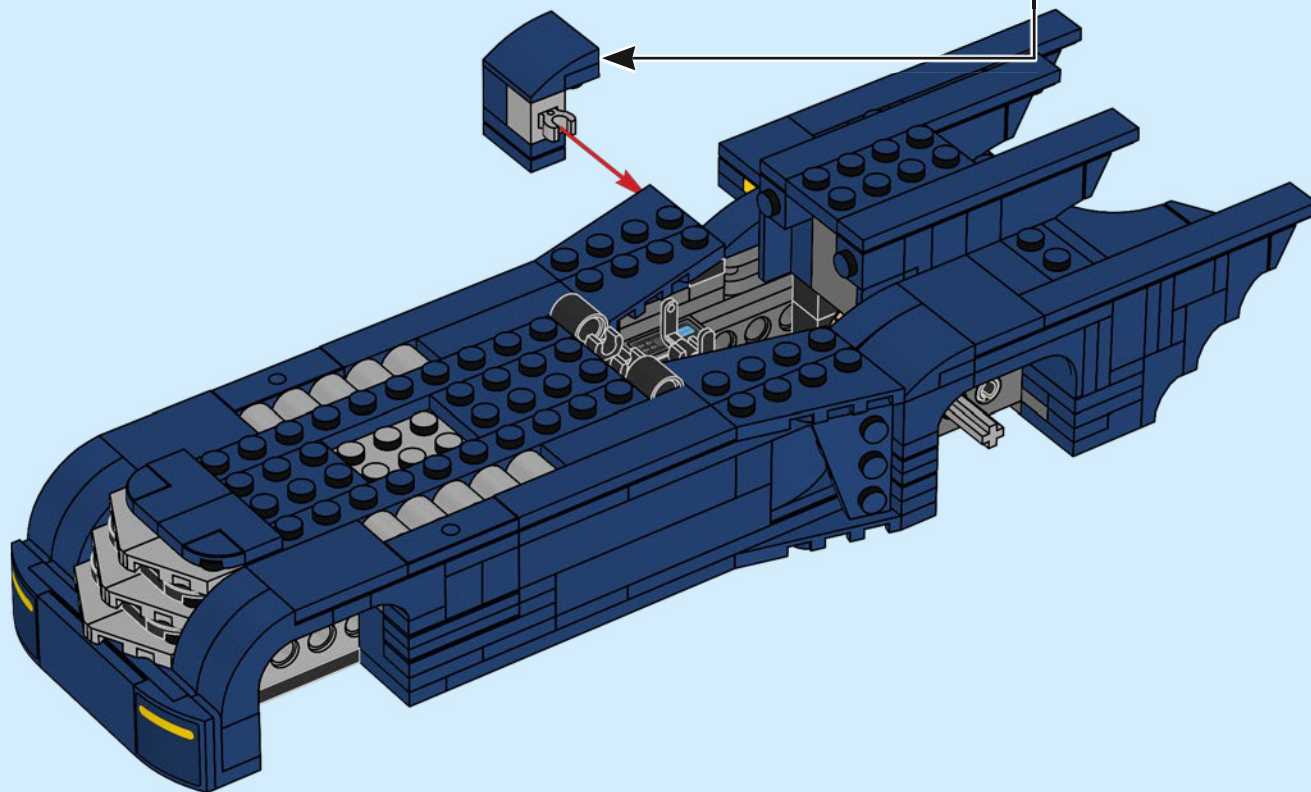
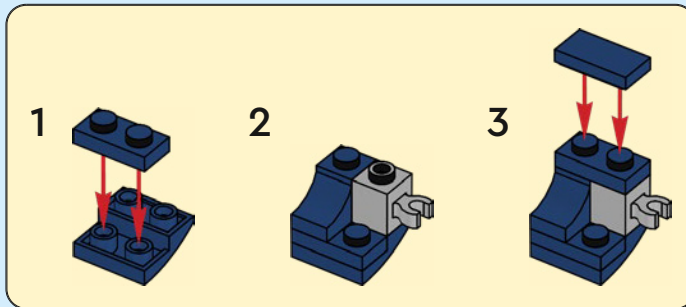


107

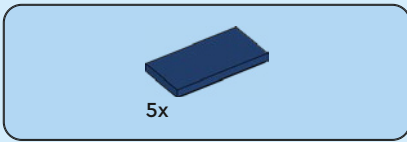




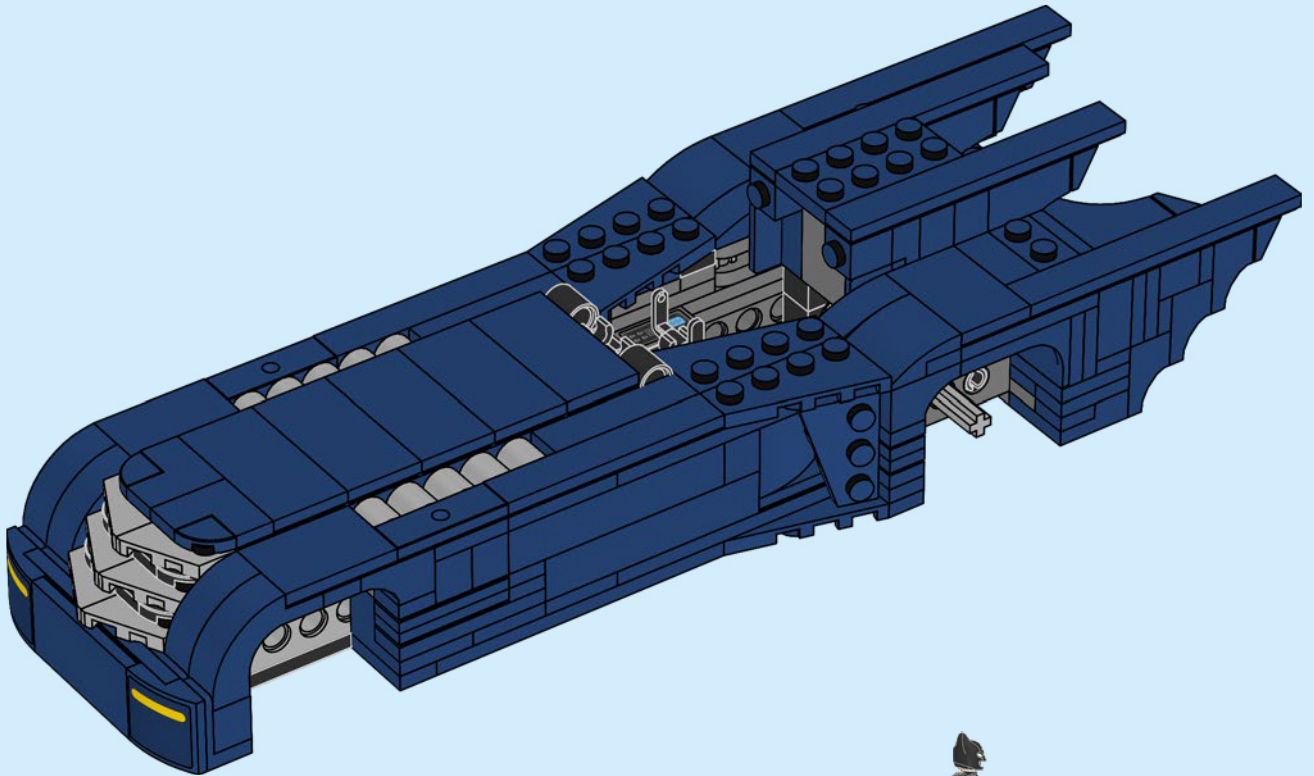
108

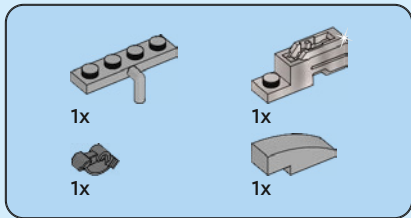




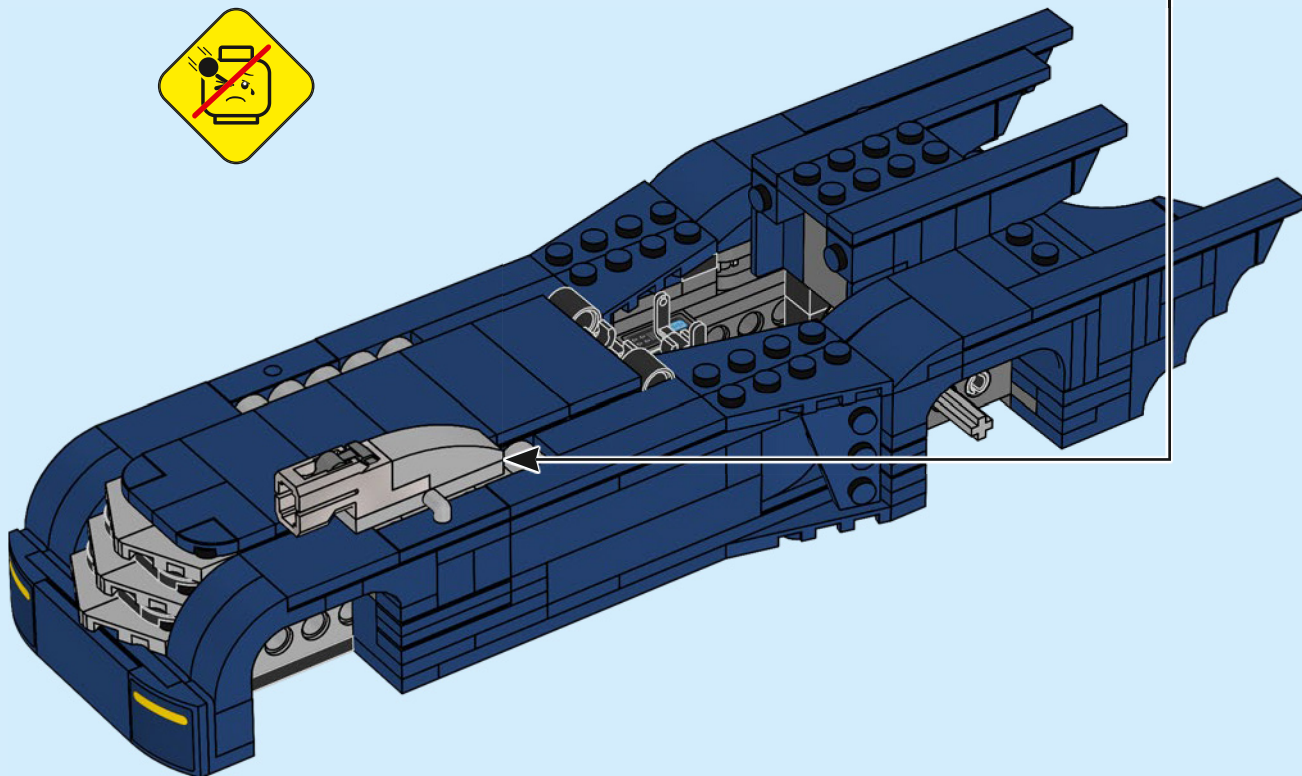
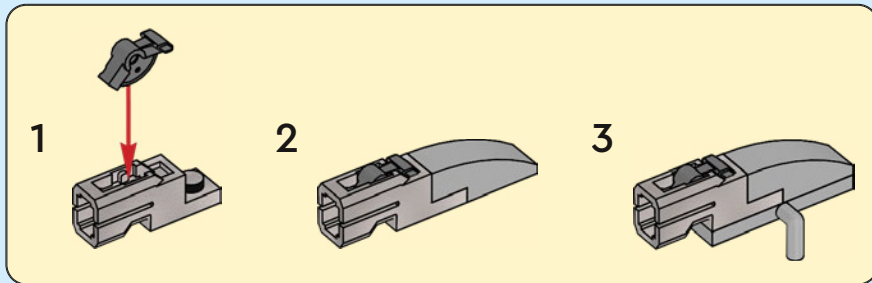


109

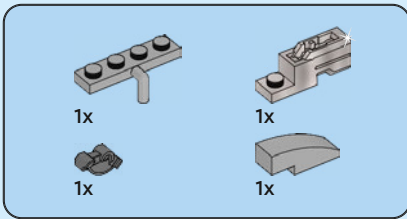




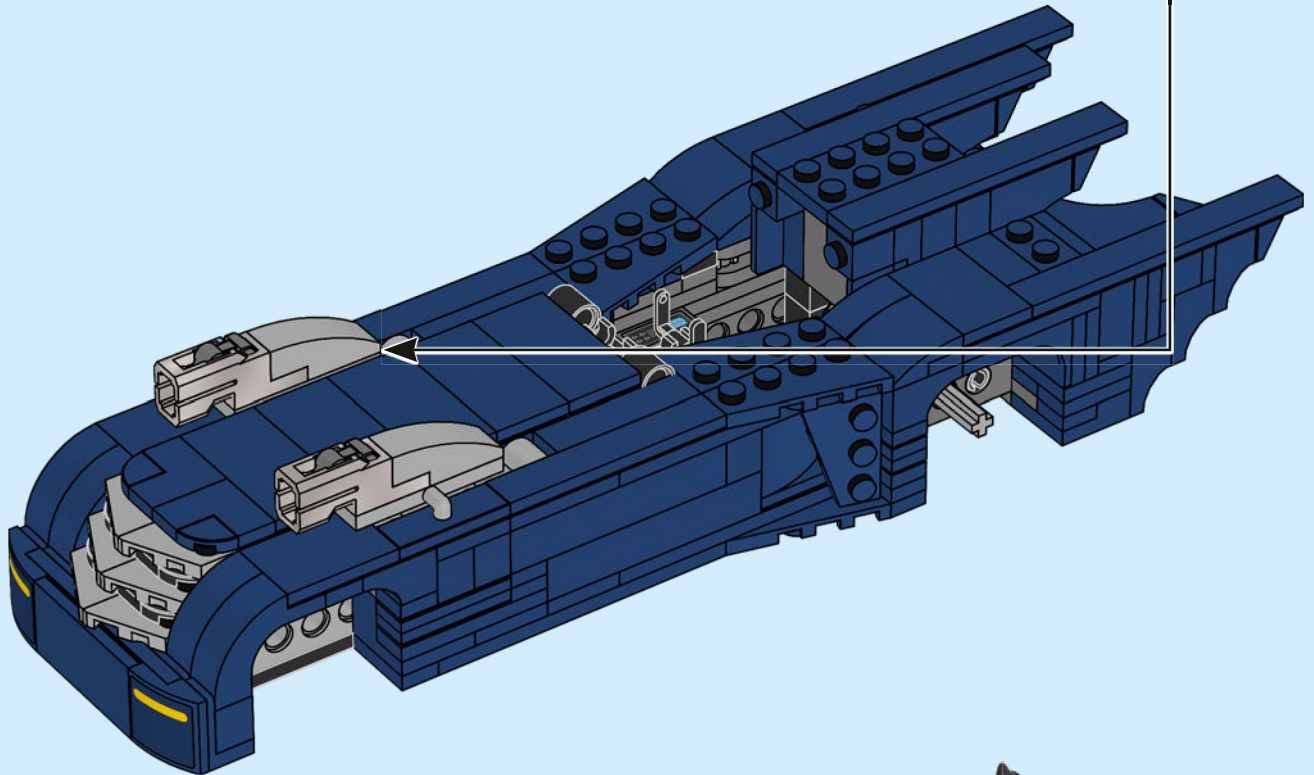
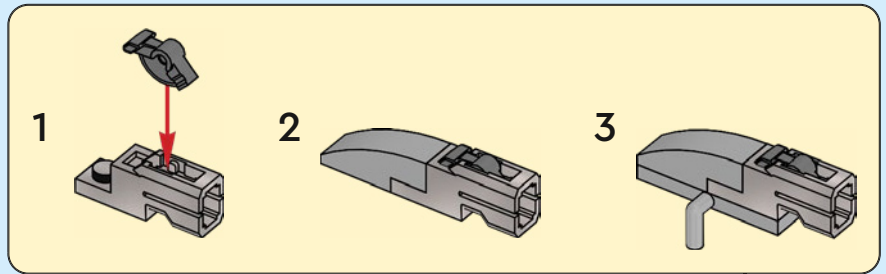
110

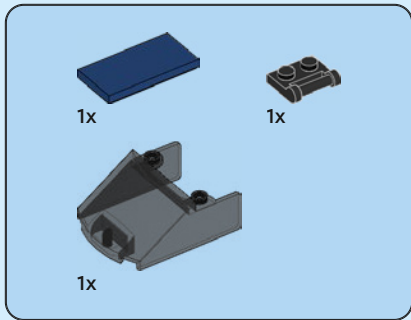




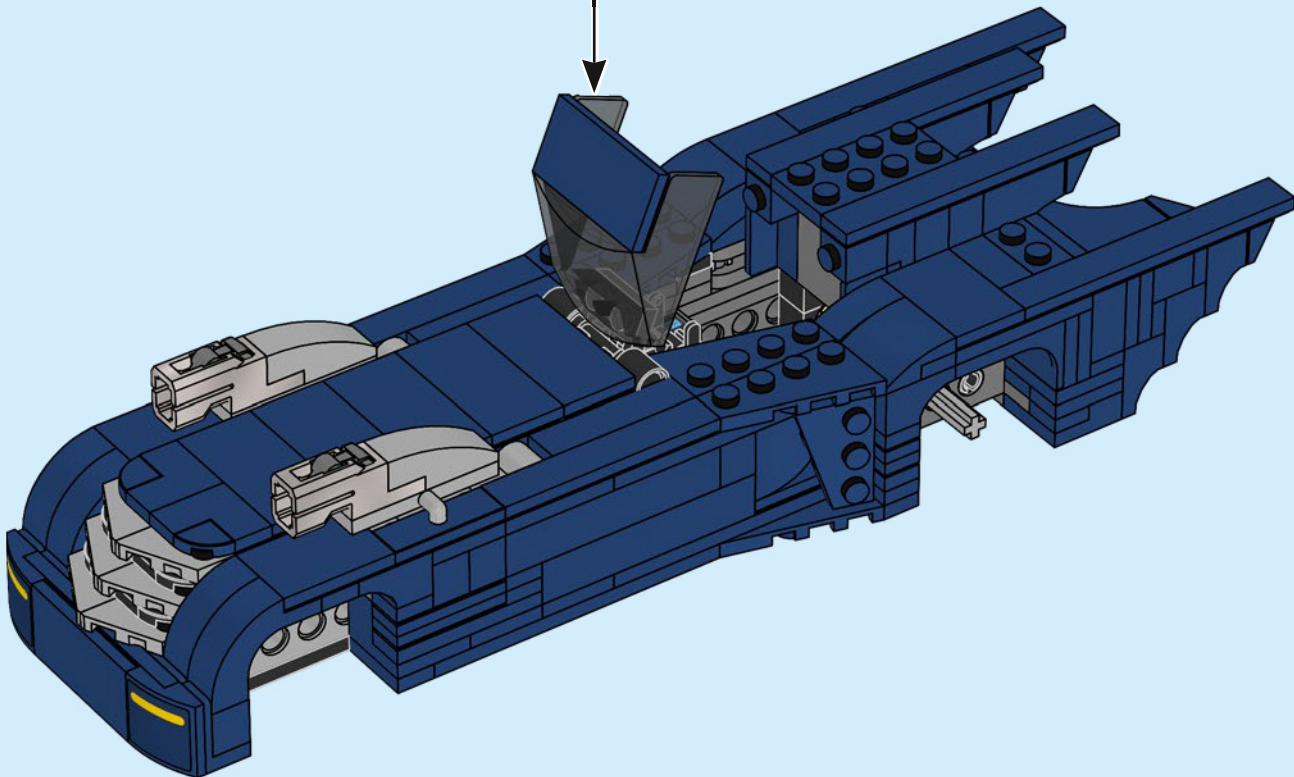
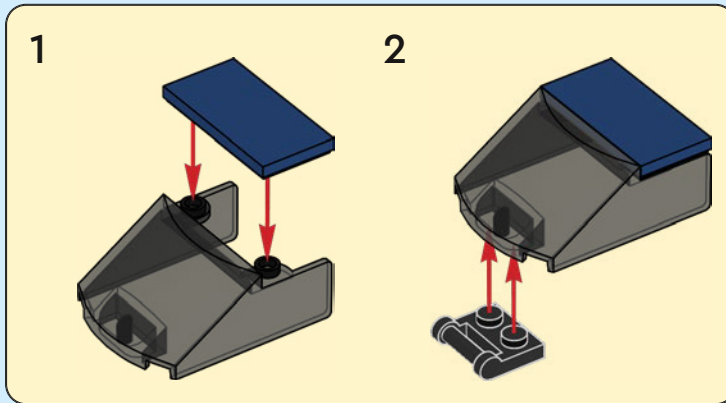


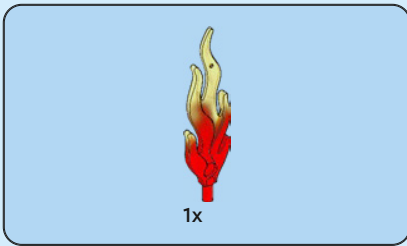
111



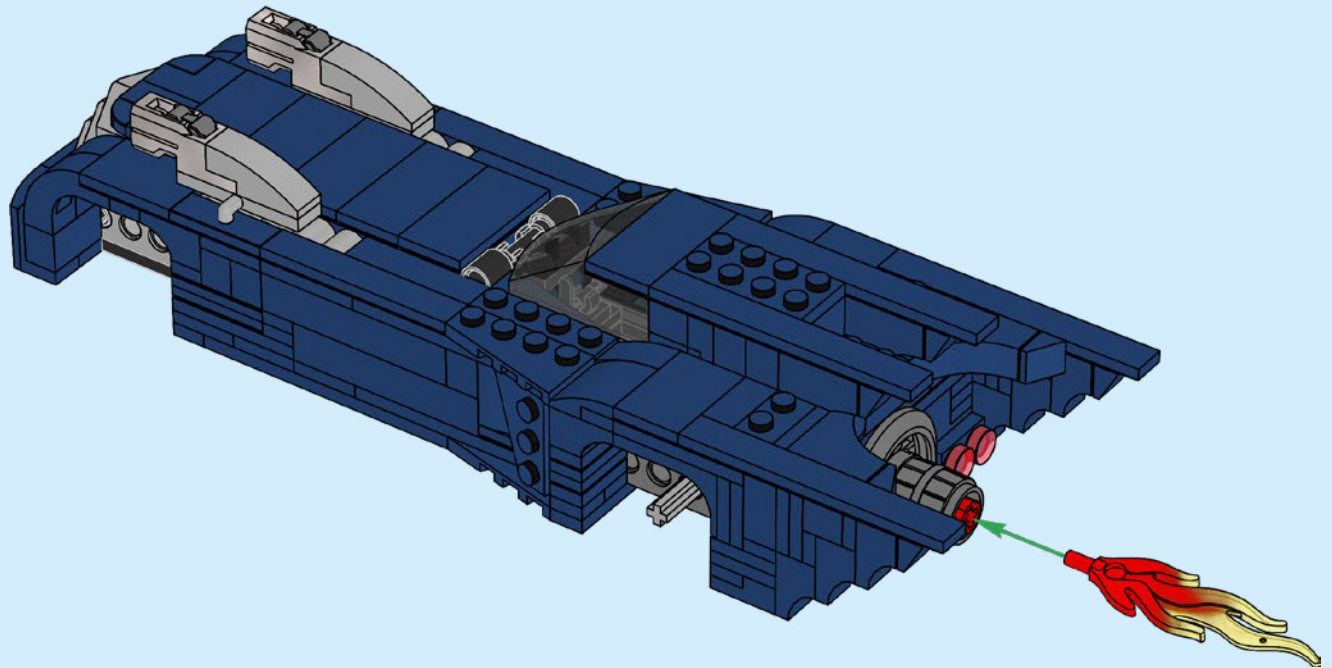


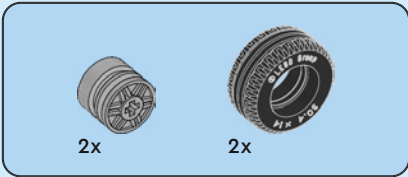
112



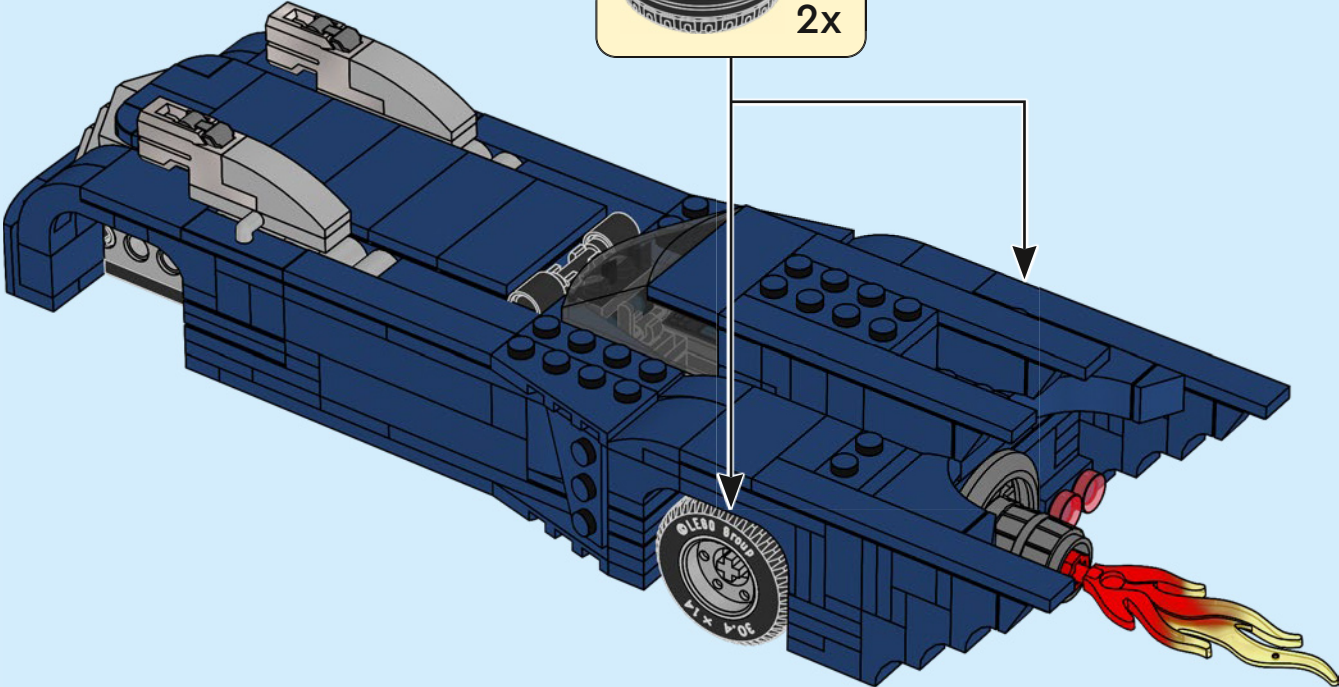
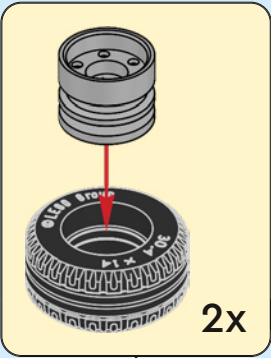


113

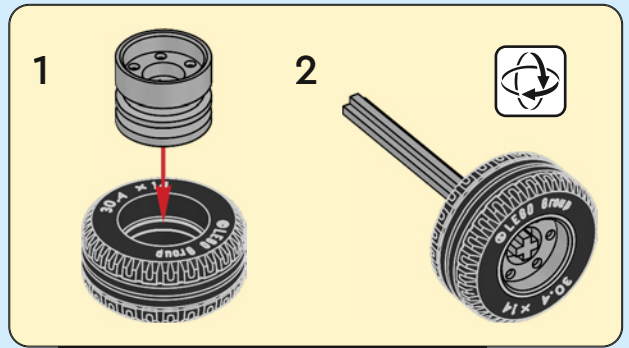
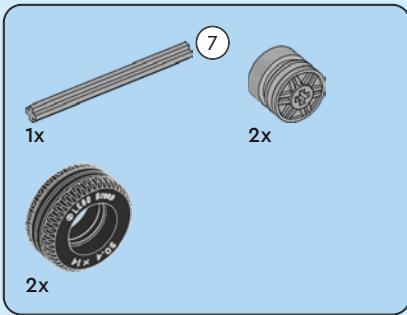




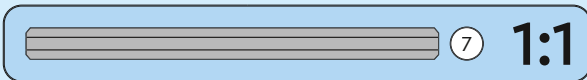
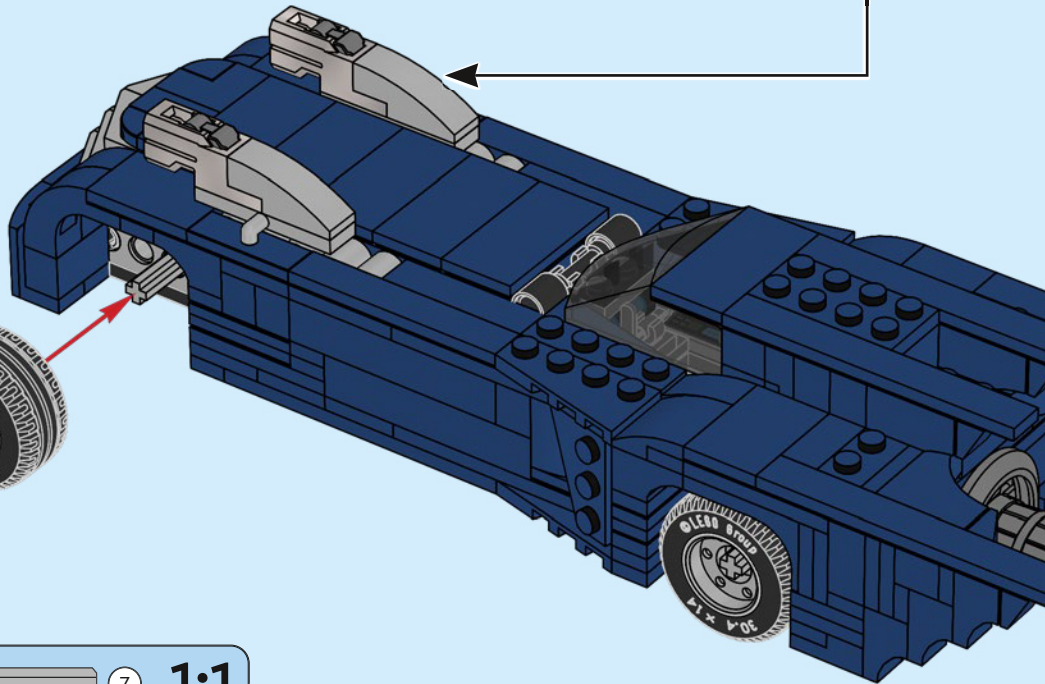
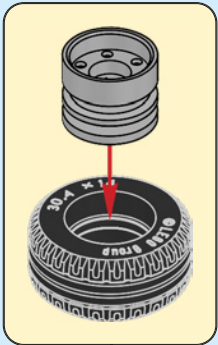
114

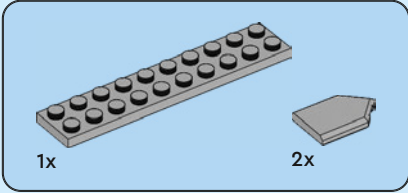
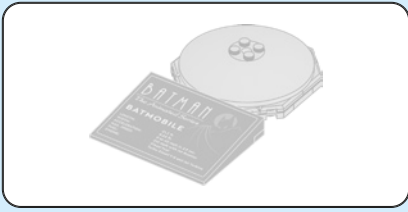




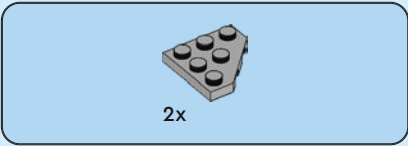
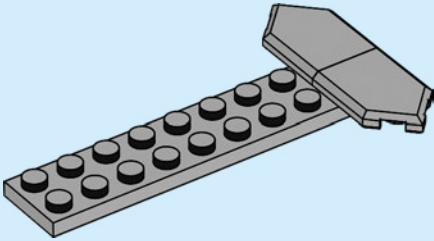


115

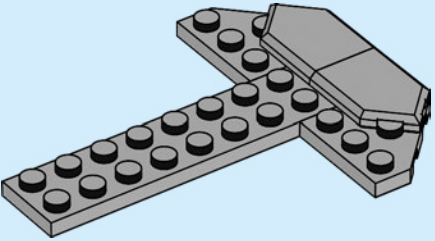




116



117

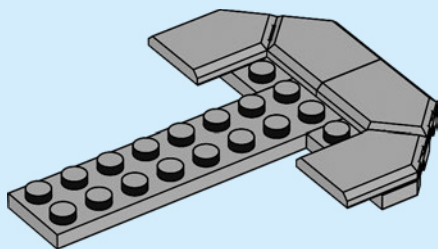






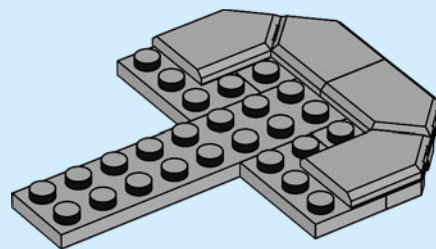
2x

118



2x

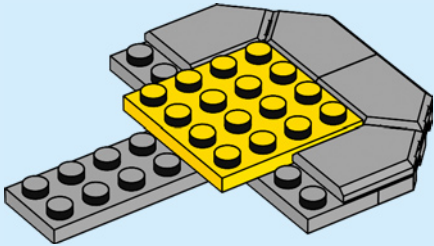
119





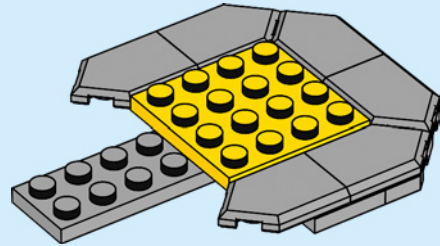
1x

120



2x

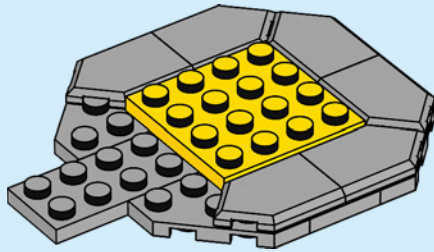
121





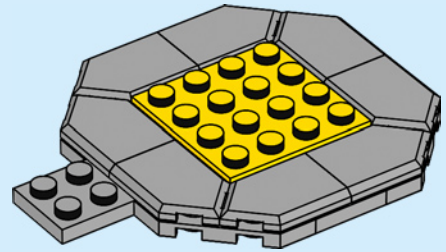
2x

122



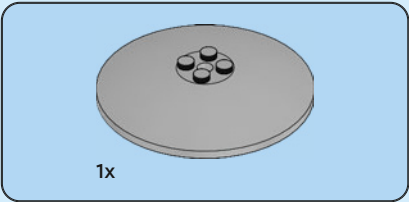
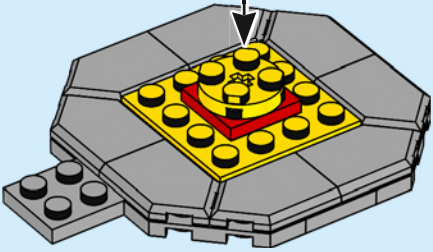
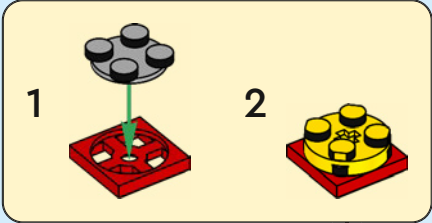
2x

123

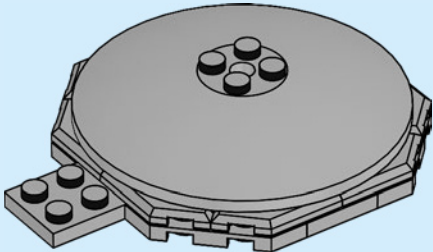


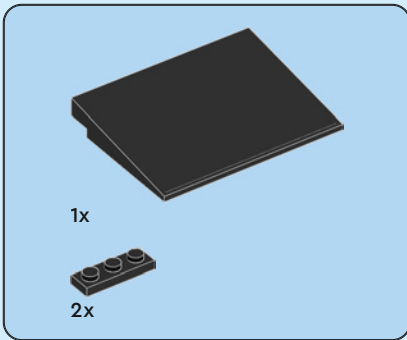


124

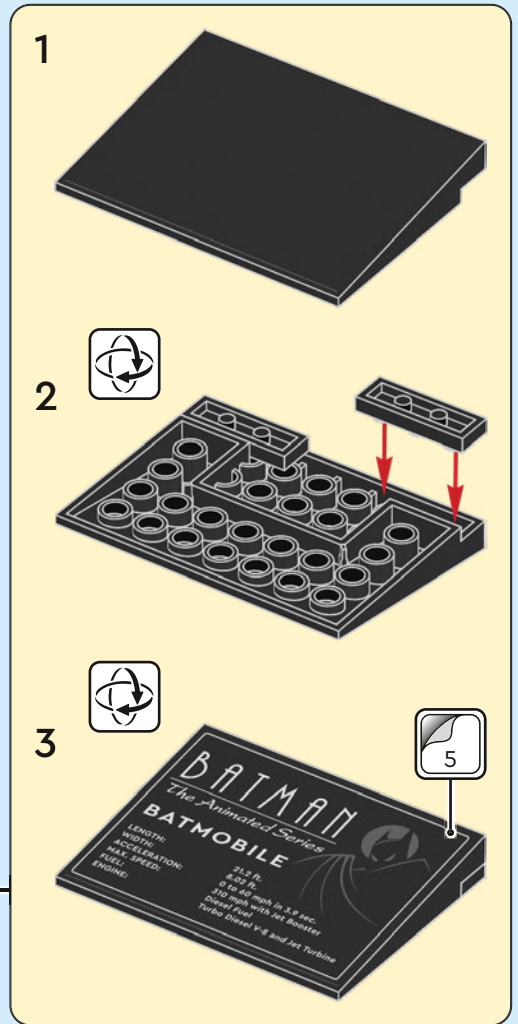
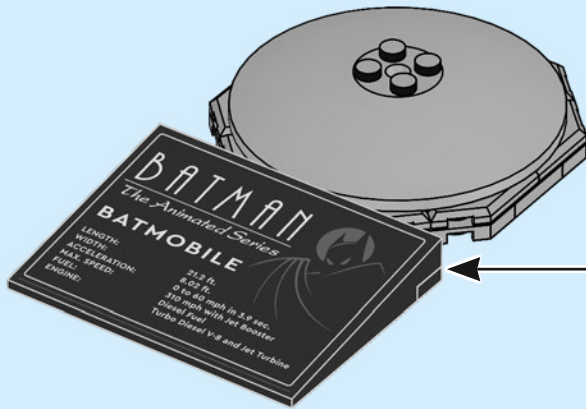


125

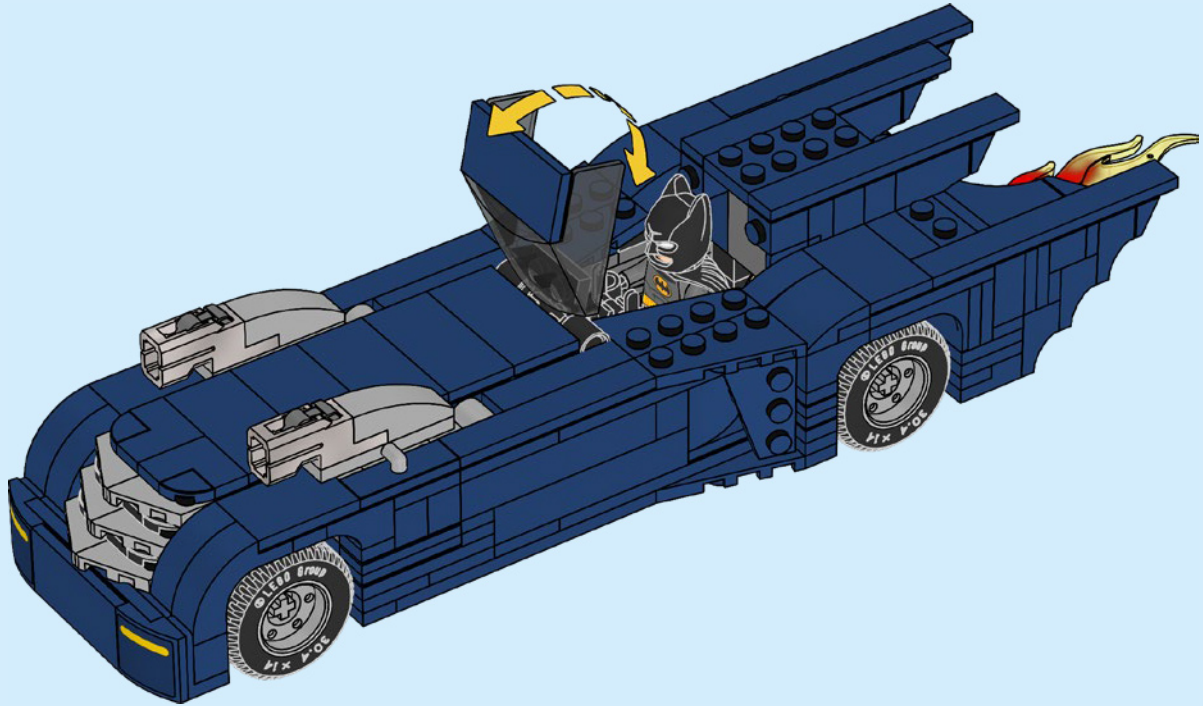




126



127

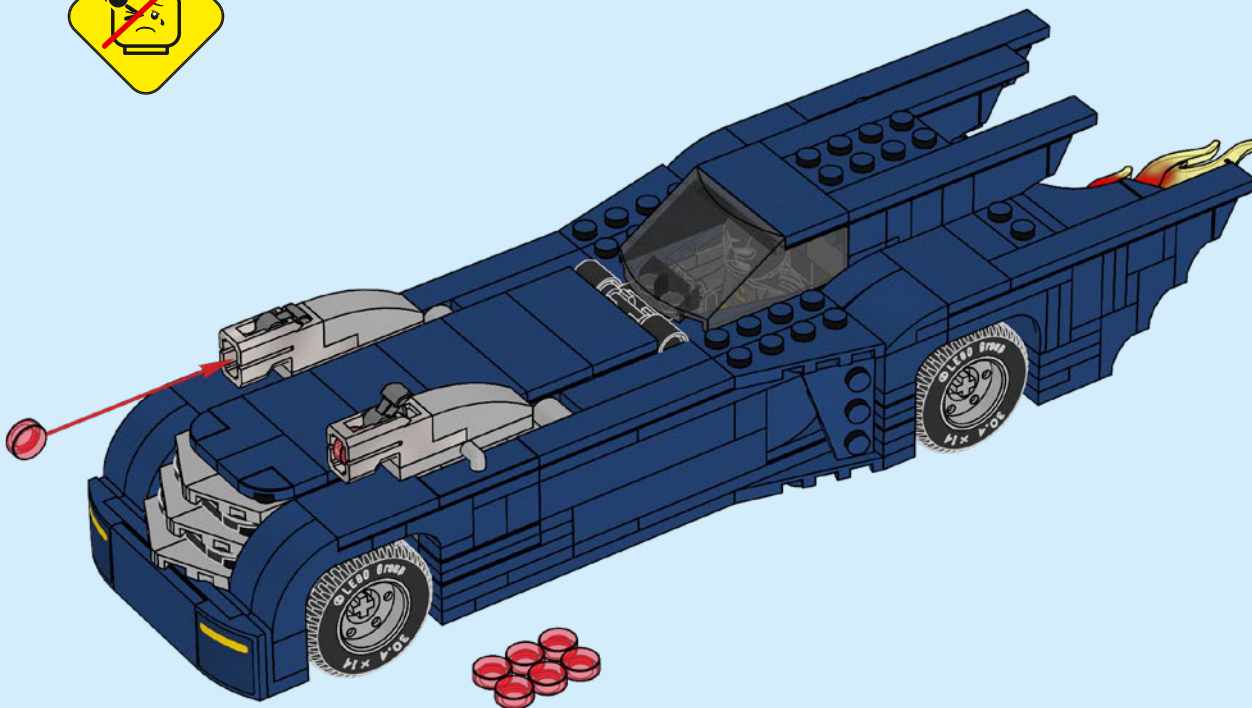


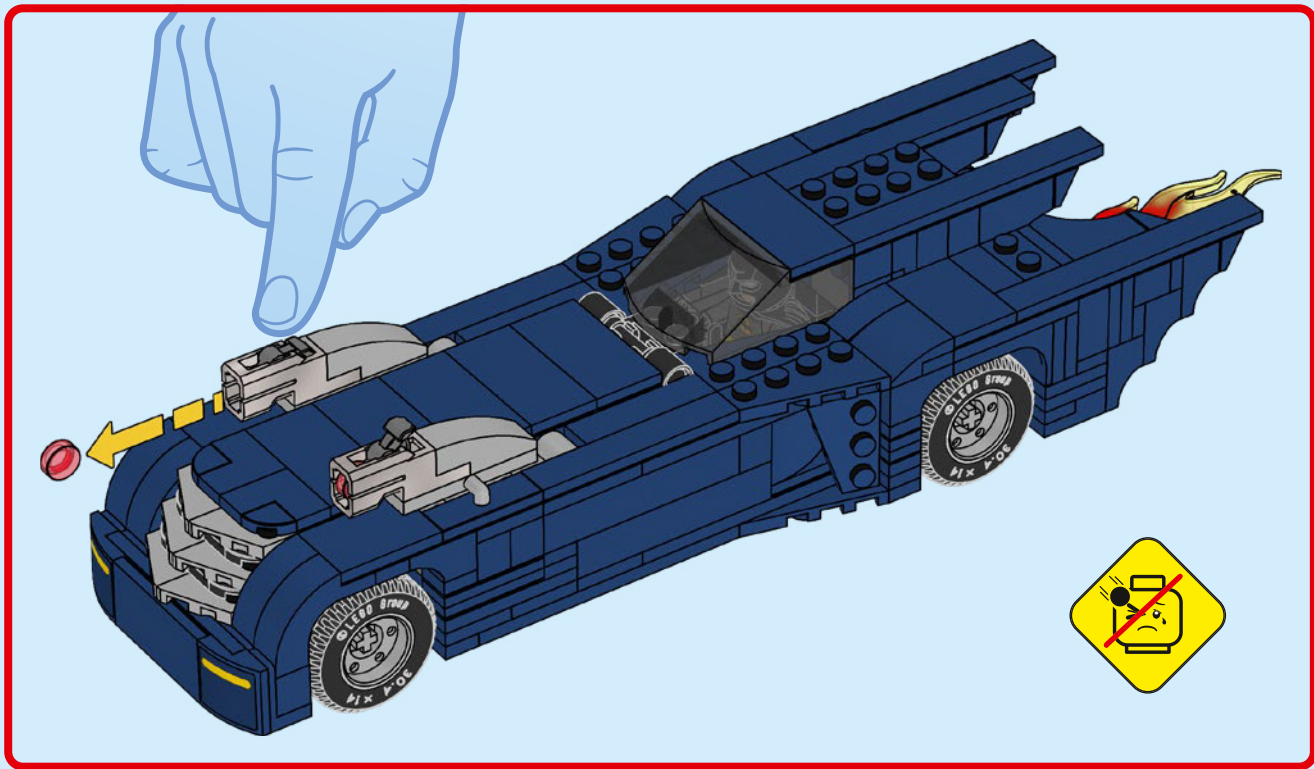


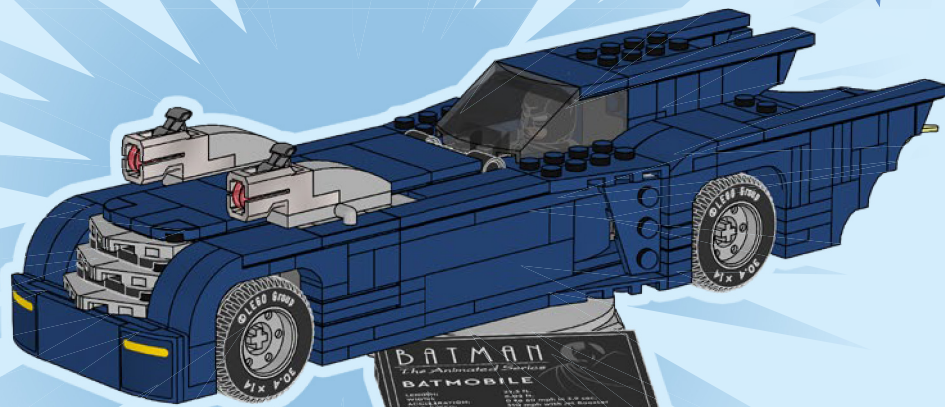


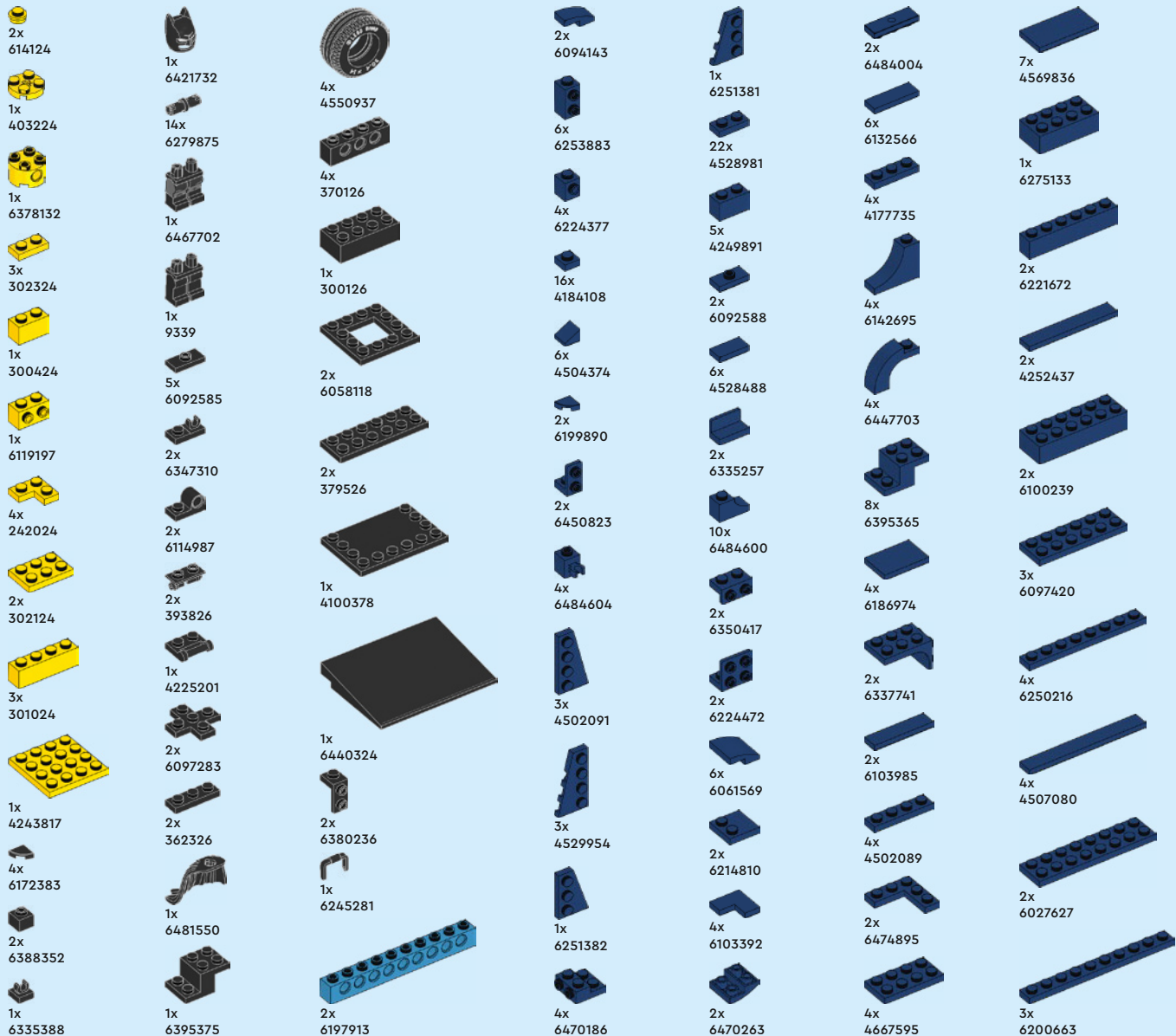
8x

128









1x  
6488964

2x  
4565452

1x  
6117975

2x  
4113233

1x  
6271820

1x  
6467705

1x  
4513174

1x  
6467707

1x  
368021

1x  
6476636

1x  
6501241

1x  
302223

4x  
6299413

1x  
6170468

1x  
6159763

1x  
6481549

1x  
6182435

1x  
4616027

1x  
6508099

1x  
6483393

12x  
6258607

1x  
6489465

1x  
6172283

5

4x  
6322818

1x  
6492683

2x  
6345950

1x  
6345880

1x  
6258524

2x  
4211051

8x  
6390673

1x  
6278986

3x  
4211052

6x  
4211066

2x  
6117972

2x  
4210963

2x  
6344022

1x  
6484416

1x  
6187008

3x  
6360675

1x  
4211127

4x  
6413109

2x  
4211109

1x  
4211002

1x  
4260124

6x  
4210719

2x  
6395635

2x  
4210635

2x  
4211133

1x  
6096944

1x  
4535768

1x  
4211462

2x  
4211443

1x  
6262085

1x  
4211404

2x  
4211396

1x  
4211805

2x  
4211395

2x  
6345426

9

7

2x  
6173095

3x  
6163478

3x  
6163477

1x  
4540203

4x  
4490127

4x  
4211881

8x  
6245254

2x  
4251163

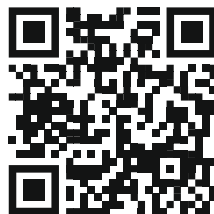
4x  
4211361

 [LEGO.com/service](https://www.LEGO.com/service)





YOU COULD **WIN**



Scan this QR code or go to **LEGO.COM/PRODUCTFEEDBACK** and give us your short feedback about this LEGO® set for a chance to win a cool LEGO prize.

Terms and Conditions apply\*



**EN: YOU COULD WIN.** Terms and Conditions apply\* **DE: Du könntest GEWINNEN.** Es gelten die Teilnahmebedingungen\* **FR: Tu pourrais GAGNER.** Des conditions s'appliquent\* **IT: Potresti VINCERE tu.** Termini e condizioni sono applicabili\* **ES: Puedes GANAR.** Aplican términos y condiciones\* **PT: Poderá GANHAR.** Aplicam-se termos e condições\* **ZH: 轻松获奖. 条款和条件适用\*** **PL: Szansa na WYGRANĄ.** Obowiązują warunki korzystania\* **CS: Máte šanci VYHRÁT.** Platí všeobecné smluvní podmínky\* **SK: Máte šancu VYHRAŤ.** Platia všeobecné zmluvné podmienky\* **HU: TE IS NYERHETSZ.** Felhasználási feltételek érvényesek\* **RO: Ai putea CÂȘTIGA.** Se aplică termeni și condiții\* **BG: Можете да СПЕЧЕЛИТЕ.** Има определени правила и условия\* **LV: Tu vari LAIMĒT.** Ir spēkā noteikumi un nosacījumi.\* **ET: Sul on võimalus VÕITA.** Kehtivad tingimused\* **LT: Jūs galite LAIMĖTI.** Taikomos sąlygos\*

\*[LEGO.com/productfeedback-terms](https://www.lego.com/productfeedback-terms)

LEGO and the LEGO logo are trademarks of the/son des marques de commerce du/son marcas registradas de LEGO Group.  
©2024 The LEGO Group.

BATMAN and all related characters and elements © & ™ DC and WB/EI. (s24)