



**SPEED**  
CHAMPIONS

76924



LEGO® Builder



### **Get excited about our new packaging!**

We're switching from plastic to paper-based packaging. That's why you might find a mix of paper and plastic in our boxes!

### **Nos nouveaux emballages vous emballeront !**

Nous passons des emballages en plastique aux emballages à base de papier. C'est pourquoi vous pourriez trouver un mélange de papier et de plastique dans nos boîtes !

### **¡Te presentamos nuestros nuevos empaques!**

Estamos sustituyendo las bolsas de plástico por bolsas con base de papel. ¡Por eso, puedes encontrar una mezcla de papel y de plástico en nuestras cajas!

**[LEGO.com/sustainable-packaging](https://www.lego.com/sustainable-packaging)**



Q LEGO® Builder

# BUILDER



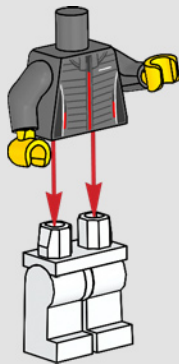
Apple and the Apple logo are trademarks of Apple Inc., registered in the U.S. and other countries and regions. App Store is a service mark of Apple Inc. Google Play and the Google Play logo are trademarks of Google LLC. Tencent and the Tencent logo are trademarks of Tencent Inc.

Q [LEGO.com/devicecheck](https://lego.com/devicecheck)

**EN** Ask parents' permission before going online | **DE** Eltern um Erlaubnis bitten, bevor du online gehst | **FR** Demande l'autorisation d'un parent avant d'aller en ligne | **IT** Chiedi il permesso ai tuoi genitori prima di andare online | **ES** Pídeles permiso a tus papás antes de conectarte a Internet | **PT** Pede autorização aos pais antes de acederes online | **ZH** 上网前应先征得父母的同意 | **PL** Poproś rodziców o zgodę, zanim wejdziesz do Internetu | **CS** Než půjdeš na internet, požádej rodiče o svolení | **SK** Skôr než pôjdeš na internet, vypýtaj si povolenie od rodičov | **HU** Kérj szülői engedélyt, mielőtt online csatlakoznál! | **RO** Cere permisiunea părinților înainte de a te conecta online | **BG** Поискайте разрешение от родител, преди да влезете онлайн | **LV** Pirms došanās tiešsaistē palūdz atļauju vecākiem | **ET** Enne Interneti kasutamist küsi vanematelt luba | **LT** Prieš prisijungdami prie interneto, atsiklauskite tėvų



1

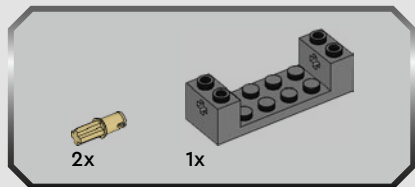


2

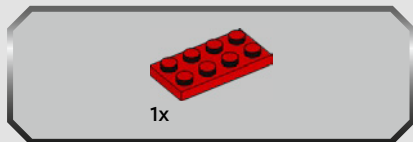
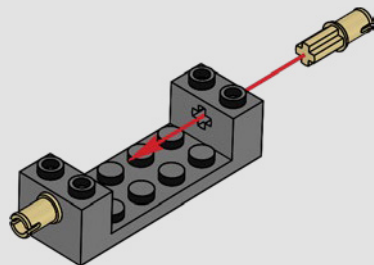


3

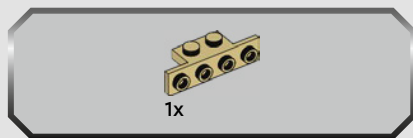
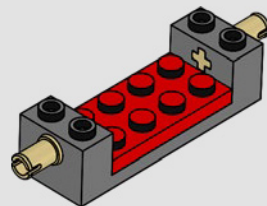




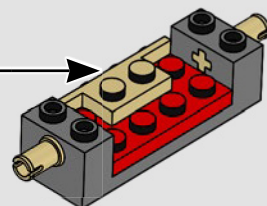
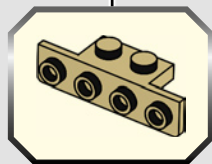
1

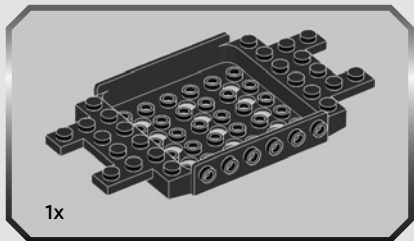


2

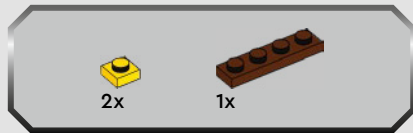
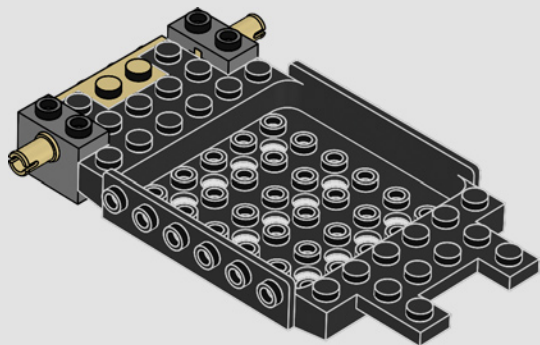


3

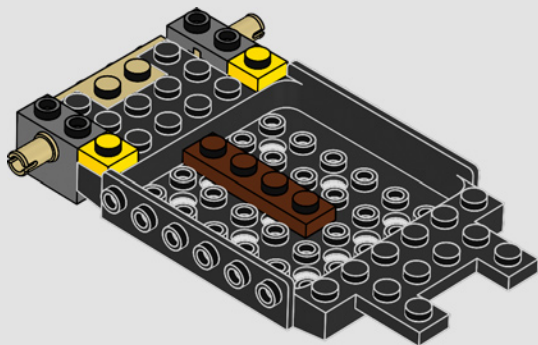




4

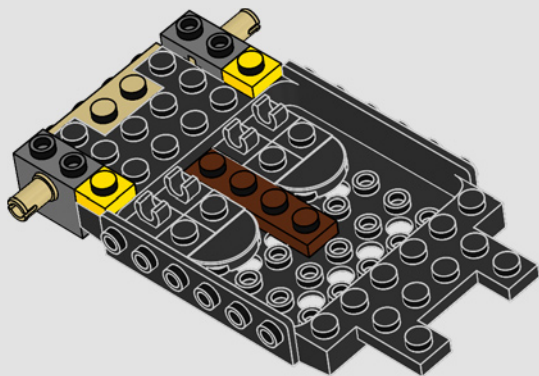


5

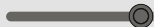
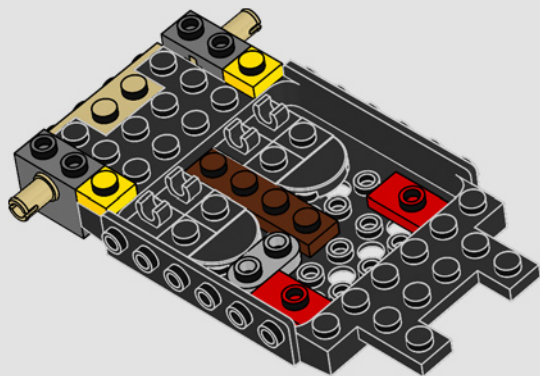




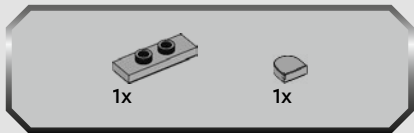
6



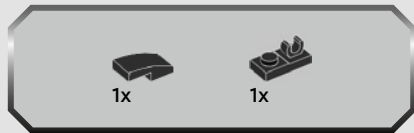
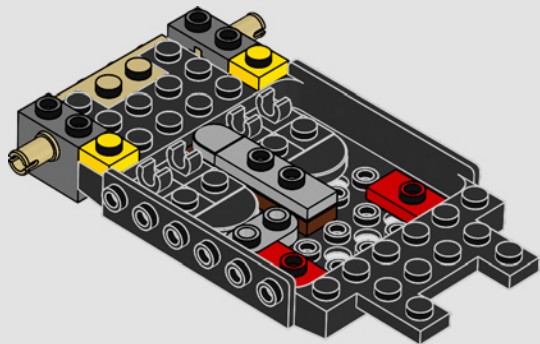
7



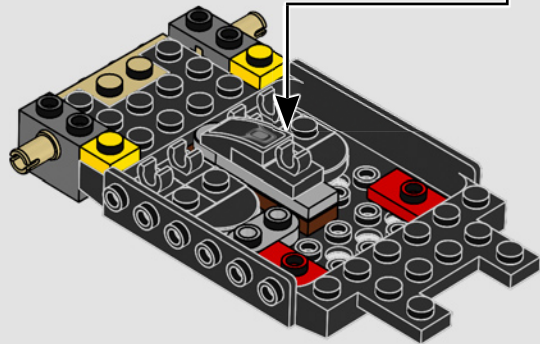
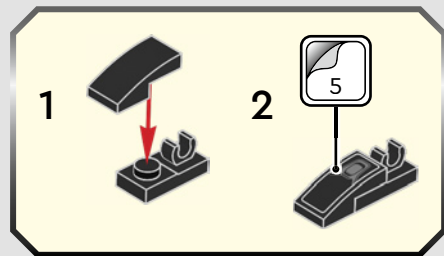




8



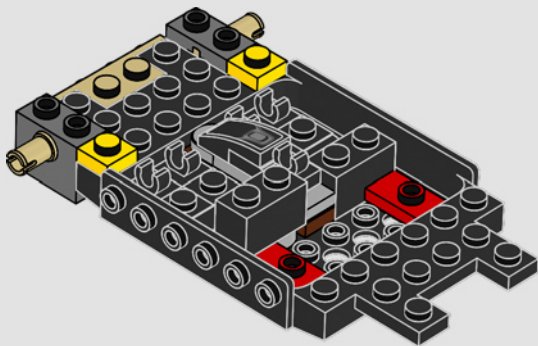
9





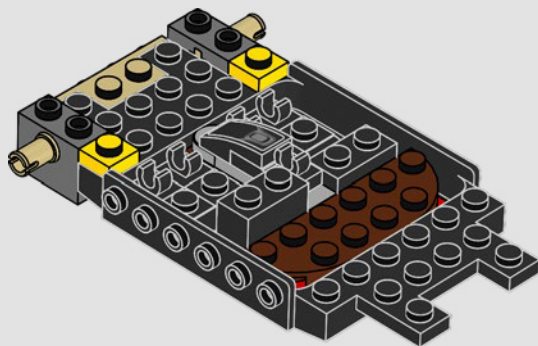
2x

10

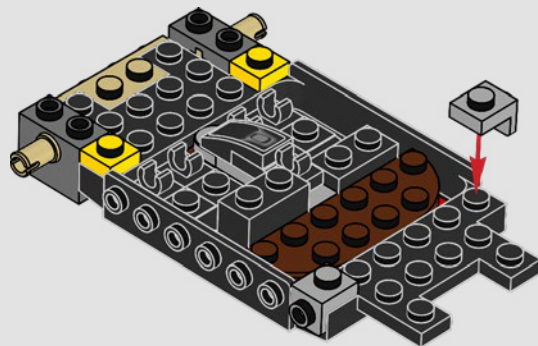


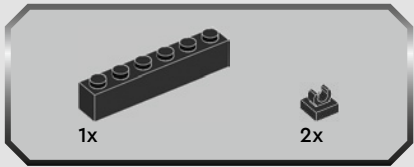


11

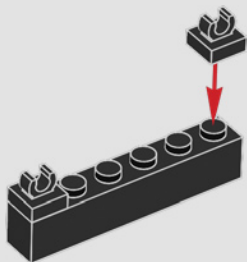


12

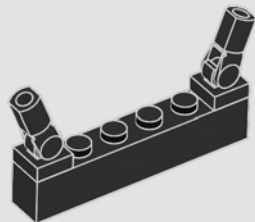




13



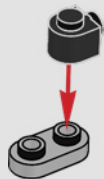
14





15

1



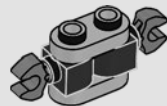
2



3



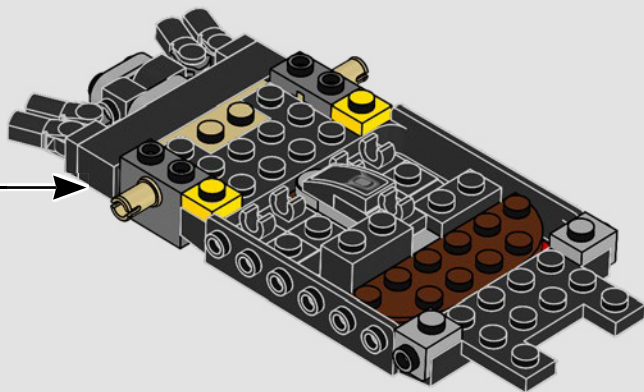
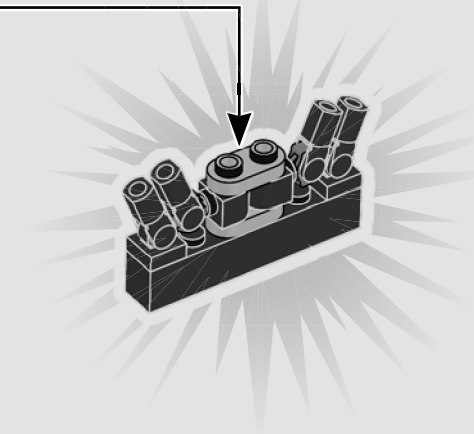
4

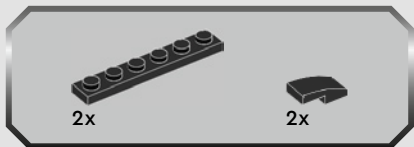


5

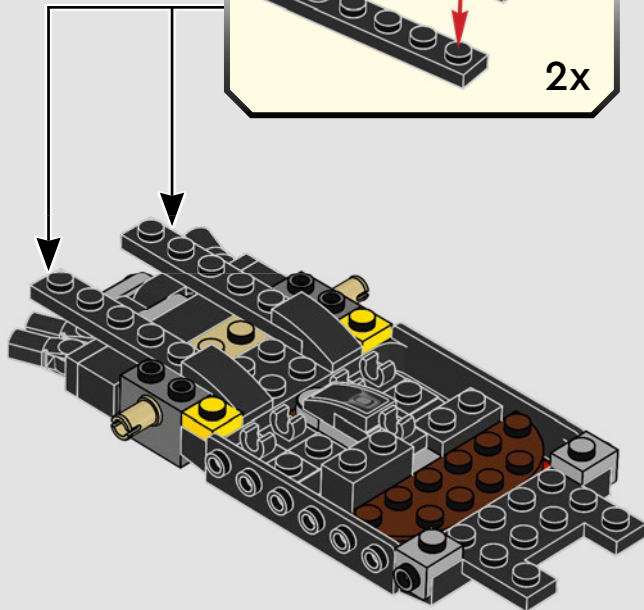
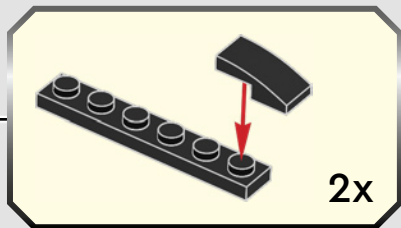


16



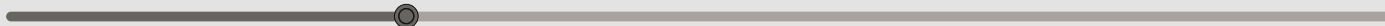
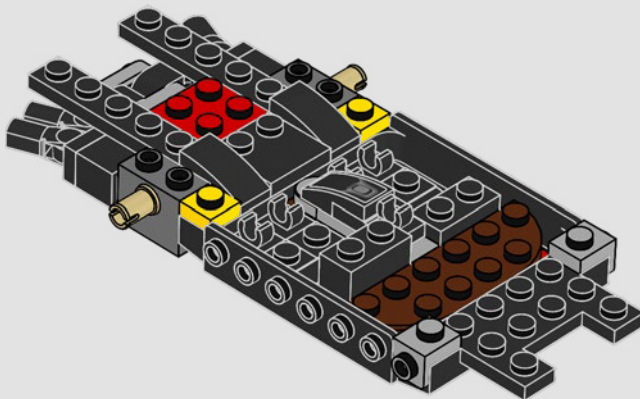


17

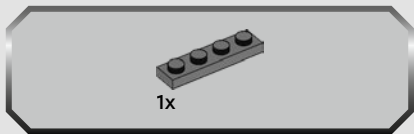




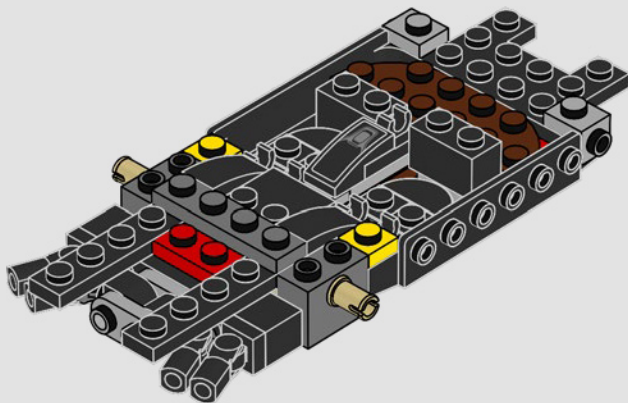
18





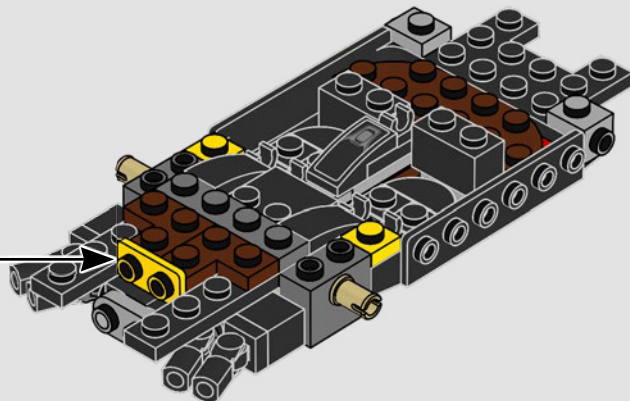
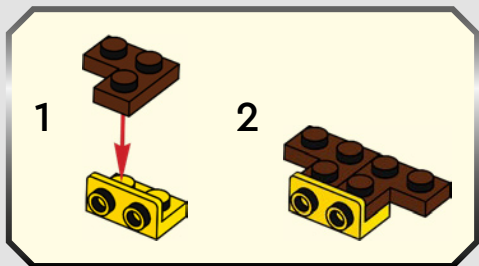


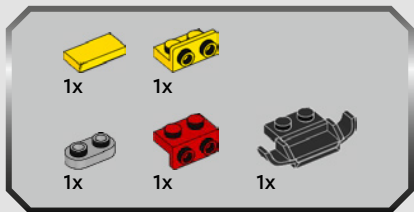
19





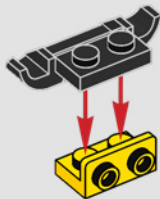
20





21

1



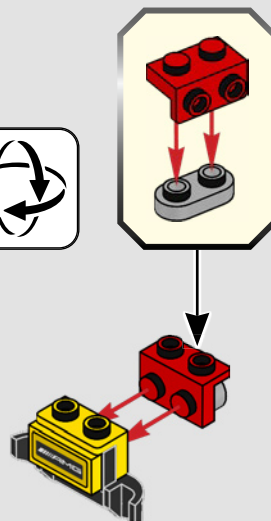
2

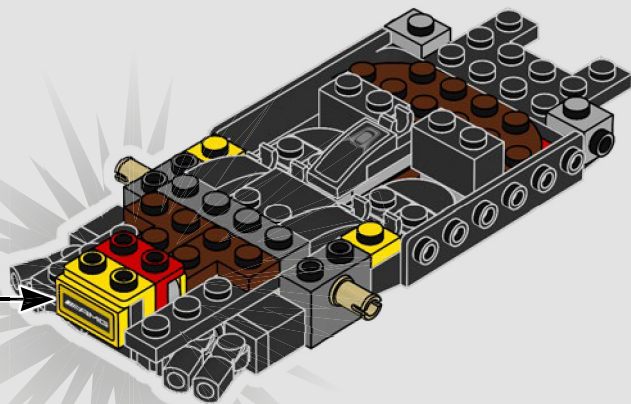


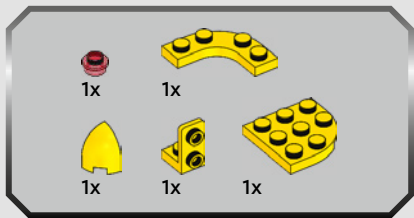
3



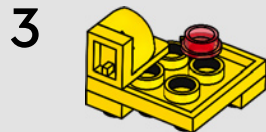
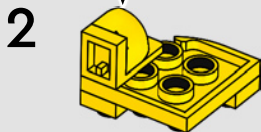
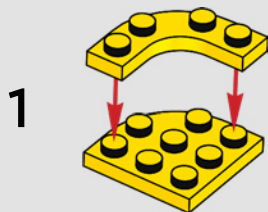
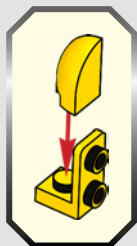
4

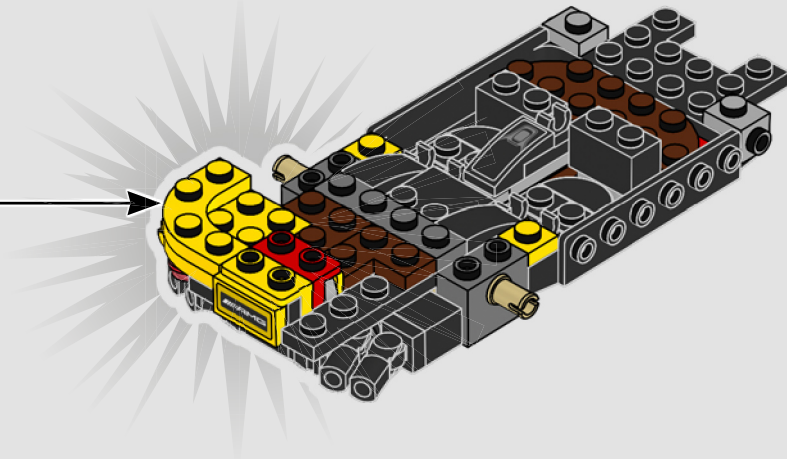


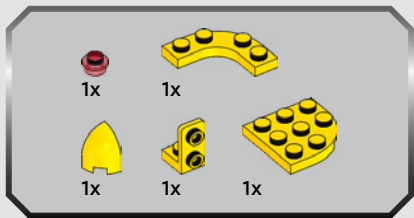




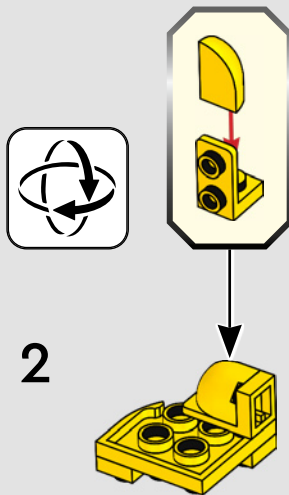
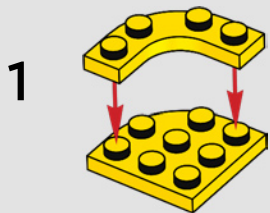
22

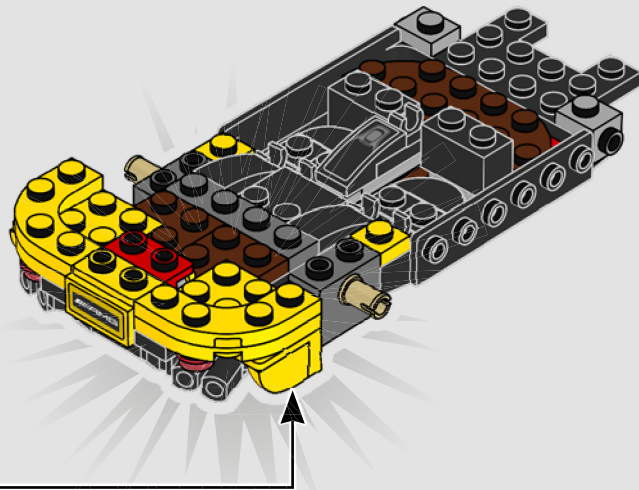






23

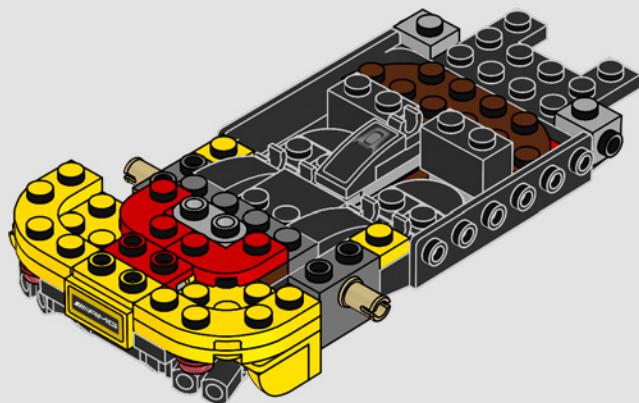




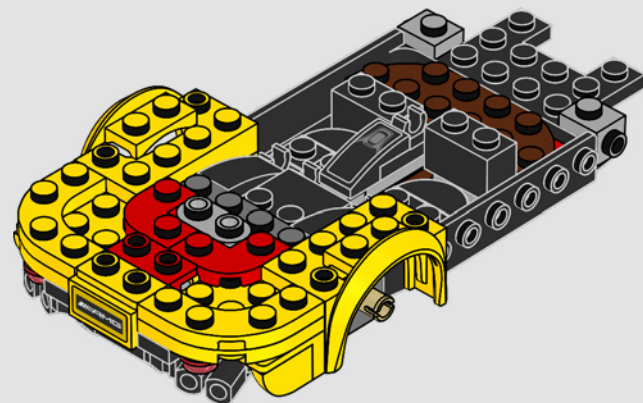


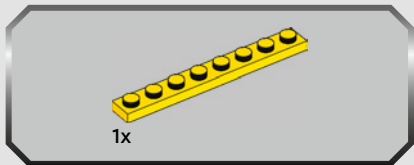


24

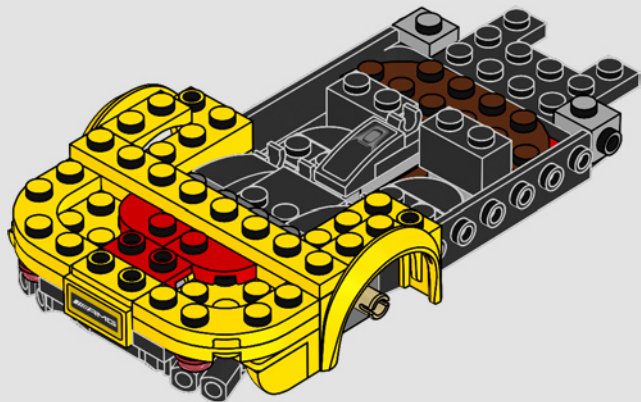


25



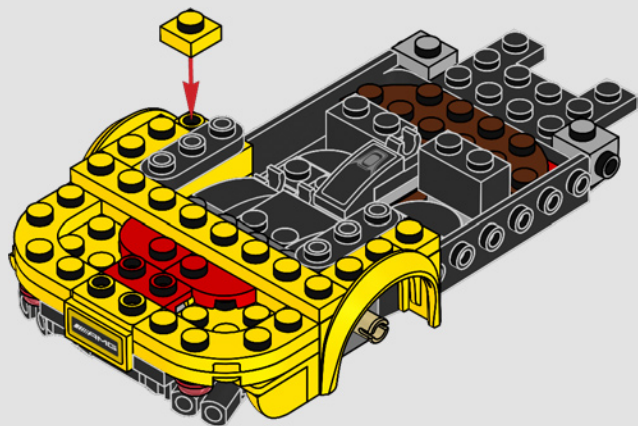


26

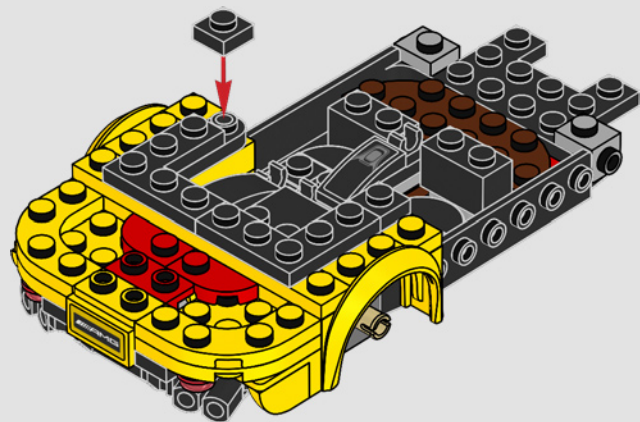




27

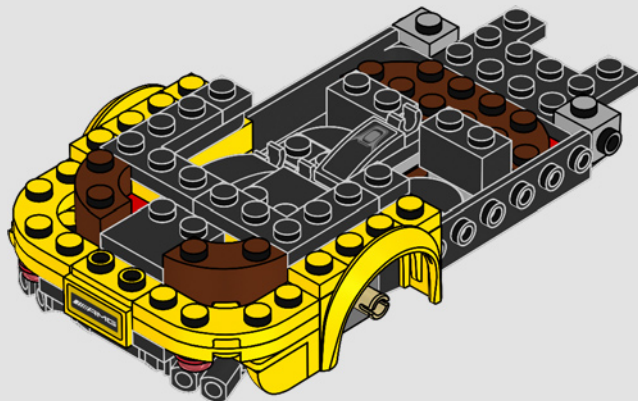


28



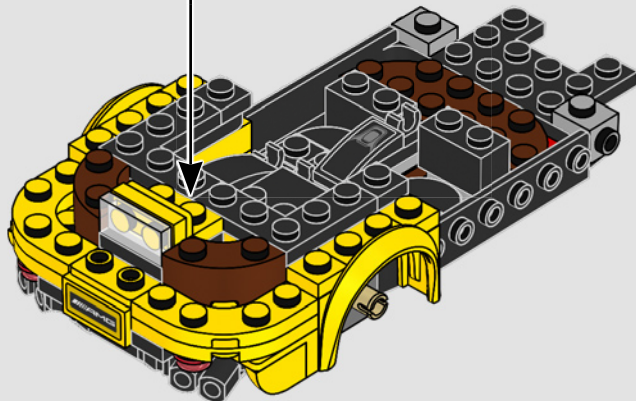
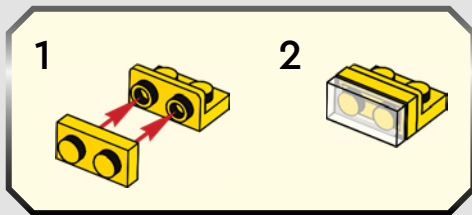


29





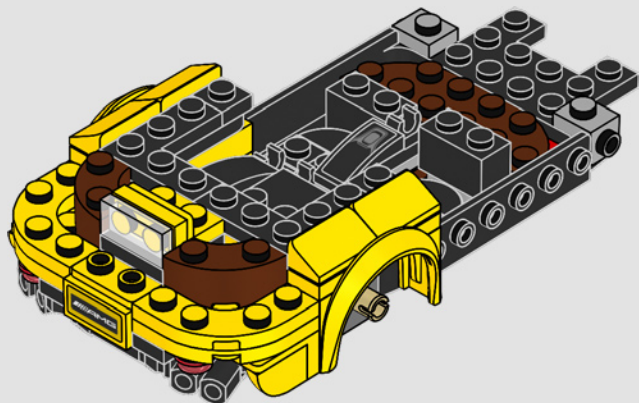
30





4x

31

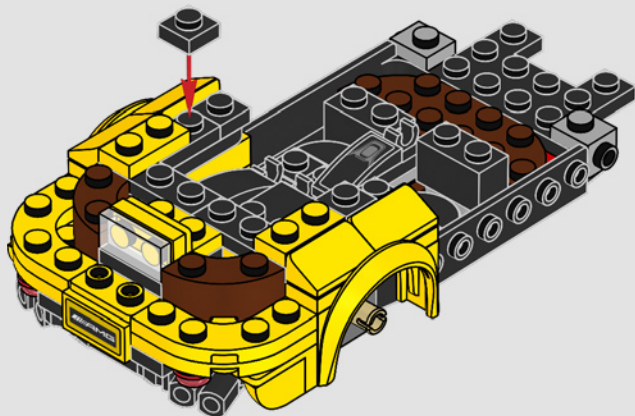


2x



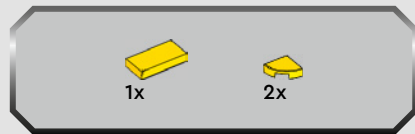
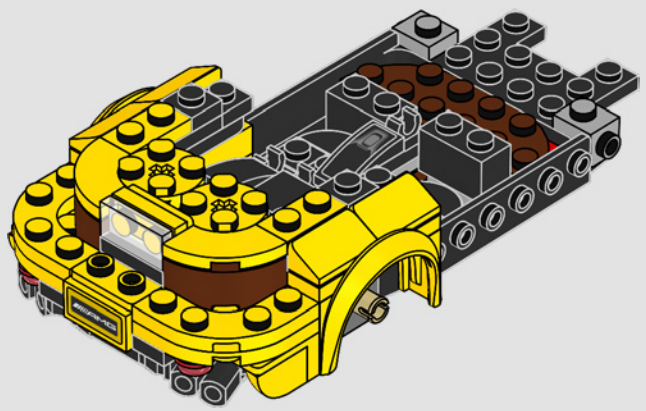
2x

32

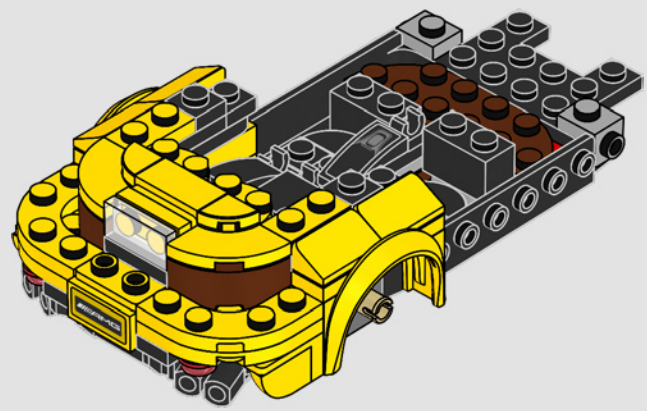




33

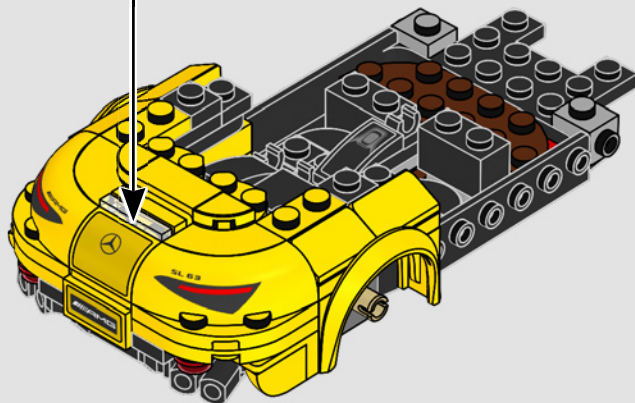
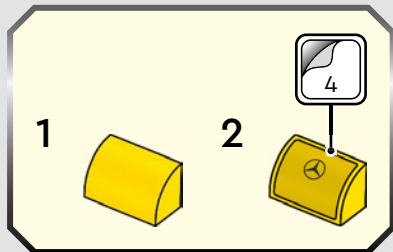


34

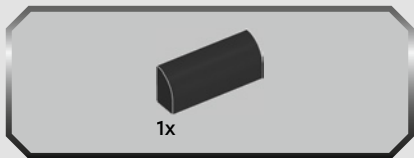




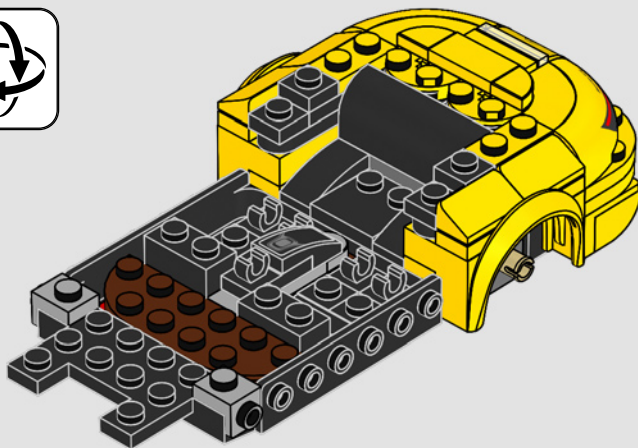
35

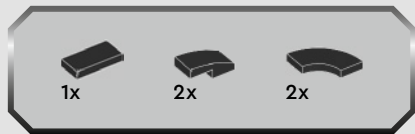




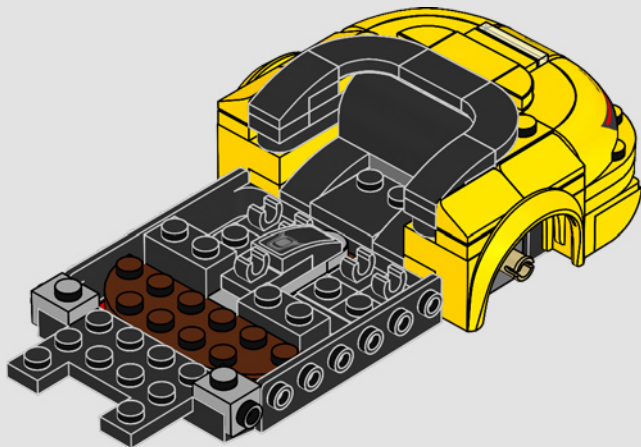


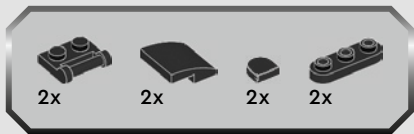
36



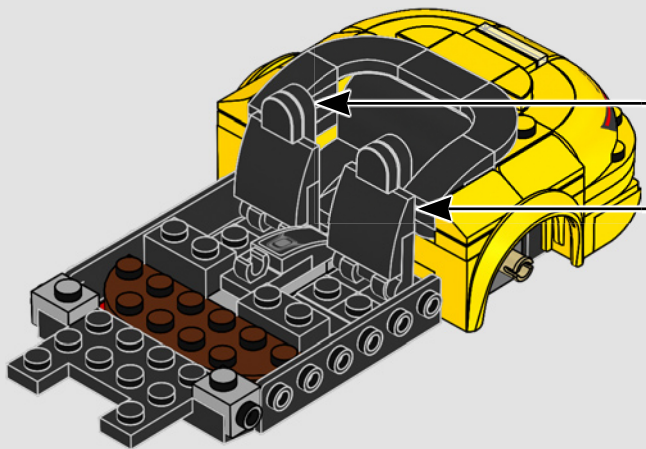
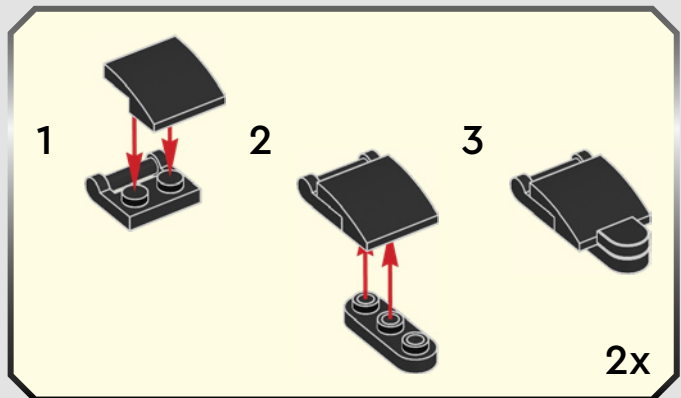


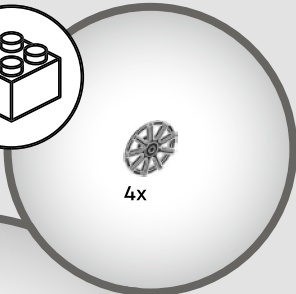
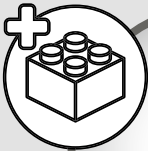
37



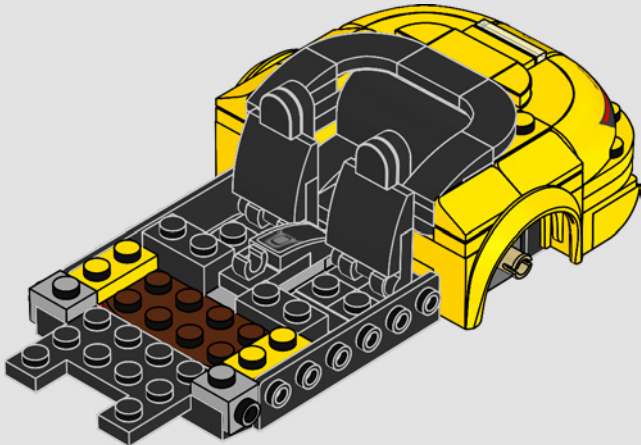
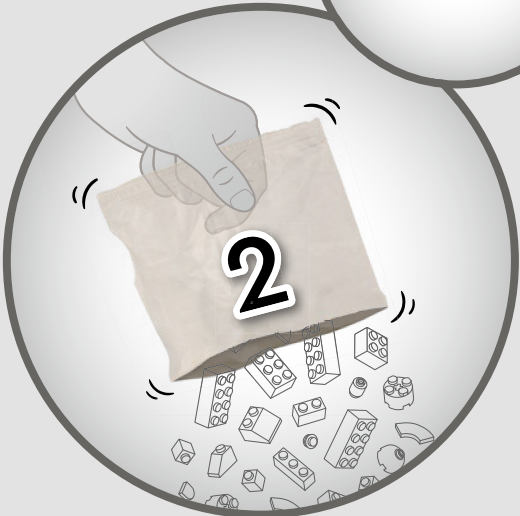


38



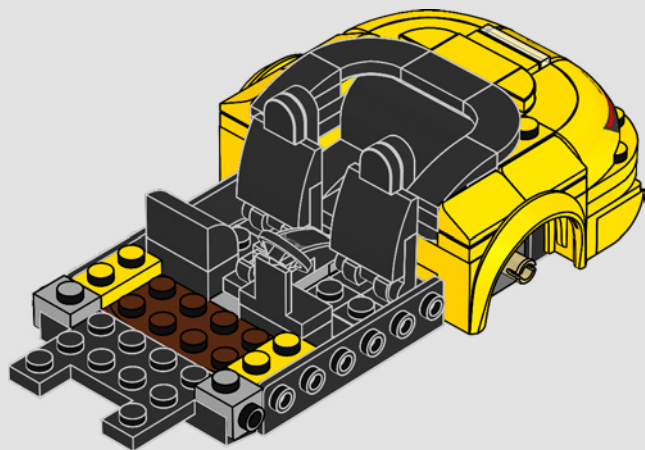


39

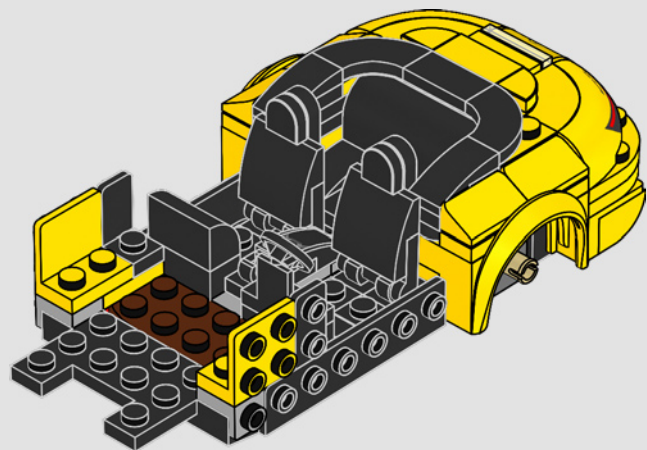


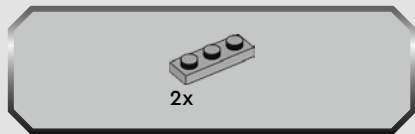


40

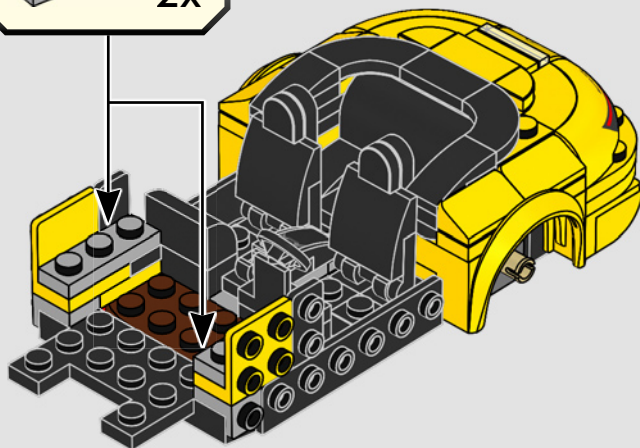
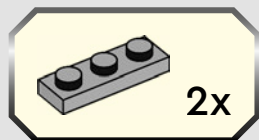


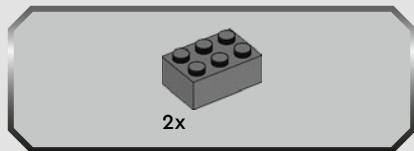
41



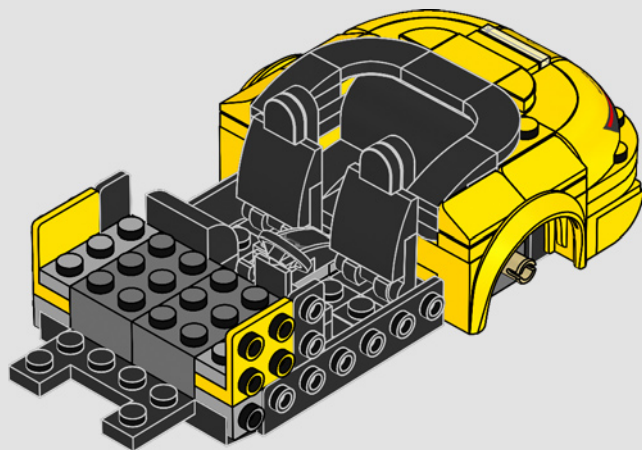


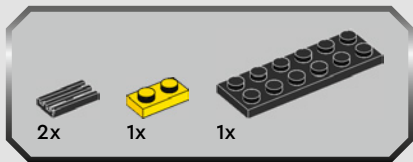
42



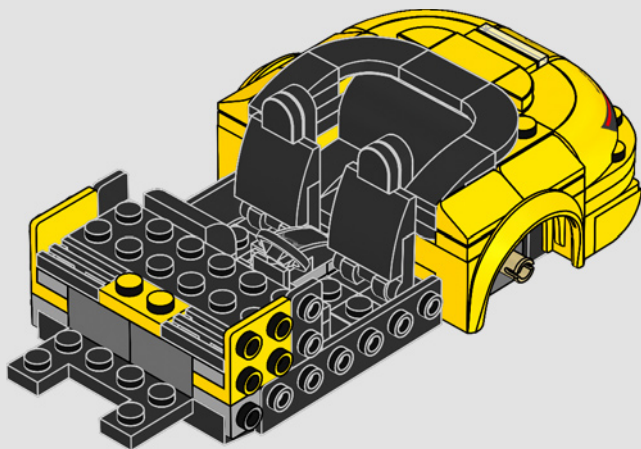


43

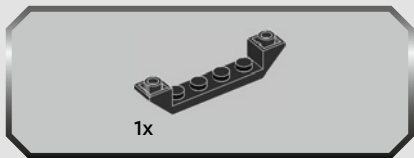




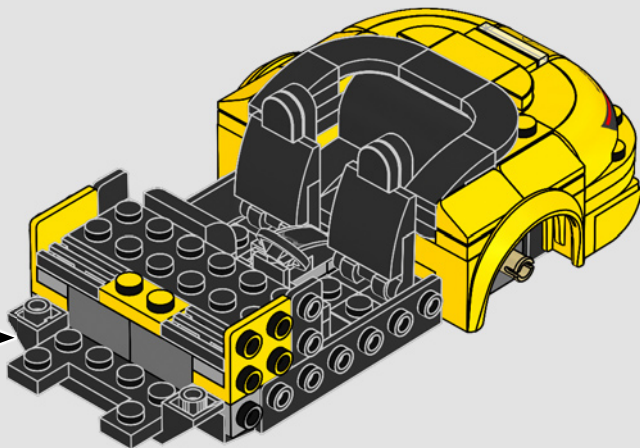
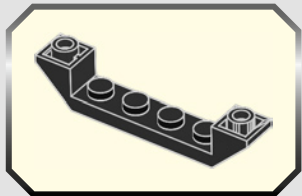
44

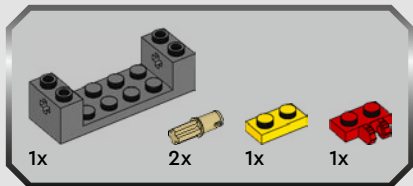




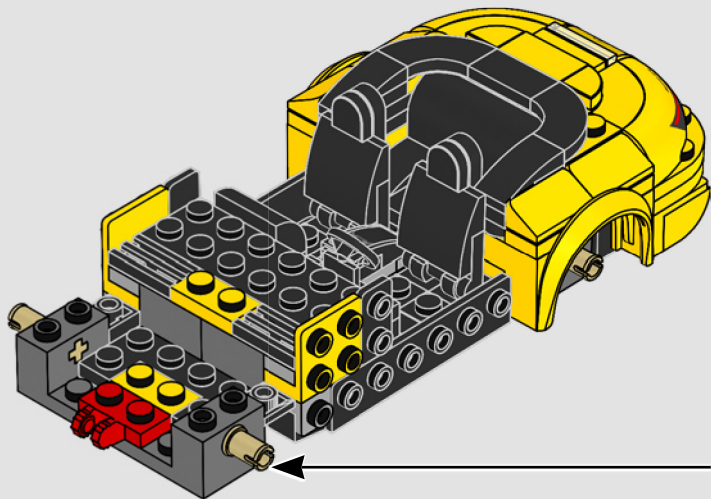
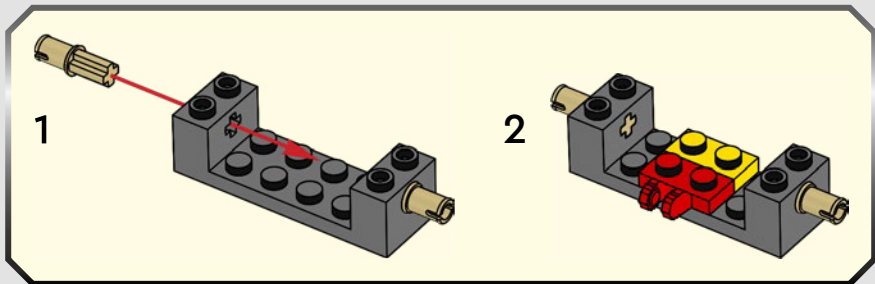


45





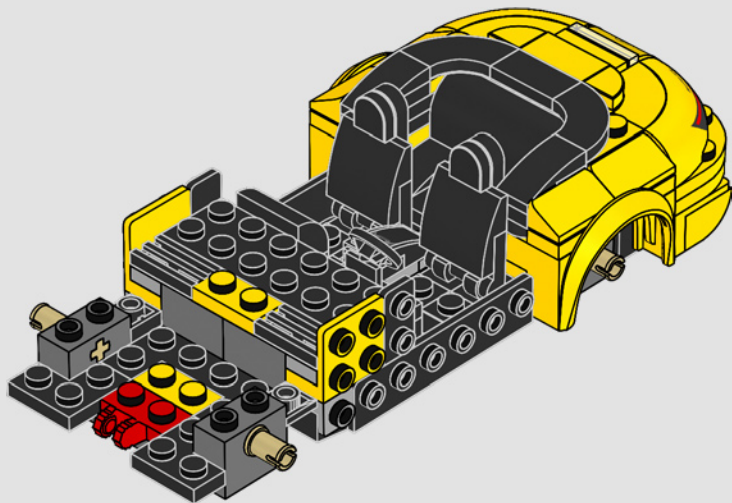
46





2x

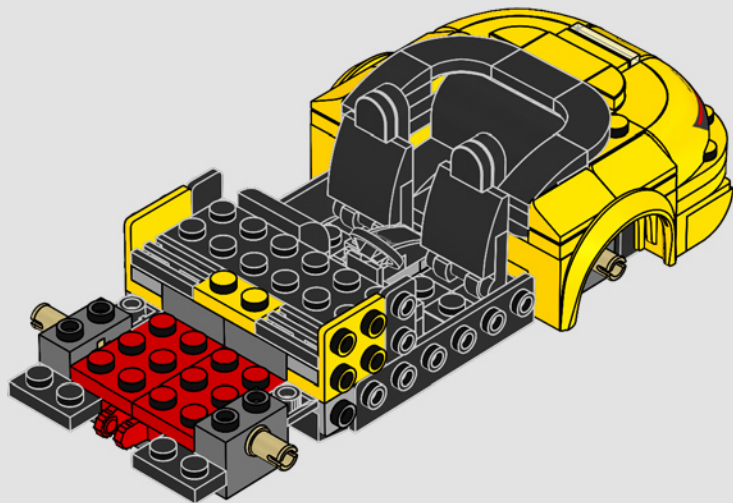
47





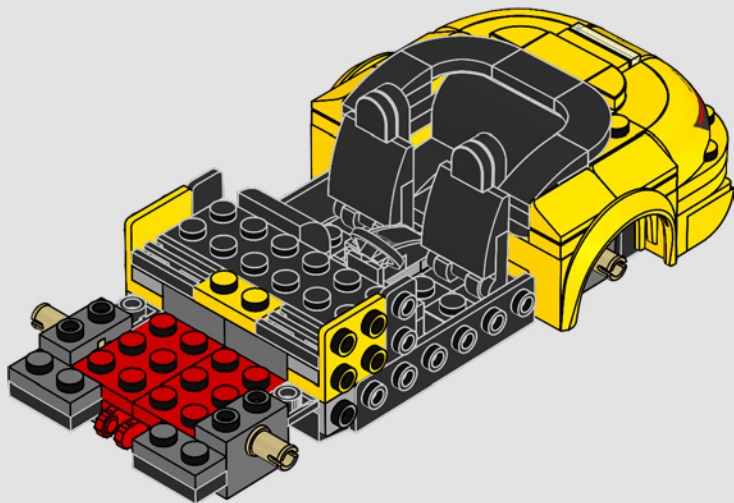
2x

48





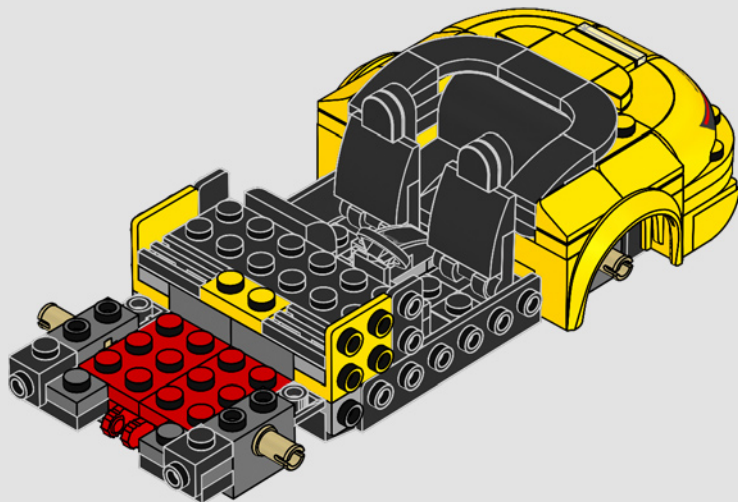
49





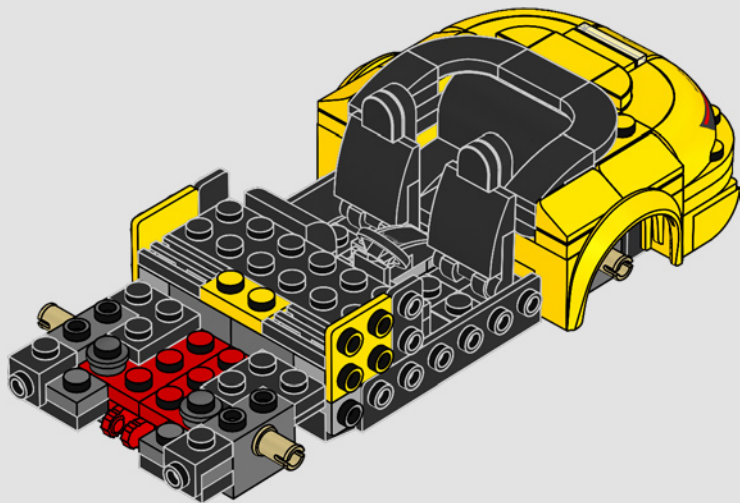
2x

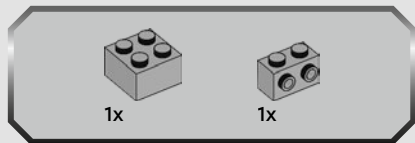
50



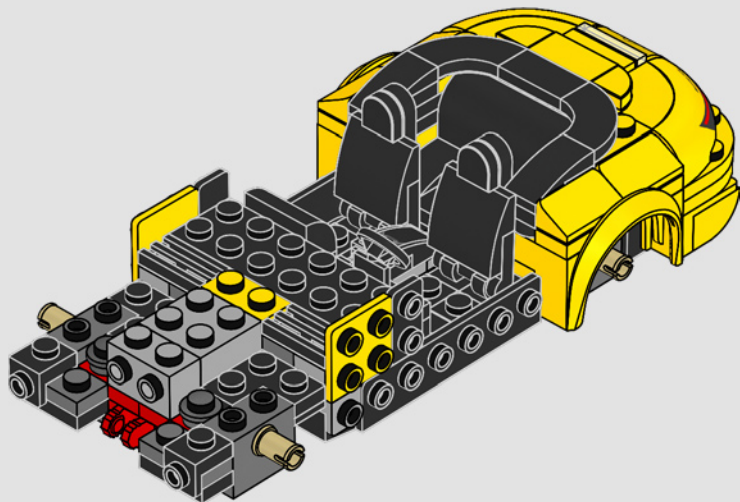


51





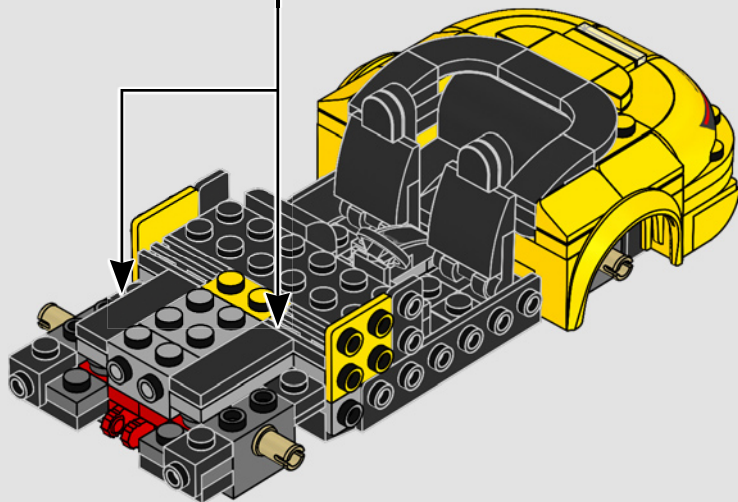
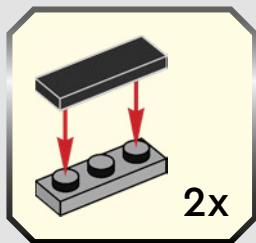
52





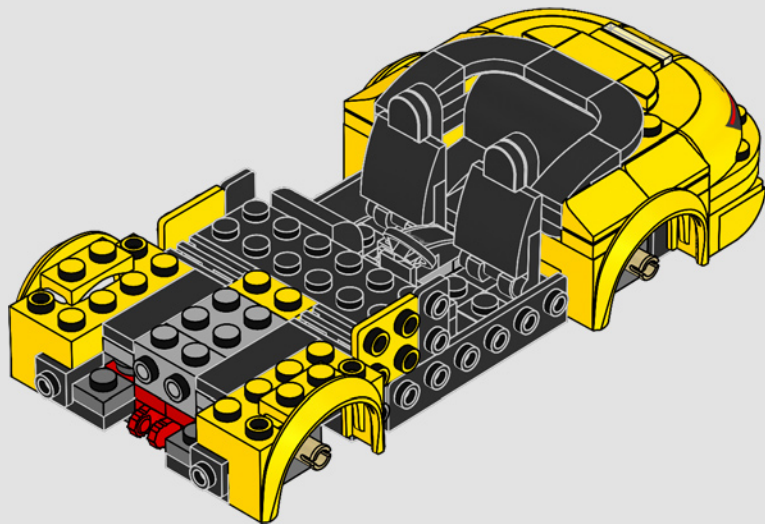


53



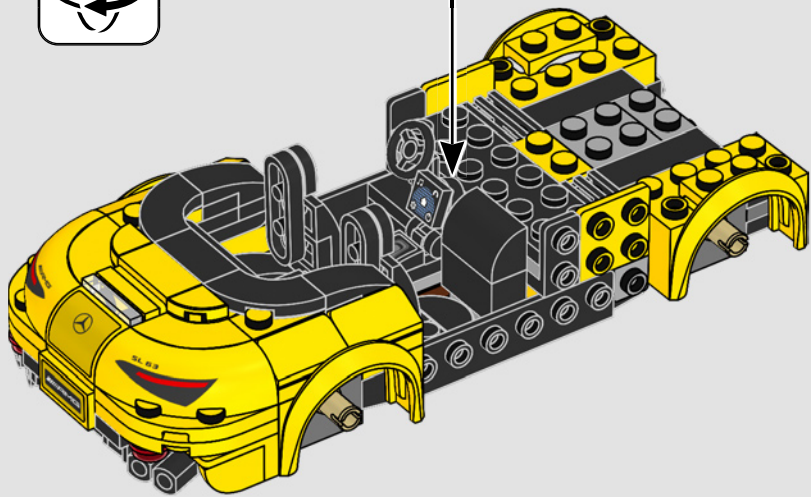
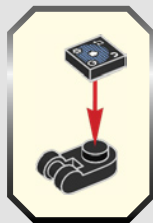


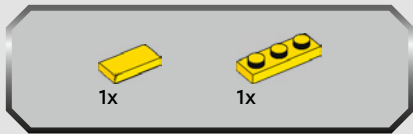
54



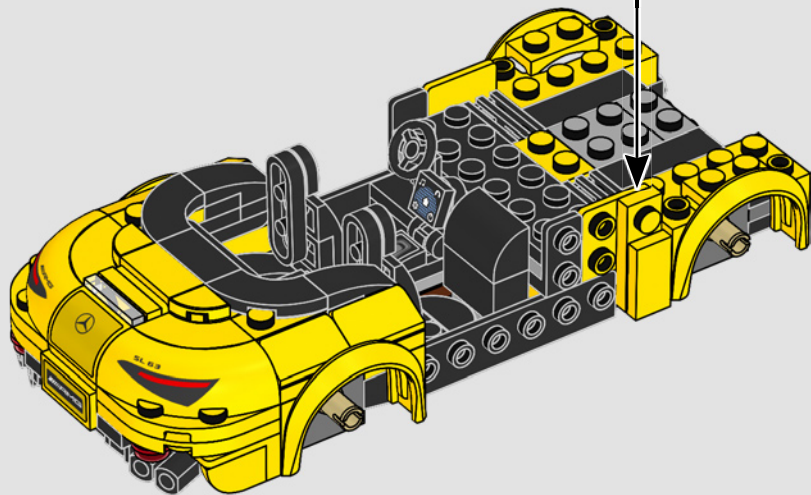
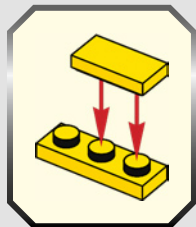


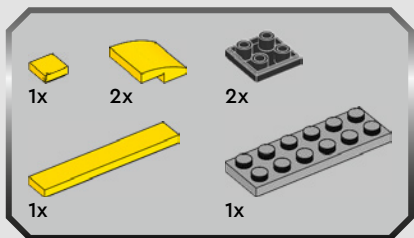
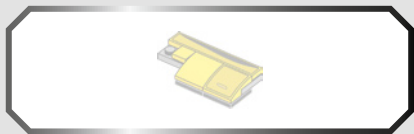
55





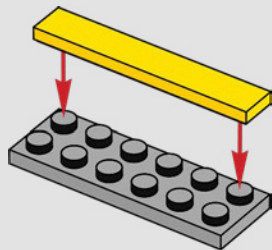
56



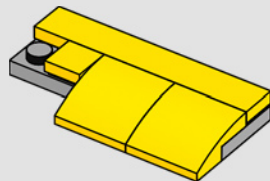


57

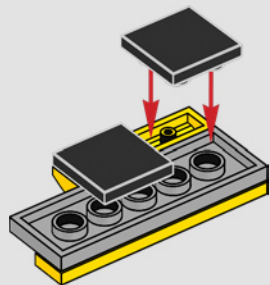
1



2

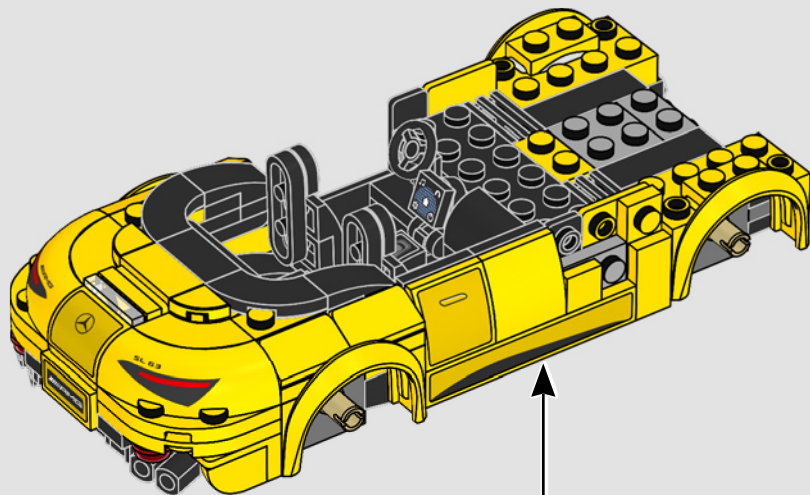
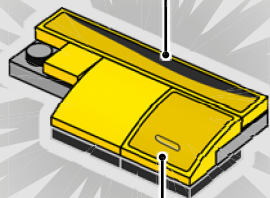


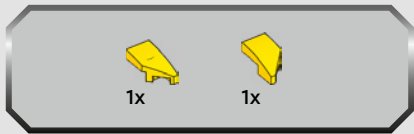
3



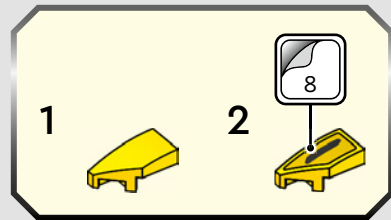
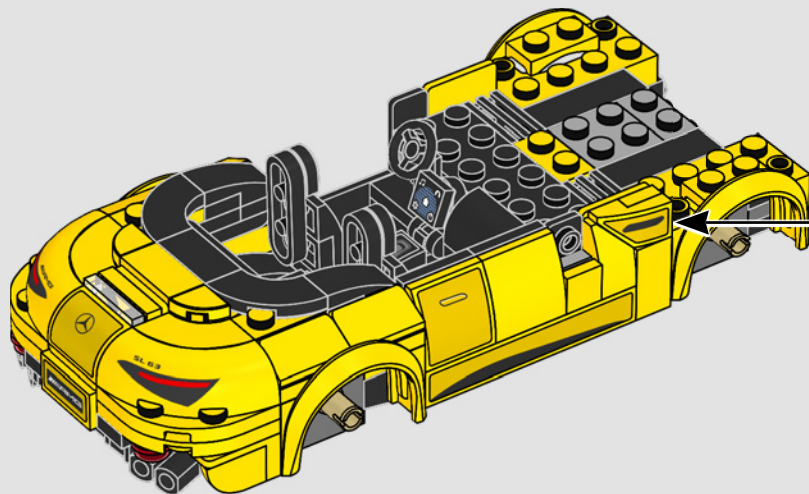


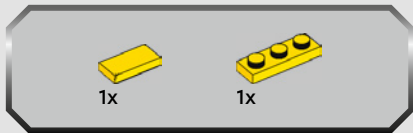
4



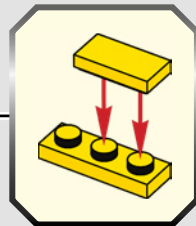
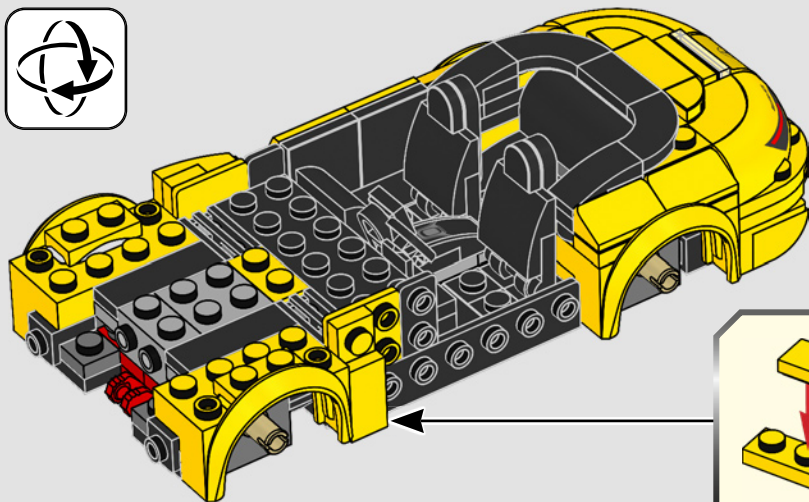


58

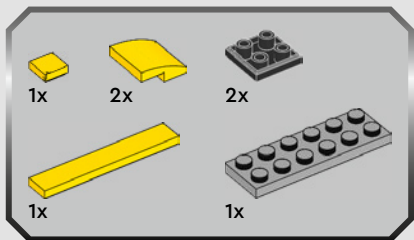
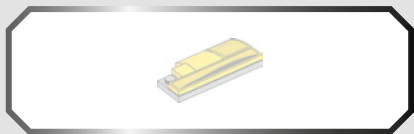




59

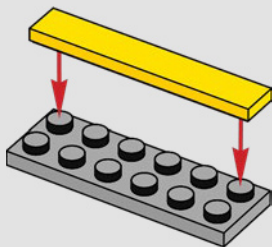




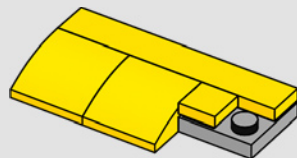


60

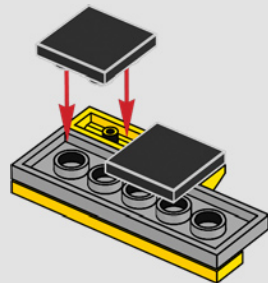
1



2

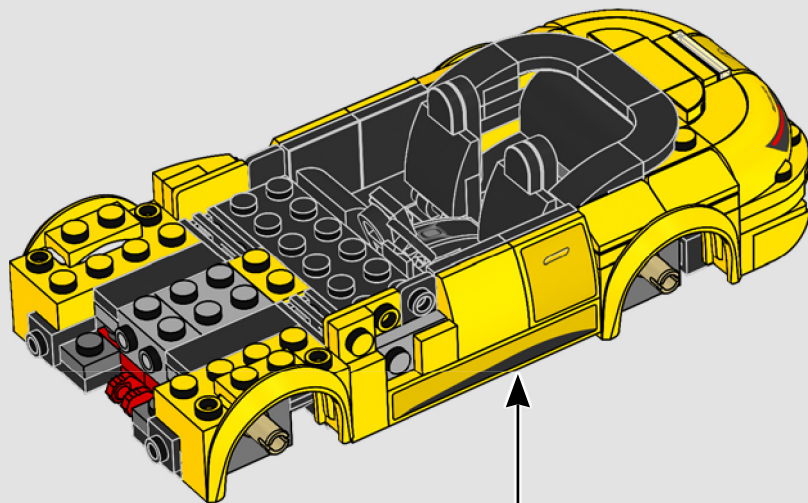
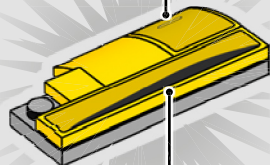


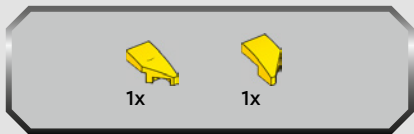
3



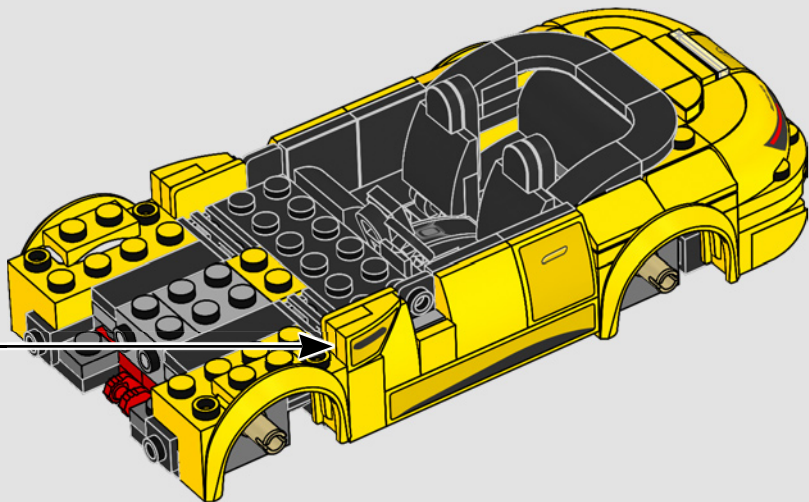
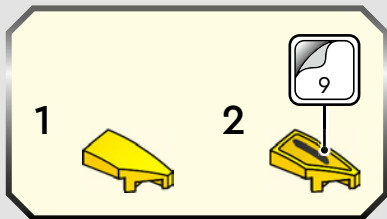


4





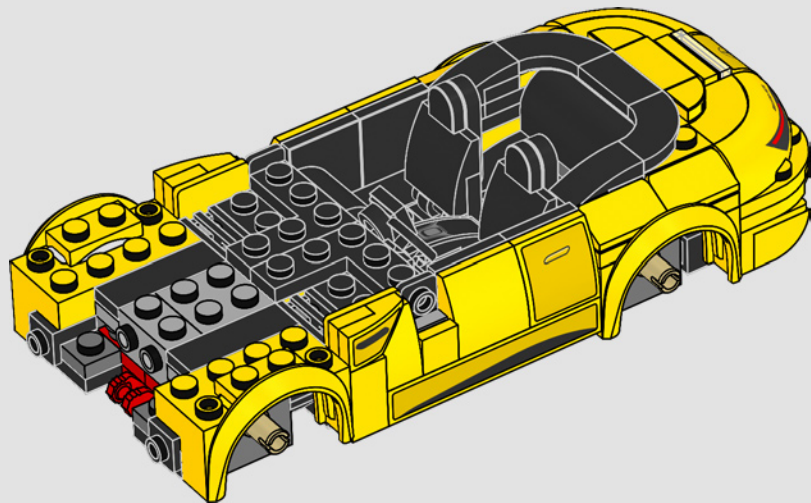
61

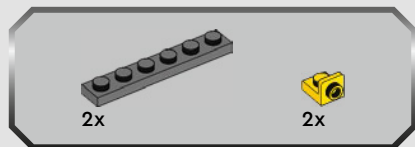




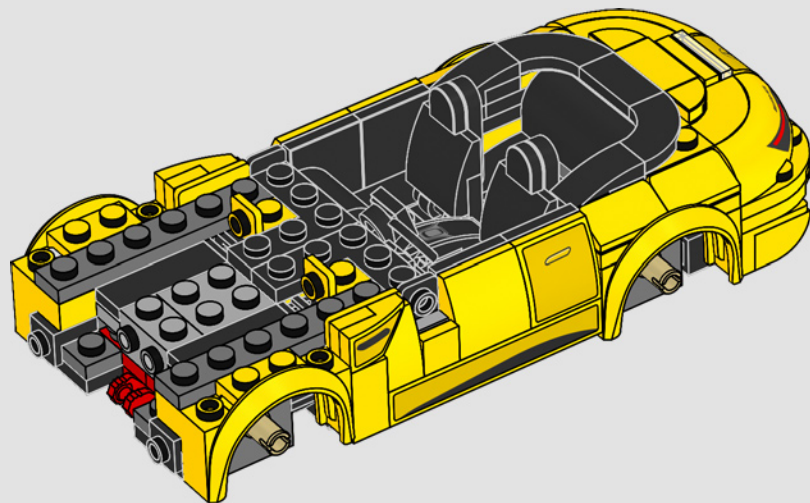
2x

62





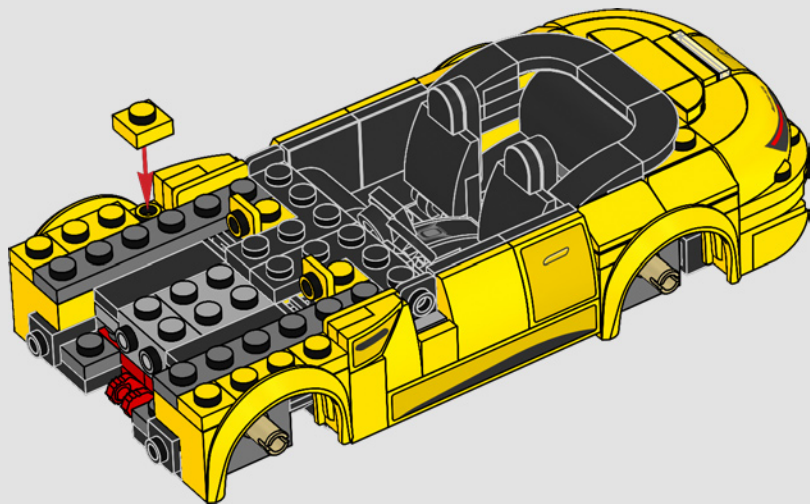
63

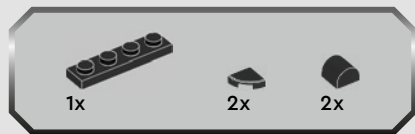




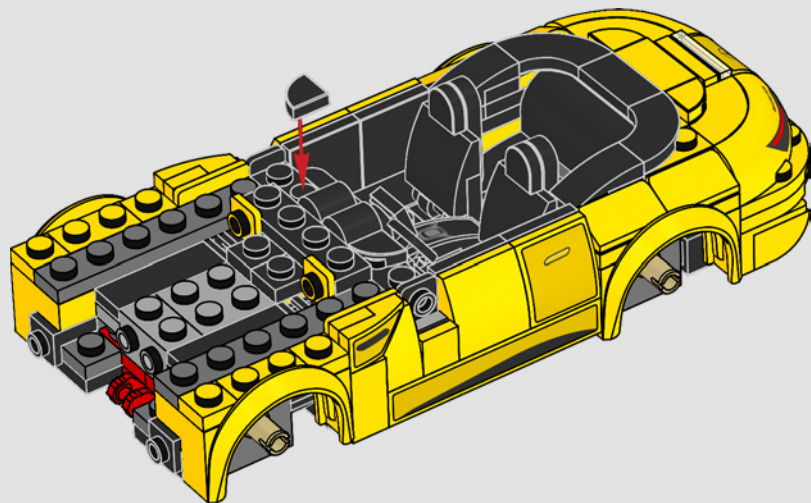
4x

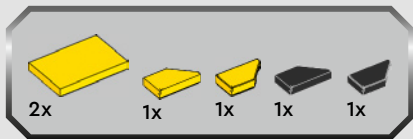
64



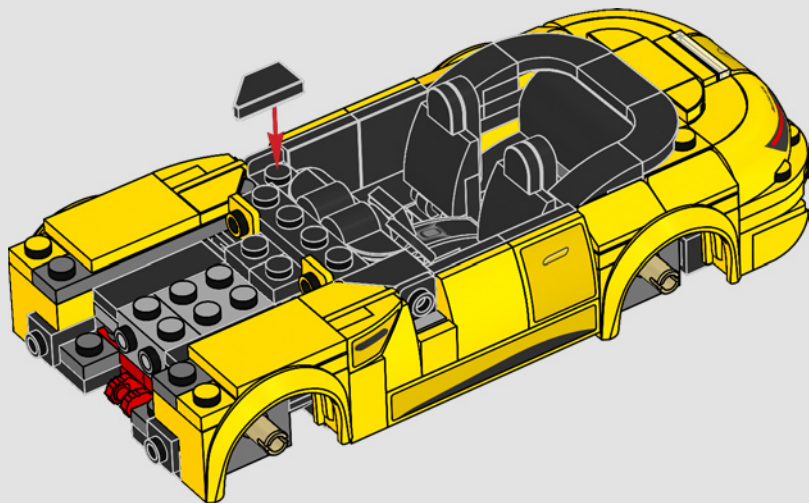


65





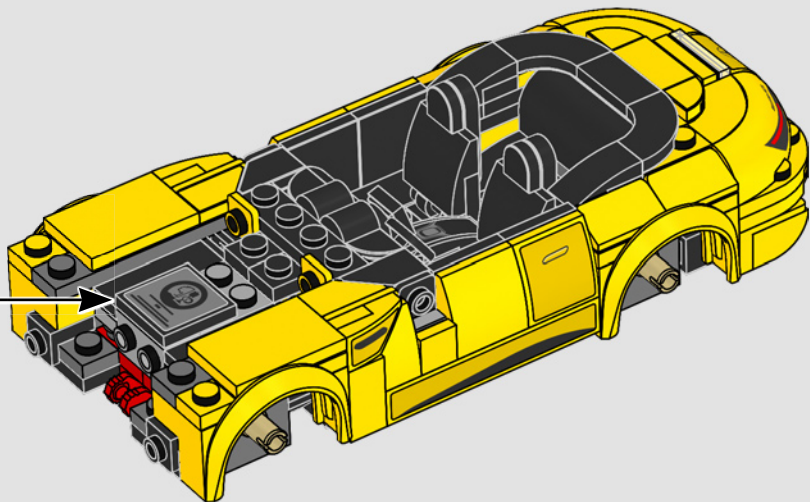
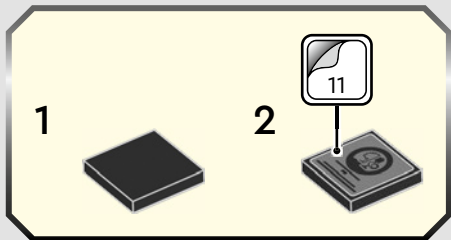
66





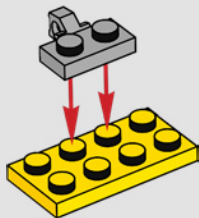


67

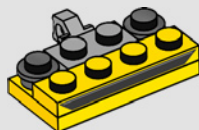




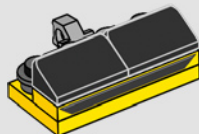
68

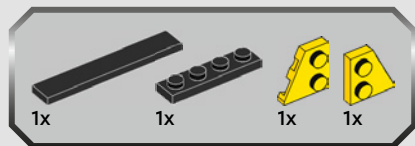


69

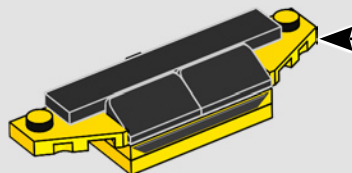
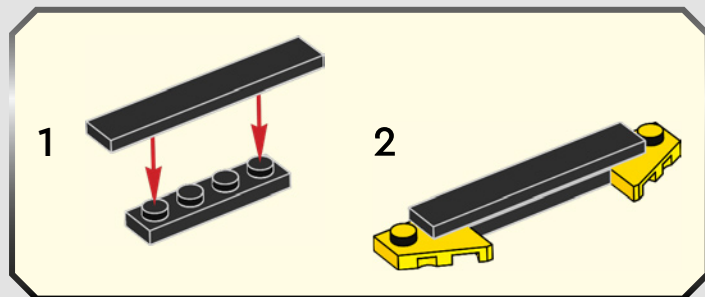


70

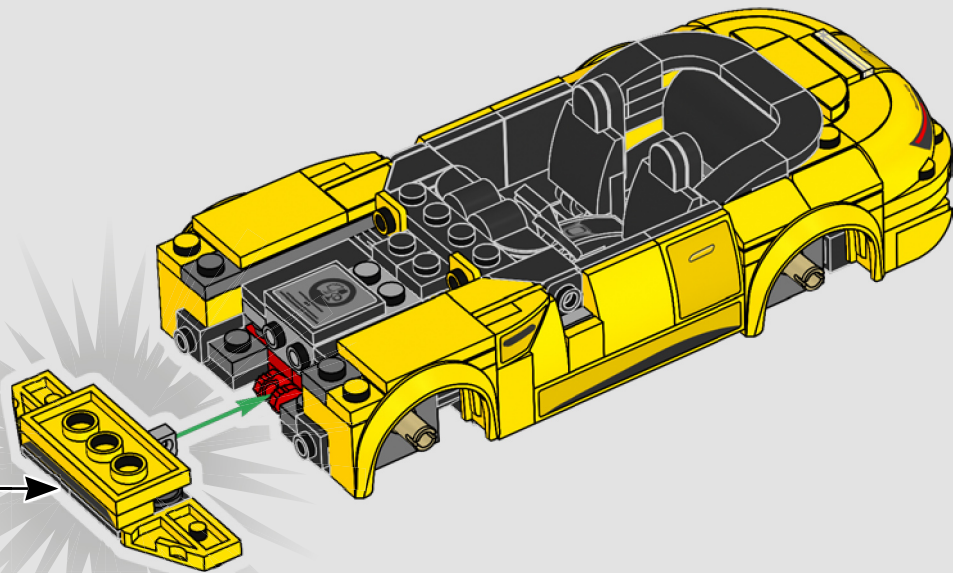




71

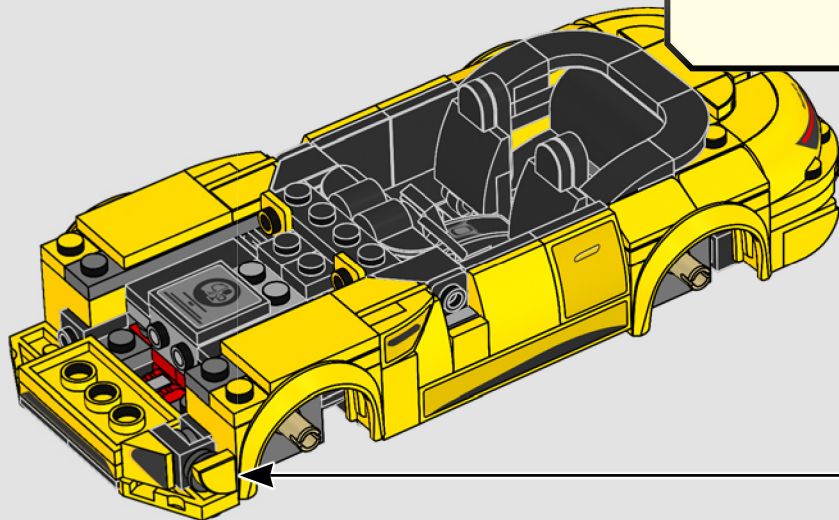
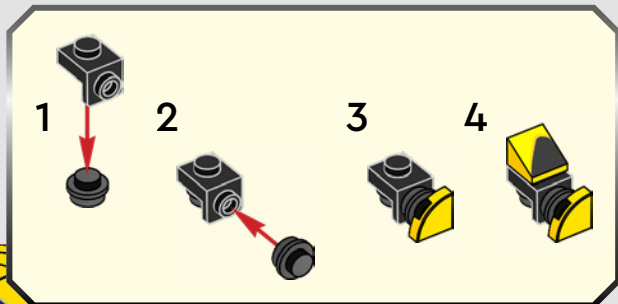


72



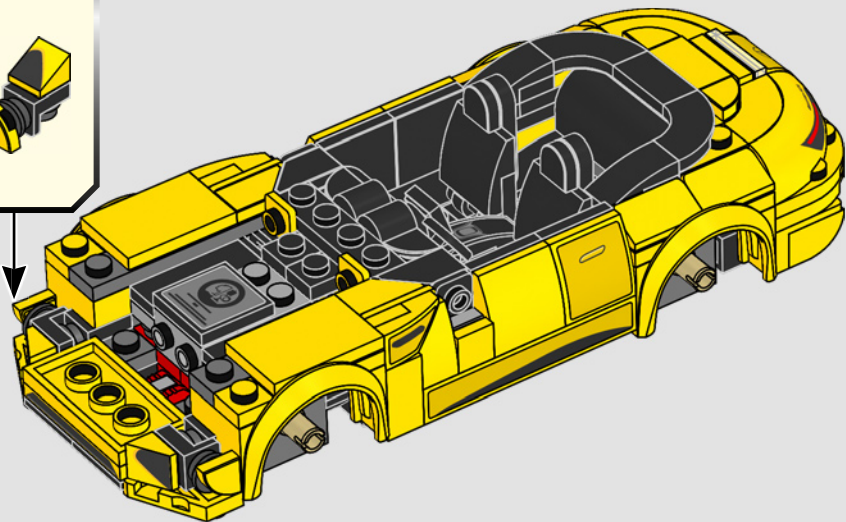
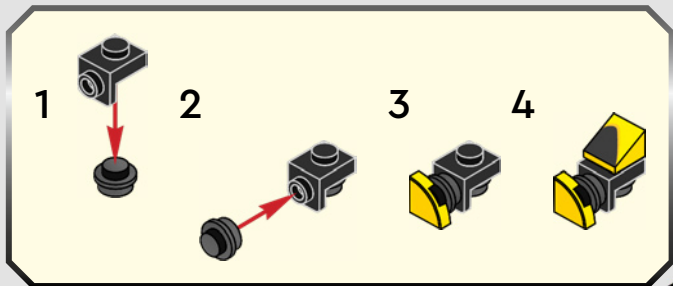


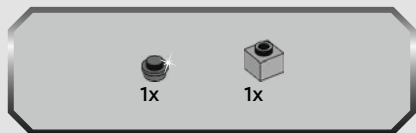
73



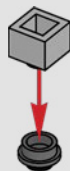


74

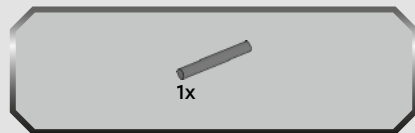




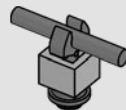
75

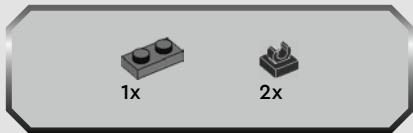


76

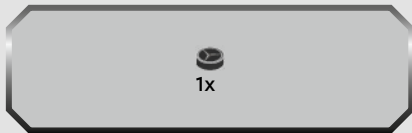
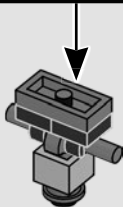
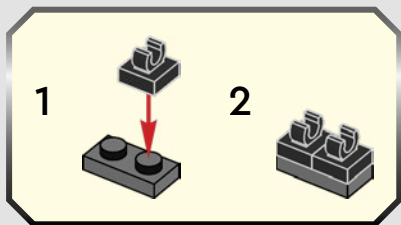


77





78



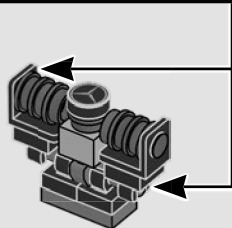
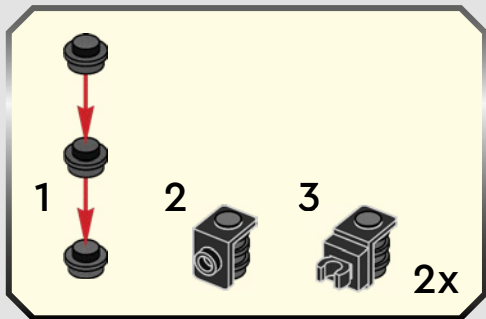
79



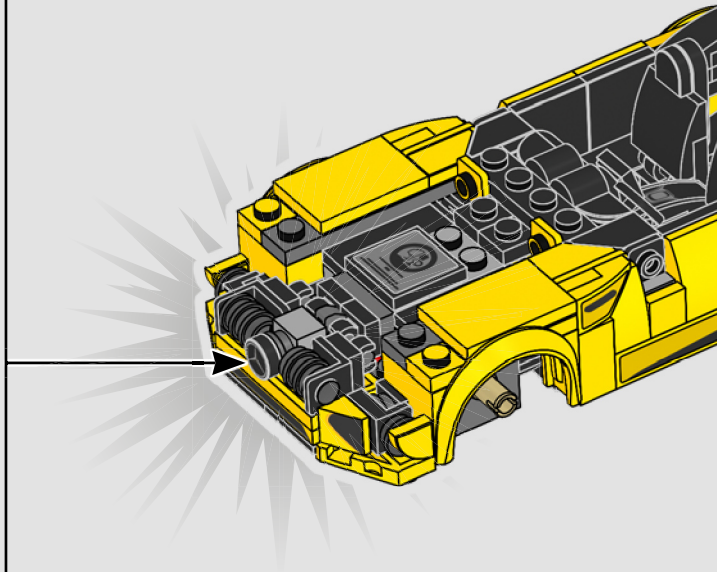


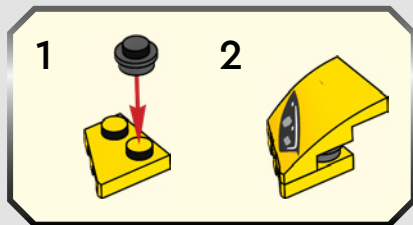
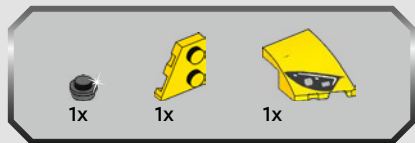


80

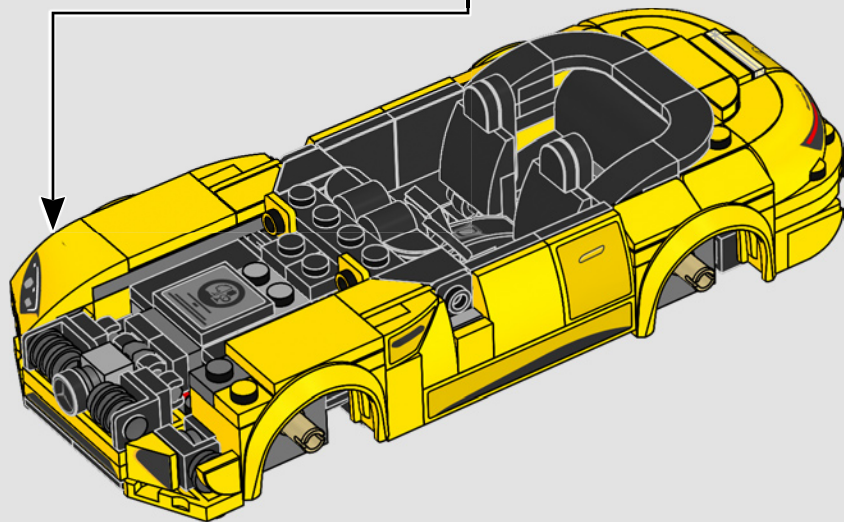


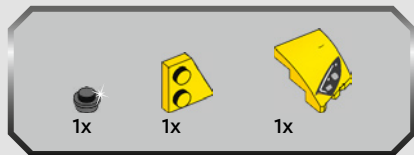
81



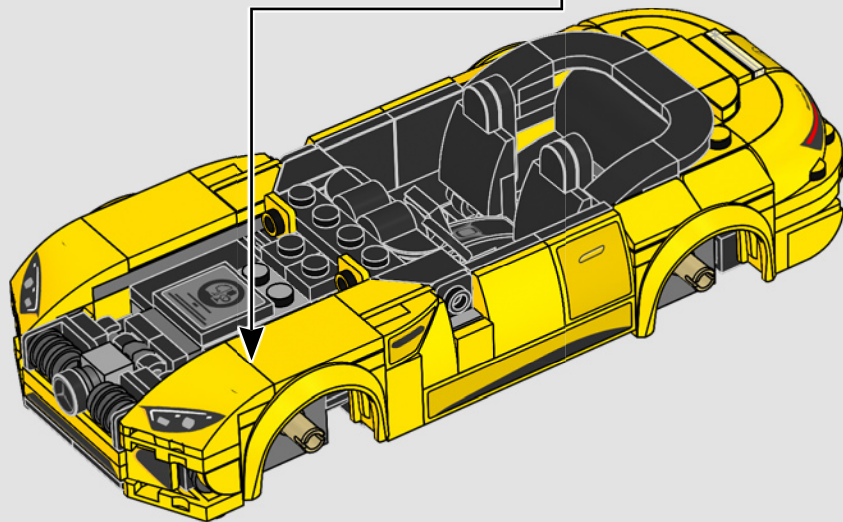
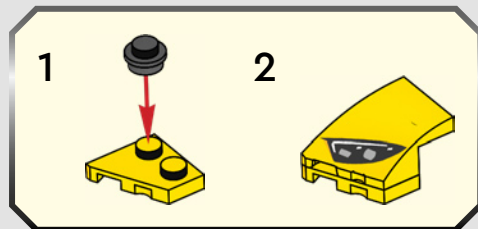


82



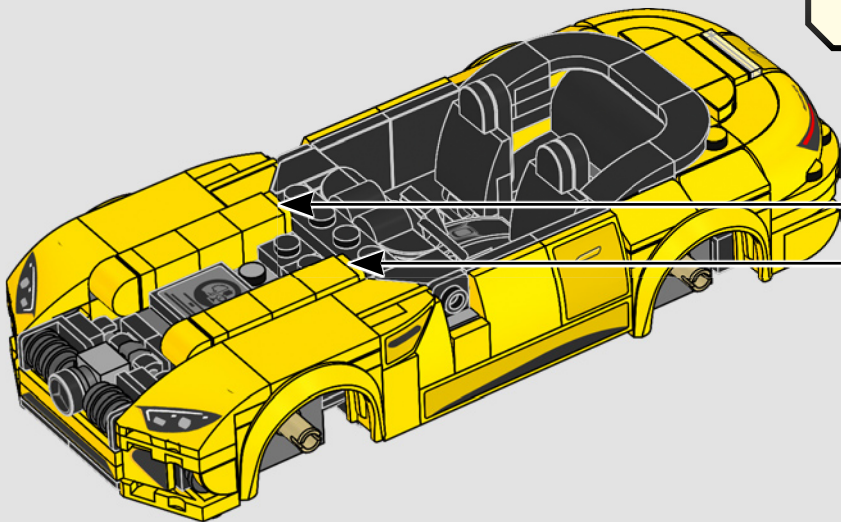
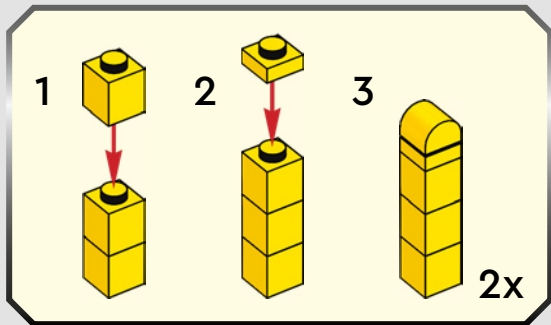


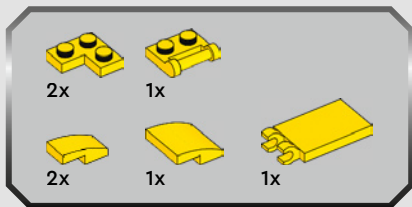
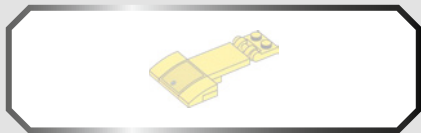
83





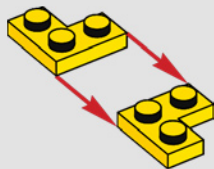
84



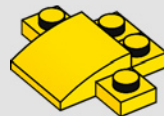


85

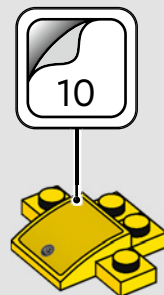
1



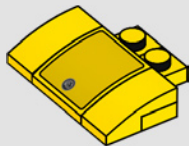
2



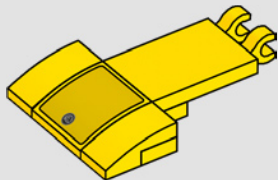
3



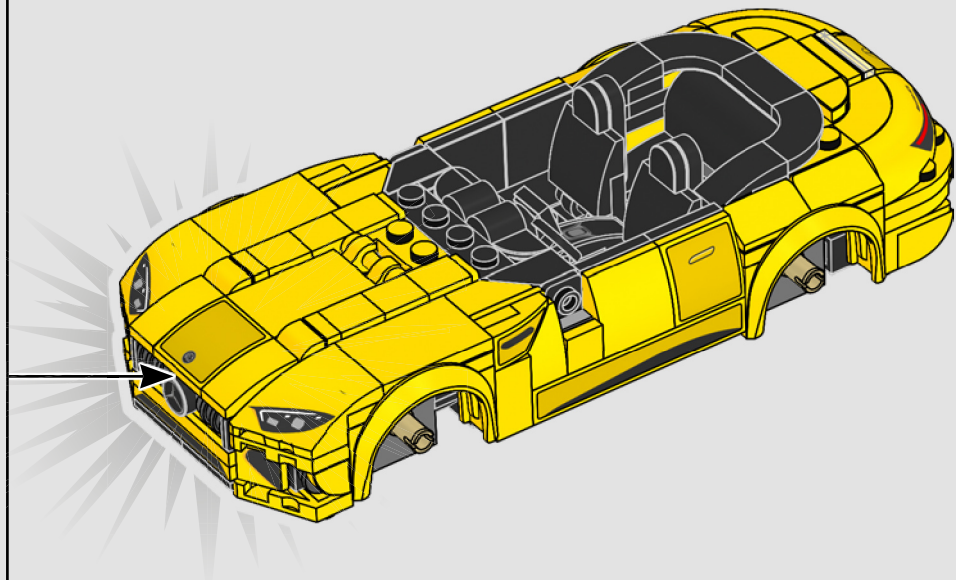
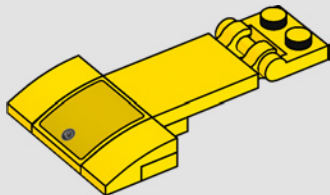
4

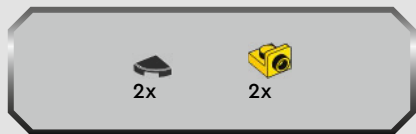


5

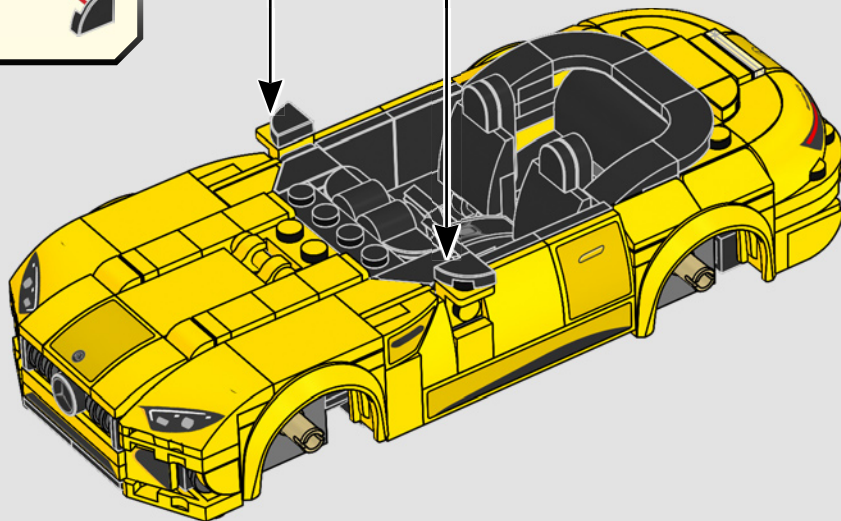
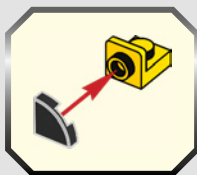


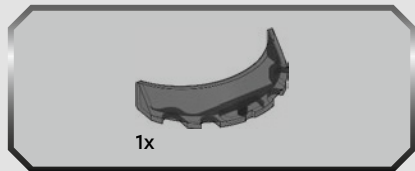
6



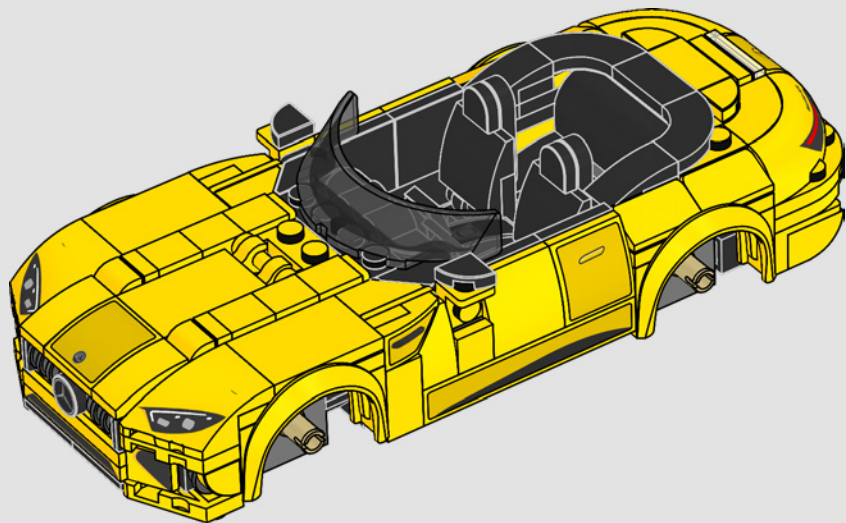


86

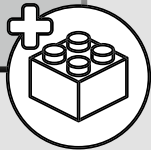
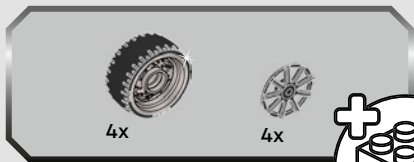




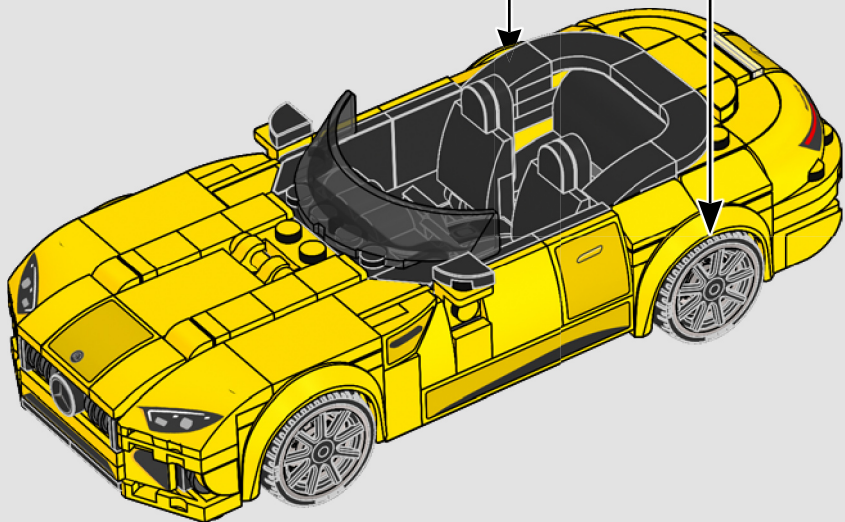
87

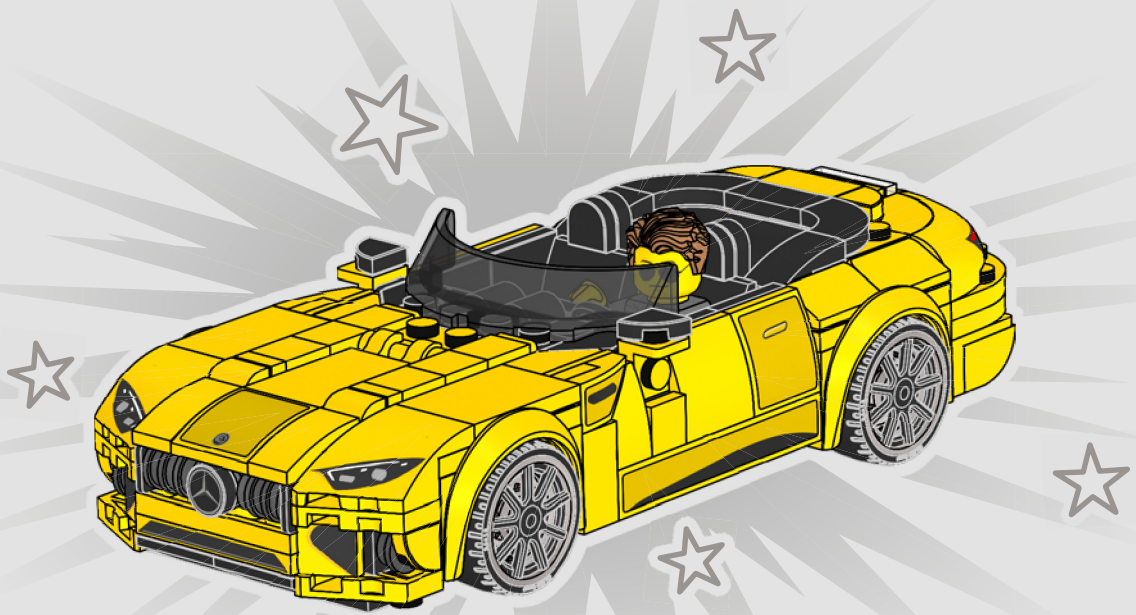






88







# SPEED CHAMPIONS

76923



76924

AMG



The "Lamborghini" and "Lamborghini Bull and Shield" trademarks, copyrights, designs and models are used under license from Automobili Lamborghini S.p.A, Italy.

//////AMG, „Mercedes-Benz" and "Three-pointed star in a ring" are the intellectual property of Mercedes-Benz Group AG. They are used by The LEGO Group under license.



LEGO and the LEGO logo are trademarks of the/son des marques de commerce du/  
son marcas registradas de LEGO Group.

©2024 The LEGO Group. 6522908

//////AMG, „Mercedes-Benz“ and “Three-pointed star in a ring” are the intellectual  
property of Mercedes-Benz Group AG.

They are used by The LEGO Group under license.

Rebuild  
the  
world™

