



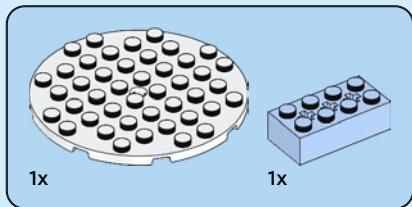
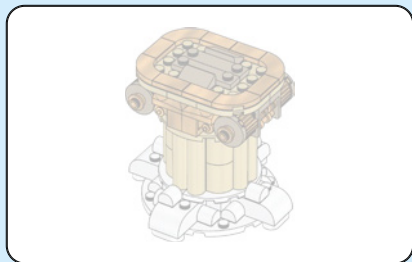
CREATOR™



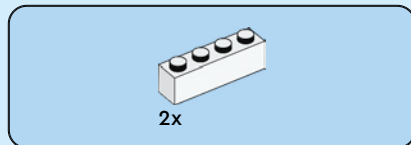
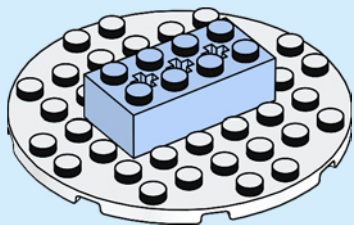
40691



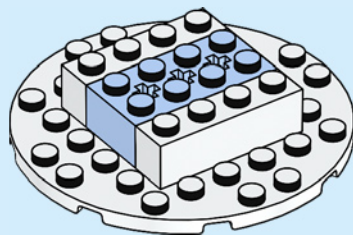


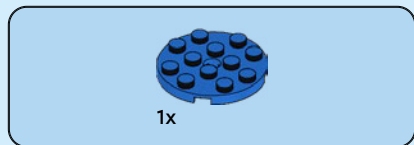


1

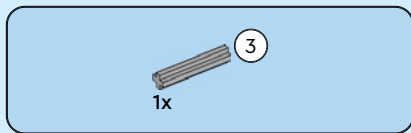
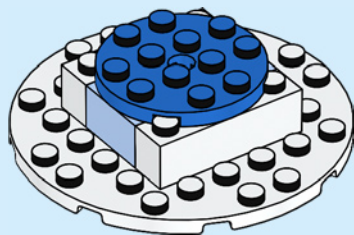


2

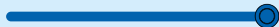
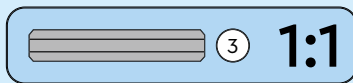
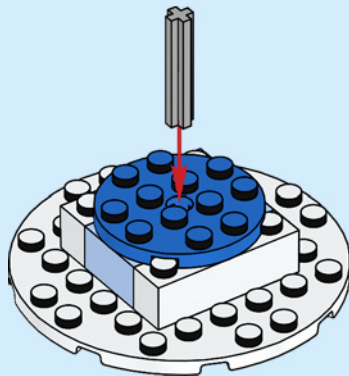


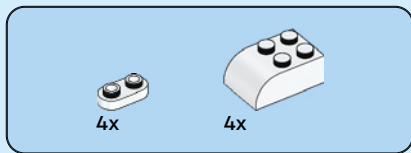


3

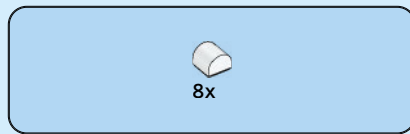
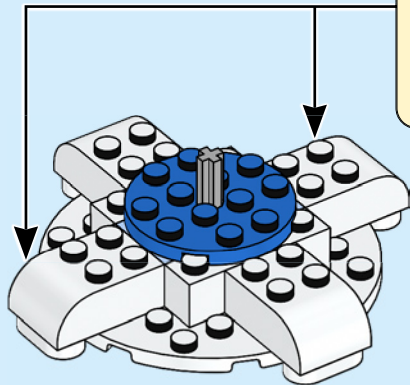
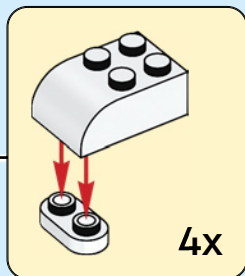


4

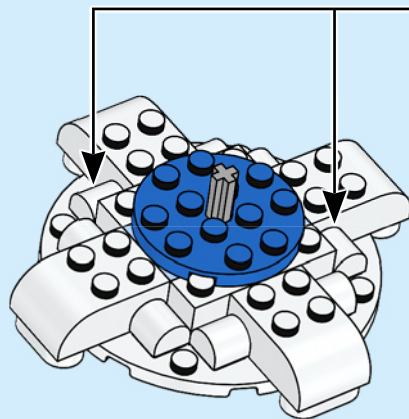
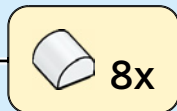




5



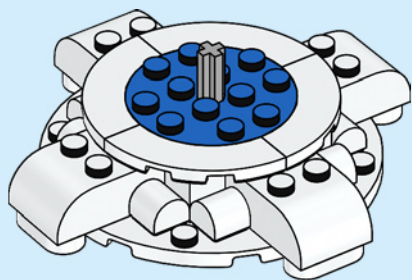
6





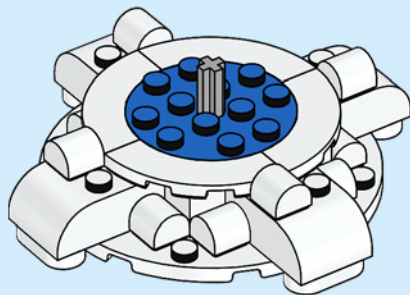
4x

7



4x

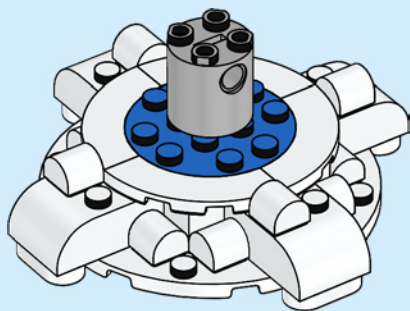
8





1x

9

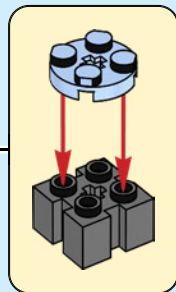
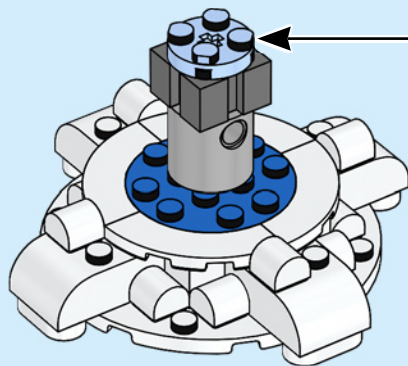


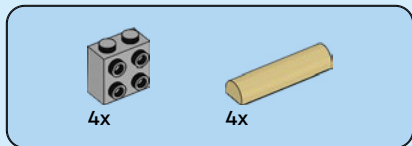
1x



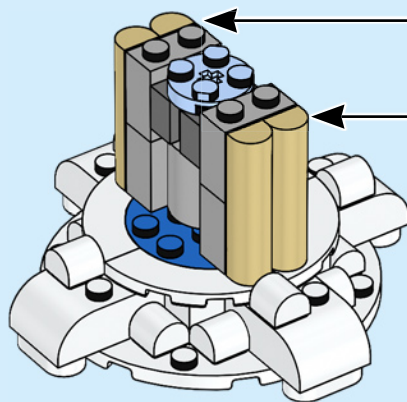
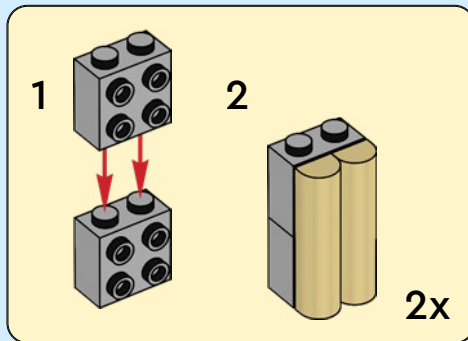
1x

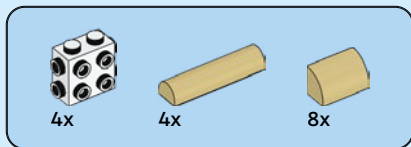
10



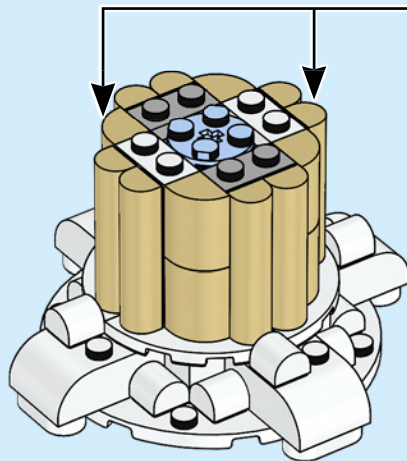
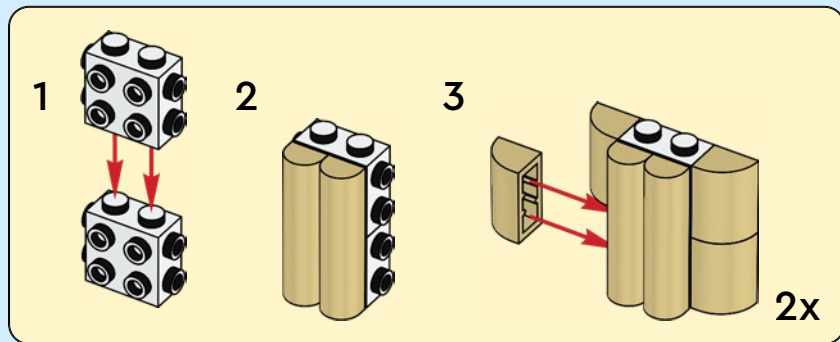


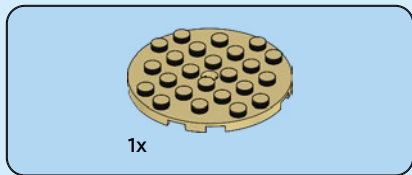
11



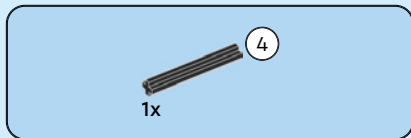
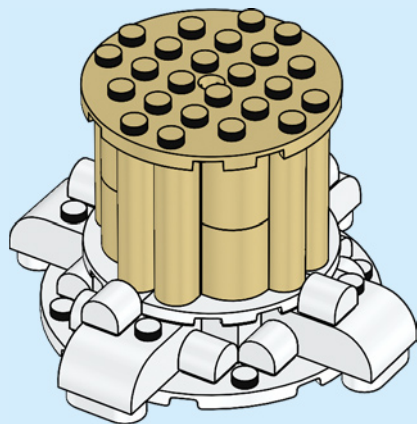


12

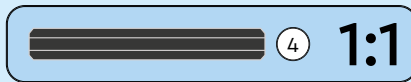
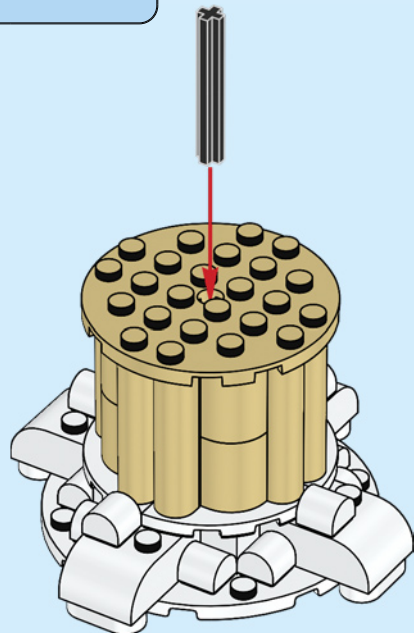


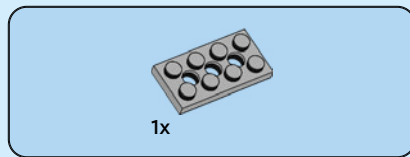


13

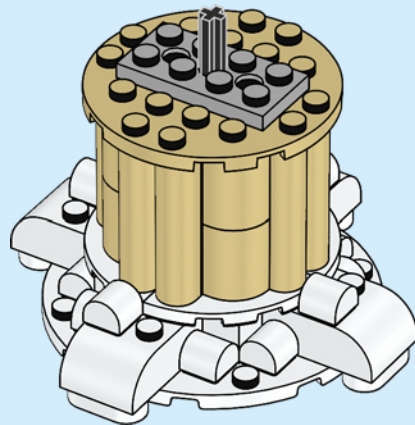


14





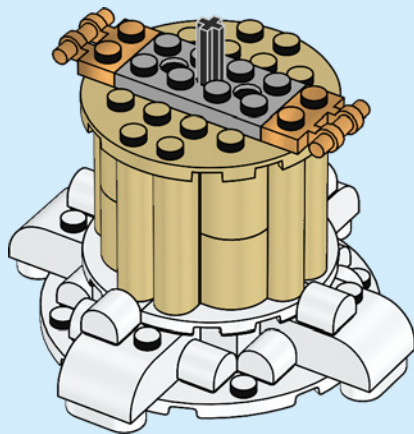
15

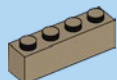




2x

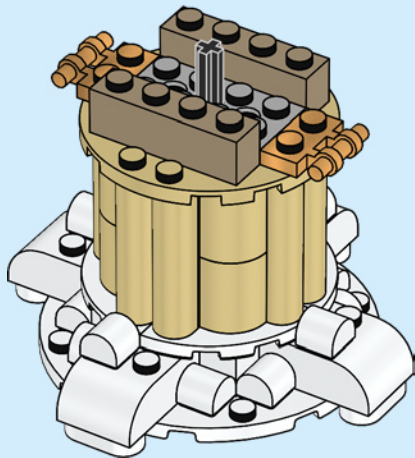
16





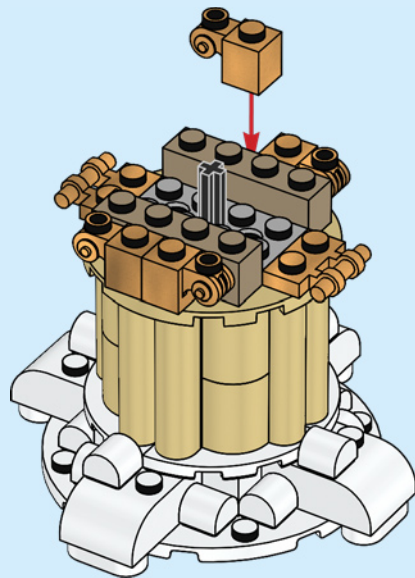
2x

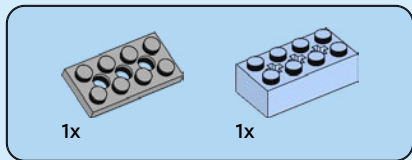
17



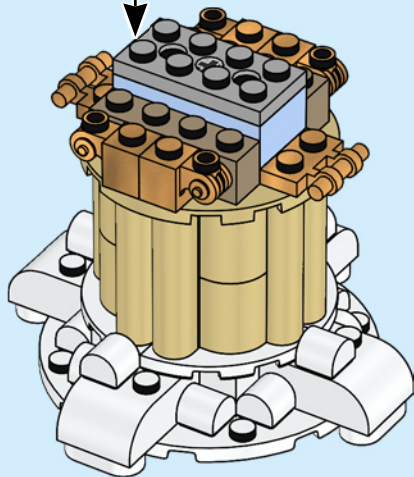
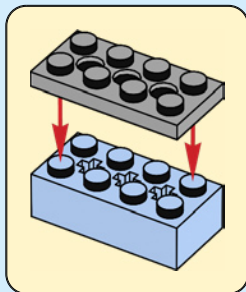
4x

18





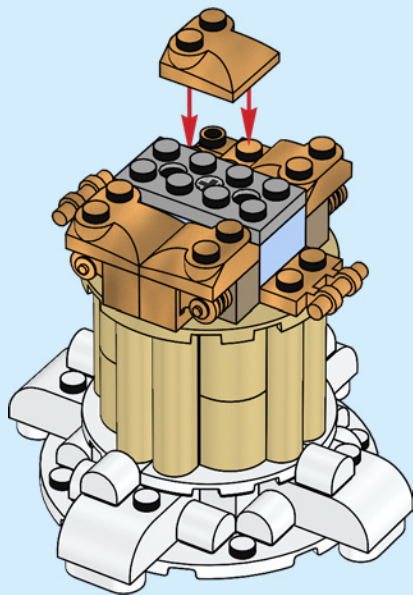
19





4x

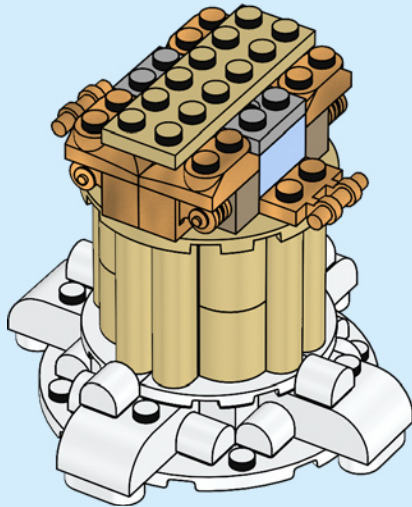
20





1x

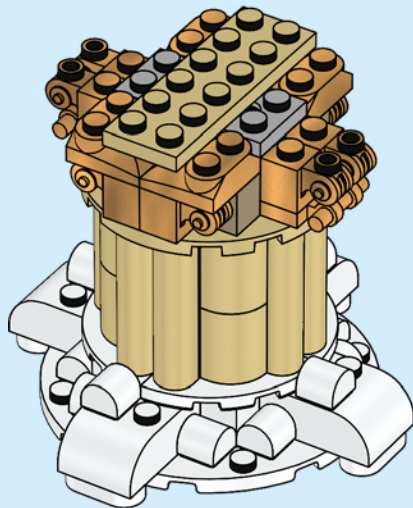
21





4x

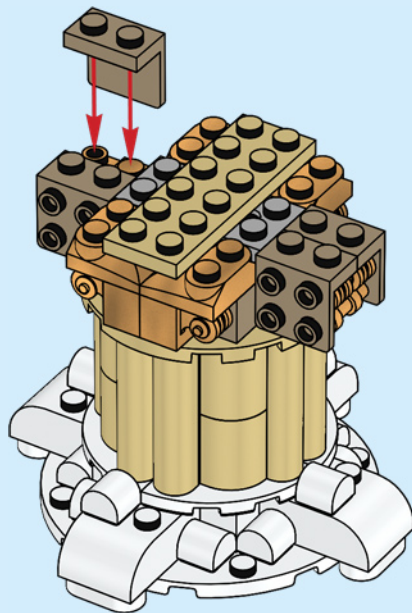
22

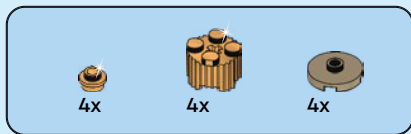




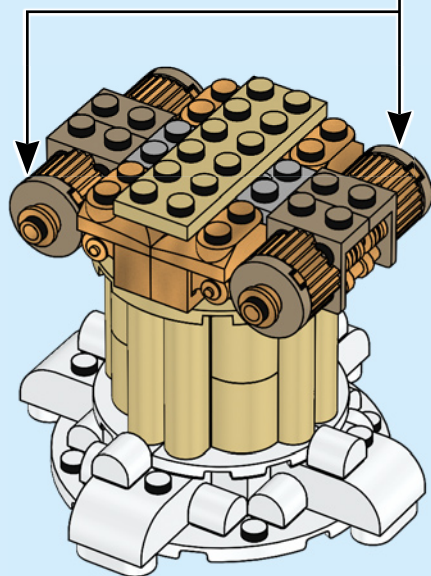
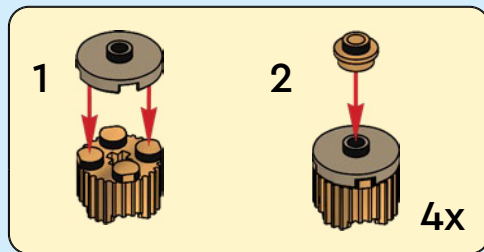
4x

23





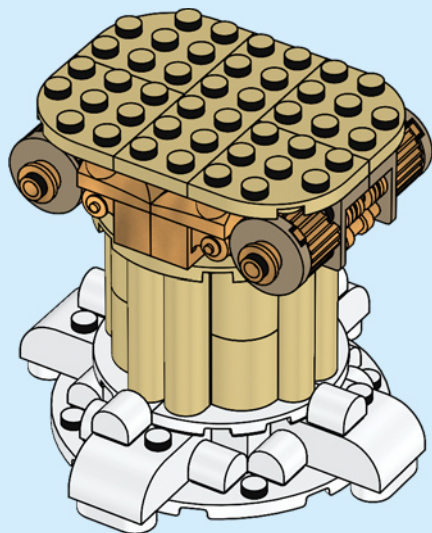
24





4x

25



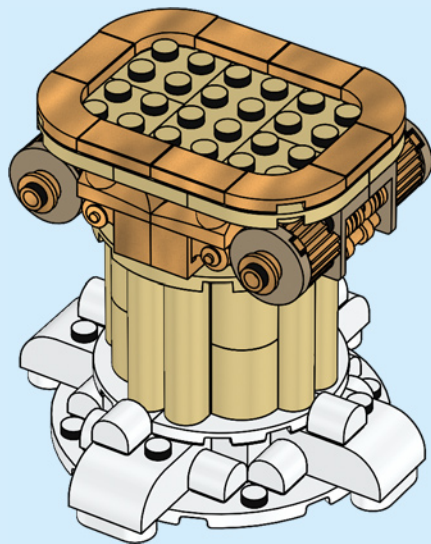


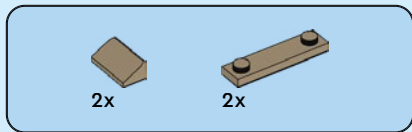
6x



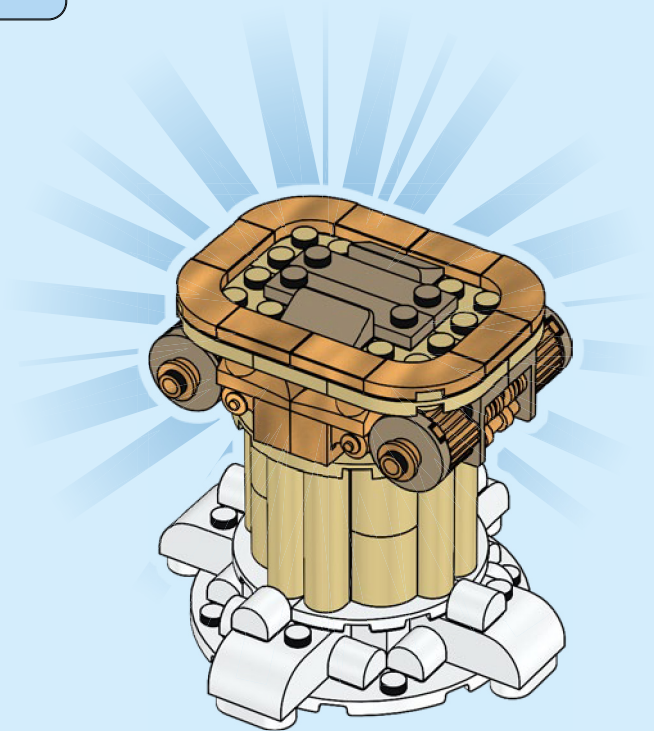
4x

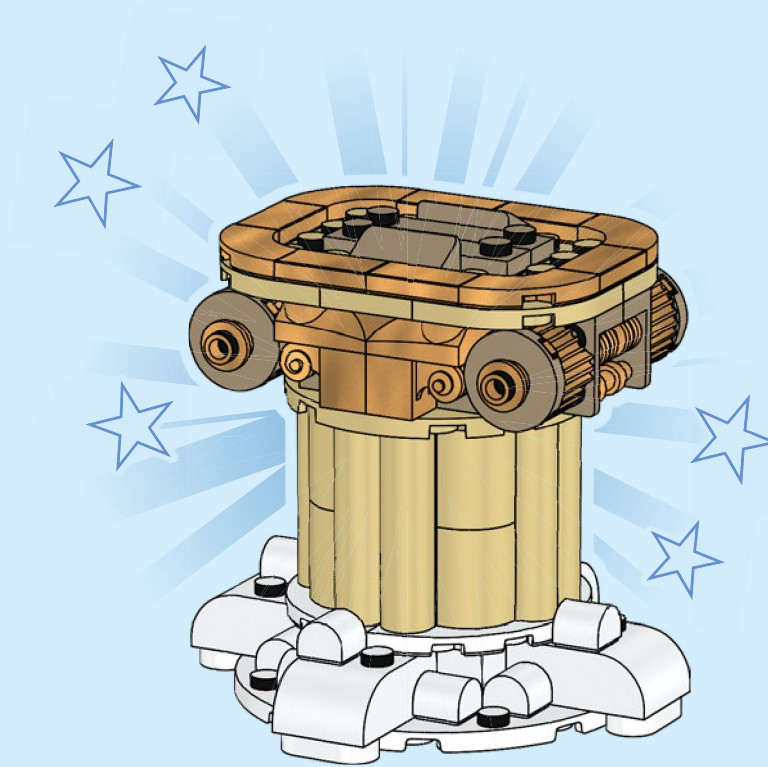
26





27







LEGO and the LEGO logo are trademarks of the/son des marques
de commerce du/son marcas registradas de LEGO Group.
©2024 The LEGO Group. 6520933

Rebuild
the
world™

