



JURASSIC WORLD

76965



1



WARNING: CHOKING HAZARD. Toy contains small parts and a small ball. Not for children under 3 years.



LEGO® Builder



Get excited about our new packaging!

We're switching from plastic to paper-based packaging. That's why you might find a mix of paper and plastic in our boxes!

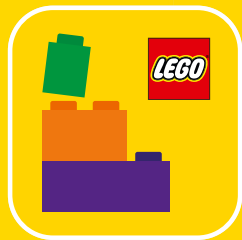
Nos nouveaux emballages vous emballeront !

Nous passons des emballages en plastique aux emballages à base de papier. C'est pourquoi vous pourriez trouver un mélange de papier et de plastique dans nos boîtes !

¡Te presentamos nuestros nuevos empaques!

Estamos sustituyendo las bolsas de plástico por bolsas con base de papel. ¡Por eso, puedes encontrar una mezcla de papel y de plástico en nuestras cajas!

[LEGO.com/sustainable-packaging](https://www.lego.com/sustainable-packaging)



Q LEGO® Builder

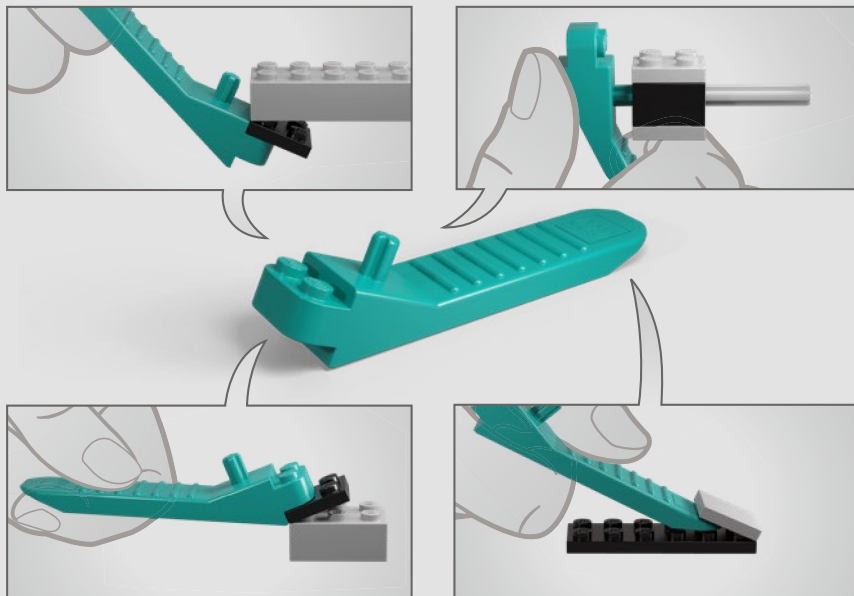
BUILDER



Apple and the Apple logo are trademarks of Apple Inc., registered in the U.S. and other countries and regions. App Store is a service mark of Apple Inc. Google Play and the Google Play logo are trademarks of Google LLC. Tencent and the Tencent logo are trademarks of Tencent Inc.

Q [LEGO.com/devicecheck](https://www.lego.com/devicecheck)

EN Ask parents' permission before going online | **DE** Eltern um Erlaubnis bitten, bevor du online gehst | **FR** Demande l'autorisation d'un parent avant d'aller en ligne | **IT** Chiedi il permesso ai tuoi genitori prima di andare online | **ES** Pídeles permiso a tus papás antes de conectarte a Internet | **PT** Pede autorização aos pais antes de acederes online | **ZH** 上网前应先征得父母的同意 | **PL** Poproś rodziców o zgodę, zanim wejdziesz do Internetu | **CS** Než půjdeš na internet, požádej rodiče o svolení | **SK** Skôr než pôjdeš na internet, vypýtaj si povolenie od rodičov | **HU** Kérj szülői engedélyt, mielőtt online csatlakoznál! | **RO** Cere permisiunea părinților înainte de a te conecta online | **BG** Поискайте разрешение от родител, преди да влезете онлайн | **LV** Pirms došanās tiešsaistē palūdz atļauju vecākiem | **ET** Enne Interneti kasutamist küsi vanematelt luba | **LT** Prieš prisijungdami prie interneto, atsiklauskite tėvų



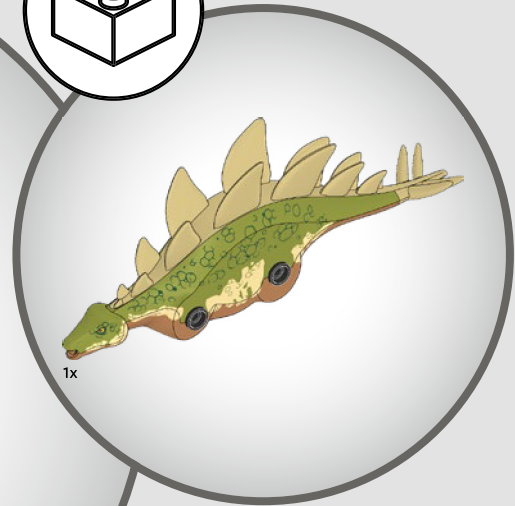
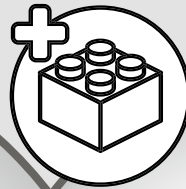
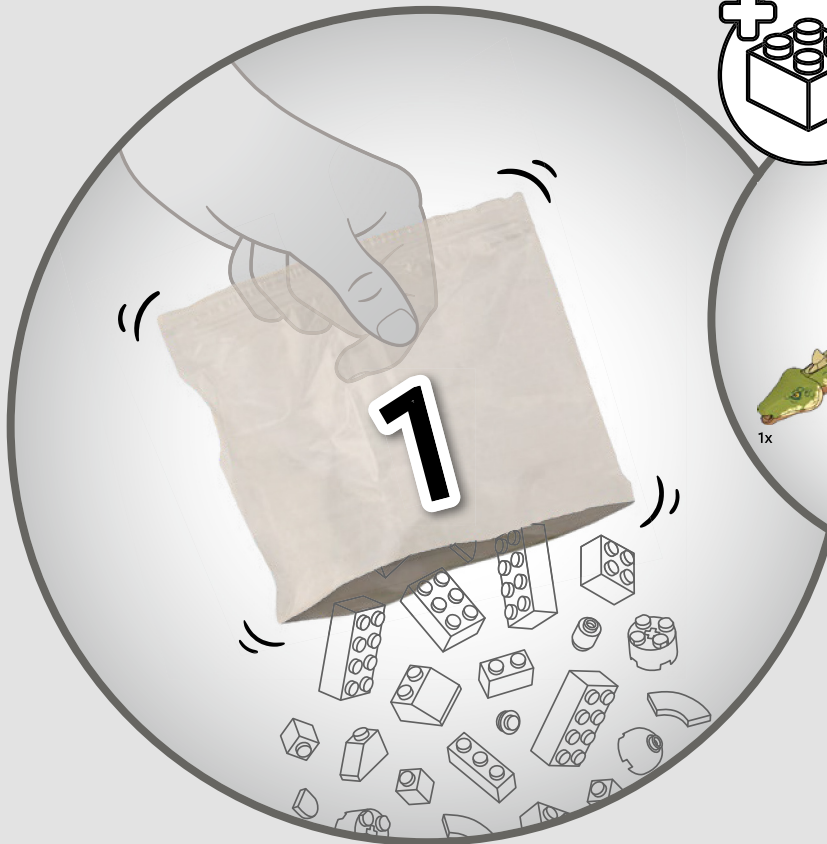
AVERTISSEMENT : RISQUE D'ÉTOUFFEMENT.

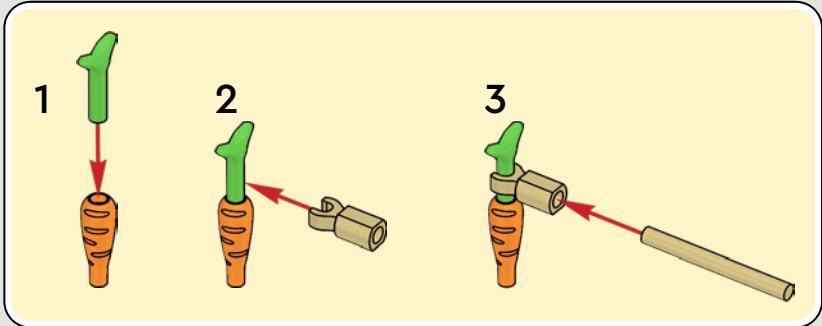
Le jouet contient des petites pièces ainsi qu'une petite boule.
Il ne convient pas aux enfants de moins de 3 ans.



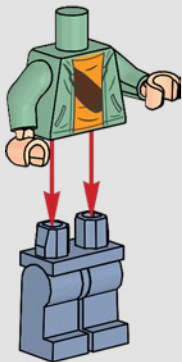
ADVERTENCIA: PELIGRO DE ASFIXIA.

Juguete que contiene partes pequeñas y una pelota pequeña.
No recomendado para niños menores de 3 años.

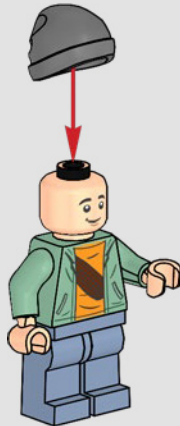




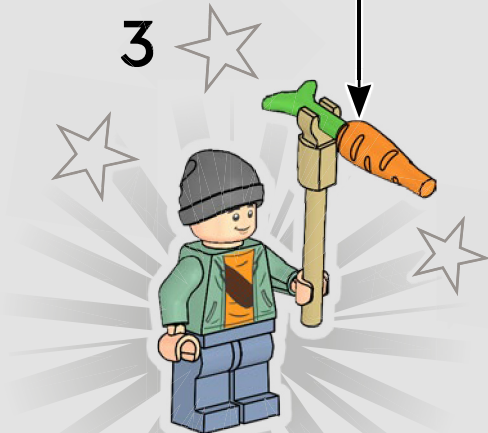
1

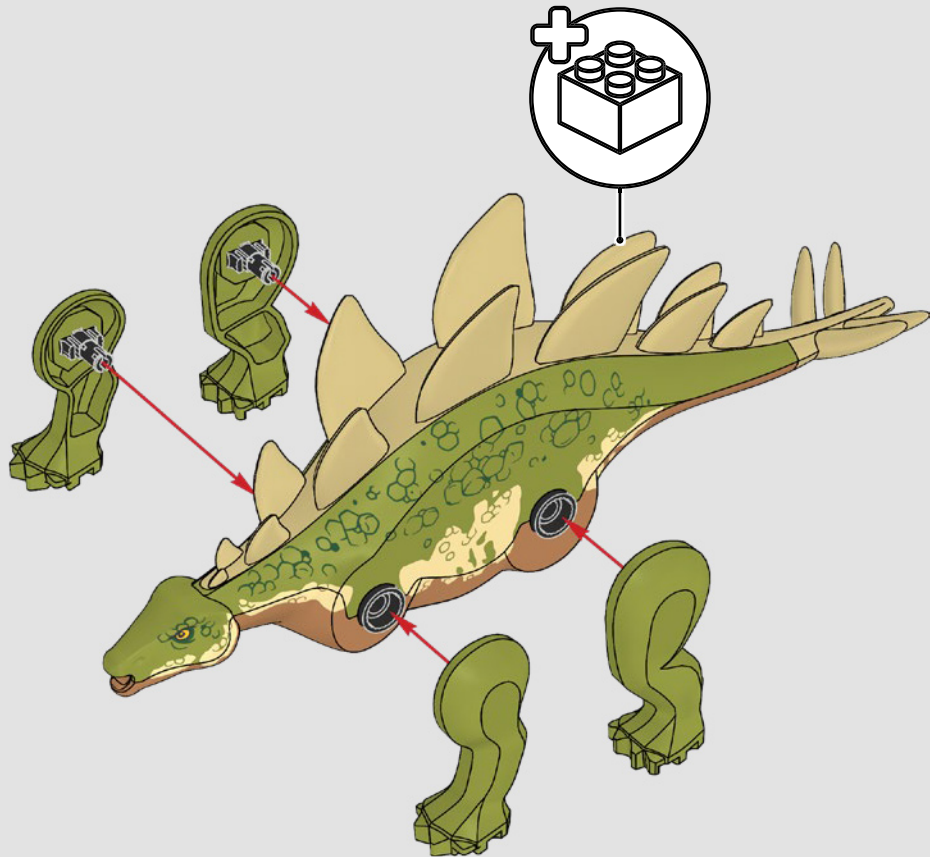
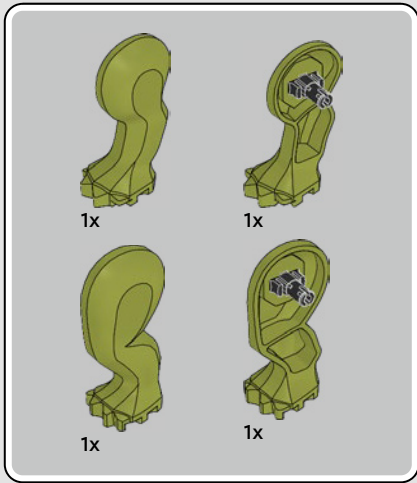


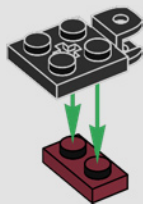
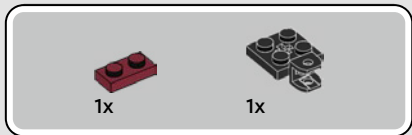
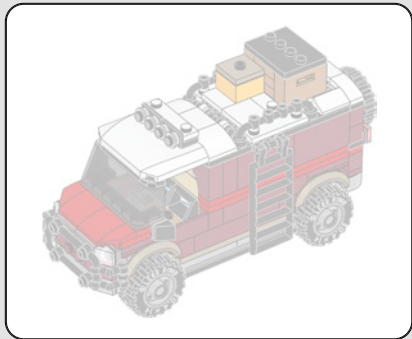
2



3

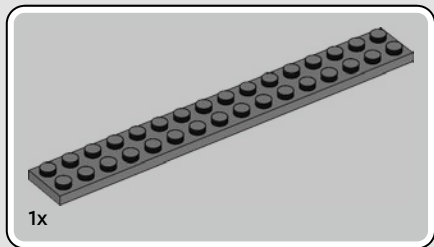




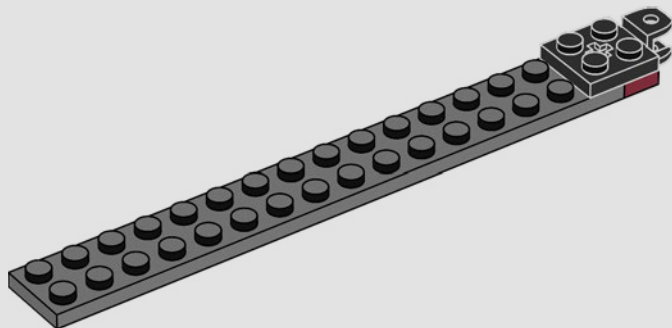


1





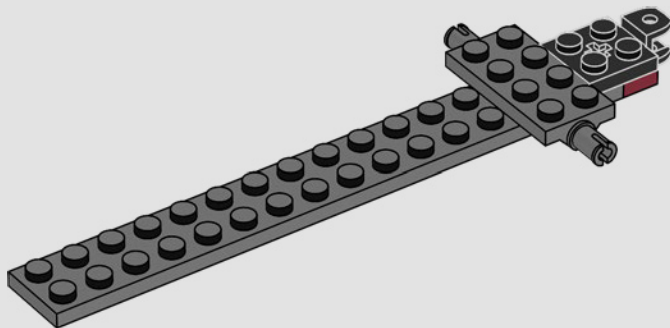
2

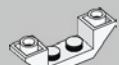




1x

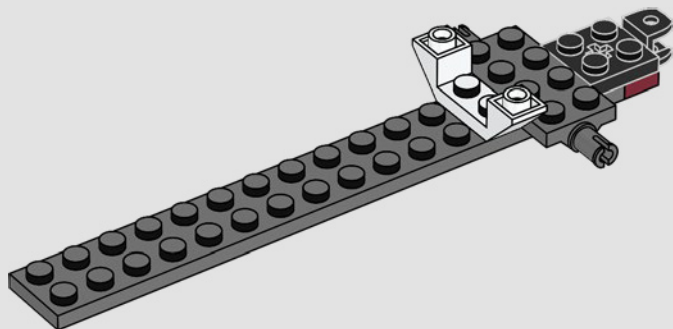
3

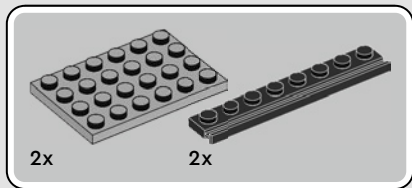




1x

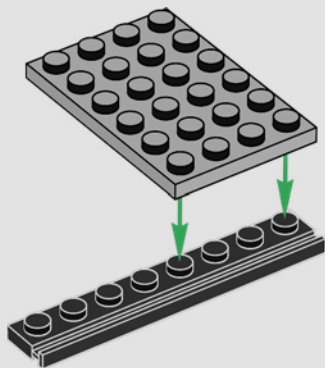
4



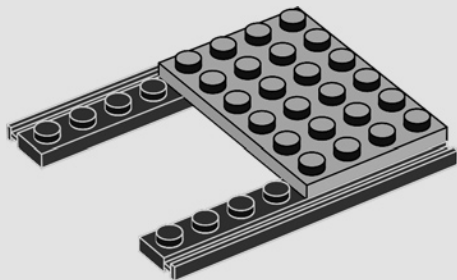


5

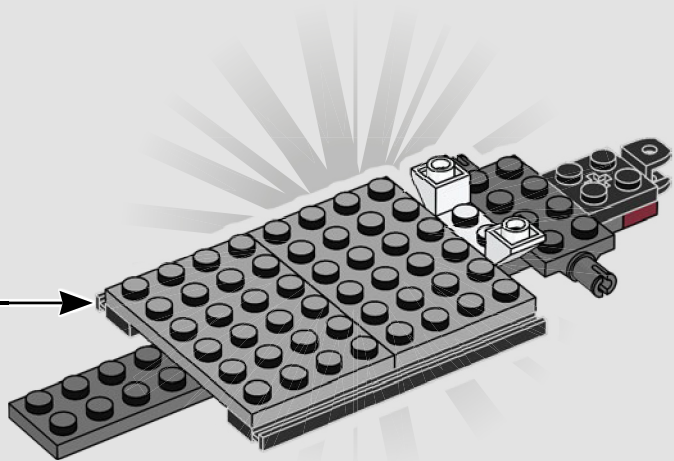
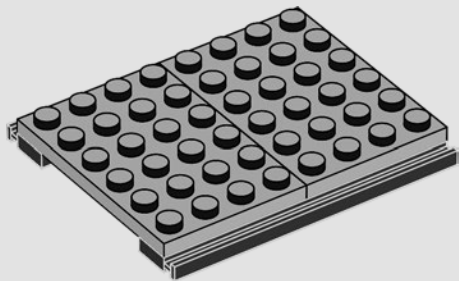
1

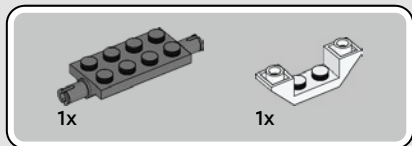


2

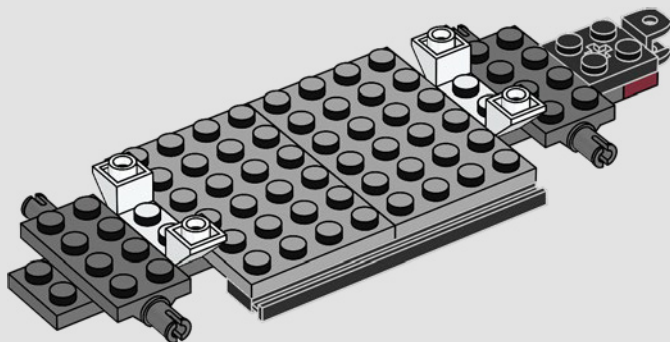


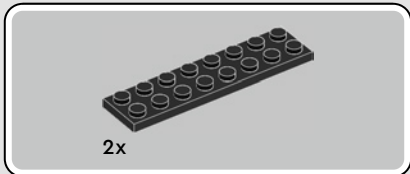
3



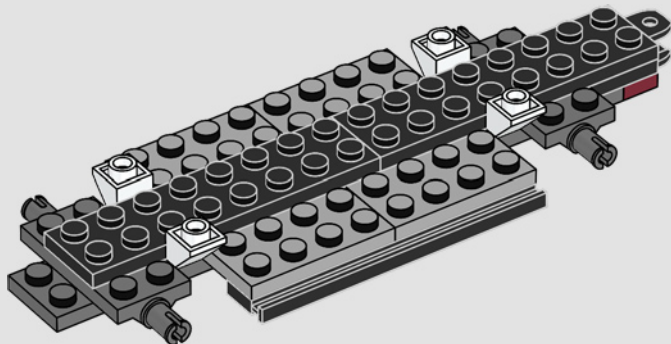


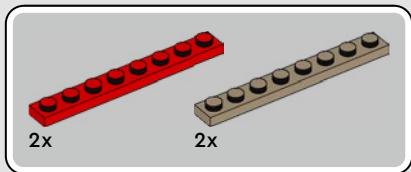
6



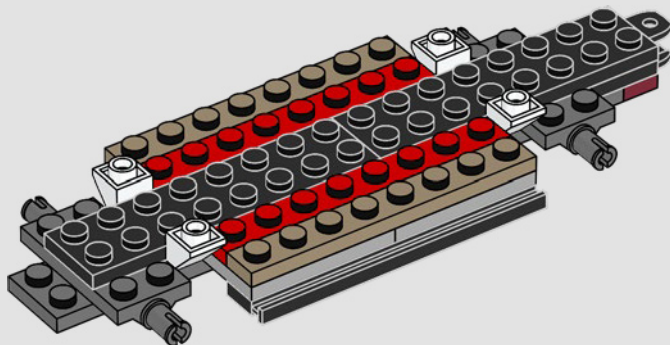


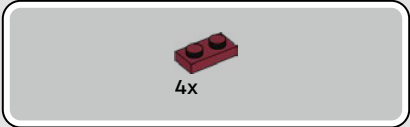
7



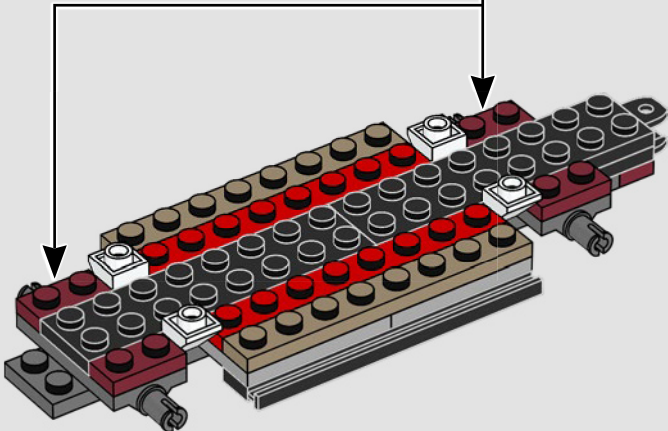
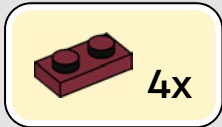


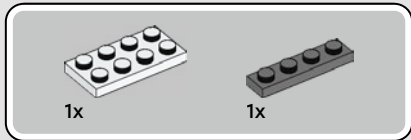
8



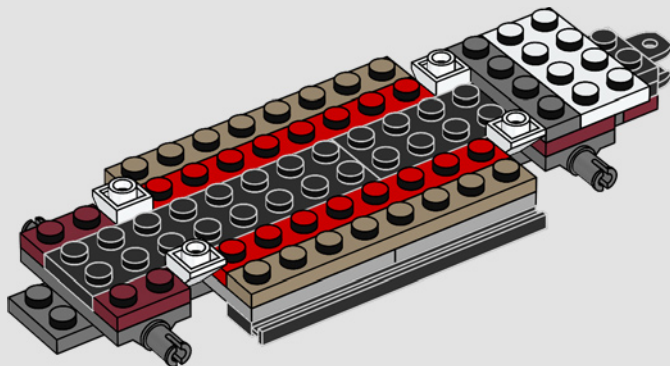


9





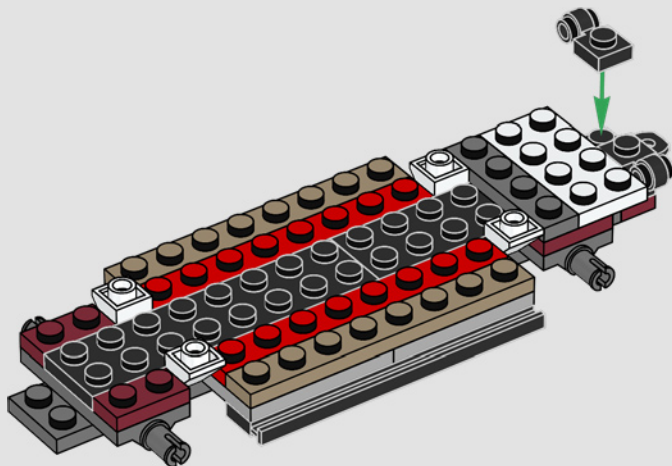
10





2x

11



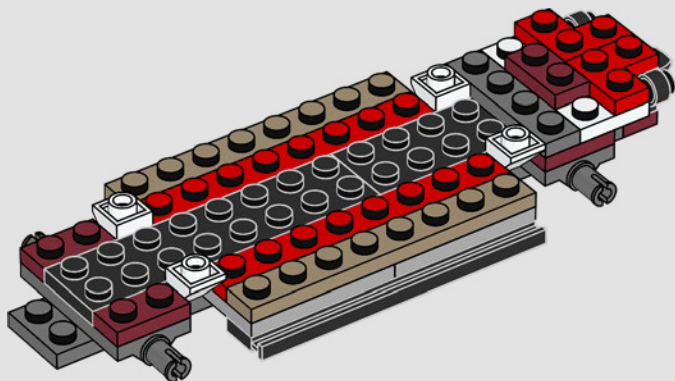


2x



1x

12



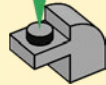
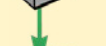
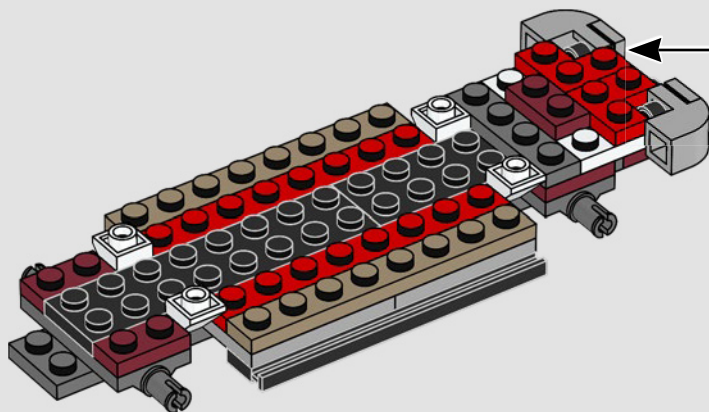


2x

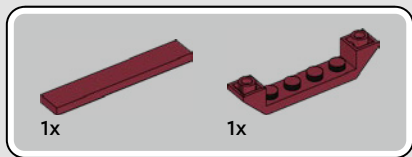


2x

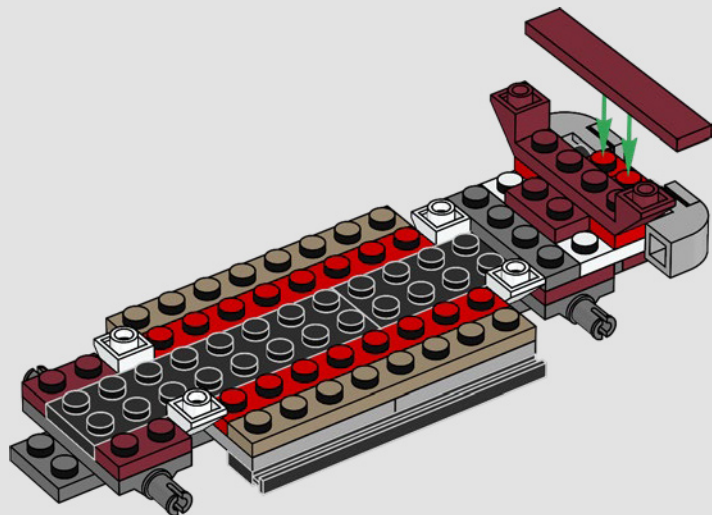
13



2x



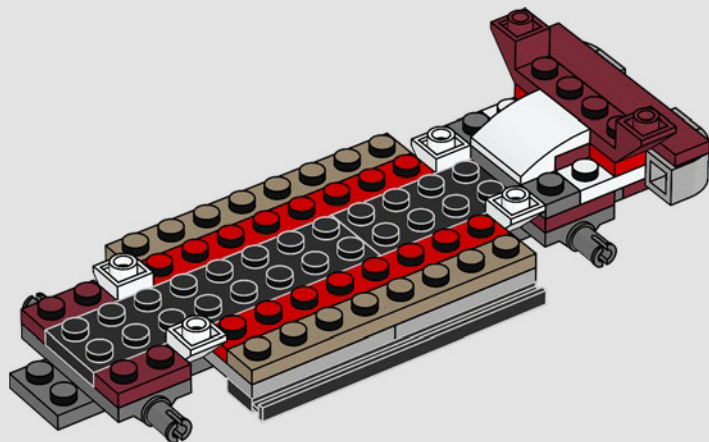
14

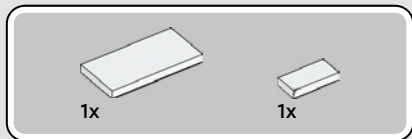




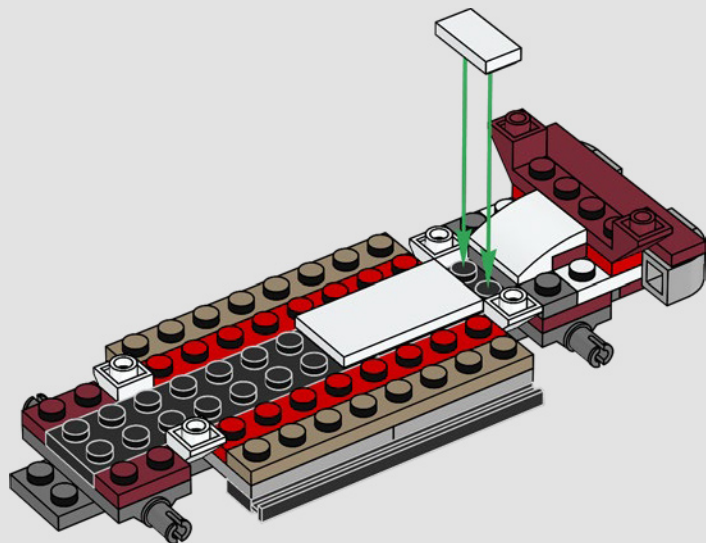
1x

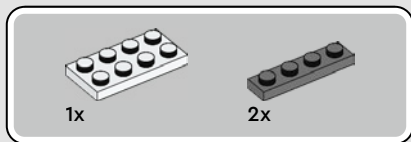
15



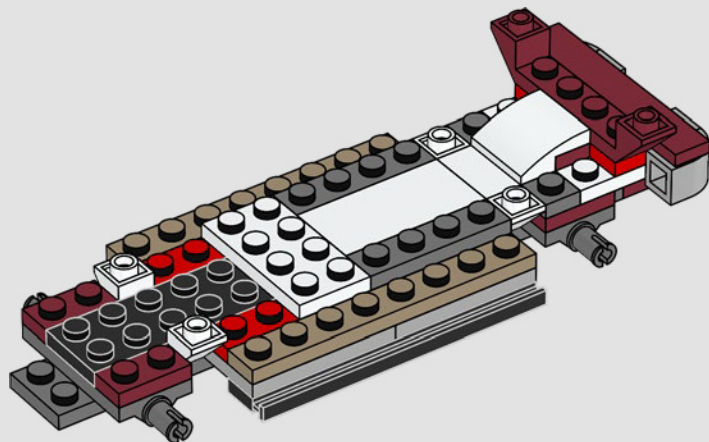


16





17



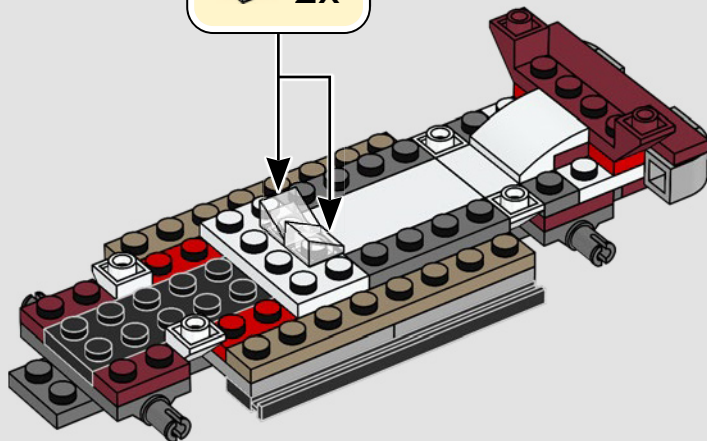


2x

18



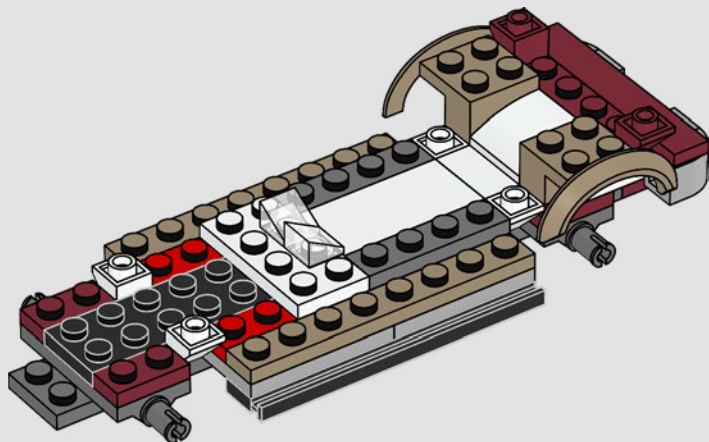
2x

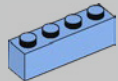




2x

19



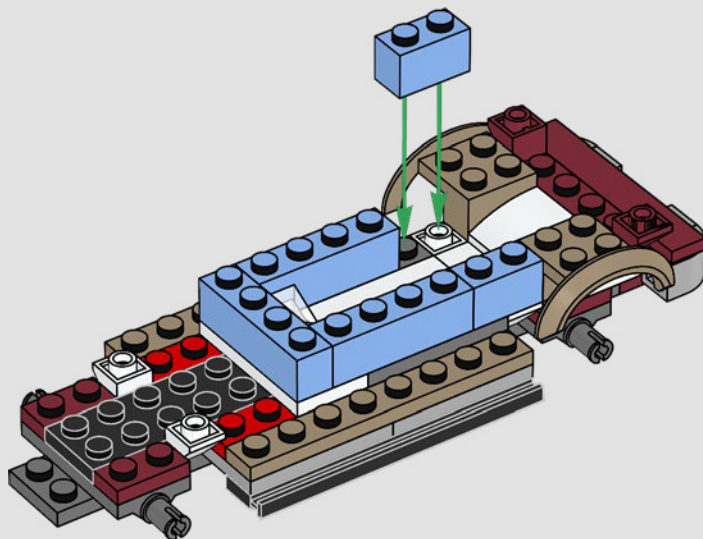


3x



2x

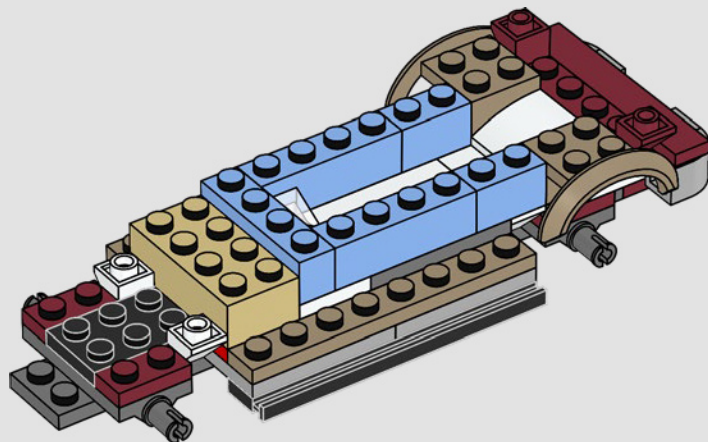
20

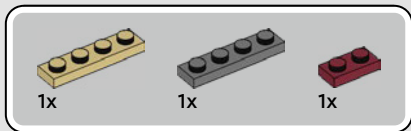




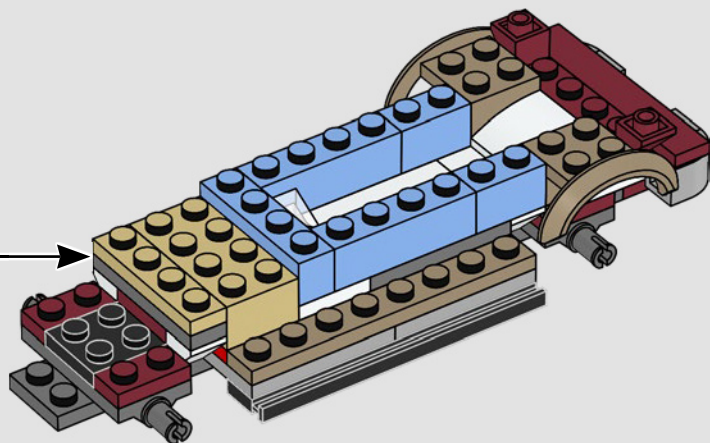
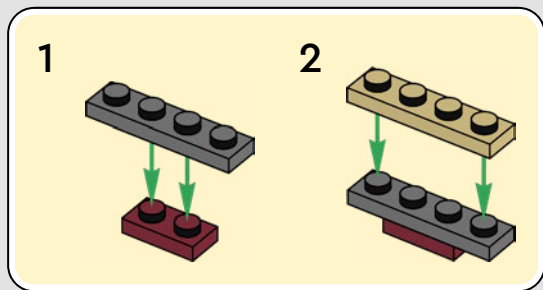
1x

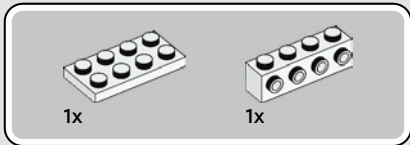
21



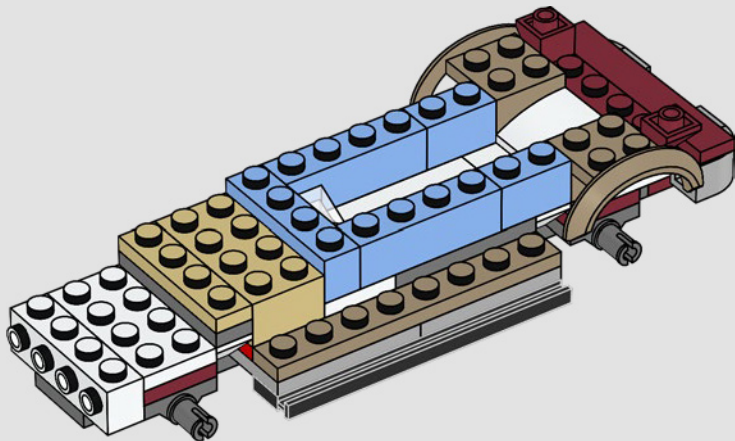


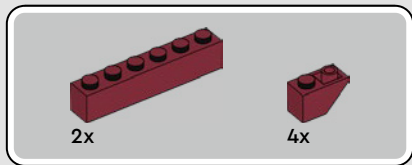
22



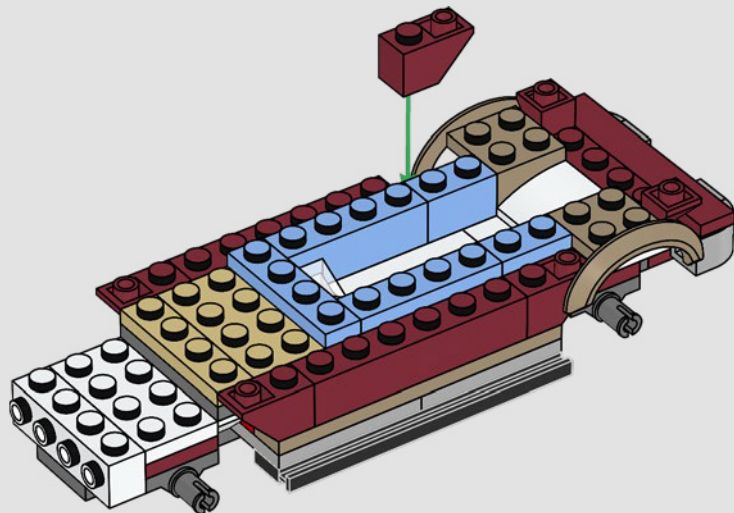


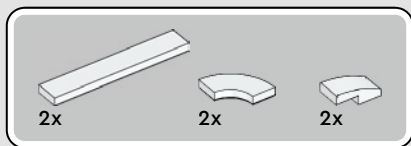
23



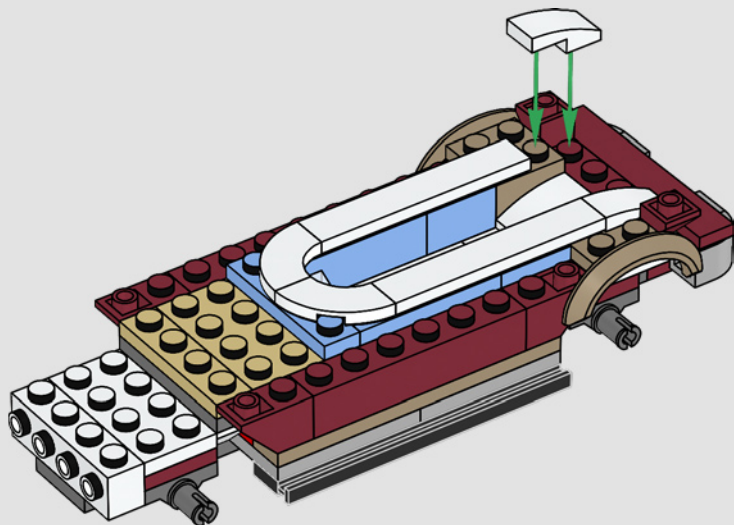


24





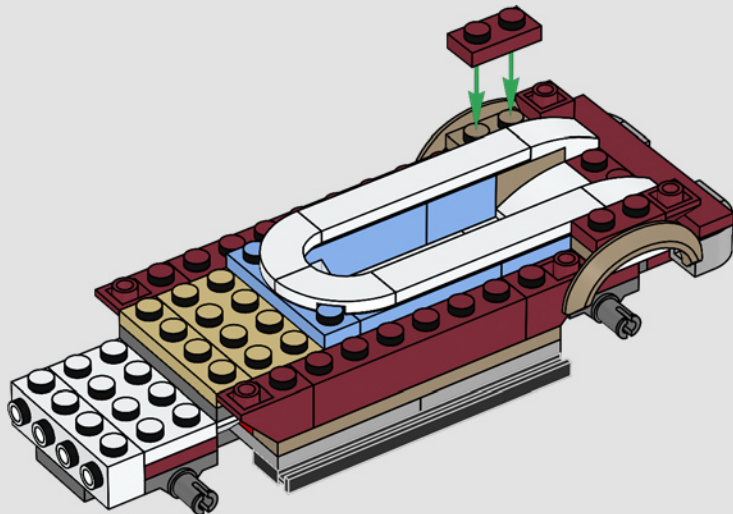
25





2x

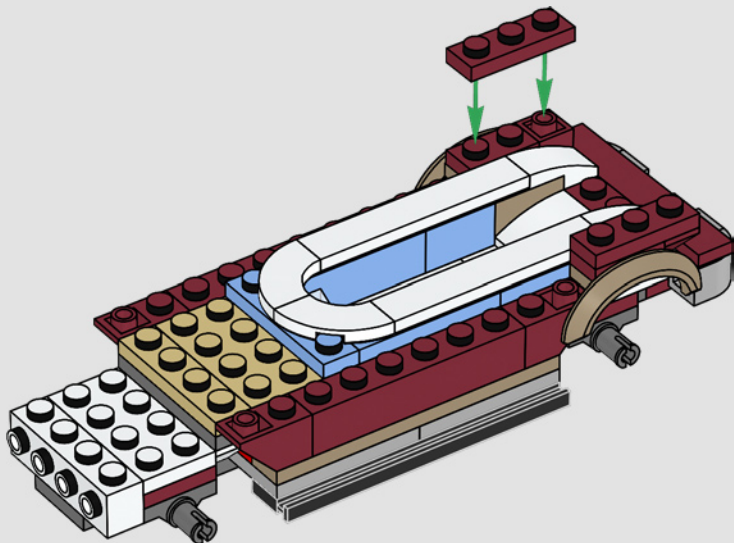
26

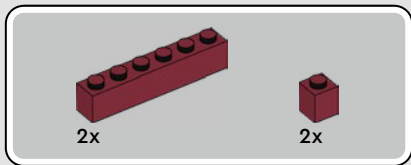




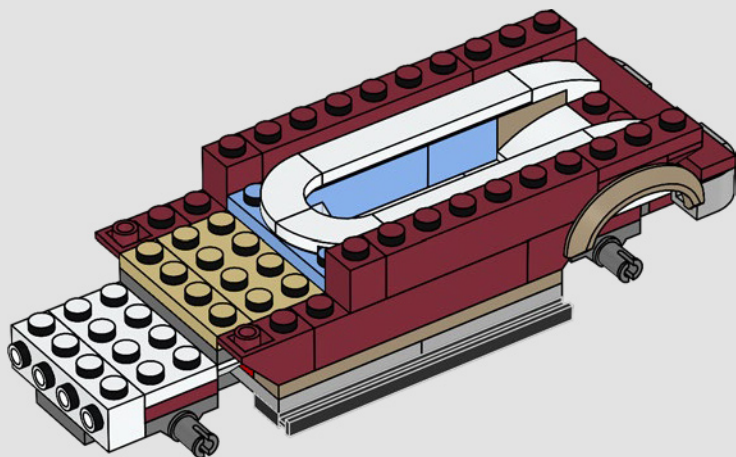
2x

27





28



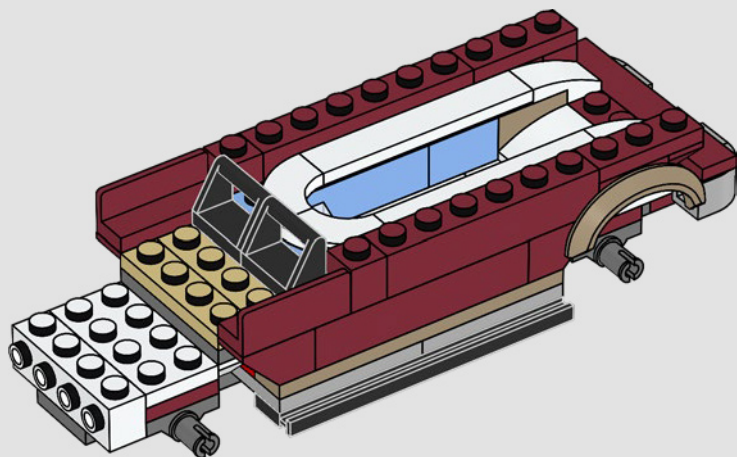


2x



2x

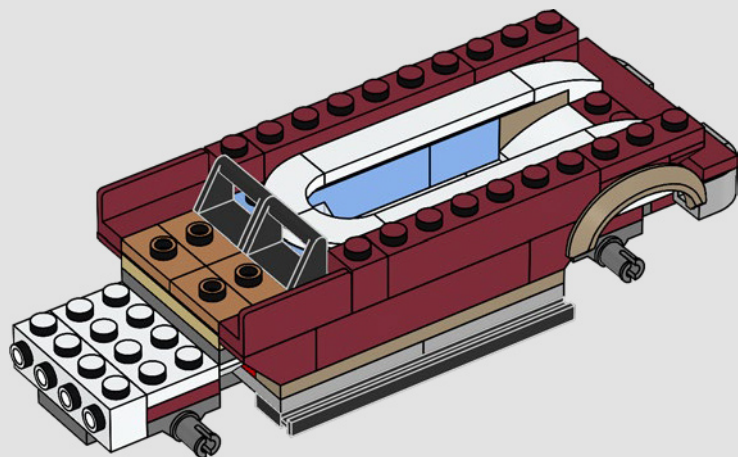
29

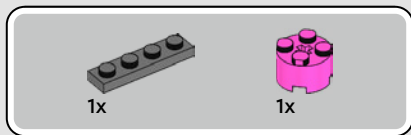




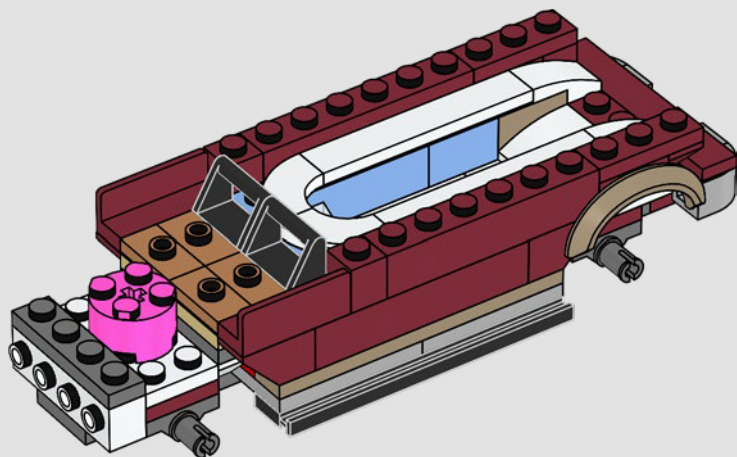
4x

30





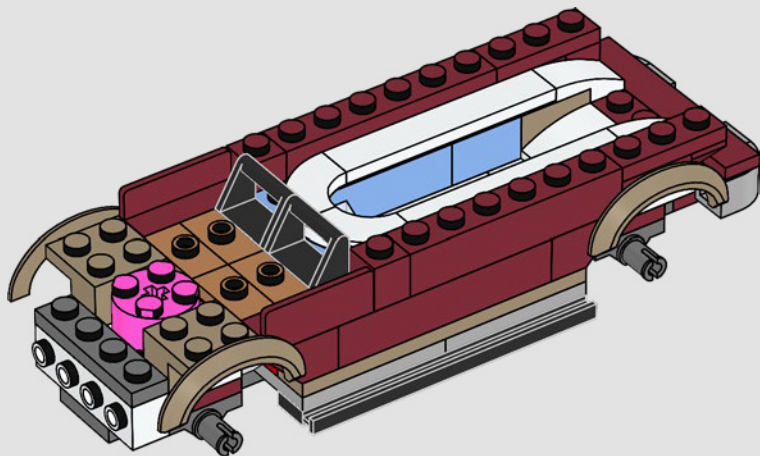
31

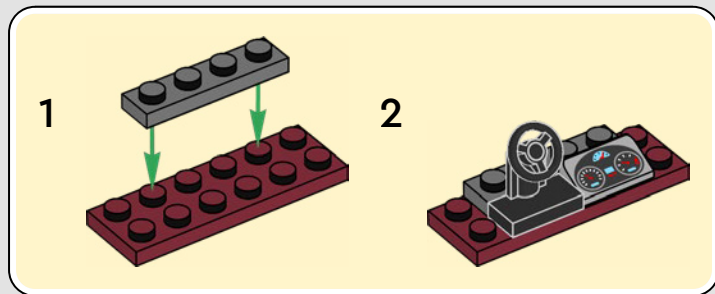
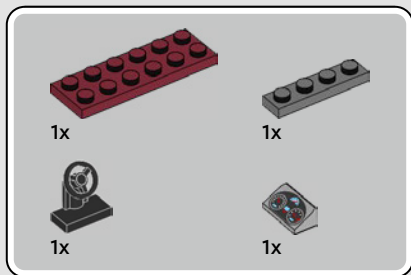




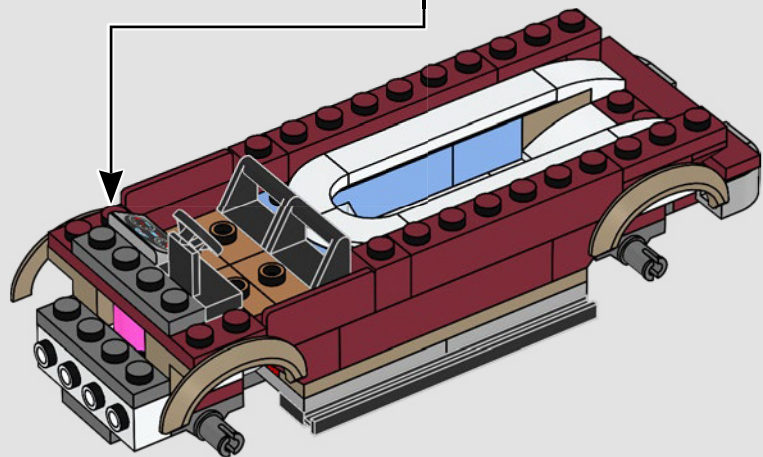
2x

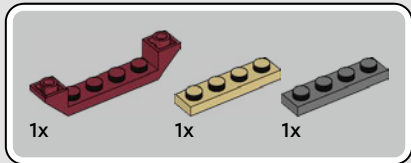
32



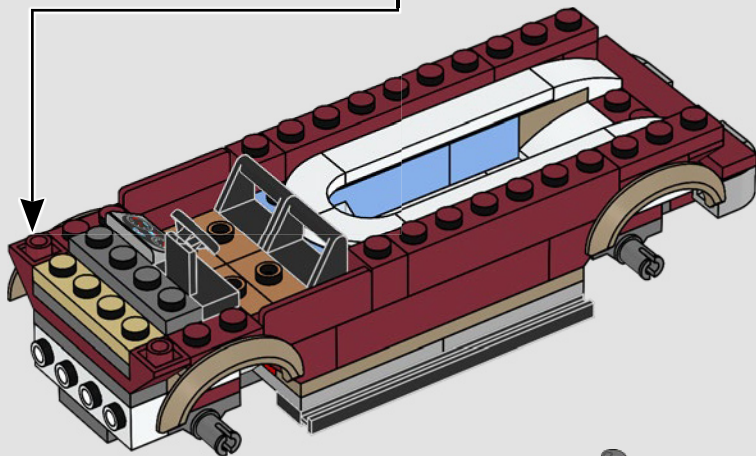
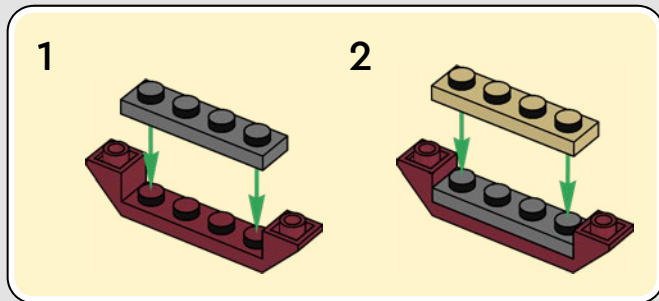


33





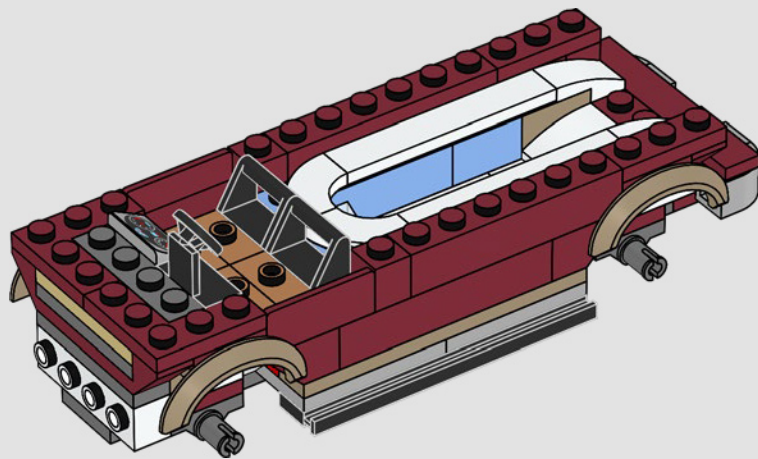
34

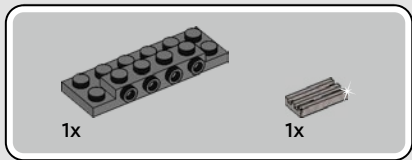
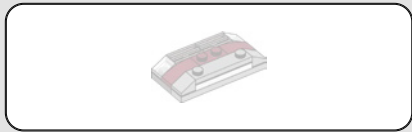




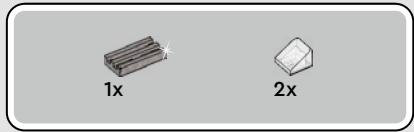
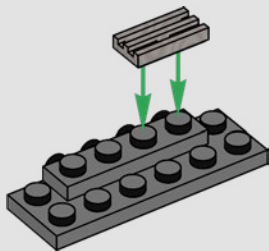
2x

35

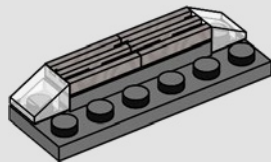




36



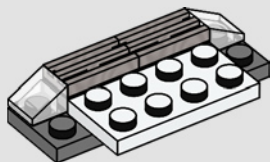
37





1x

38

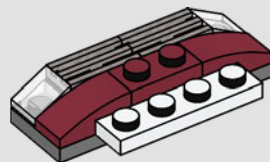


1x



2x

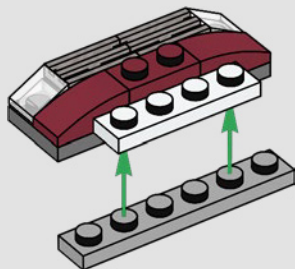
39





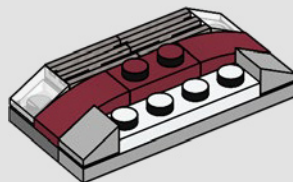
1x

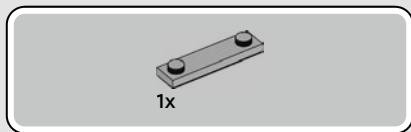
40



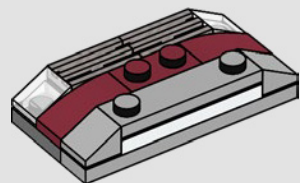
2x

41

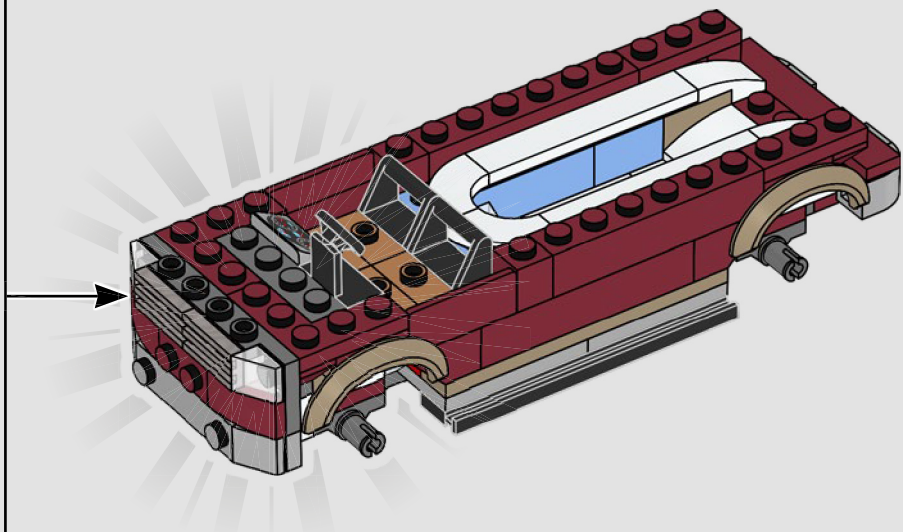




42



43



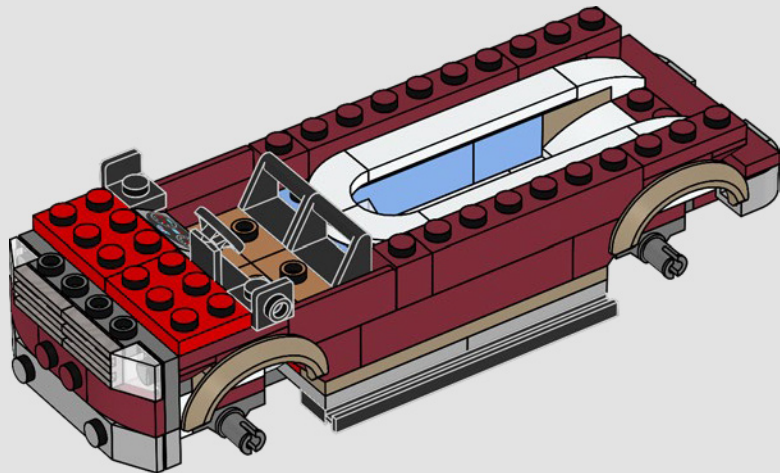


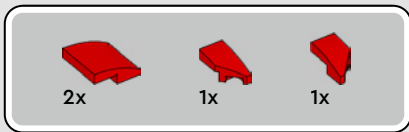
2x



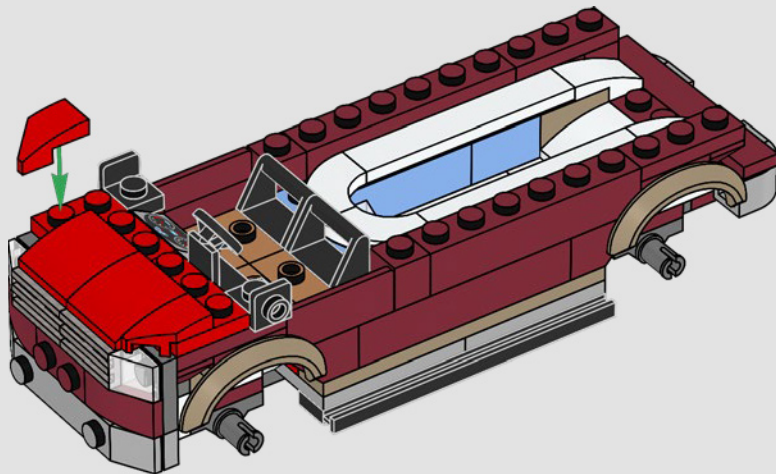
2x

44





45



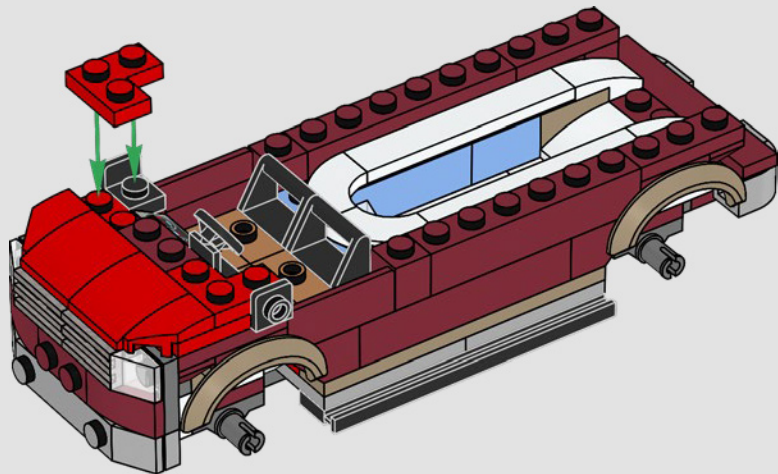


2x



1x

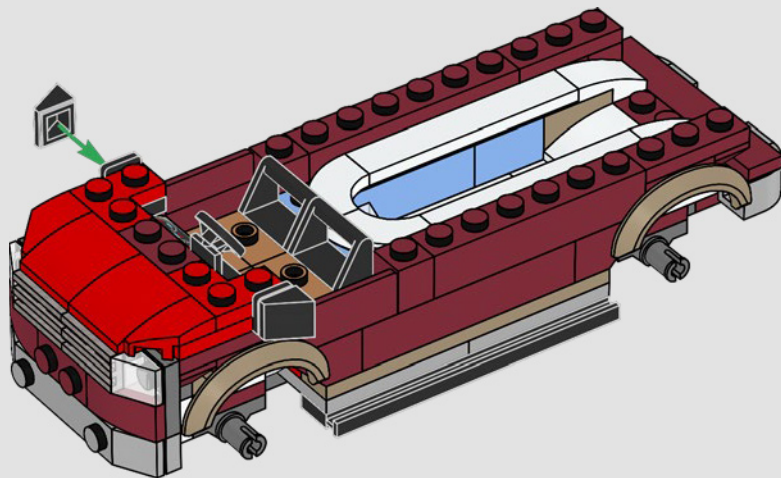
46





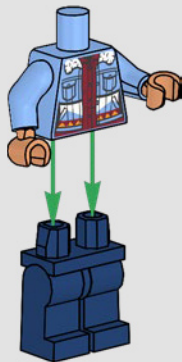
2x

47





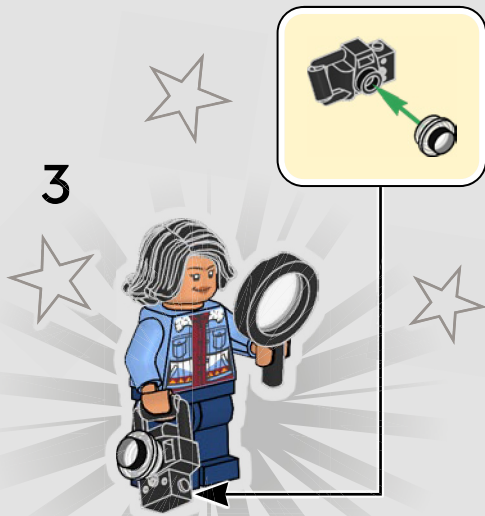
1

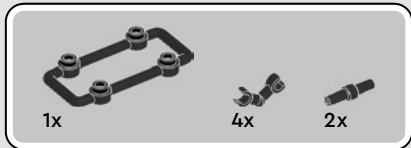


2



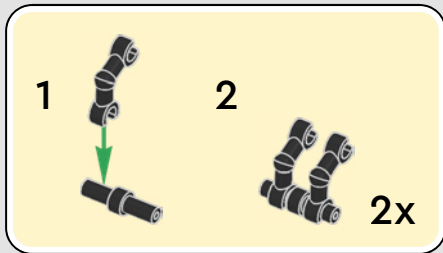
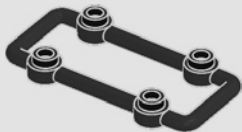
3



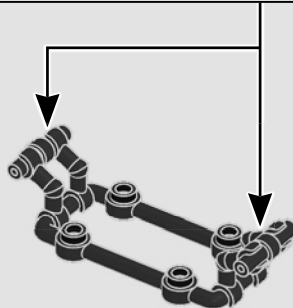


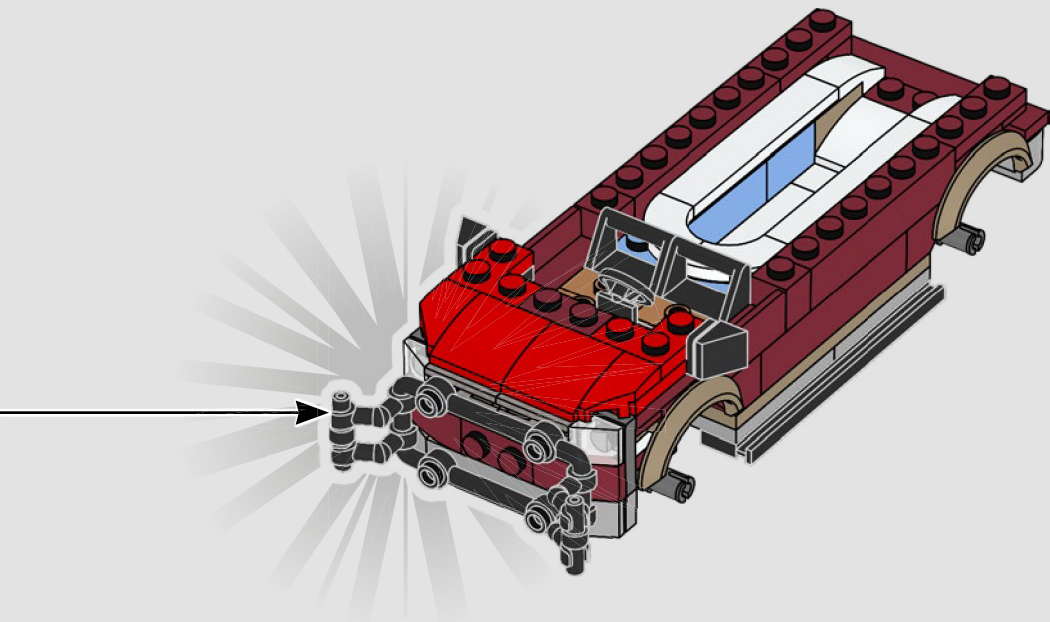
48

1

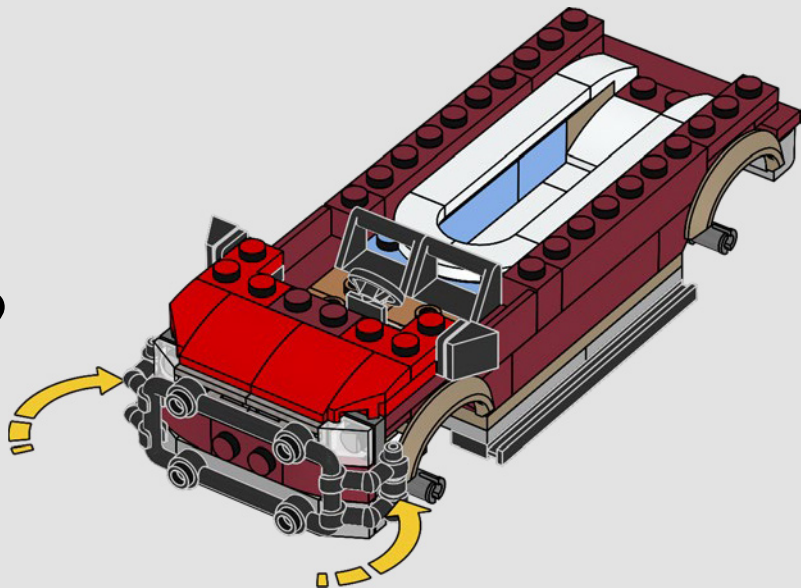


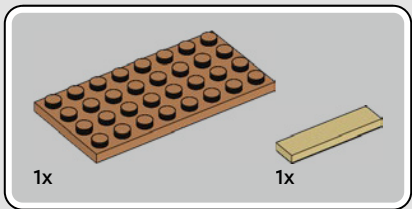
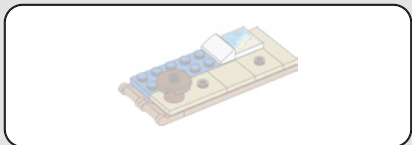
2



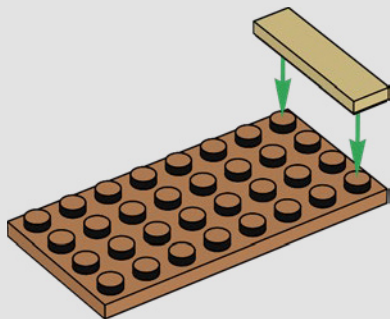


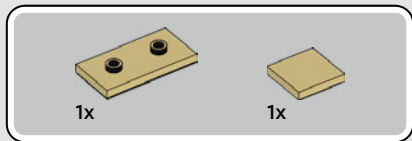
49



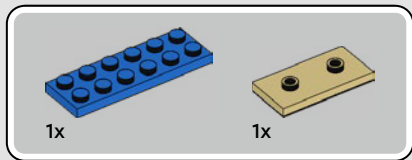
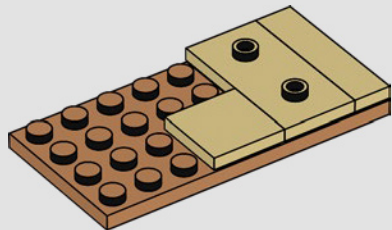


50

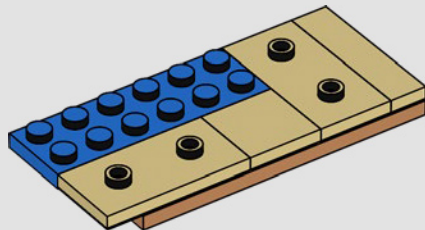




51



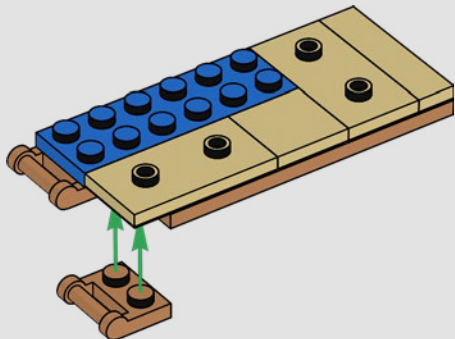
52





2x

53

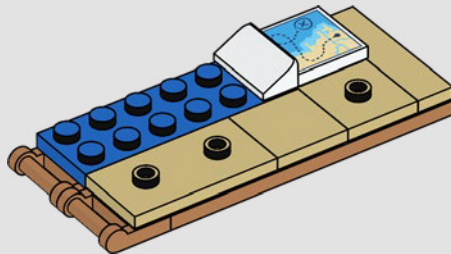


1x



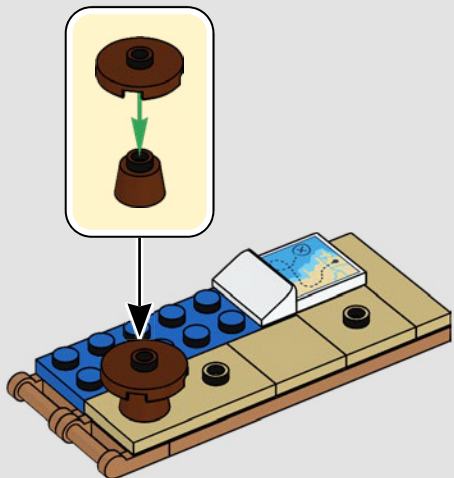
1x

54

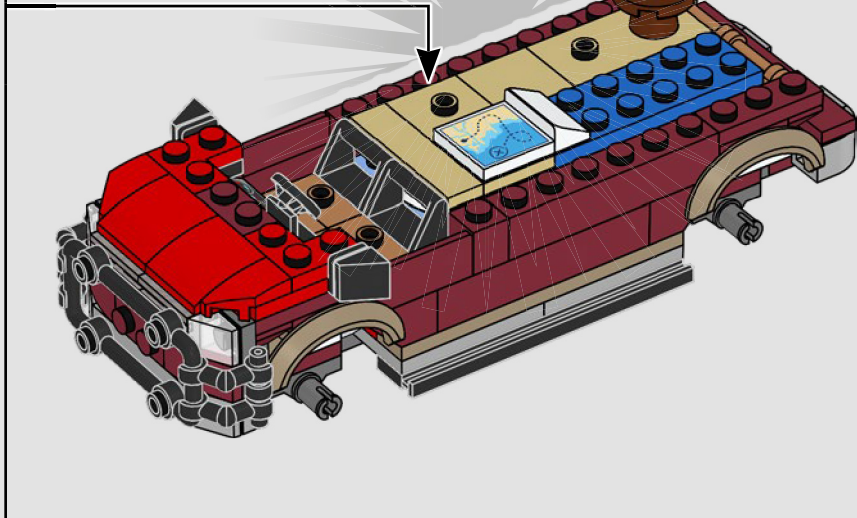


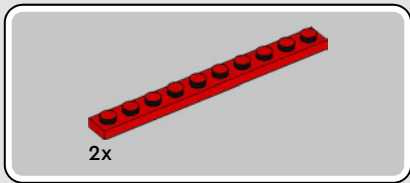


55

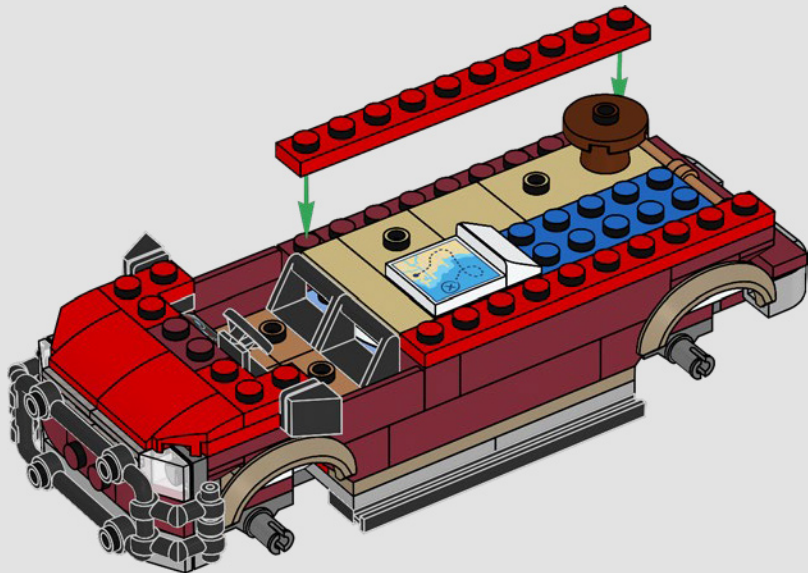


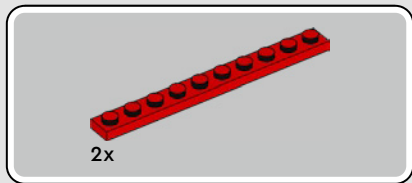
56



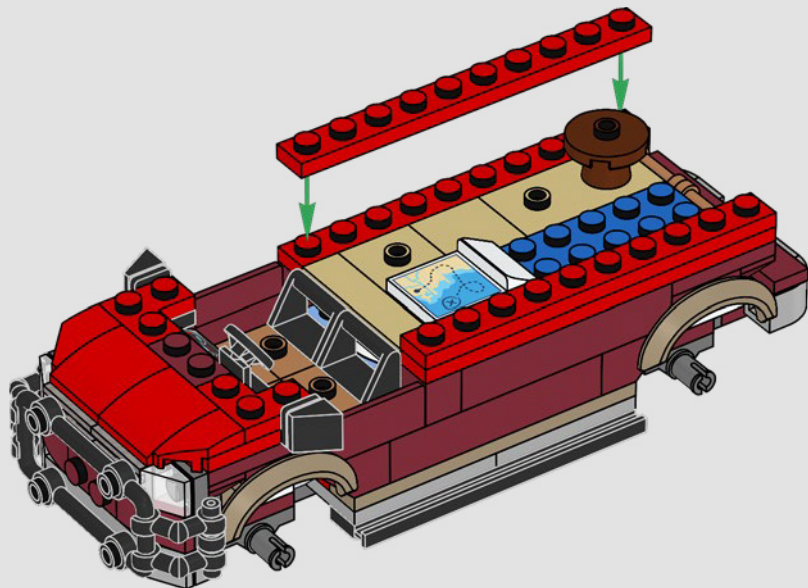


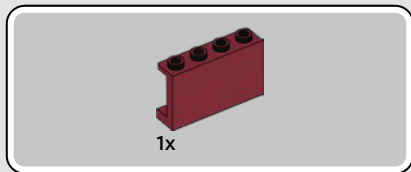
57



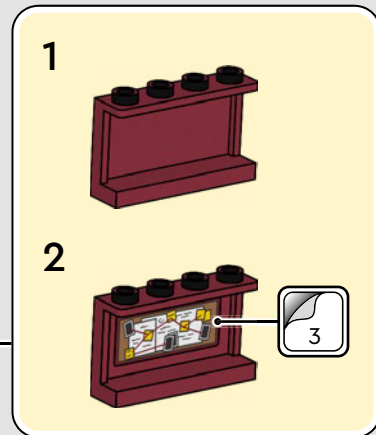
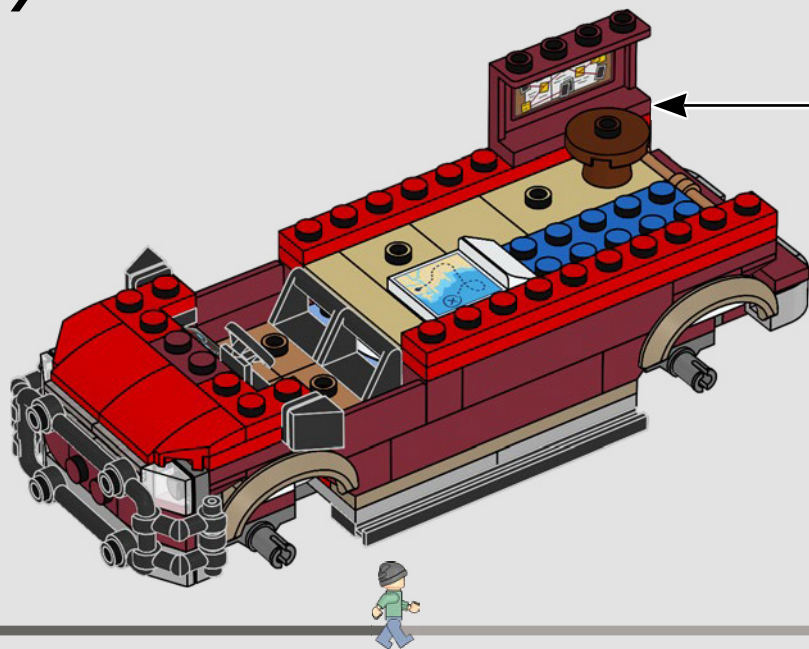


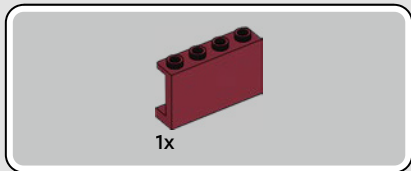
58



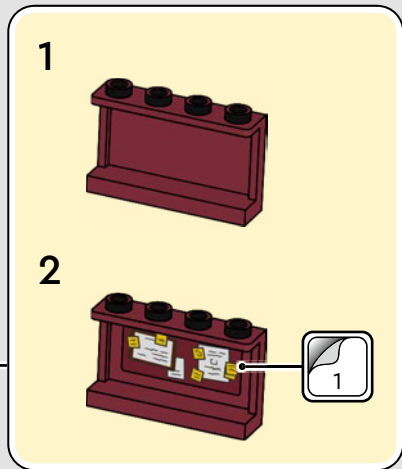
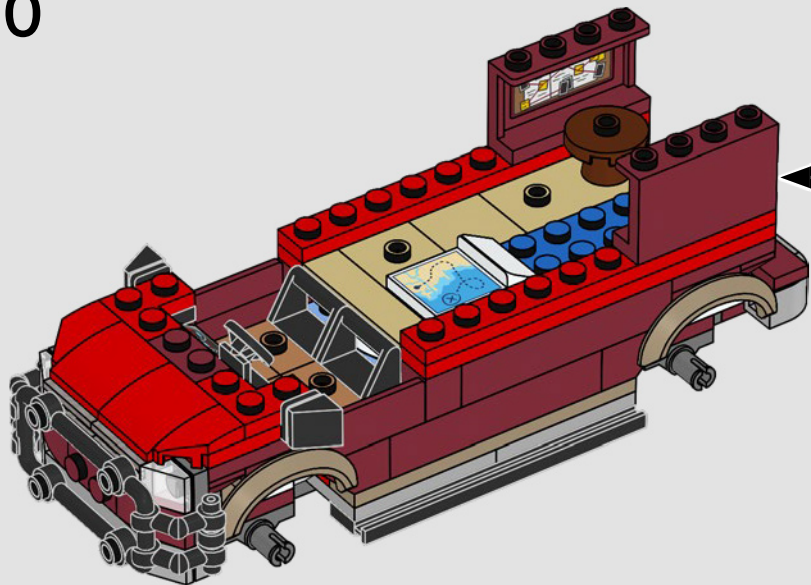


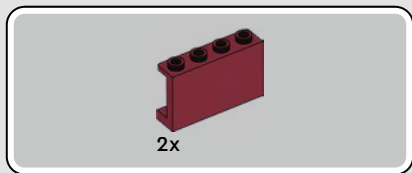
59



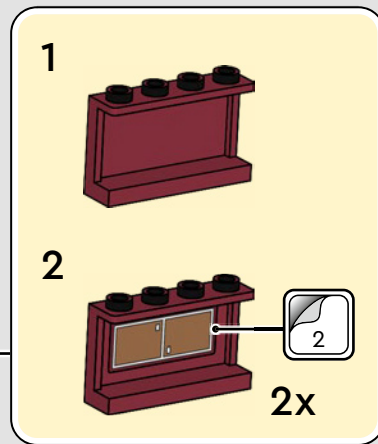
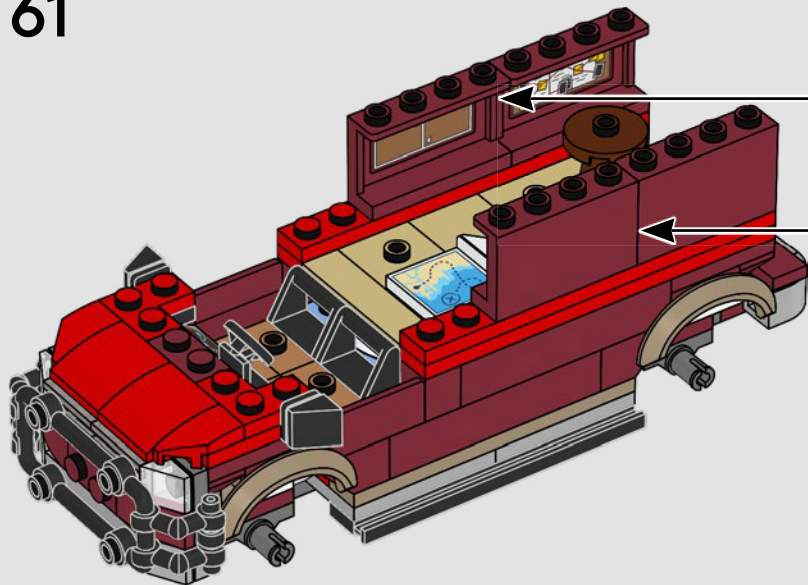


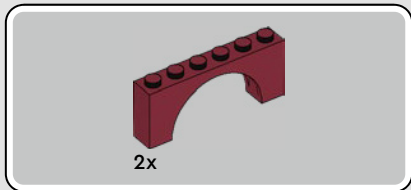
60



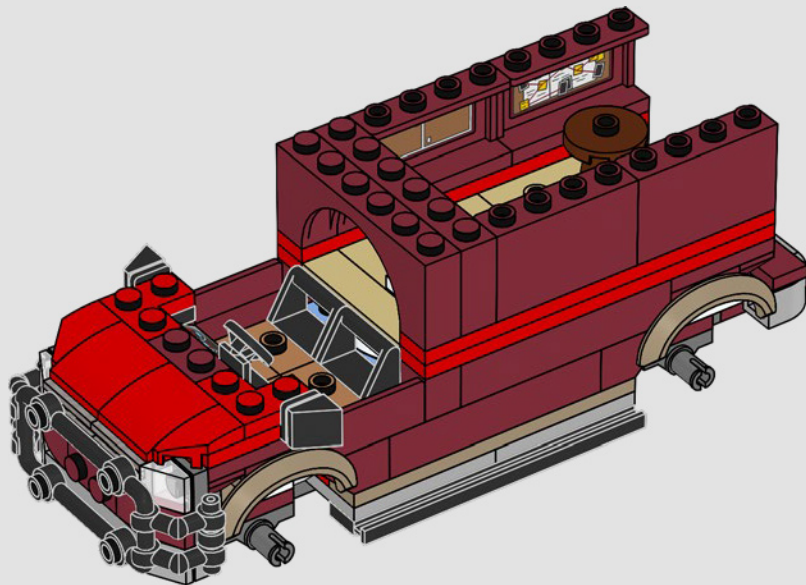


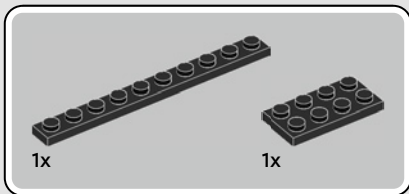
61



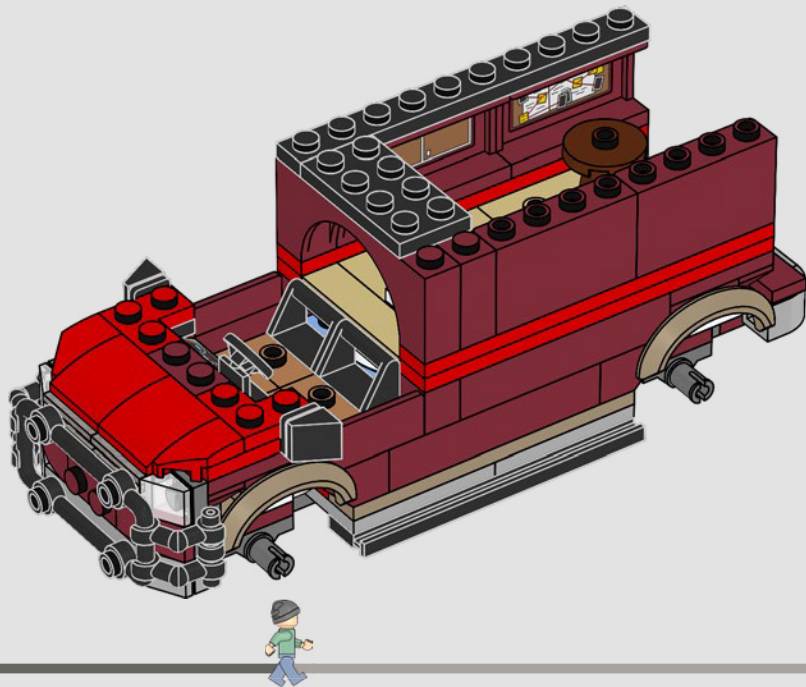


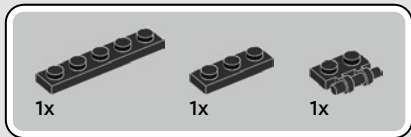
62



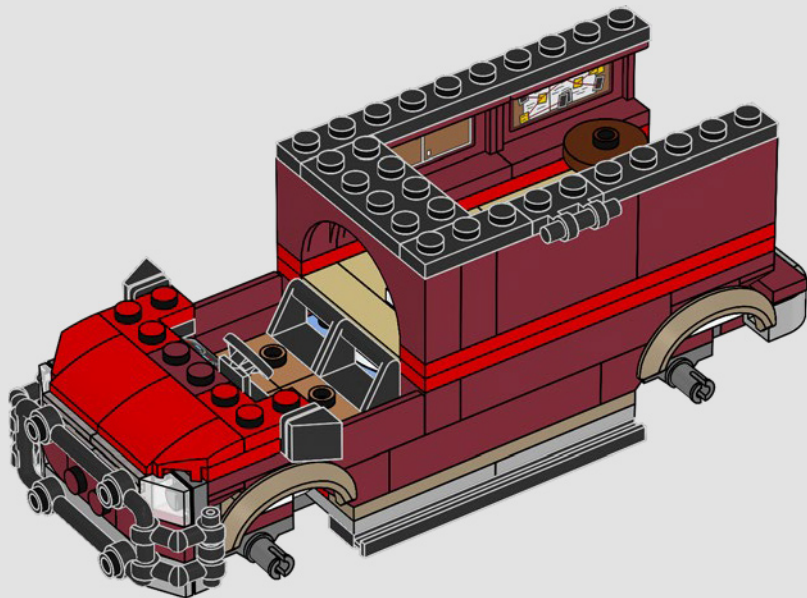


63





64



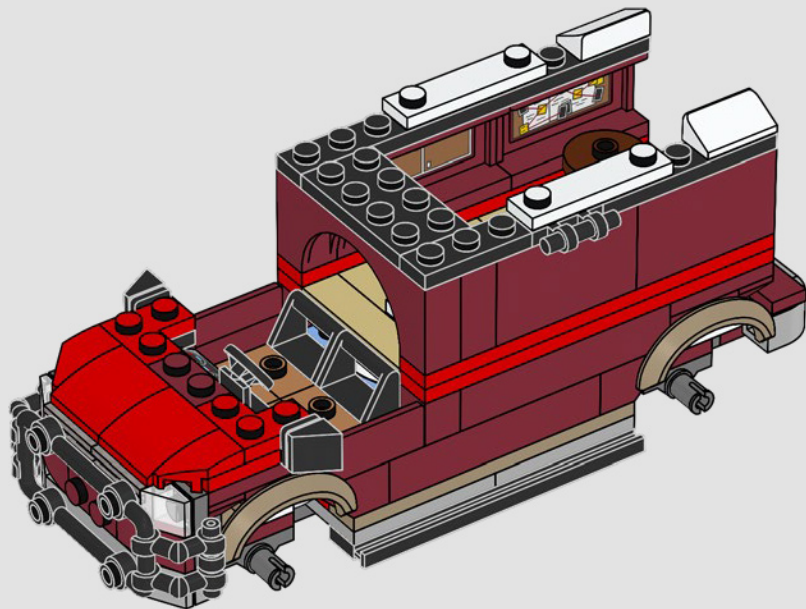


2x



2x

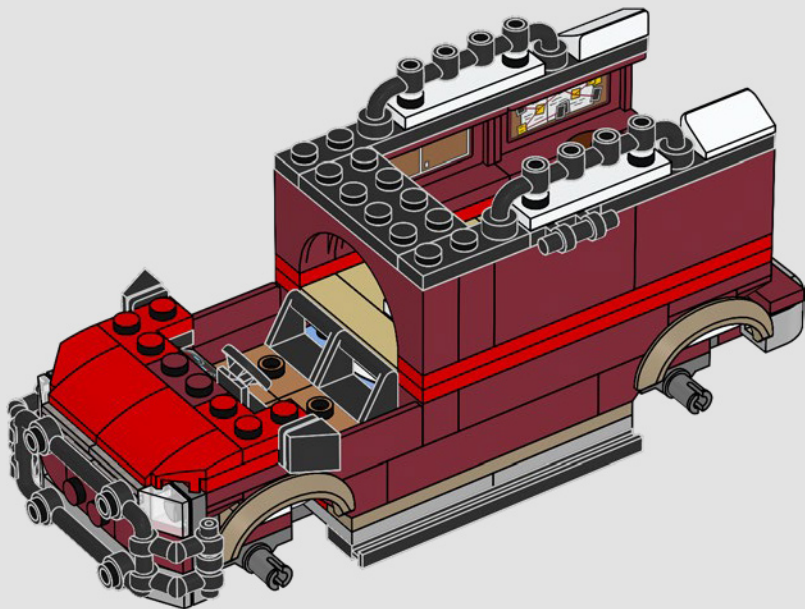
65





2x

66



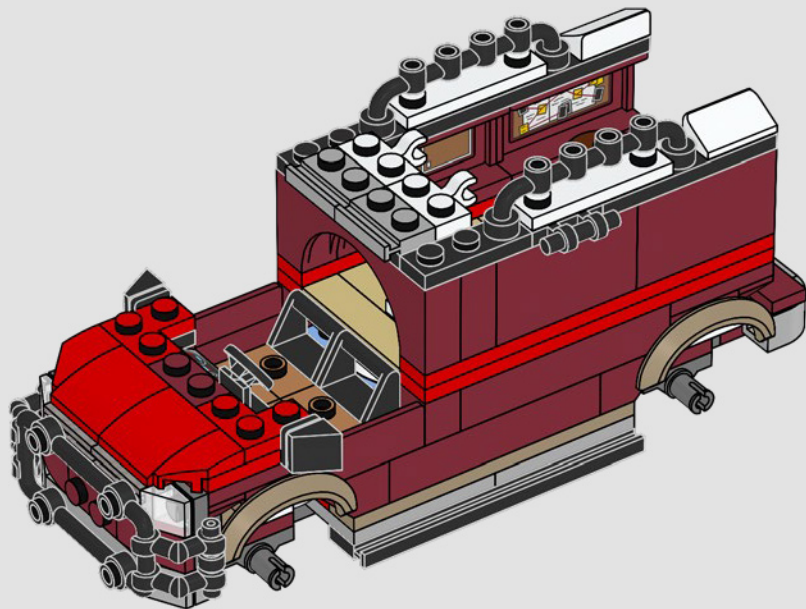


2x



2x

67



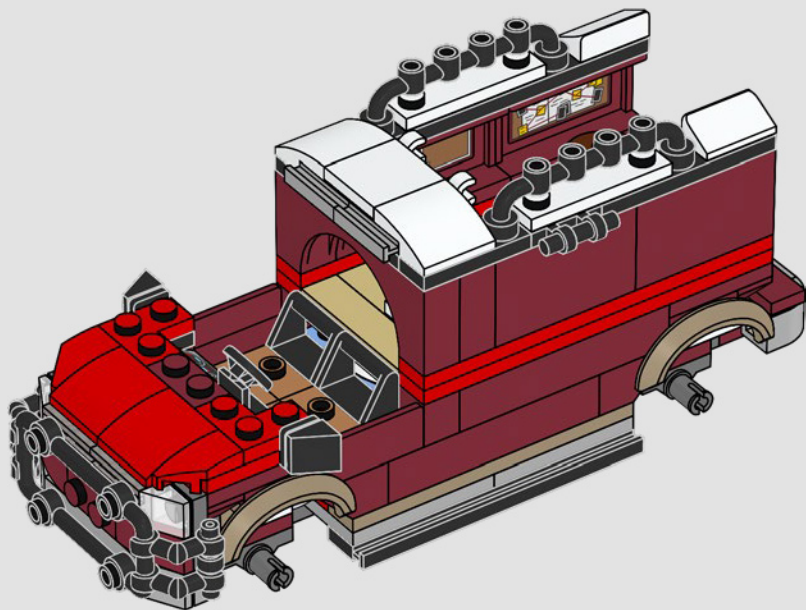


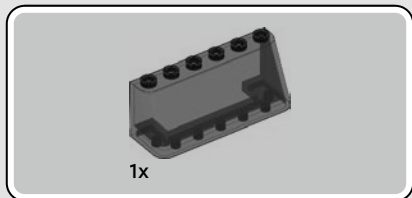
1x



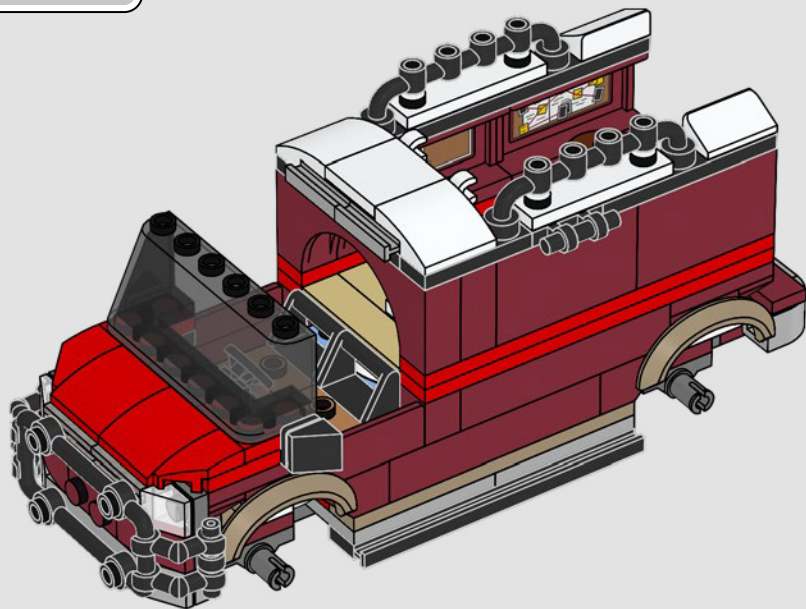
2x

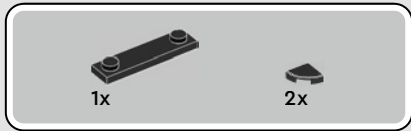
68



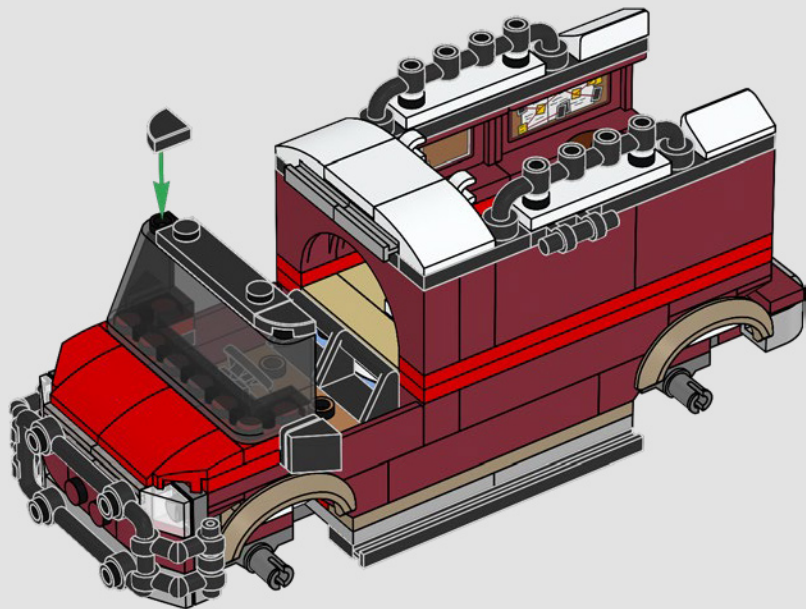


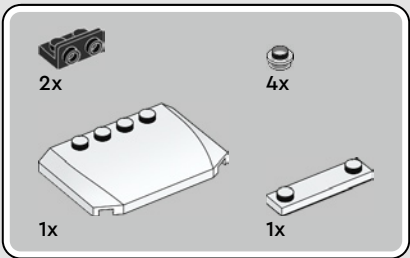
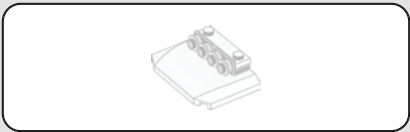
69



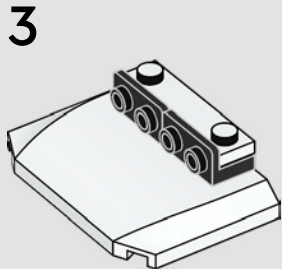
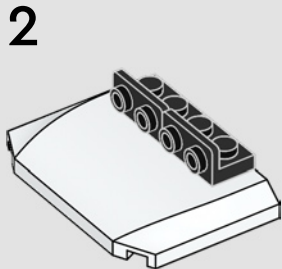
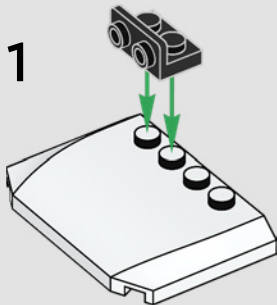


70

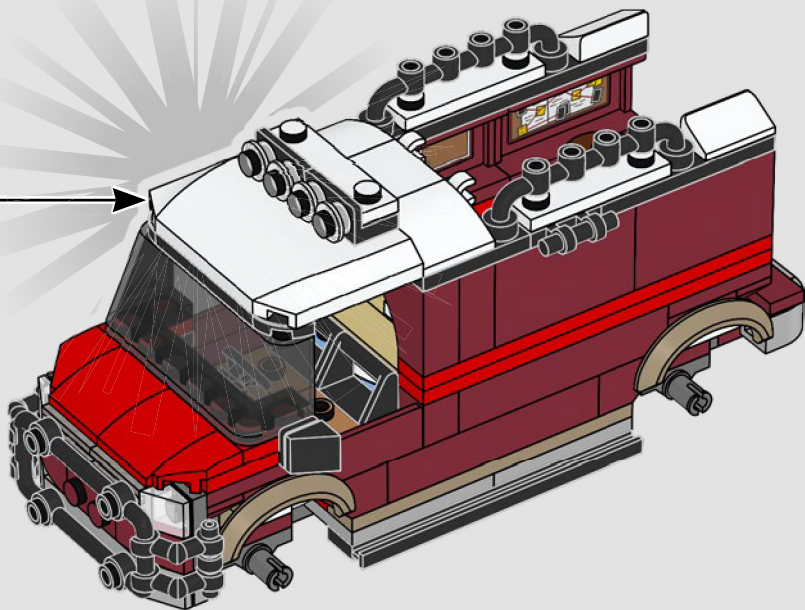
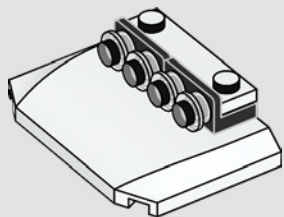


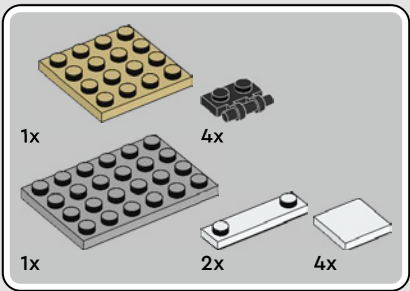
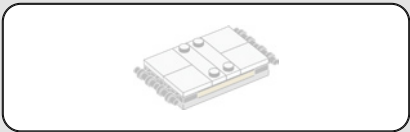


71

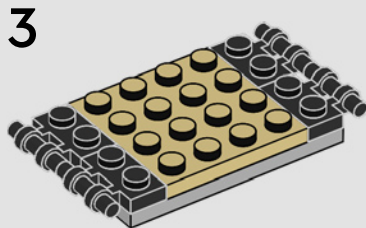
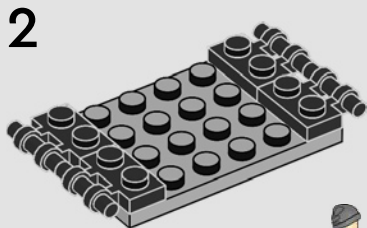
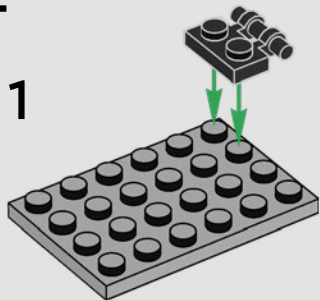


4

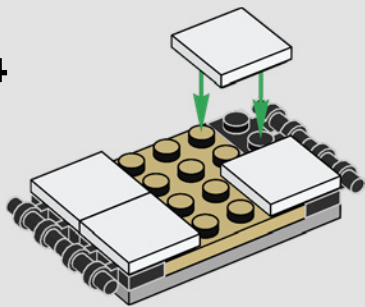




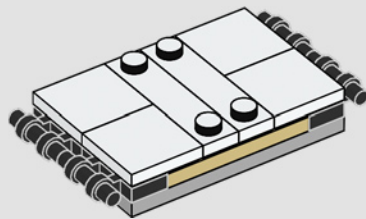
72

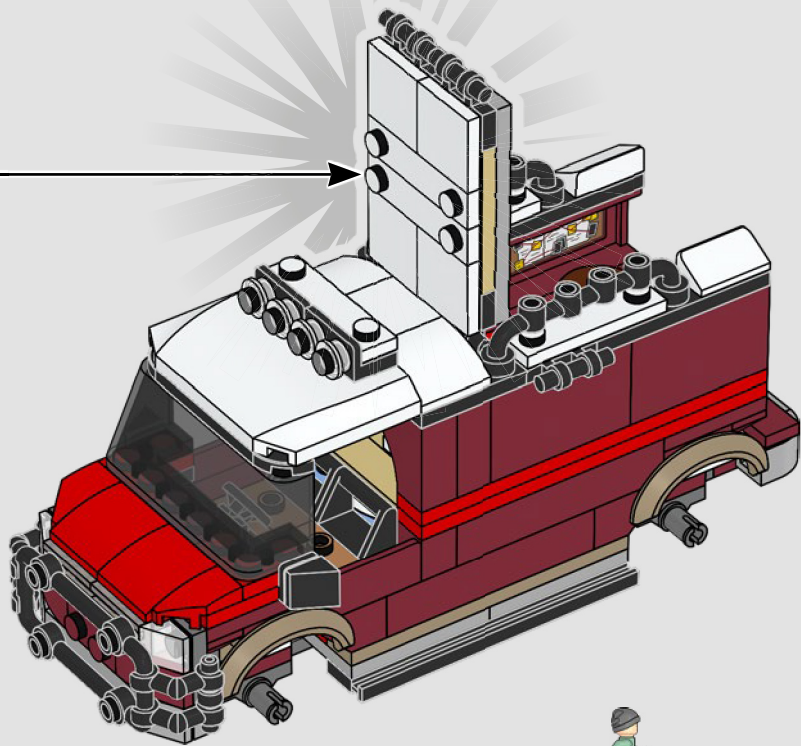


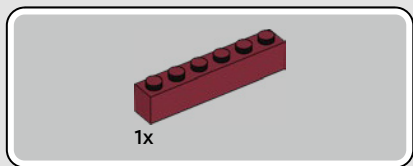
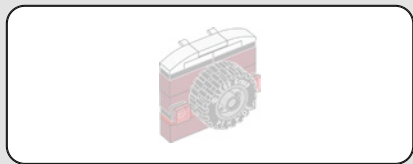
4



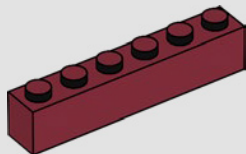
5



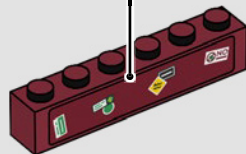


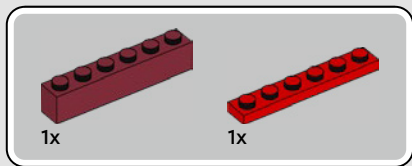


73

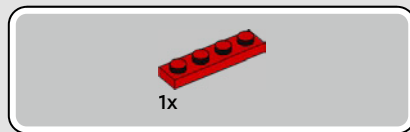
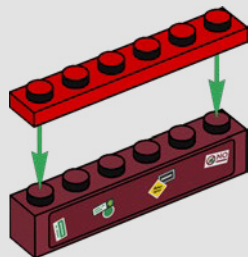


74

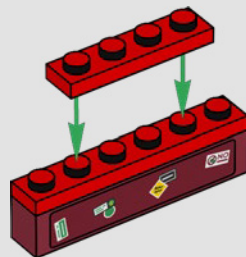




75



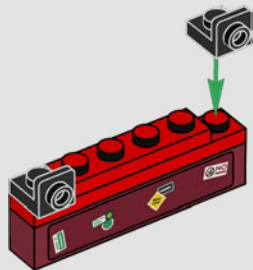
76





2x

77

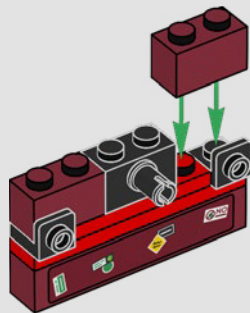


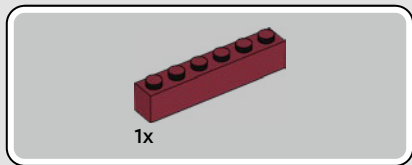
2x



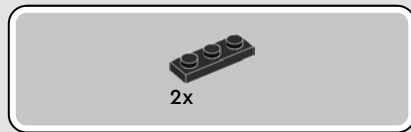
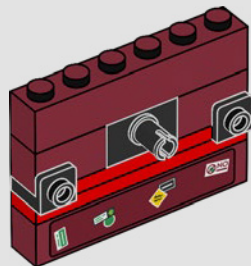
1x

78

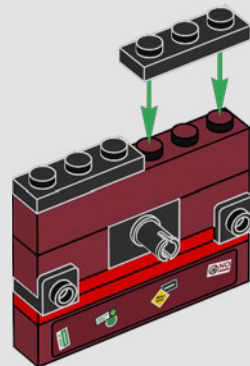




79



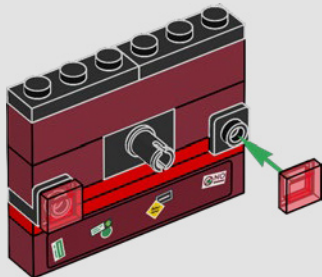
80





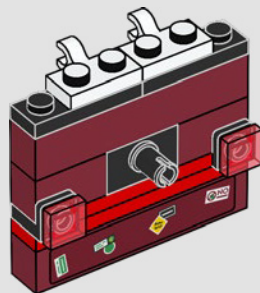
2x

81



2x

82



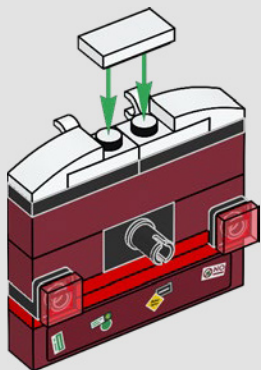


1x

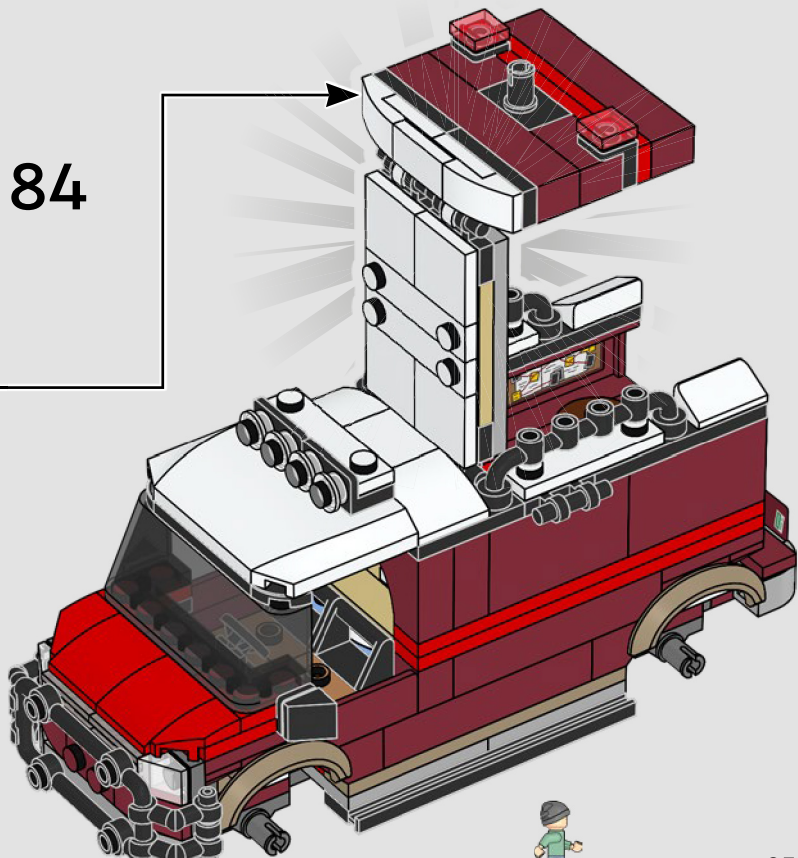


2x

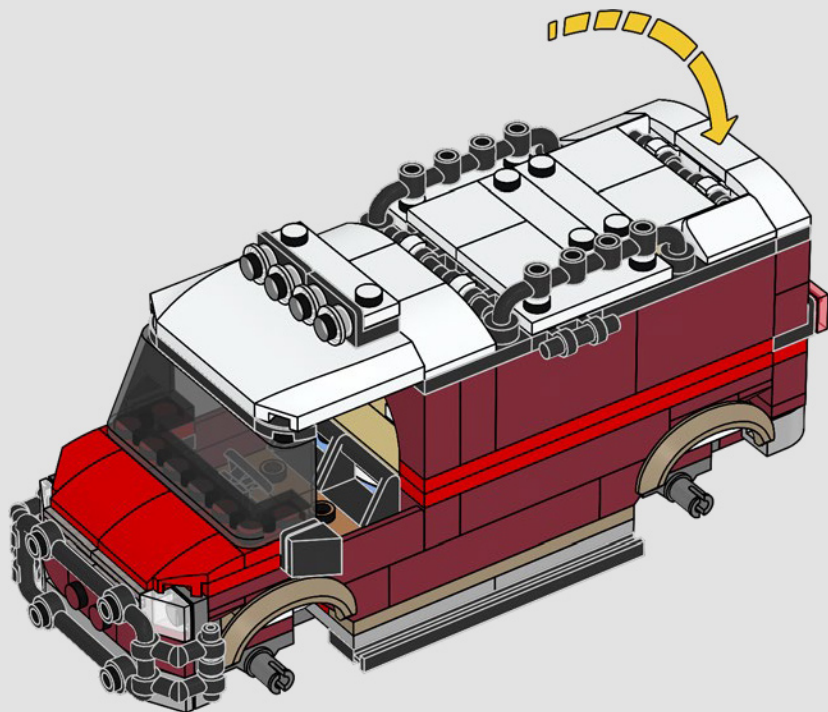
83

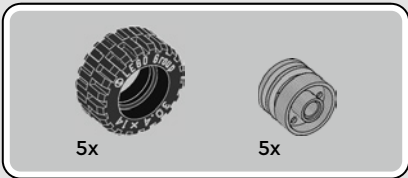


84

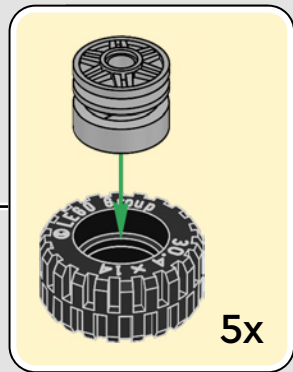
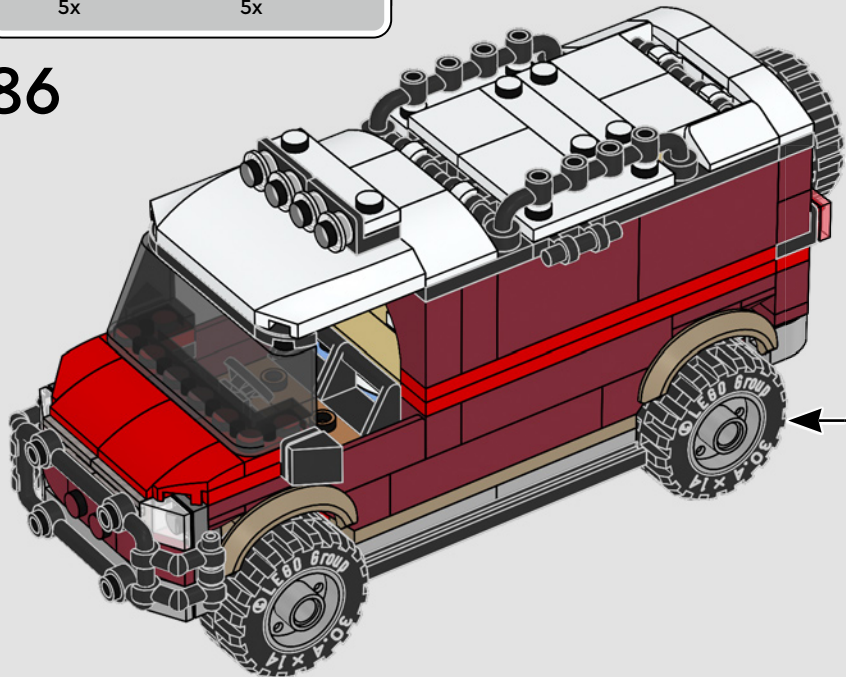


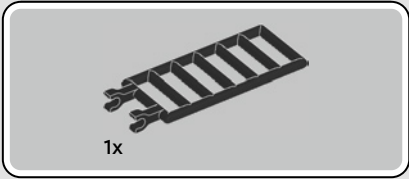
85



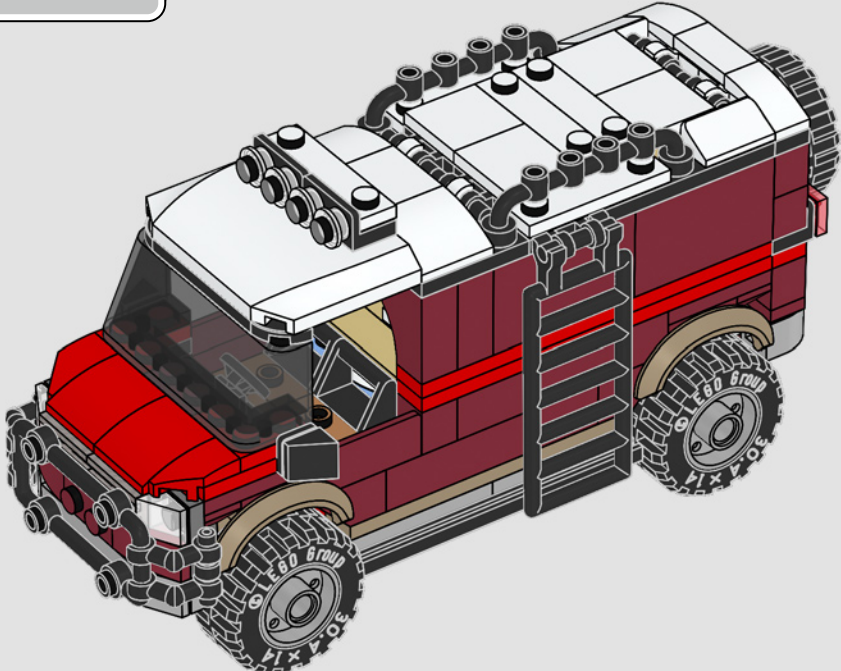


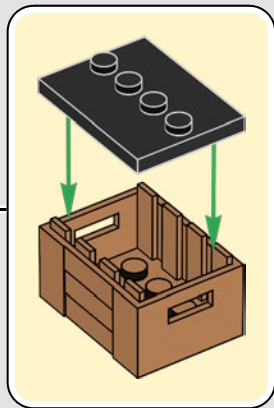
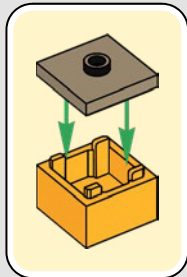
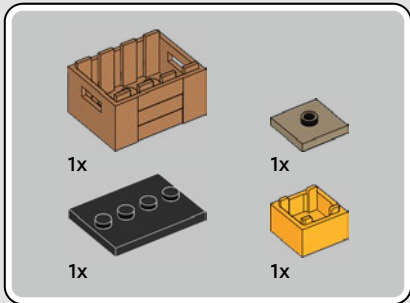
86



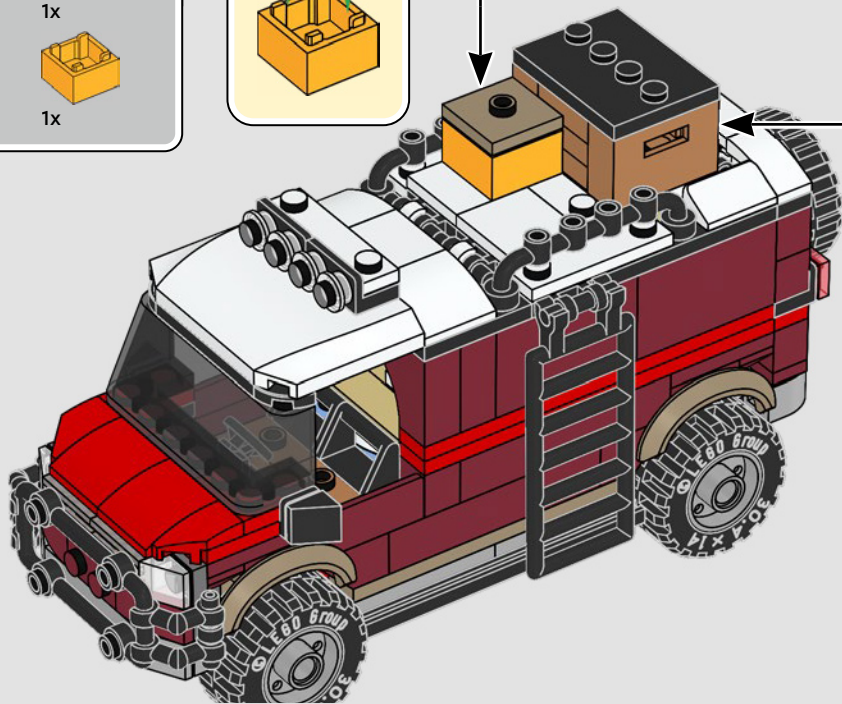


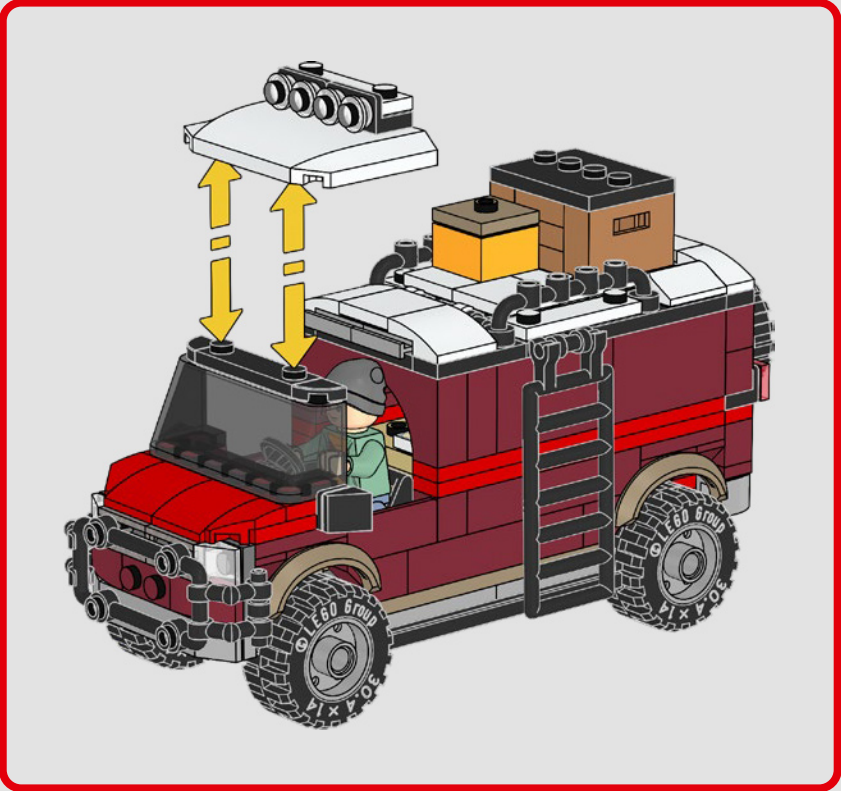
87





88







76964



76962



76960



76966



LEGO and the LEGO logo and are trademarks of the/sont des marques de commerce du/son marcas registradas de LEGO Group. ©2024 The LEGO Group.
© Universal City Studios LLC and Amblin Entertainment, Inc. Series © DreamWorks Animation LLC. All Rights Reserved.

6519665