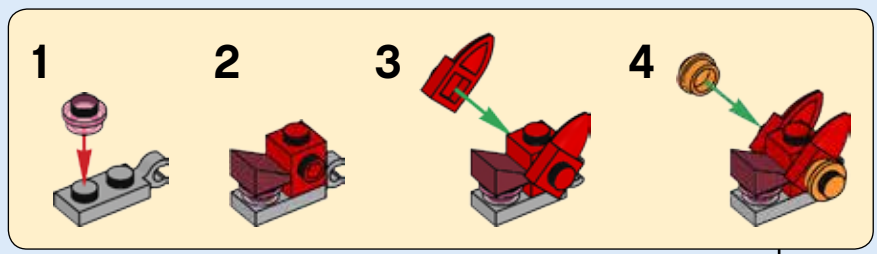
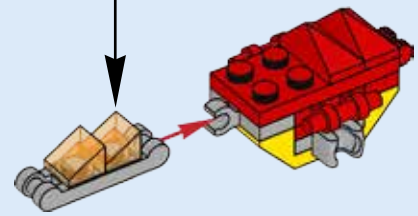
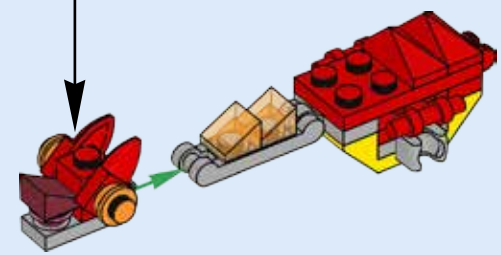
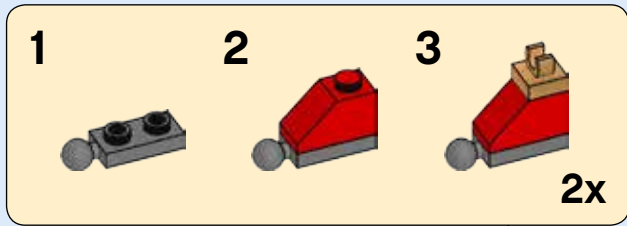


6

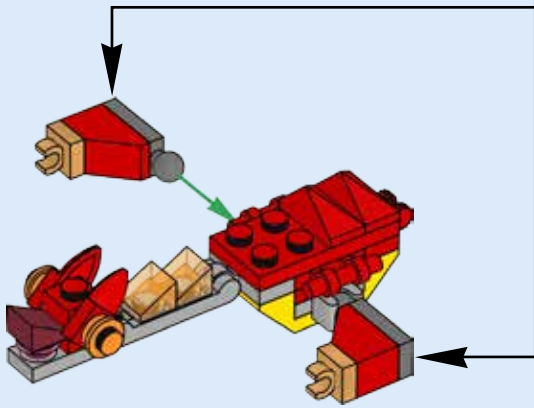


7

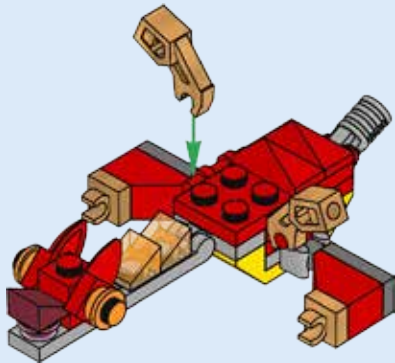




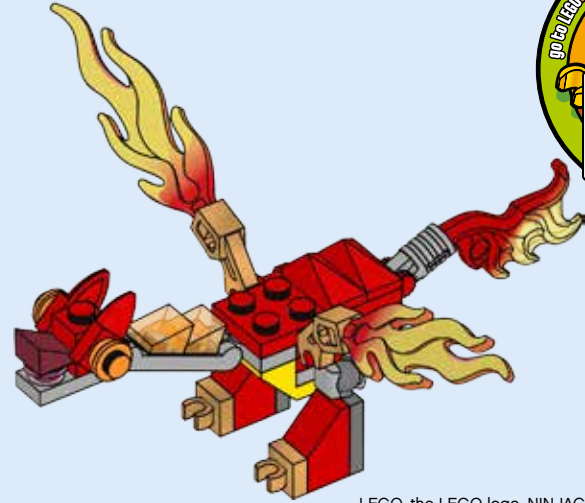
8



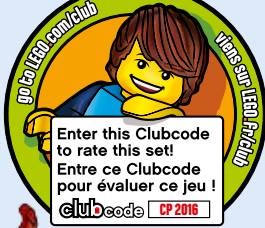
9



10



RATE THIS SET!
ÉVALUE CE JEU!



LEGO.com/service

LEGO, the LEGO logo, NINJAGO and the NINJAGO logo are trademarks of the/sont des marques de commerce du/son marcas registradas de LEGO Group. ©2016 The LEGO Group. 6151726

LEGO NINJAGO™
Masters of Spinjitzu

