



42182





LEGO.com/sustainable-packaging



FR
**DONNEZ
OU
RECYCLEZ**



ASSOCIATION

OU



MAGASIN

OU



DÉCHÈTERIE

Adresses sur quefairedemesdechets.fr



BUILDER



Apple and the Apple logo are trademarks of Apple Inc., registered in the U.S. and other countries and regions. App Store is a service mark of Apple Inc. Google Play and the Google Play logo are trademarks of Google LLC. Tencent and the Tencent logo are trademarks of Tencent Inc.

LEGO.com/devicecheck

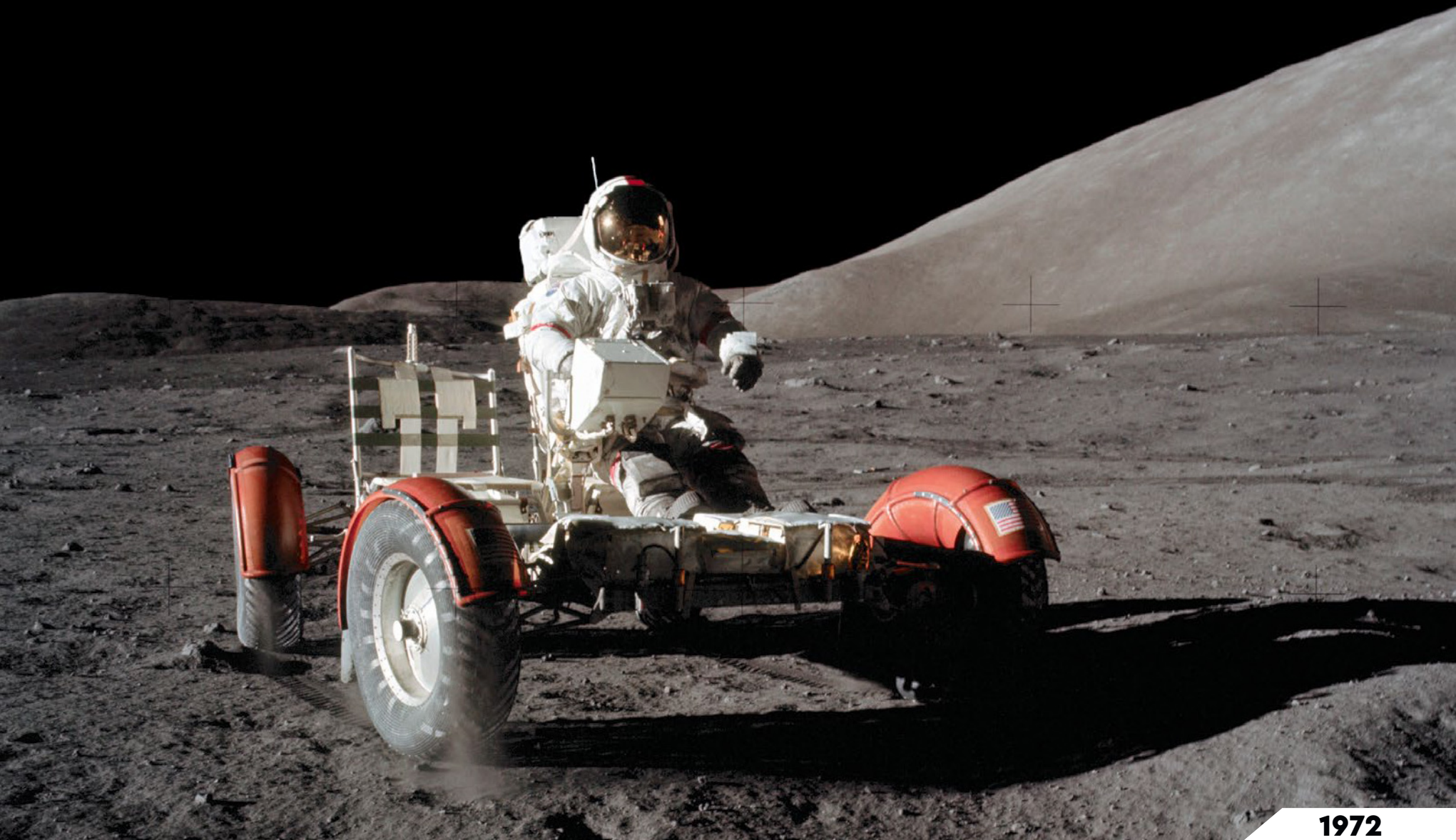


LEGO® Builder

AVVENTURE SULLA LUNA

Da quando l'uomo ha messo piede sulla Luna nel 1969, abbiamo acquisito nuove e importanti conoscenze dell'universo, che pochi avrebbero potuto immaginare. Le prime esplorazioni della Luna, avviate dalle missioni Apollo della NASA (1961-1972), hanno aperto la strada a tecnologie innovative e missioni straordinarie che ci hanno consentito di spingerci ancora più lontano. Questo modello LEGO® Technic è ispirato al Lunar Rover Vehicle Apollo 17 della NASA, l'LRV-3. Il rover è stato uno straordinario progetto di ingegneria ed esplorazione e, parte dell'ultima missione Apollo della NASA, ha svolto un ruolo fondamentale nell'ampliare i confini dello studio del nostro satellite.

ROVER LUNARE NASA APOLLO - LRV



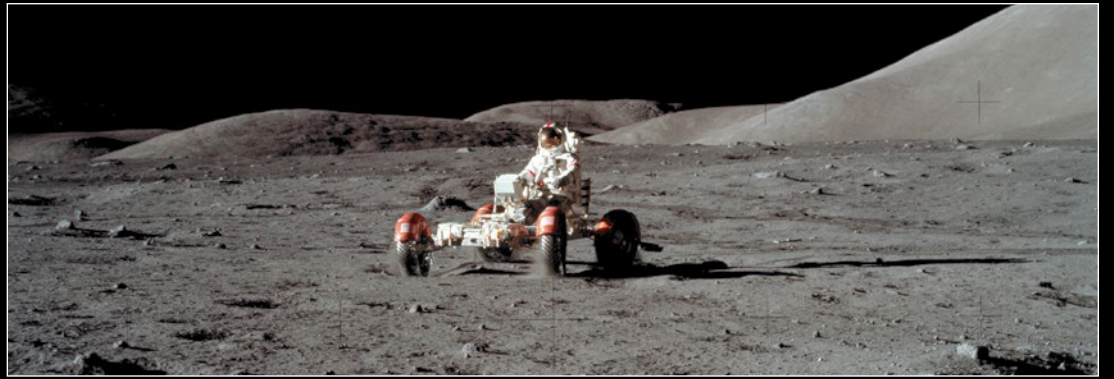
1972

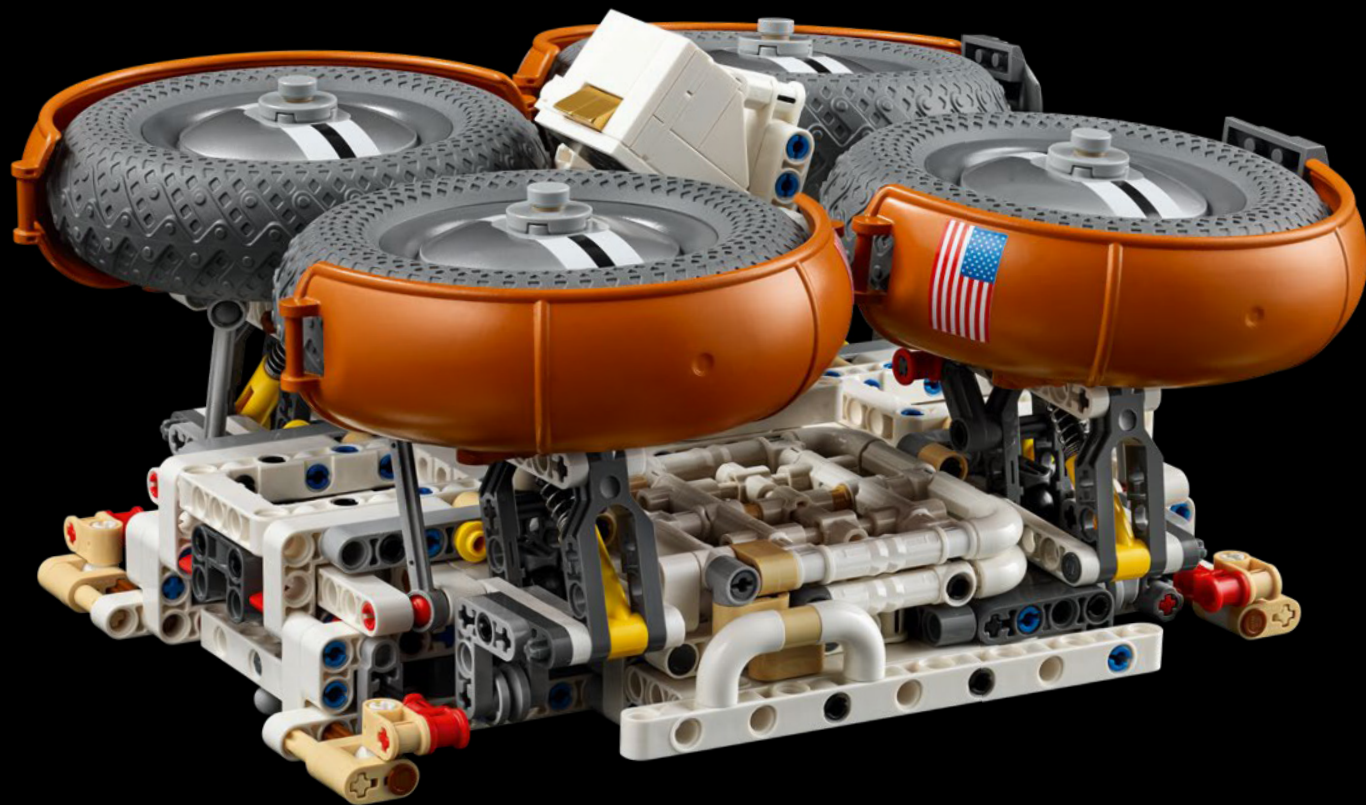
ESPLORA IL TUO LRV-3

Gli astronauti hanno completato diverse spedizioni a bordo dell'LRV-3 per raccogliere campioni di roccia e terreno e catturare incredibili immagini del nostro satellite naturale. Esplora una miriade di attrezzature, strumenti e dettagli intricati mentre costruisci.

*Olav Krøigaard,
Designer, LEGO® Technic*







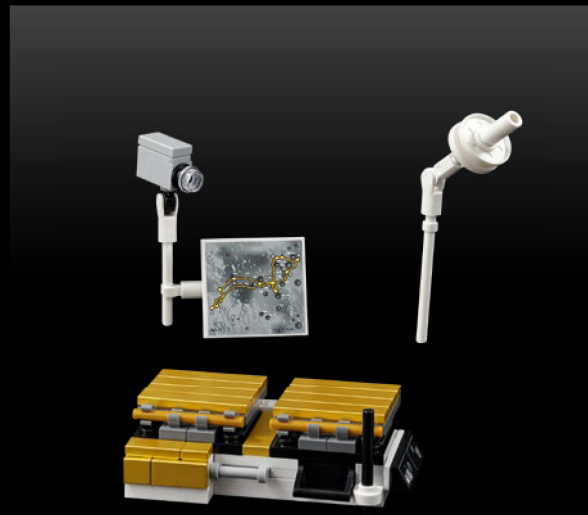
DETTAGLI IN MOSTRA

Come la sua controparte originale, il tuo rover LRV-3 LEGO® può essere ripiegato e inserito all'interno di un vero modulo lander lunare per il trasporto sulla Luna. Il modello finale può essere visualizzato in un'unica sezione o sezioni separate.



TELAIO ANTERIORE

Una bussola funziona solo in presenza dei campi magnetici della Terra, quindi gli astronauti hanno utilizzato un giroscopio direzionale e un contachilometri per orientarsi sulla superficie della Luna. Per rimuovere la polvere lunare dal veicolo, il rover è stato dotato di una spazzola, uno strumento sicuramente poco scientifico, ma estremamente efficace per la pulizia dei radiatori, delle telecamere e della superficie del rover.



LUNAR COMMUNICATIONS RELAY UNIT (LCRU)

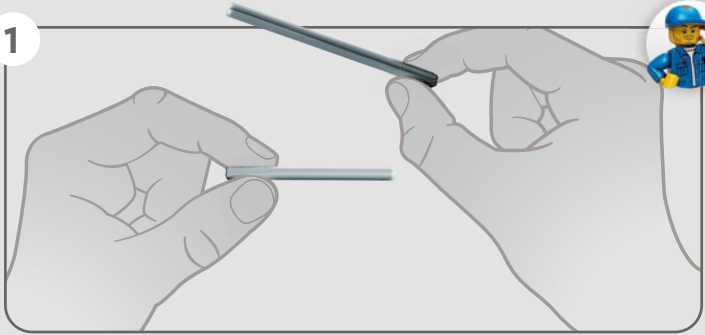
L'unità di collegamento per le comunicazioni lunari (LCRU) era il link per le comunicazioni più importante per gli astronauti durante le attività extraveicolari sulla Luna. Le antenne ad alto e basso guadagno collegavano gli astronauti con lo Houston Mission Control Center.



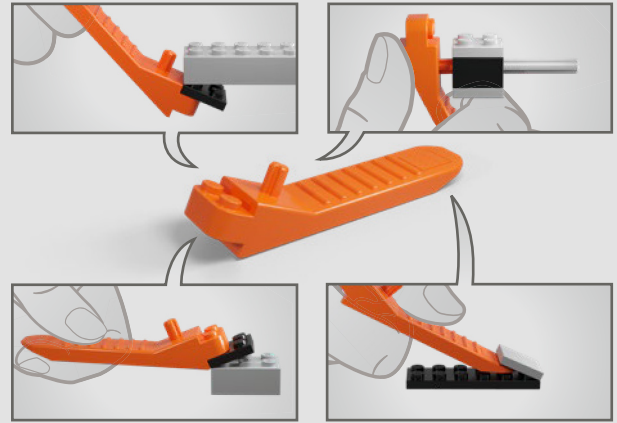
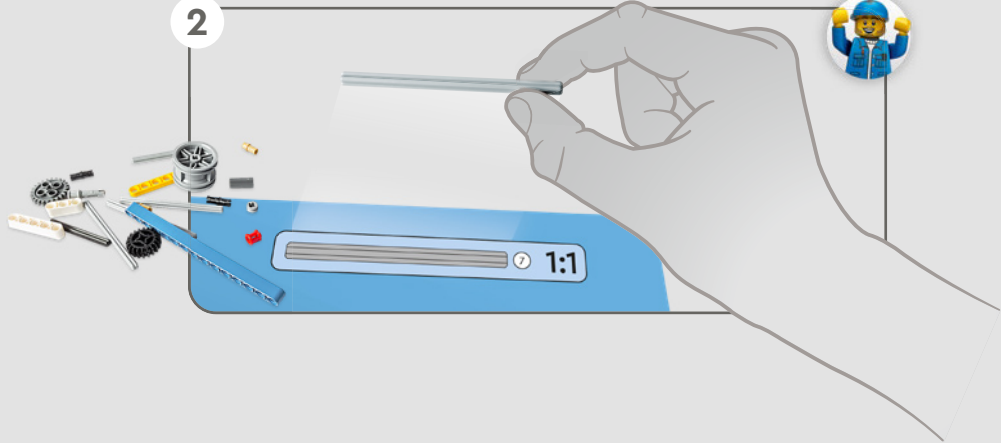
GRUPPO PALLET DI POPPA

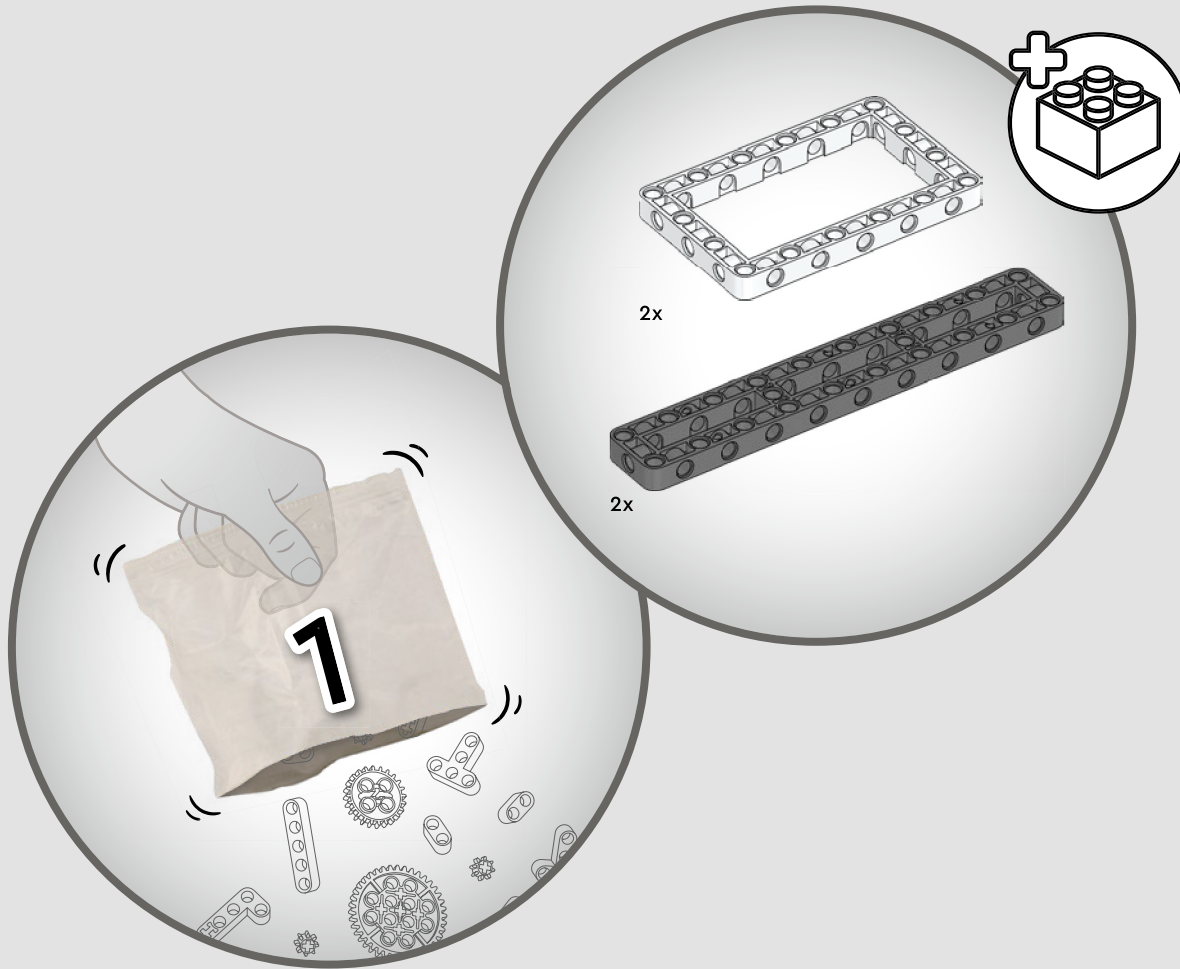
Gli astronauti hanno condotto numerosi esperimenti scientifici, tra cui attività sismica attiva e passiva e profilazione, utilizzando e conservando strumenti e campioni sul gruppo pallet di poppa. La "roccia" LEGO® sul retro rappresenta "Big Muley", una roccia di quattro miliardi di anni raccolta dall'Apollo 16.

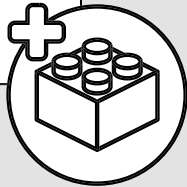
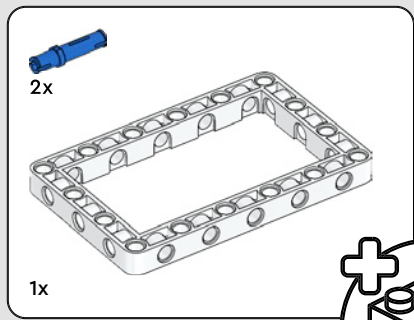
1



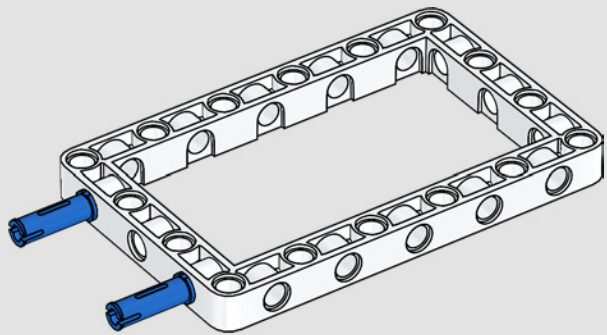
2



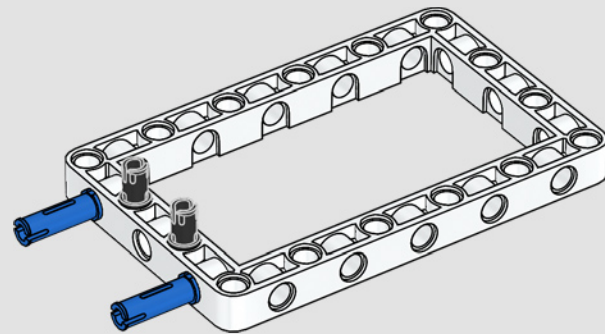


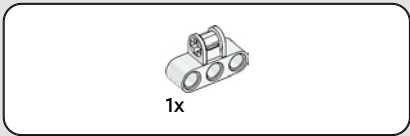


1

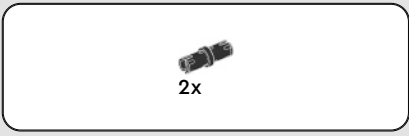
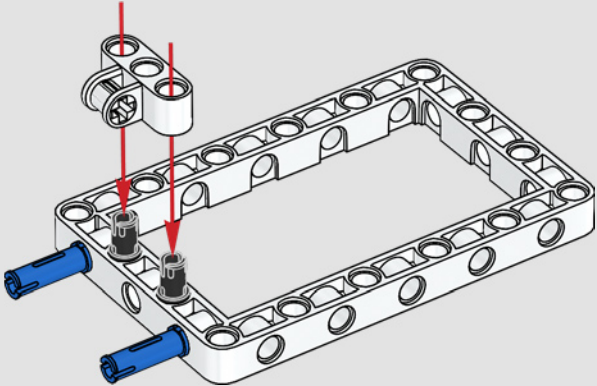


2

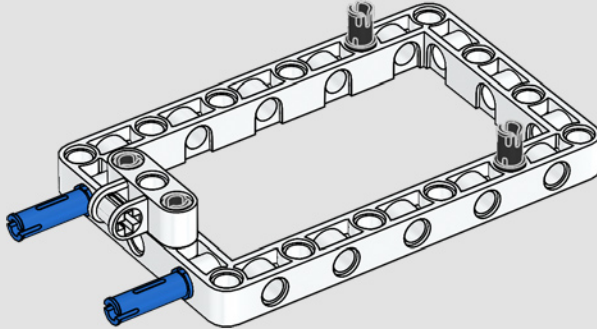


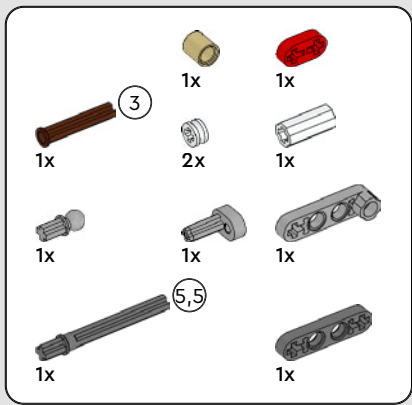


3

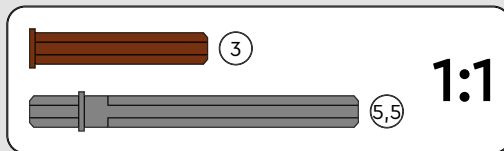
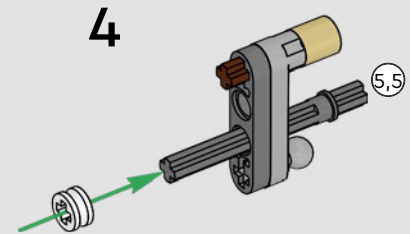
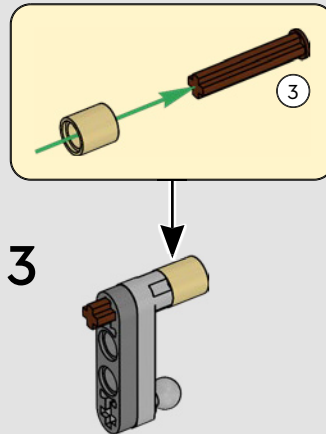
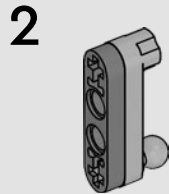
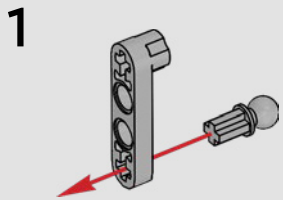


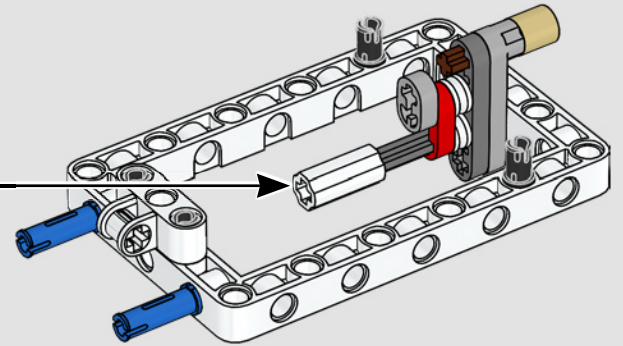
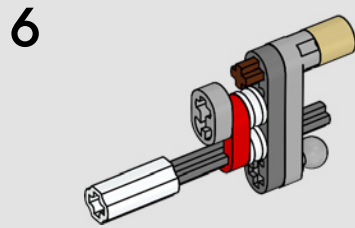
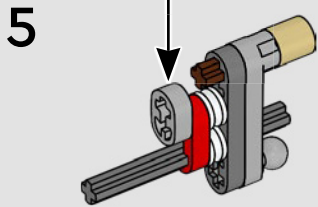
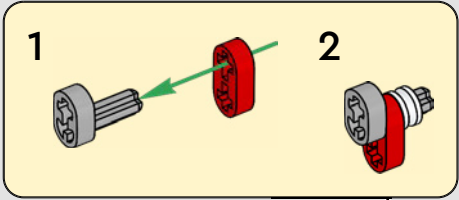
4

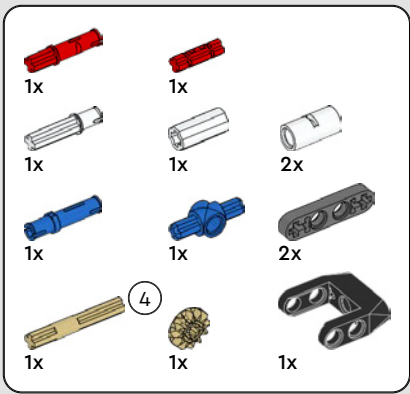




5

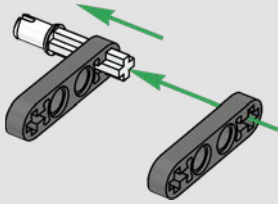




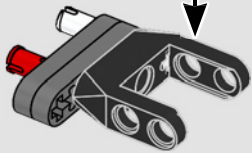
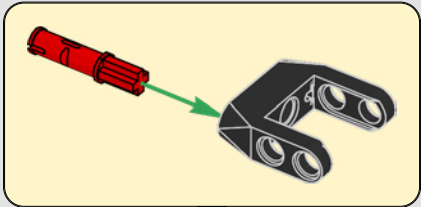


6

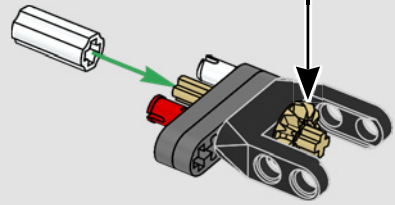
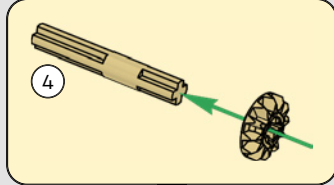
1



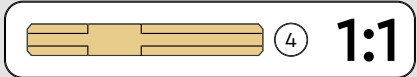
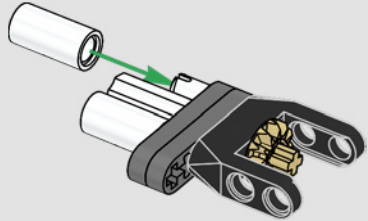
2



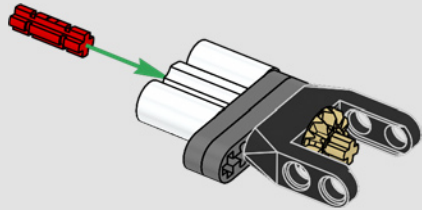
3



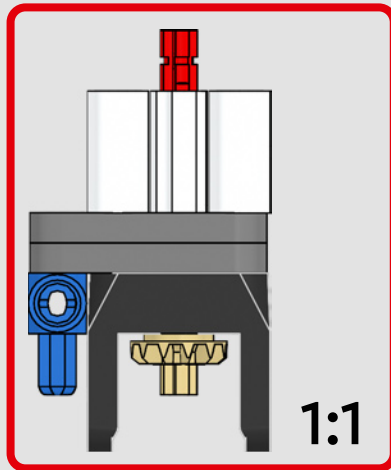
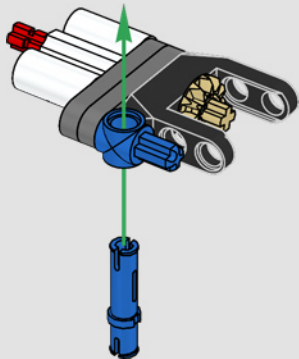
4



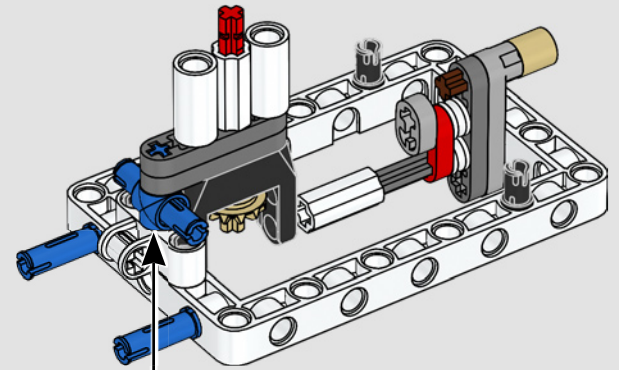
5

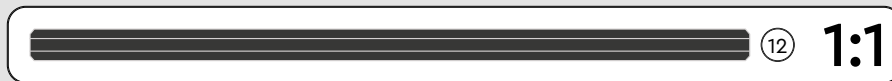
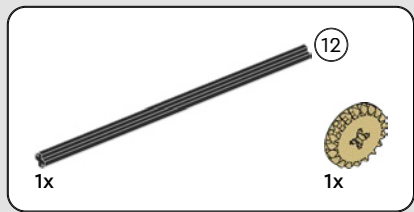


6

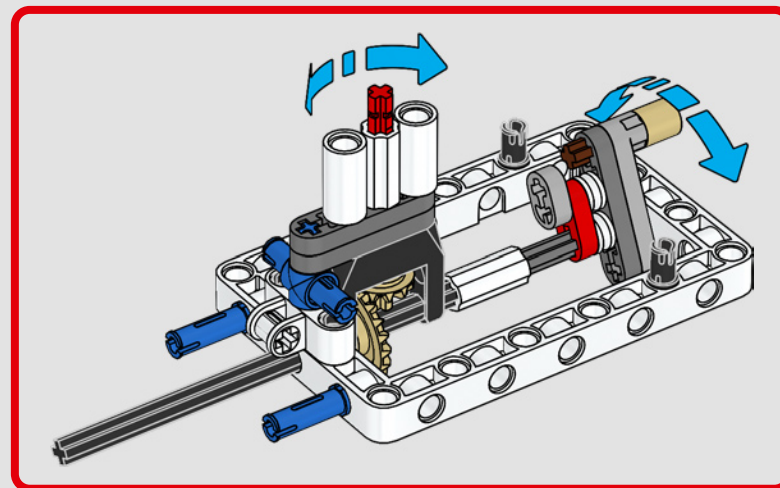
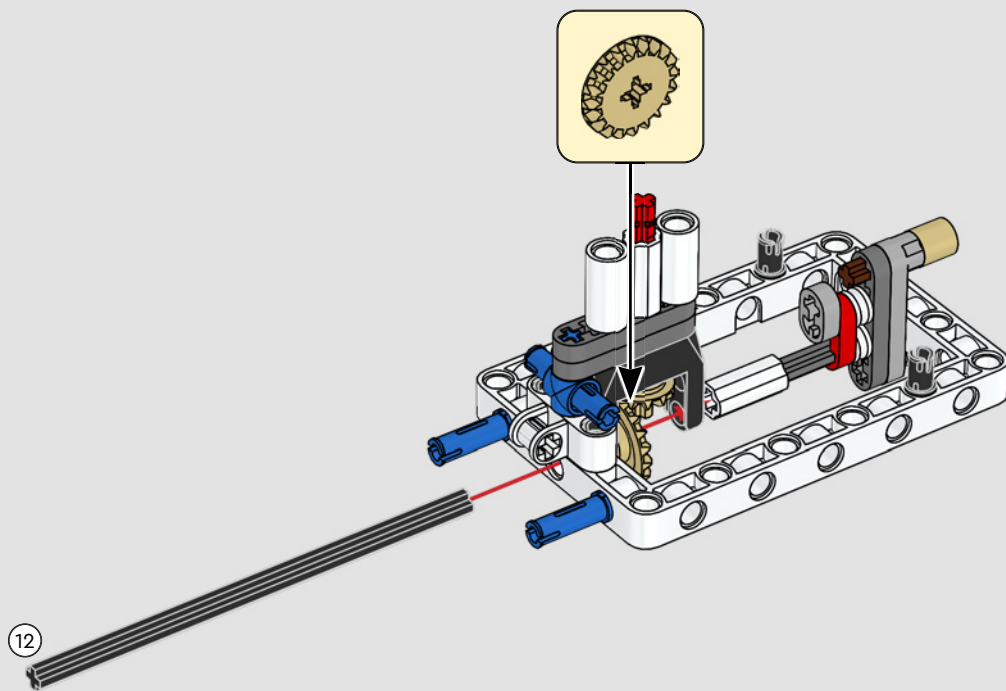


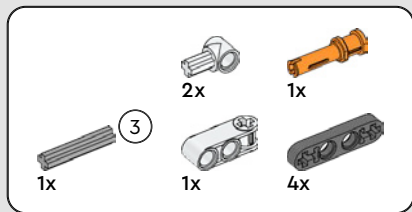
1:1



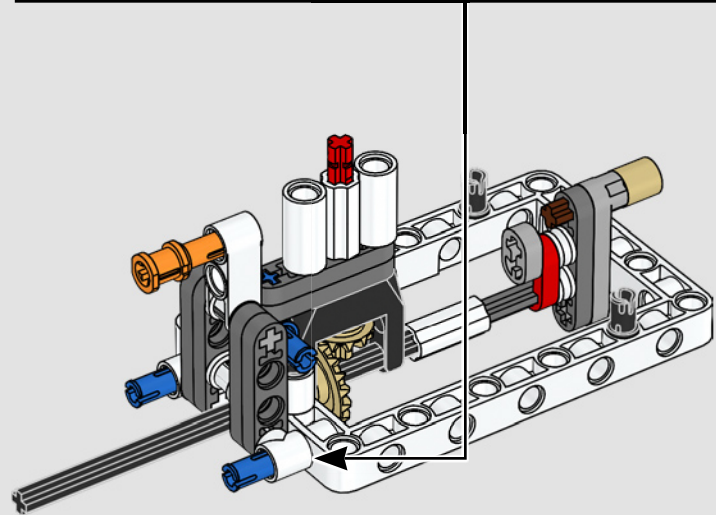
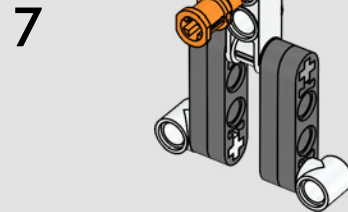
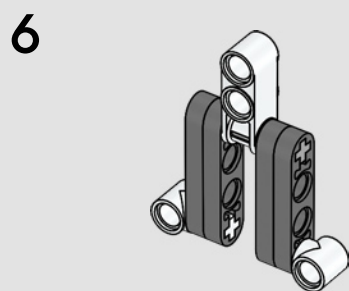
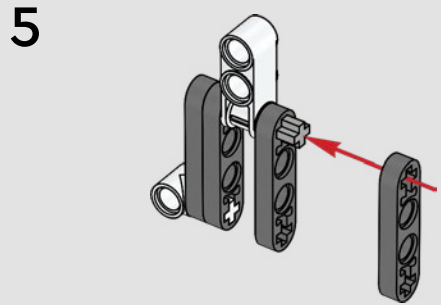
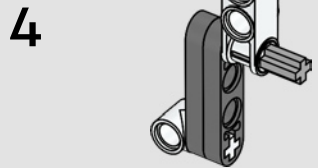
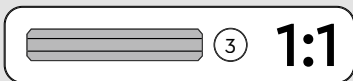
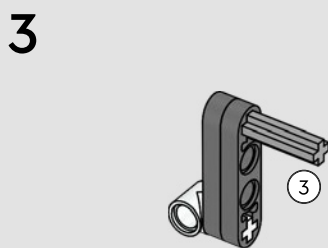
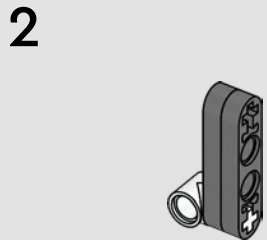
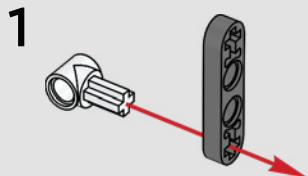


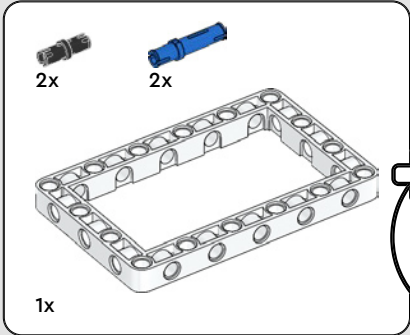
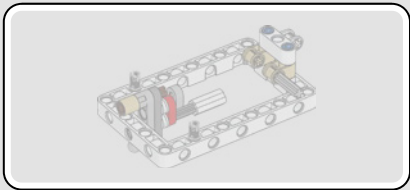
7



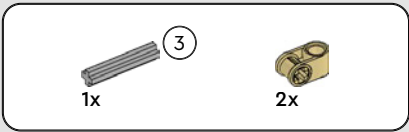
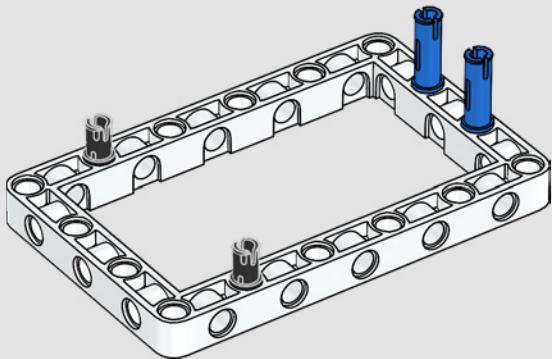


8

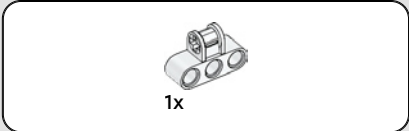
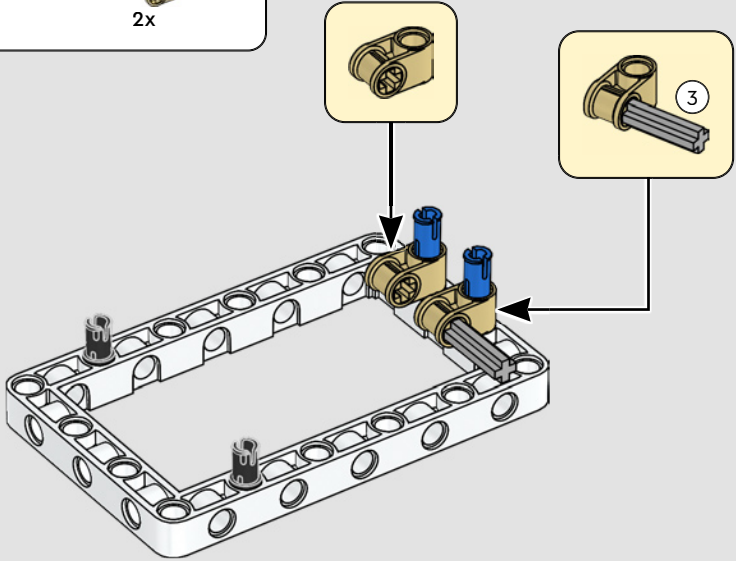




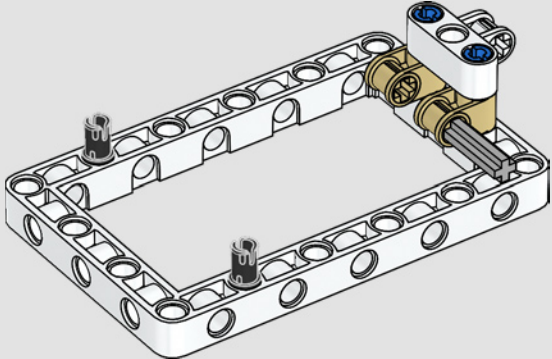
9

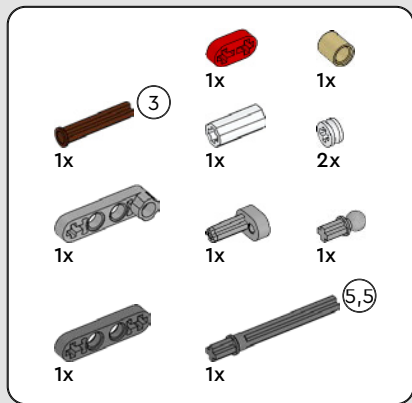


10

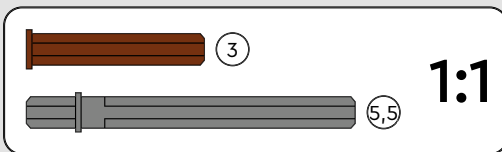
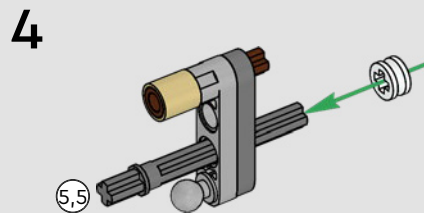
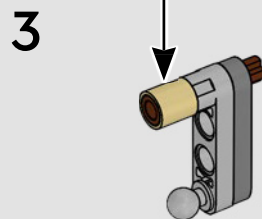
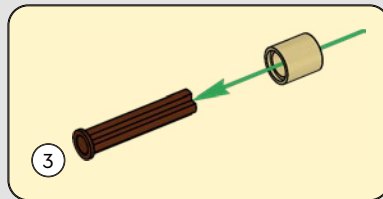
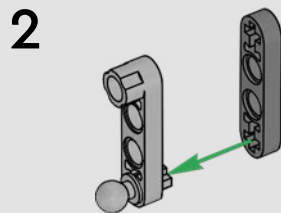
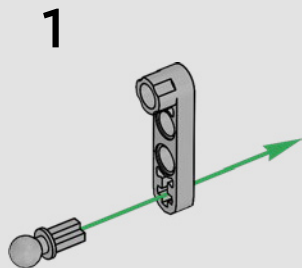


11

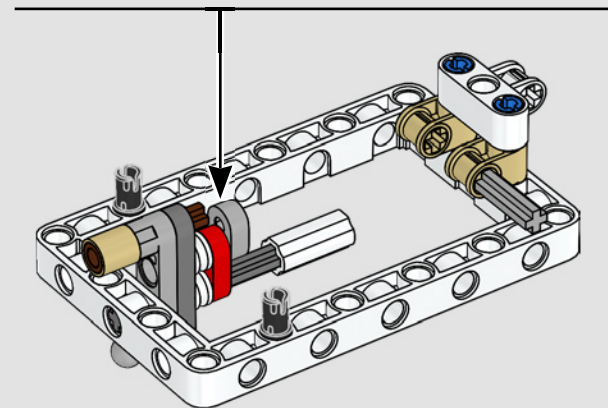
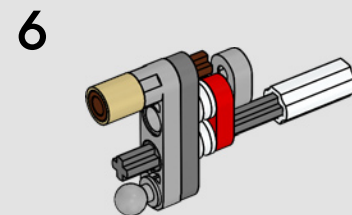
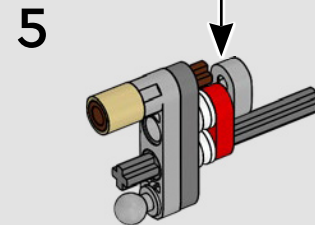
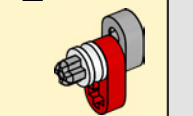
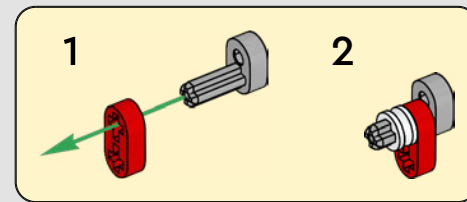




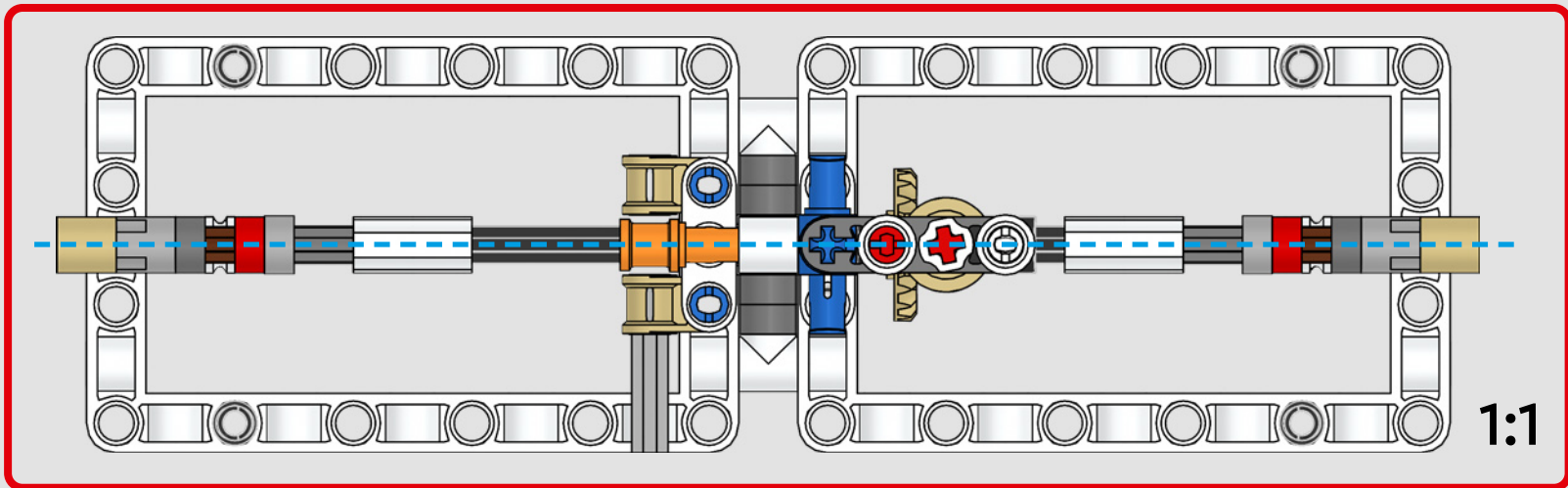
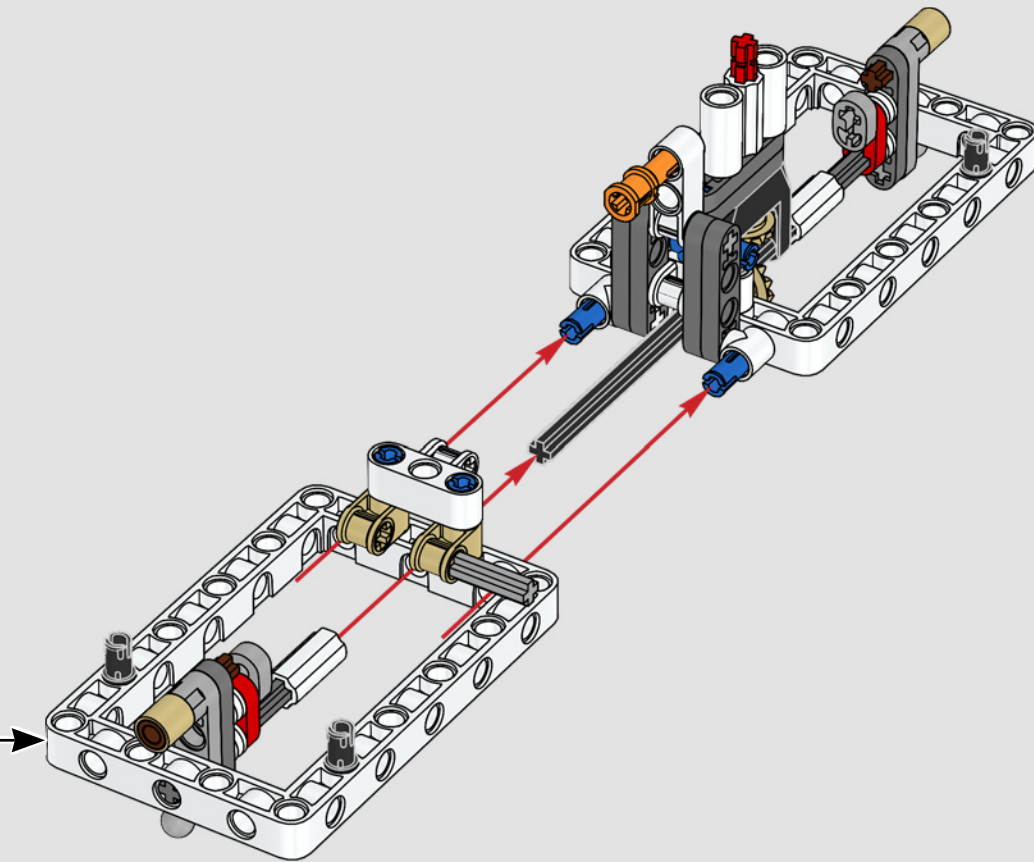
12

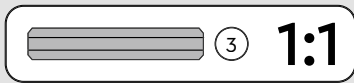
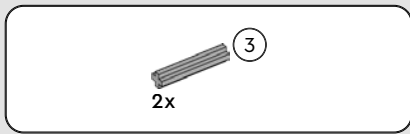


1:1

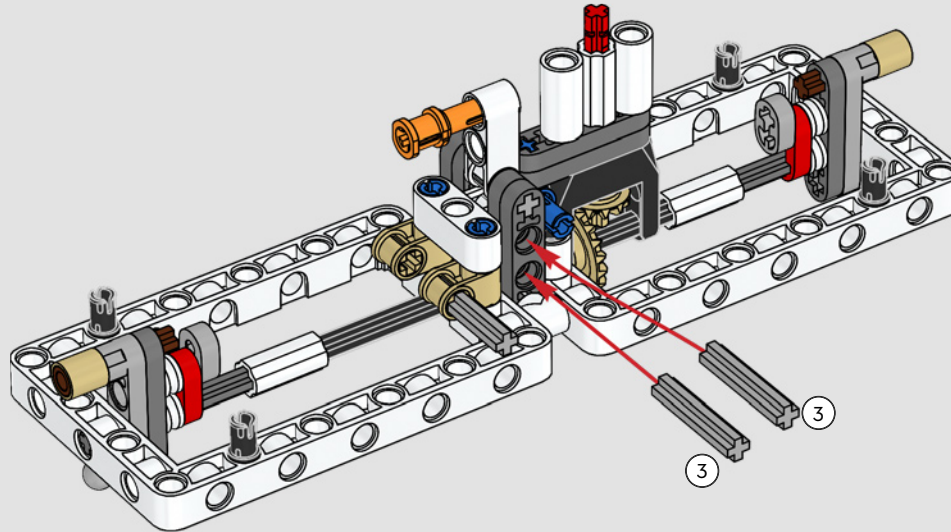


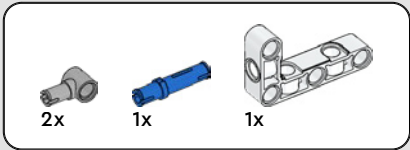
13



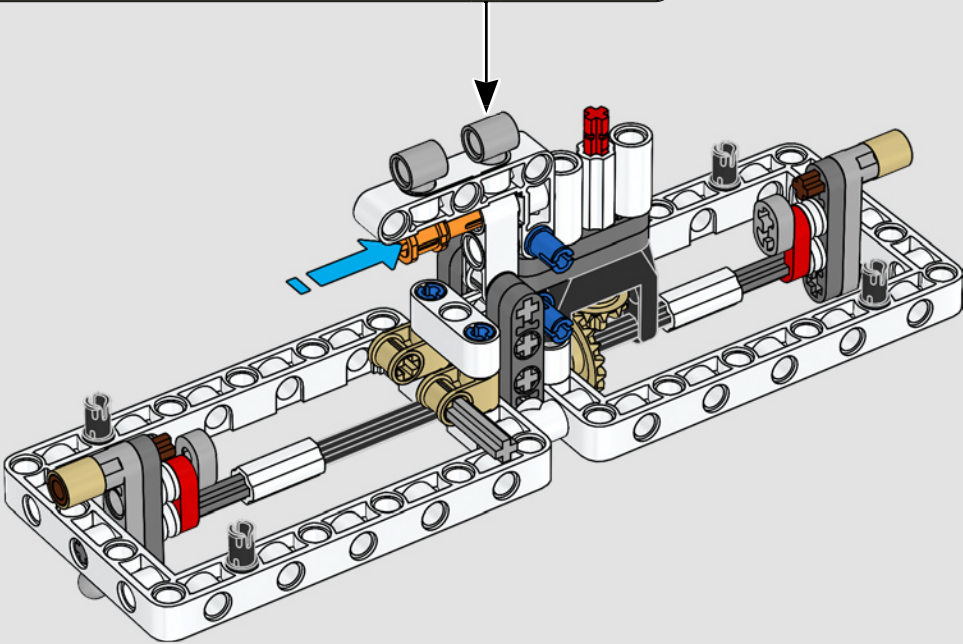
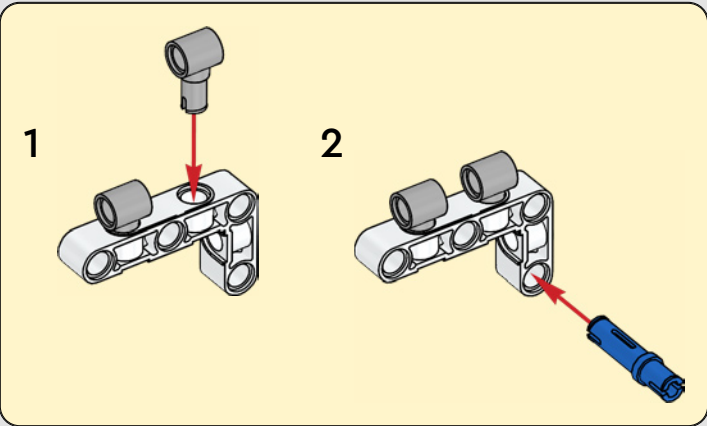


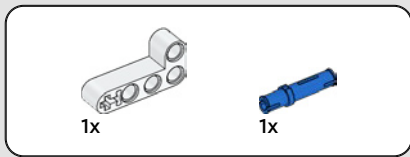
14



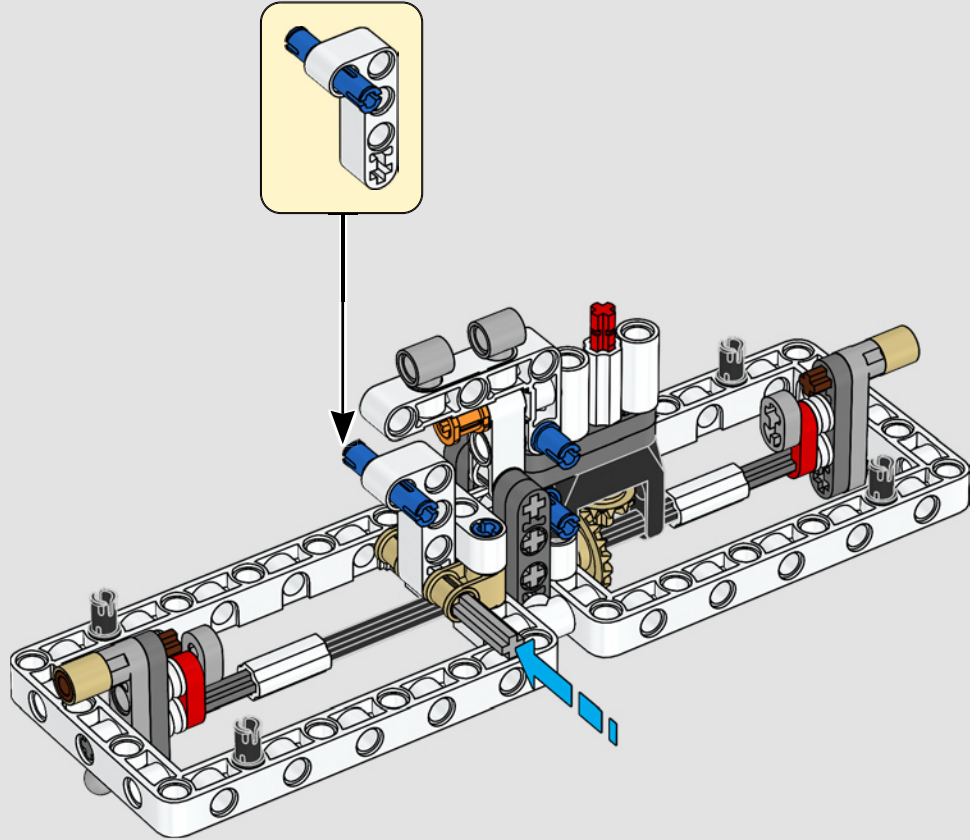


15





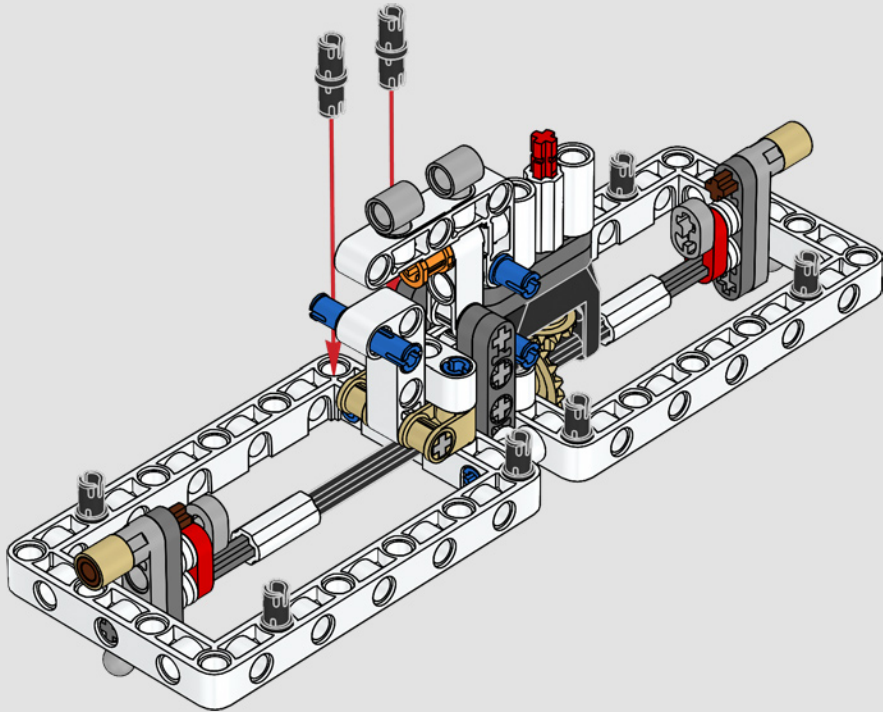
16





4x

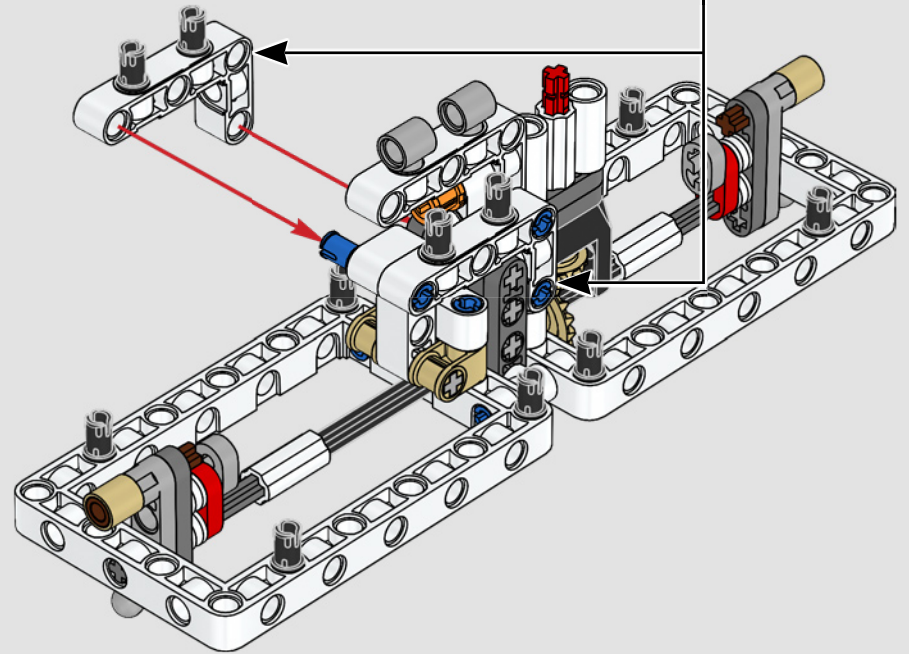
17



4x

2x

18



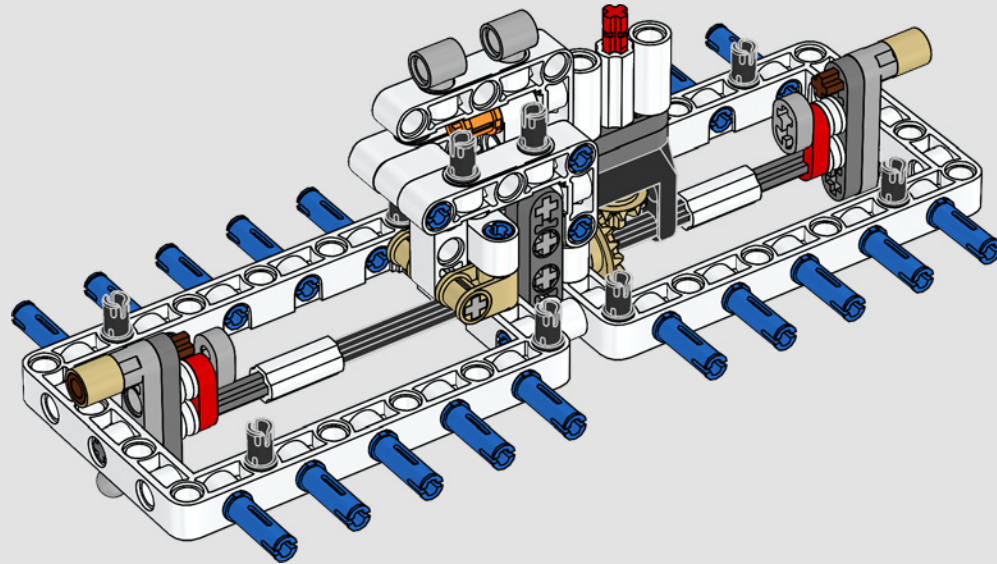
2x

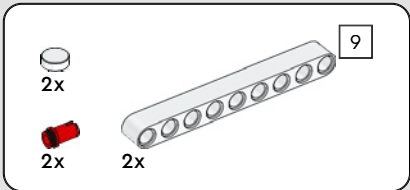




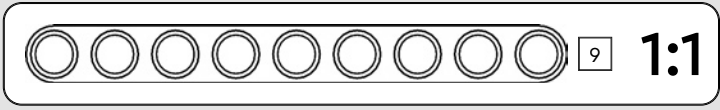
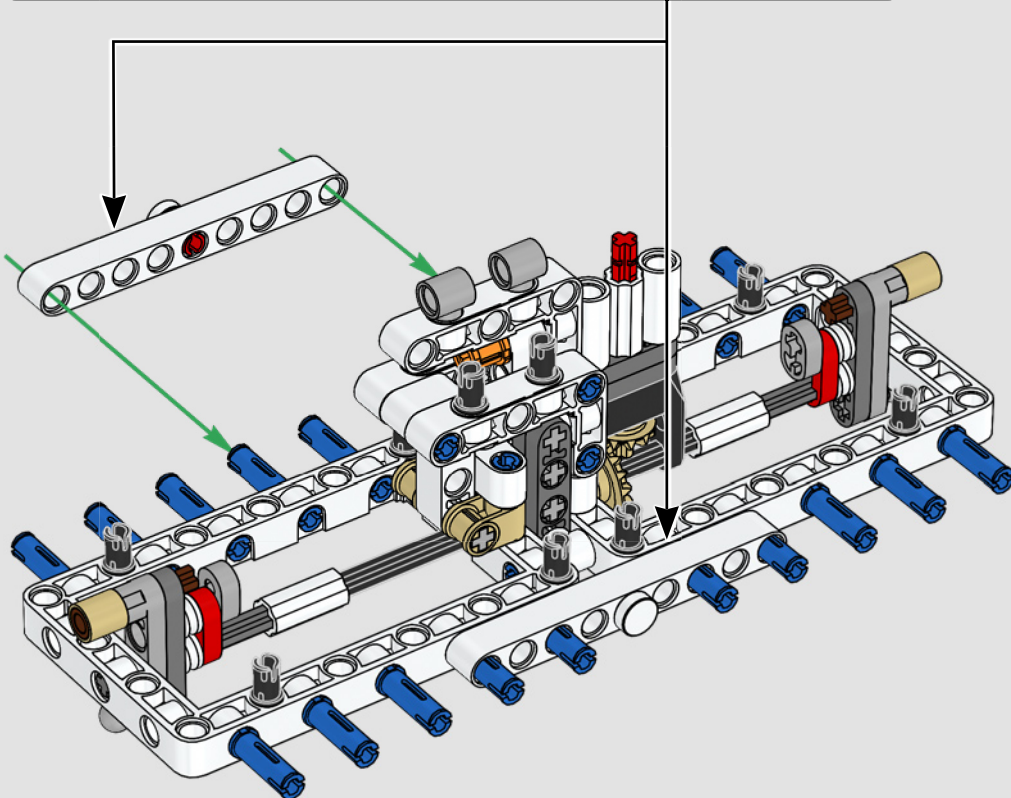
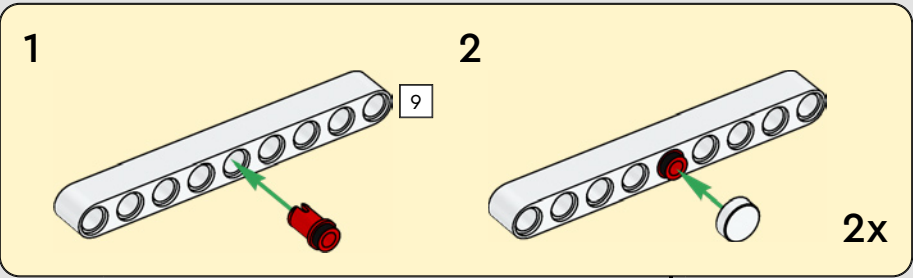
20x

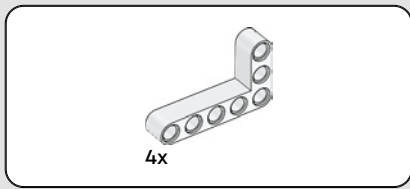
19



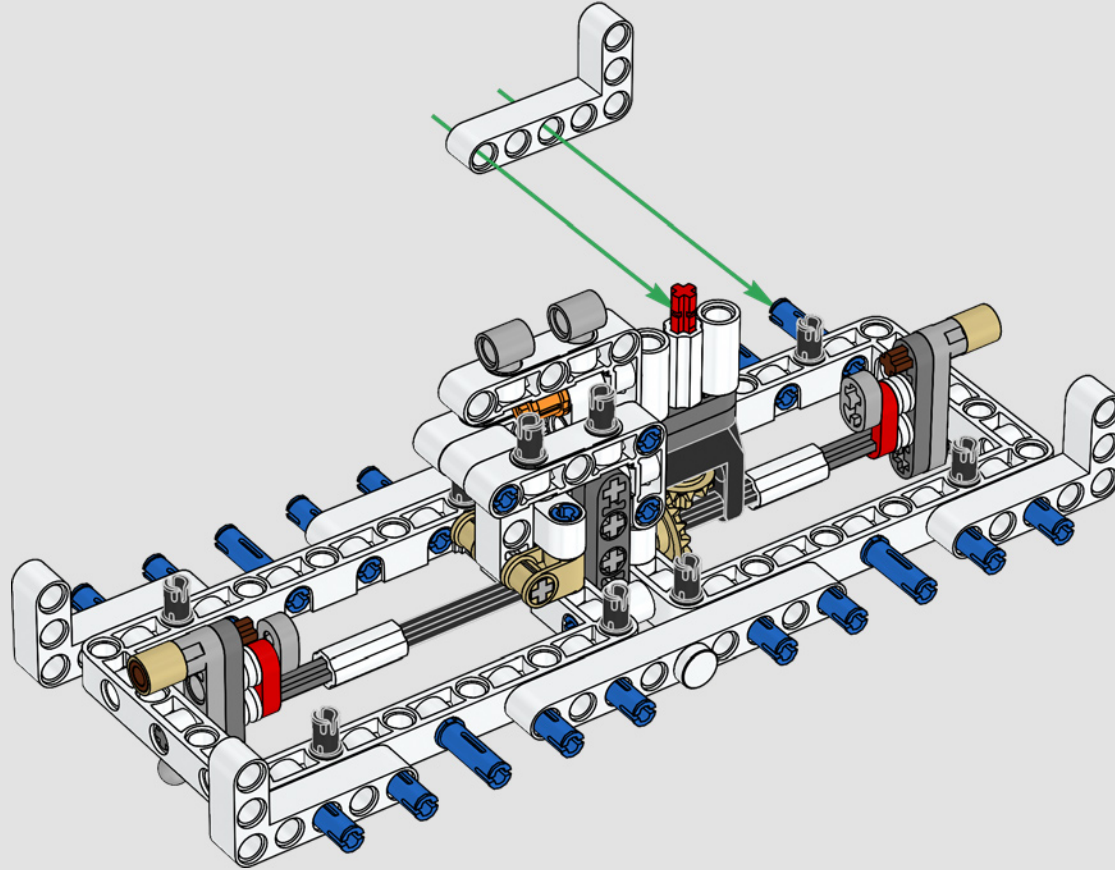


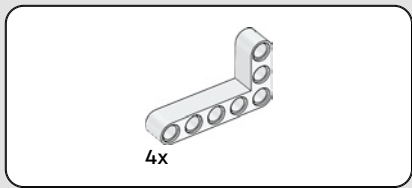
20



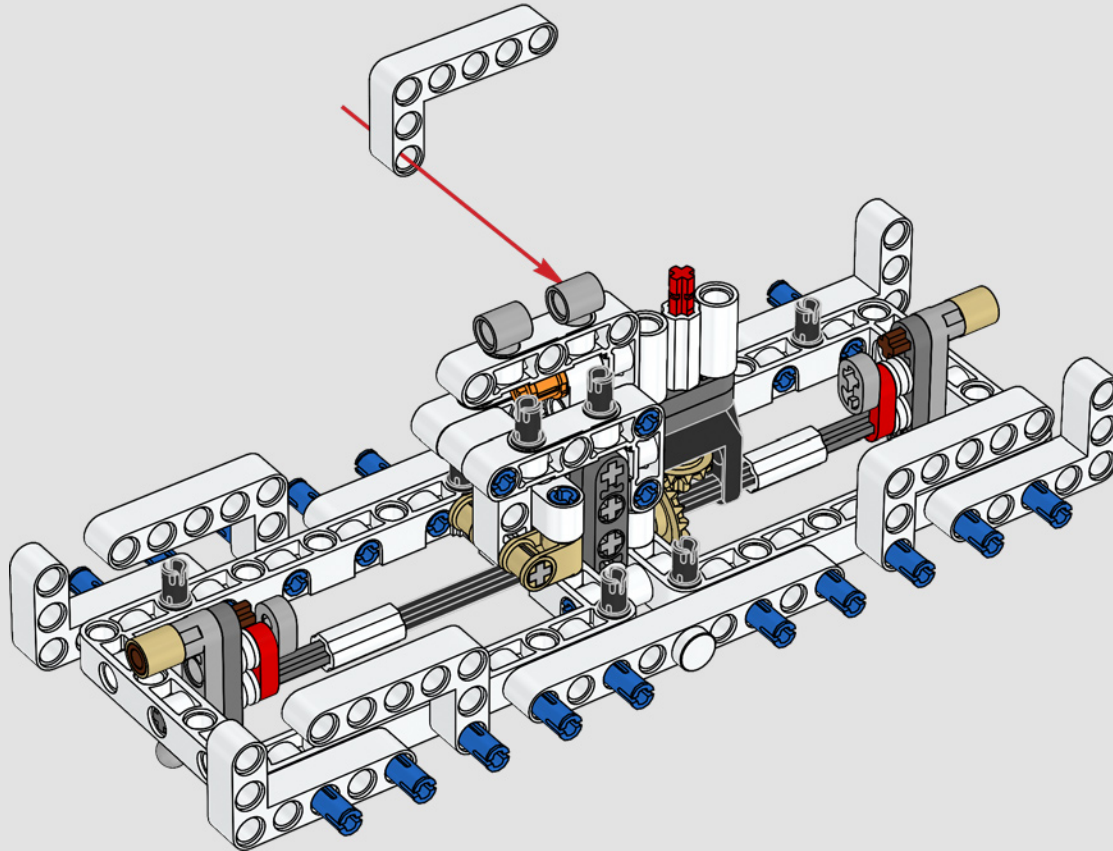


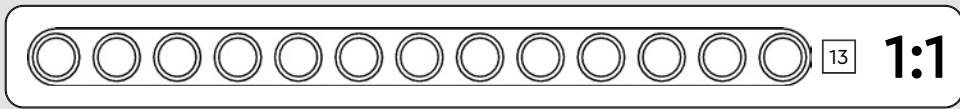
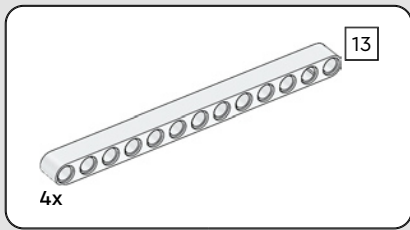
21



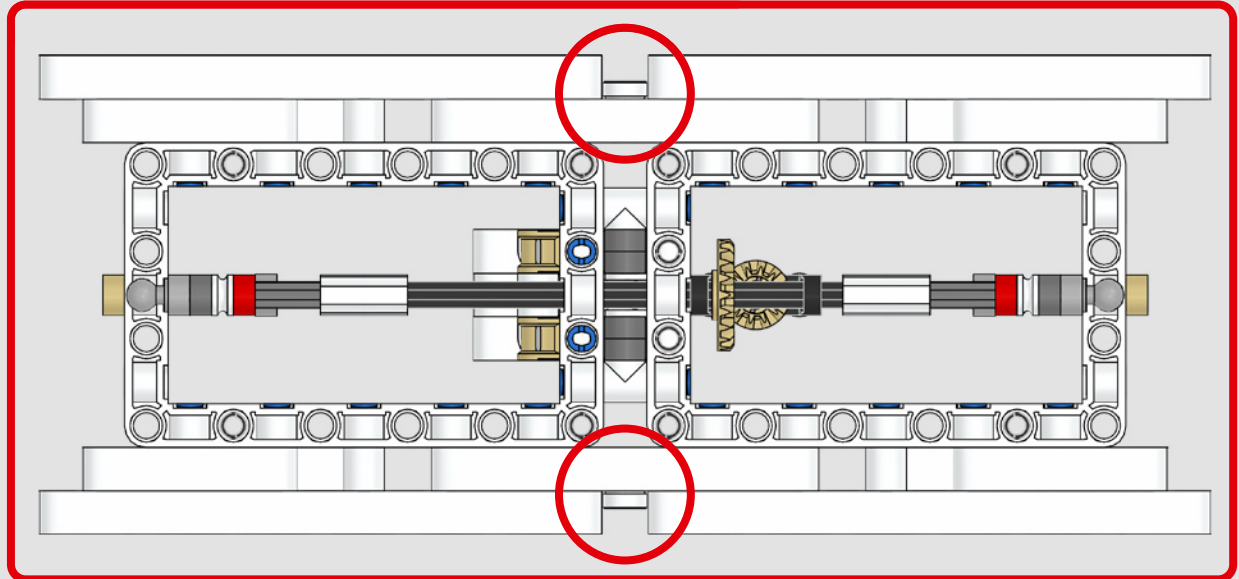
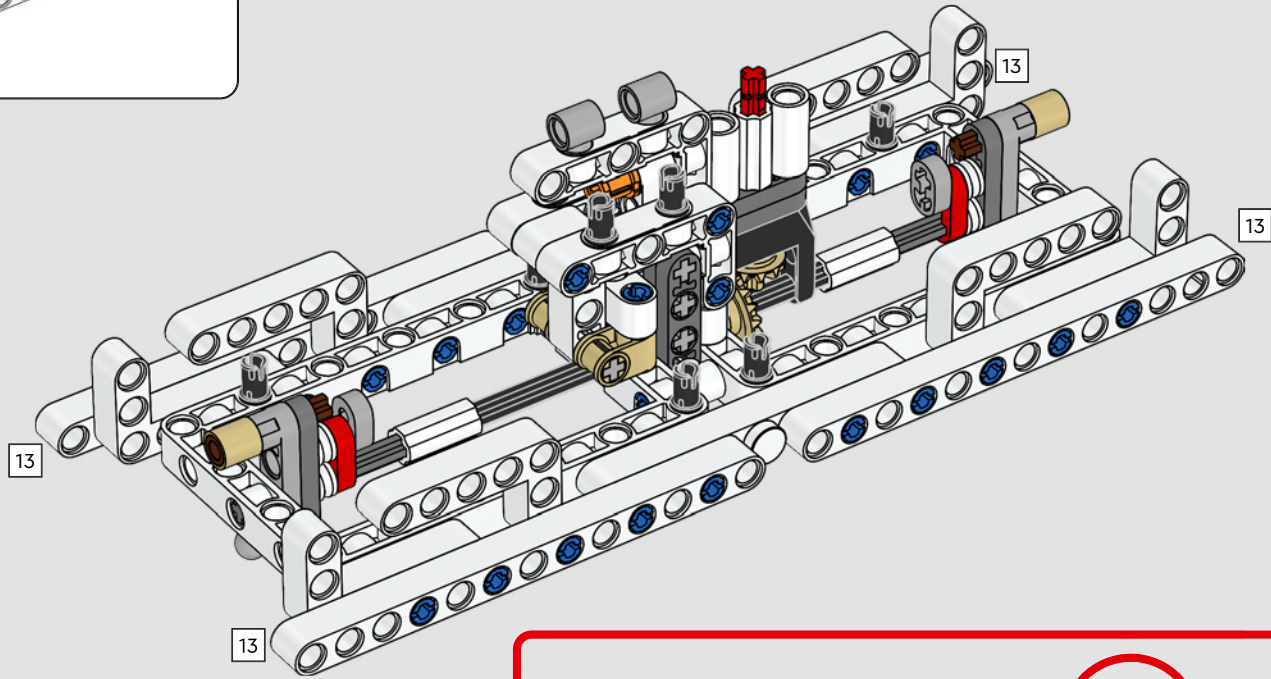


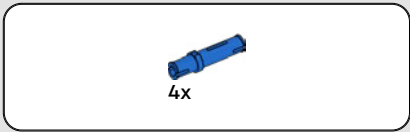
22



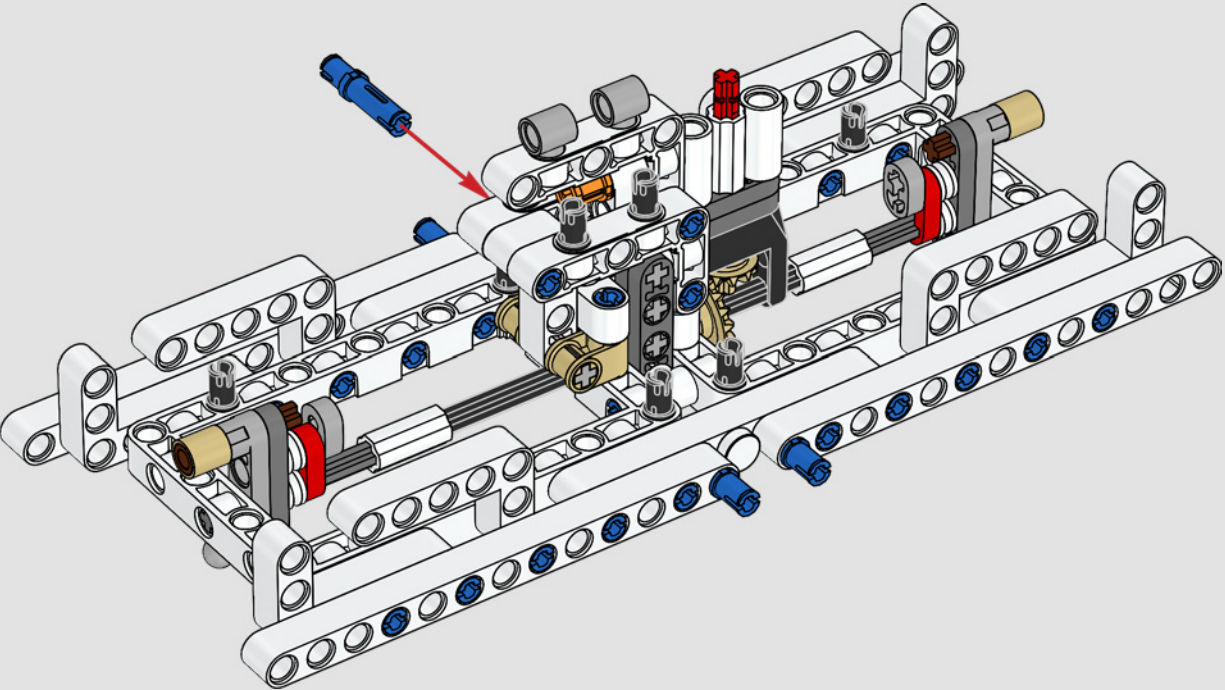


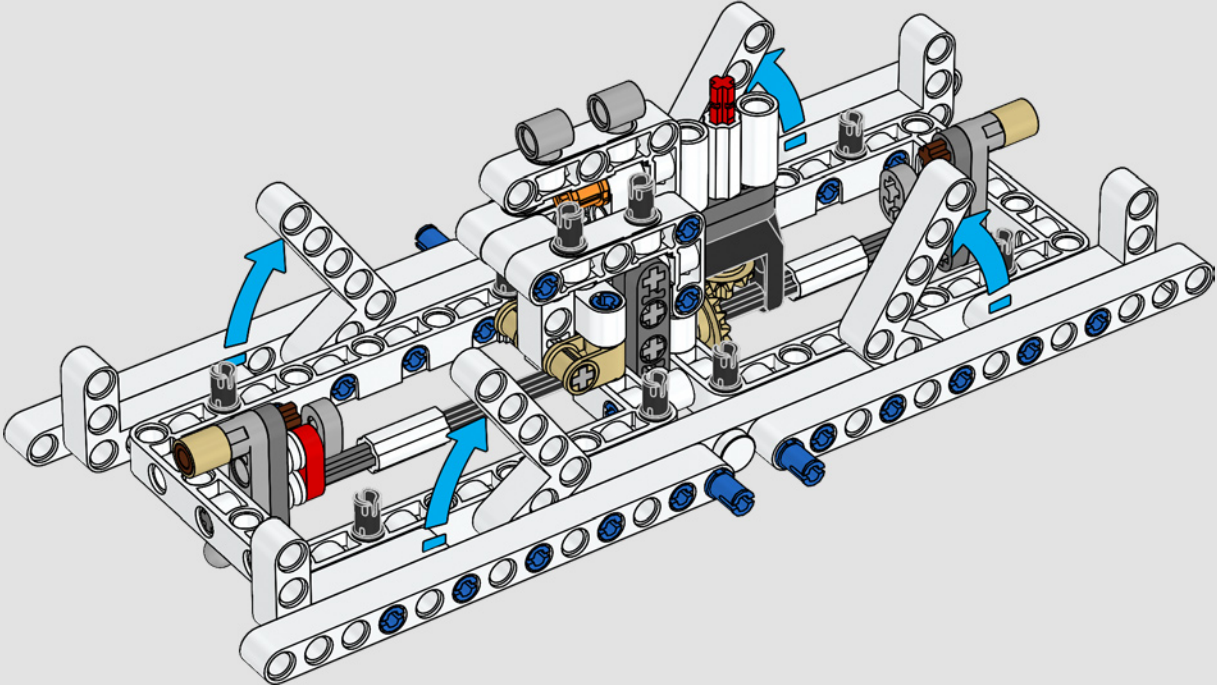
23

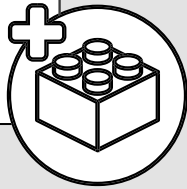
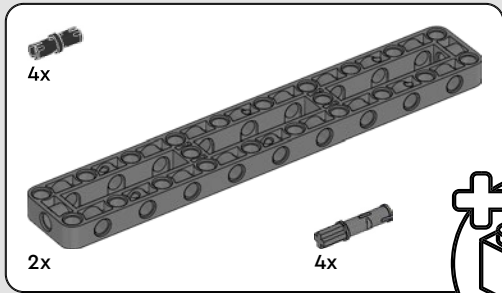
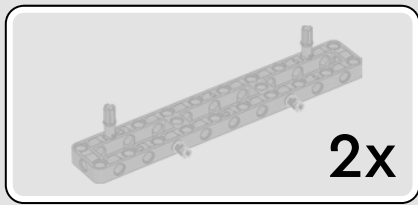




24

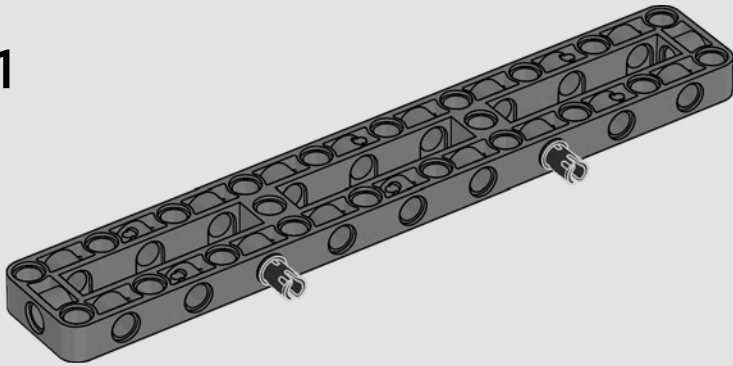




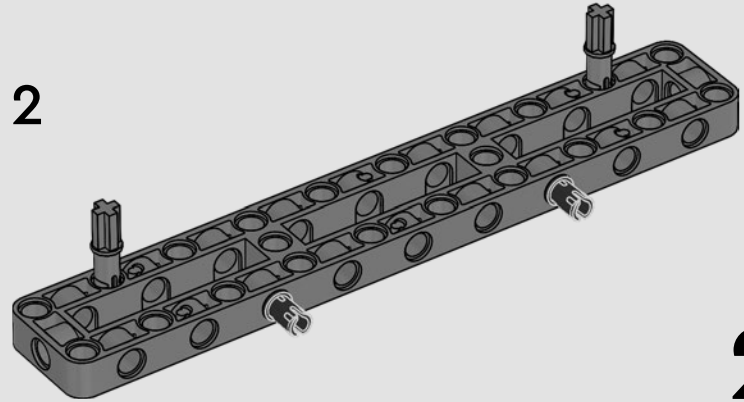


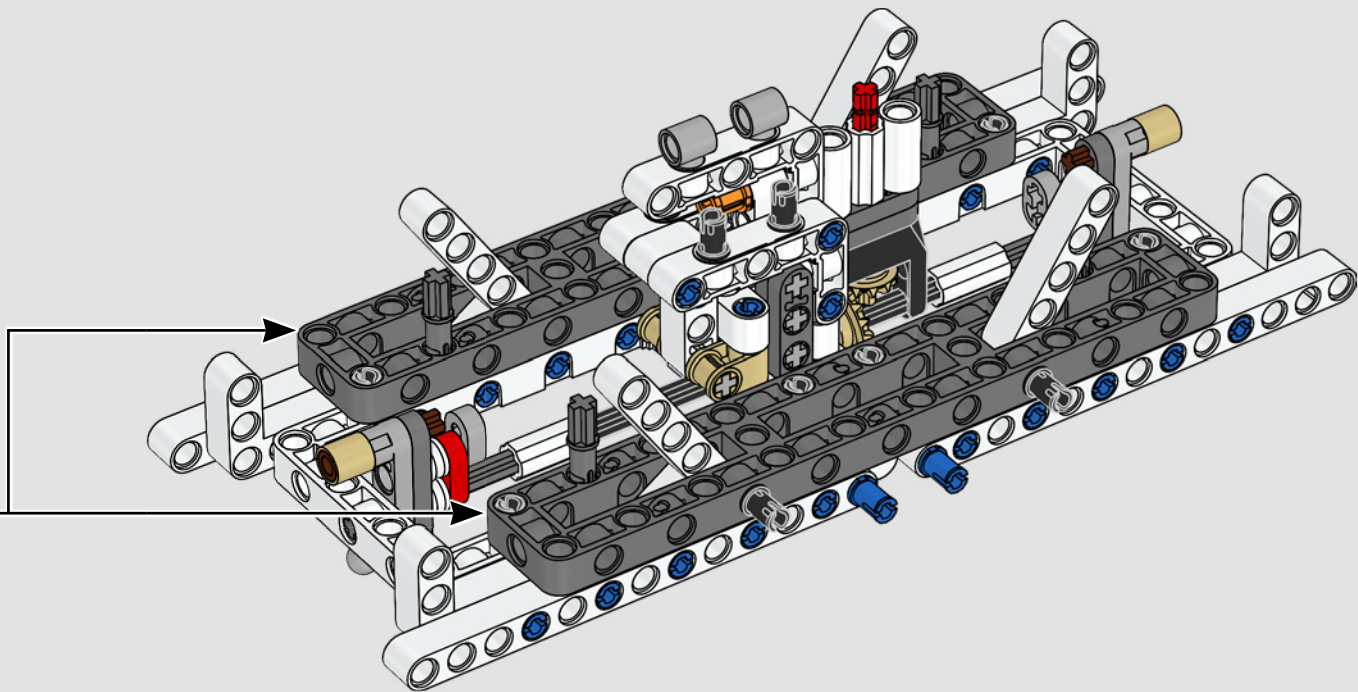
26

1

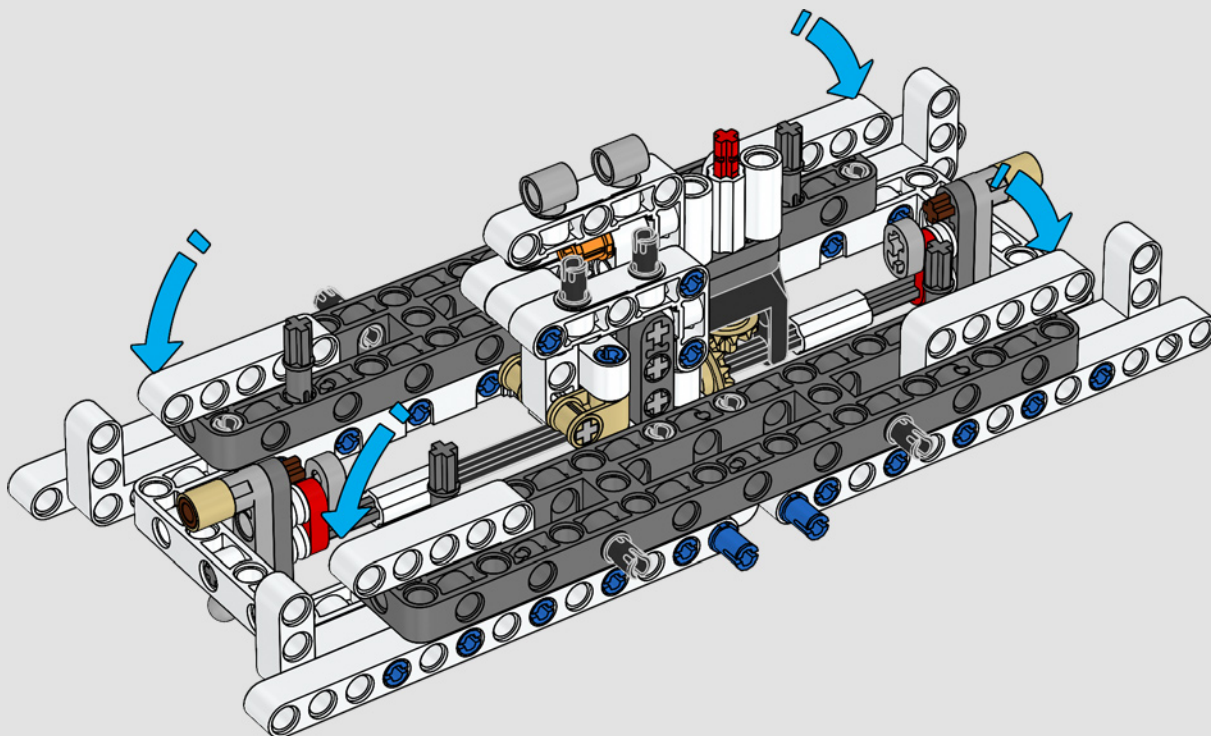


2

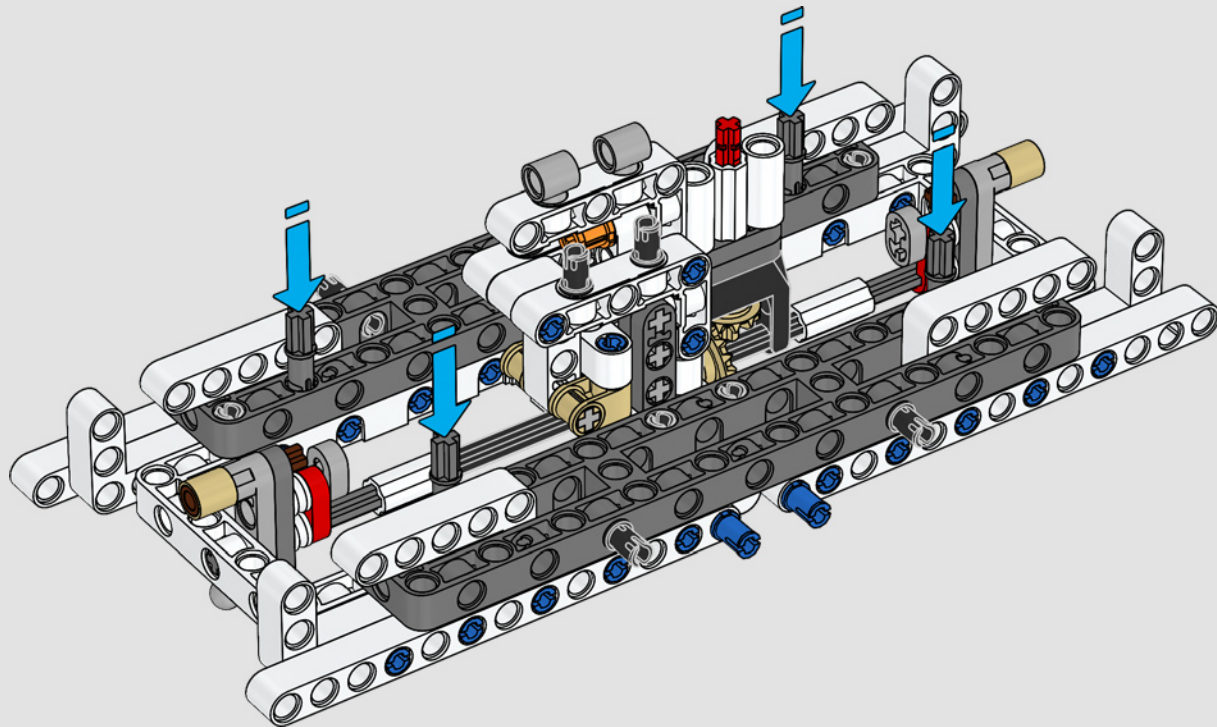




27



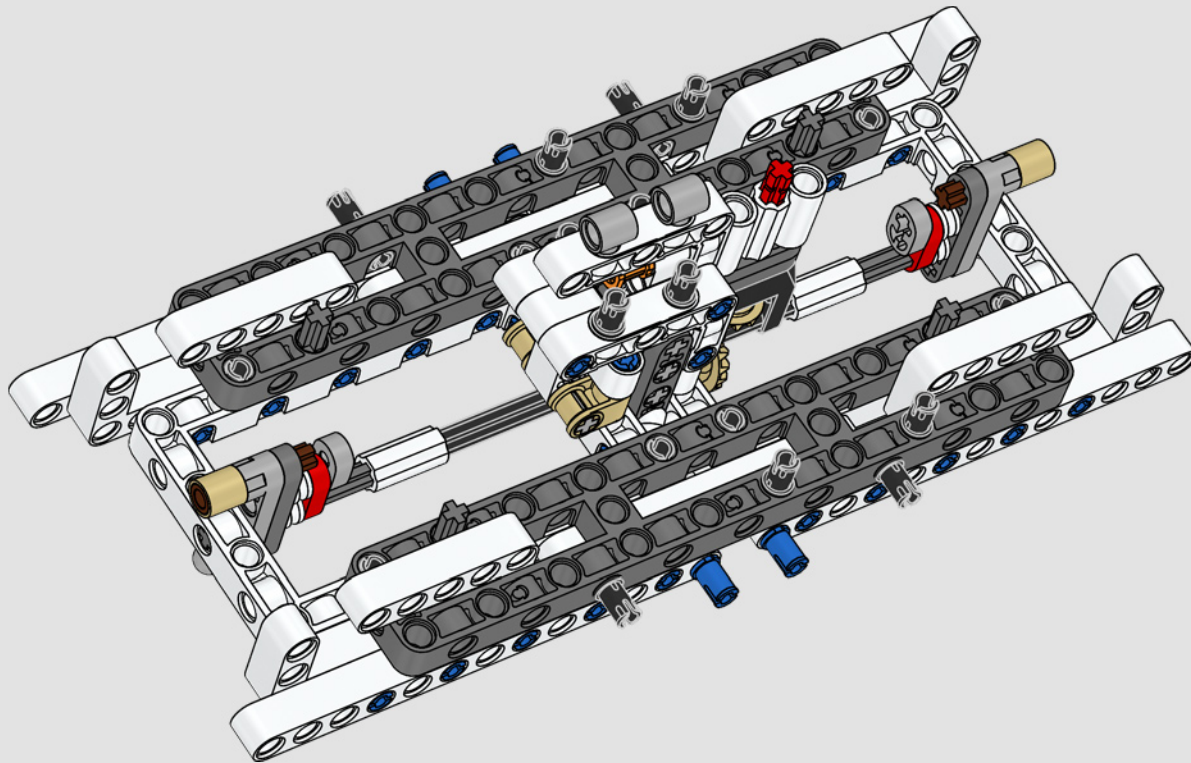
28

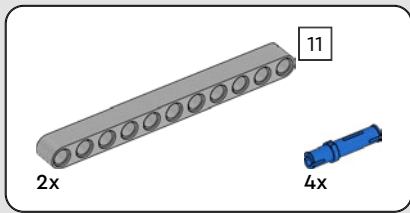




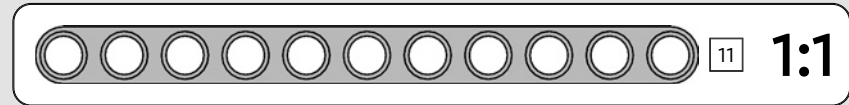
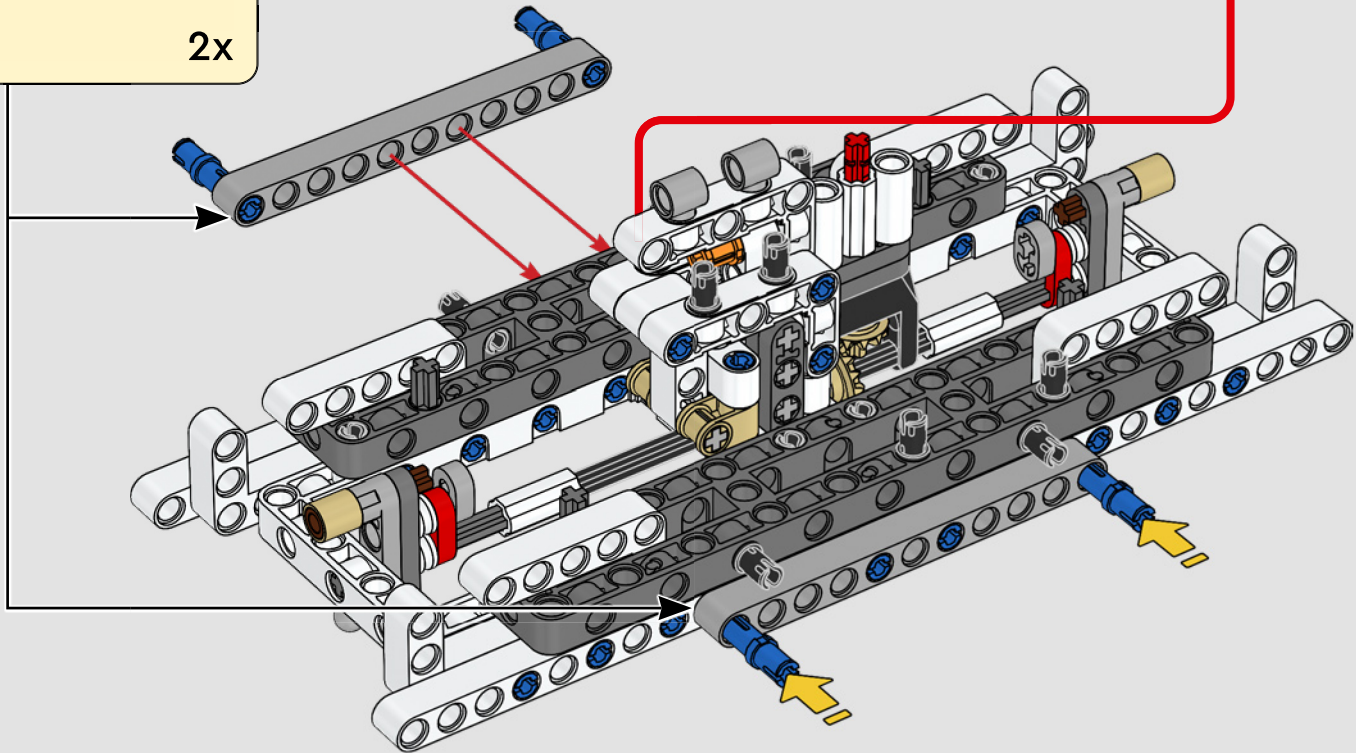
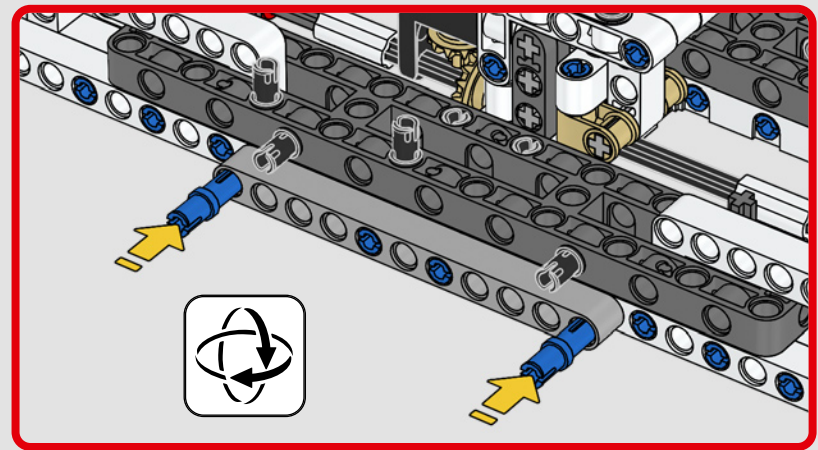
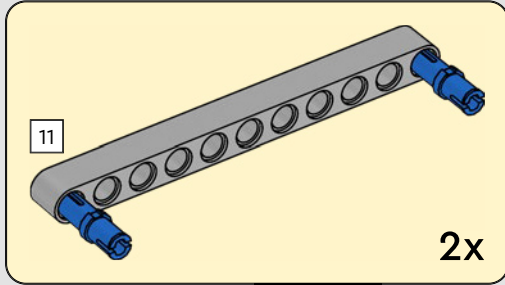
4x

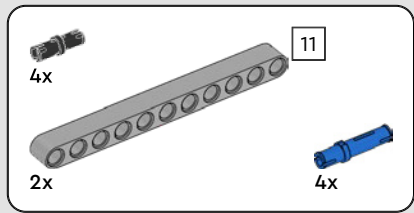
29



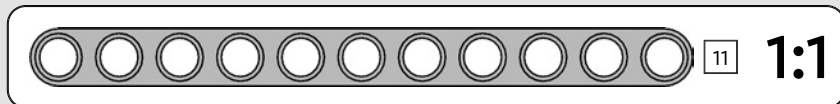
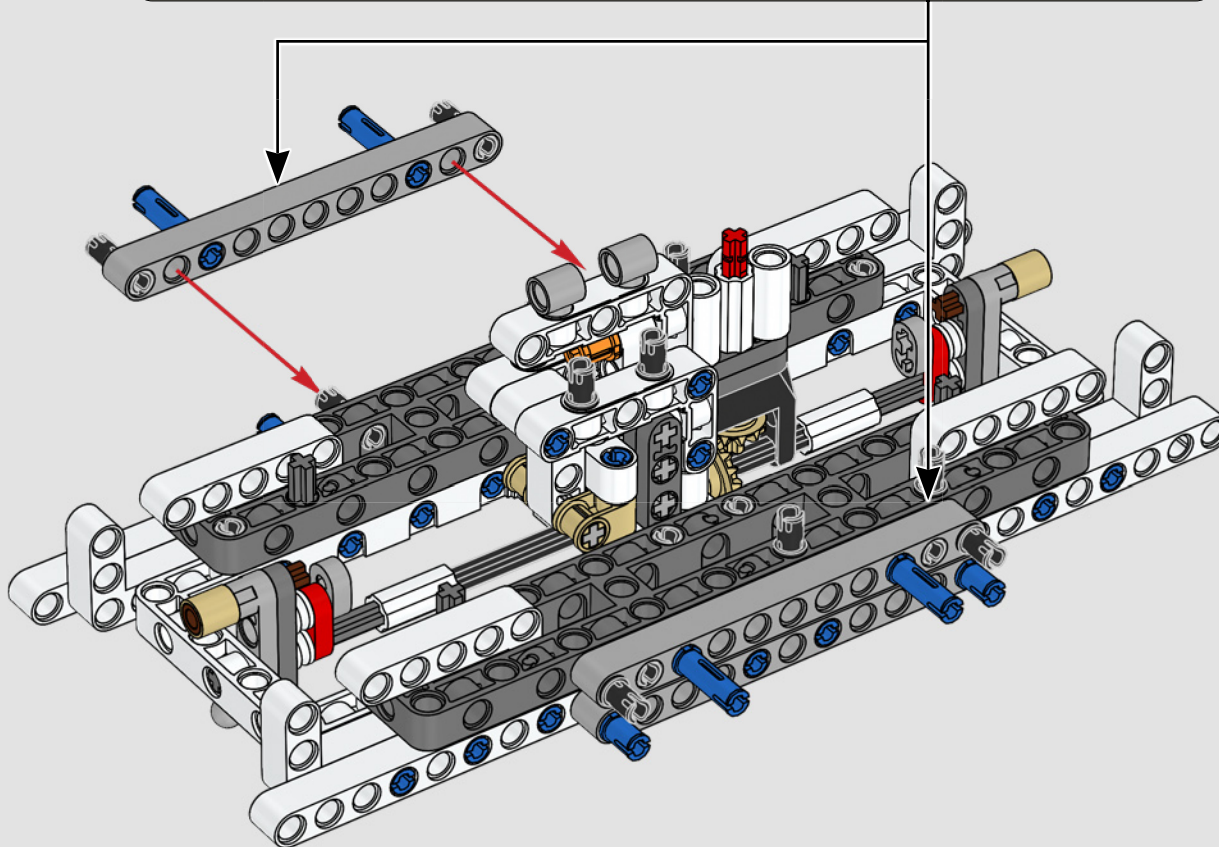
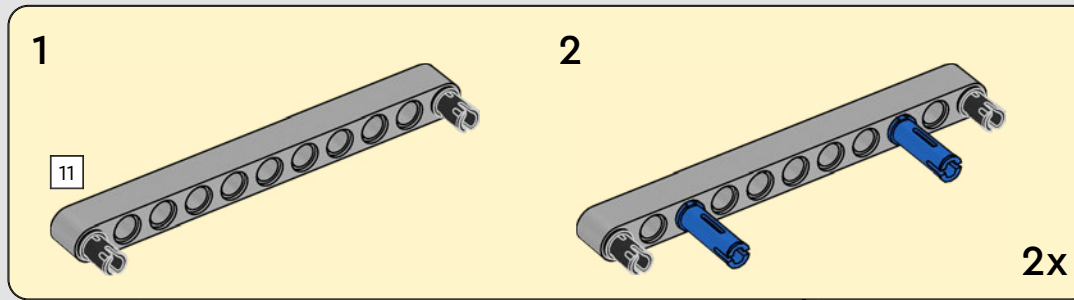


30





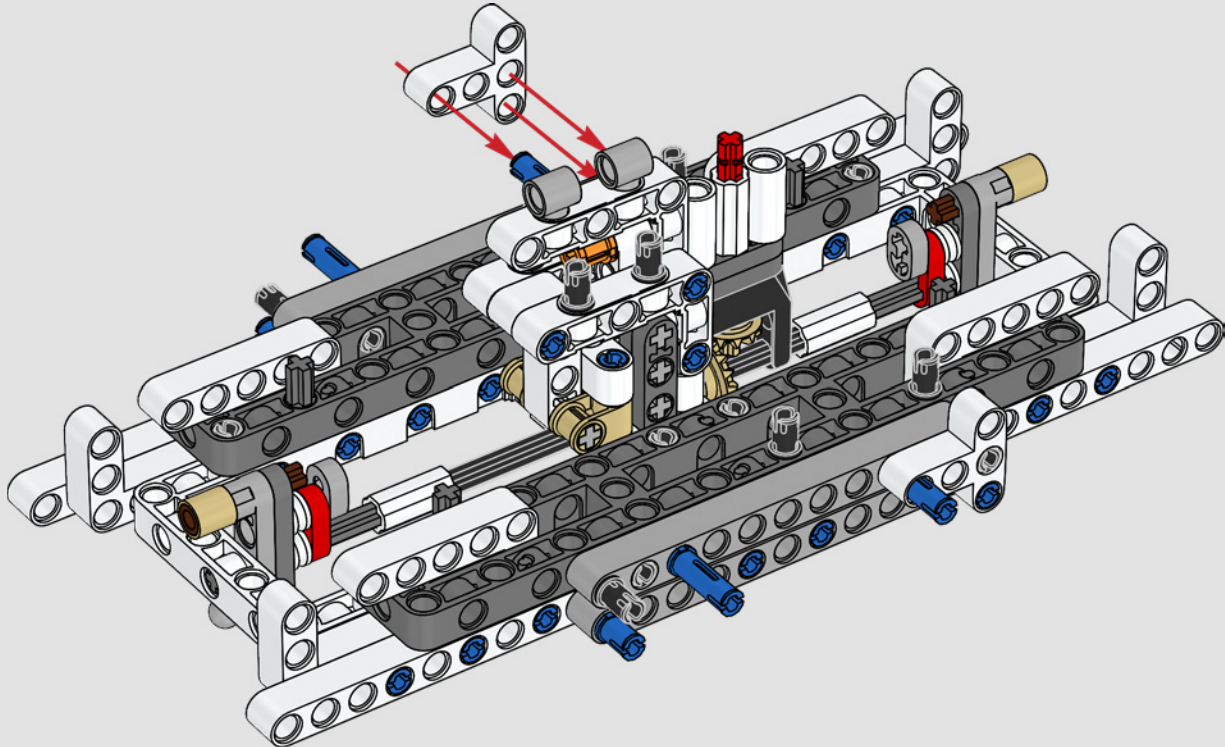
31

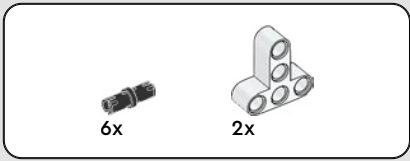




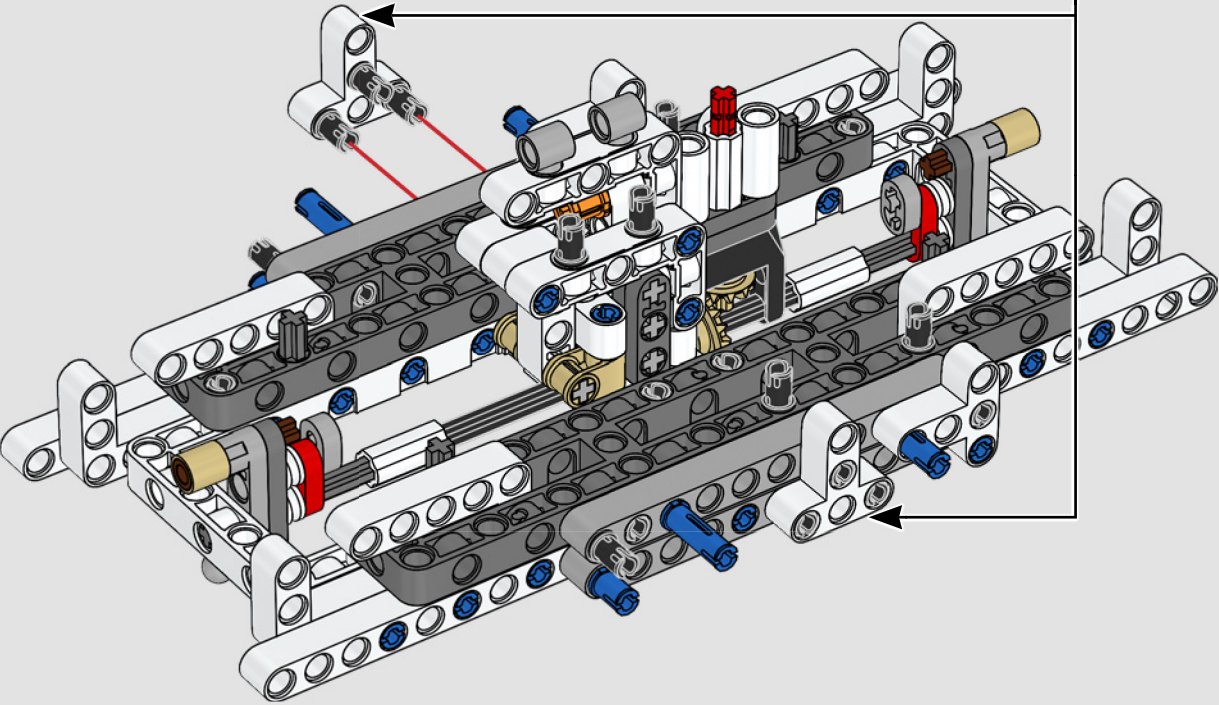
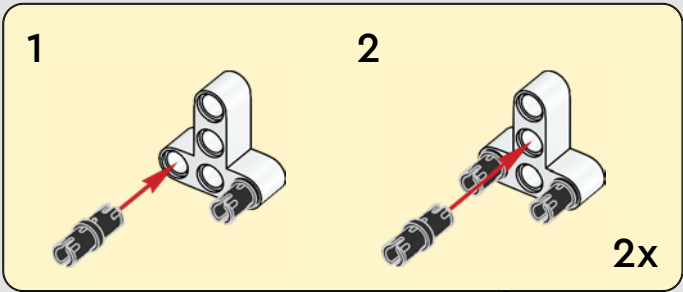
2x

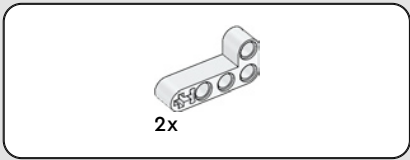
32



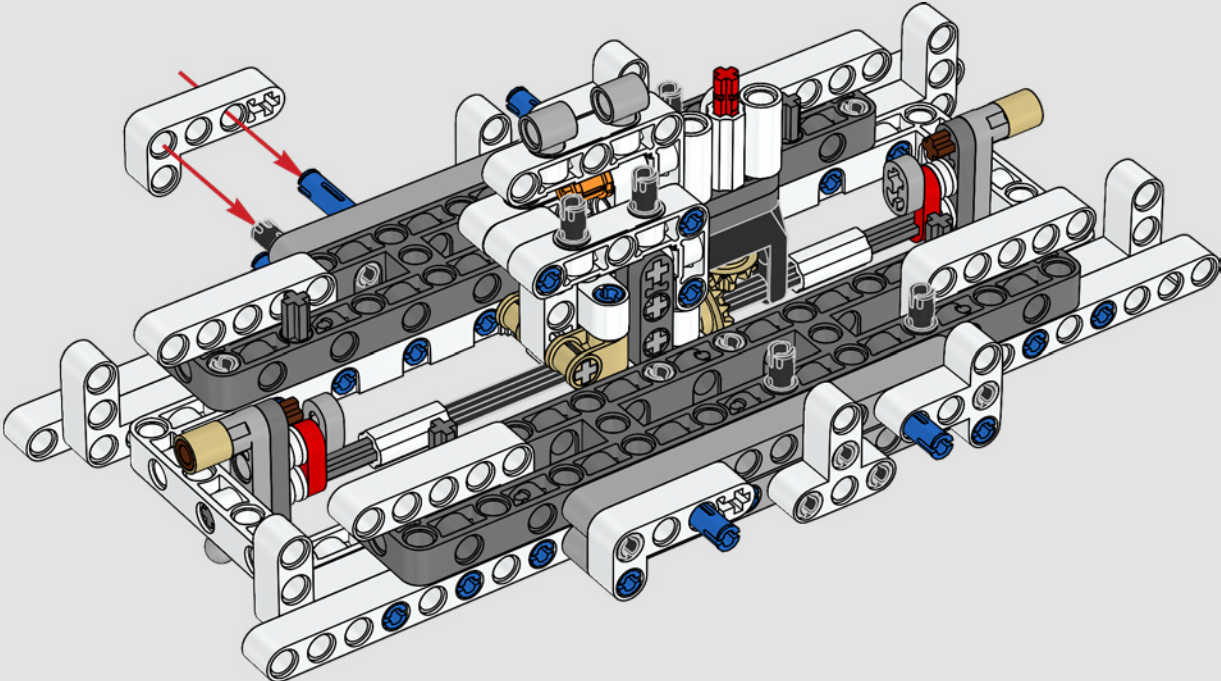


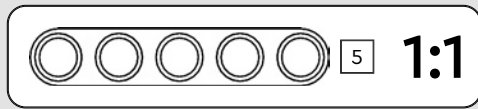
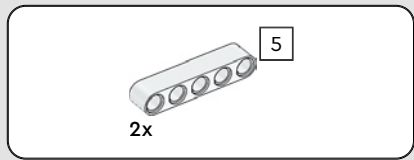
33



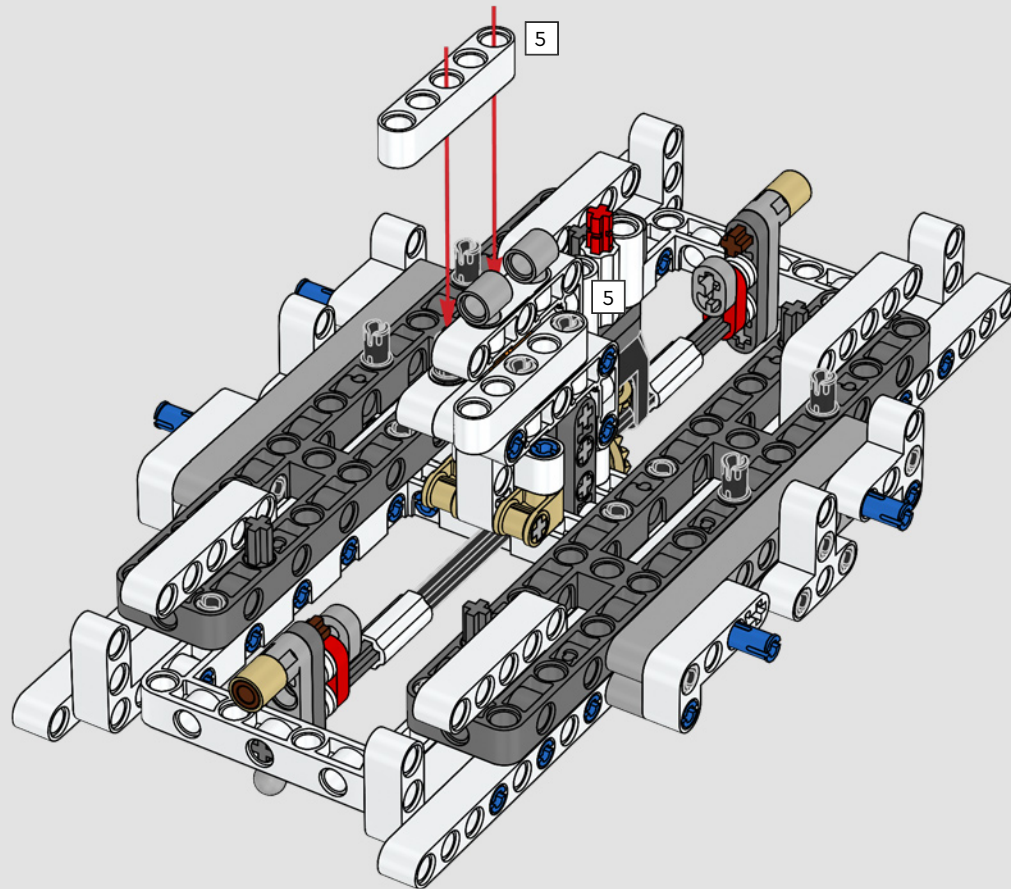


34

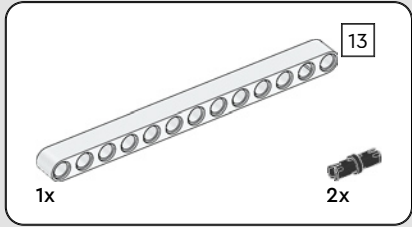
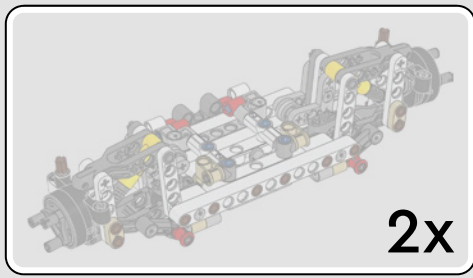




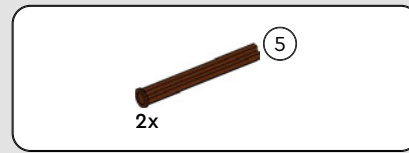
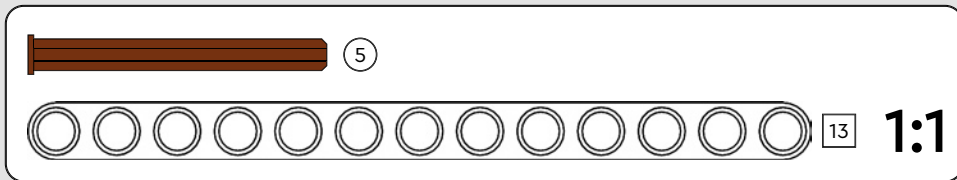
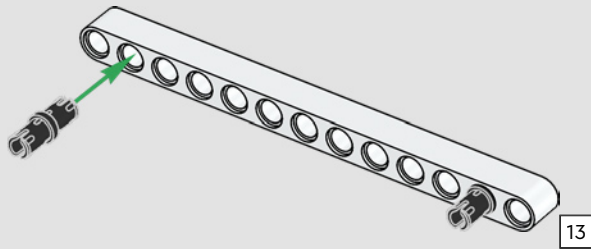
35



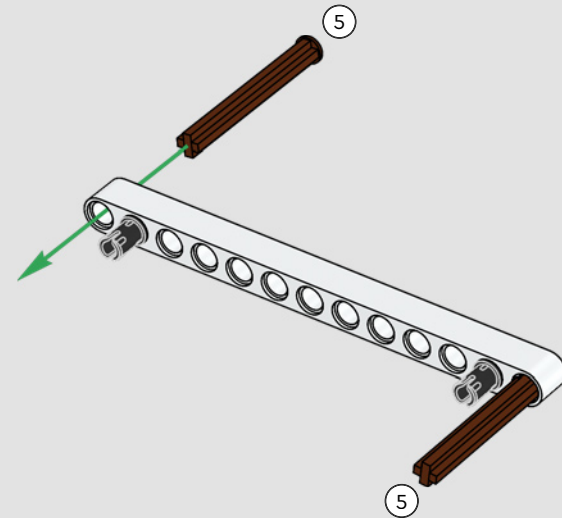


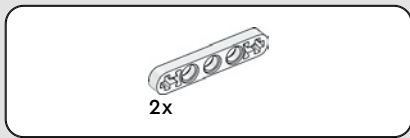


36

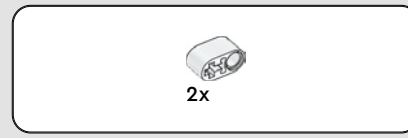
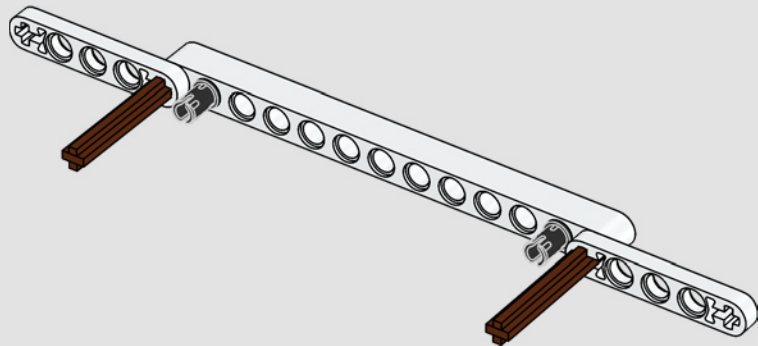


37

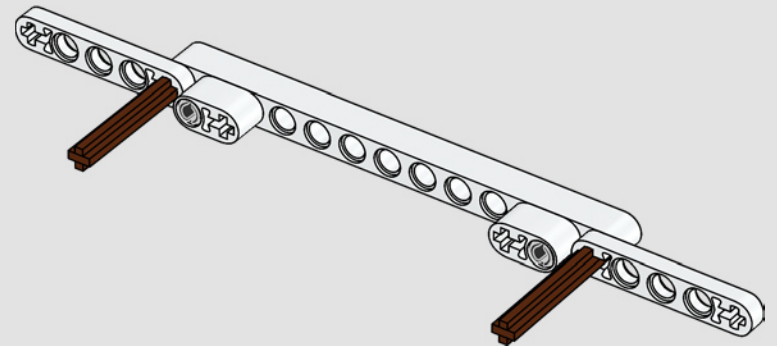


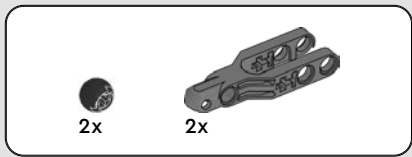


38

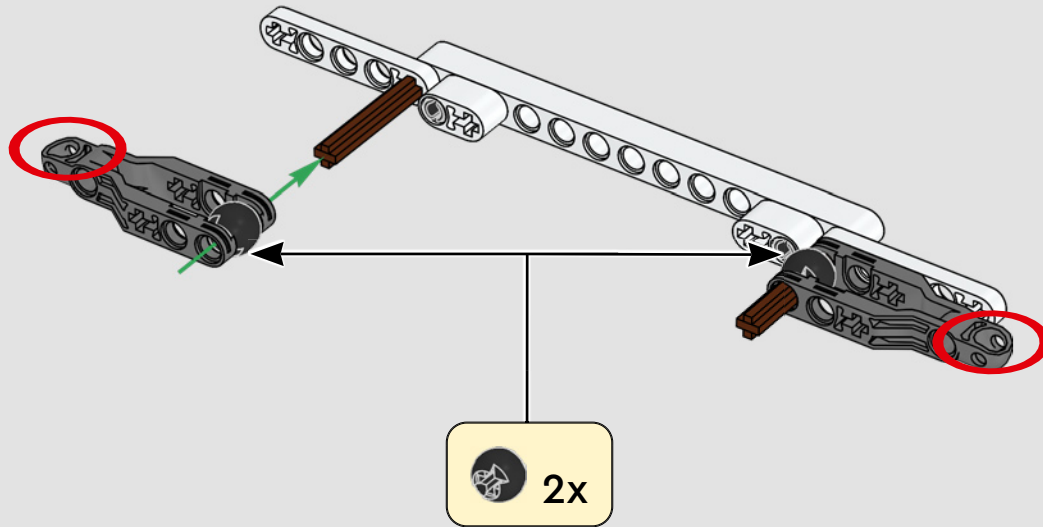
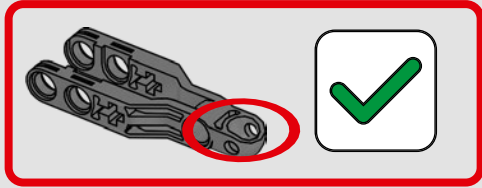


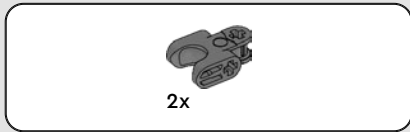
39



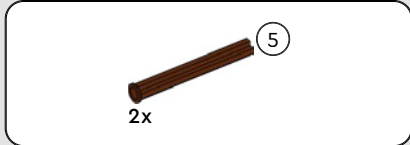
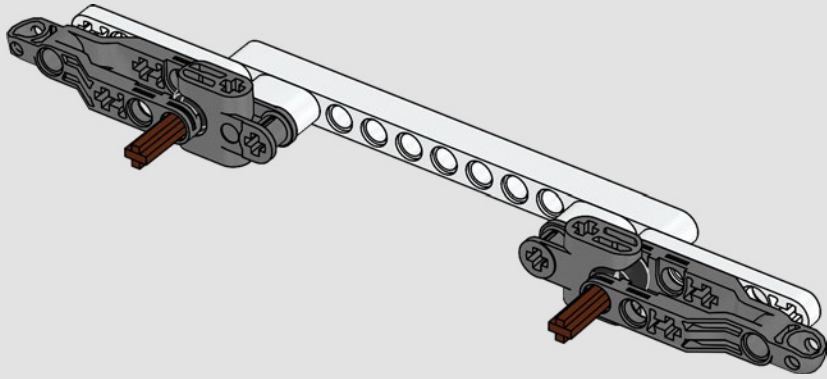


40

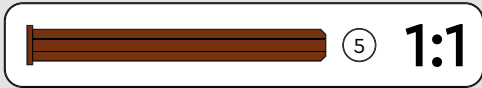
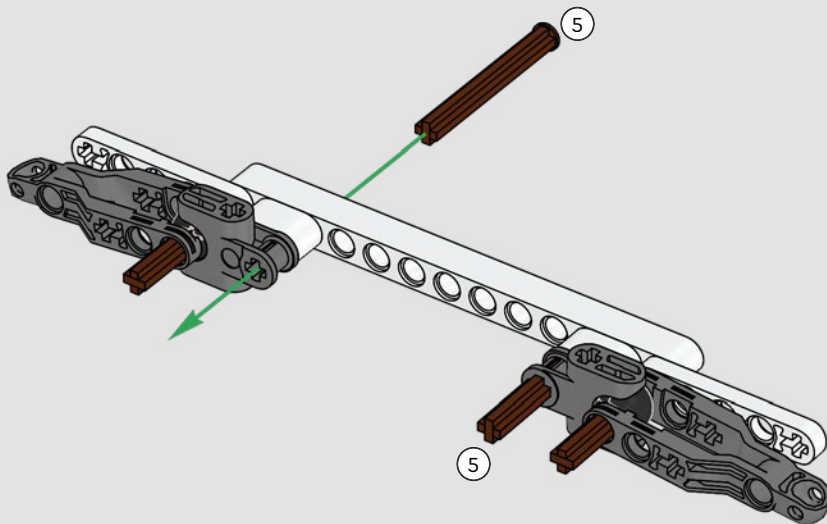




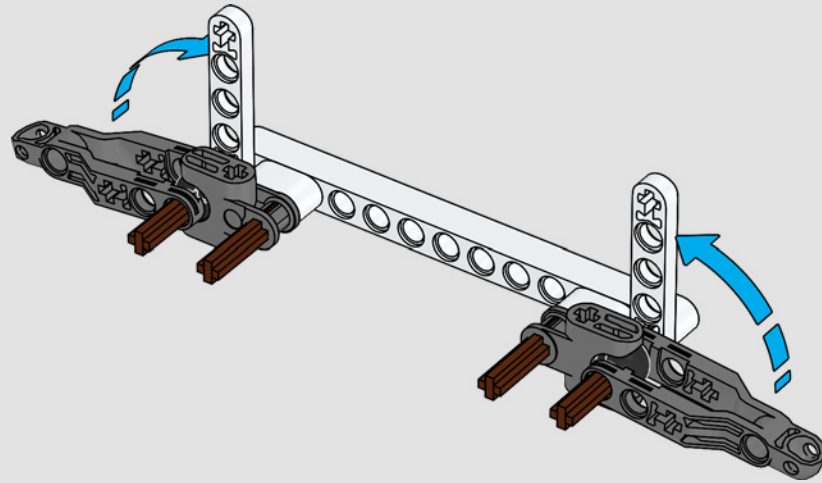
41



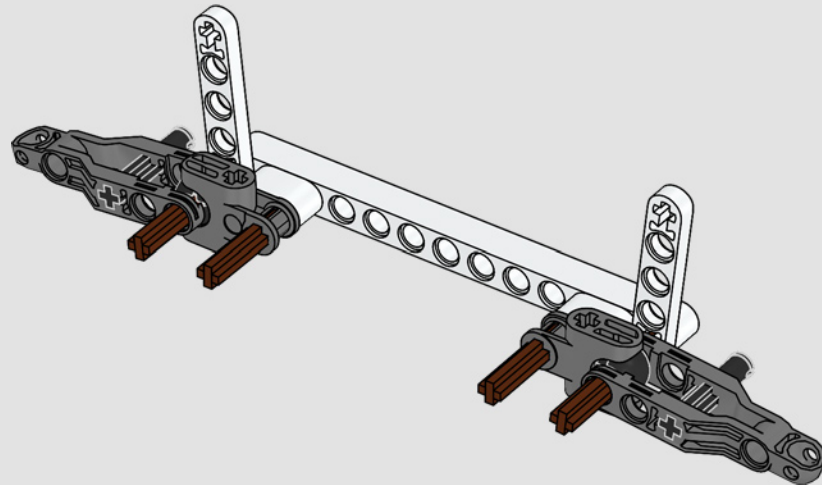
42

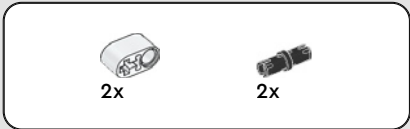


43

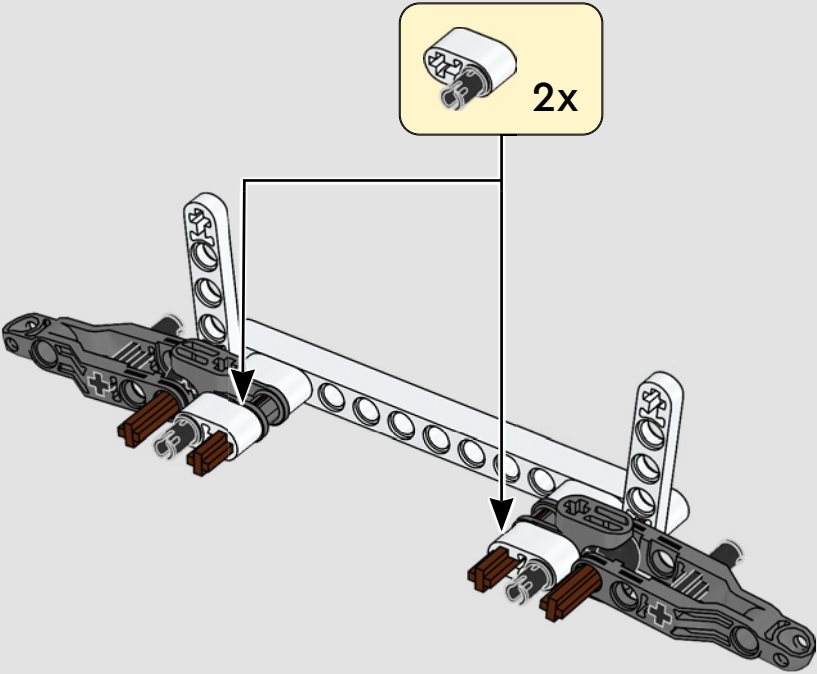


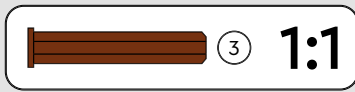
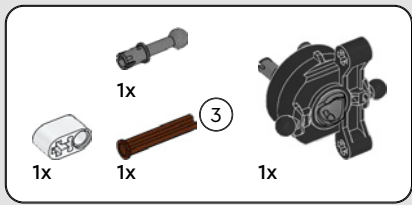
44



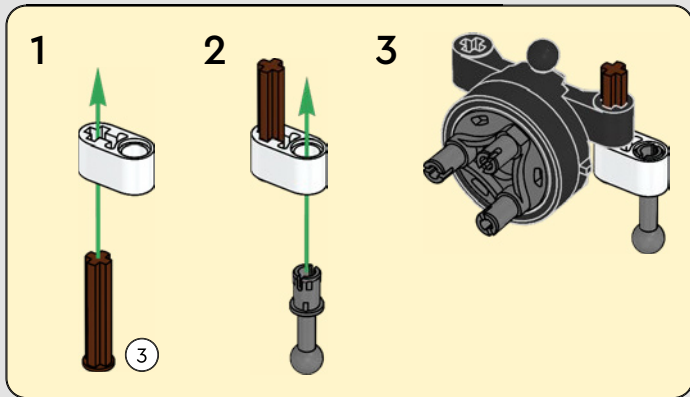
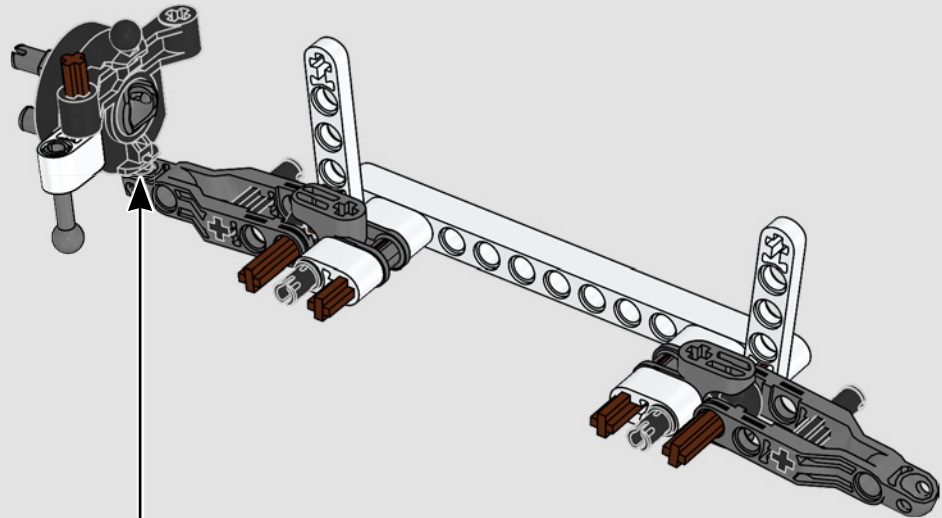


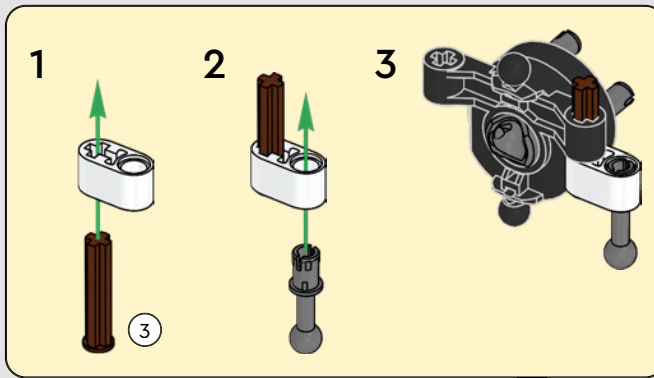
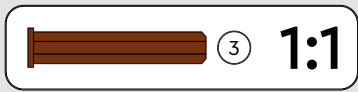
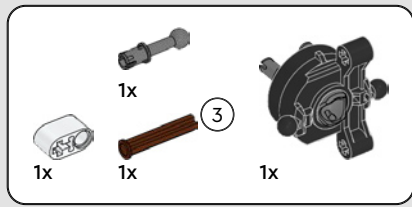
45



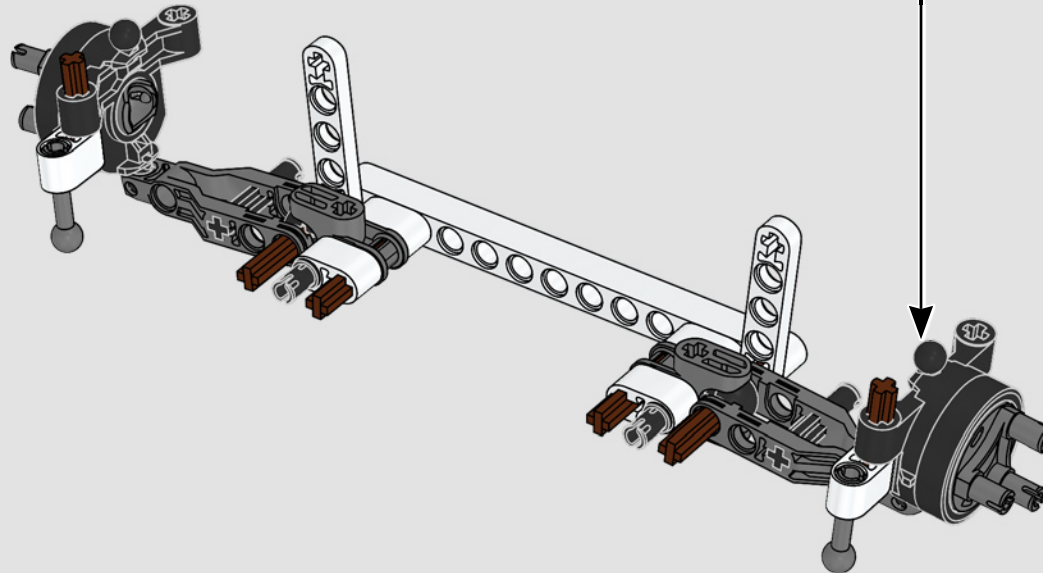


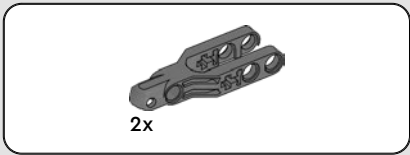
46



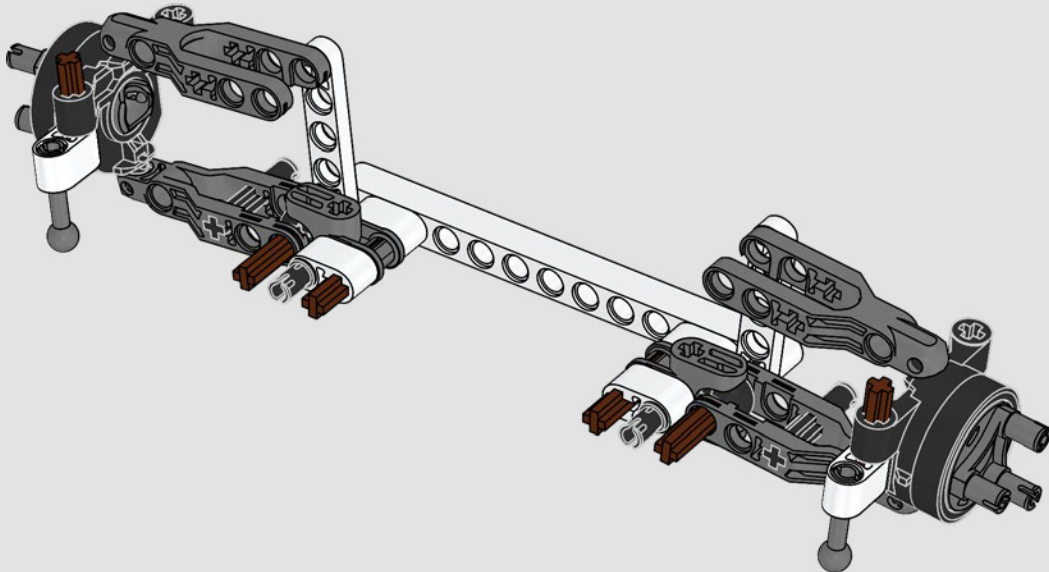


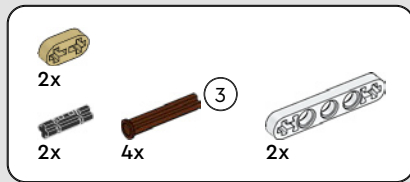
47



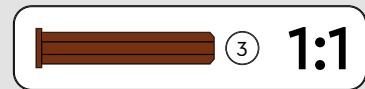
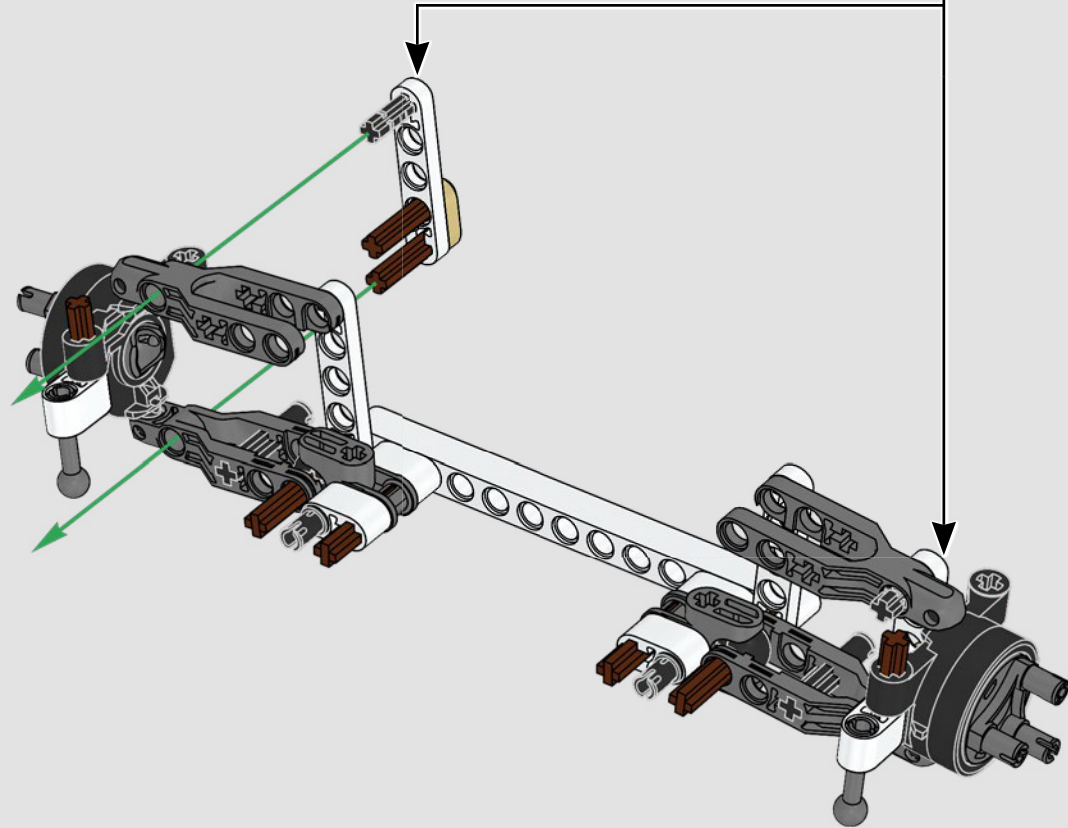
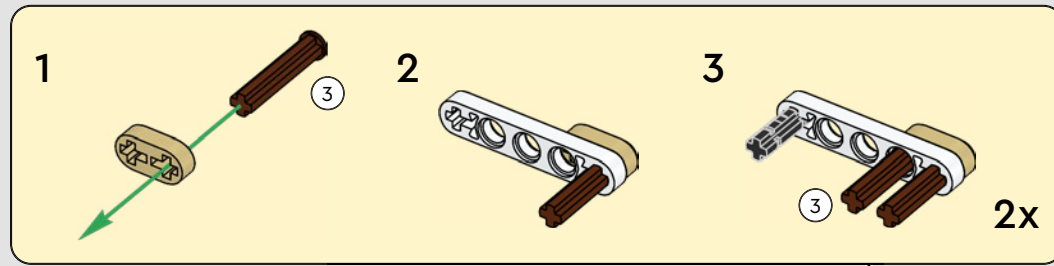


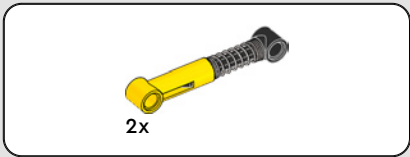
48



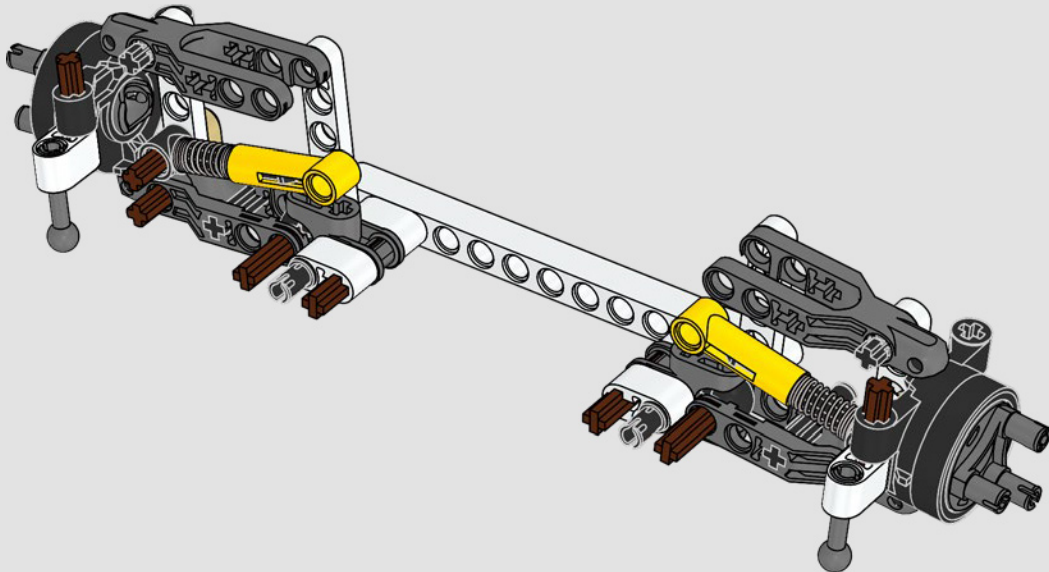


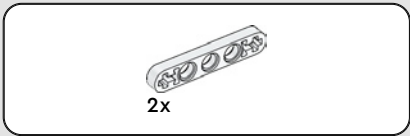
49



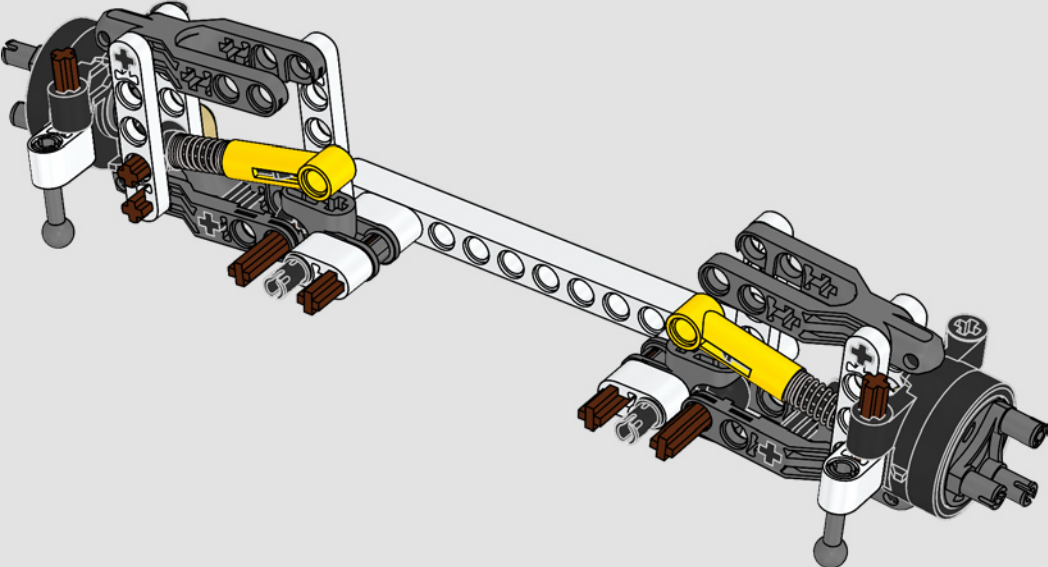


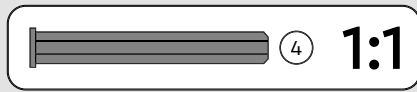
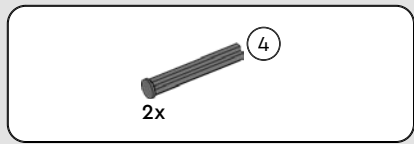
50



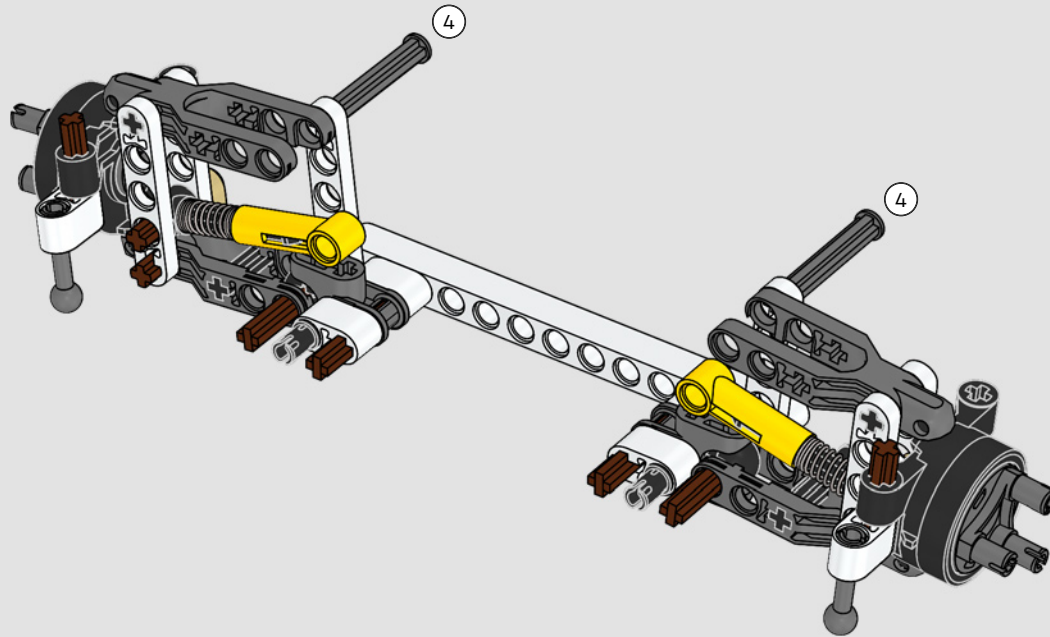


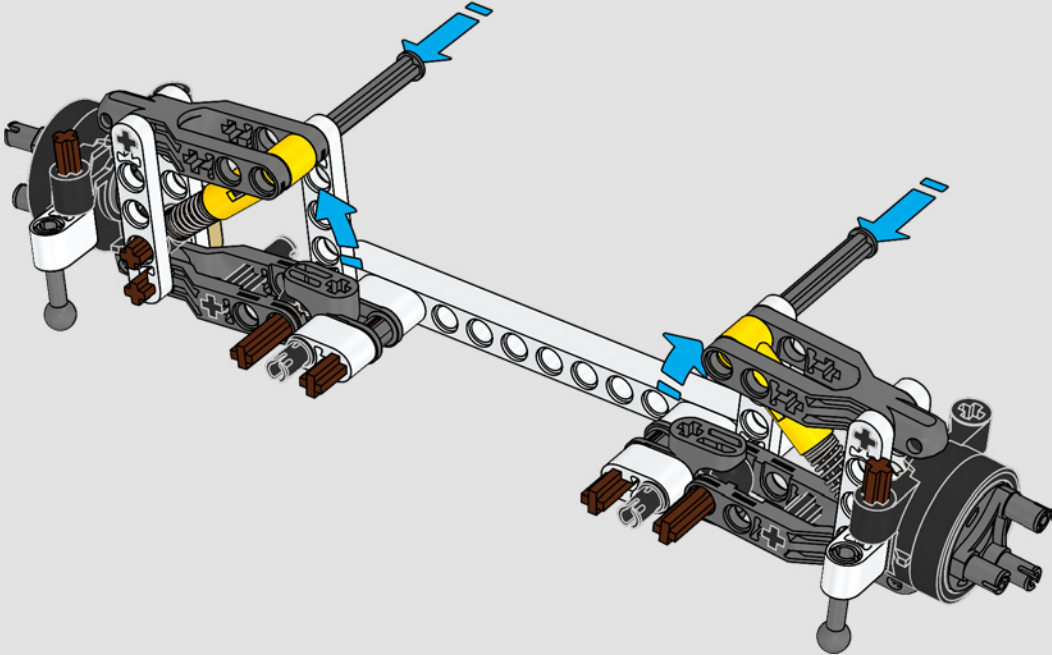
51

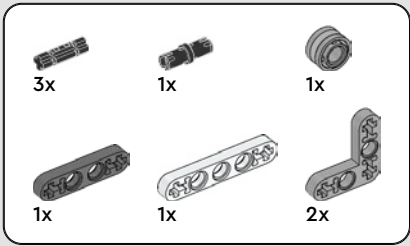




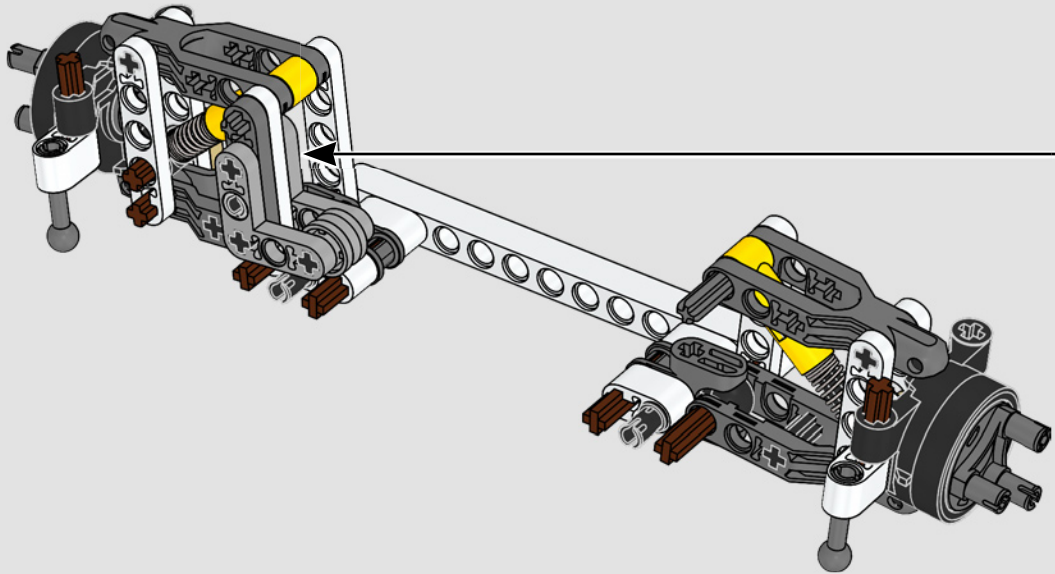
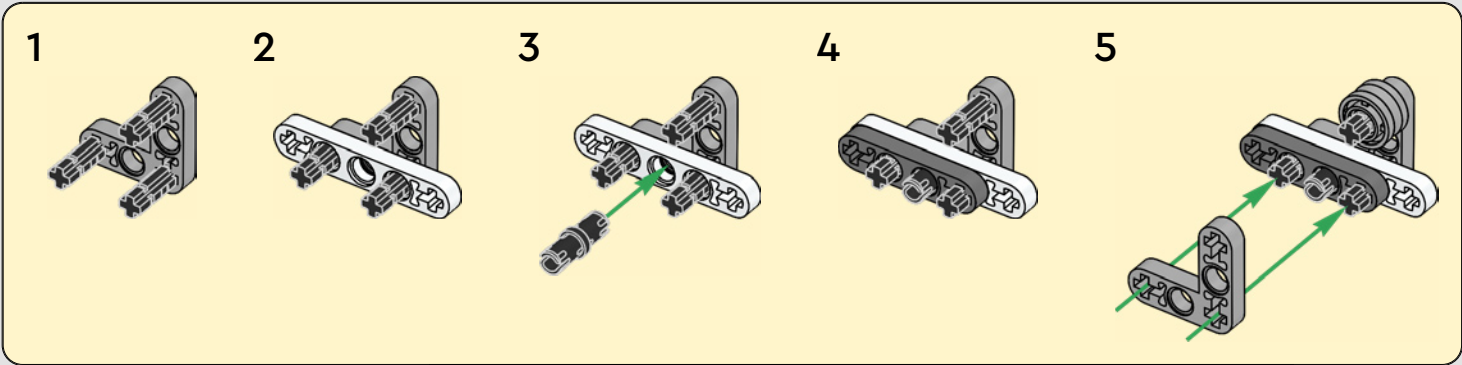
52

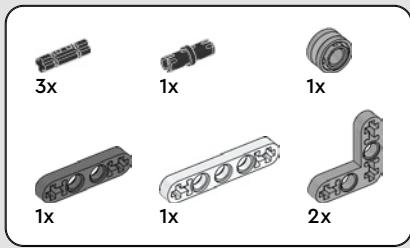




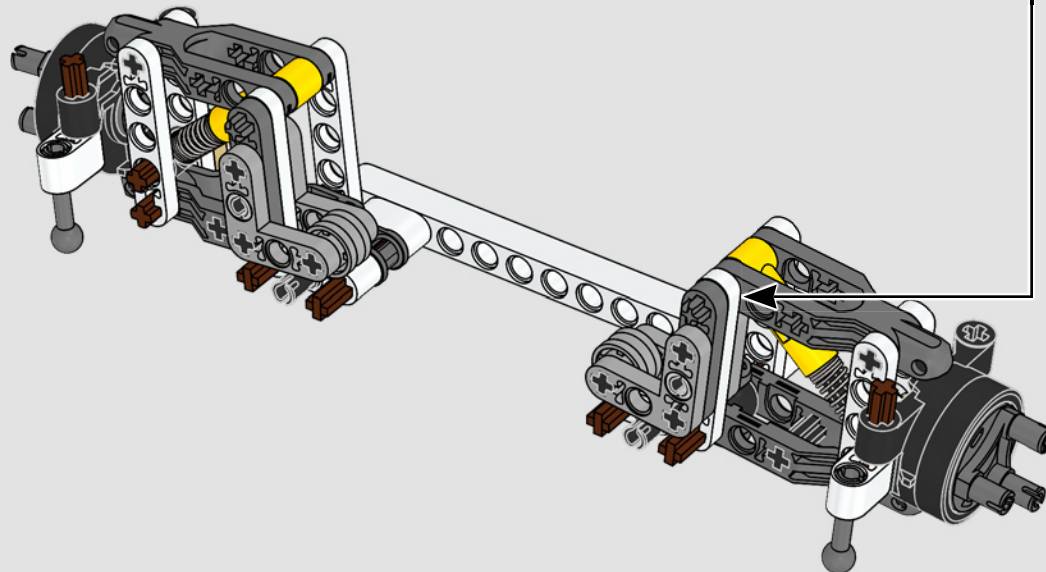
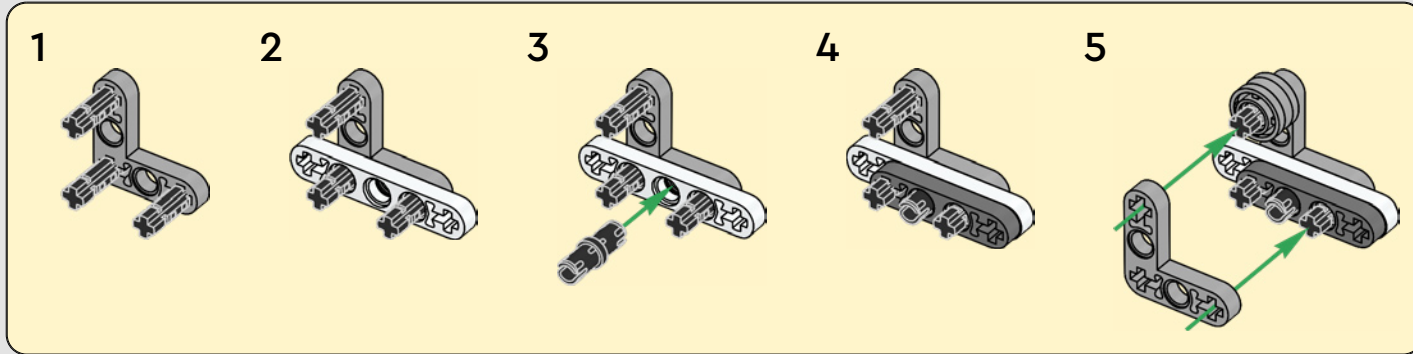


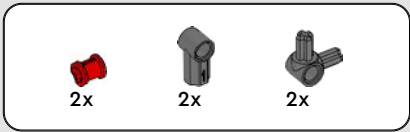
54



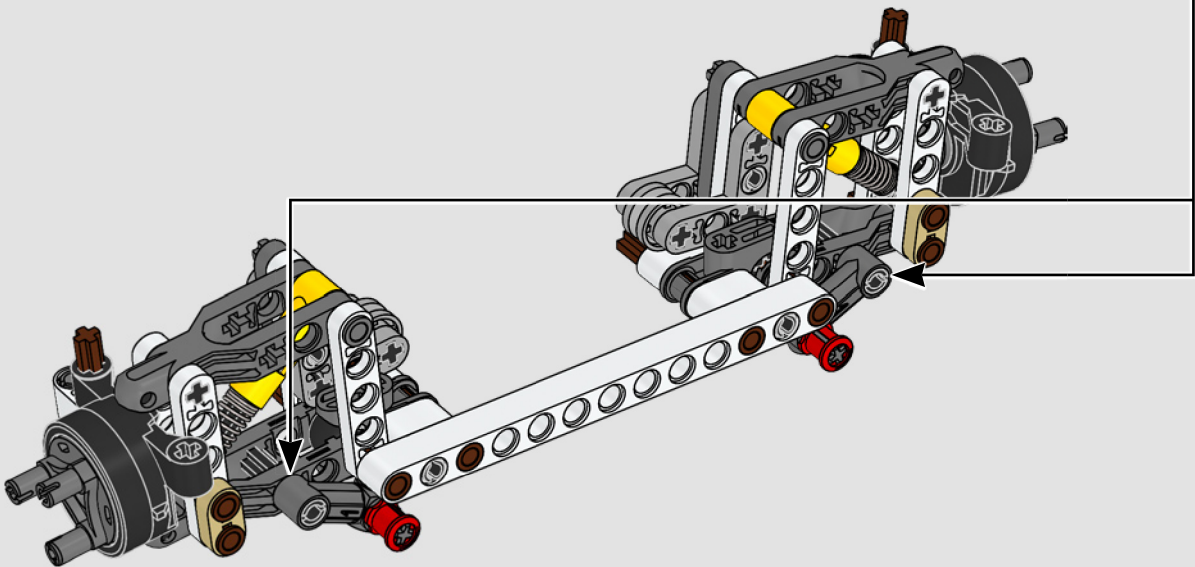
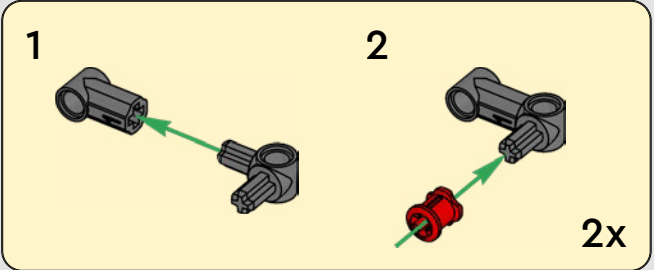


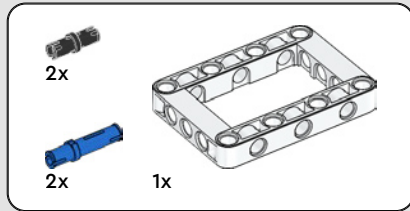
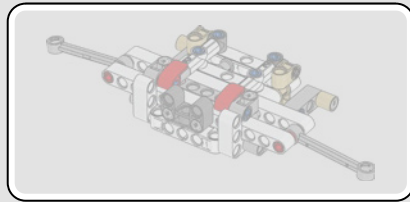
55



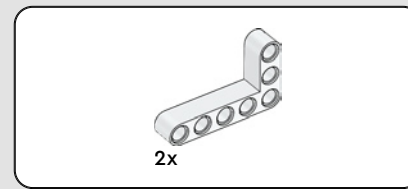
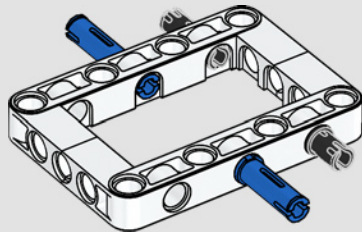


56

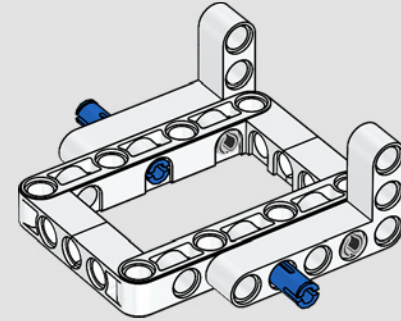




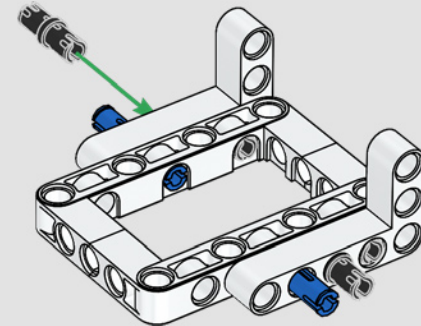
57

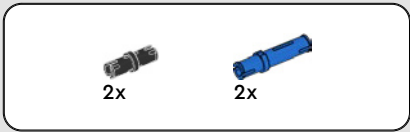


58

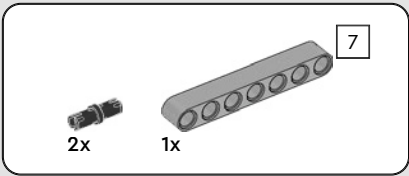
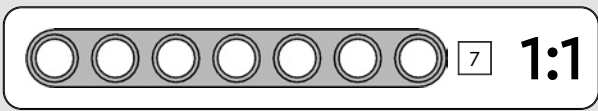
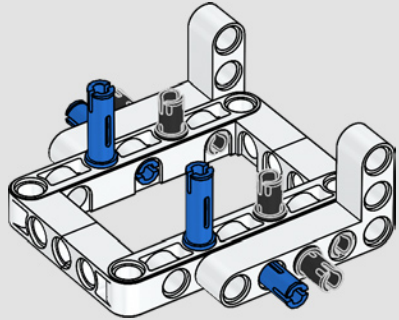


59

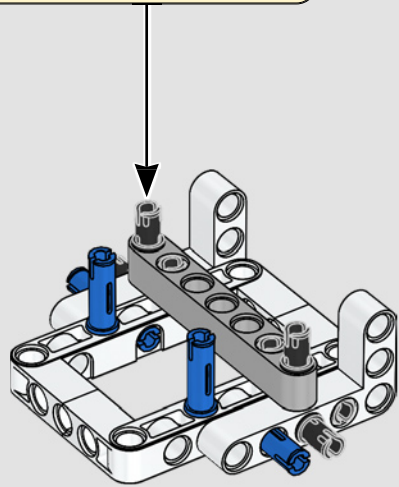
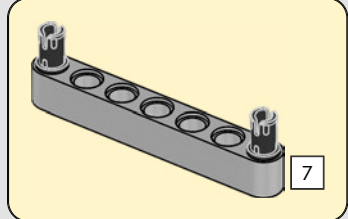


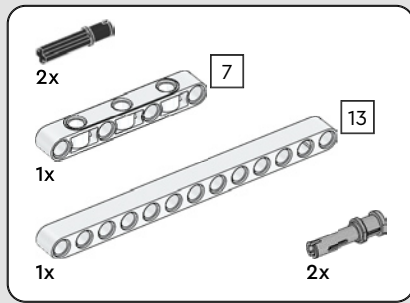


60

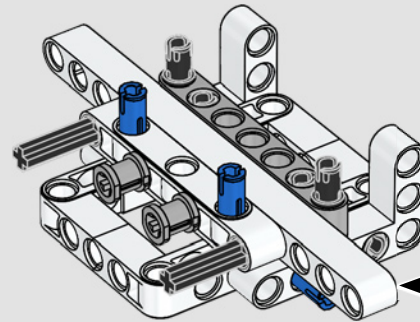
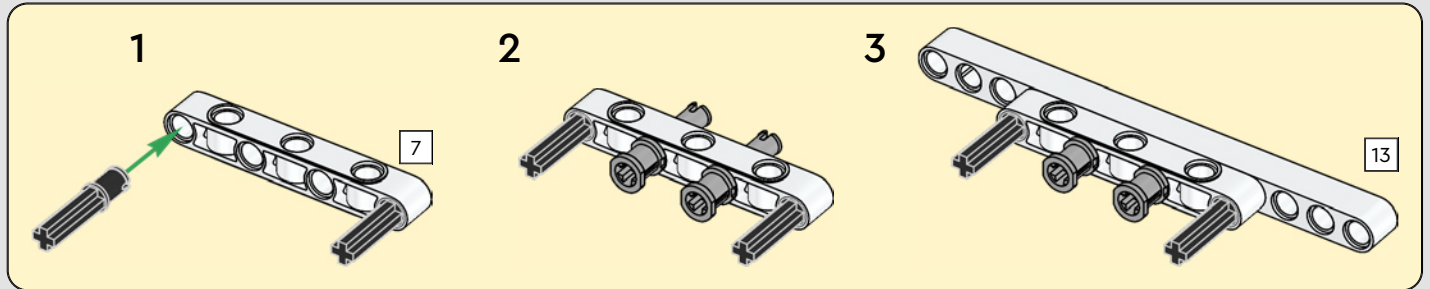
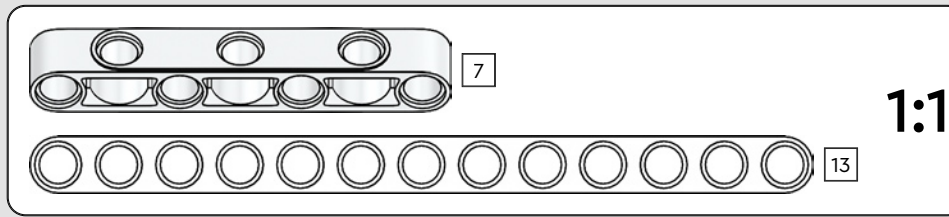


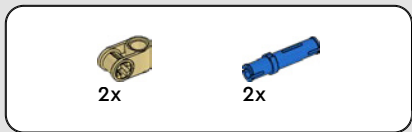
61



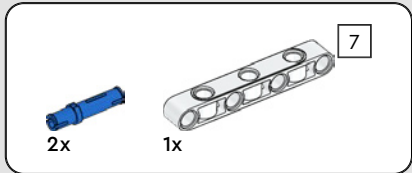
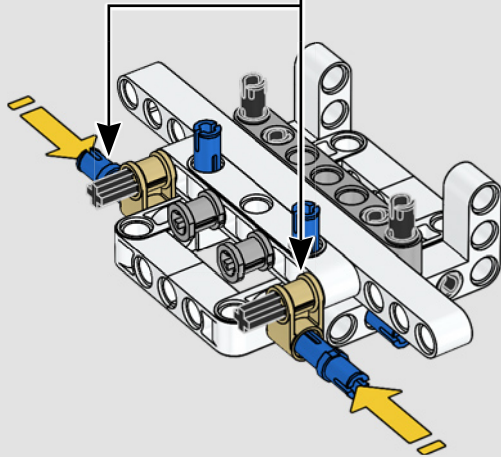
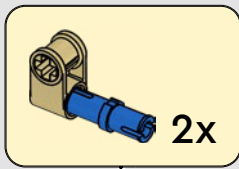


62

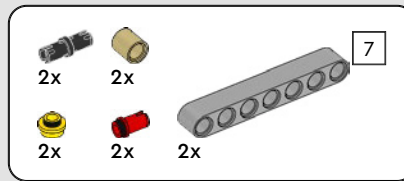
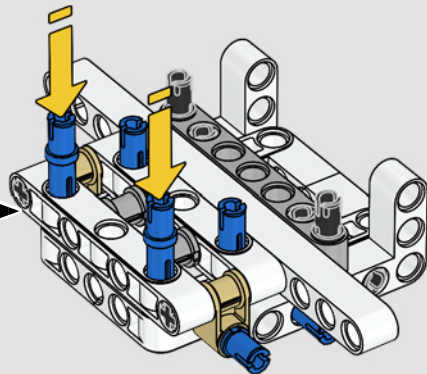
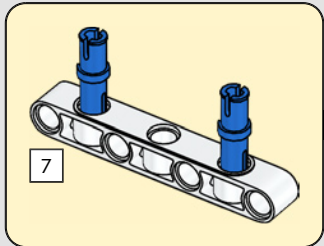




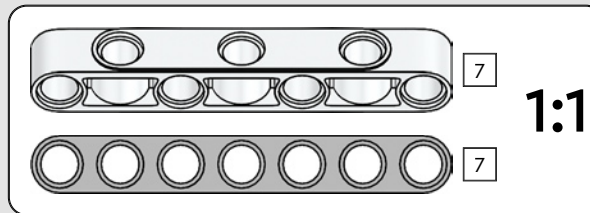
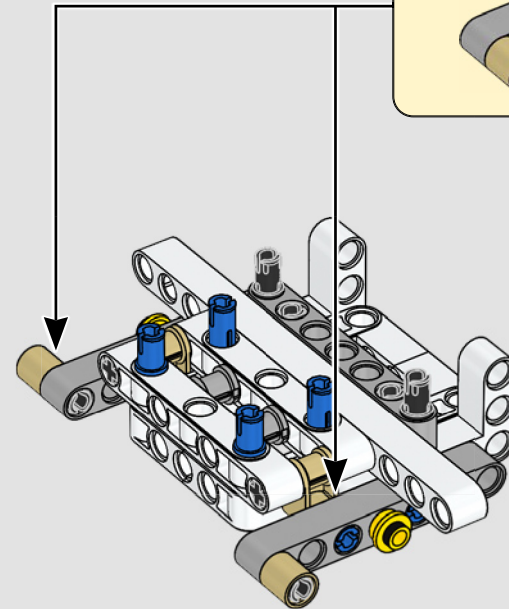
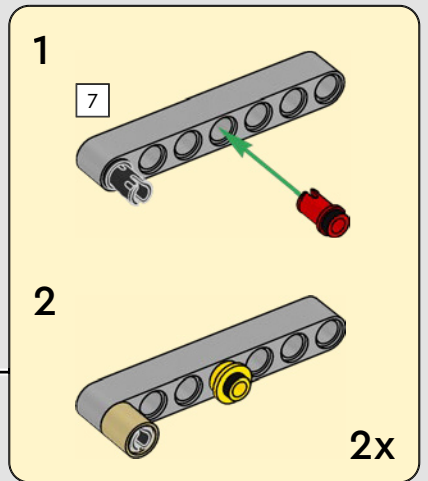
63

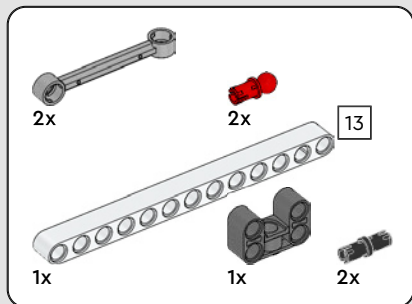


64

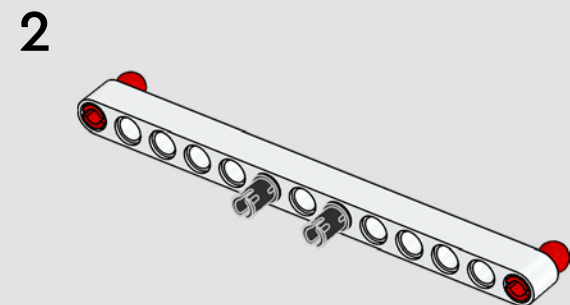
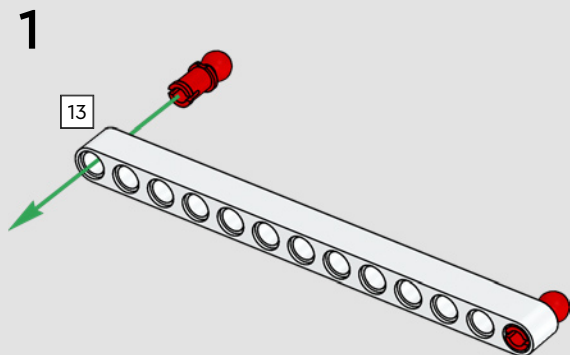


65

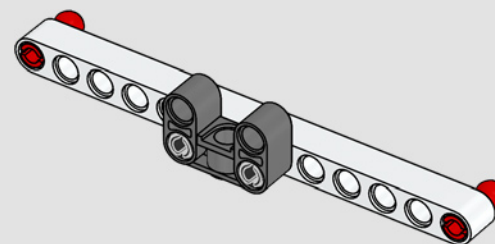




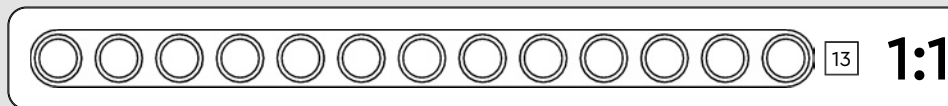
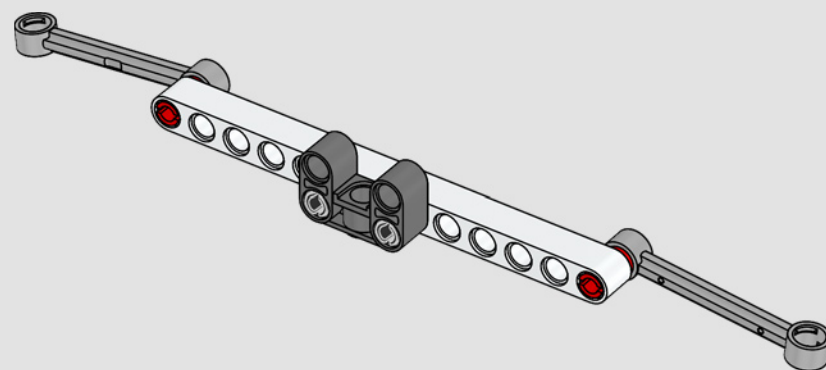
66

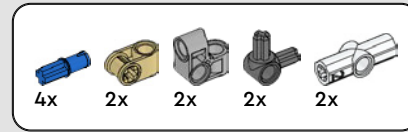
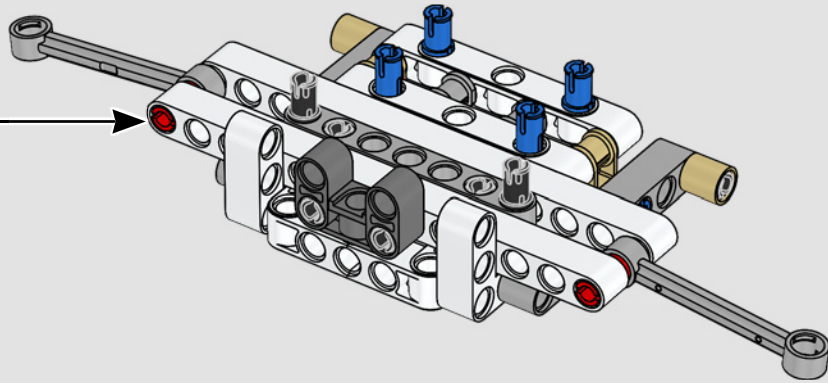


3

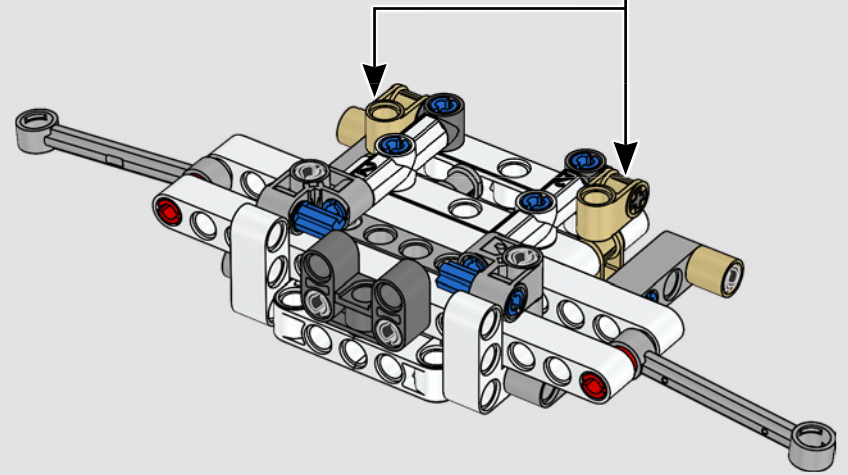
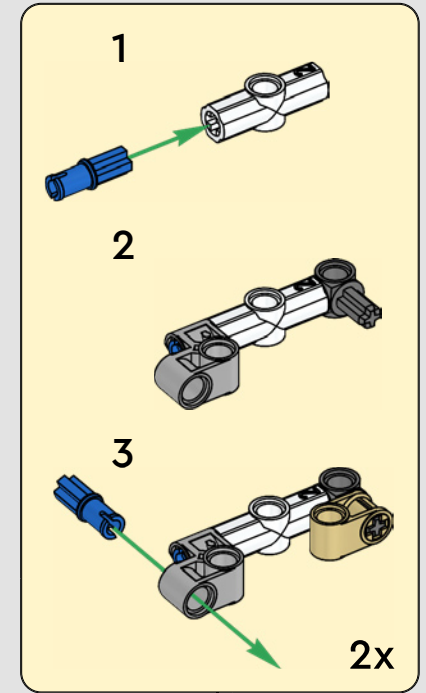


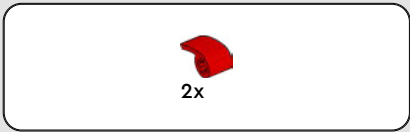
4



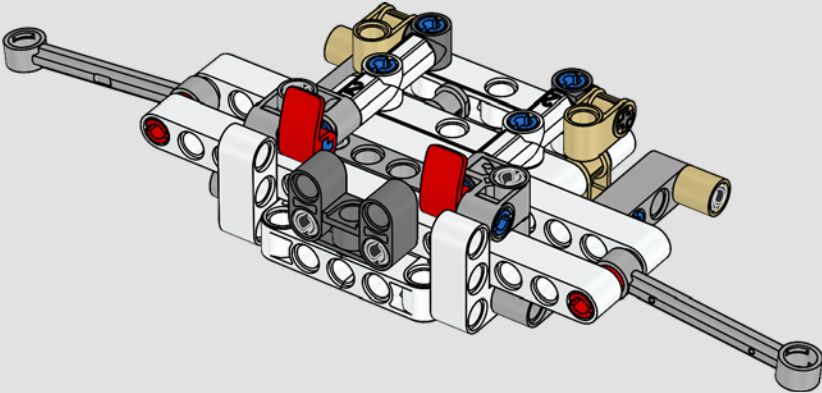


67

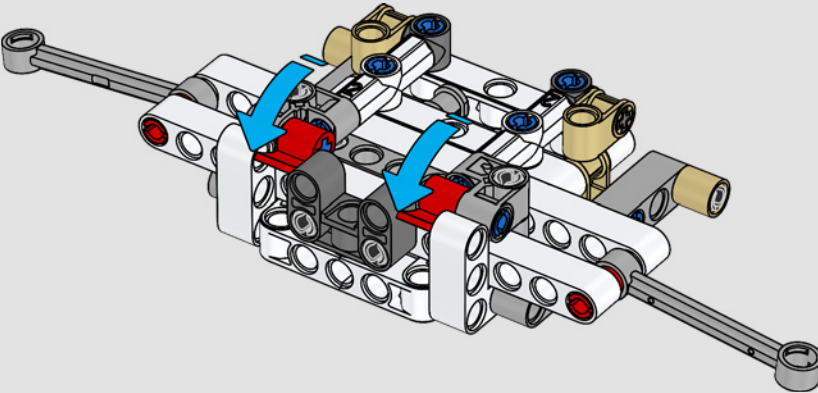


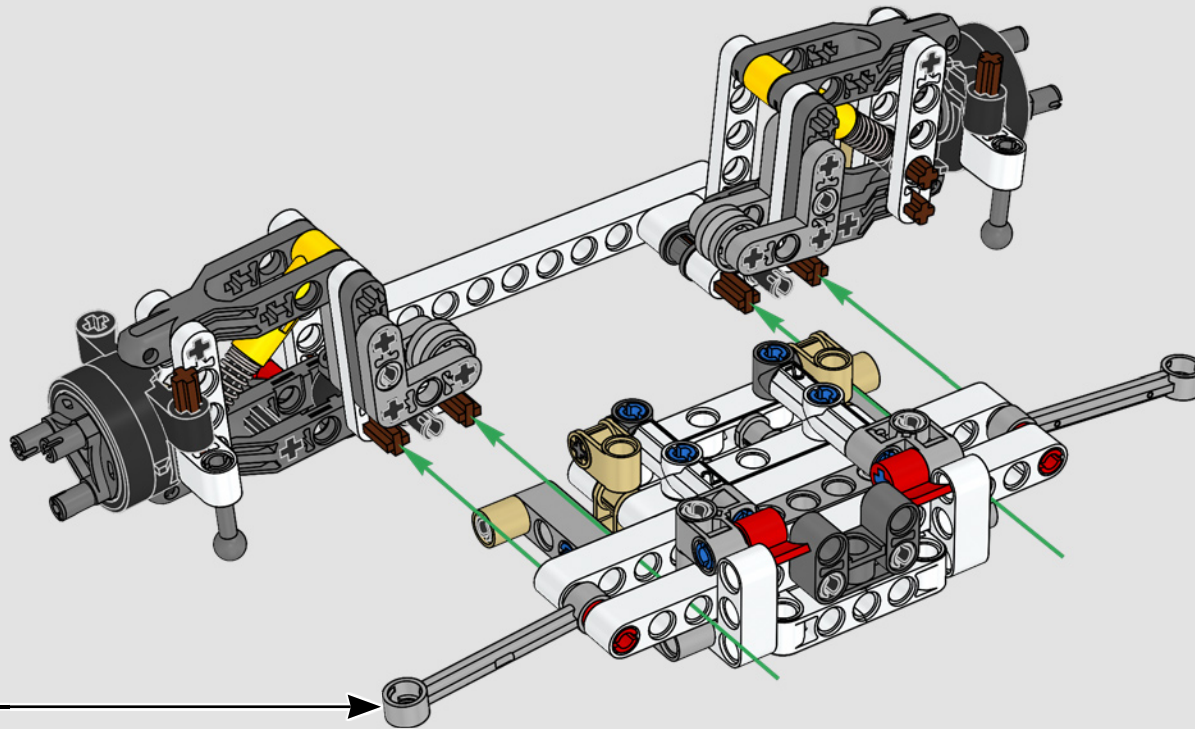


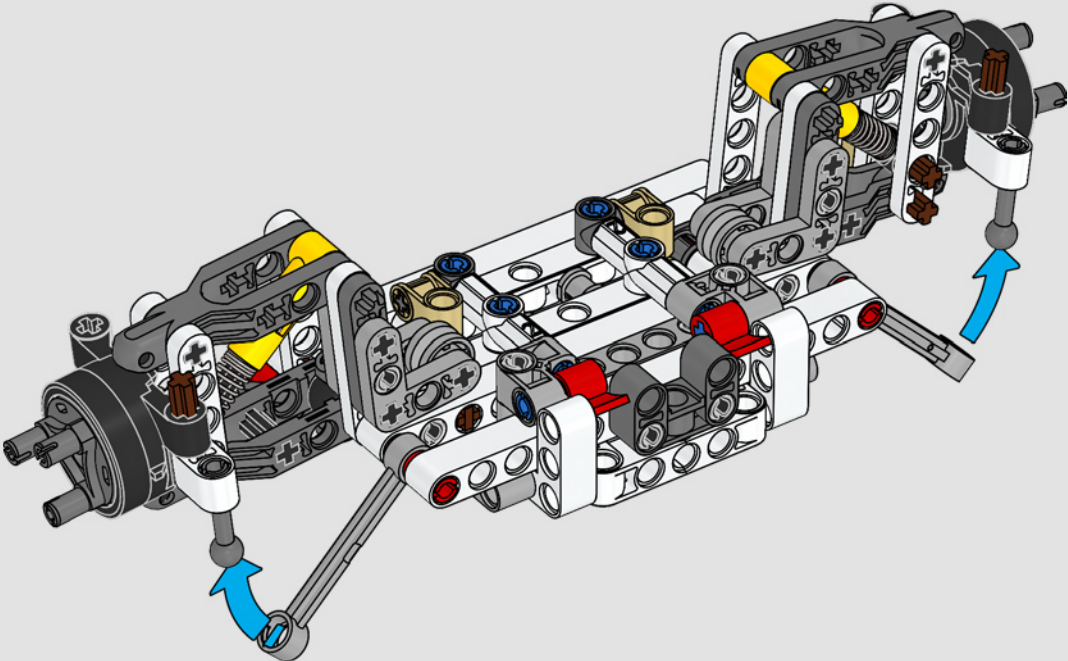
68

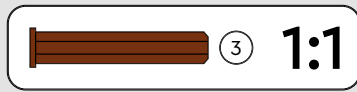
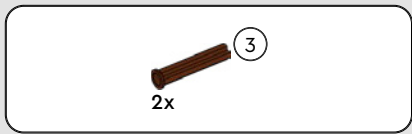


69

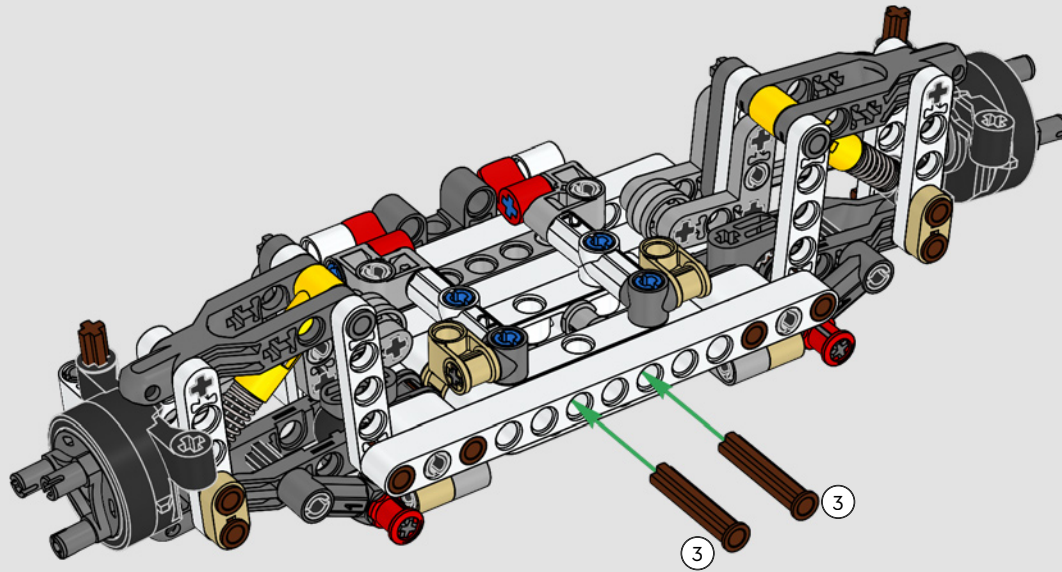






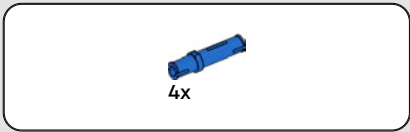


72

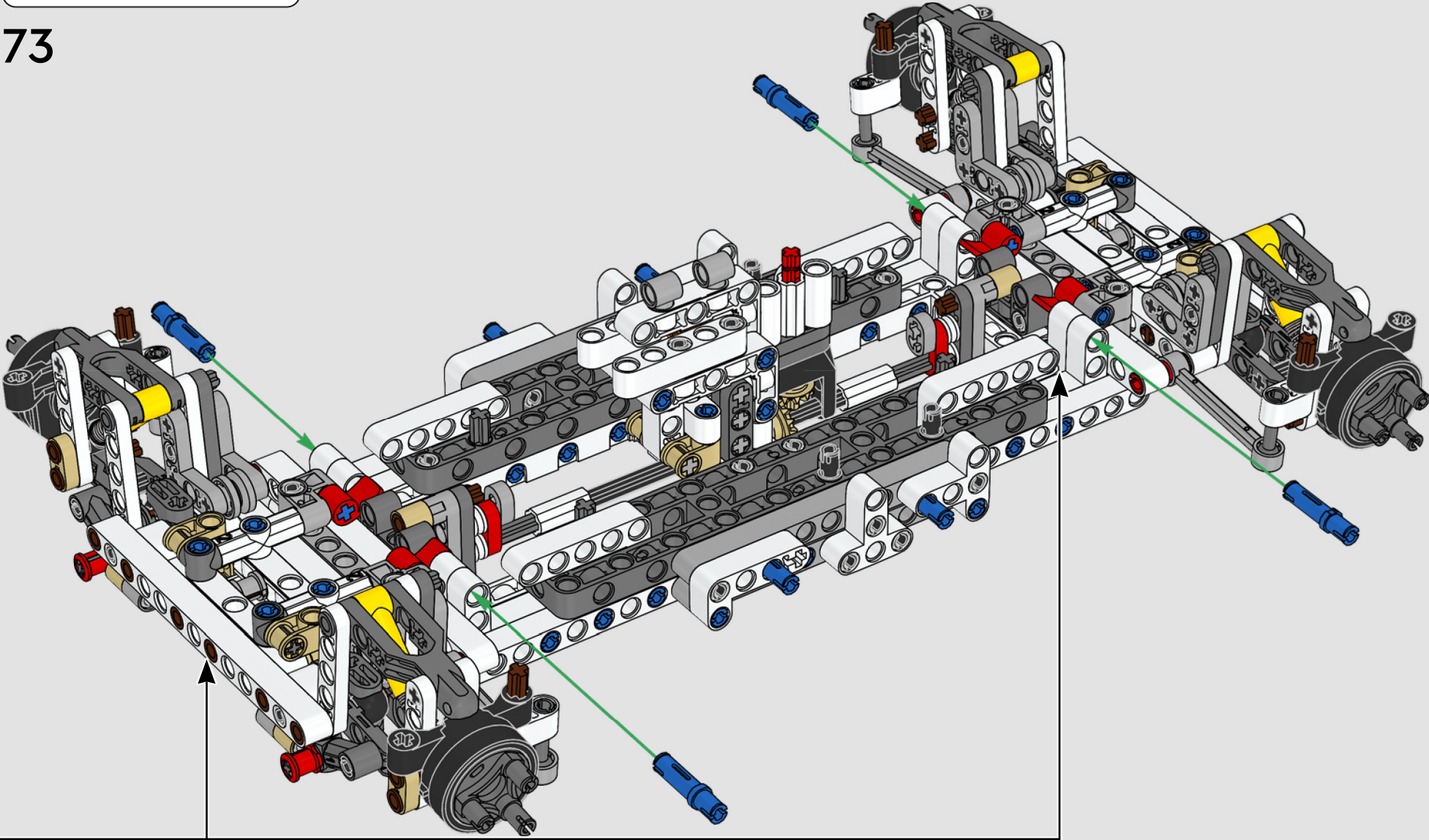


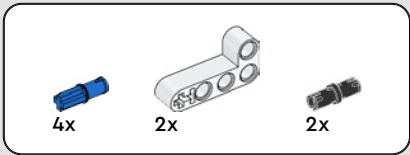
2x



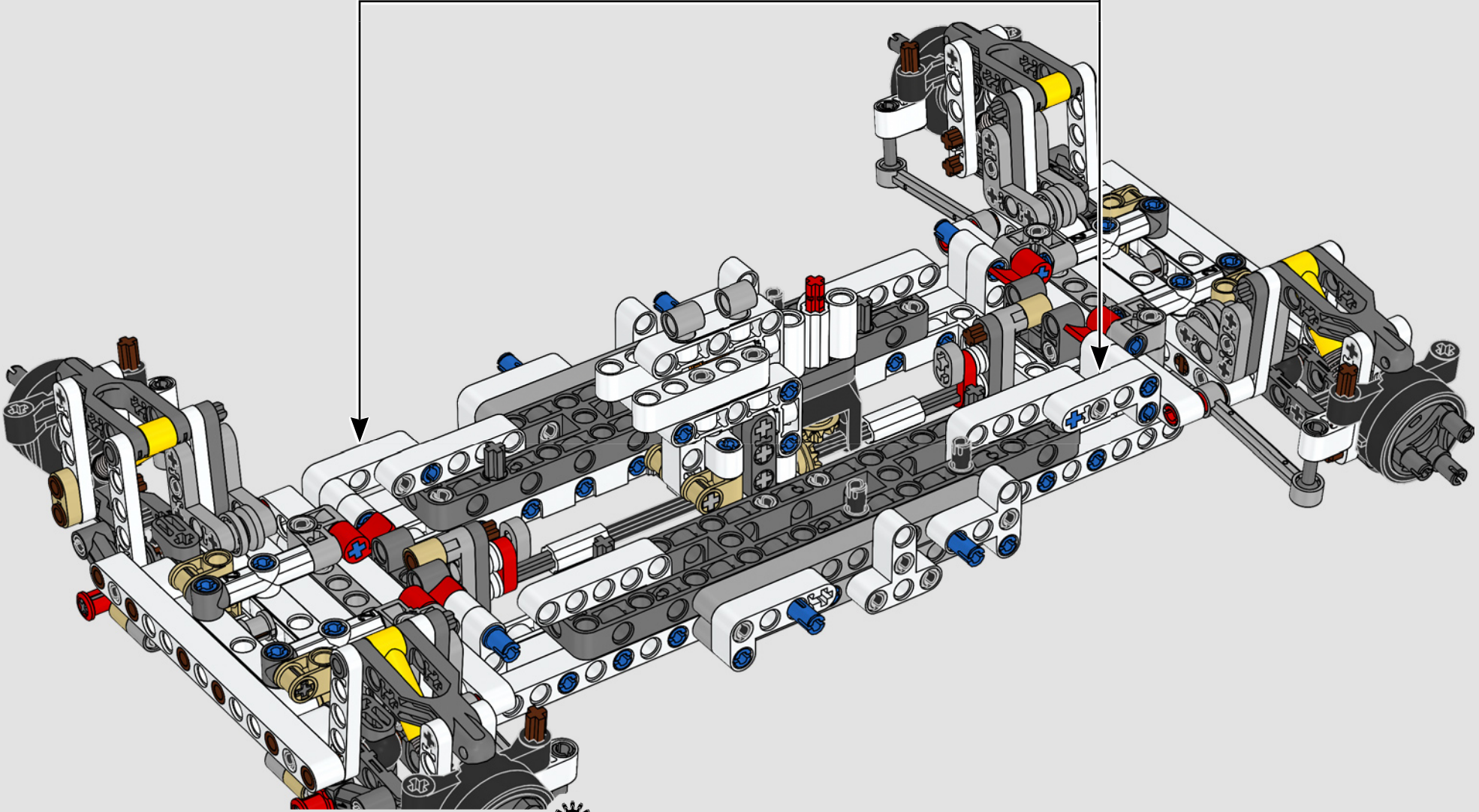
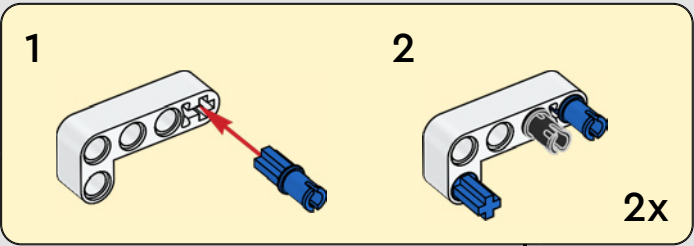


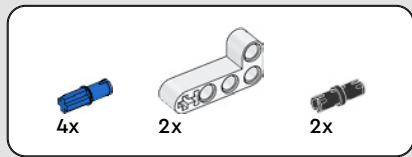
73



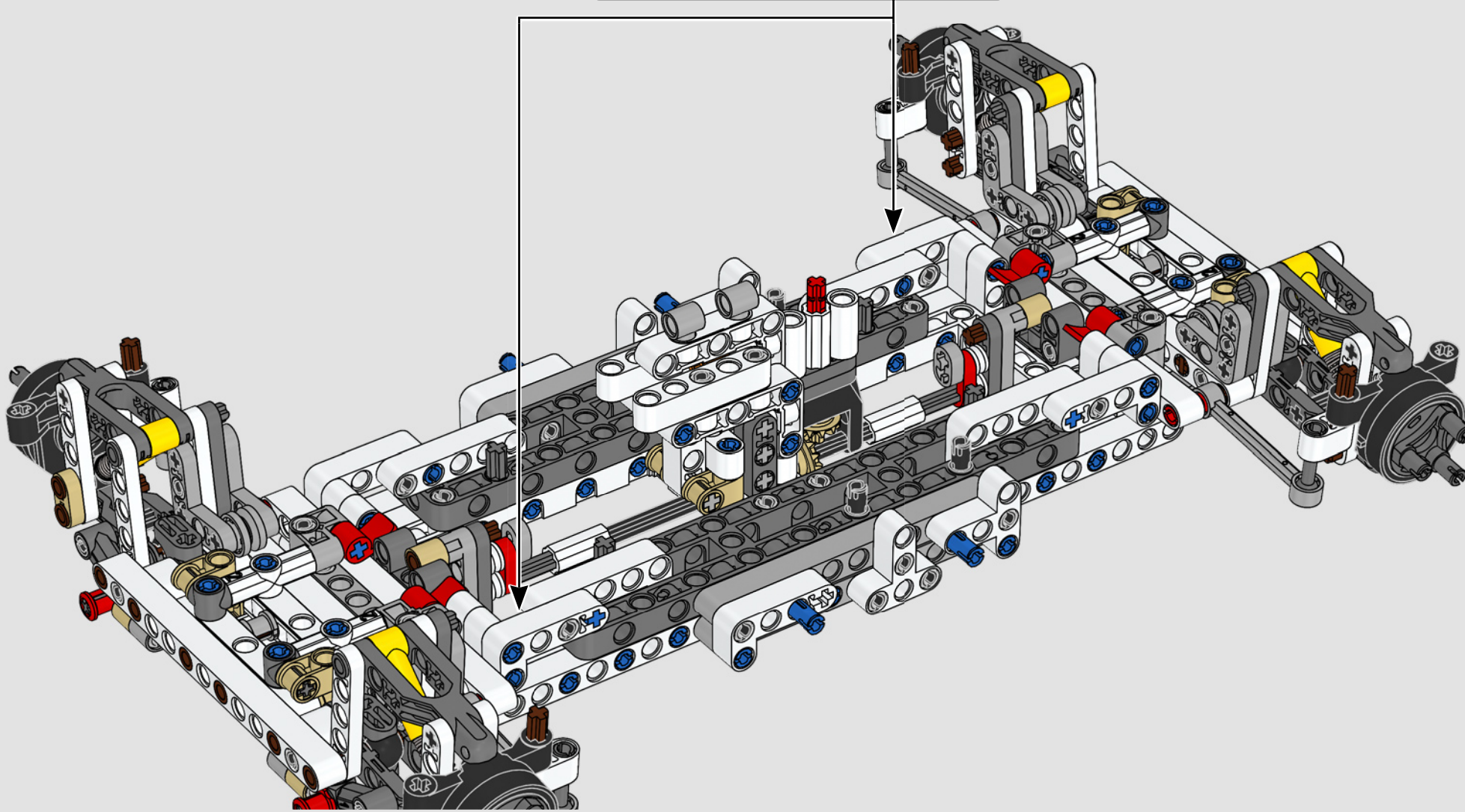
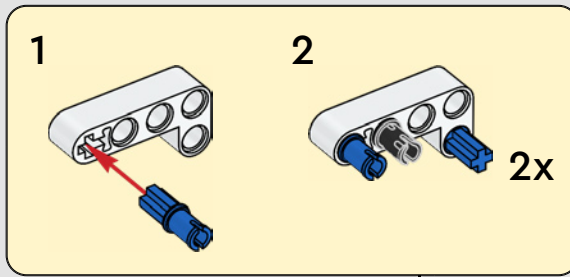


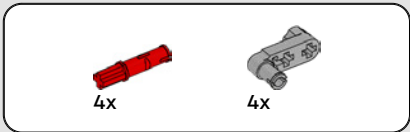
74



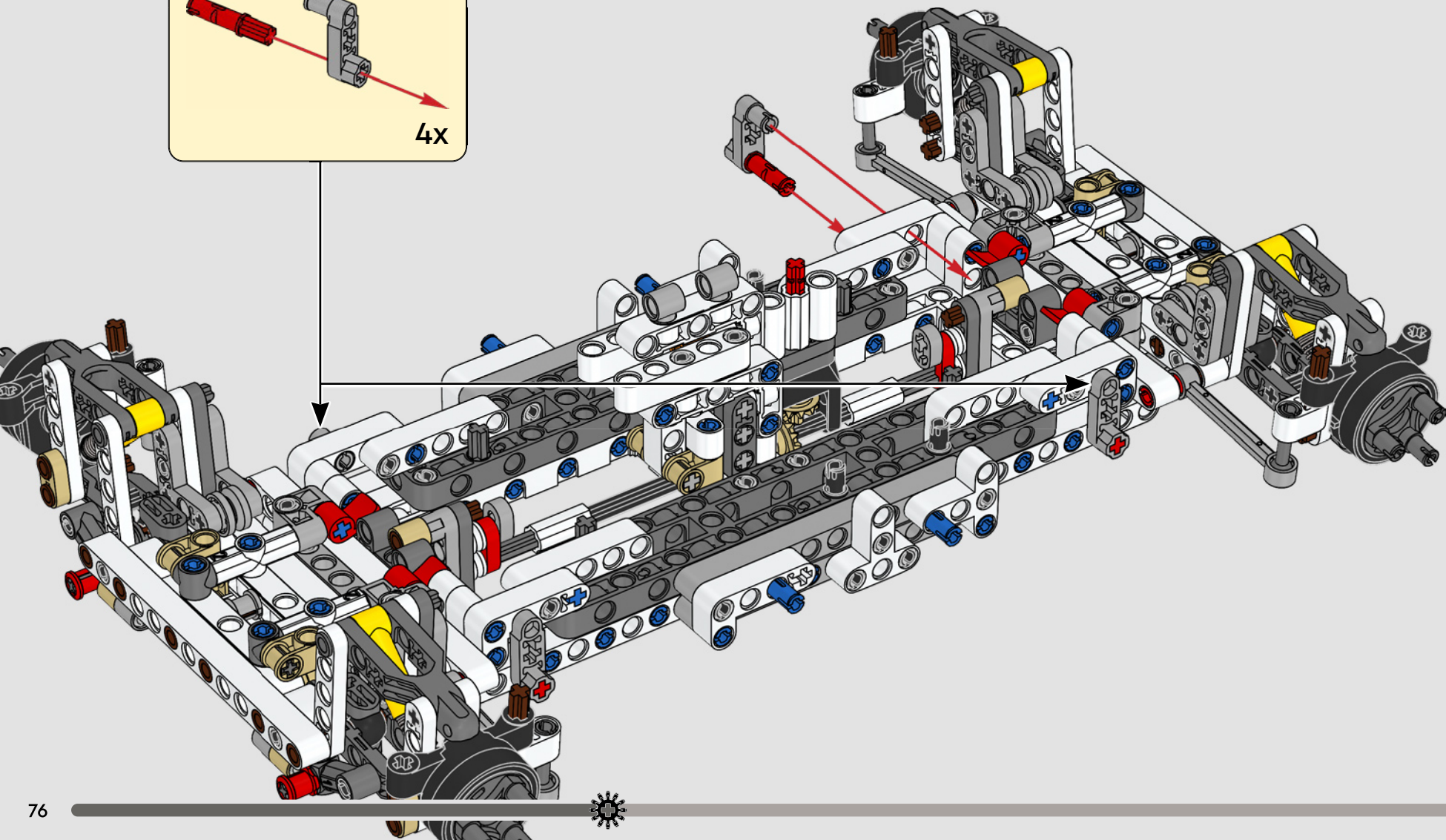
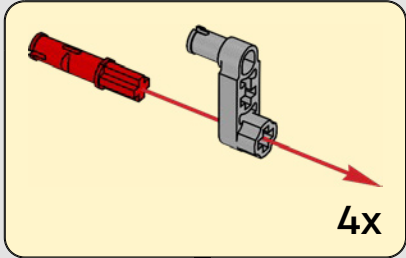


75

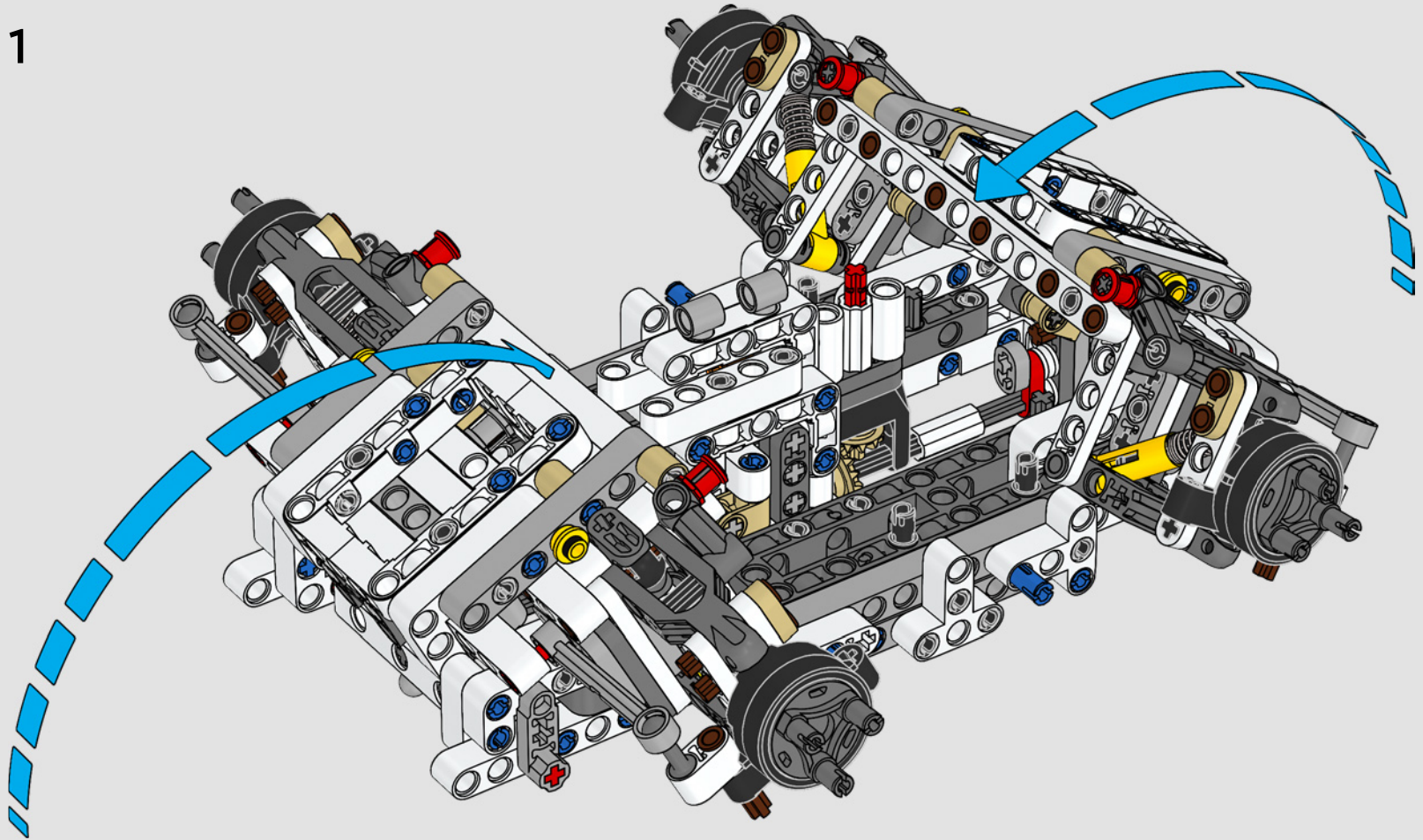




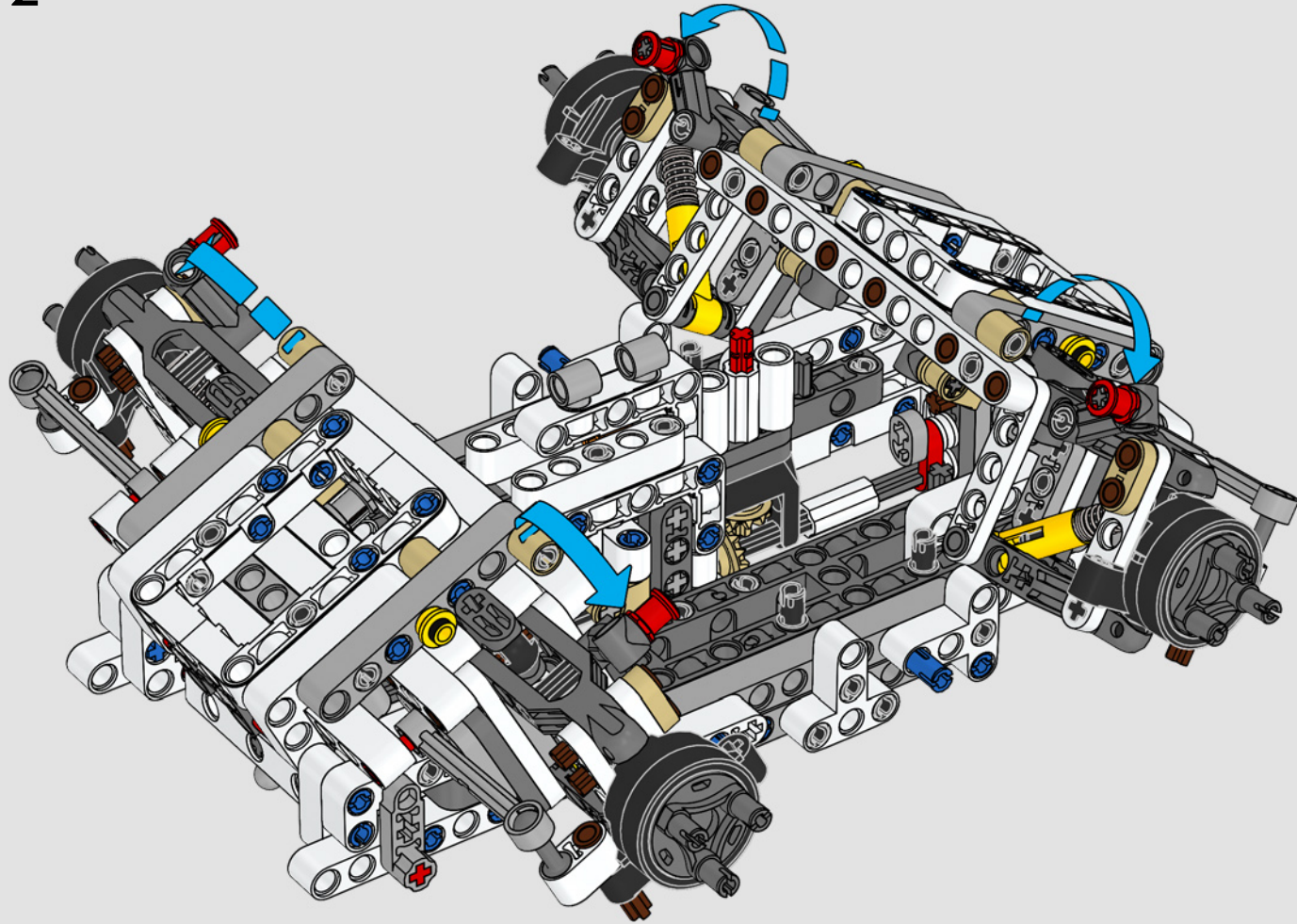
76



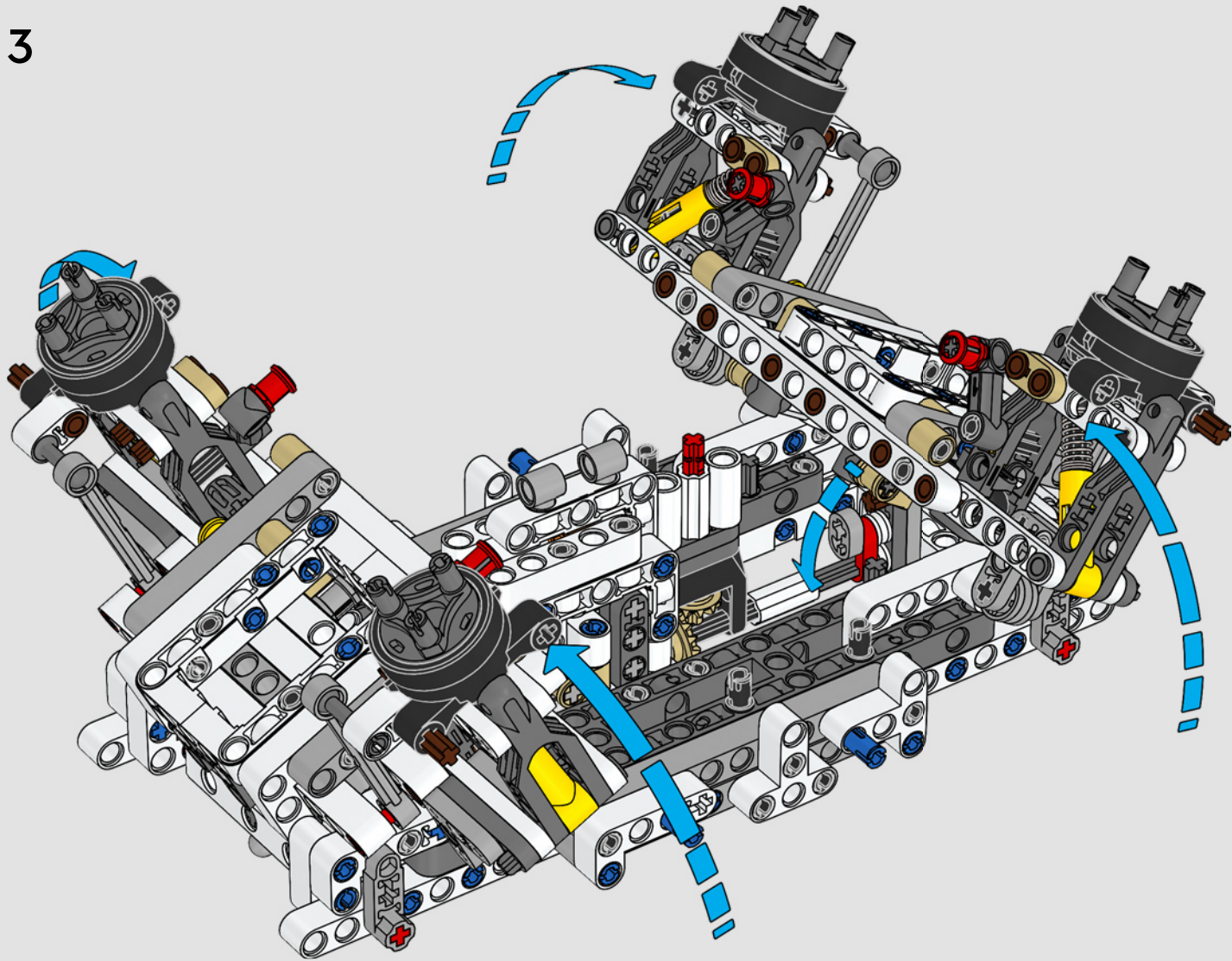
1



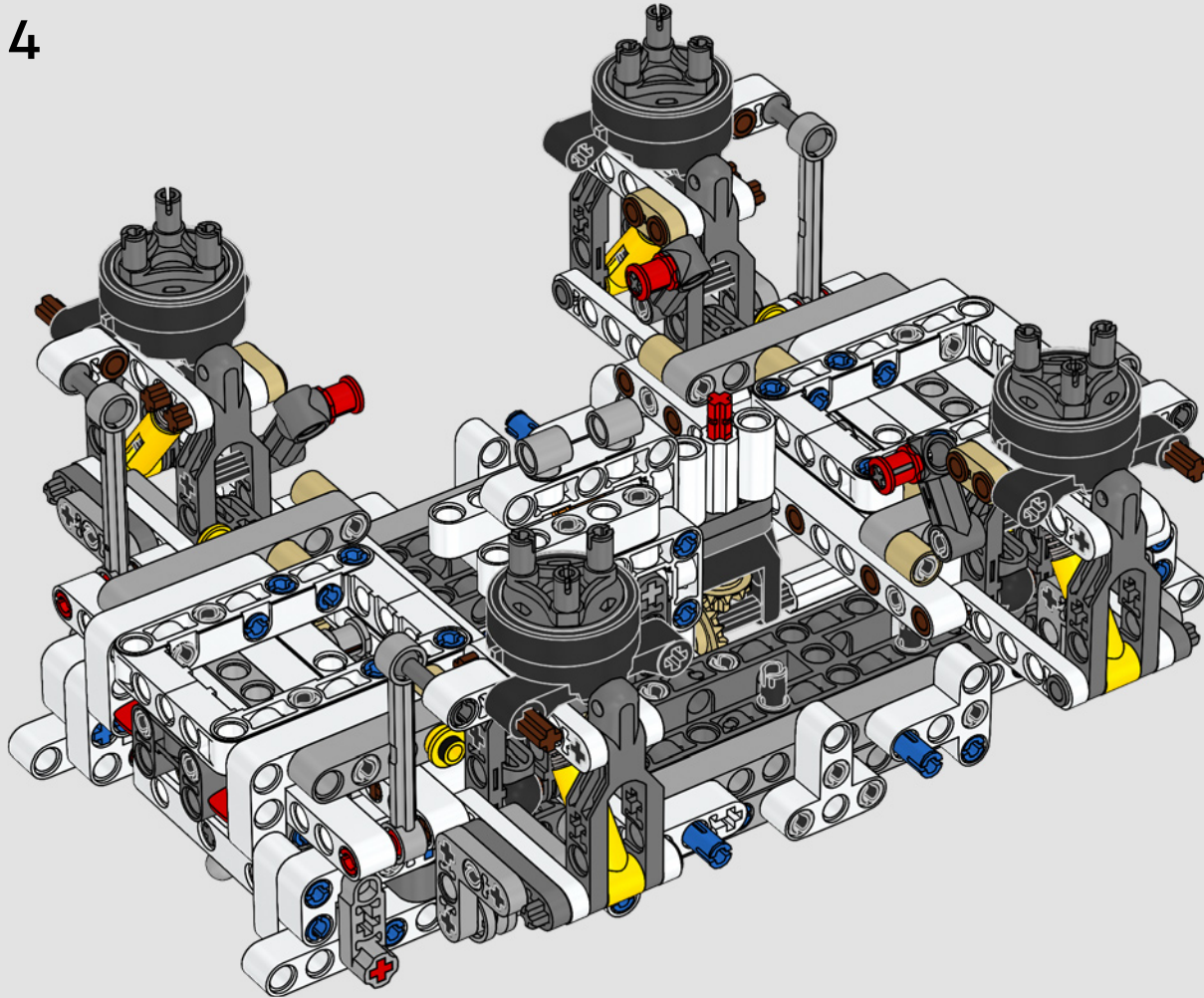
2



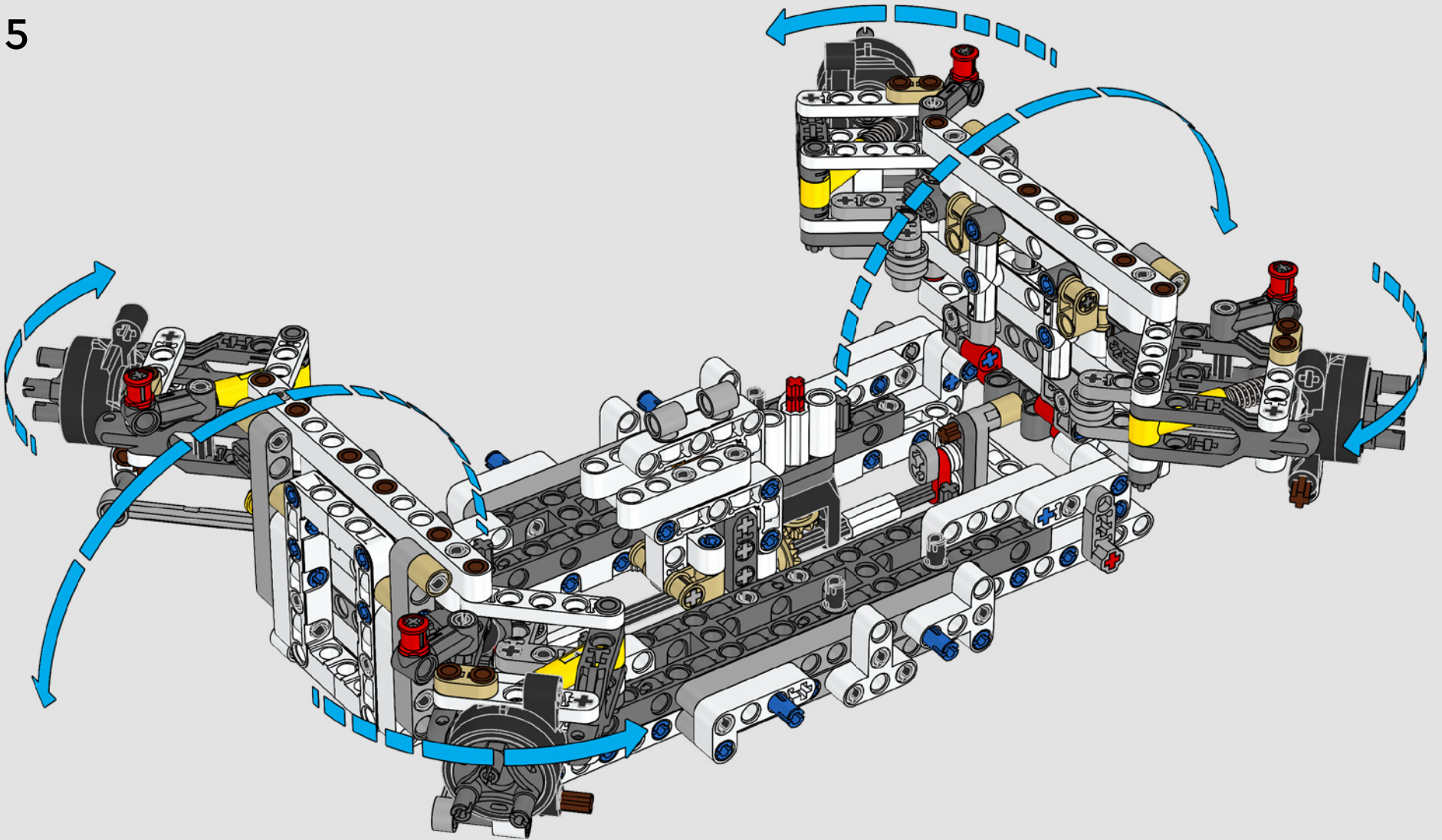
3



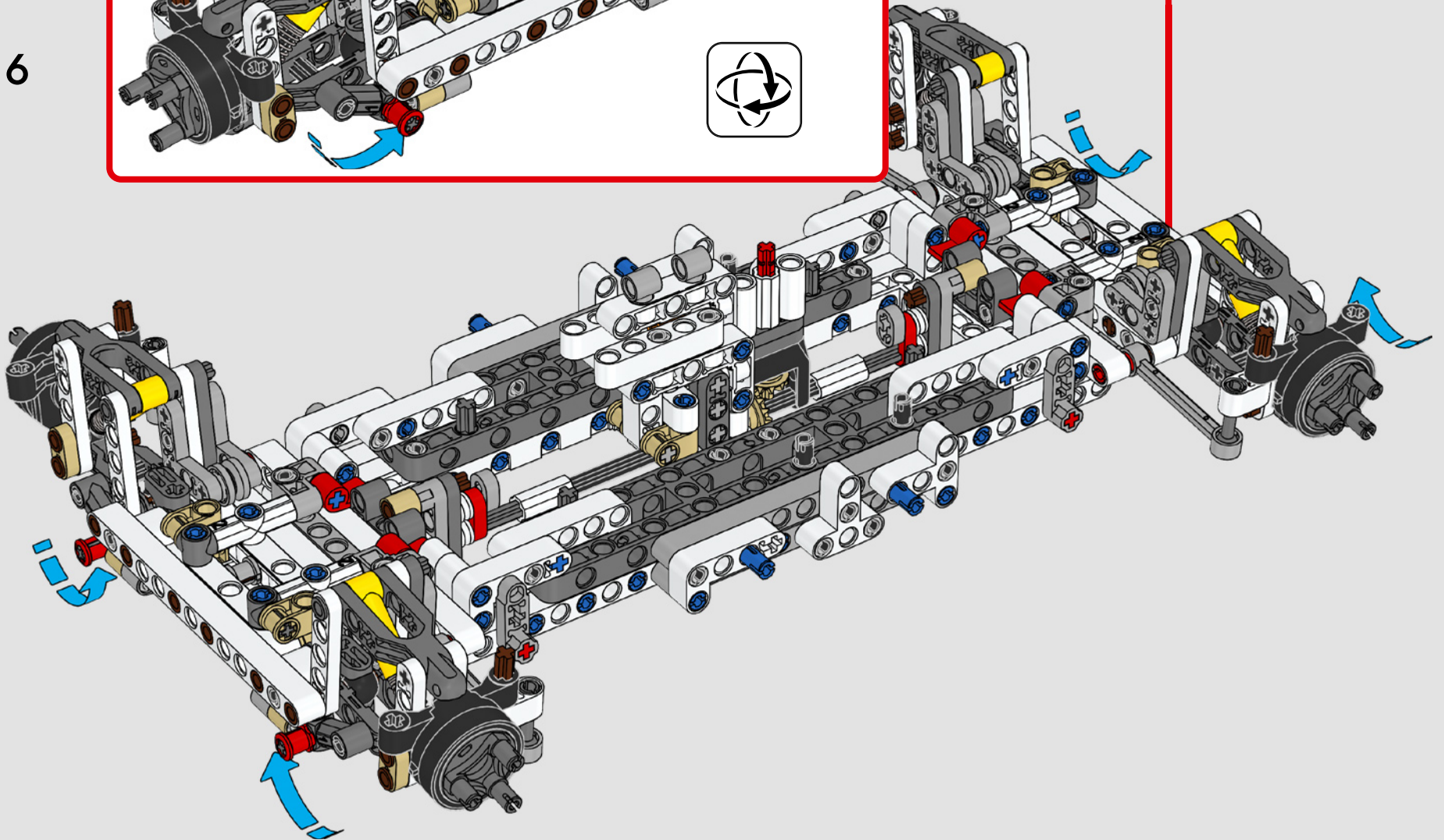
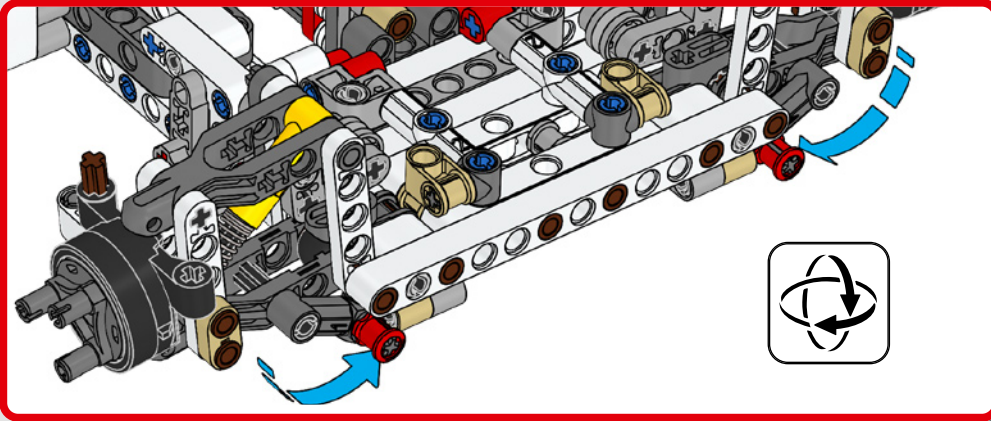
4

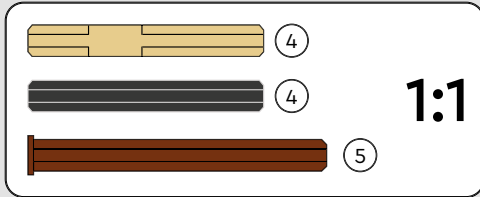
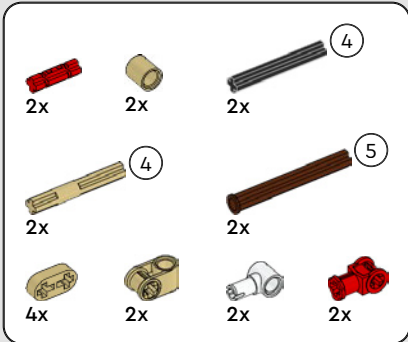


5

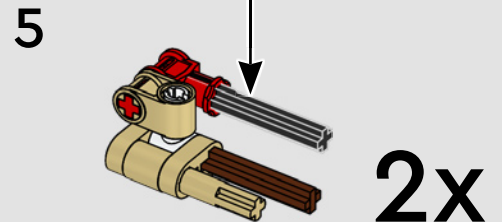
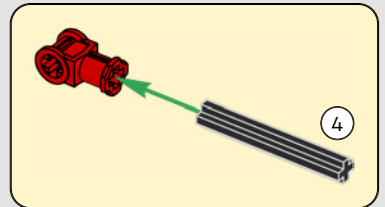
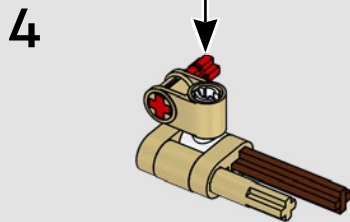
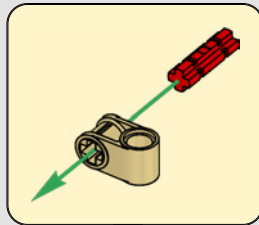
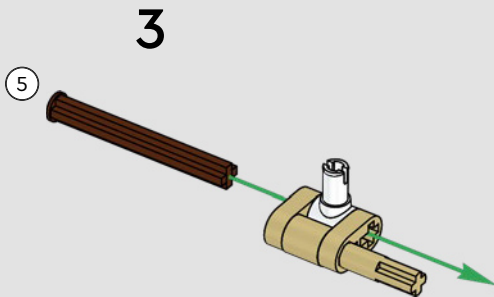
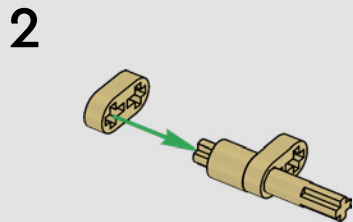
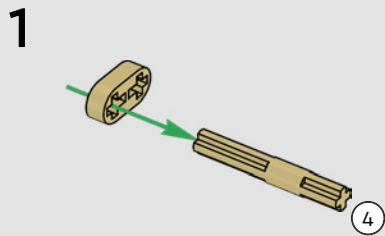


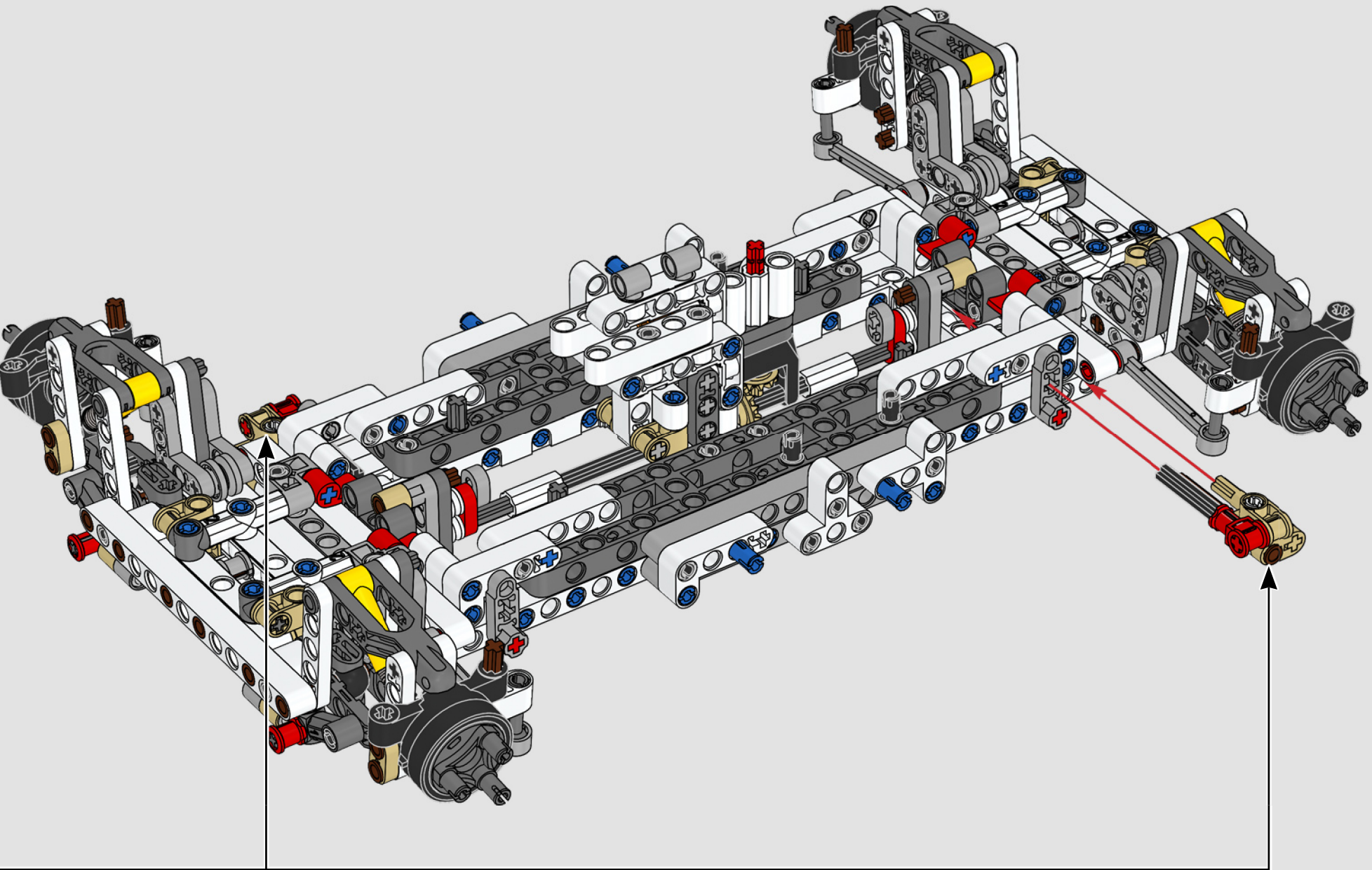
6

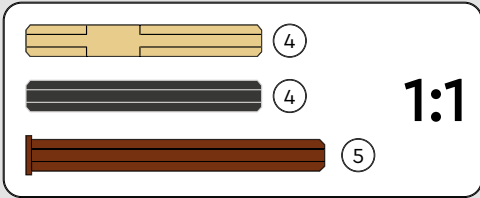
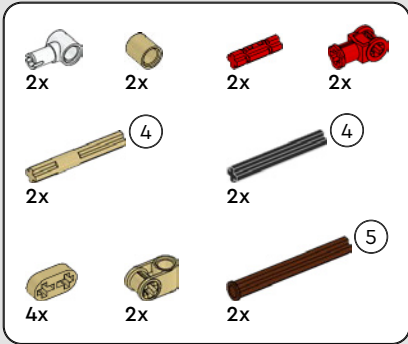




77

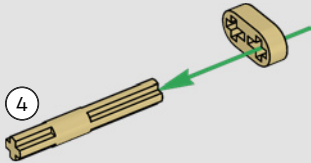




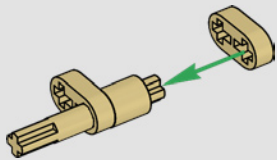


78

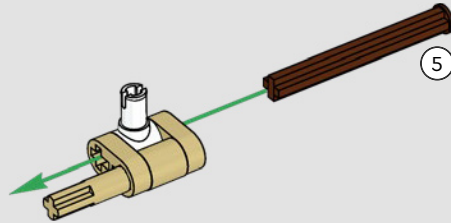
1



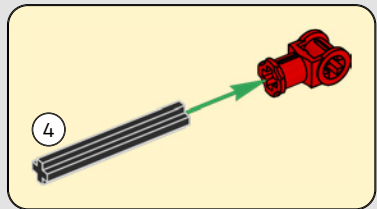
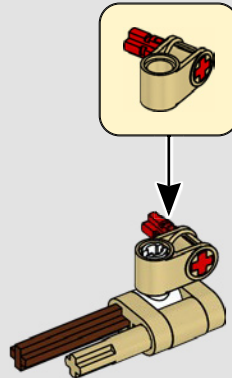
2



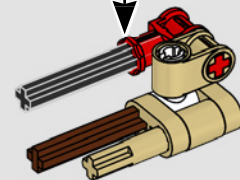
3



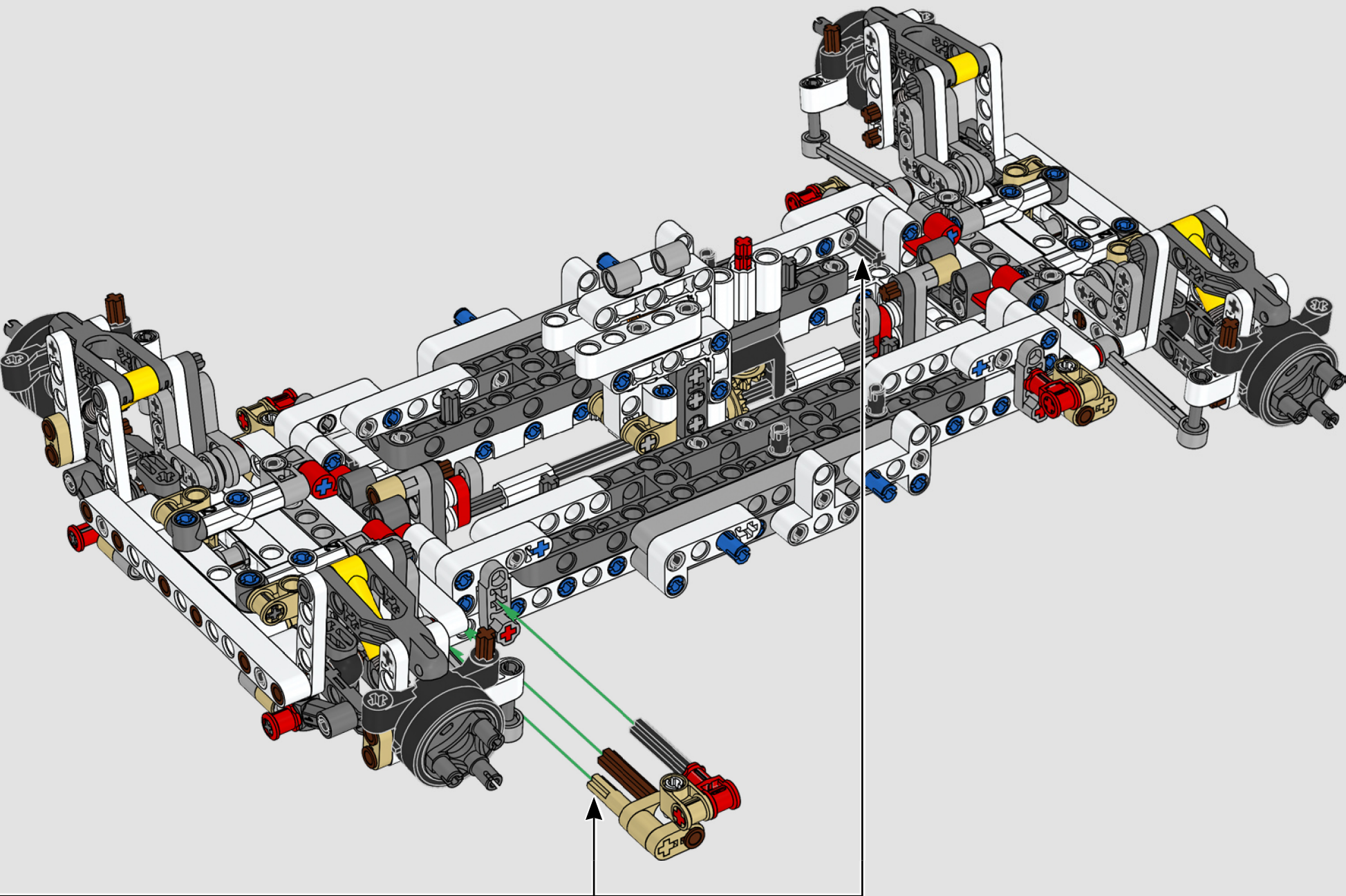
4

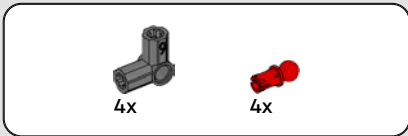


5

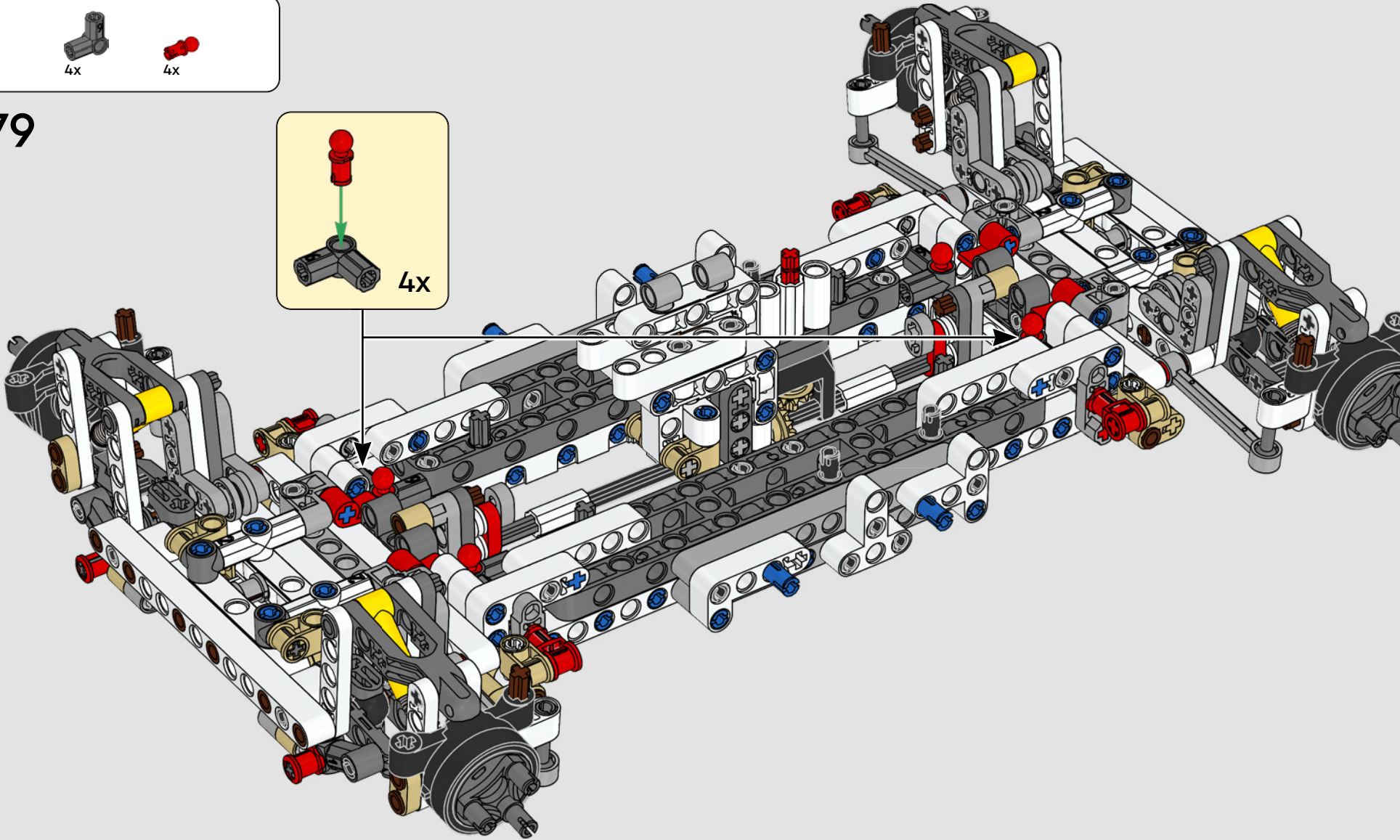
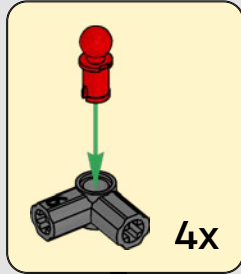


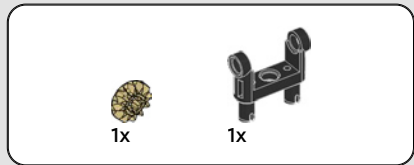
2x



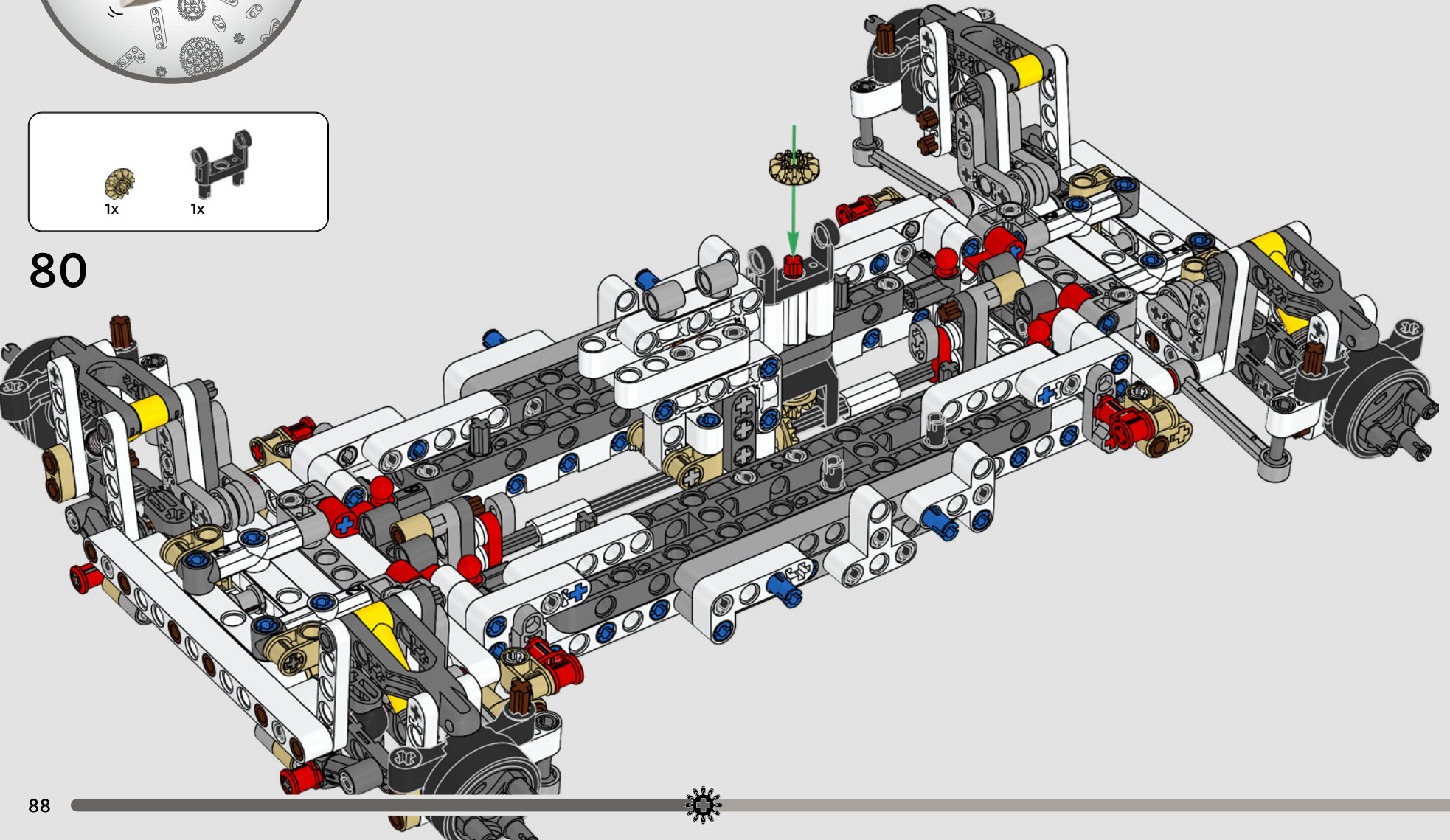


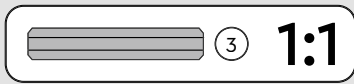
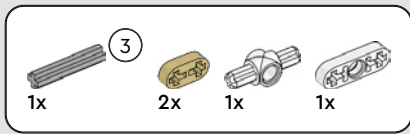
79



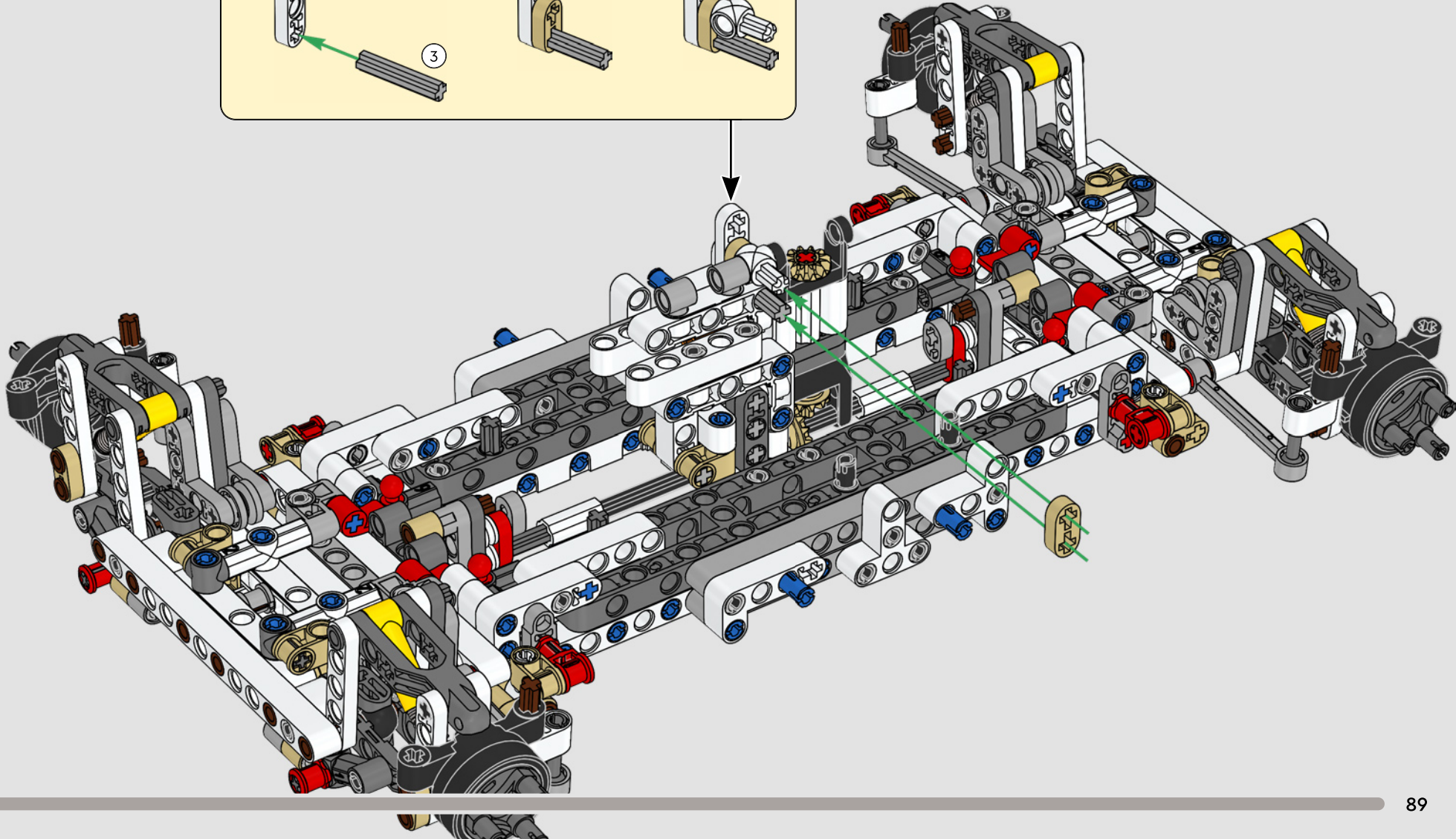
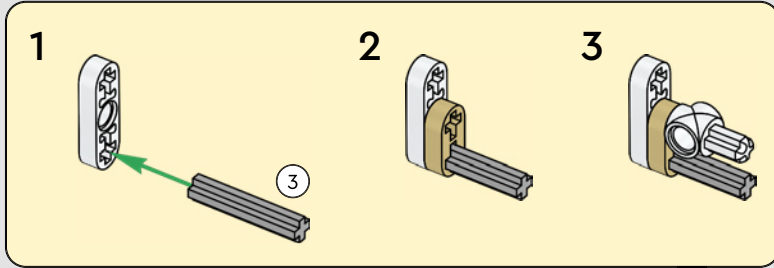


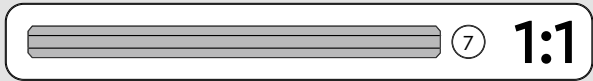
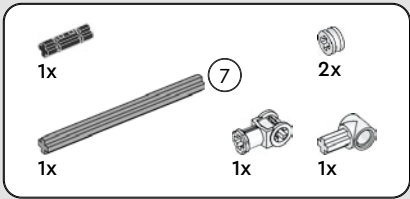
80



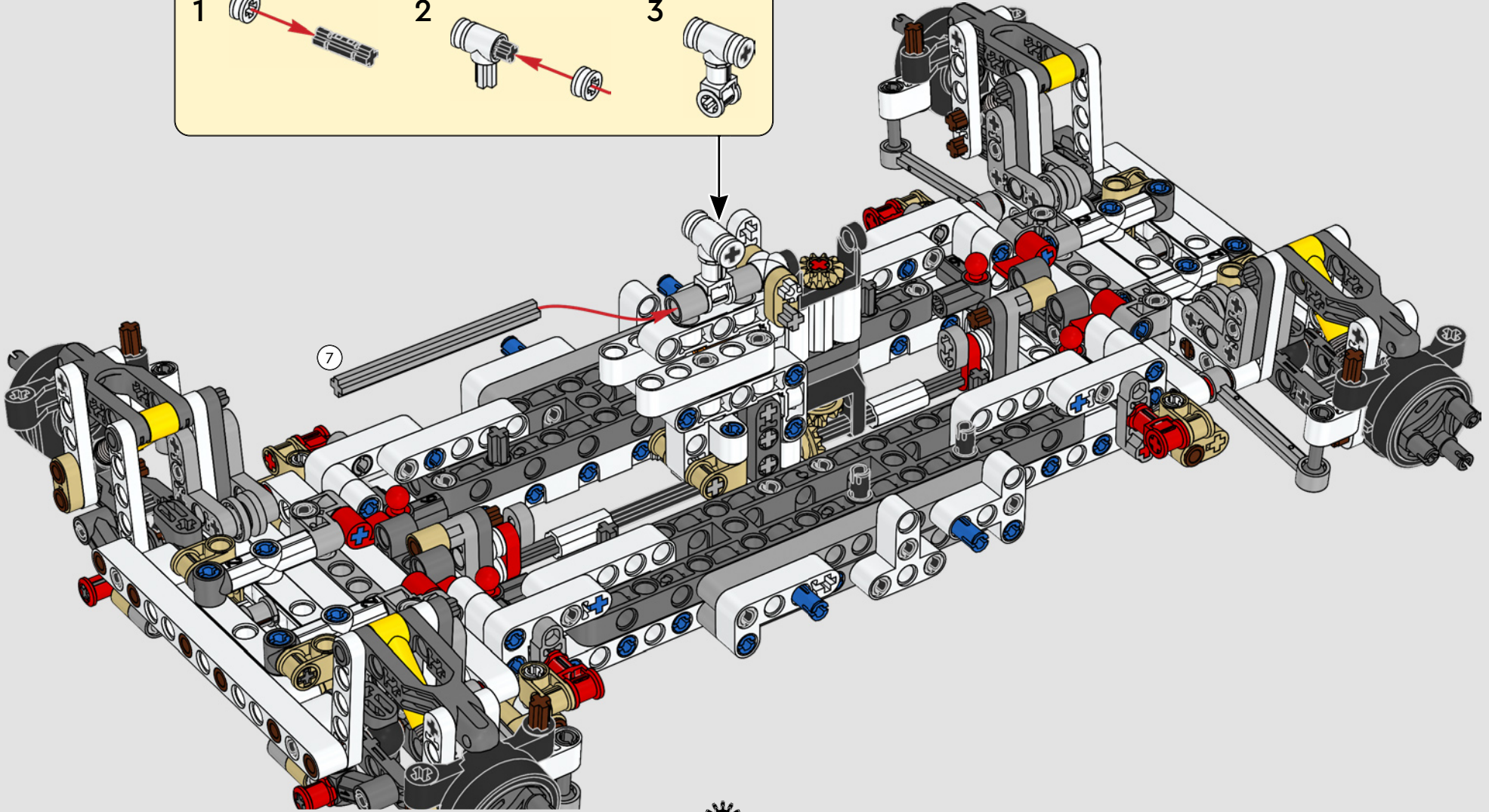
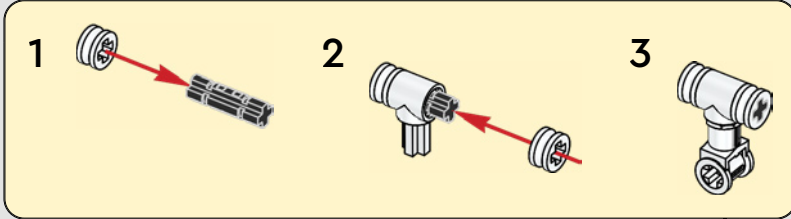


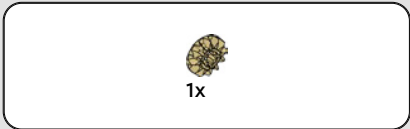
81



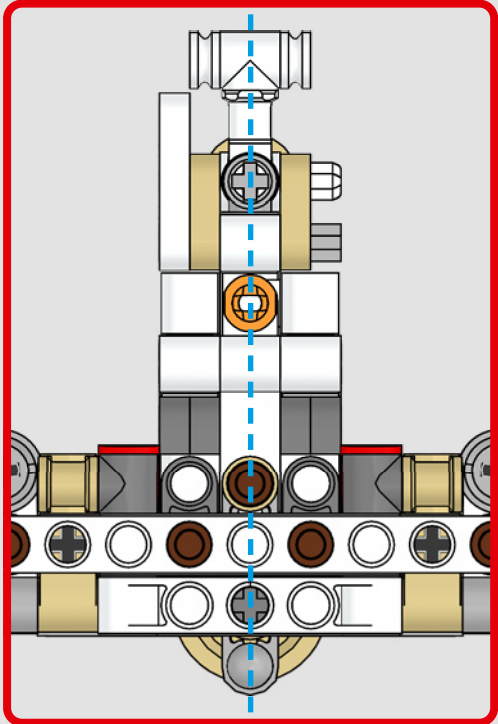
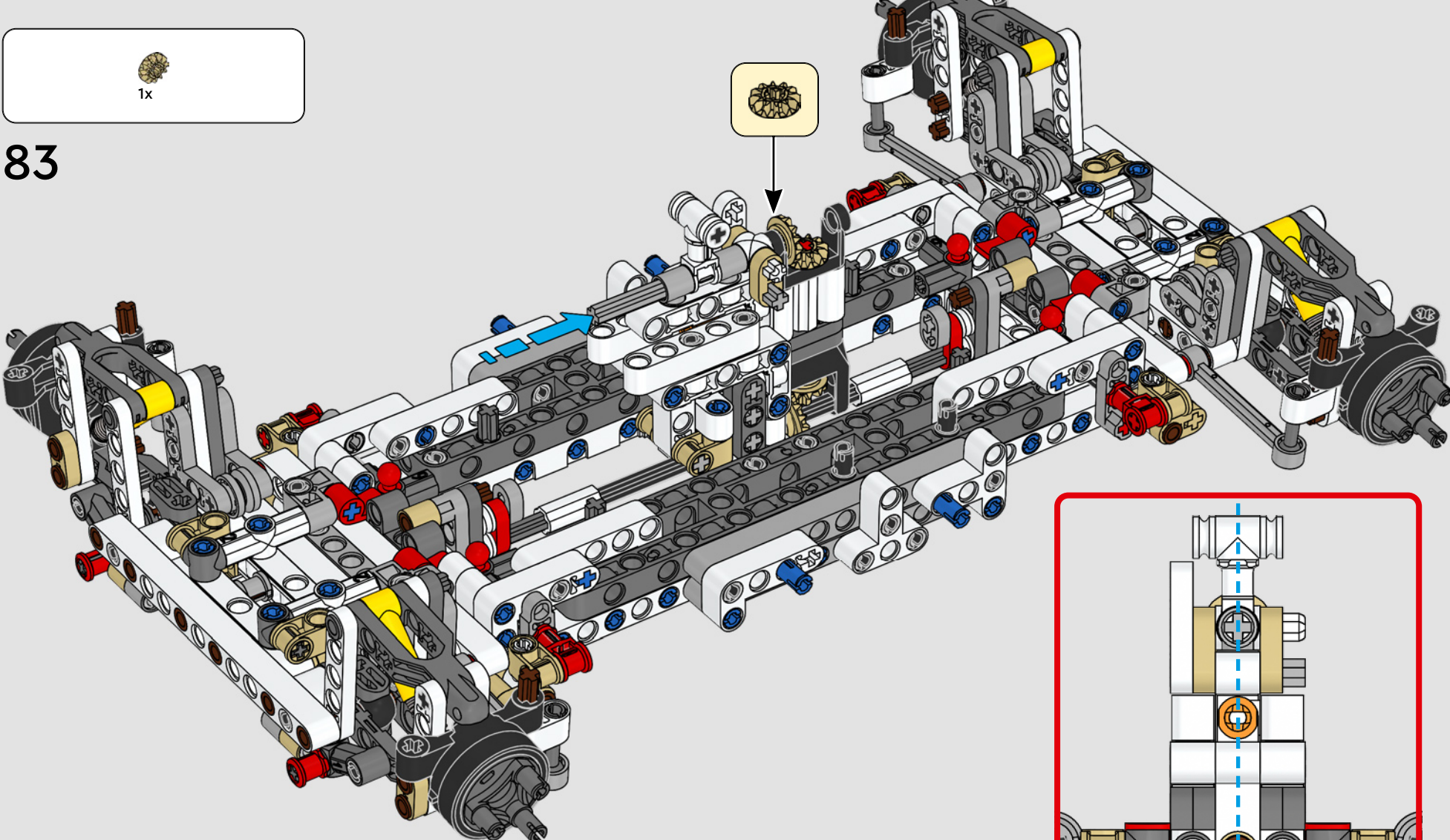


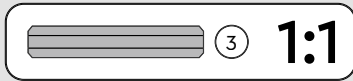
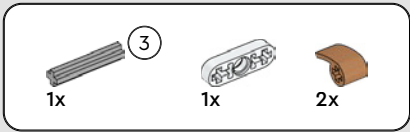
82



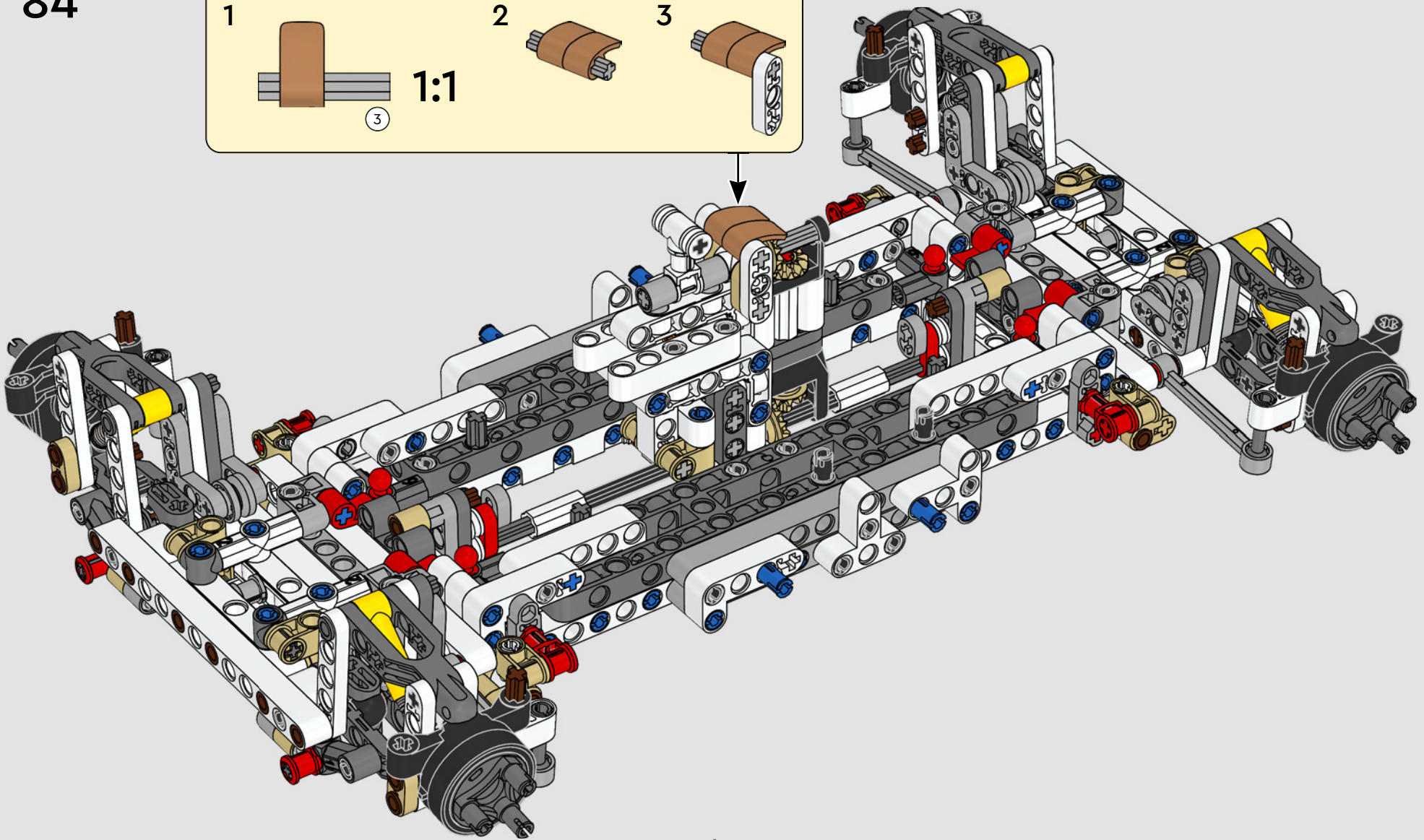
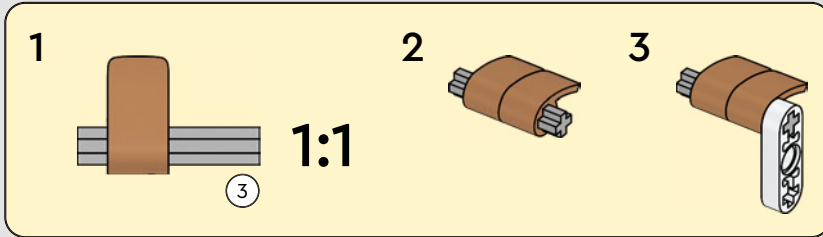


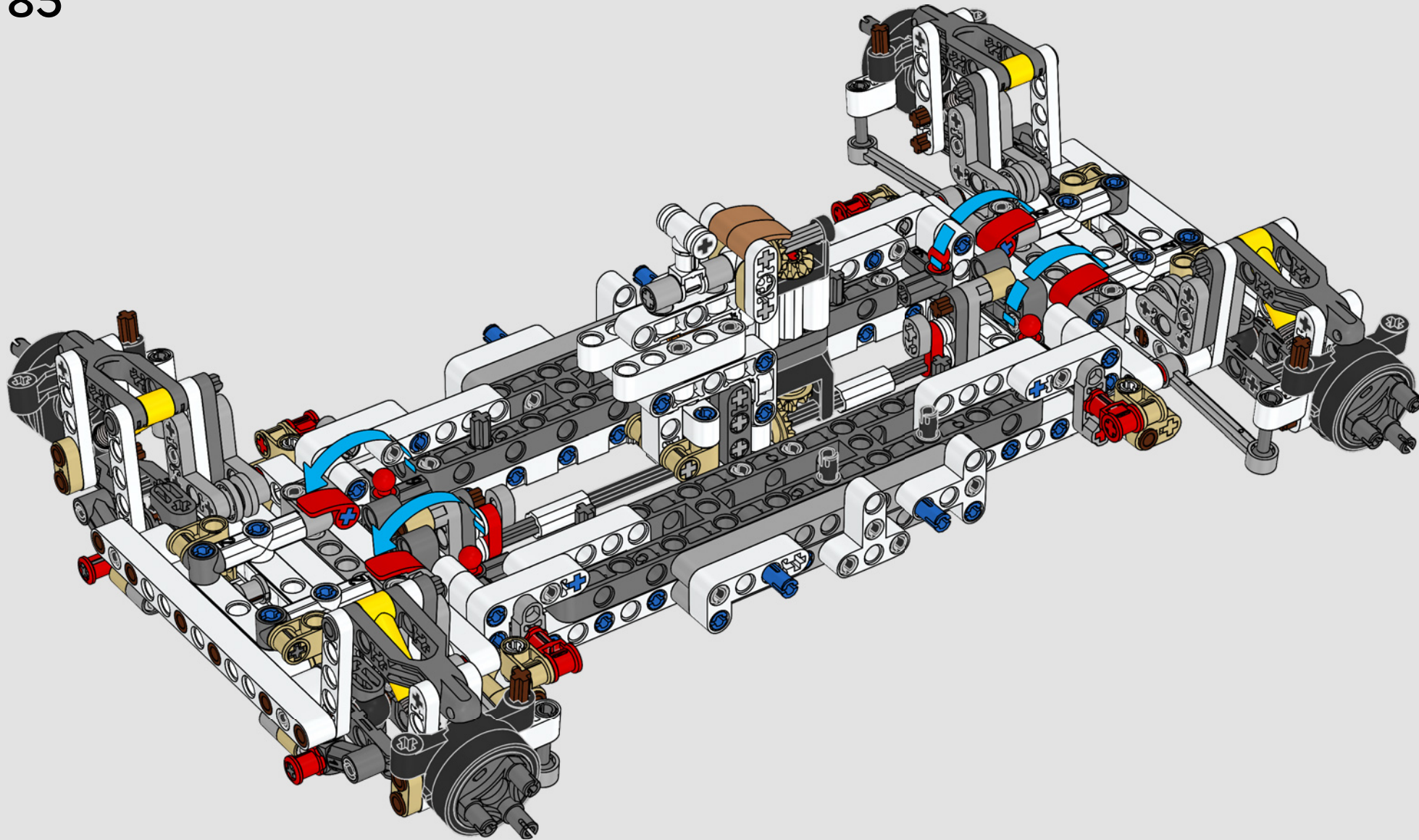
83

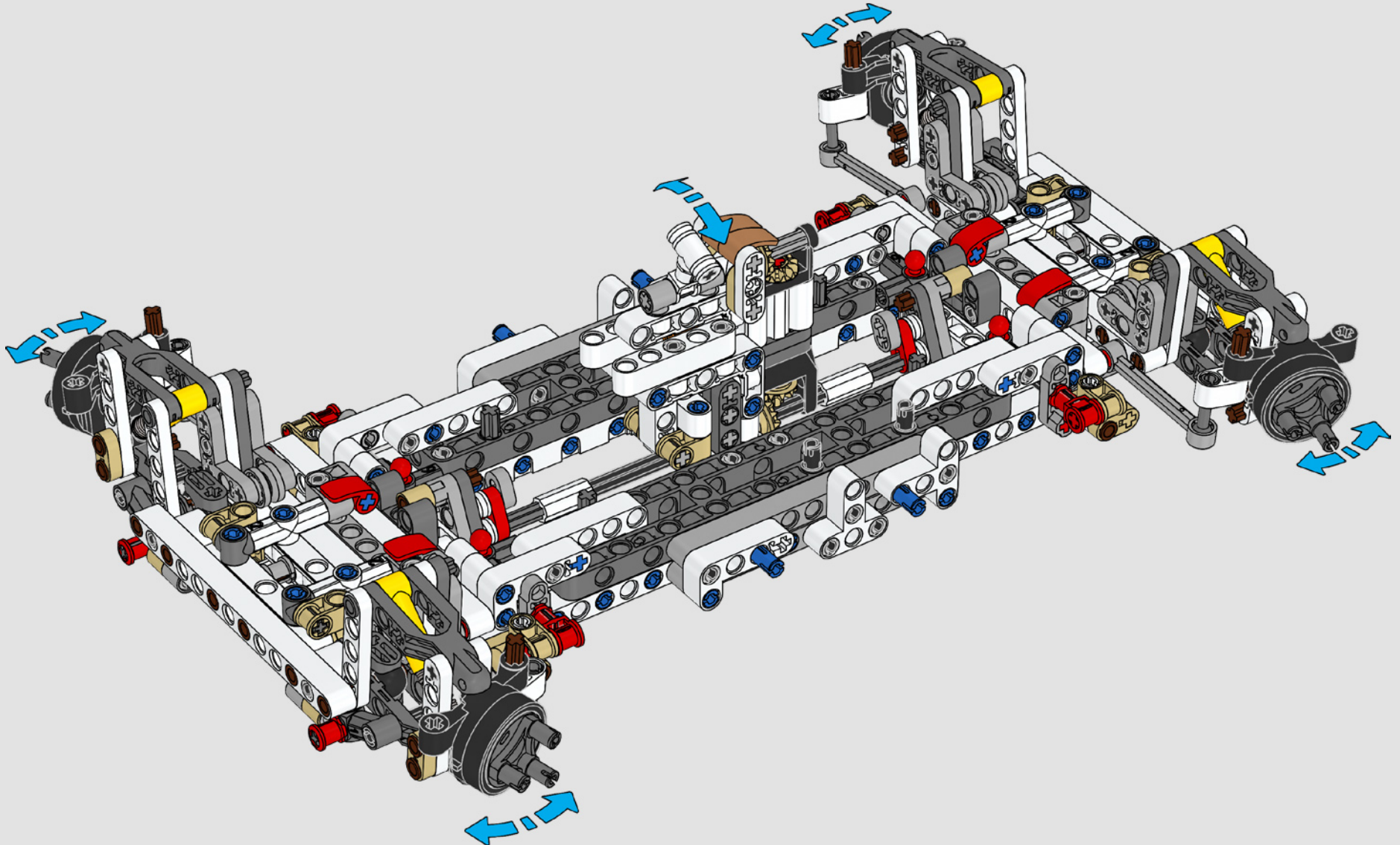




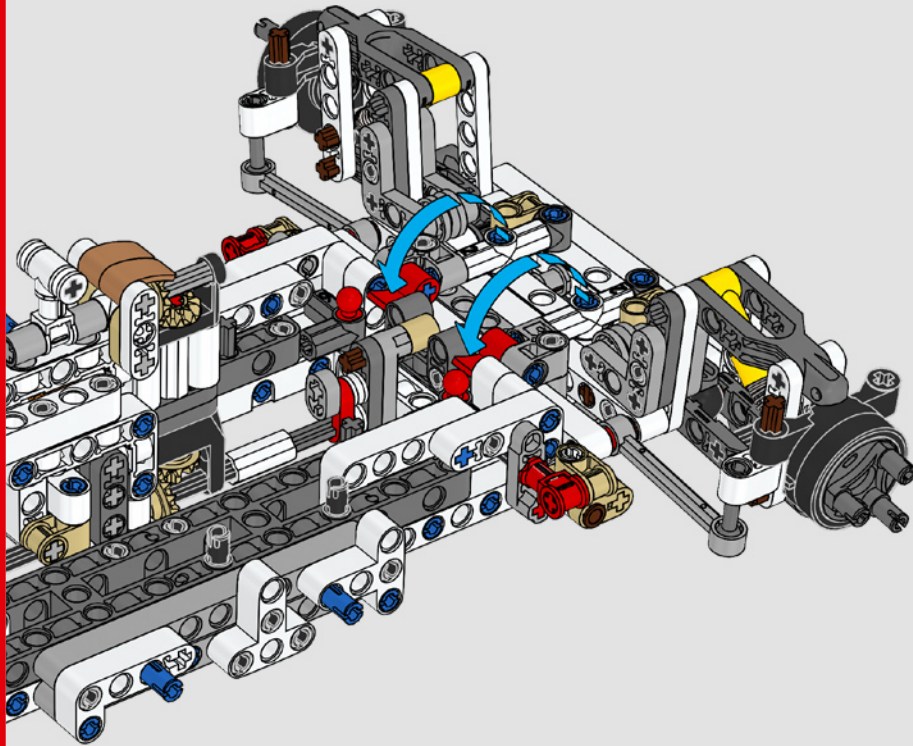
84



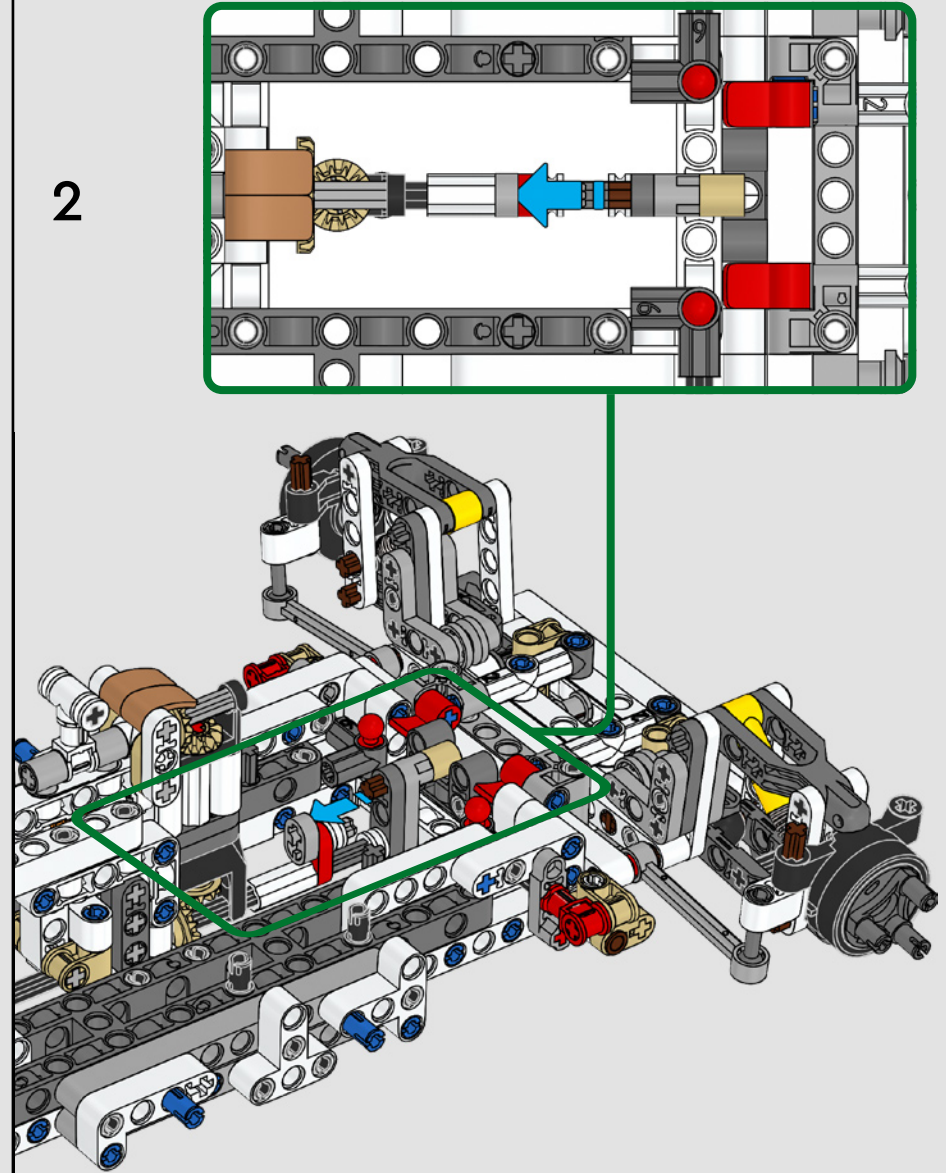




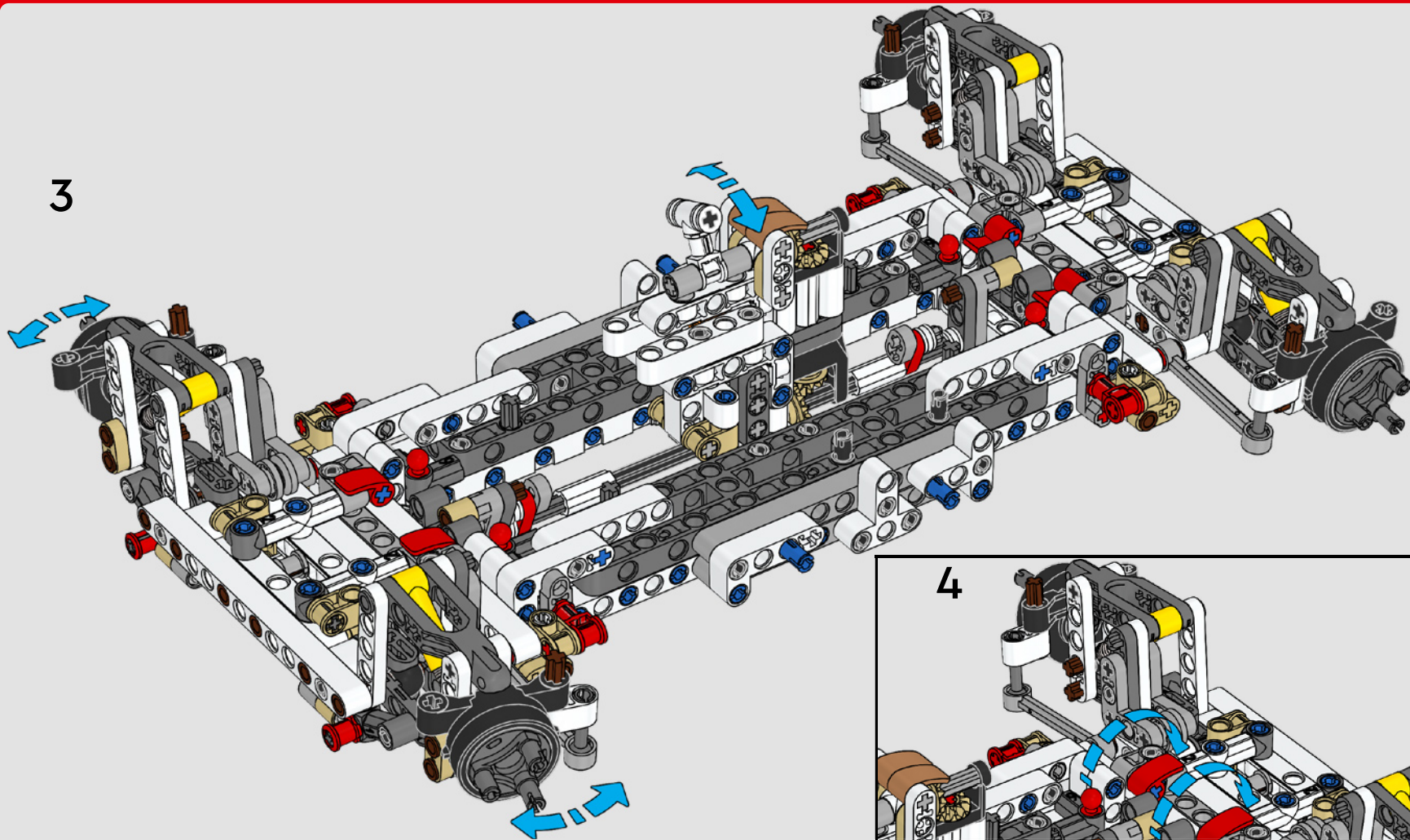
1



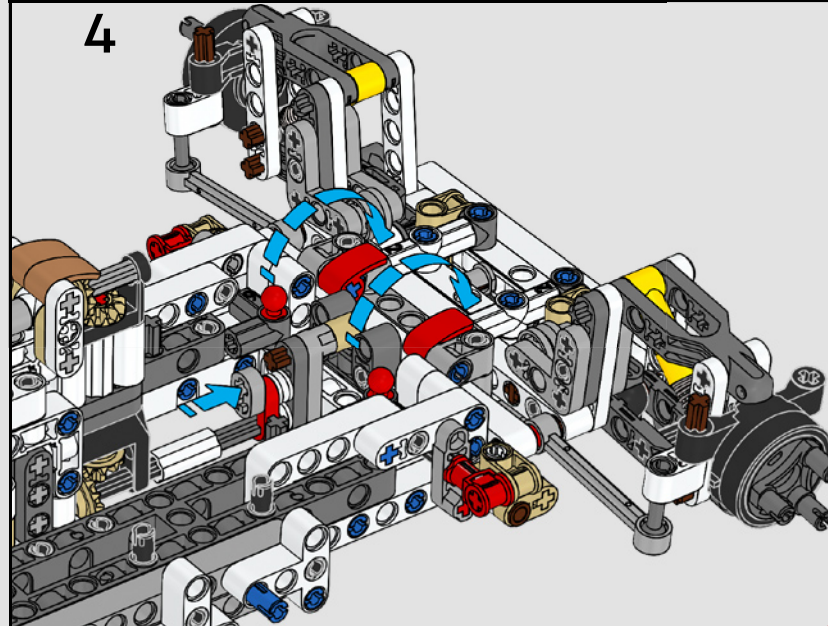
2

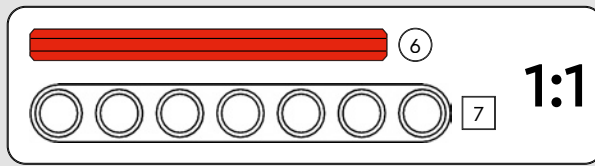
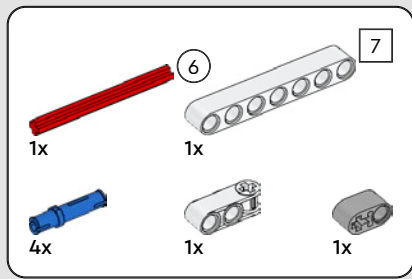


3

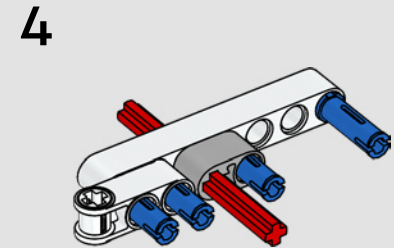
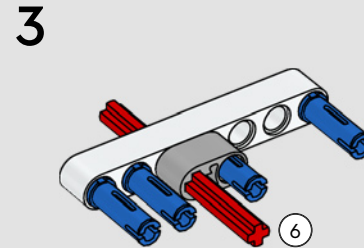
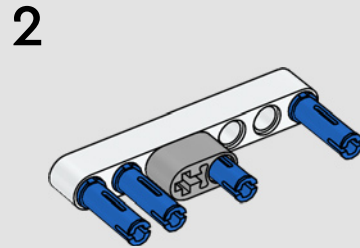
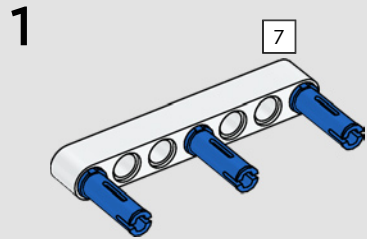


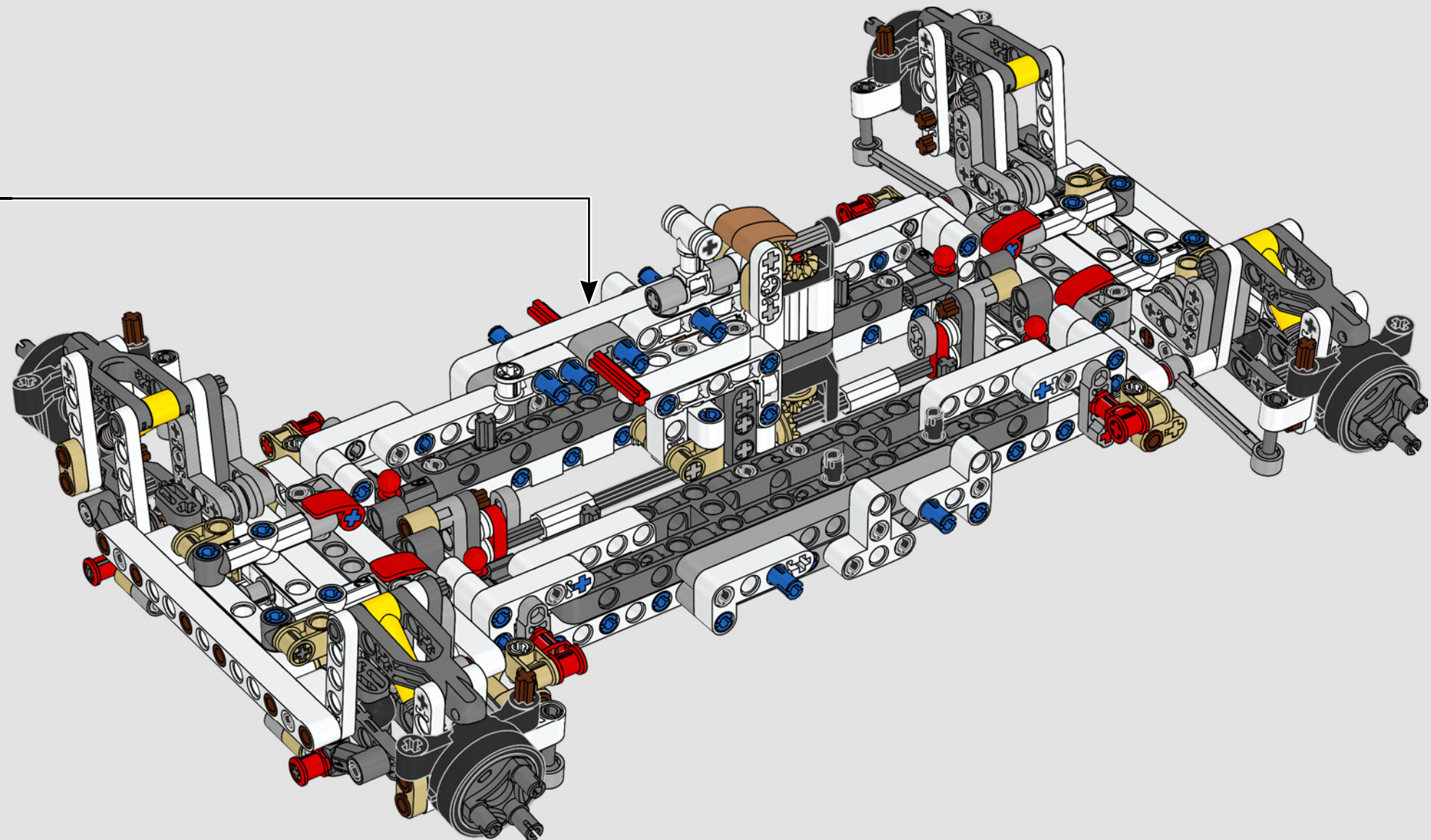
4

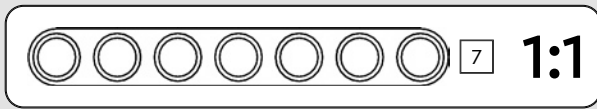
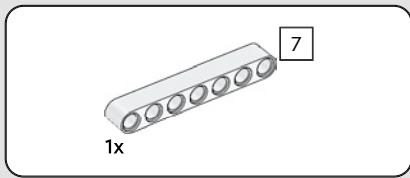




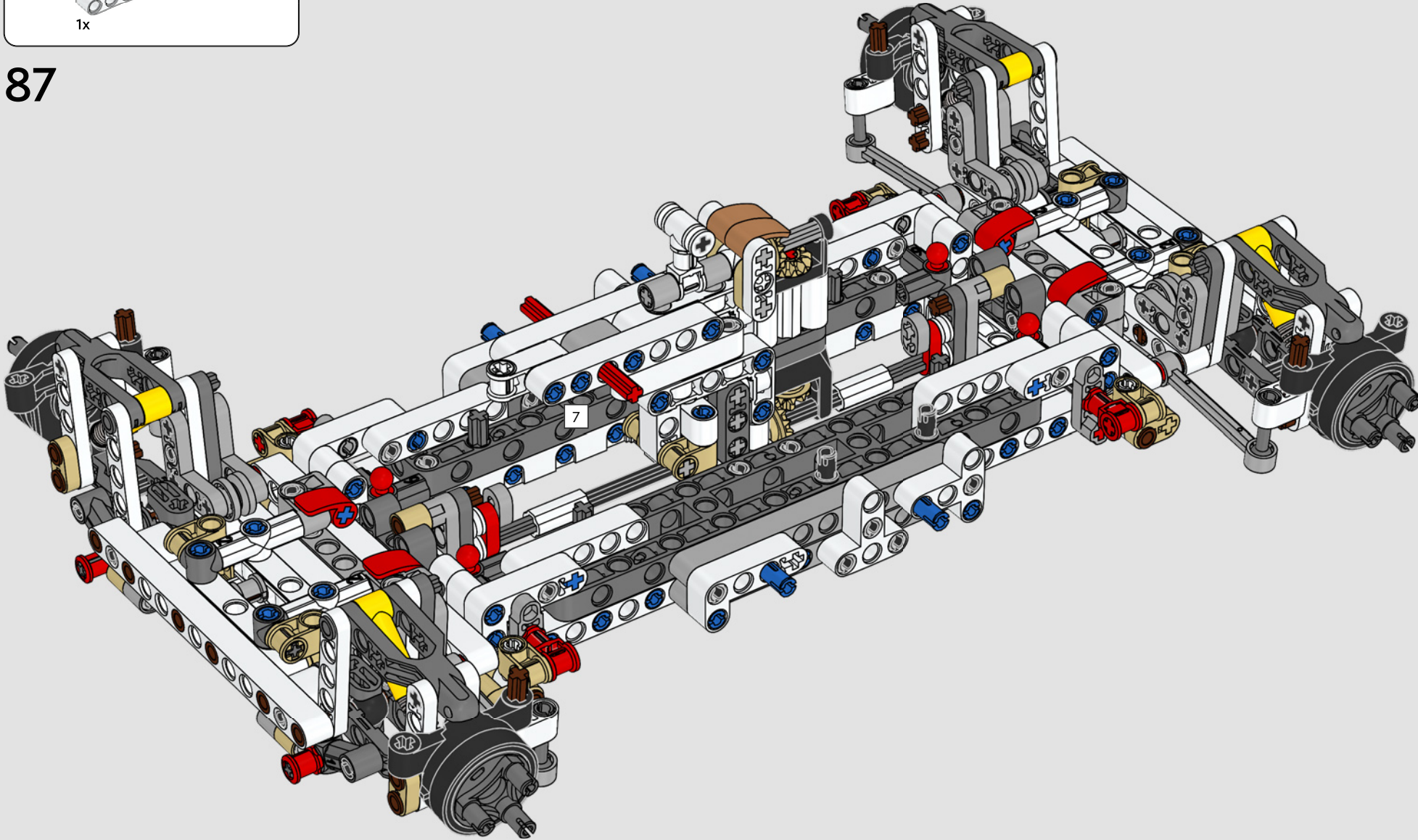
86







87



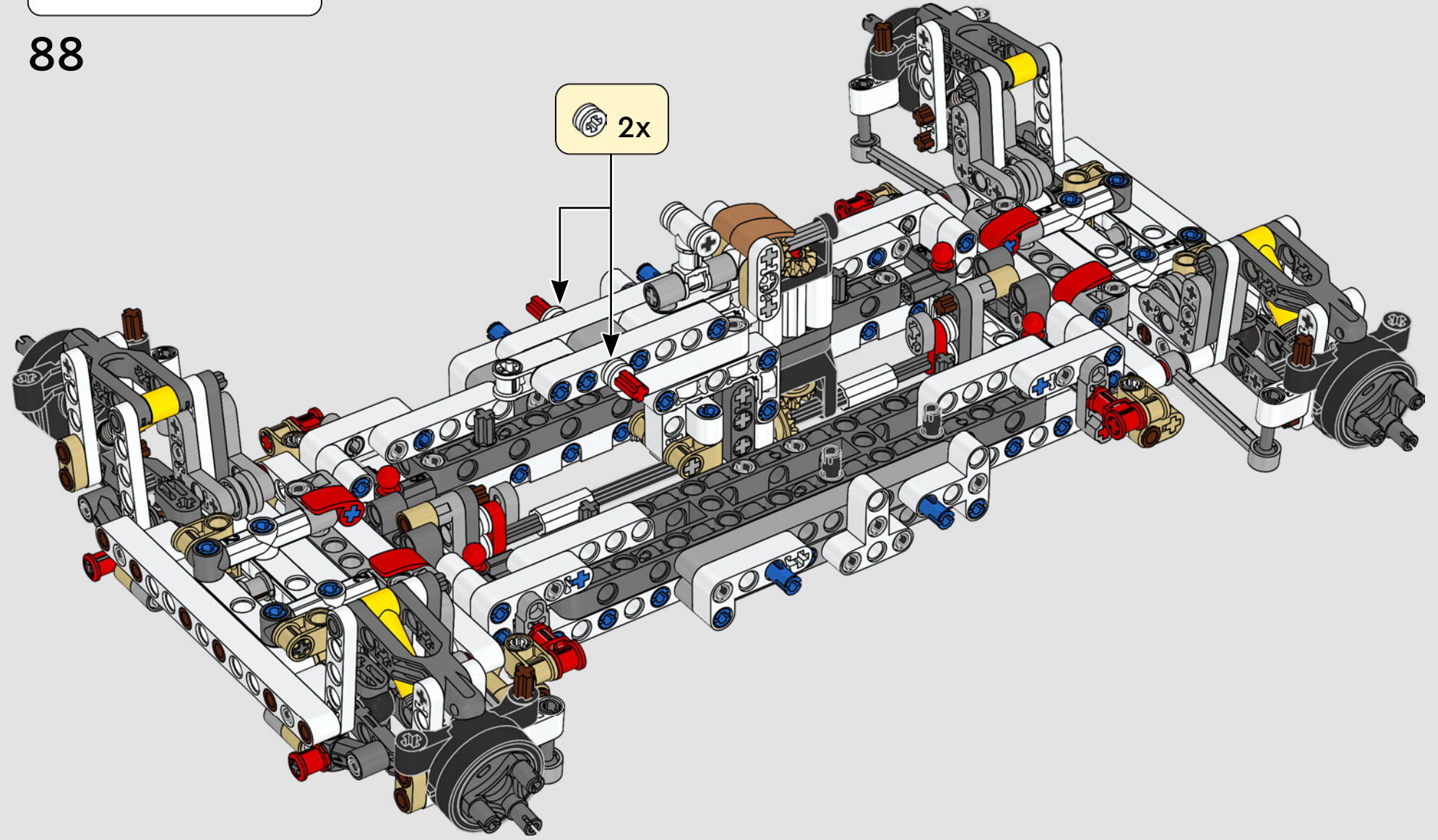


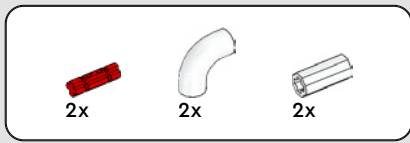
2x

88

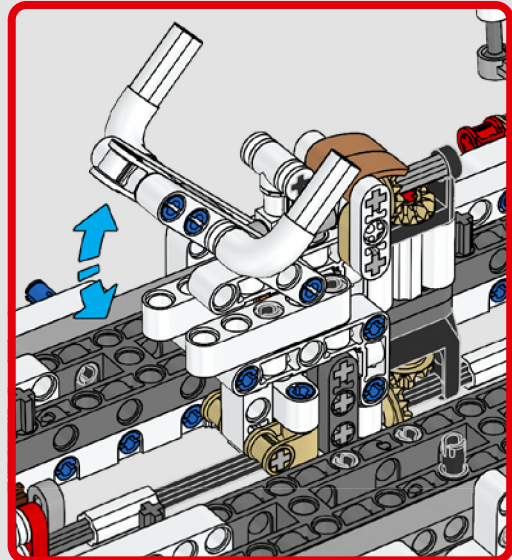
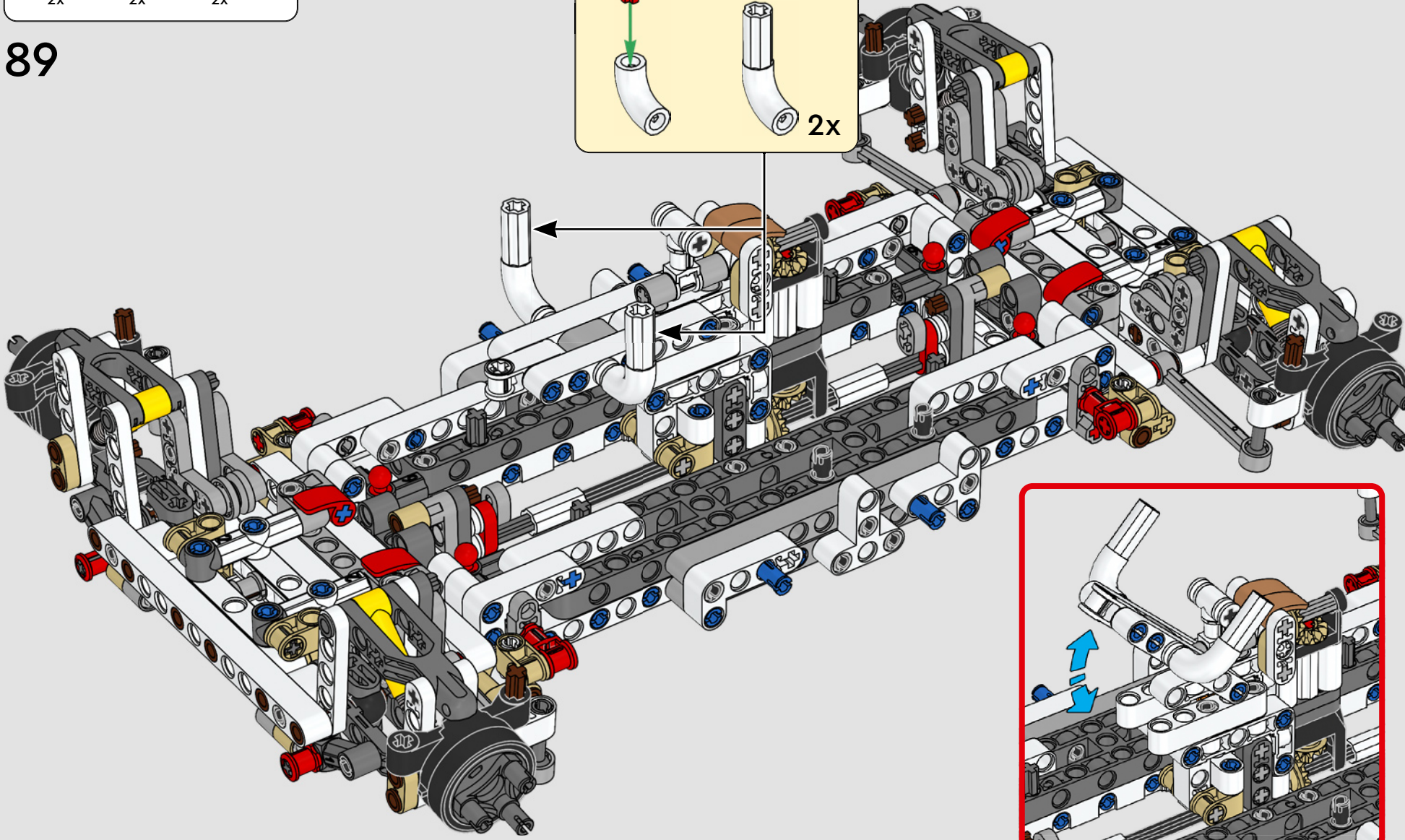
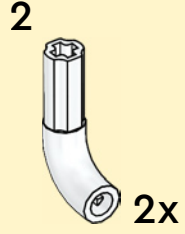
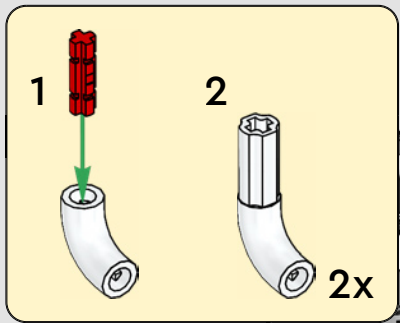


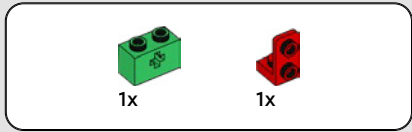
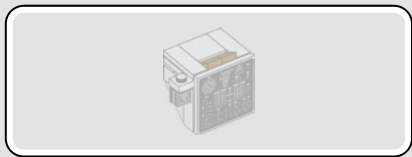
2x



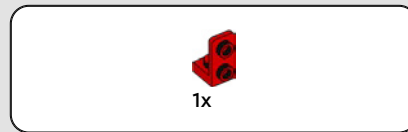
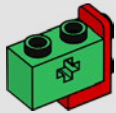


89

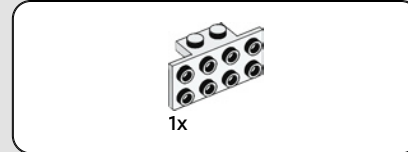
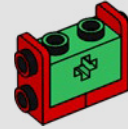




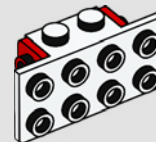
90

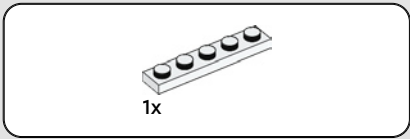


91

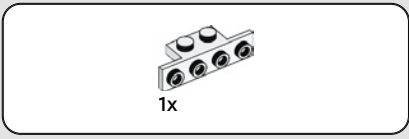
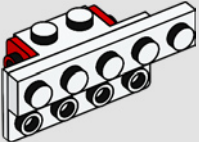


92

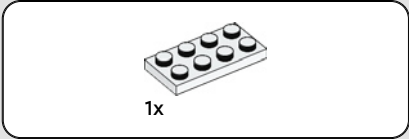
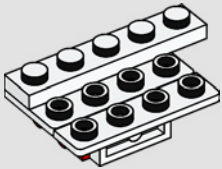




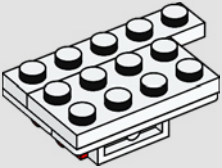
93

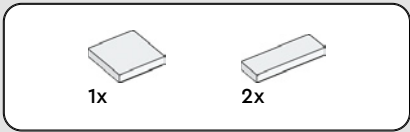


94

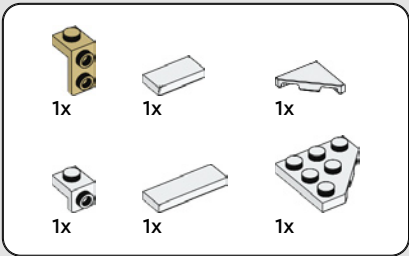
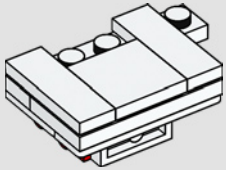


95

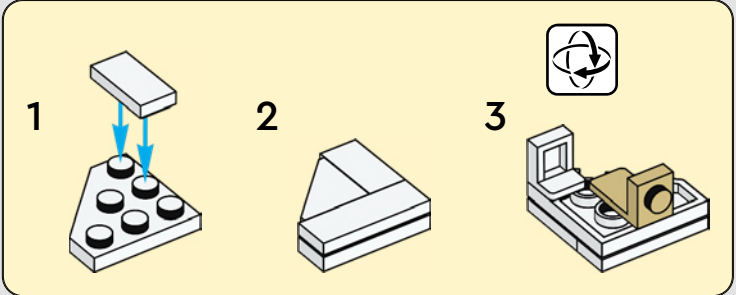




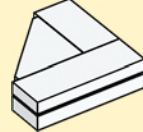
96



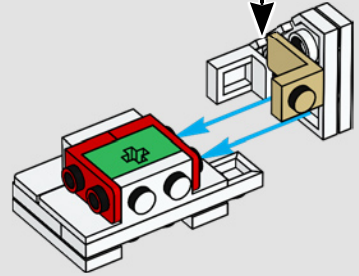
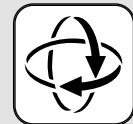
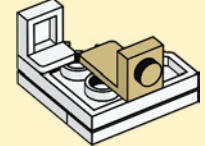
97

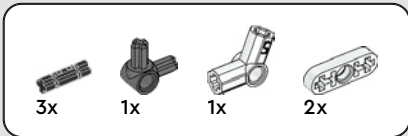


2

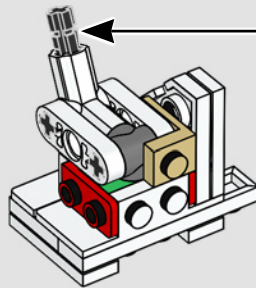
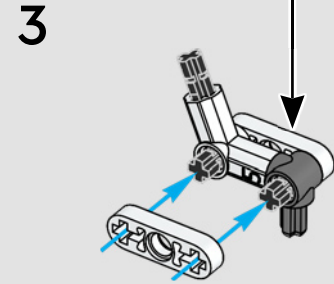
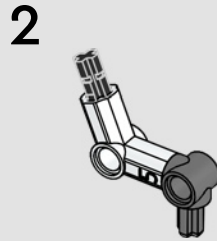
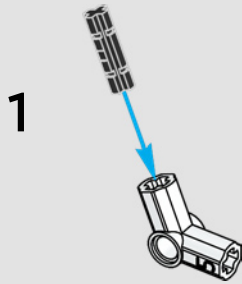


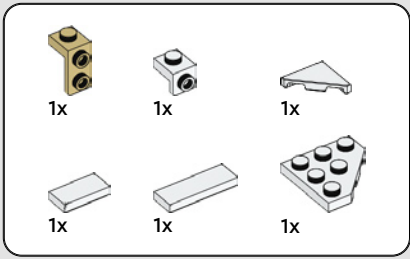
3



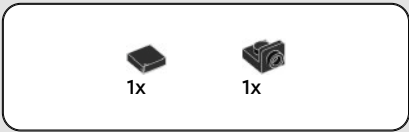
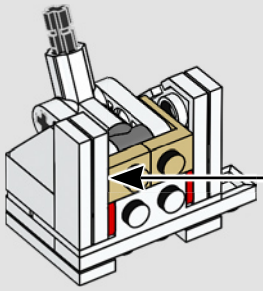
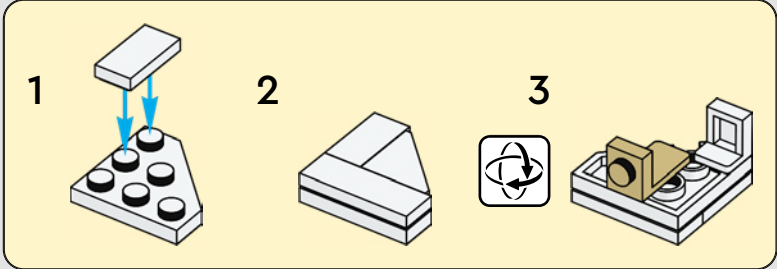


98

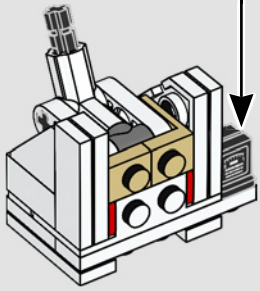
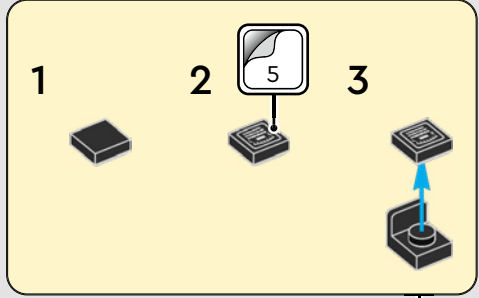


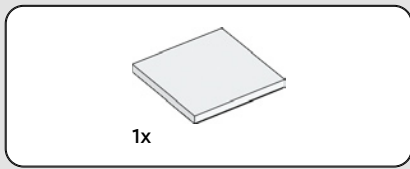


99

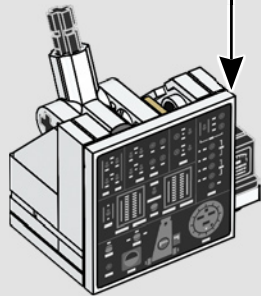
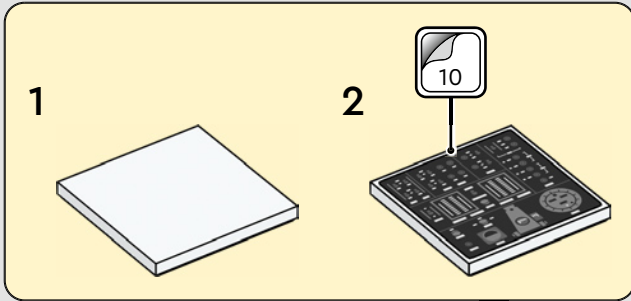


100

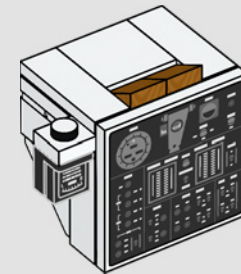
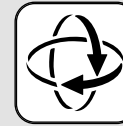




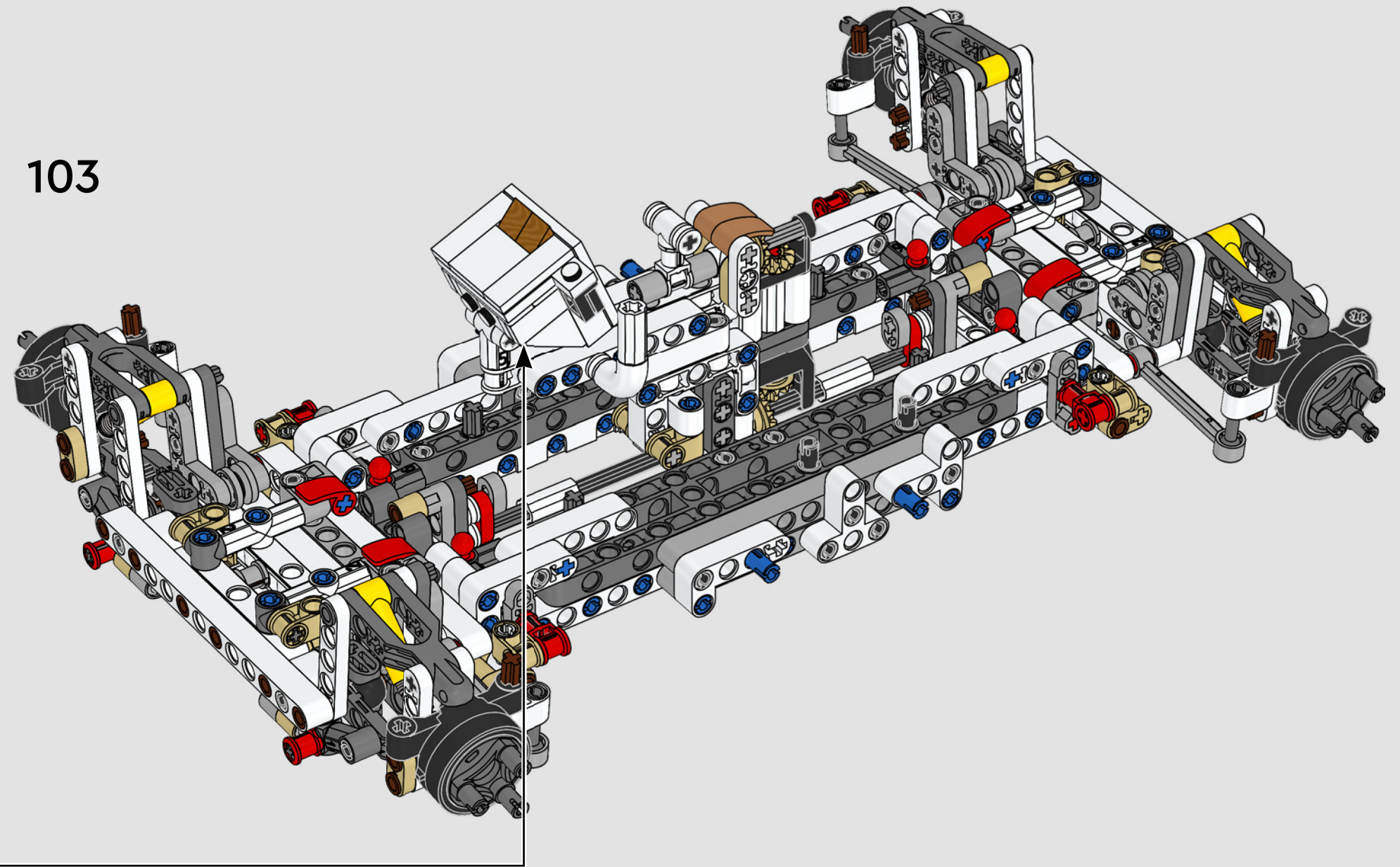
101

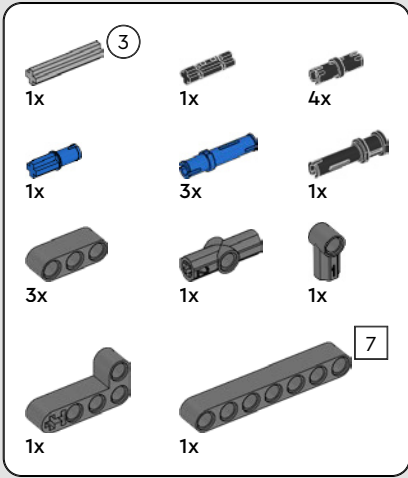
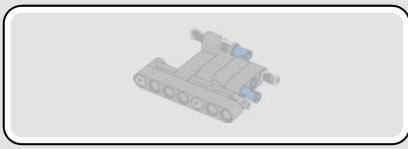


102



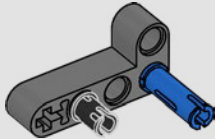
103



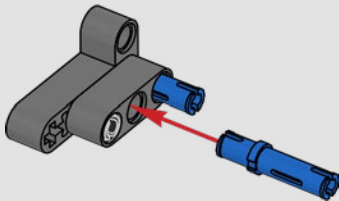


104

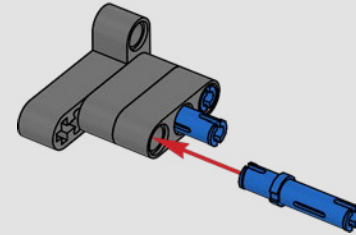
1



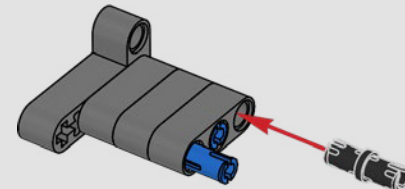
2

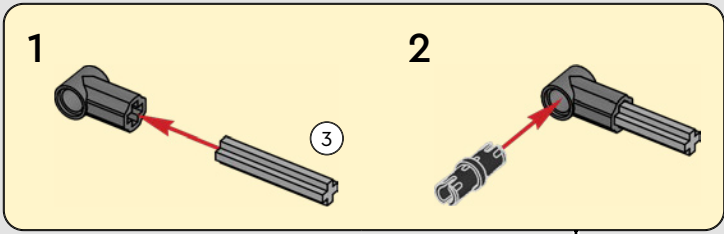


3

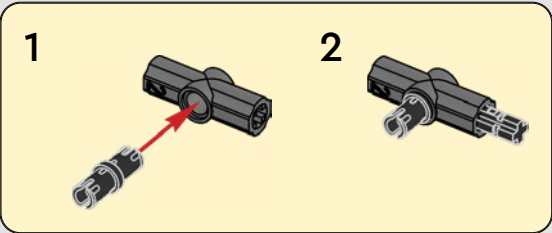
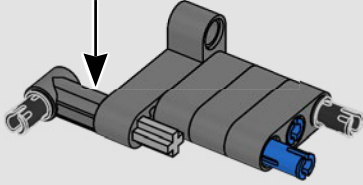


4

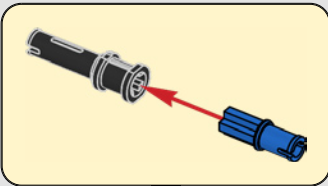
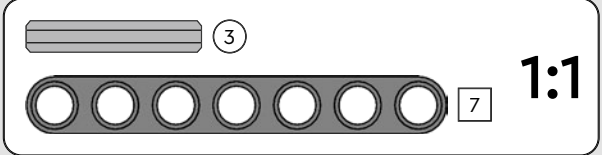
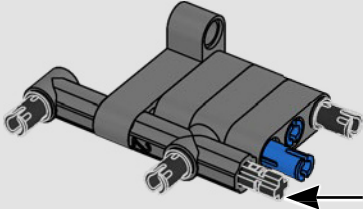




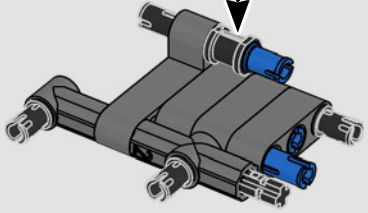
5



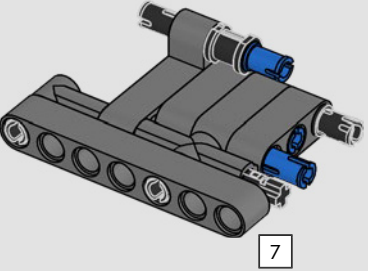
6

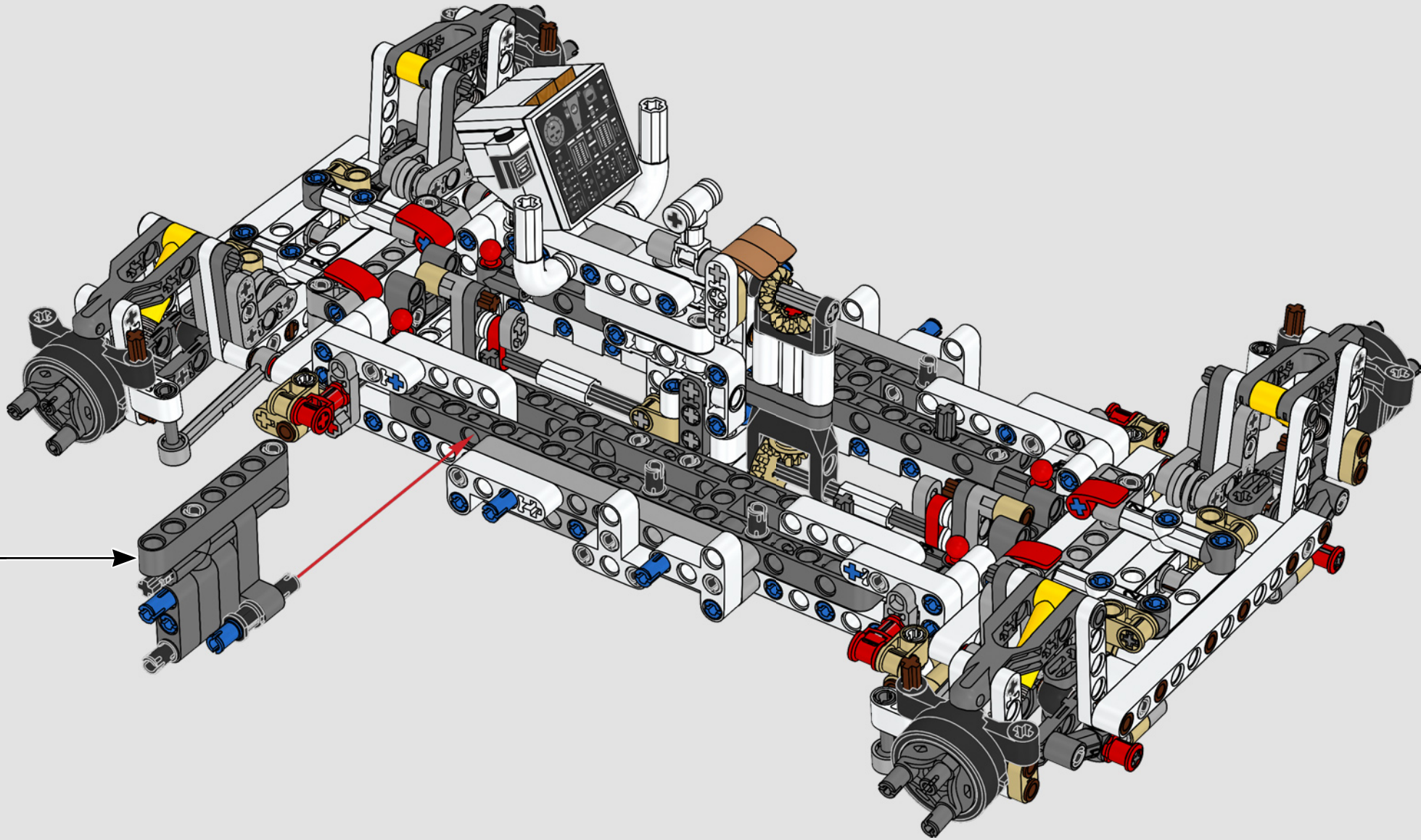


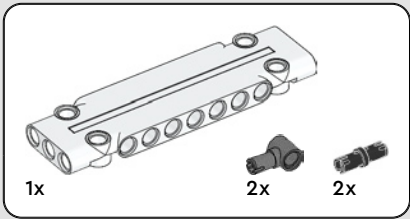
7



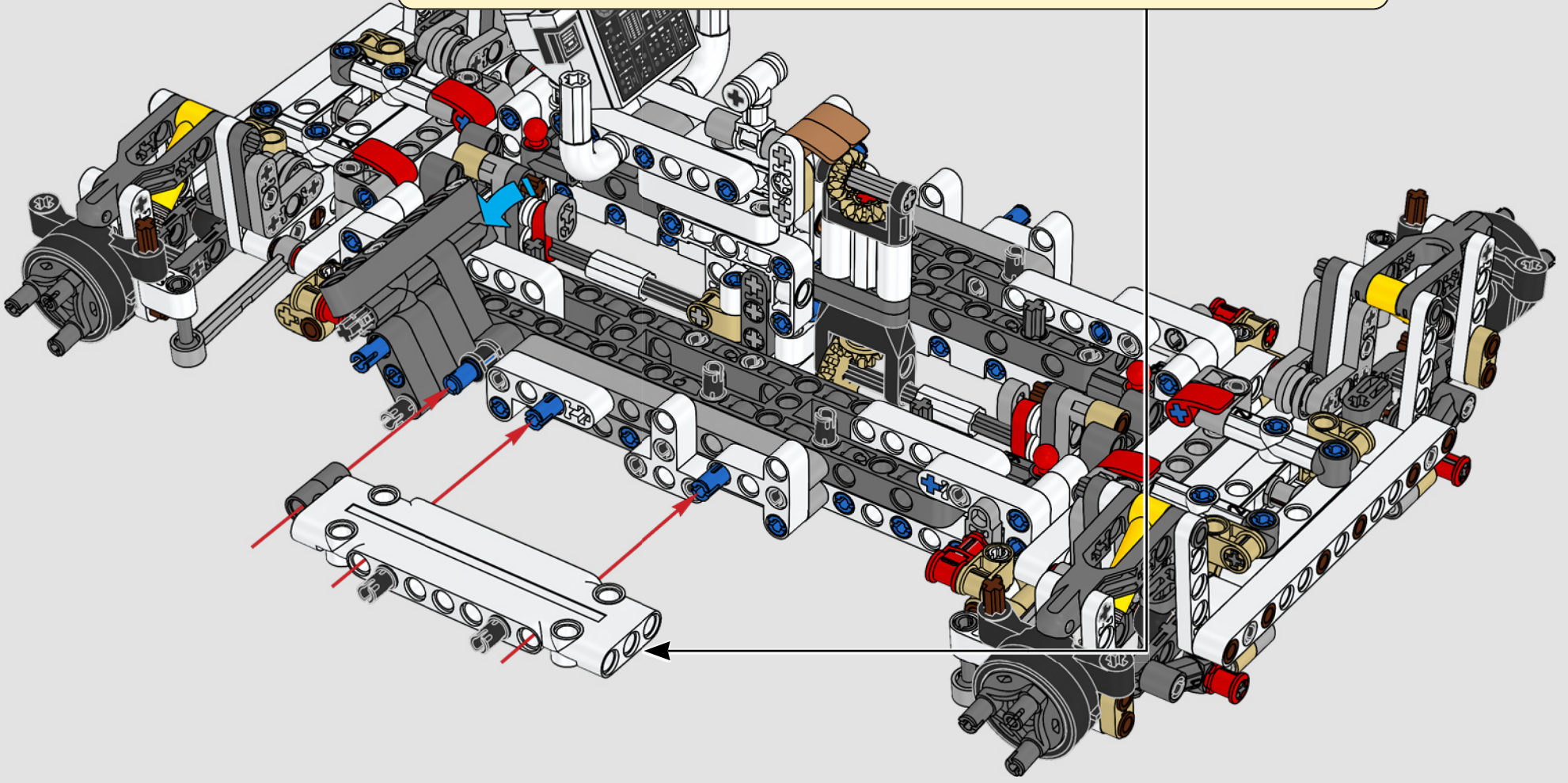
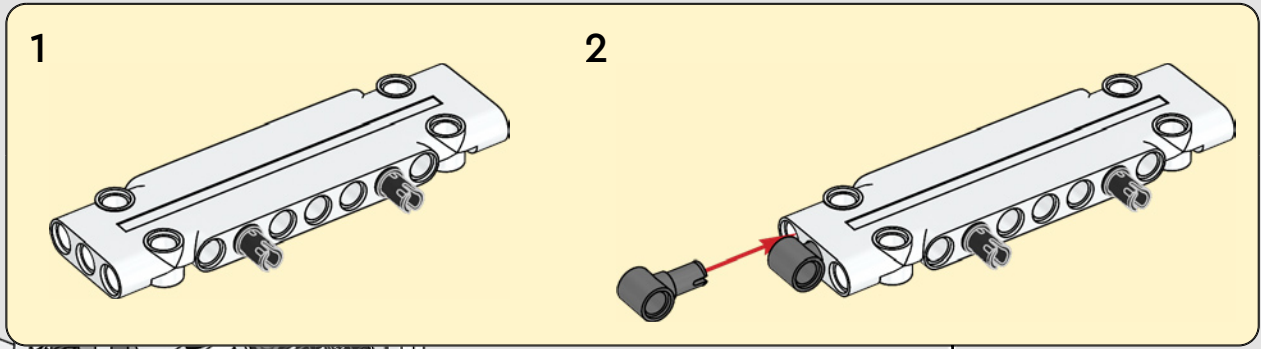
8

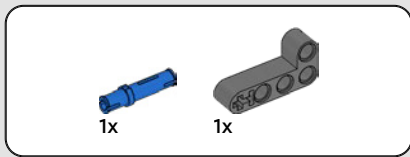




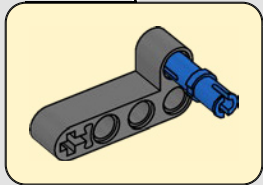
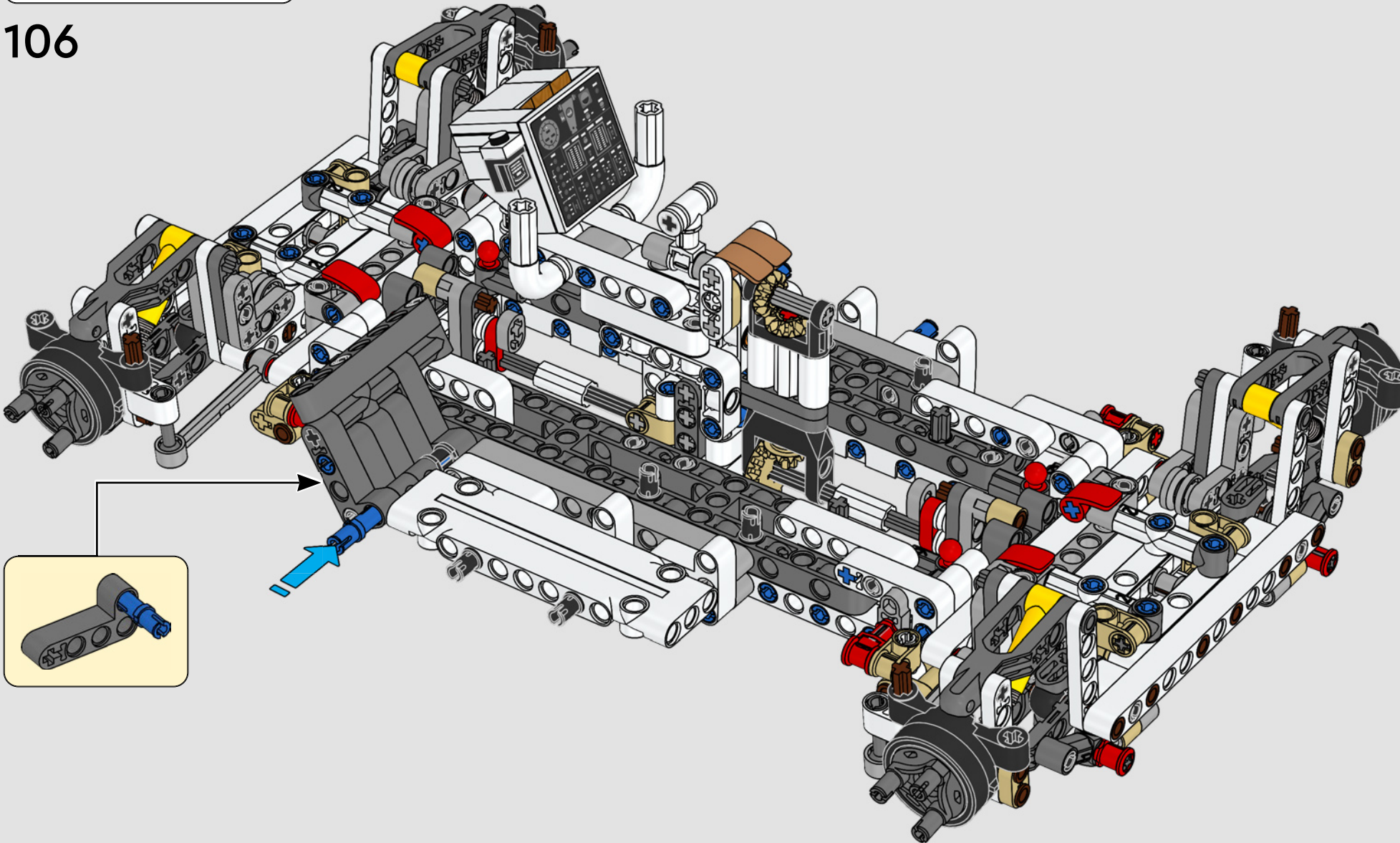


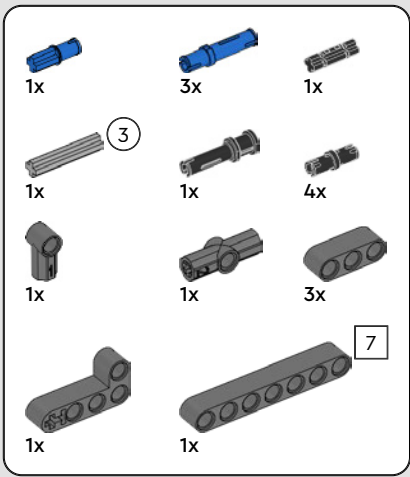
105





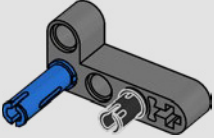
106



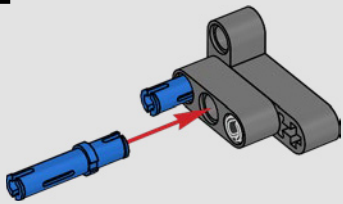


107

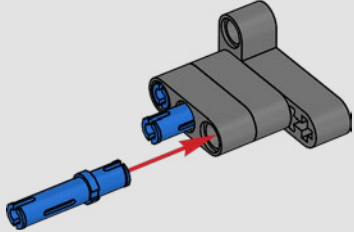
1



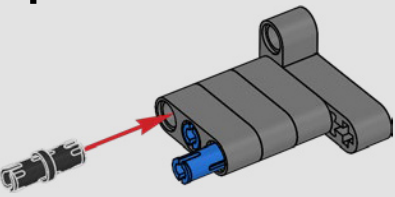
2

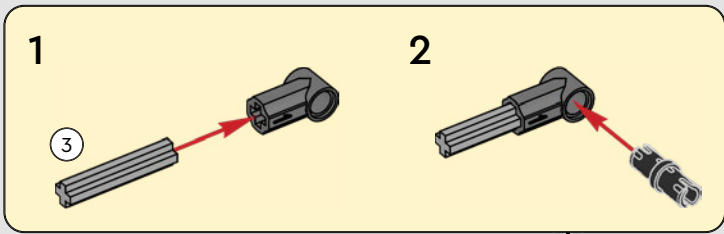


3

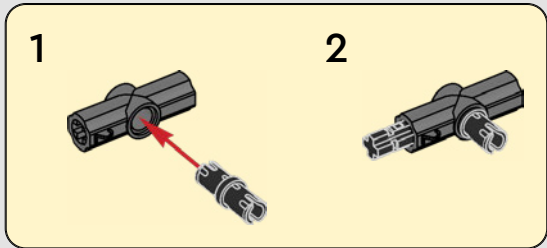
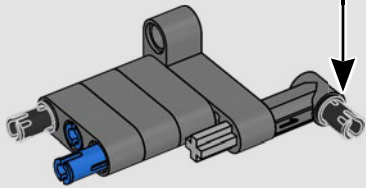


4

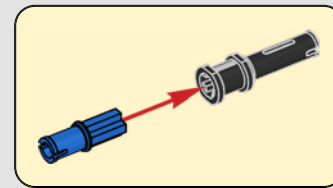
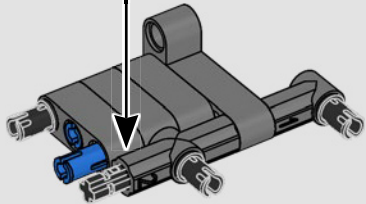




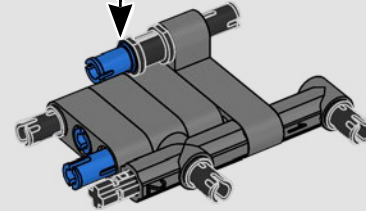
5



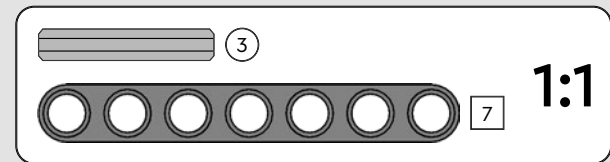
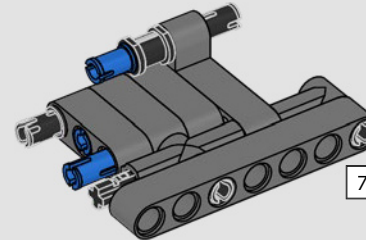
6

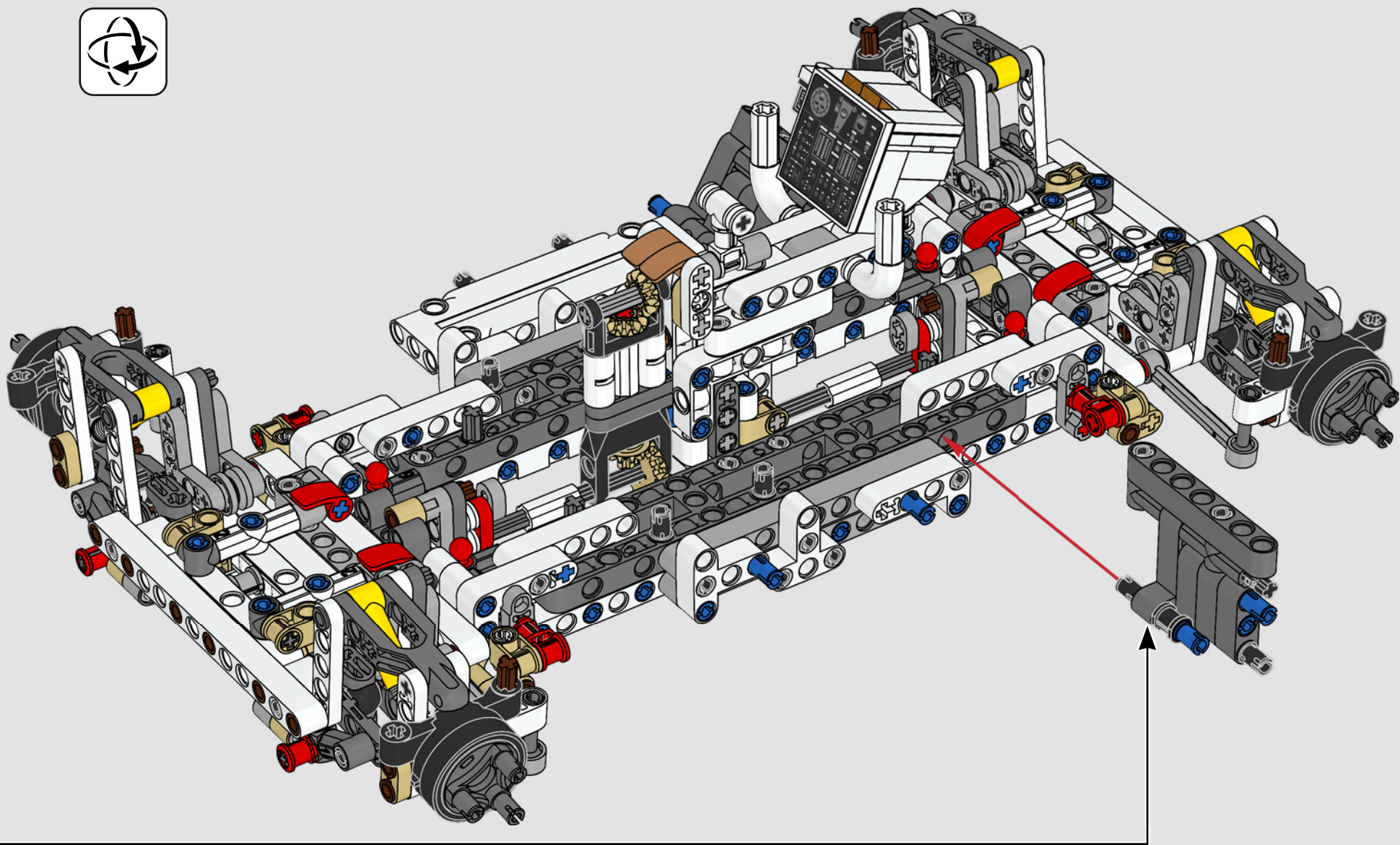


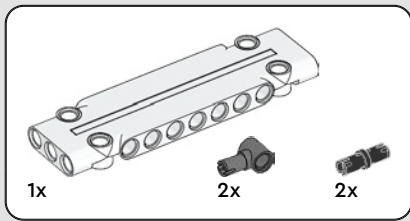
7



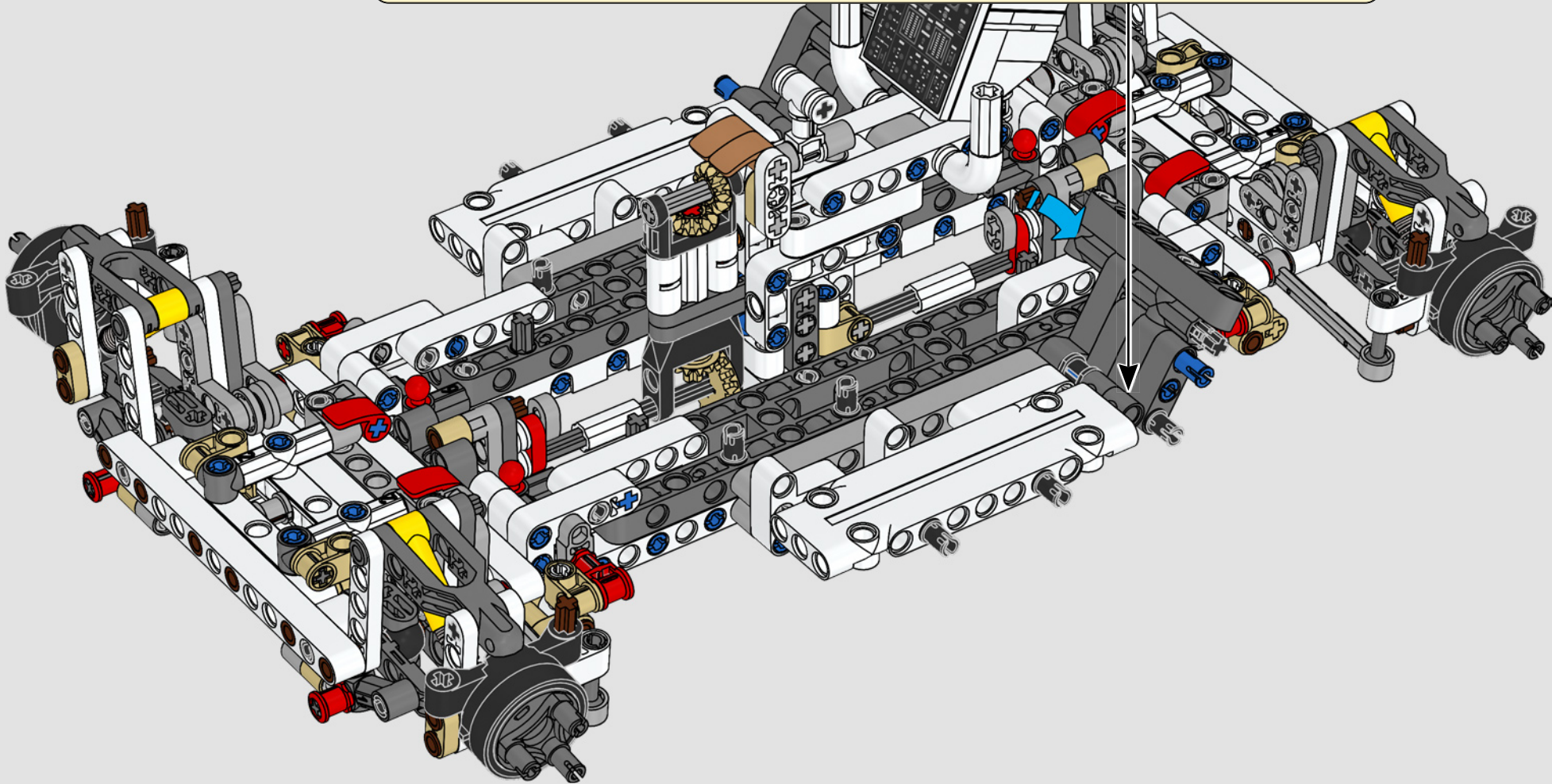
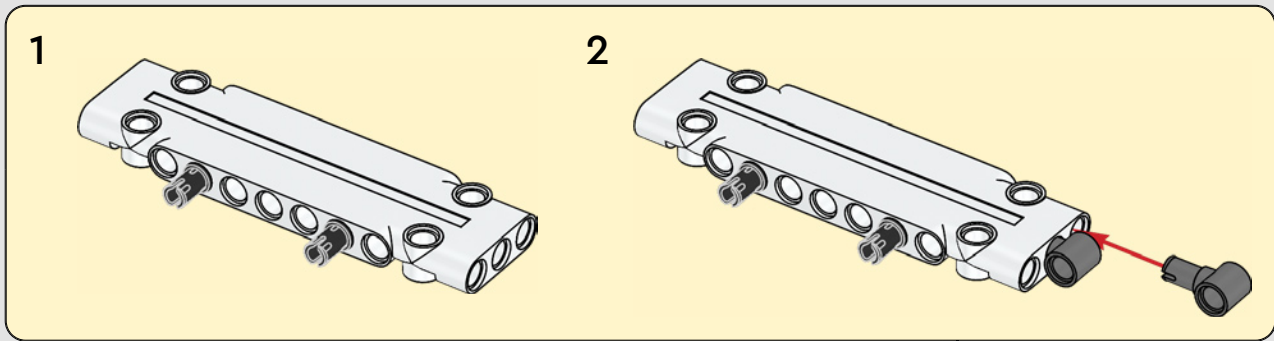
8

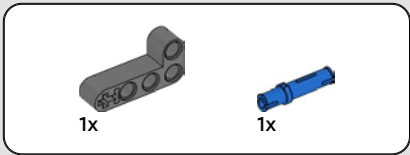




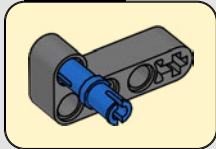
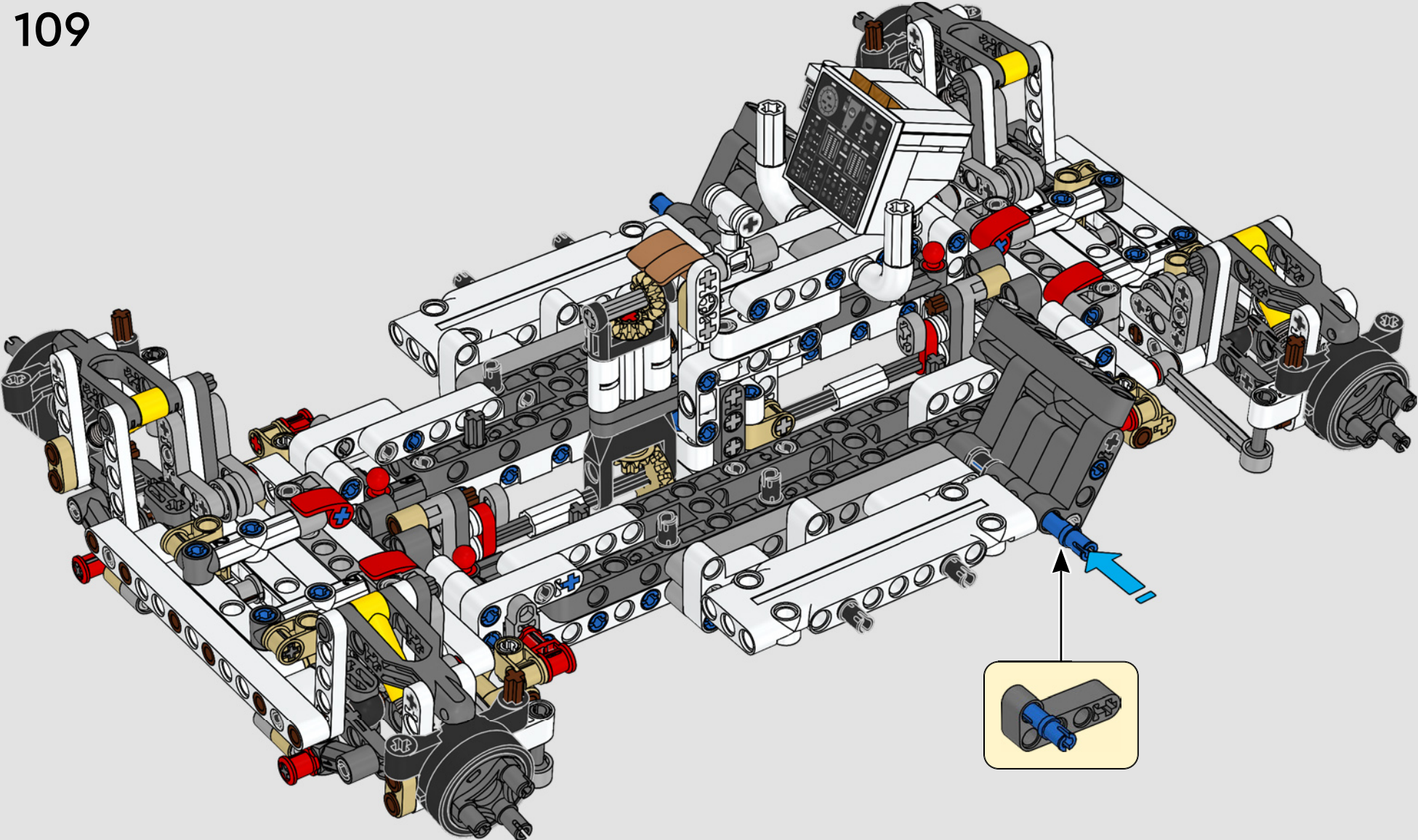


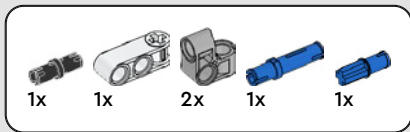
108



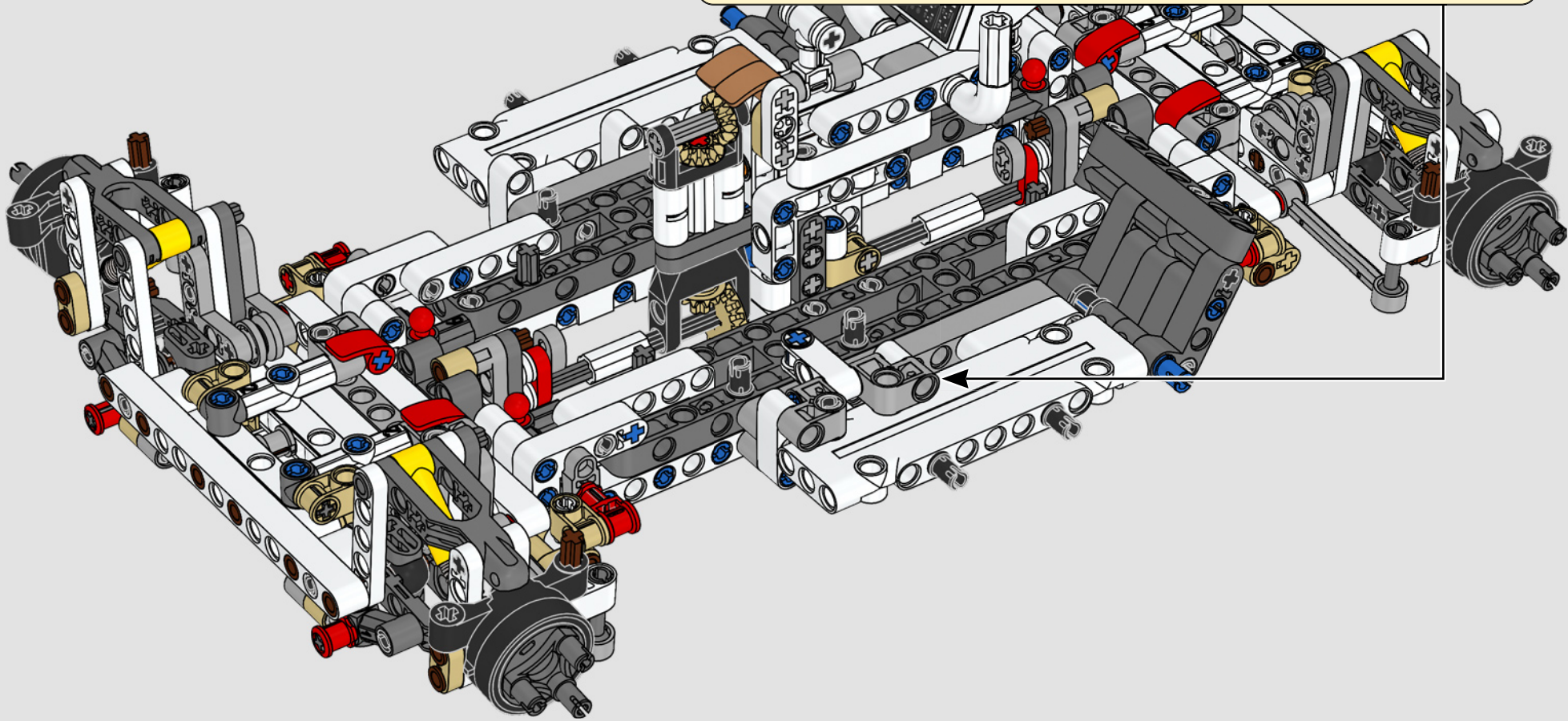
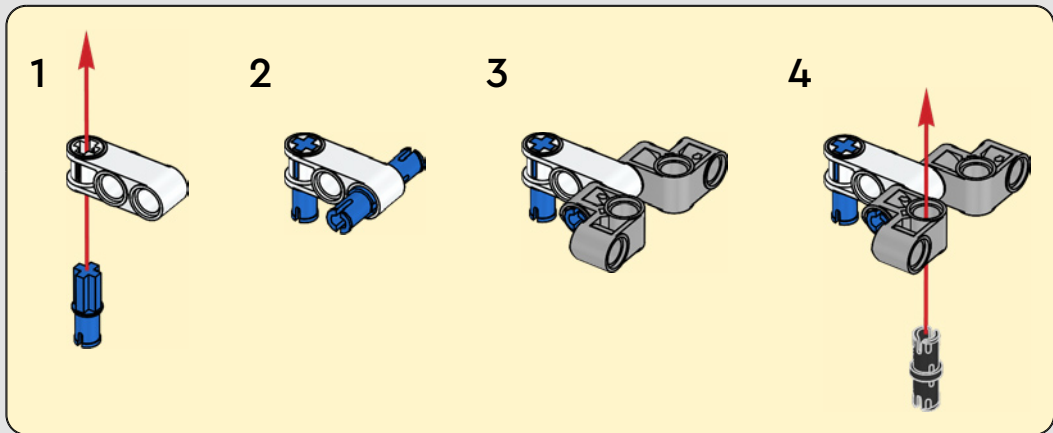


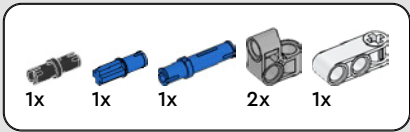
109



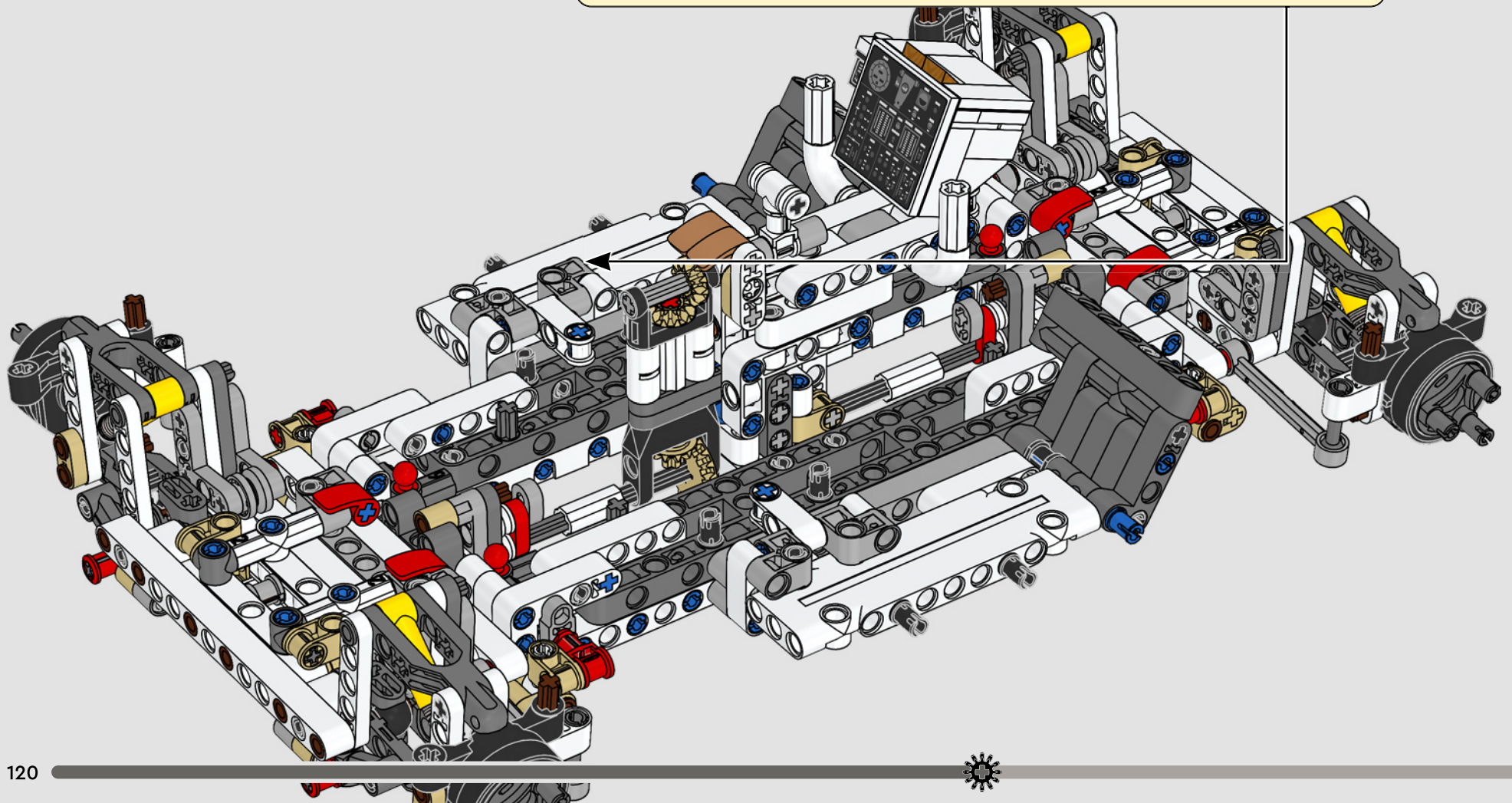
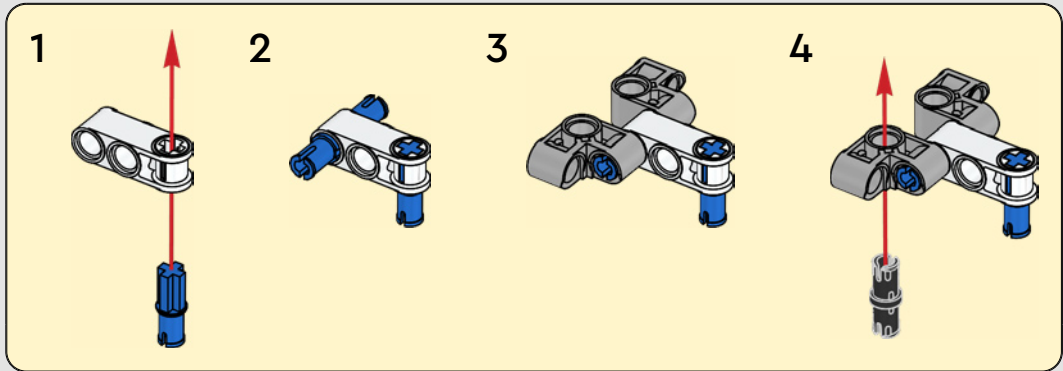


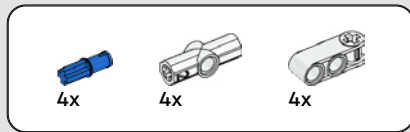
110



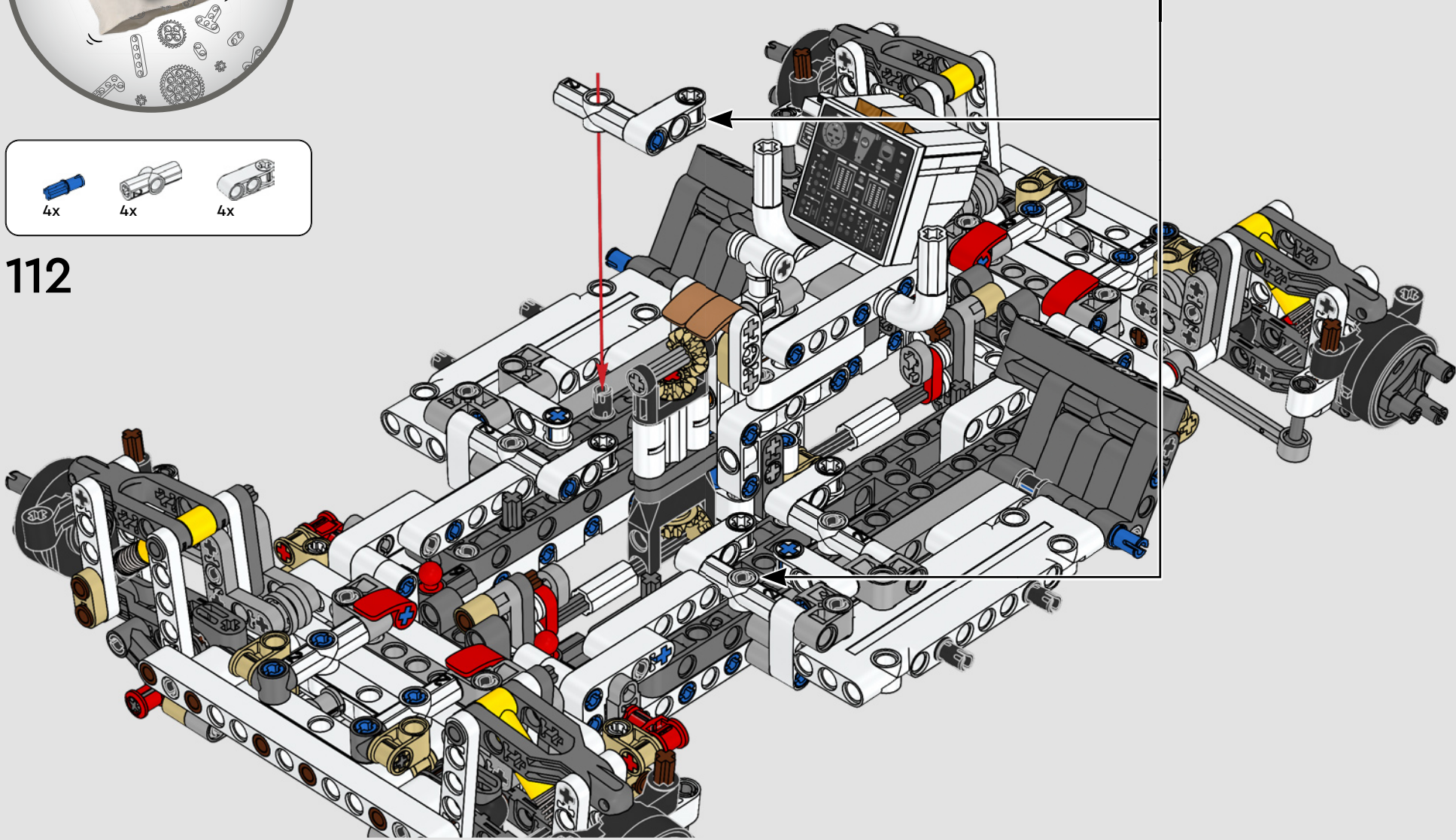
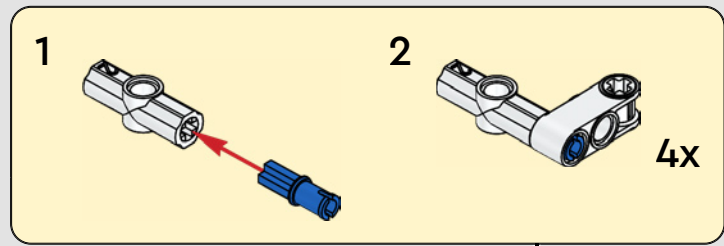


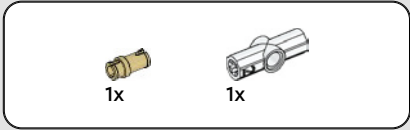
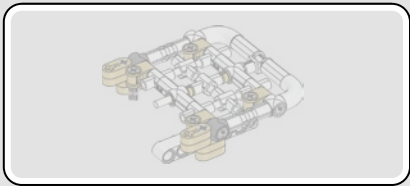
111



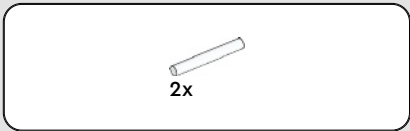
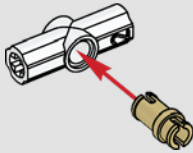


112

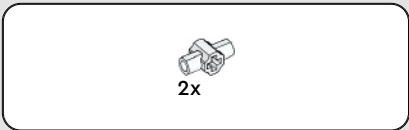
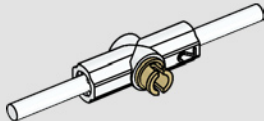




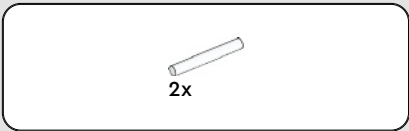
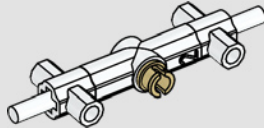
113



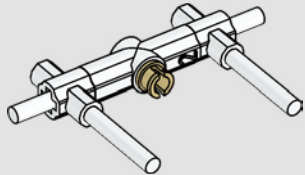
114

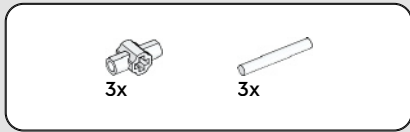


115

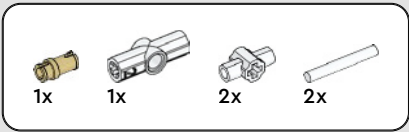
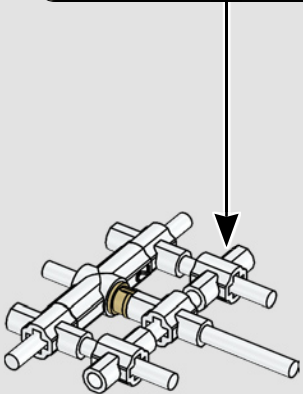
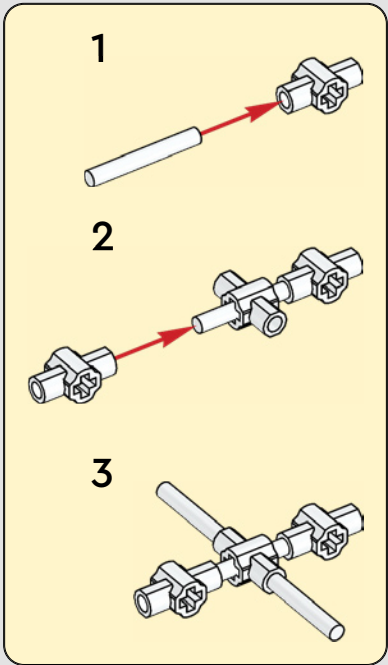


116

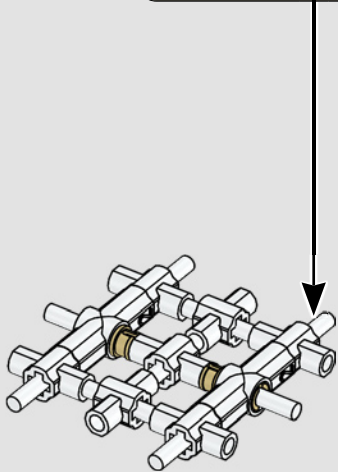
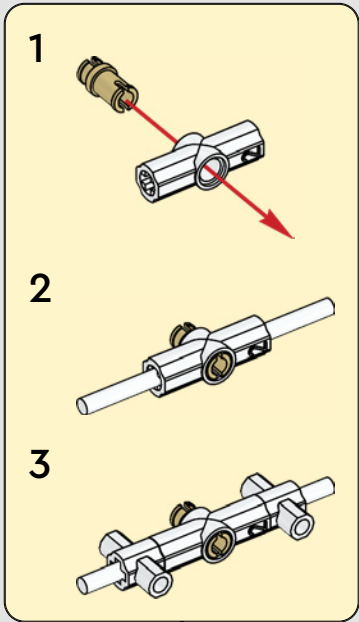


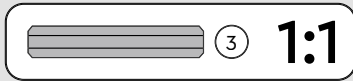
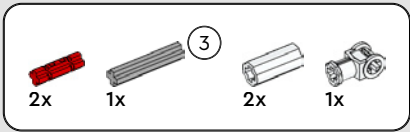


117

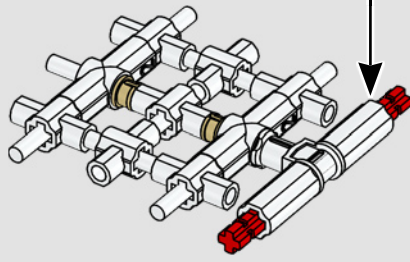
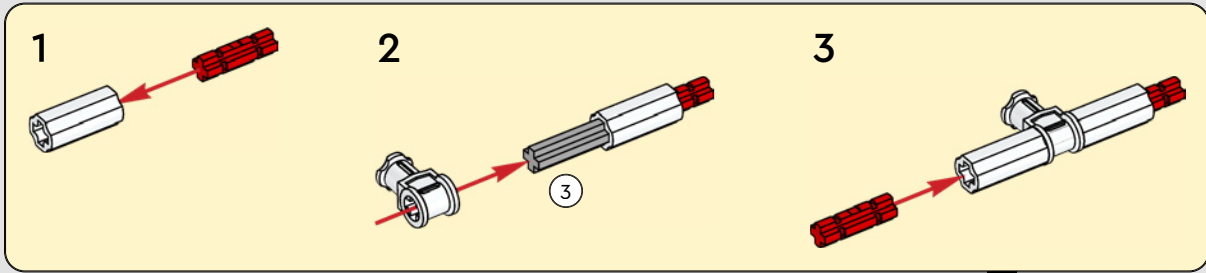


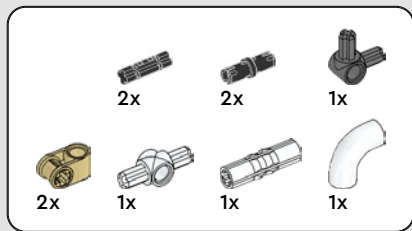
118



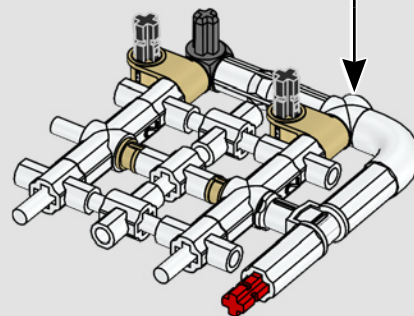
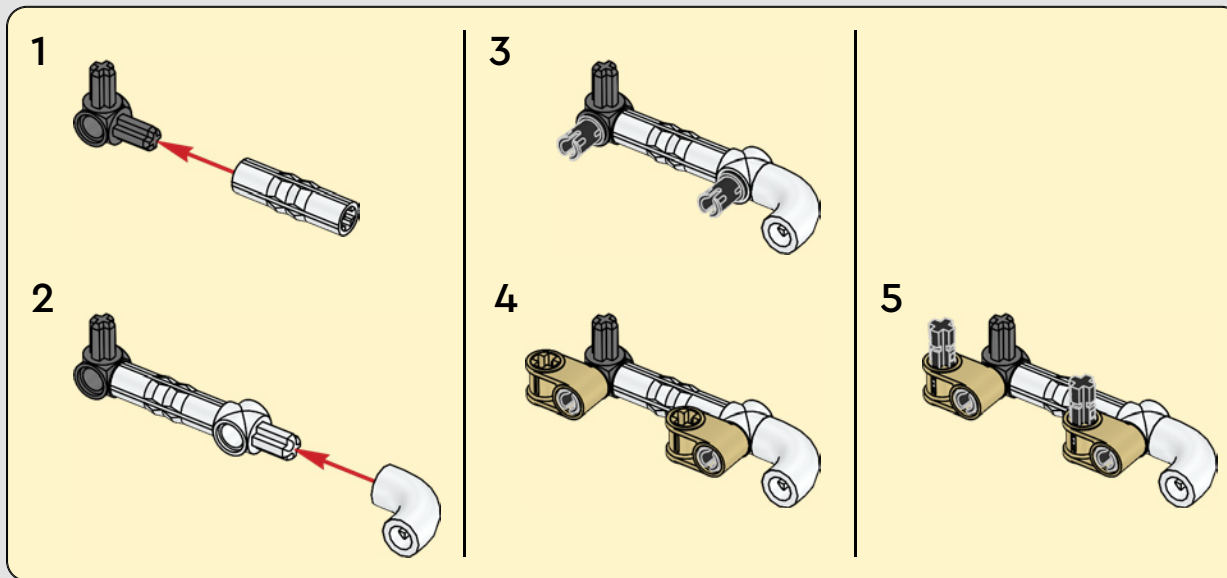


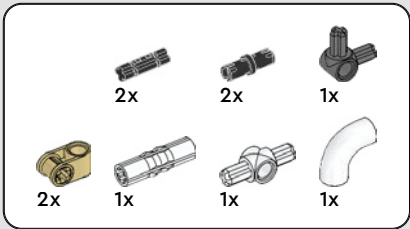
119



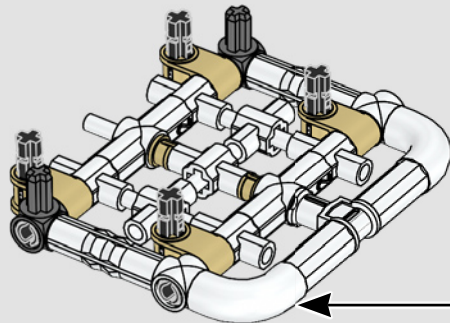
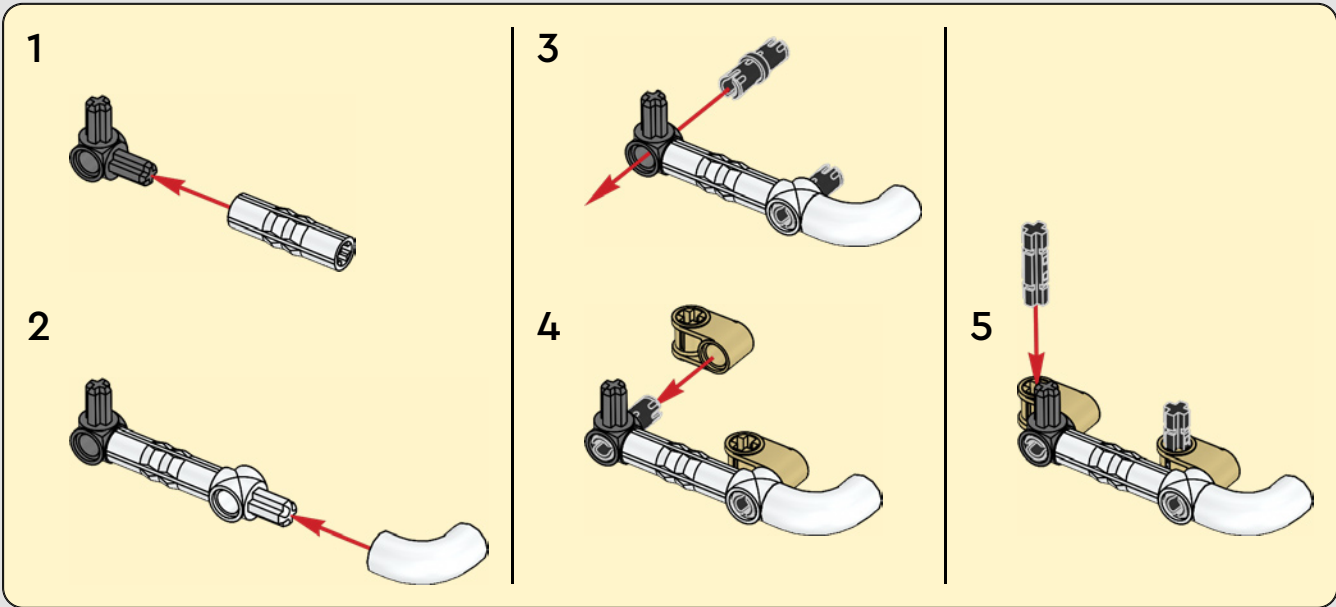


120



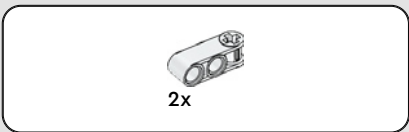
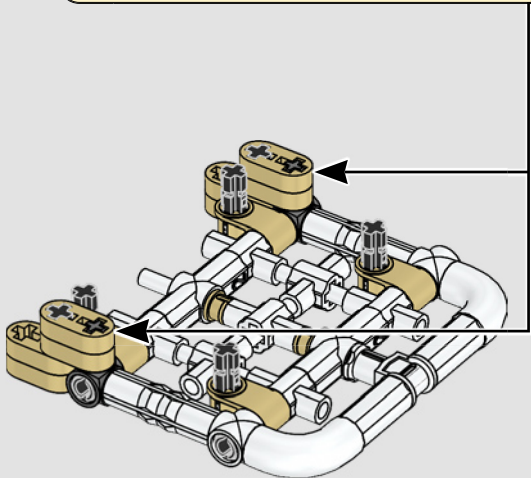
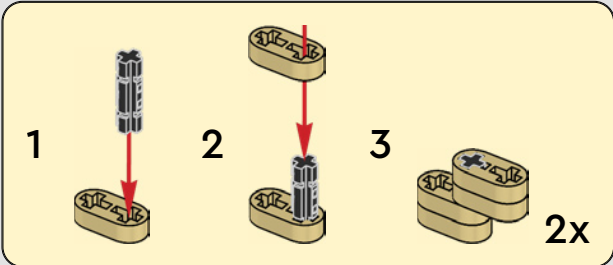


121

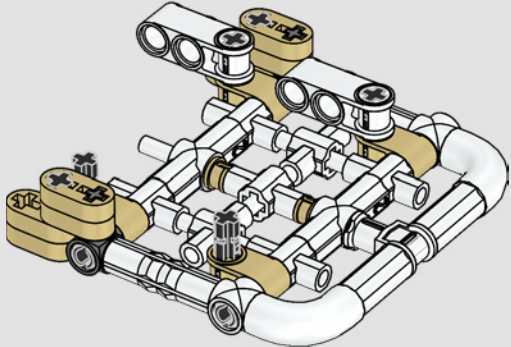




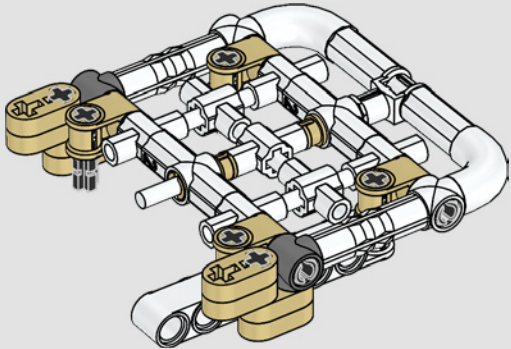
122



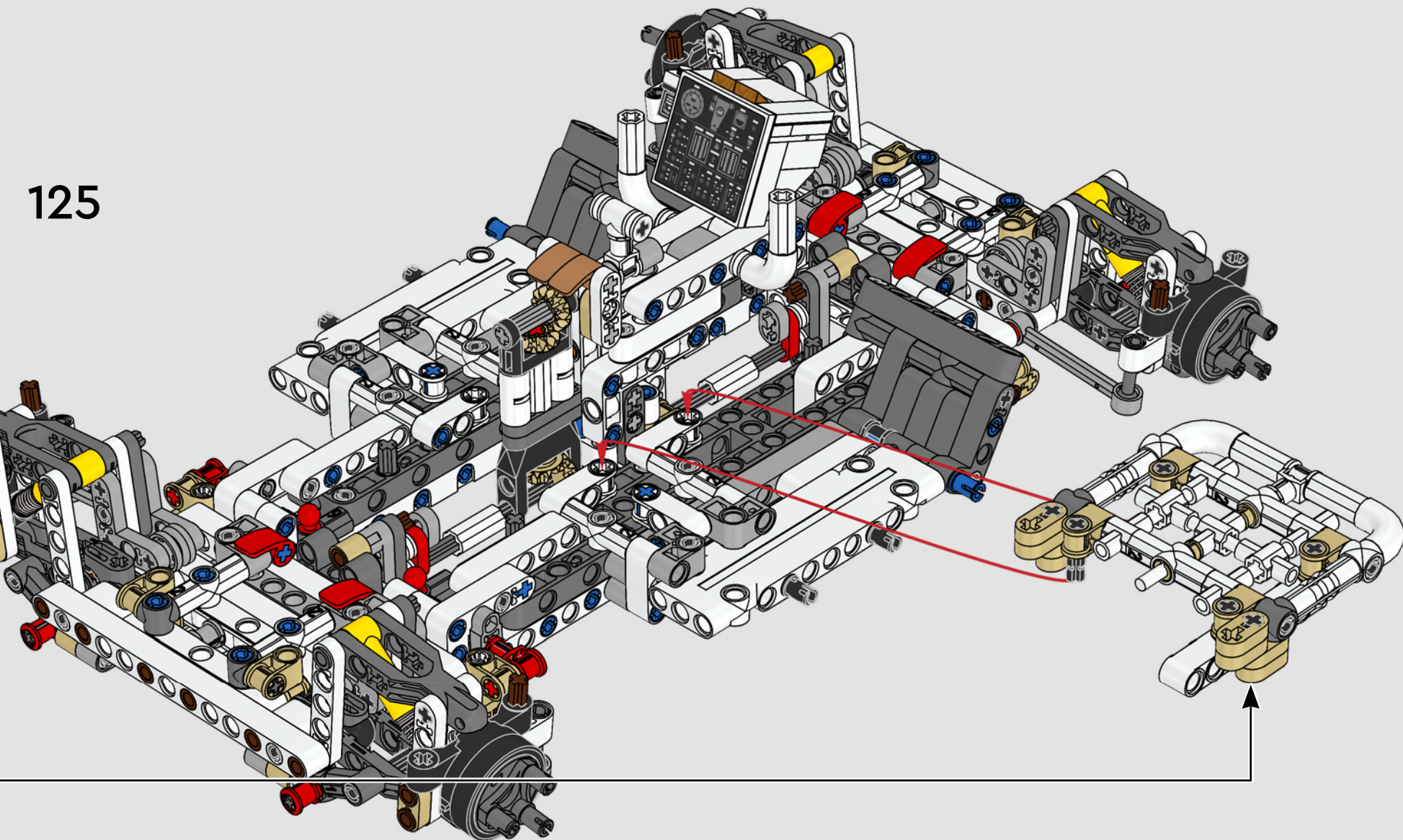
123

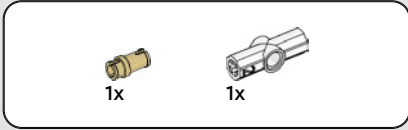
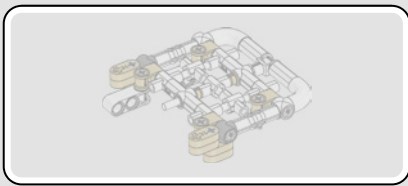


124

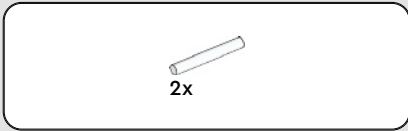
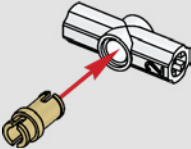


125

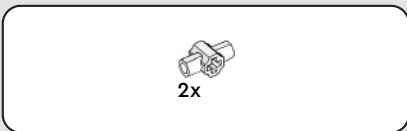
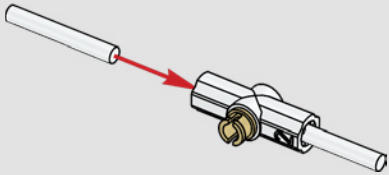




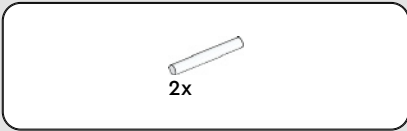
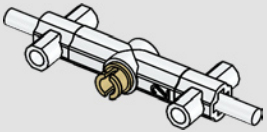
126



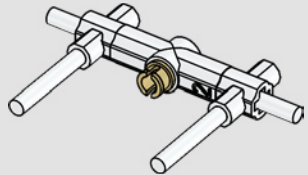
127

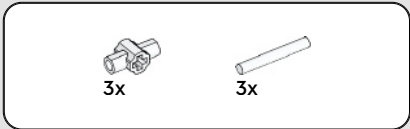


128

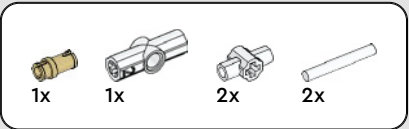
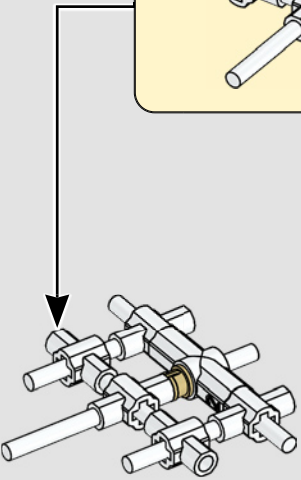
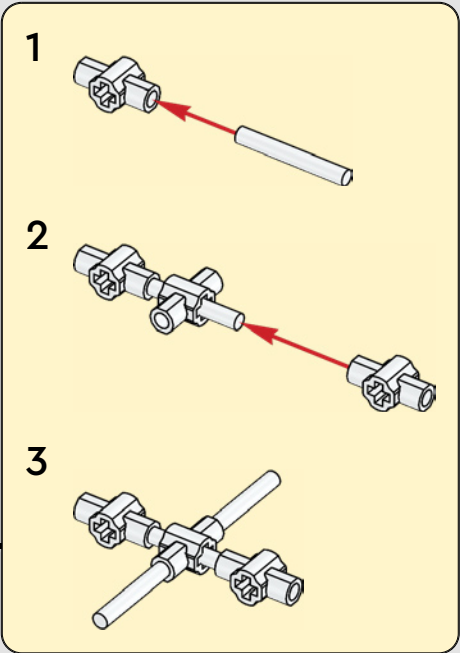


129

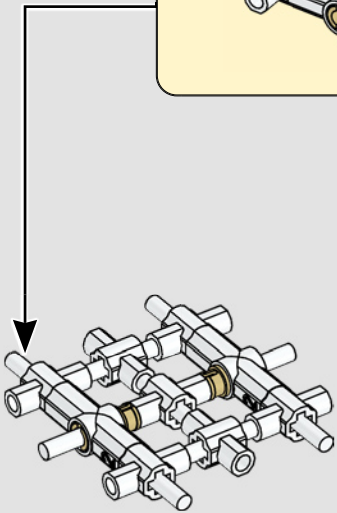
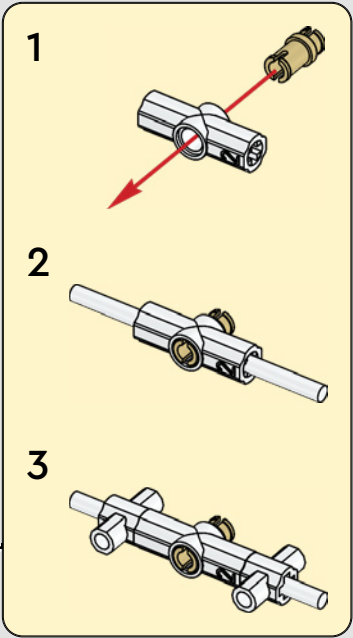


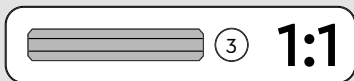
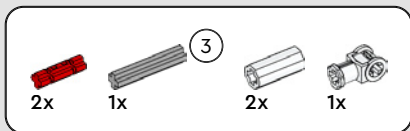


130

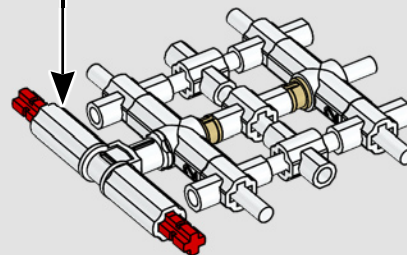
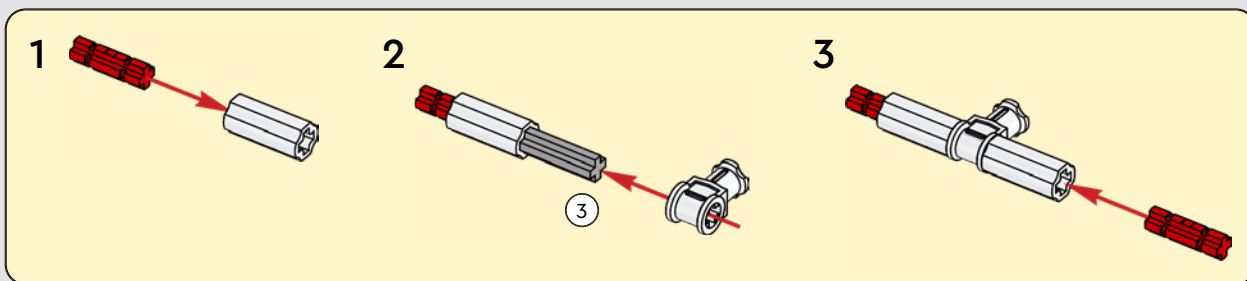


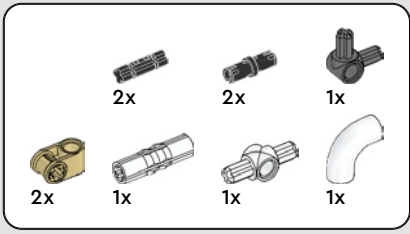
131



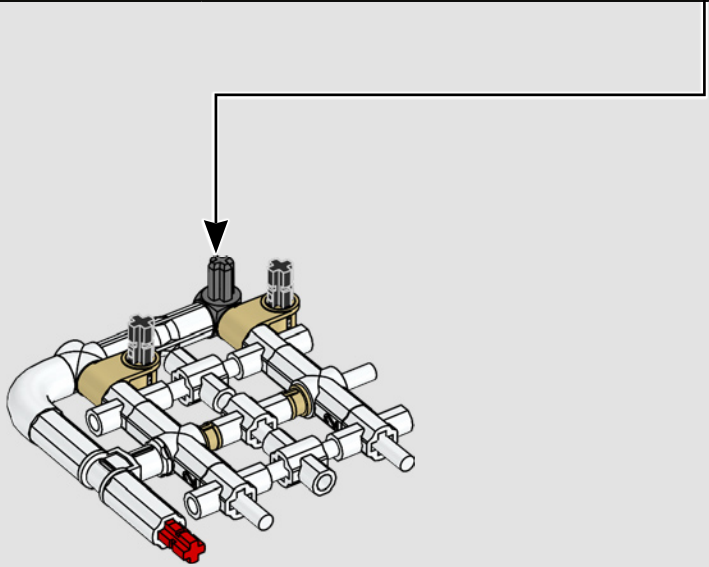
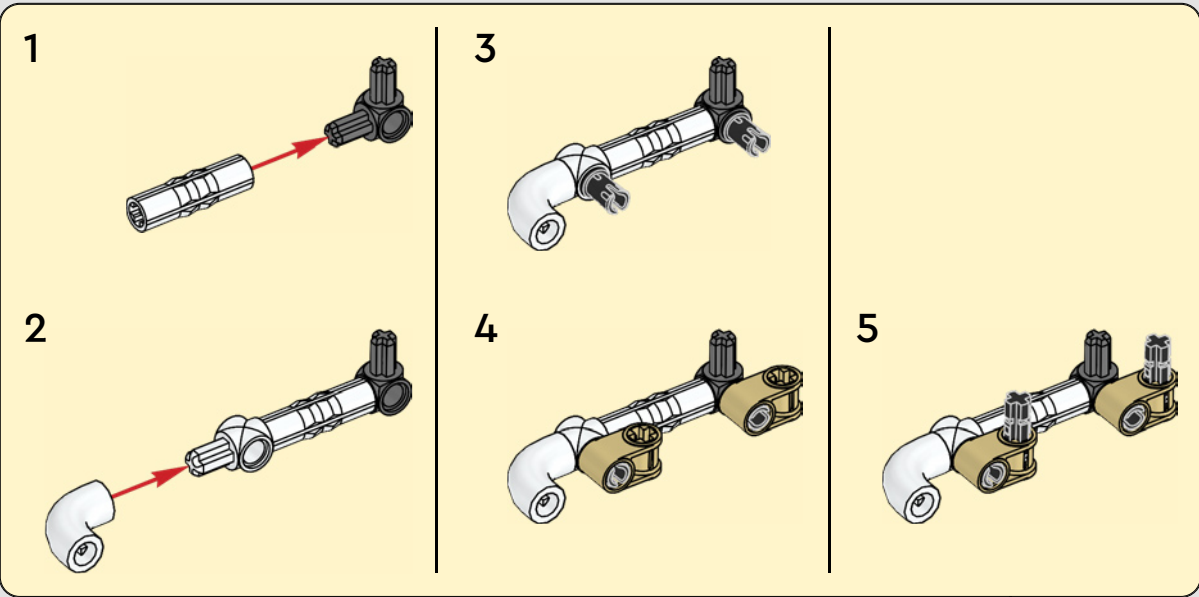


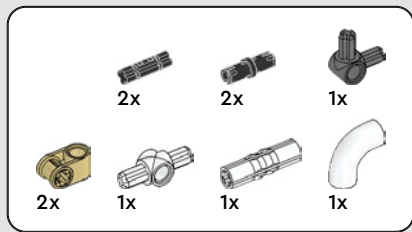
132



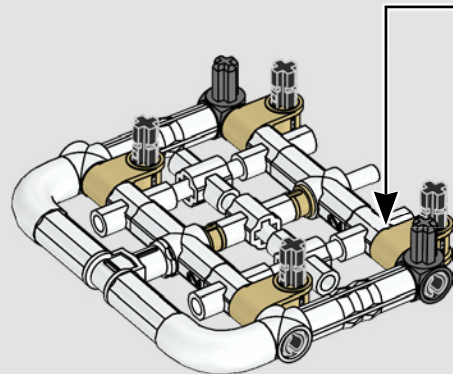
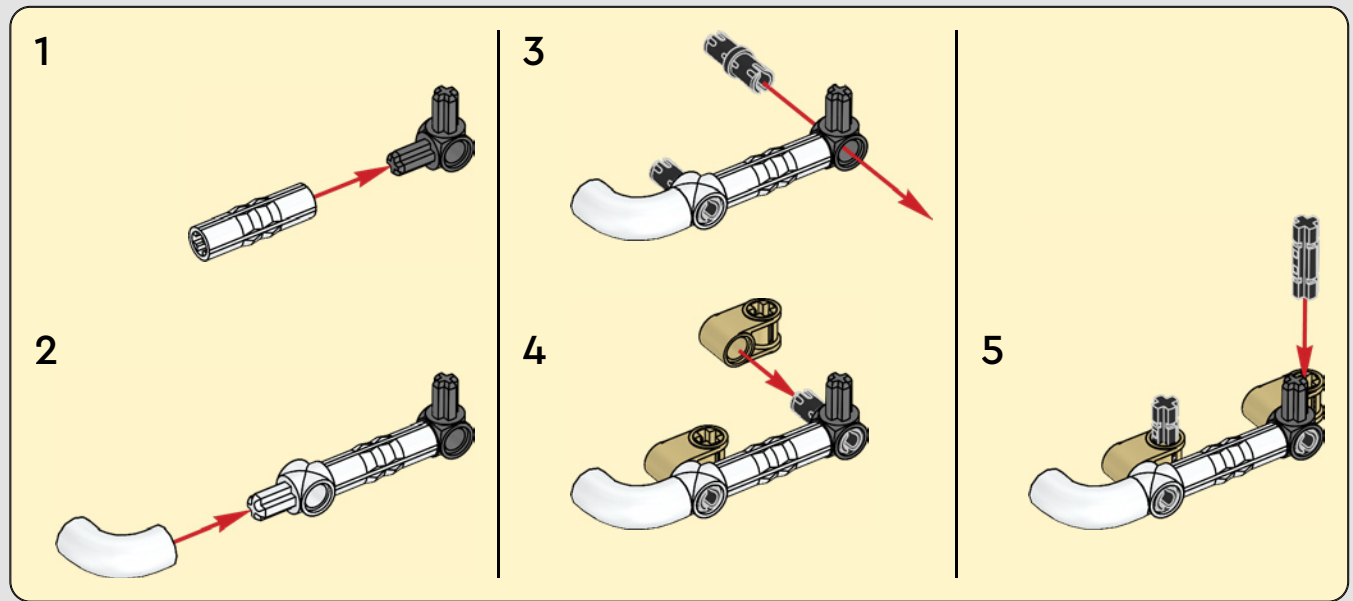


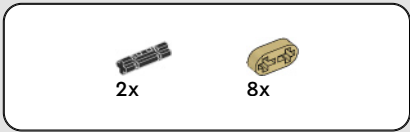
133



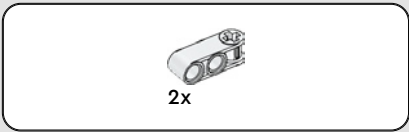
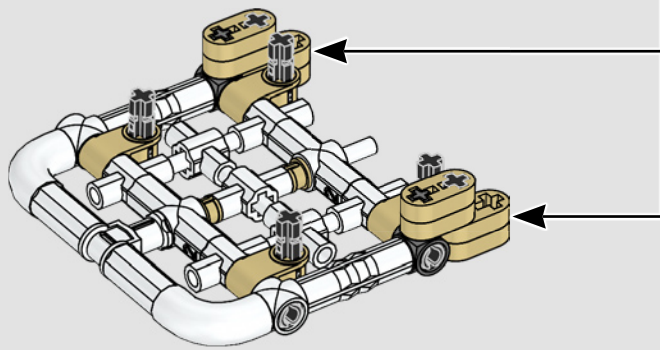
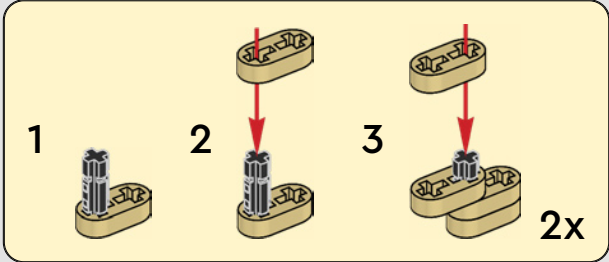


134

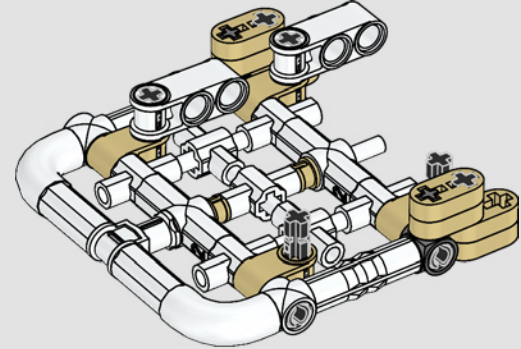




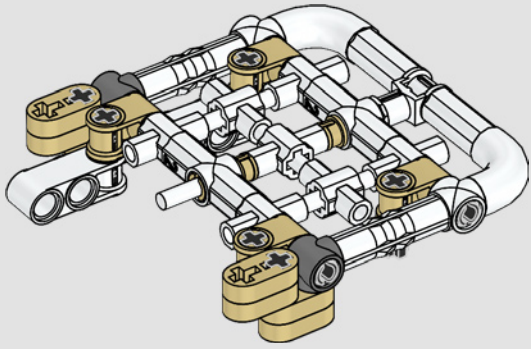
135



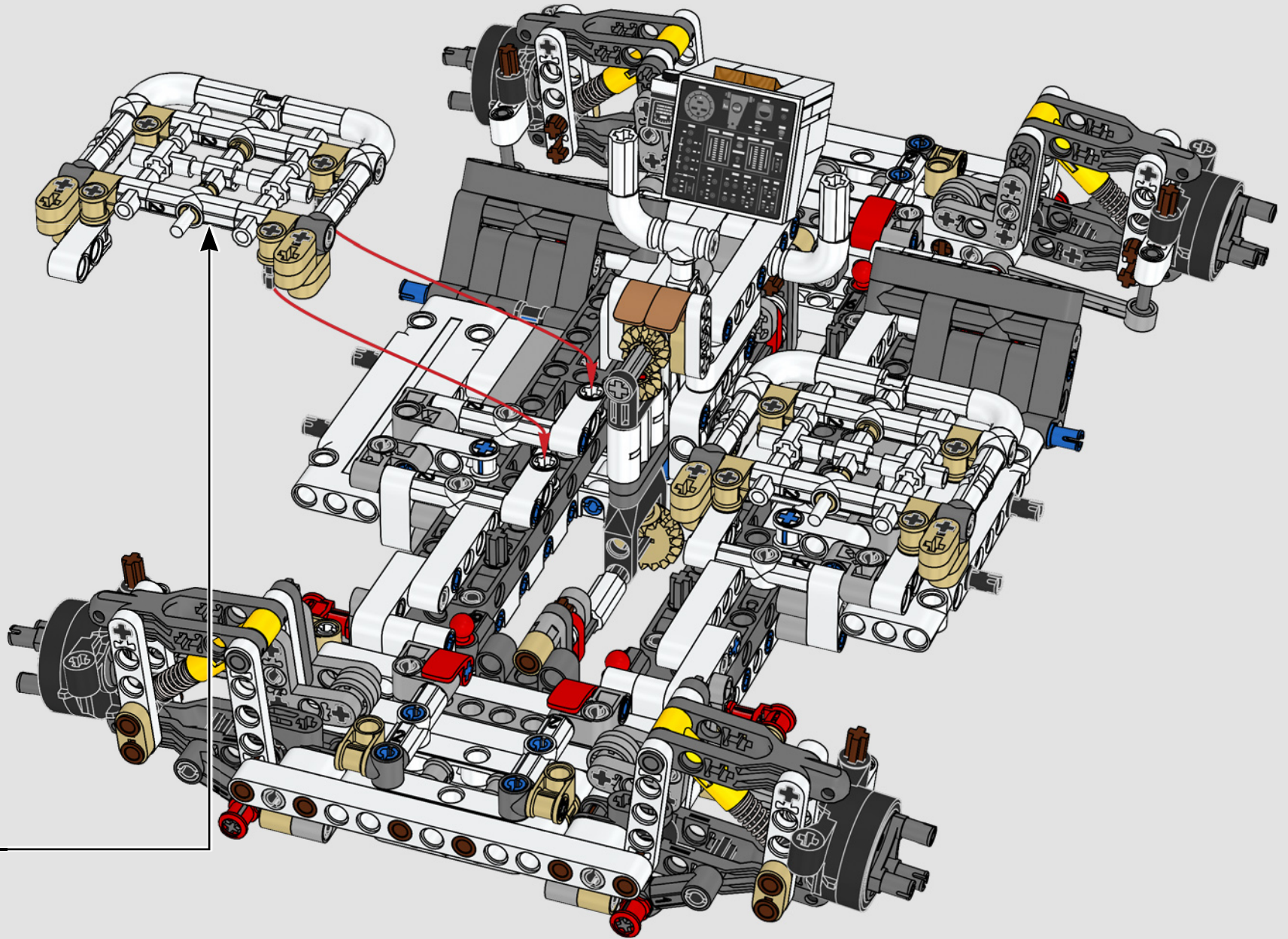
136

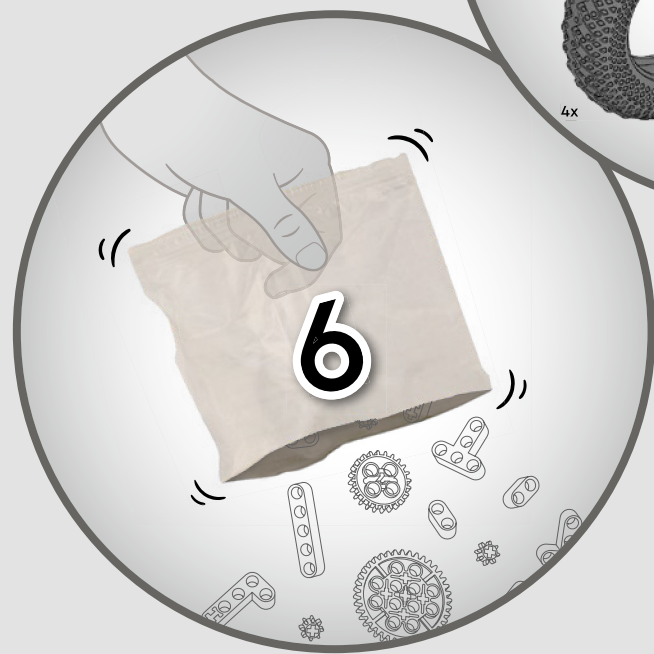
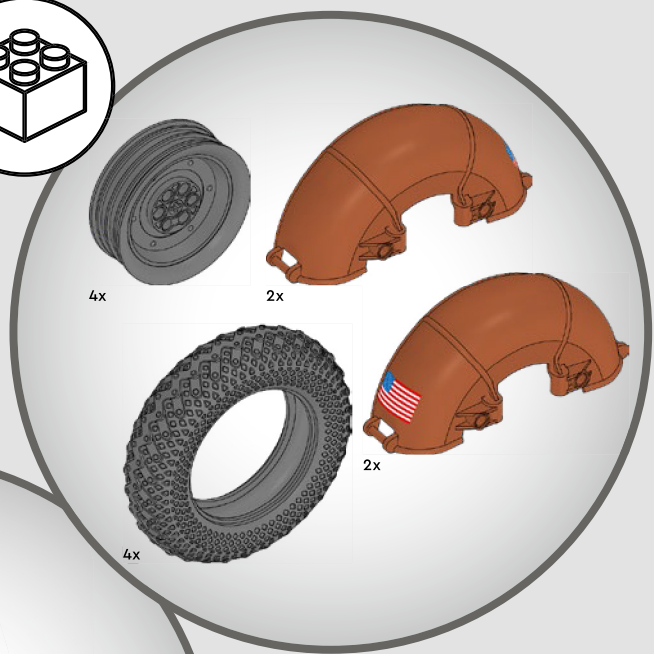
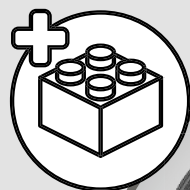


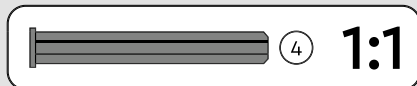
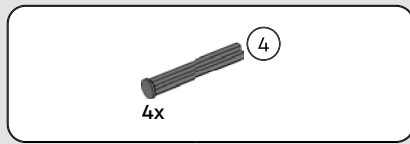
137



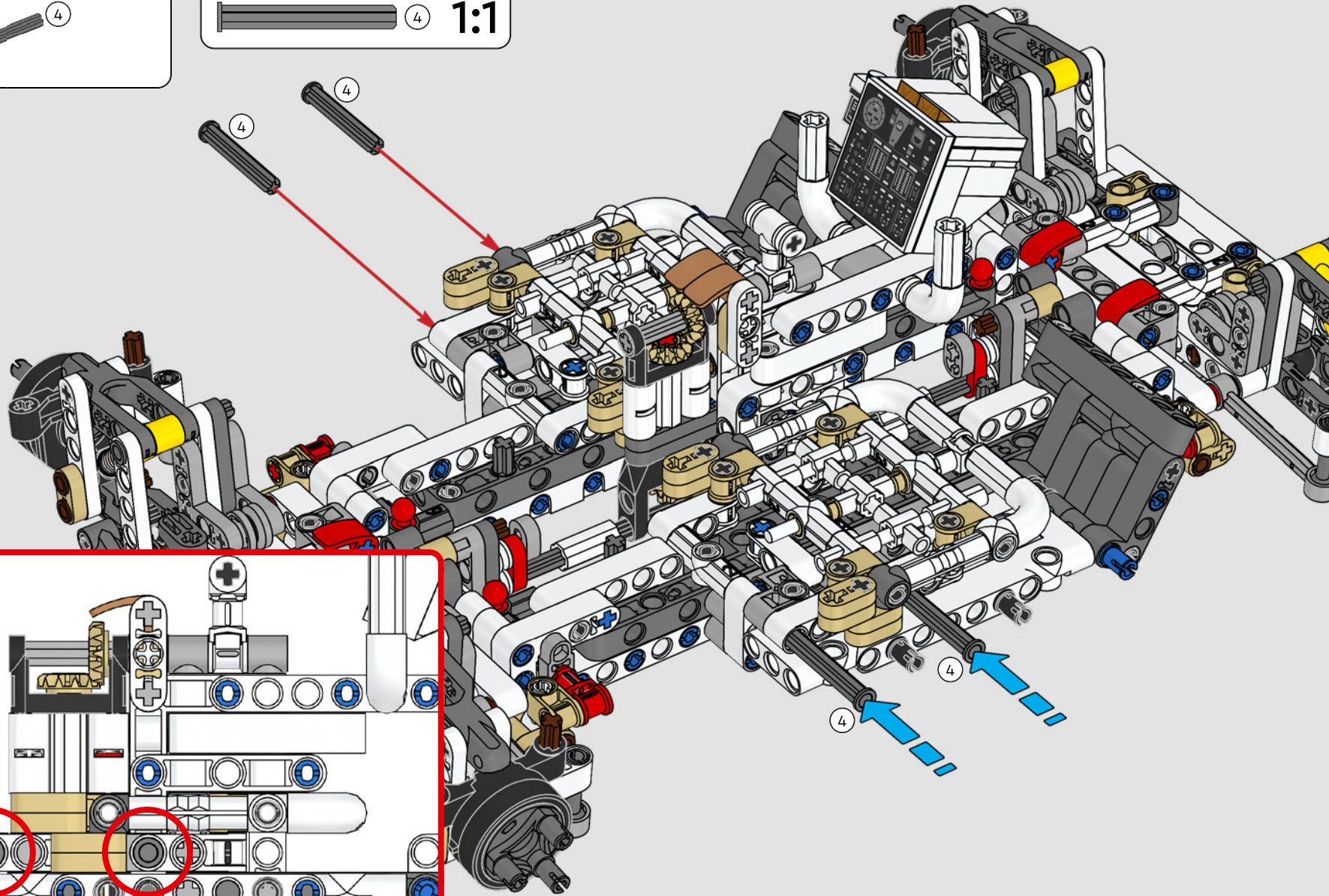
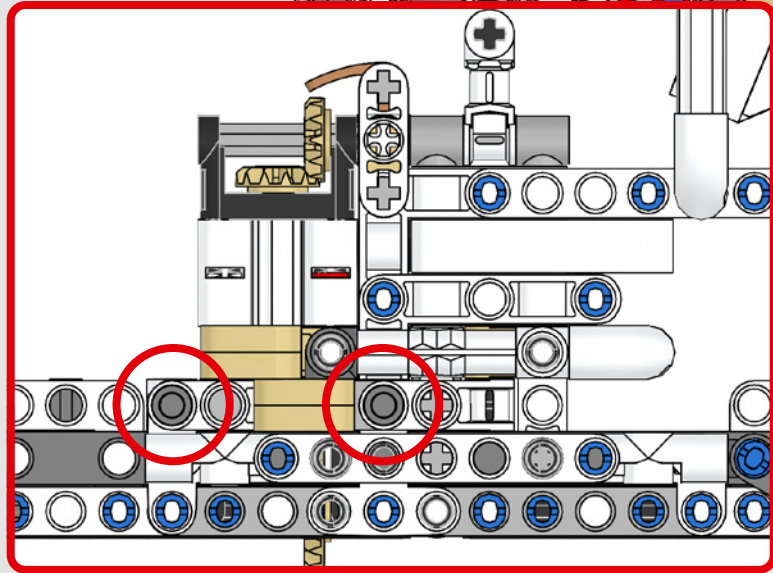
138



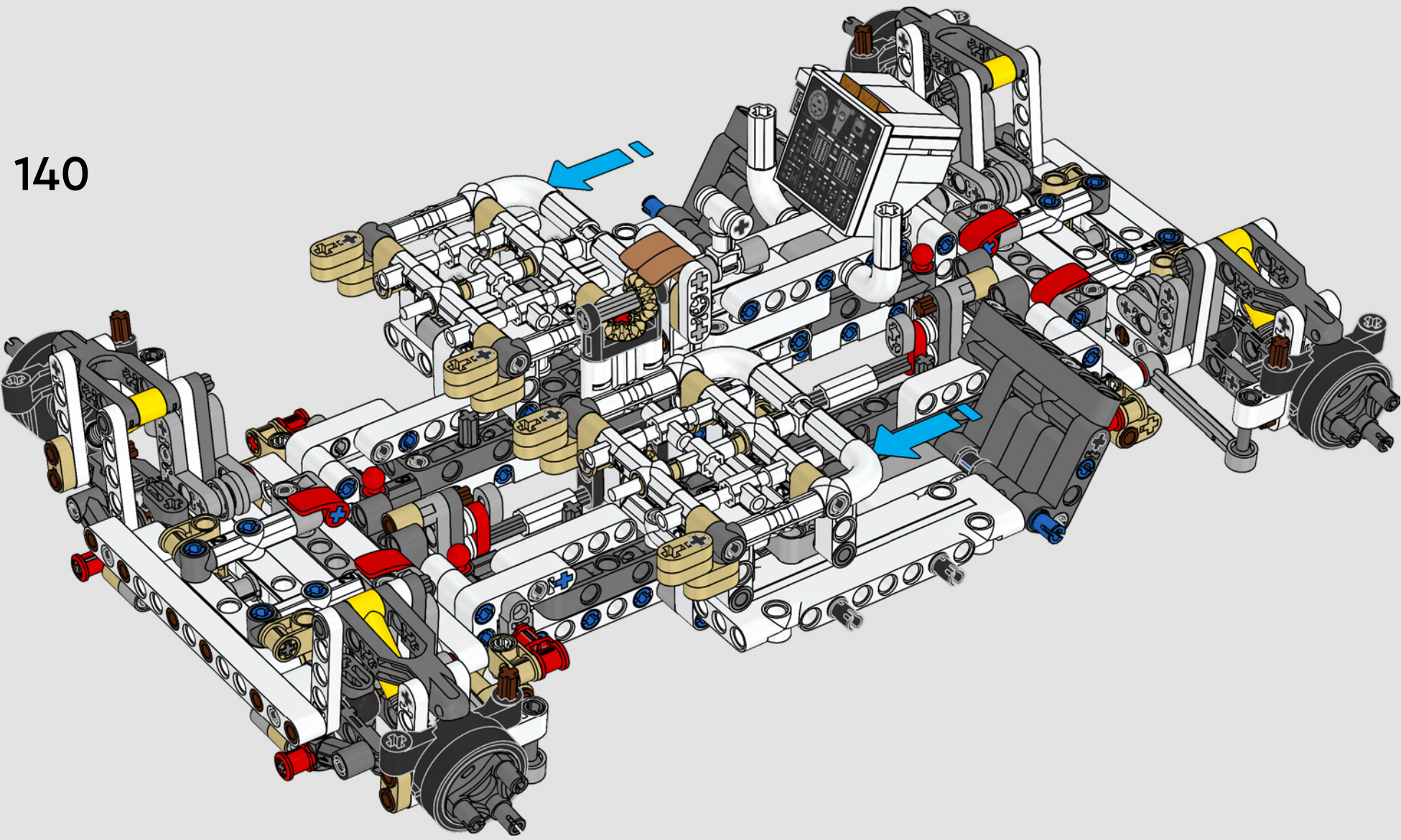


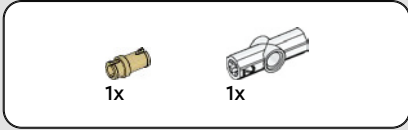
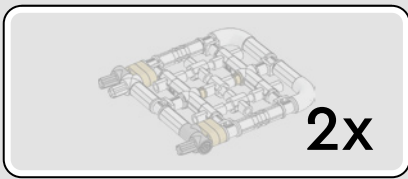


139

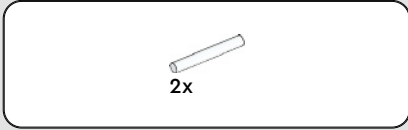
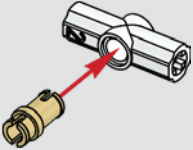


140

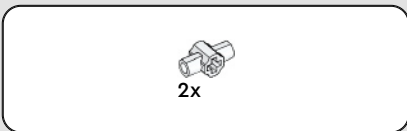
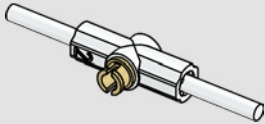




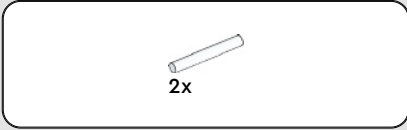
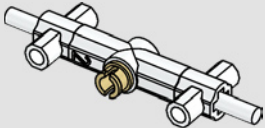
141



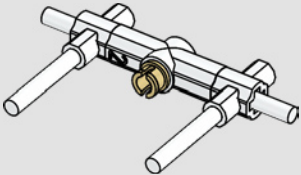
142

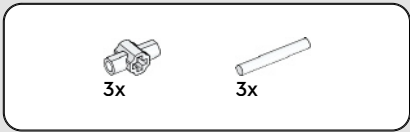


143

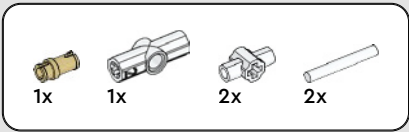
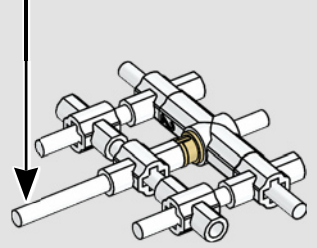
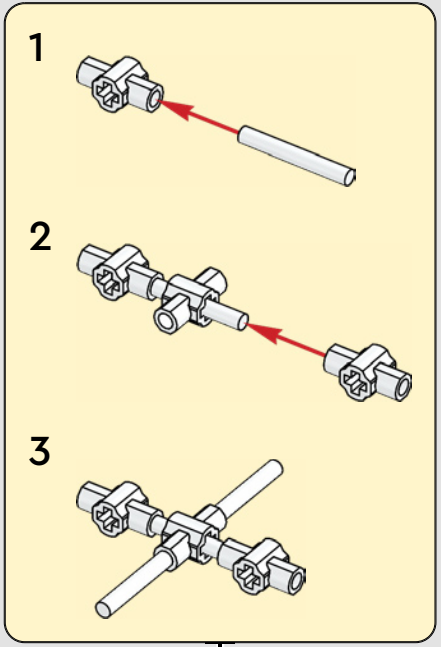


144

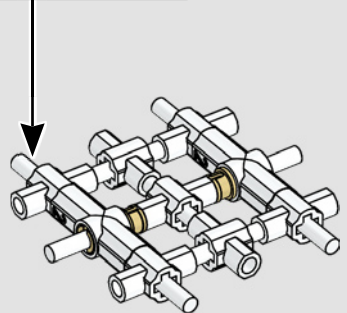
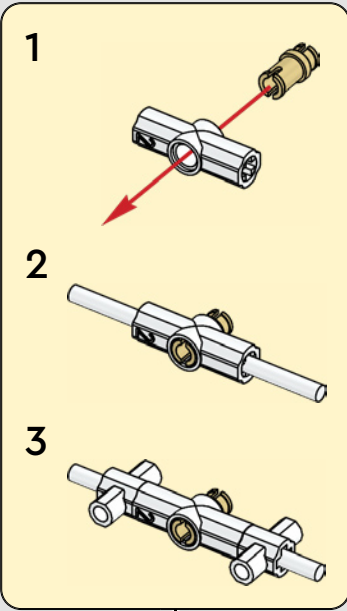


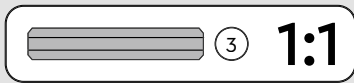
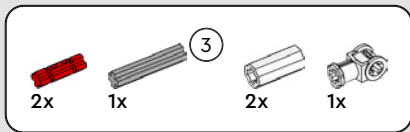


145

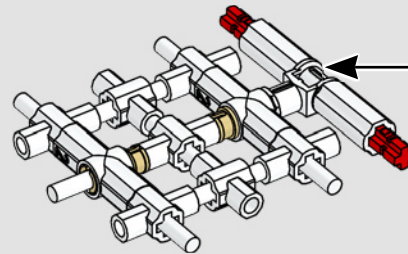
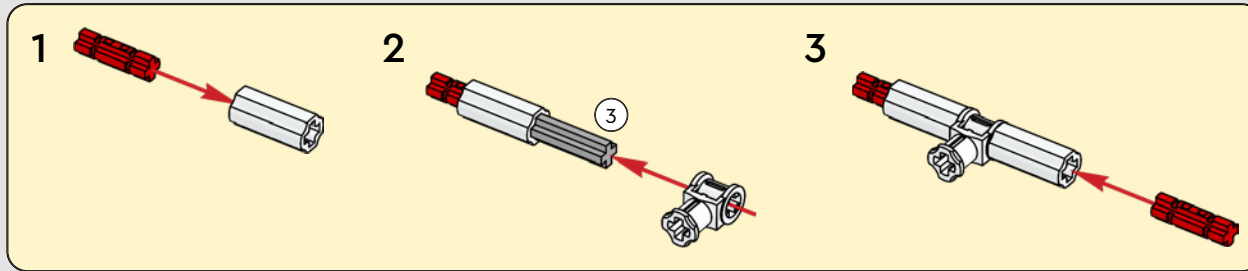


146

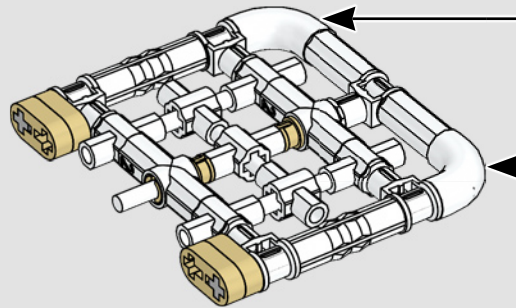
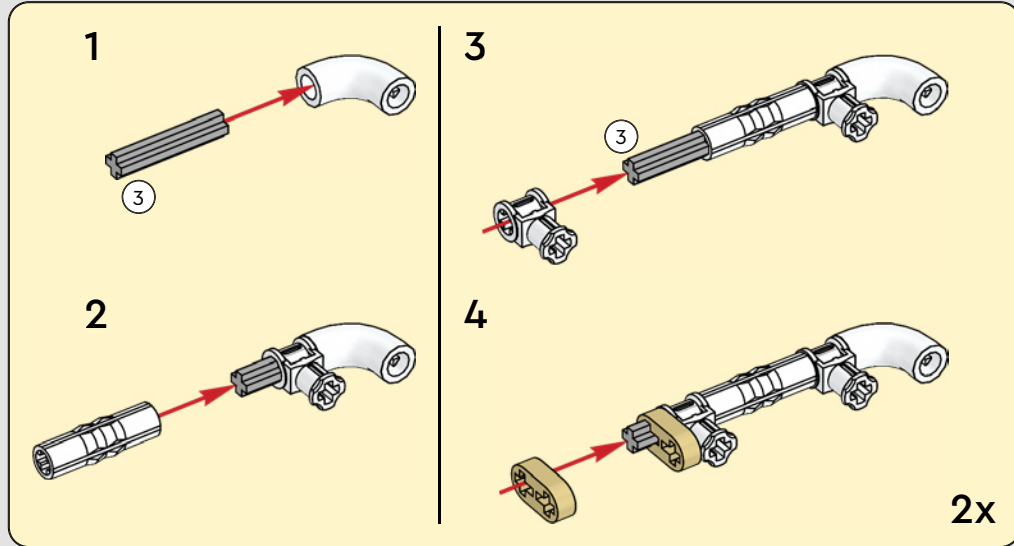
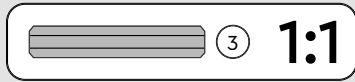
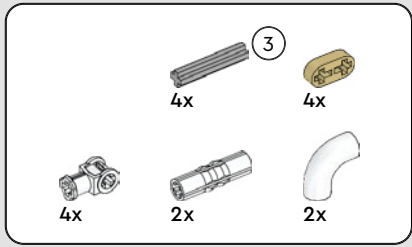


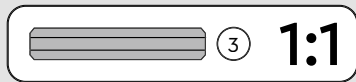
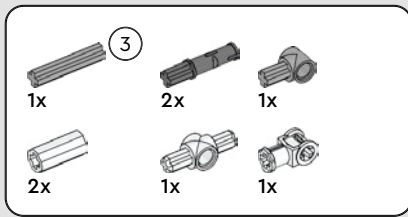


147

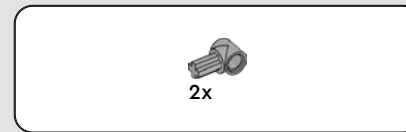
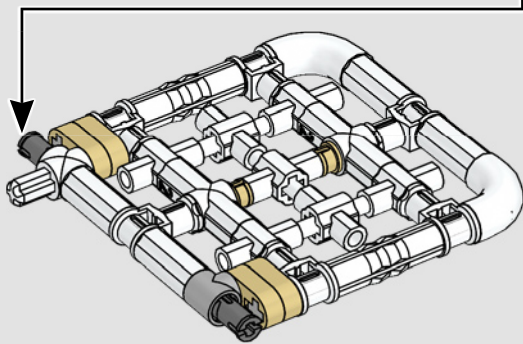
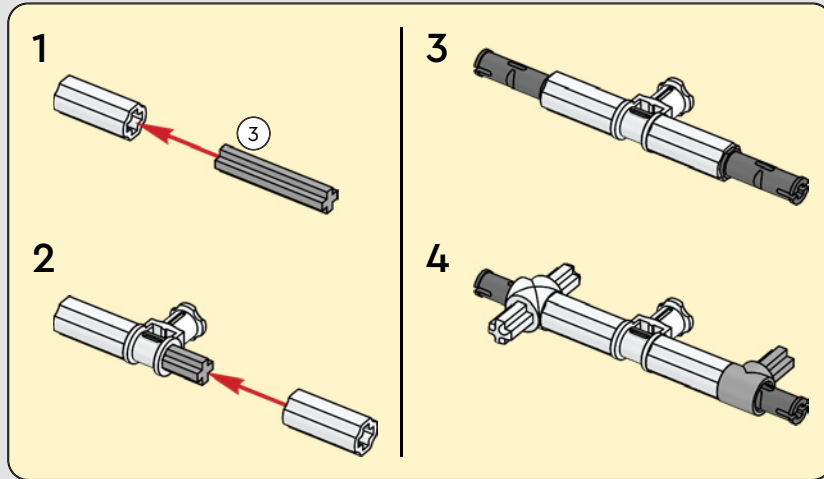


148

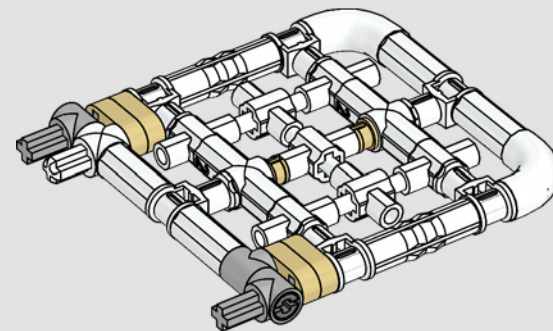




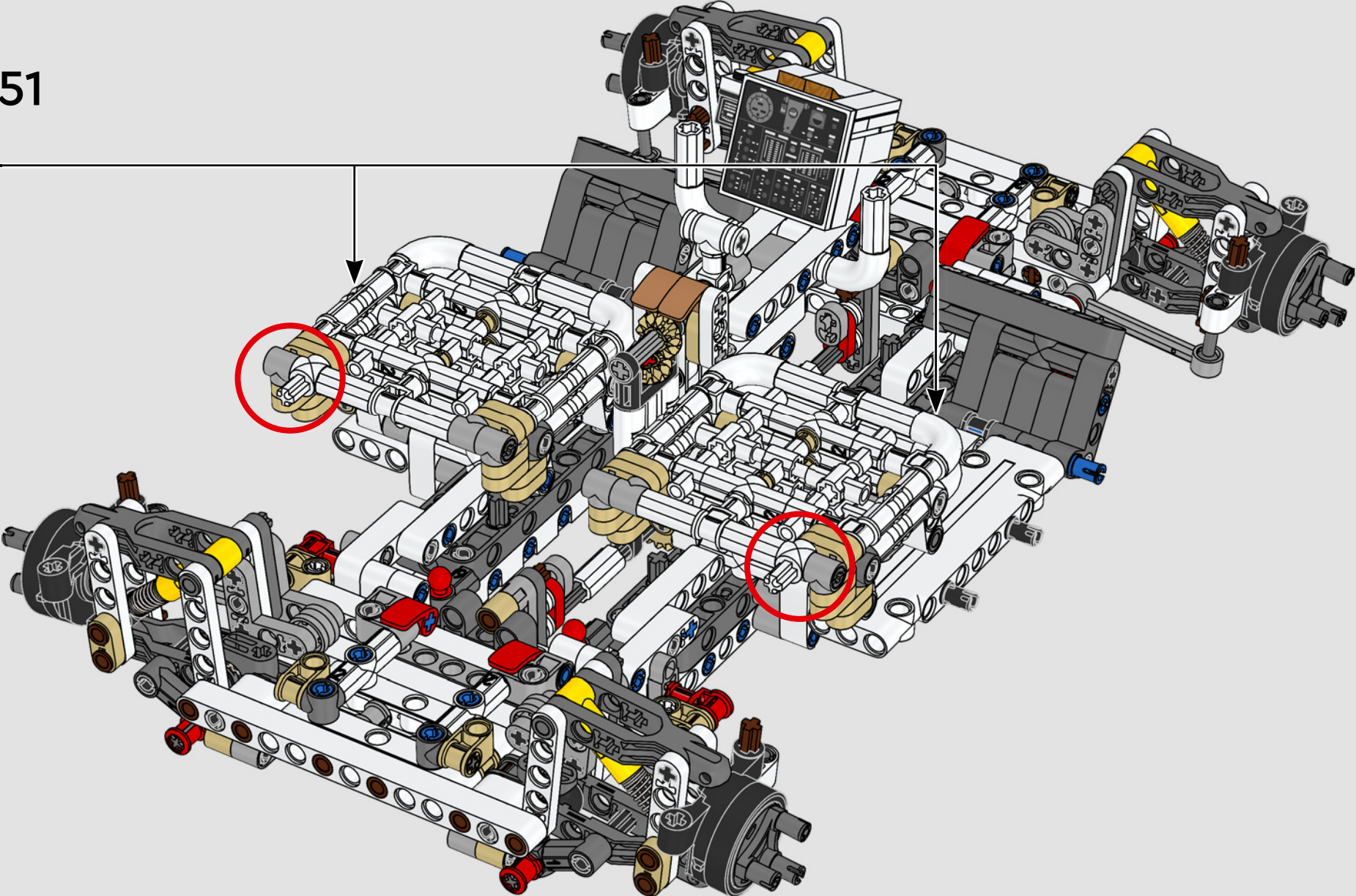
149

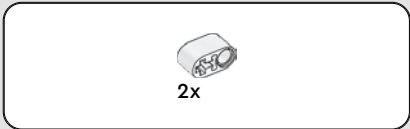


150

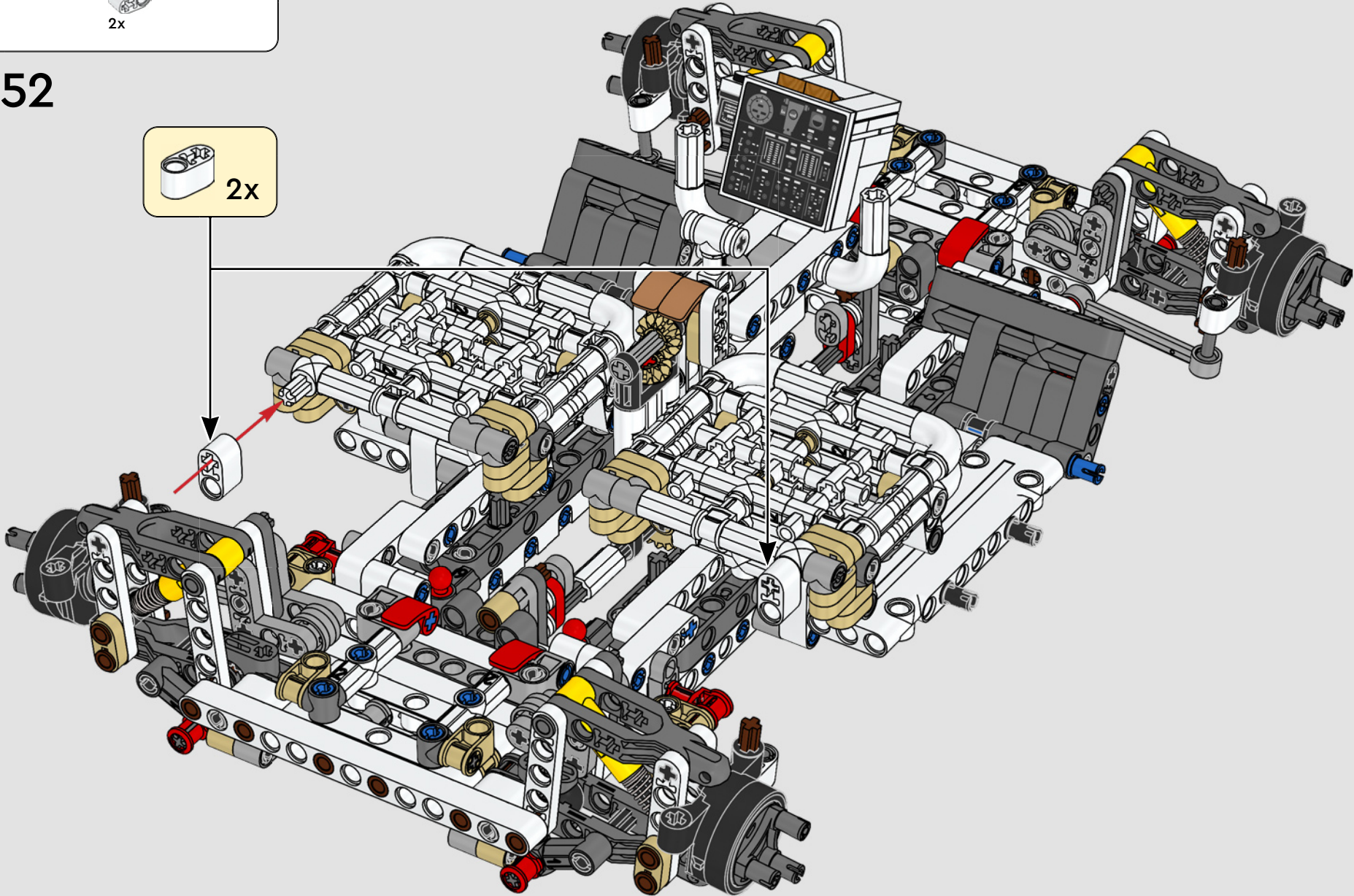
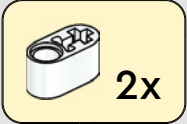


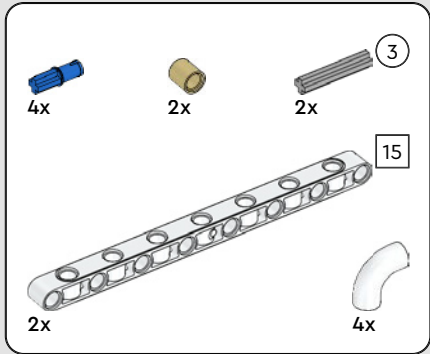
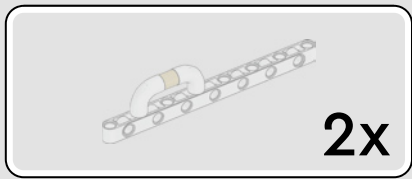
2x



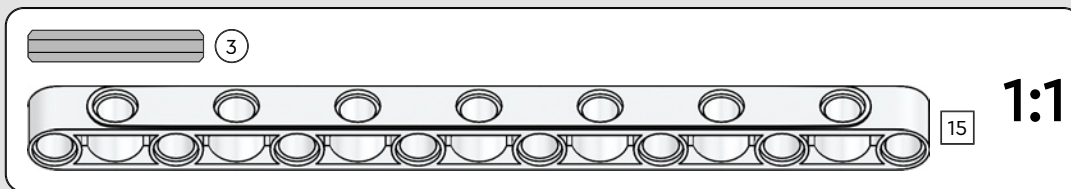
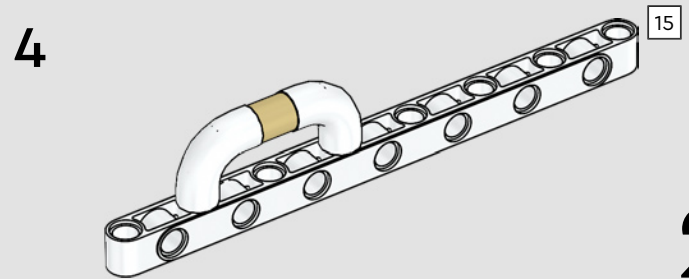
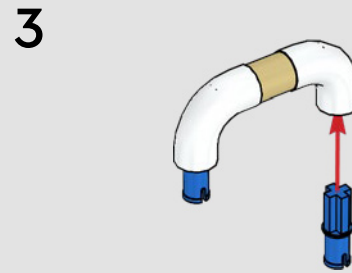
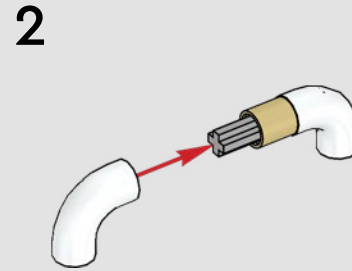
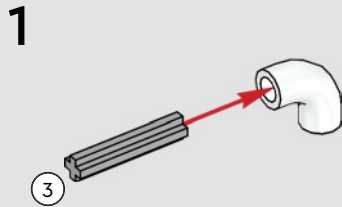


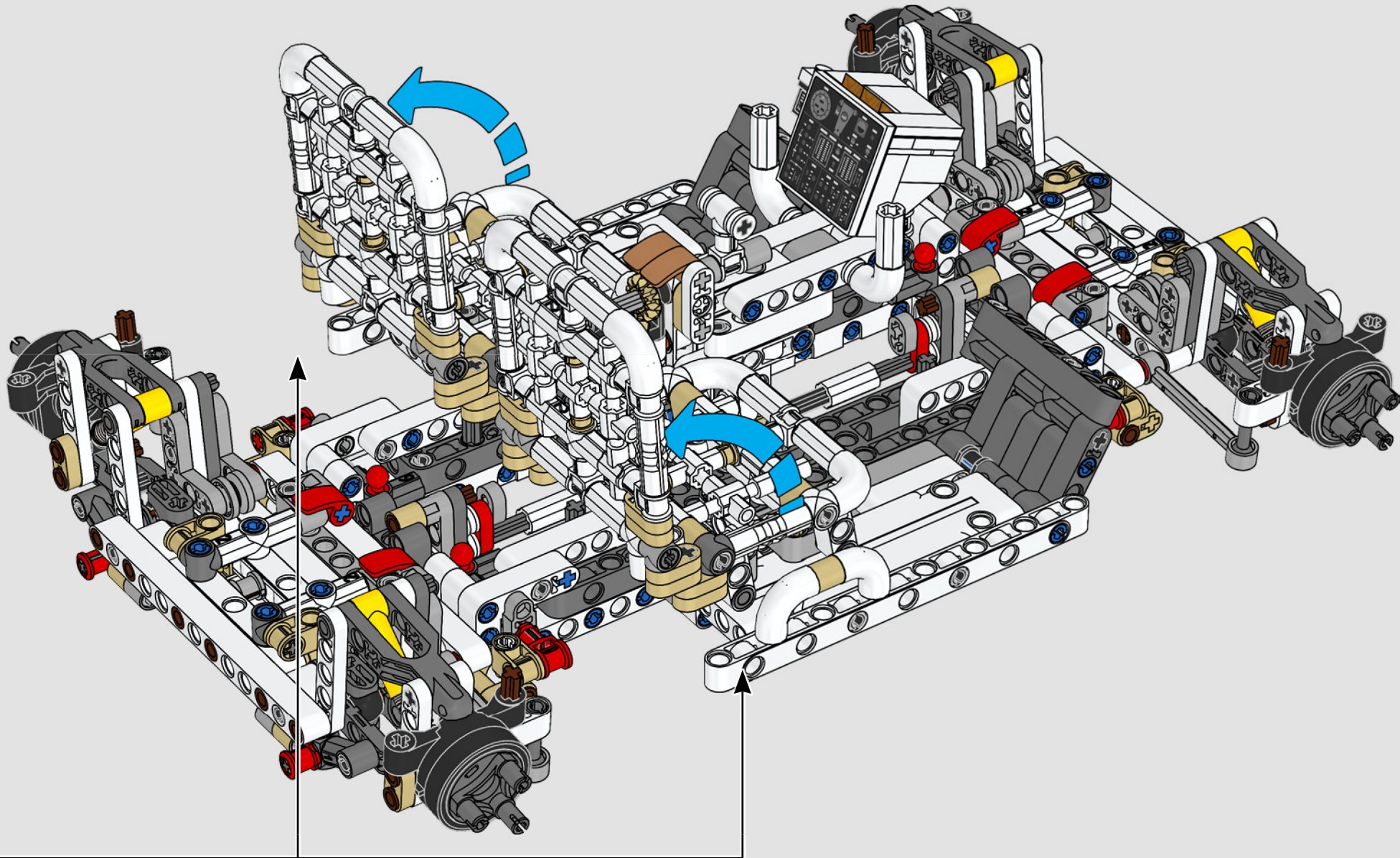
152





153





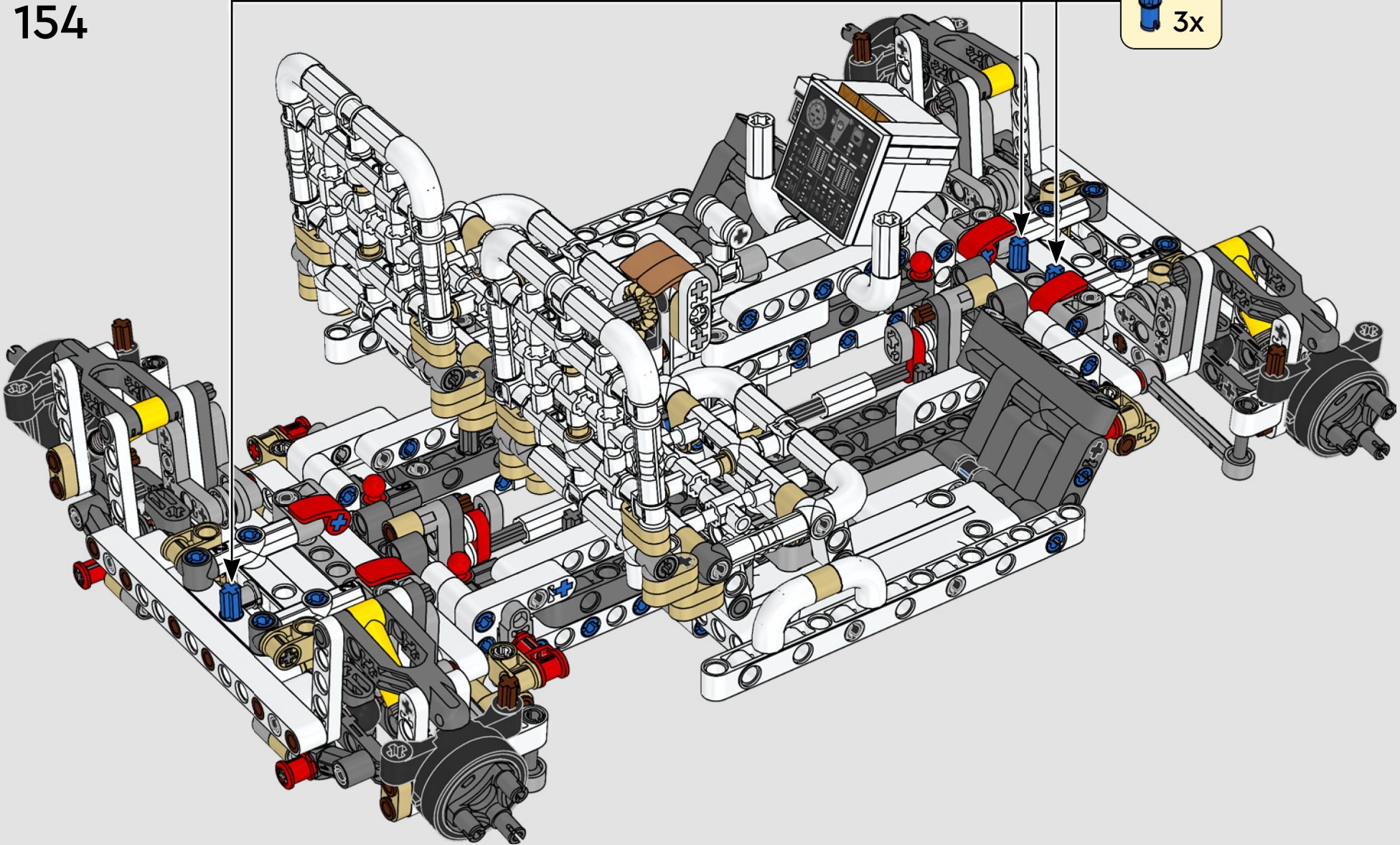


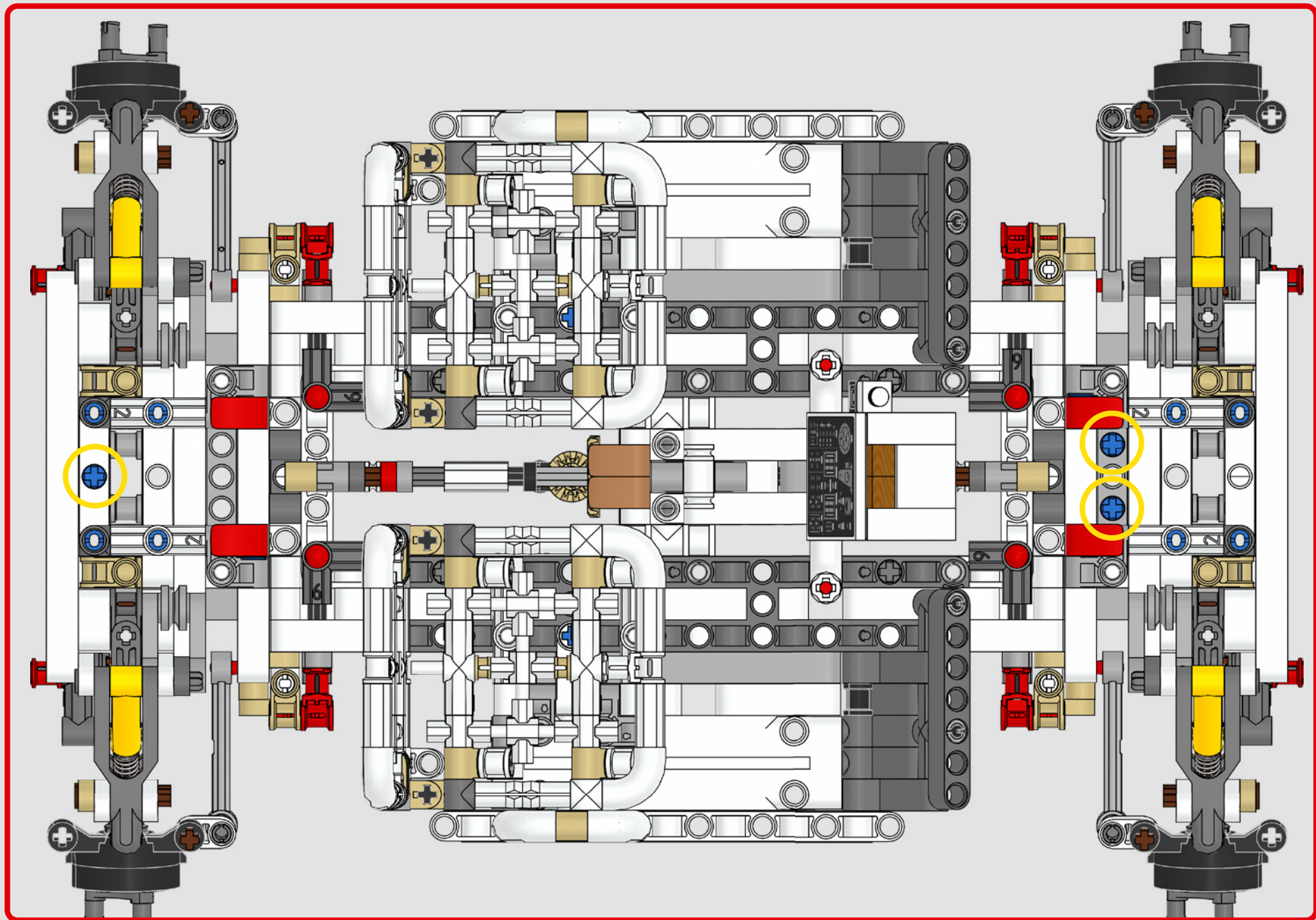
3x

154

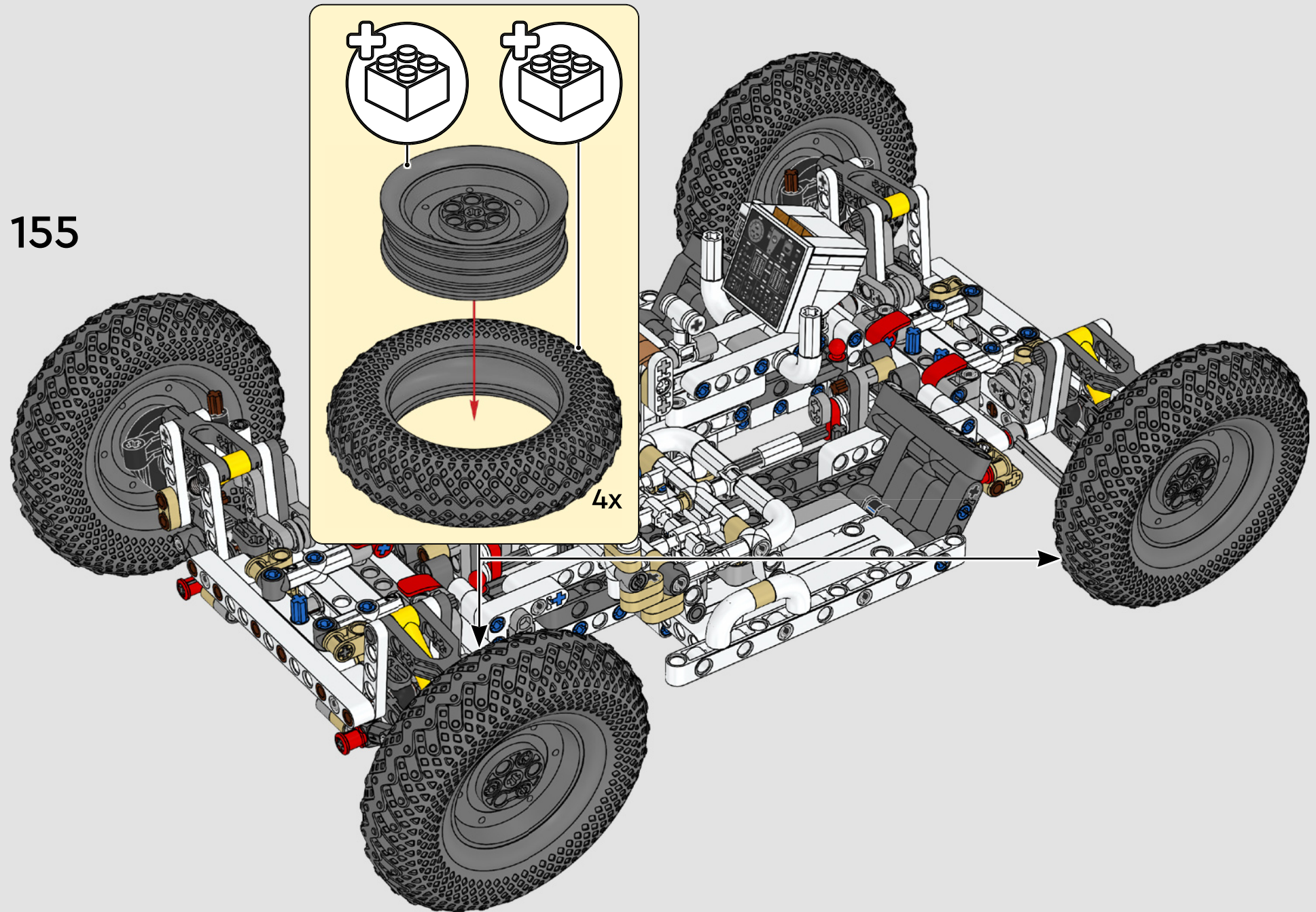


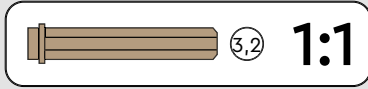
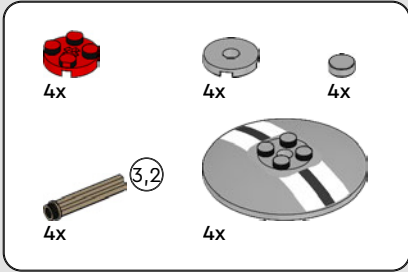
3x



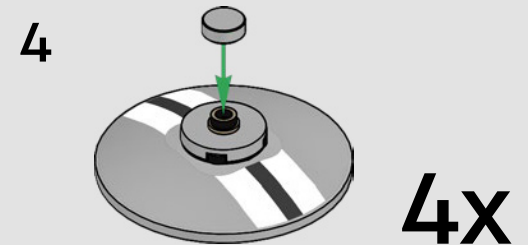
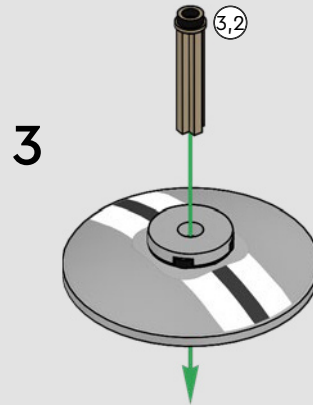
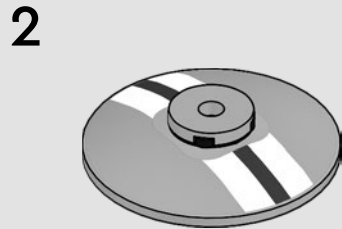
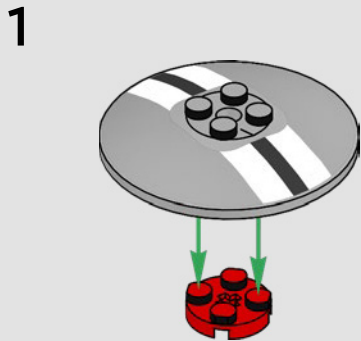


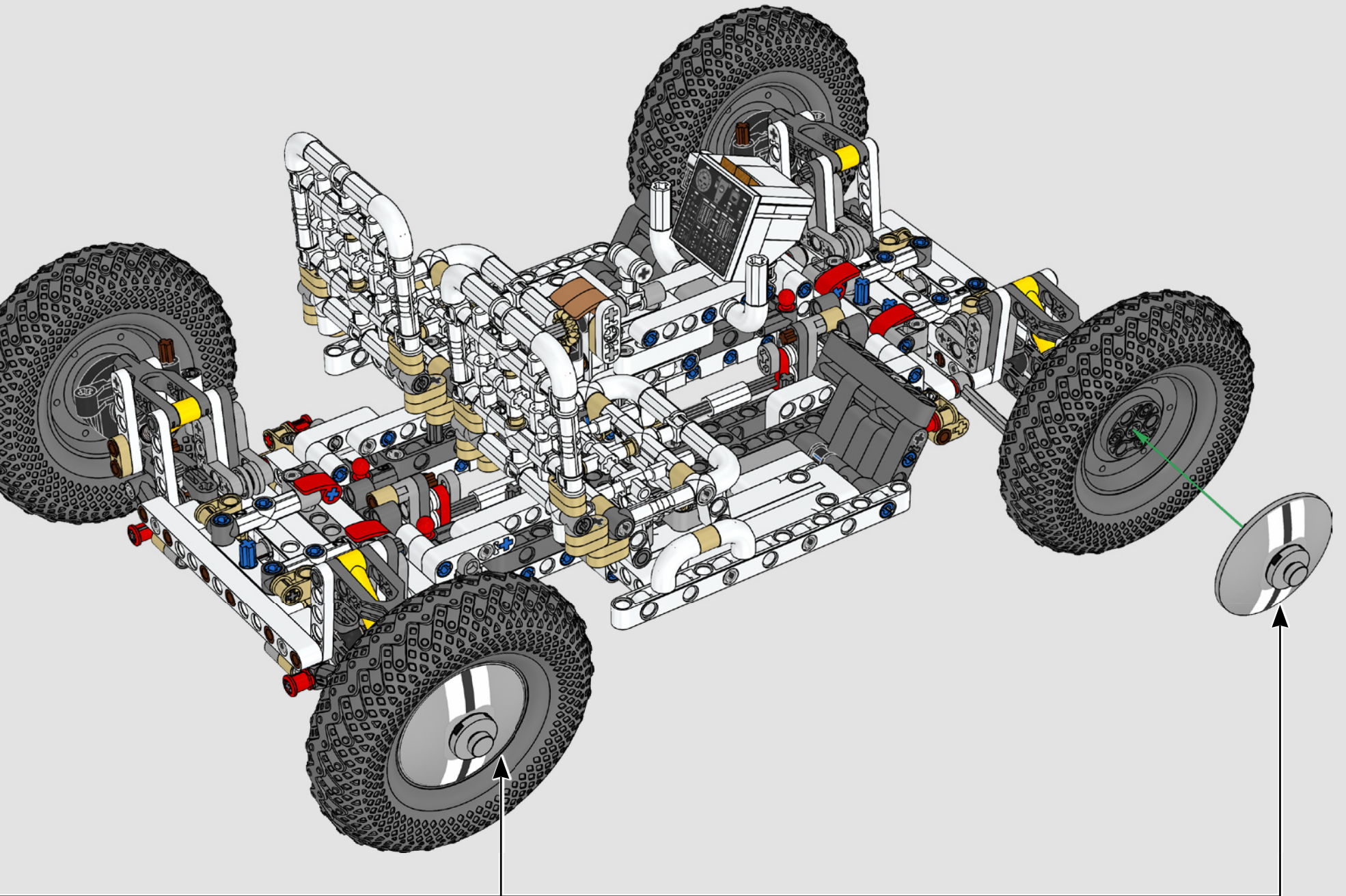
155

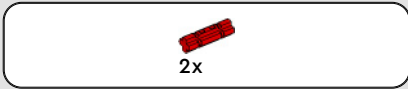




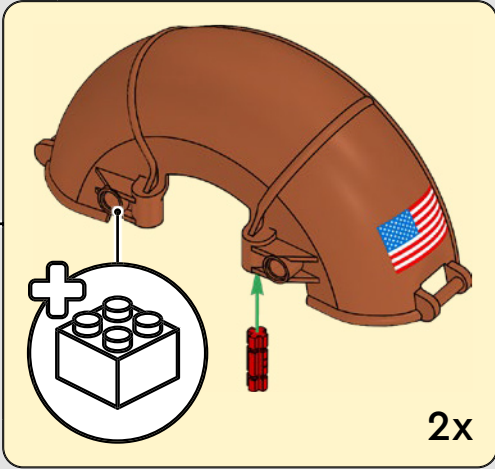
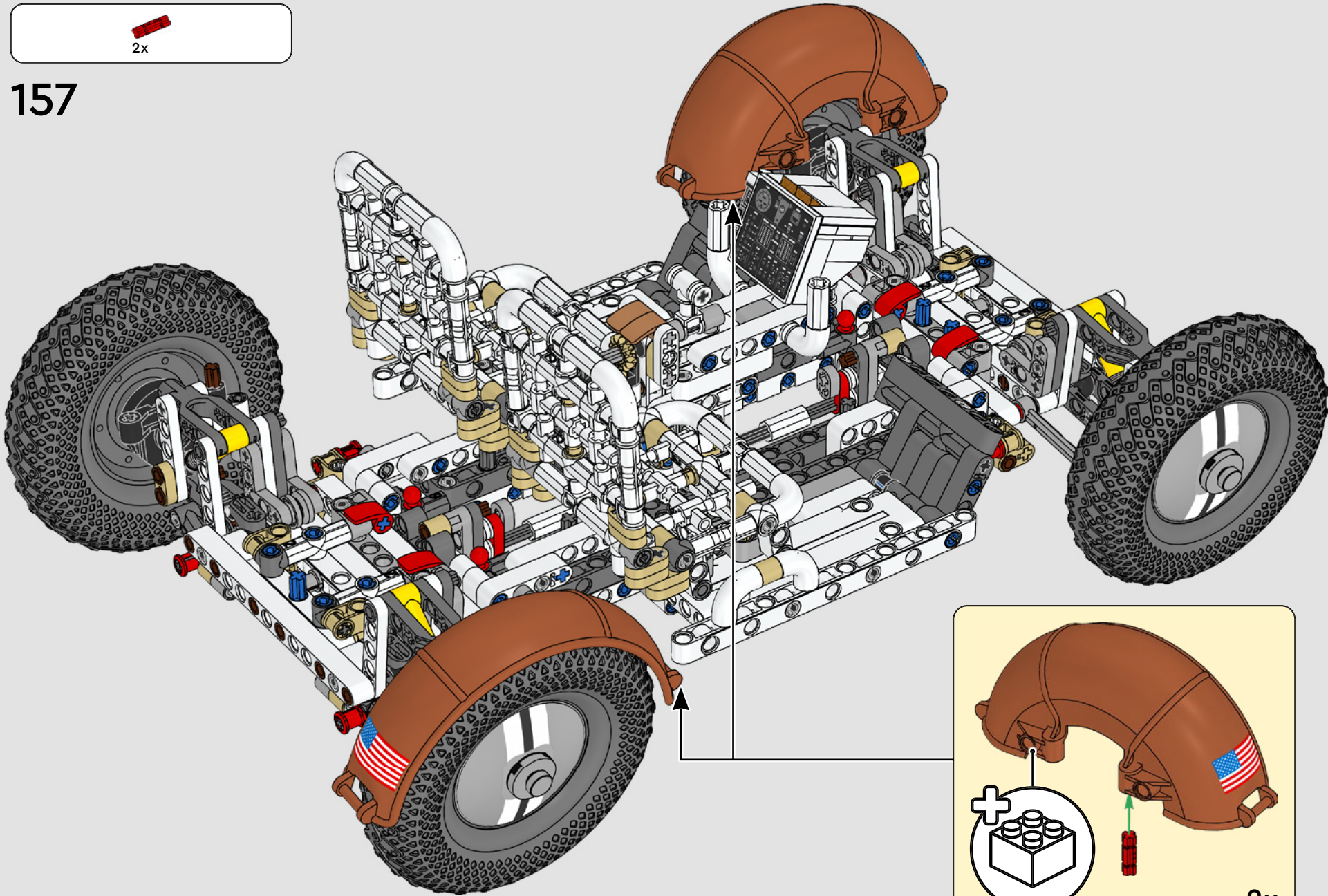
156





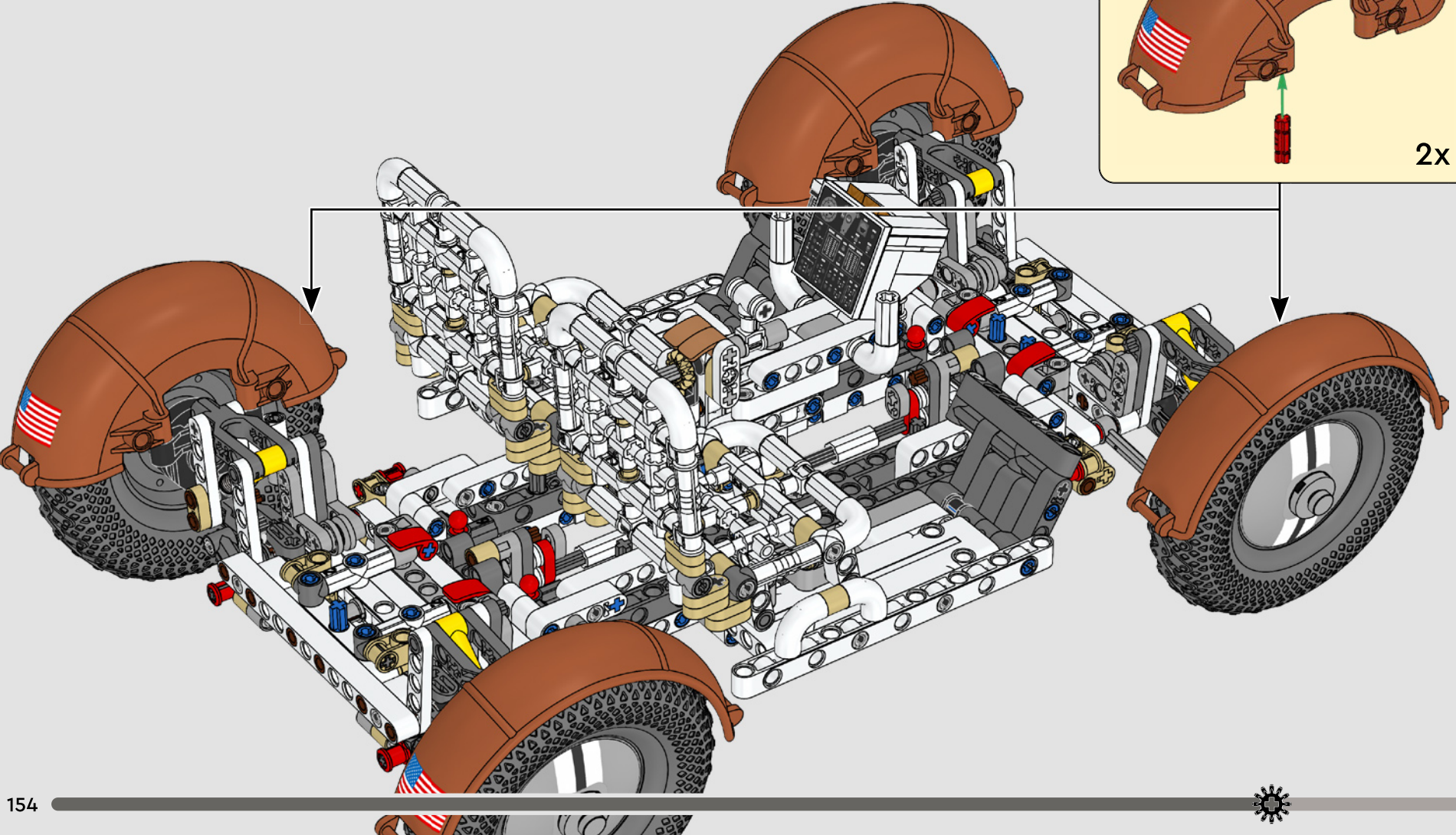
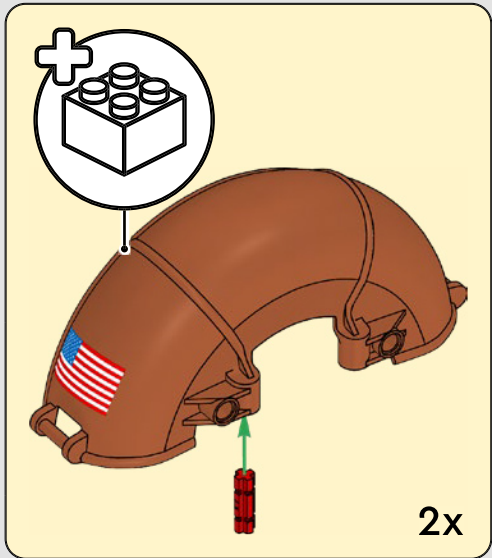


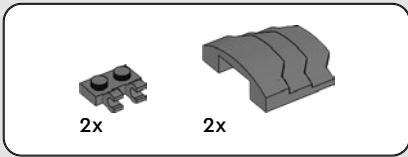
157



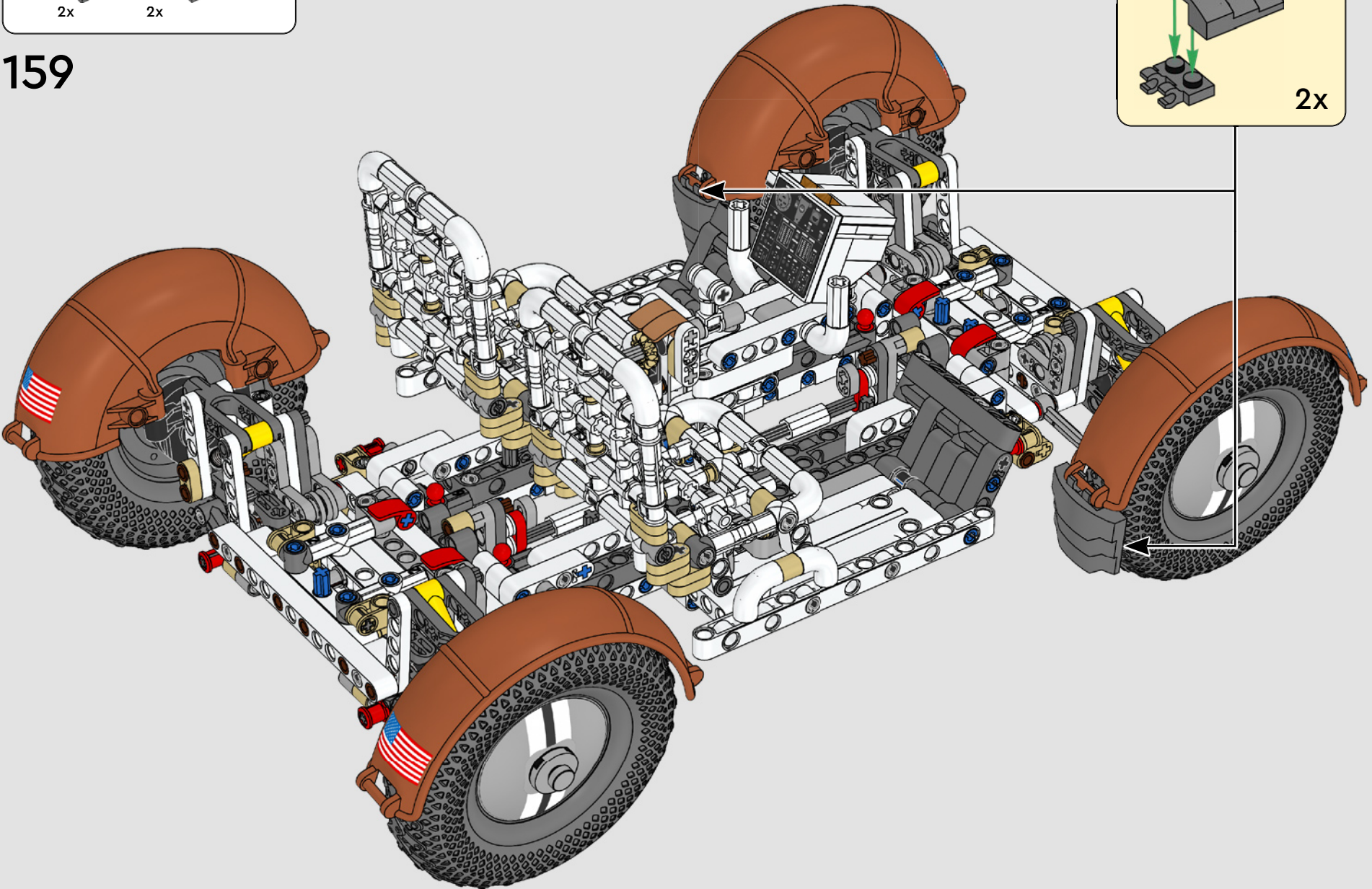
2x

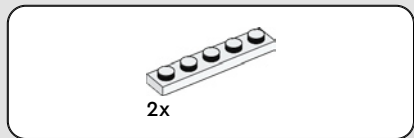
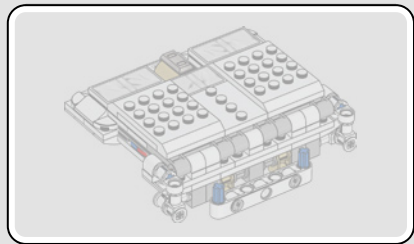
158





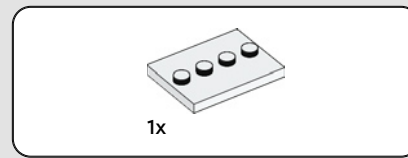
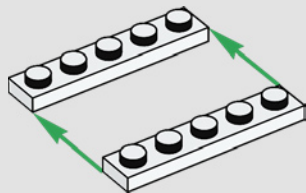
159





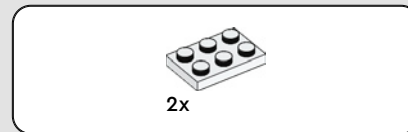
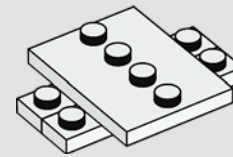
2x

160



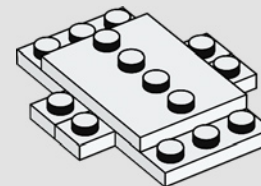
1x

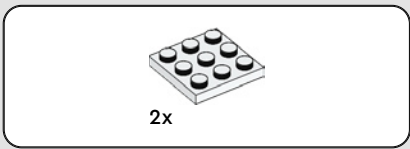
161



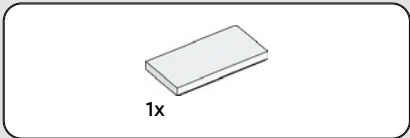
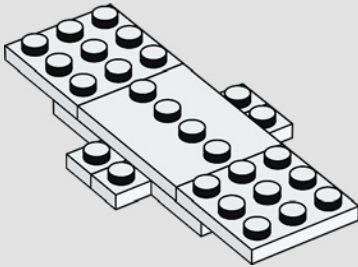
2x

162

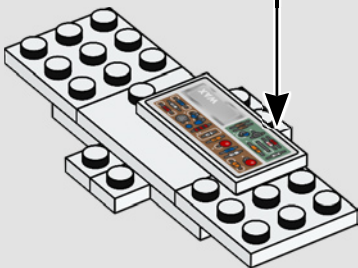
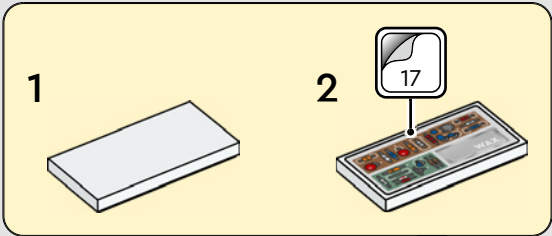




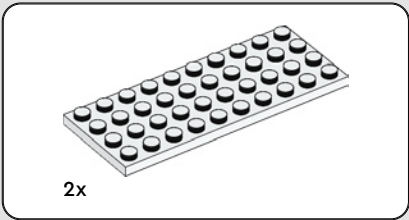
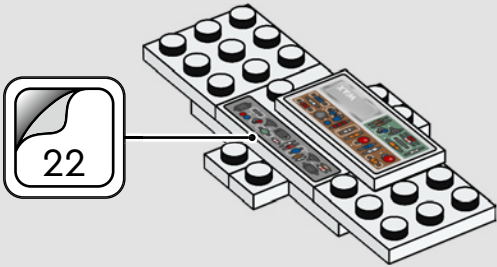
163



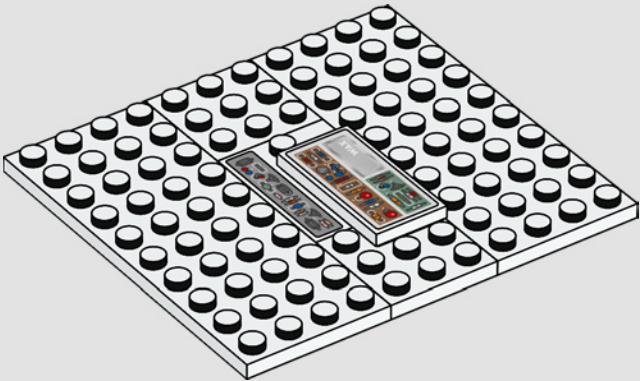
164



165



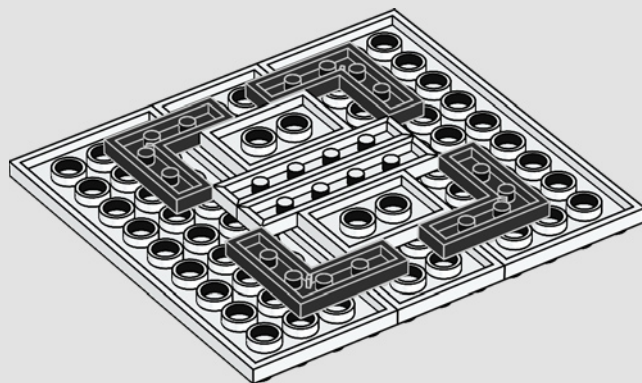
166





4x

167

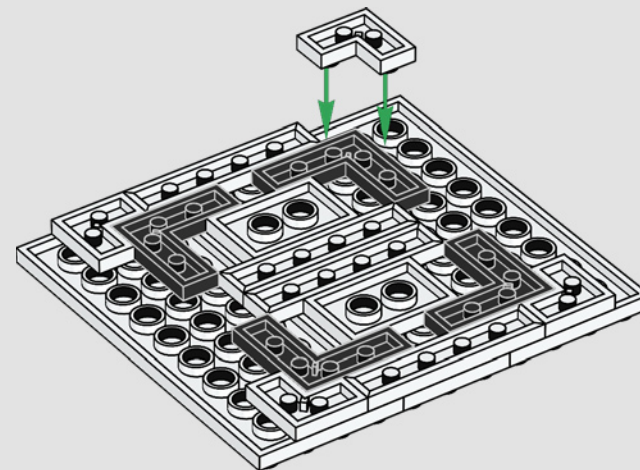


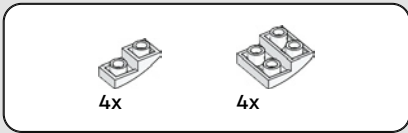
4x



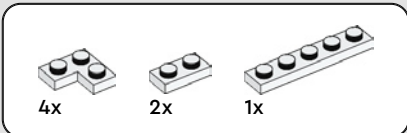
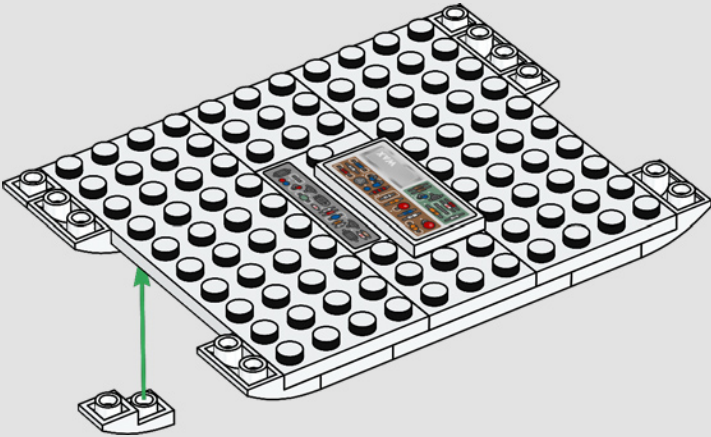
2x

168

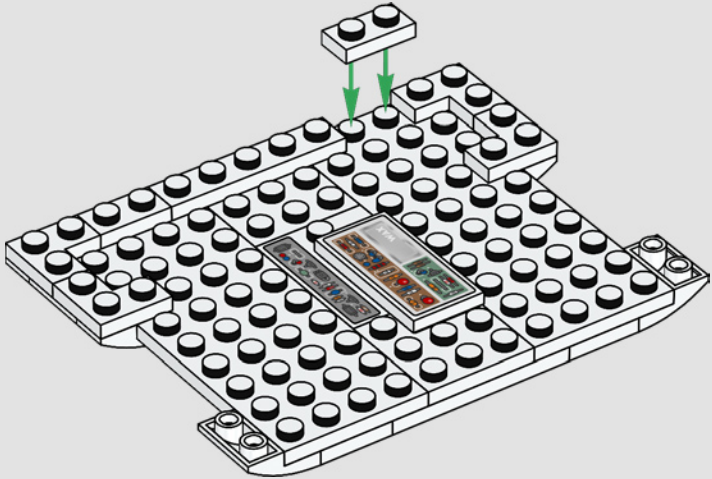


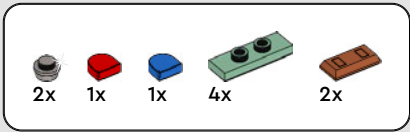


169

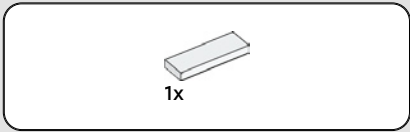
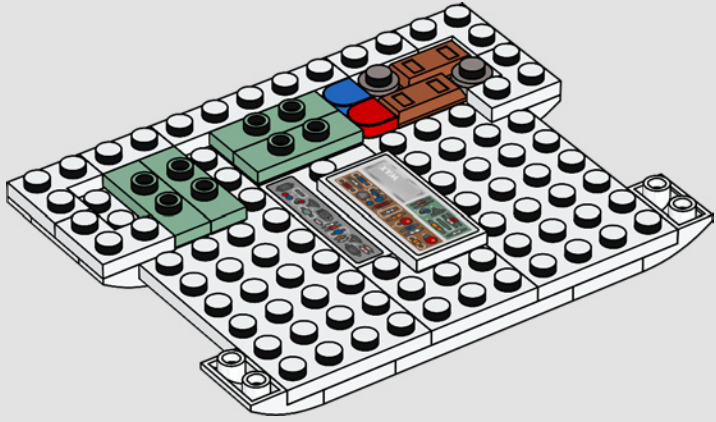


170

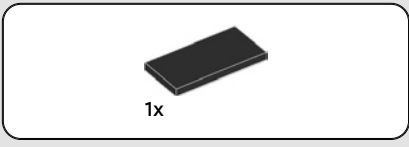
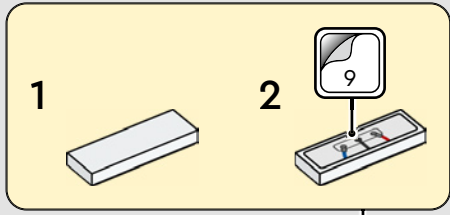
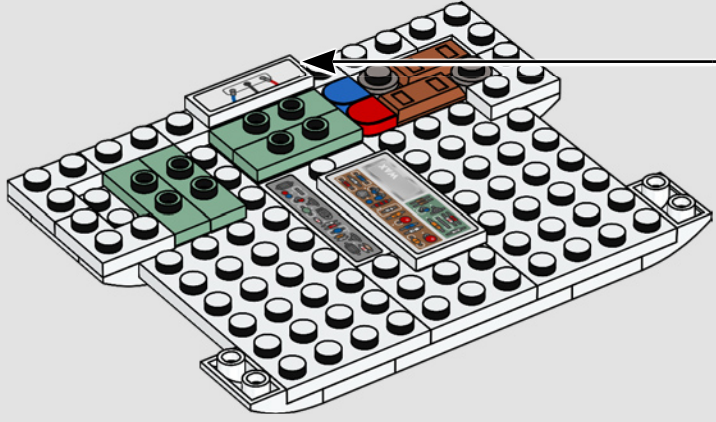




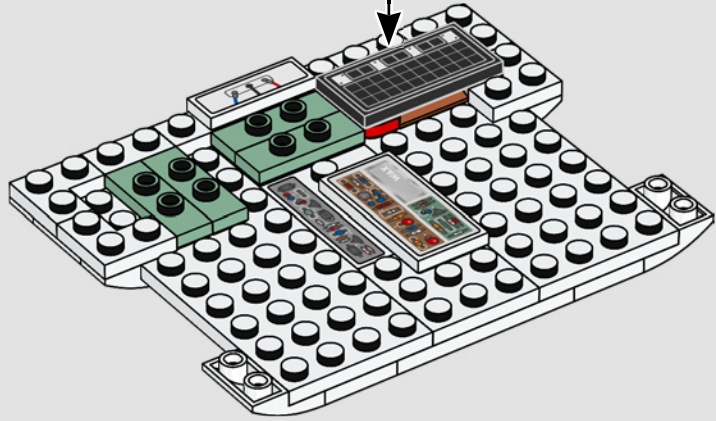
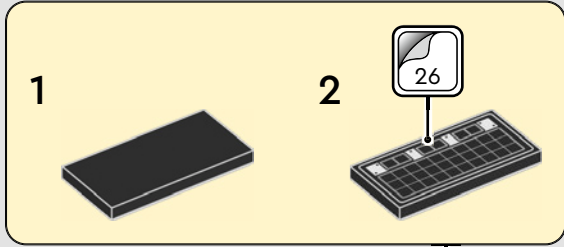
171

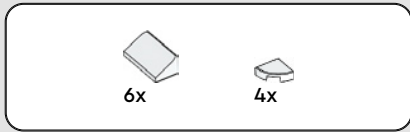


172

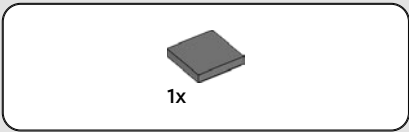
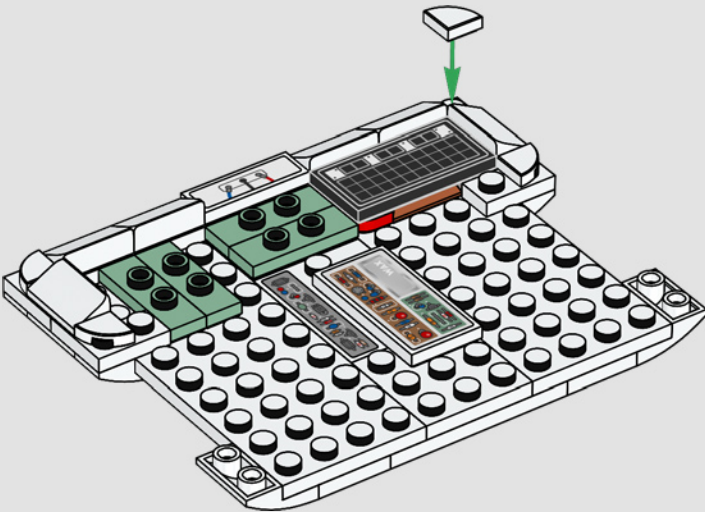


173

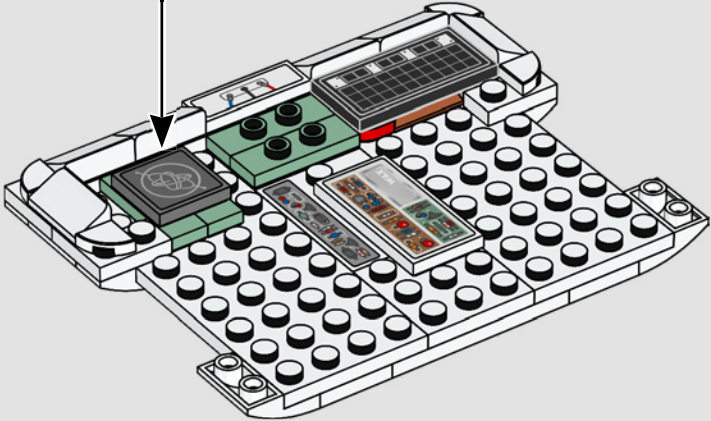
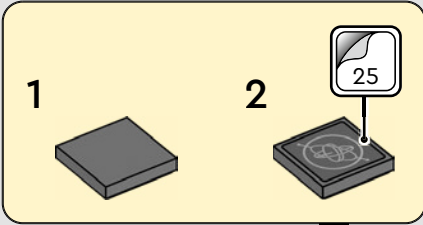


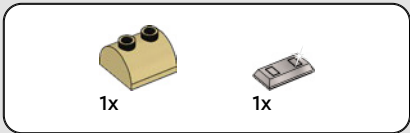


174

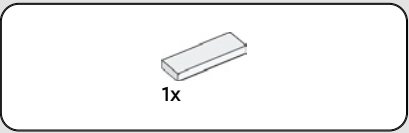
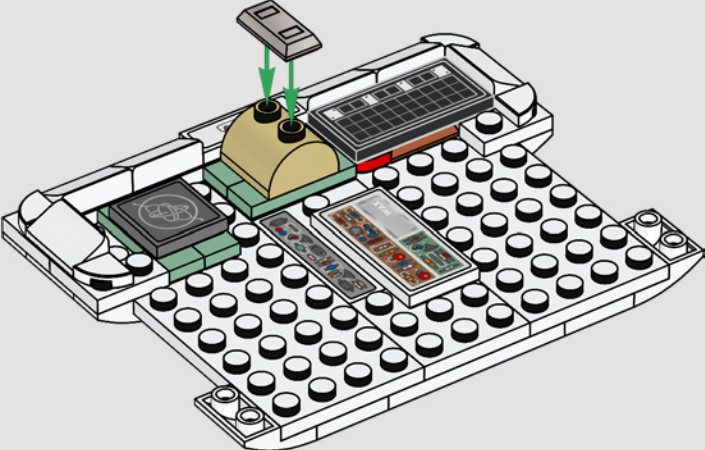


175

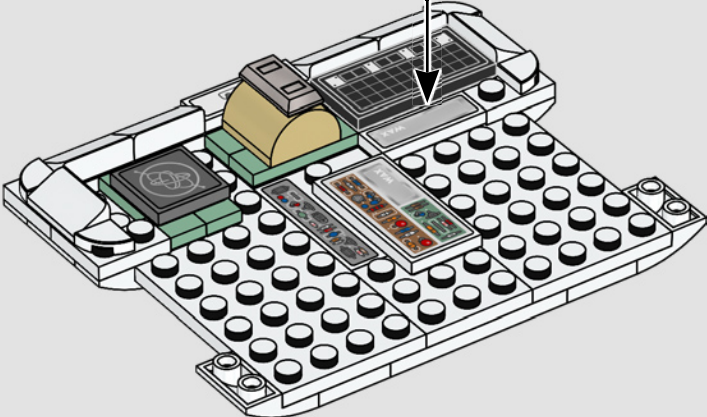
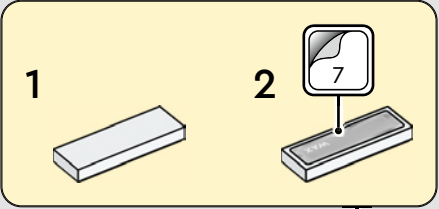


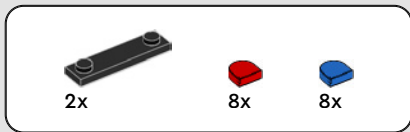


176

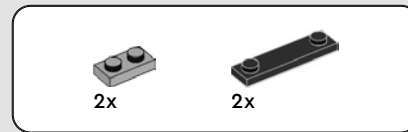
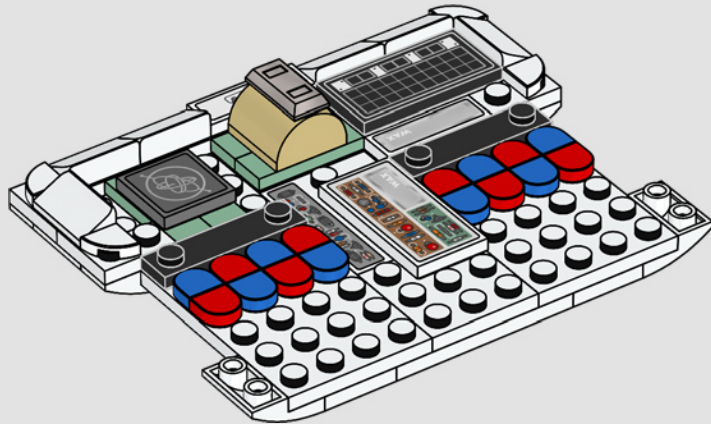


177

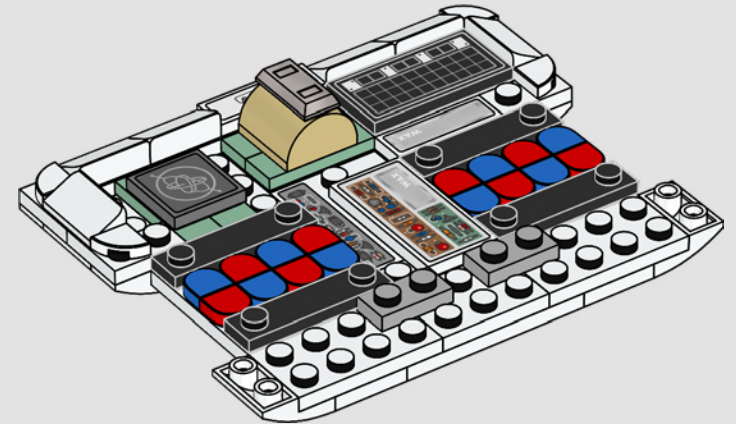


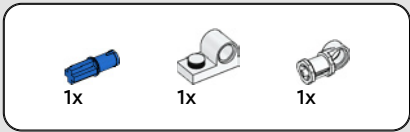


178

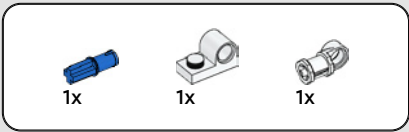
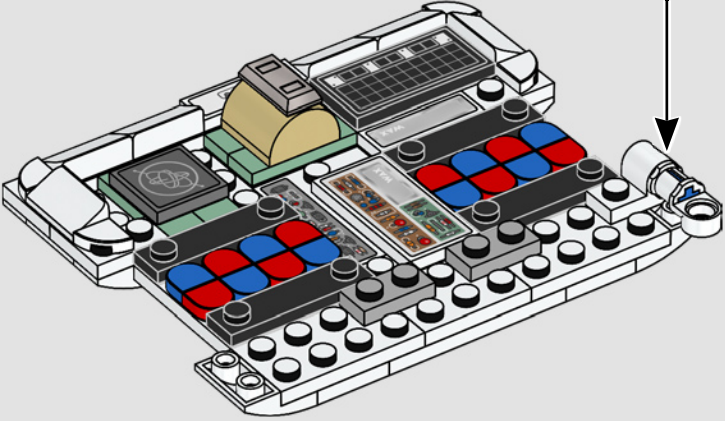
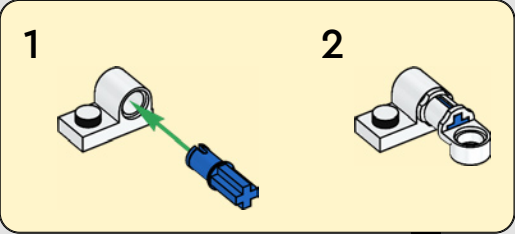


179

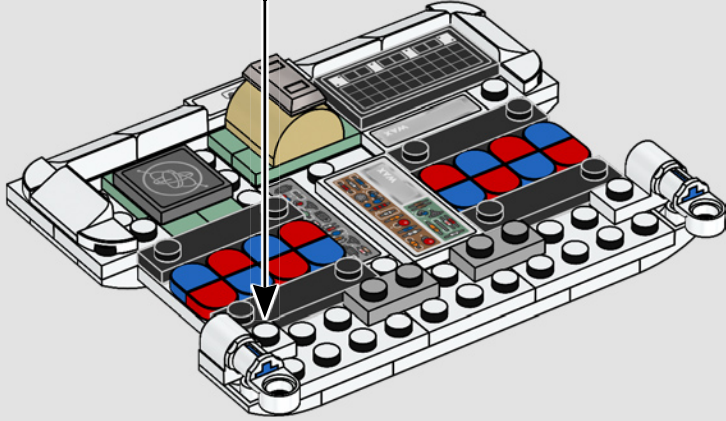
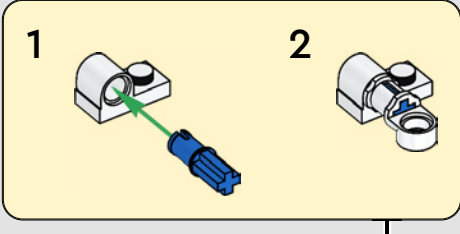


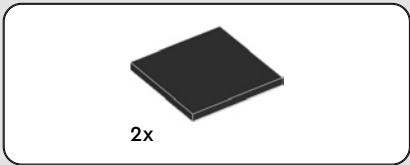


180

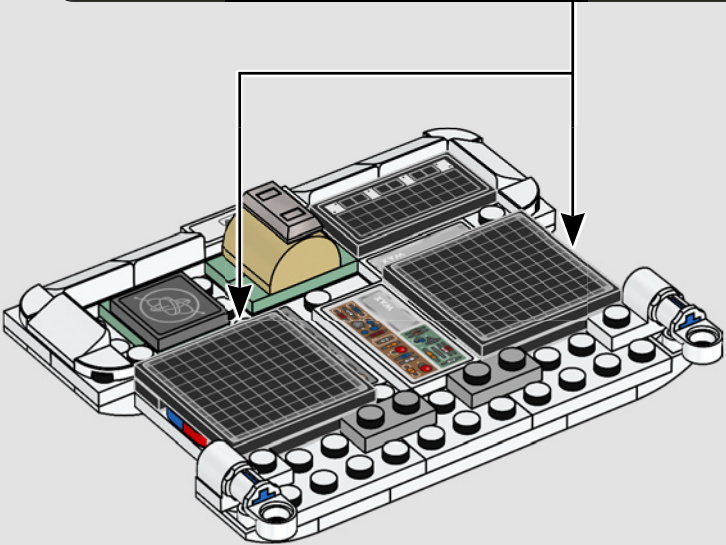
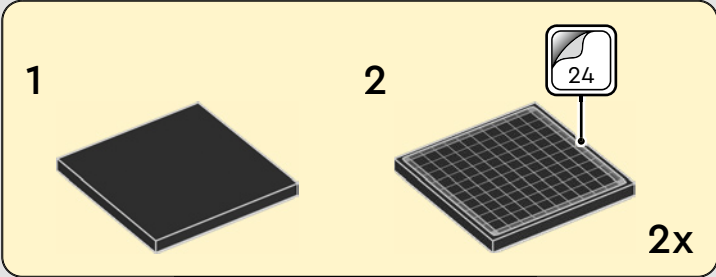


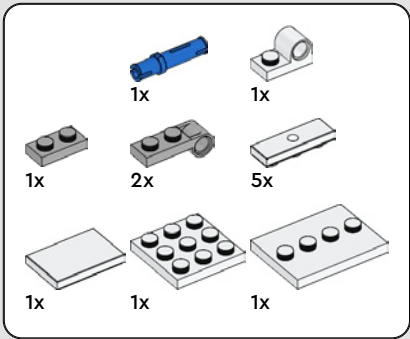
181



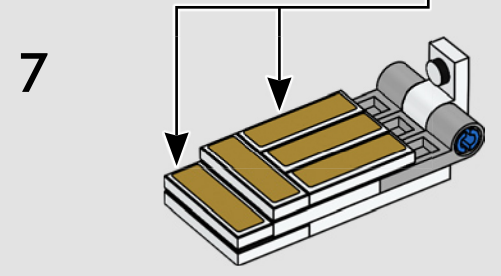
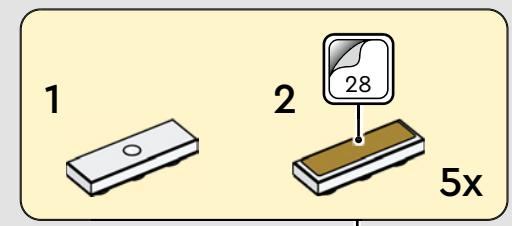
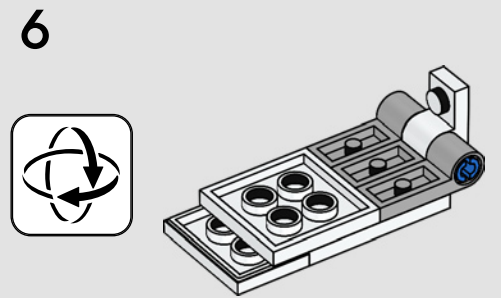
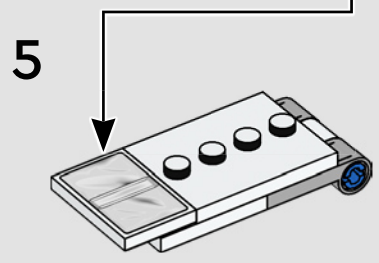
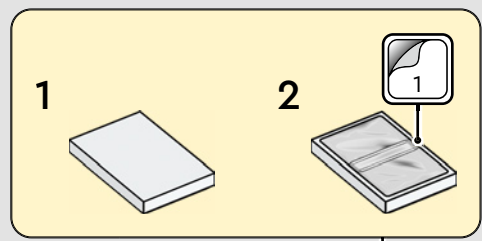
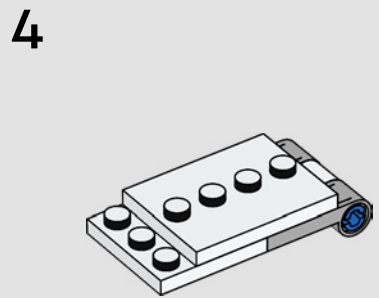
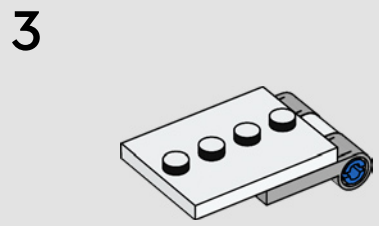
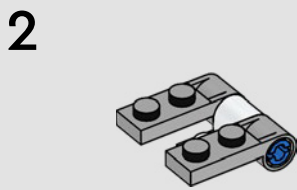
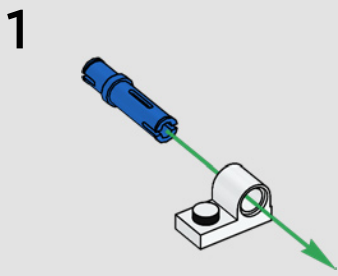


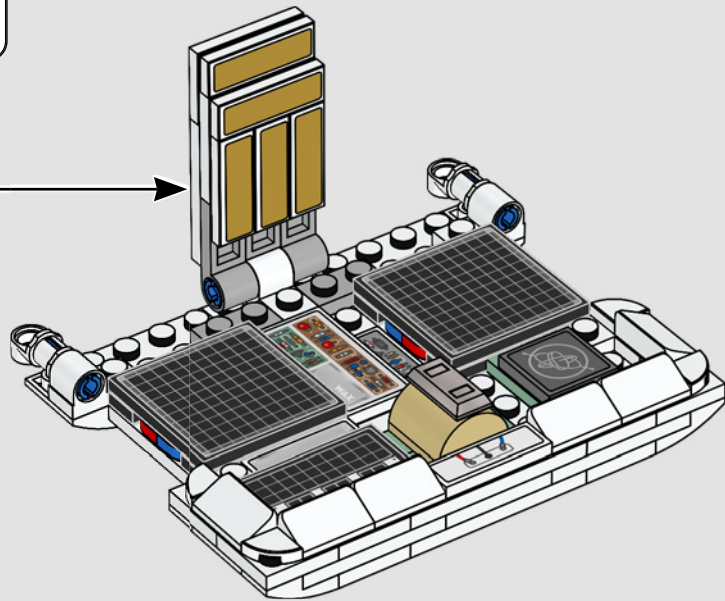
182

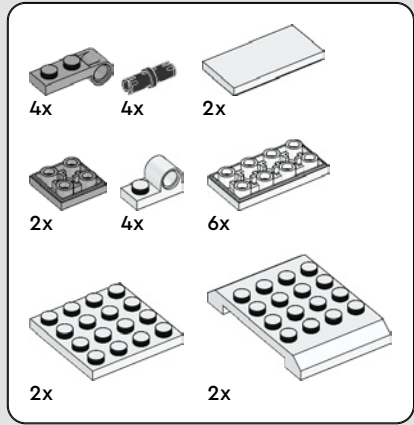
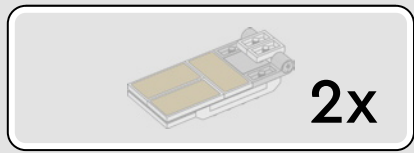




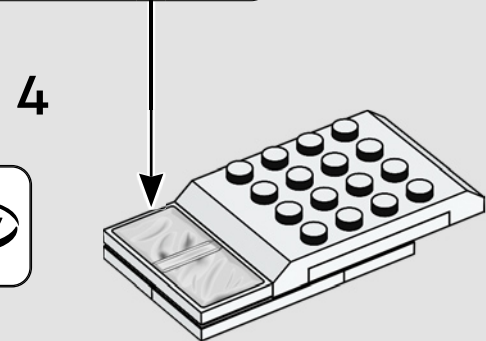
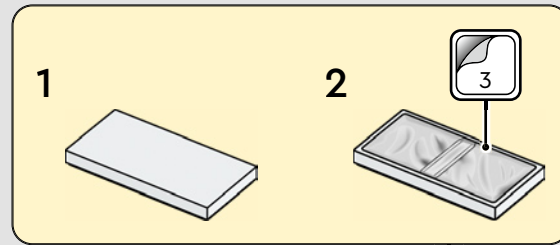
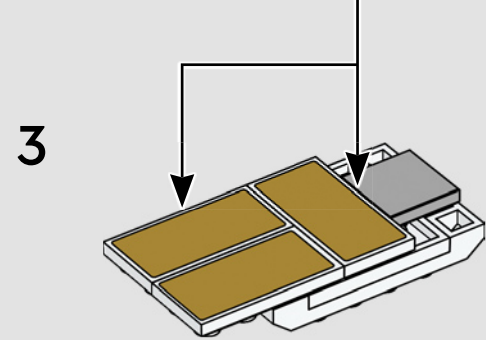
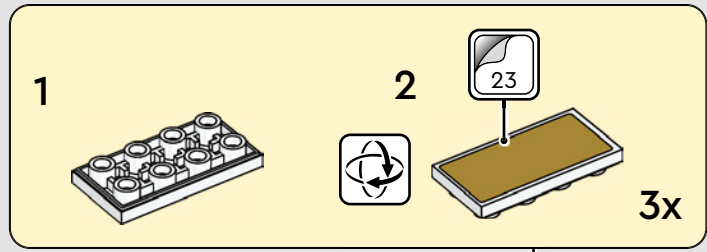
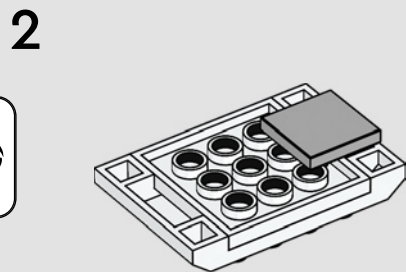
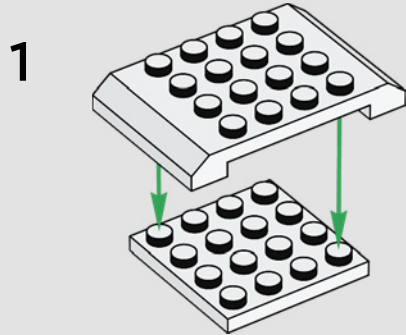
183

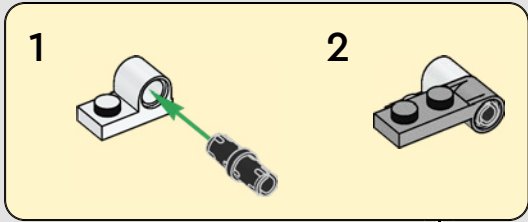




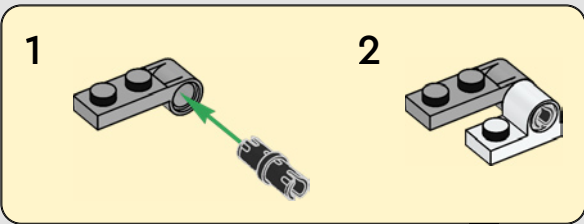
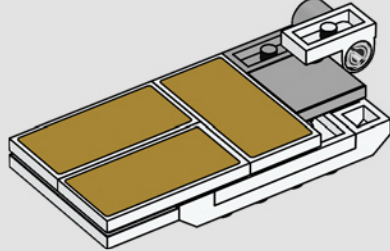


184

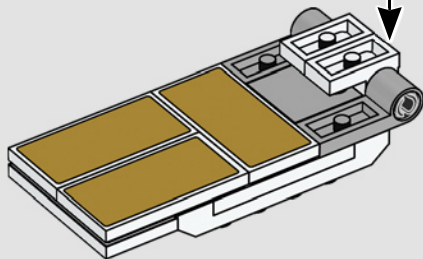




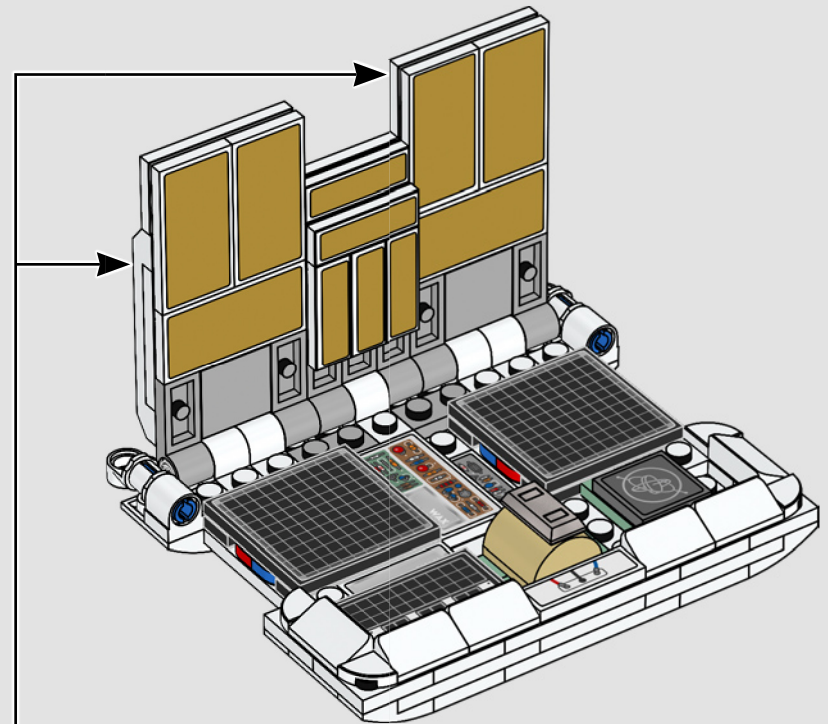
5

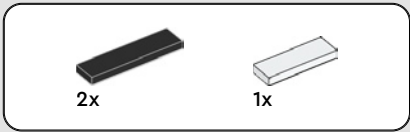


6

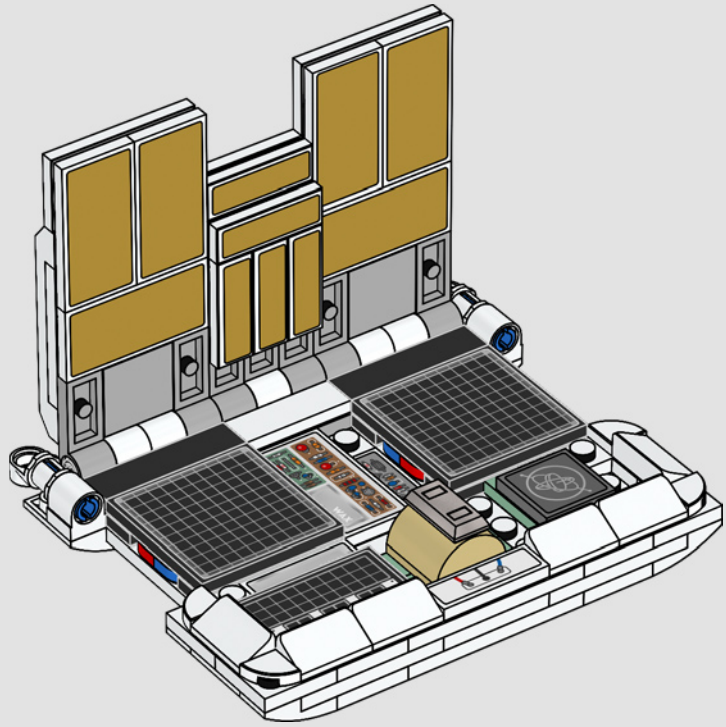


2x

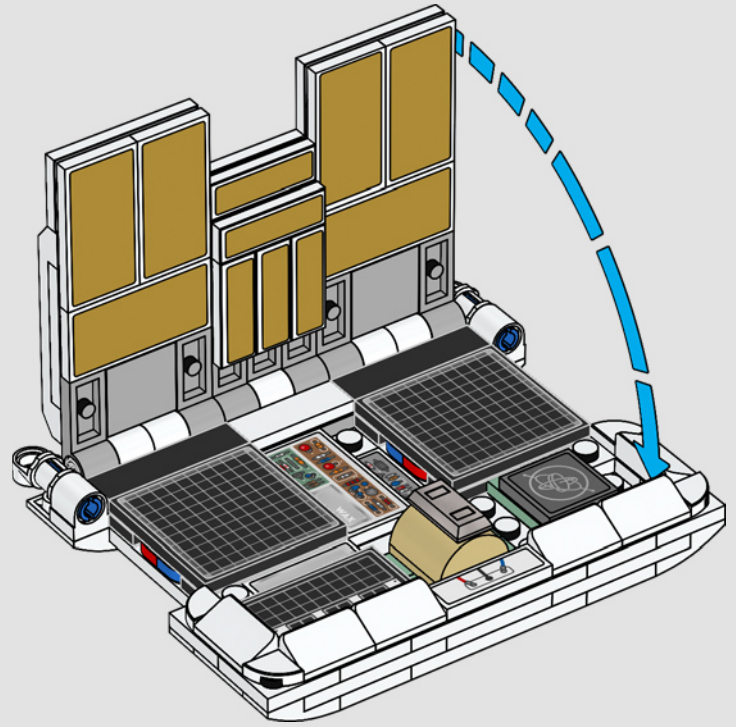


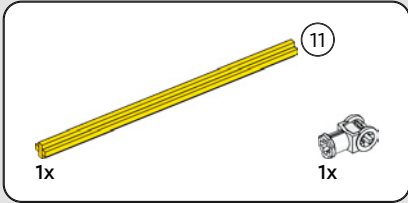
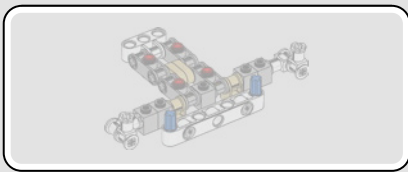


185

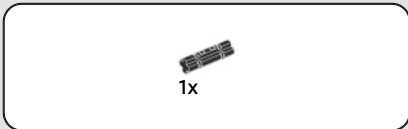
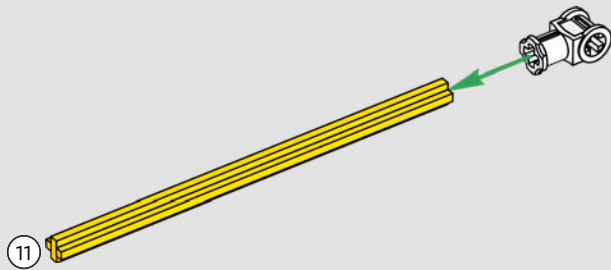


186

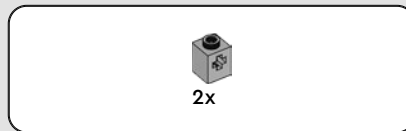
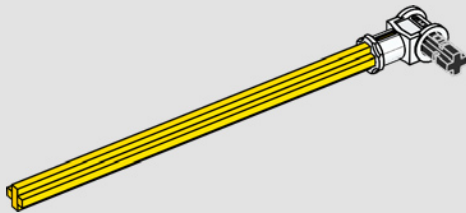




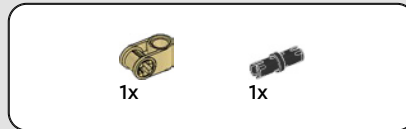
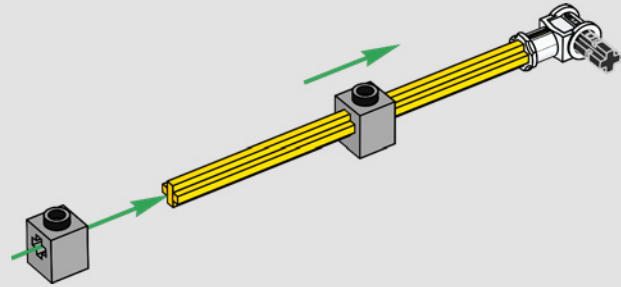
187



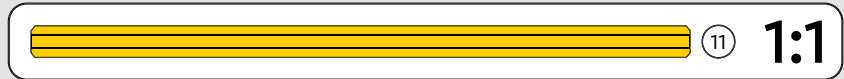
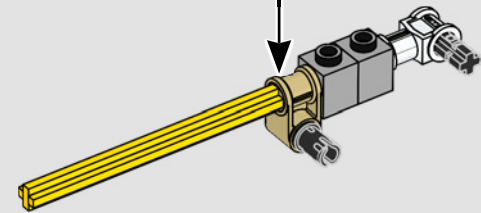
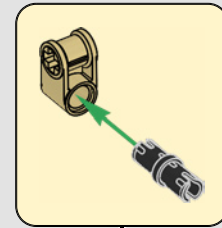
188

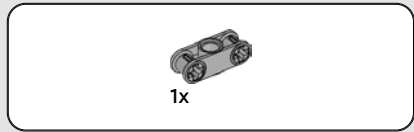


189

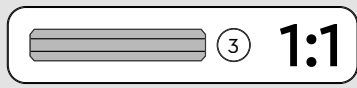
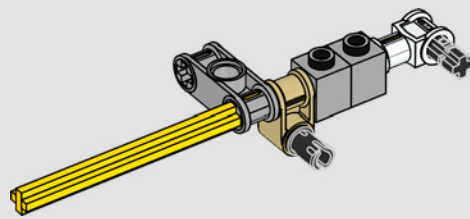


190

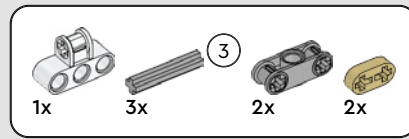




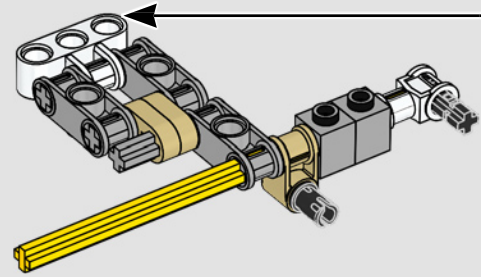
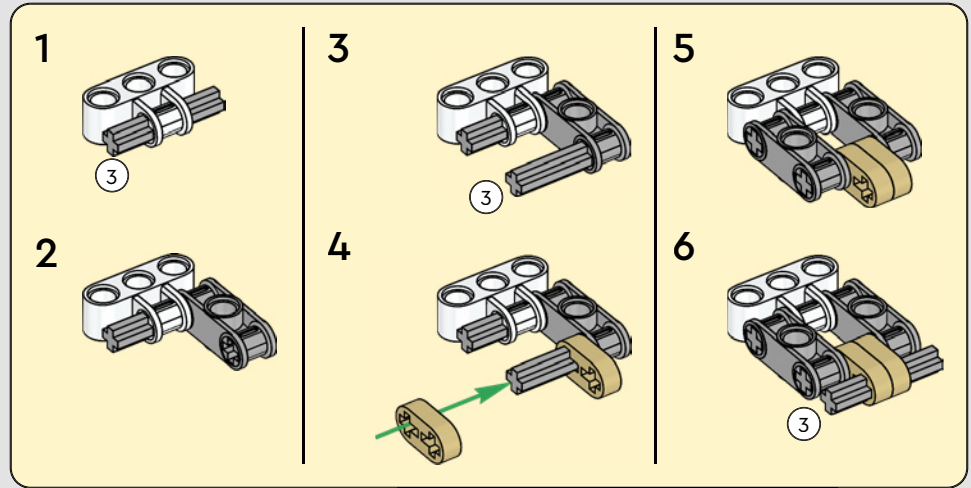
191



172



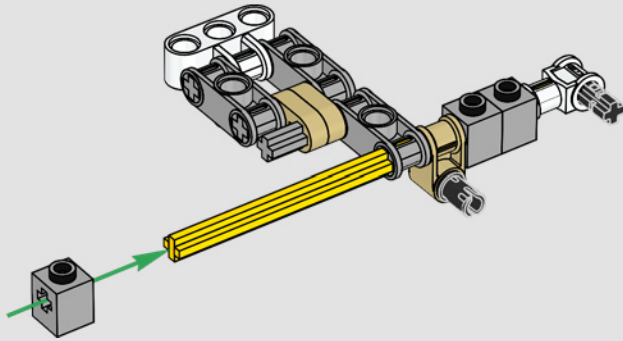
192





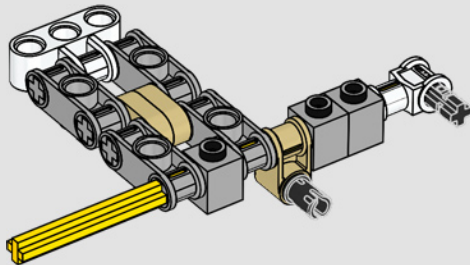
1x

193



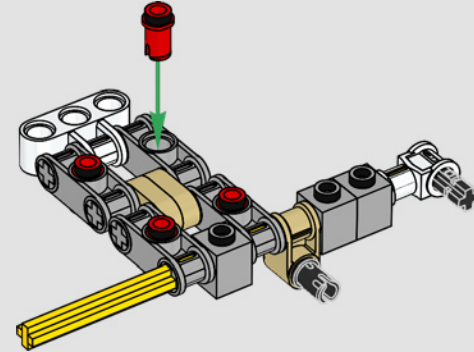
1x

194



4x

195

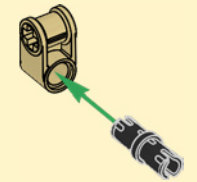
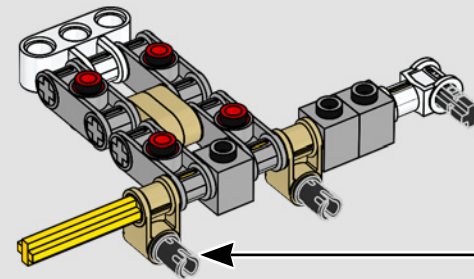


1x



1x

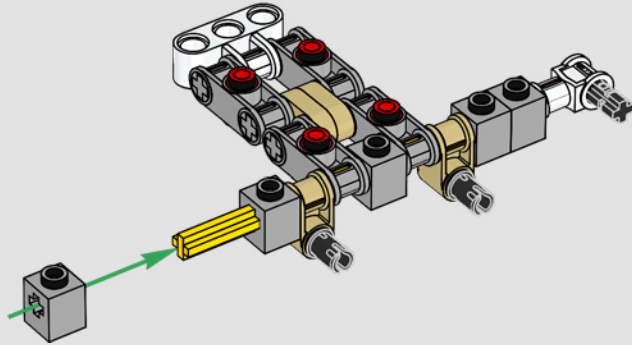
196





2x

197

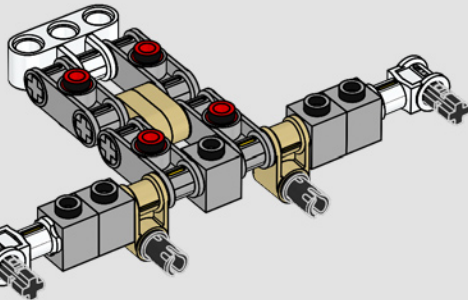


1x



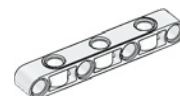
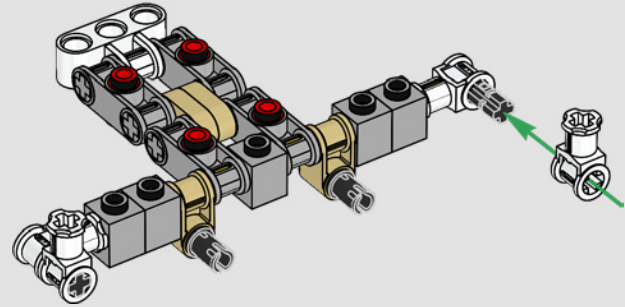
1x

198



2x

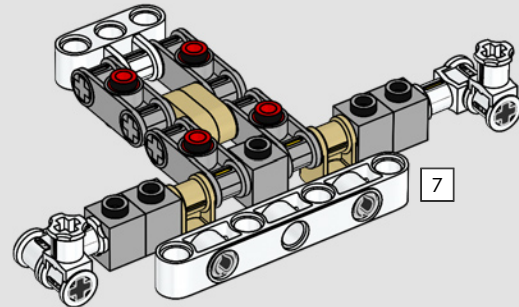
199



7

1x

200



7

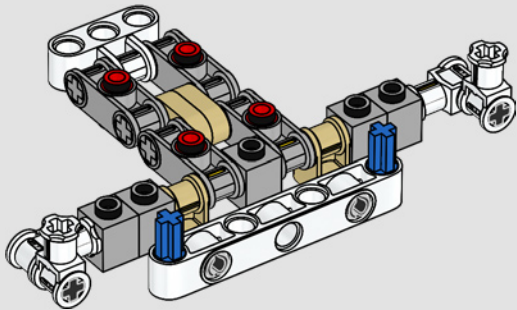
1:1



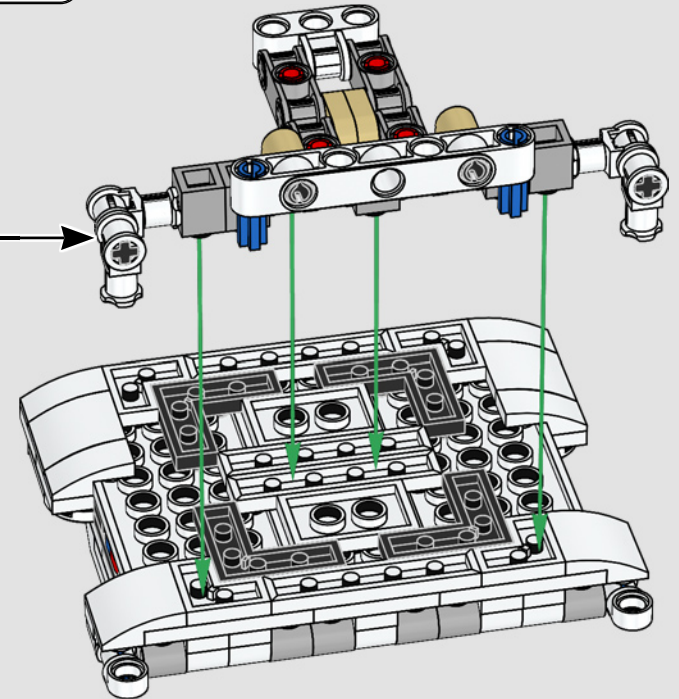
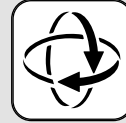


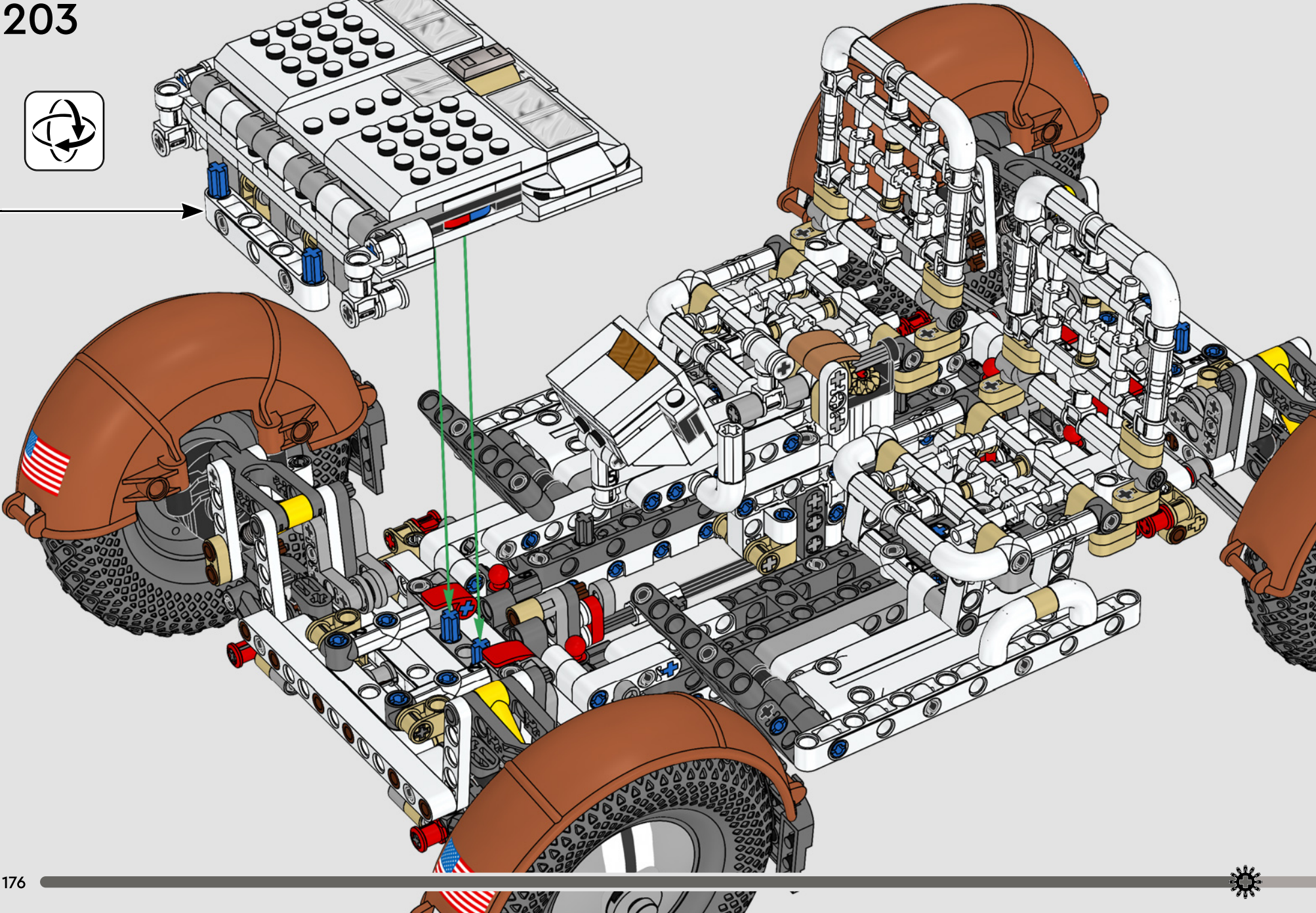
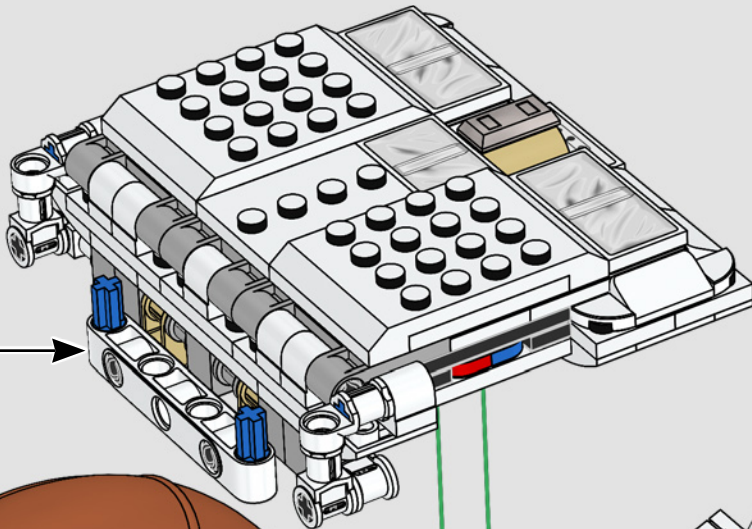
2x

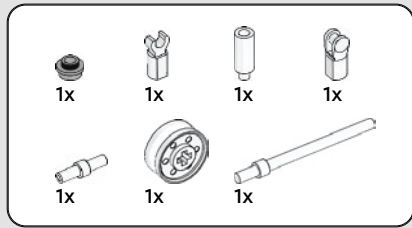
201



202







204

1



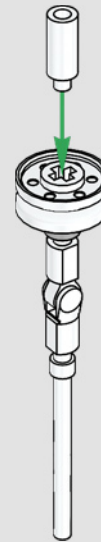
2

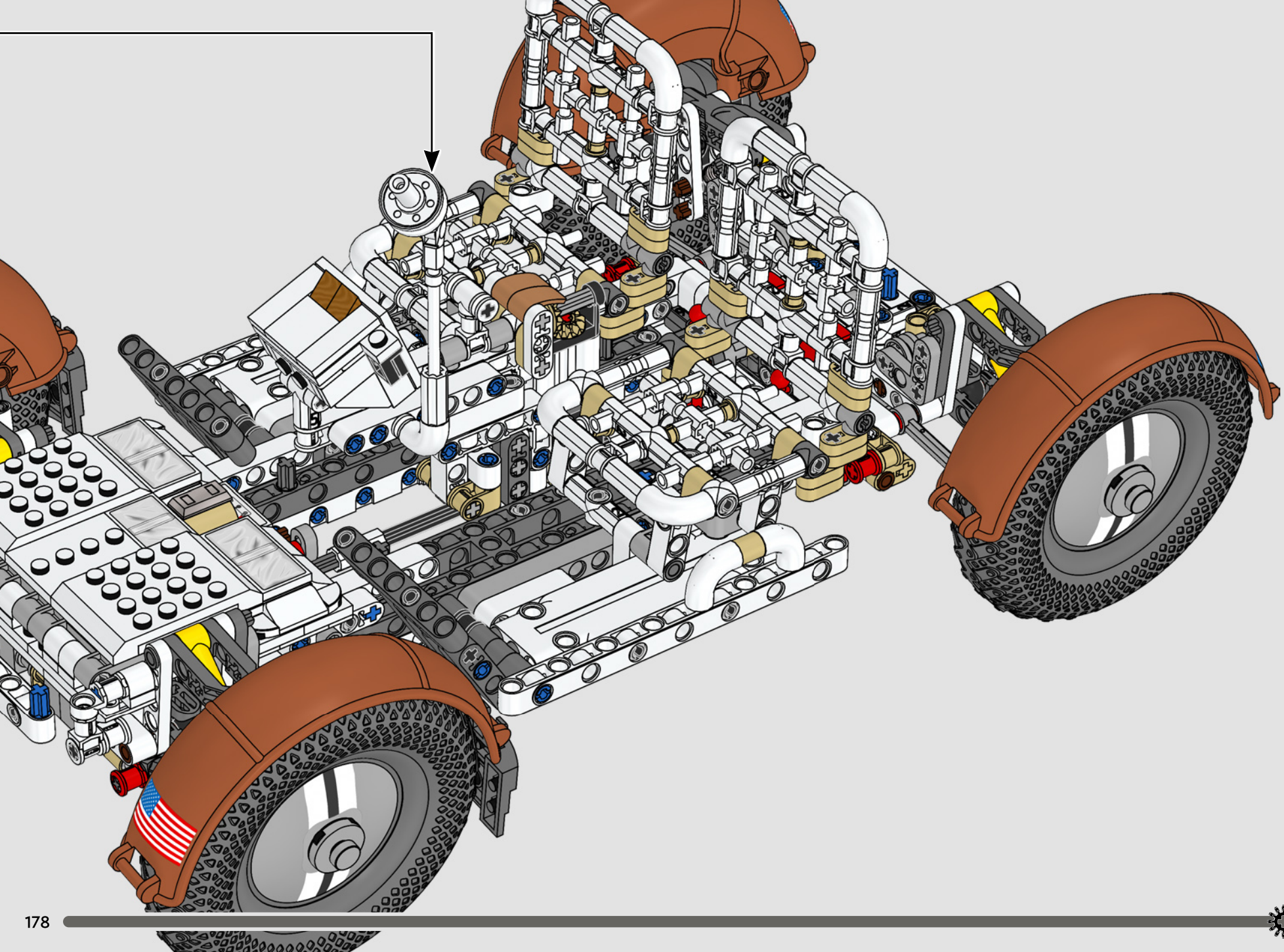


3



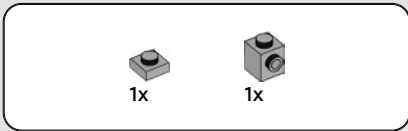
4



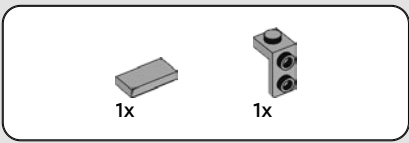




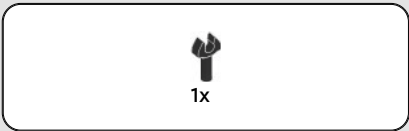
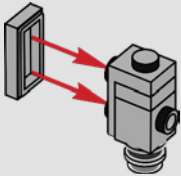
205



206

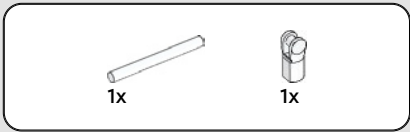


207

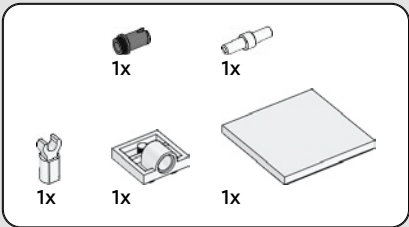
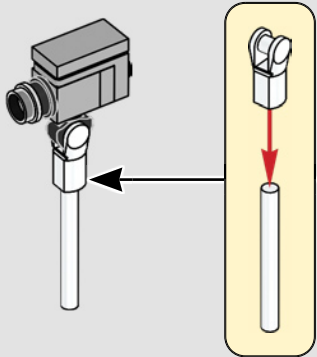


208

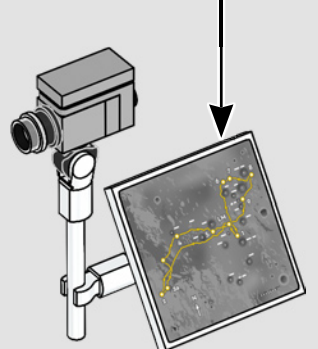
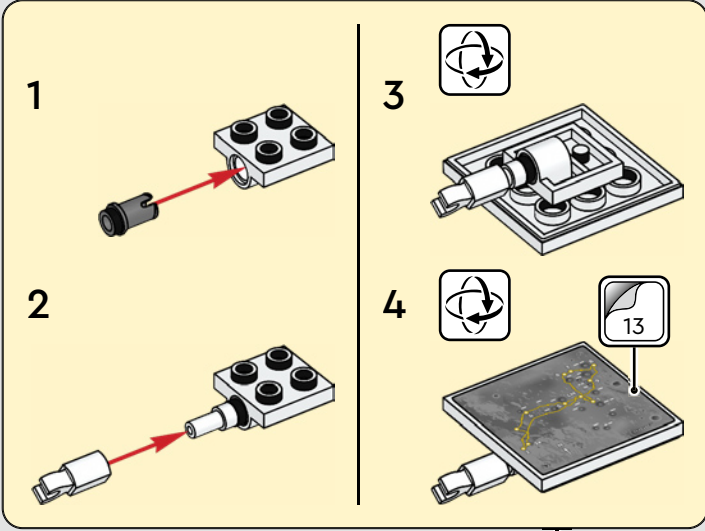




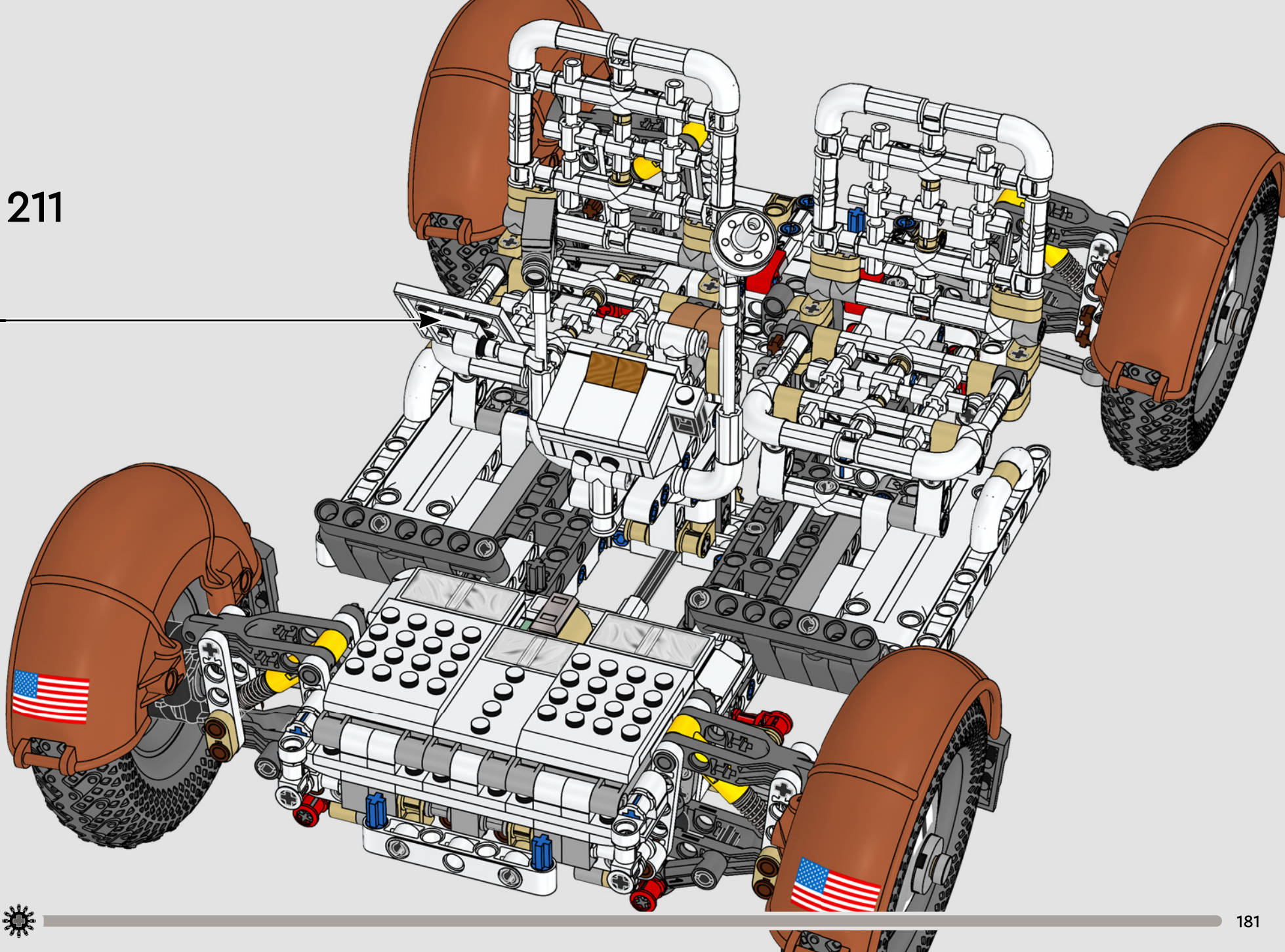
209

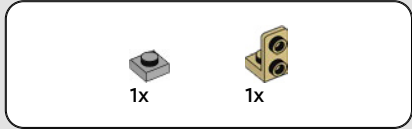
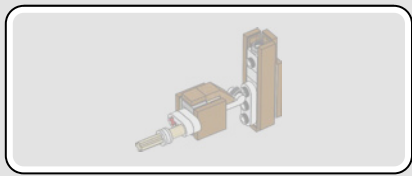


210

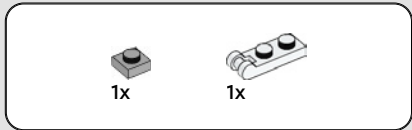


211

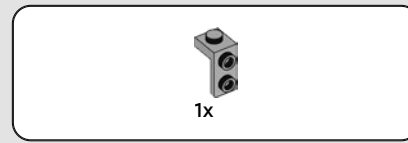
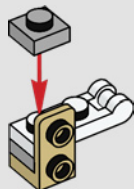




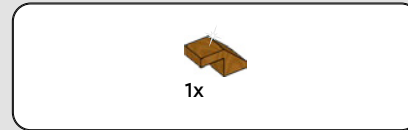
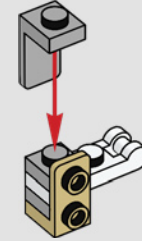
212



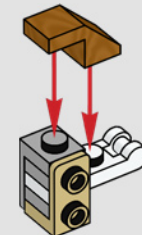
213

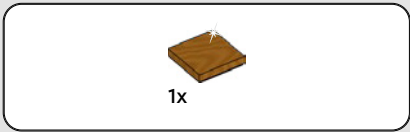


214

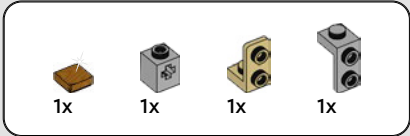
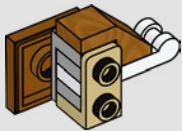


215

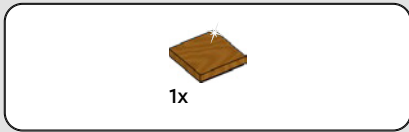
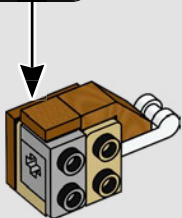
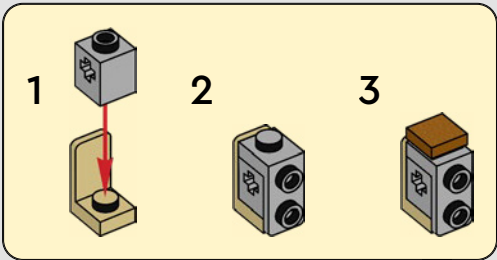




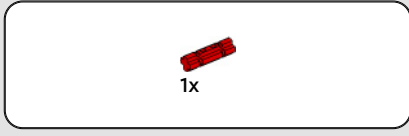
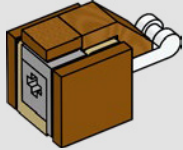
216



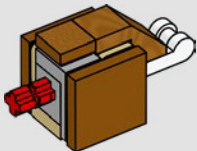
217

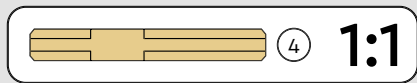
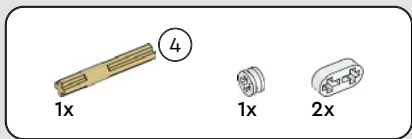


218

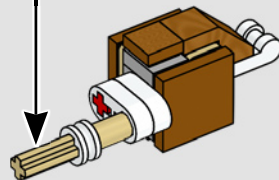
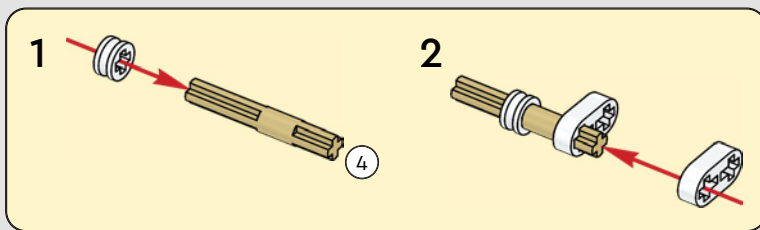


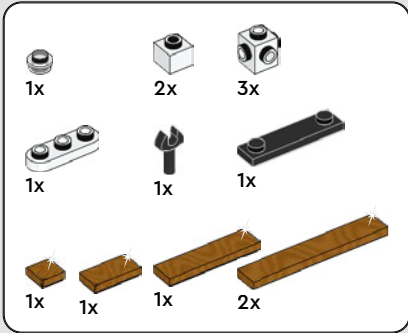
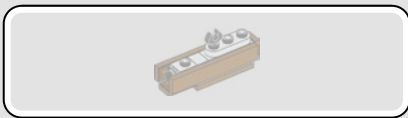
219



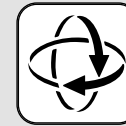
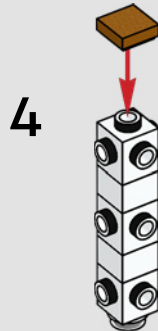
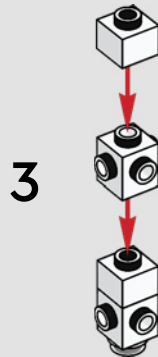
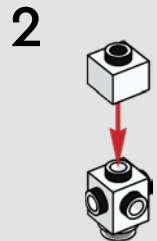
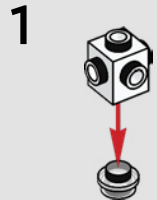


220

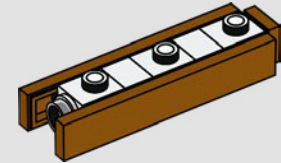




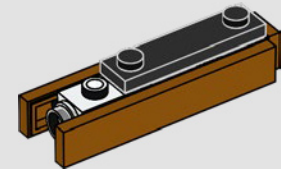
221



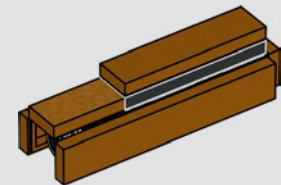
5



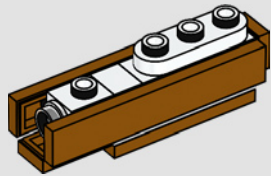
6



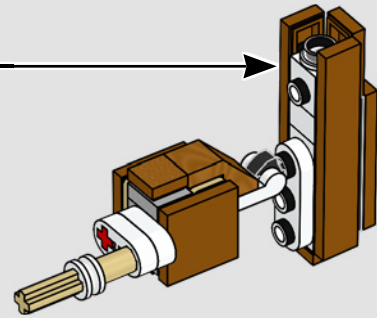
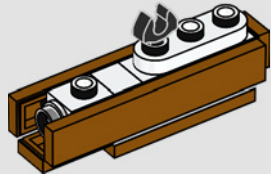
7

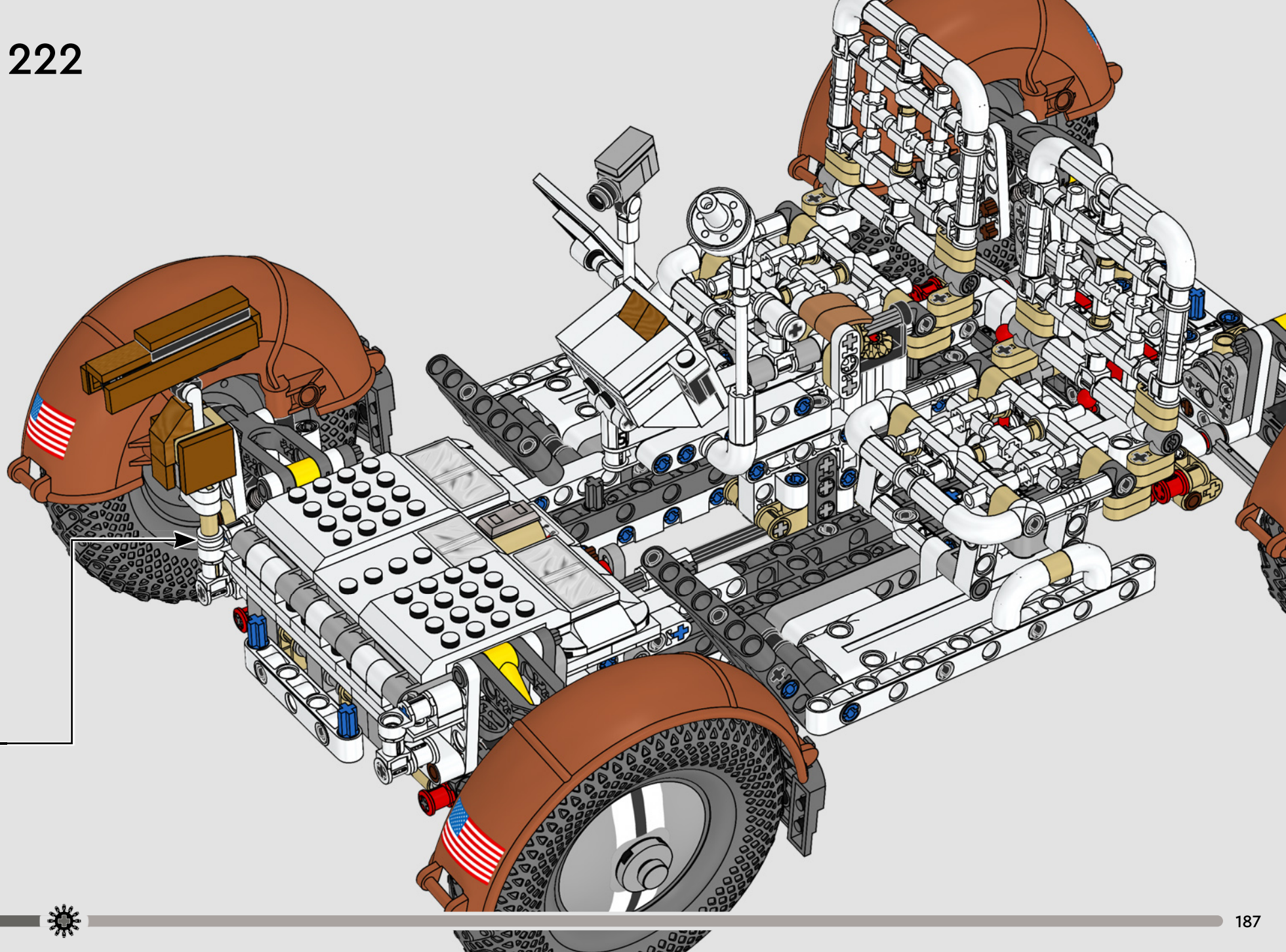


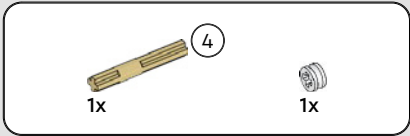
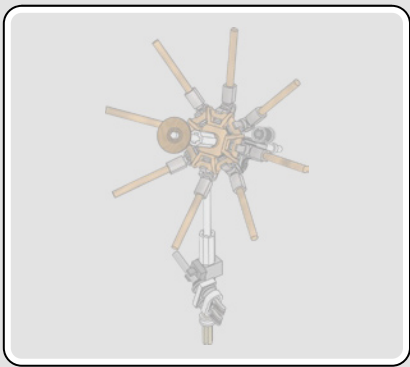
8



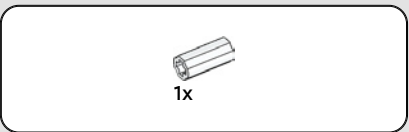
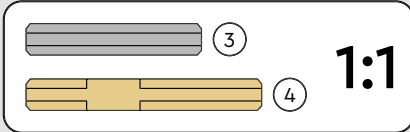
9



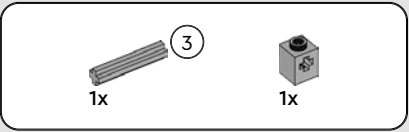




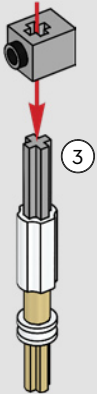
223

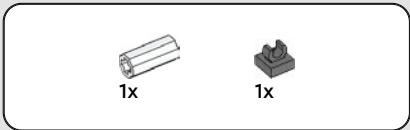


224

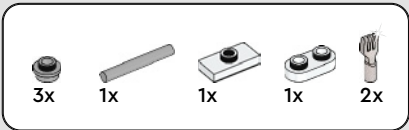
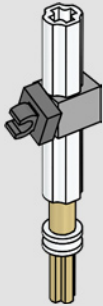


225

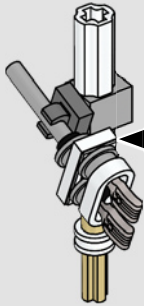
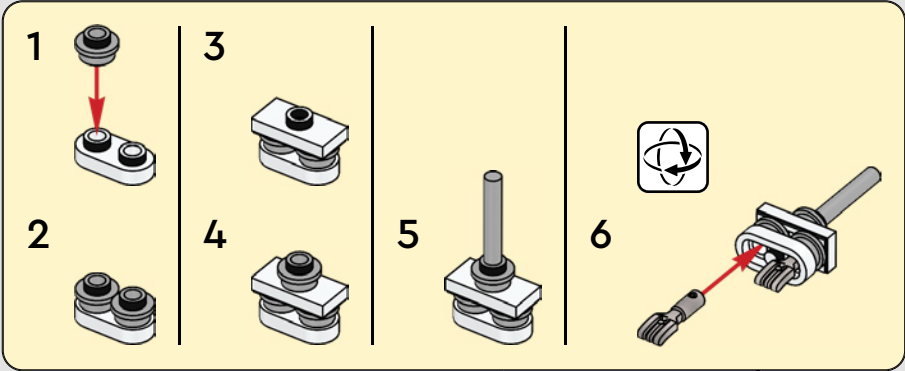


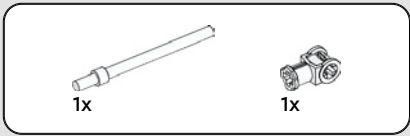


226

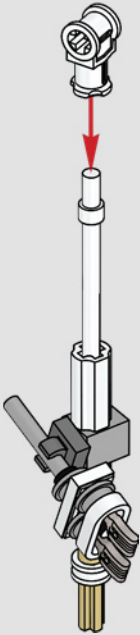


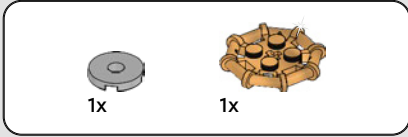
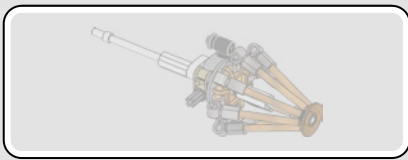
227



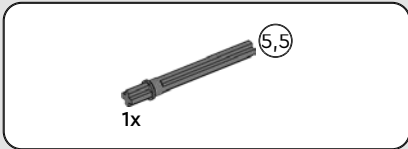
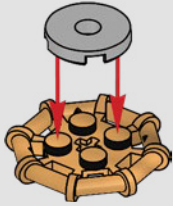


228

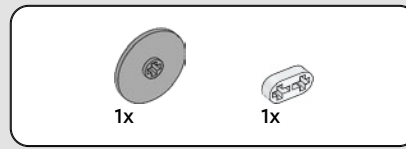
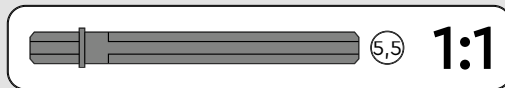
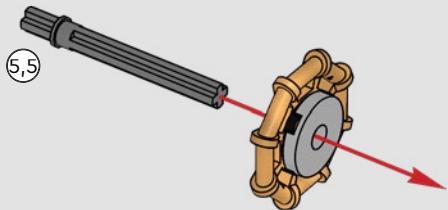




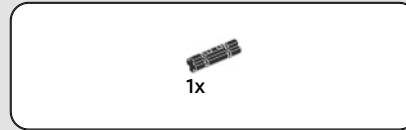
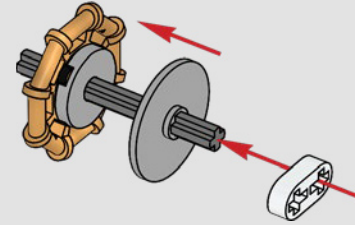
229



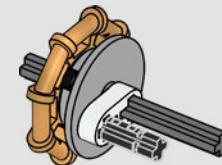
230

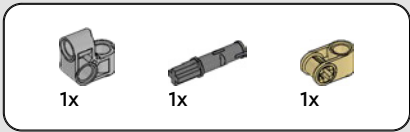


231

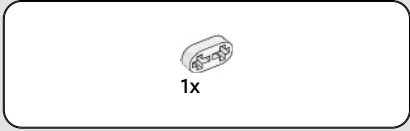
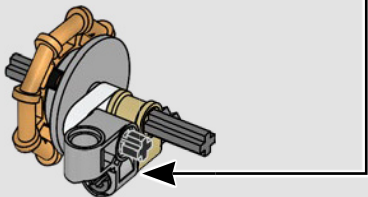
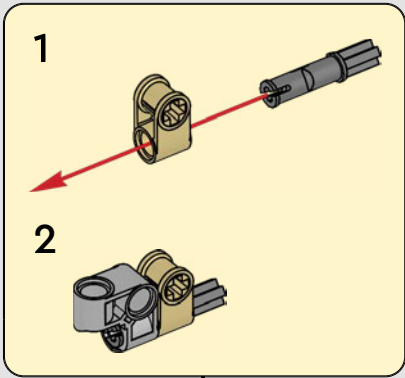


232

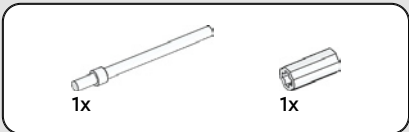
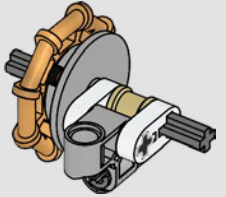




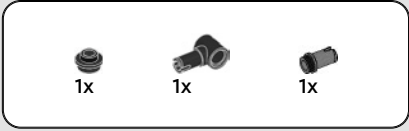
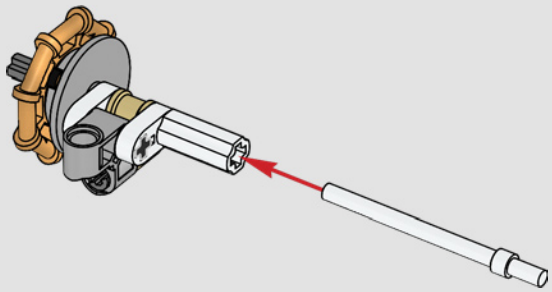
233



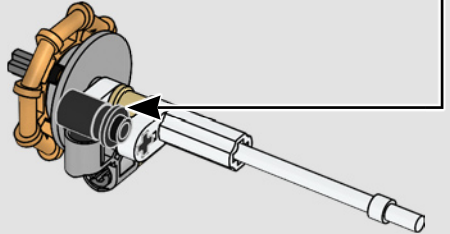
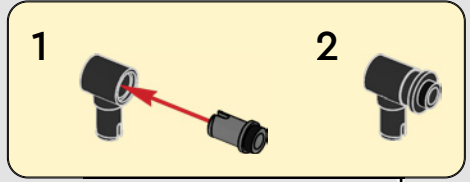
234

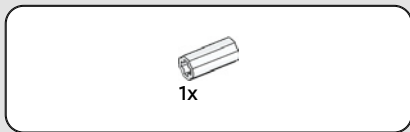


235

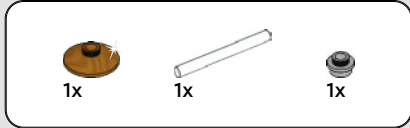
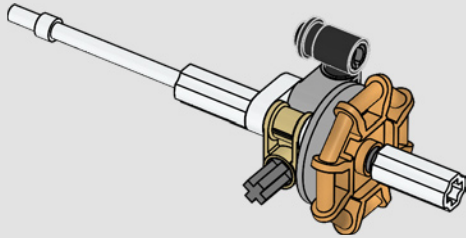


236

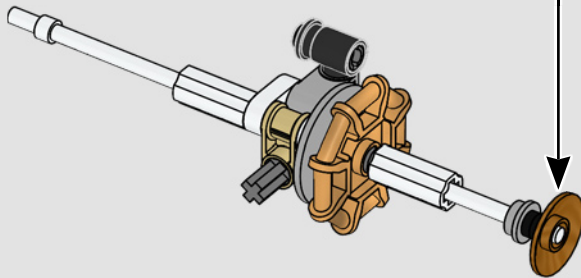
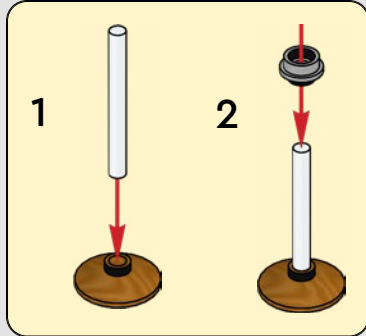




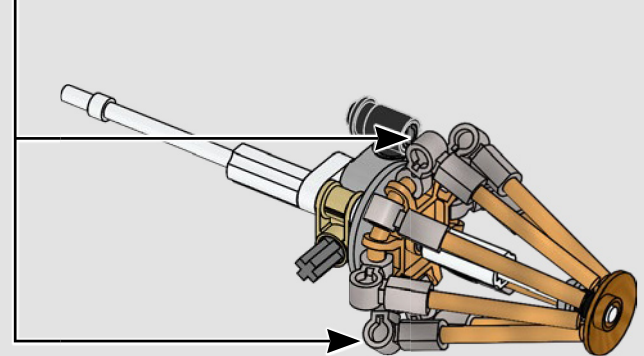
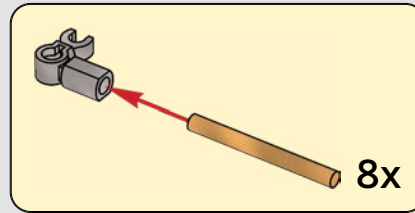
237



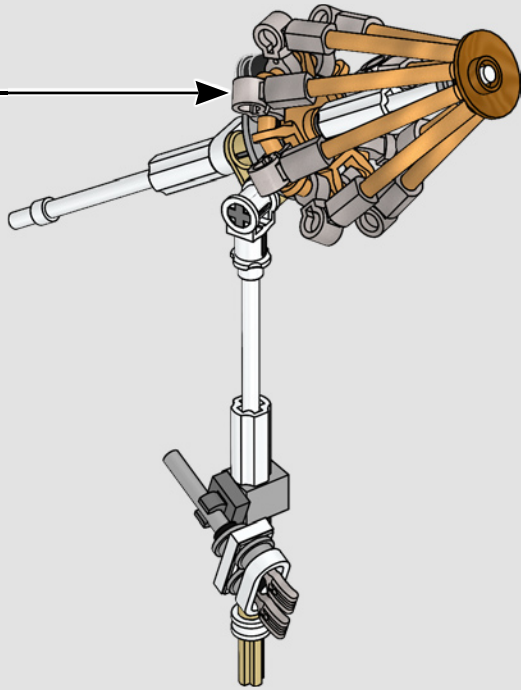
238



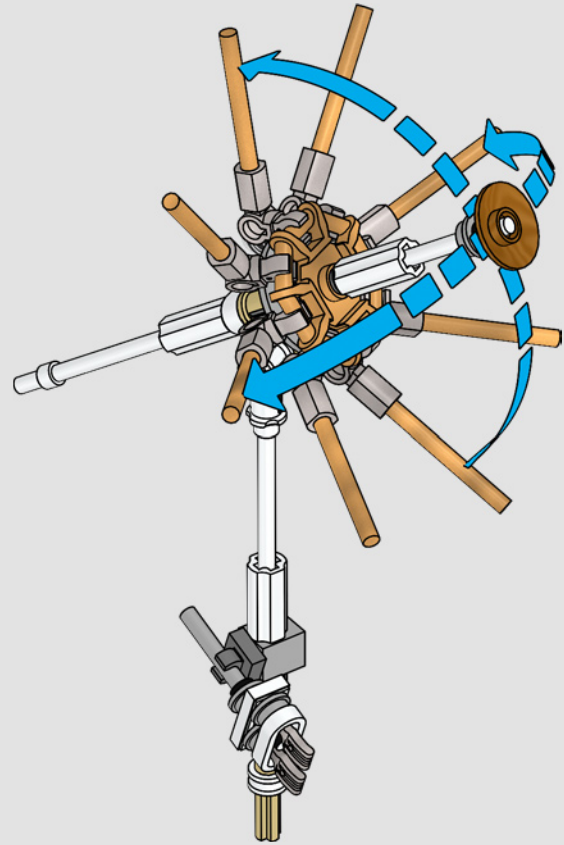
239



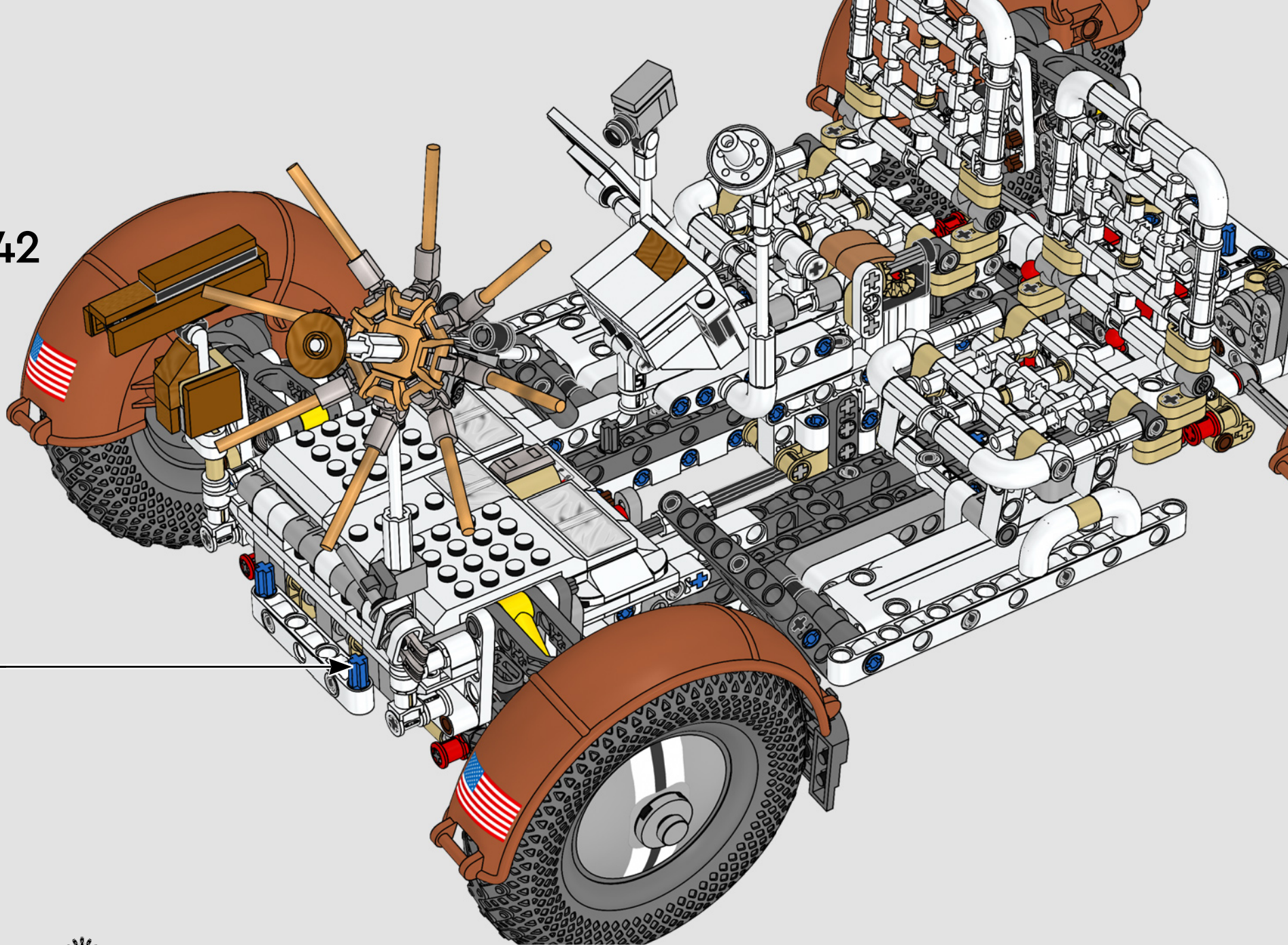
240

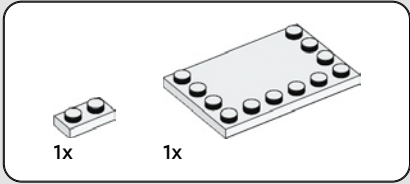
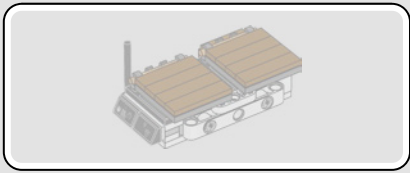


241

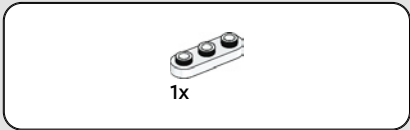
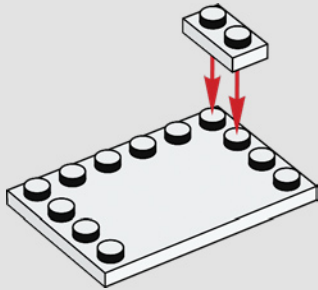


242

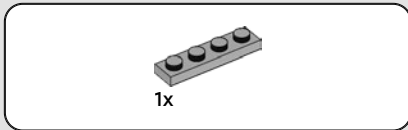
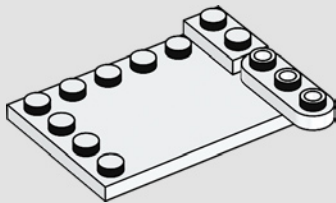




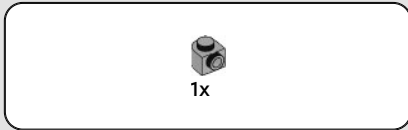
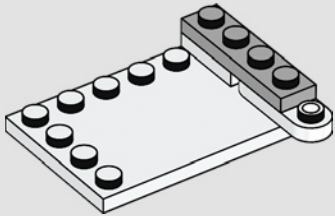
243



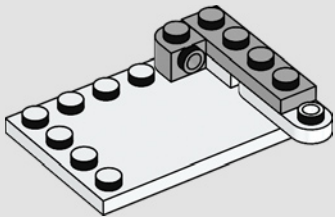
244

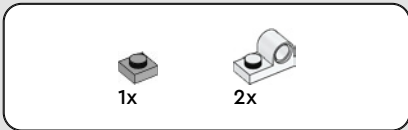


245

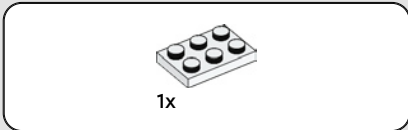
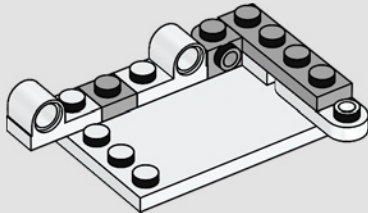


246

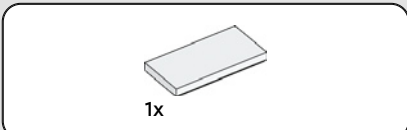
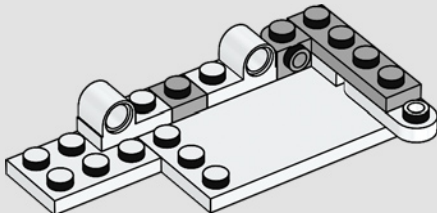




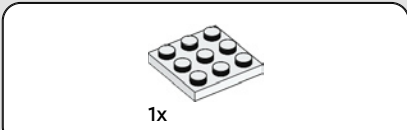
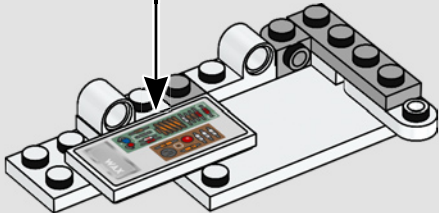
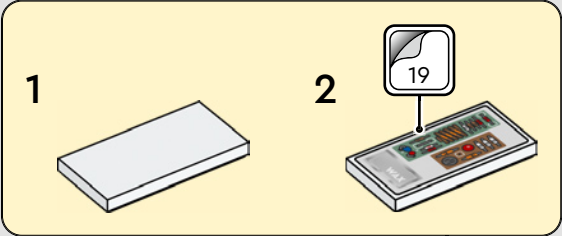
247



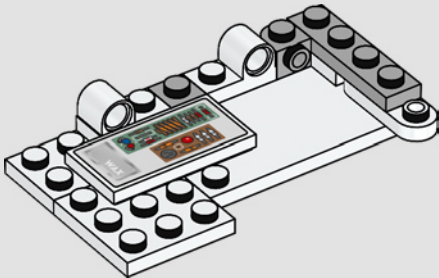
248



249



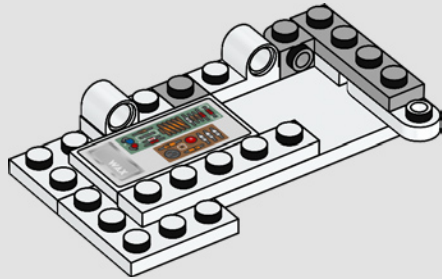
250





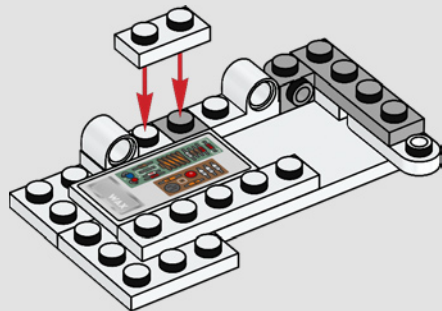
1x

251



1x

252

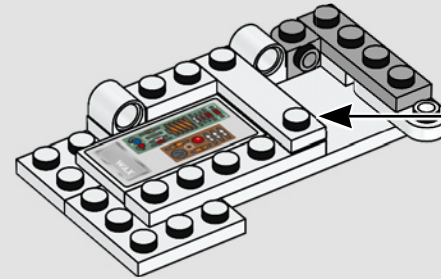


1x



1x

253



1x

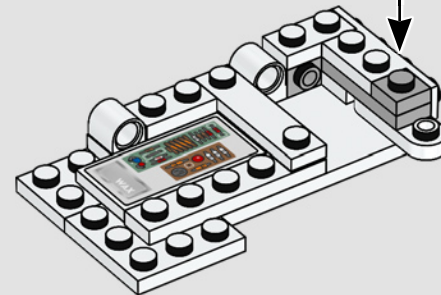


1x



1x

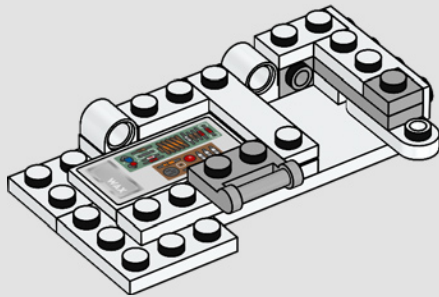
254





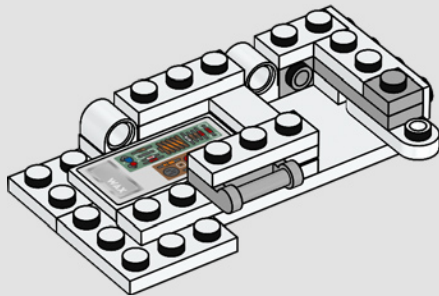
1x

255



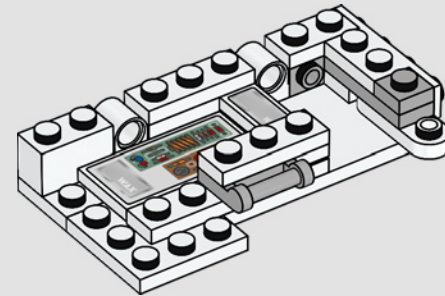
2x

256

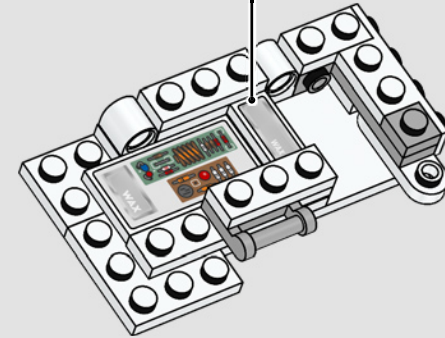


1x

258



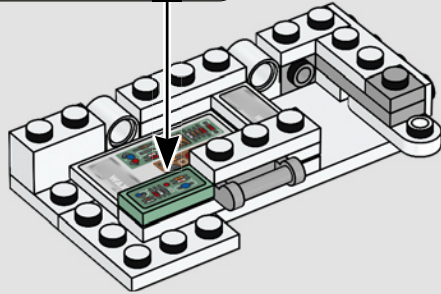
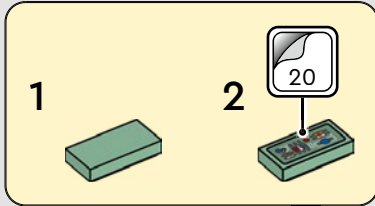
257





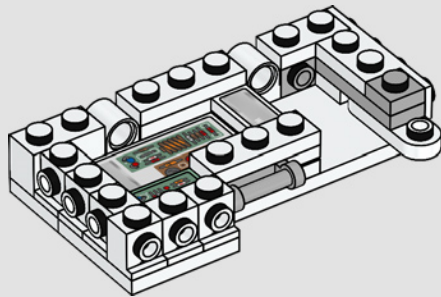
1x

259



6x

260

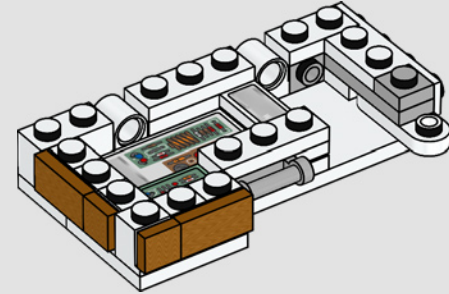


2x



2x

261

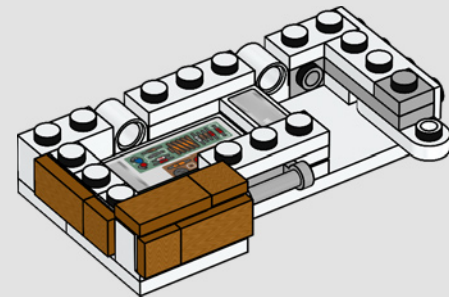


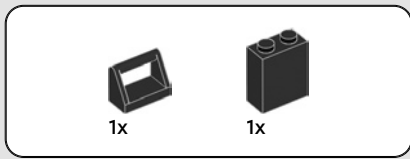
1x



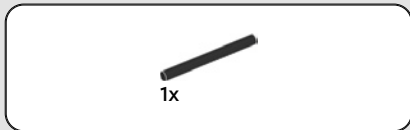
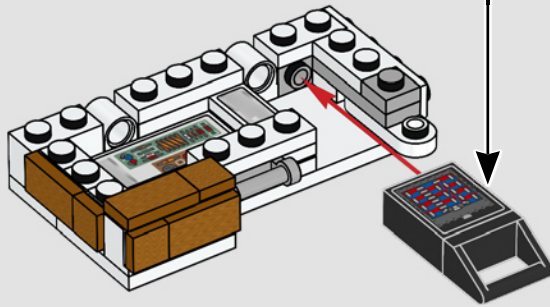
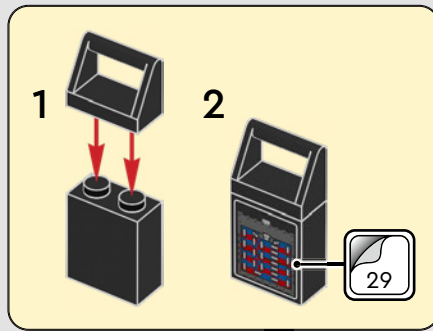
1x

262

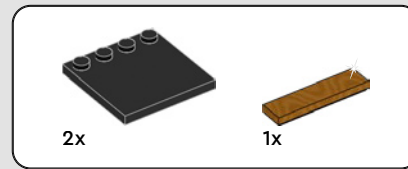
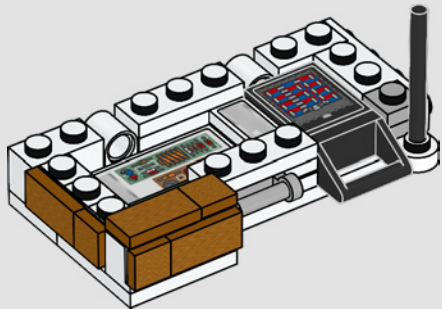




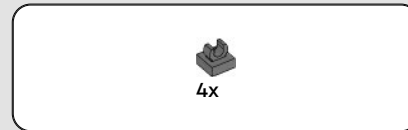
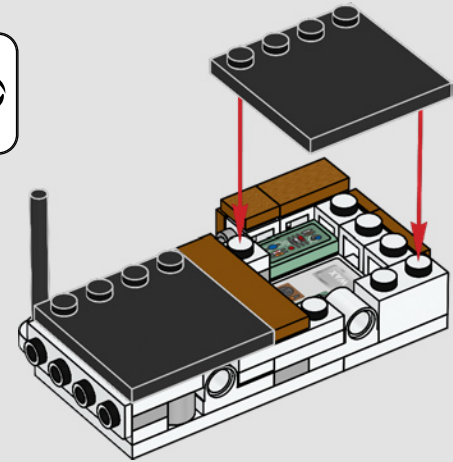
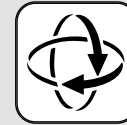
263



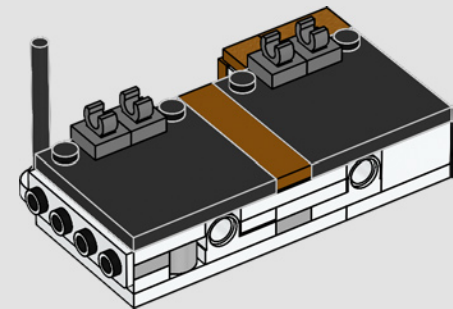
264



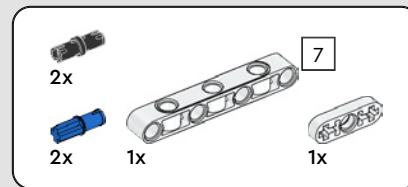
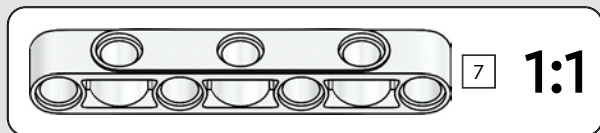
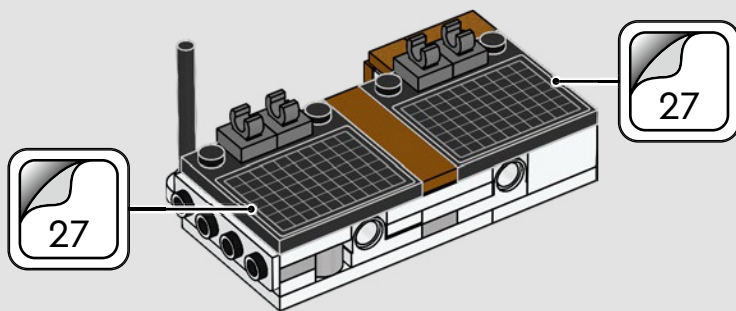
265



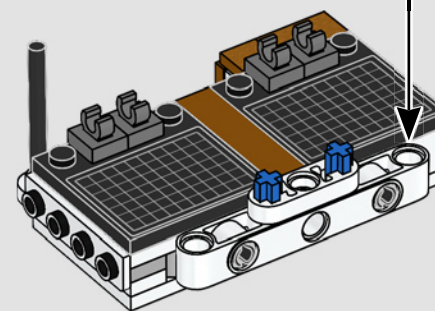
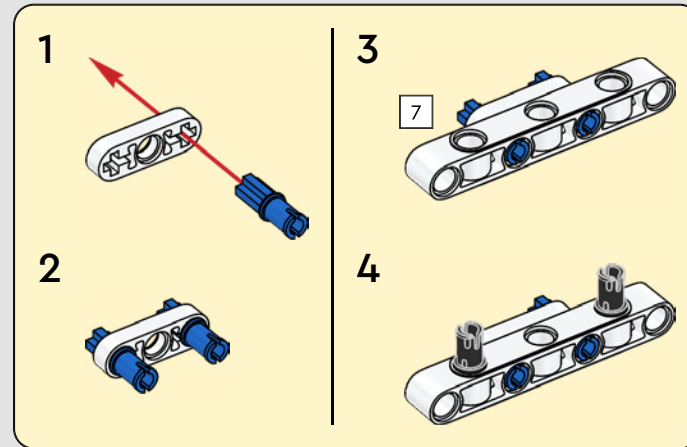
266

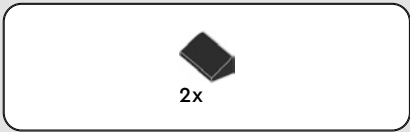


267

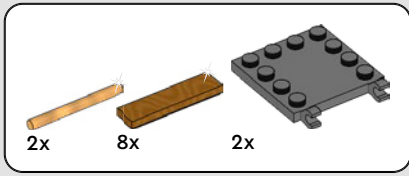
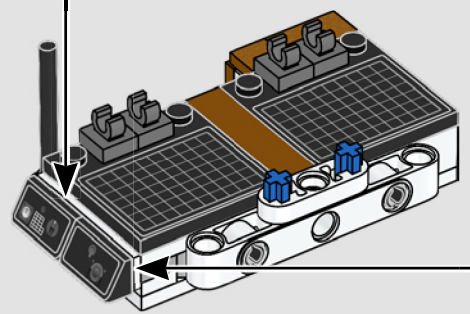
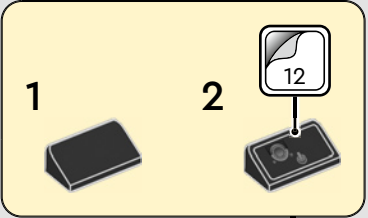
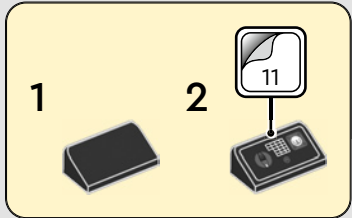


268

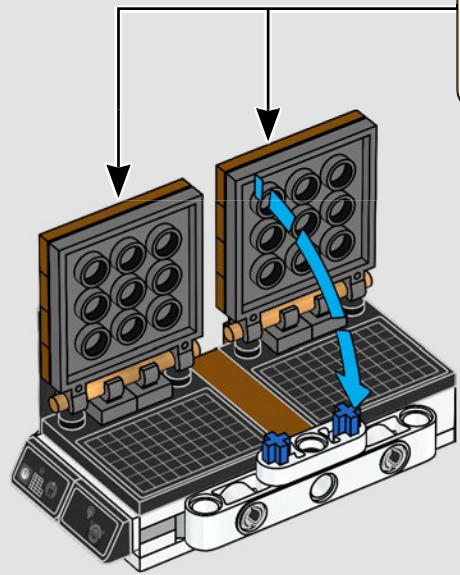
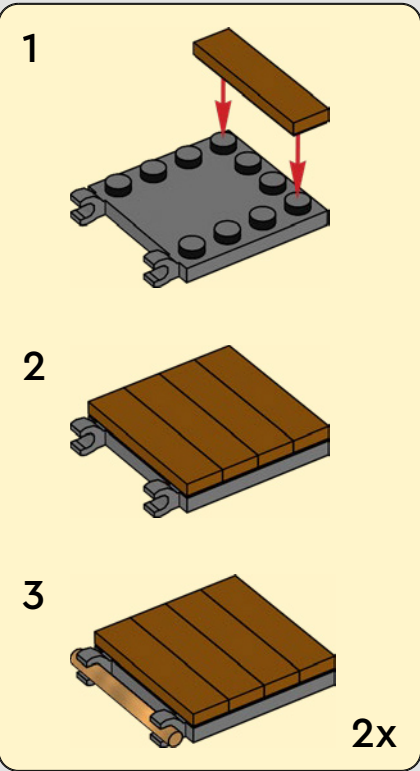


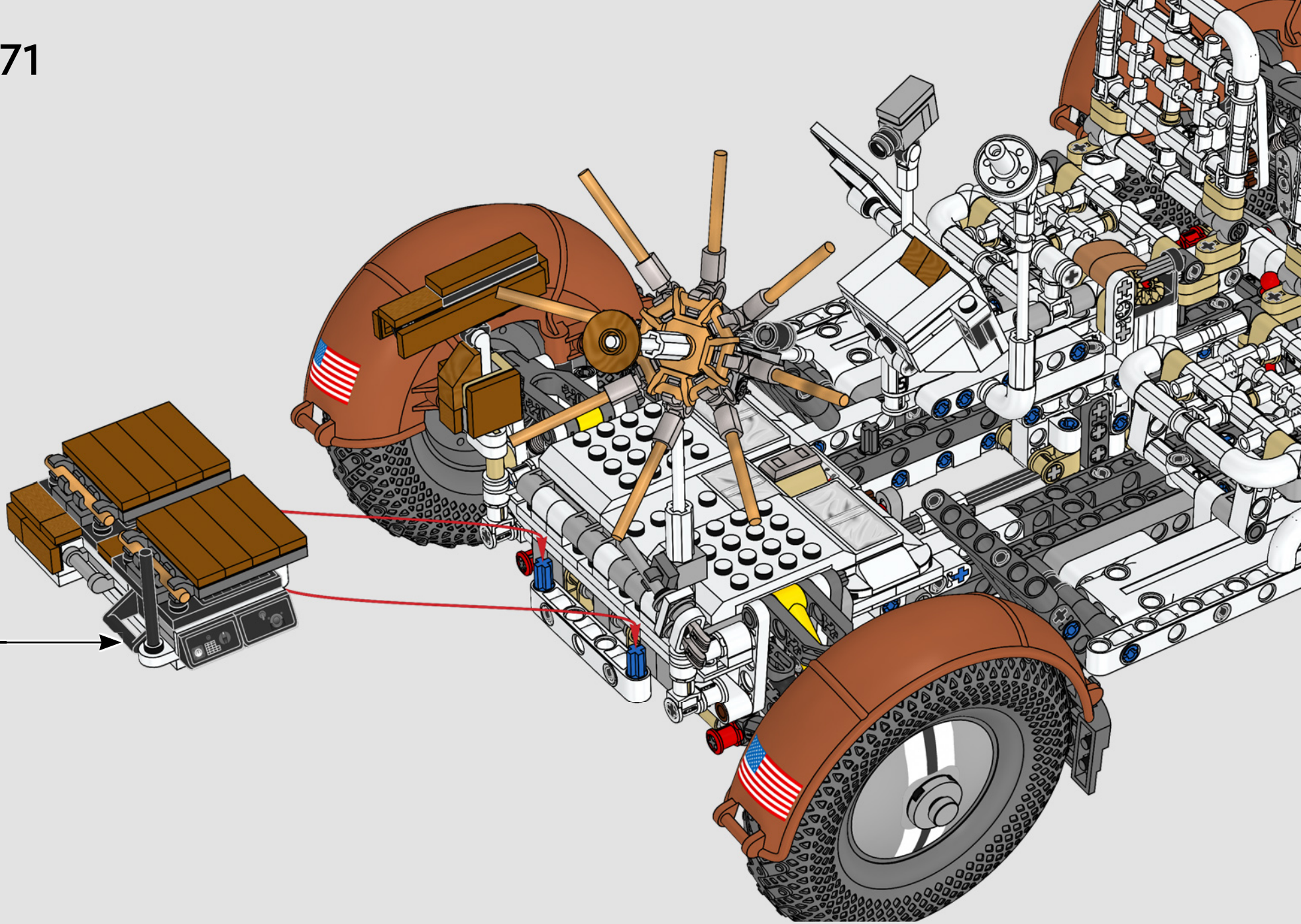


269

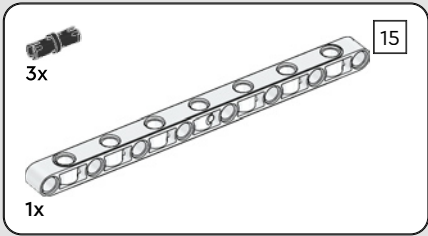
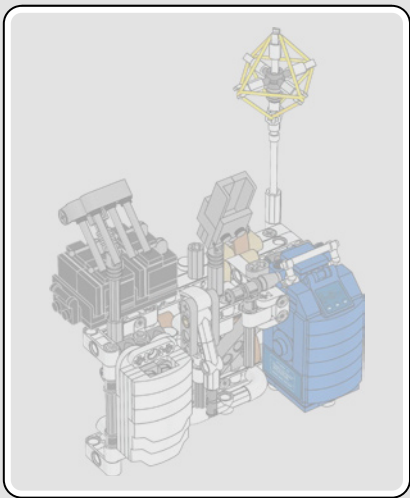


270

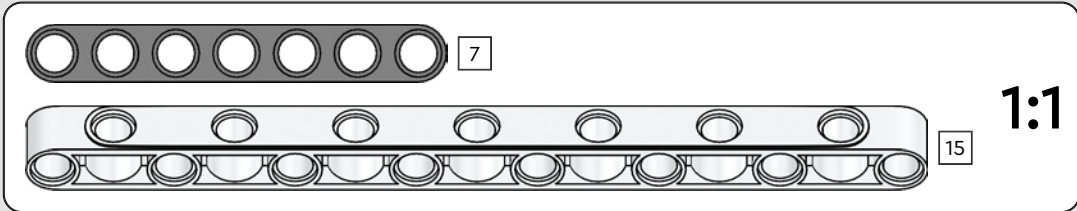
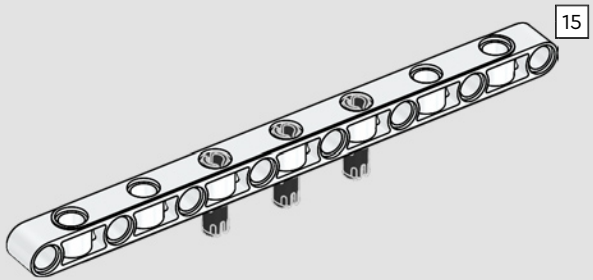




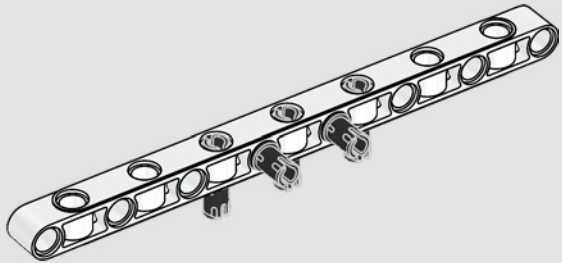


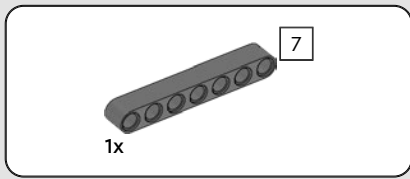


272

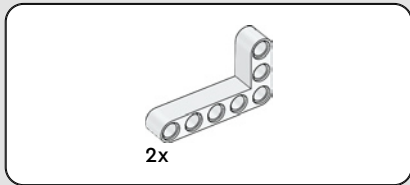
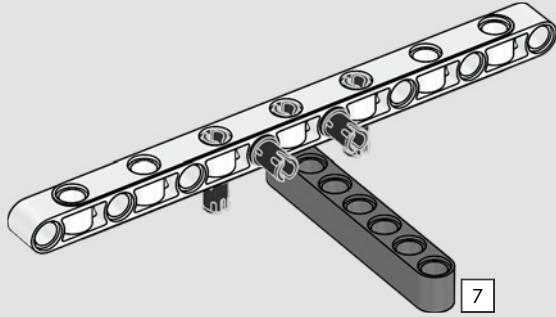


273

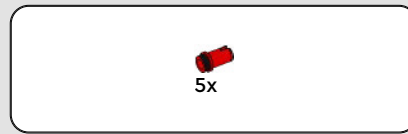
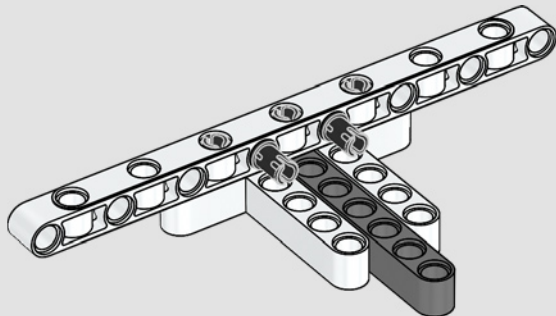




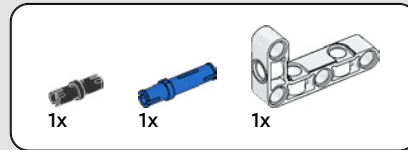
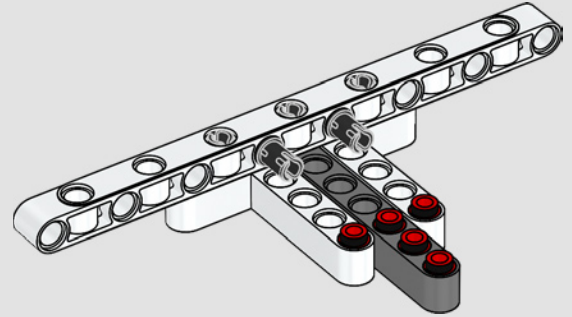
274



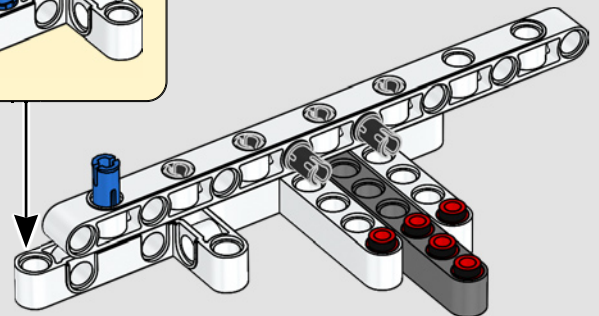
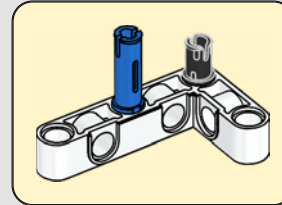
275



276



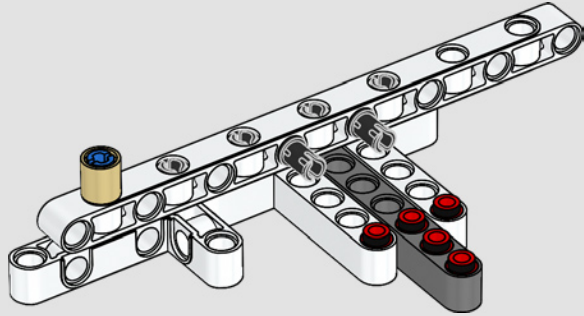
277





1x

278

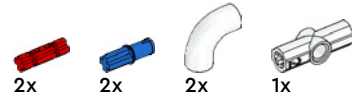
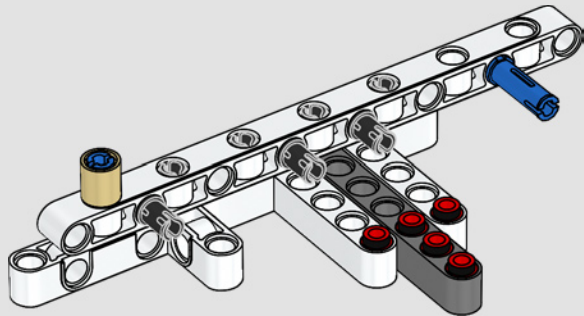


1x



1x

279



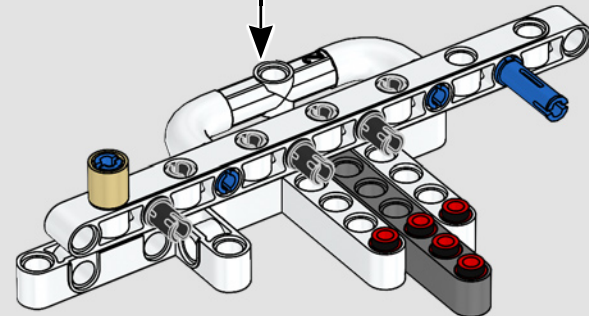
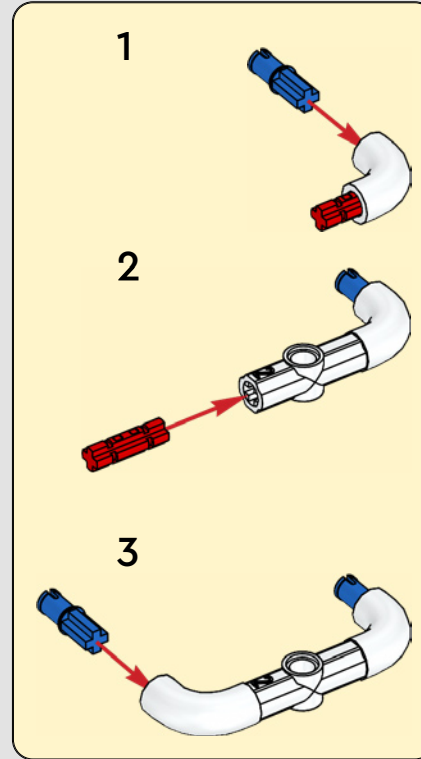
2x

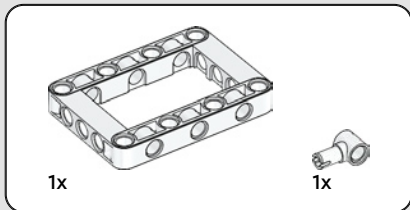
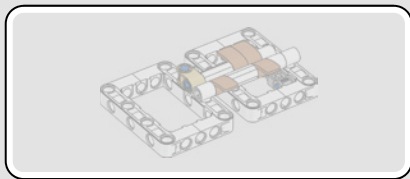
2x

2x

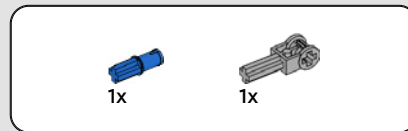
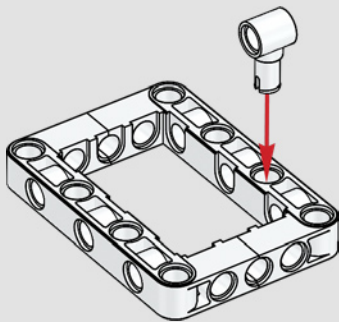
1x

280

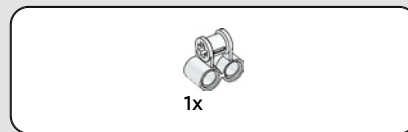
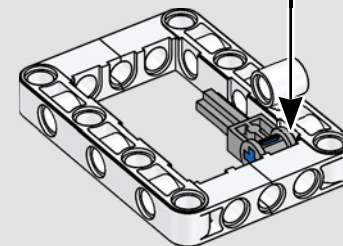
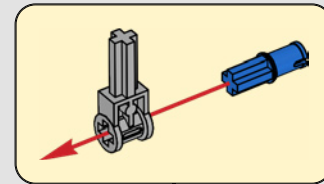




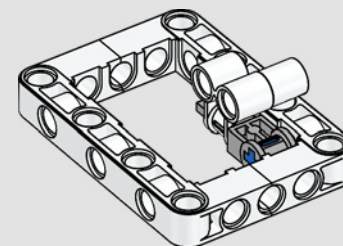
281

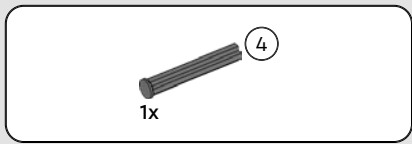


282

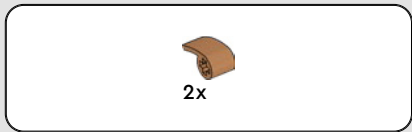
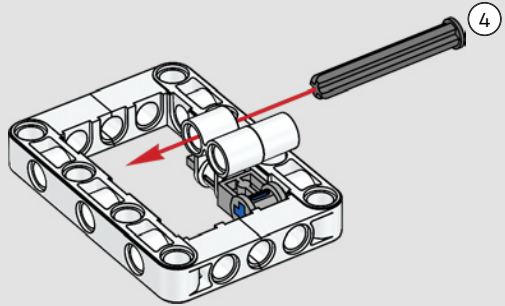


283

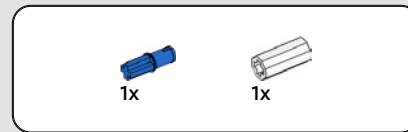
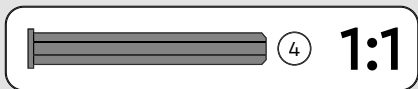
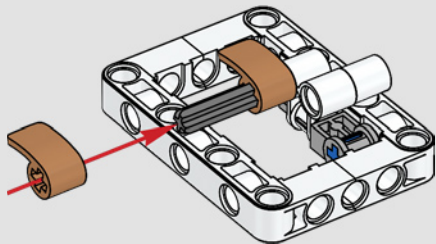




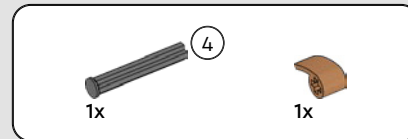
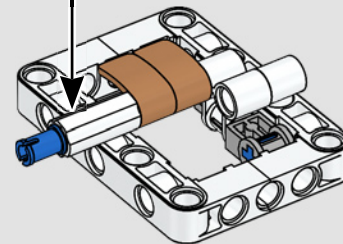
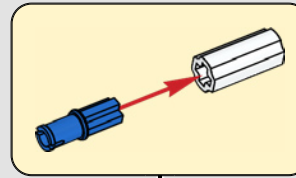
284



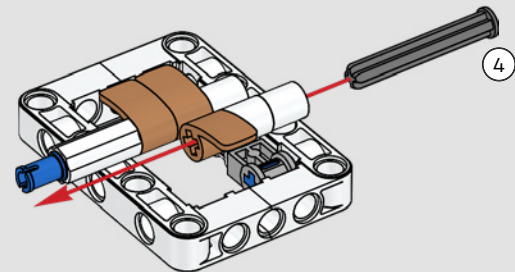
285

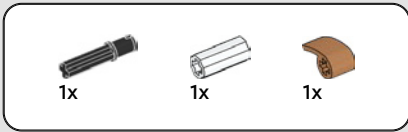


286

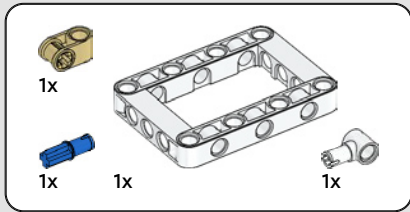
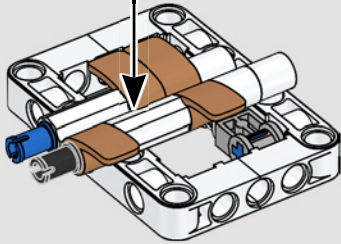
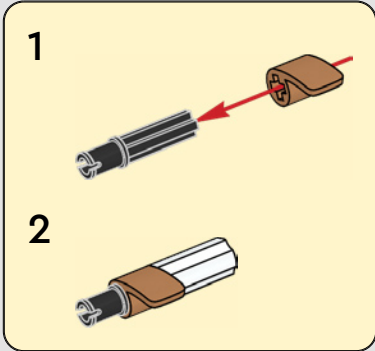


287

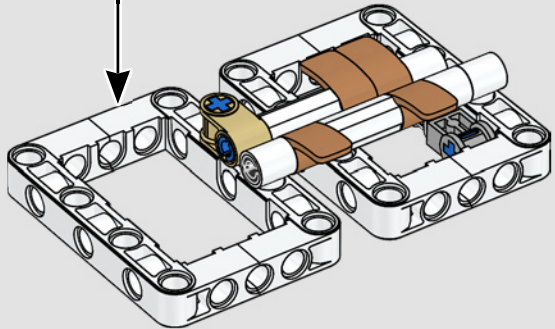
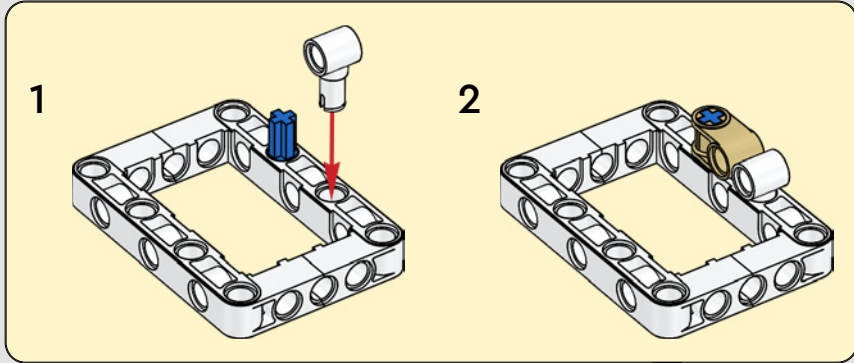




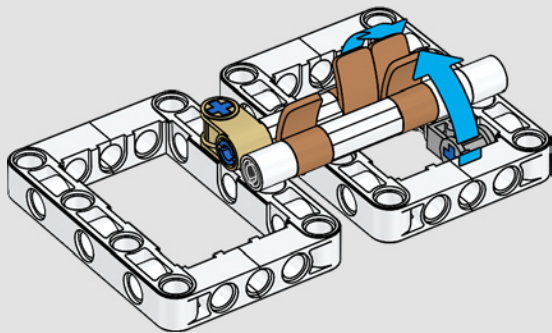
288



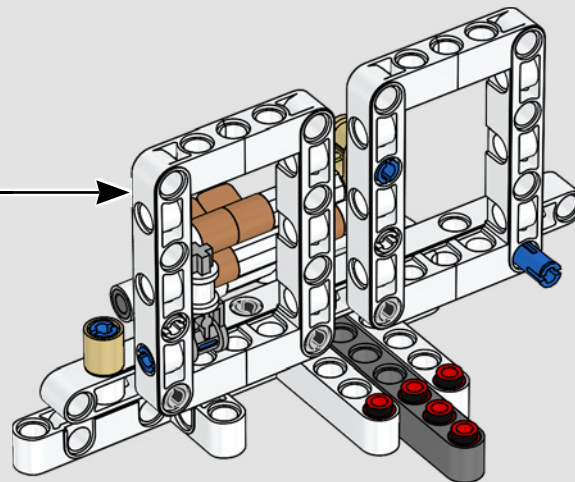
289

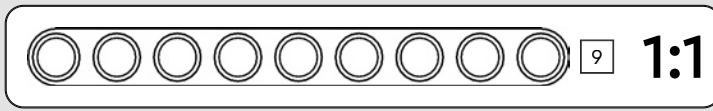
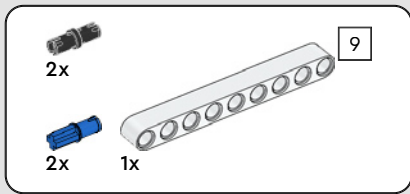


290

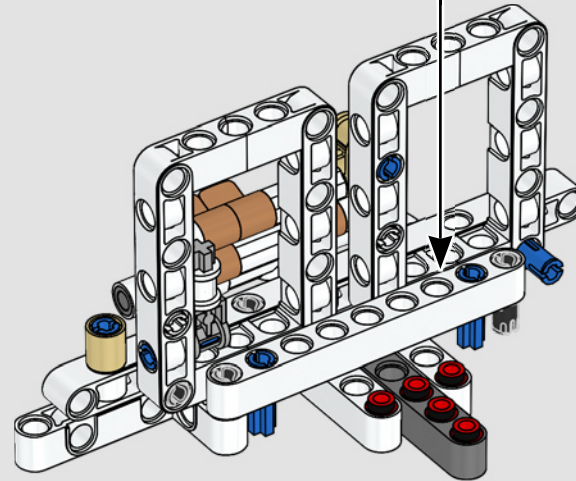
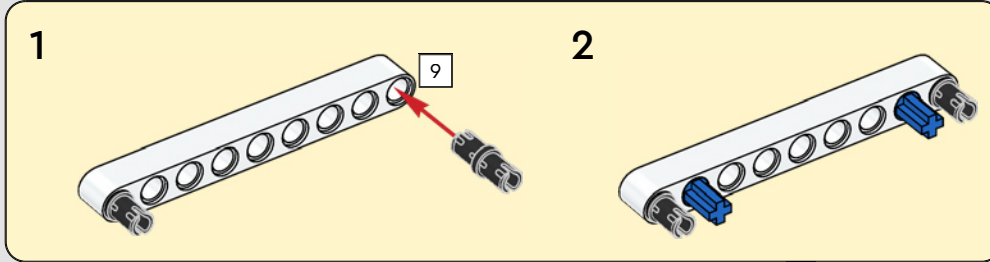


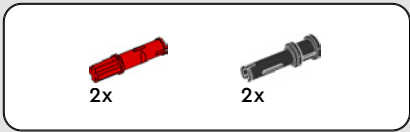
291



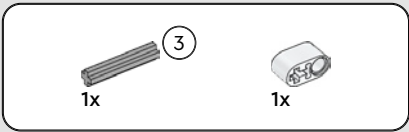
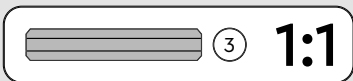
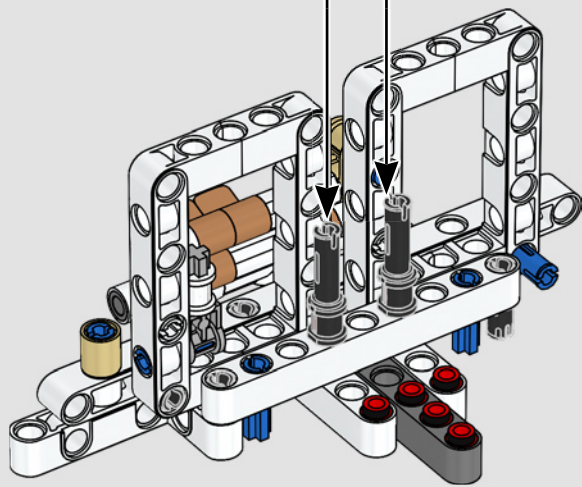
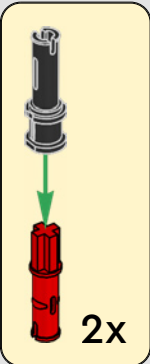


292

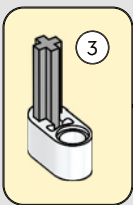
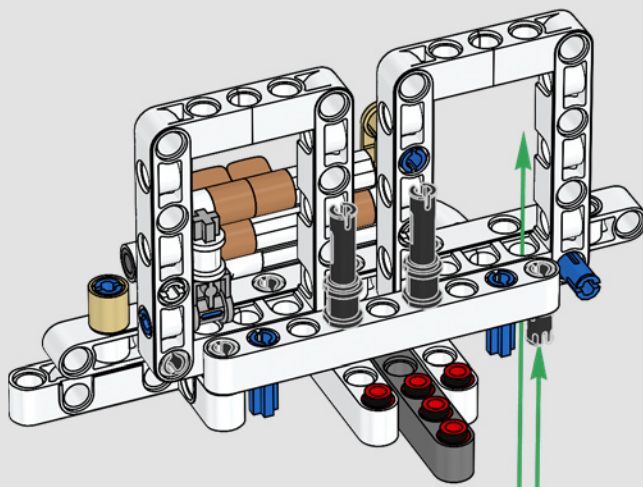


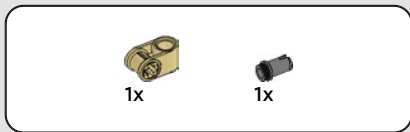


293

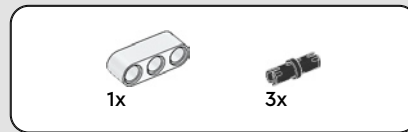
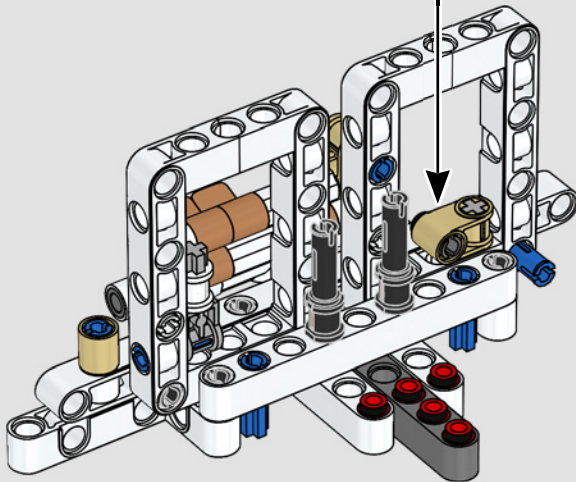
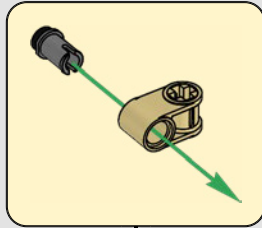


294

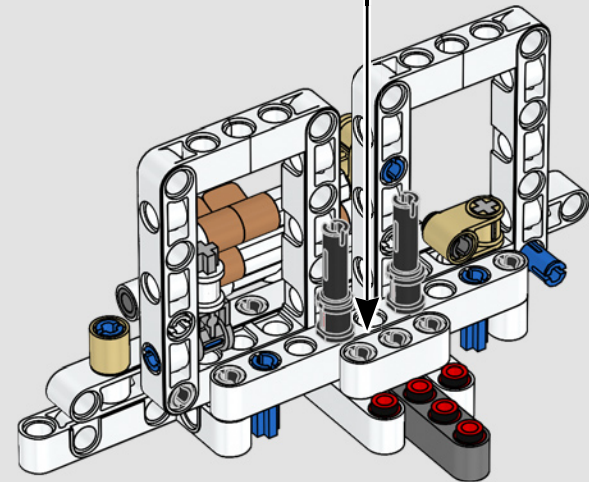
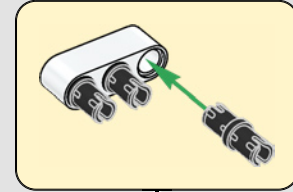




295



296



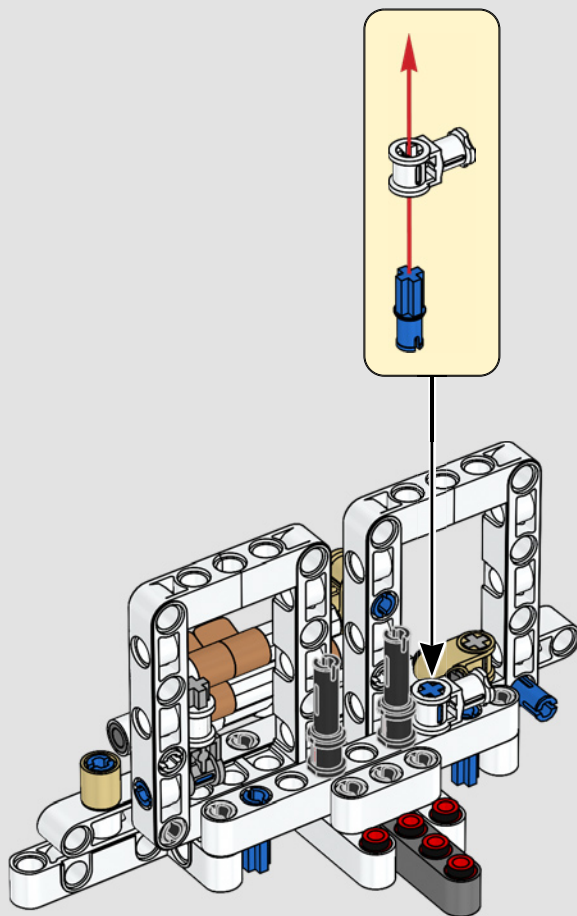


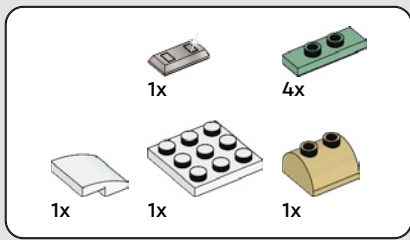
1x



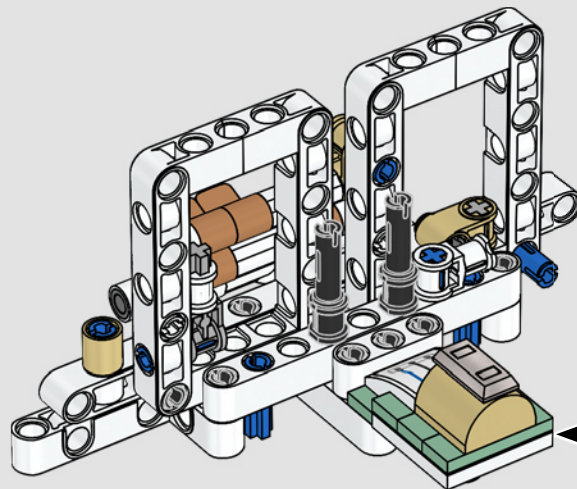
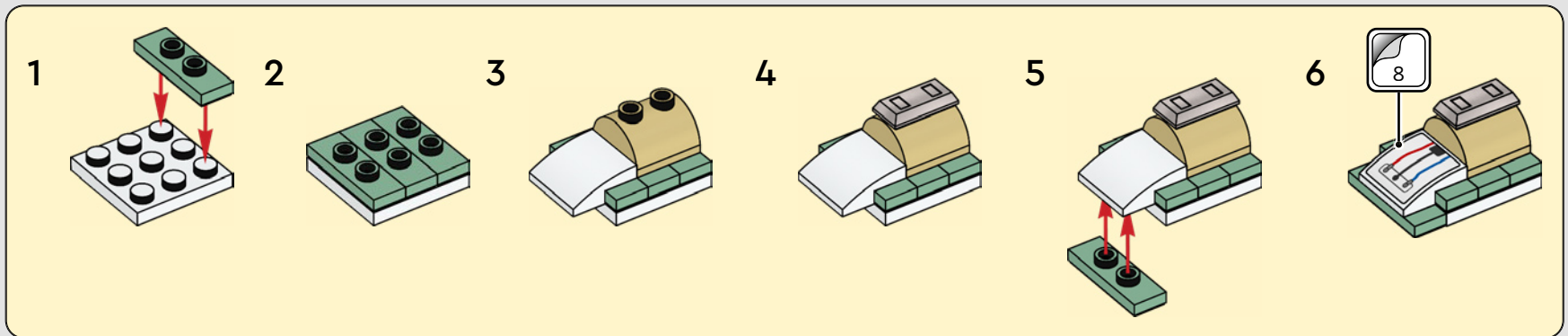
1x

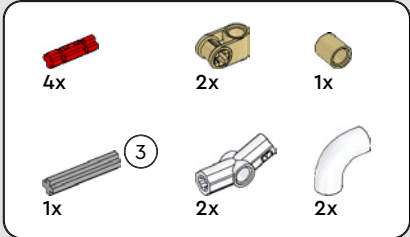
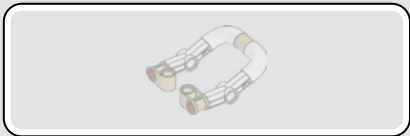
297



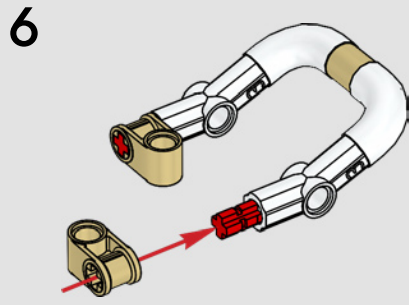
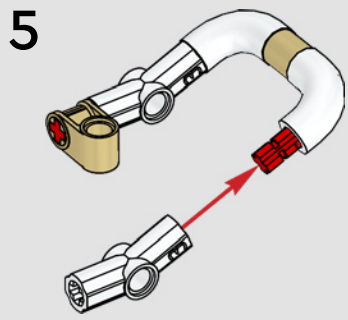
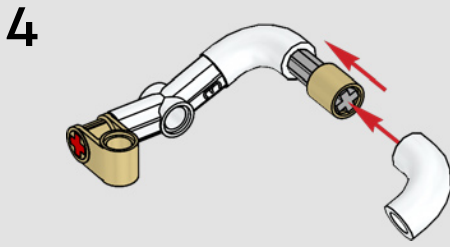
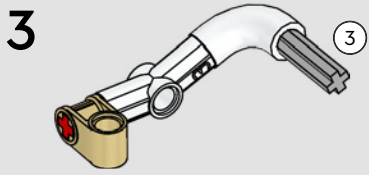
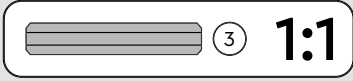
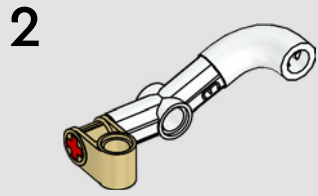
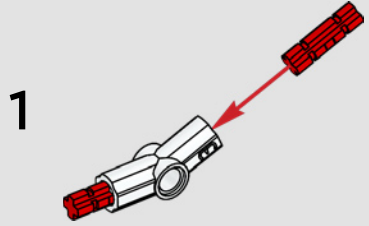


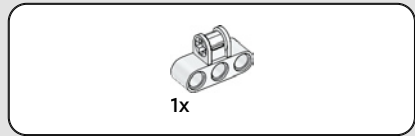
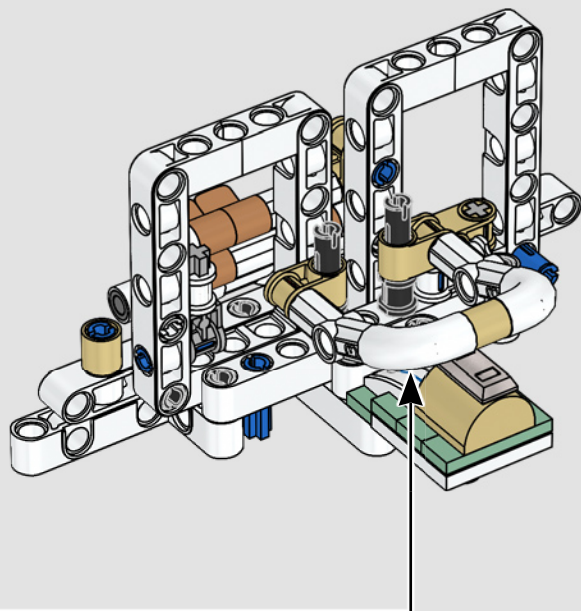
298



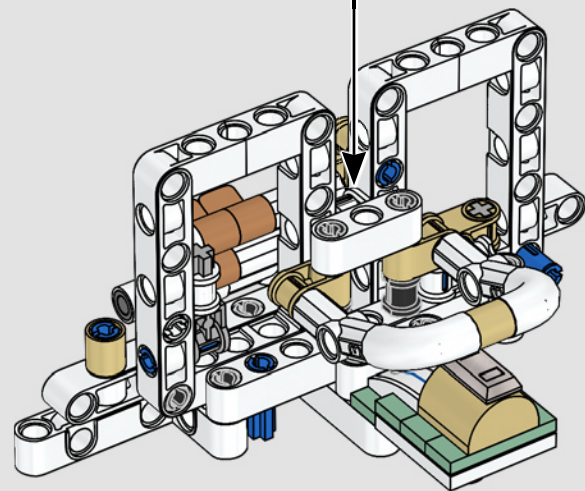
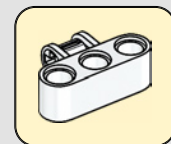


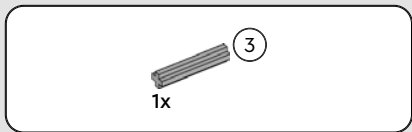
299



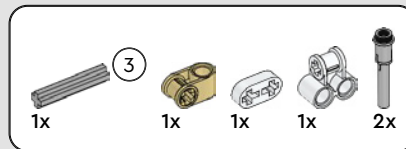
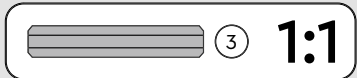
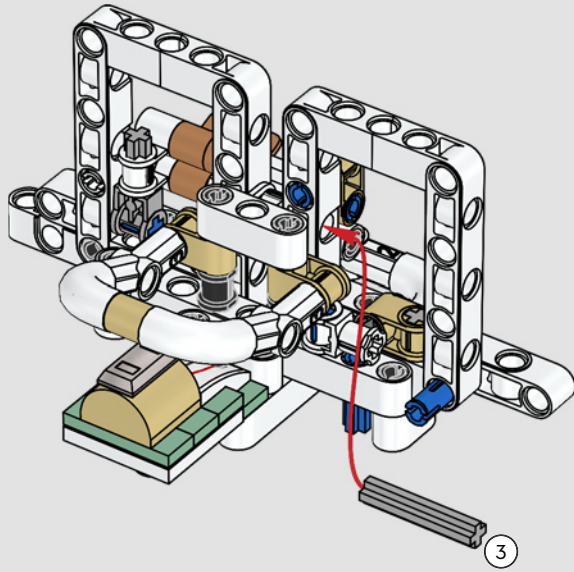


300

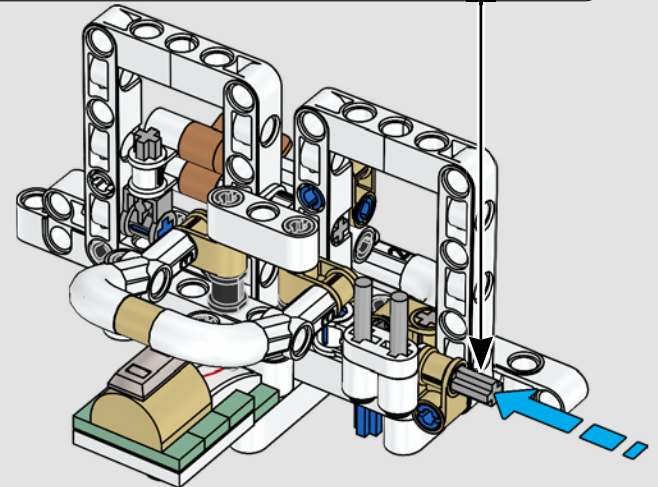
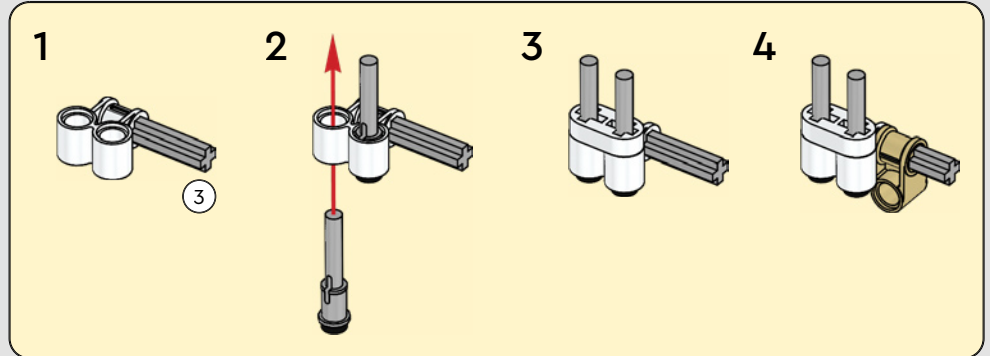


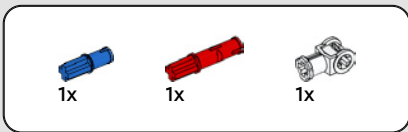


301

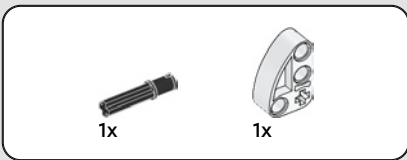
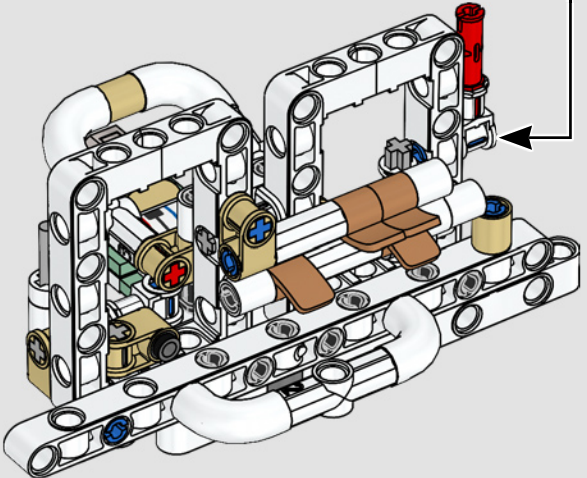
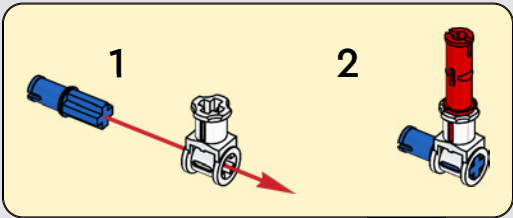


302

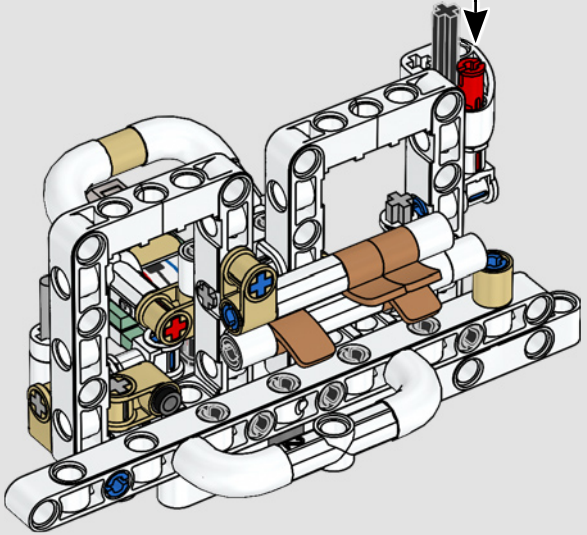
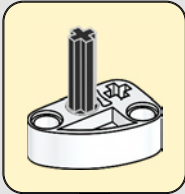


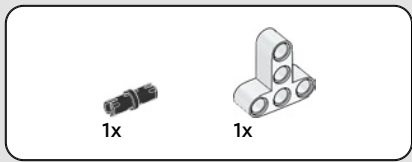


303

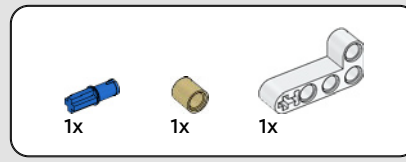
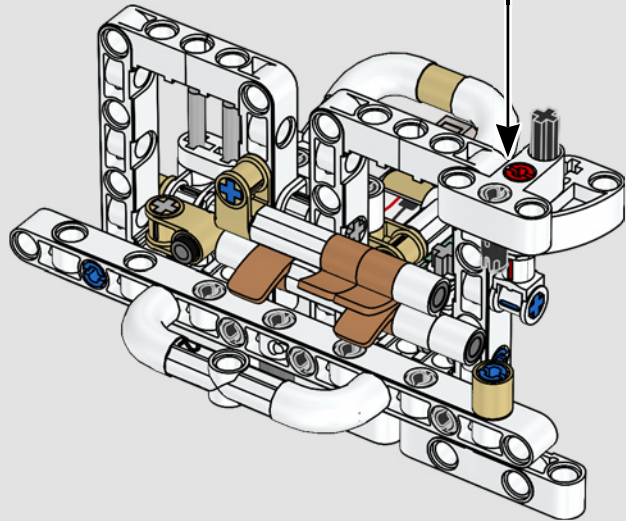
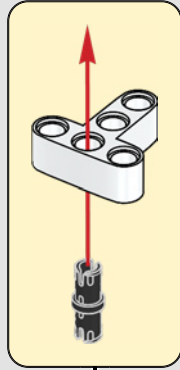


304

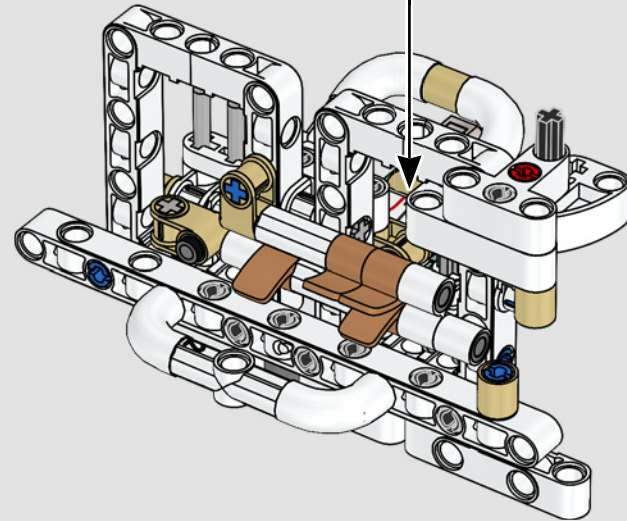
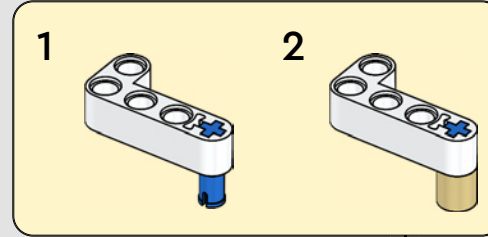


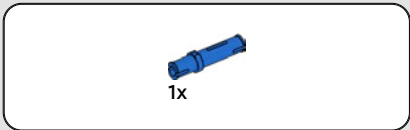


305

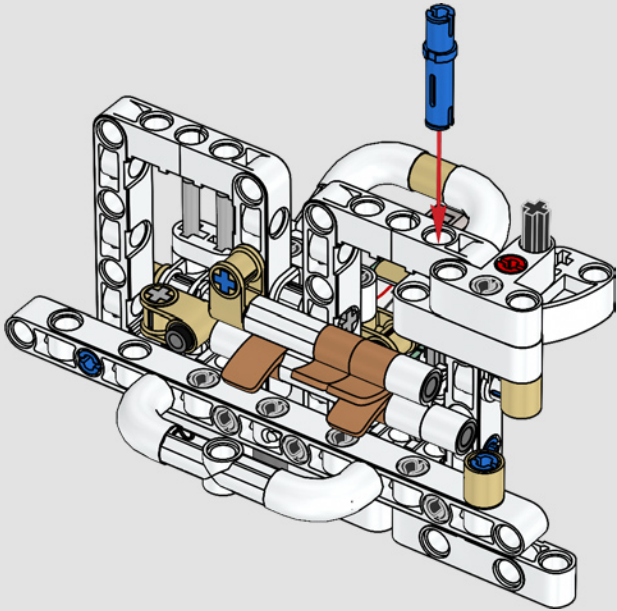


306

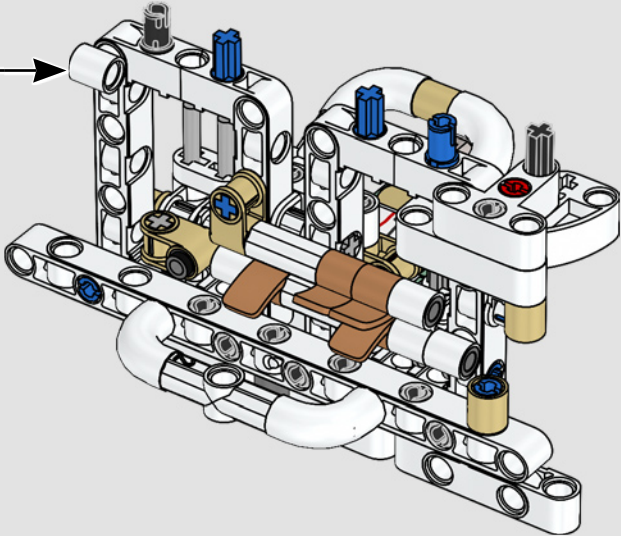




307



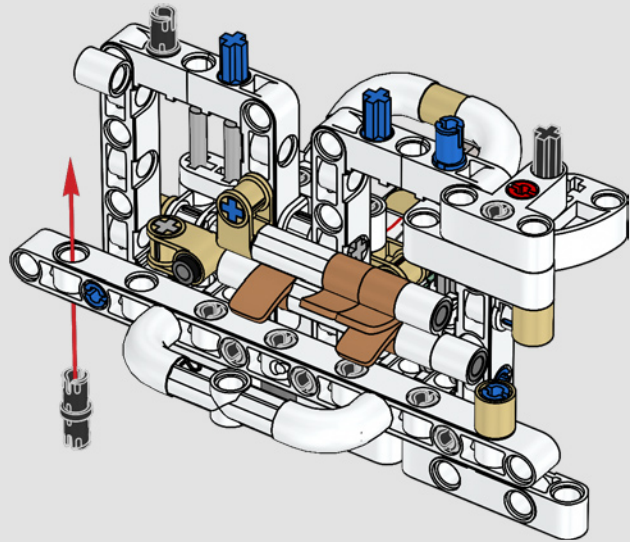
308





1x

309

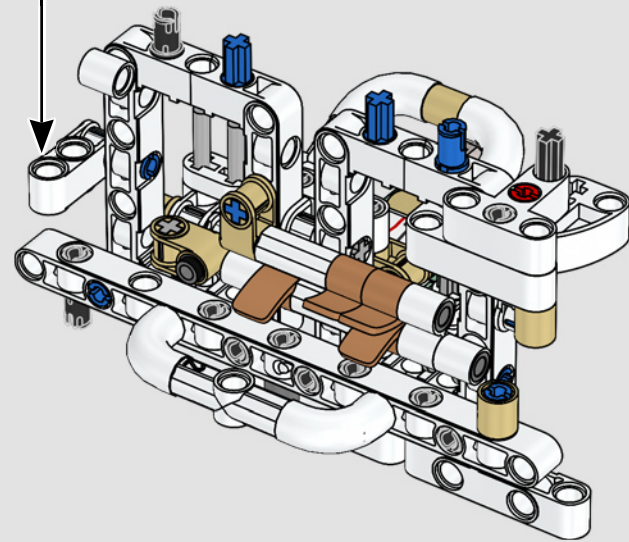
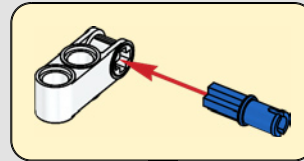


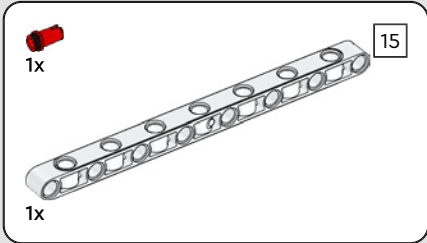
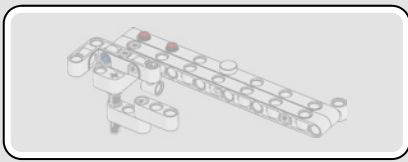
1x



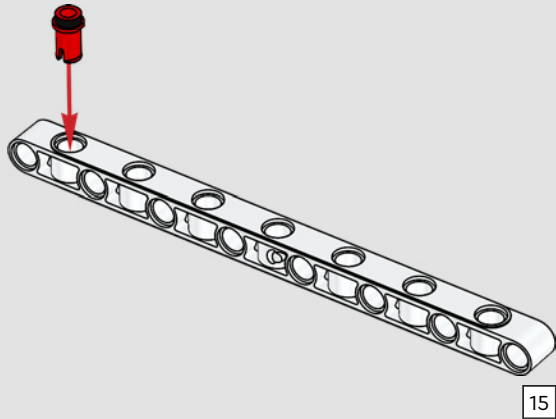
1x

310

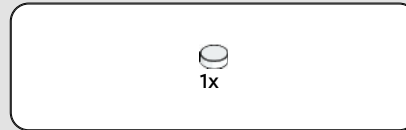
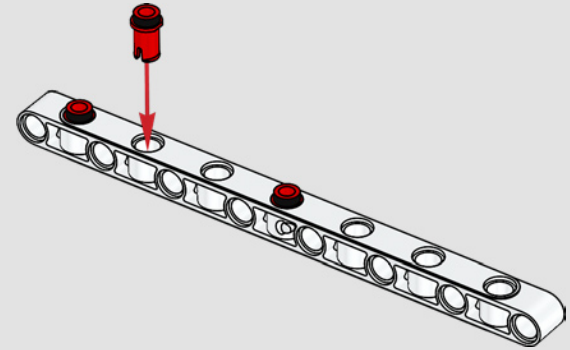




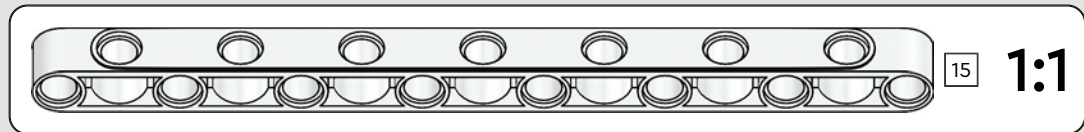
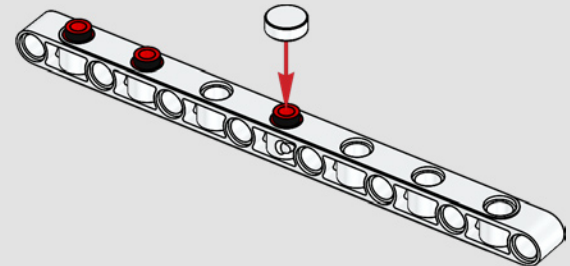
311

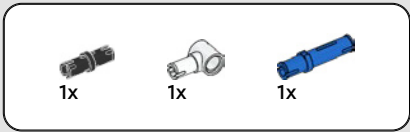


312

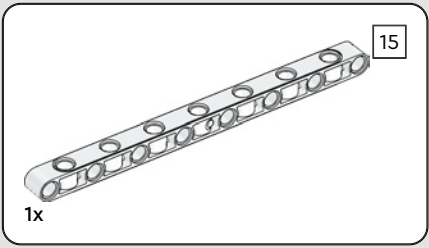


313

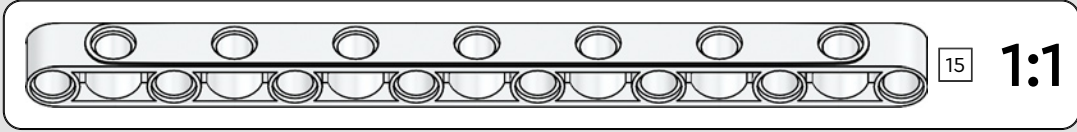
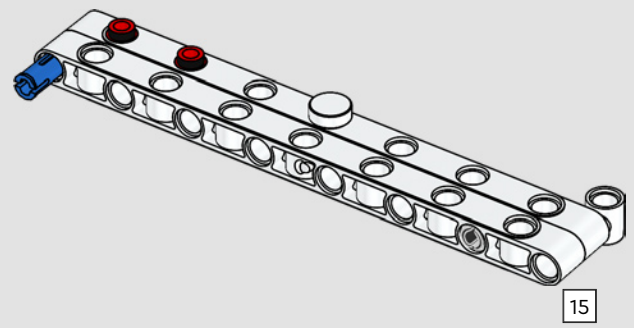
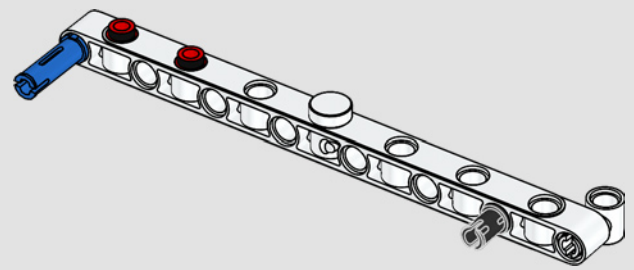


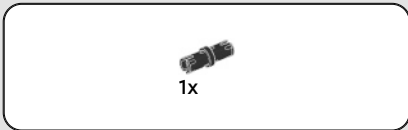


314

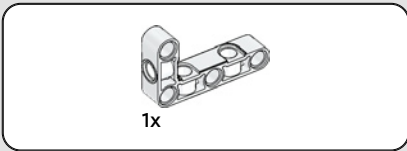
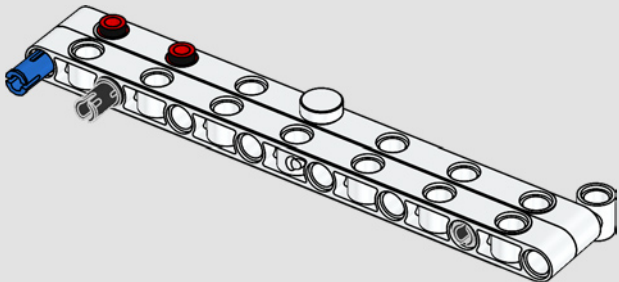


315

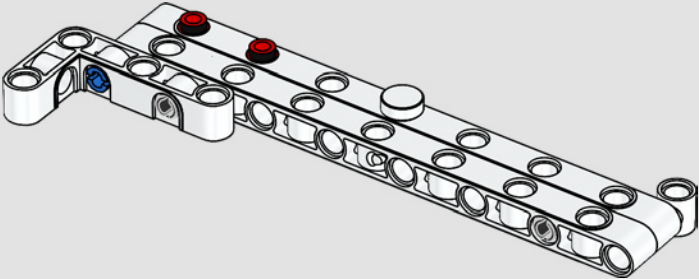




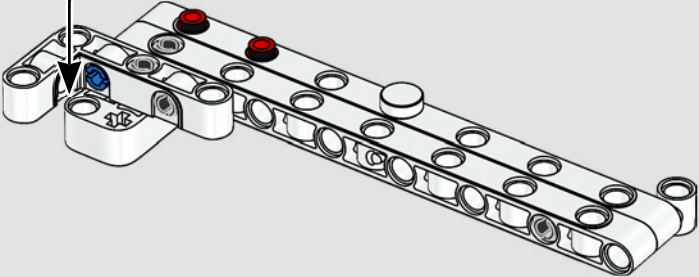
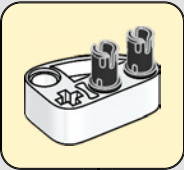
316



317



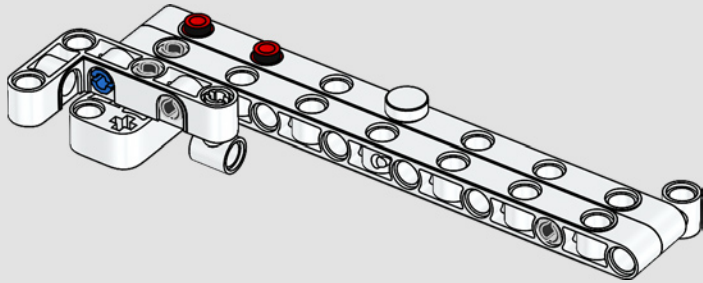
318





1x

319

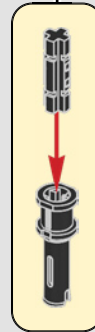
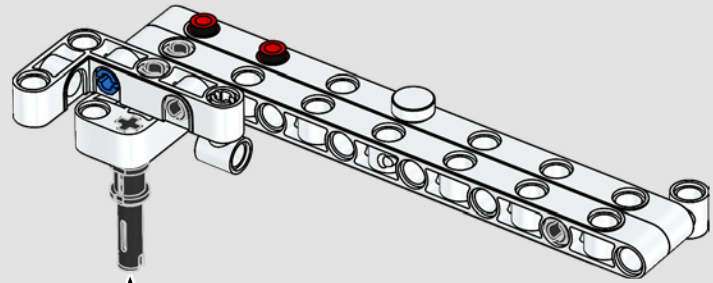


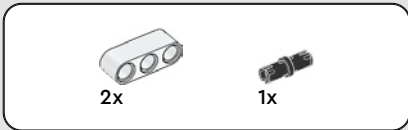
1x



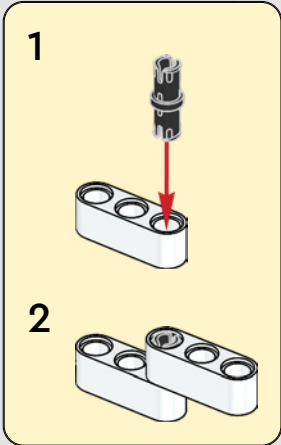
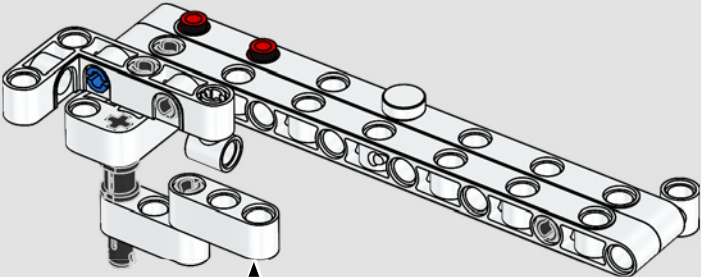
1x

320

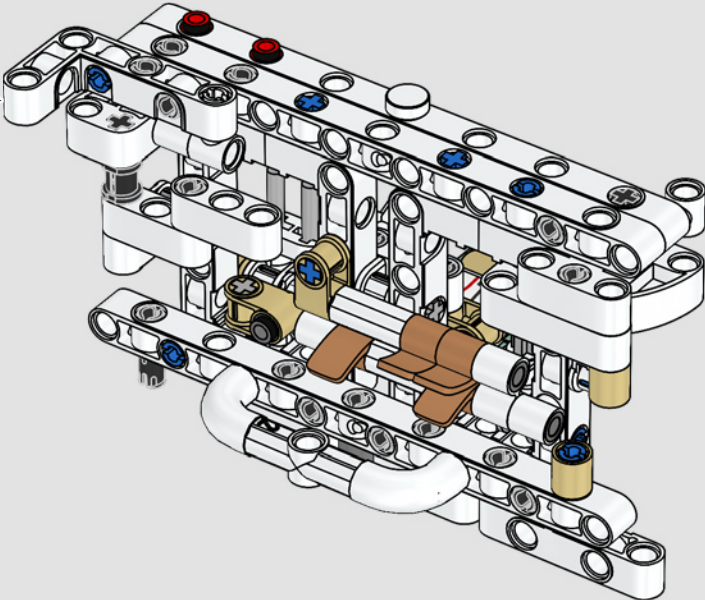


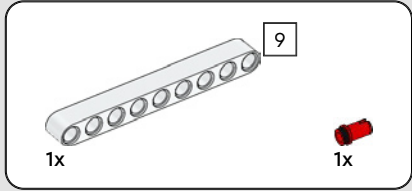
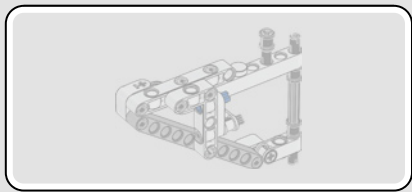


321

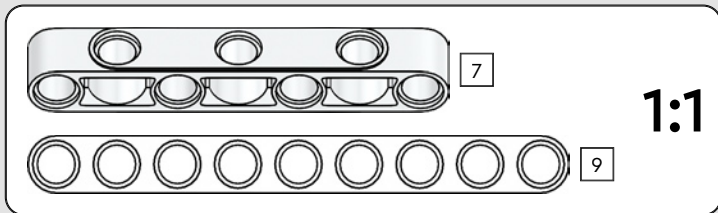
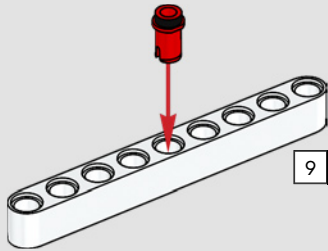


322

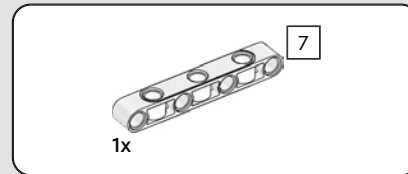
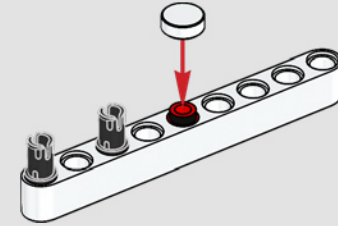




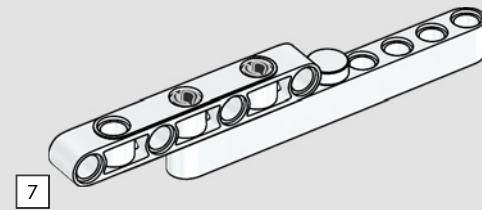
323

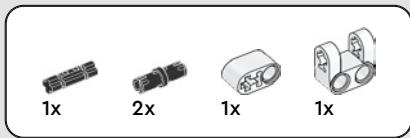


324

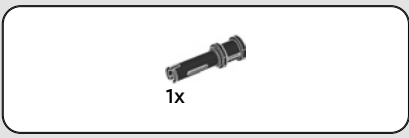
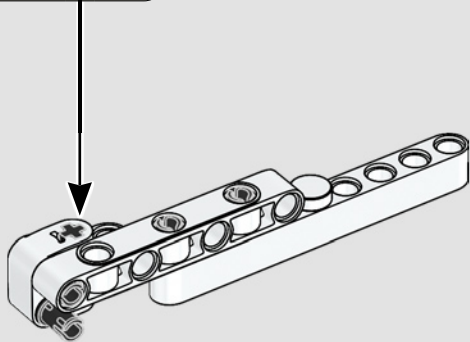
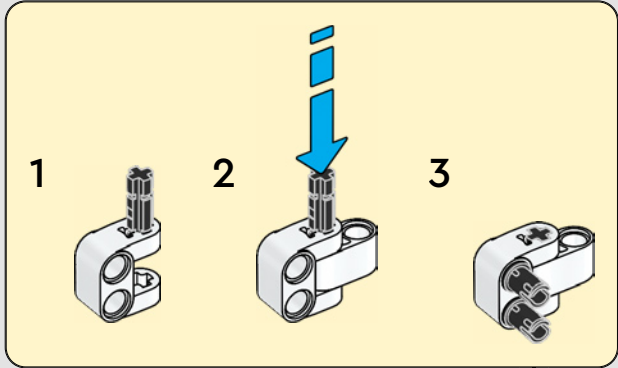


325

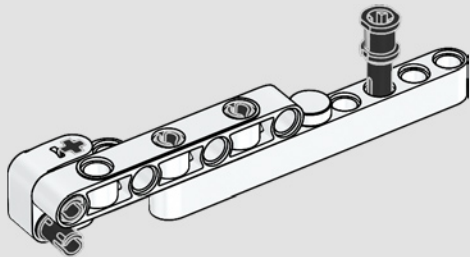


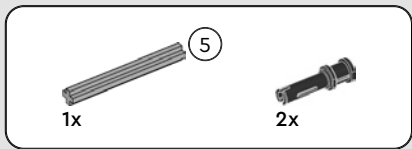


326

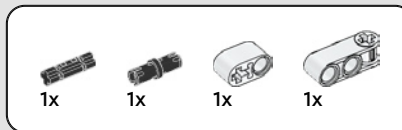
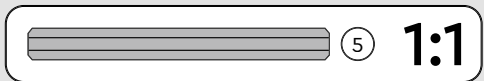
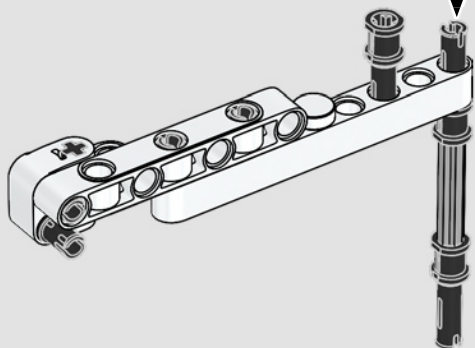
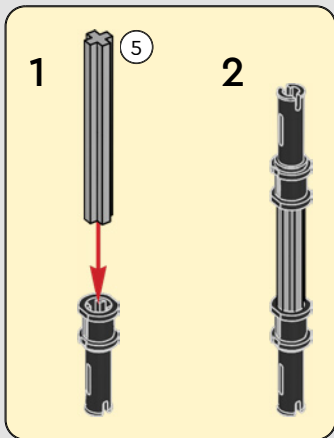


327

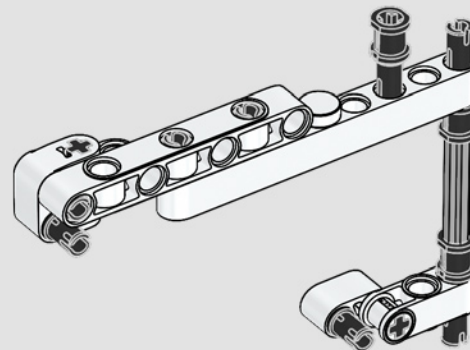
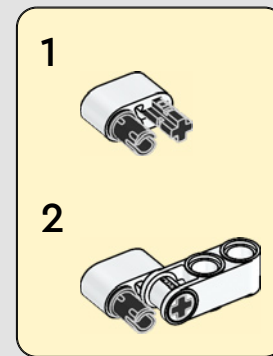


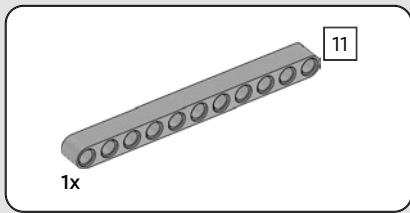


328

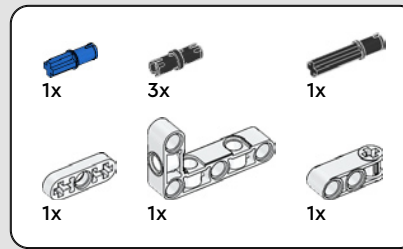
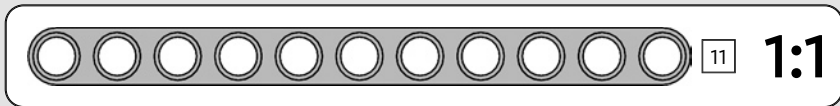
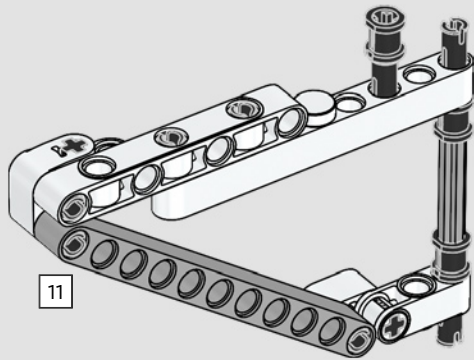


329

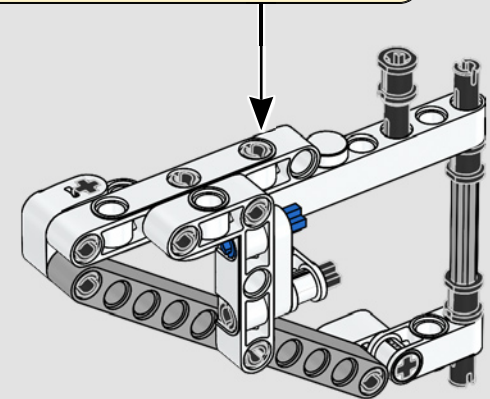
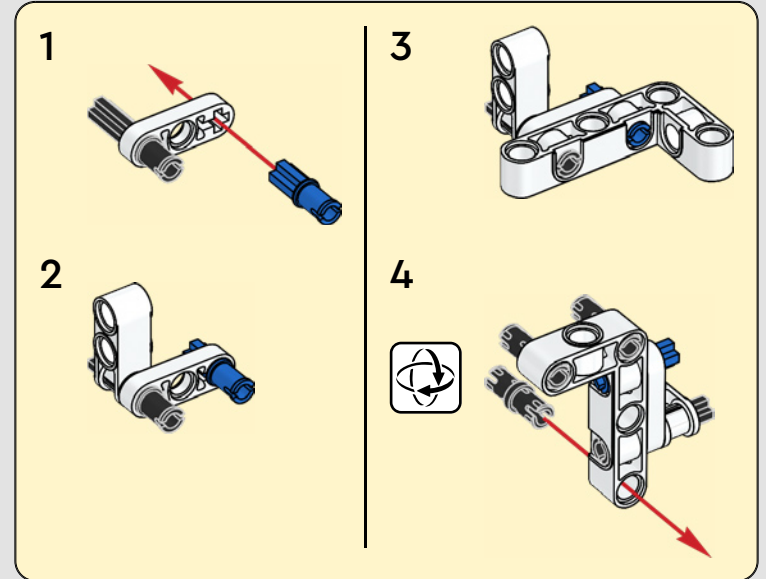




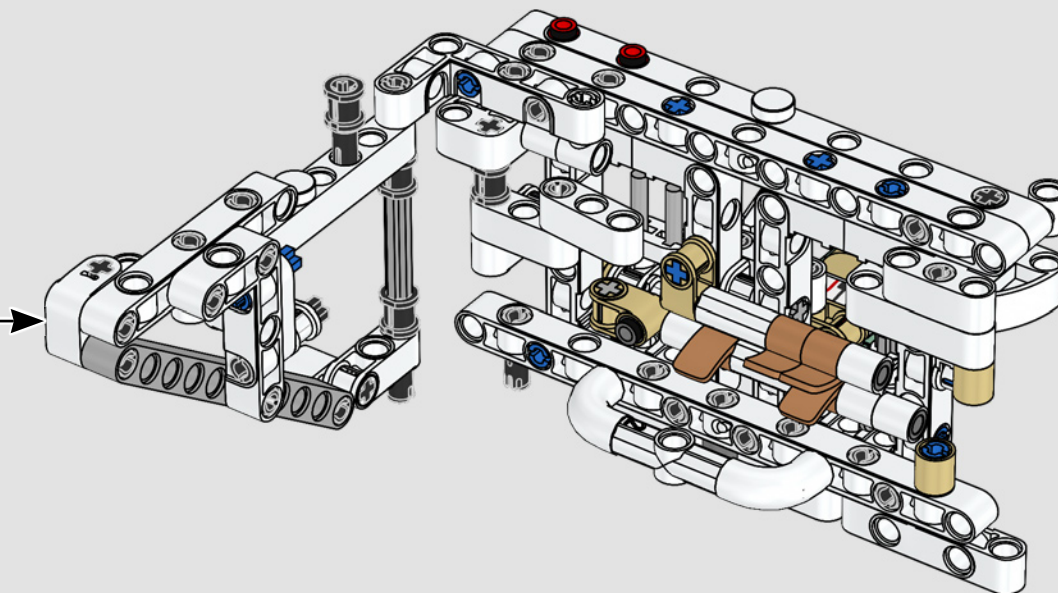
330



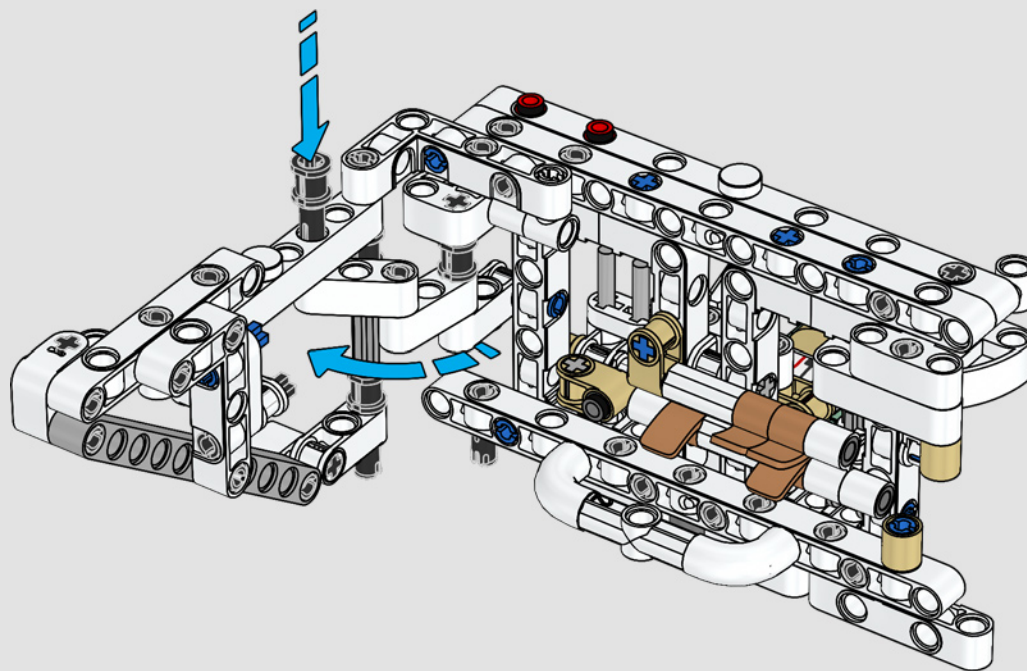
331

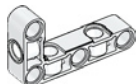


332



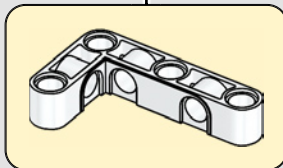
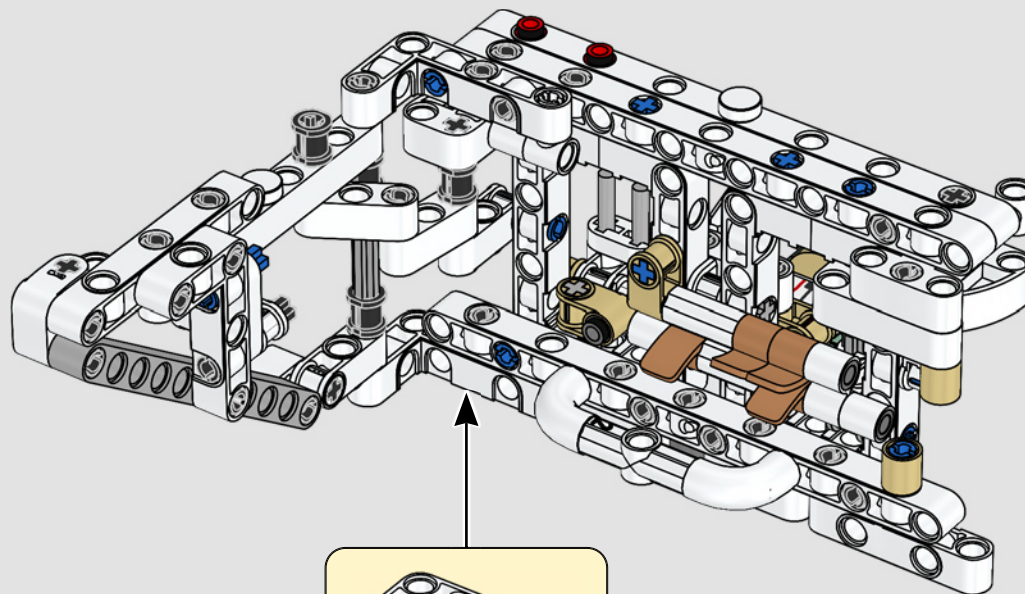
333

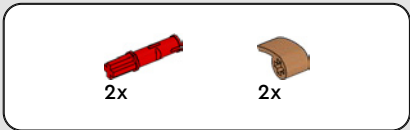




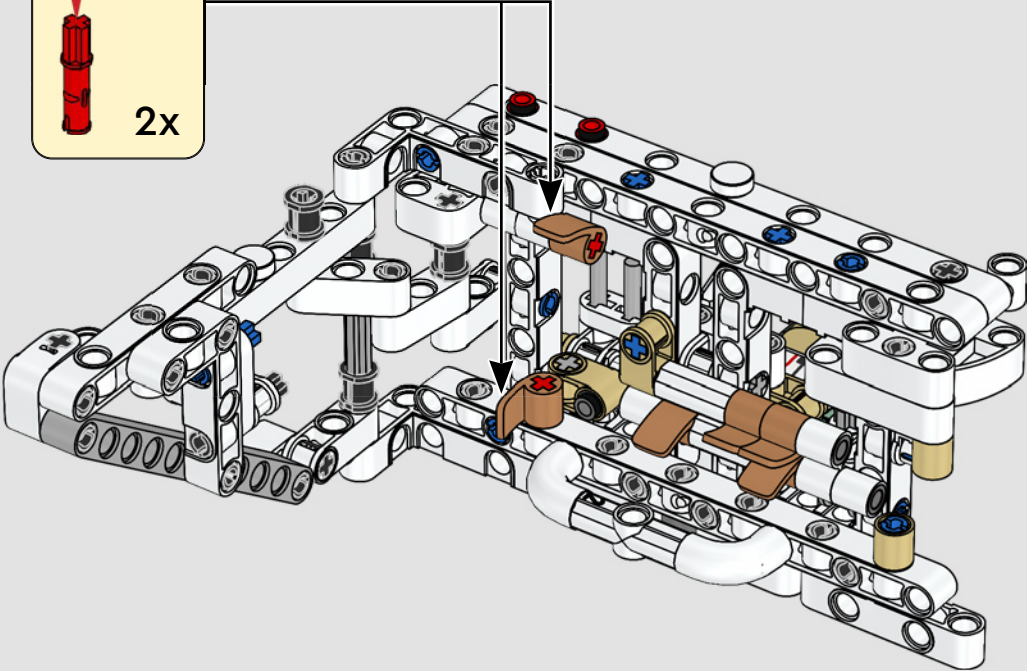
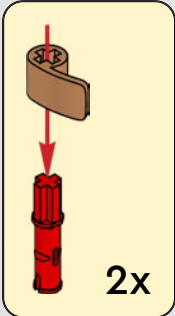
1x

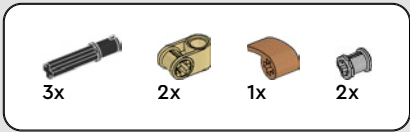
334



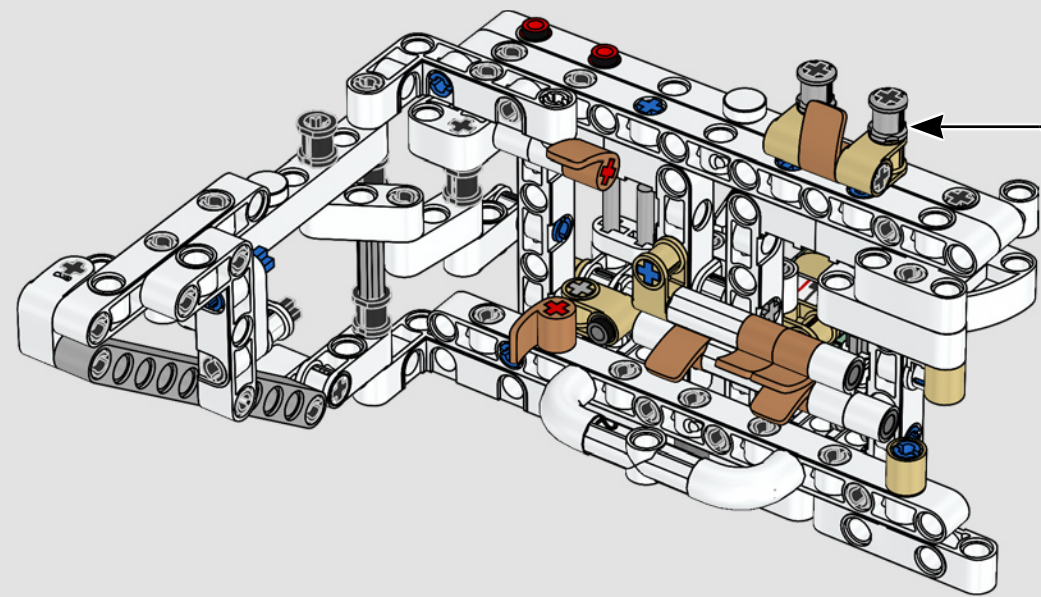
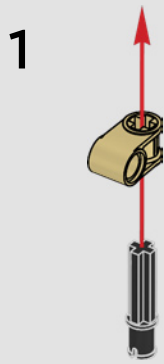
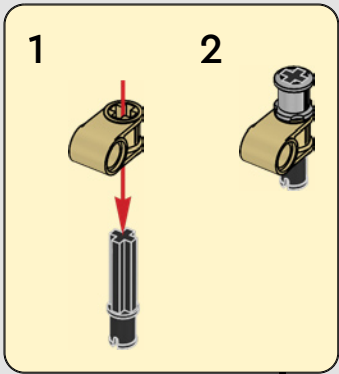


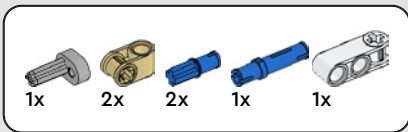
335



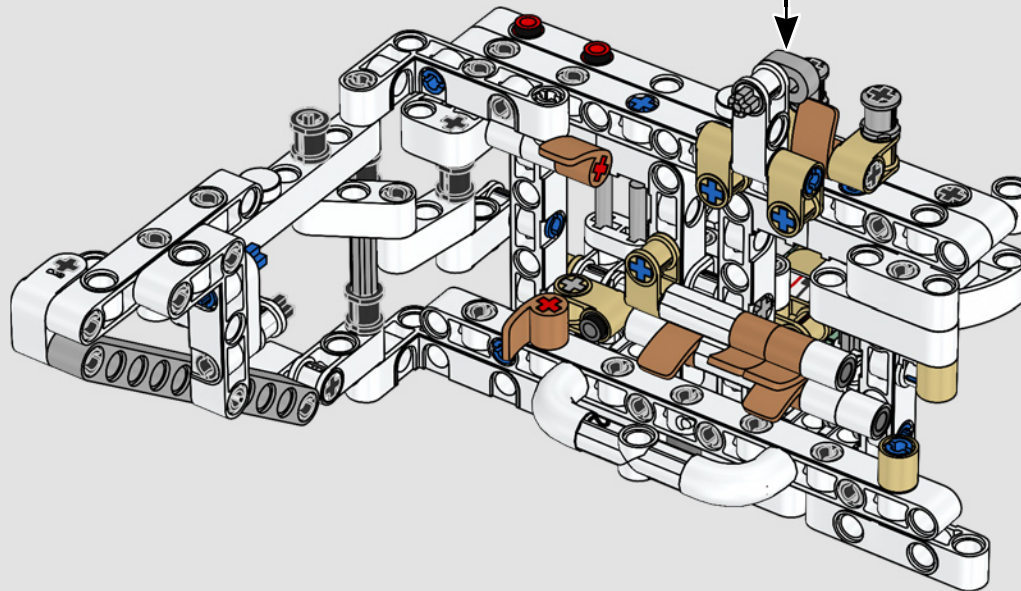
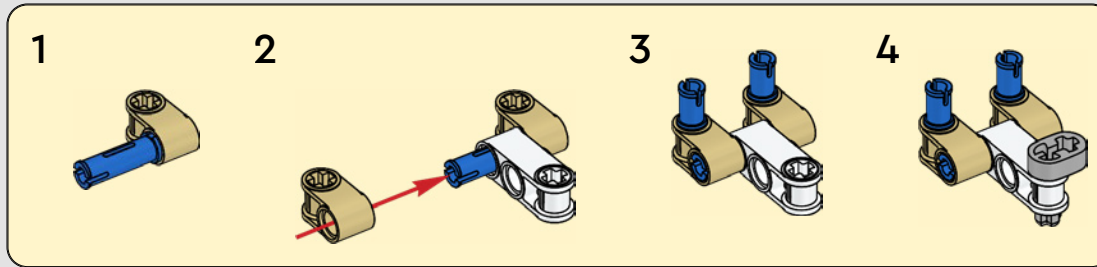


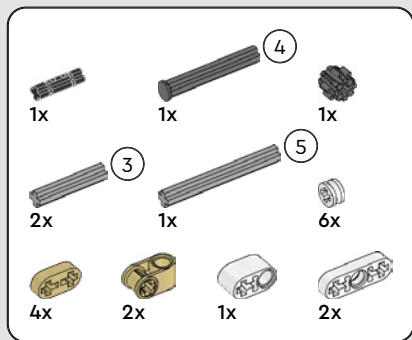
336





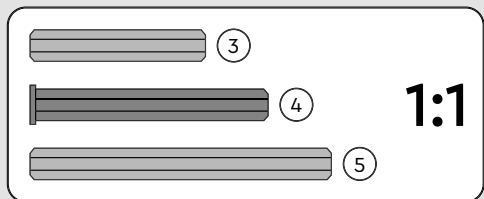
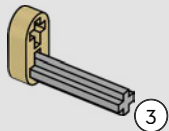
337



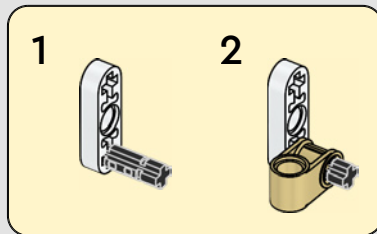
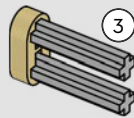


338

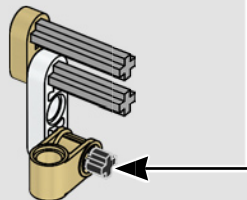
1



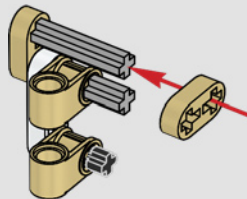
2



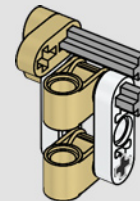
3



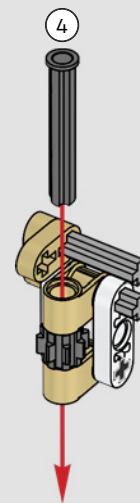
4



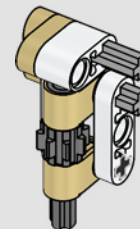
5



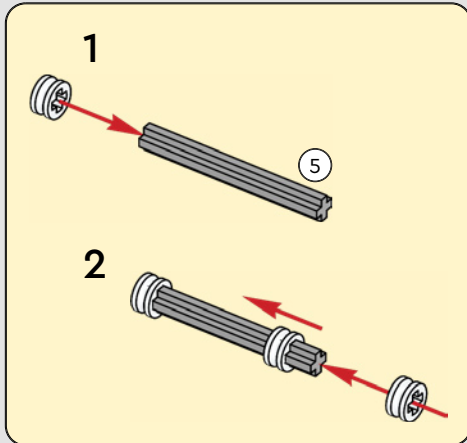
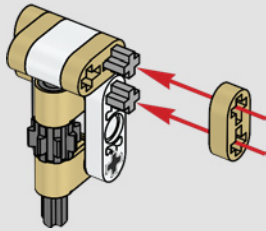
6



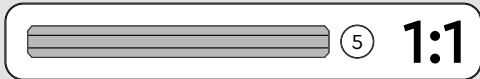
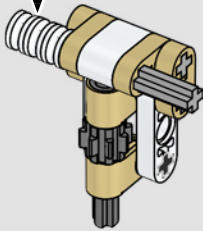
7



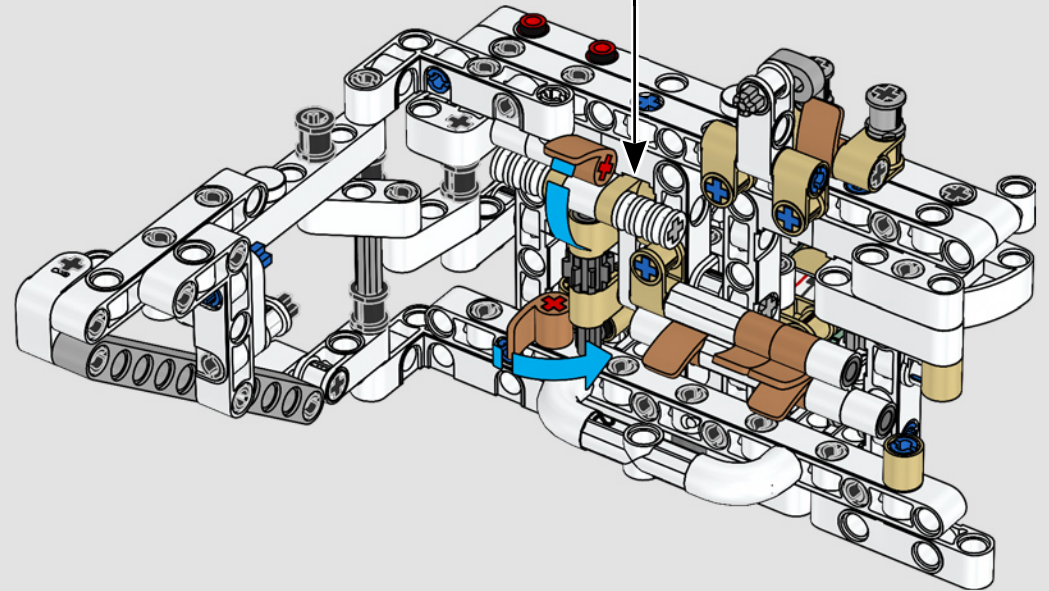
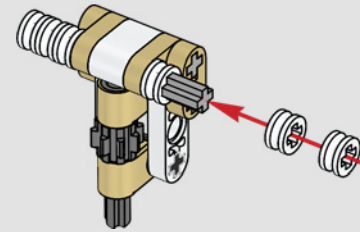
8

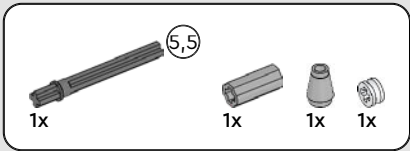


9

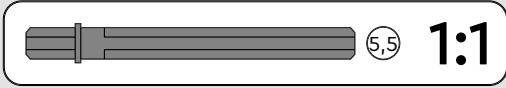
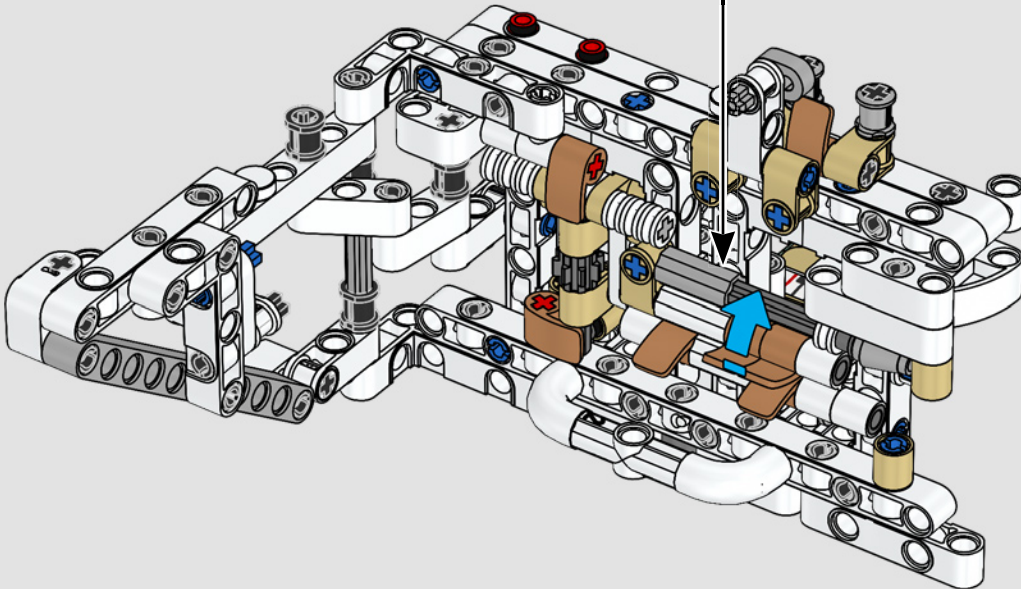
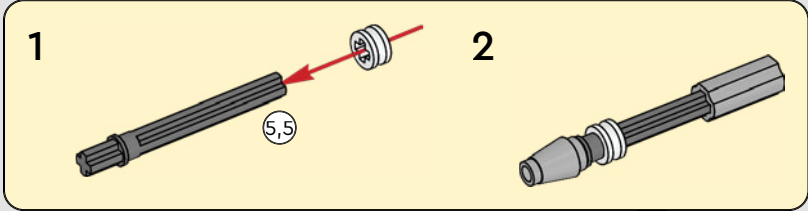


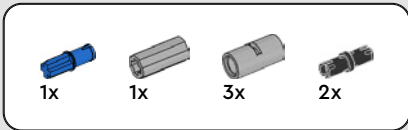
10



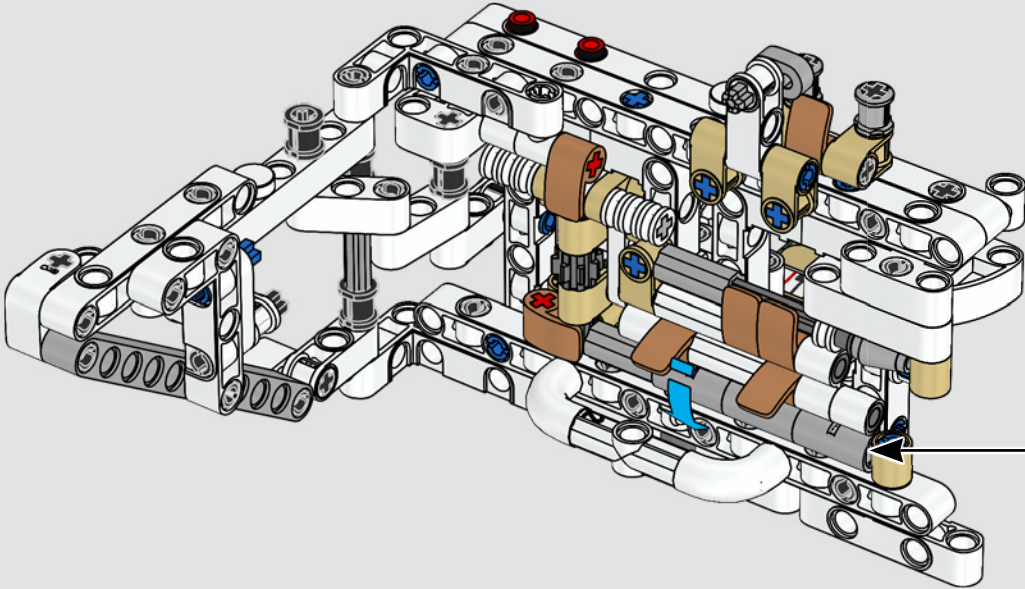
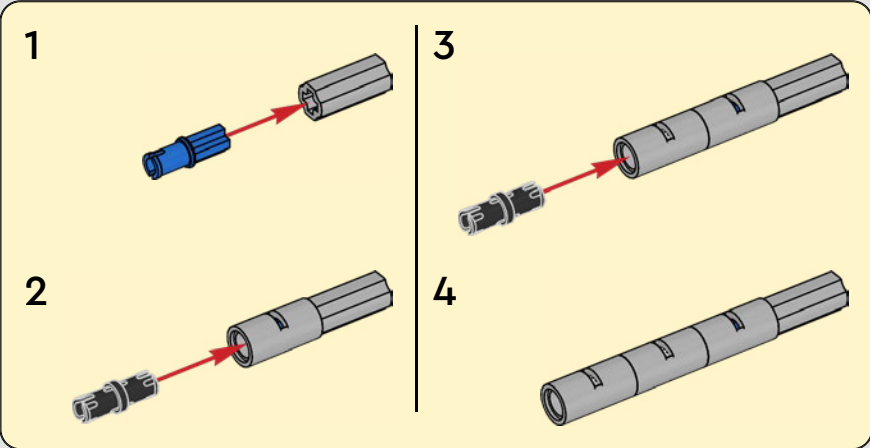


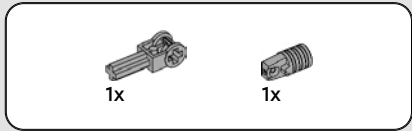
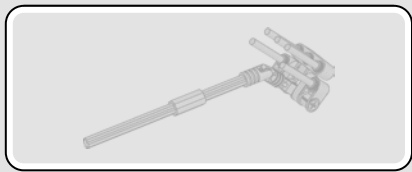
339



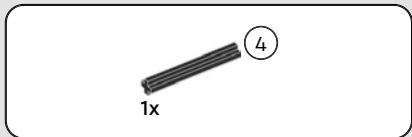
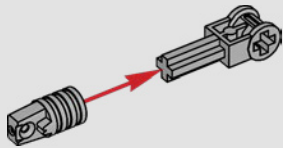


340

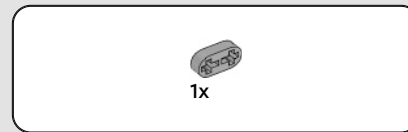
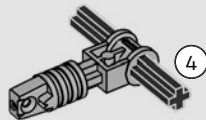




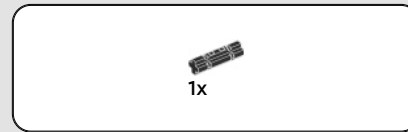
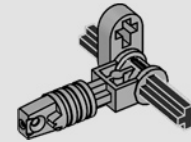
341



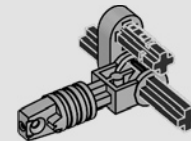
342

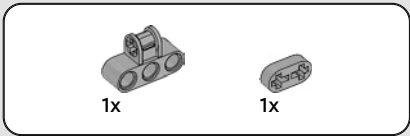


343

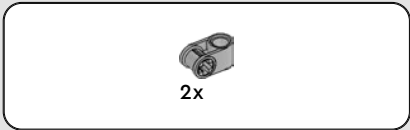
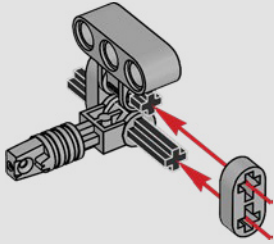


344

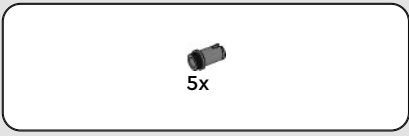
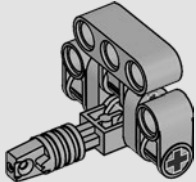




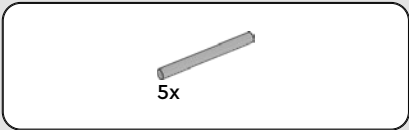
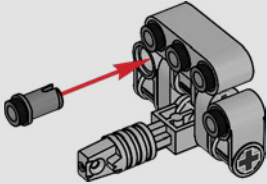
345



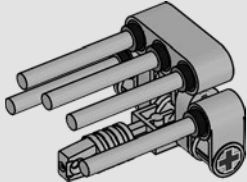
346

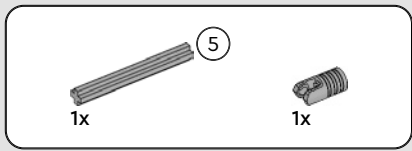


347

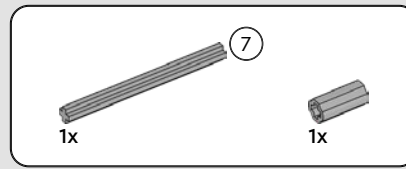
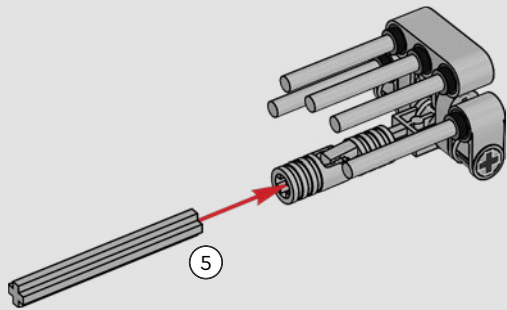


348

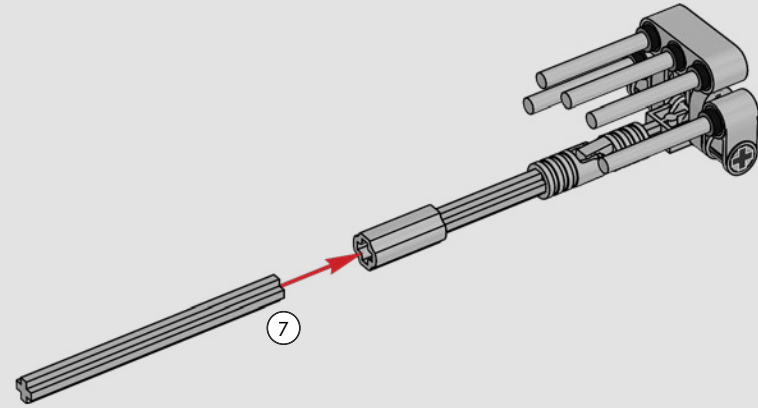




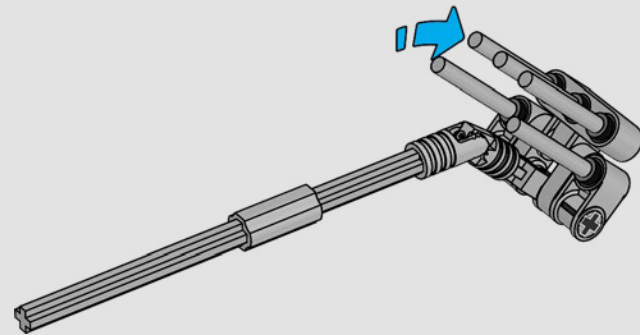
349



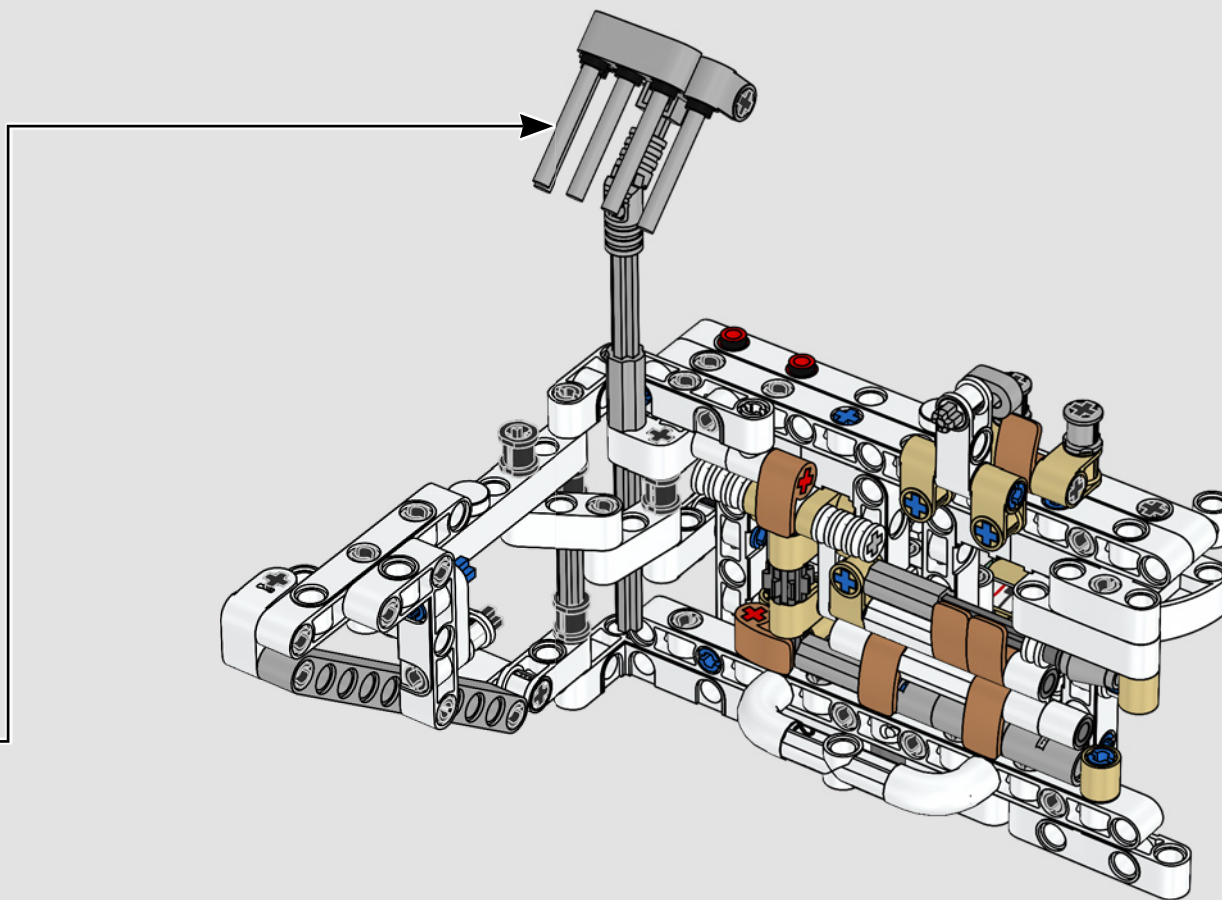
350

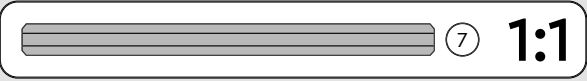
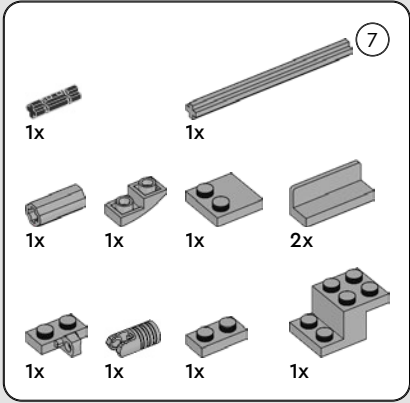
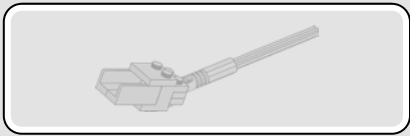


351

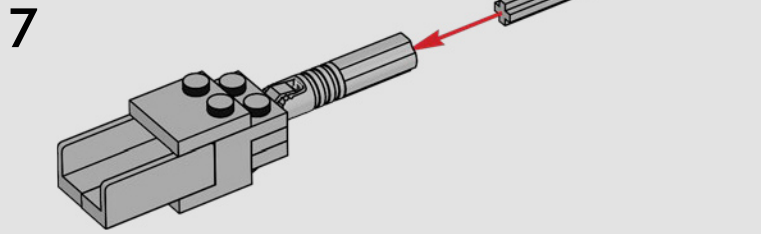
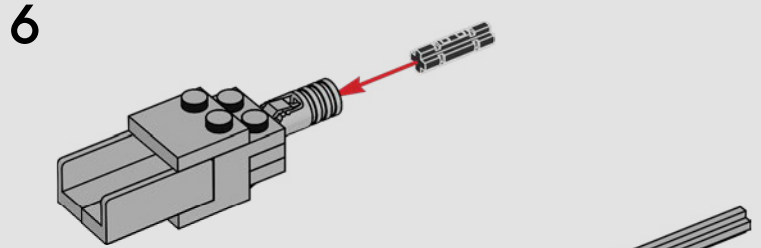
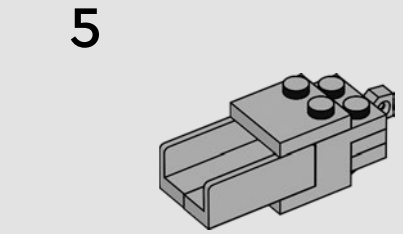
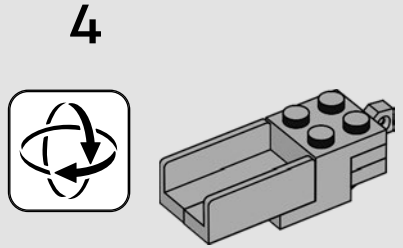
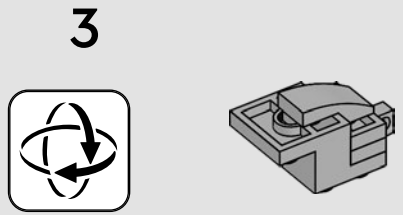
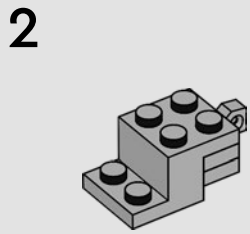
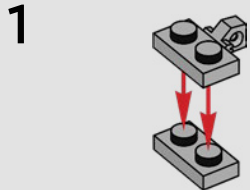


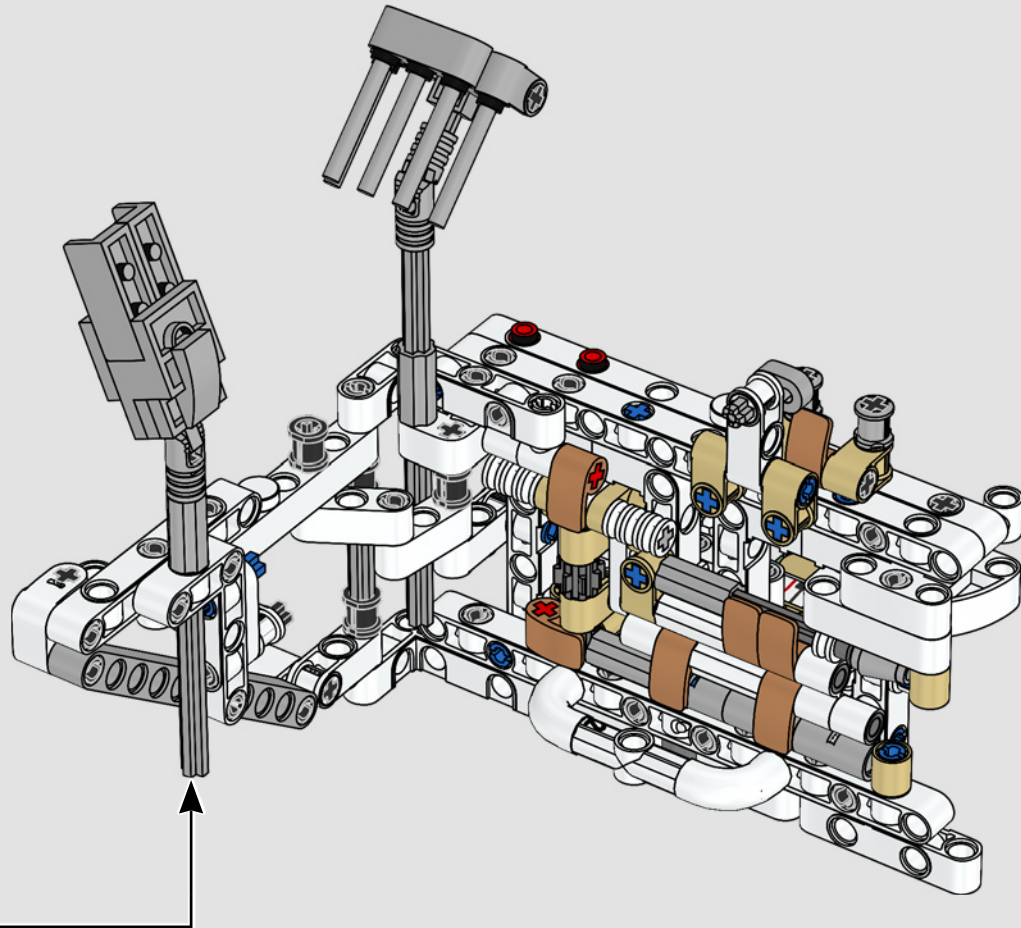
352

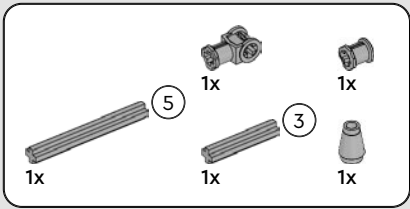




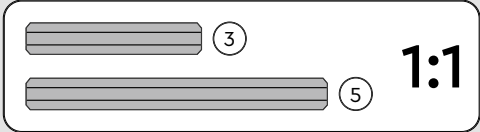
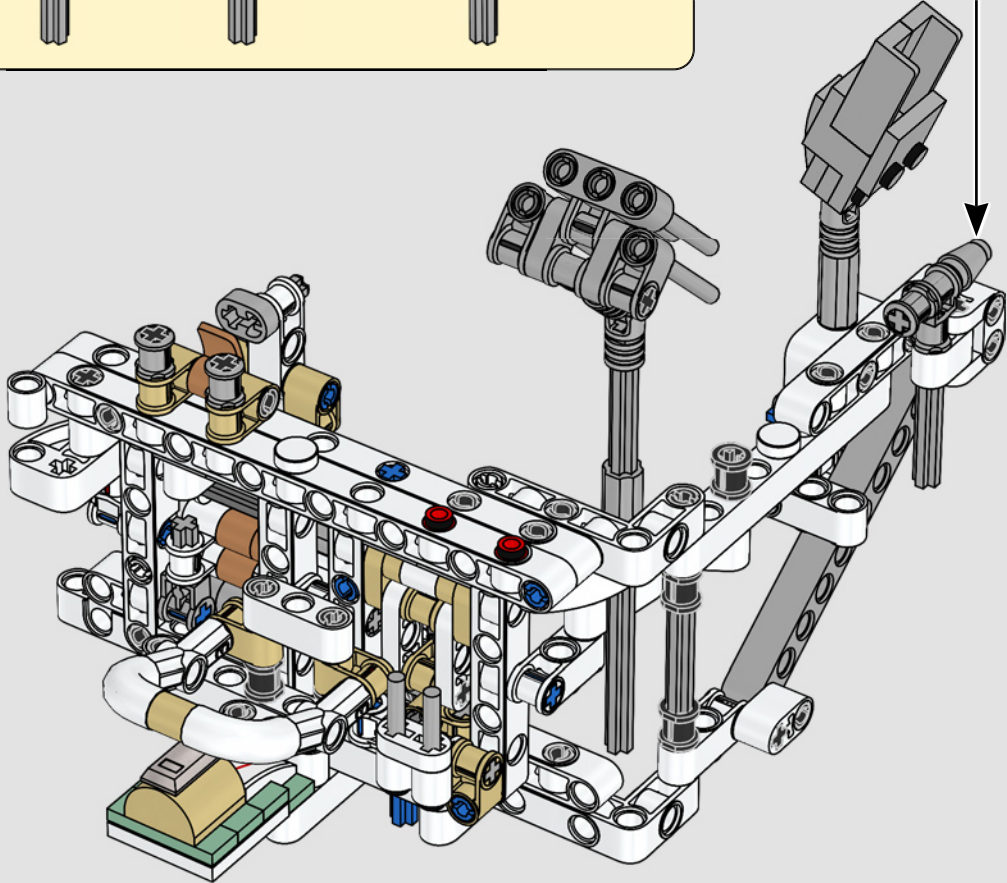
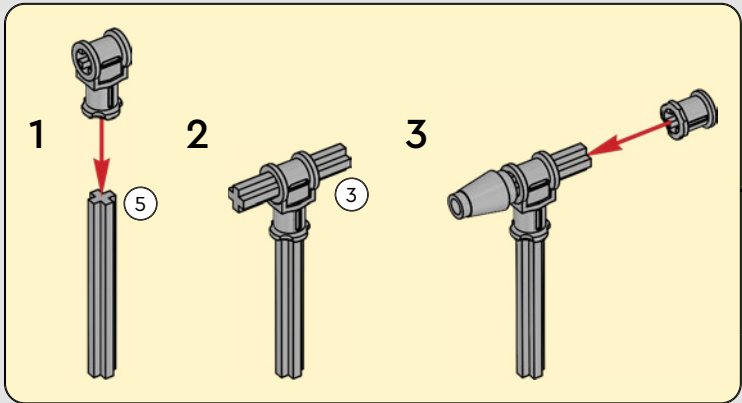
353

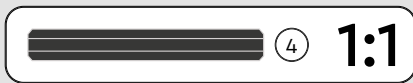
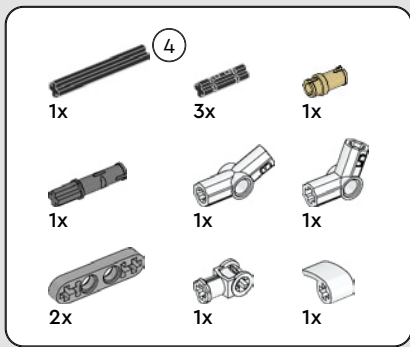




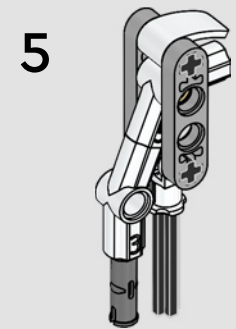
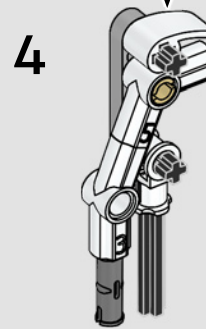
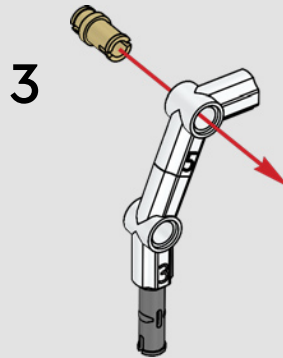
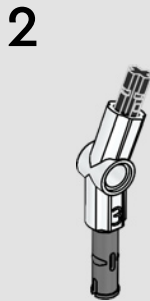
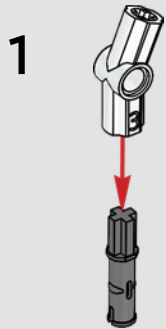
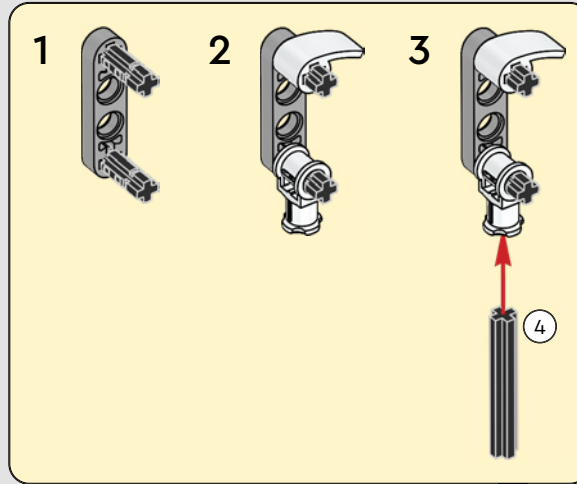


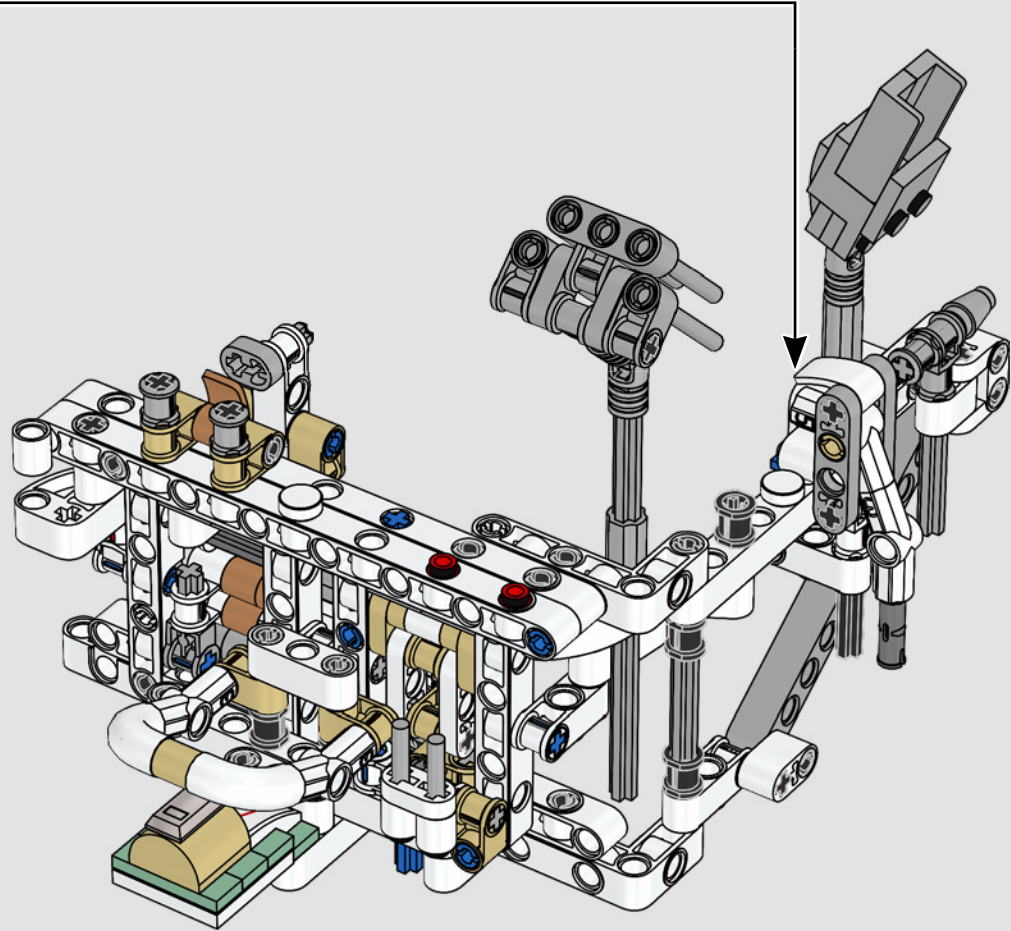
354

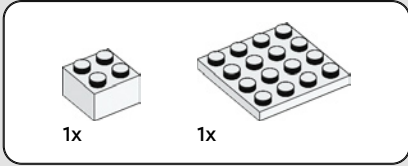




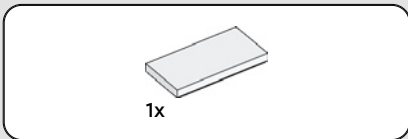
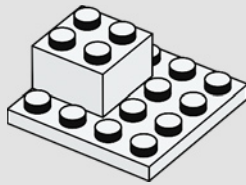
355



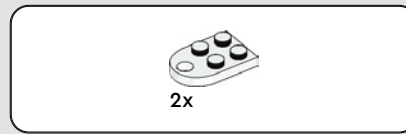
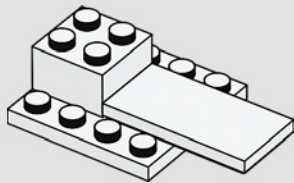




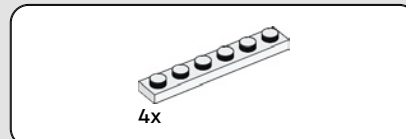
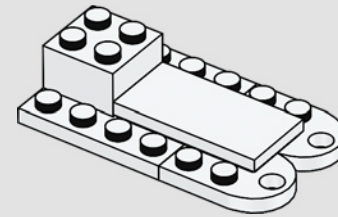
356



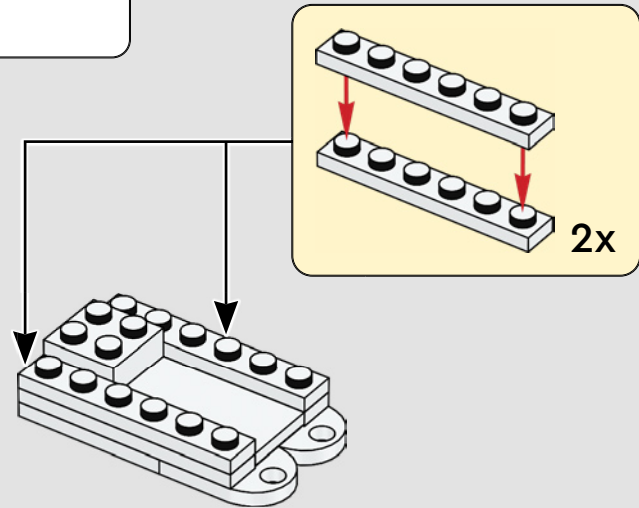
357



358



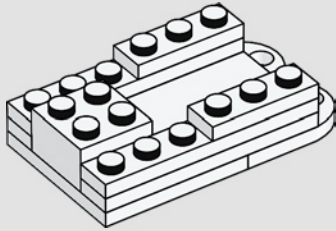
359





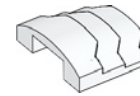
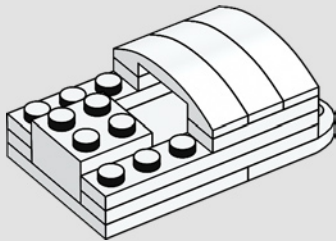
2x

360



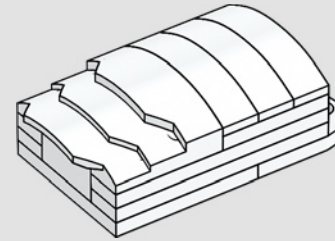
3x

361



1x

362

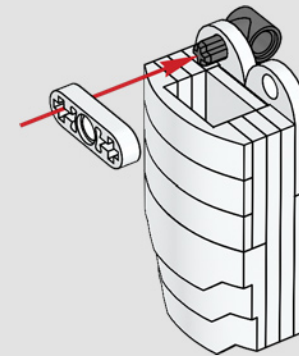
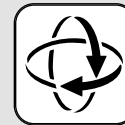


1x



1x

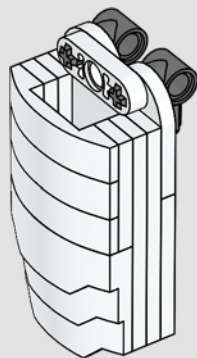
363





1x

364



2x



2x

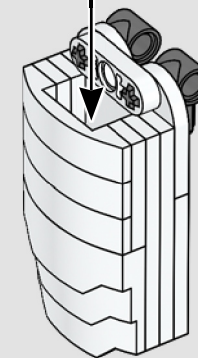
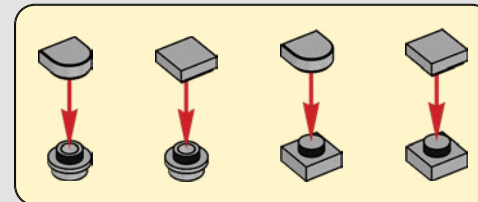


2x



2x

365





2x



2x

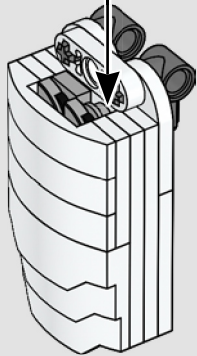
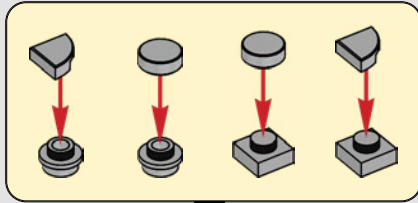


2x

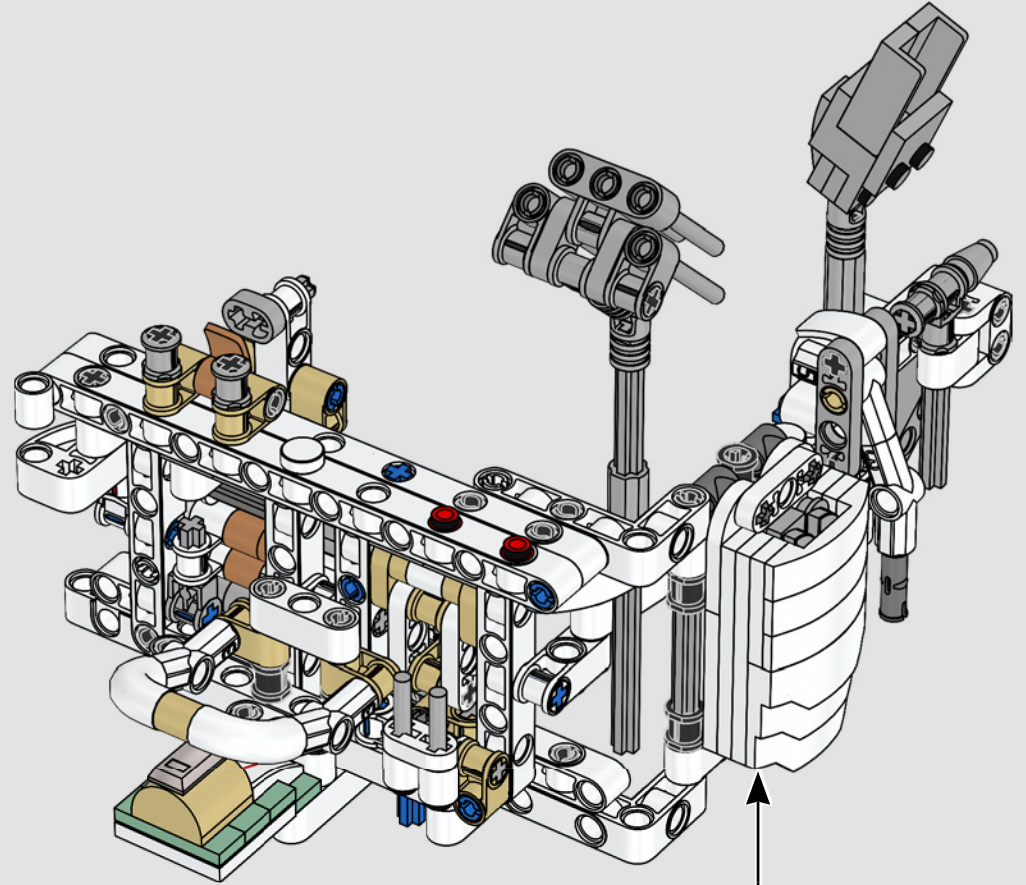


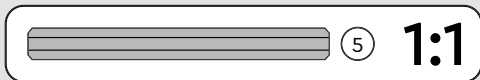
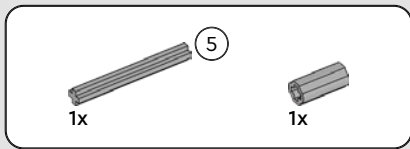
2x

366

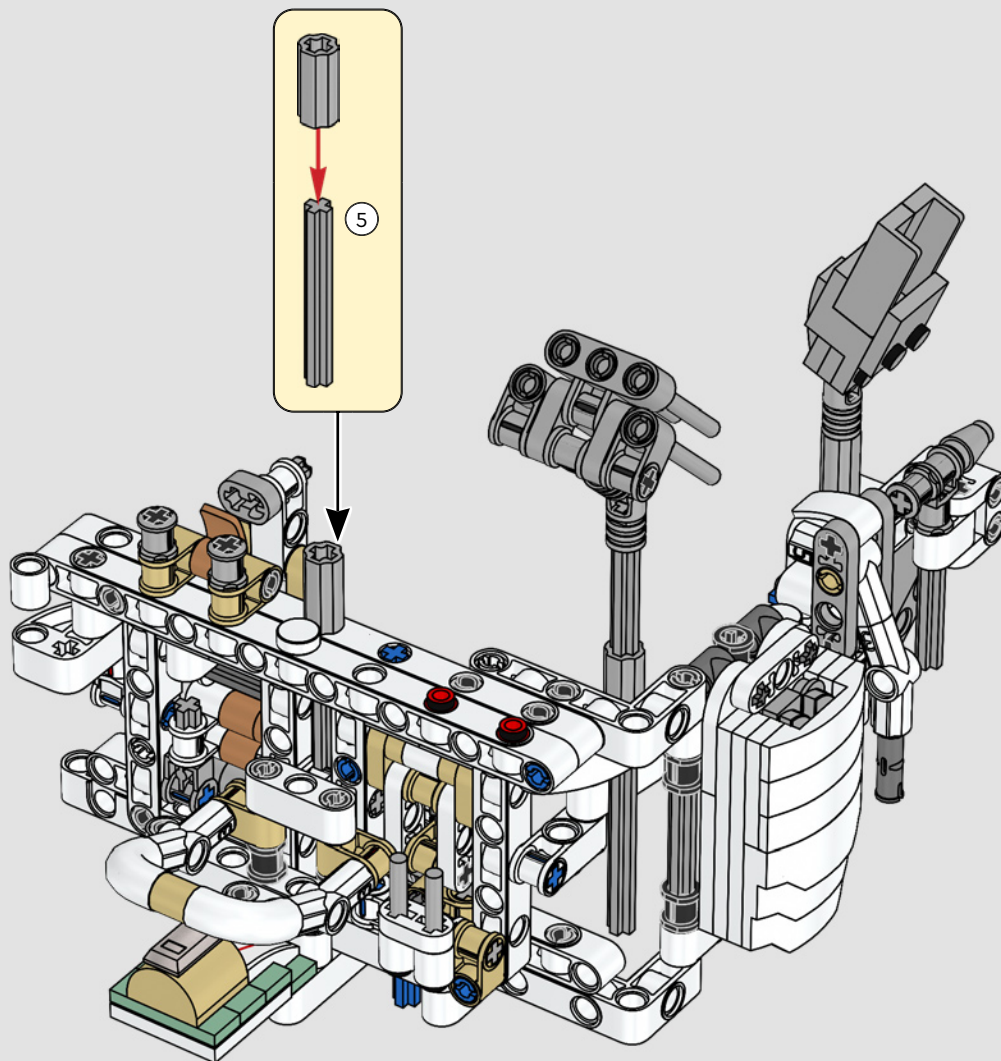


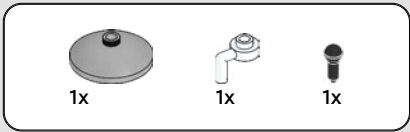
367



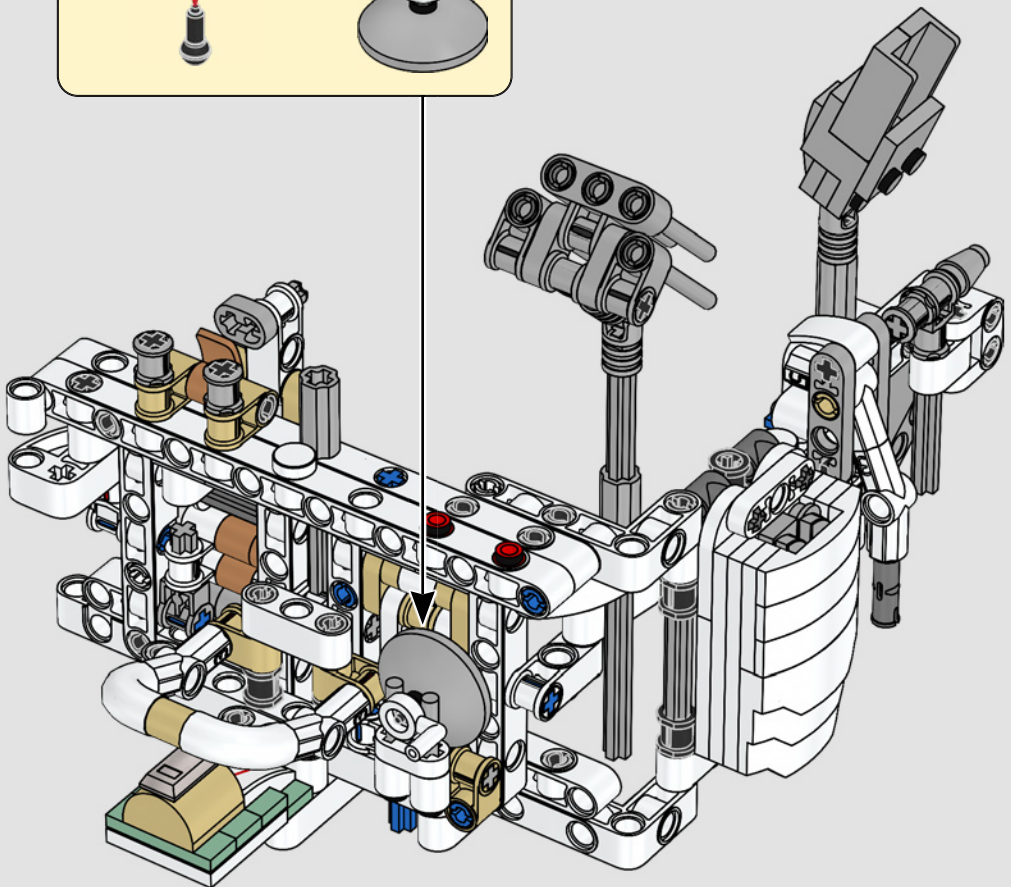
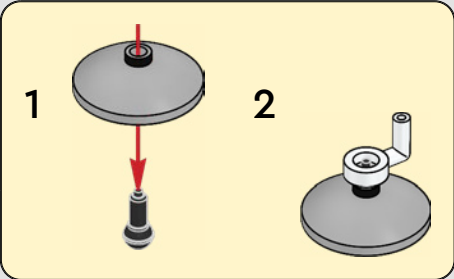


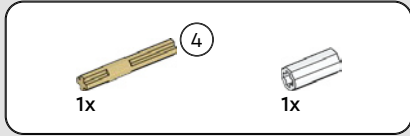
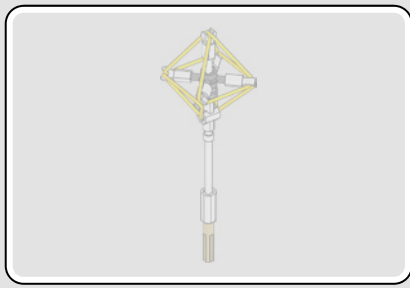
368



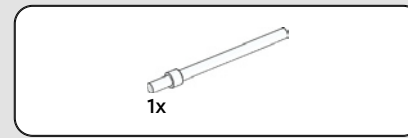
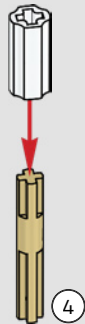
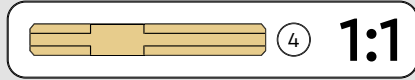


369

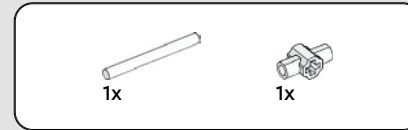




370



371



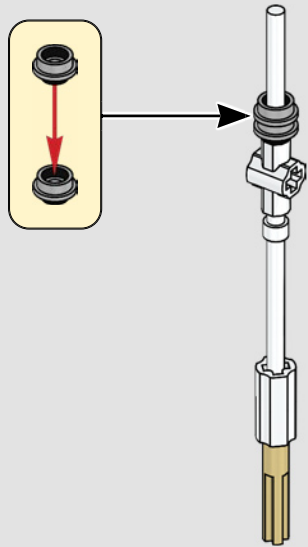
372





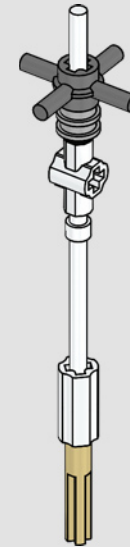
2x

373



1x

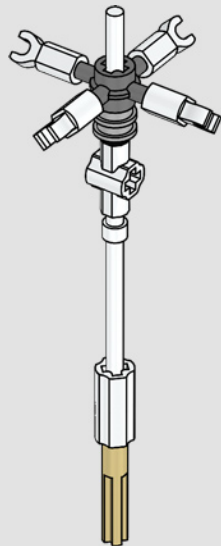
374





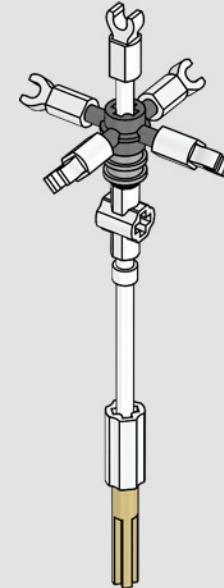
4x

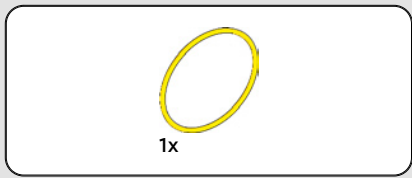
375



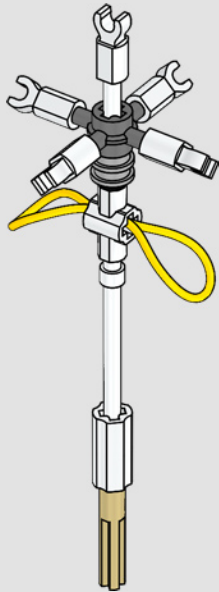
1x

376

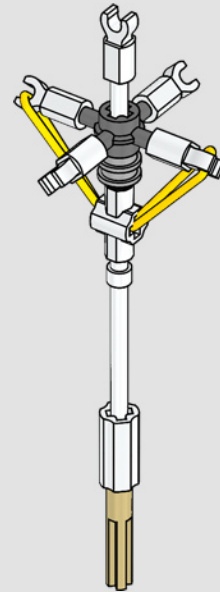




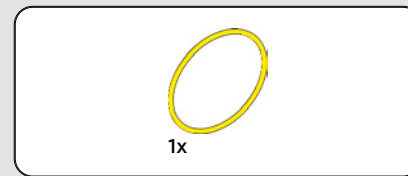
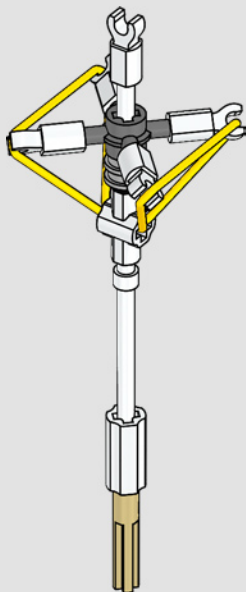
377



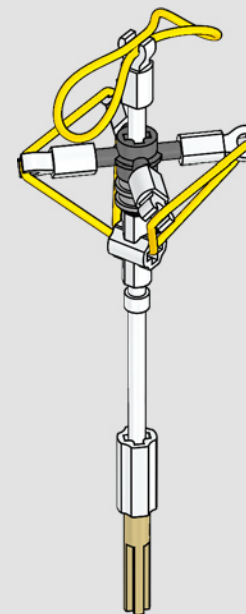
378



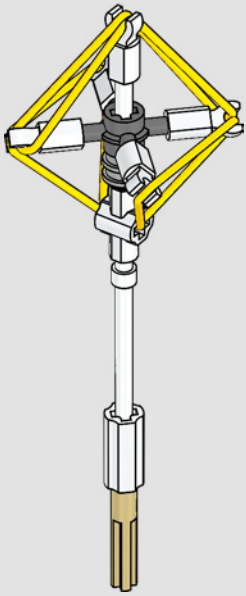
379



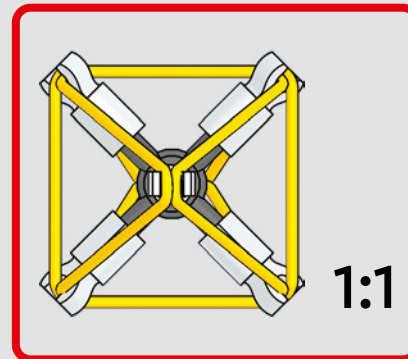
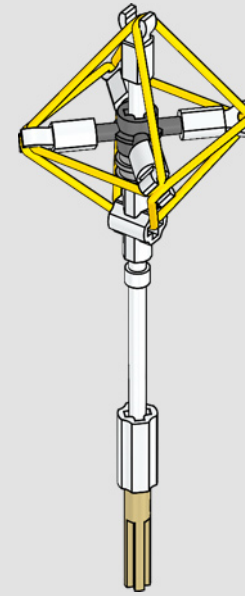
380



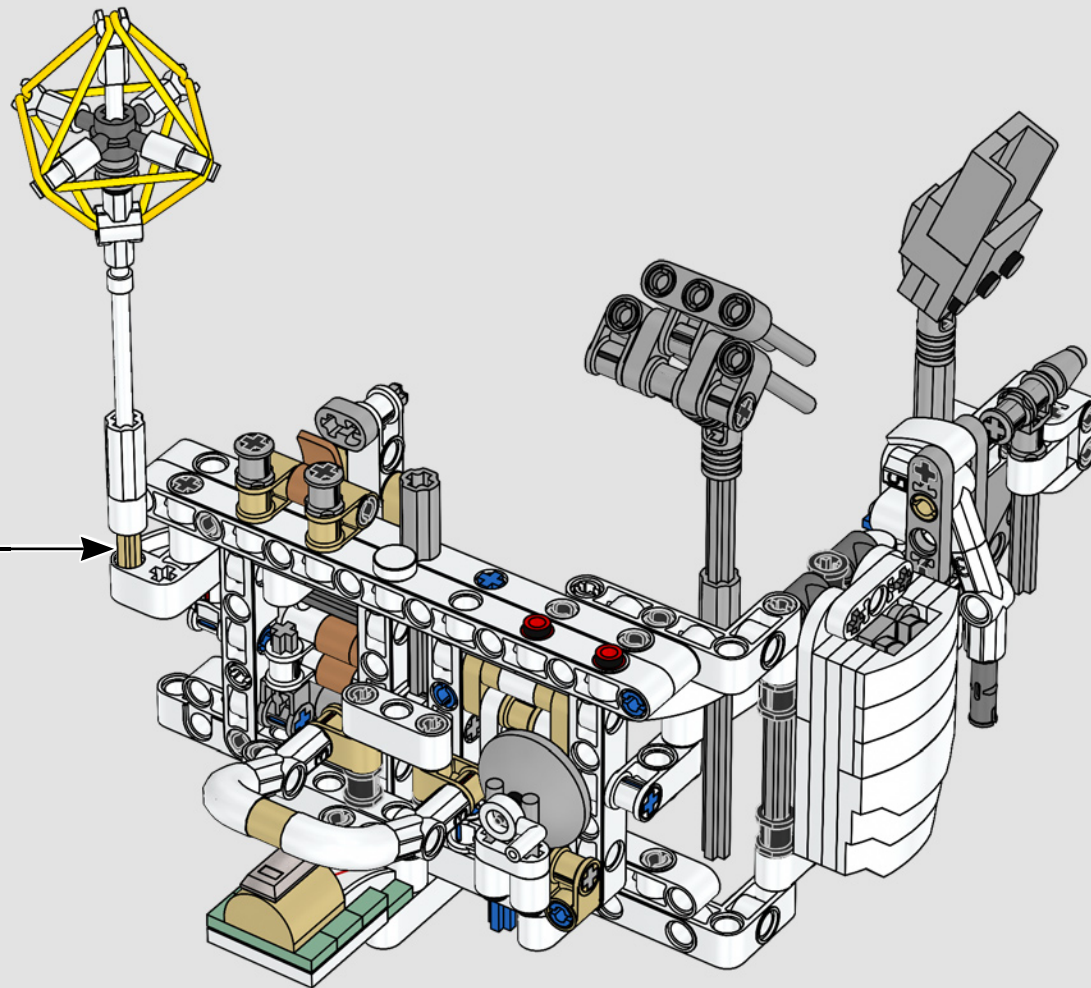
381

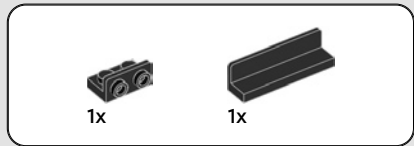
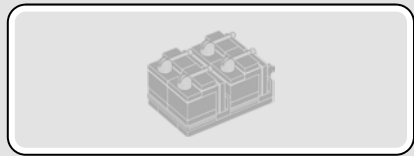


382

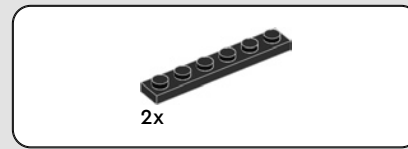
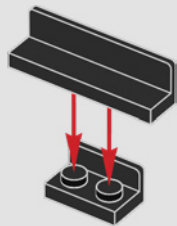


383

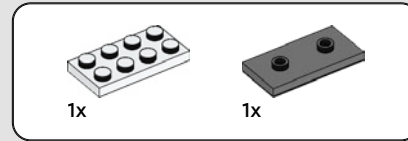
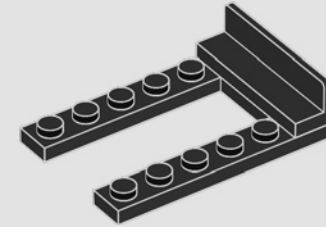




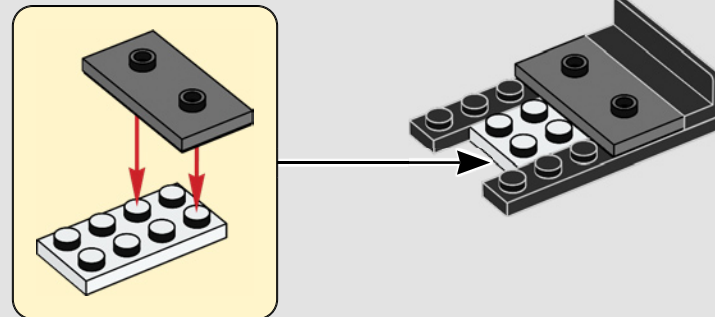
384

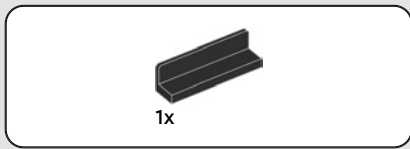


385

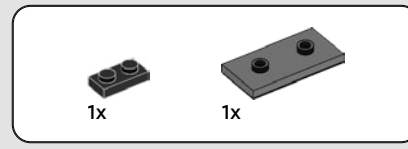
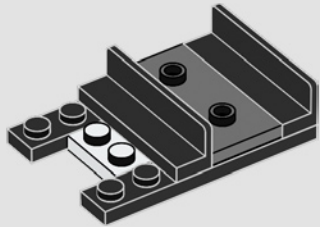


386

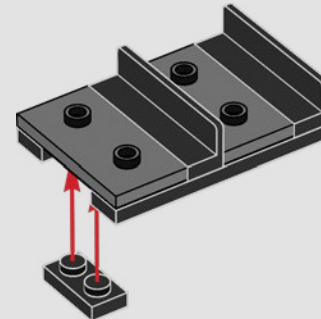


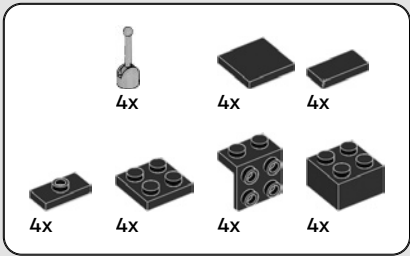


387

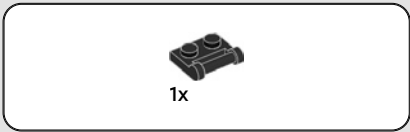
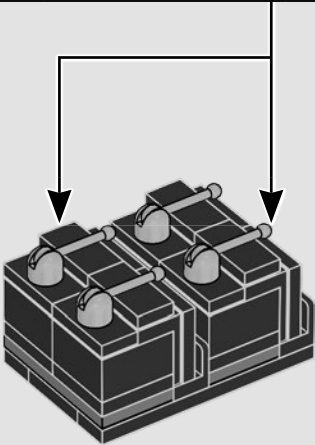
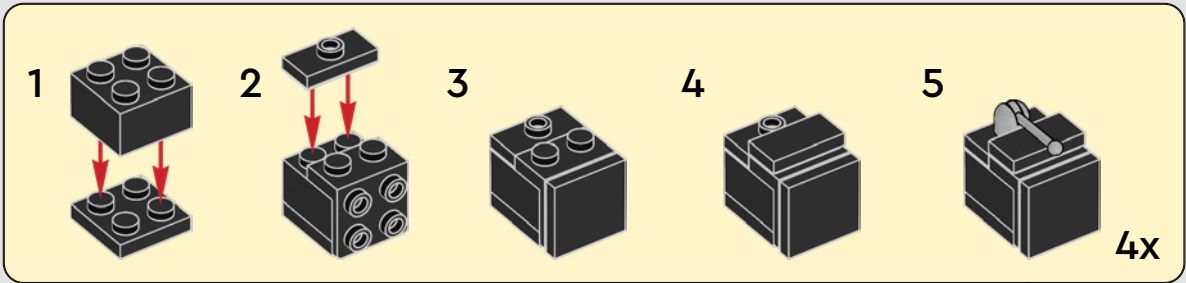


388

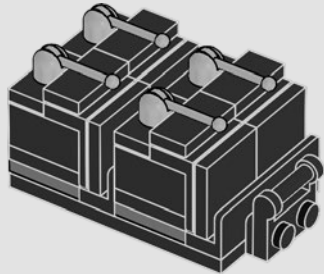




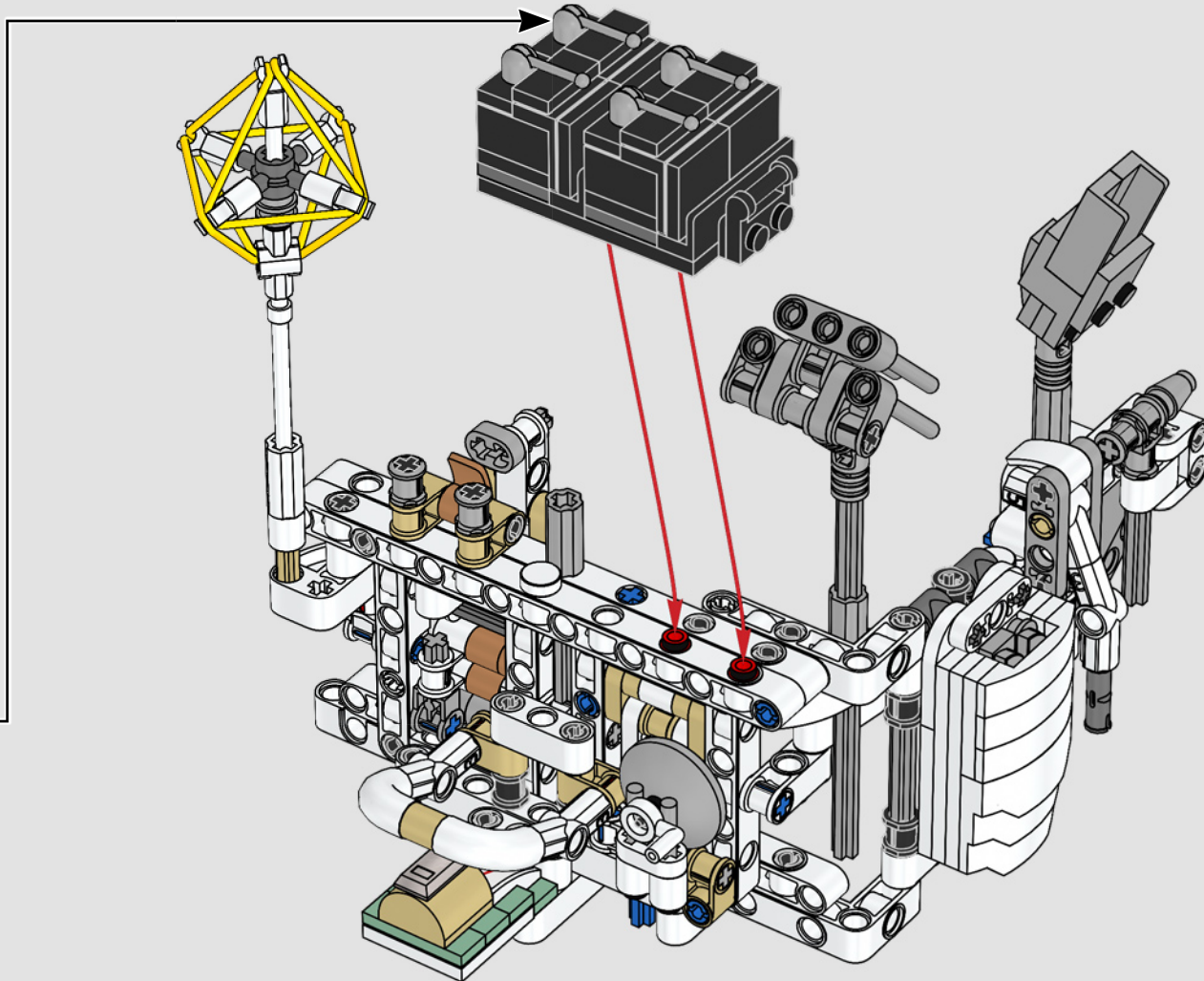
389

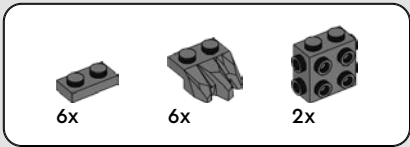


390

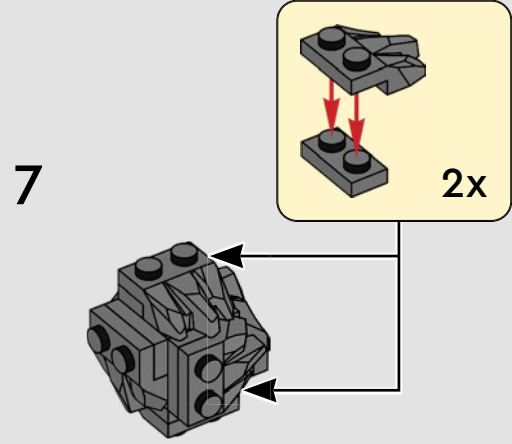
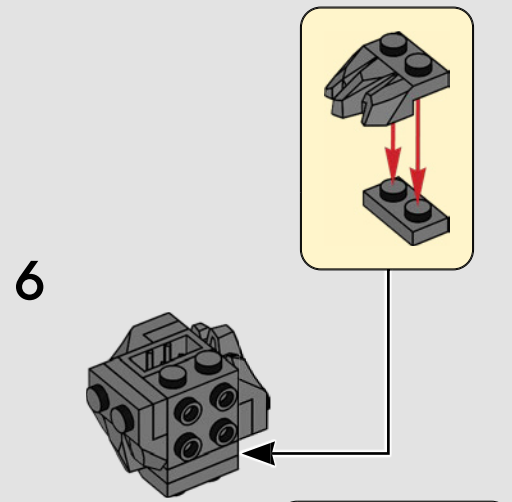
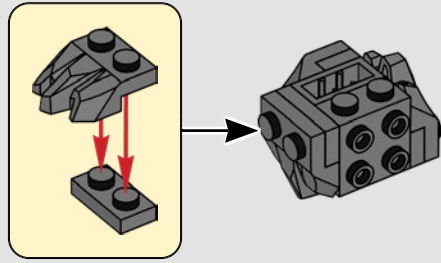
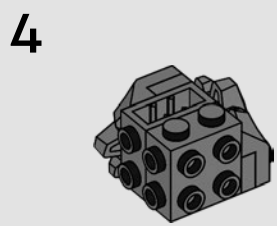
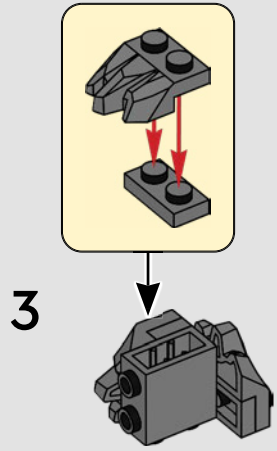
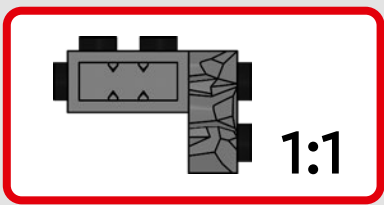
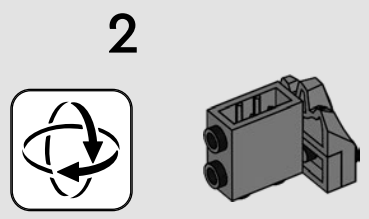
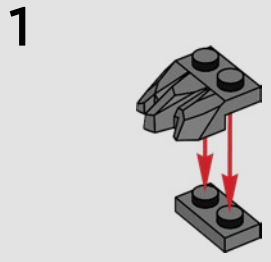


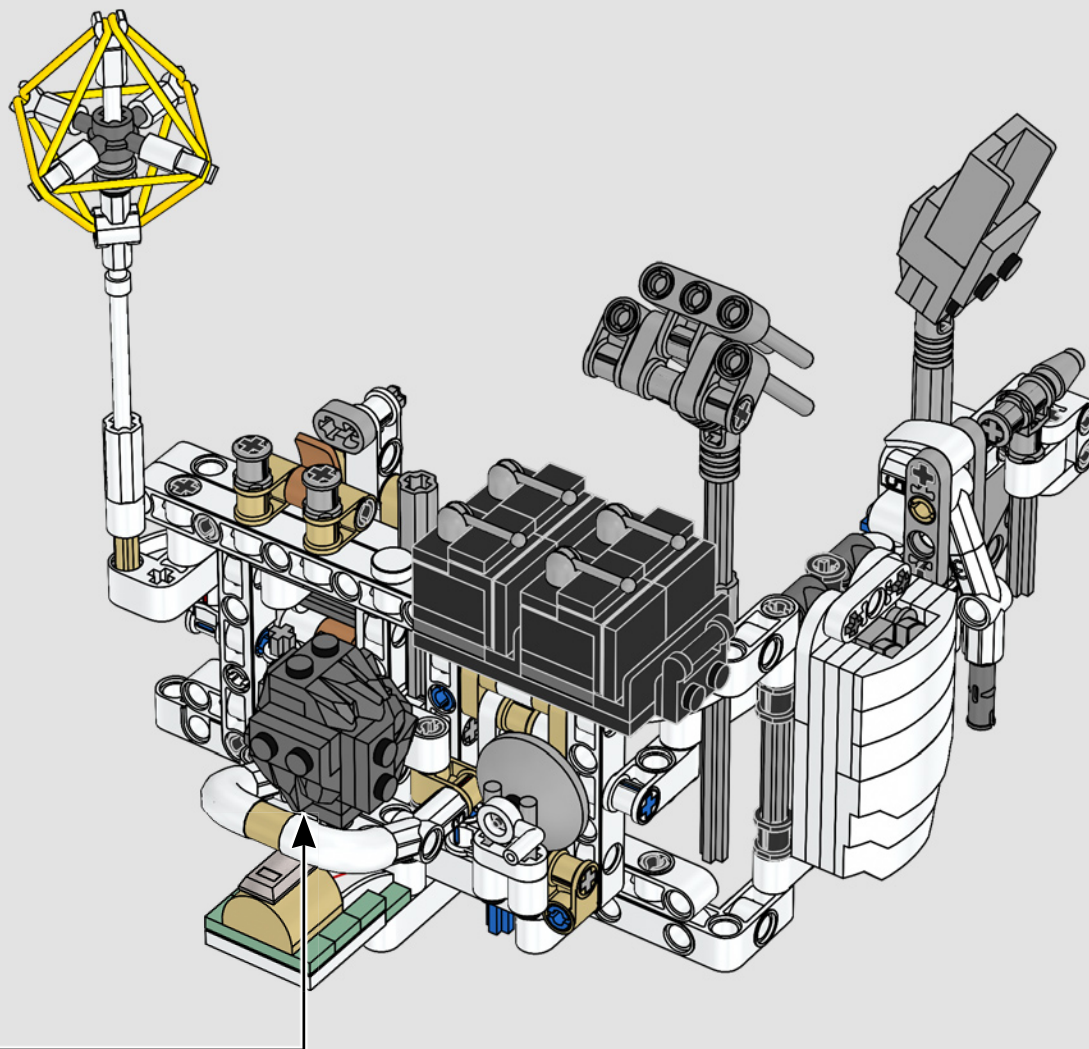
391

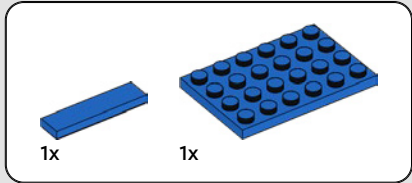




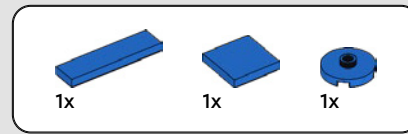
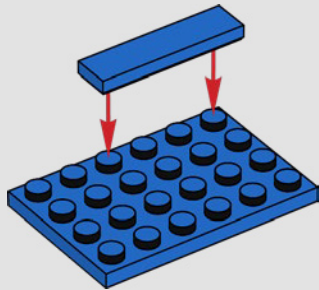
392



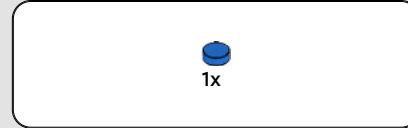
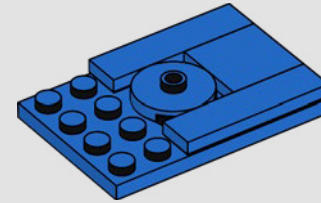




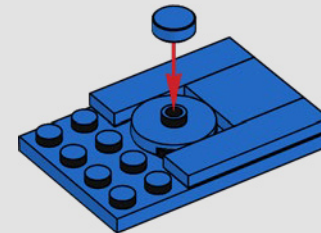
393

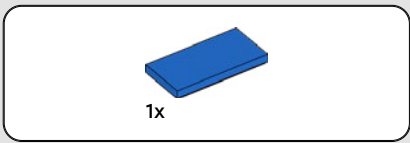


394

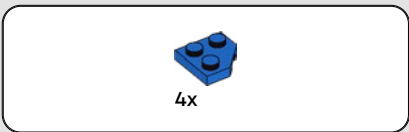
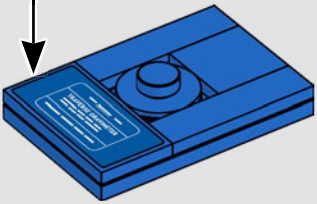
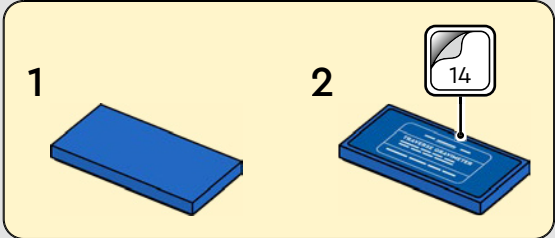


395

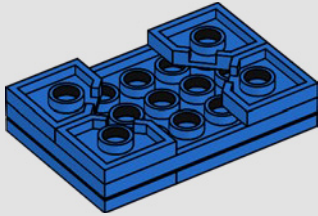


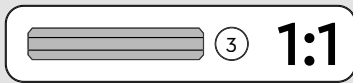
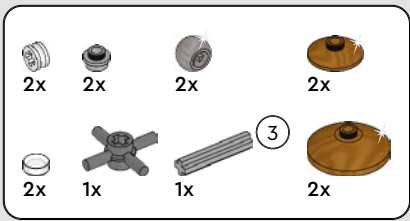


396

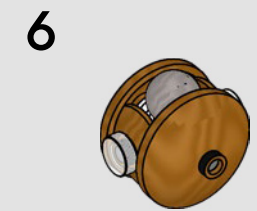
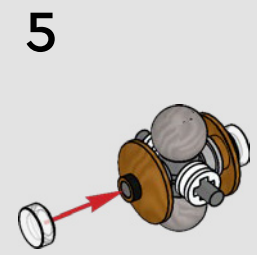
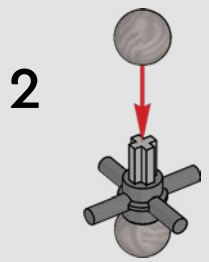
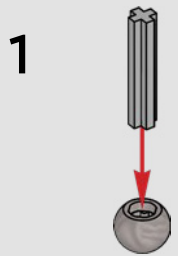


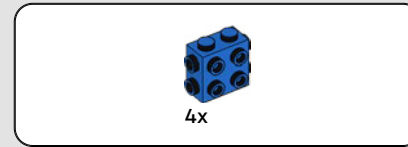
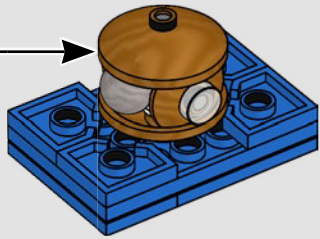
397



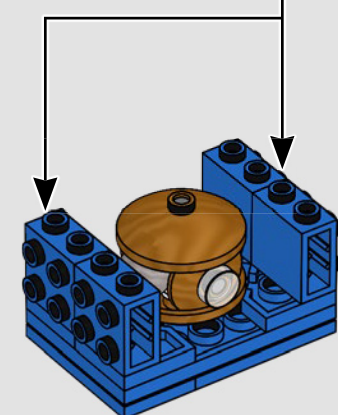
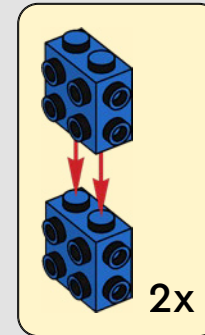


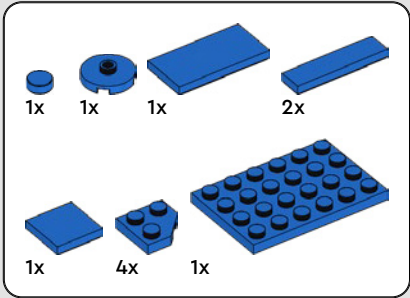
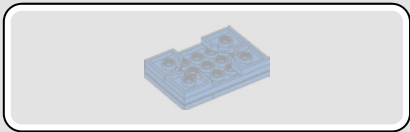
398





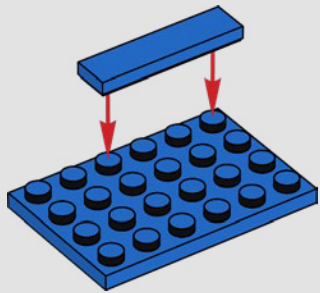
399



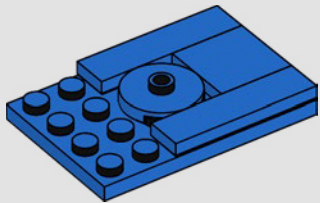


400

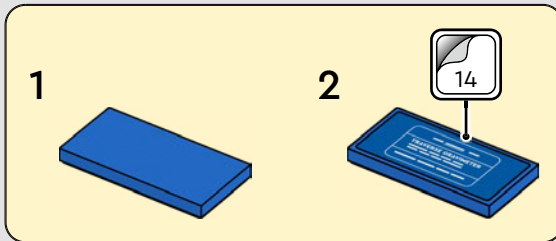
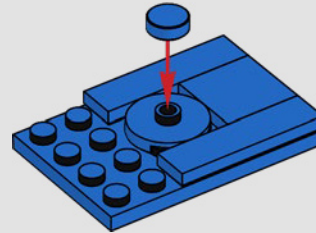
1



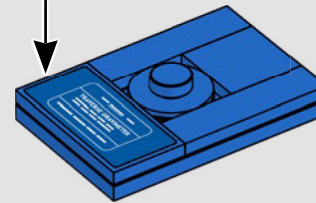
2



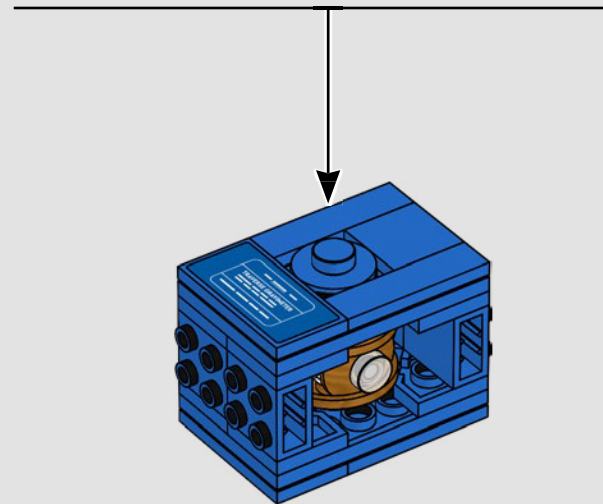
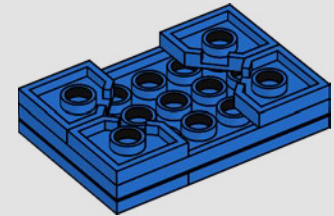
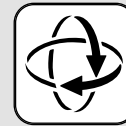
3

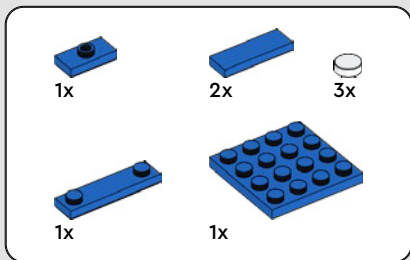


4

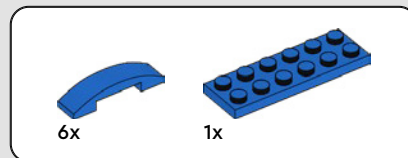
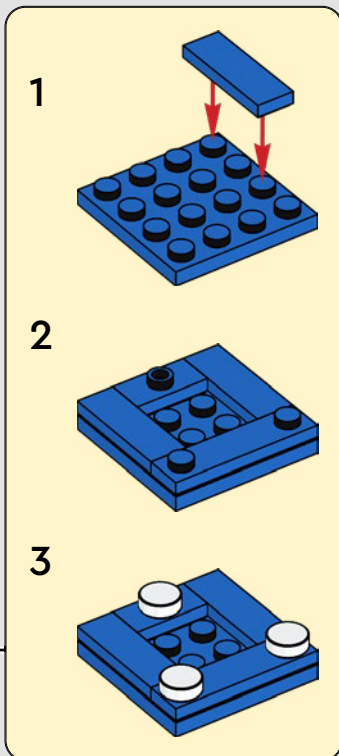
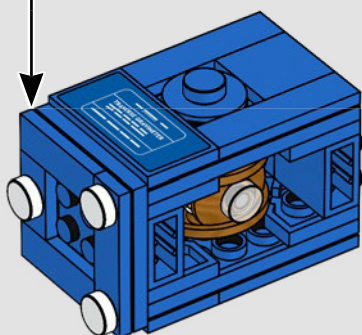


5

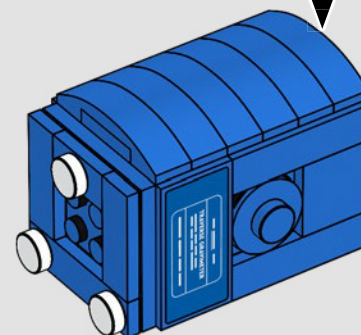
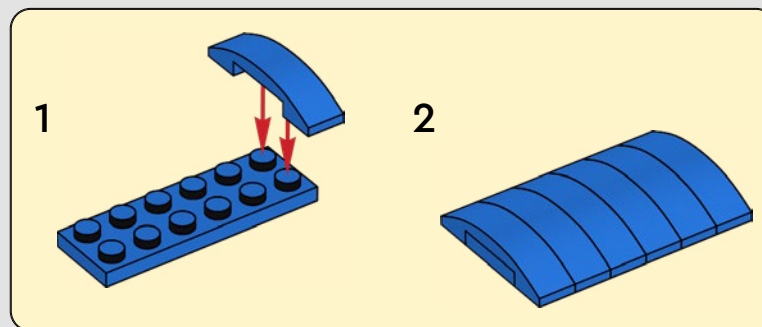




401



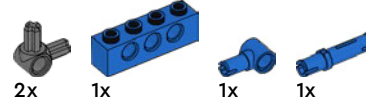
402





2x

403



2x

1x

1x

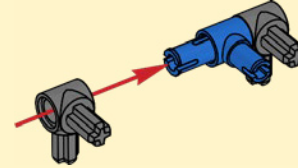
1x

404

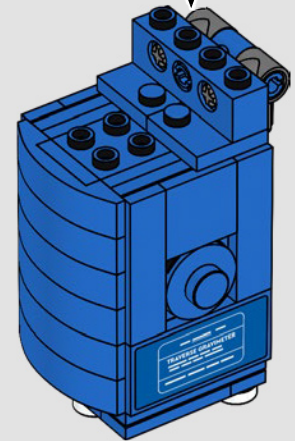
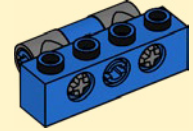
1



2



3



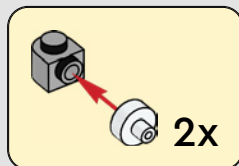


2x

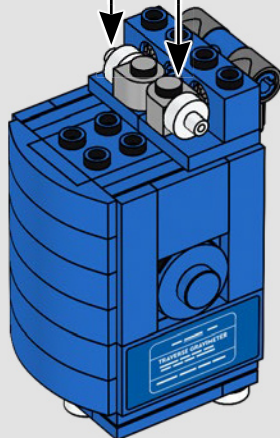


2x

405



2x

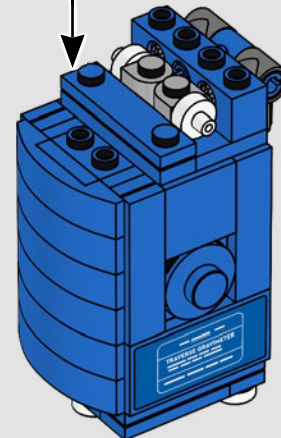
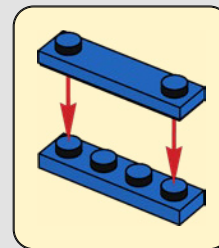


1x



1x

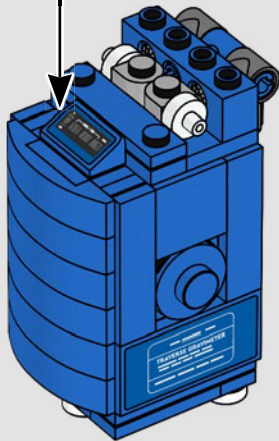
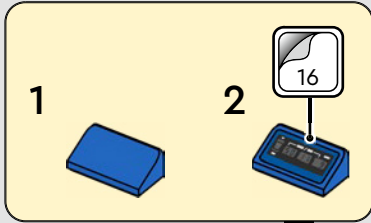
406





1x

407



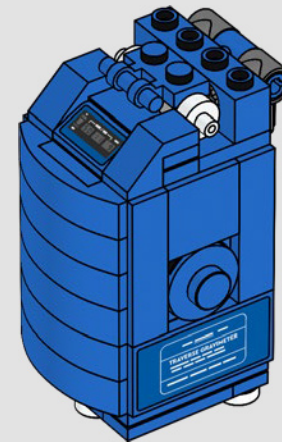
2x

408



1x

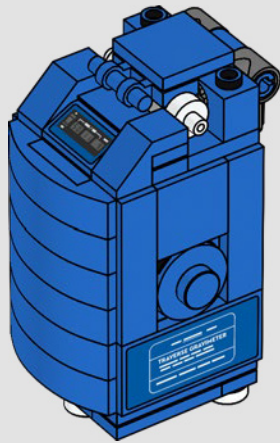
409





1x

410



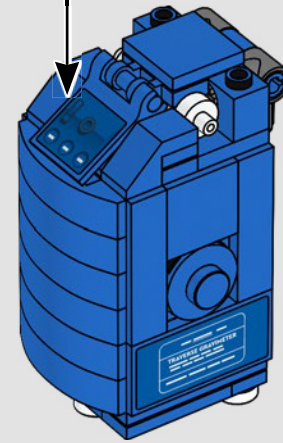
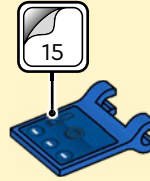
1x

411

1

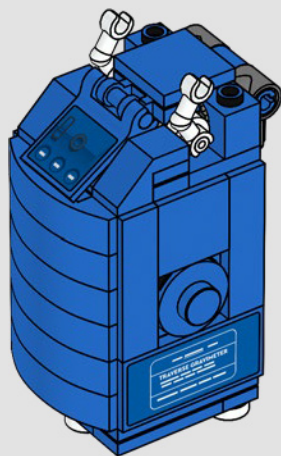


2

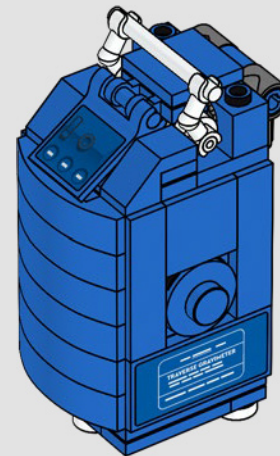




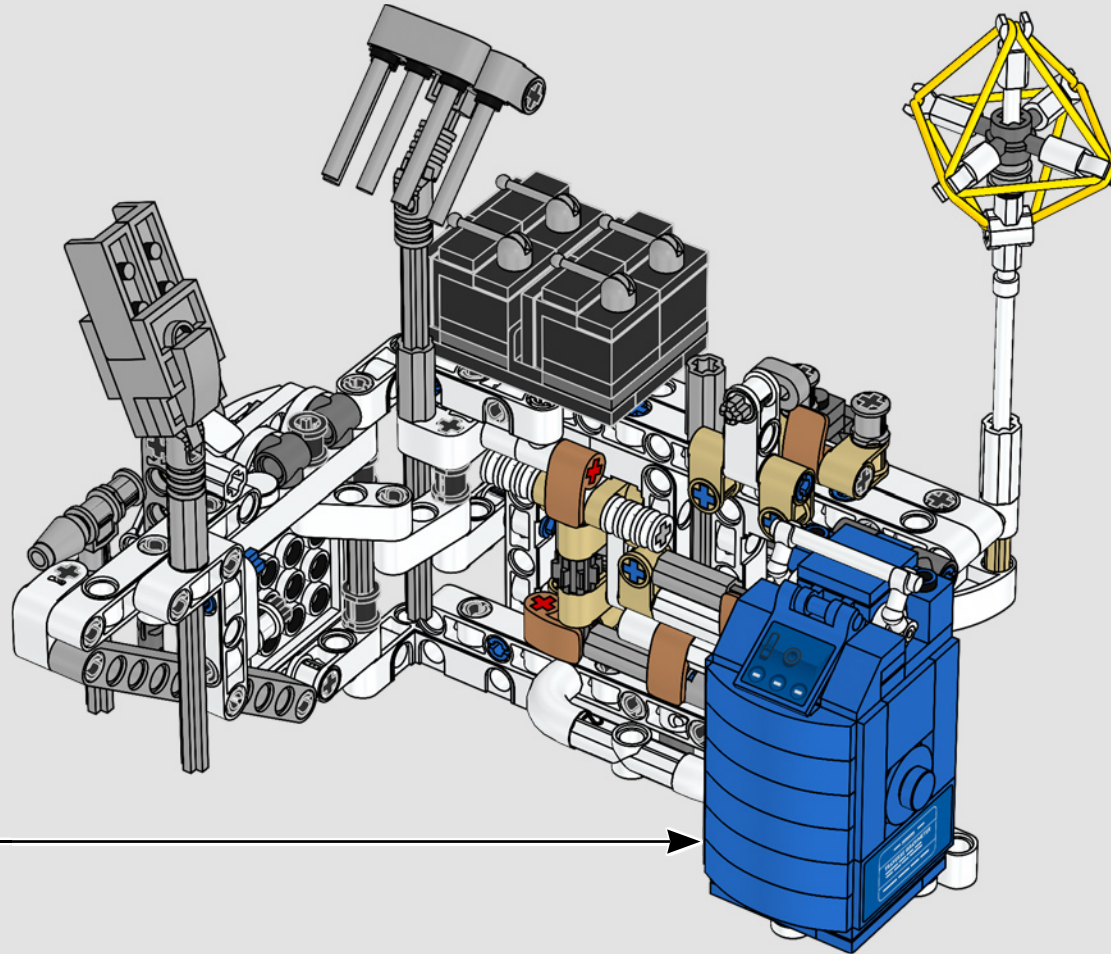
412



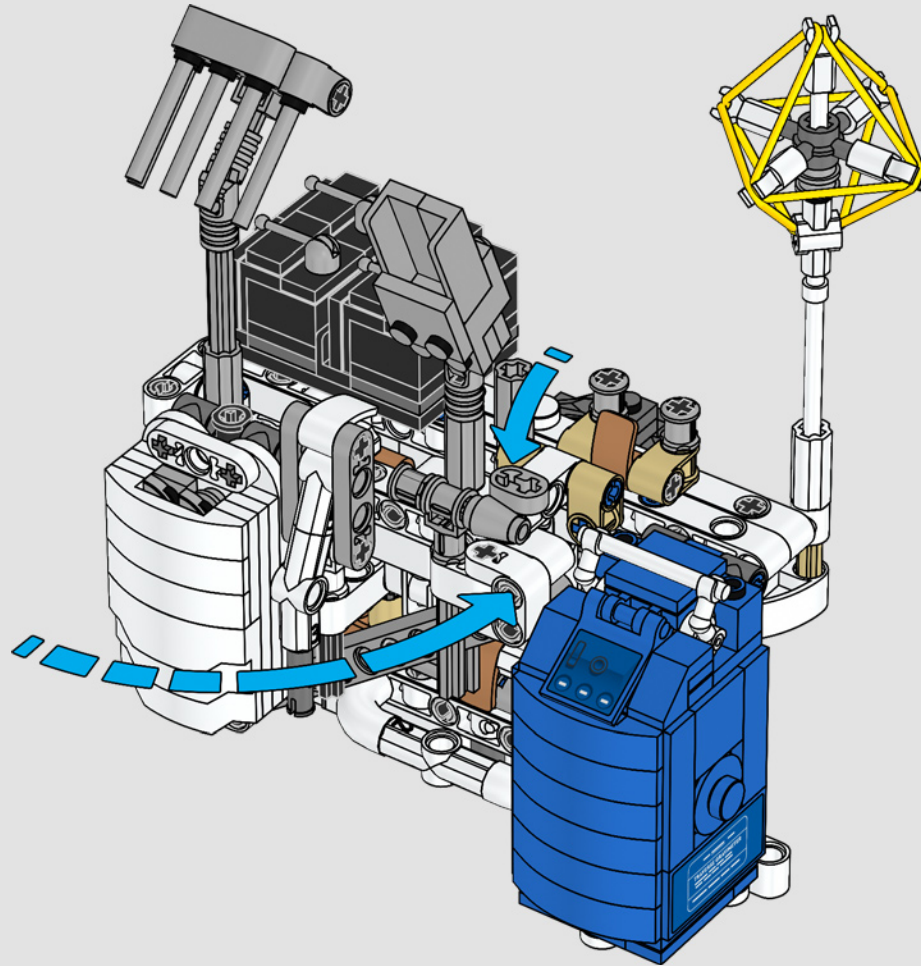
413



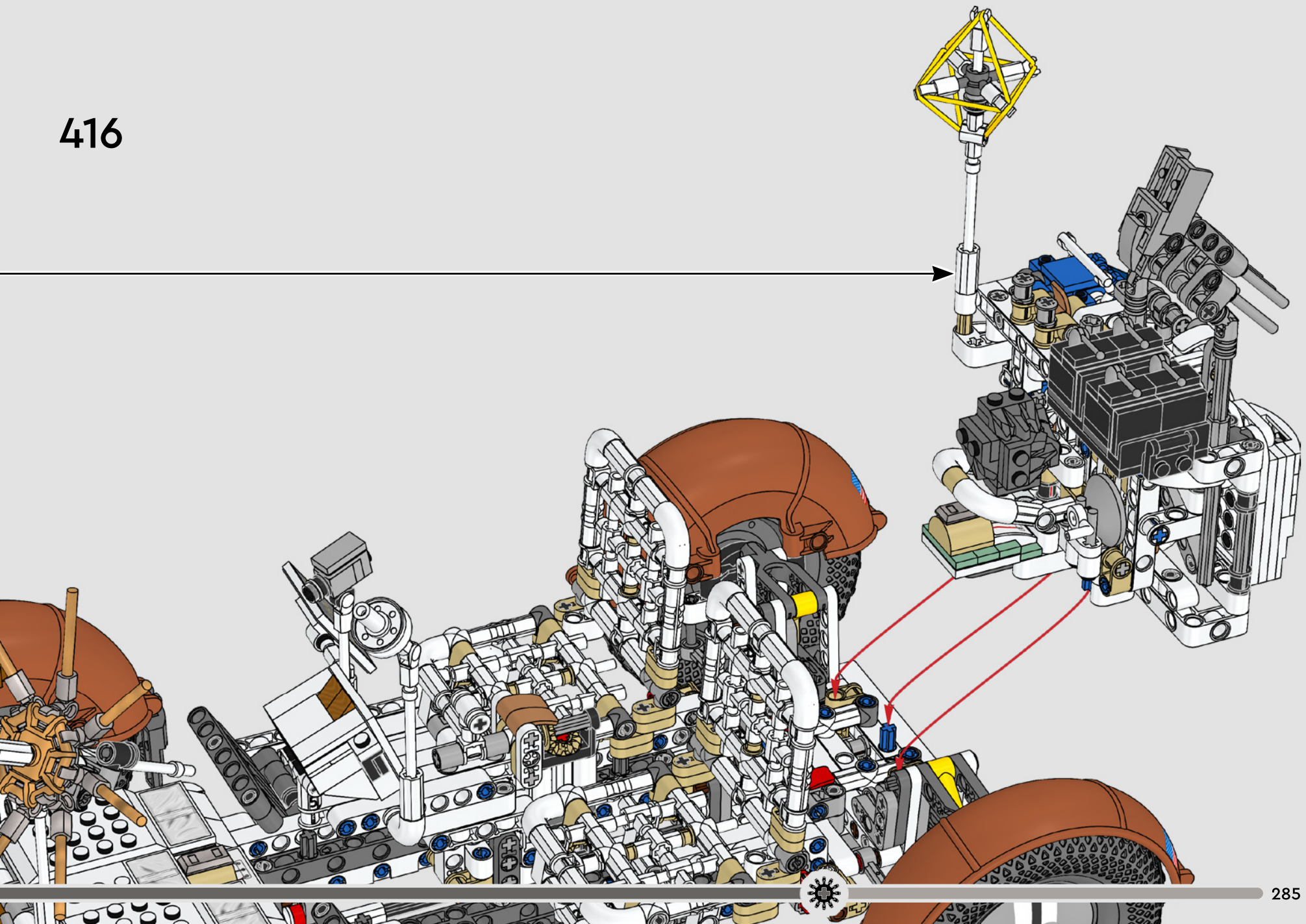
414

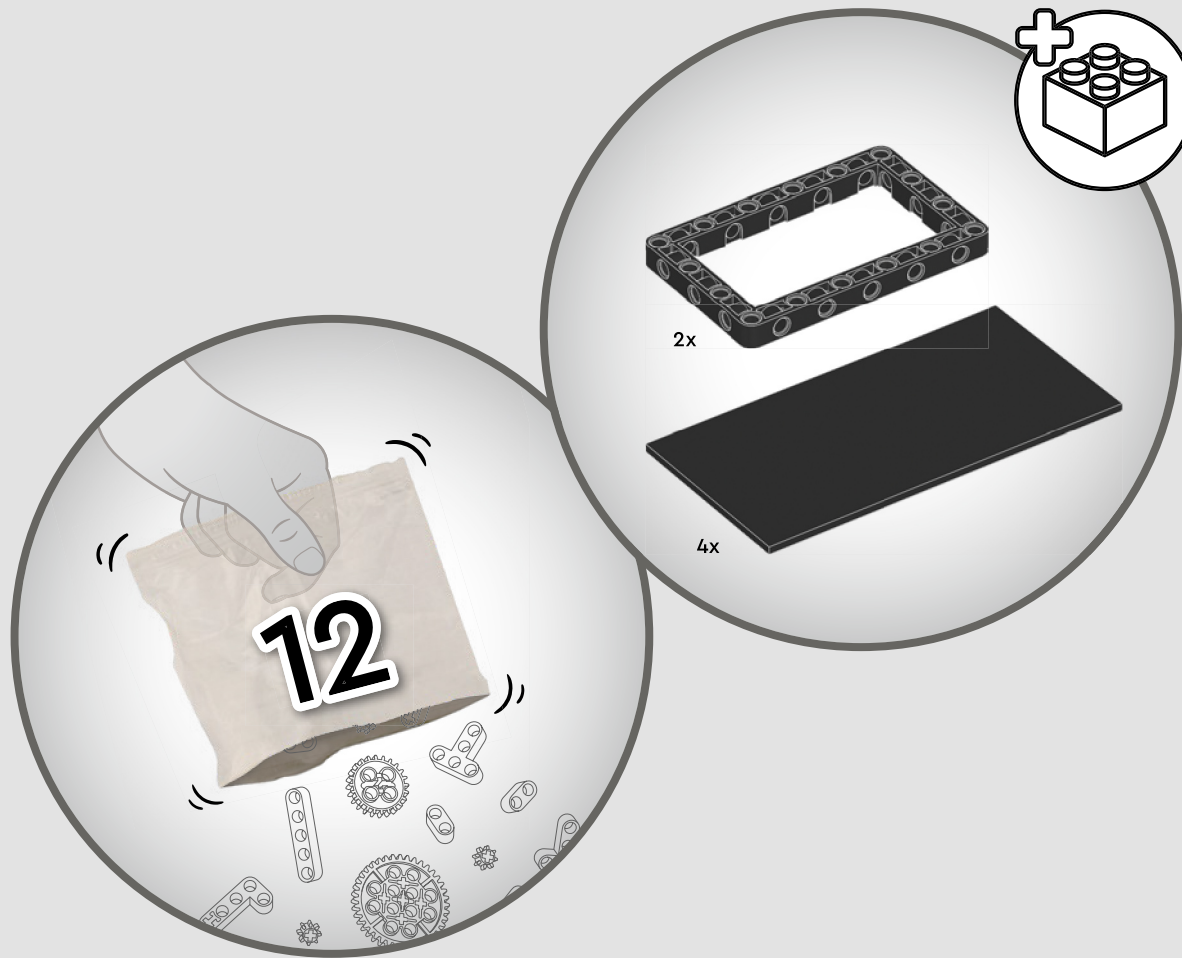


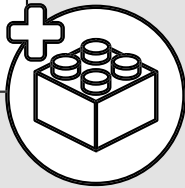
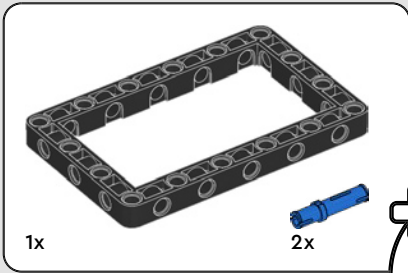
415



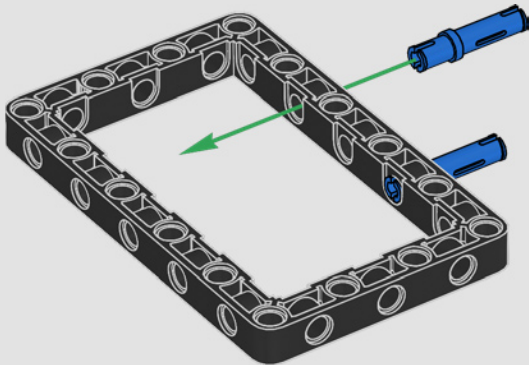
416



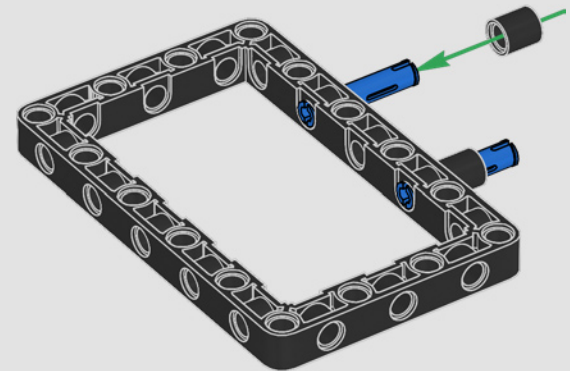


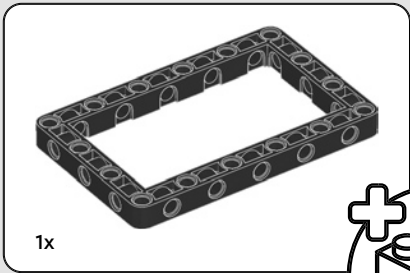


417

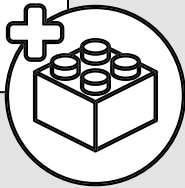


418

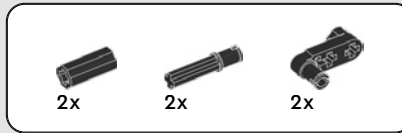
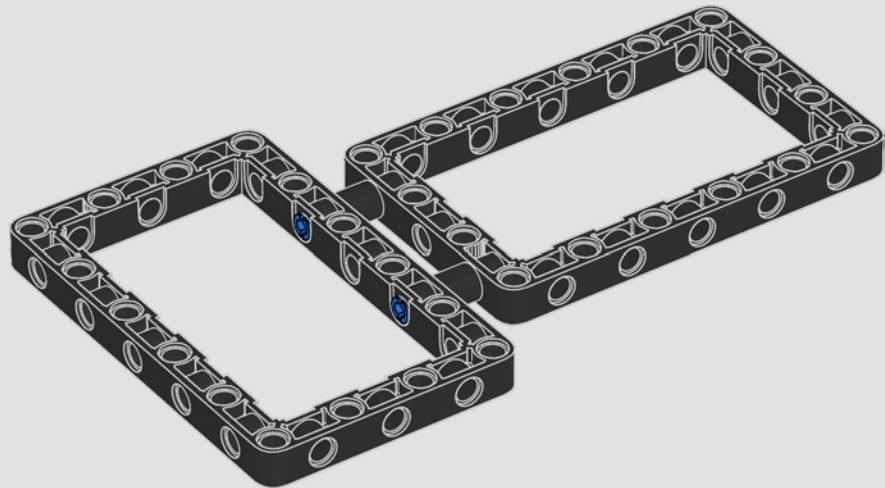




1x



419

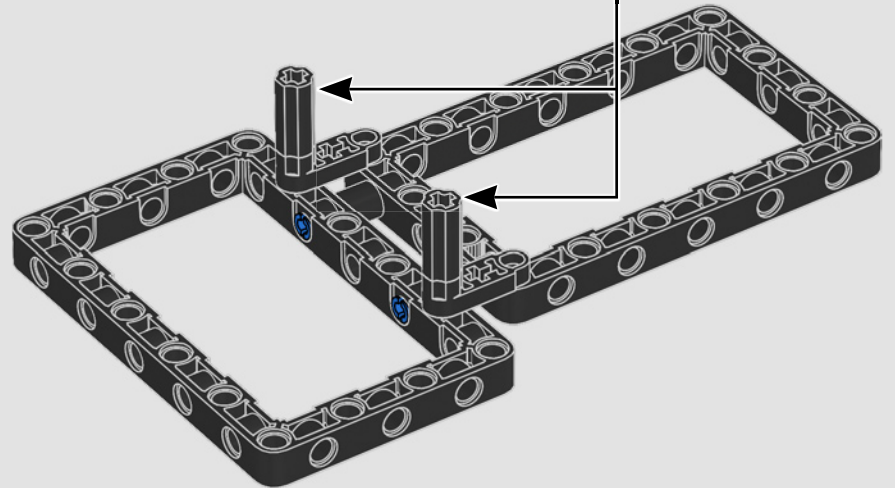
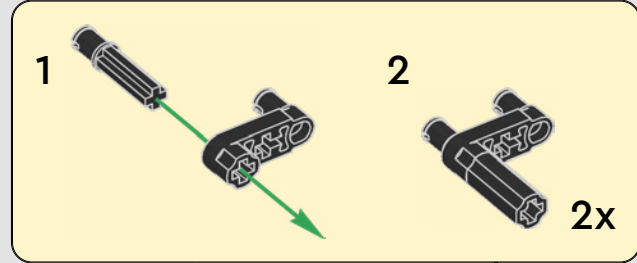


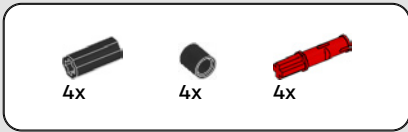
2x

2x

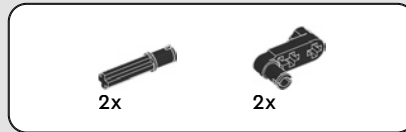
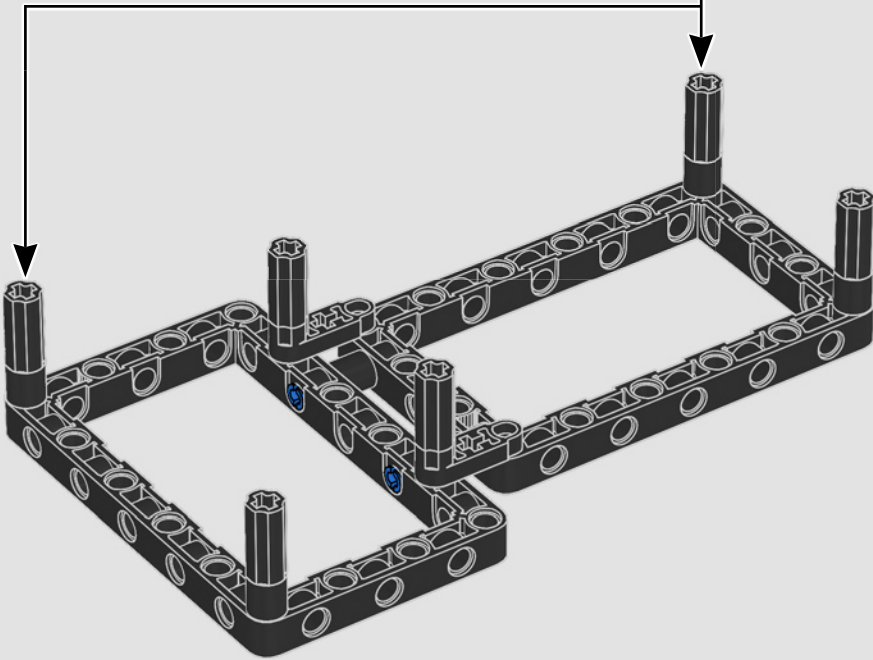
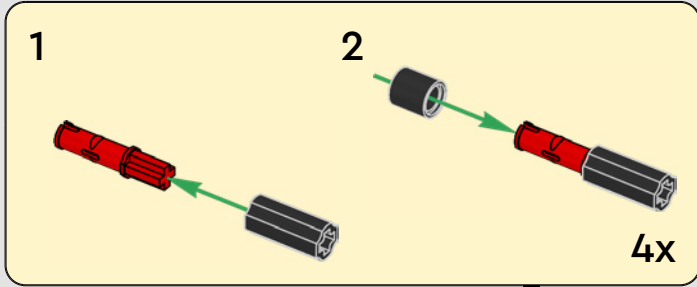
2x

420

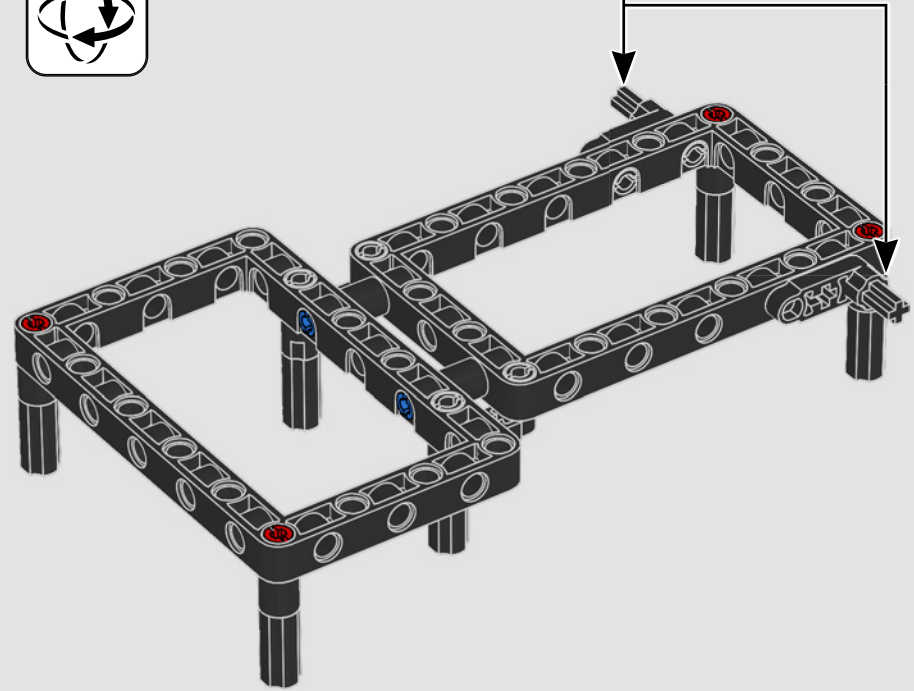
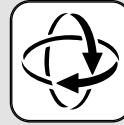
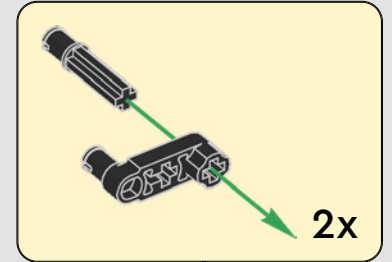




421



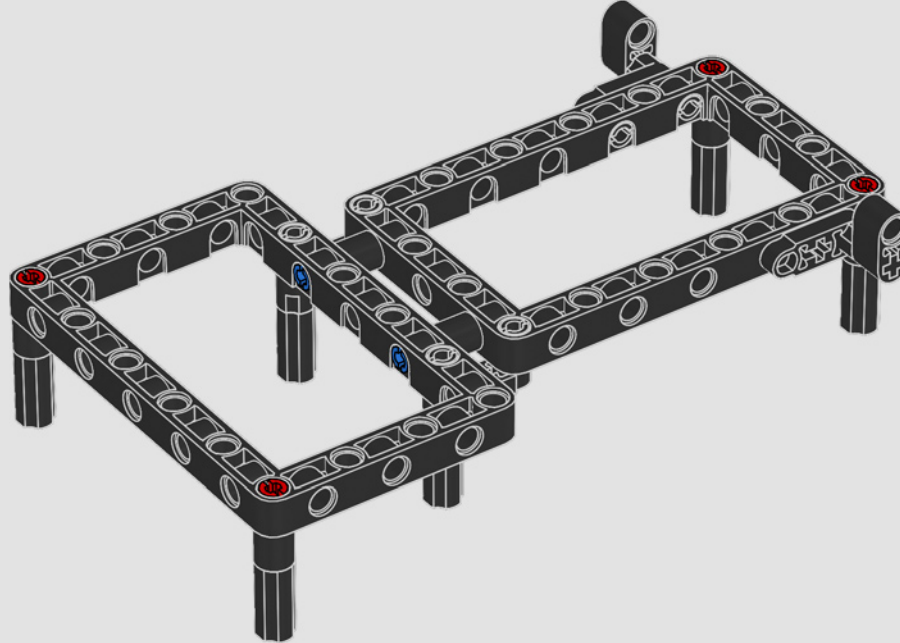
422

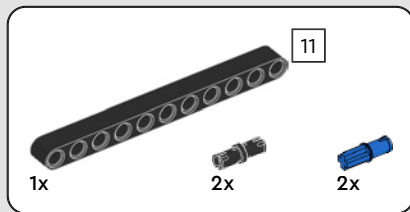




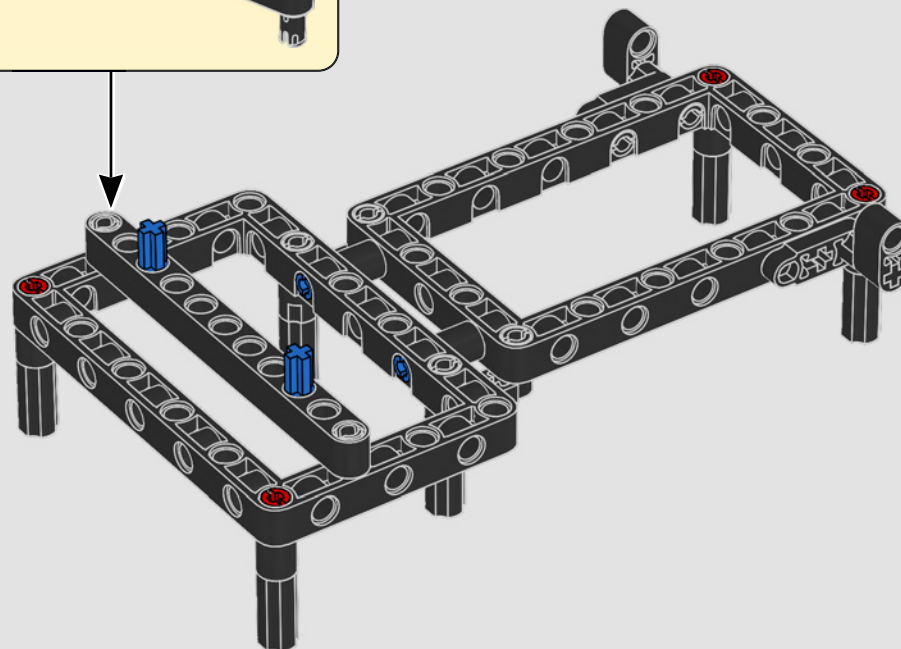
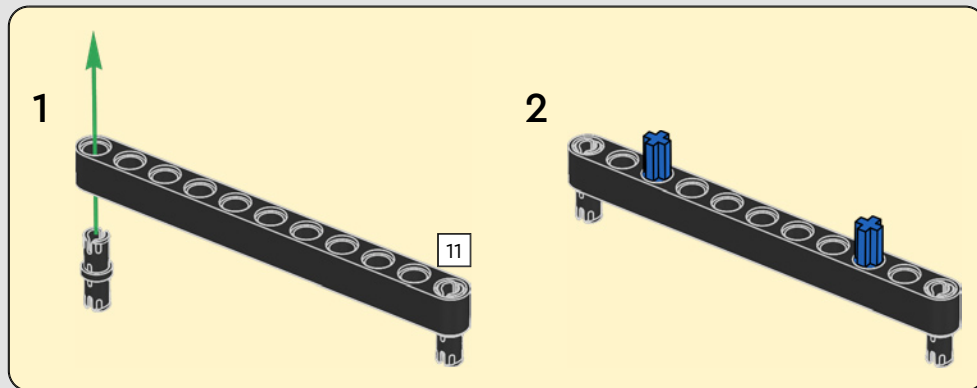
2x

423





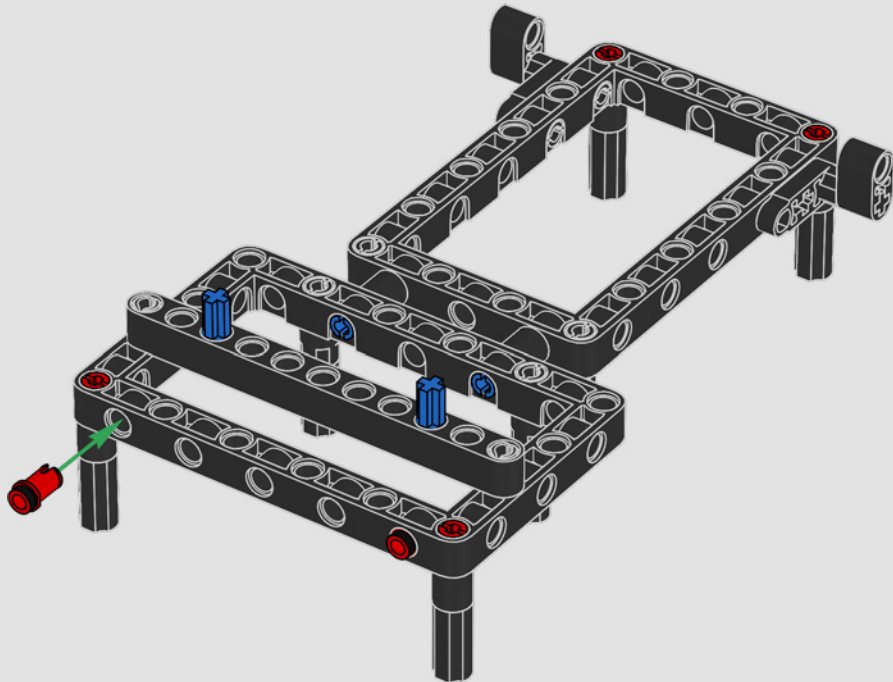
424





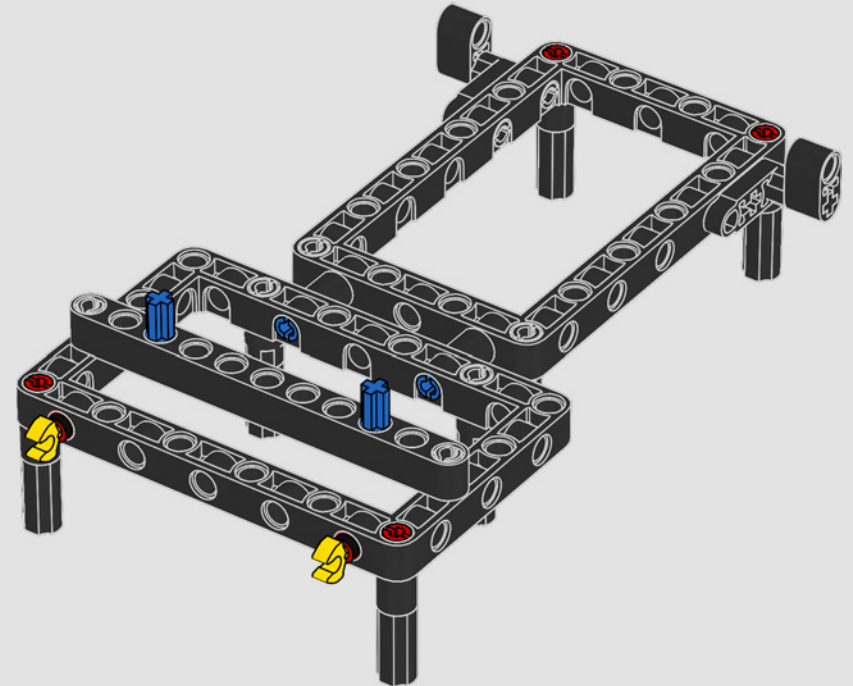
2x

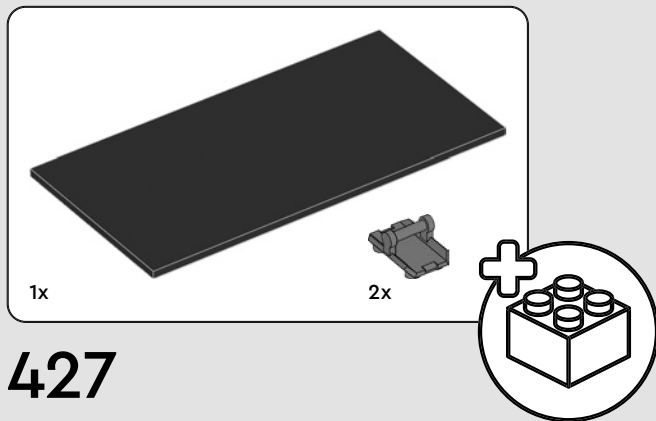
425



2x

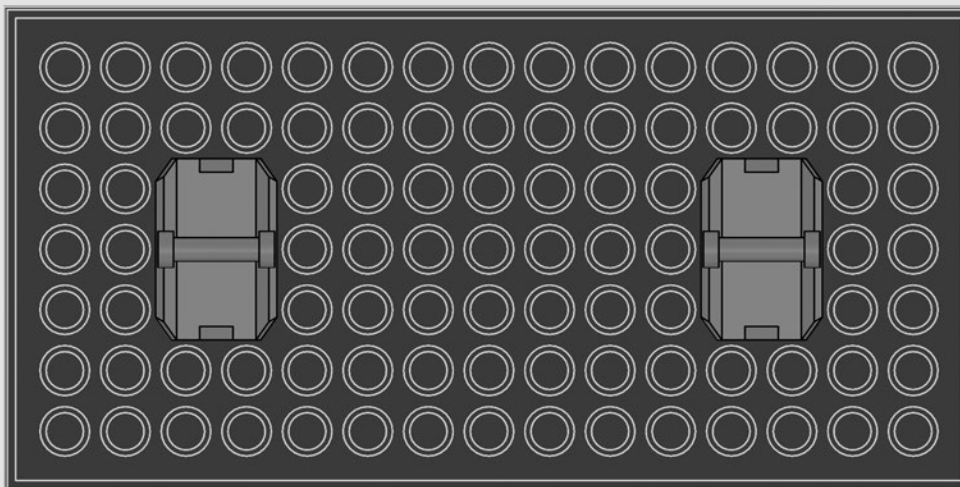
426





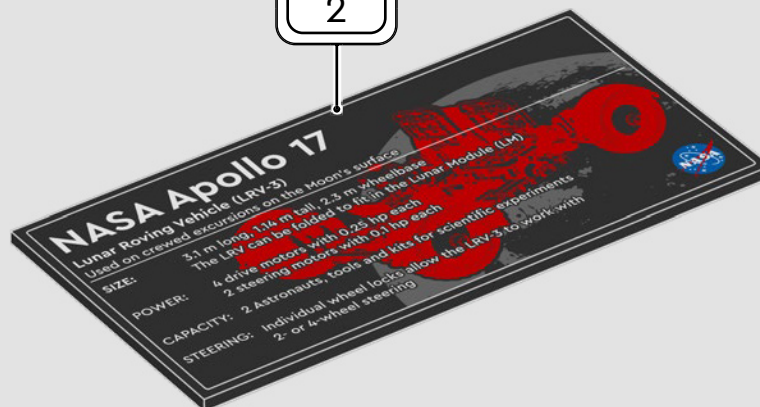
427

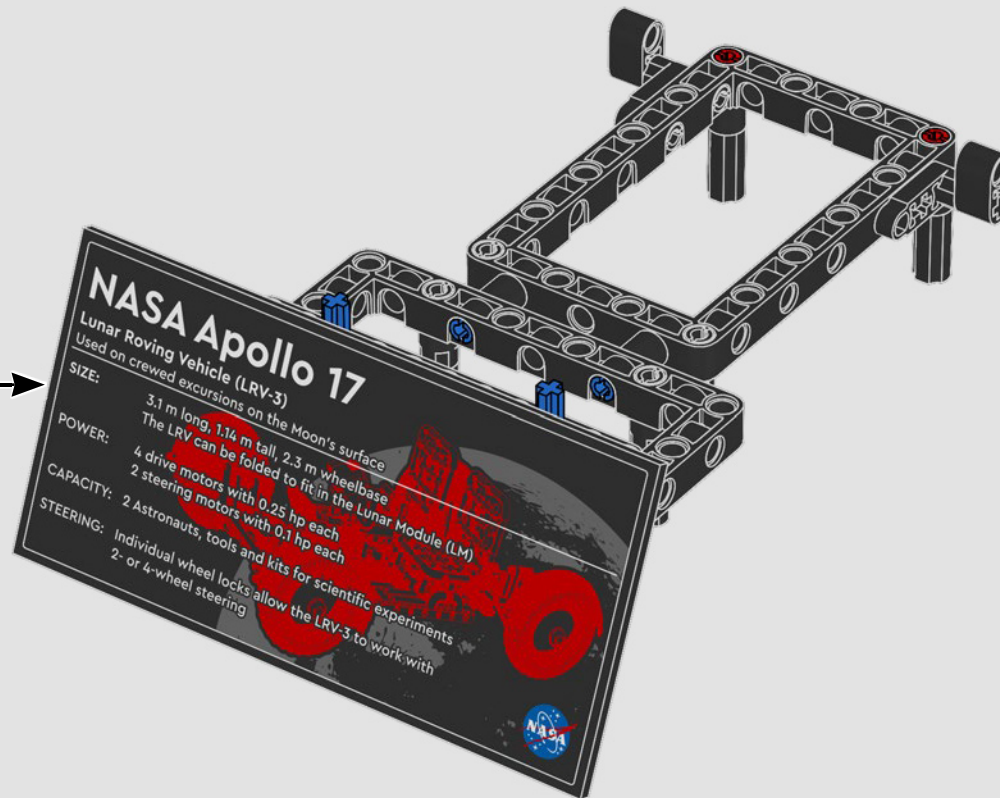
1

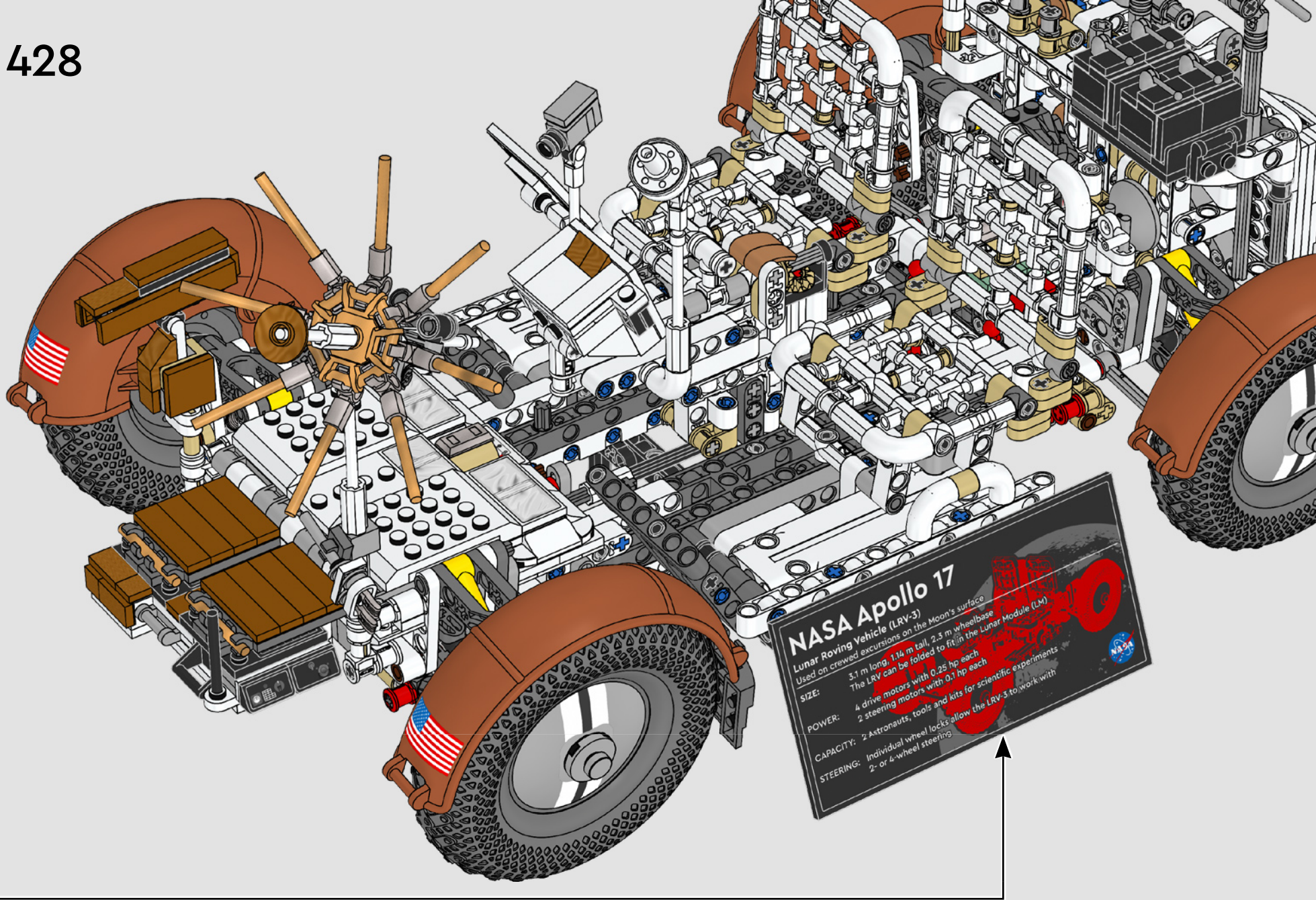


1:1

2







NASA Apollo 17

Lunar Roving Vehicle (LRV-3)

Used on crewed excursions on the Moon's surface

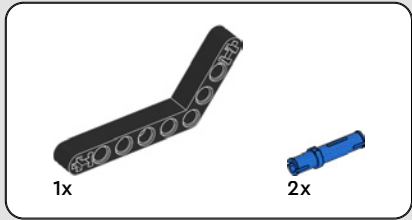
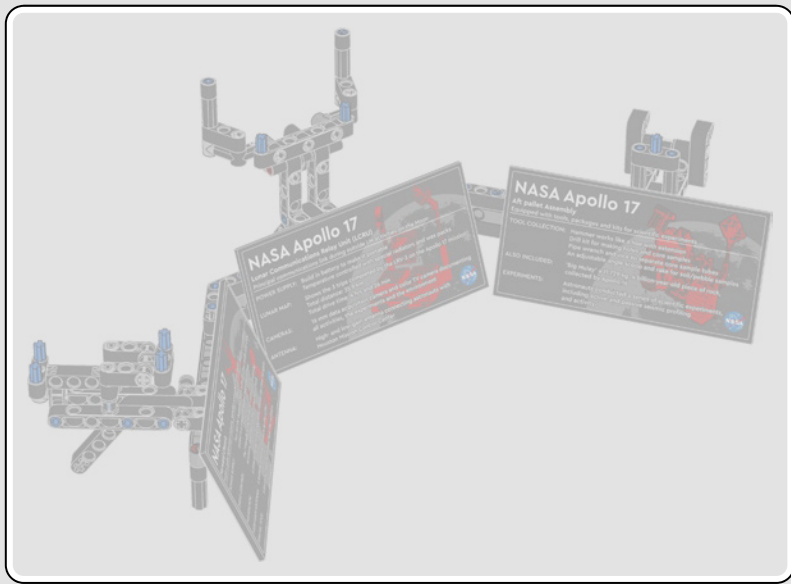
SIZE: 3.1 m long, 1.14 m tall, 2.5 m wheelbase
The LRV can be folded to fit in the Lunar Module (LM)

POWER: 4 drive motors with 0.25 hp each
2 steering motors with 0.1 hp each

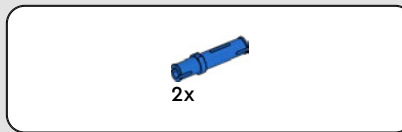
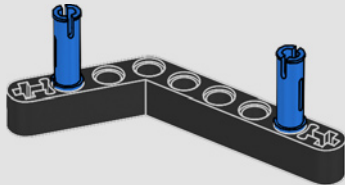
CAPACITY: 2 Astronauts, tools and kits for scientific experiments

STEERING: Individual wheel locks allow the LRV-3 to work with
2- or 4-wheel steering

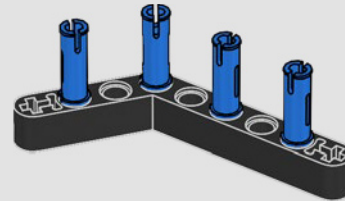


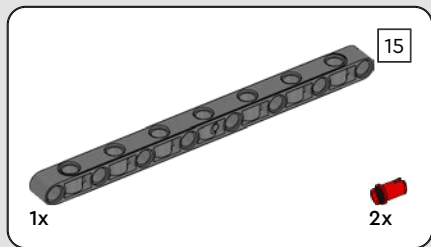


429

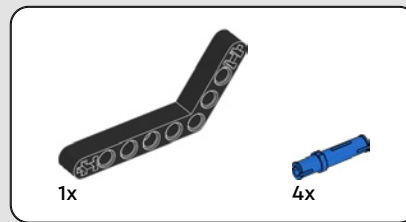
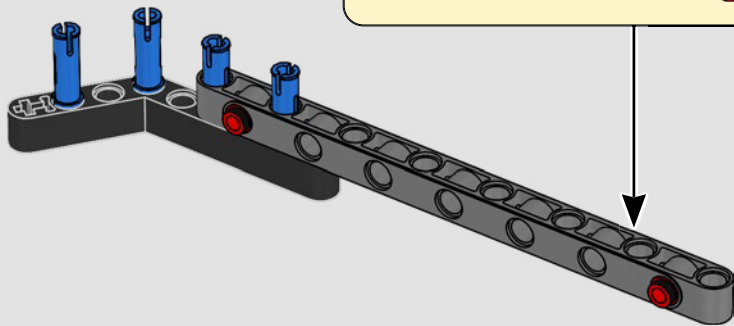
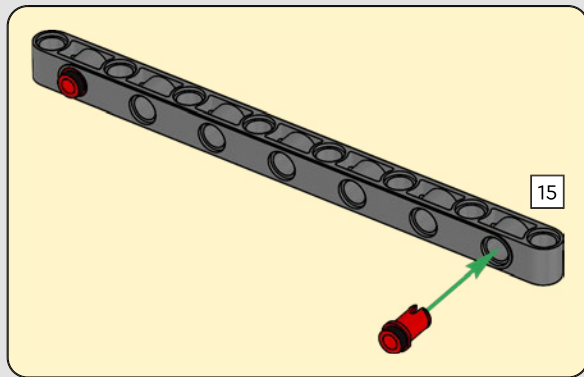


430

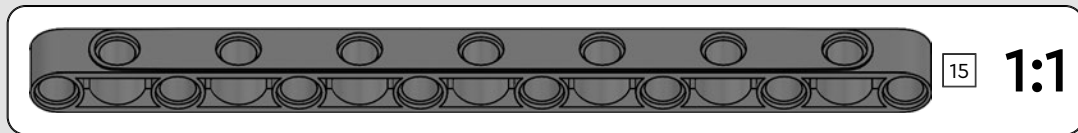
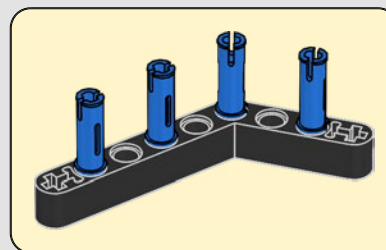
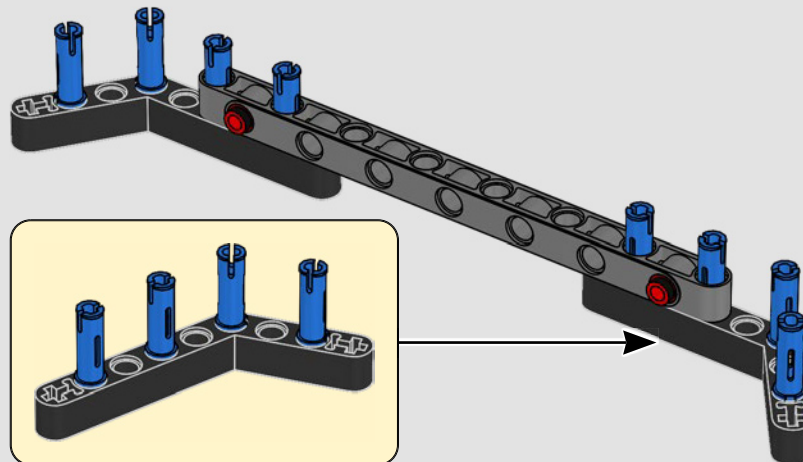


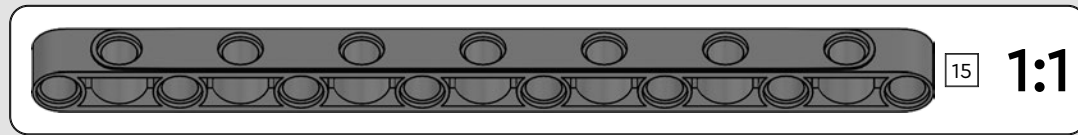
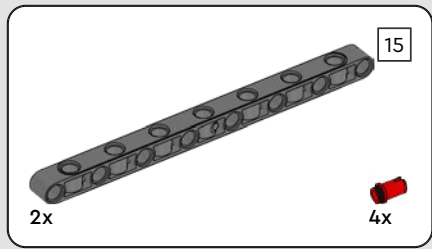


431

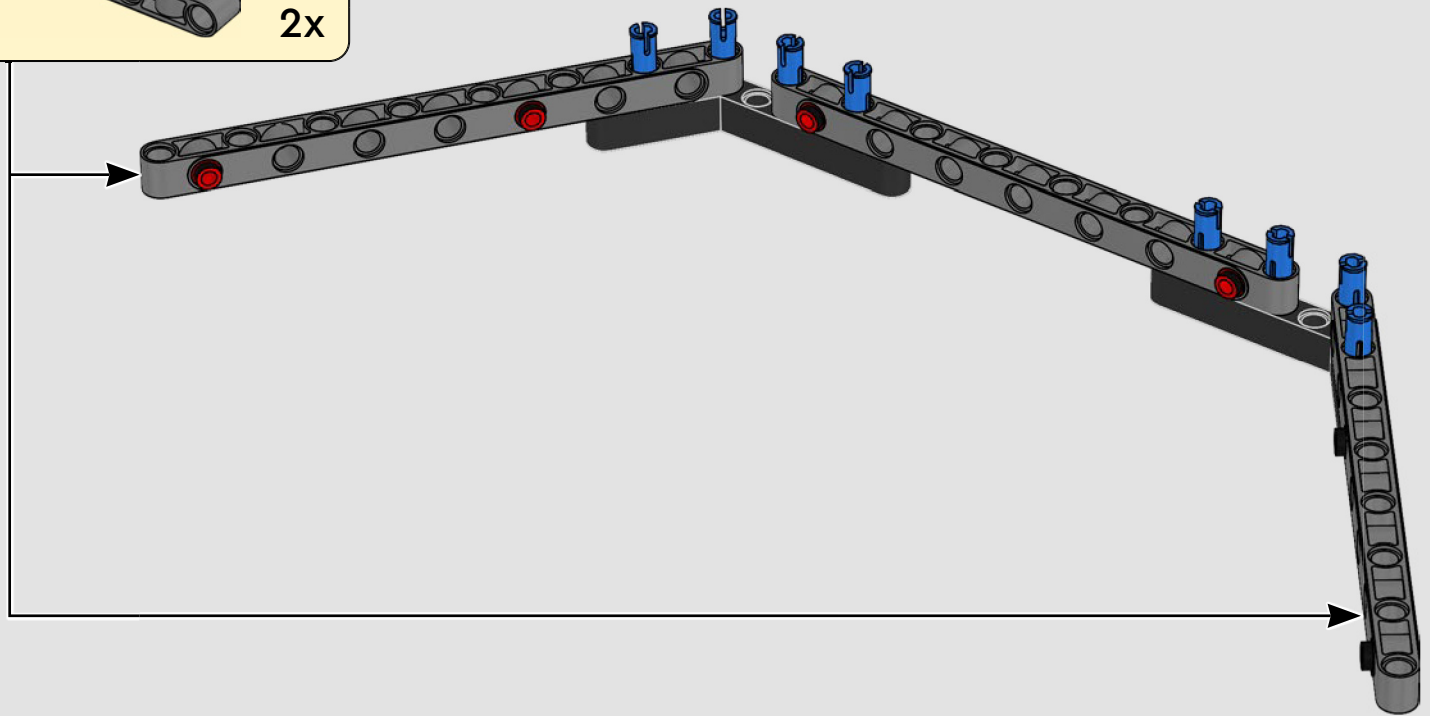
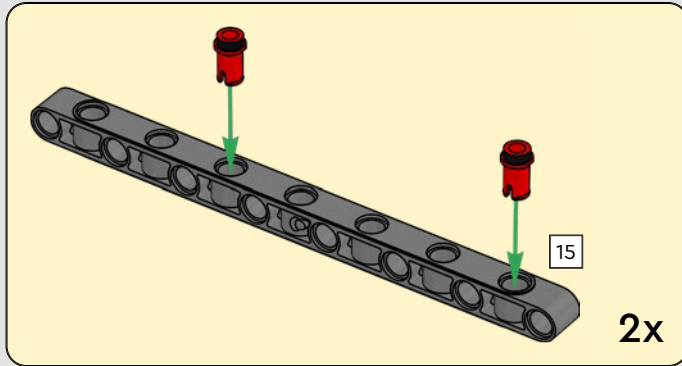


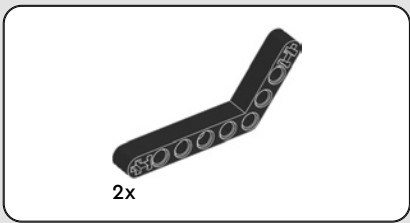
432



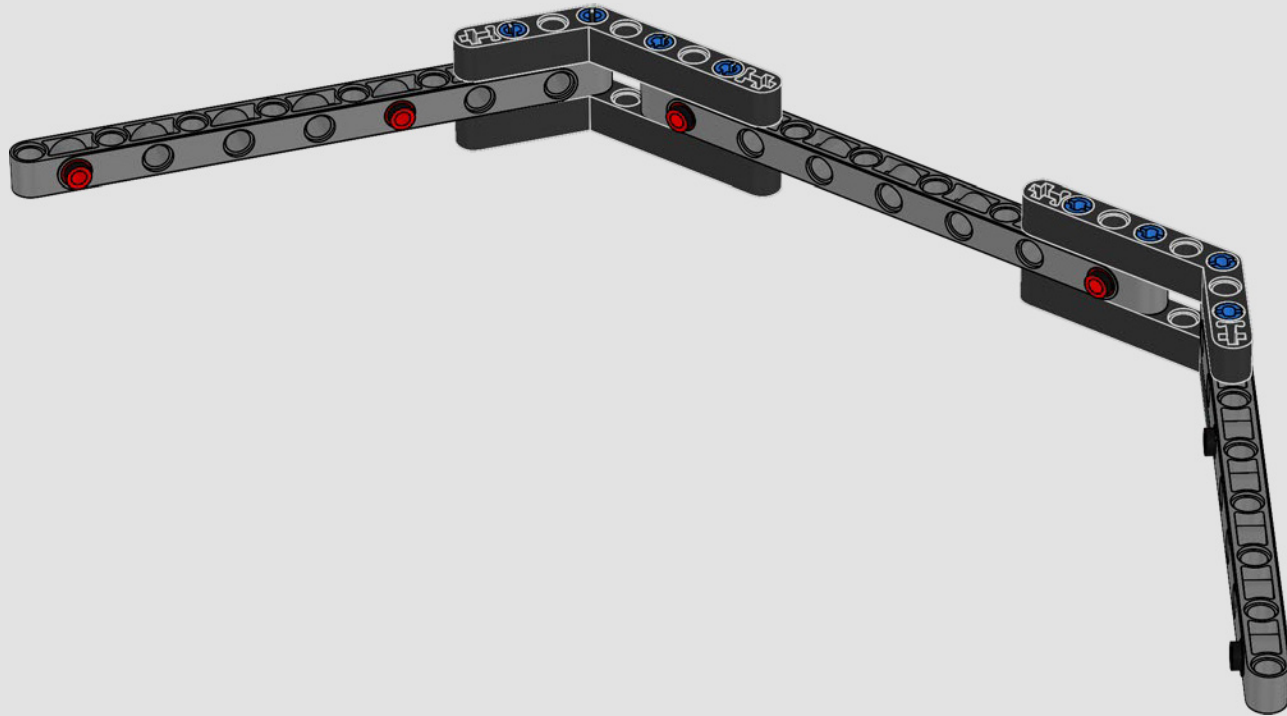


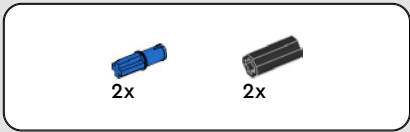
433



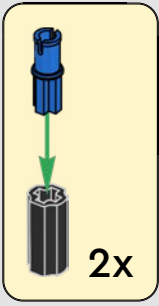
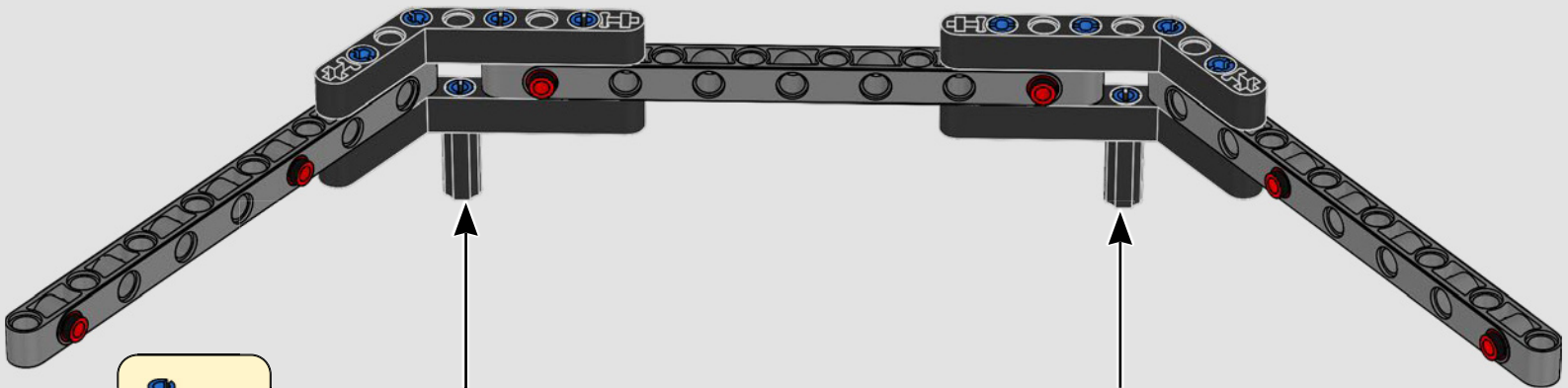


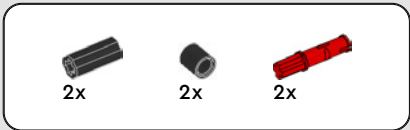
434



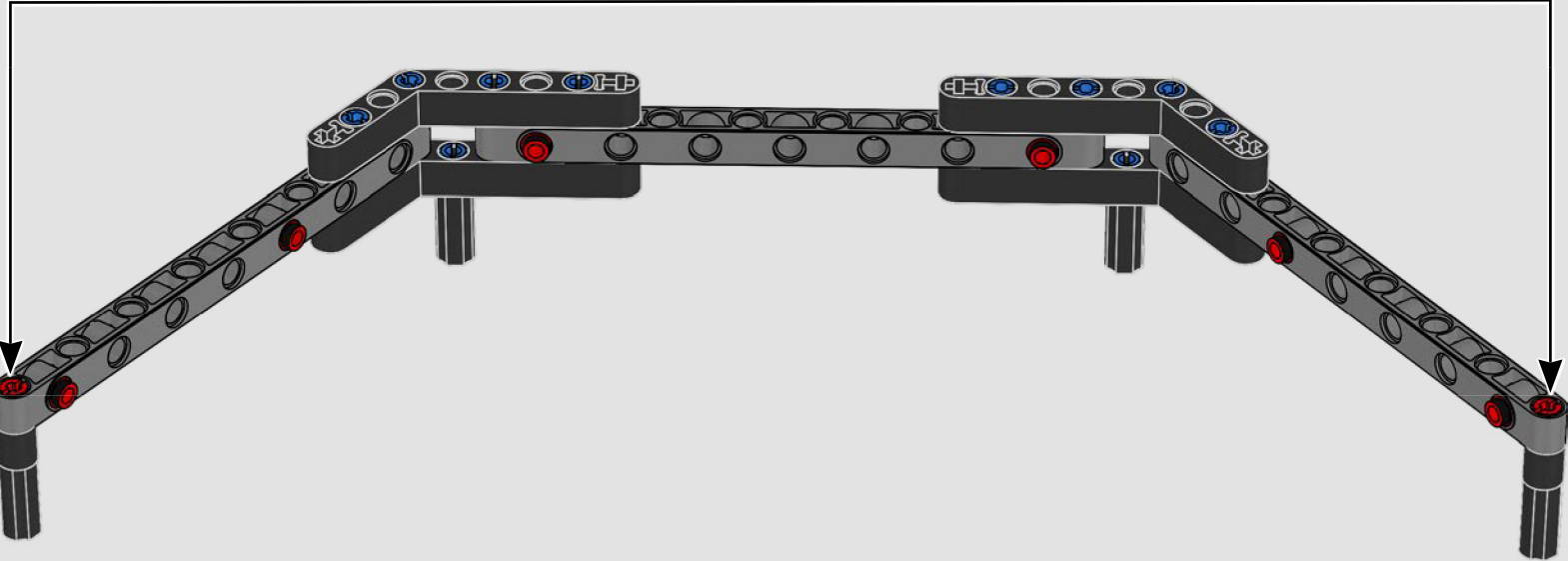
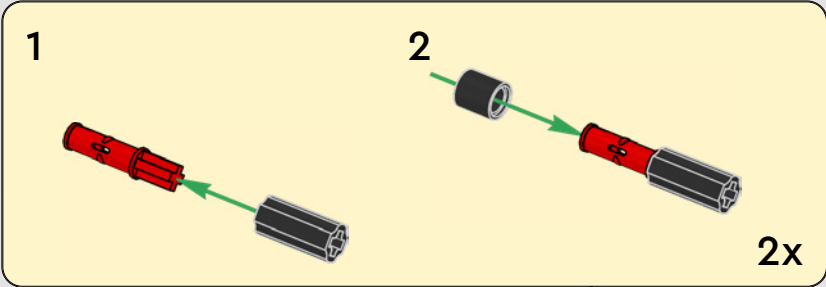


435





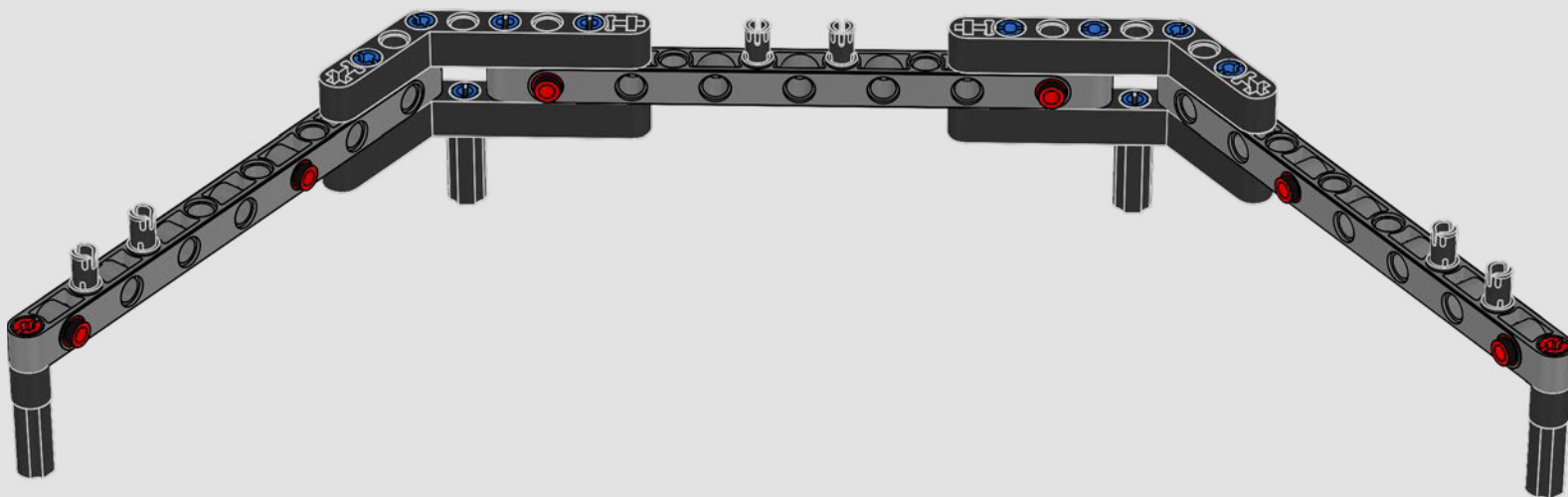
436

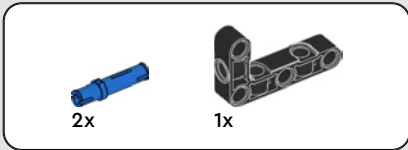
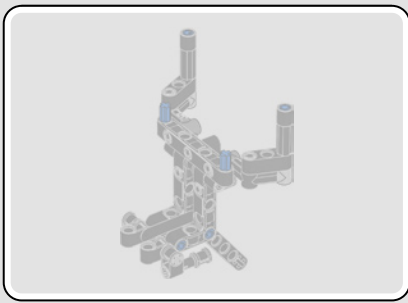




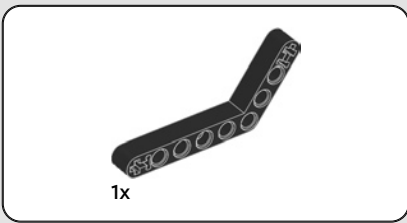
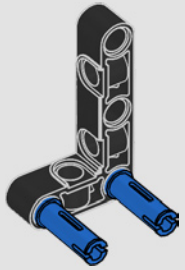
6x

437

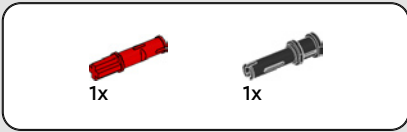
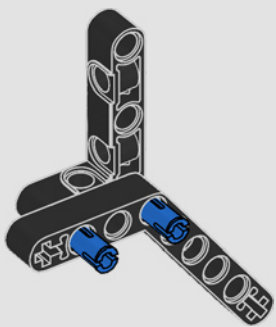




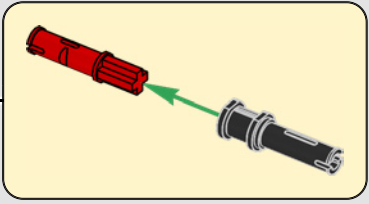
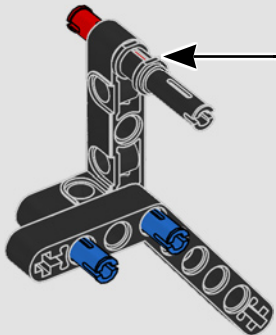
438

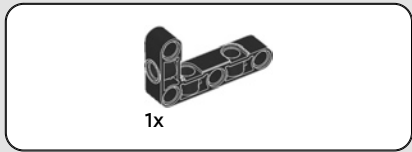


439

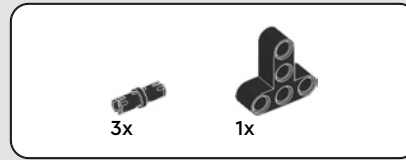
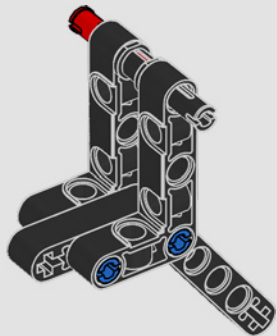


440

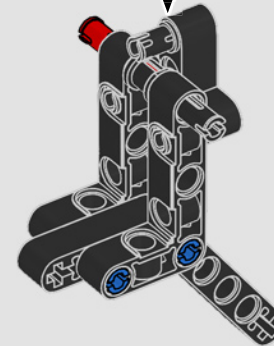
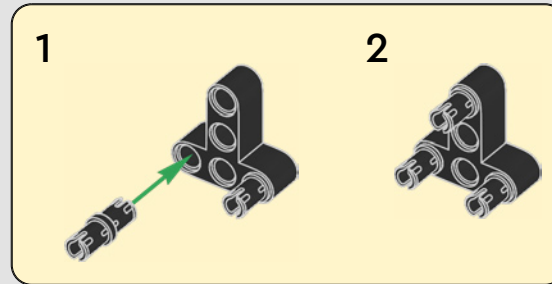


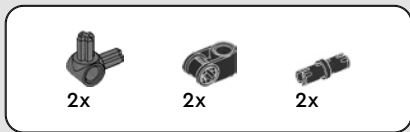


441

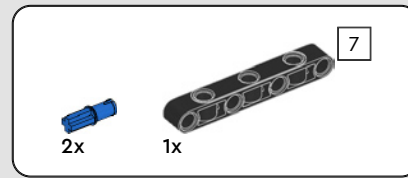
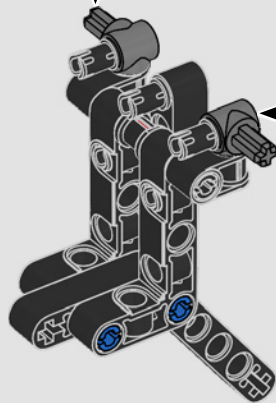
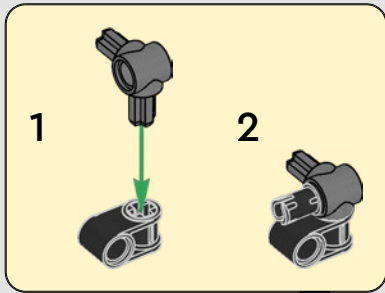
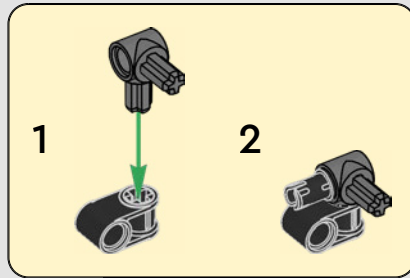


442

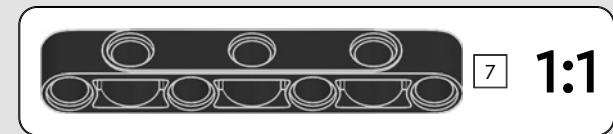
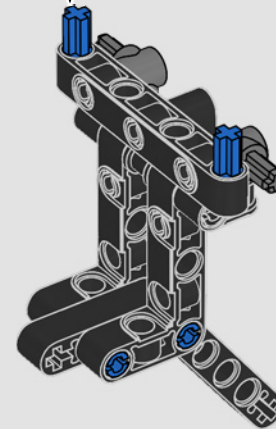
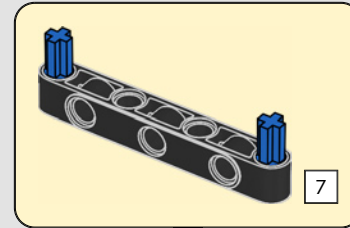


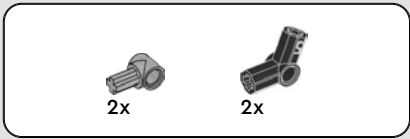


443

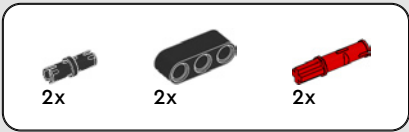
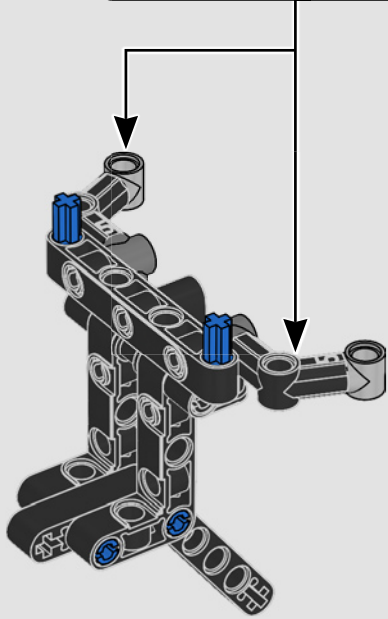
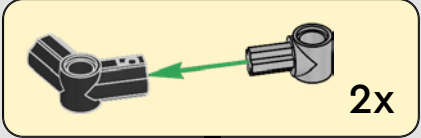


444

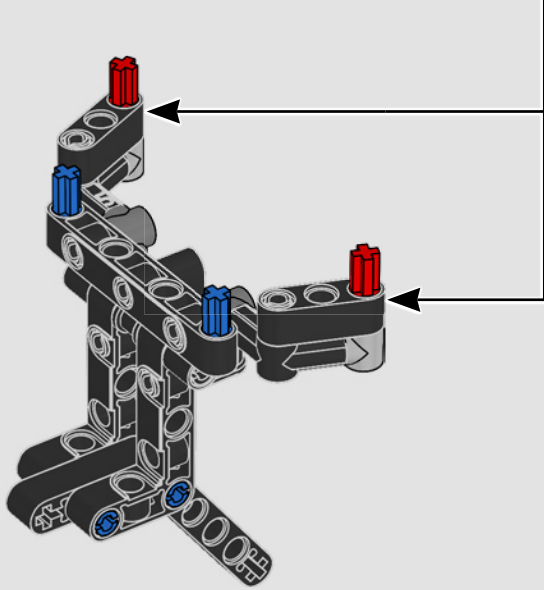
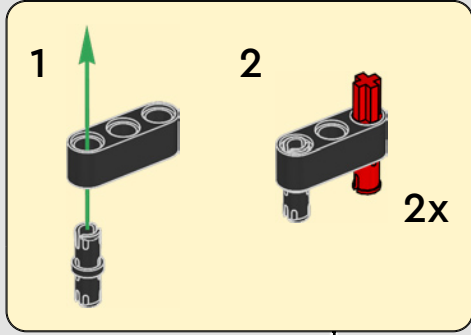


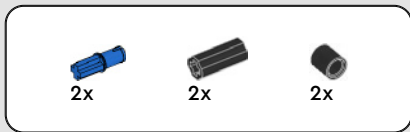


445

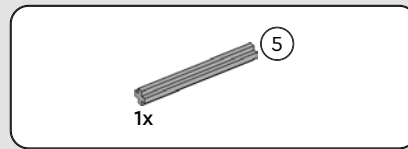
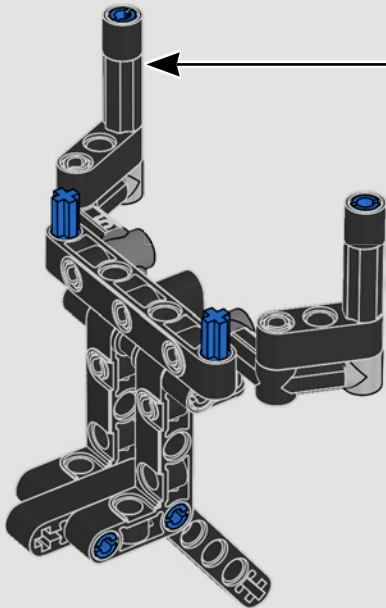
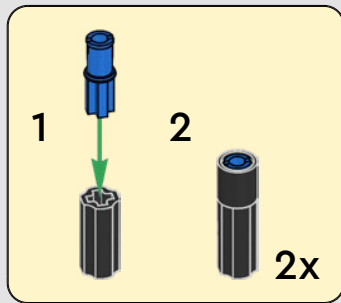


446

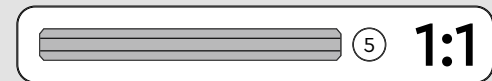
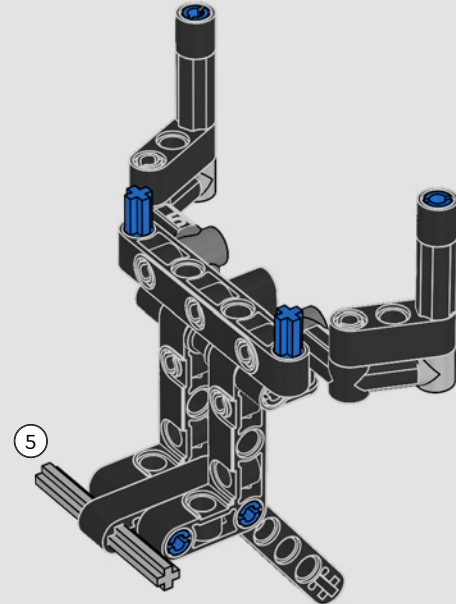




447



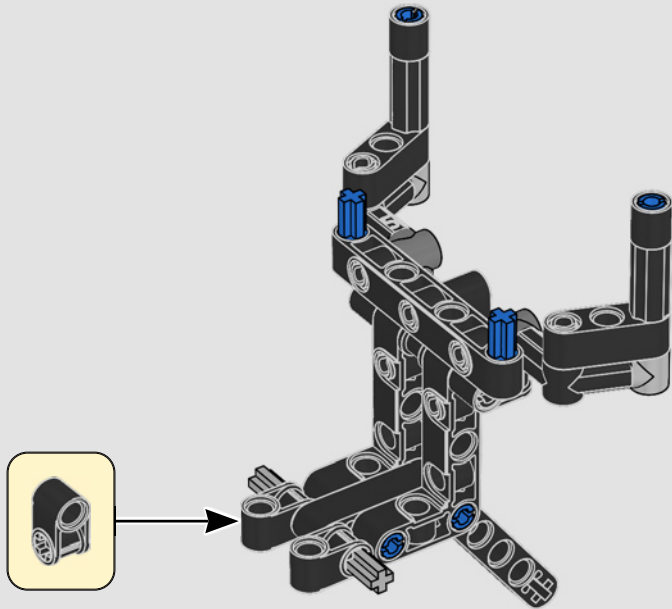
448





2x

449

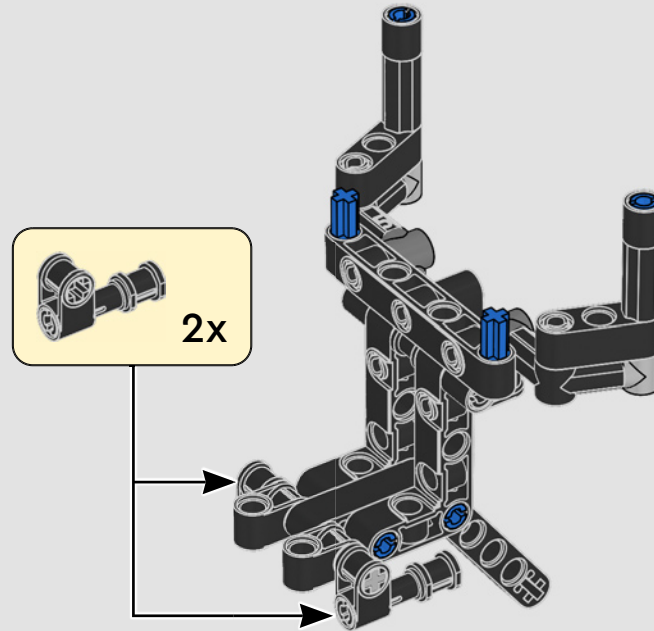


2x

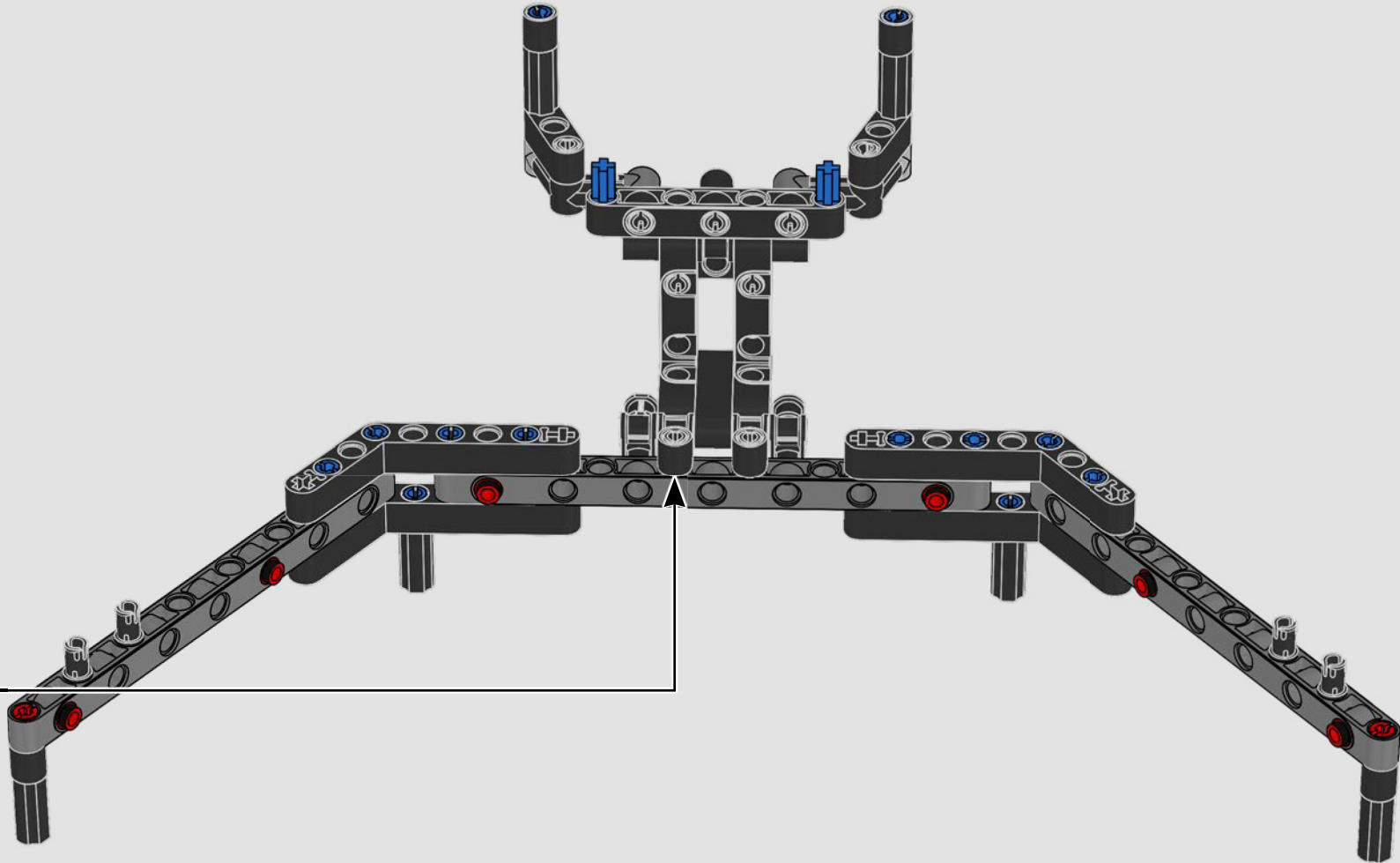


2x

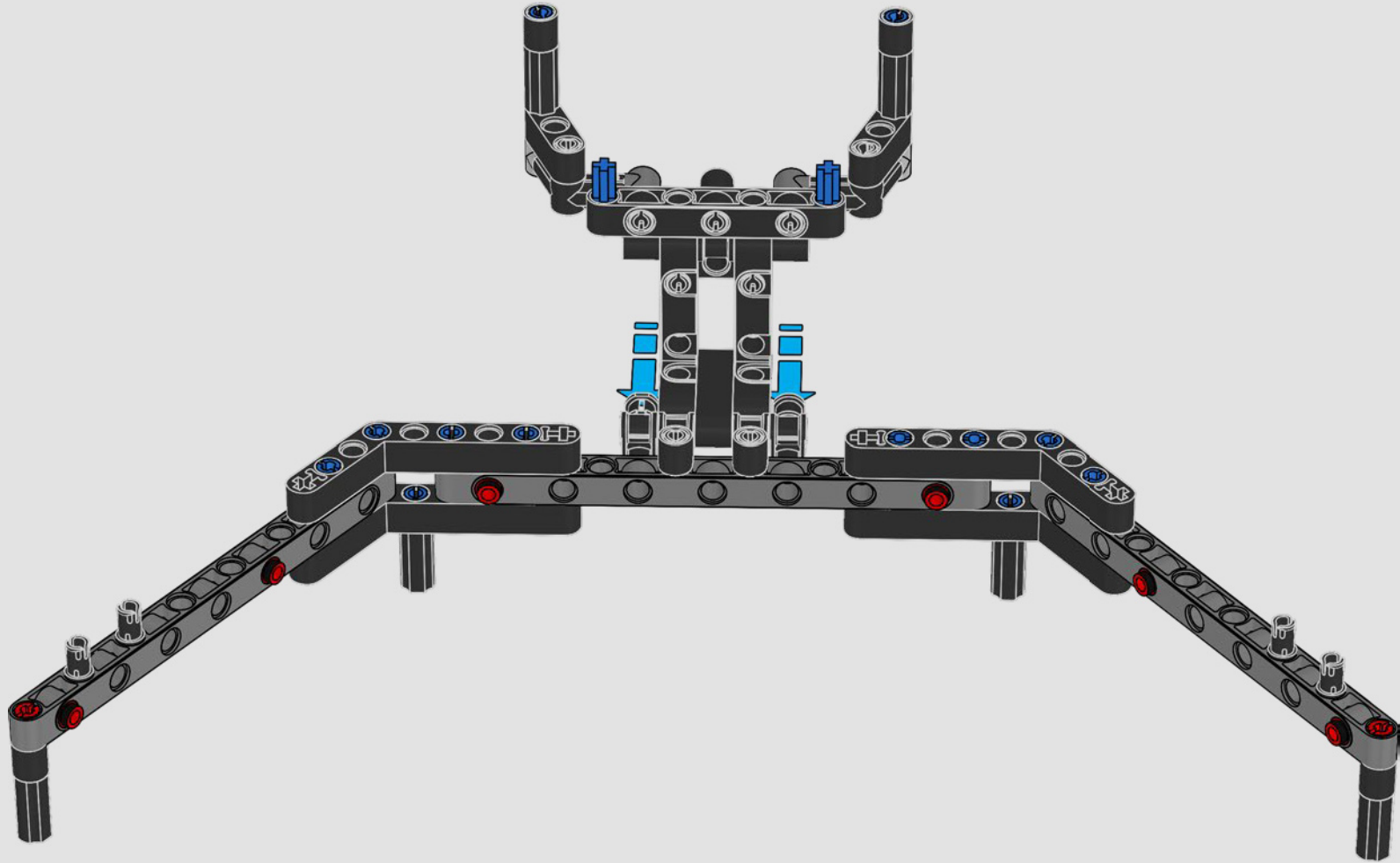
450

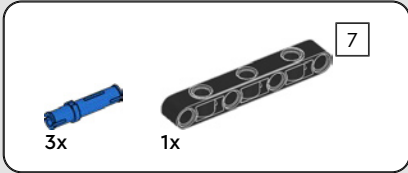
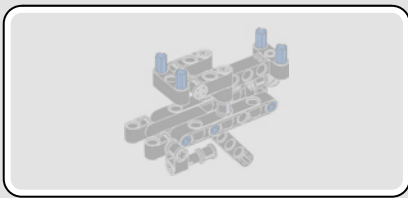


451

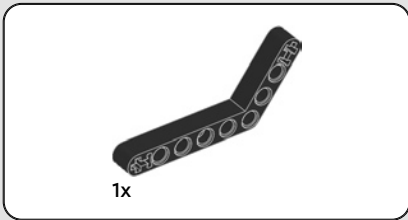
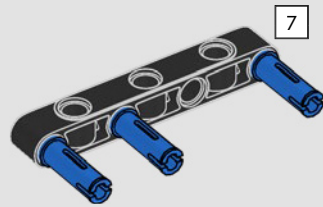


452

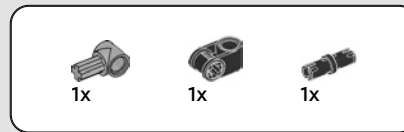
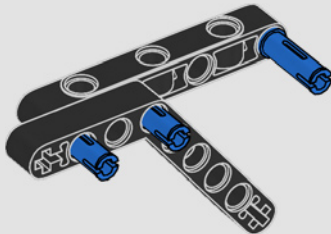




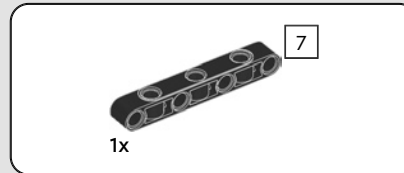
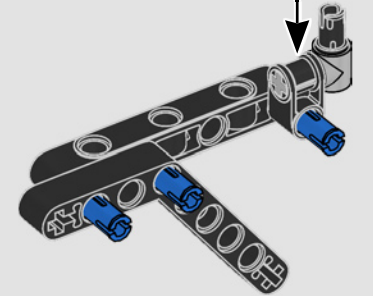
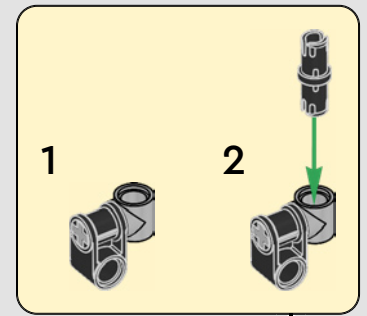
453



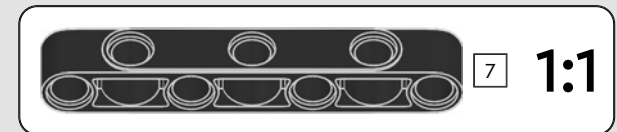
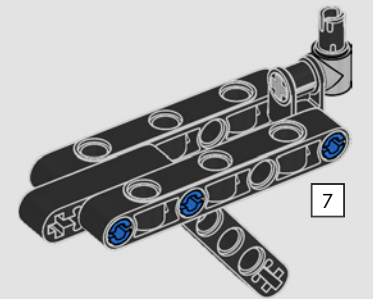
454

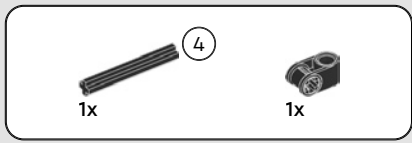


455

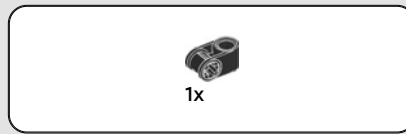
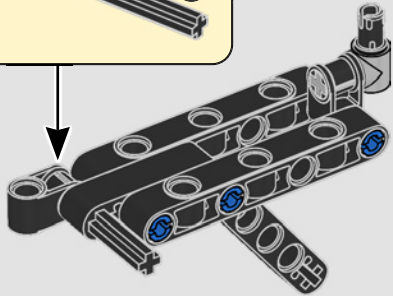
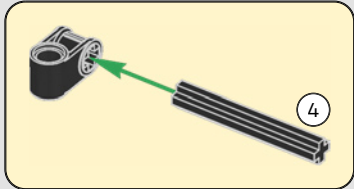


456

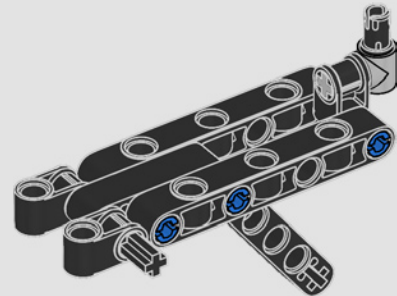


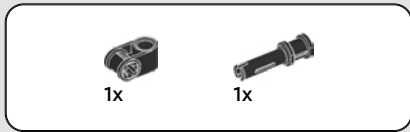


457

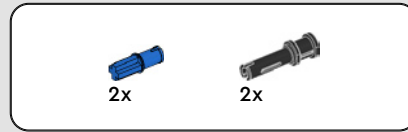
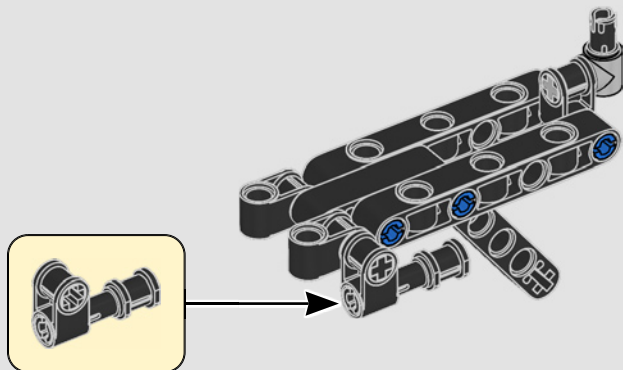


458

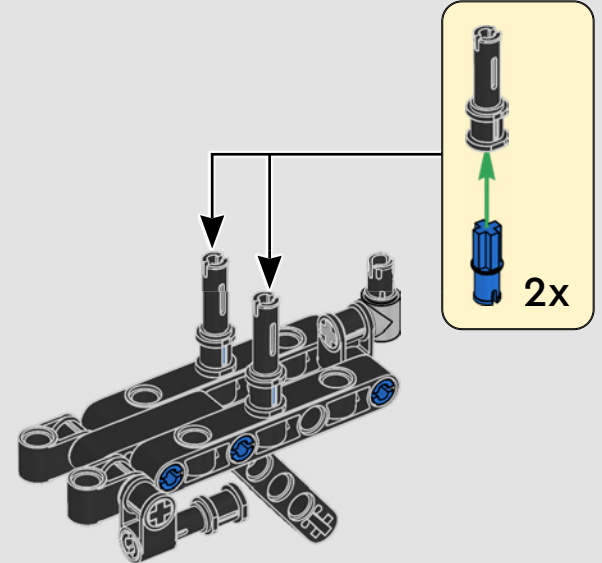


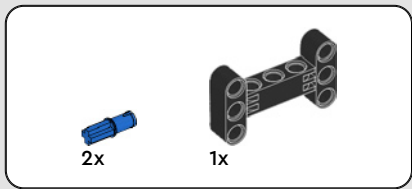


459

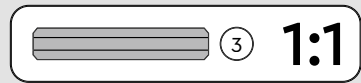
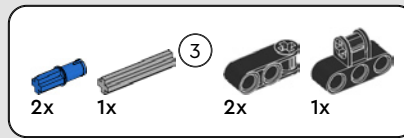
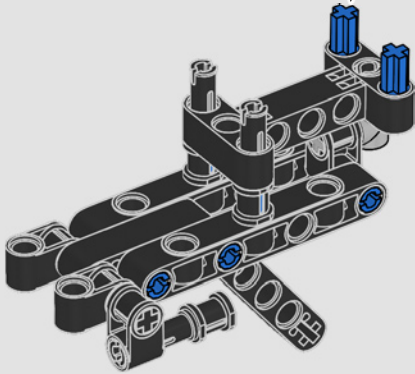
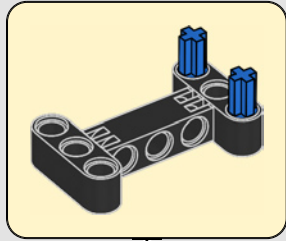


460

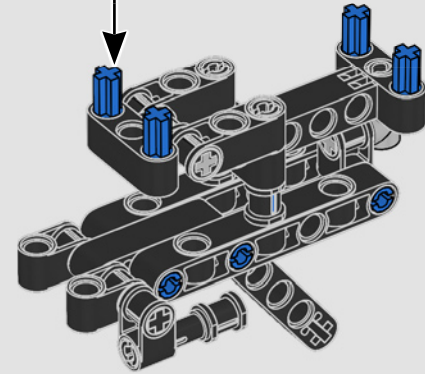
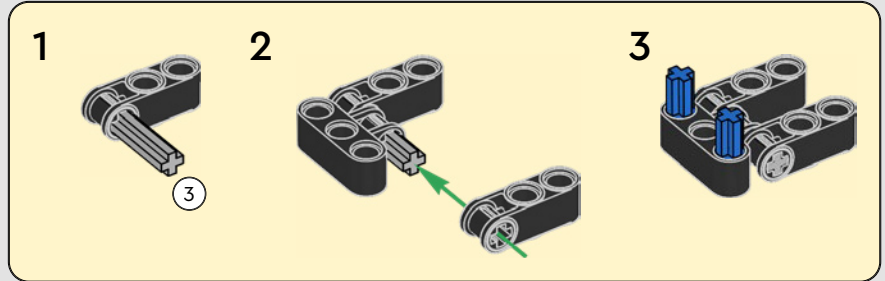




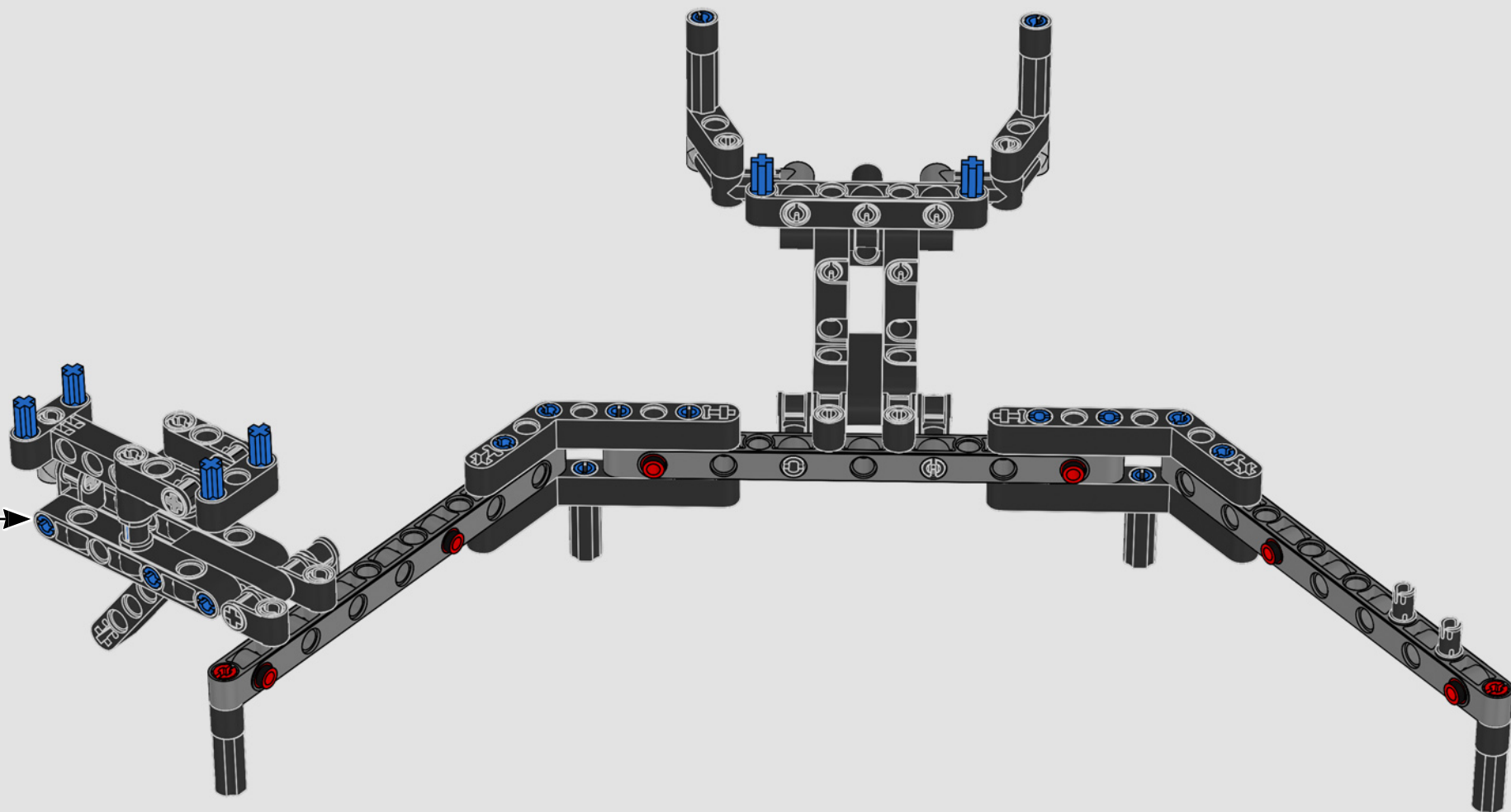
461



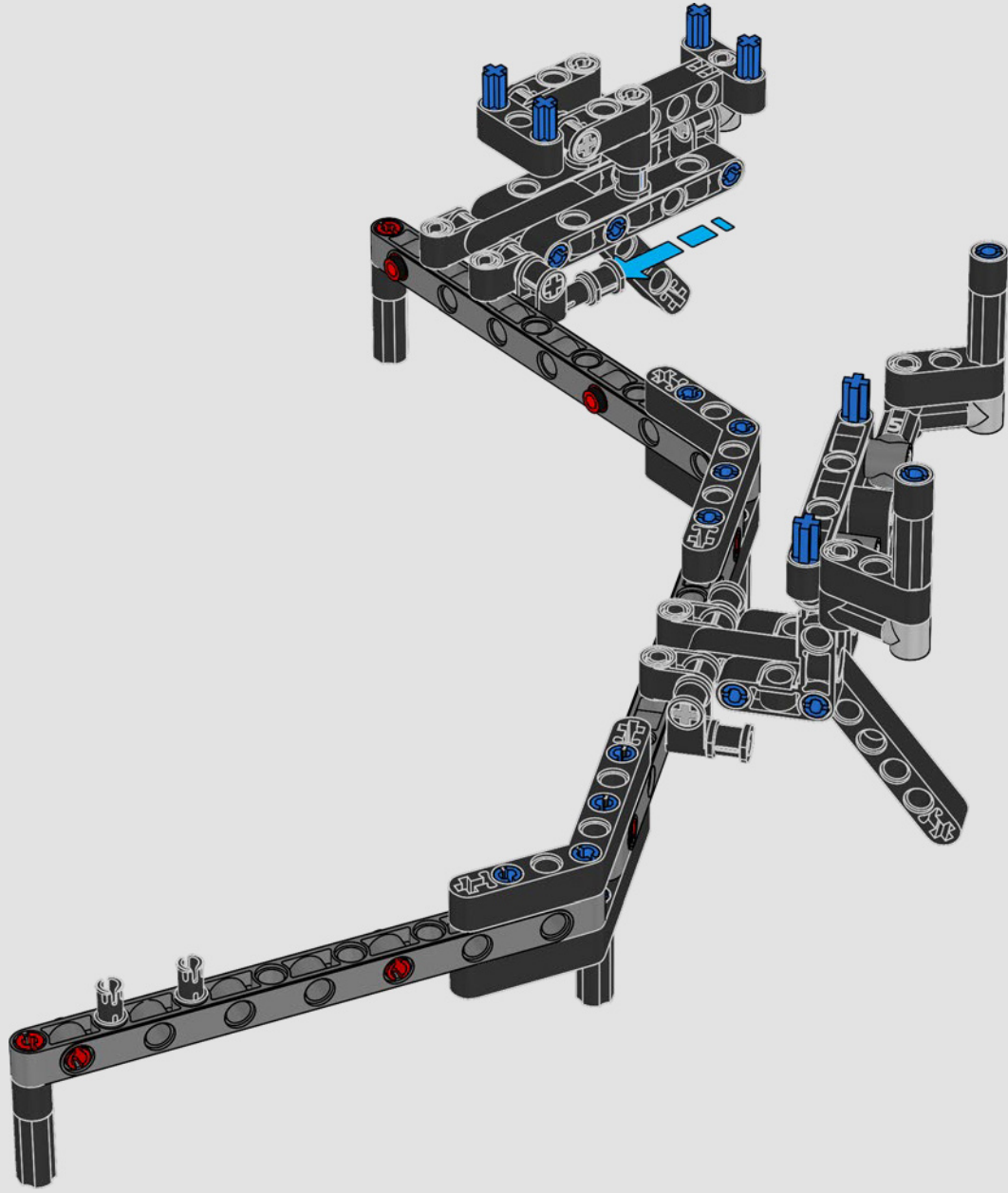
462

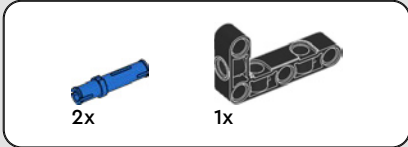
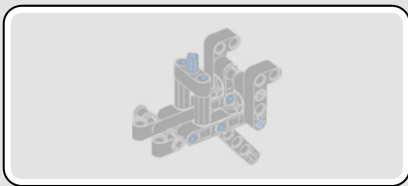


463

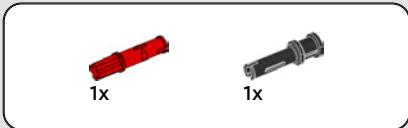
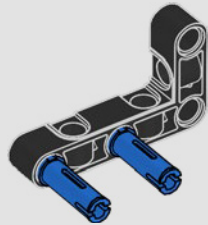


464

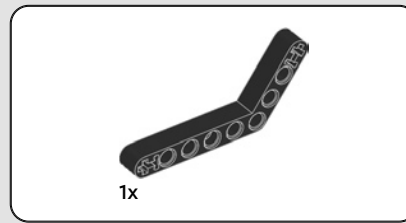
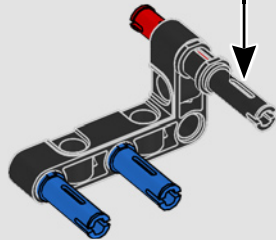
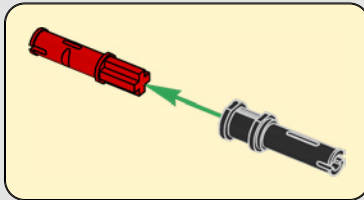




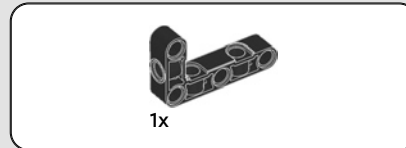
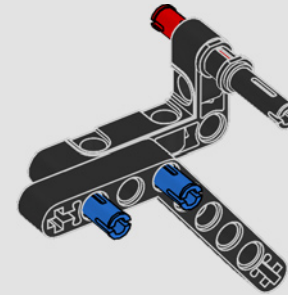
465



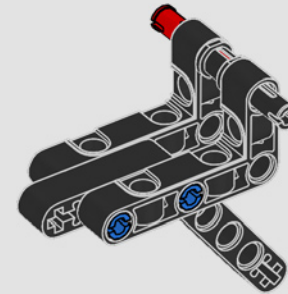
466

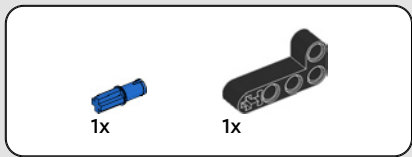


467

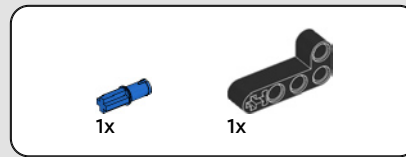
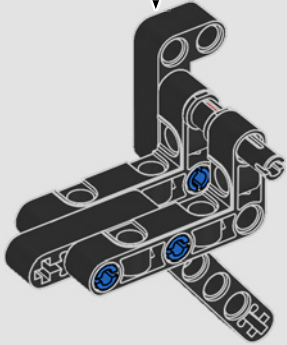
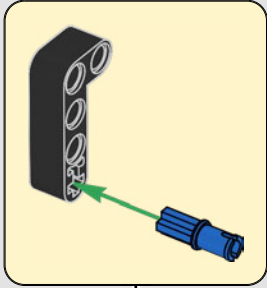


468

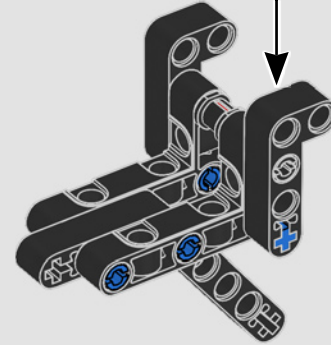
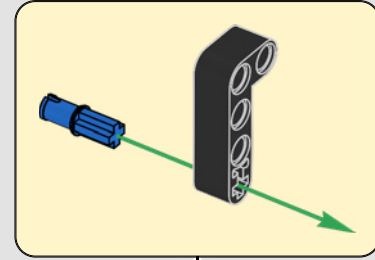


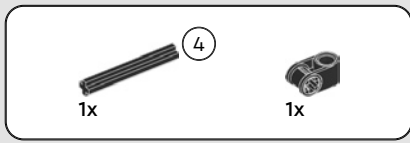


469

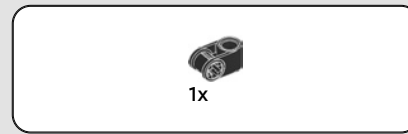
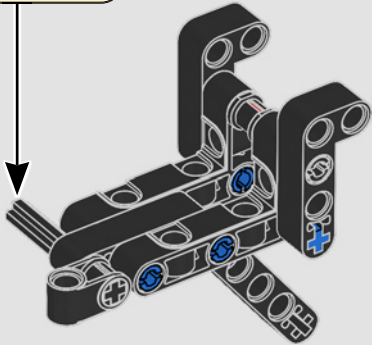
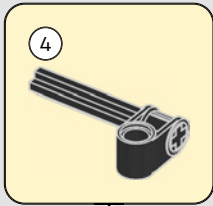


470

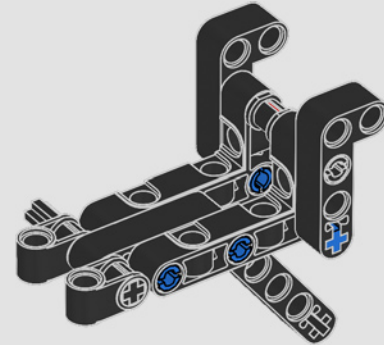




471



472



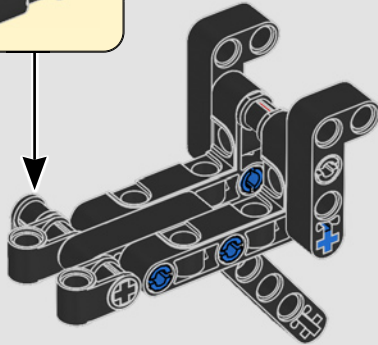
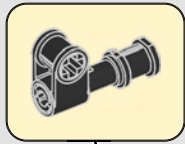


1x



1x

473

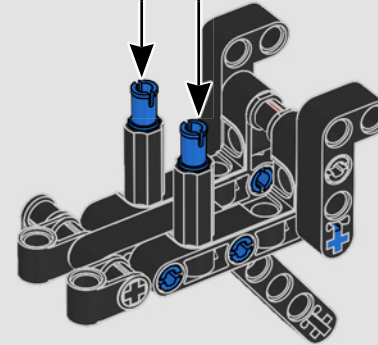
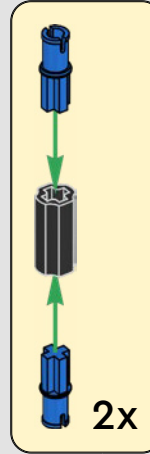


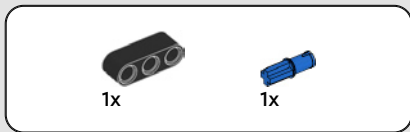
4x



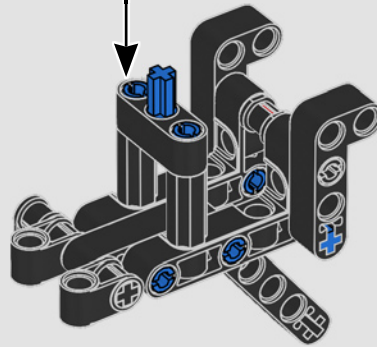
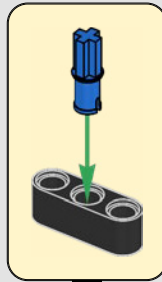
2x

474

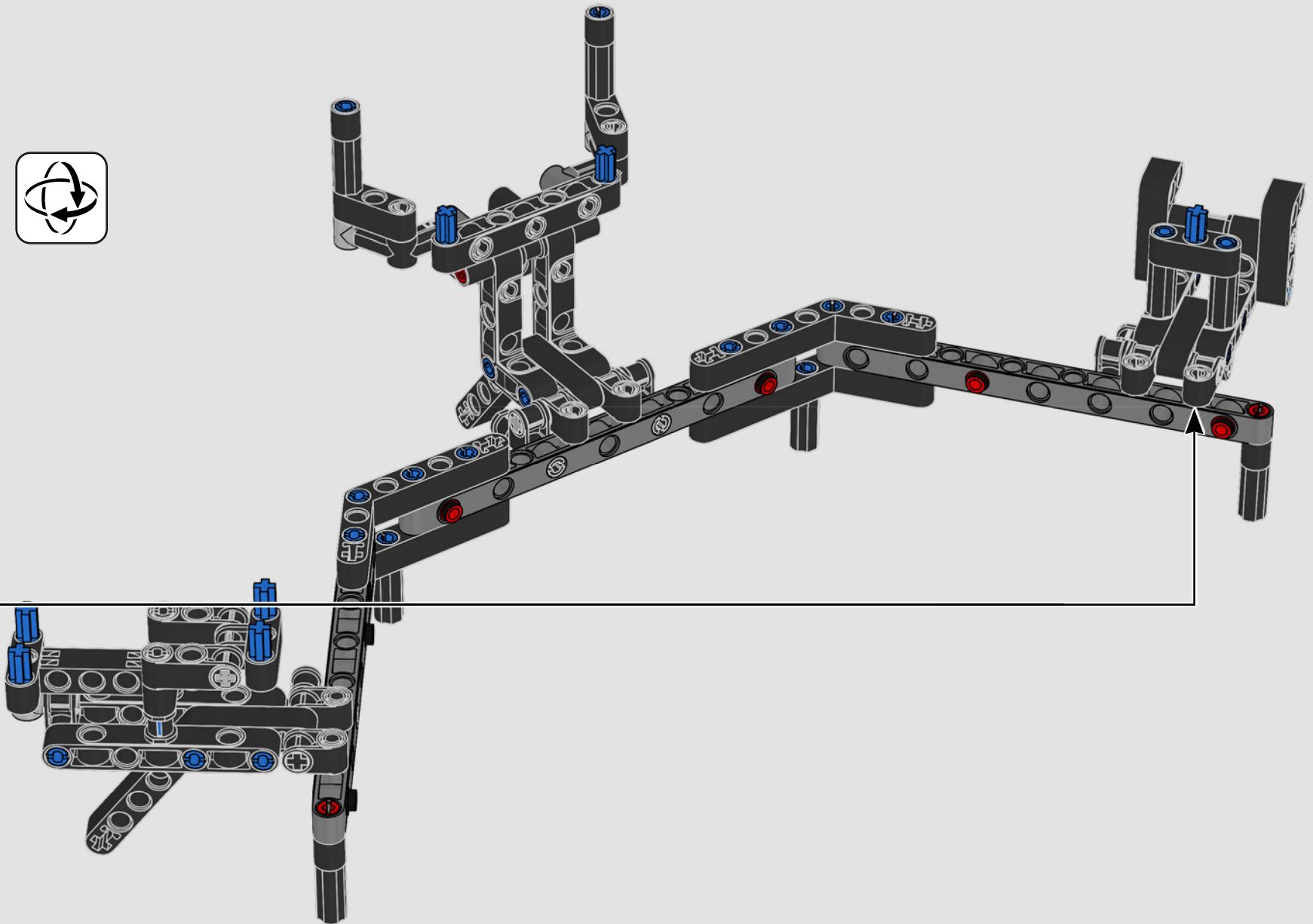




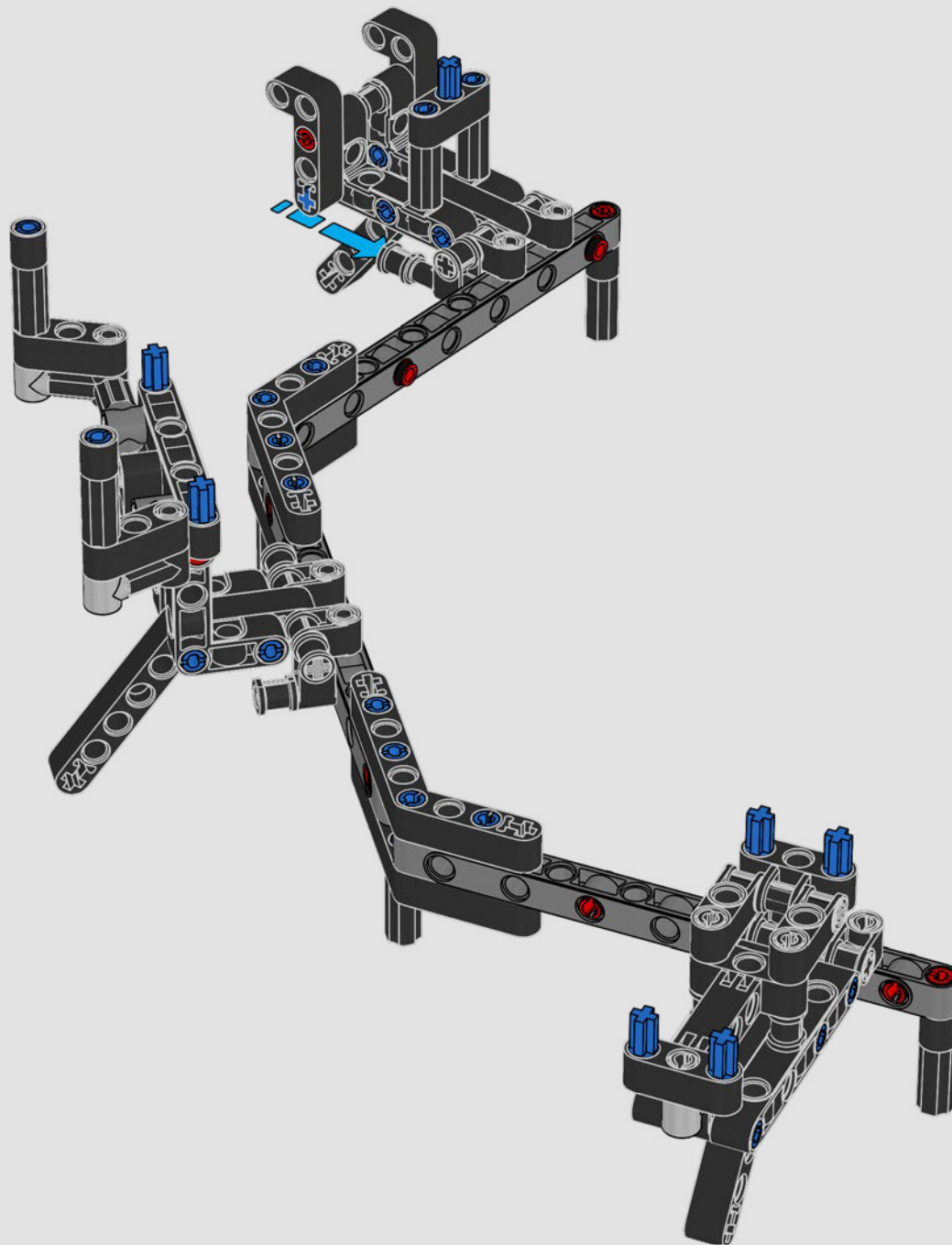
475



476



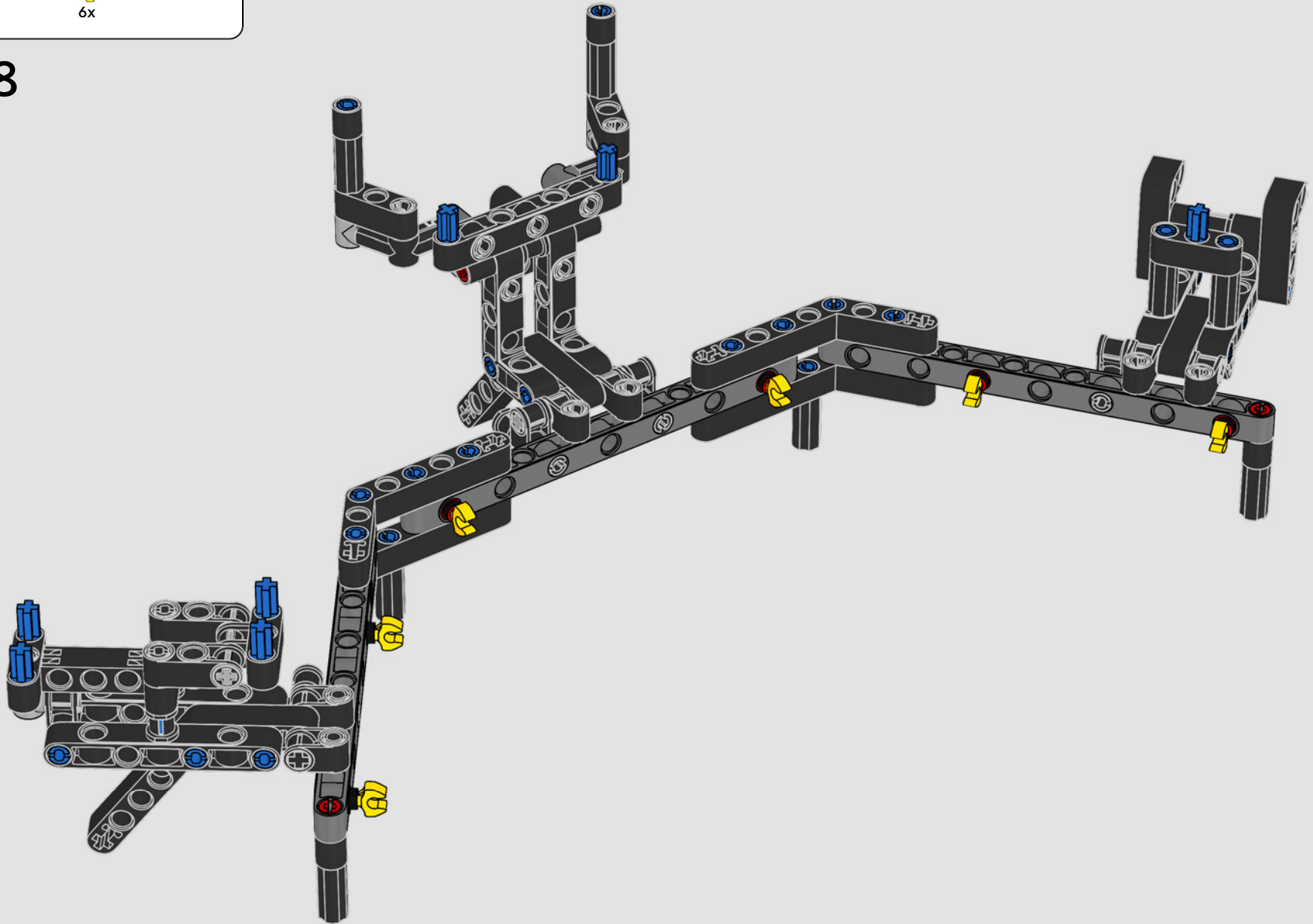
477

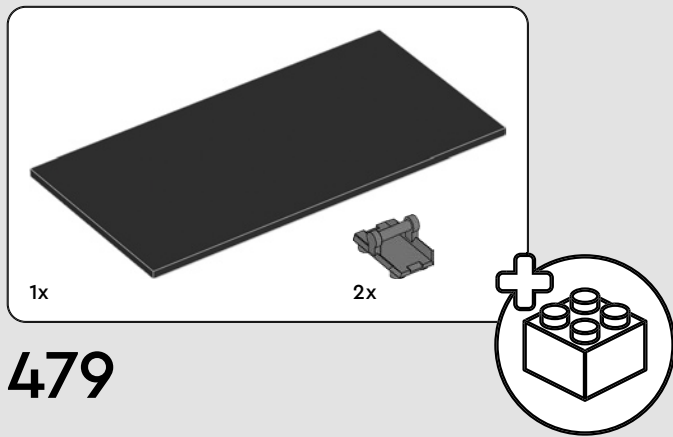




6x

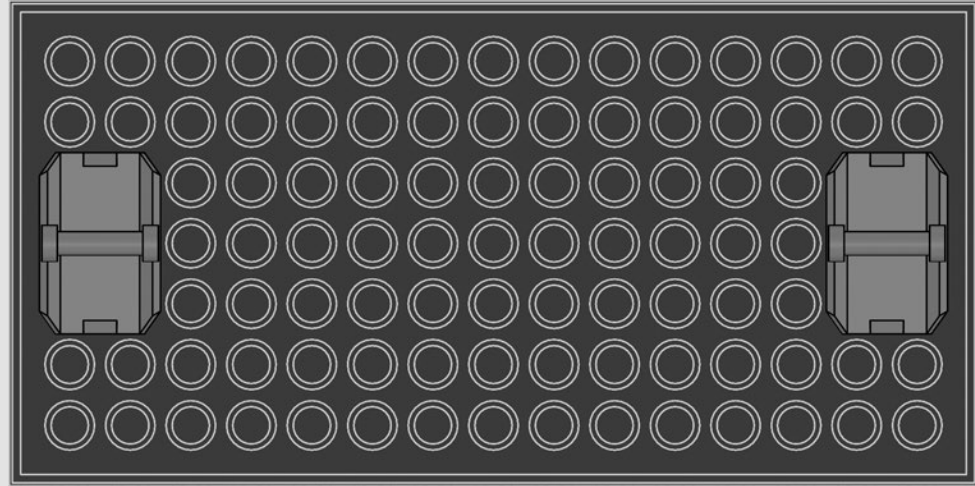
478





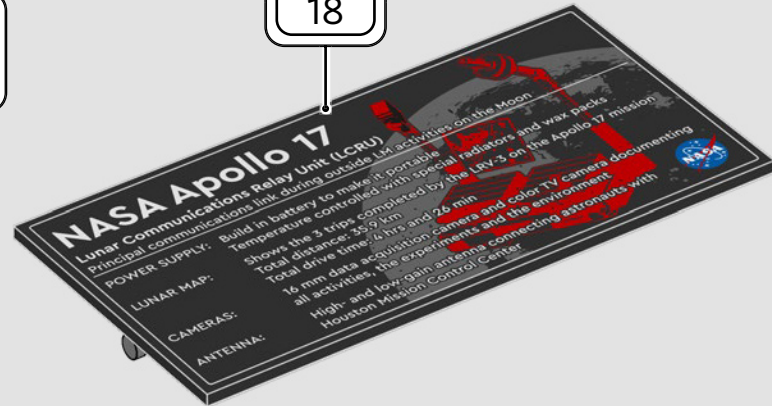
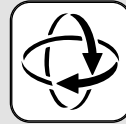
479

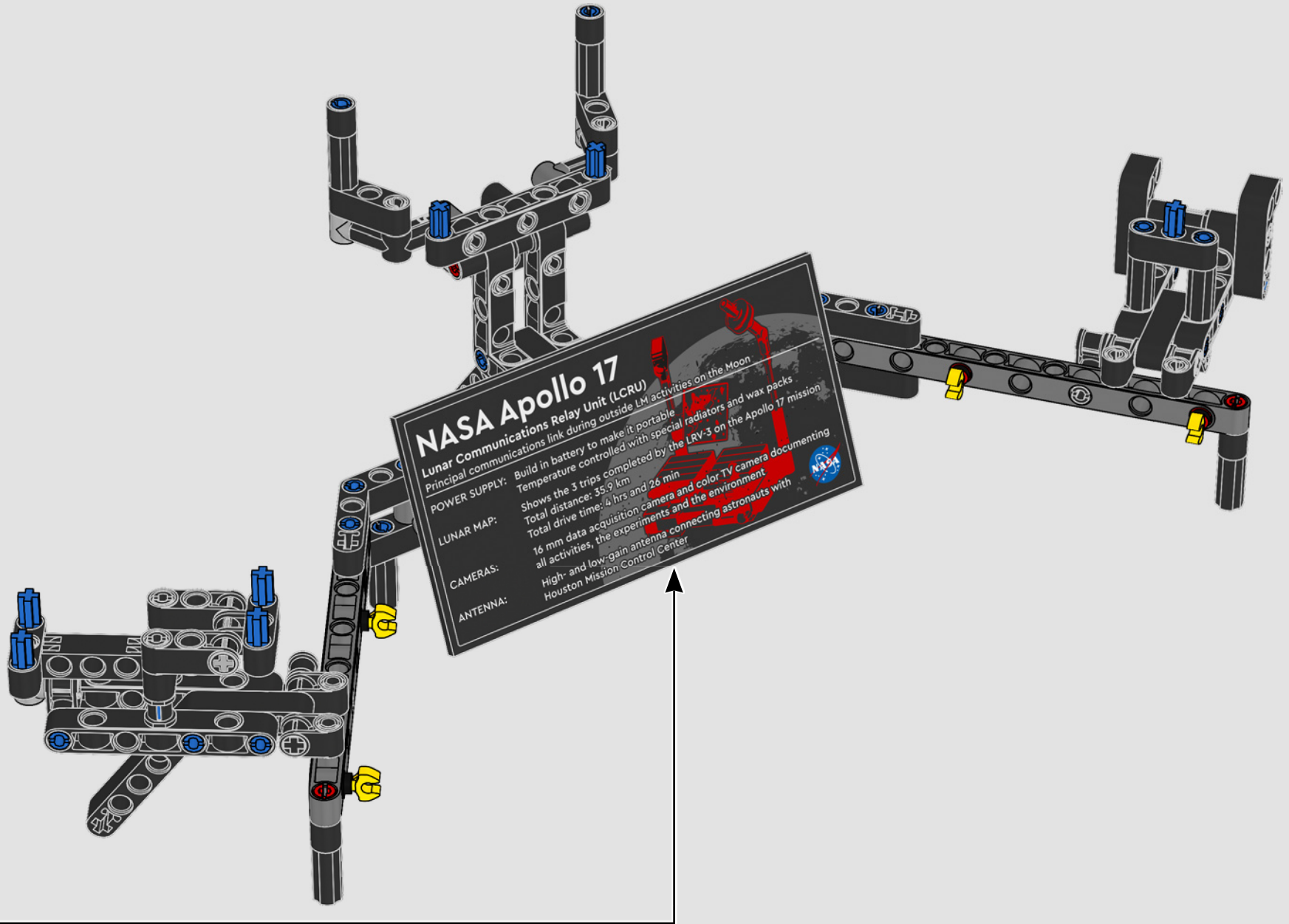
1

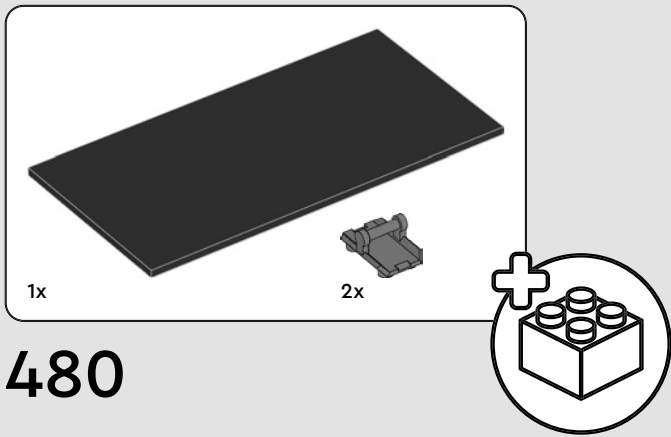


1:1

2

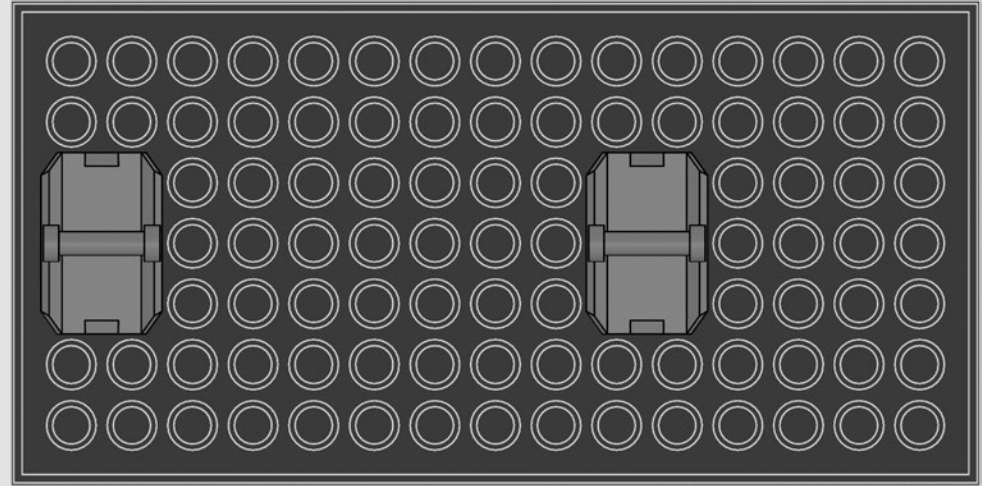






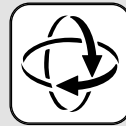
480

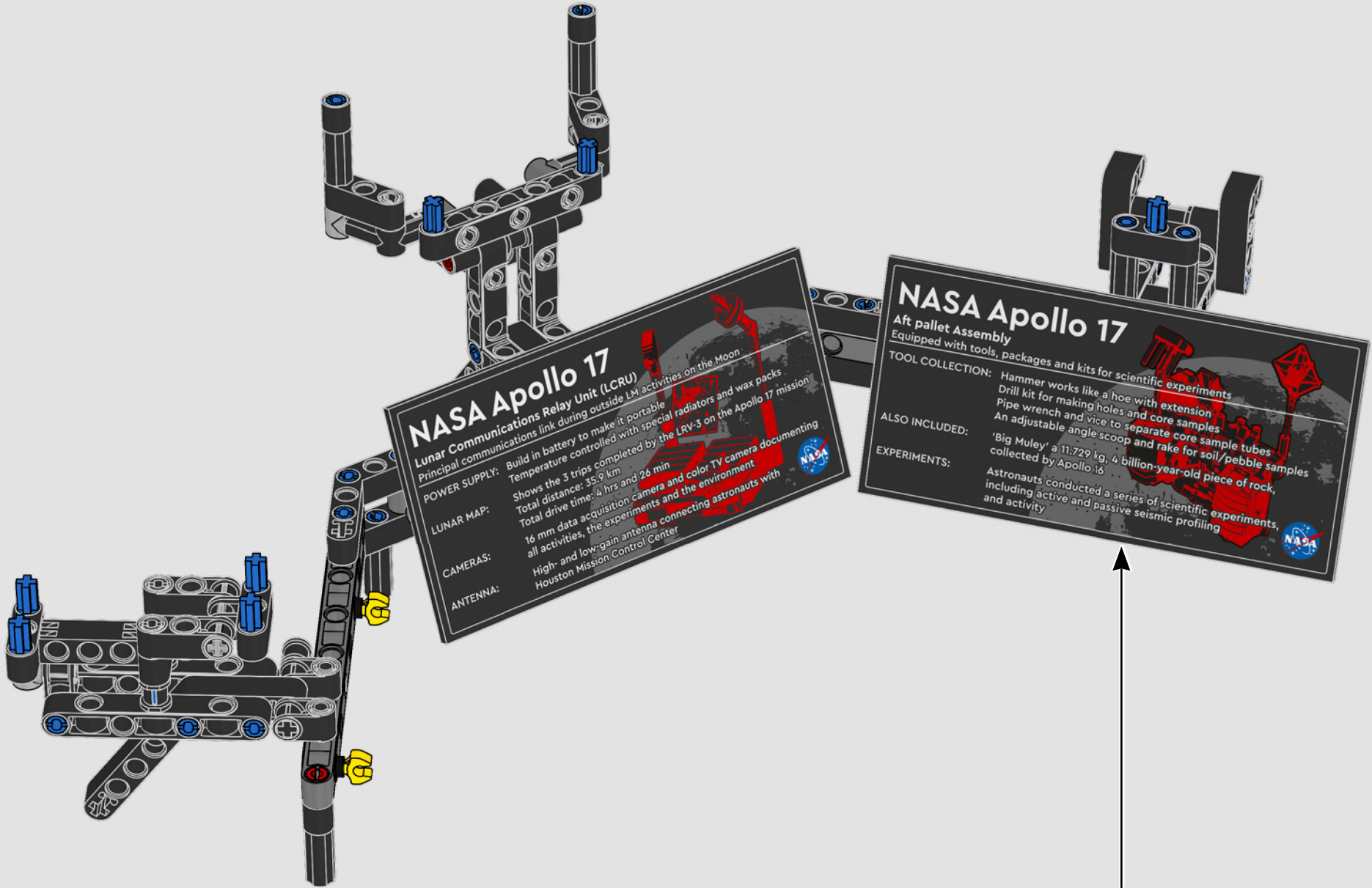
1



1:1

2





NASA Apollo 17

Lunar Communications Relay Unit (LCRU)
 Principal communications link during outside LM activities on the Moon

POWER SUPPLY: Build in battery to make it portable
 Temperature controlled with special radiators and wax packs

LUNAR MAP: Shows the 3 trips completed by the LRV-3 on the Apollo 17 mission
 Total distance: 35.9 km
 Total drive time: 4 hrs and 26 min

CAMERAS: 16 mm data acquisition camera and color TV camera documenting all activities, the experiments and the environment

ANTENNA: High- and low-gain antenna connecting astronauts with Houston Mission Control Center

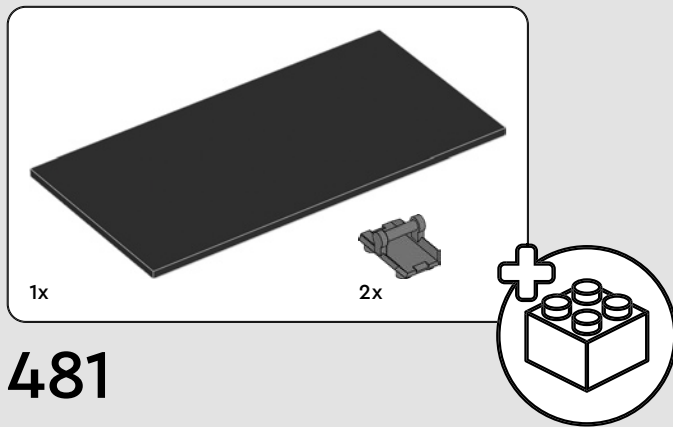
NASA Apollo 17

Aft pallet Assembly
 Equipped with tools, packages and kits for scientific experiments

TOOL COLLECTION: Hammer works like a hoe with extension
 Drill kit for making holes and core samples
 Pipe wrench and vice to separate core sample tubes
 An adjustable angle scoop and rake for soil/pebble samples

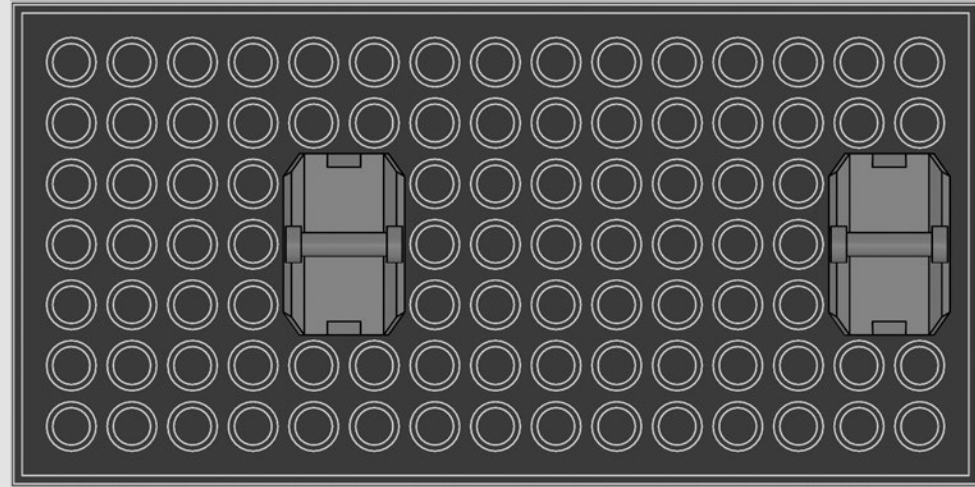
ALSO INCLUDED: 'Big Mule' a 11.729 kg, 4 billion-year-old piece of rock, collected by Apollo 16

EXPERIMENTS: Astronauts conducted a series of scientific experiments, including active and passive seismic profiling and activity



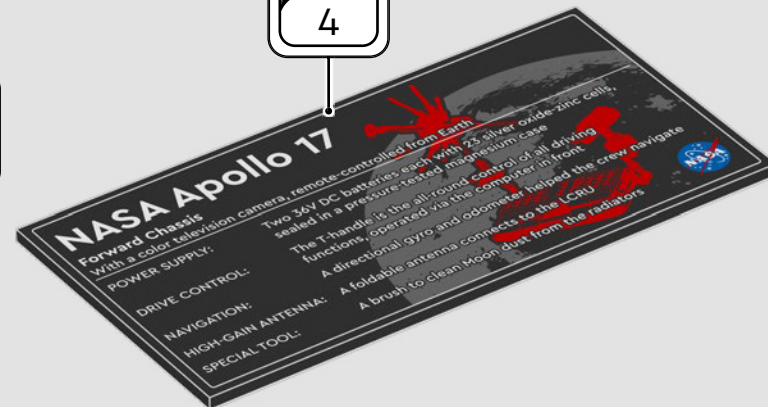
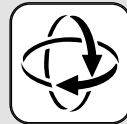
481

1



1:1

2





NASA Apollo 17

Forward Chassis
With a color television camera, remote-controlled from Earth

POWER SUPPLY: Two 36V DC batteries each with 23 silver oxide-zinc cells, sealed in a pressure-tested magnesium case

DRIVE CONTROL: The T-handle is the all-round control of all driving functions, operated via the computer in front

NAVIGATION: A directional gyro and odometer helped the crew navigate

HIGH-GAIN ANTENNA: A foldable antenna connects to the LCRU

SPECIAL TOOL: A brush to clean Moon dust from the radiators

NASA Apollo 17

Lunar Communications Relay Unit (LCRU)
Principal communications link during outside LM activities on the Moon

POWER SUPPLY: Build in battery to make it portable
Temperature controlled with special radiators and wax packs

LUNAR MAP: Shows the 3 trips completed with special radiators and wax packs
Total distance: 35,9 km
Total drive time: 4 hrs and 26 min

CAMERAS: 16 mm data acquisition camera and color TV camera documenting all activities, the experiments and the environment

ANTENNA: High- and low-gain antenna connecting astronauts with Houston Mission Control Center

NASA Apollo 17

Forward Chassis
With a color television camera, remote-controlled from Earth

POWER SUPPLY: Two 36V DC batteries each with 23 silver oxide-zinc cells, sealed in a pressure-tested magnesium case

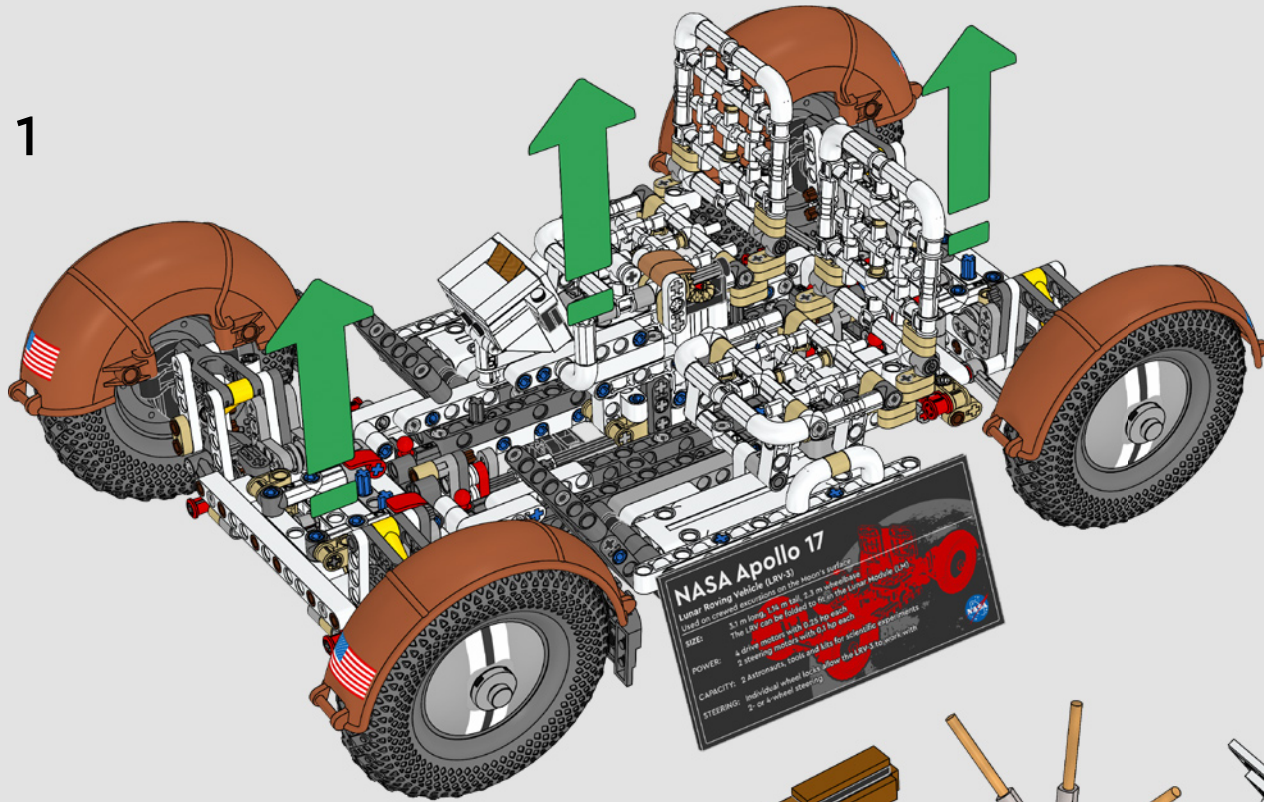
DRIVE CONTROL: The T-handle is the all-round control of all driving functions, operated via the computer in front

NAVIGATION: A directional gyro and odometer helped the crew navigate

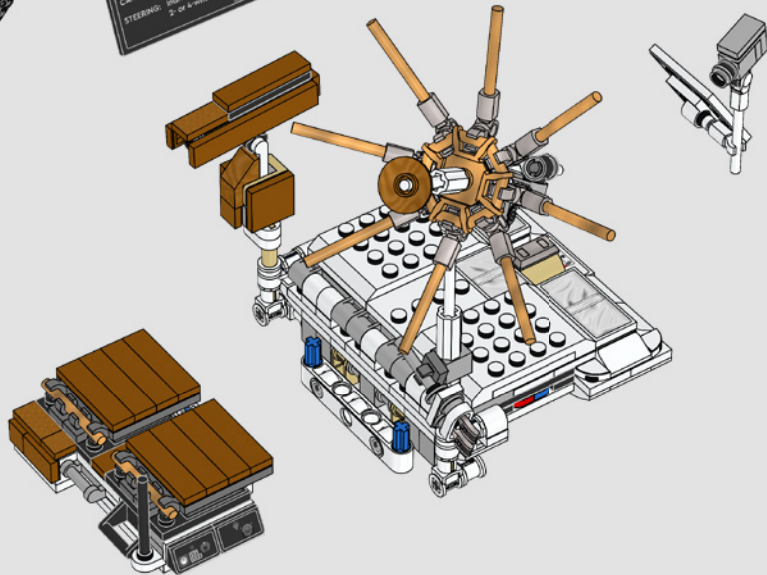
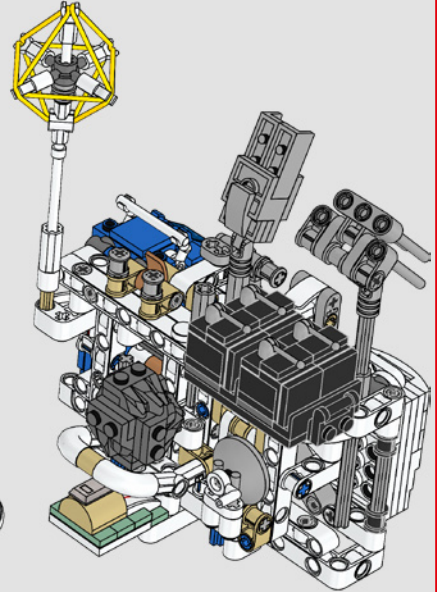
HIGH-GAIN ANTENNA: A foldable antenna connects to the LCRU

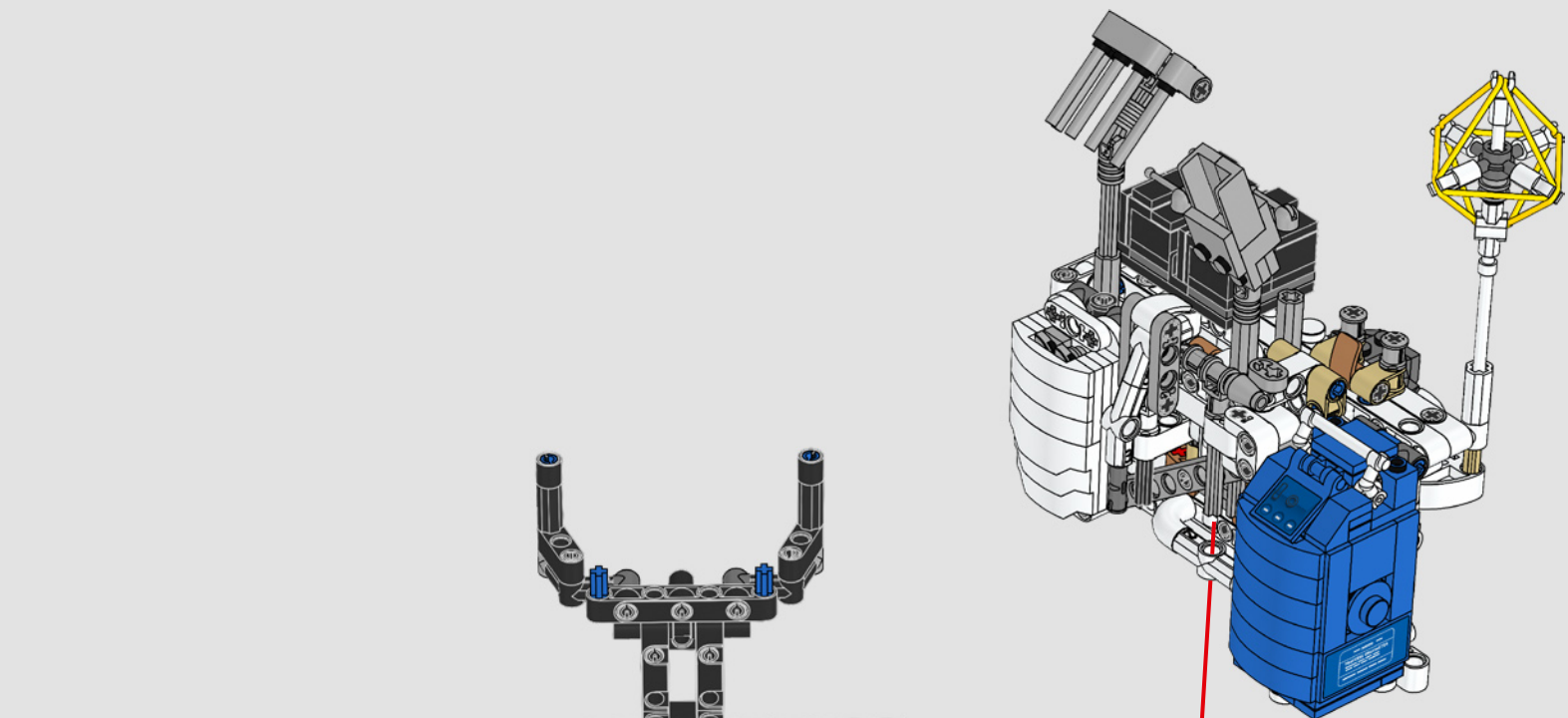
SPECIAL TOOL: A brush to clean Moon dust from the radiators

1



NASA Apollo 17
Lunar Roving Vehicle (LRV-5)
Used on several missions on the Moon's surface.
SIZE: 3.1 m long, 1.14 m wide, 2.3 m wheelbase
The LRV can be loaded to full. The Lunar Module (LM) can hold 1500 kg. The LRV can hold 1130 kg.
POWER: 4 drive motors with 0-63 hp each
3 steering motors with 63 hp each
CAPACITY: 2 Astronauts, tools and kits for scientific experiments
STEERING: Individual wheel locks for the LRV to park with 0- or 4-wheel steering.





NASA Apollo 17
Forward Chassis
 Forward chassis with a color television camera, remote-controlled from Earth.
 Two 34V DC batteries, each with 24 three-watt zinc cells, sealed in a pressure vessel, independent case.
 The 1 handle is the off-road control of all driving functions, operated via the computer interface.
 A directional gyro and compass located the crew's progress.
 A foldable antenna connected to the LCRU.
 A built-in clock, powered due from the radiators.

POWER SUPPLY: Build in battery to make it portable. Temperature controlled with special radiators and wax packs.

LUNAR MAP: Shows the 3 trips completed by the LRV-3 on the Apollo 17 mission. Total distance: 35.9 km. Total drive time: 4 hrs and 26 min.

CAMERAS: 16 mm data acquisition camera and color TV camera documenting all activities, the experiments and the environment.

ANTENNA: High- and low-gain antenna connecting astronauts with Houston Mission Control Center.

NASA Apollo 17
Lunar Communications Relay Unit (LCRU)
 Principal communications link during outside LM activities on the Moon.

POWER SUPPLY: Build in battery to make it portable. Temperature controlled with special radiators and wax packs.

LUNAR MAP: Shows the 3 trips completed by the LRV-3 on the Apollo 17 mission. Total distance: 35.9 km. Total drive time: 4 hrs and 26 min.

CAMERAS: 16 mm data acquisition camera and color TV camera documenting all activities, the experiments and the environment.

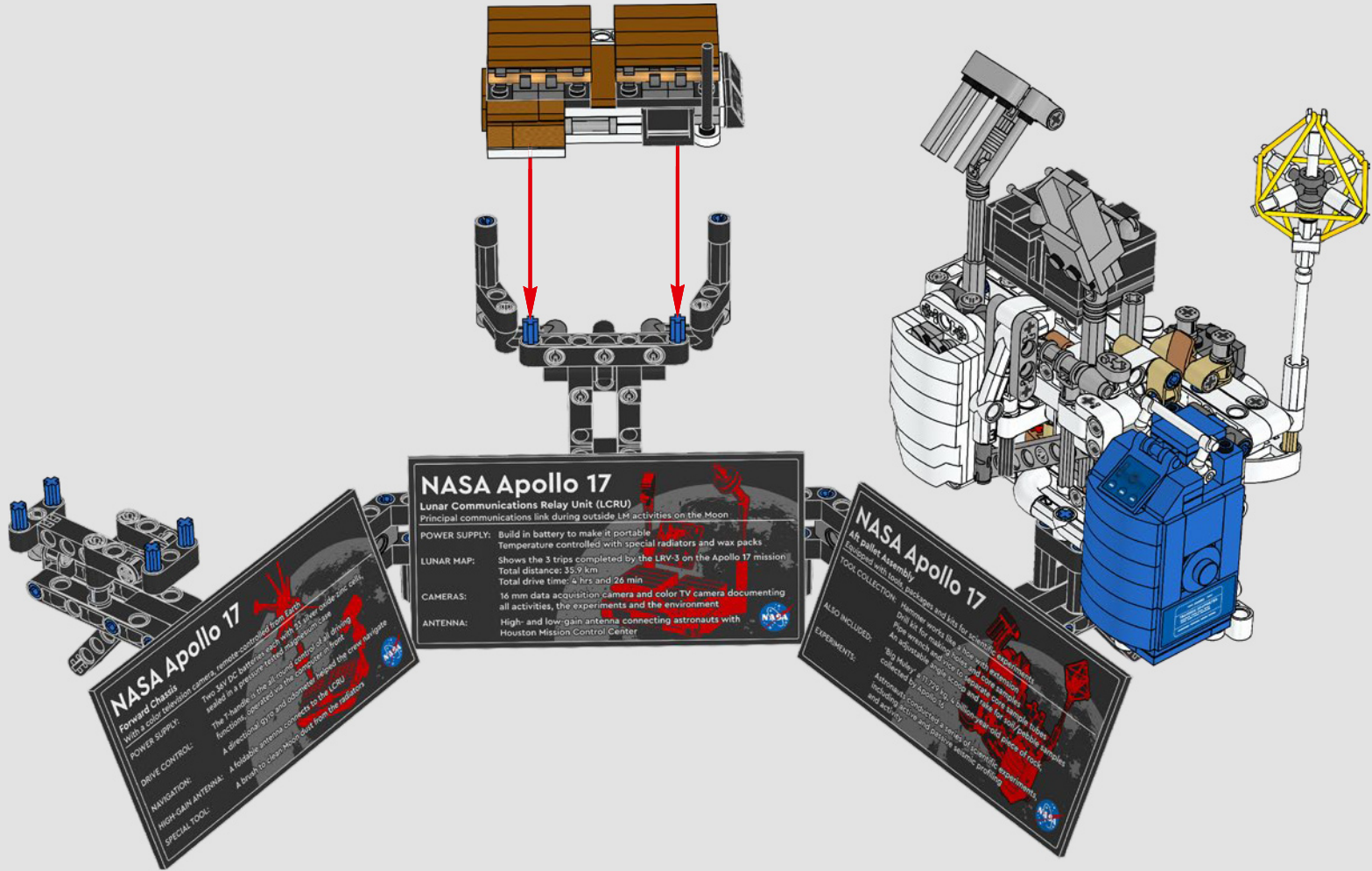
ANTENNA: High- and low-gain antenna connecting astronauts with Houston Mission Control Center.

NASA Apollo 17
Air Pallet Assembly
 Equipped with tools, packages and kits for scientific experiments.

TOOL COLLECTION: Hammer, wrench, screwdriver, pliers, and other tools for scientific experiments.

ALSO INCLUDED: Hammer, wrench, screwdriver, pliers, and other tools for scientific experiments.

EXPERIMENTS: Hammer, wrench, screwdriver, pliers, and other tools for scientific experiments.

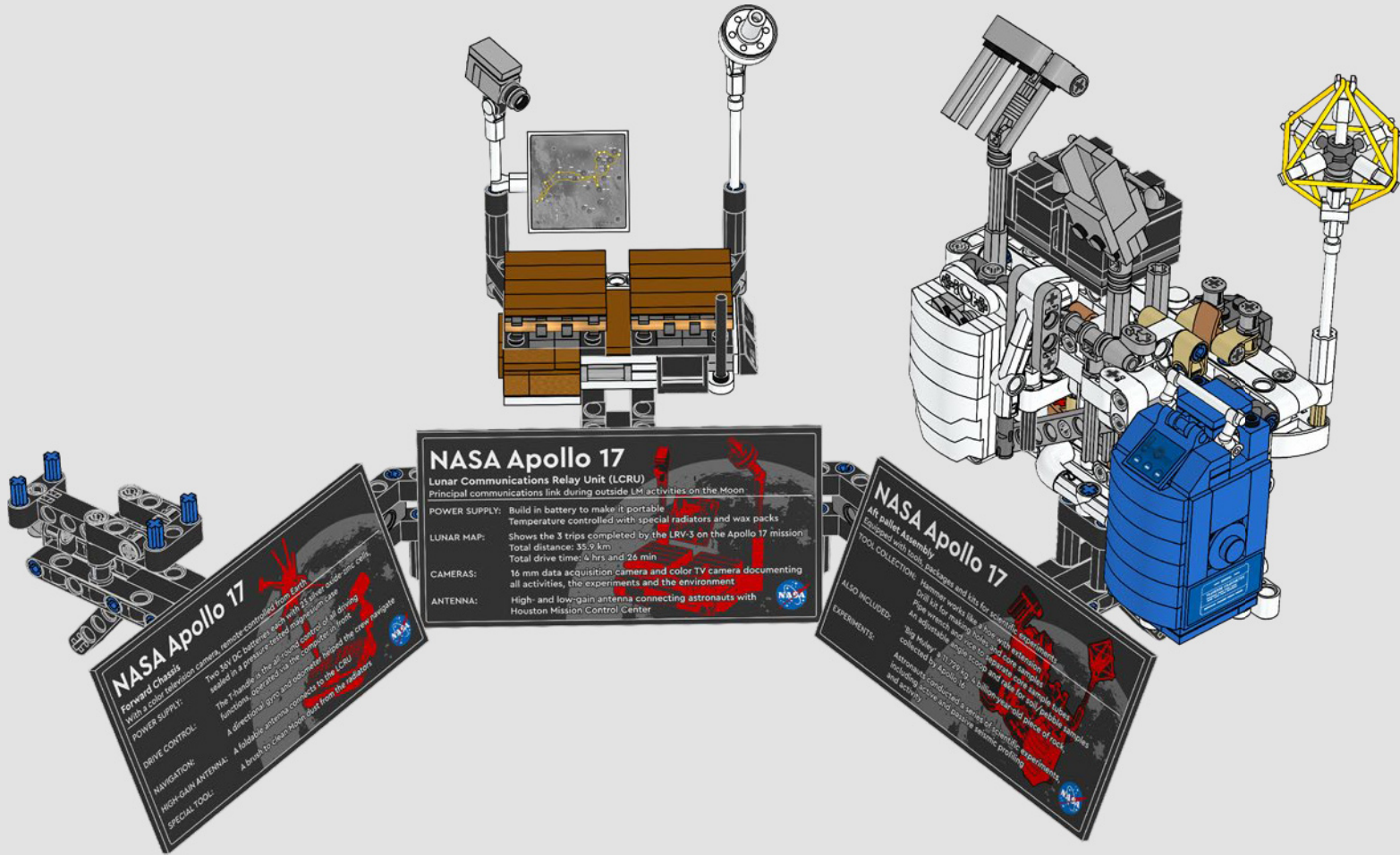


NASA Apollo 17
Forward Chassis
 With a color television camera, remote-controlled from Earth.
 Two 3V/DC batteries each with 35 silver-zinc cells, sealed in a pressure-resistant magnesium case.
 The Transponder in the airlock of control of driving functions, operated via the computer on Earth.
 A directional gyroscope and odometer helped the crew navigate.
 A foldable antenna connects to the LCRU.
 A hand-to-hand touch dist from the radiator.

NASA Apollo 17
Lunar Communications Relay Unit (LCRU)
 Principal communications link during outside LM activities on the Moon.
POWER SUPPLY: Build in battery to make it portable. Temperature controlled with special radiators and wax packs.
LUNAR MAP: Shows the 3 trips completed by the LRV-3 on the Apollo 17 mission. Total distance: 35.9 km. Total drive time: 4 hrs and 26 min.
CAMERAS: 16 mm data acquisition camera and color TV camera documenting all activities, the experiments and the environment.
ANTENNA: High- and low-gain antenna connecting astronauts with Houston Mission Control Center.

NASA Apollo 17
AR Dolerite Assembly
 Subsample with tools.
TOOL COLLECTION: Hammer, work file, a power drill, pipe wrench, screwdriver, and wire cutters. An adjustable wrench, a 1/2" x 1/2" x 1/2" nut, a 1/2" x 1/2" x 1/2" bolt, a 1/2" x 1/2" x 1/2" washer, and a 1/2" x 1/2" x 1/2" nut.
EXPERIMENTS: Astronauts conducted a series of scientific experiments including drive and distance seismic profiling, lunar soil samples, and a 4-billion-year-old piece of rock.



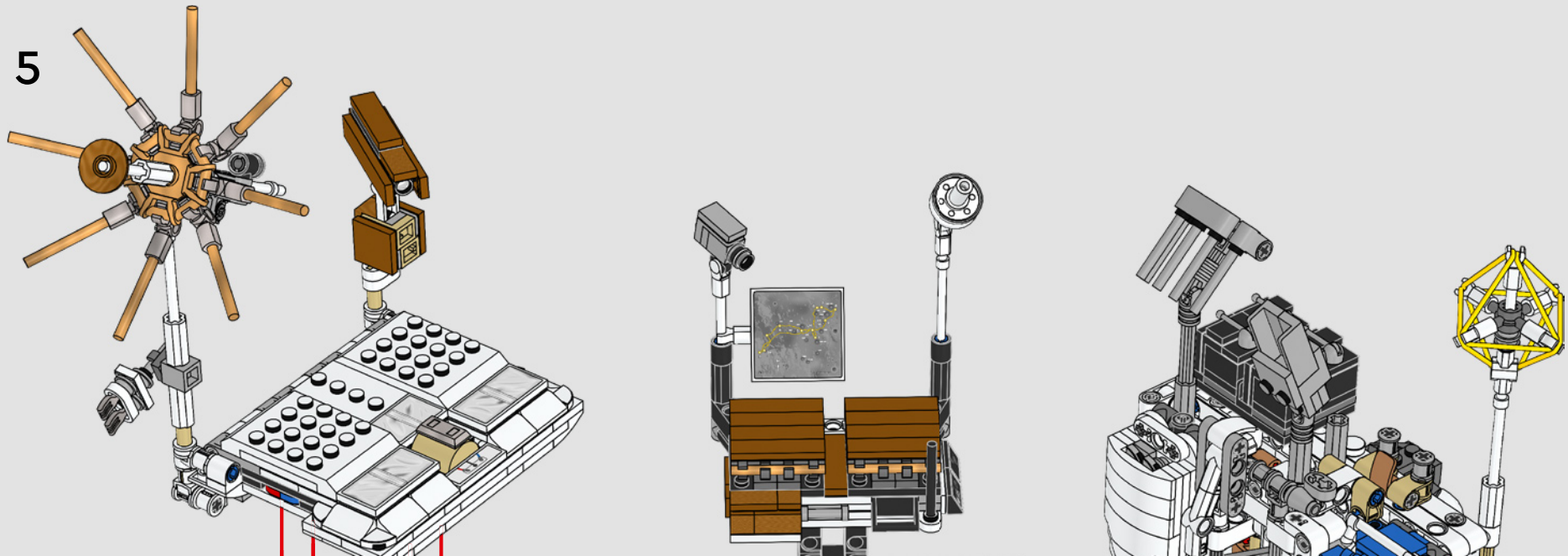


NASA Apollo 17
Forward Chassis
 Two 3V DC batteries (not with 25 other side unit) held in a pressure sealed magnesium case
POWER SUPPLY: The Phoenix in the self-vented metal of carrying functions, connected to the computer unit, and a diaphragm antenna connects to the LCRU
DRIVE CONTROL: A foldable antenna connects to the LCRU
NAVIGATION: A brush to clean Moon dust from the telescope
HIGH-GAIN ANTENNA:
SPECIAL TOOL:

NASA Apollo 17
Lunar Communications Relay Unit (LCRU)
 Principal communications link during outside LM activities on the Moon
POWER SUPPLY: Build in battery to make it portable. Temperature controlled with special radiators and wax packs
LUNAR MAP: Shows the 3 trips completed by the LRV-3 on the Apollo 17 mission. Total distance: 35.9 km. Total drive time: 4 hrs and 26 min
CAMERAS: 16 mm data acquisition camera and color TV camera documenting all activities, the experiments and the environment
ANTENNA: High- and low-gain antenna connecting astronauts with Houston Mission Control Center

NASA Apollo 17
Alt. pallet Assembly
 Equipped with tools, packages and kits for scientific experiments
TOOL COLLECTION: Hammer works like a hammer with extension; pin kit for making holes; and cone separator; pipe wrench and nut driver; and cone separator; An adjustable pipe cutter and ratchet for soil samples; astronaut's 11.70 kg (26 lb) 10-year-old piece of rock including a series of scientific experiments including a core and passive seismic logging
EXPERIMENT:

5



NASA Apollo 17

Forward Crosses
This 84V DC battery pack, with 21 three-cell one-cell, sealed in a weather-tight magnesium case, is the power source for all driving functions, controls and the computer on board.

POWER SUPPLY: A directional gyro and computer located the crew capsule from the relay.

NAVIGATION: A foldable antenna connects to the LCRU.

HIGH-GAIN ANTENNA: A boom to connect to the relay.

SPECIAL TOOL:

NASA Apollo 17

Lunar Communications Relay Unit (LCRU)
Principal communications link during outside LM activities on the Moon

POWER SUPPLY: Build in battery to make it portable. Temperature controlled with special radiators and wax packs.

LUNAR MAP: Shows the 3 trips completed by the LRV-3 on the Apollo 17 mission. Total distance: 35.9 km. Total drive time: 6 hrs and 26 min.

CAMERAS: 16 mm data acquisition camera and color TV camera documenting all activities, the experiments and the environment.

ANTENNA: High- and low-gain antennas connecting astronauts with Houston Mission Control Center.

NASA Apollo 17

4x pallet Assembly
Equip with tool, packages and kits for scientific experiments.

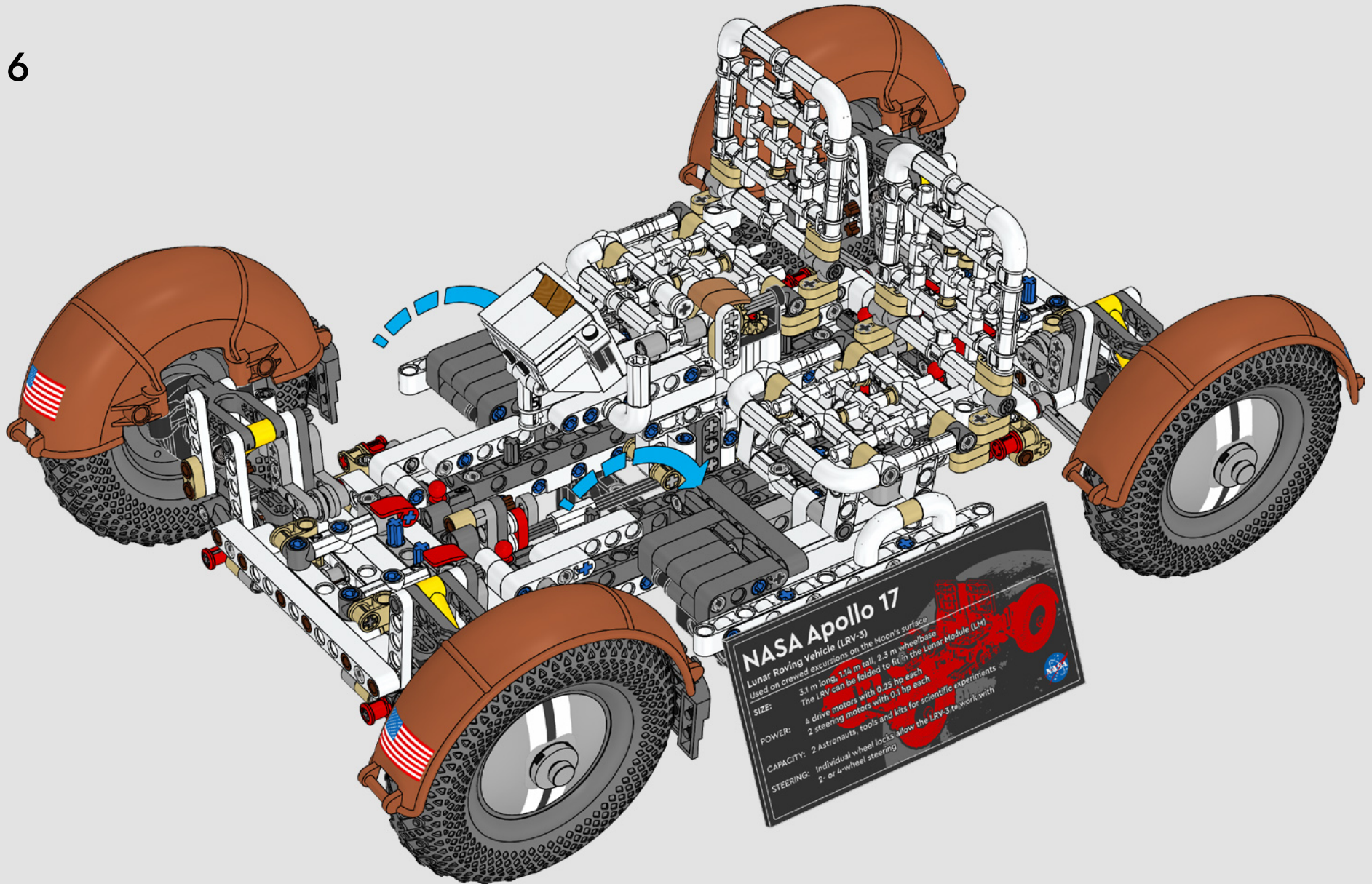
TOOL COLLECTION: Hammer, work file, utility knife with extension drill kit for making holes, and cone sockets. An adjustable angle socket and set for soil/puddle samples collected by Apollo 17.

ALSO INCLUDED: Big hole, 1/2" x 1/2" (1.27 cm) diameter hole and 1/2" x 1/2" (1.27 cm) diameter hole. A piece of rock and a piece of soil.

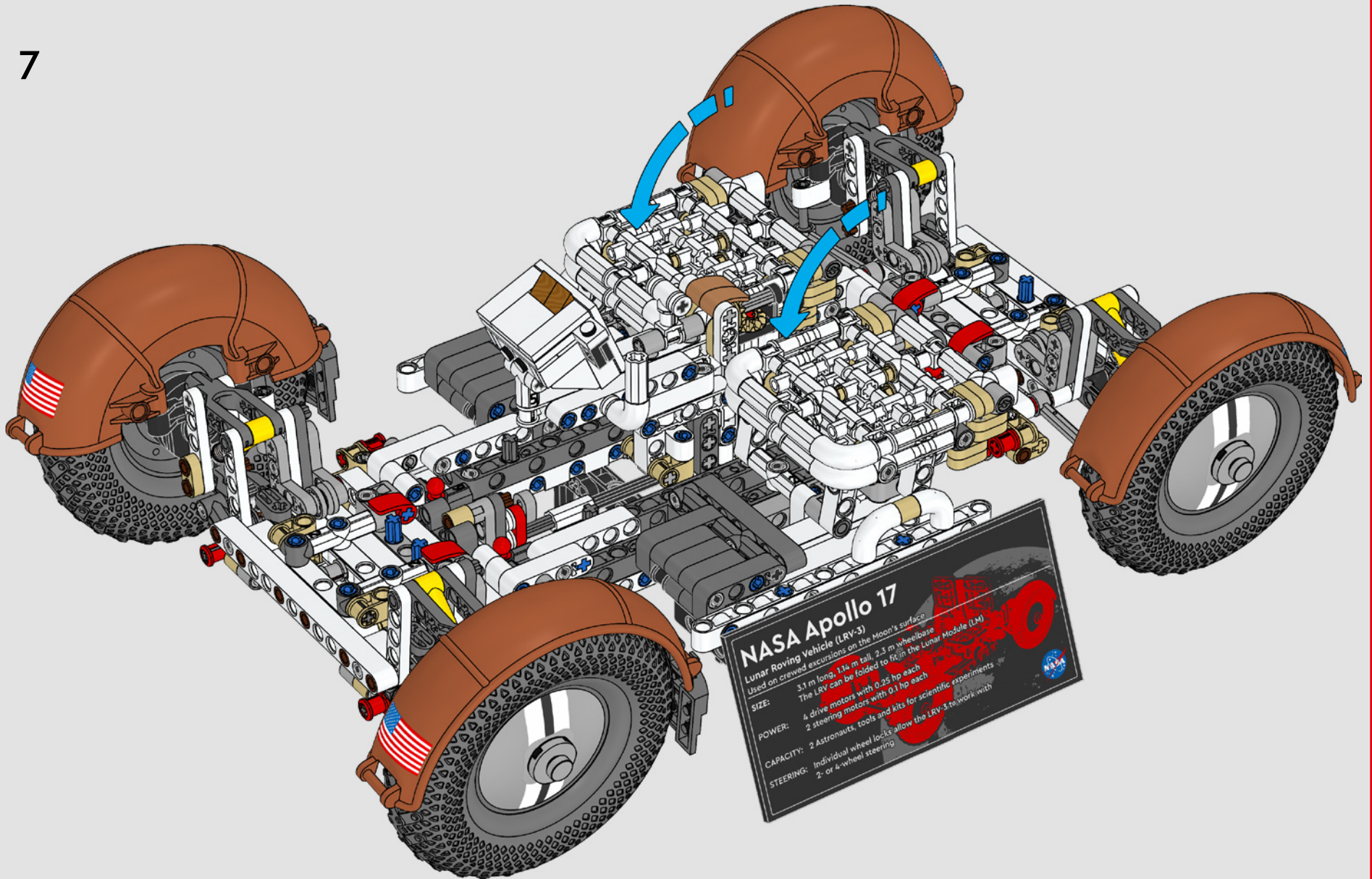
EXPERIMENTS: Astronauts conducted a series of scientific experiments including a picture and a pressure sensitive printing.



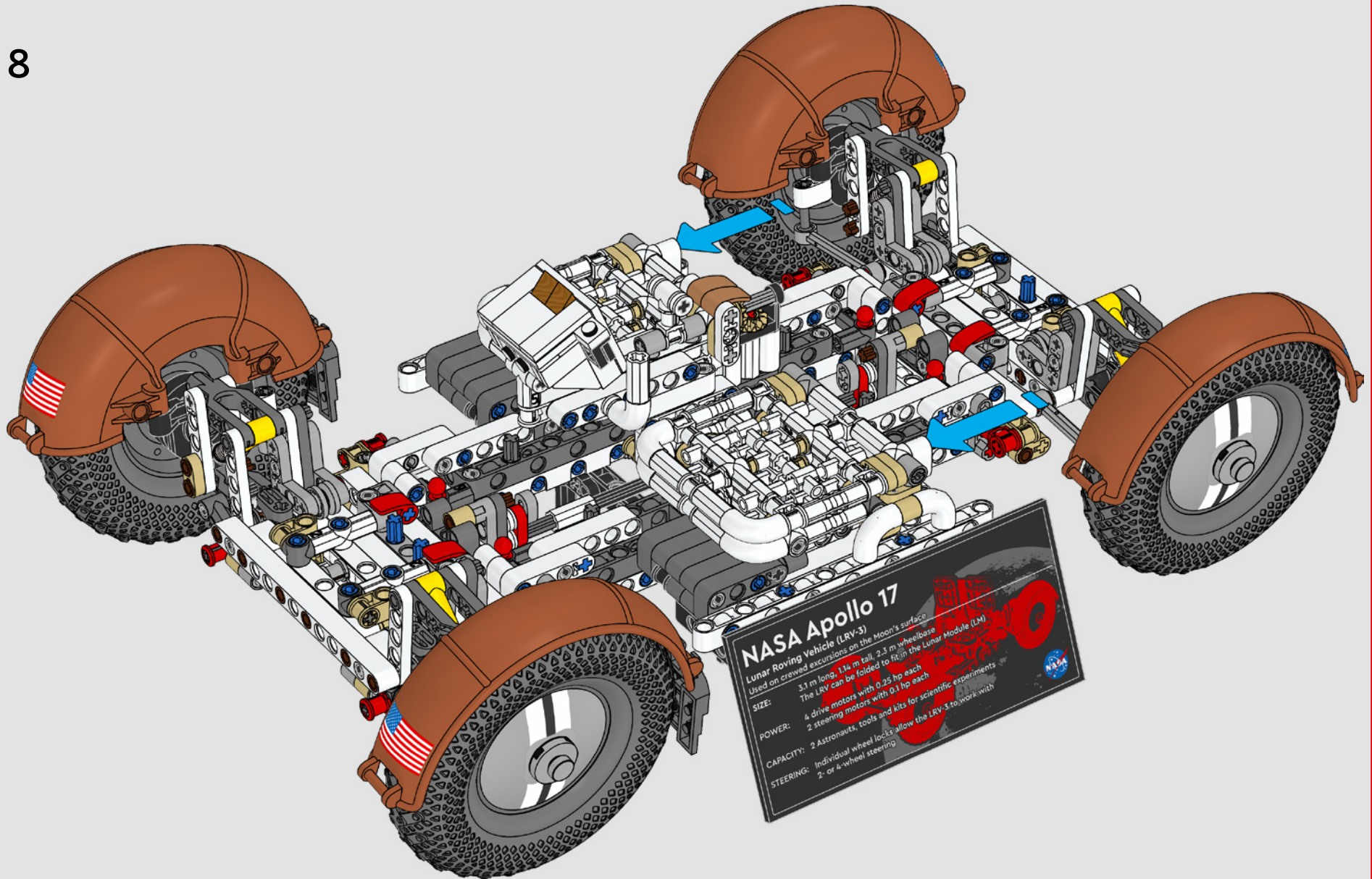
6

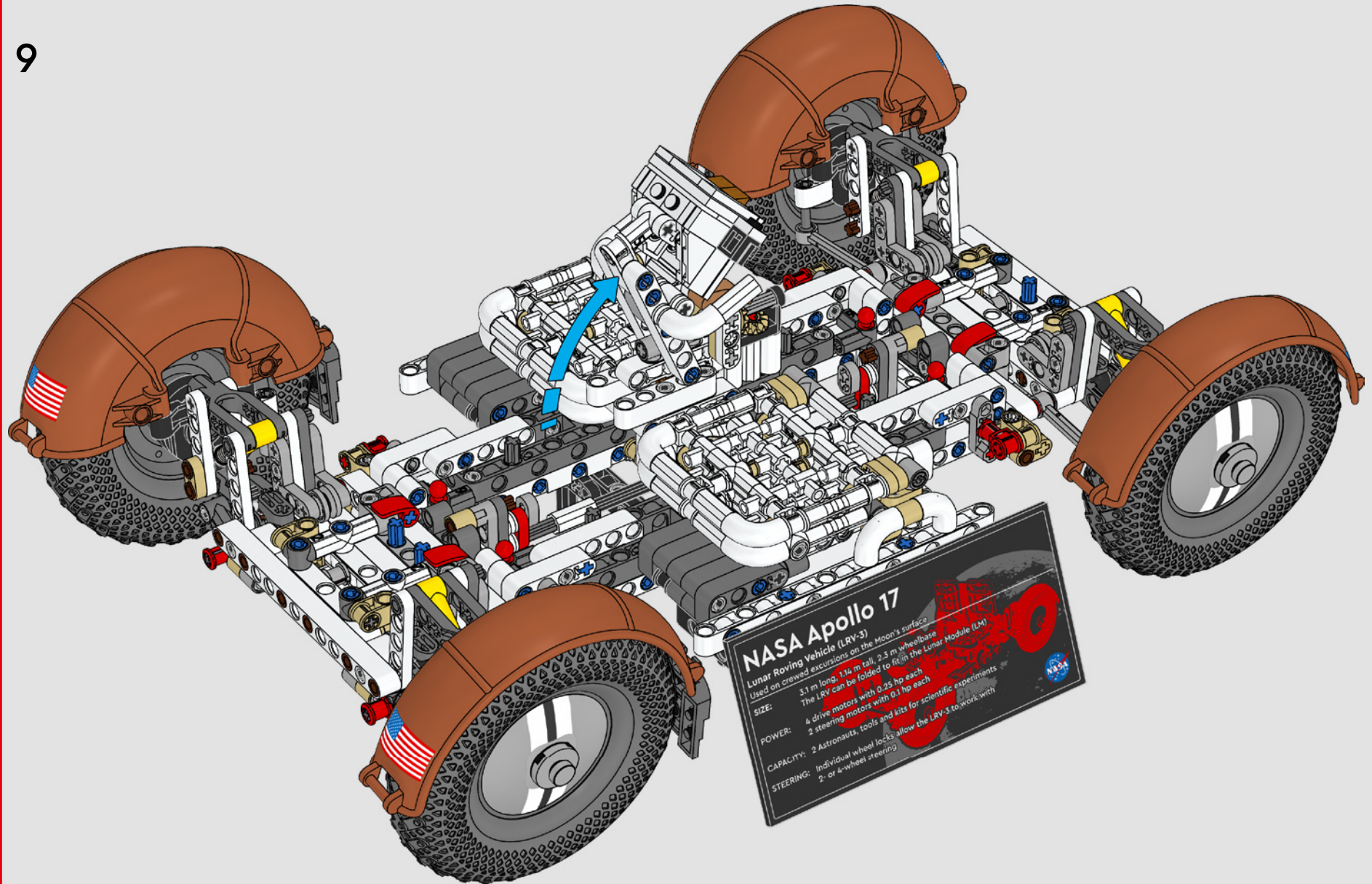


7

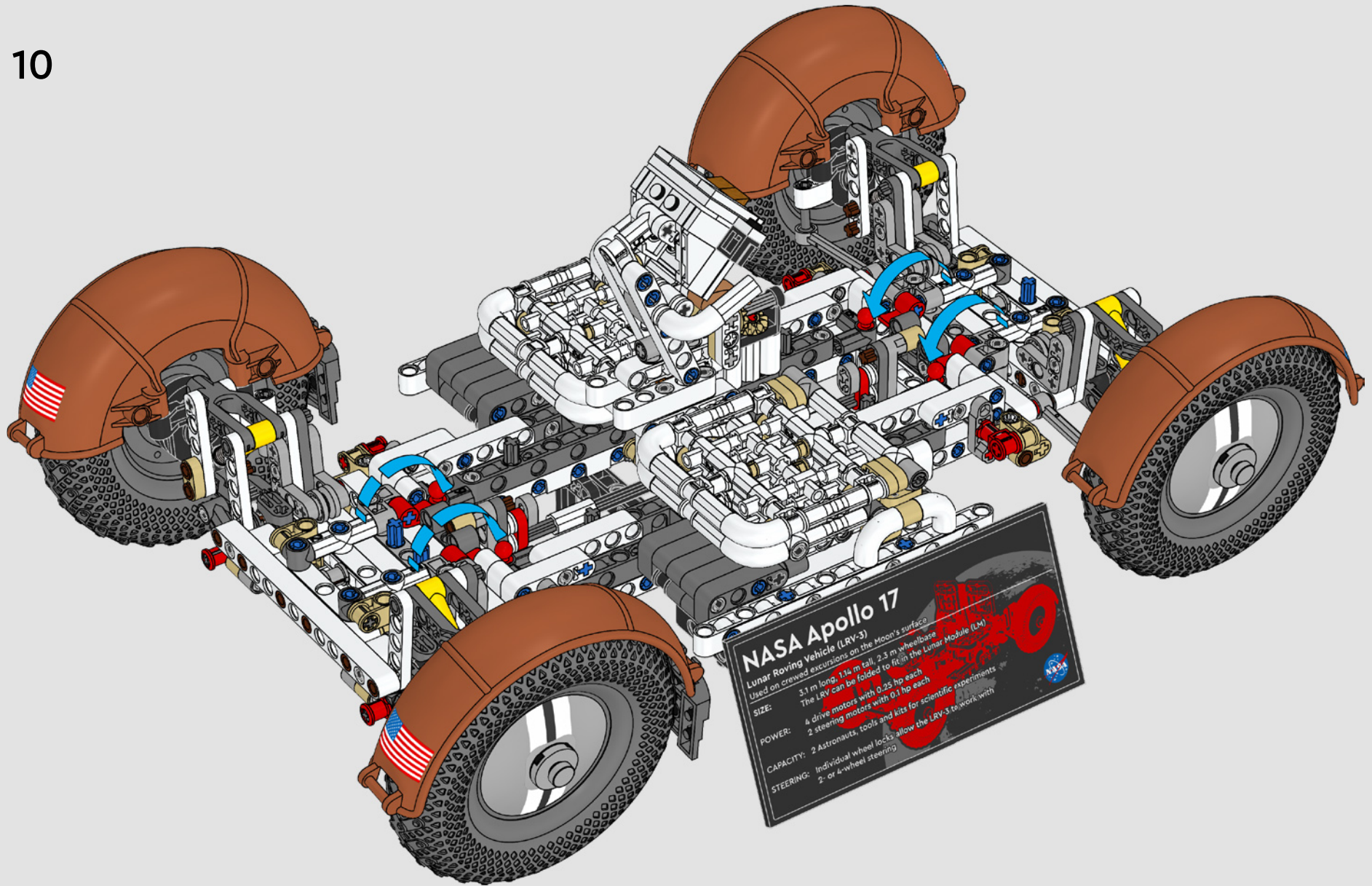


8

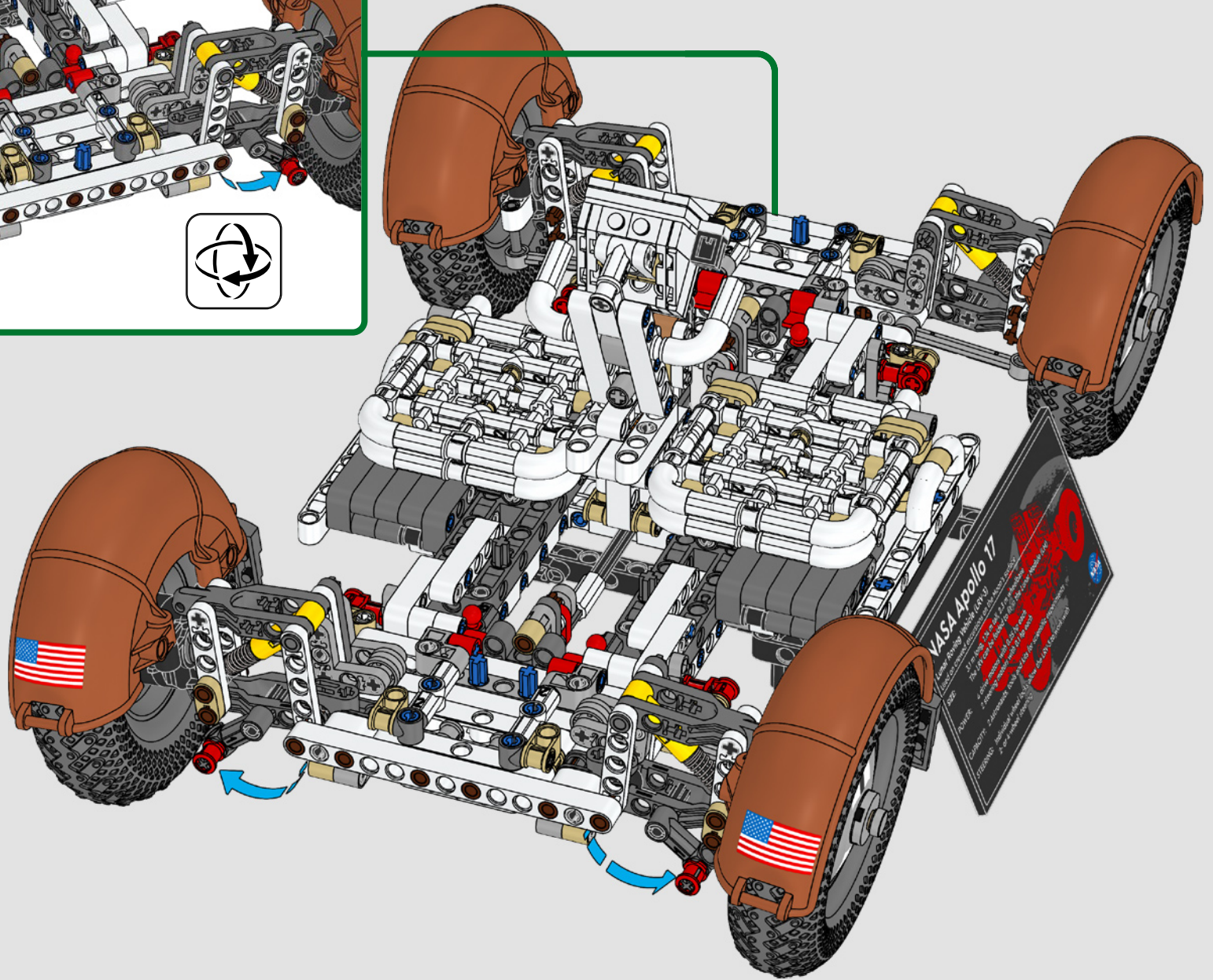
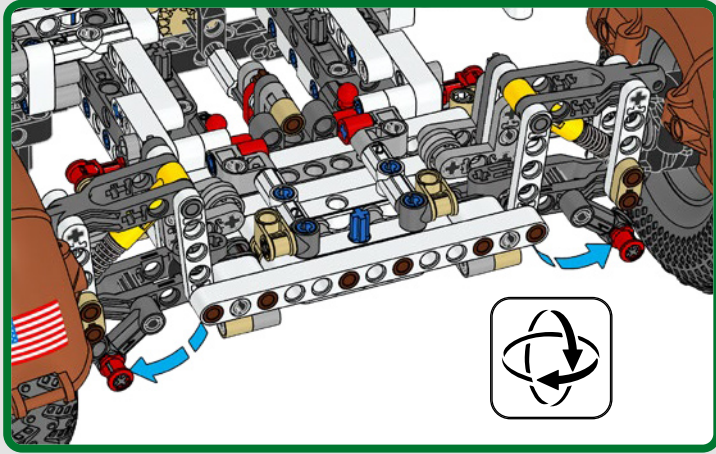




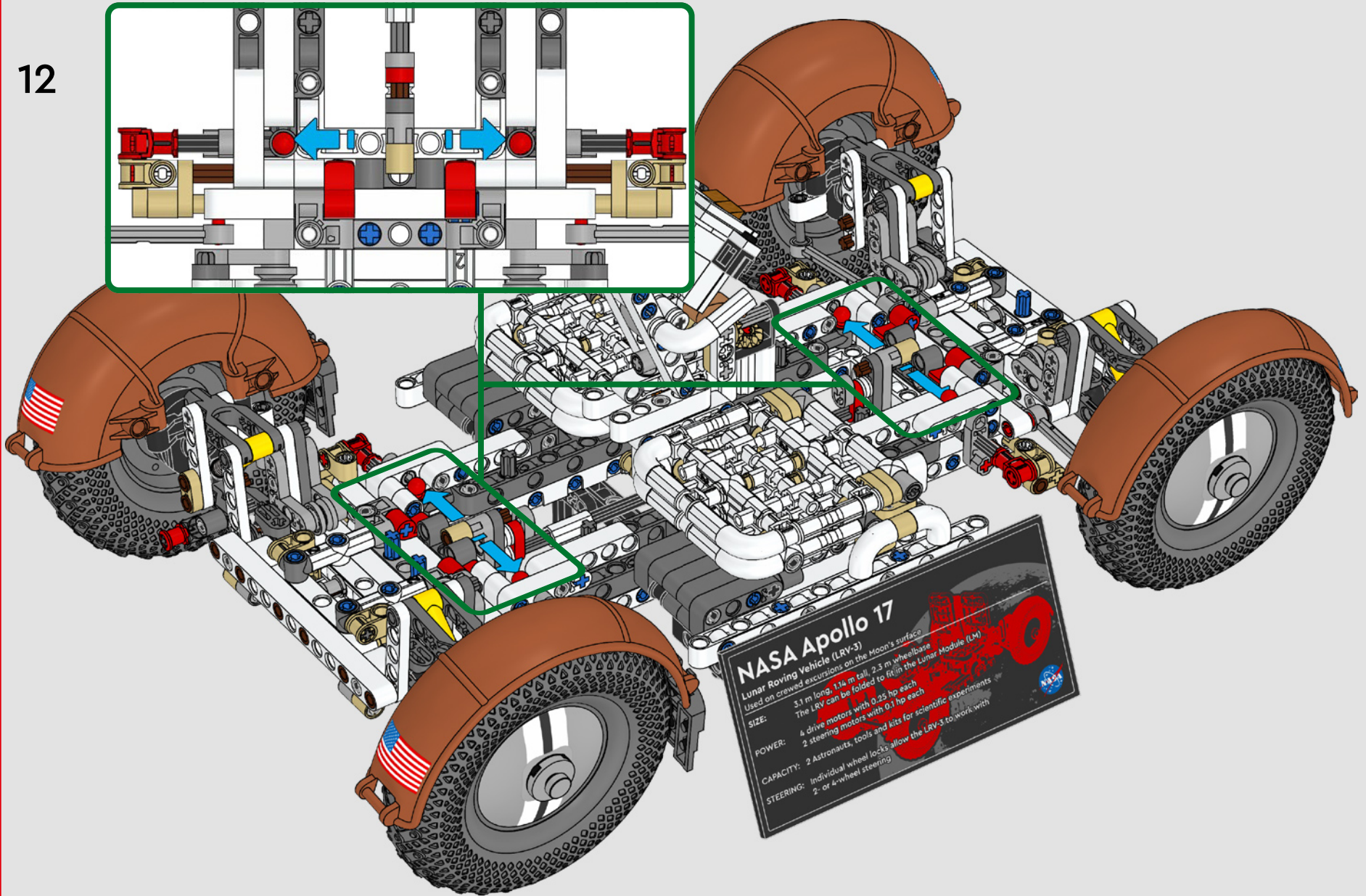
10

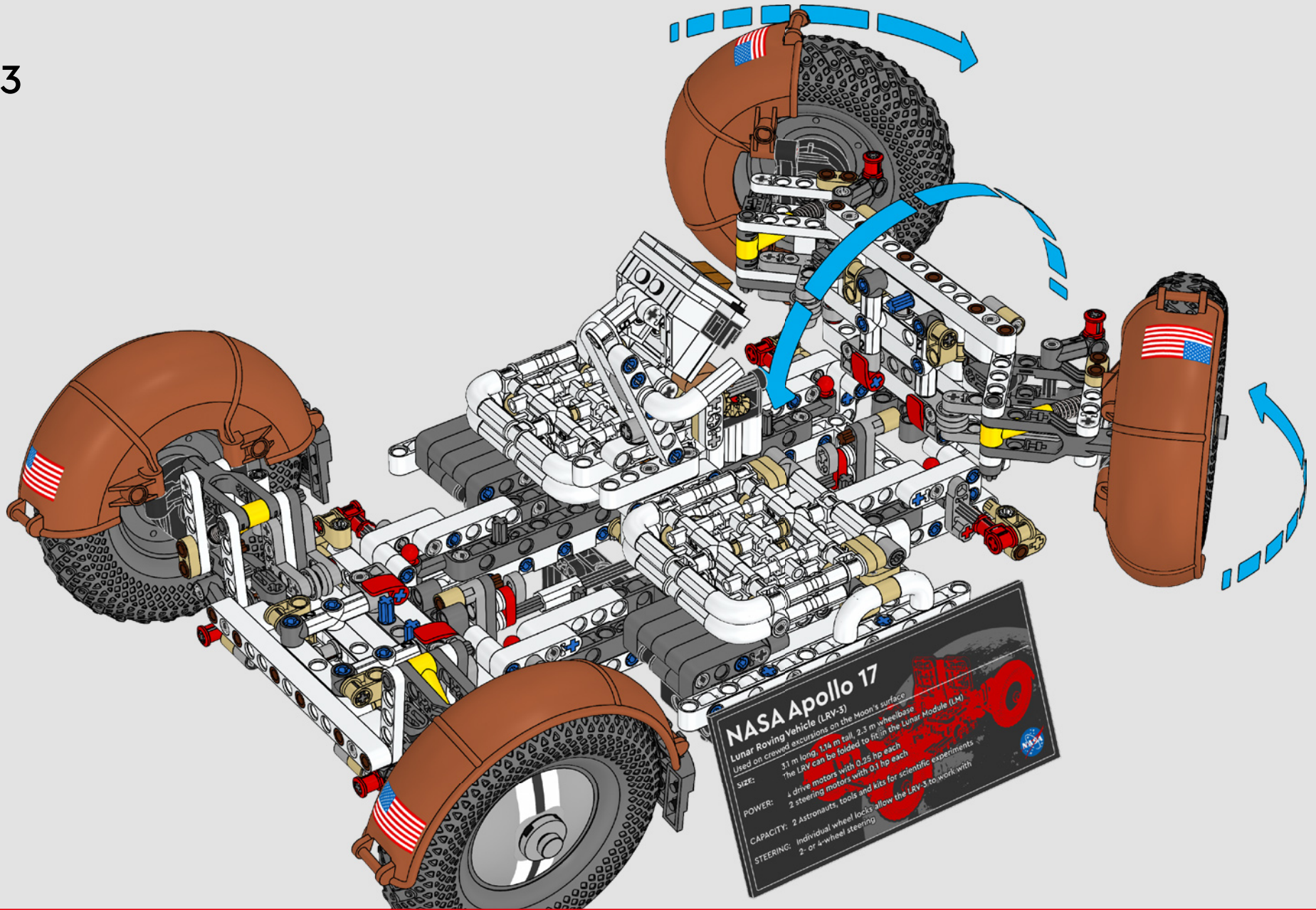


11



12





NASA Apollo 17

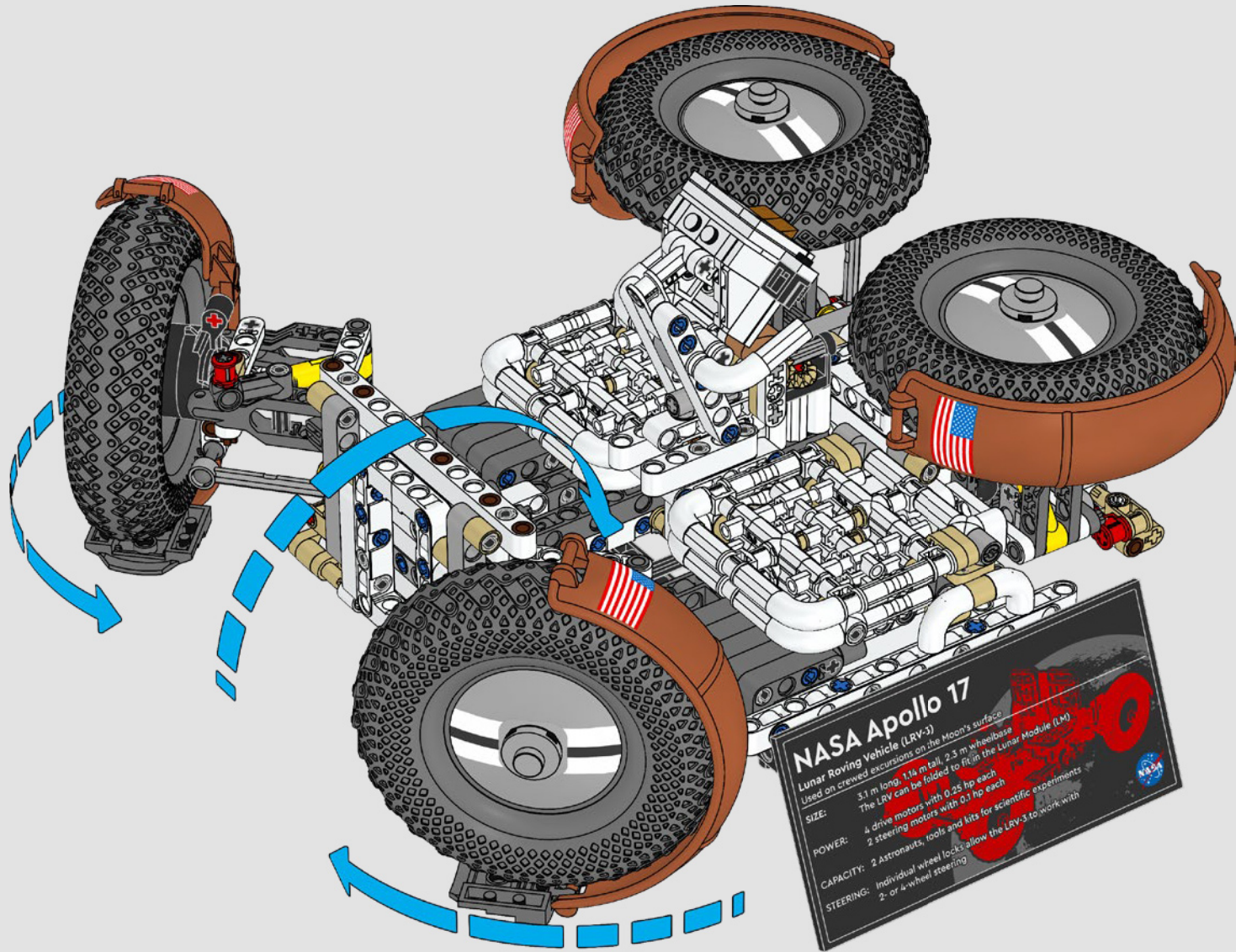
Lunar Roving Vehicle (LRV-3)
 Used on crewed excursions on the Moon's surface

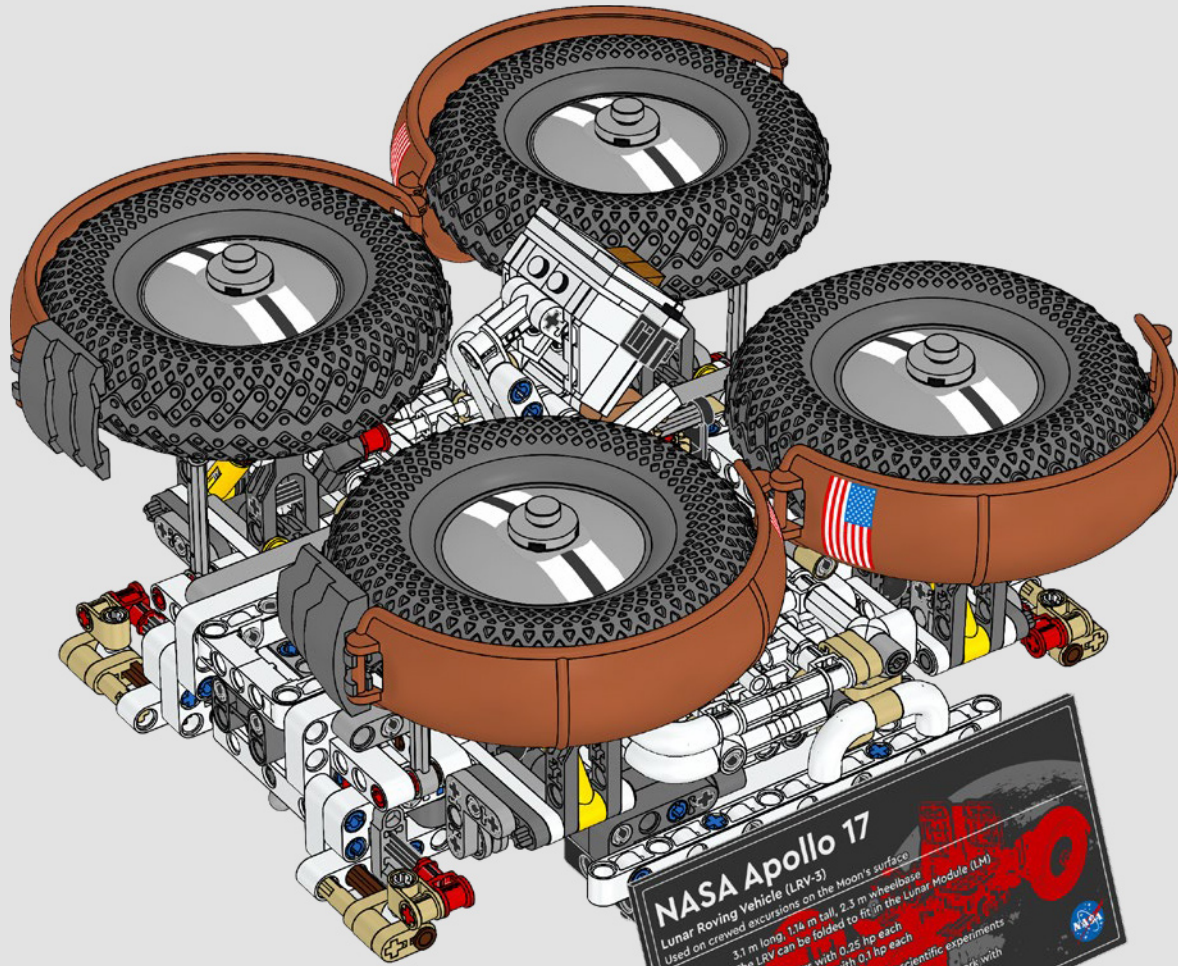
SIZE: 3.1 m long, 1.14 m tall, 2.3 m wheelbase
 The LRV can be folded to fit in the Lunar Module (LM)

POWER: 4 drive motors with 0.25 hp each
 2 steering motors with 0.1 hp each

CAPACITY: 2 Astronauts, tools and kits for scientific experiments

STEERING: Individual wheel locks allow the LRV-3 to work with 2- or 4-wheel steering





NASA Apollo 17

Lunar Roving Vehicle (LRV-3)
Used on crewed excursions on the Moon's surface

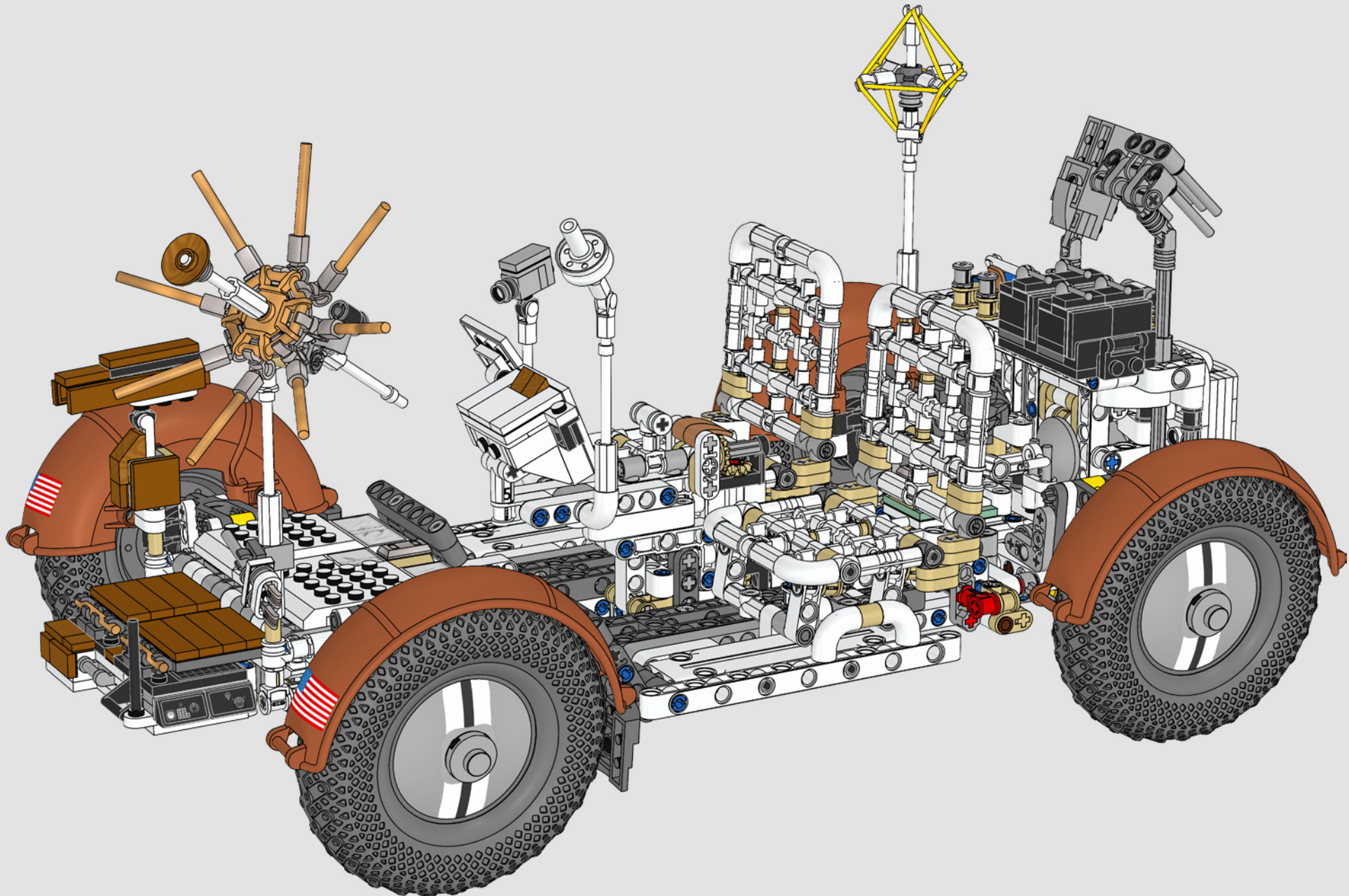
SIZE: 3.1 m long, 1.14 m tall, 2.3 m wheelbase
The LRV can be folded to fit in the Lunar Module (LM)

POWER: 4 drive motors with 0.25 hp each
2 steering motors with 0.1 hp each

CAPACITY: 2 Astronauts, tools and kits for scientific experiments

STEERING: Individual wheel locks allow the LRV-3 to work with
2- or 4-wheel steering





1x 6234807
7x 6341465
2x 6322489
19x 6360263
7x 6284572
2x 6186681
4x 6172366
2x 6383985
6x 407001
2x 6296132
1x 6508268
3x 4111971
2x 6357680
1x 6434569
5x 6371416
1x 6210272
2x 6457115

6x 4547489
18x 6194851
9x 6282148
29x 6310183
3x 6179606
18x 6265135
2x 6345327
23x 6375684
2x 6292916
24x 6212049
1x 6346389
2x 6173116
2x 306901
9x 6057414
6x 302301
2x 6326680

4x 6172927
1x 6051511
1x 300401
1x 6013484
2x 6271349
2x 6217875
2x 6450820
9x 6360038
36x 6428803
16x 6330960
7x 6257450
1x 300301
1x 306801
1x 6061024
8x 242001
1x 6047220

4x 6210385
1x 6289797
1x 4515364
3x 6261390
8x 6276052
5x 6402262
4x 6402213
17x 6271870
3x 4208160
4x 362301
7x 4558168
2x 245001
5x 6223491
2x 6089696
1x 6158058

2x 6168618
4x 6116602
3x 302101
1x 6156667
8x 6271824
3x 6023806
1x 6249091
5x 6104805
16x 6360069
2x 302001
5x 4560178
6x 6440438
14x 4585040
2x 4249021

7x 6439225
7x 6350399
1x 6421592
2x 6132741
4x 6170419
4x 366601
3x 4243812
2x 6400128
7x 6471586
2x 4495927
2x 6184866
1x 4163986

4x 6001831
4x 6016156
2x 4503008
2x 6055627
10x 4620671
2x 6247435
5x 6432401
1x 379523
2x 303223

9
13
7
7
5
15

2x 6284575
9x 6268862
1x 4651236
4x 4206482
75x 4206482
2x 6194417
1x 6282145
8x 6390153
1x 6092582
2x 6228601
4x 6378789
1x 6365486
2x 4140586
1x 6336378
97x 6299413
3x 306823
1x 6252060
2x 4587840

- | | | | | | | | |
|----------------|-----------------|---------------|----------------|---------------|----------------|----------------|----------------|
| 2x
6292291 | 2x
4548180 | 1x
6116604 | 4x
6313520 | 1x
6020193 | 10x
6147169 | 5x
6264167 | 36x
6261379 |
| 6x
4649773 | 148x
6279875 | 8x
370526 | 1x
4225201 | 2x
243126 | 1x
6388645 | 3x
6078236 | 1x
6031962 |
| 4x
243123 | 46x
4109810 | 2x
6271825 | 2x
6273708 | 2x
617926 | 4x
6031821 | 1x
6404402 | 2x
6174929 |
| 1x
371023 | 1x
6282140 | 2x
6092570 | 2x
300326 | 4x
6378480 | 9x
6450558 | 4x
6265247 | 8x
4666999 |
| 1x
370123 | 2x
6265091 | 2x
6254045 | 4x
302226 | 3x
6435016 | 1x
4616578 | 2x
6347439 | 2x
6274738 |
| 2x
4560180 | 14x
4512363 | 1x
302326 | 4x
302226 | 7x
6279881 | 8x
6335230 | 2x
6189071 | 2x
6240030 |
| 1x
4243815 | 1x
302326 | 4x
6092585 | 4x
306826 | 1x
6029578 | 4x
6168644 | 10x
6332155 | 9x
4211399 |
| 4x
4286267 | 4x
306926 | 1x
6278412 | 4x
306826 | 1x
370826 | 8x
6439051 | 2x
6332144 | 7x
6336539 |
| 1x
6088550 | 4x
6092585 | 1x
6328175 | 18x
6089119 | 1x
6029578 | 2x
4544151 | 2x
6051507 | 1x
4558953 |
| 2x
6168646 | 1x
243226 | 4x
6439175 | 16x
6321745 | 1x
370826 | 1x
6130012 | 2x
6082975 | 3x
6362975 |
| 2x
6439039 | 1x
4618852 | 2x
366626 | 1x
6321745 | 2x
6265643 | 1x
6206248 | 15x
6167923 | 1x
6070564 |
| 10x
6121485 | 4x
6117973 | 1x
6390379 | 1x
4552347 | 2x
6265643 | 2x
6361354 | 3x
4565452 | 2x
6347715 |
| 1x
307026 | 2x
6271346 | 4x
6459445 | 1x
4552347 | 4x
6484420 | 8x
6338570 | 2x
6374151 | 2x
6347715 |
| 1x
6234695 | 1x
4560182 | 1x
6459445 | 3x
4142822 | 4x
6484420 | 2x
6208446 | 2x
6357613 | 4x
6267587 |
| 13x
6261371 | 4x
6408182 | 2x
6469830 | 1x
6362991 | 4x
6484420 | 2x
6191668 | 9x
6013938 | 13x
6168647 |

- 2x 4529241
- 2x 6250597
- 3x 6448793
- 3x 6275844
- 2x 4211415
- 2x 6176433
- 4x 4211758
- 2x 6443149
- 1x 6265704
- 2x 6348143
- 2x 6261375
- 9x 4211880
- 2x 6271539
- 5x 6179186
- 2x 6282142
- 9x 6123815
- 1x 6265089
- 5x 4512360
- 1x 6380605
- 3x 6173127
- 1x 6266251
- 4x 4211398
- 1x 6144138

- 1x 4211414
- 3x 4211609
- 1x 4667578
- 4x 6331859
- 1x 4244627
- 8x 6271815
- 1x 6093527
- 1x 6212077
- 2x 6132886
- 37x 4211815
- 4x 6321747
- 2x 4211536
- 4x 6276969
- 1x 6331441

3

- 6x 6438836
- 2x 6210581
- 2x 6370947
- 5x 6116608
- 1x 6347992
- 2x 6331574
- 1x 4211445
- 6x 4211639
- 4x 6452875
- 4x 6463327
- 3x 4211805
- 6x 4495930
- 5x 4611705

5

7

7

11

- 9x 6258973
- 4x 6271820
- 27x 6378120
- 2x 6345637
- 8x 6360104
- 4x 6378122
- 2x 6371442
- 26x 4142865
- 4x 403221
- 4x 6344178
- 20x 6209519
- 1x 6130002
- 18x 6135494
- 12x 6159763
- 1x 6347790
- 1x 6240515

6

3

5

- 4x 6360824
- 12x 6327561
- 11x 6083620
- 2x 6350292
- 6x 6168609
- 6x 6296856
- 1x 6012451
- 8x 6395635
- 5x 6344022
- 4x 6365695
- 19x 6005331
- 4x 6282144
- 4x 6268923
- 6x 4211063
- 2x 6314192

4

7

- 2x 6301368
- 4x 4508553
- 8x 6278260
- 2x 6310189
- 4x 6271830
- 3x 4495931
- 2x 6316692
- 1x 4211055
- 10x 6015356
- 8x 6258991
- 2x 6271876
- 6x 4210751
- 2x 6475314

5,5

- 2x 6307616
- 4x 6483729
- 4x 6452865
- 3x 6396963
- 2x 6396964
- 2x 6396922
- 2x 6463326
- 2x 6504968

15



LEGO.com/service



YOU COULD WIN



YOU COULD WIN

Your feedback will help shape the future development of this product series.

Visit:

DU KÖNNTEST GEWINNEN

Dein Feedback trägt zur Weiterentwicklung dieser Produktreihe bei.

Geh auf:

VOUS POURRIEZ GAGNER

Vos commentaires nous aideront à concevoir les futurs produits de cette gamme.

Visitez :

POTRESTI VINCERE TU

La tua opinione ci aiuterà a migliorare la creazione futura di questa linea di prodotti.

Visita:

PUEDES GANAR

Tu opinión contribuirá al futuro de esta serie de productos.

Visita:

轻松获奖

您的反馈将有助于我们在今后改进本产品系列。

请访问:

[LEGO.com/productfeedback](https://www.lego.com/productfeedback)

You also have the chance to win a LEGO® set.

Terms and conditions apply.*

Außerdem hast du die Chance, ein LEGO® Set zu gewinnen.

Es gelten die Teilnahmebedingungen.*

Vous pourriez également gagner un ensemble LEGO®.

Des conditions s'appliquent.*

Hai anche la possibilità di vincere un set LEGO®.

Termini e condizioni sono applicabili.*

También tienes la oportunidad de ganar un set LEGO®.

Aplican términos y condiciones.*

您还有机会赢取乐高®套装。

条款和条件适用。*

*[LEGO.com/productfeedback-terms](https://www.lego.com/productfeedback-terms)



LEGO and the LEGO logo are trademarks of the LEGO Group. ©2024 The LEGO Group.

NASA Insignia and identifiers provided and used with permission of NASA.