



42182





LEGO.com/sustainable-packaging



FR
**DONNEZ
OU
RECYCLEZ**



ASSOCIATION

OU



MAGASIN

OU



DÉCHÈTERIE

Adresses sur quefairedemesdechets.fr



BUILDER



Apple and the Apple logo are trademarks of Apple Inc., registered in the U.S. and other countries and regions. App Store is a service mark of Apple Inc. Google Play and the Google Play logo are trademarks of Google LLC. Tencent and the Tencent logo are trademarks of Tencent Inc.

LEGO.com/devicecheck

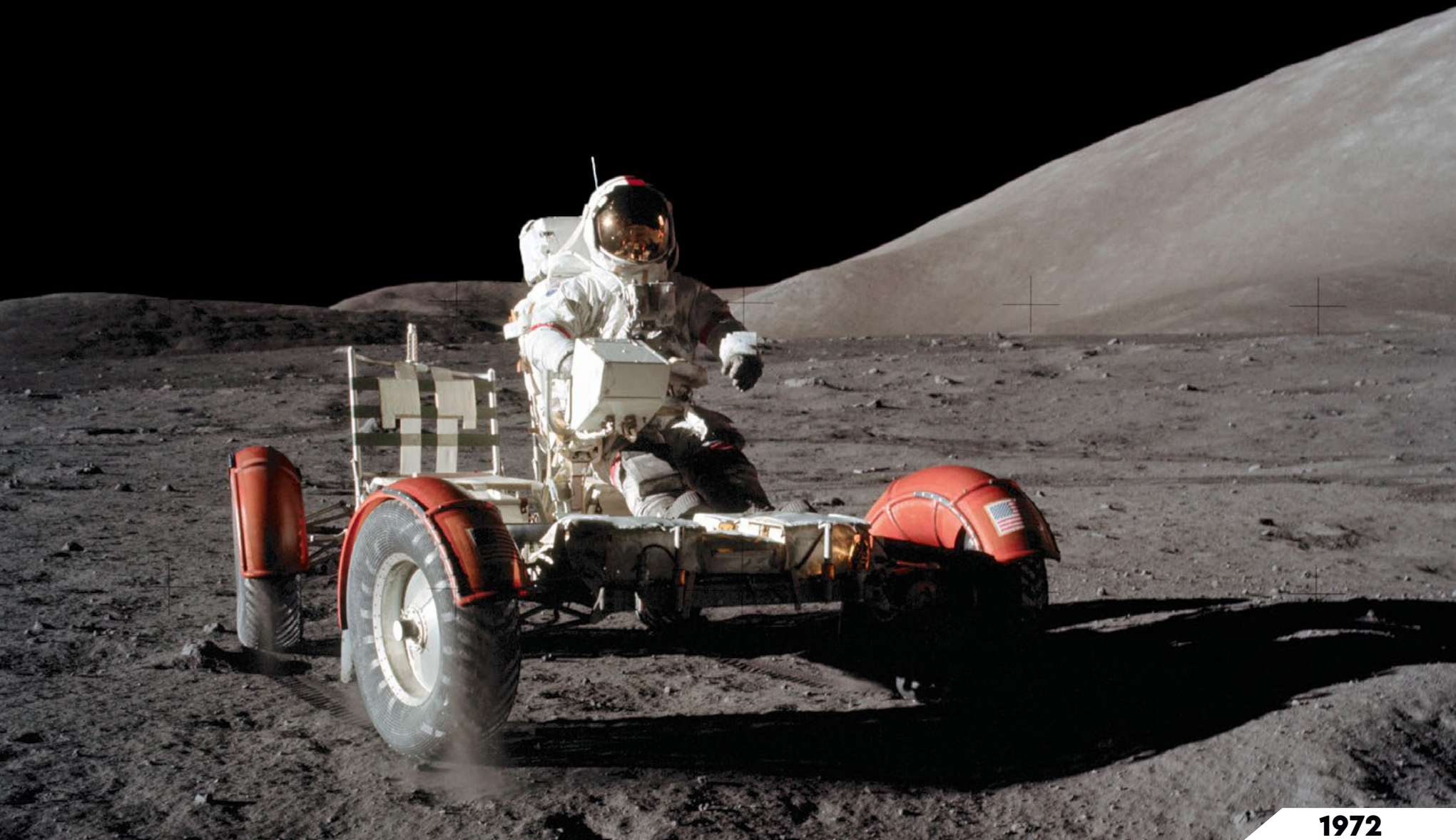


LEGO® Builder

DIRECTION LA LUNE

Depuis que les premiers hommes ont posé le pied sur la Lune en 1969, nous avons développé des connaissances sur l'univers qu'il aurait été difficile d'imaginer avant. Les premières explorations de la Lune, lancées par les missions Apollo de la NASA (1961-1972), ont ouvert la voie à des technologies innovantes et à des missions extraordinaires de plus en plus loin dans notre système solaire. Ce modèle LEGO® Technic s'inspire du véhicule d'exploration lunaire de la mission Apollo 17, le rover LRV-3. Véritable exploit en matière d'ingénierie et d'exploration spatiale, le rover a joué un rôle central dans la dernière mission Apollo de la NASA en repoussant les limites de l'exploration lunaire.

VÉHICULE D'EXPLORATION LUNAIRE NASA APOLLO - LRV



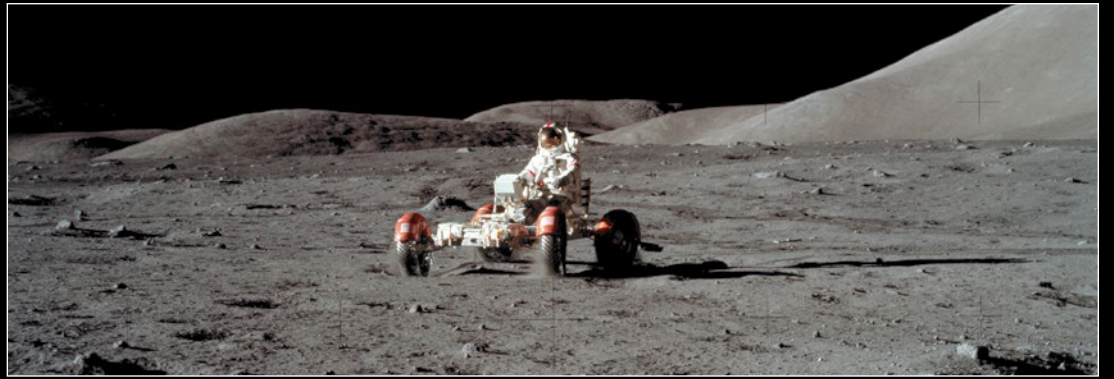
1972

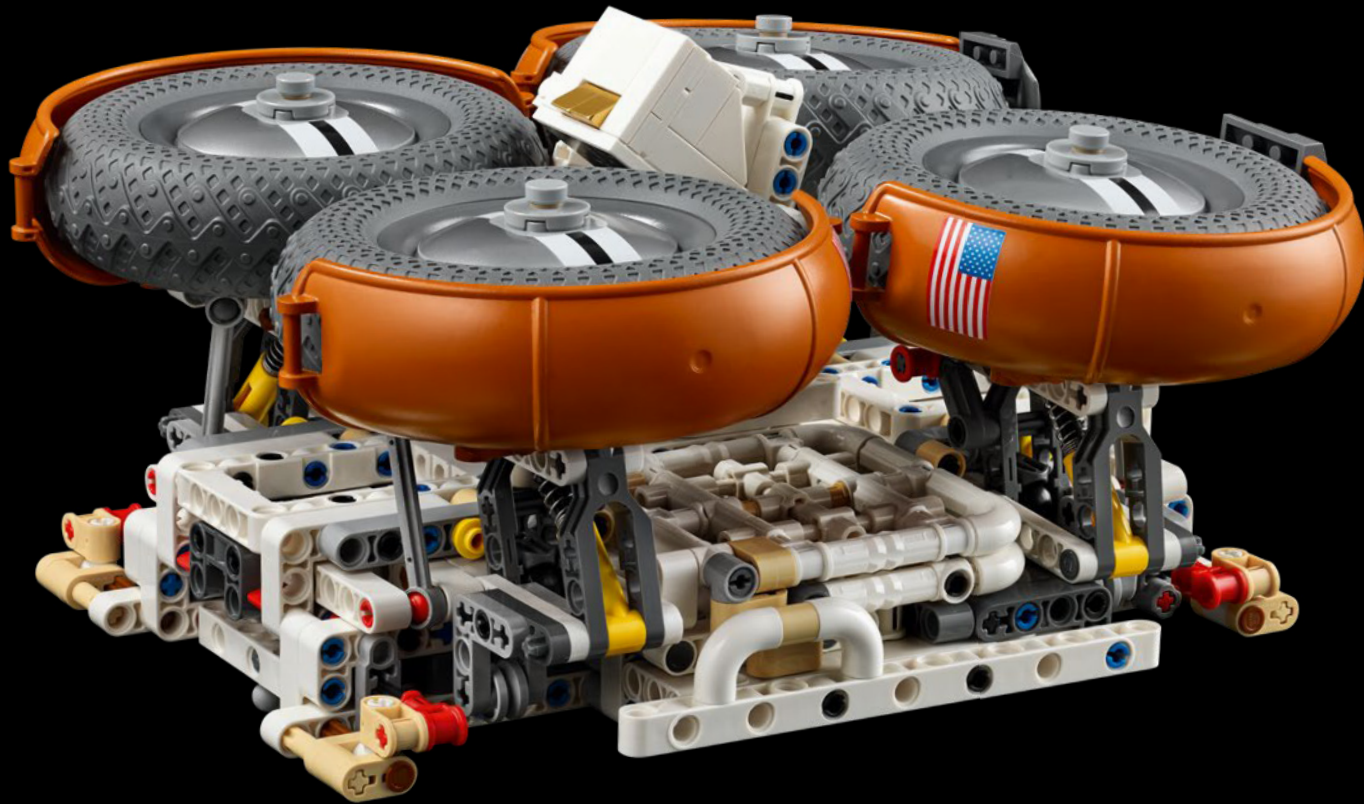
EXPLOREZ VOTRE LRV-3

Les astronautes ont effectué plusieurs expéditions à bord du LRV-3 afin de prélever des échantillons de roche et de sol et capturer des images à couper le souffle de notre plus proche voisin céleste. Explorez une myriade d'équipements, d'outils et de détails complexes au fil de la construction.

*Olav Krøigaard,
Designer, LEGO® Technic*







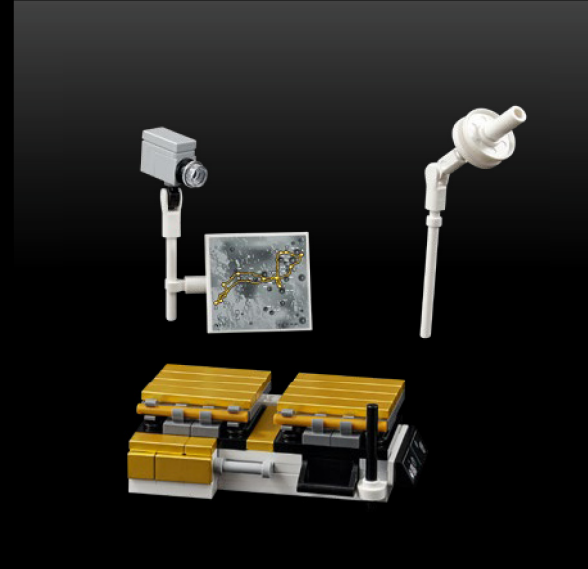
DÉTAILS EXPOSÉS

À l'instar du modèle original, votre rover LRV-3 LEGO® peut être replié afin d'être placé à l'intérieur d'un véritable module lunaire pour être transporté vers la Lune. Le modèle final peut être exposé seul ou de manière séparée.



CHÂSSIS AVANT

La boussole ne fonctionnant qu'avec les champs magnétiques de la Terre, les astronautes utilisaient un gyroscope directionnel et un odomètre pour se repérer à la surface de la Lune. La poussière lunaire s'infiltrait partout, il était donc essentiel d'avoir une brosse de nettoyage (bien qu'il ne s'agisse pas d'un outil scientifique typique) pour que les radiateurs, les caméras de télévision et la surface du rover restent propres.



LCRU (LUNAR COMMUNICATIONS RELAY UNIT)

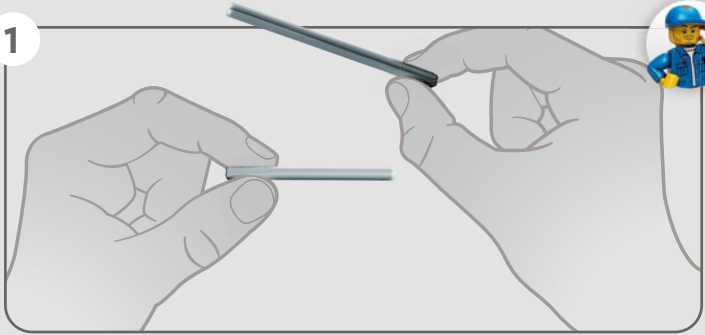
Le LCRU (relais de communication lunaire) était le principal moyen de communication dont disposaient les astronautes lors de leurs activités extravéhiculaires sur la Lune. Les antennes à grand gain et à petit gain reliaient les astronautes au centre de contrôle de la mission de Houston.



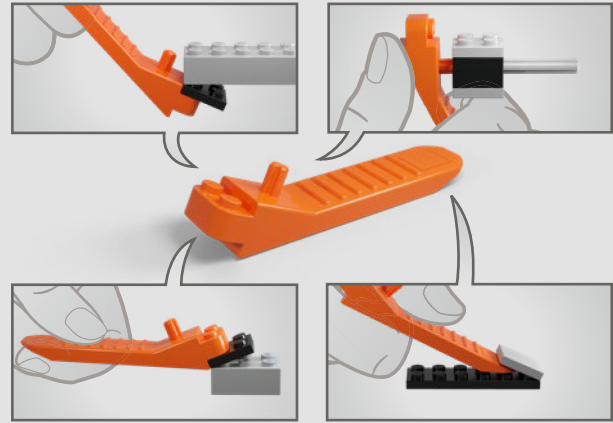
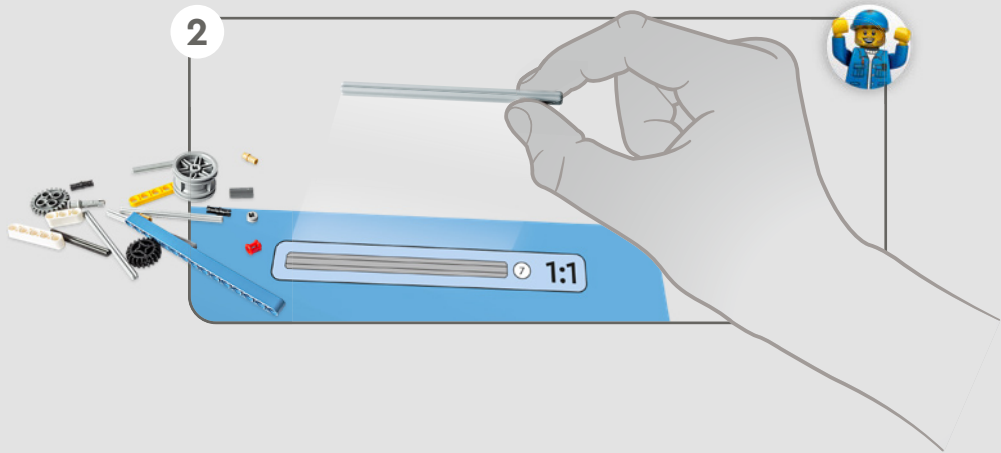
ASSEMBLAGE DE PALETTES ARRIÈRE

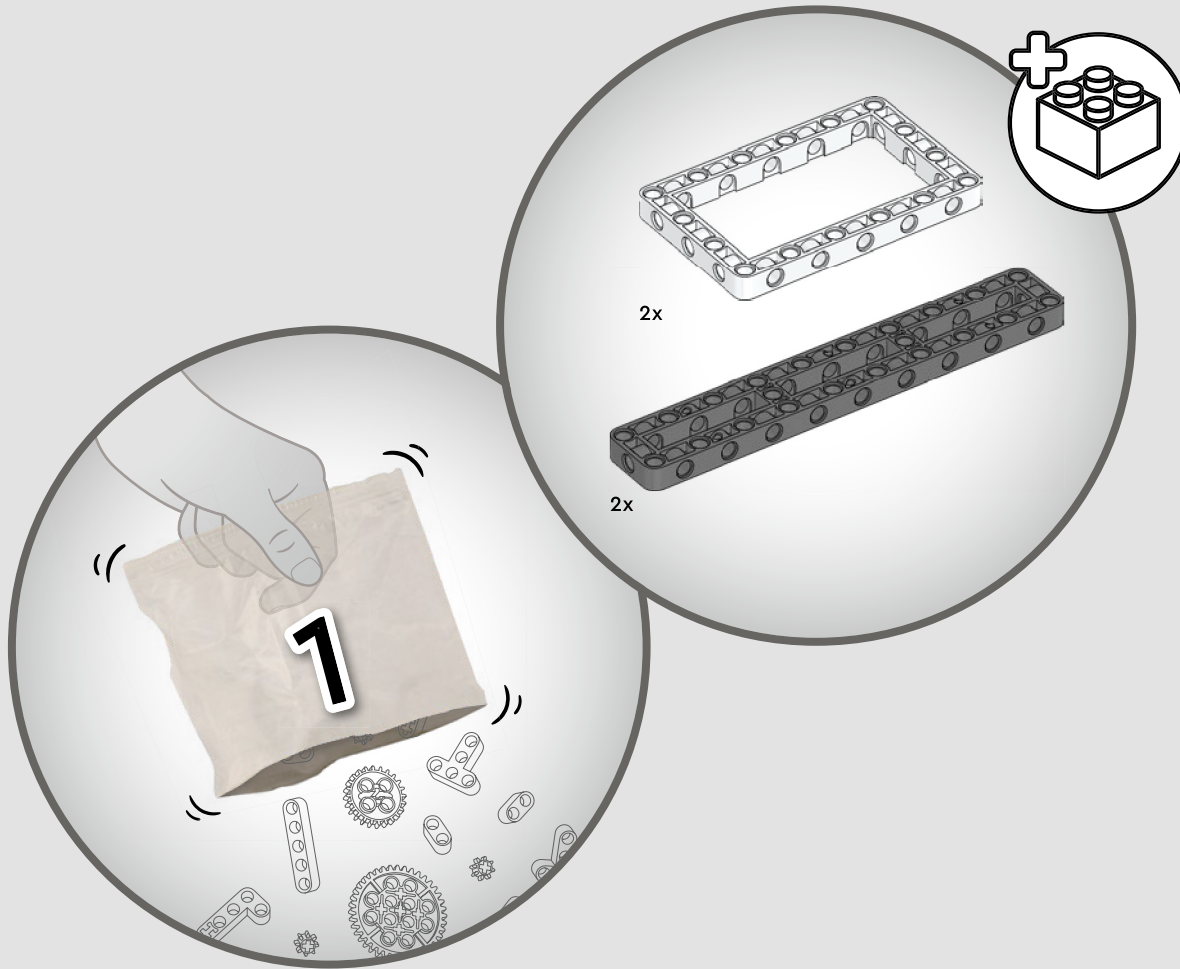
Les astronautes ont réalisé une série d'expériences scientifiques, comprenant notamment la mesure de l'activité sismique active et passive et le profilage, tout en utilisant et en stockant des outils et échantillons sur les palettes arrière. La « roche » LEGO® à l'arrière représente « Big Muley », un fragment de roche vieux de quatre milliards d'années prélevé par Apollo 16.

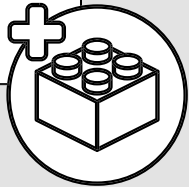
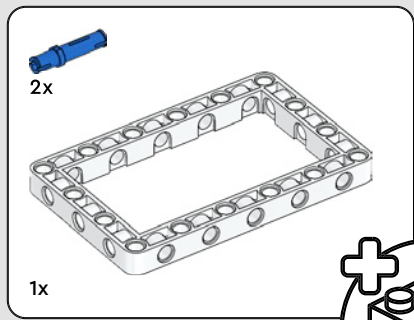
1



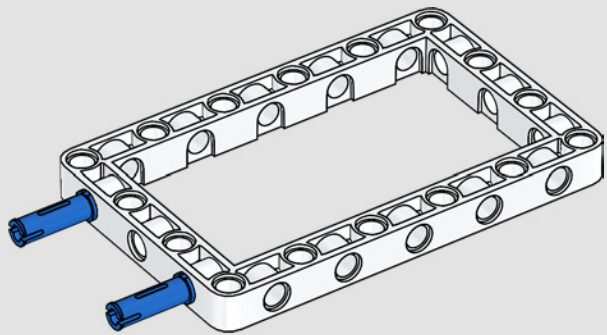
2



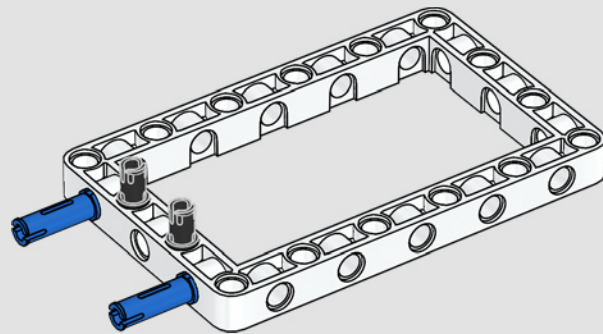


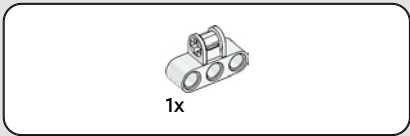


1

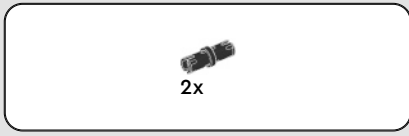
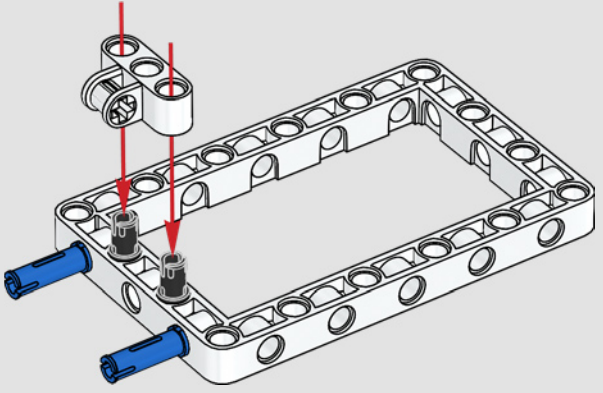


2

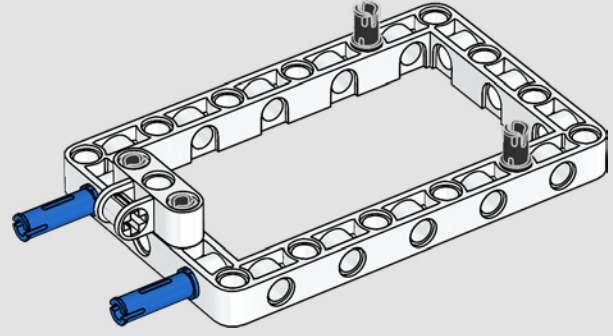


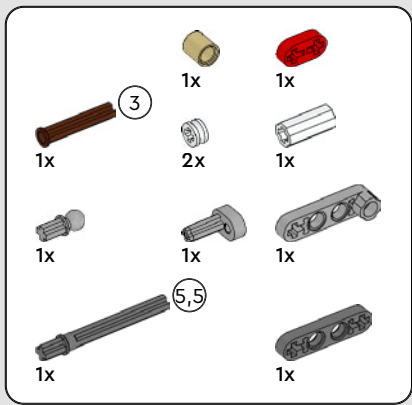


3

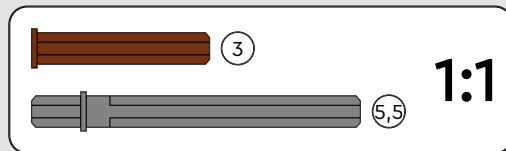
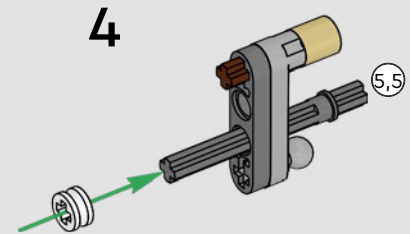
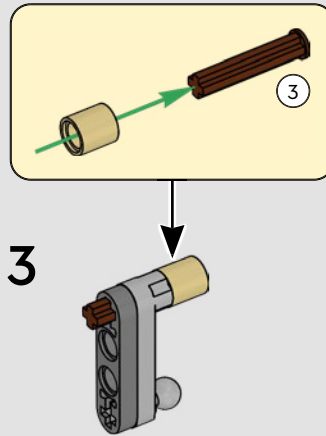
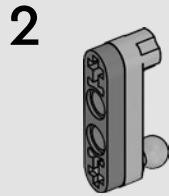
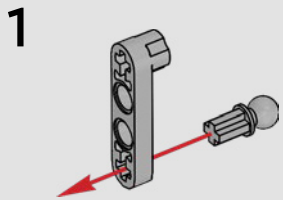


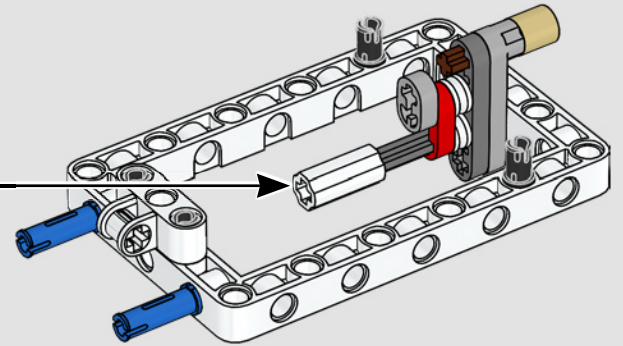
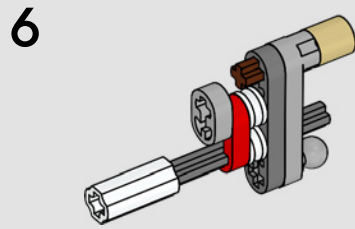
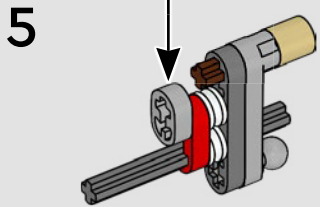
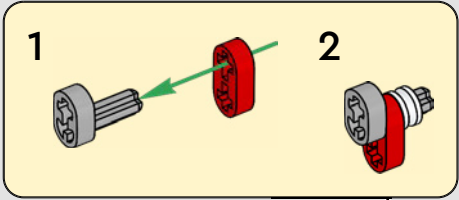
4

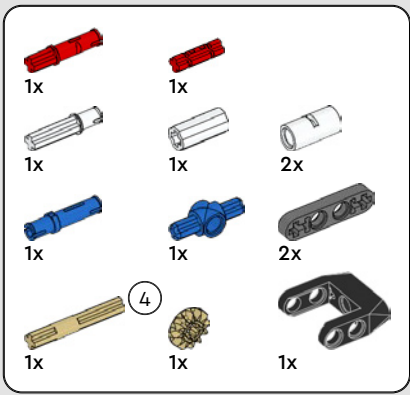




5

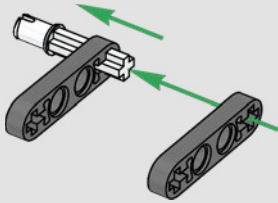




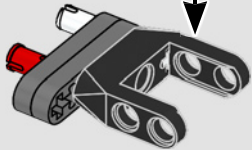
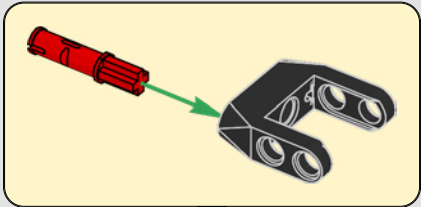


6

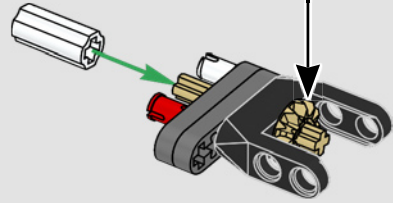
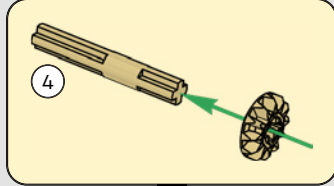
1



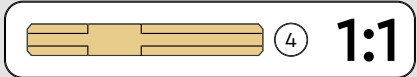
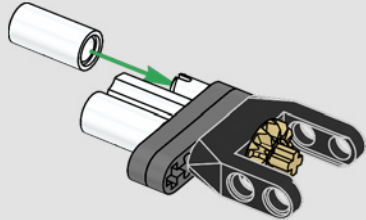
2



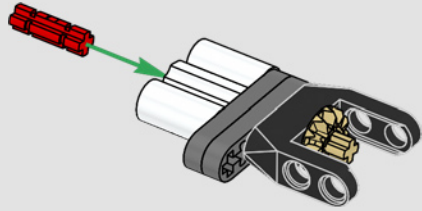
3



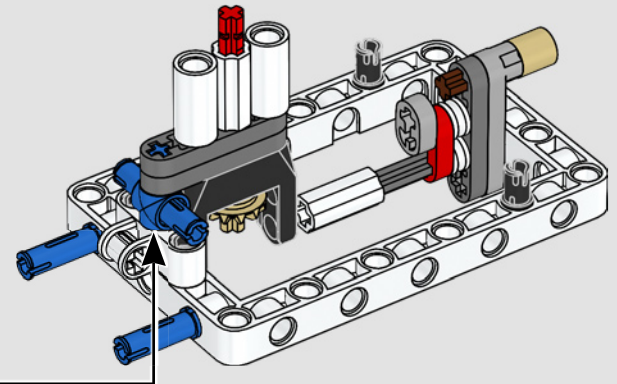
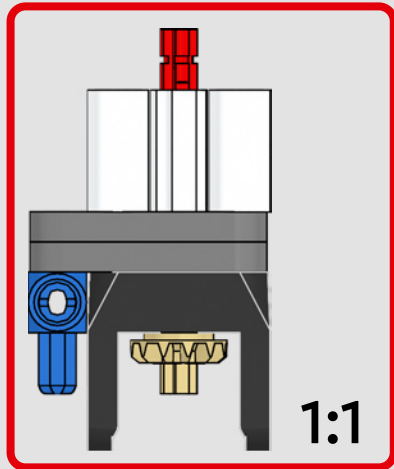
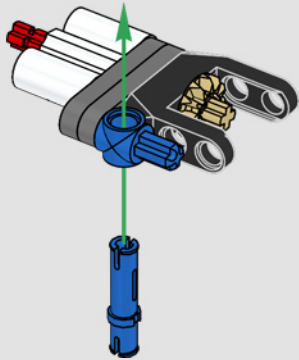
4

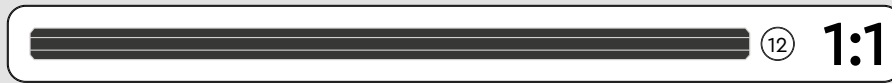
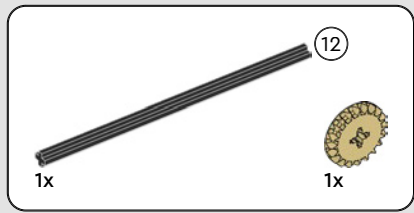


5

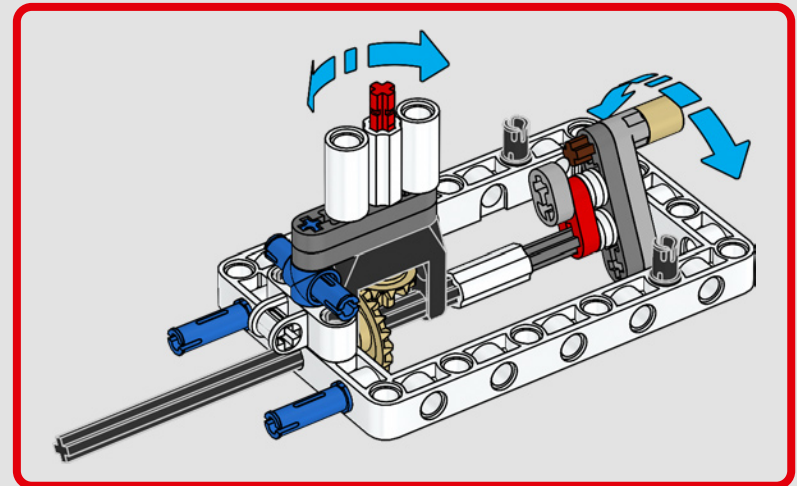
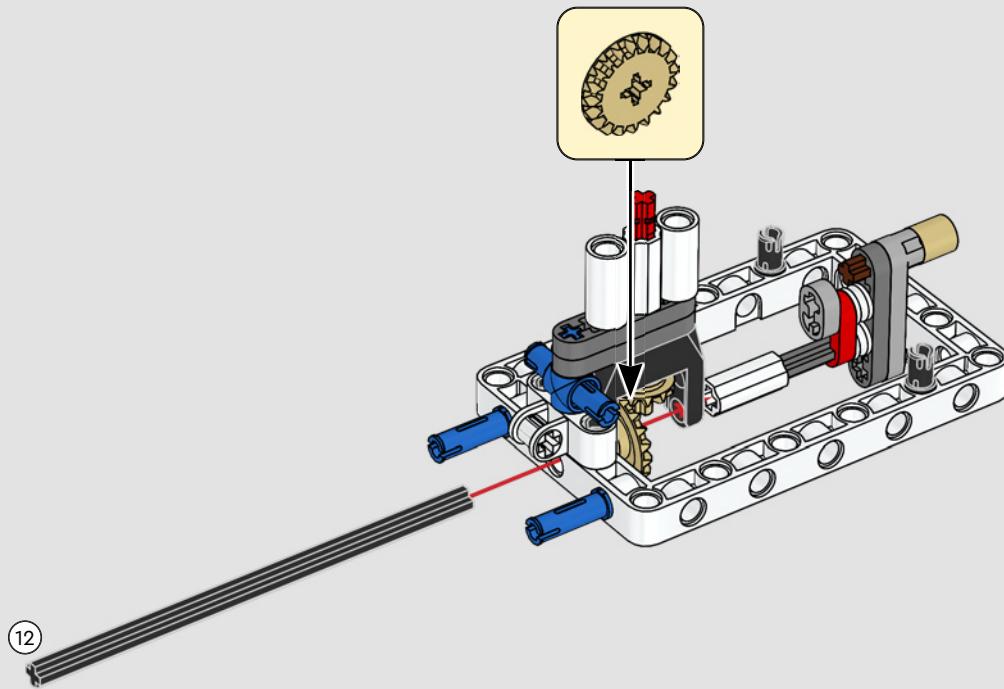


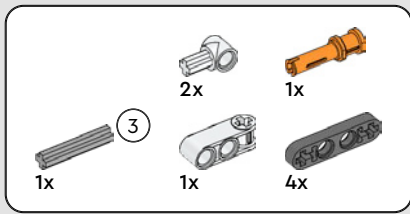
6



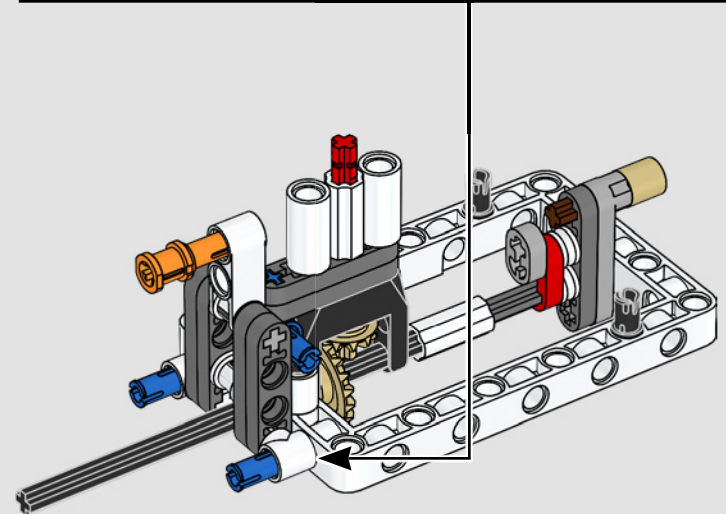
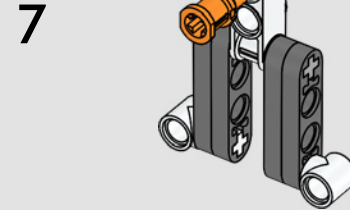
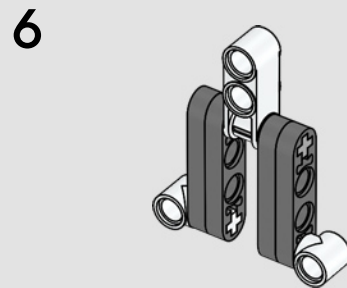
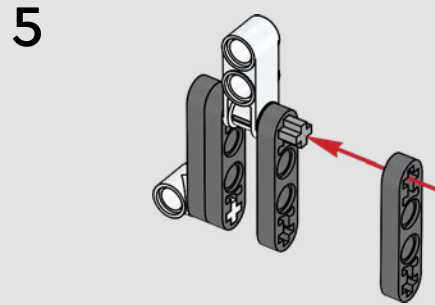
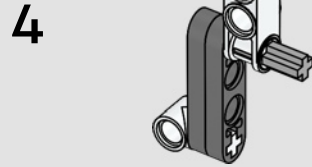
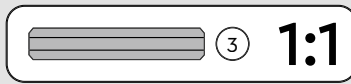
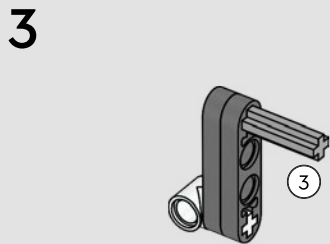
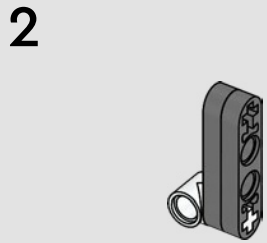
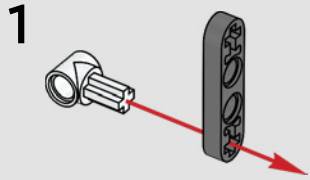


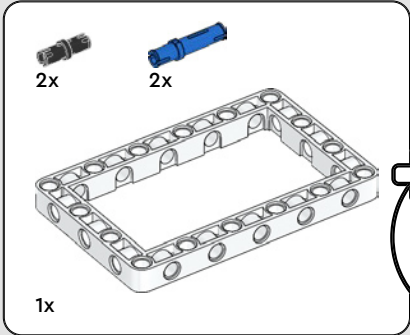
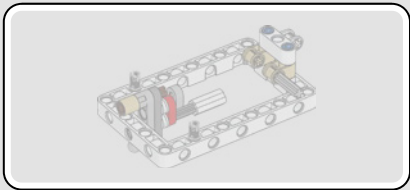
7



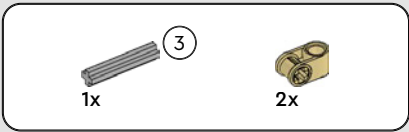
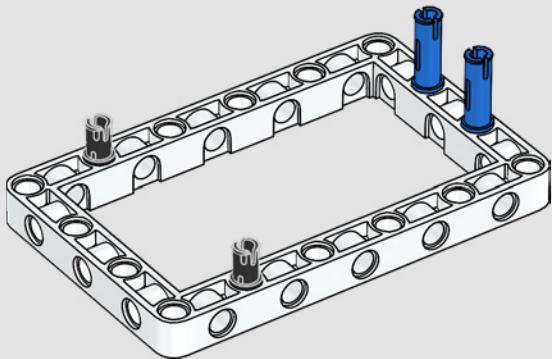


8

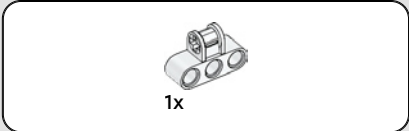
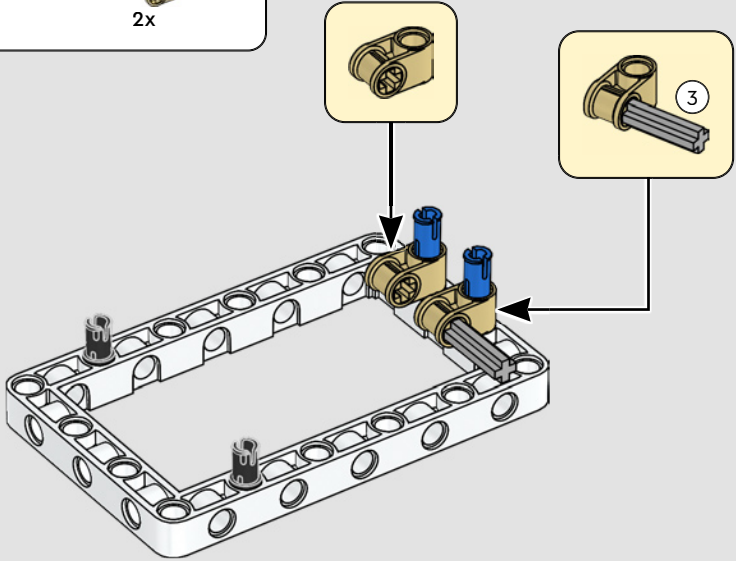




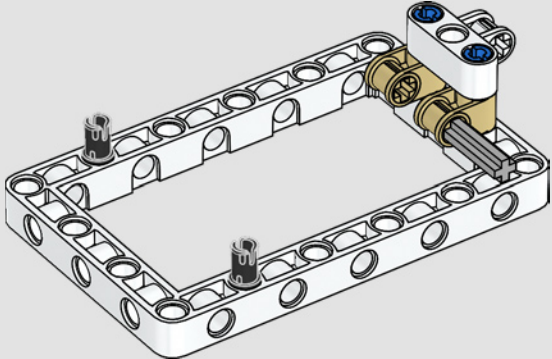
9

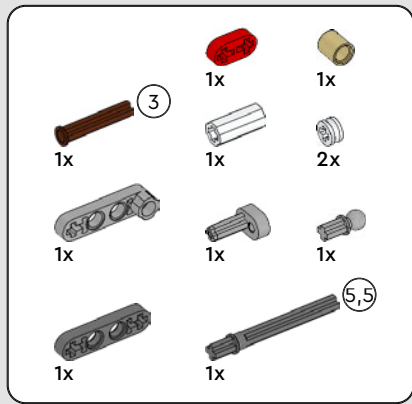


10

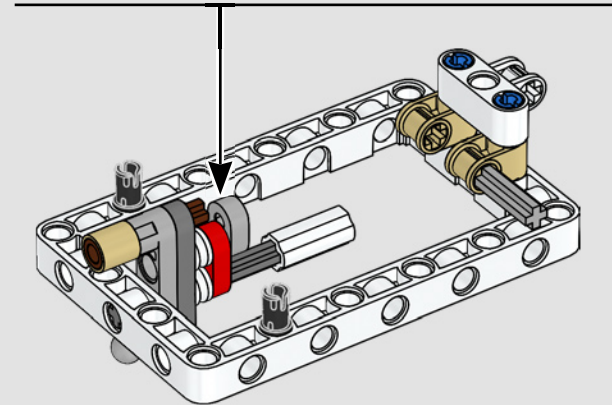
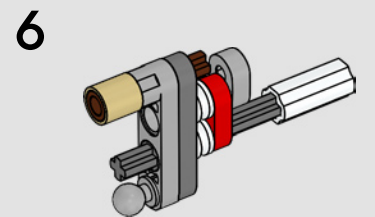
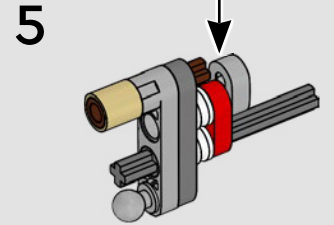
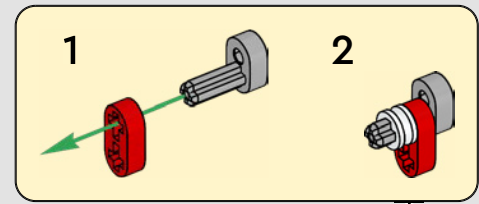
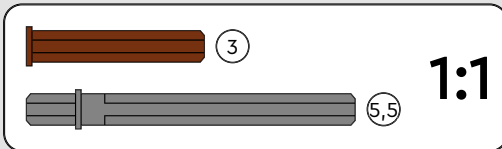
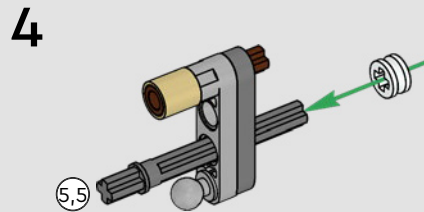
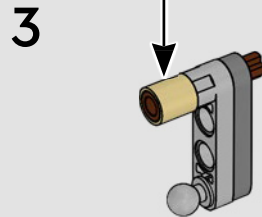
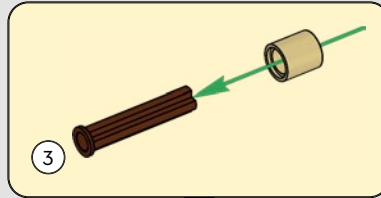
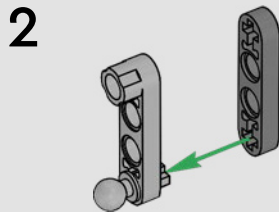
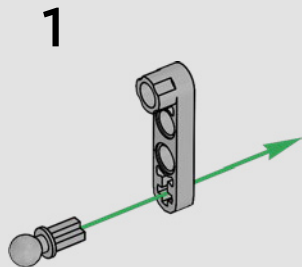


11

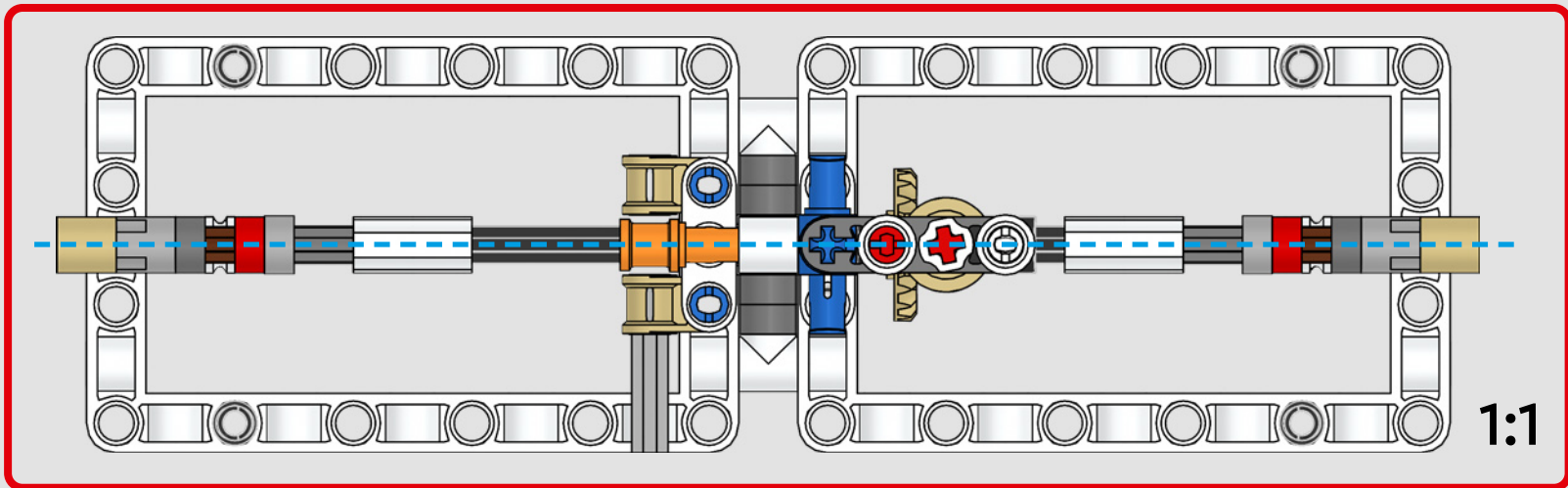
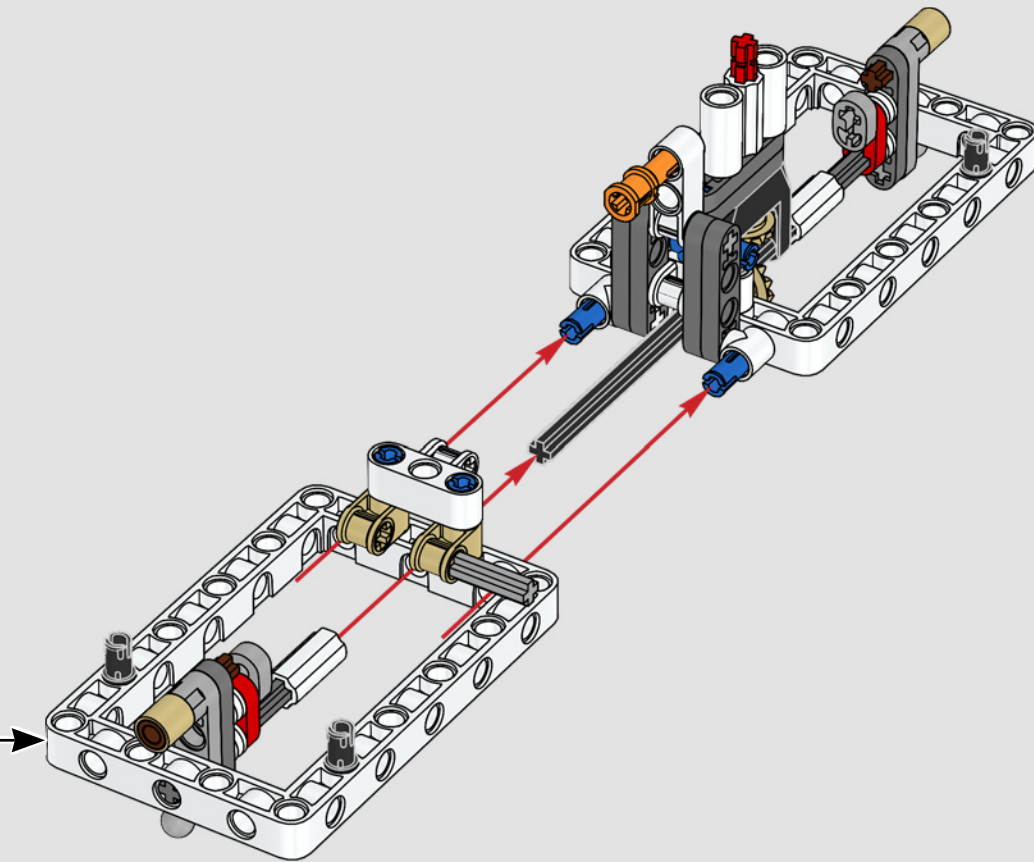


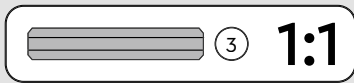
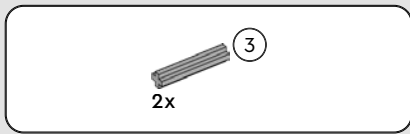


12

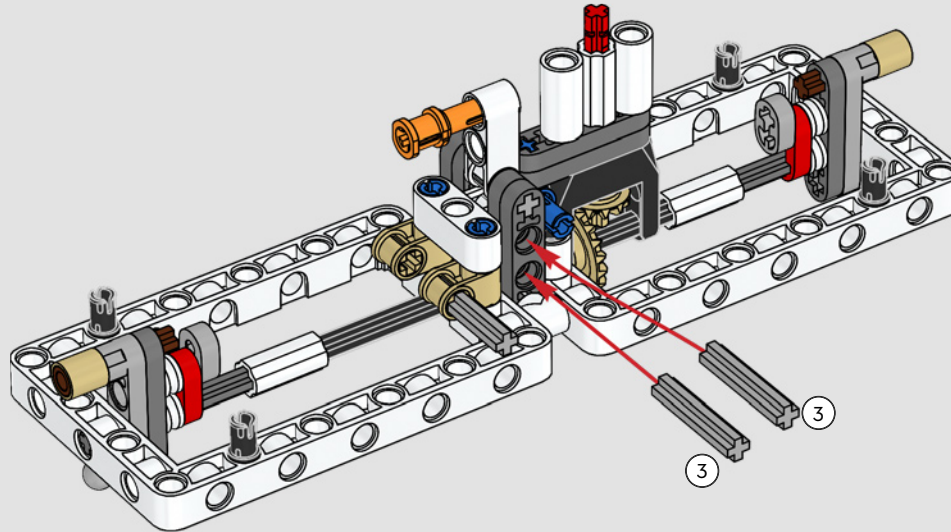


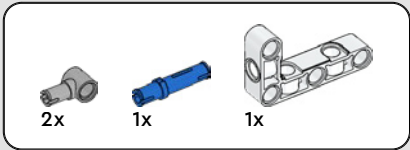
13



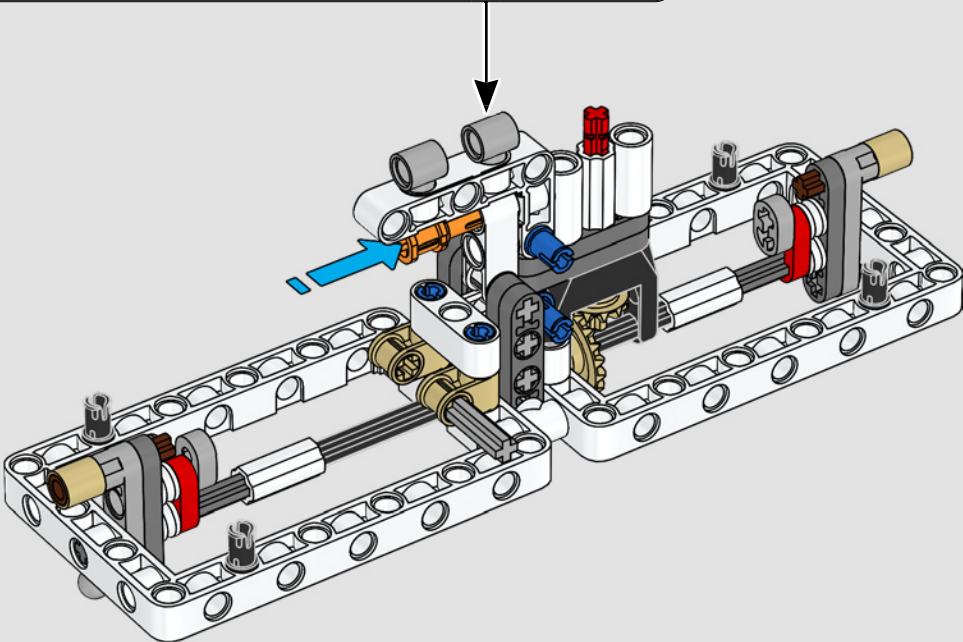
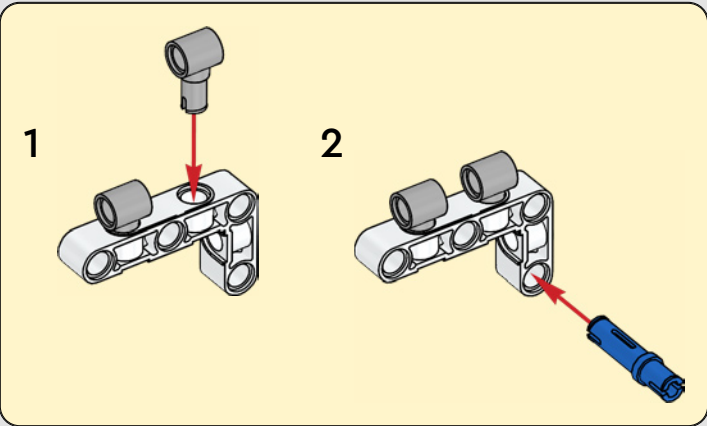


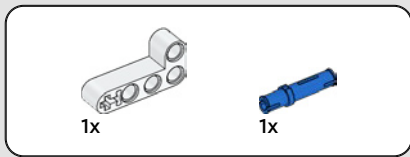
14



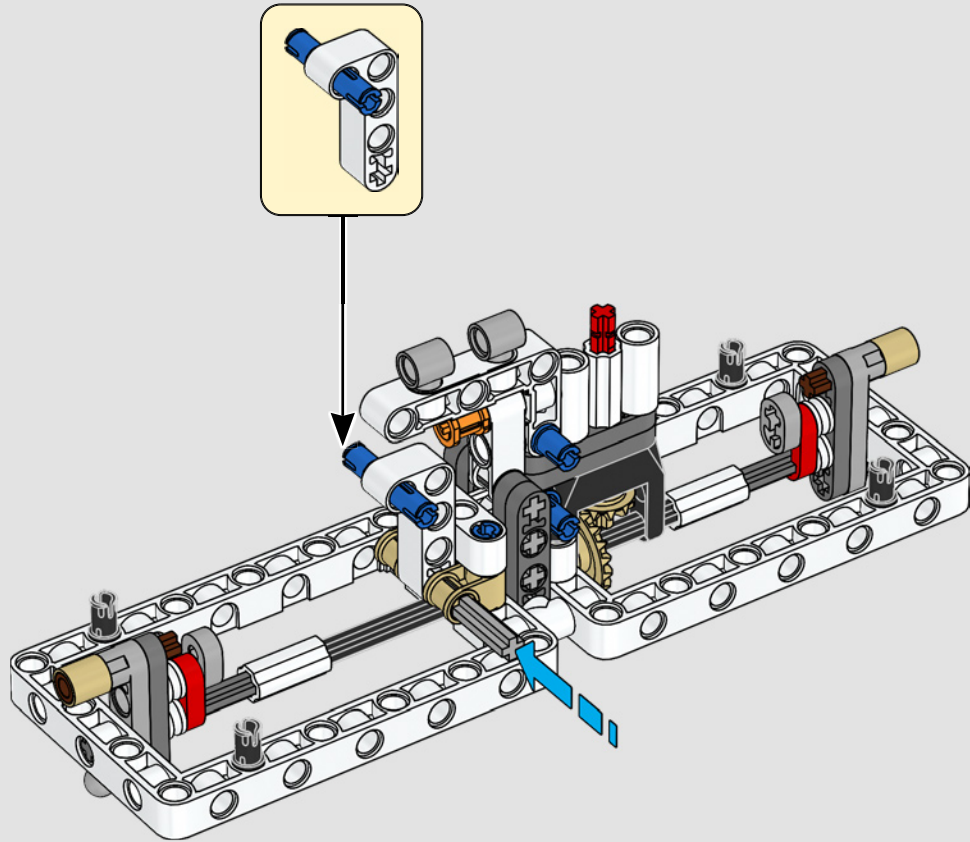


15





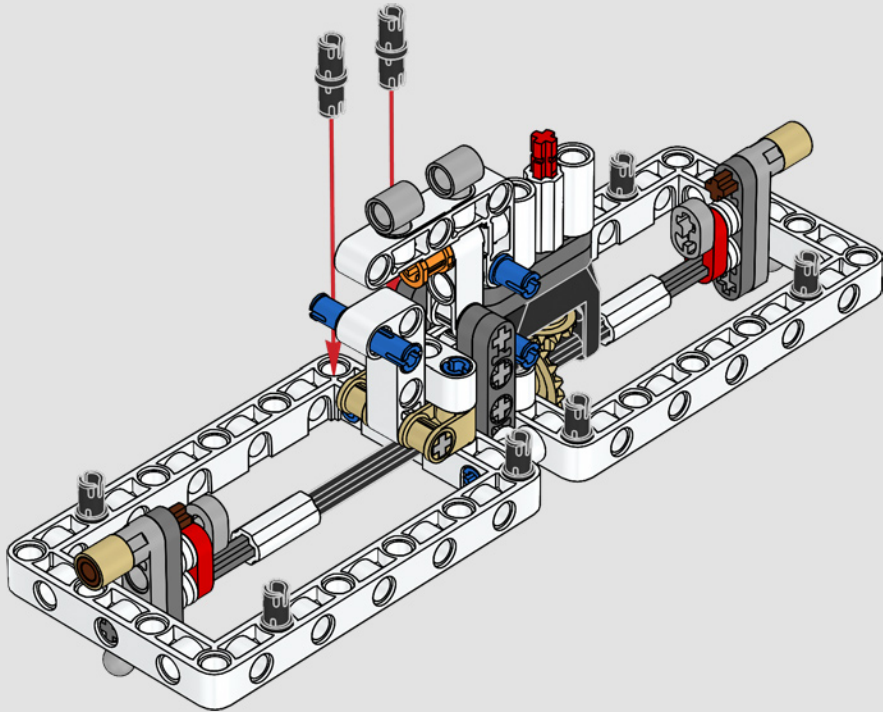
16



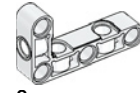


4x

17

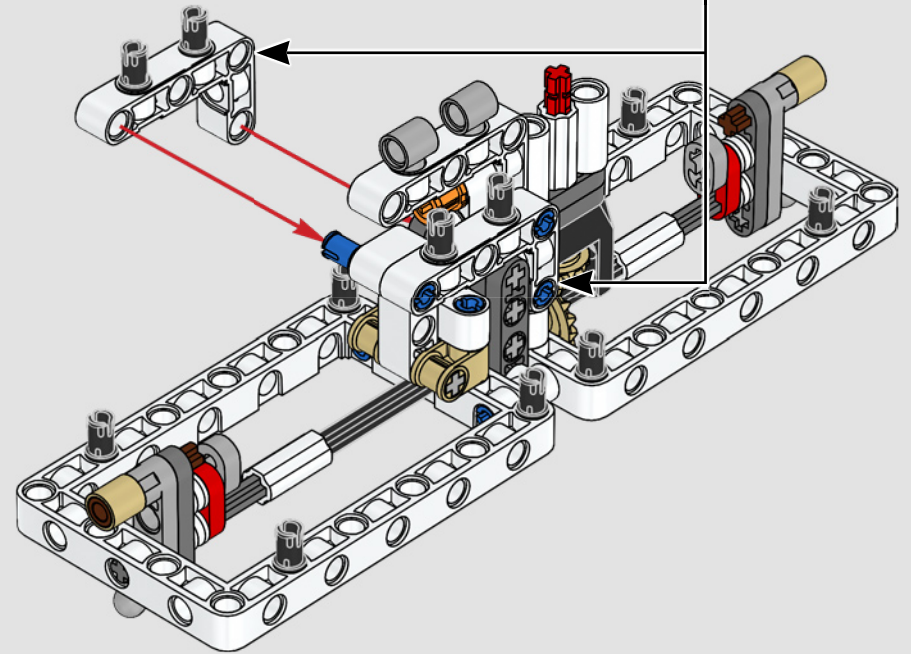


4x



2x

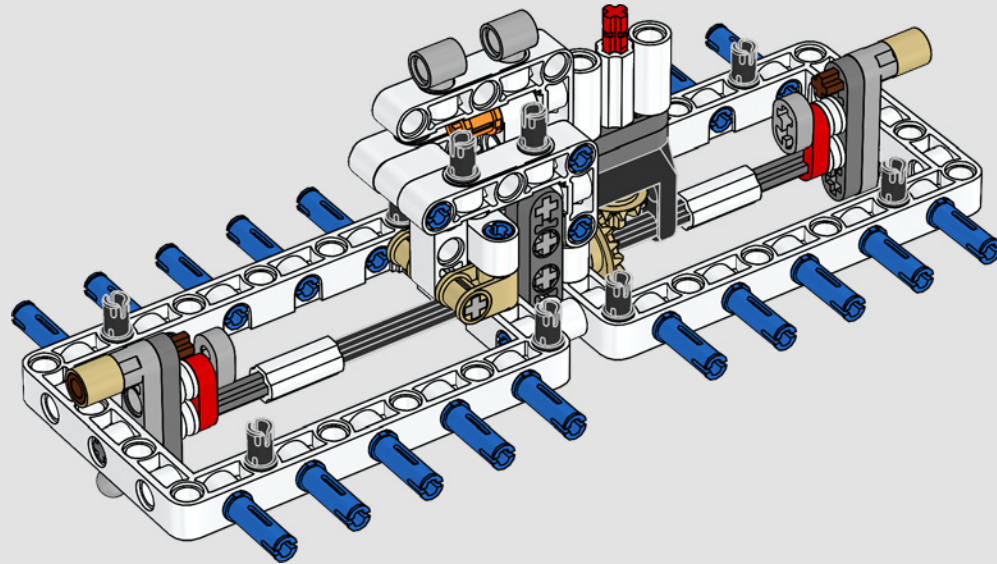
18

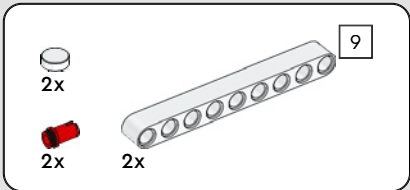




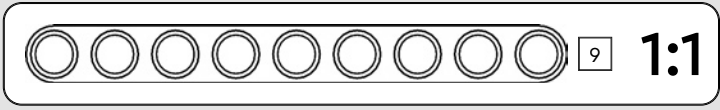
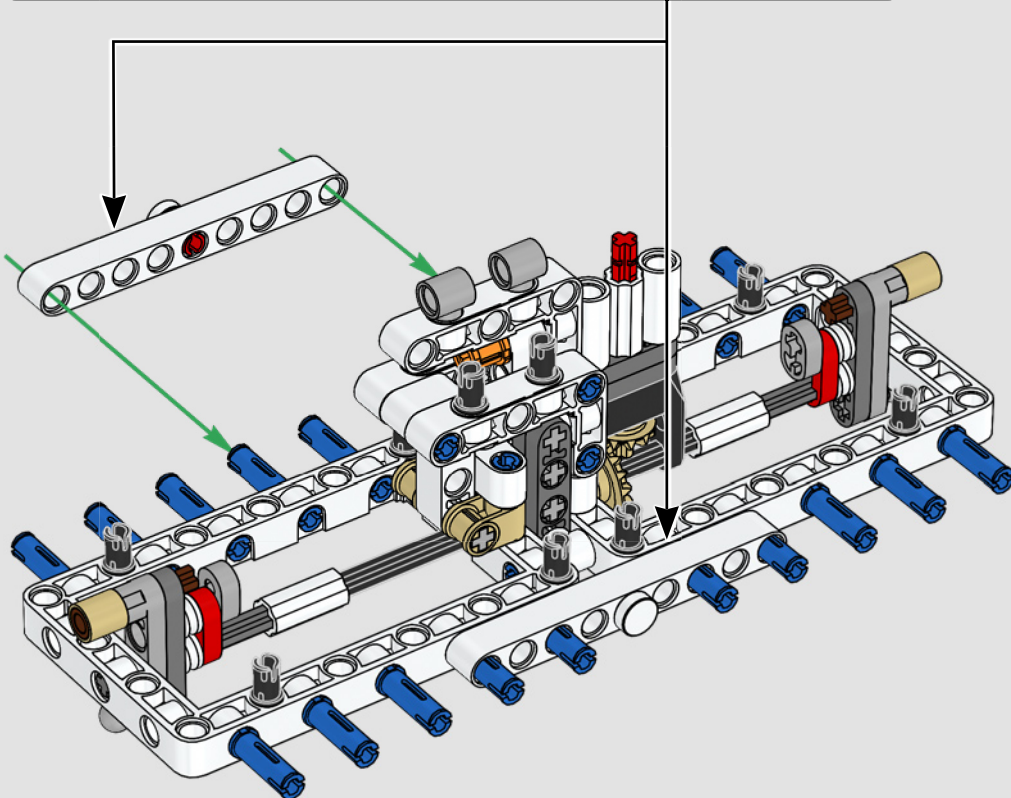
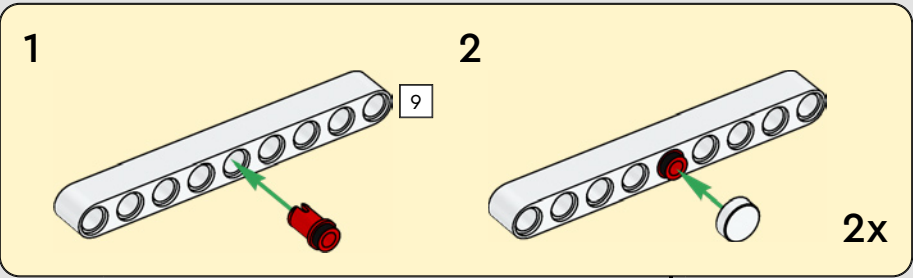
20x

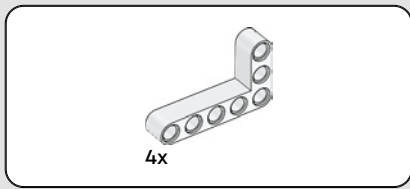
19



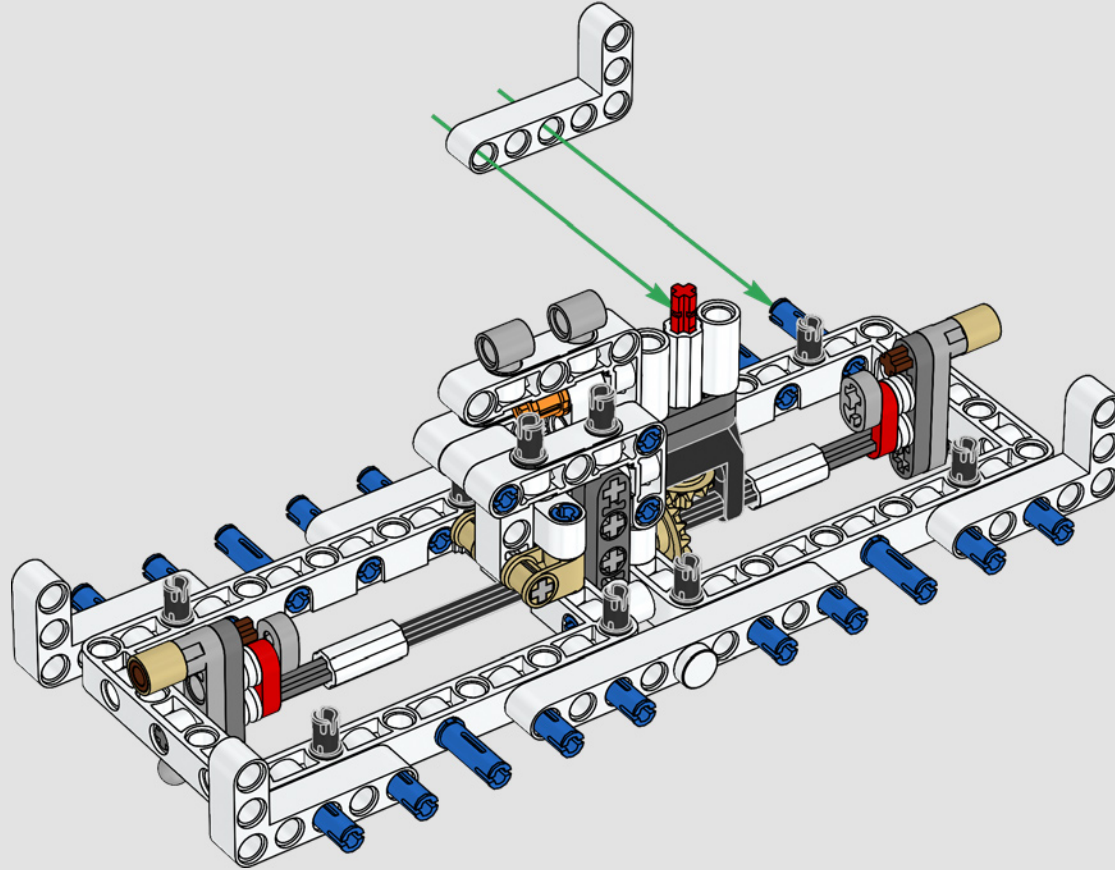


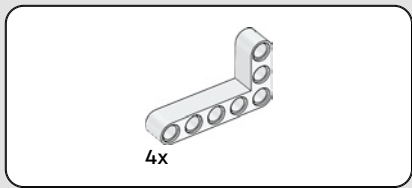
20



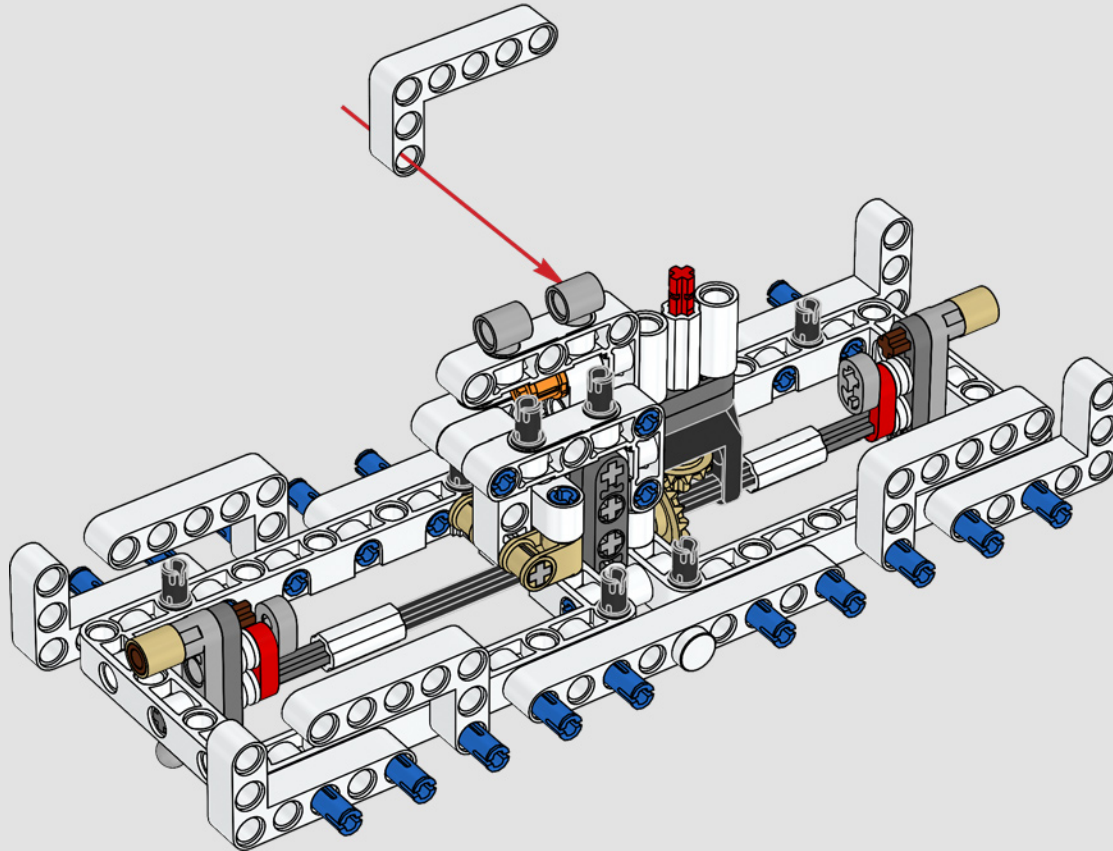


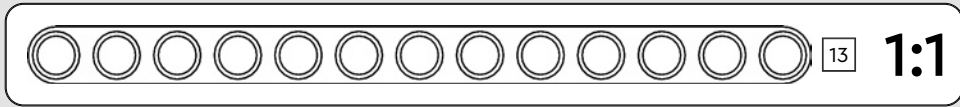
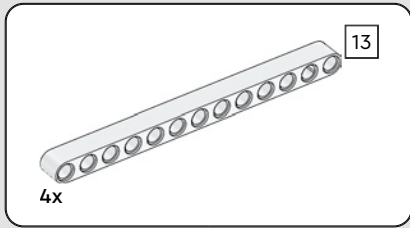
21



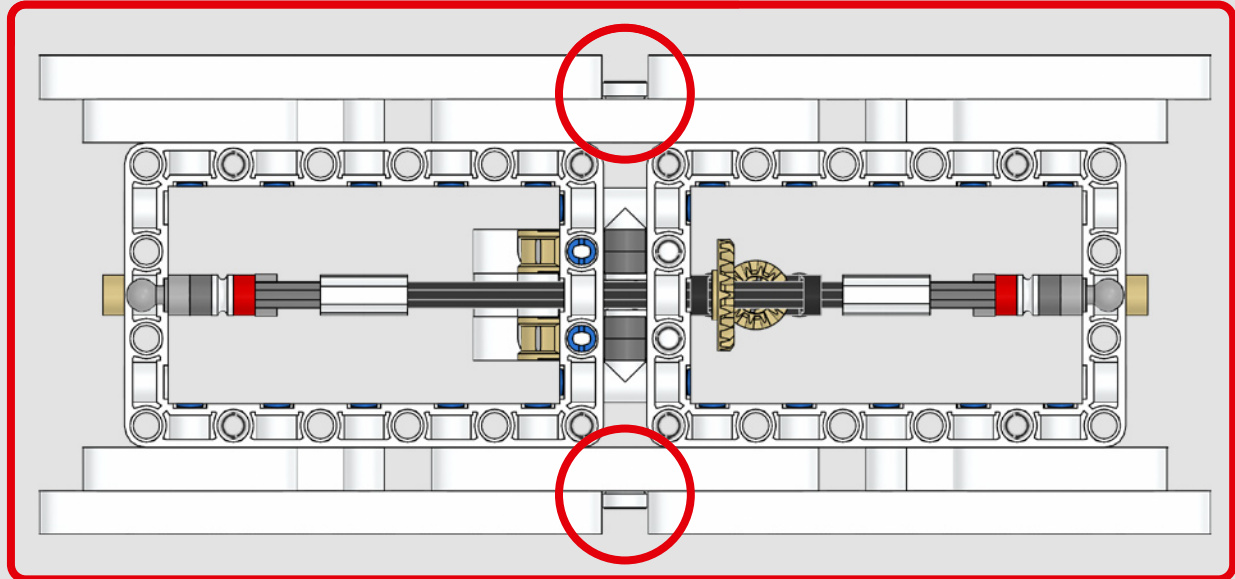
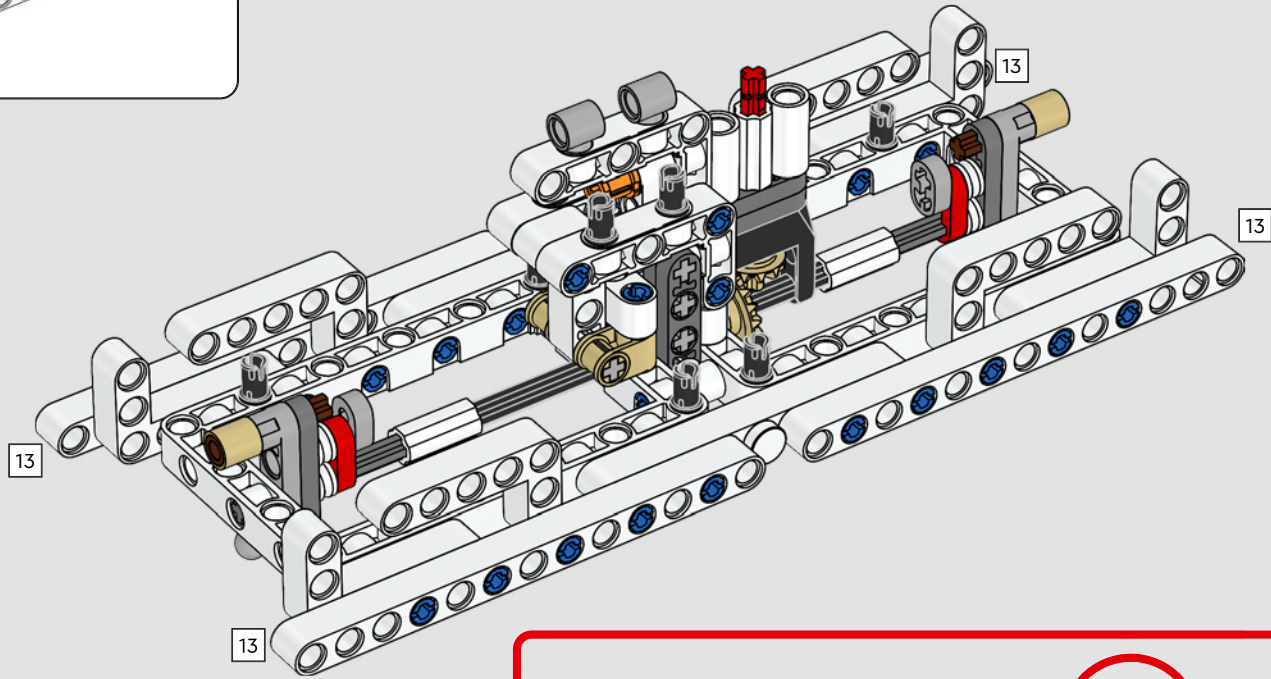


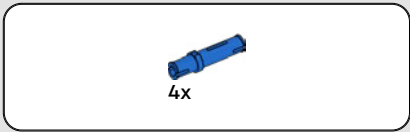
22



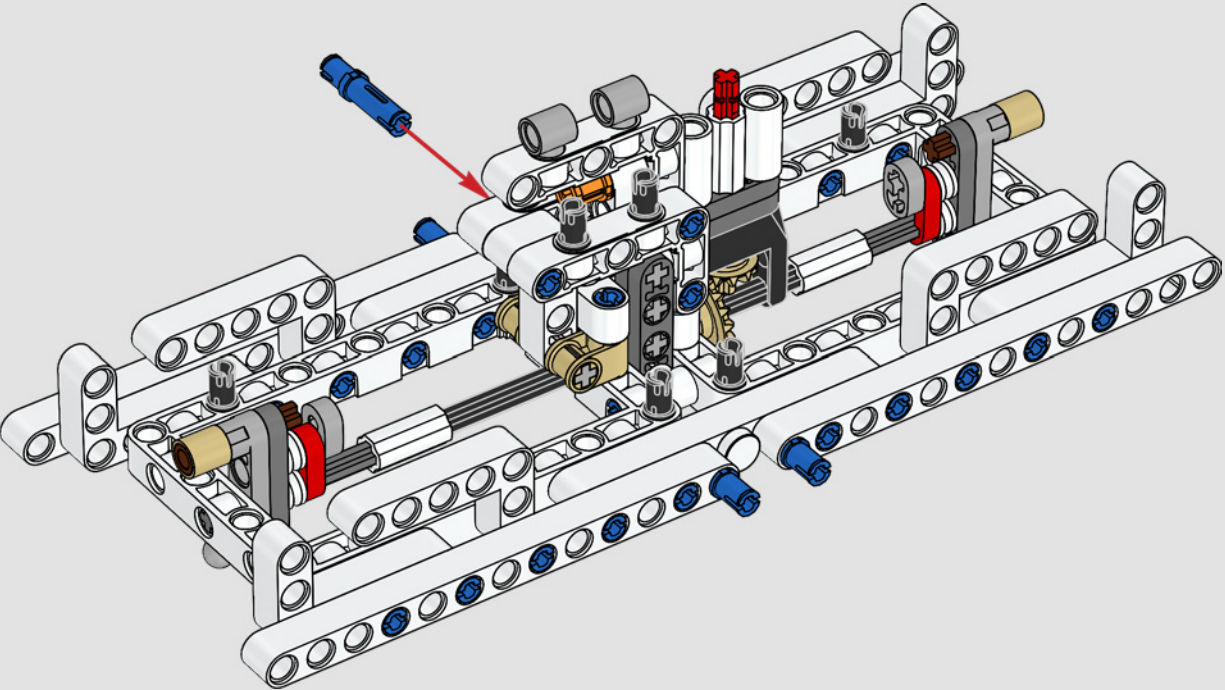


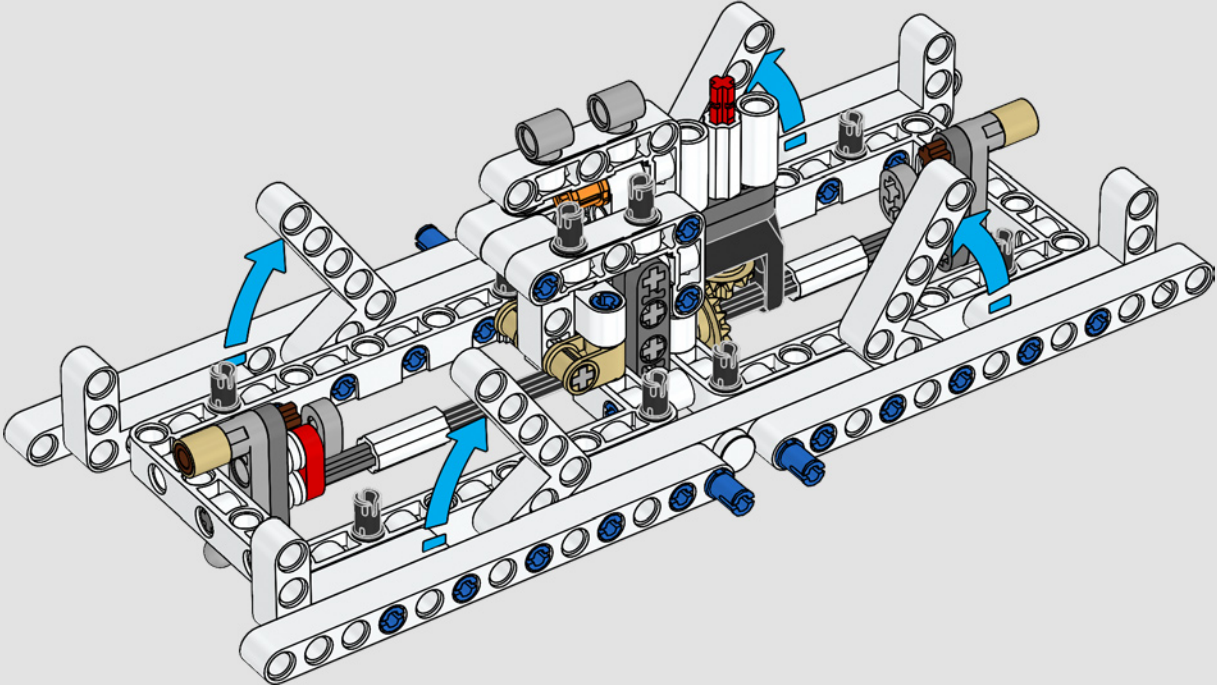
23

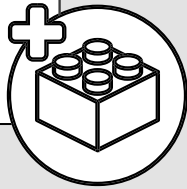
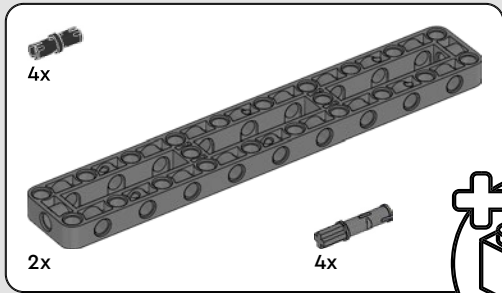
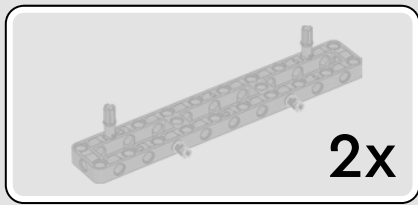




24

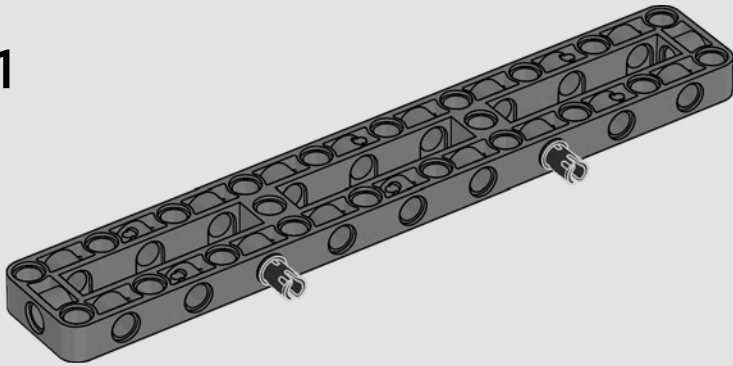




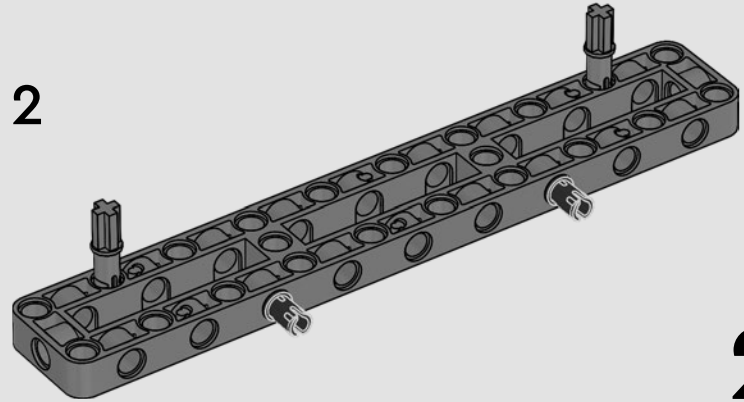


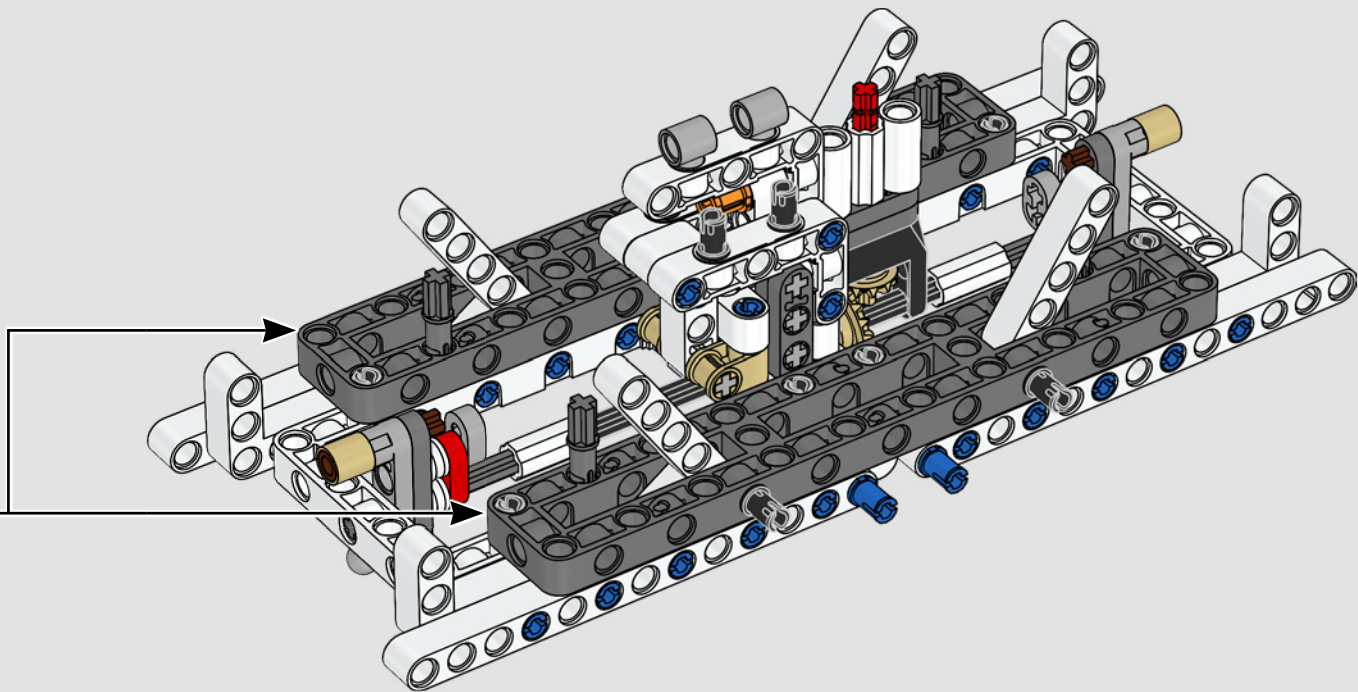
26

1

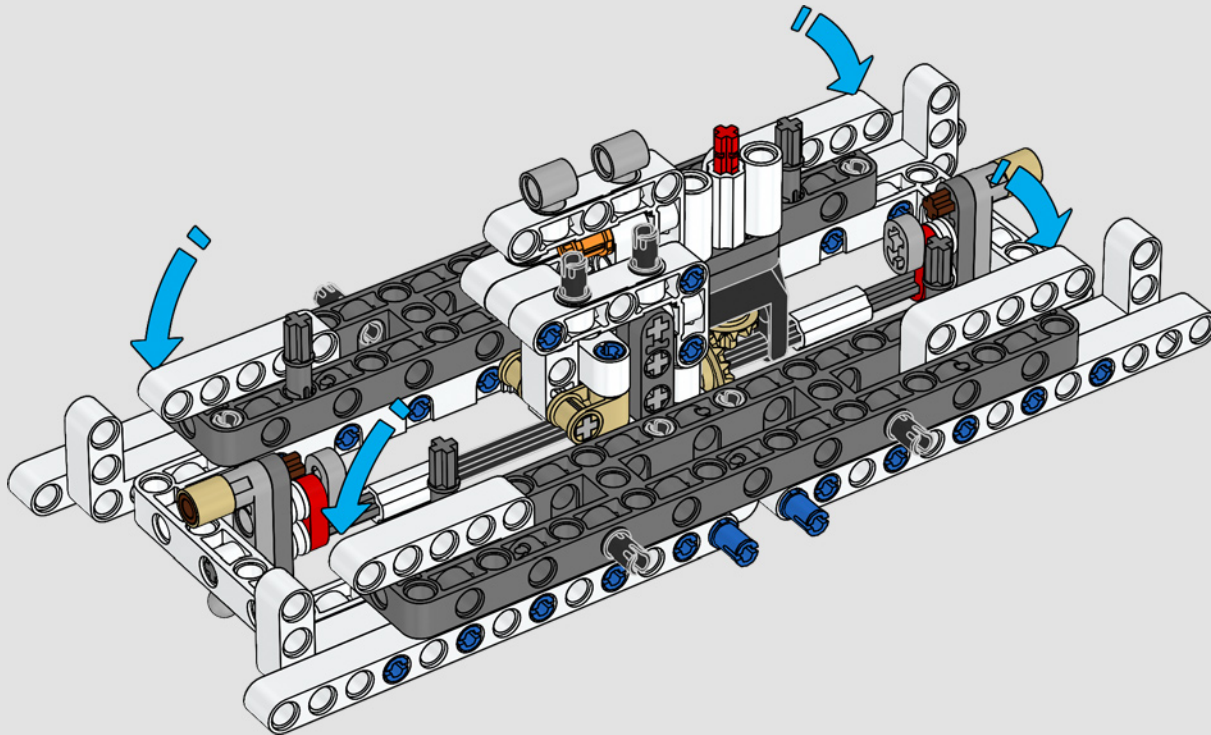


2

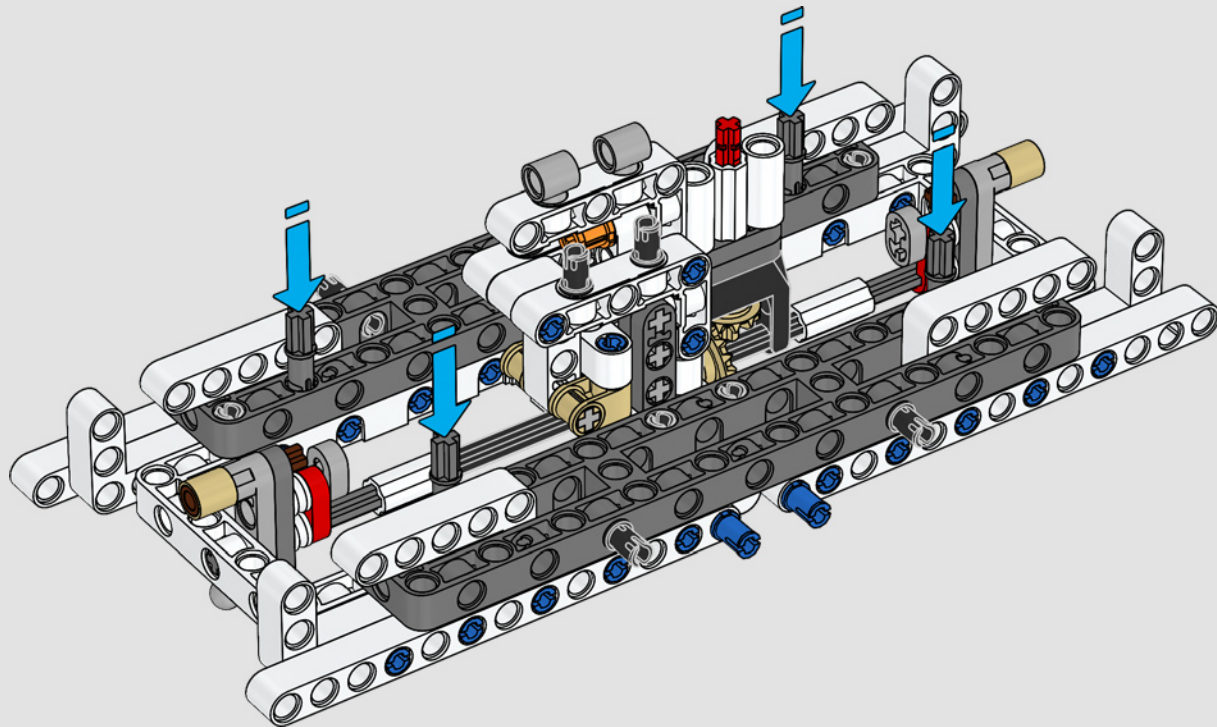




27



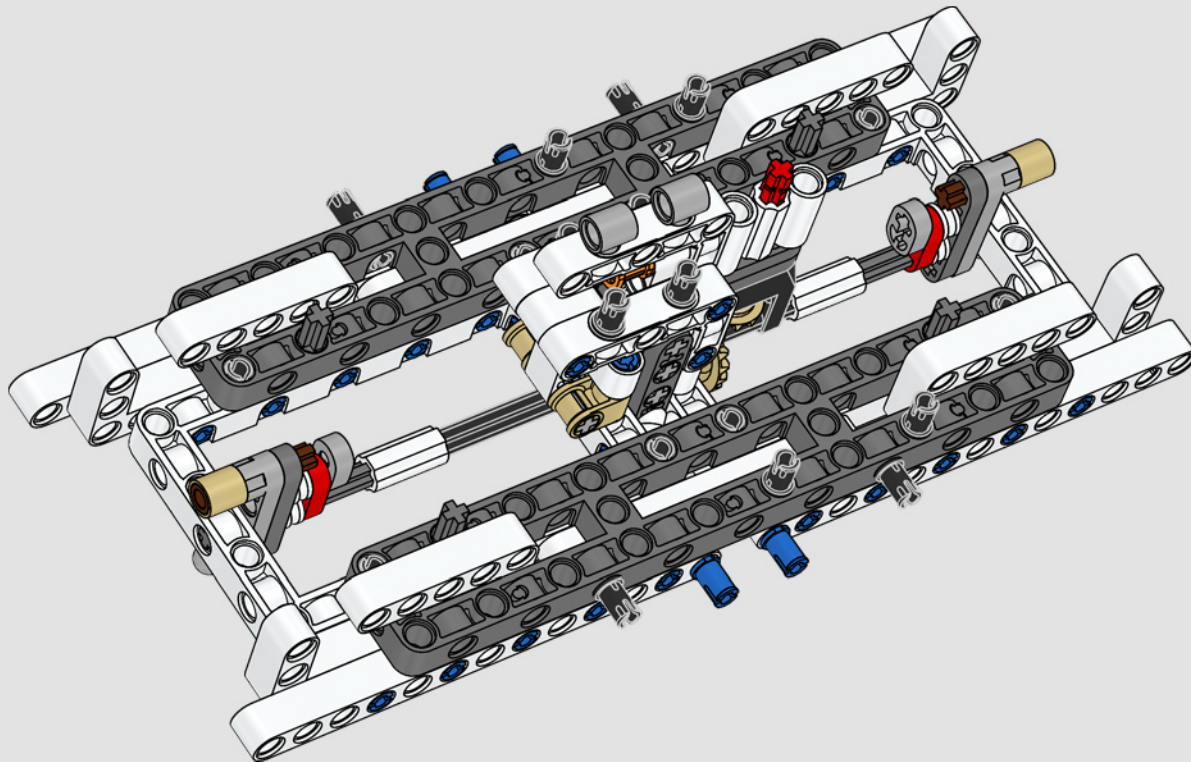
28

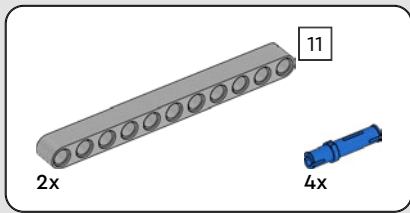




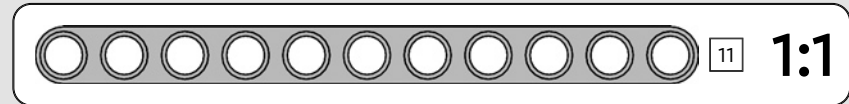
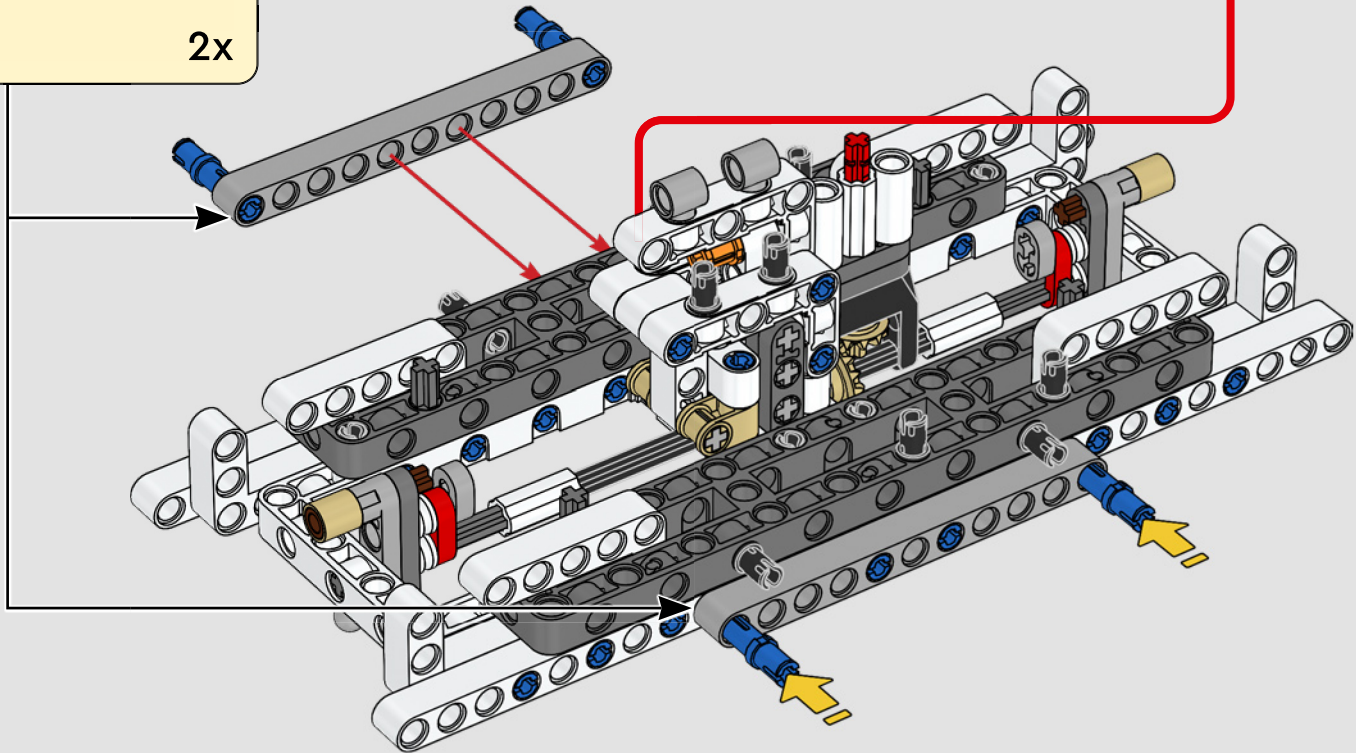
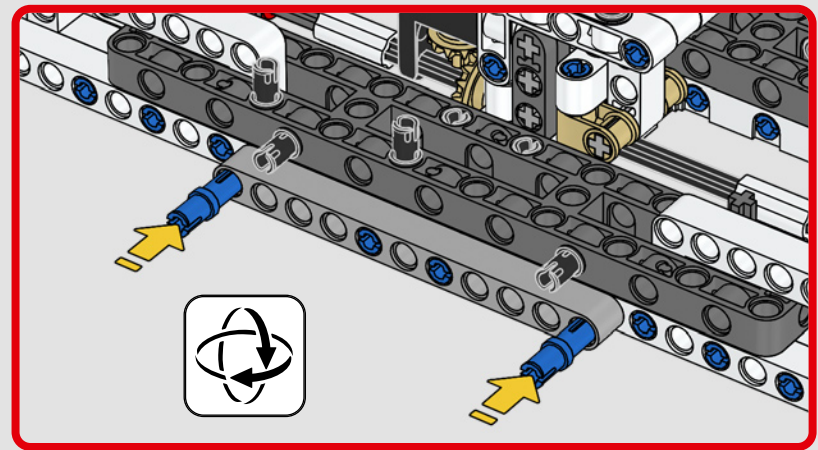
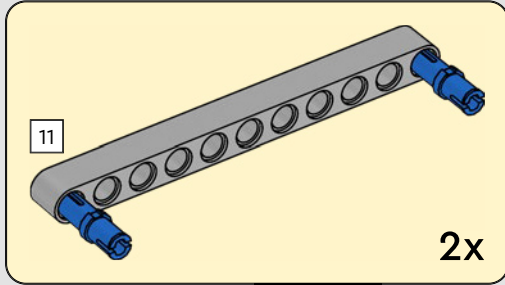
4x

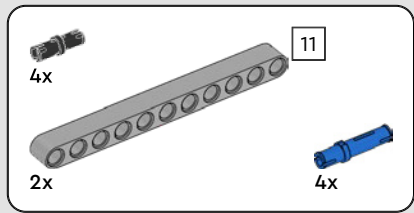
29



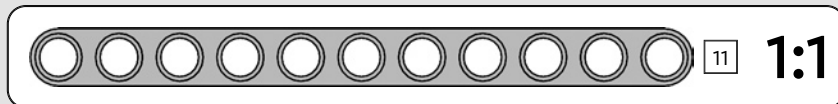
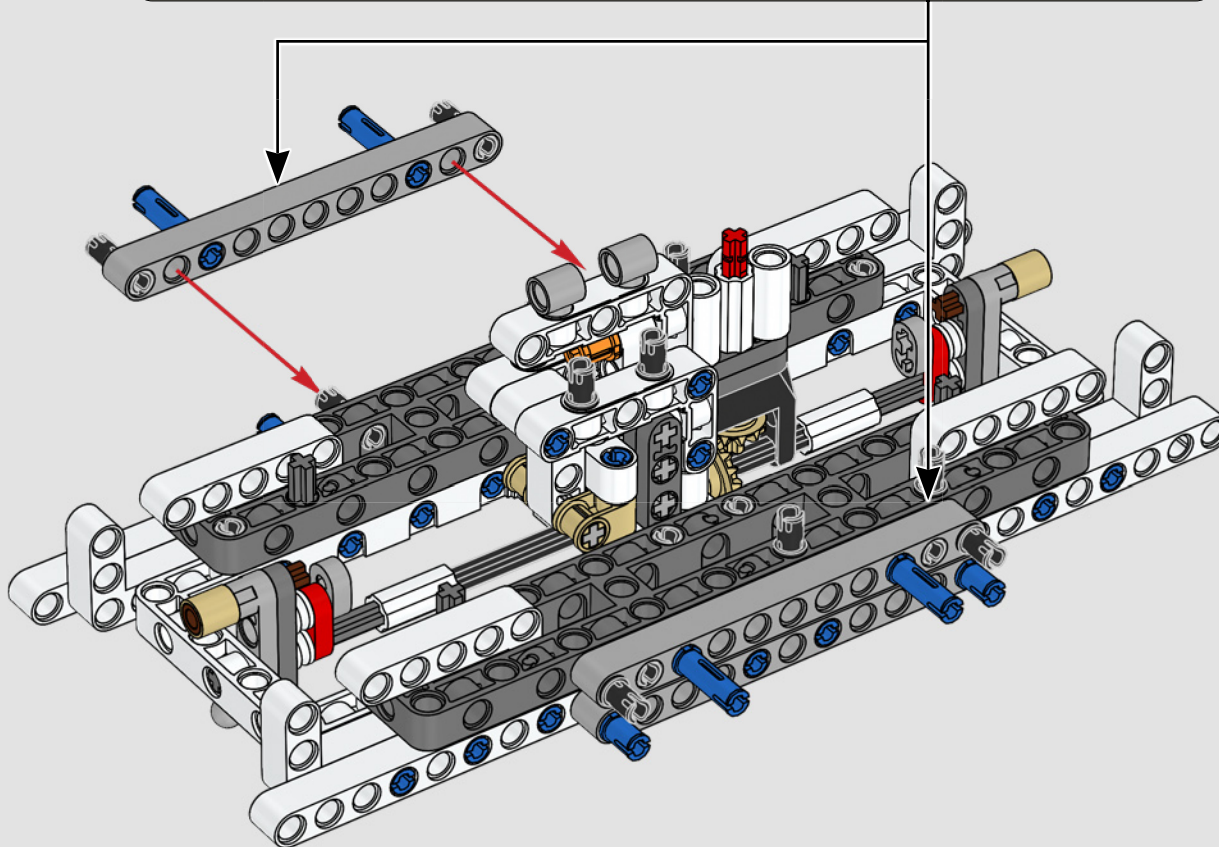
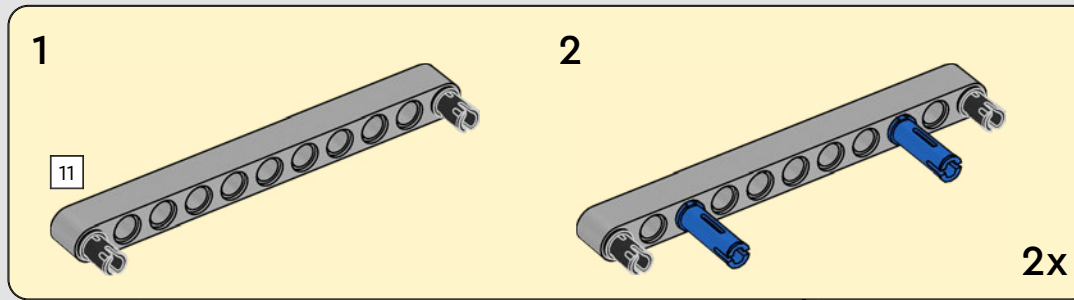


30





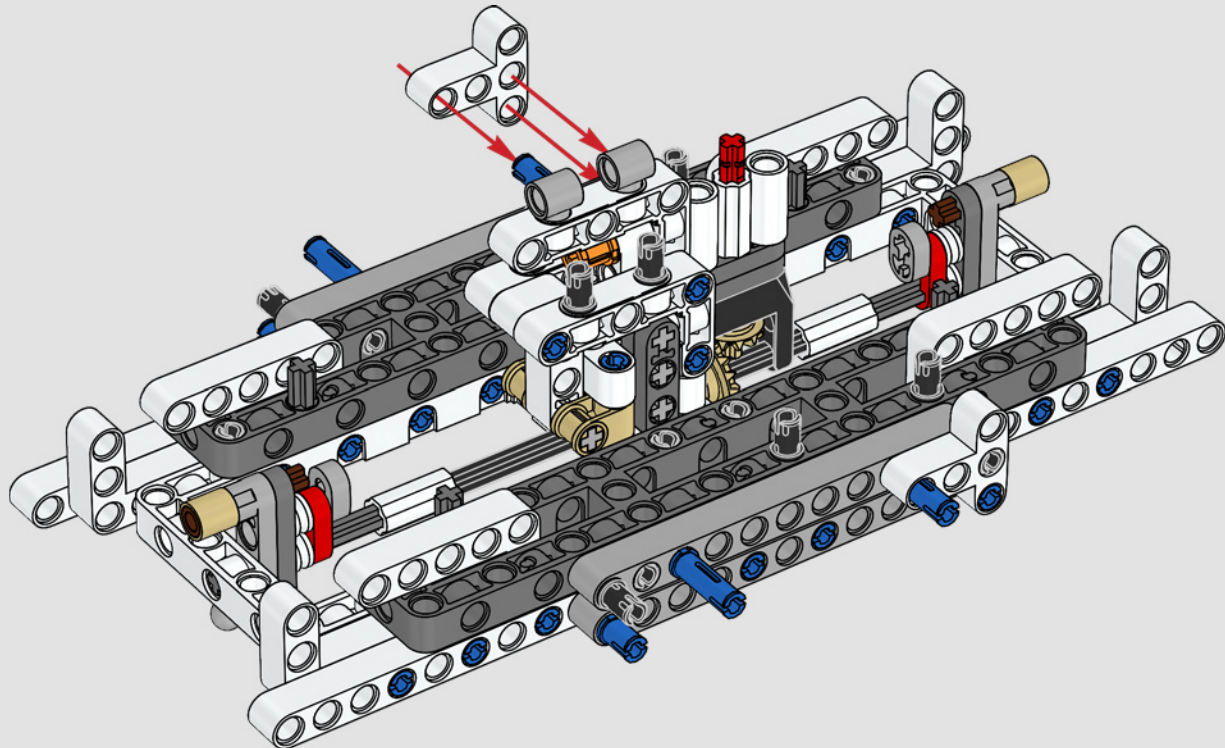
31

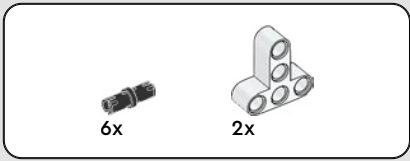




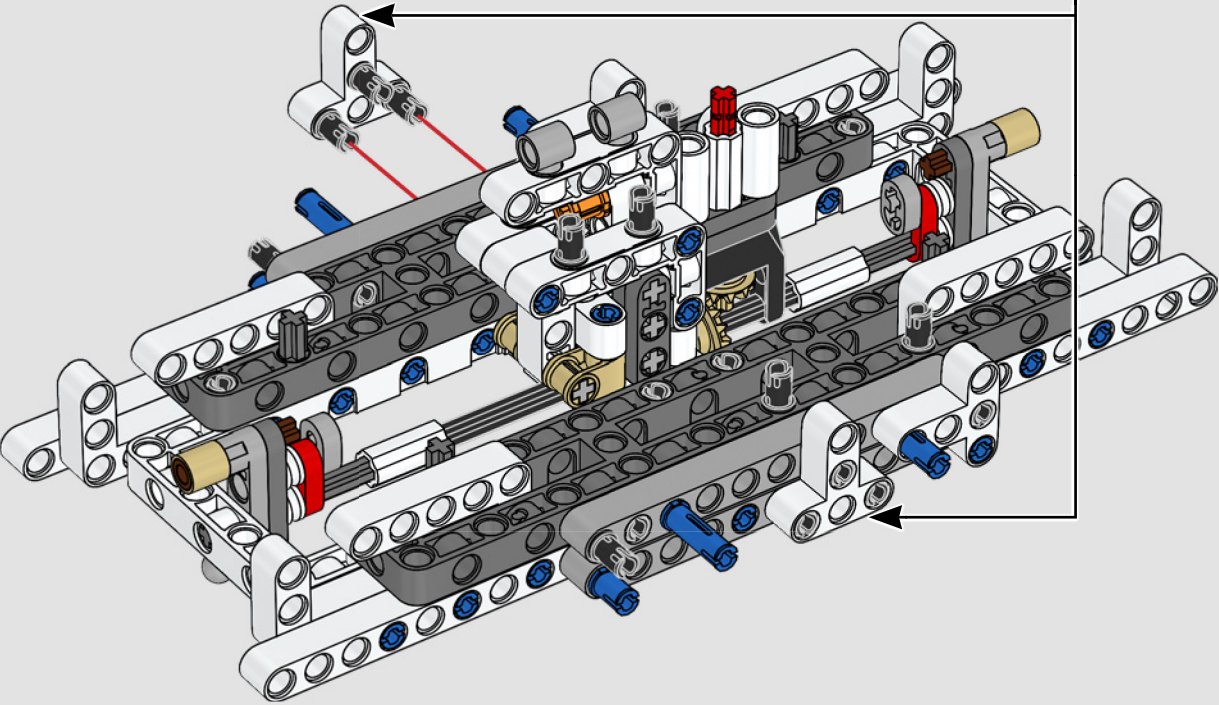
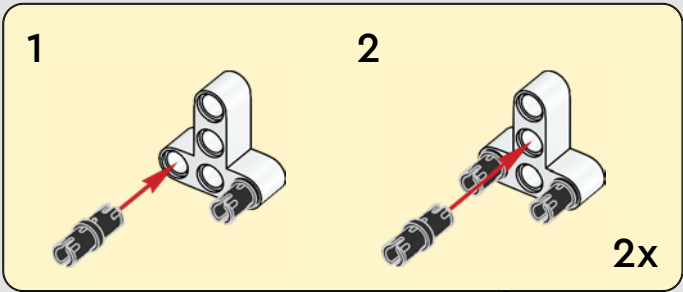
2x

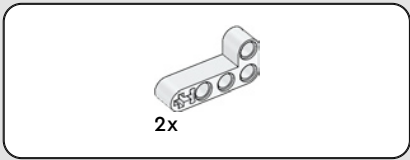
32



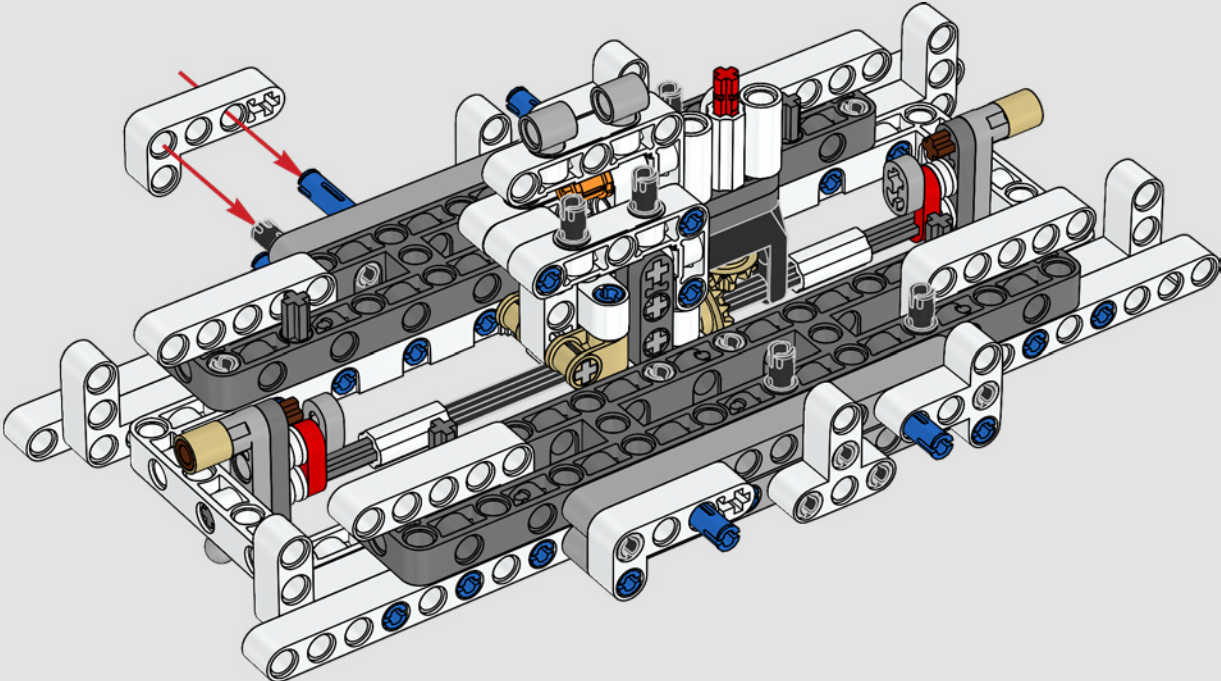


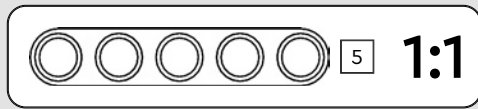
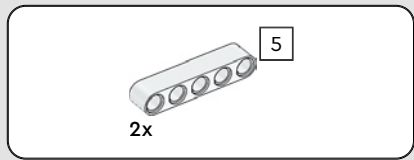
33



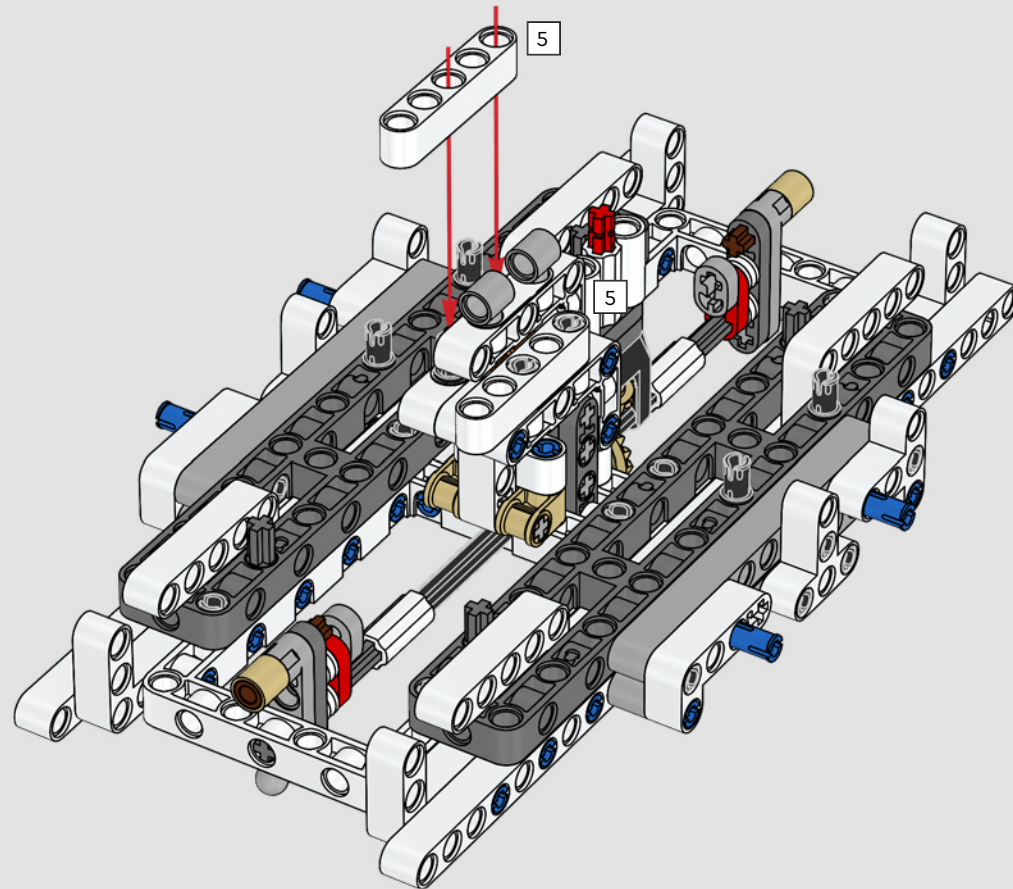


34

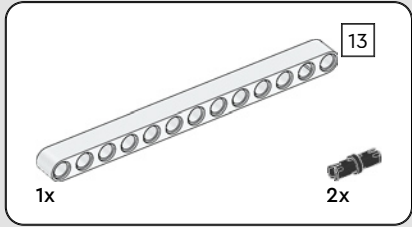
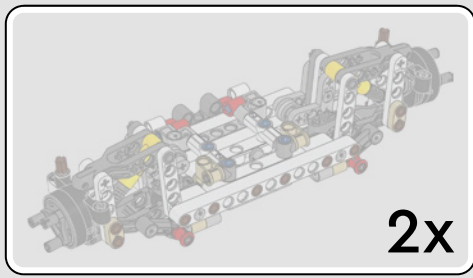




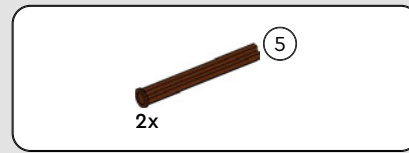
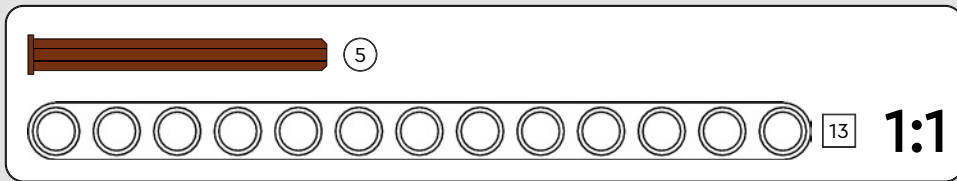
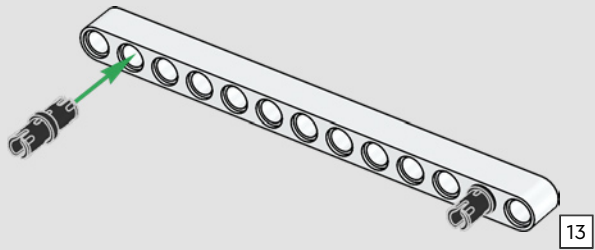
35



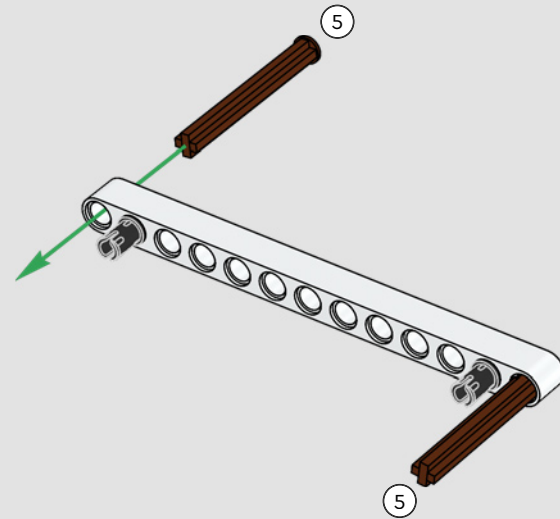


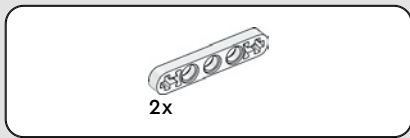


36

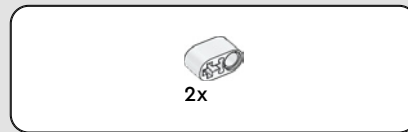
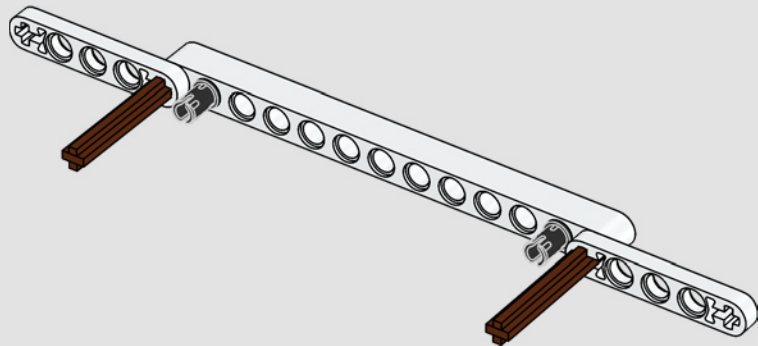


37

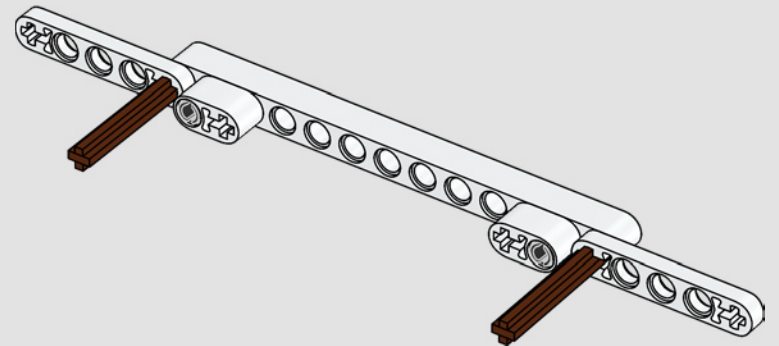


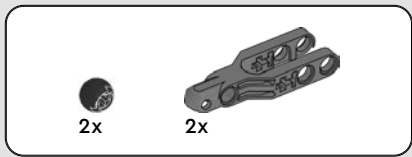


38

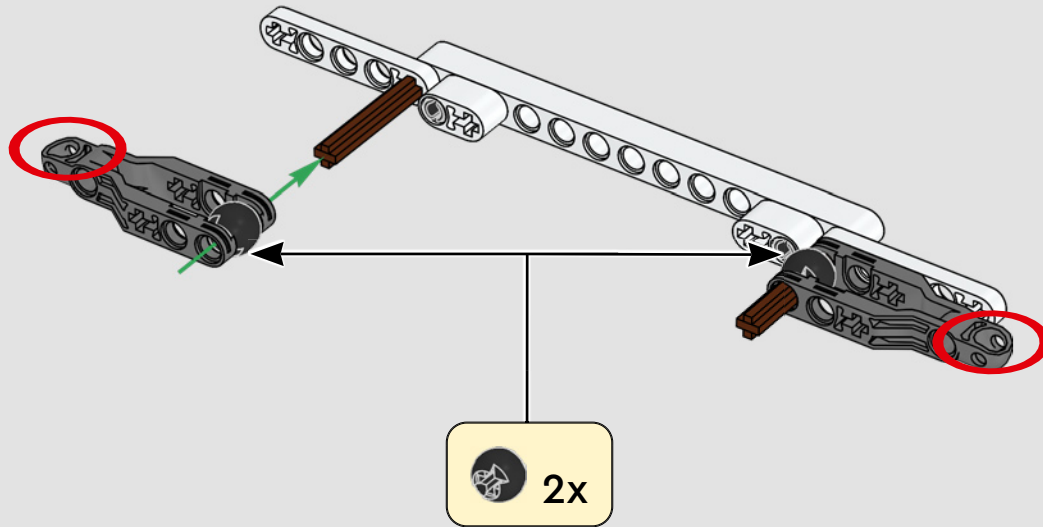
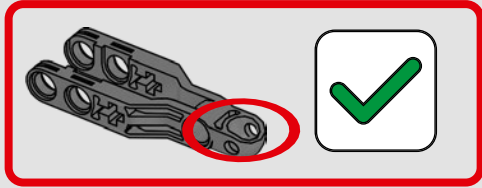


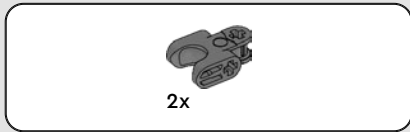
39



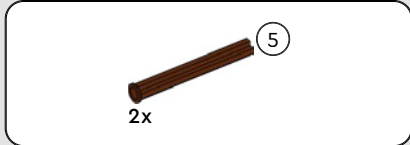
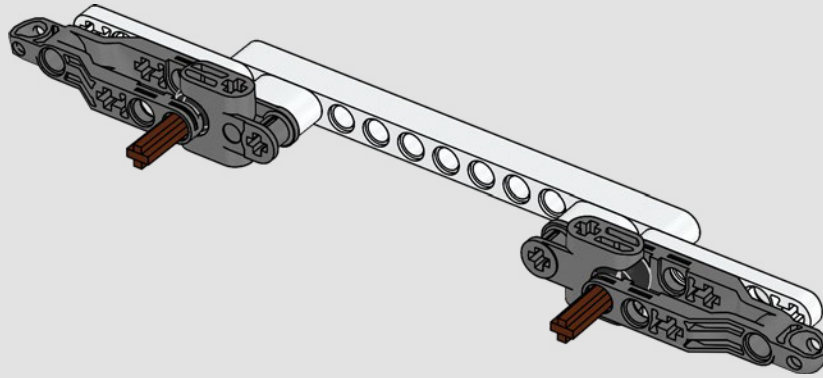


40

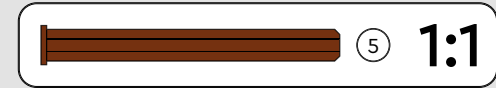
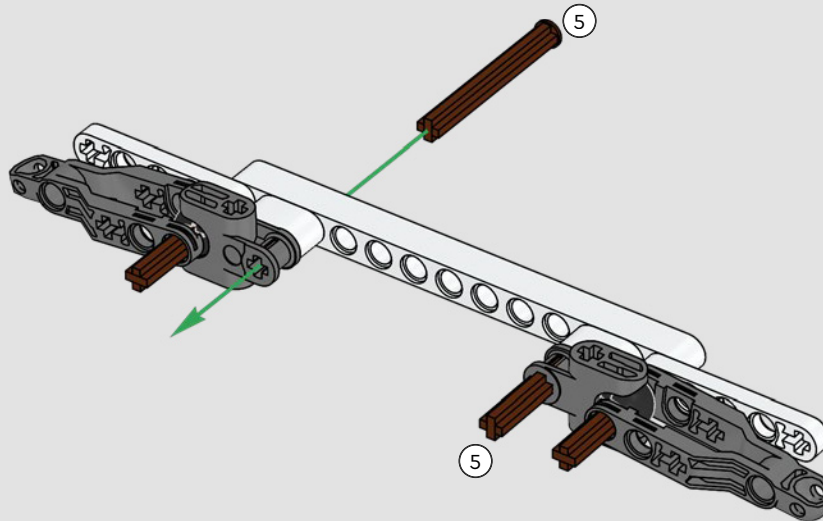




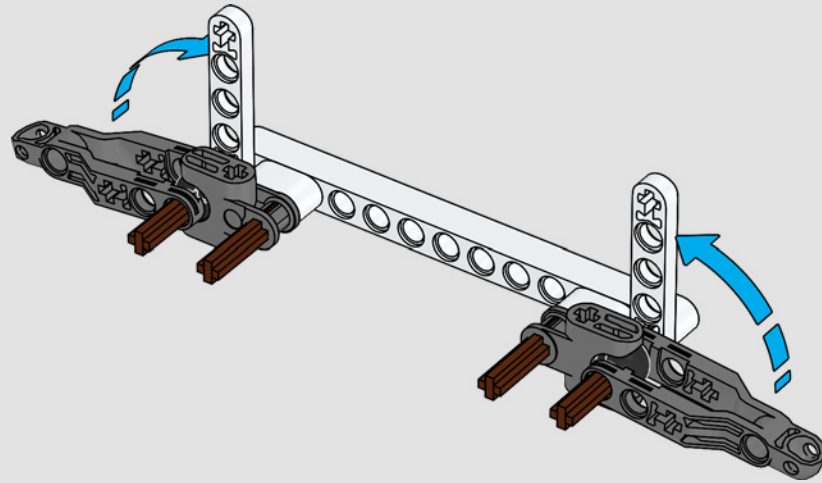
41



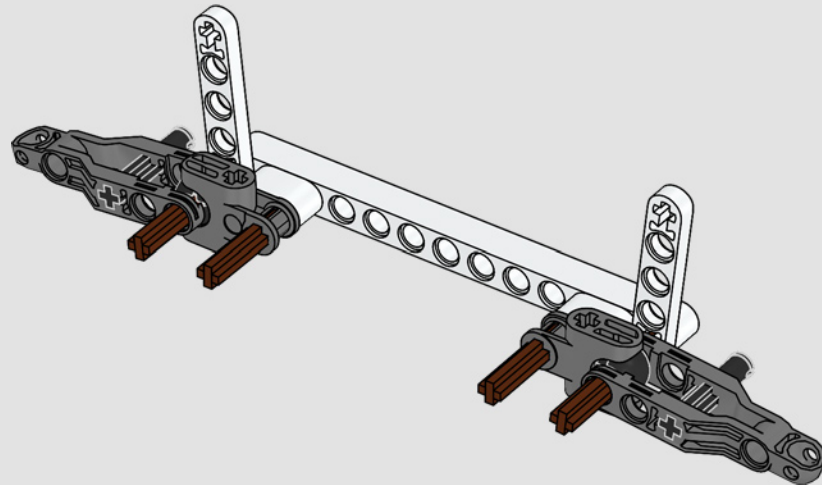
42

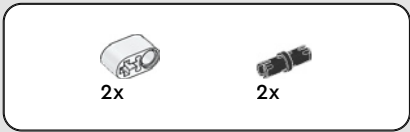


43

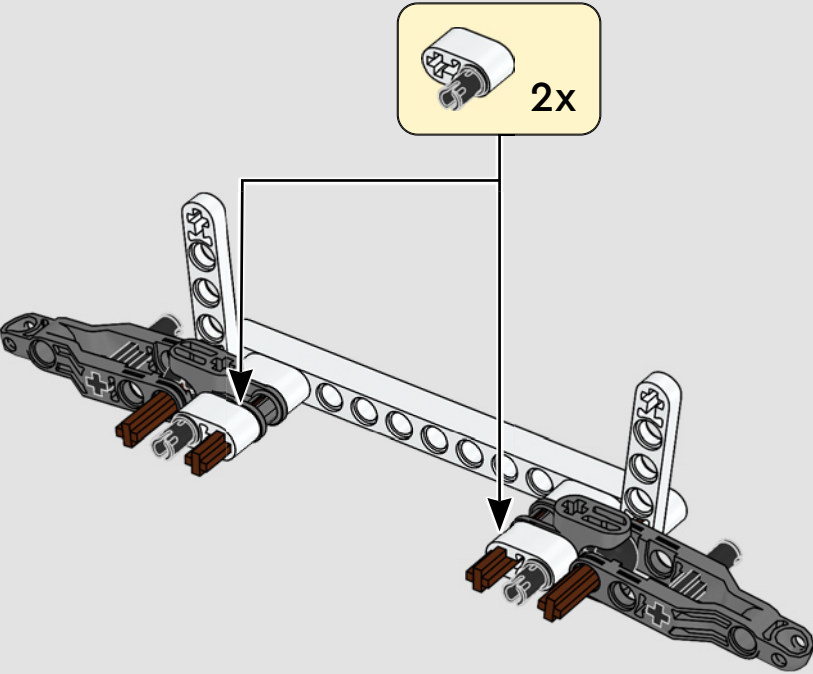


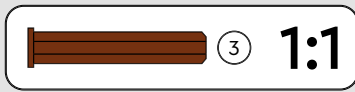
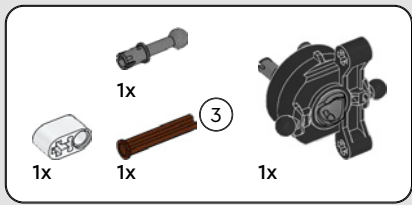
44



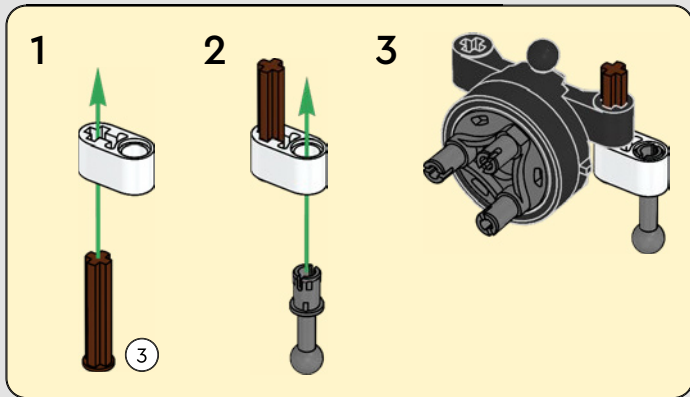
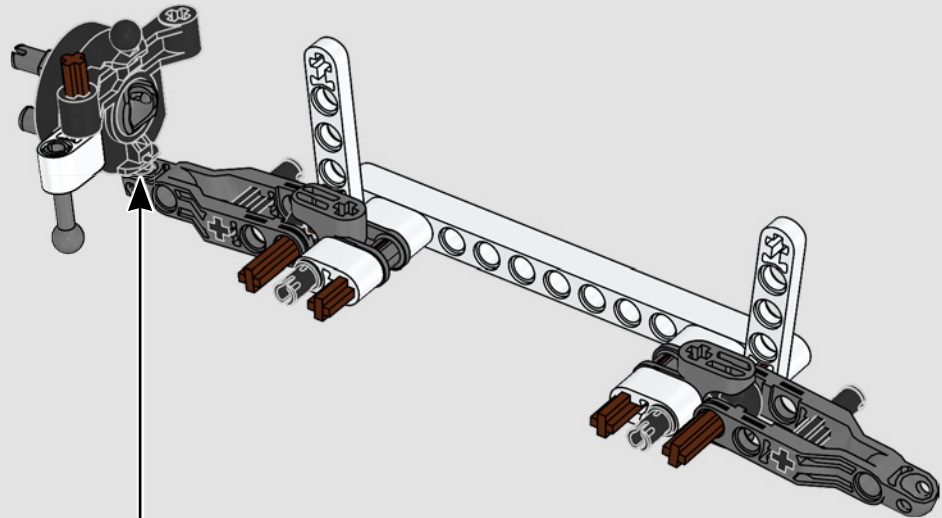


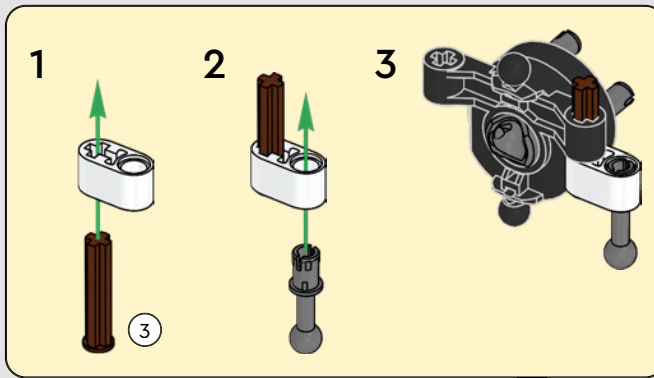
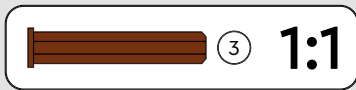
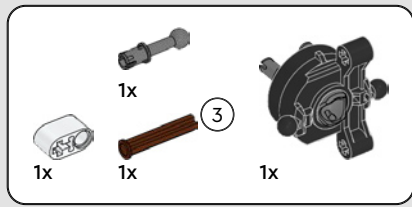
45



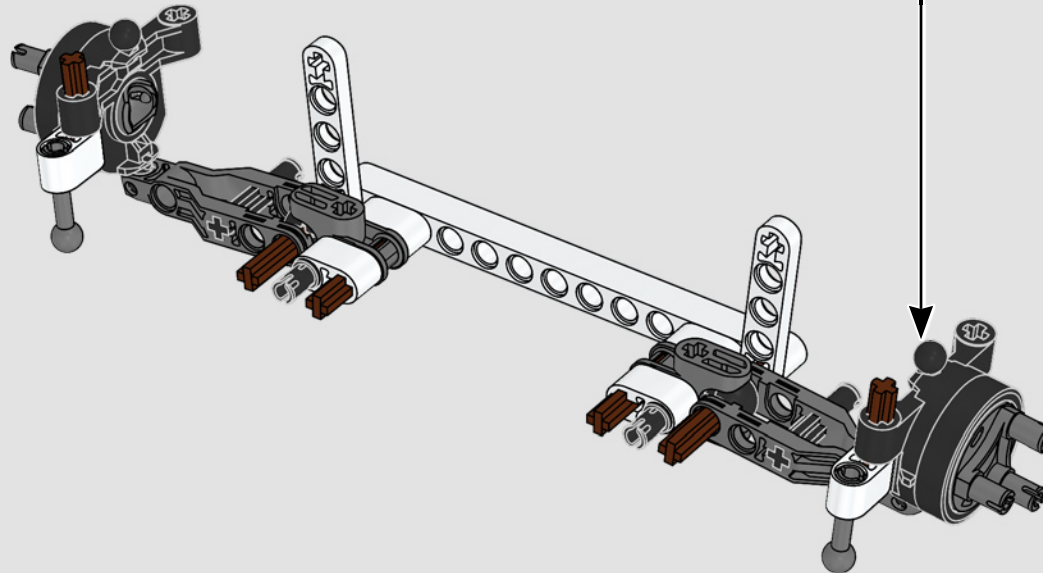


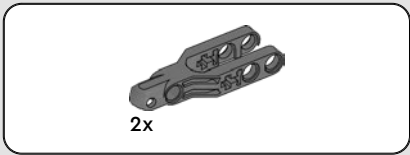
46



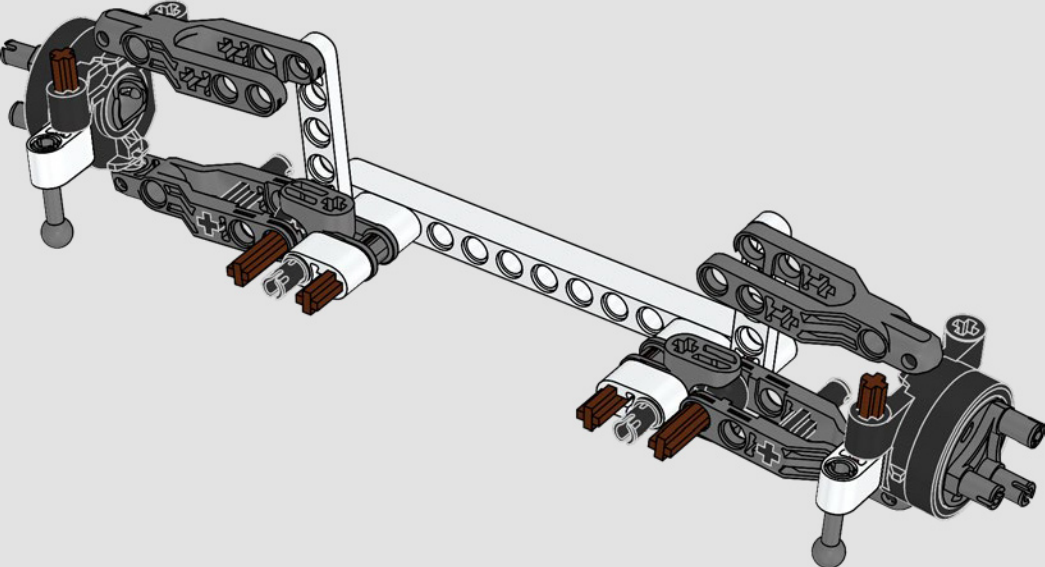


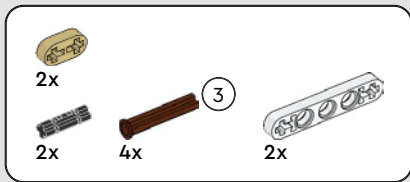
47



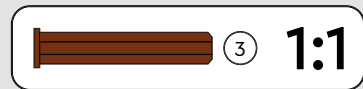
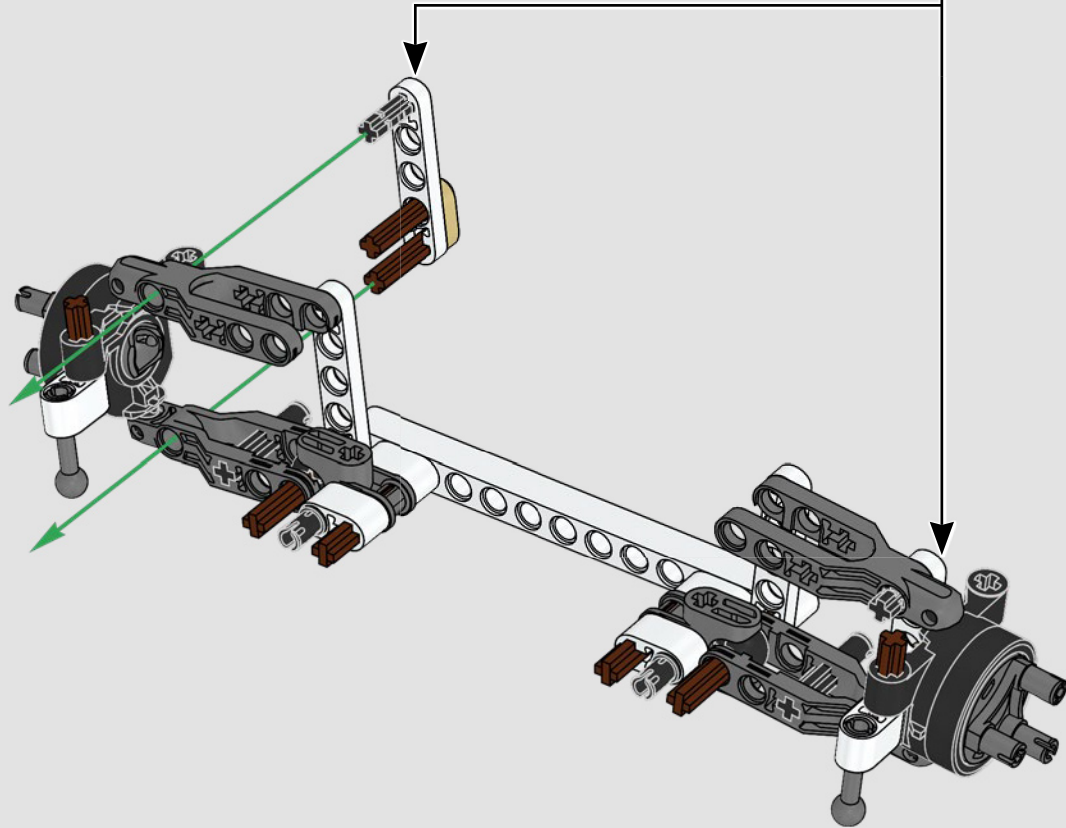
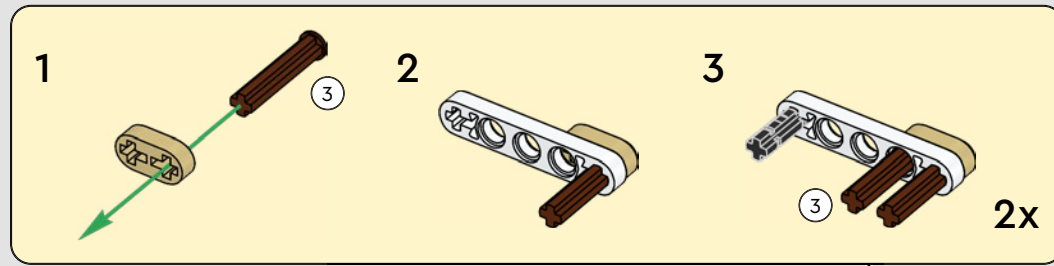


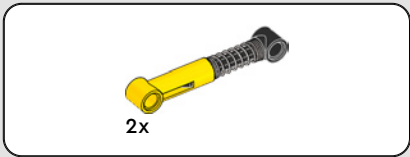
48



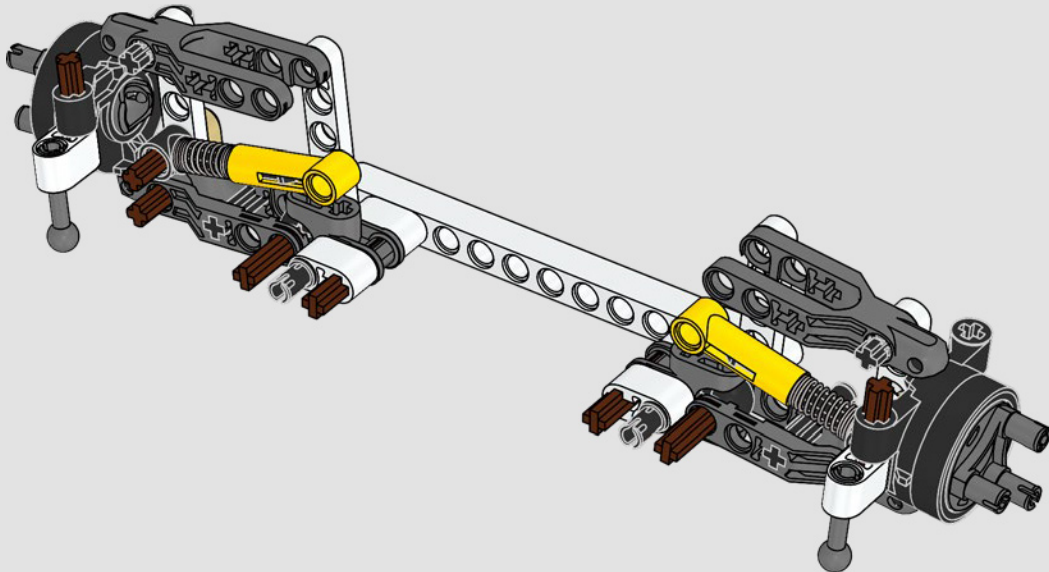


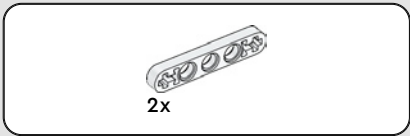
49



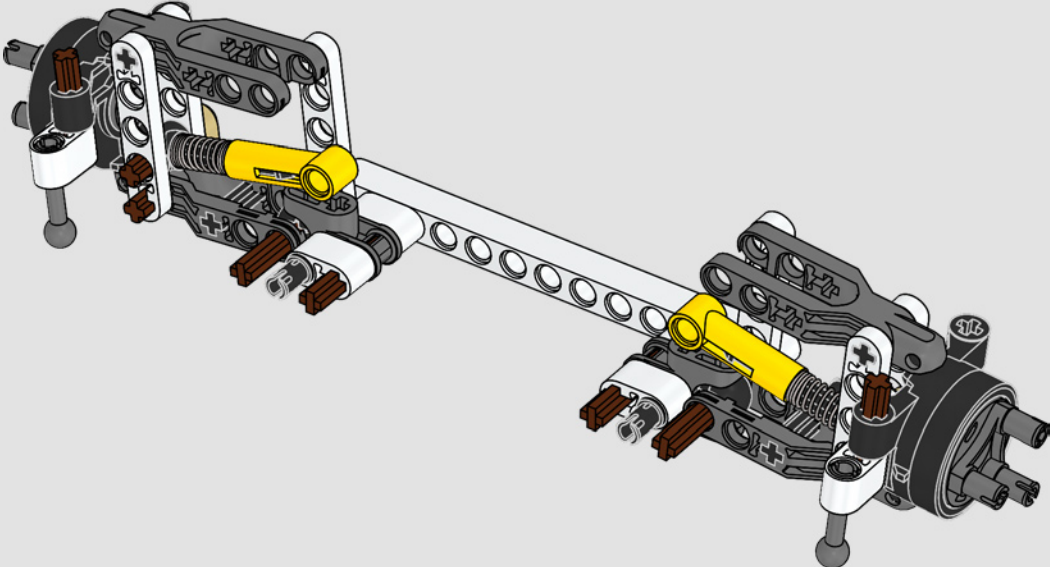


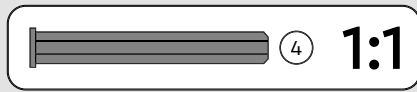
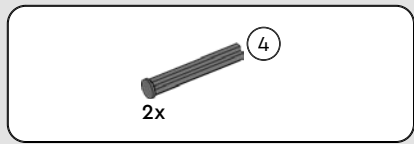
50



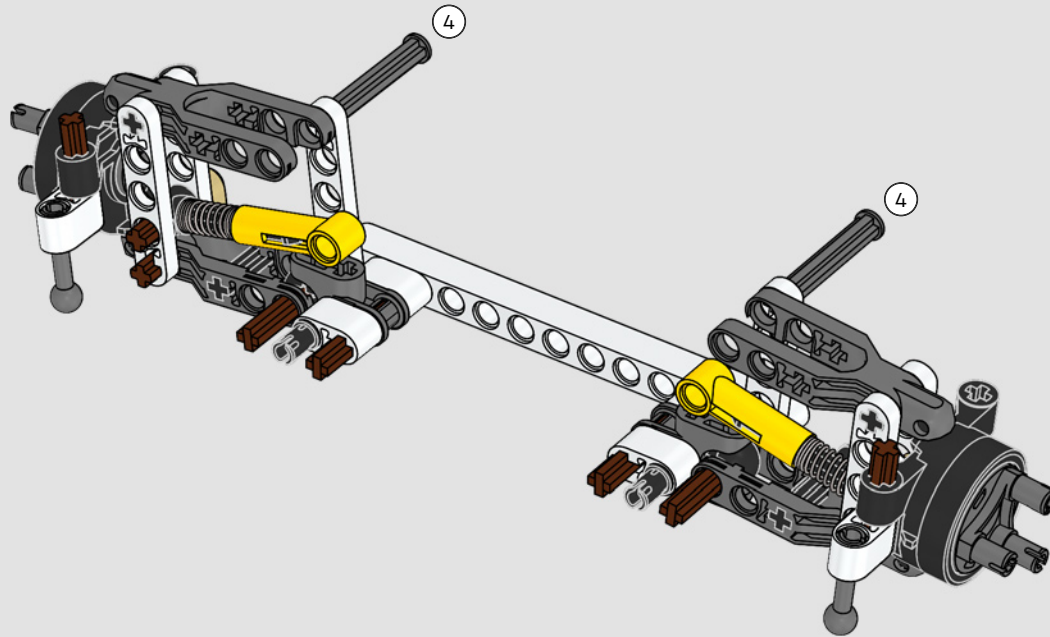


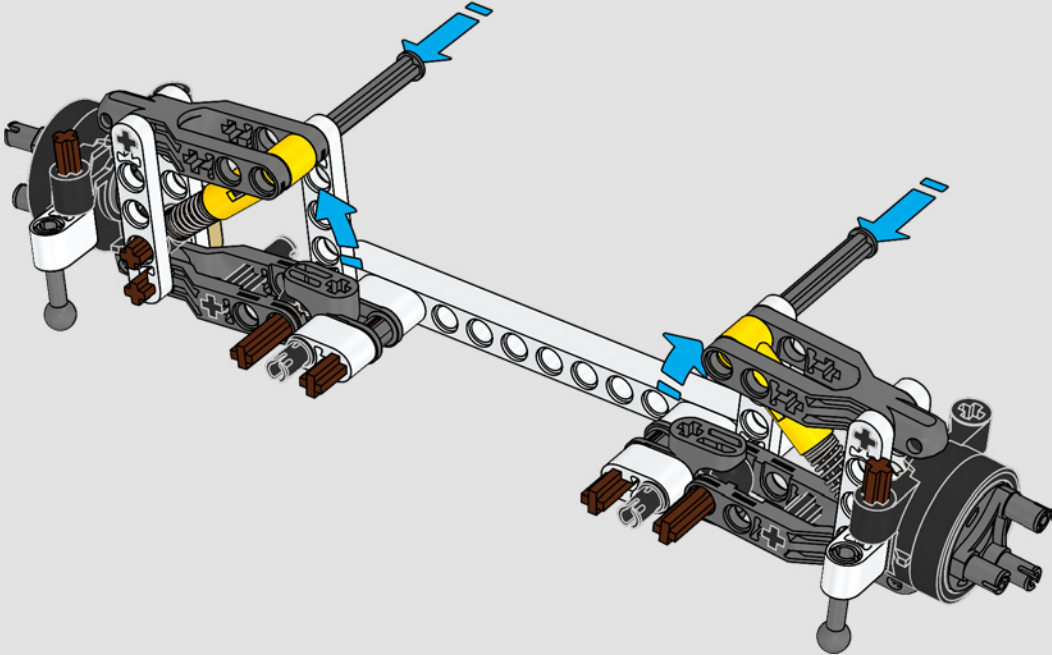
51

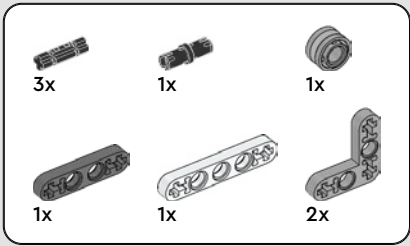




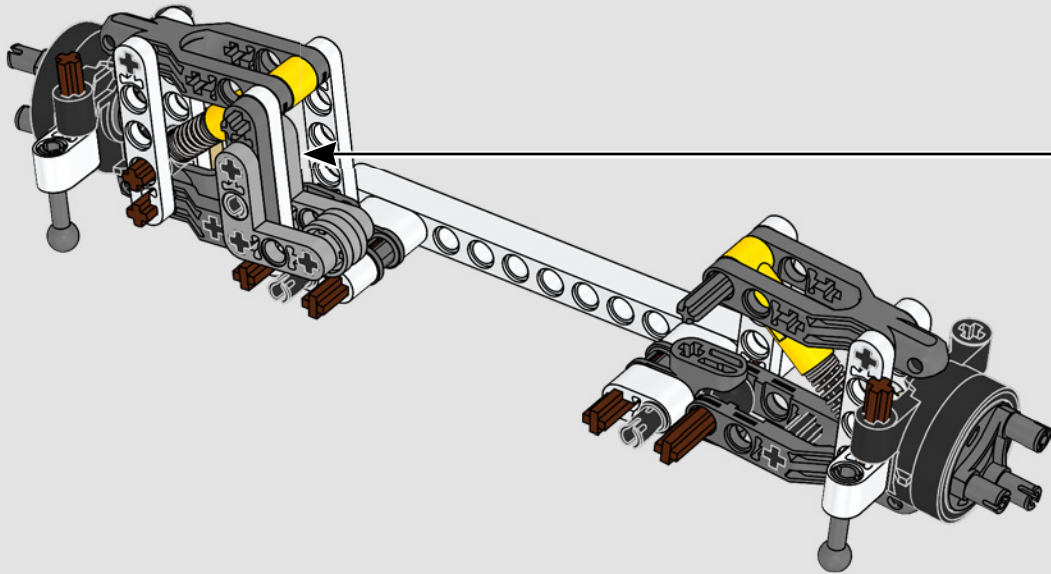
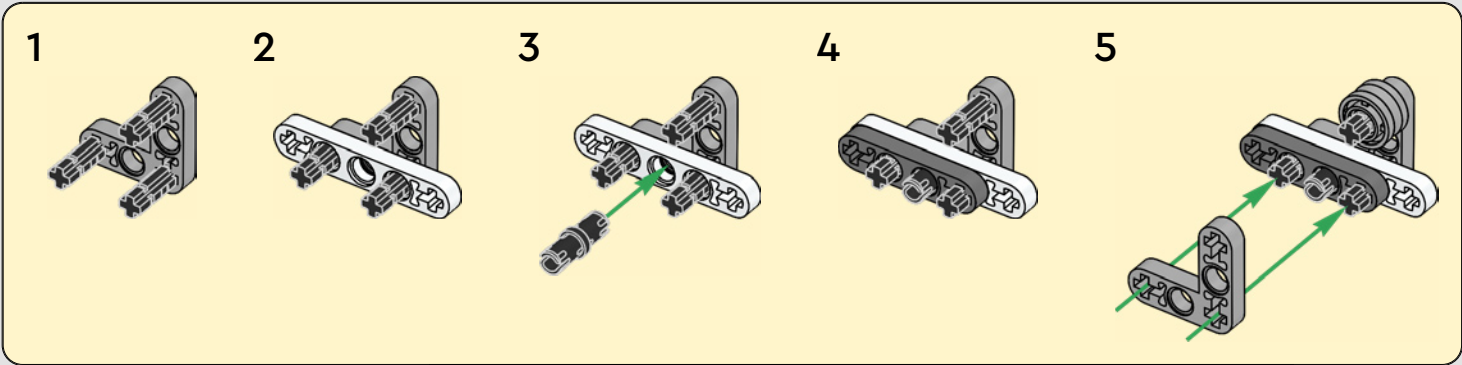
52

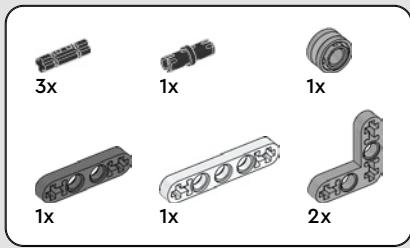




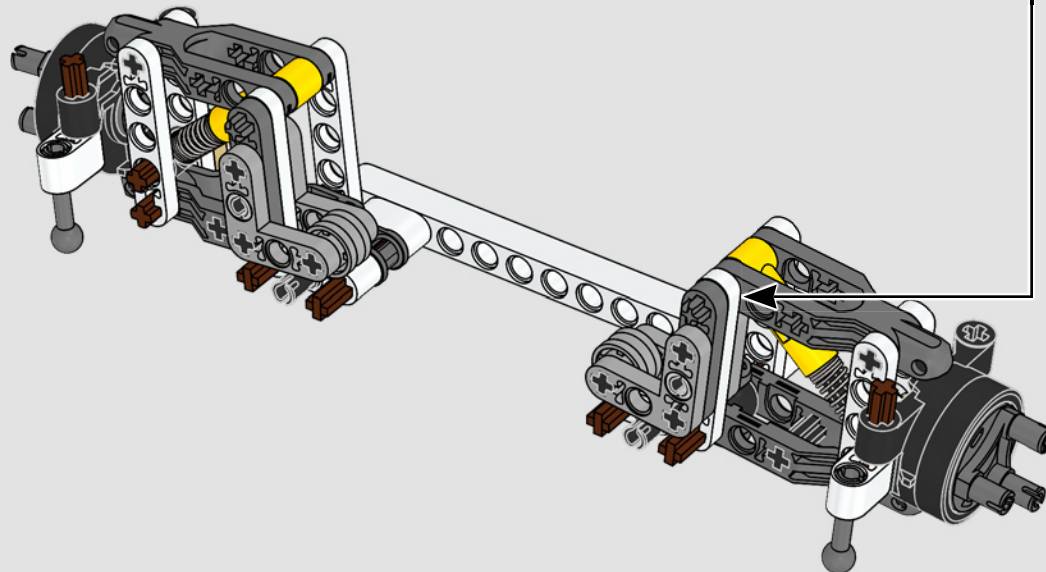
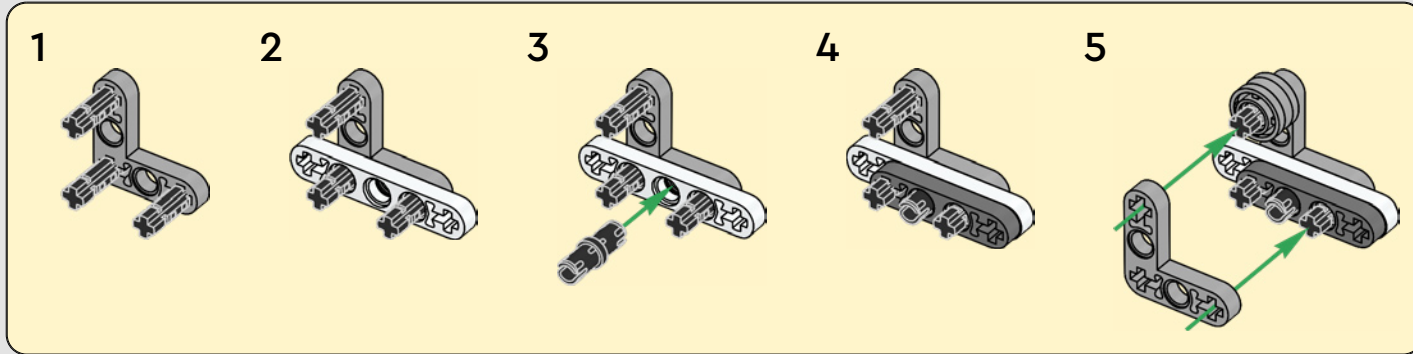


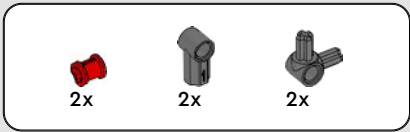
54



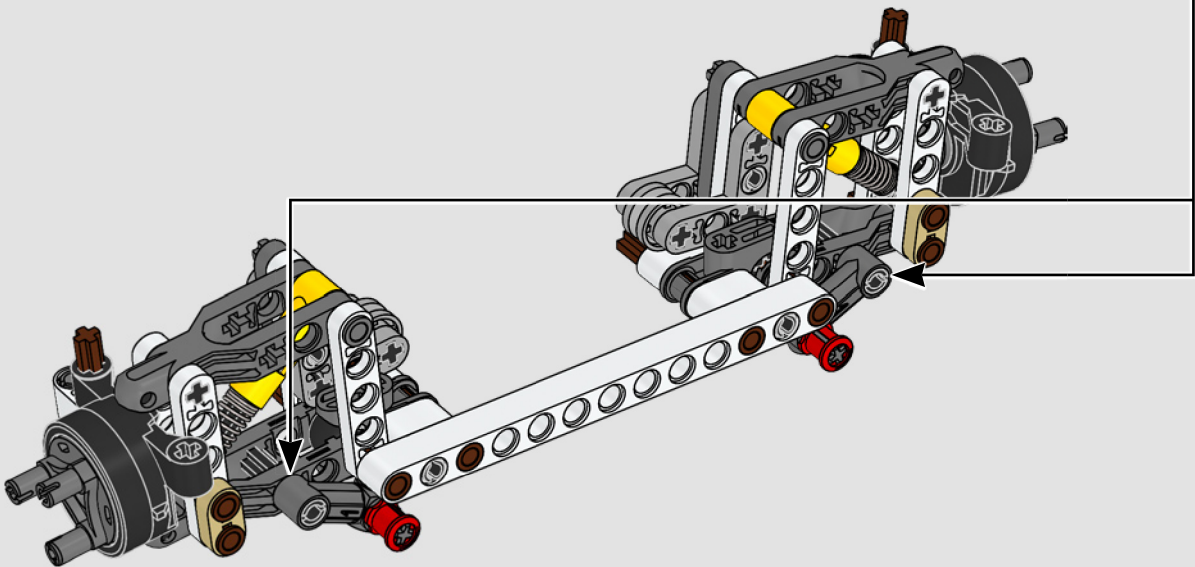
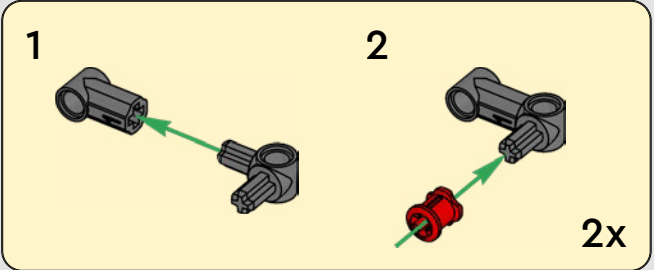


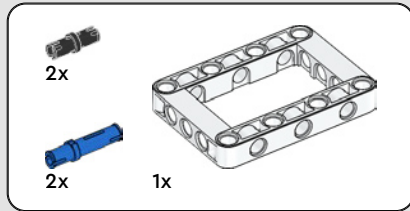
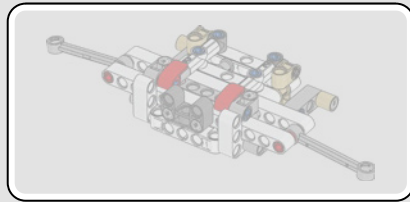
55



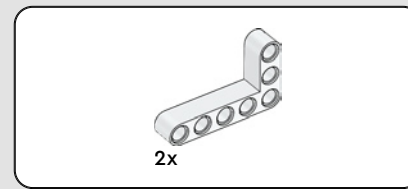
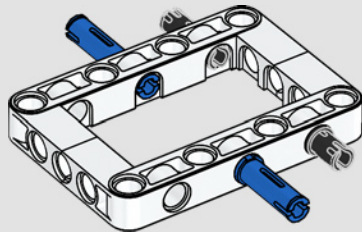


56

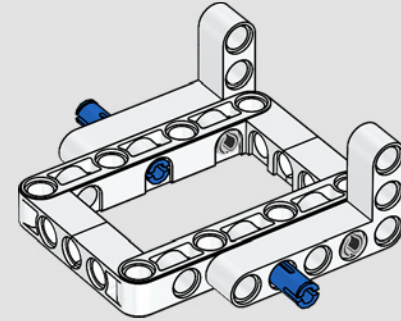




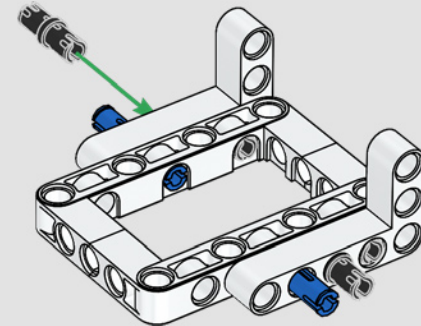
57

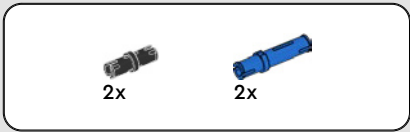


58

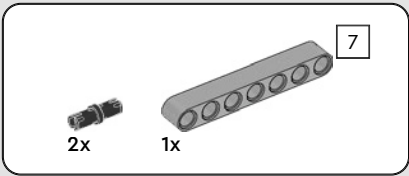
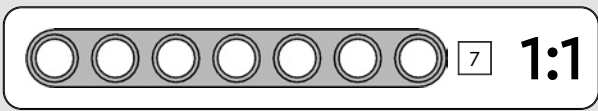
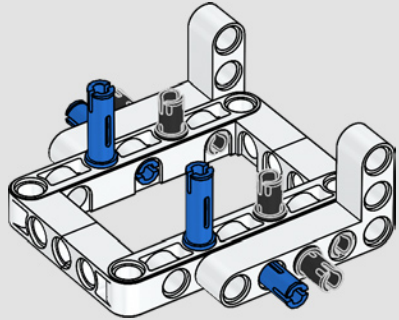


59

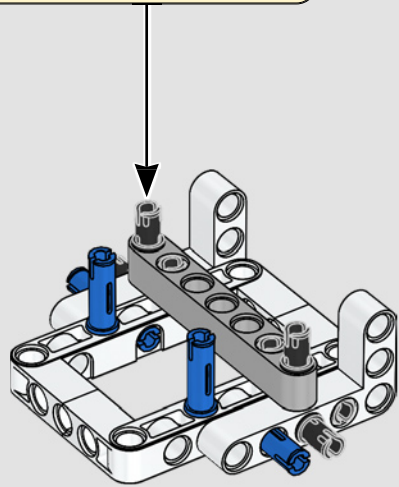
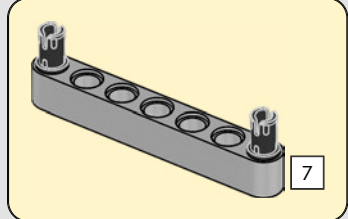


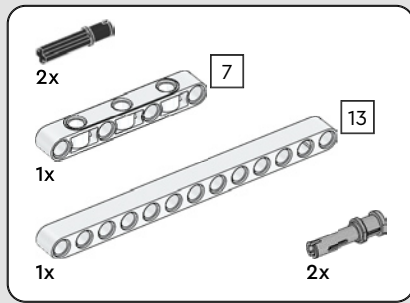


60

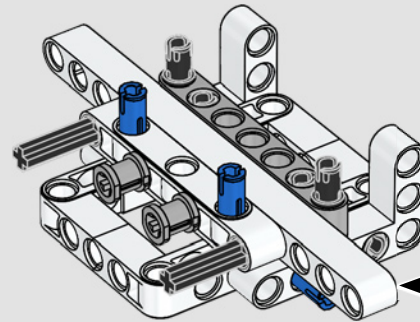
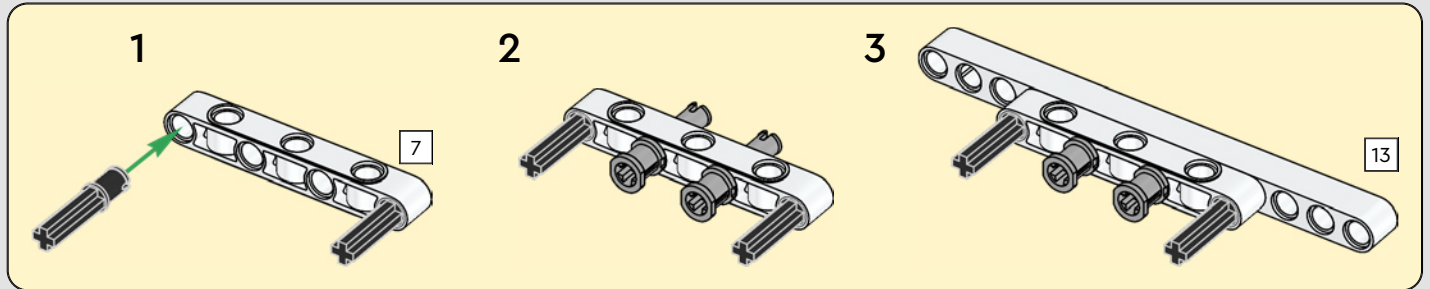
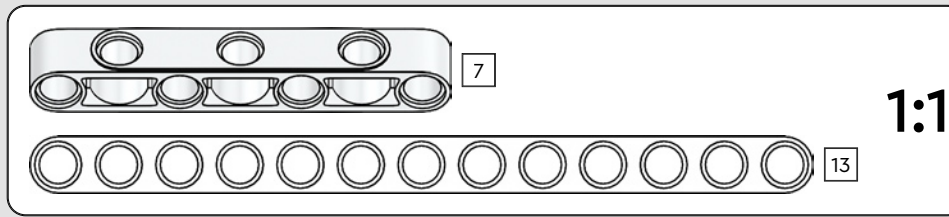


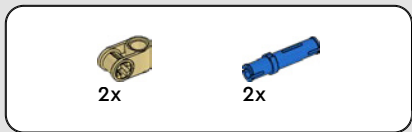
61



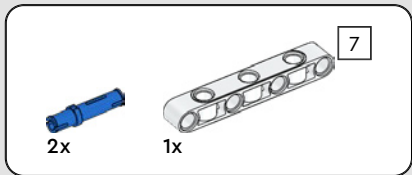
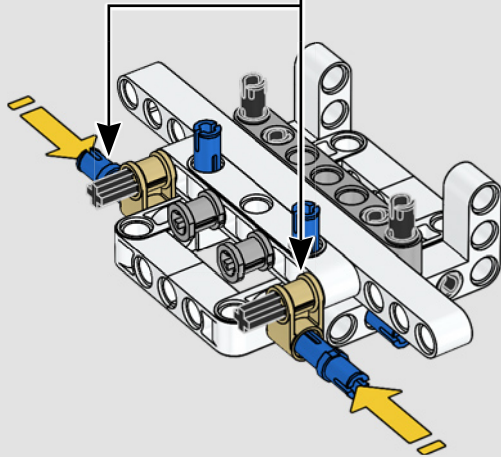
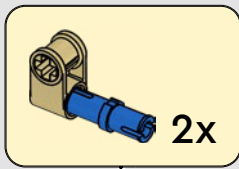


62

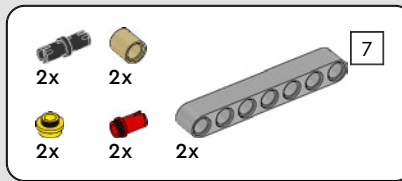
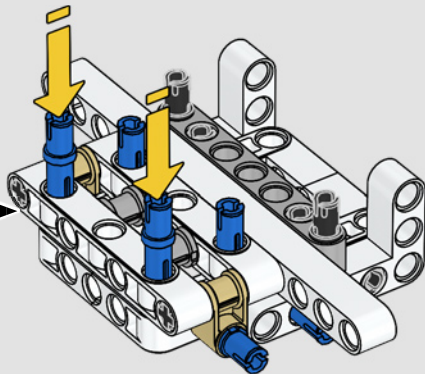
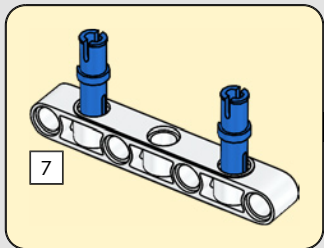




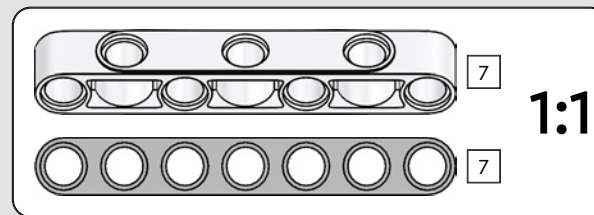
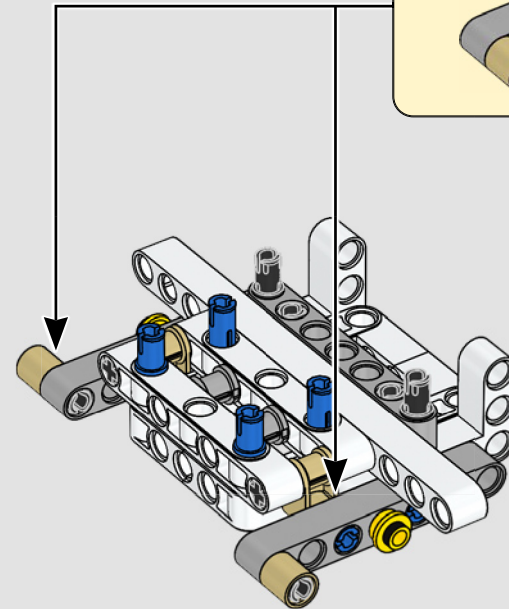
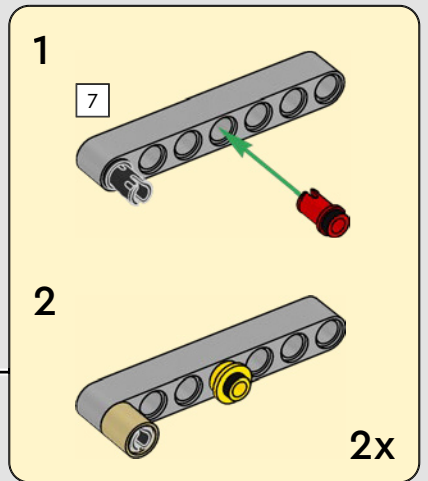
63

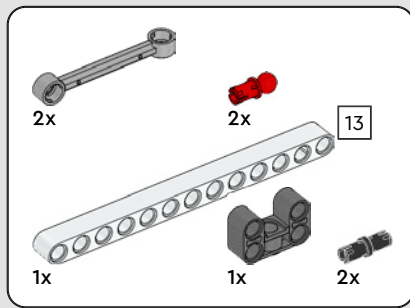


64

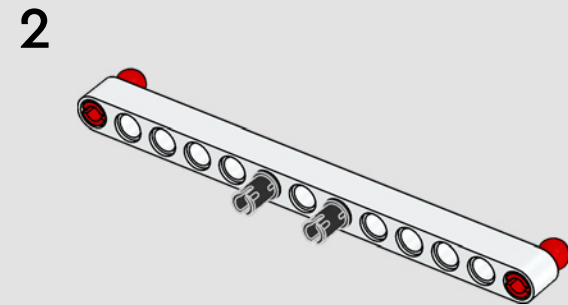
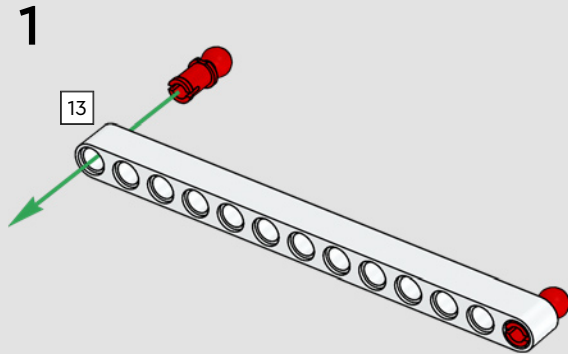


65

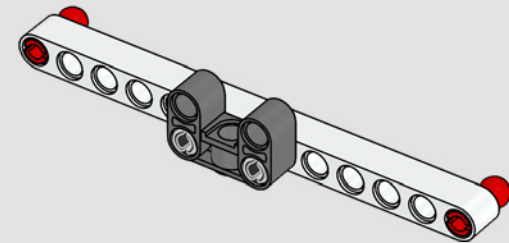




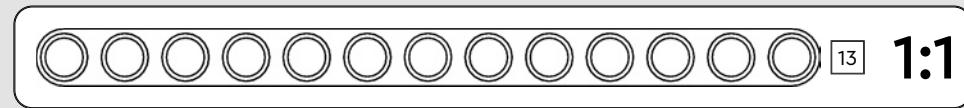
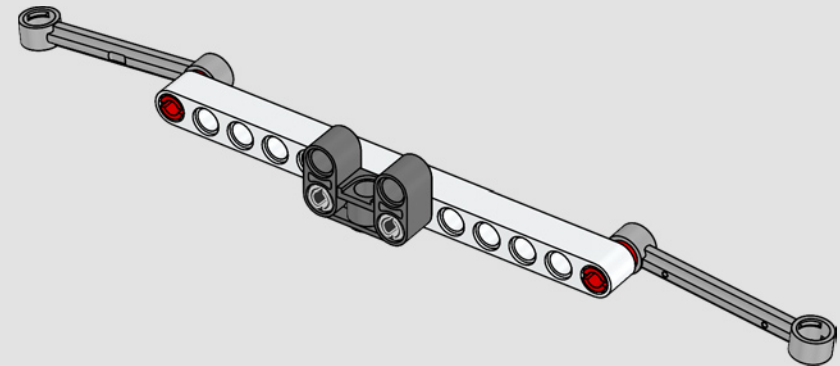
66

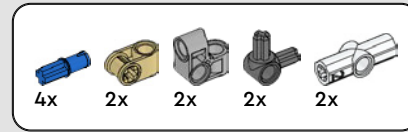
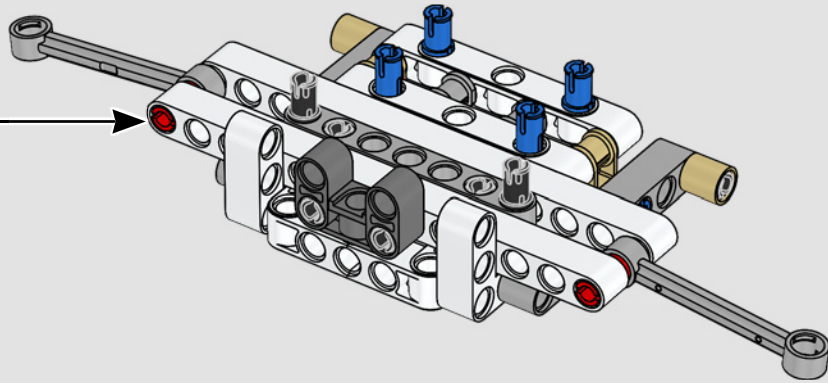


3

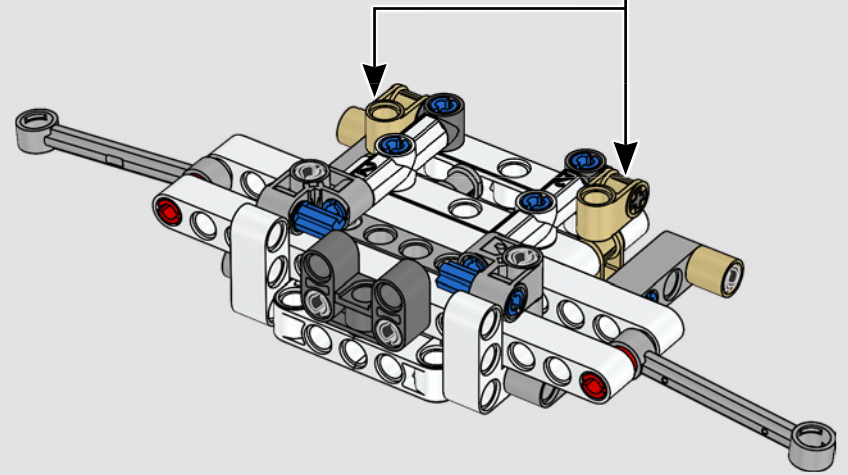
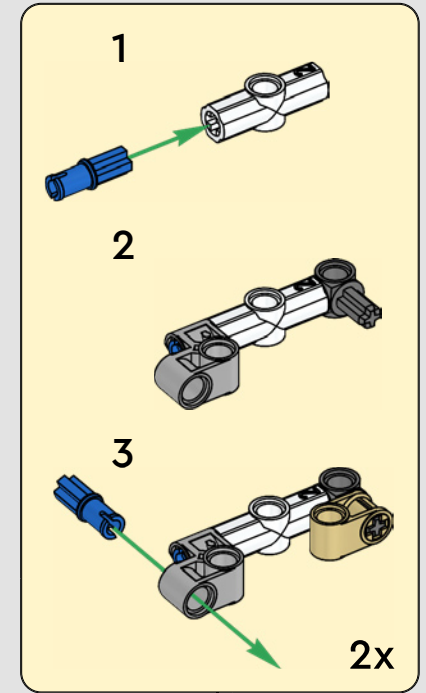


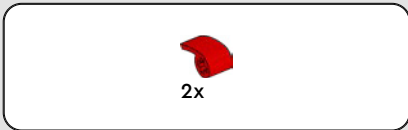
4



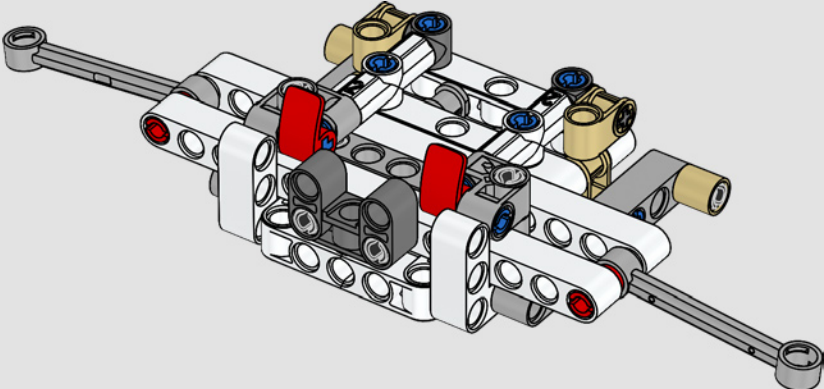


67

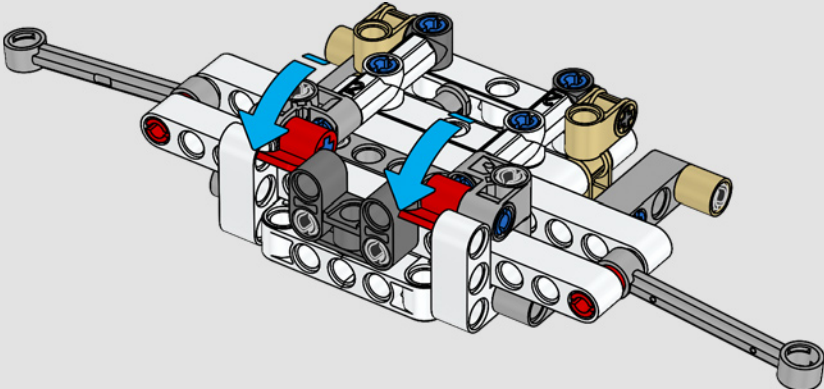


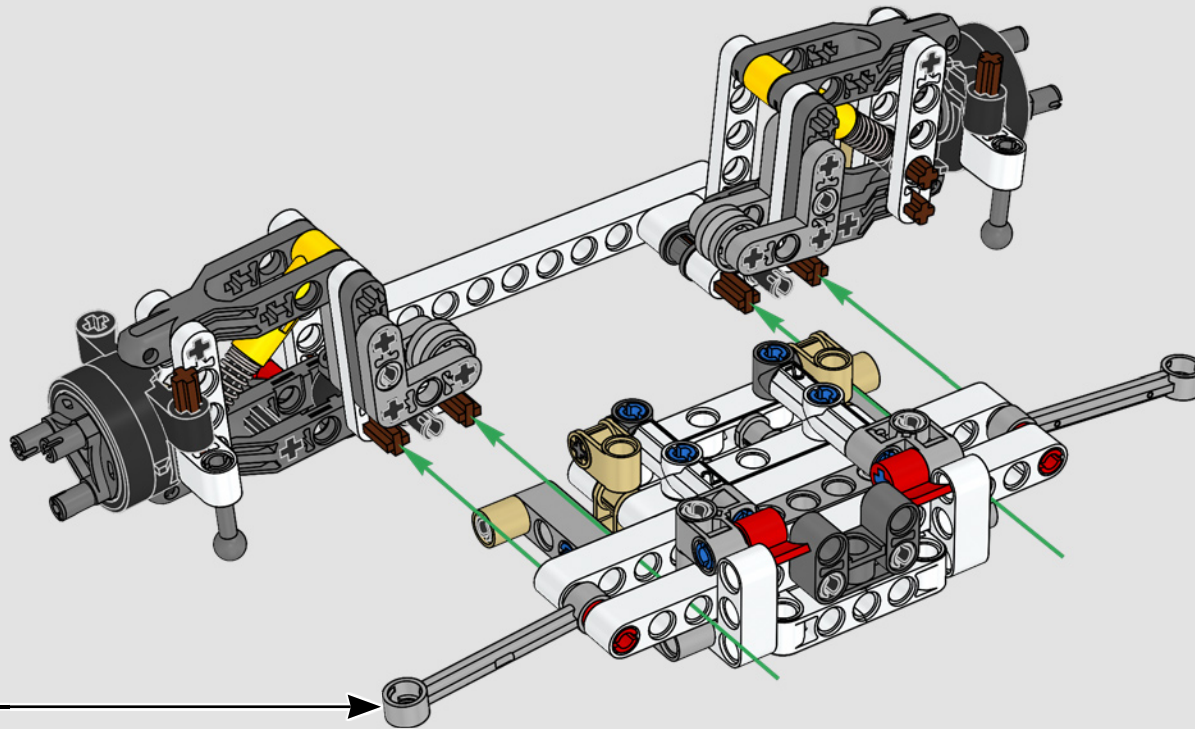


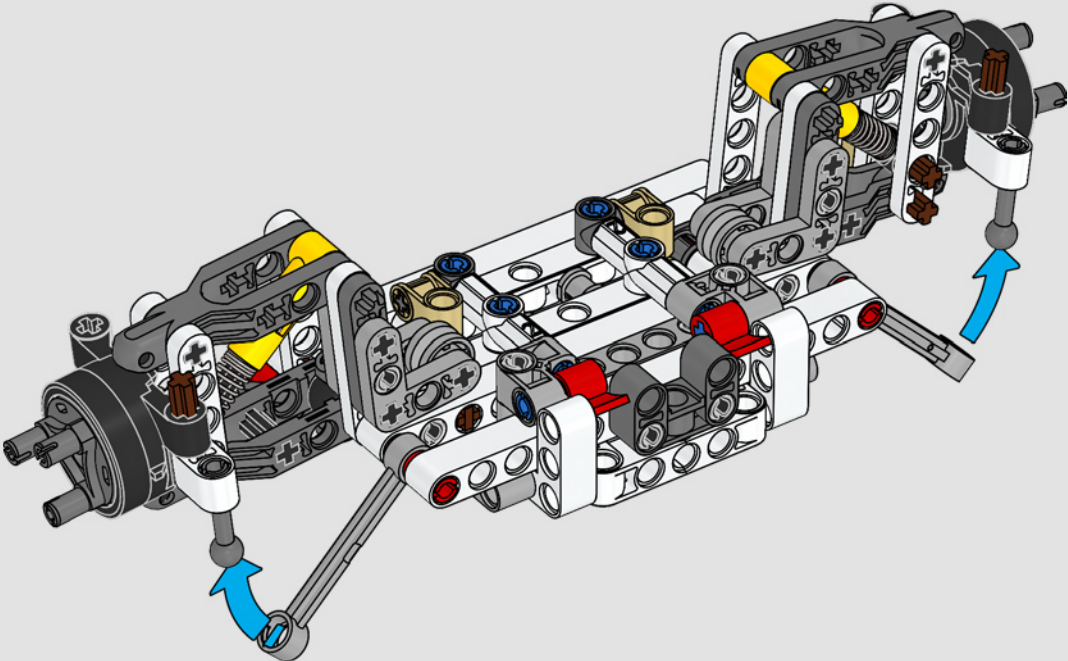
68

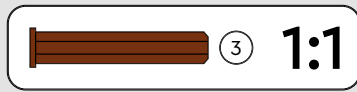
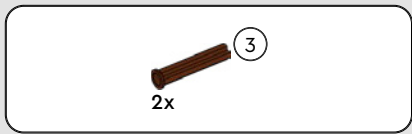


69

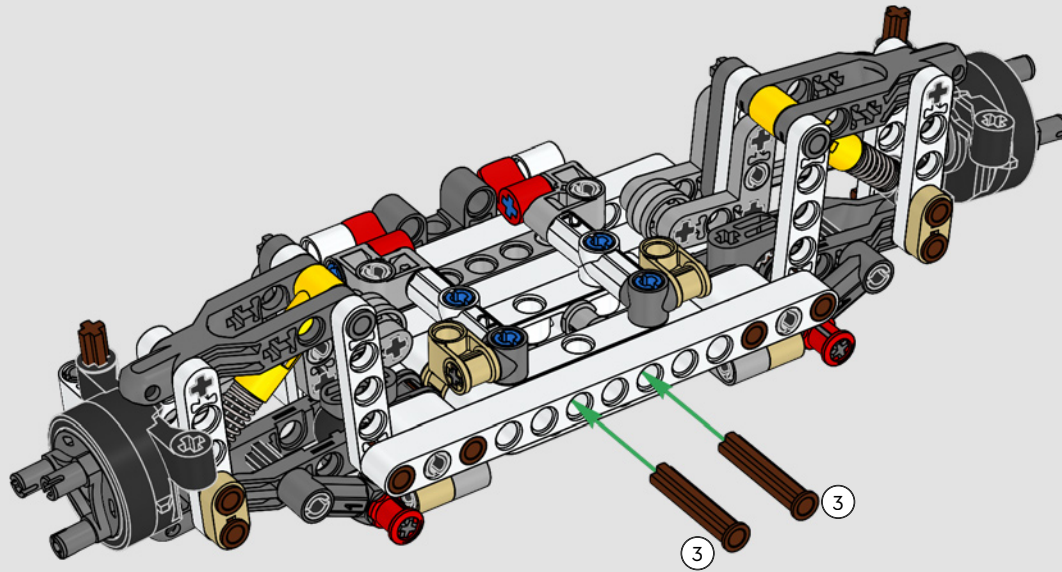






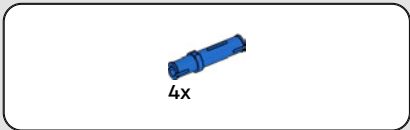


72

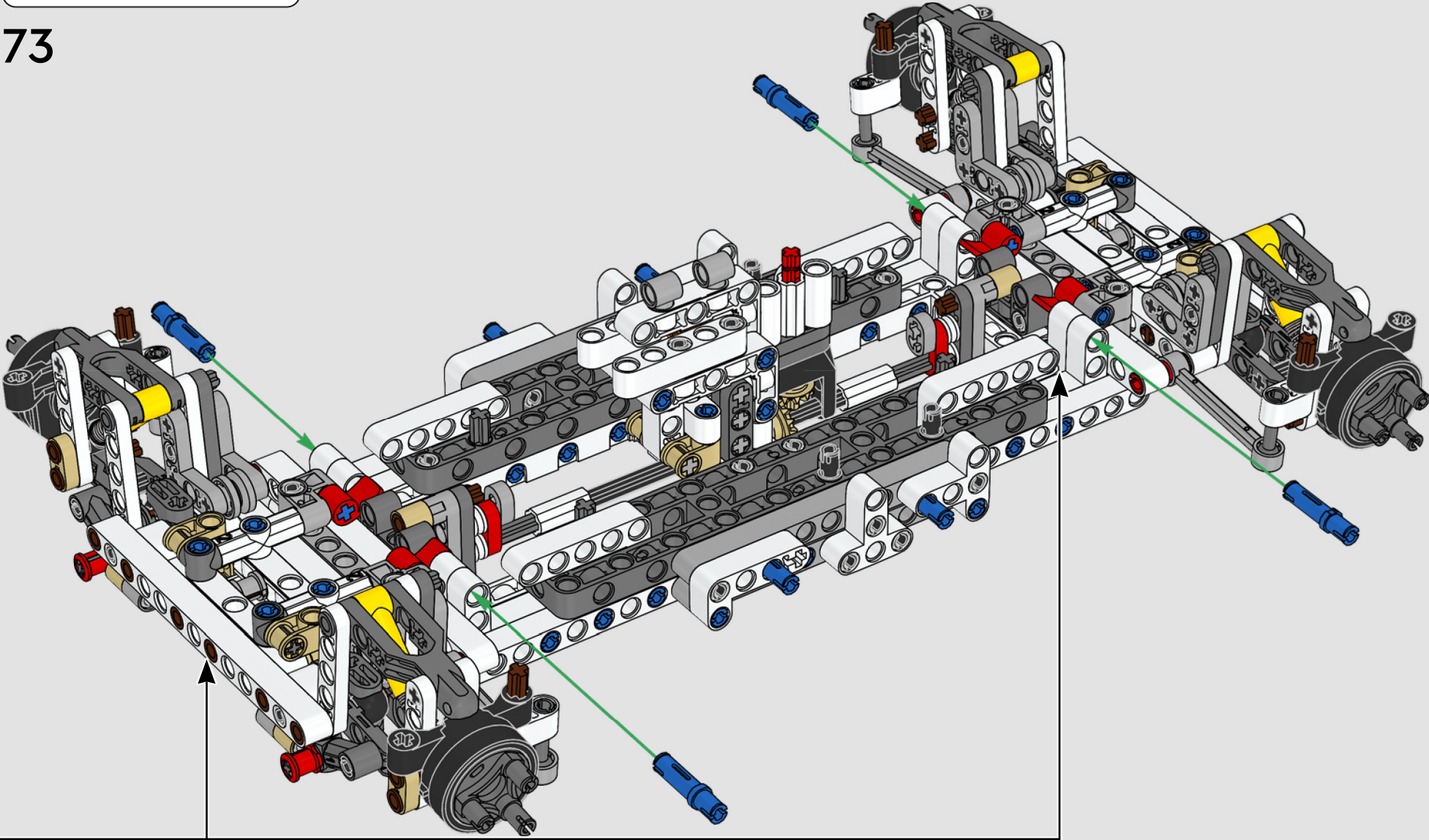


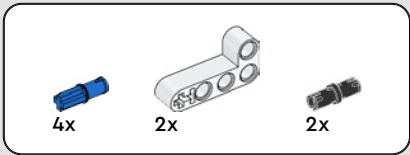
2x



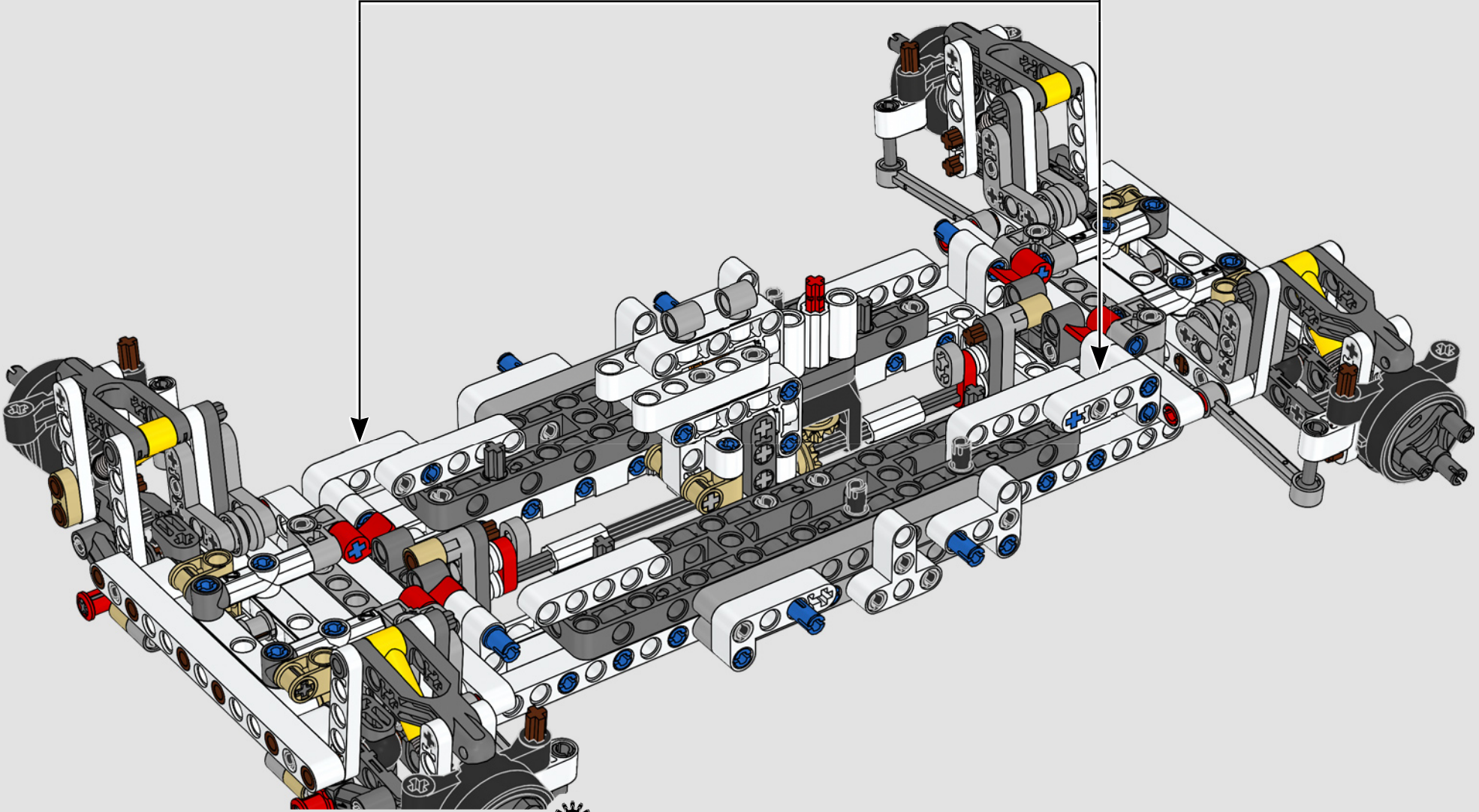
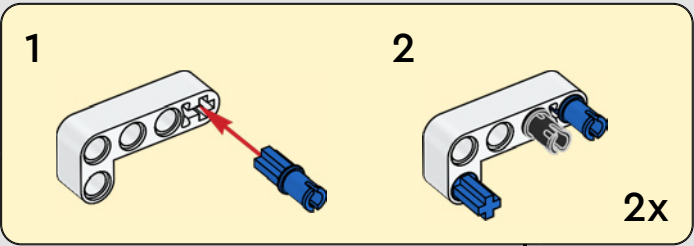


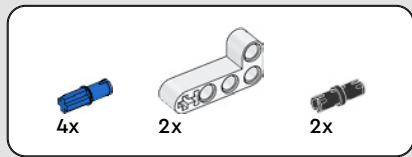
73



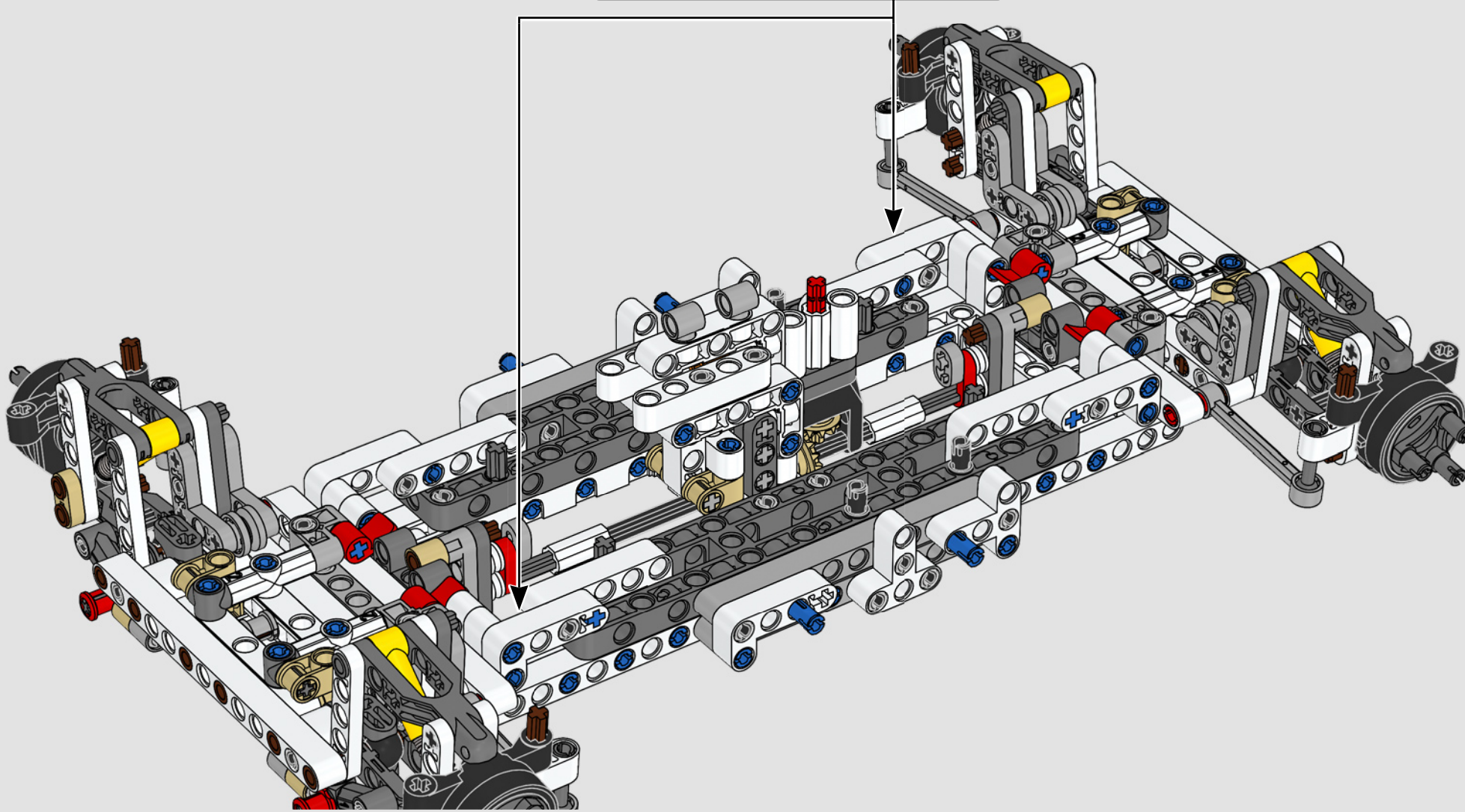
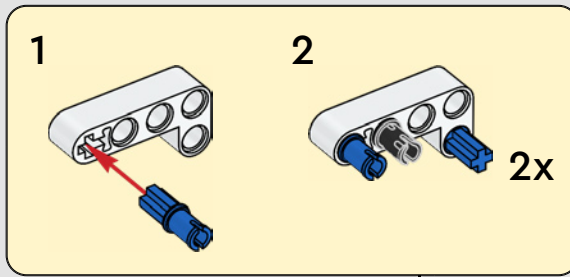


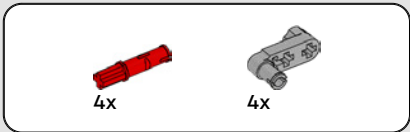
74



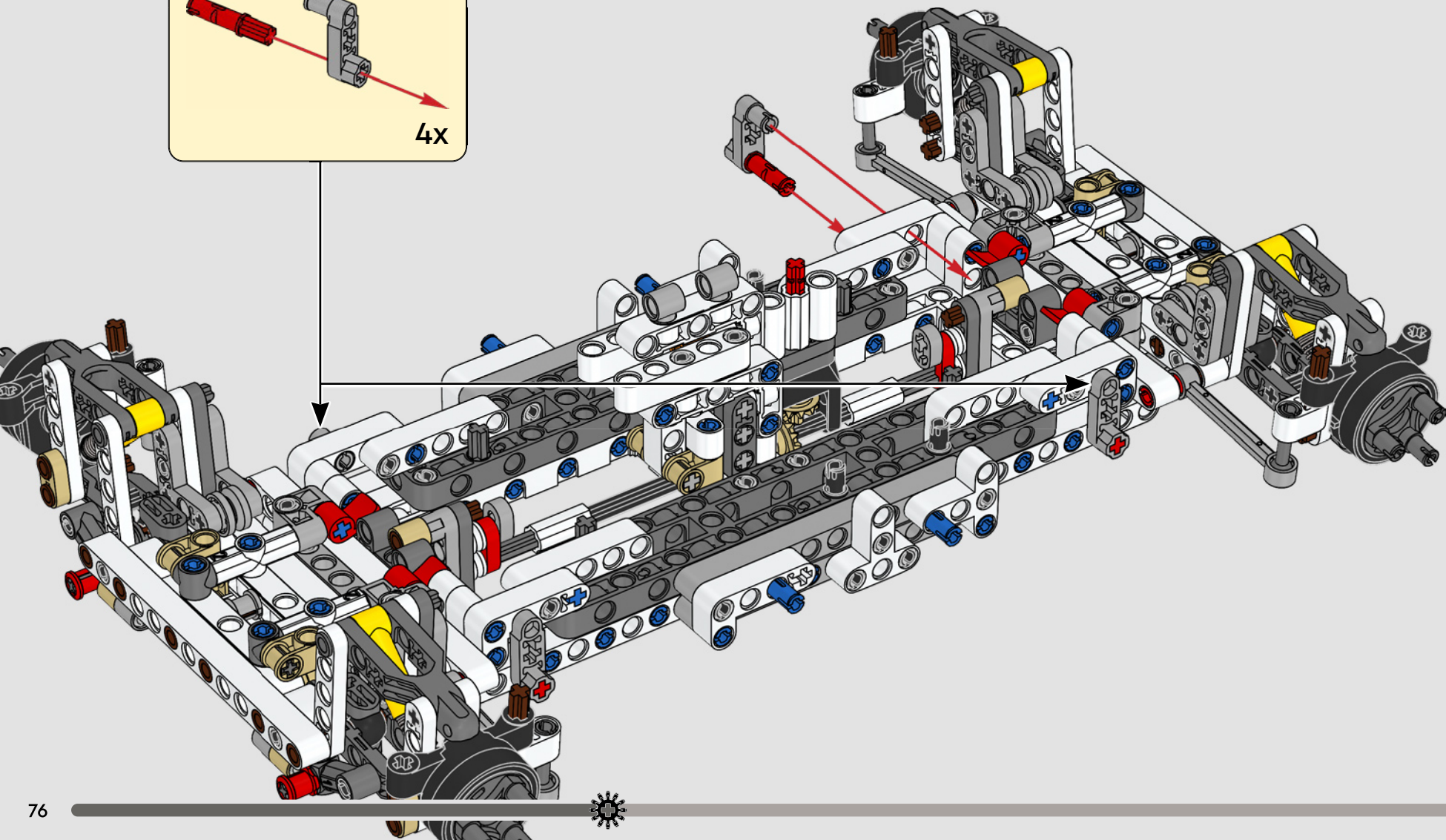
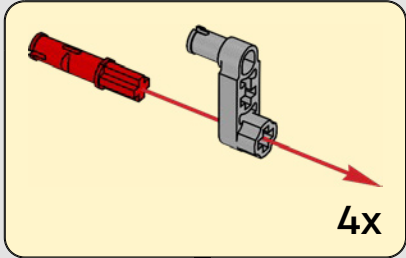


75

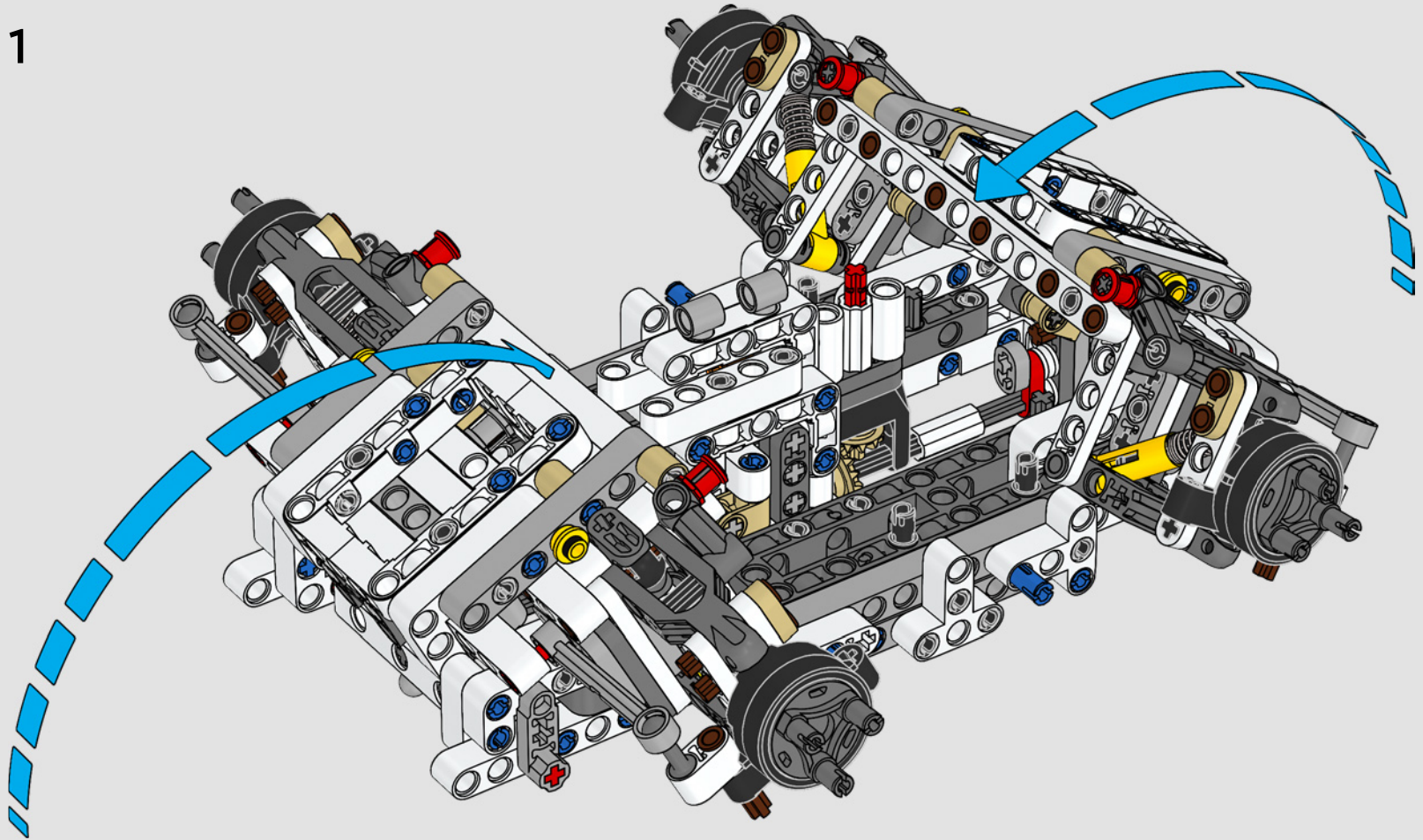




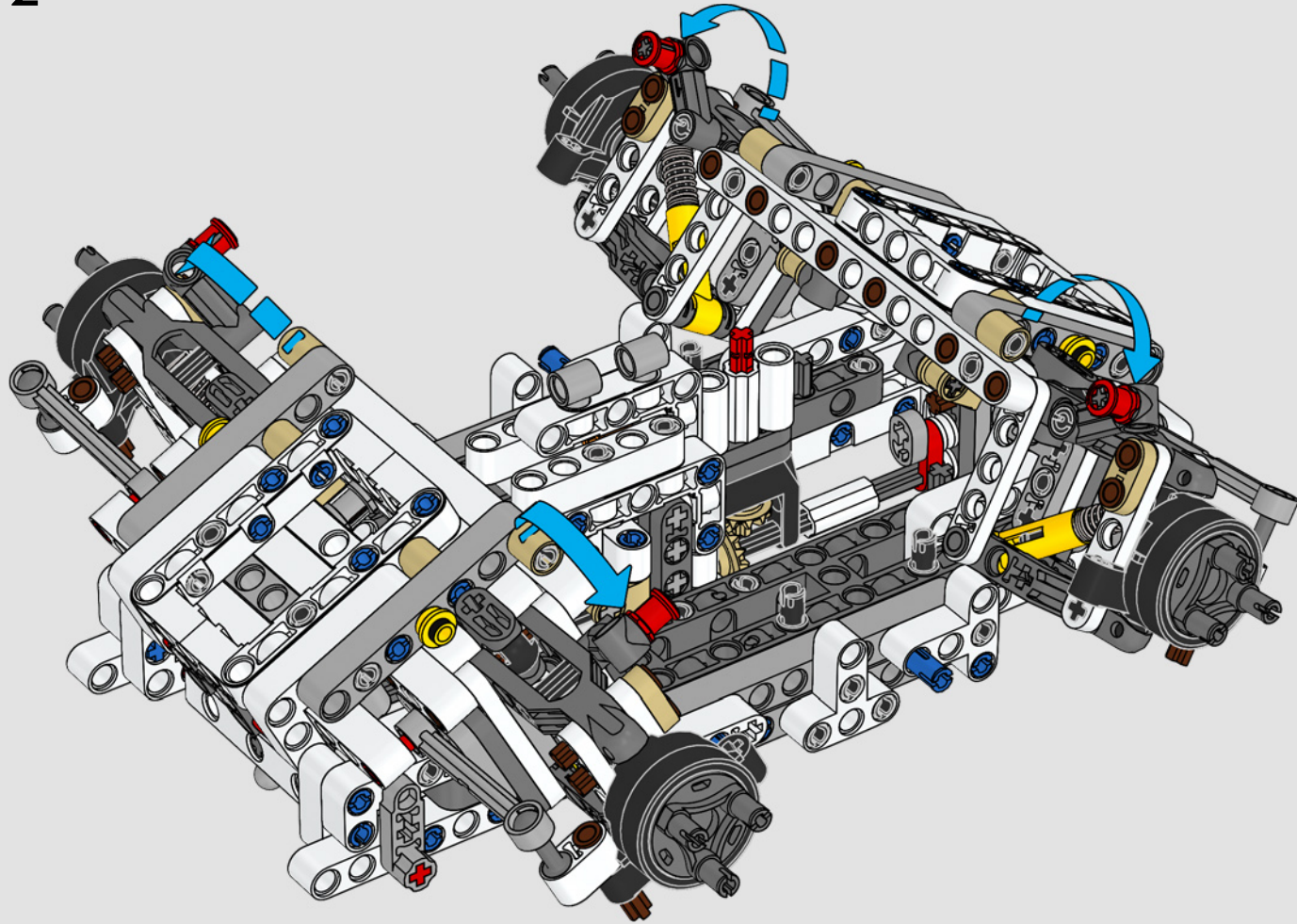
76



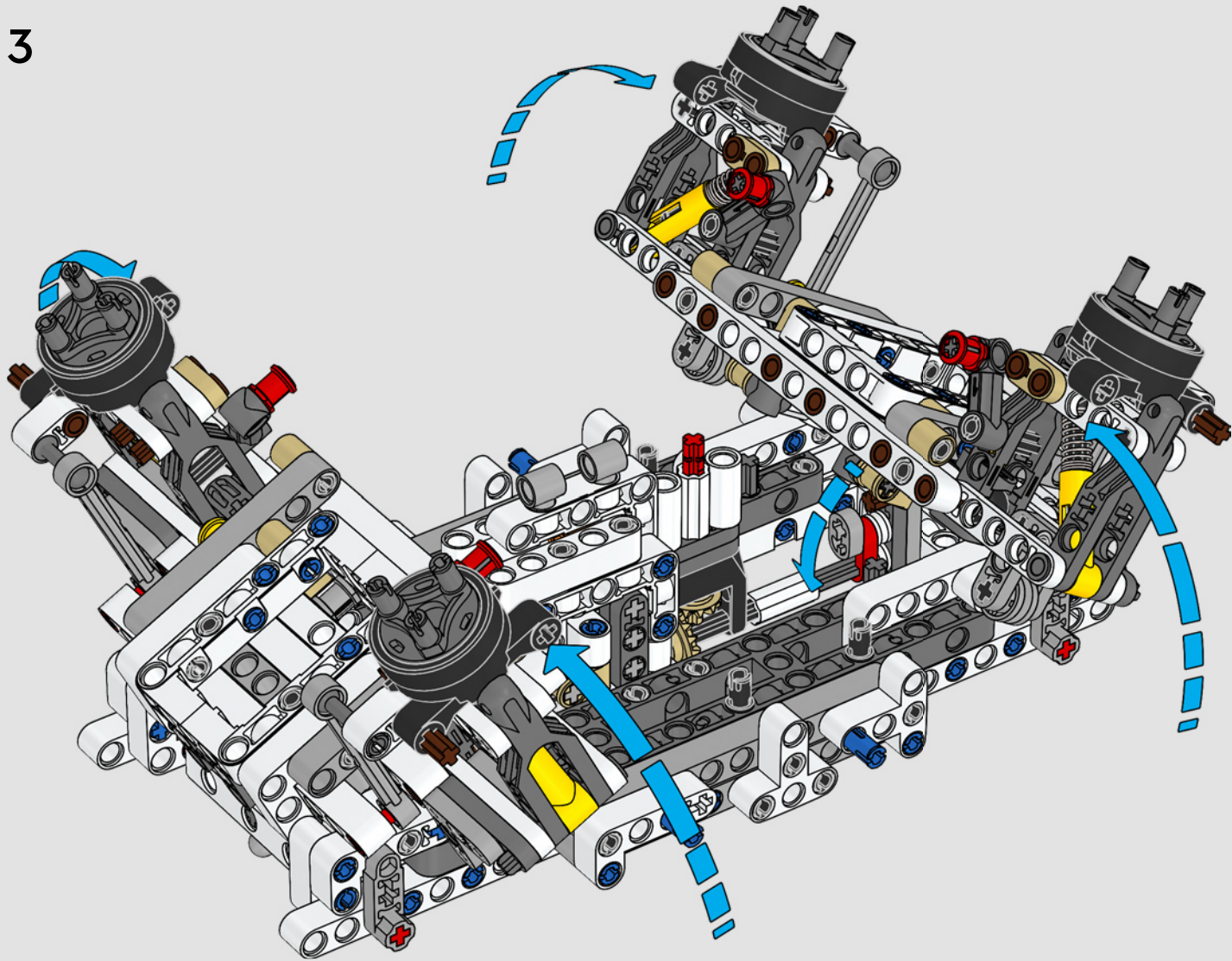
1



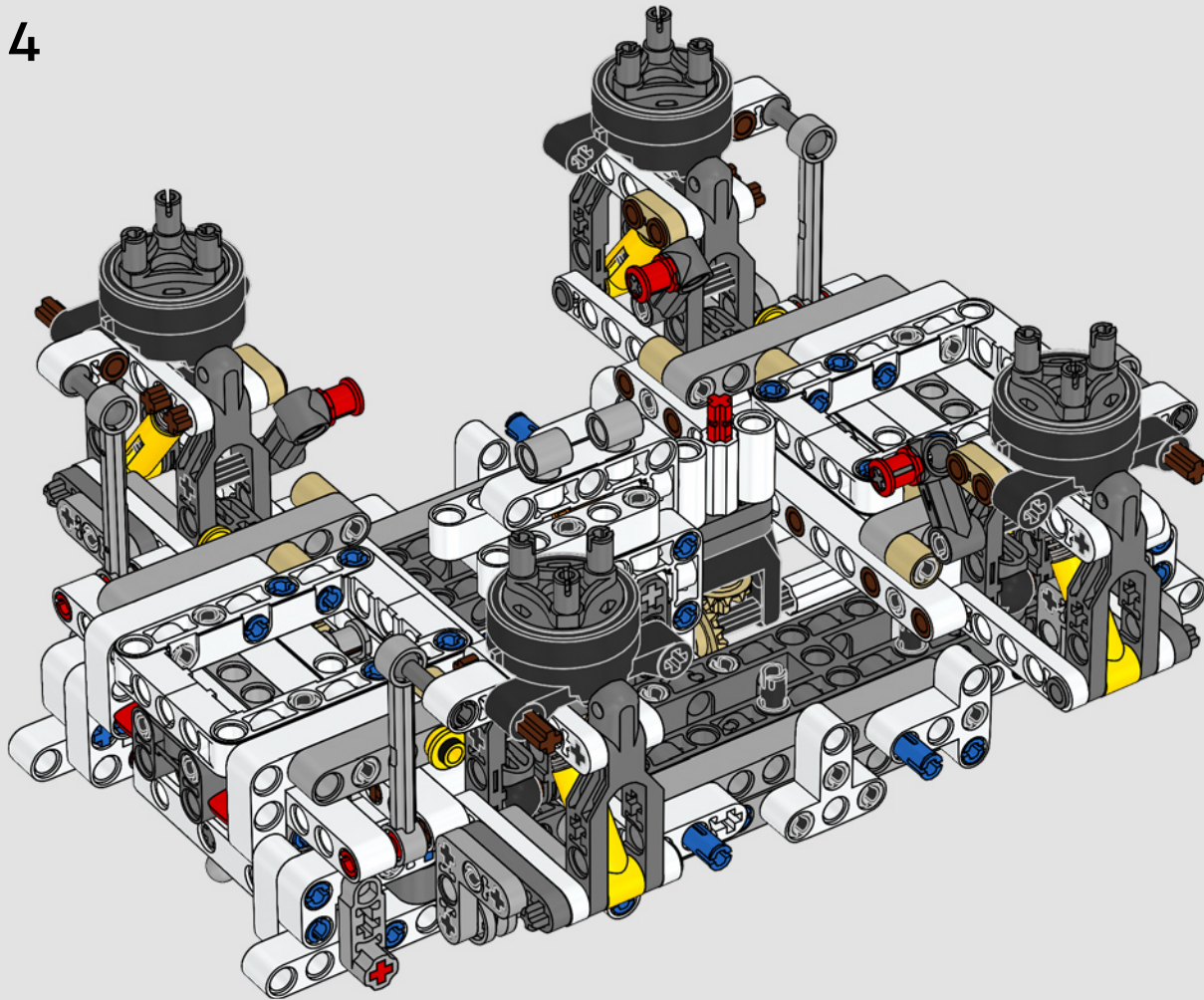
2



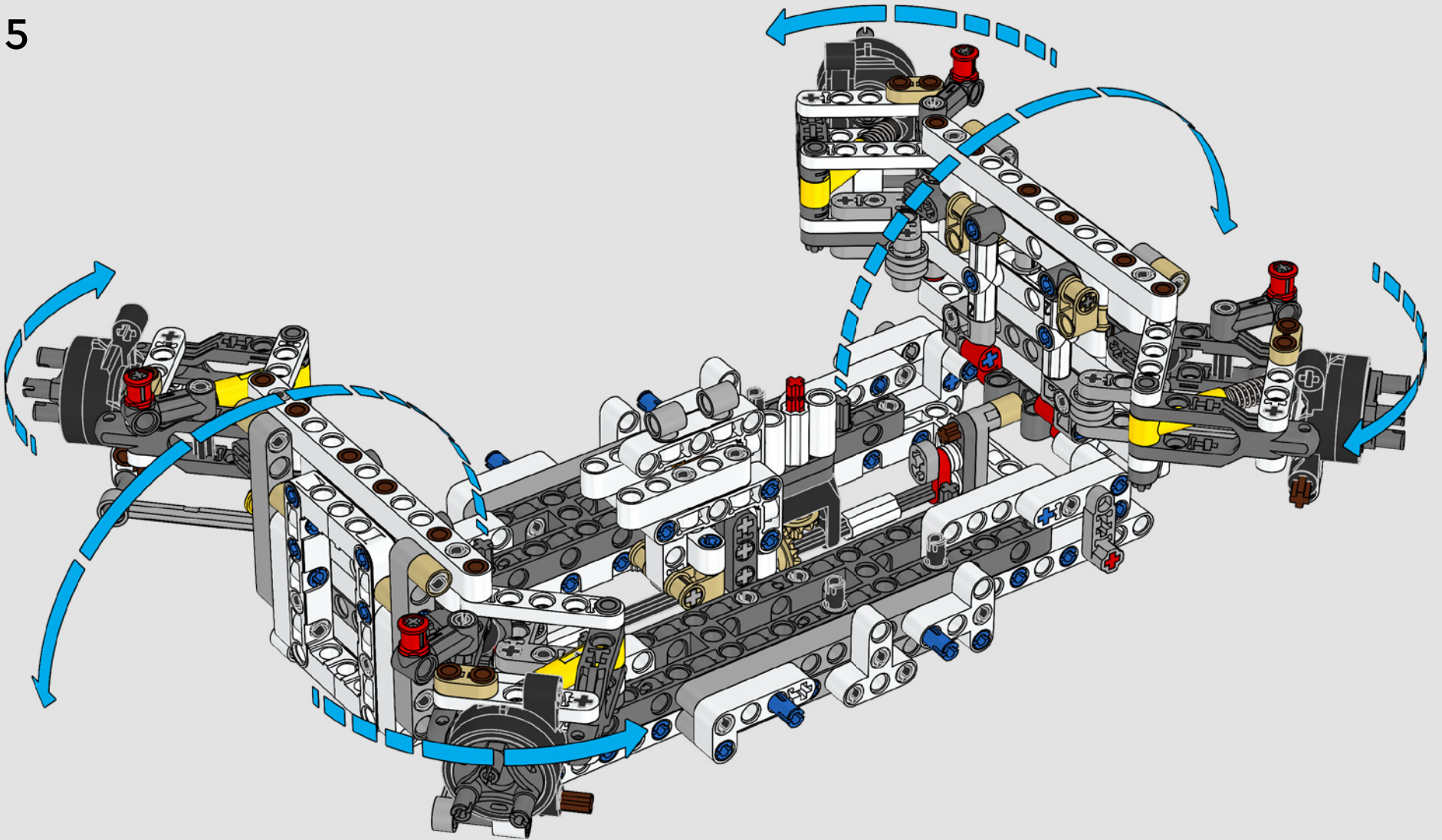
3



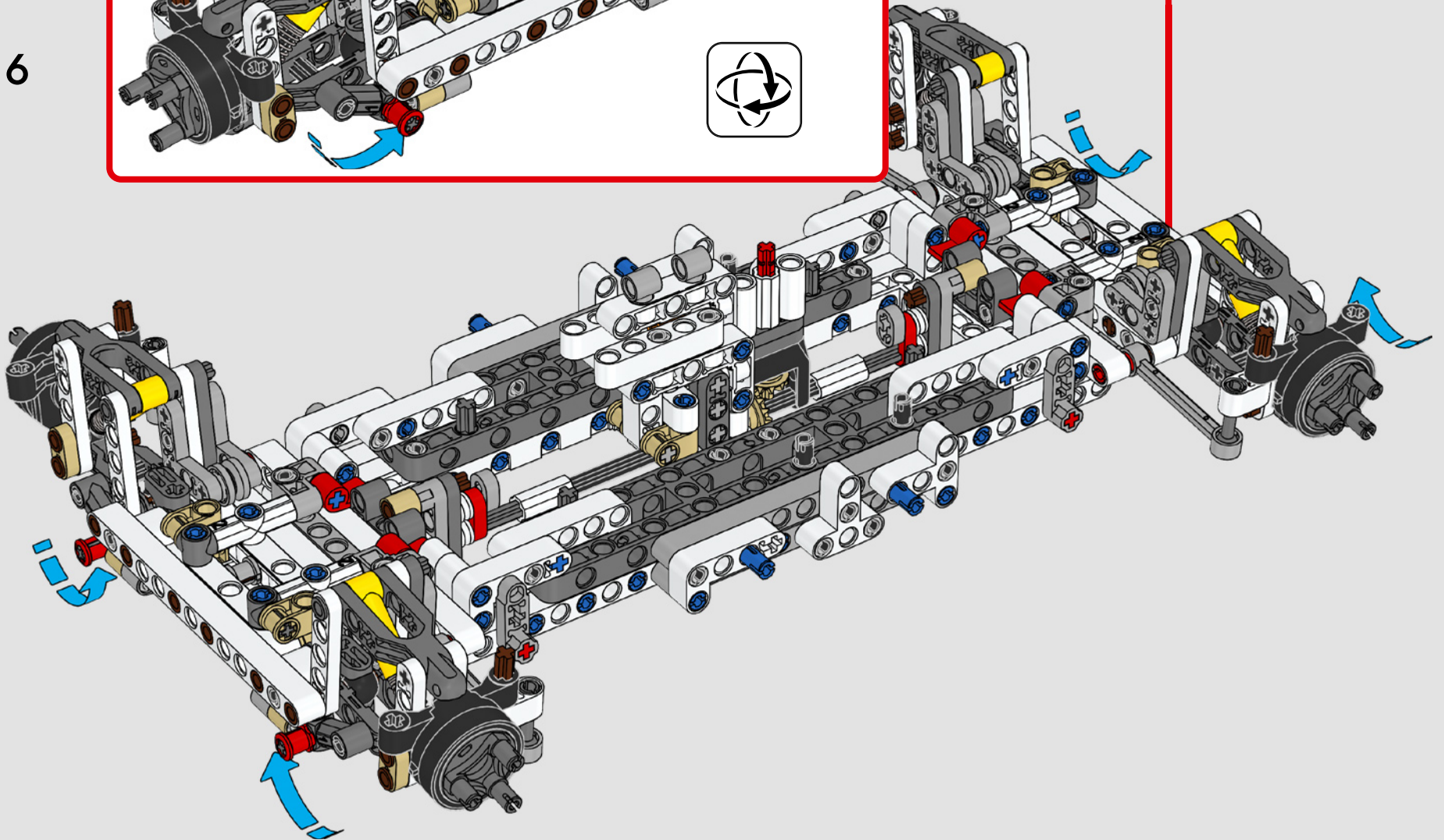
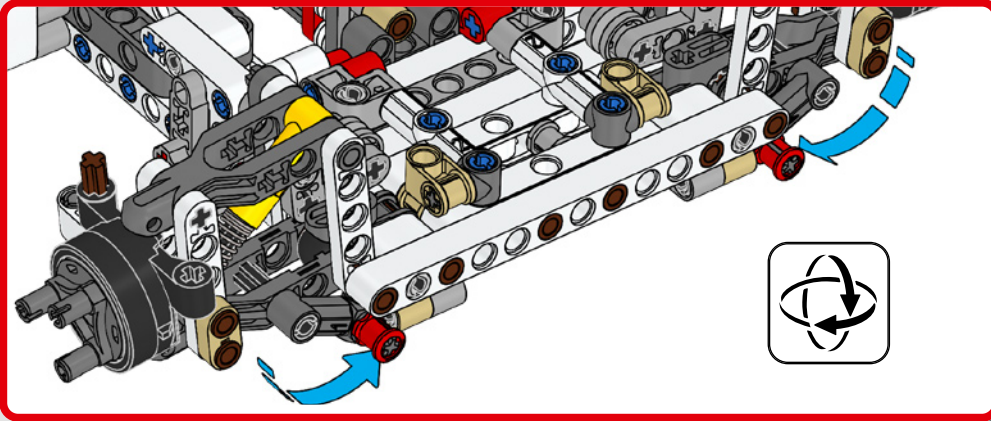
4

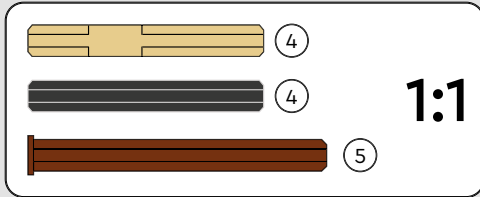
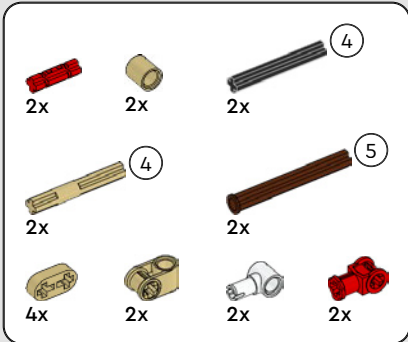


5

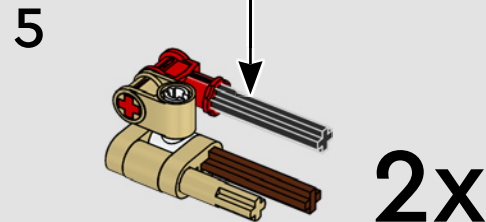
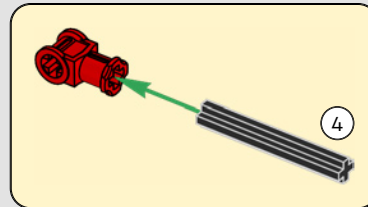
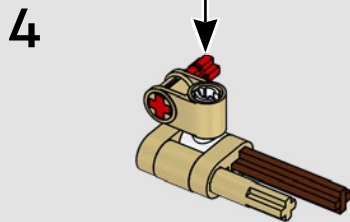
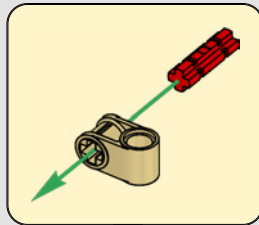
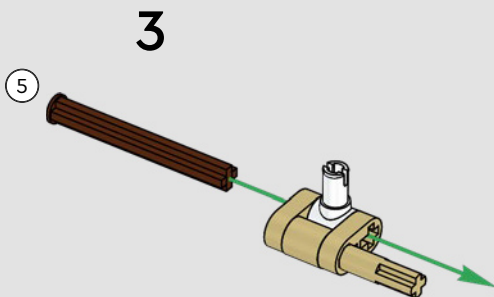
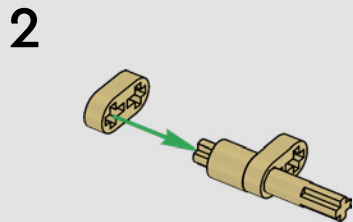
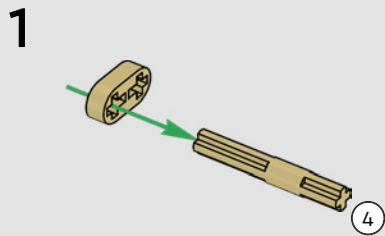


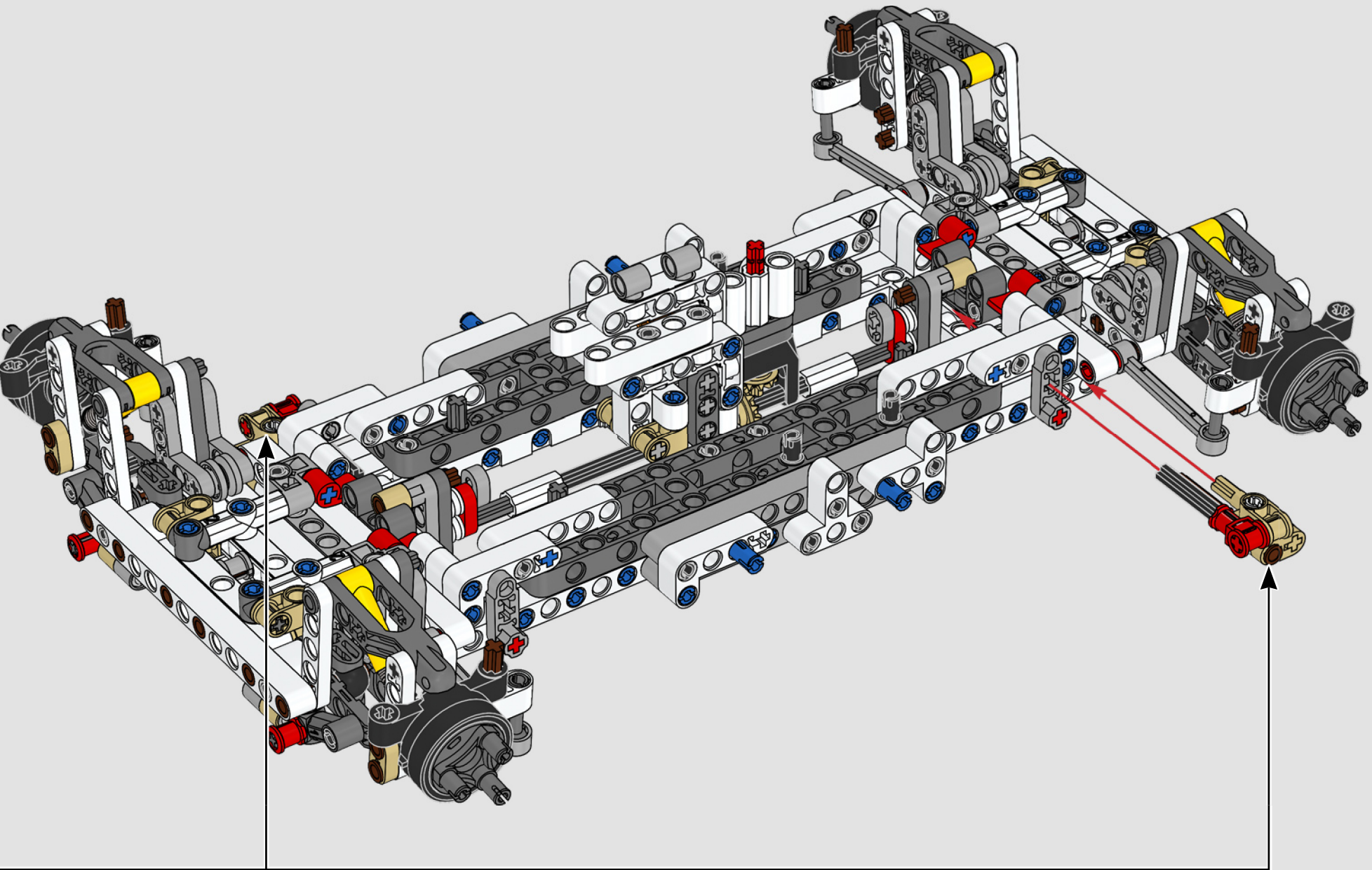
6

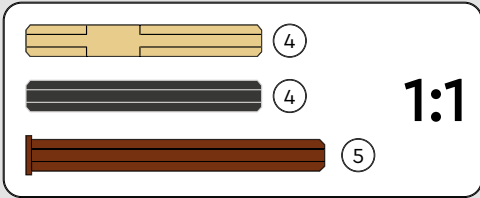
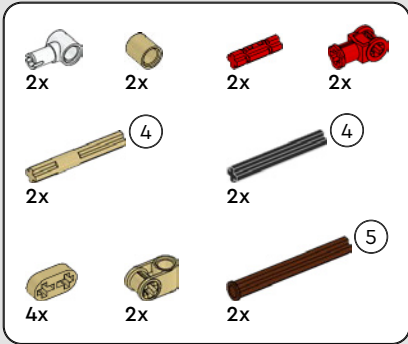




77

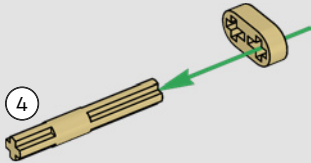




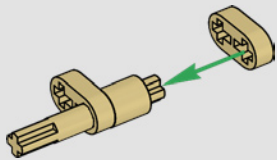


78

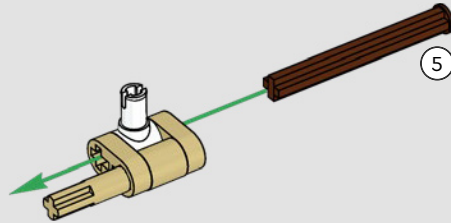
1



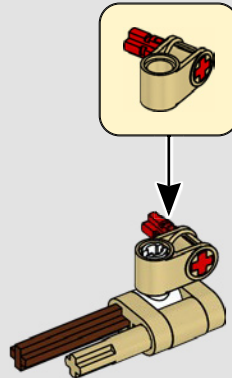
2



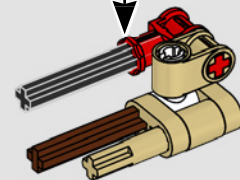
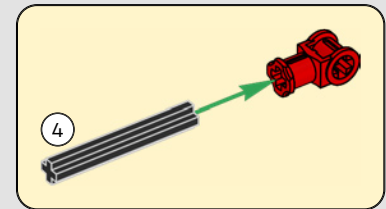
3



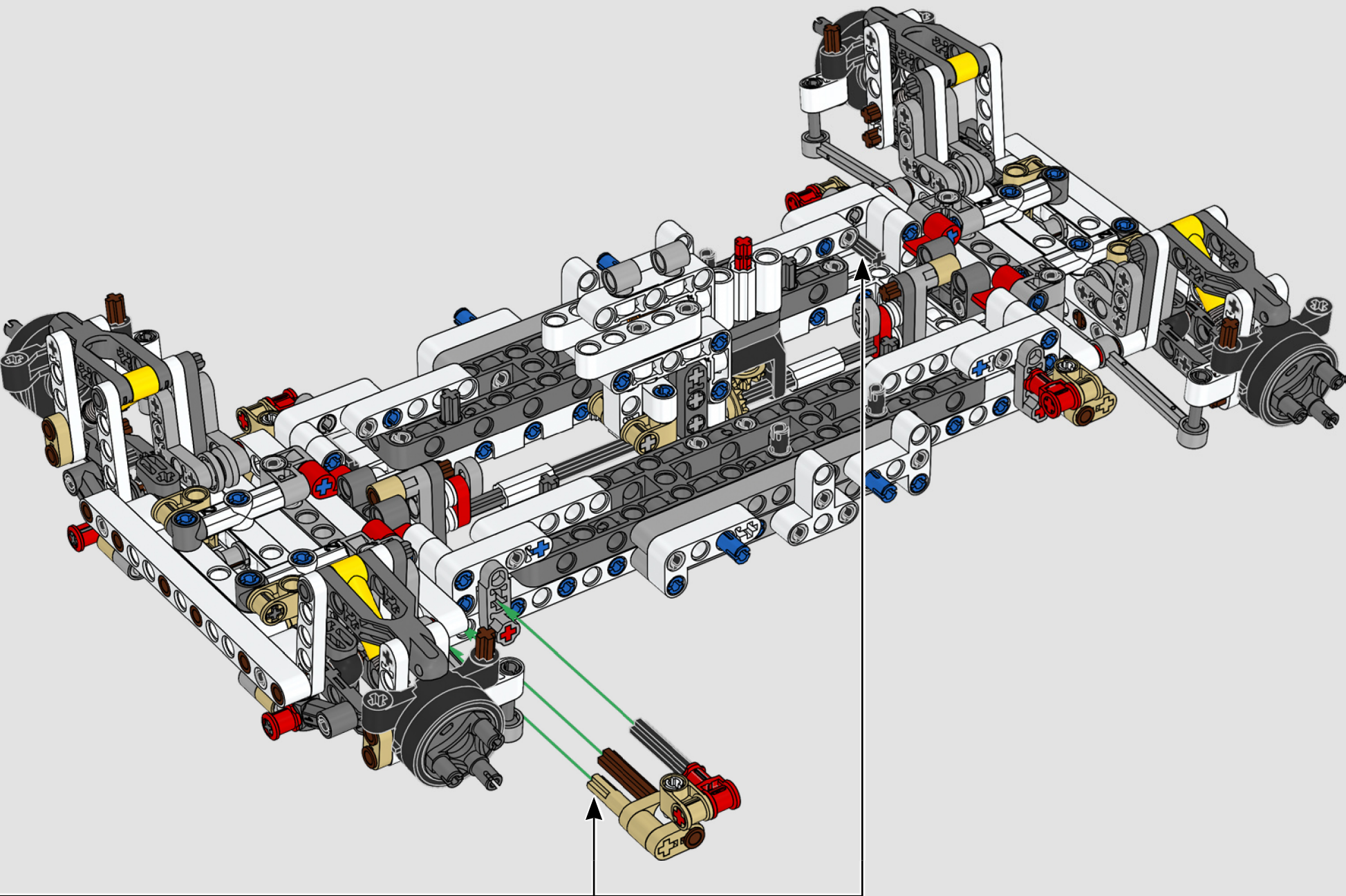
4

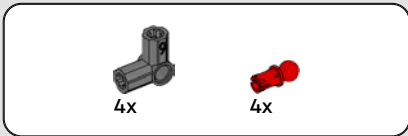


5

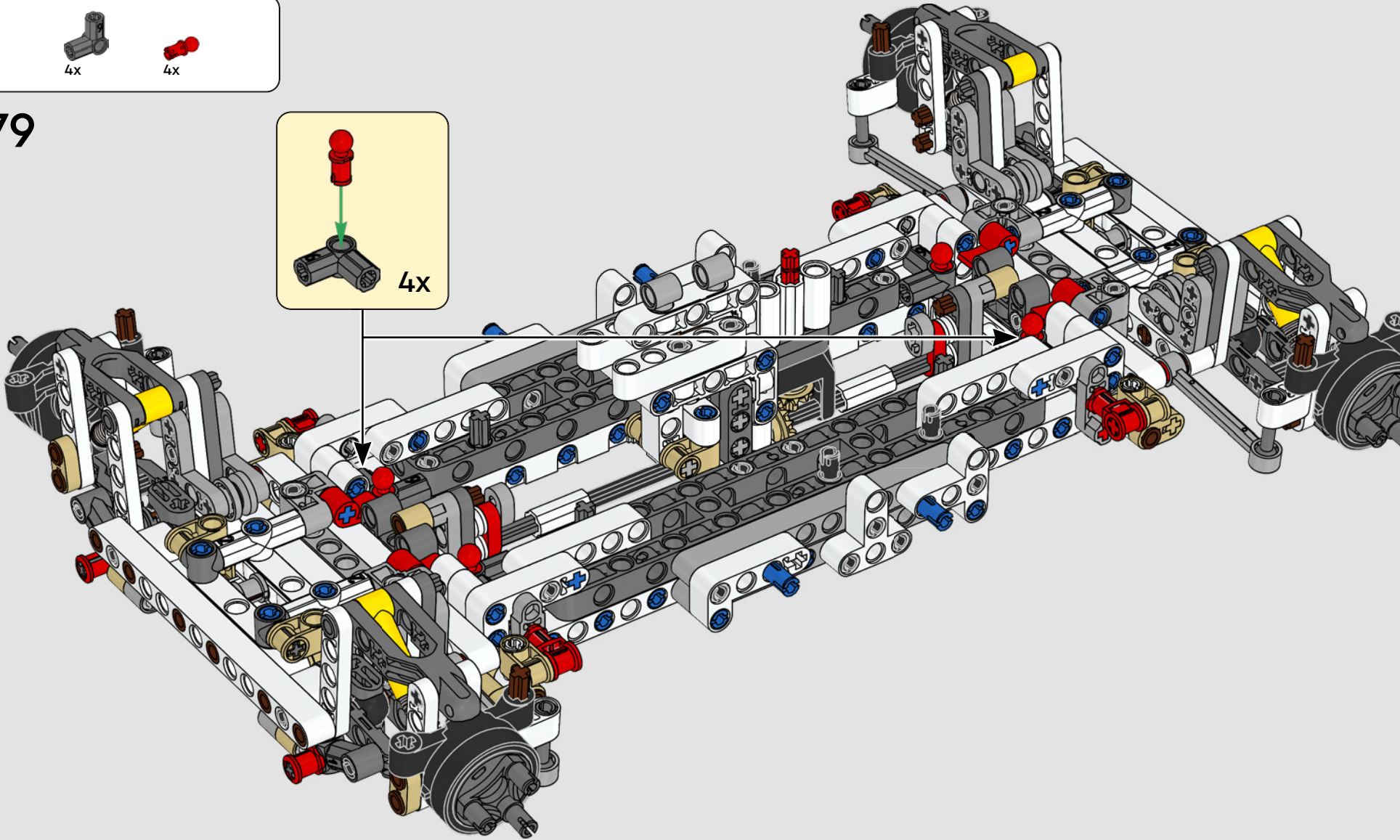
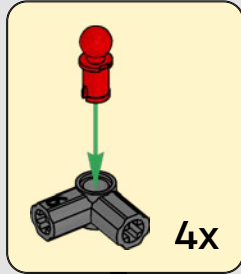


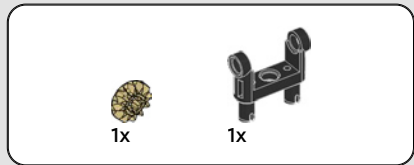
2x



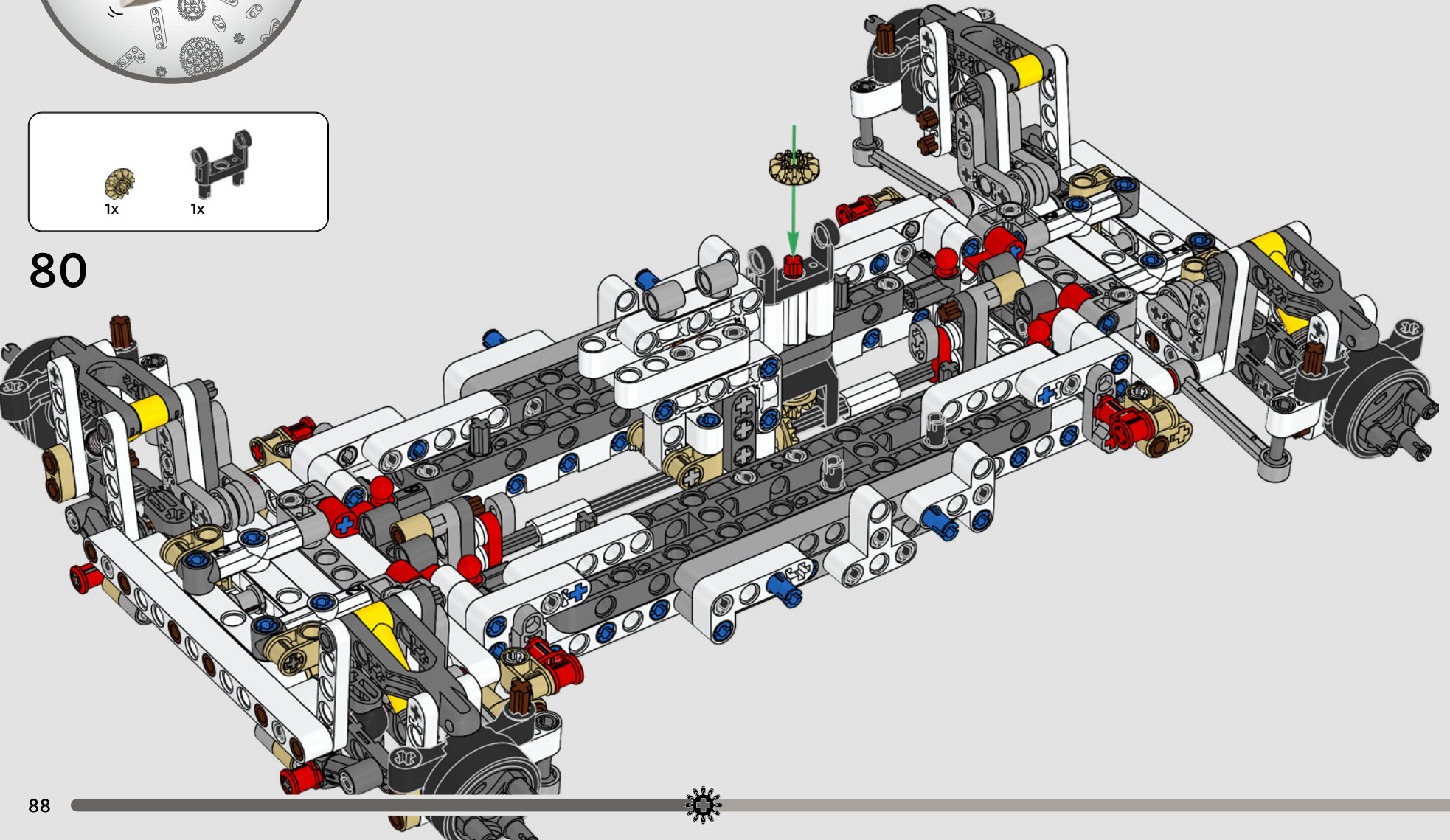


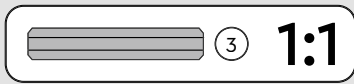
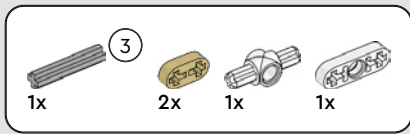
79



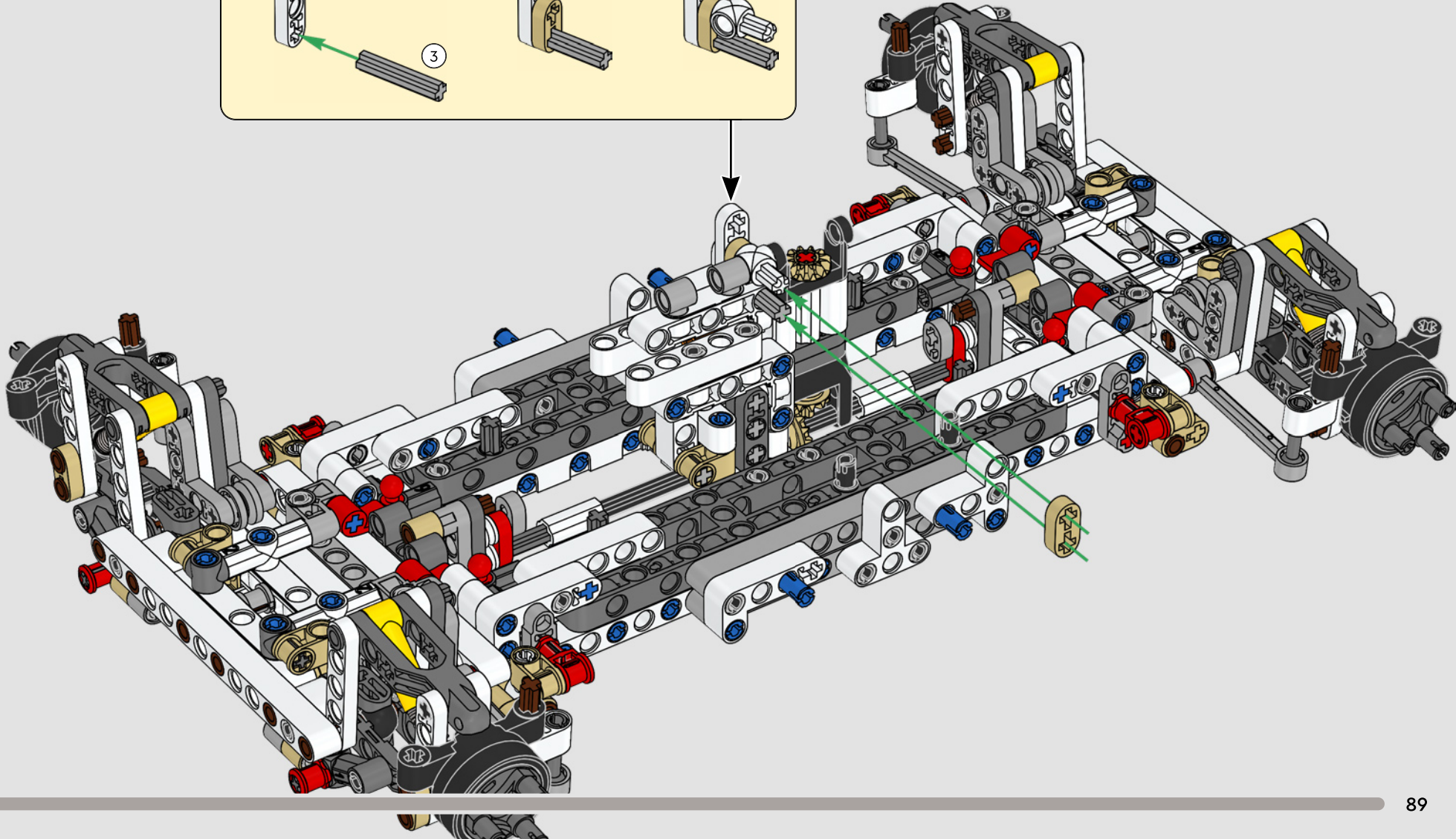
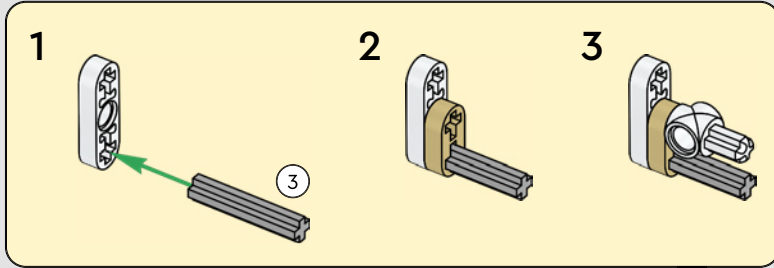


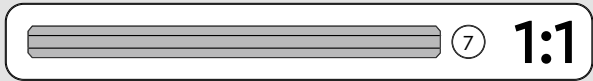
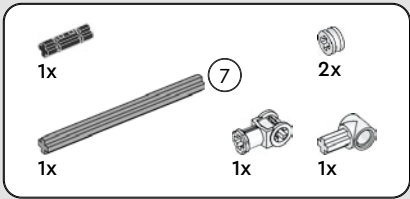
80



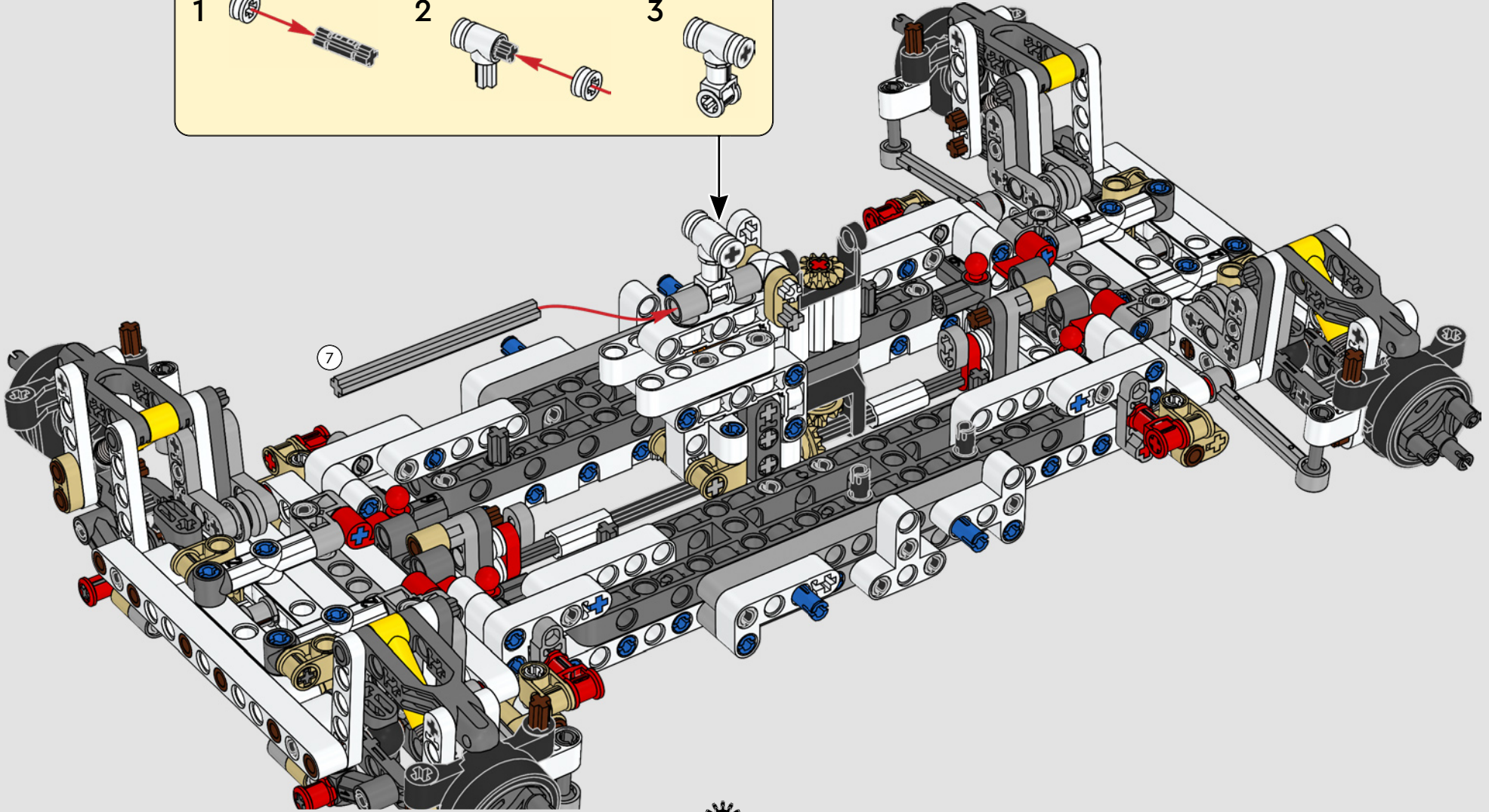
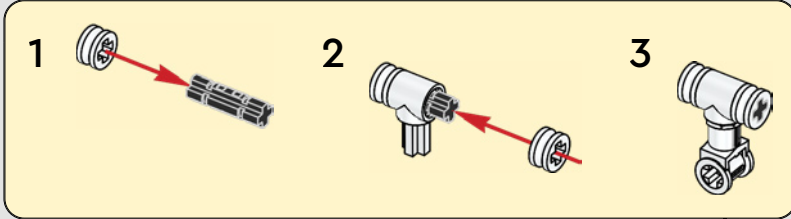


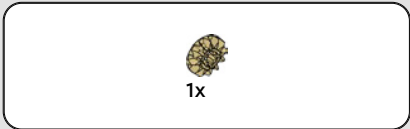
81



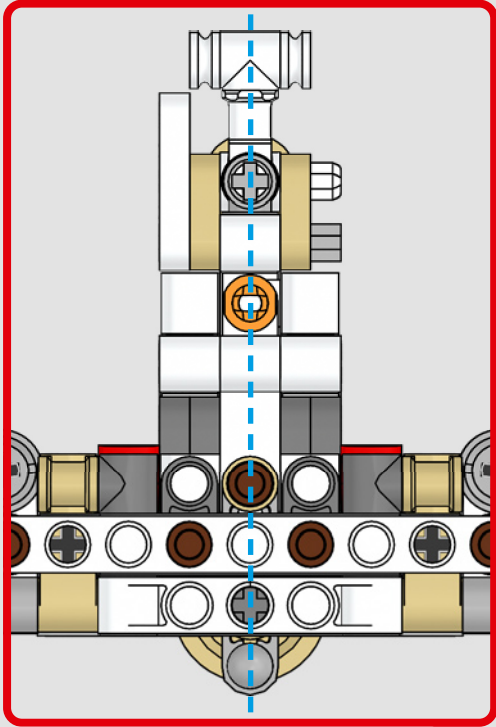
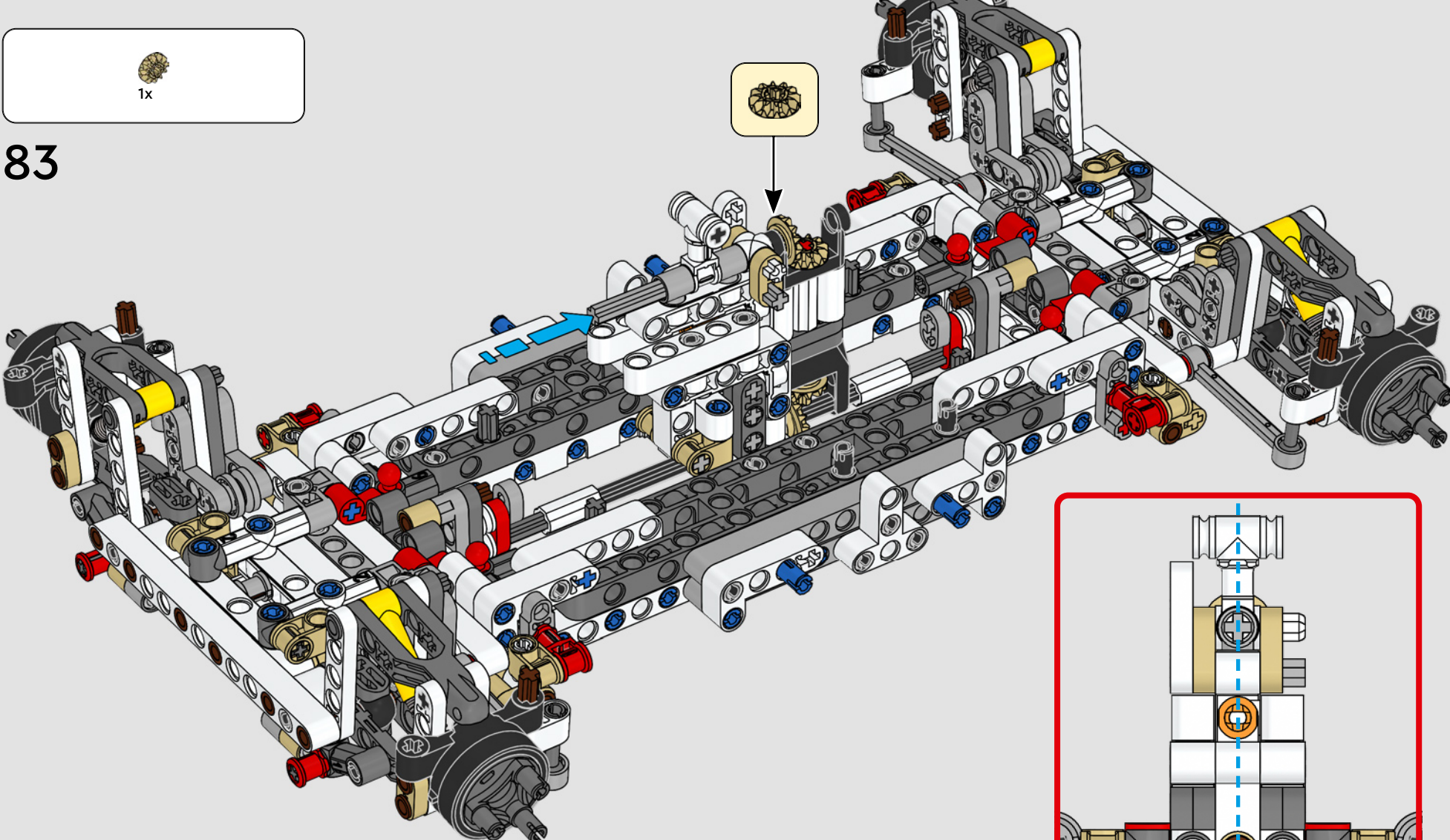


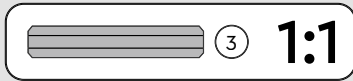
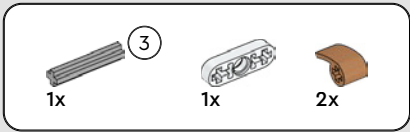
82



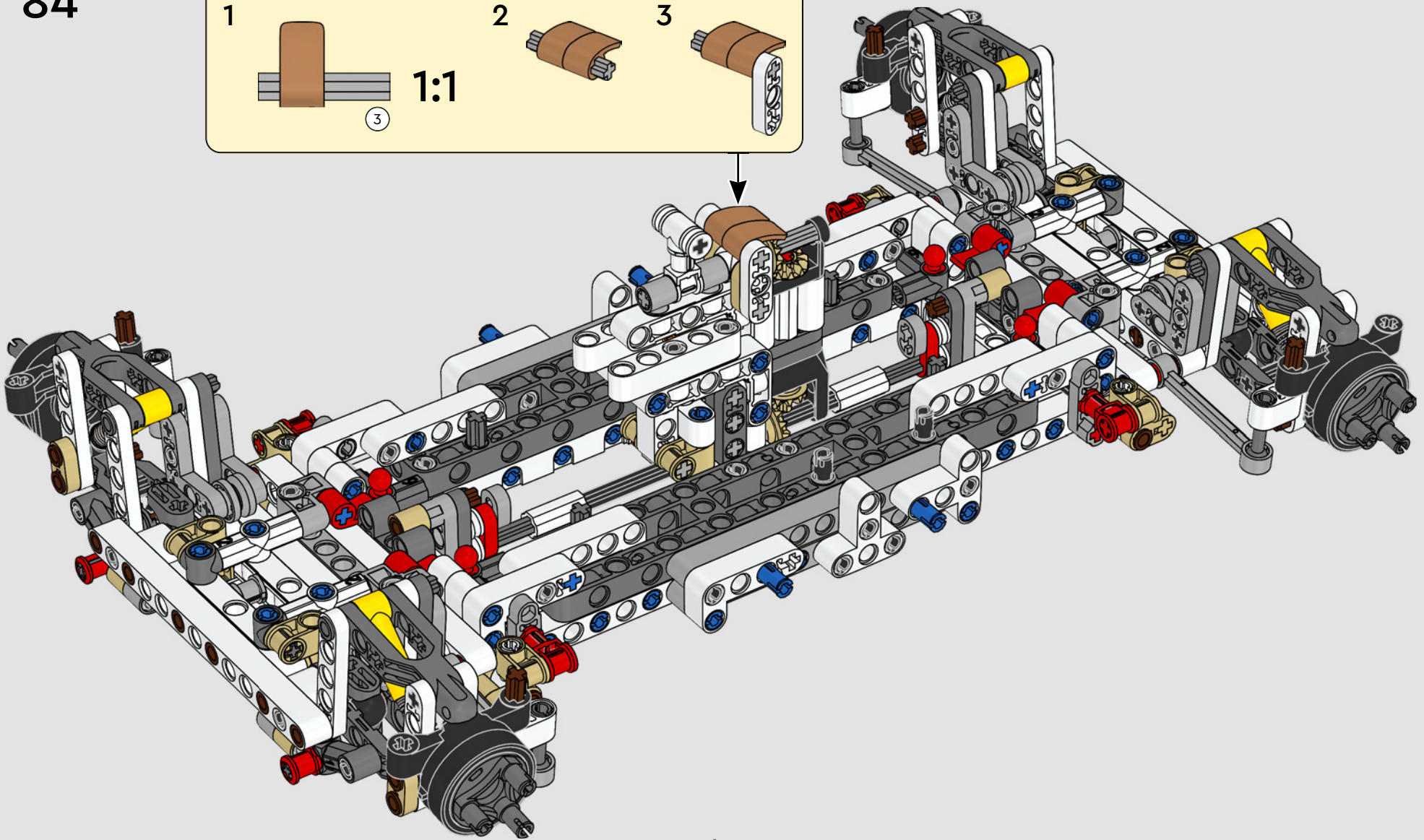
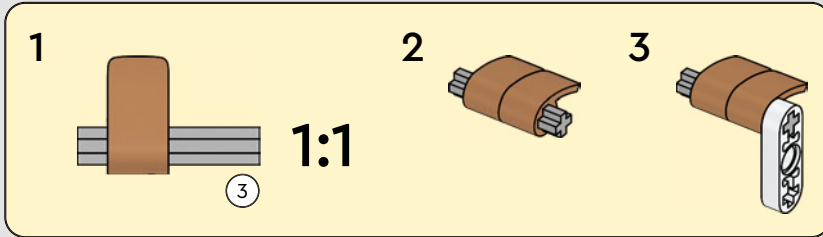


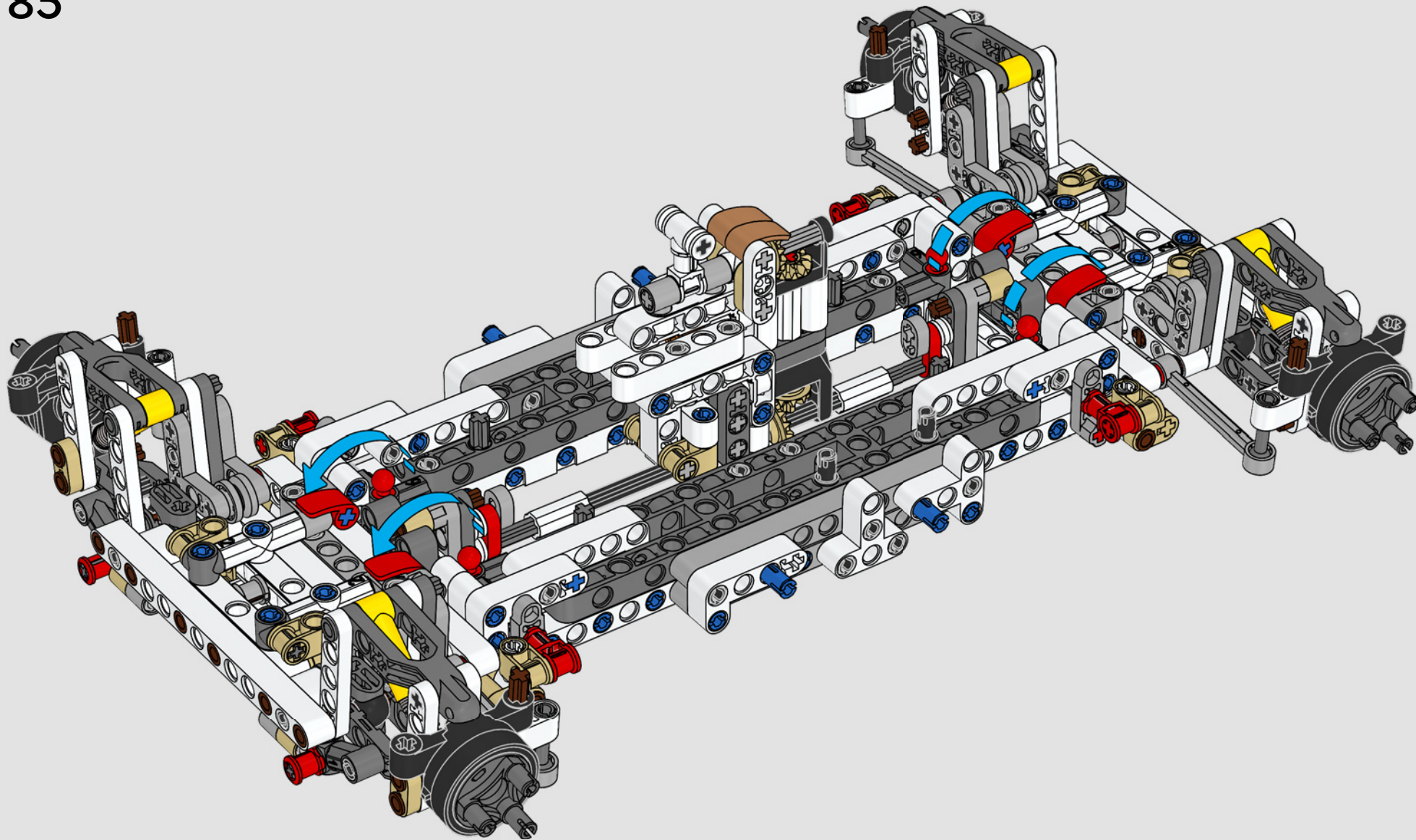
83

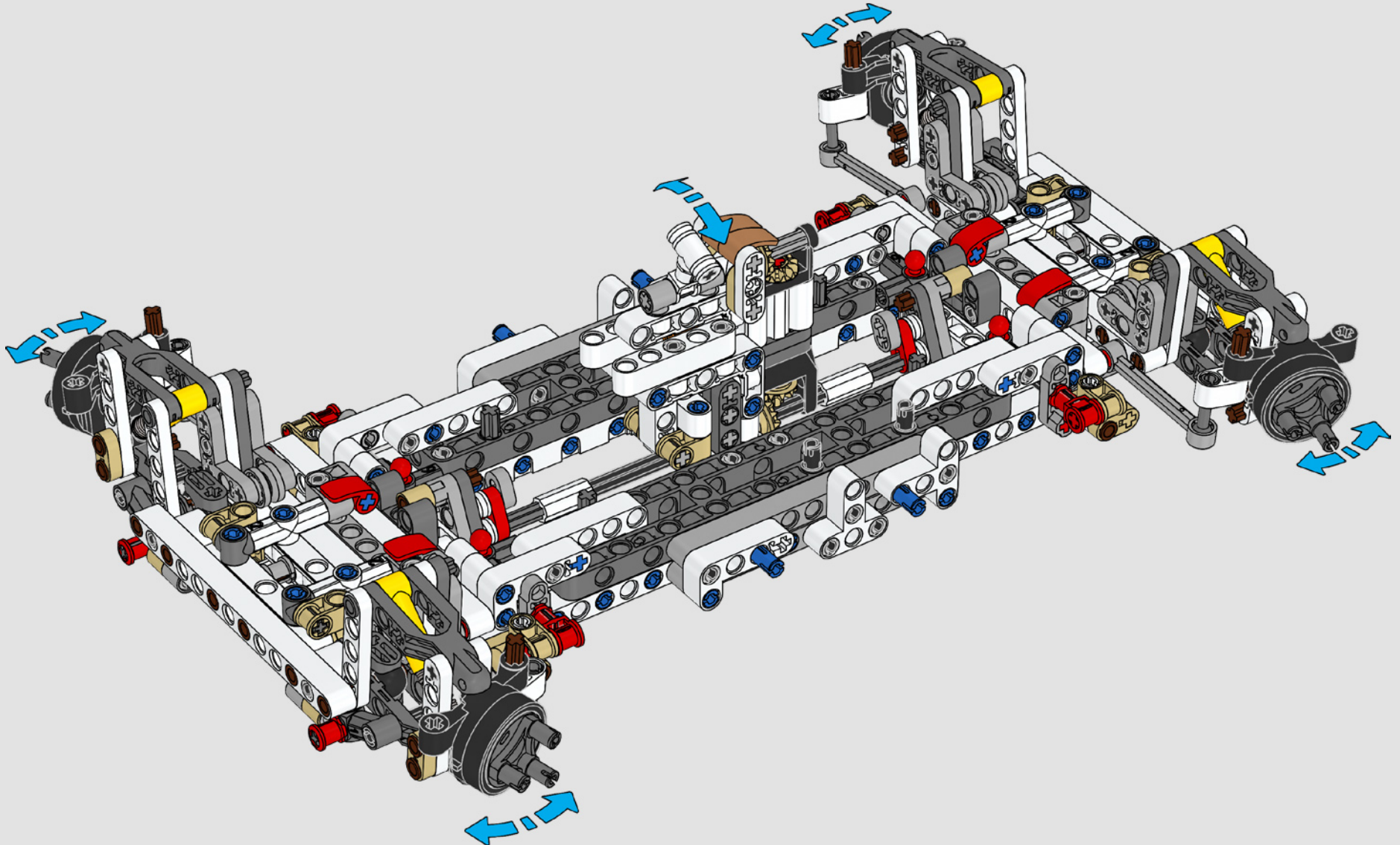




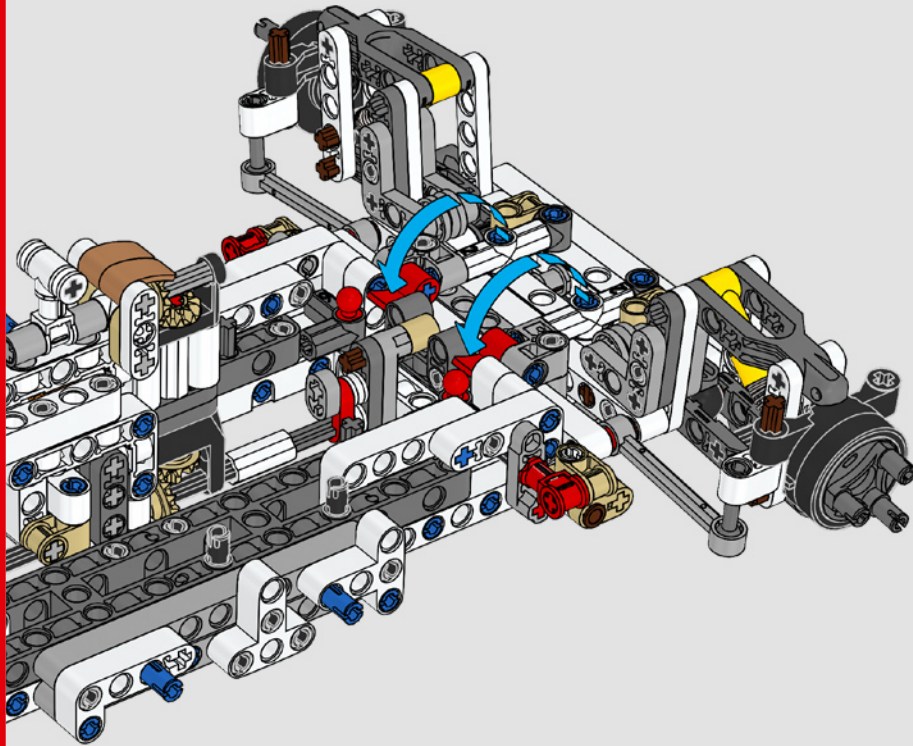
84



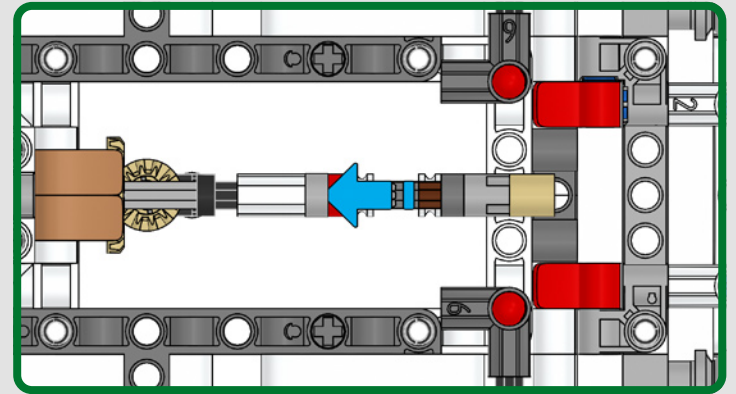
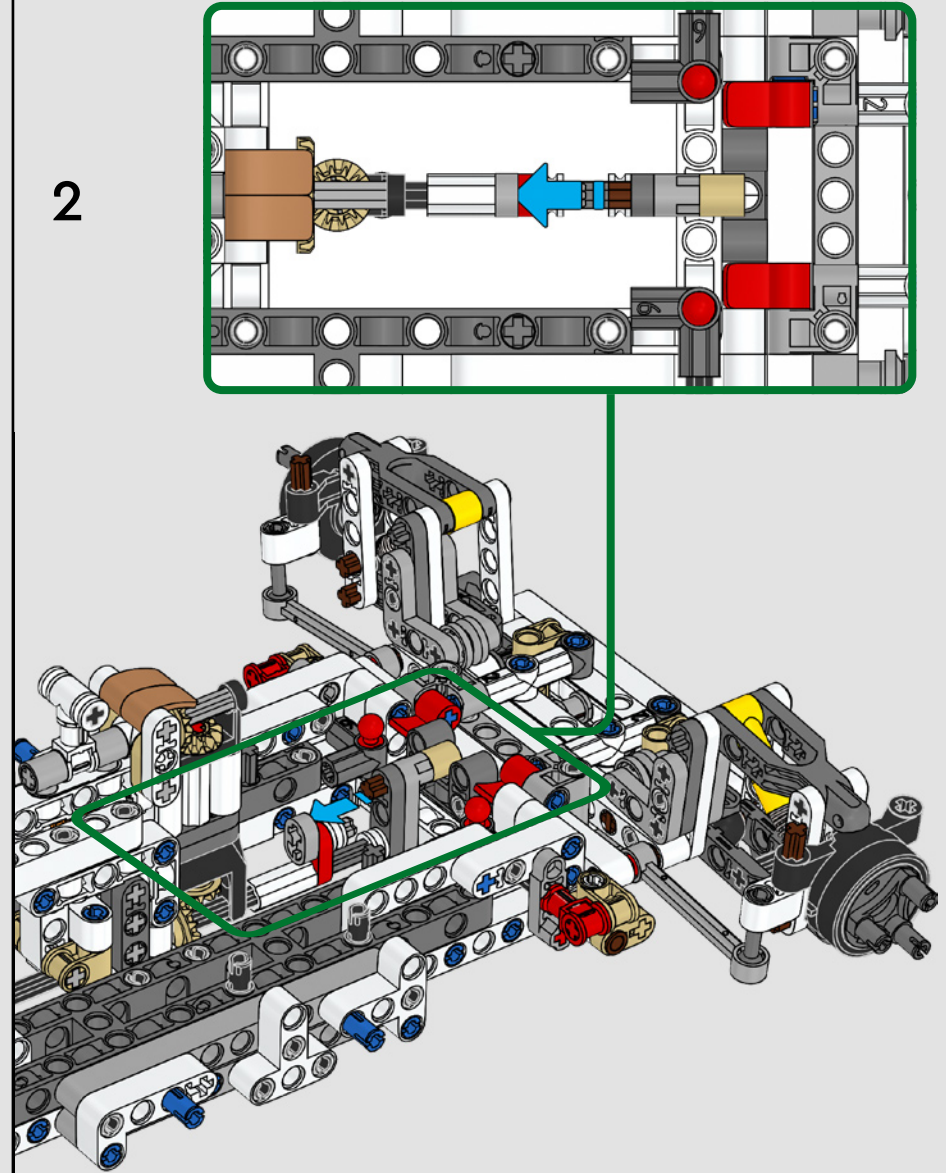




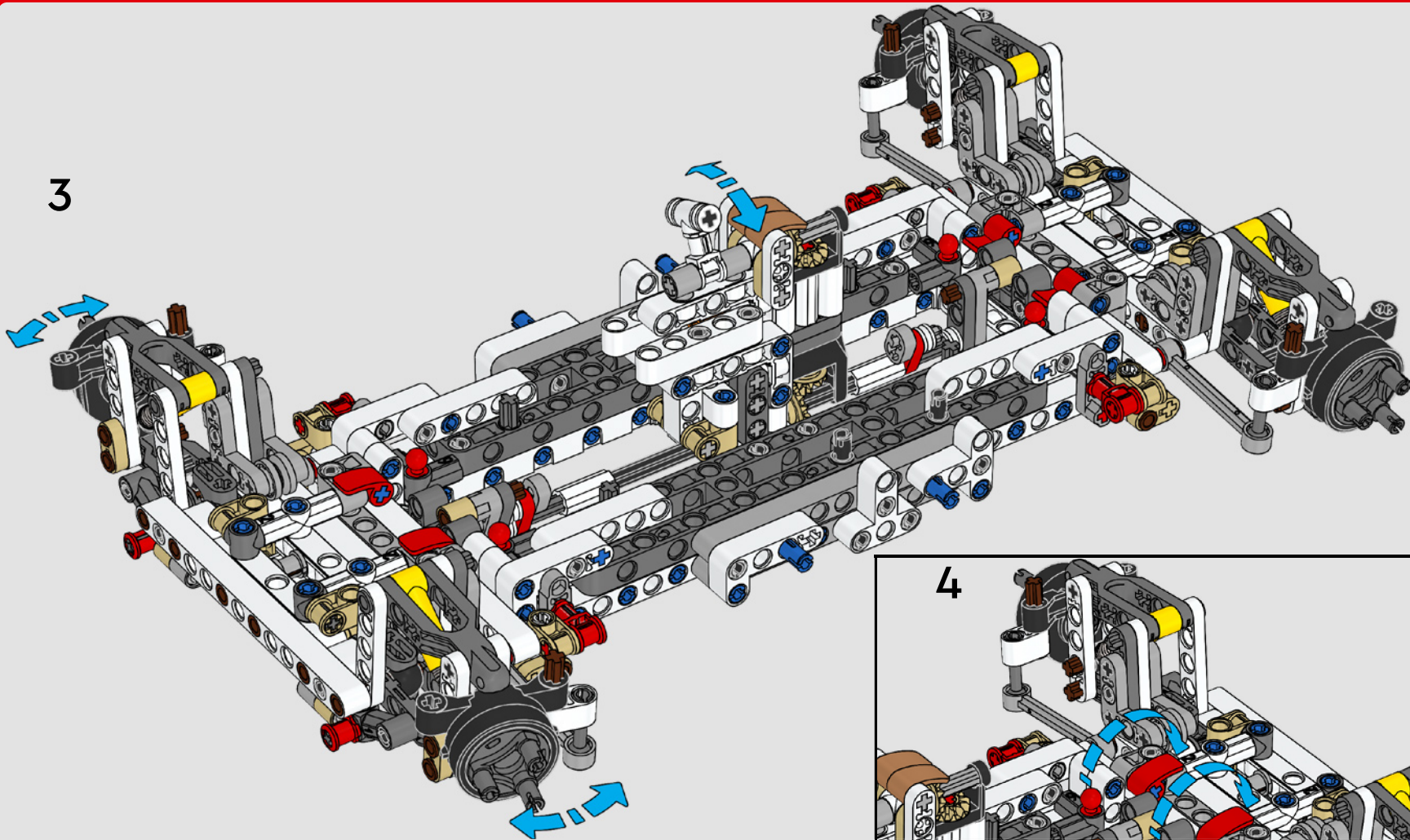
1



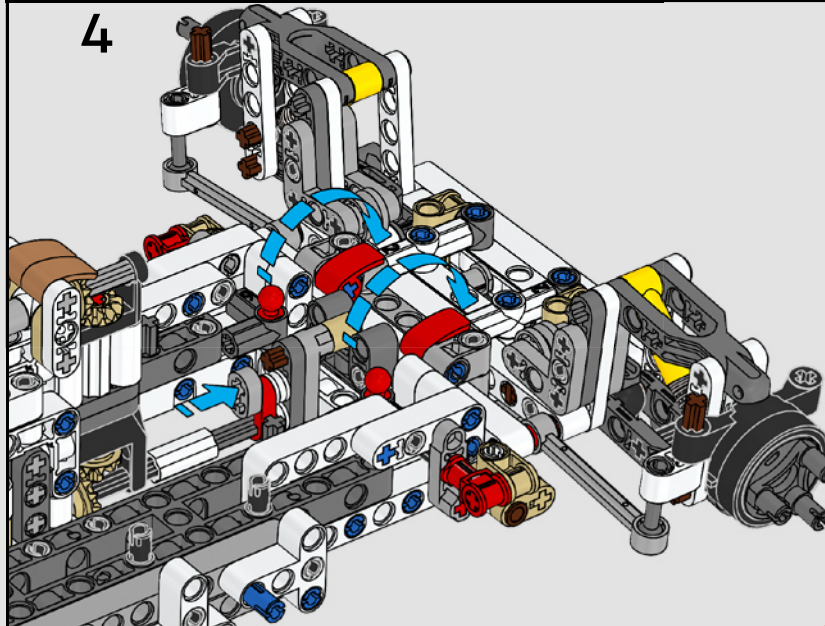
2

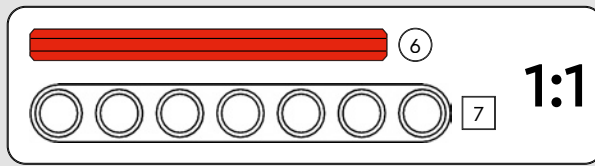
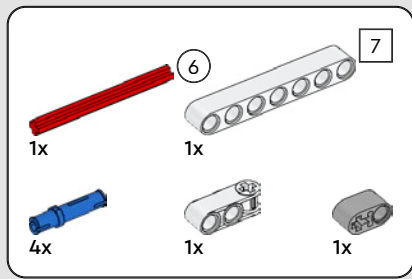


3

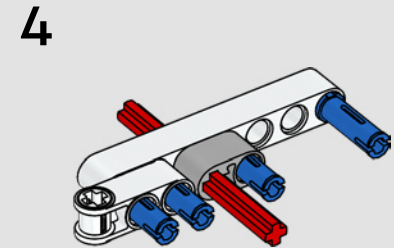
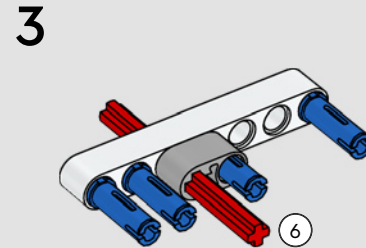
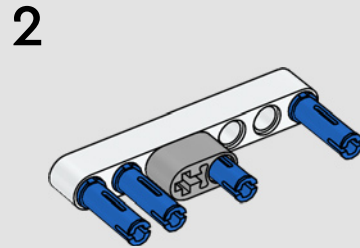
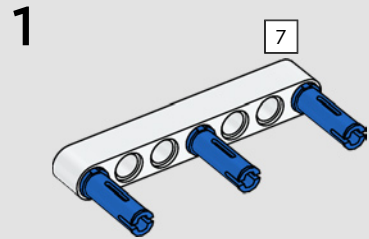


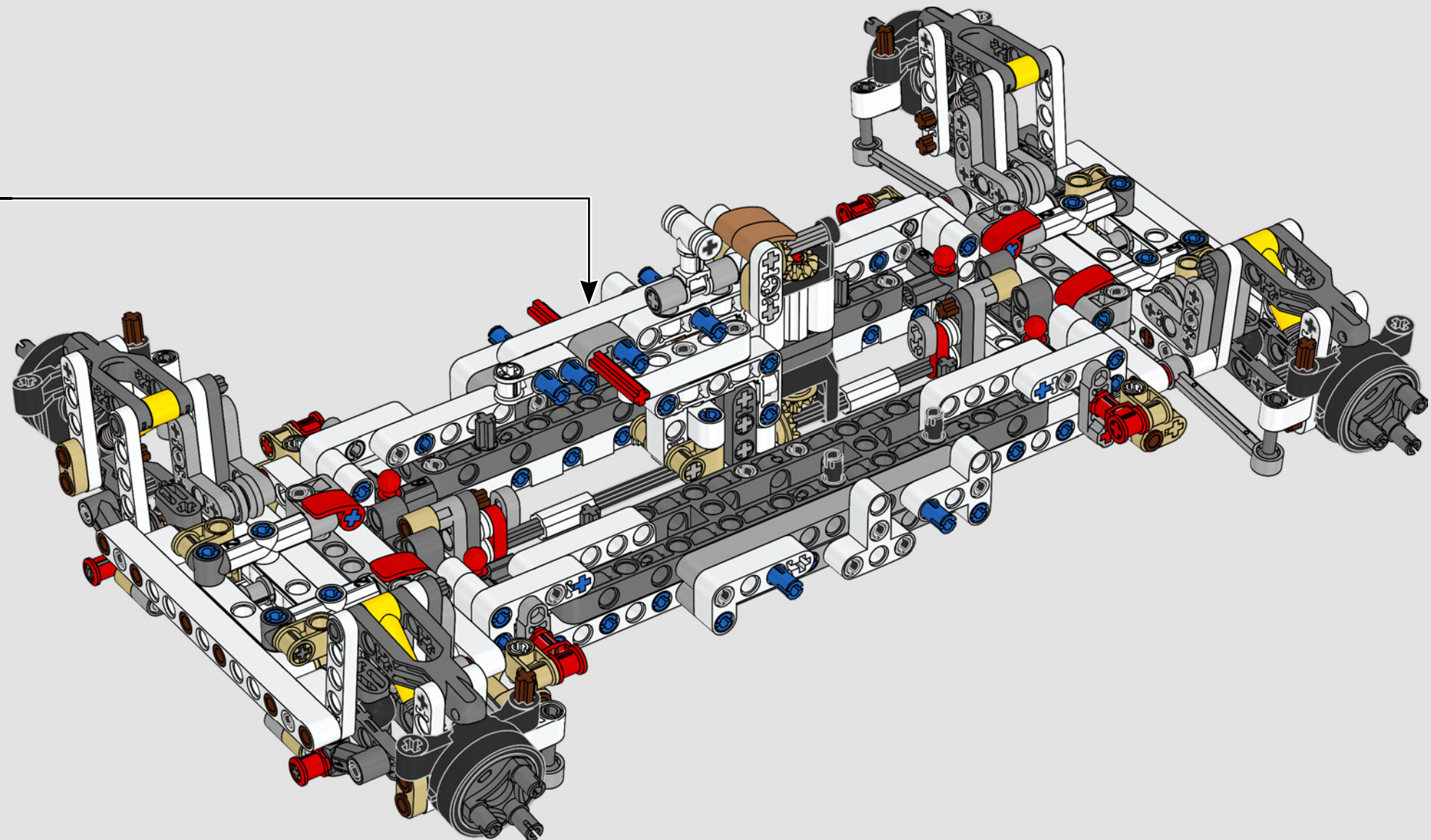
4

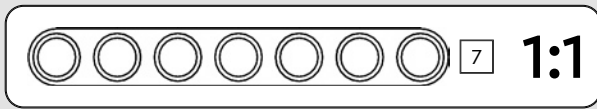
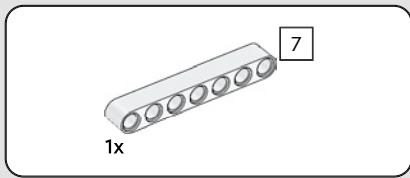




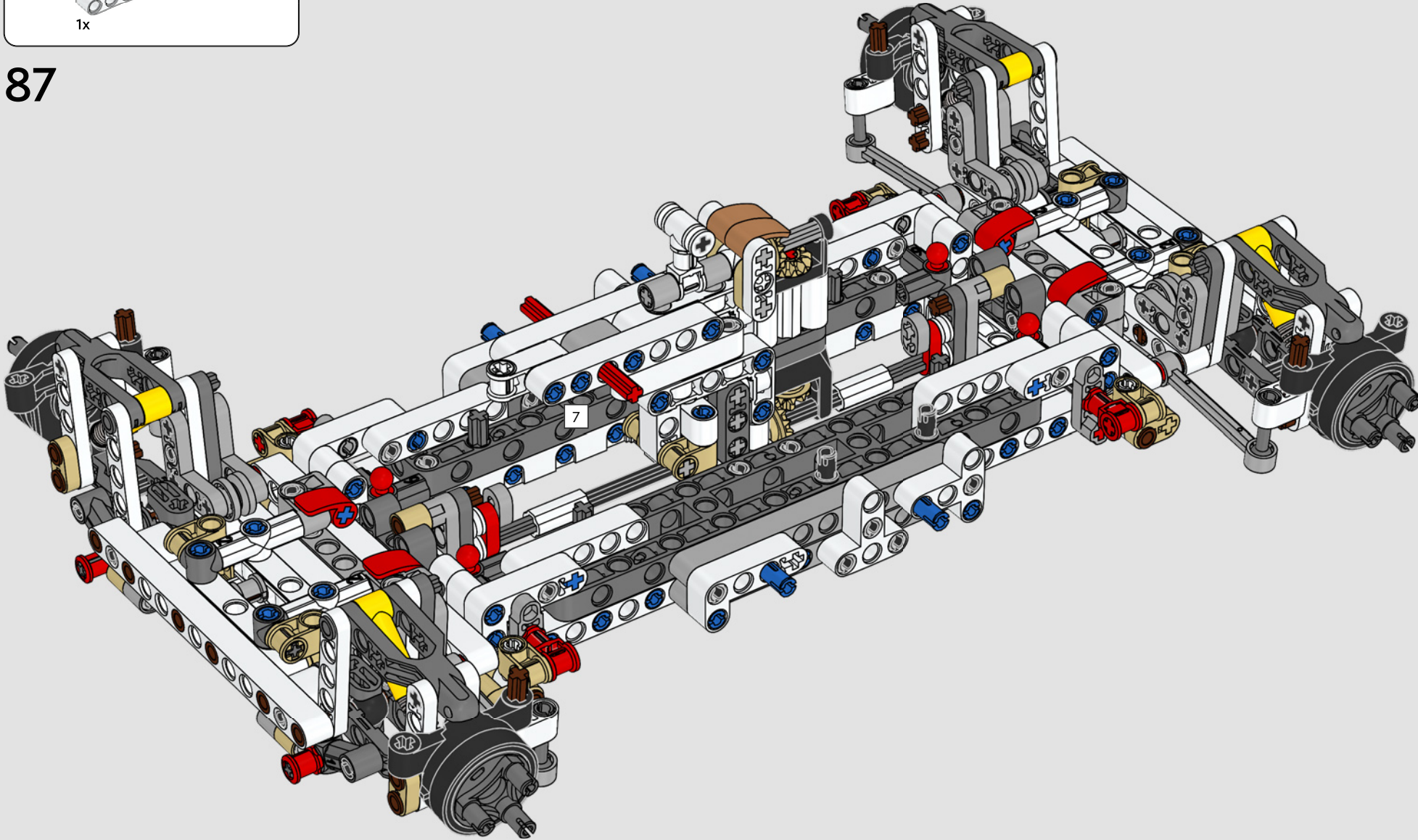
86







87



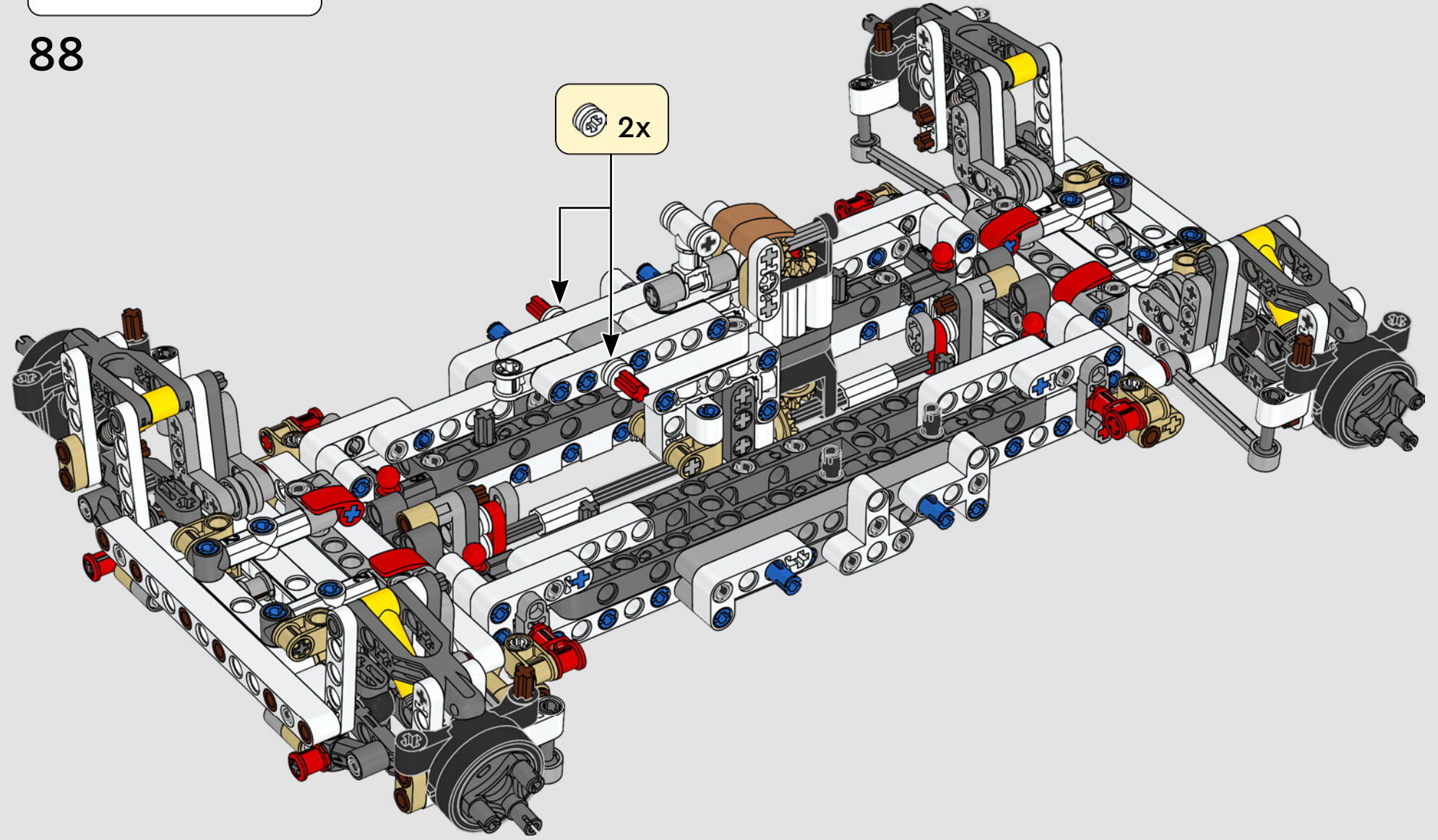


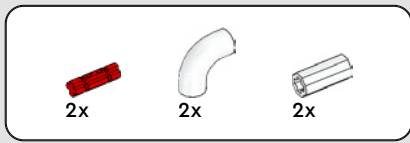
2x

88

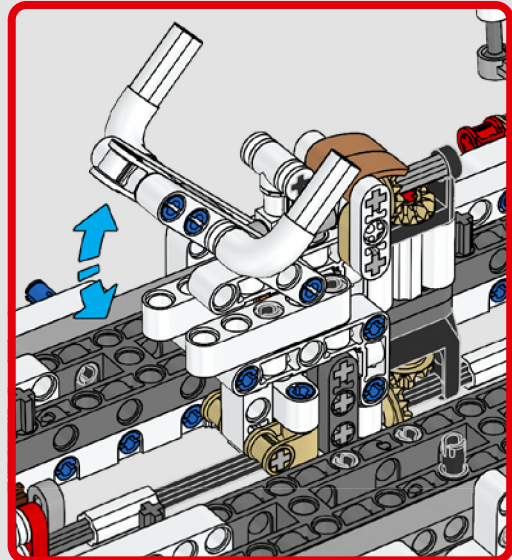
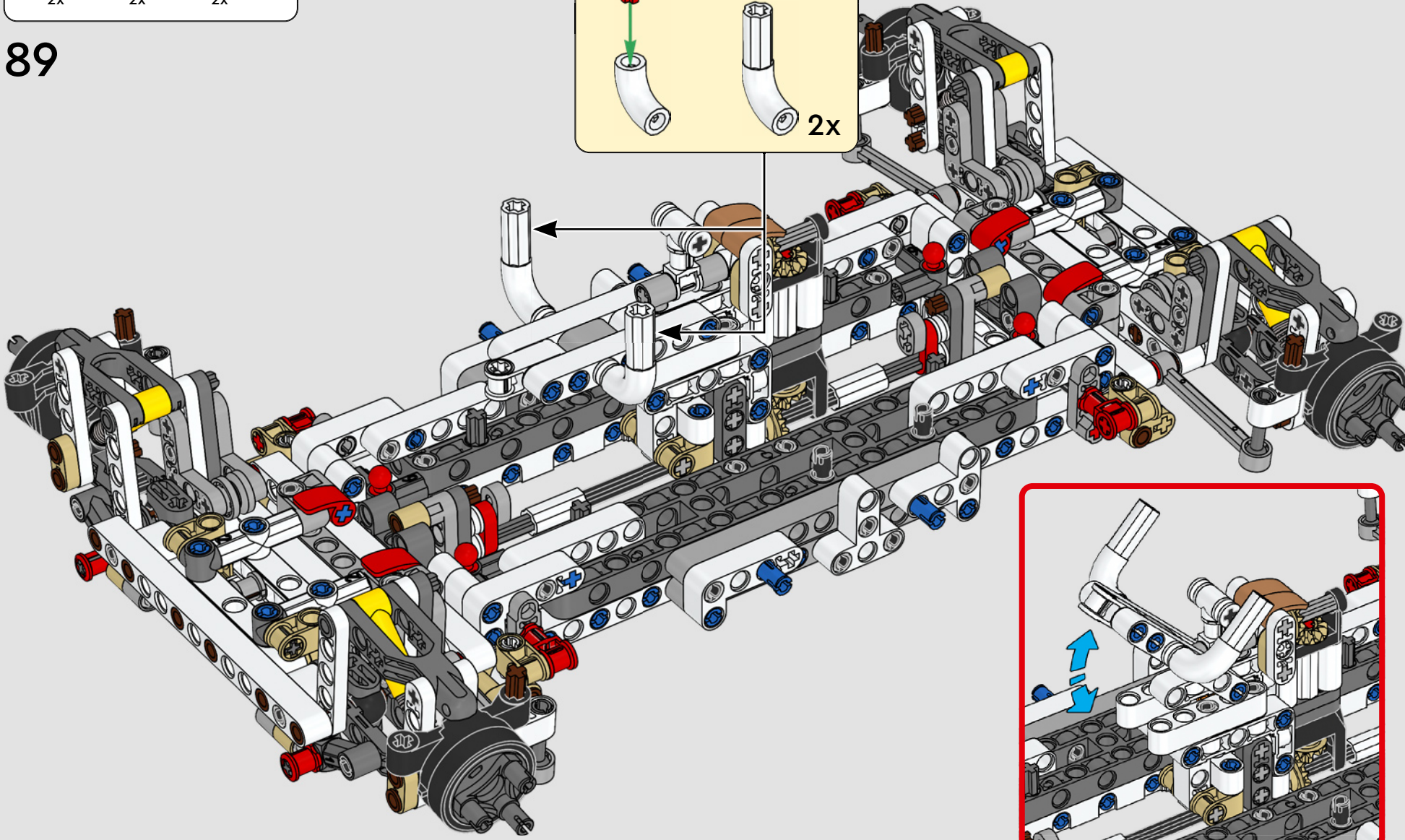
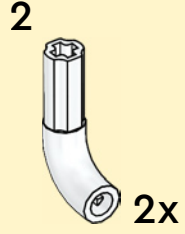
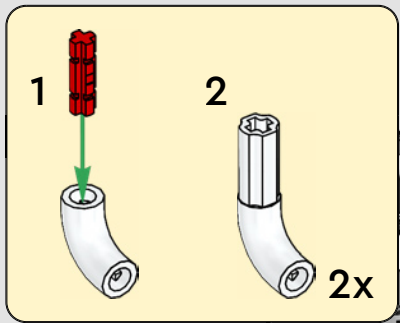


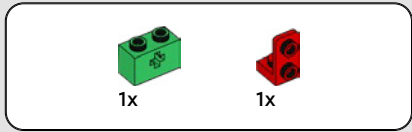
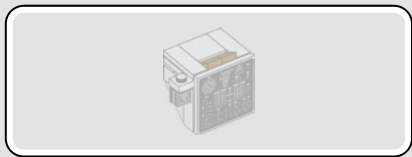
2x





89

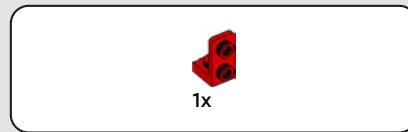
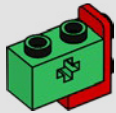




1x

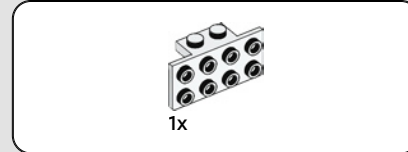
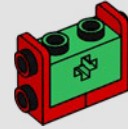
1x

90



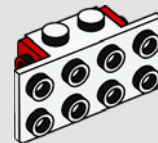
1x

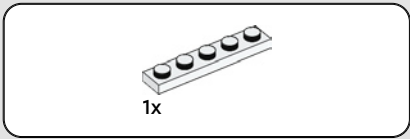
91



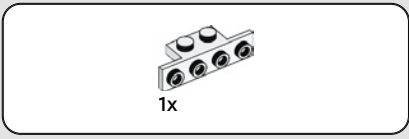
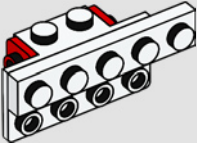
1x

92

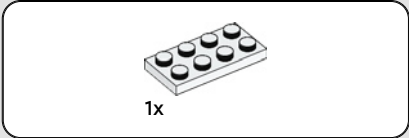
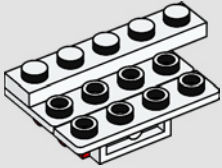




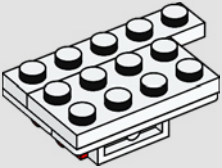
93

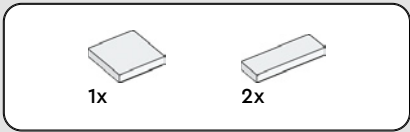


94

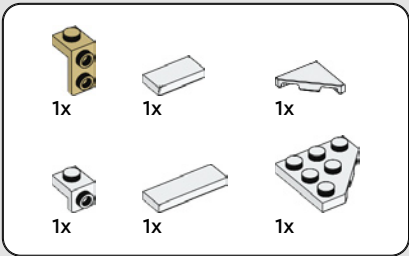
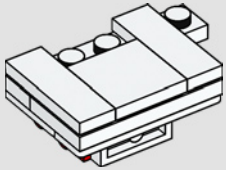


95

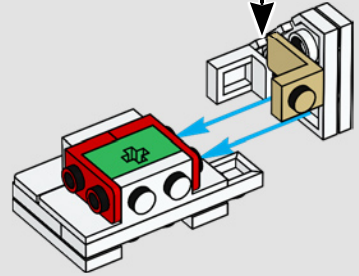
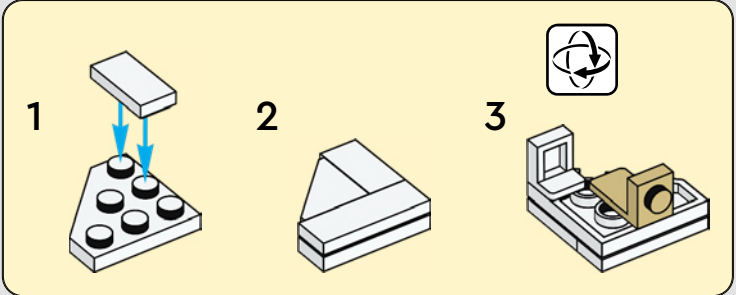


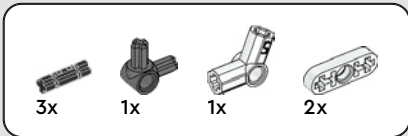


96

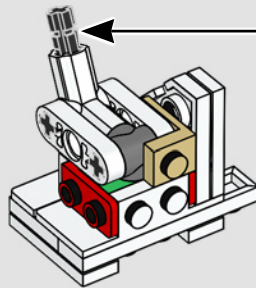
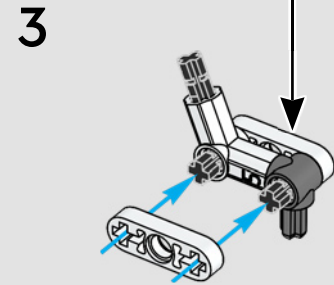
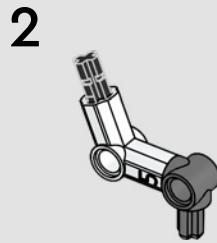
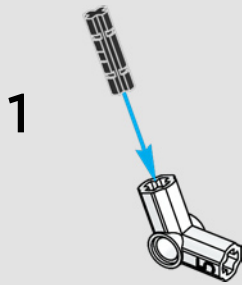


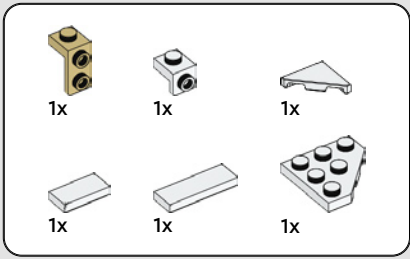
97



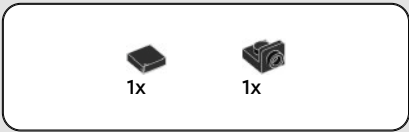
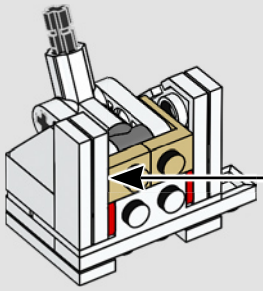
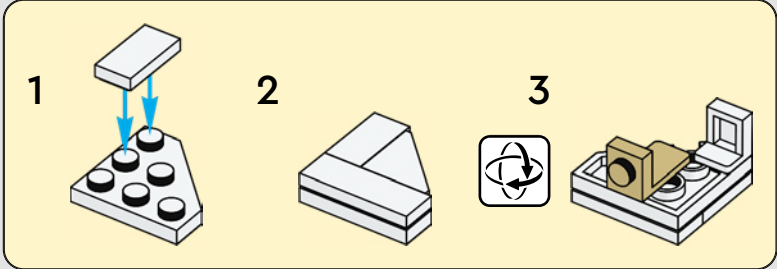


98

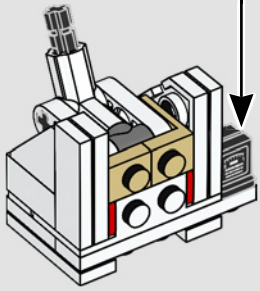
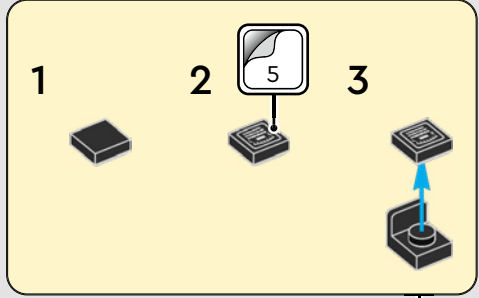


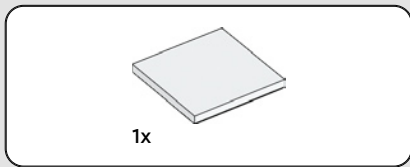


99

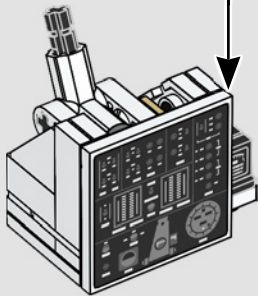
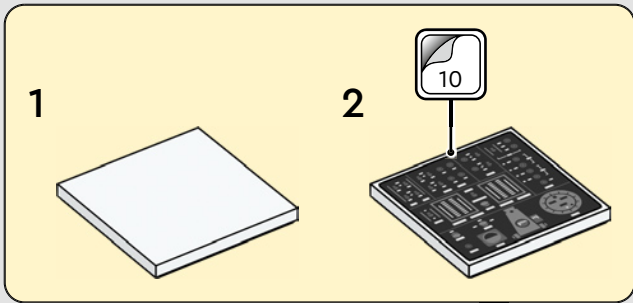


100

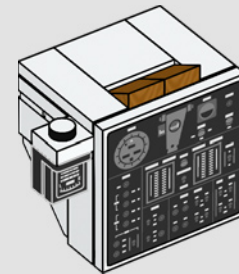
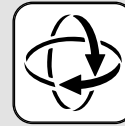




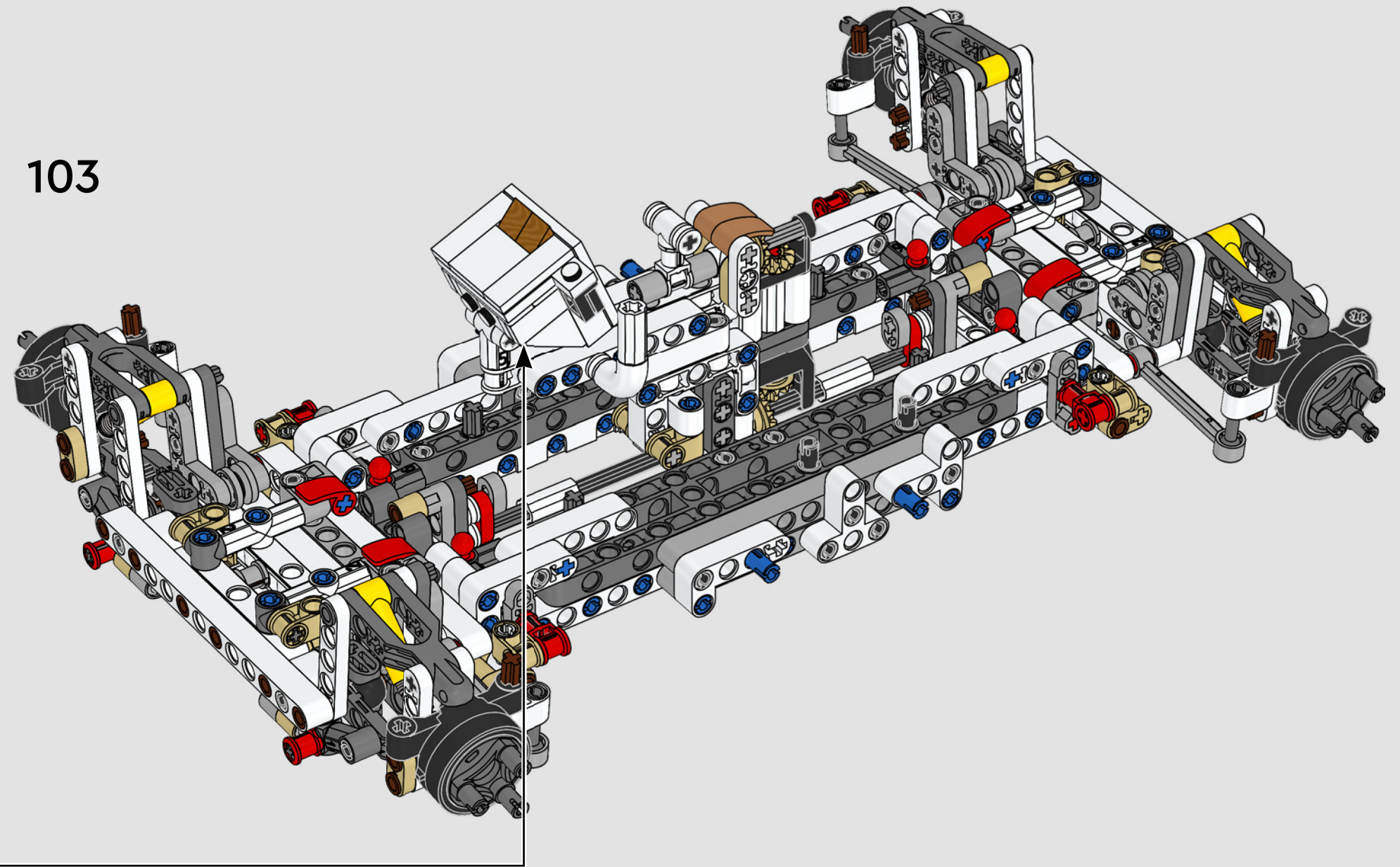
101

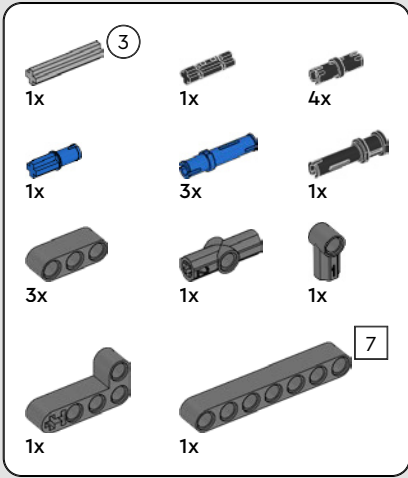
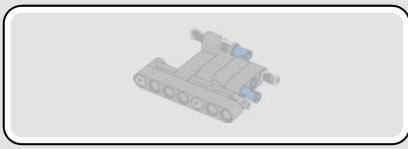


102



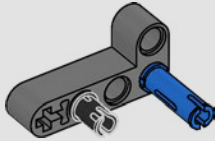
103



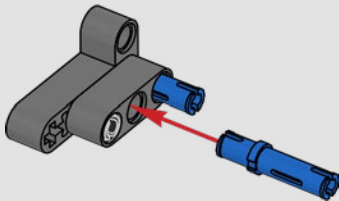


104

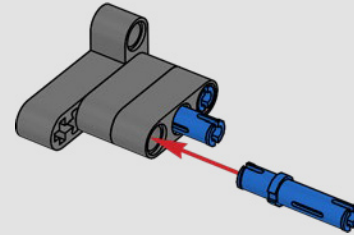
1



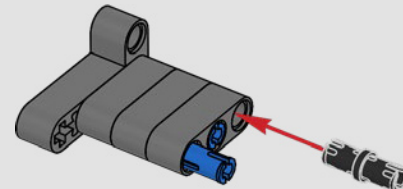
2

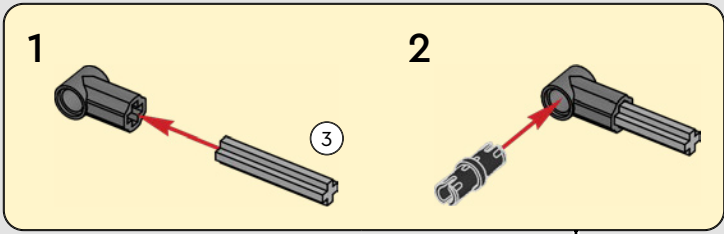


3

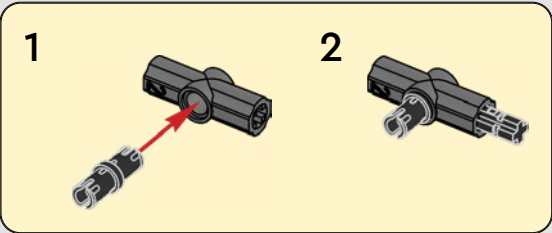
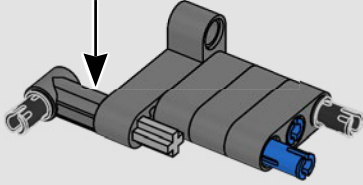


4

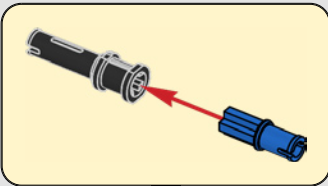
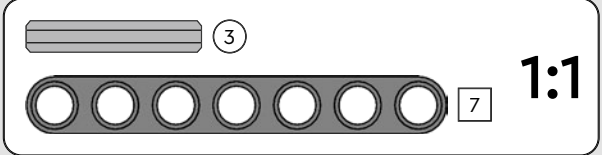
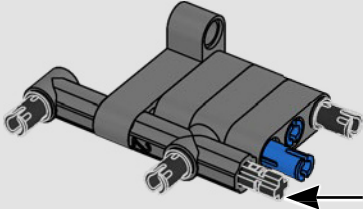




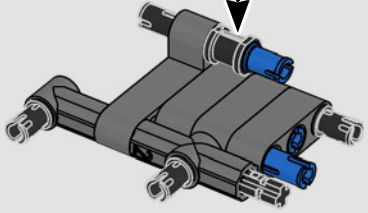
5



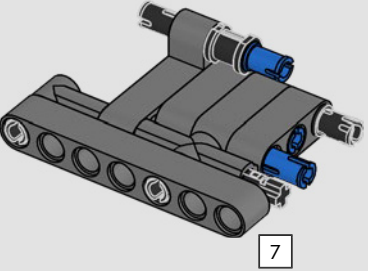
6

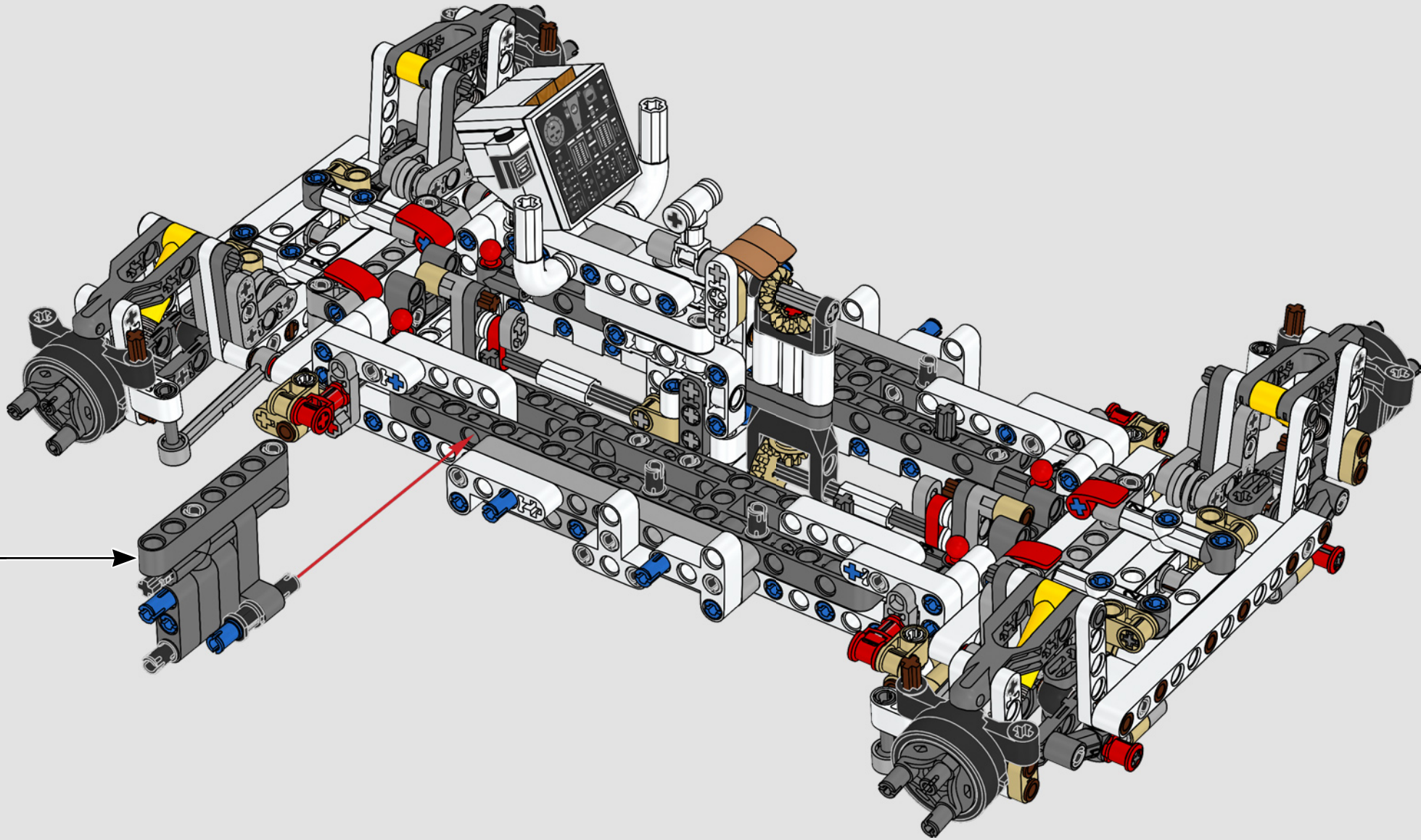


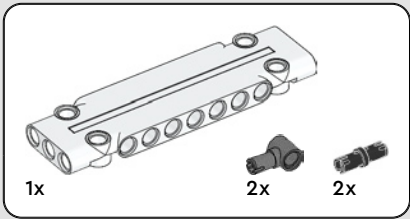
7



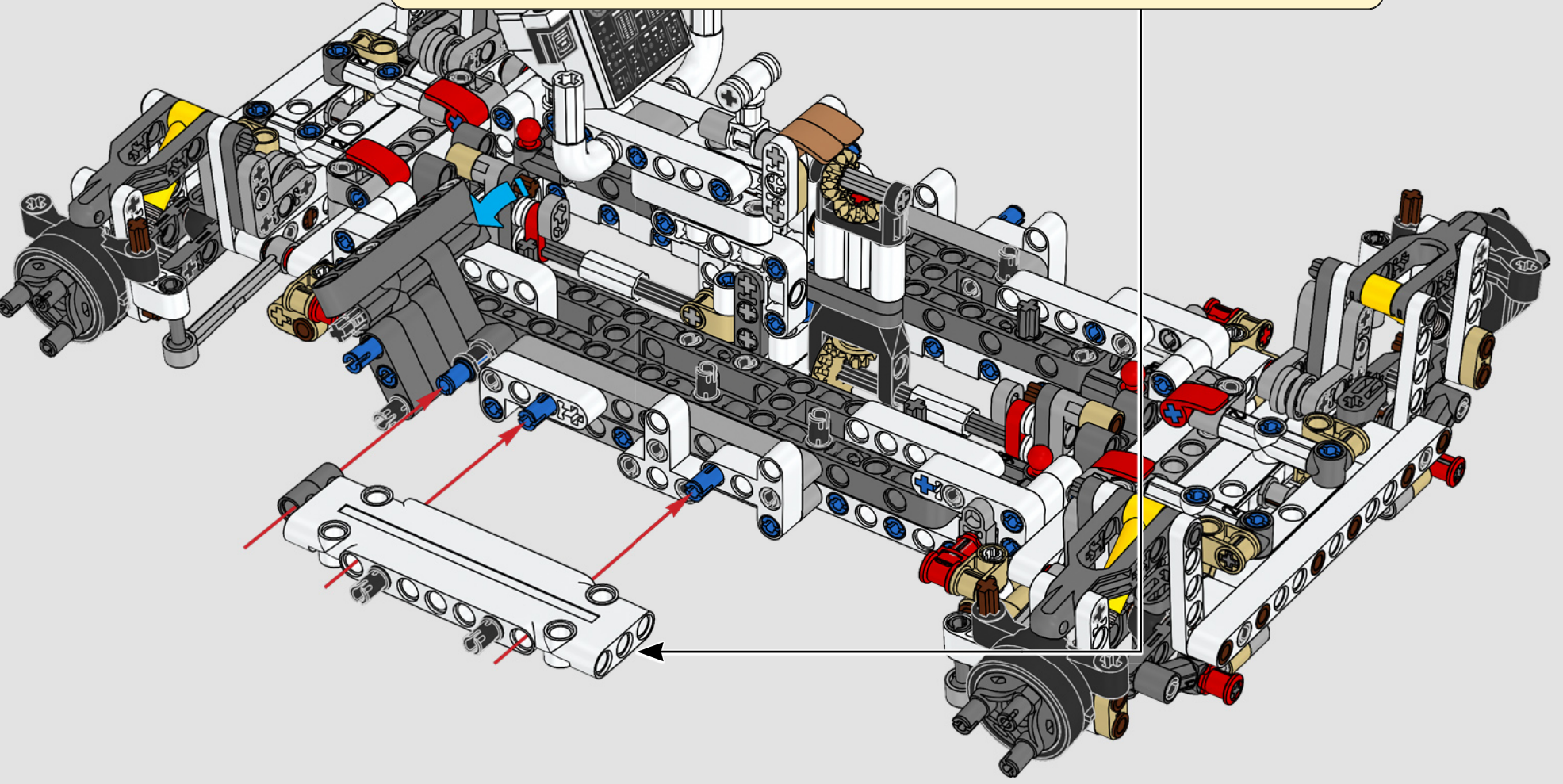
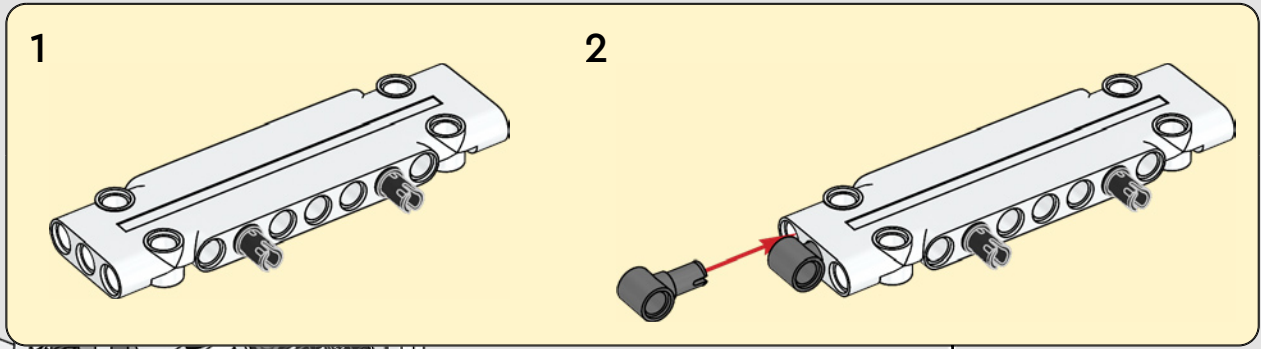
8

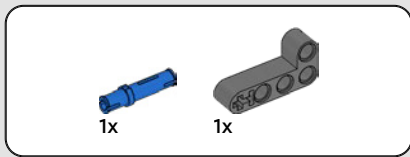




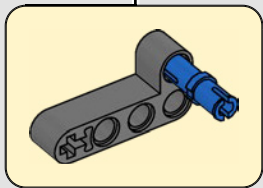
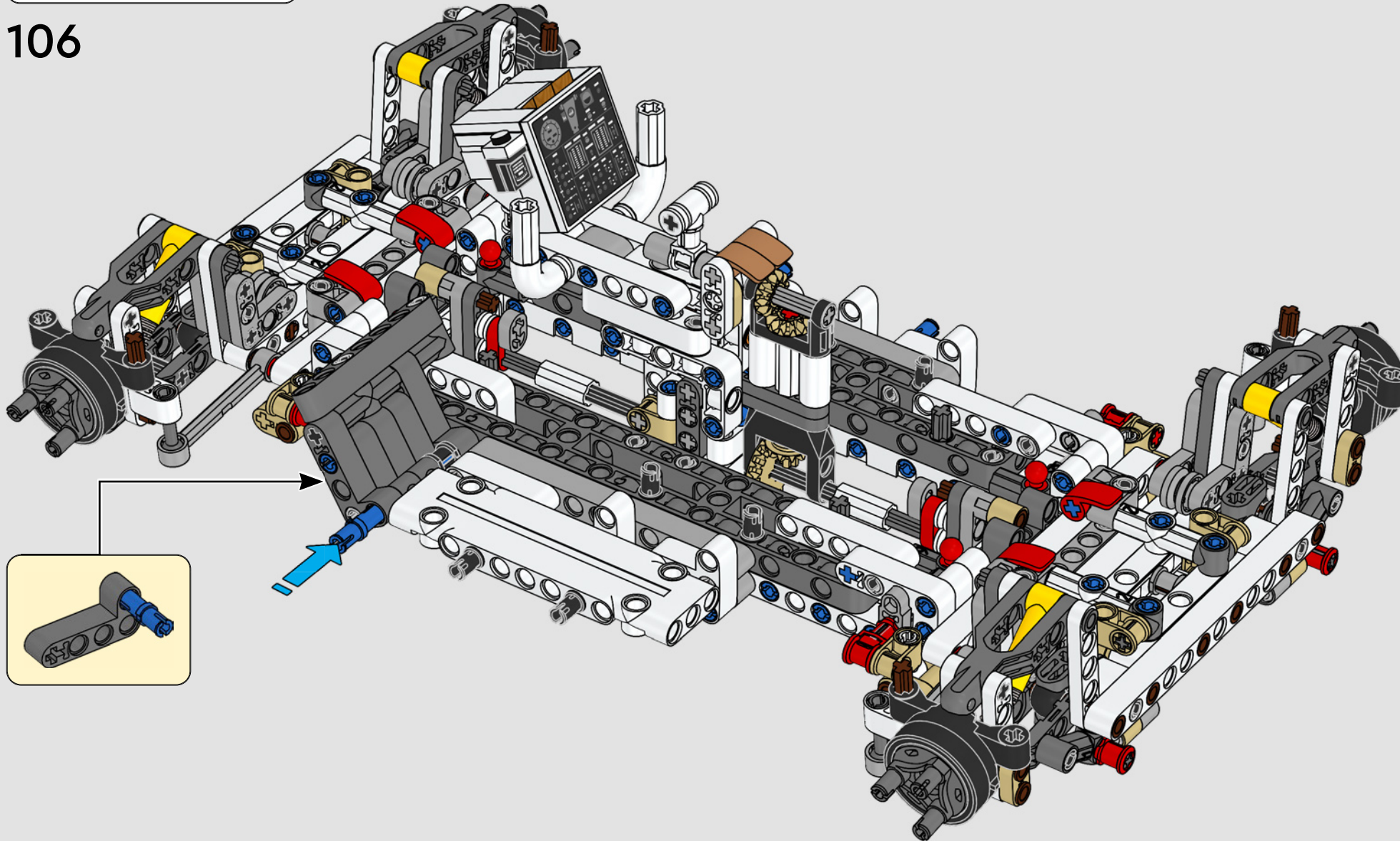


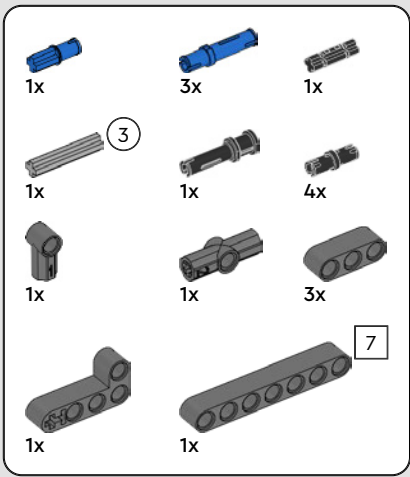
105





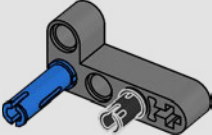
106



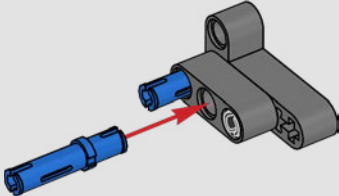


107

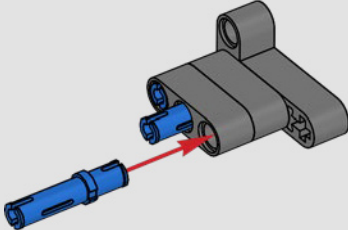
1



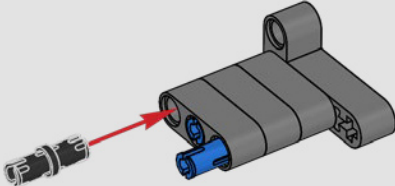
2

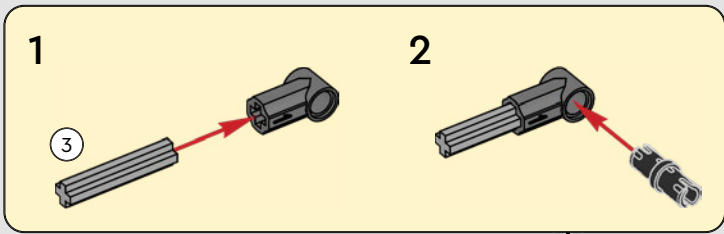


3

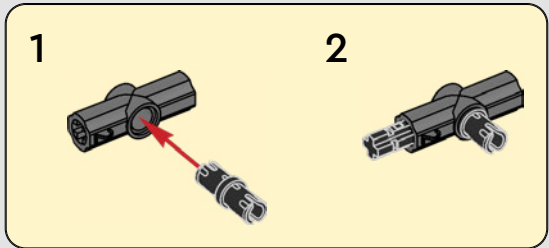
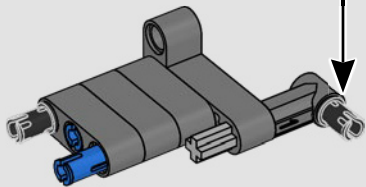


4

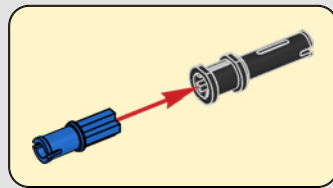
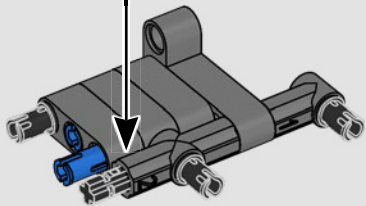




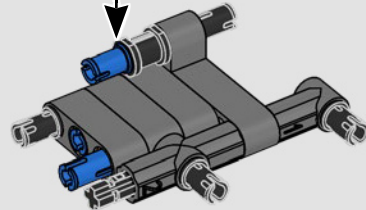
5



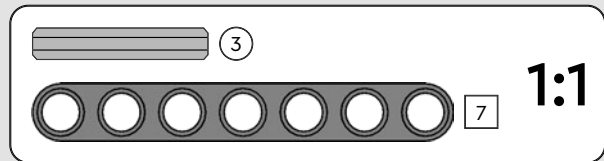
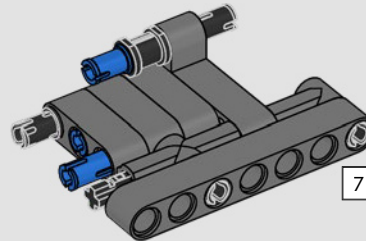
6

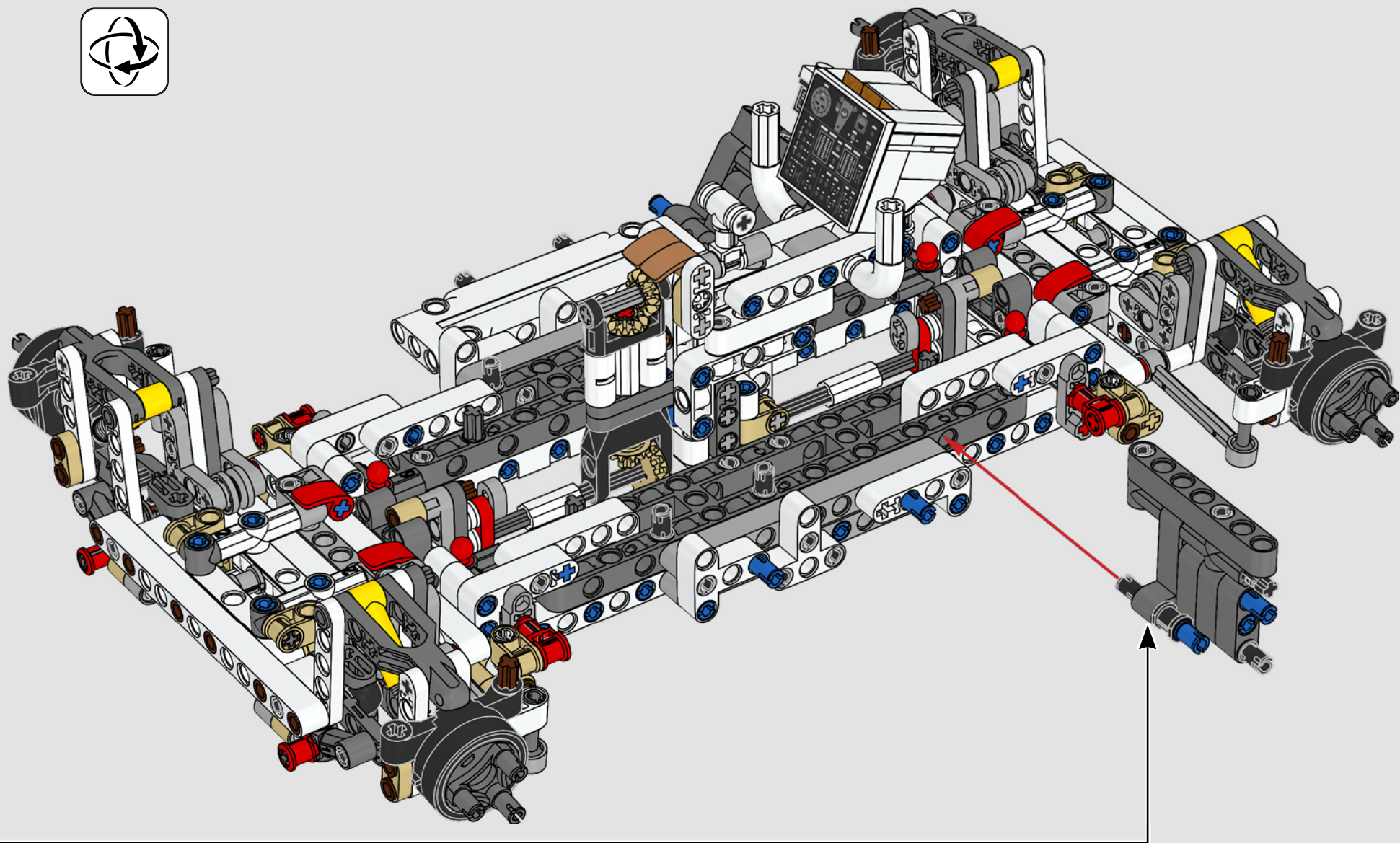


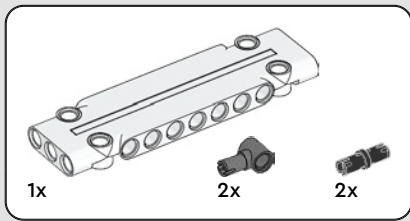
7



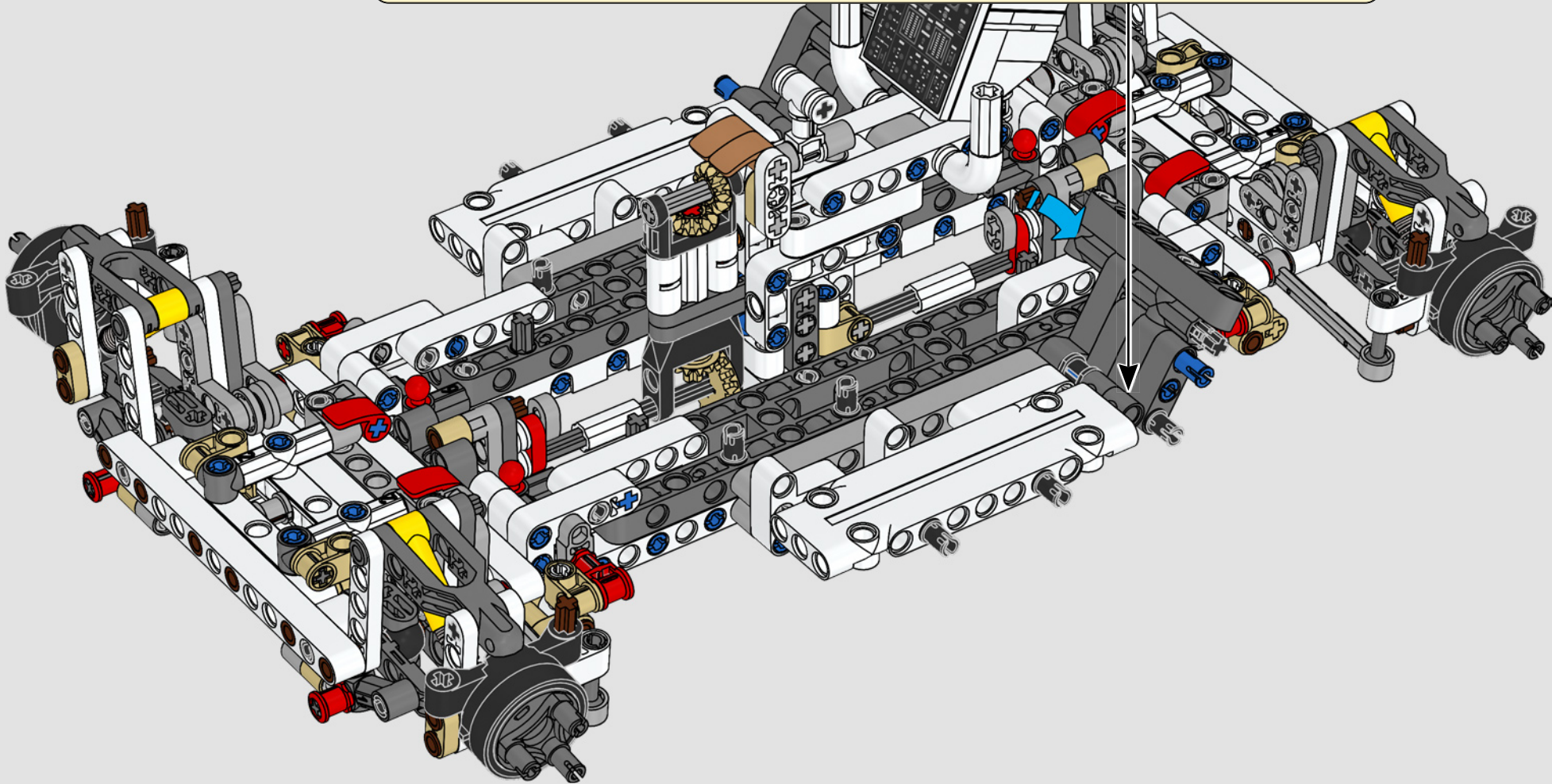
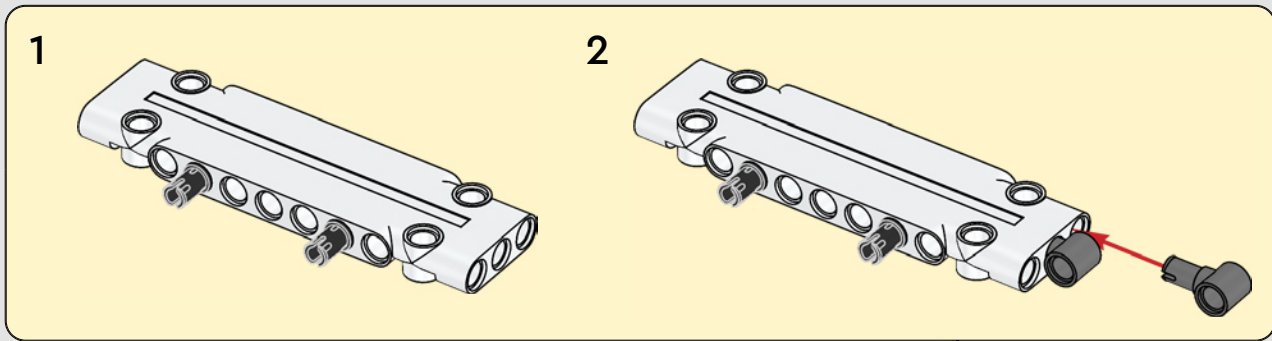
8

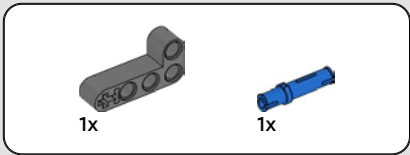




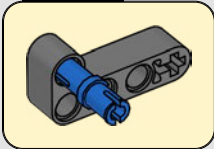
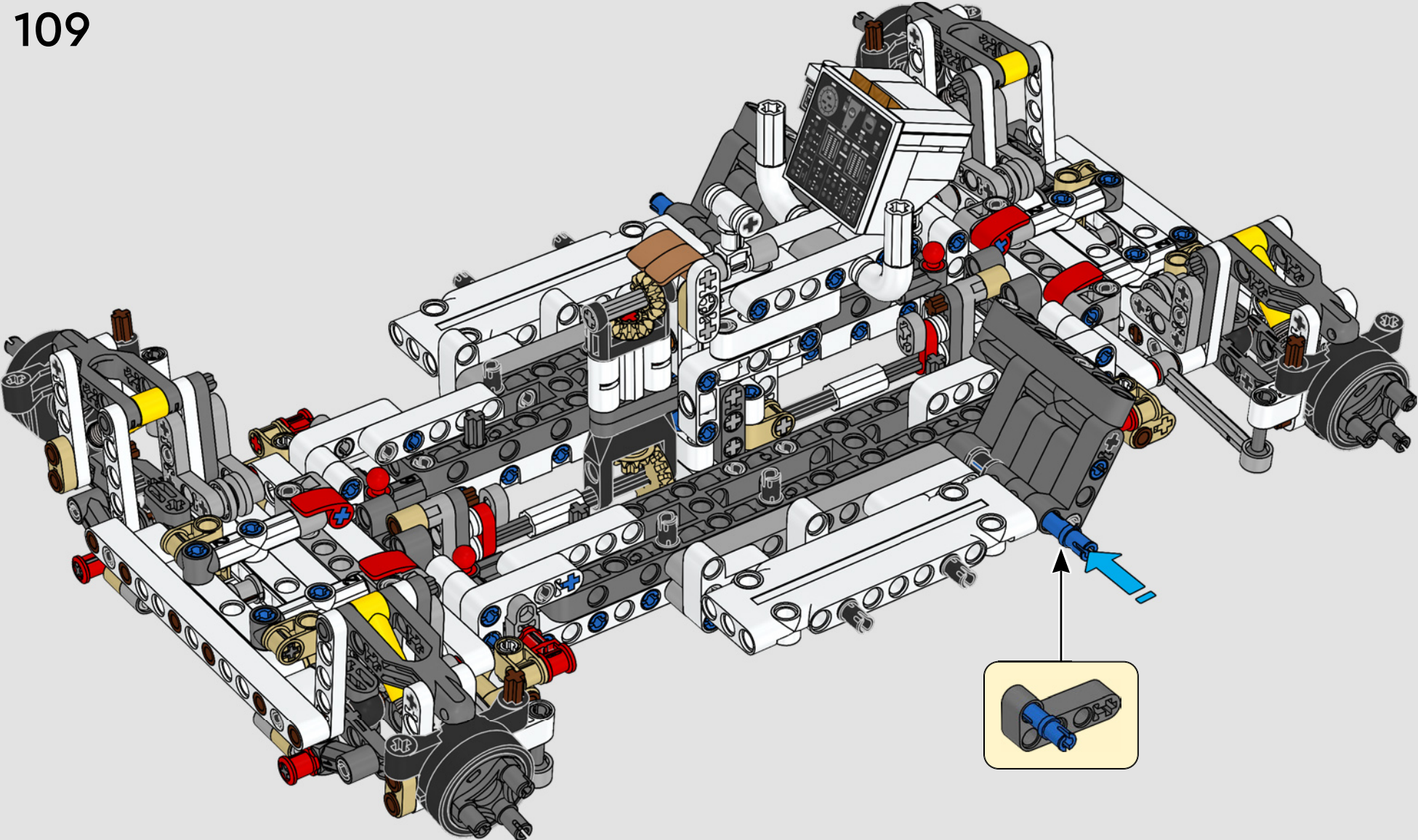


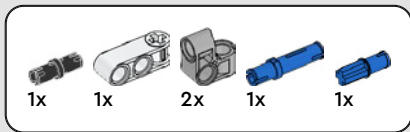
108



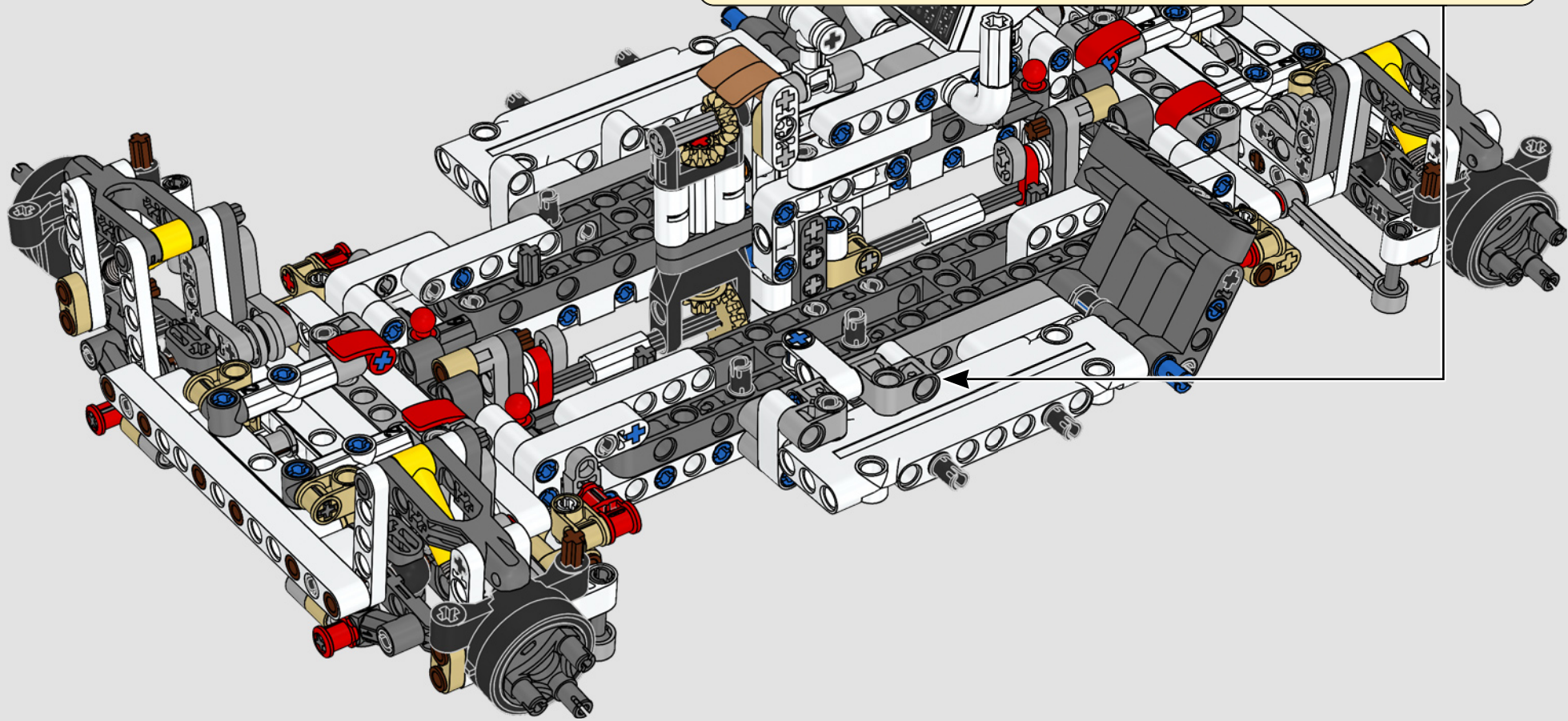
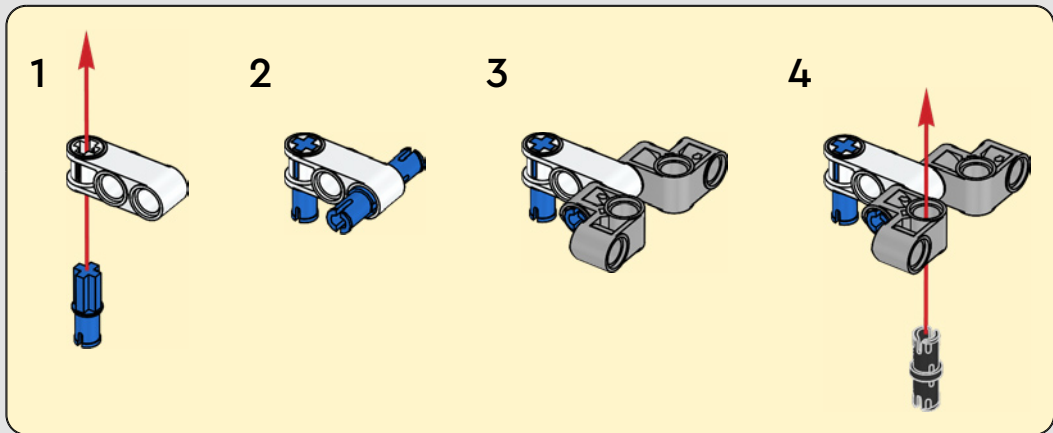


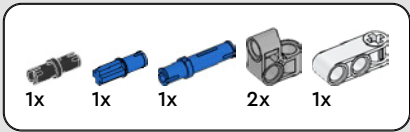
109



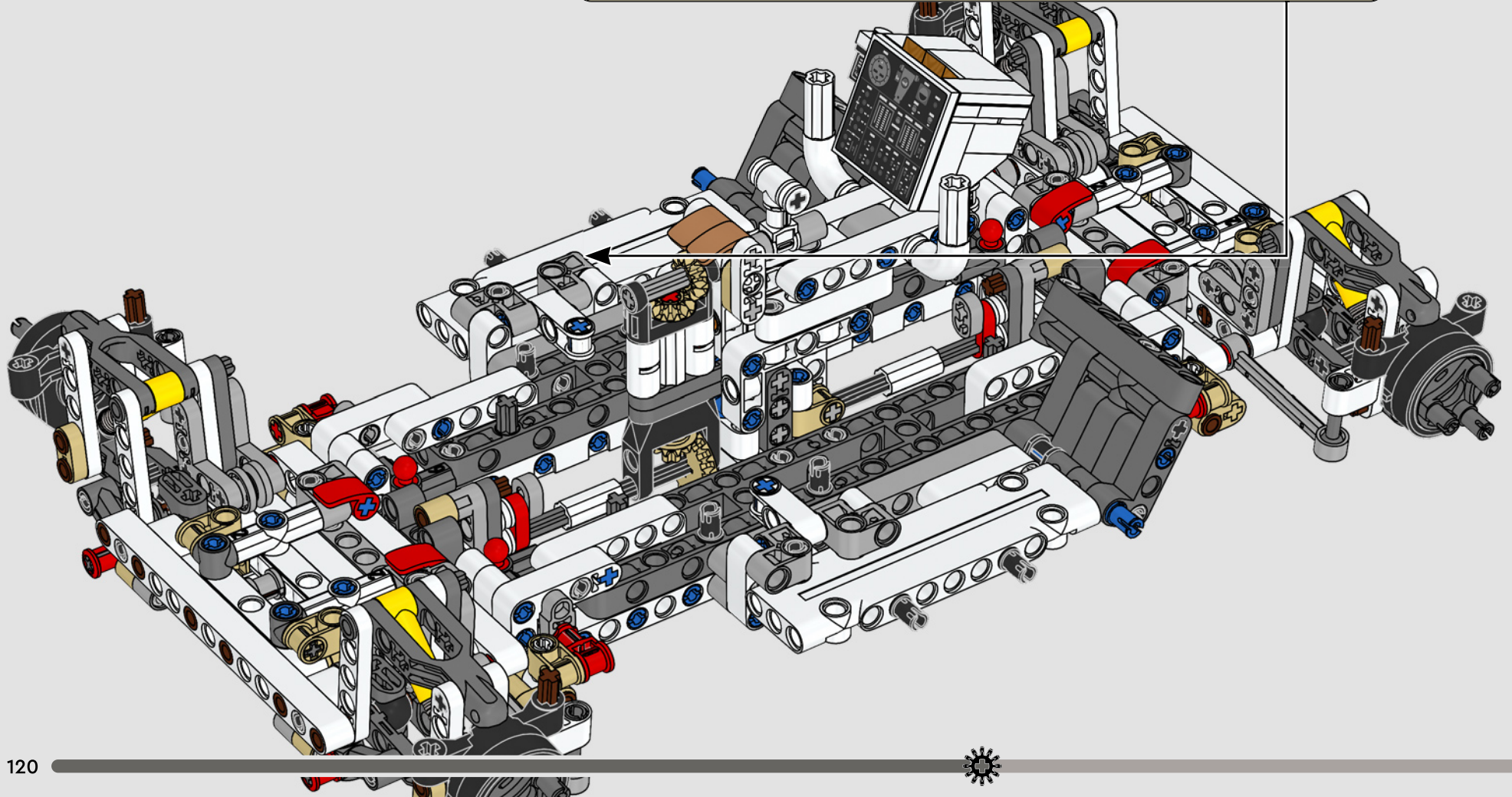
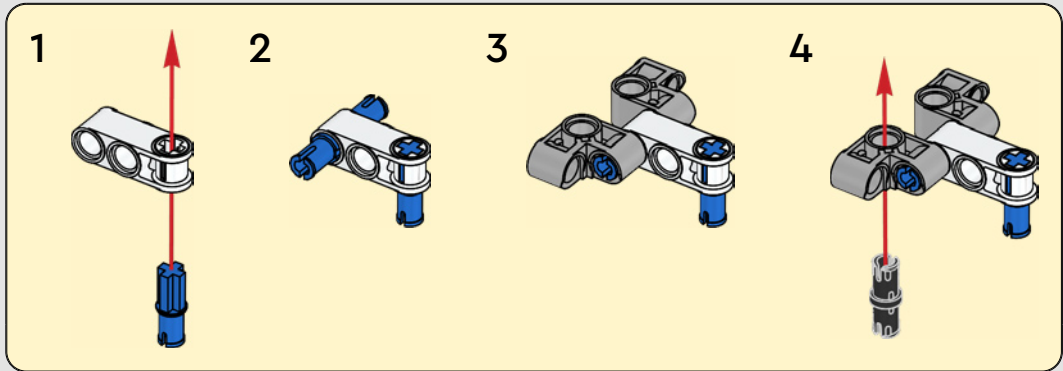


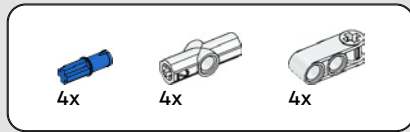
110



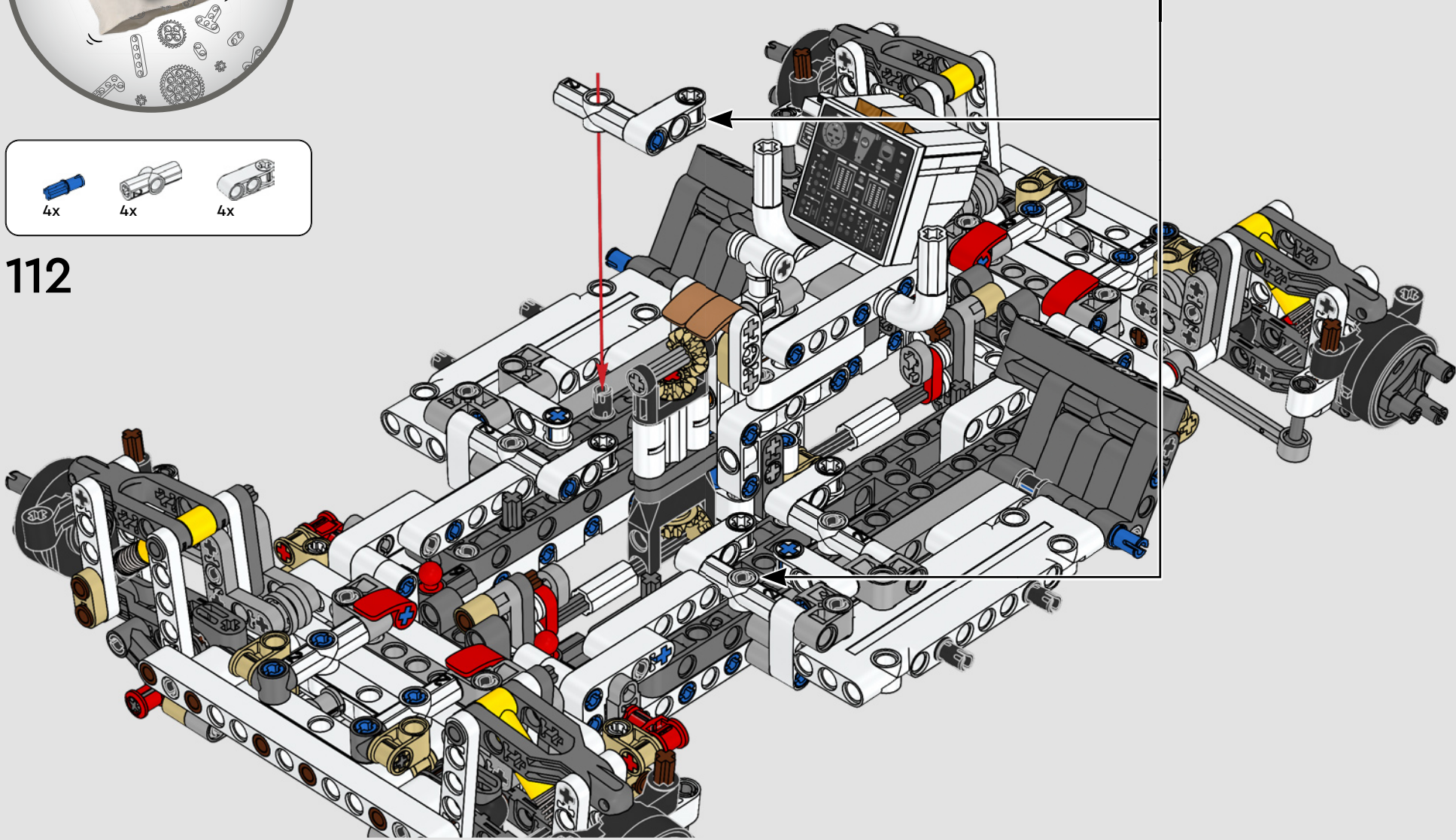
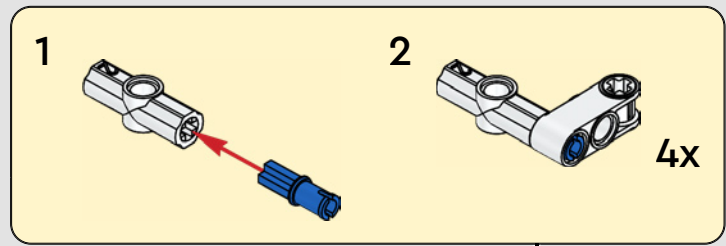


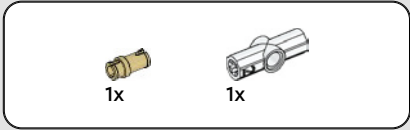
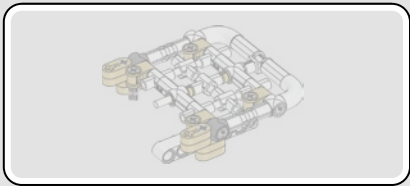
111



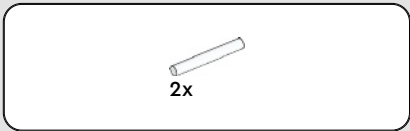
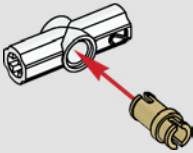


112

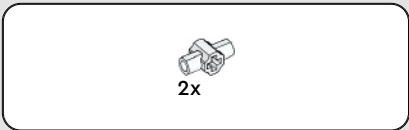
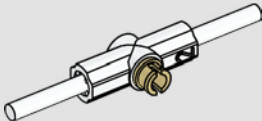




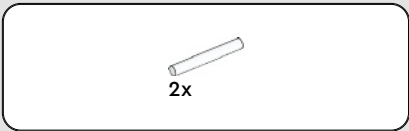
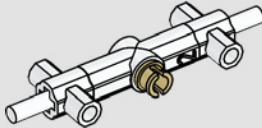
113



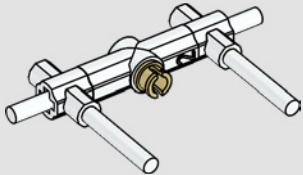
114

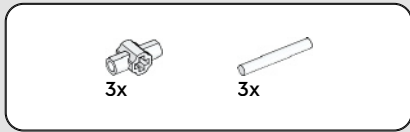


115

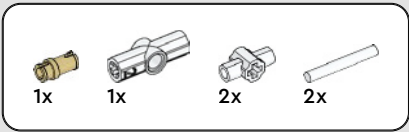
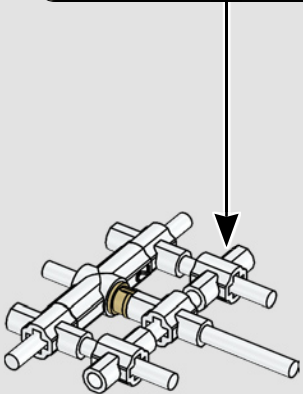
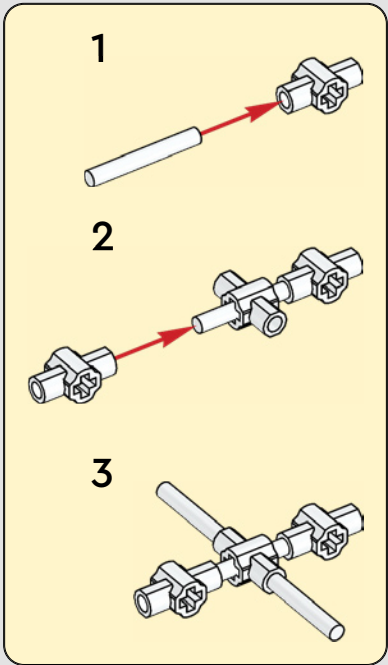


116

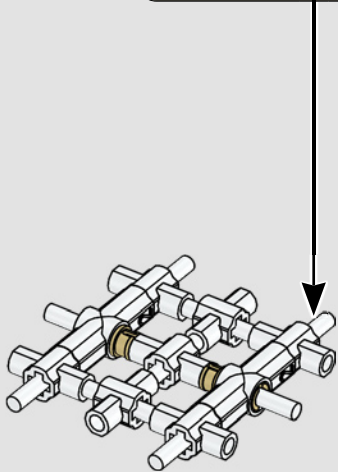
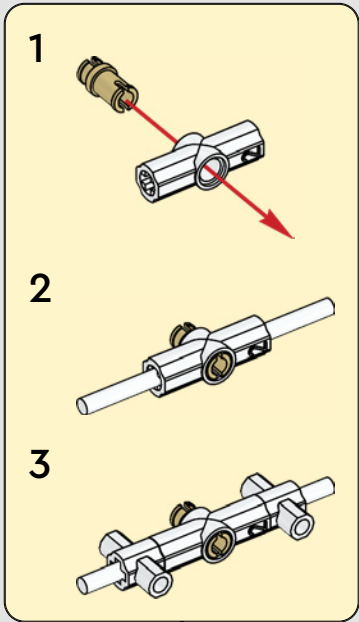


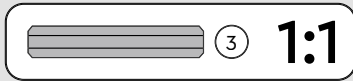
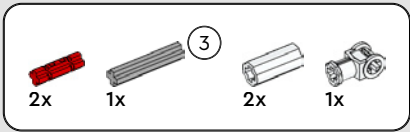


117

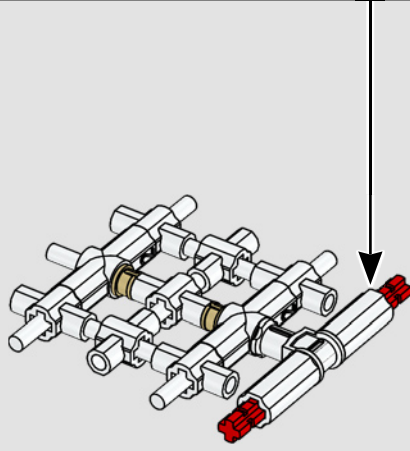
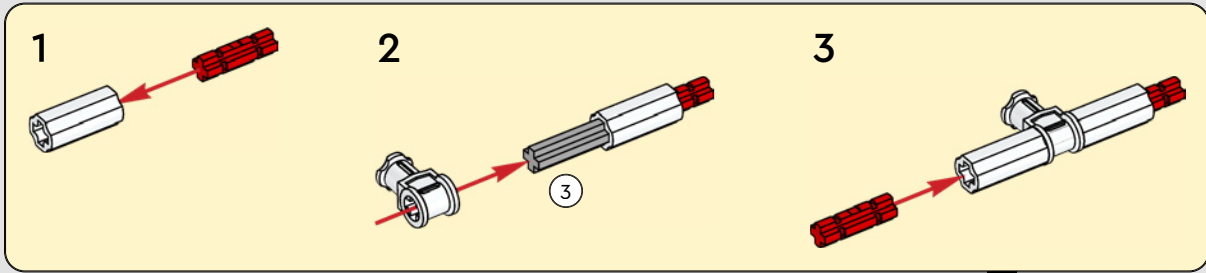


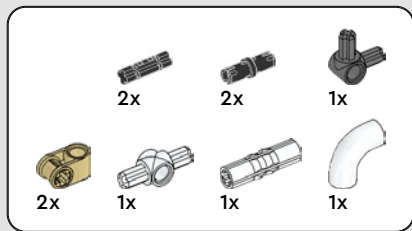
118



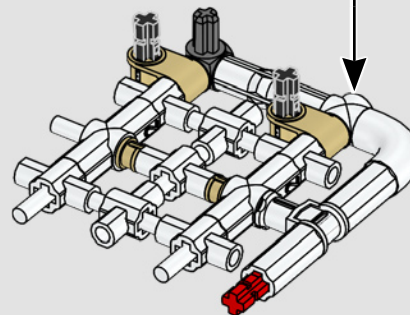
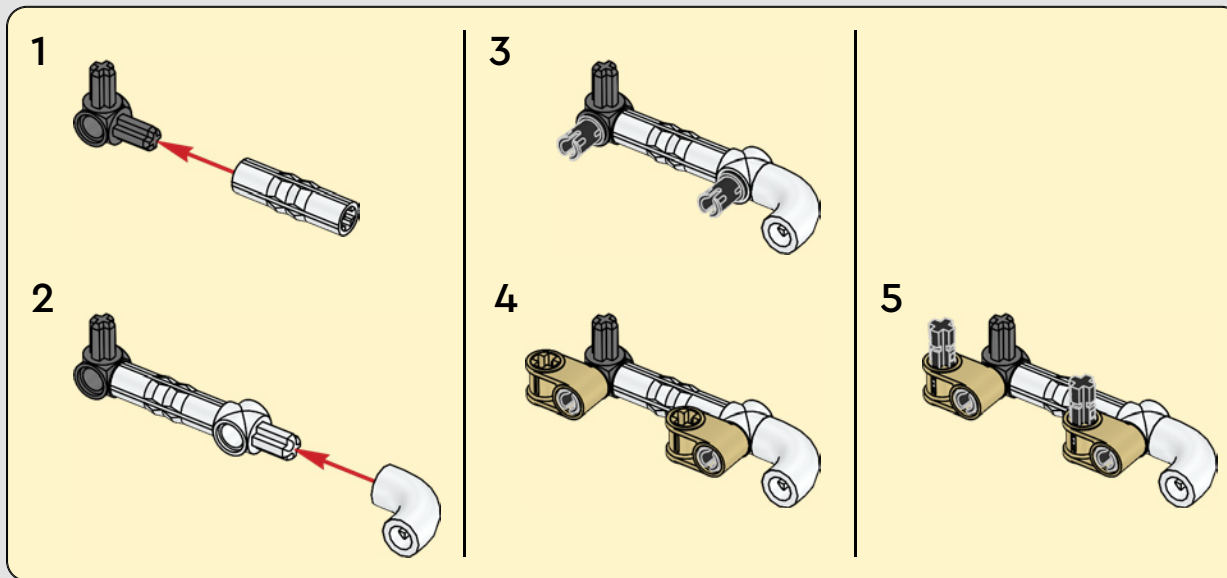


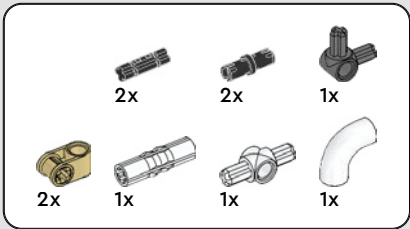
119



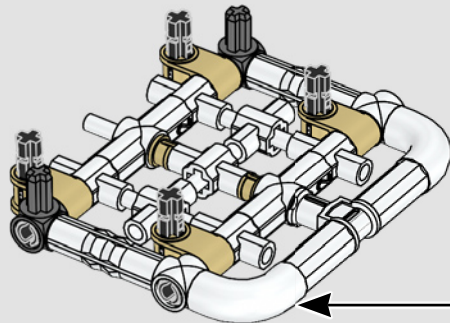
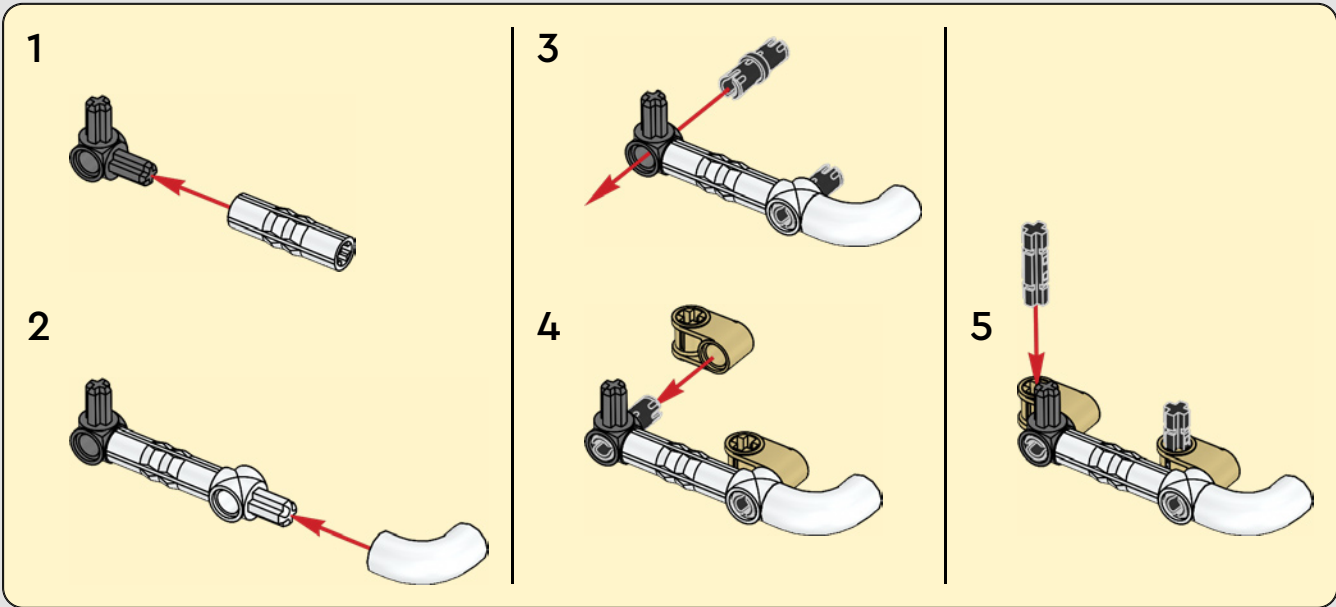


120



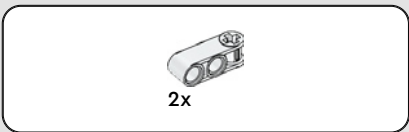
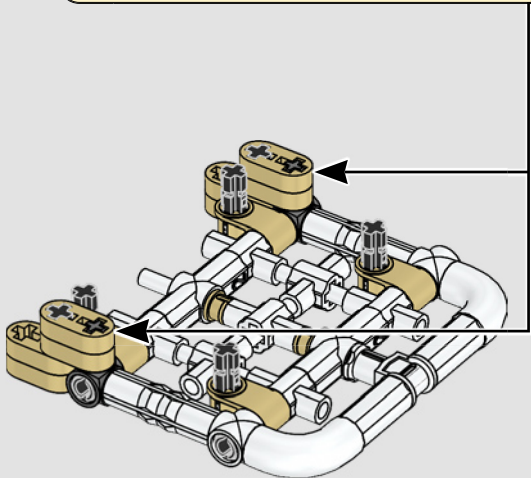
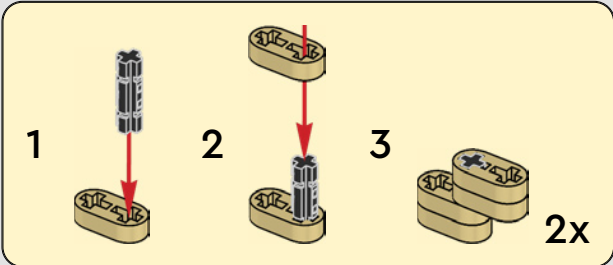


121

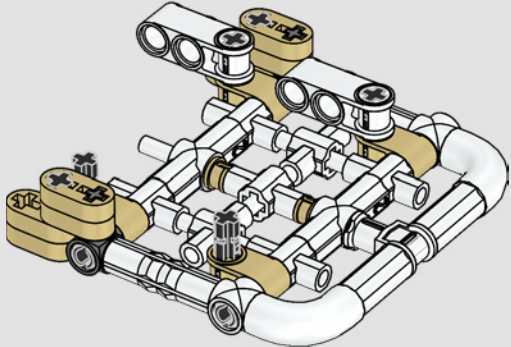




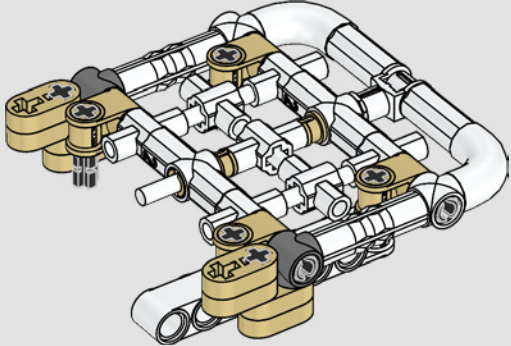
122



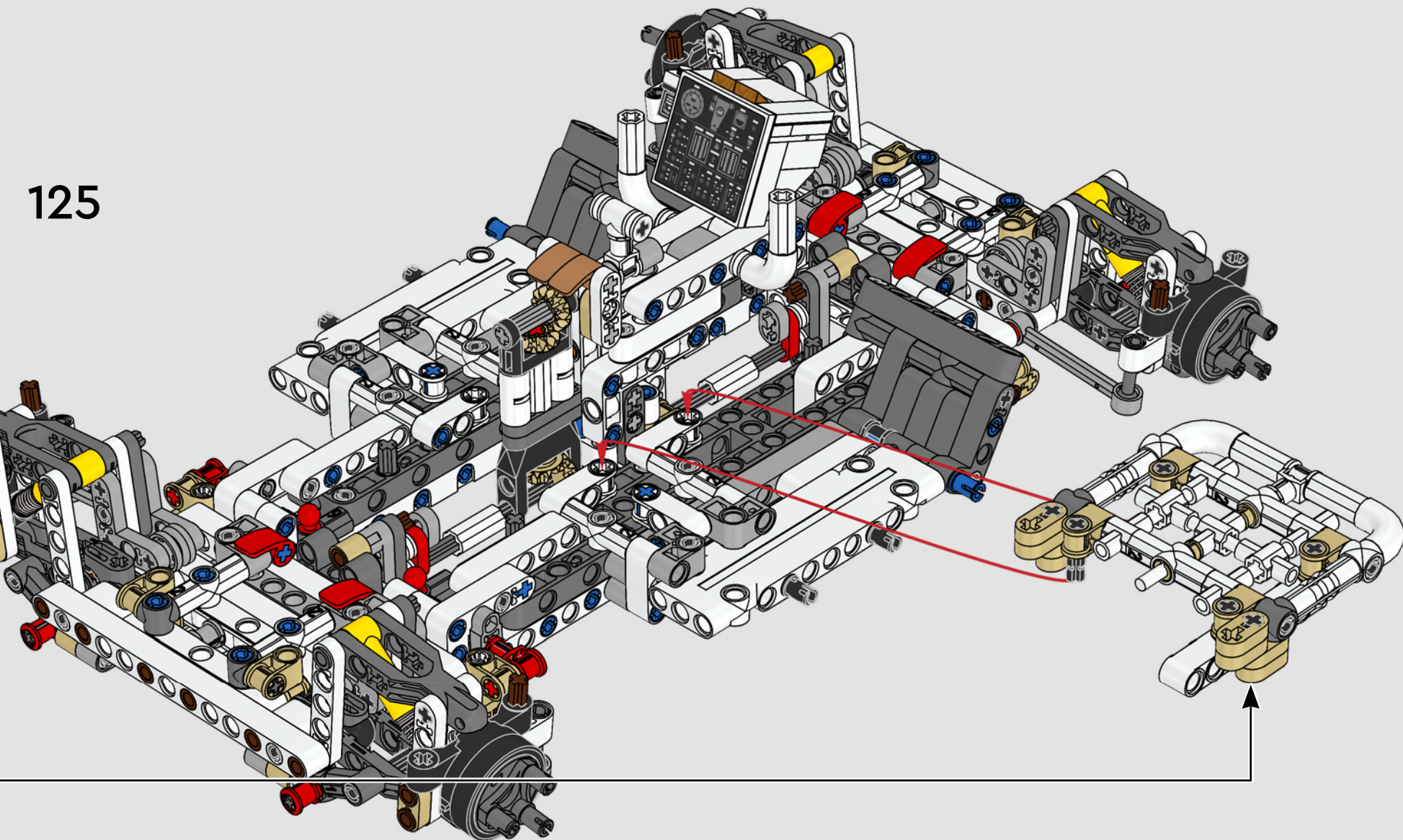
123

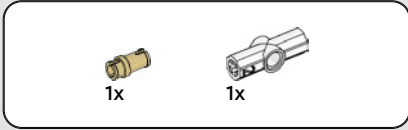
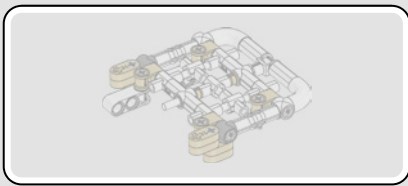


124

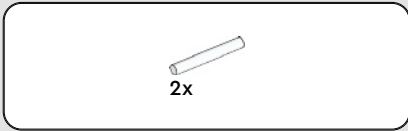
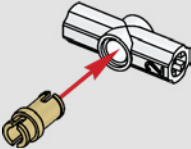


125

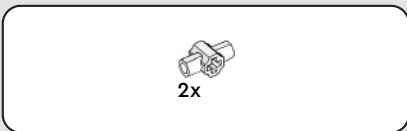
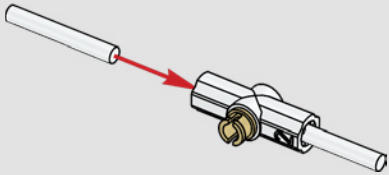




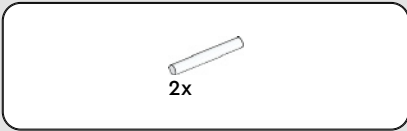
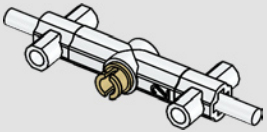
126



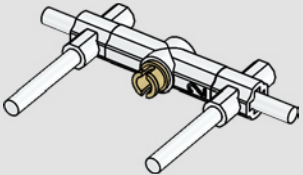
127

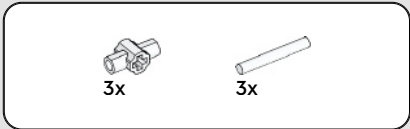


128

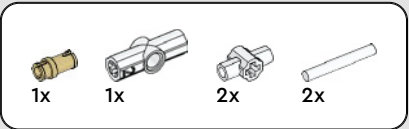
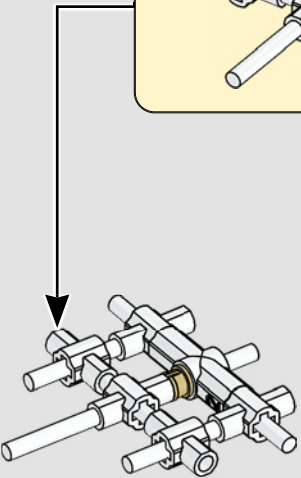
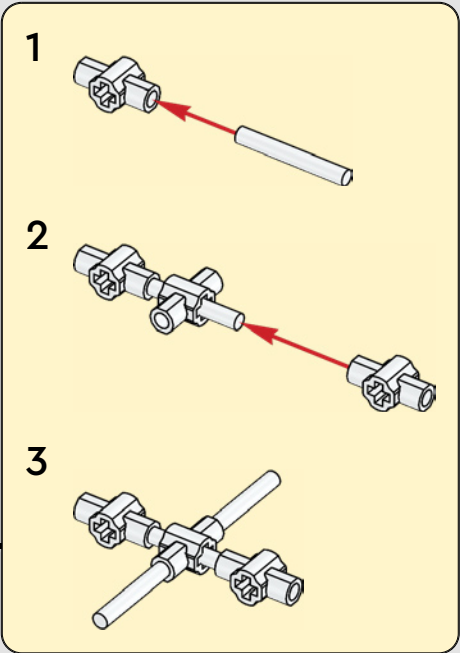


129

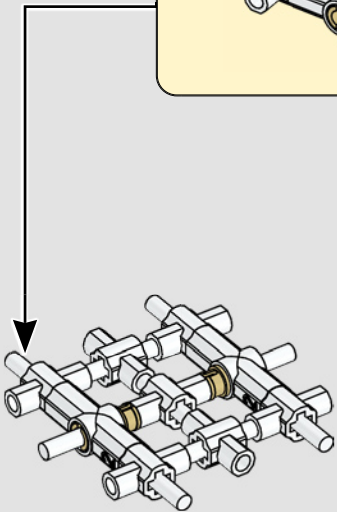
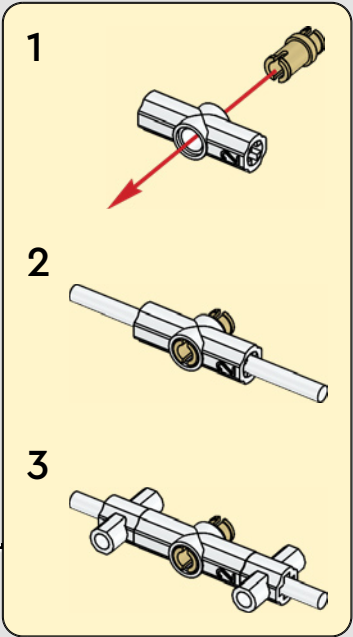


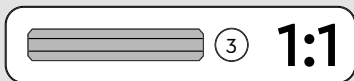
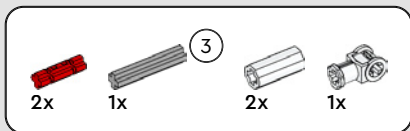


130

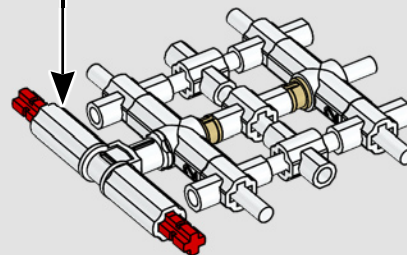
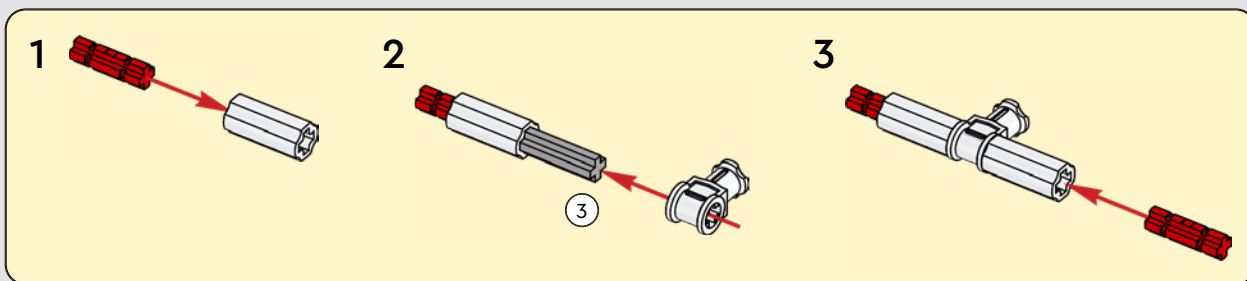


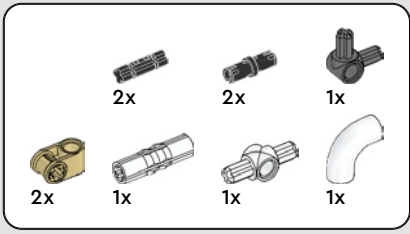
131



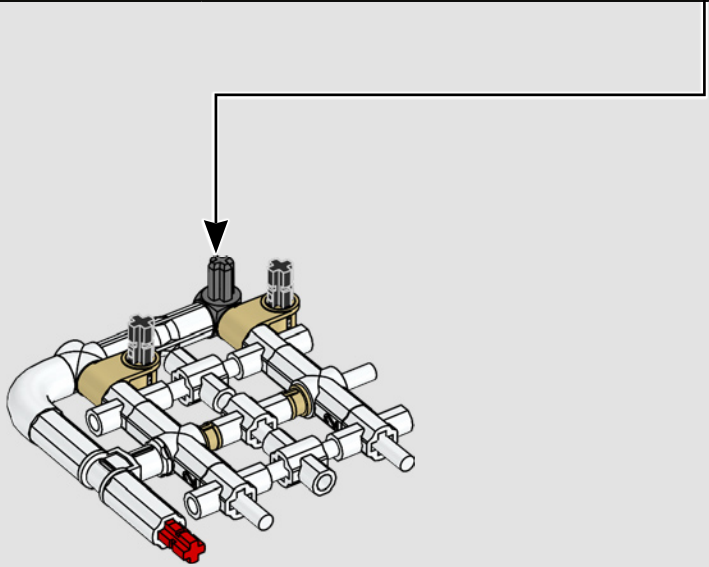
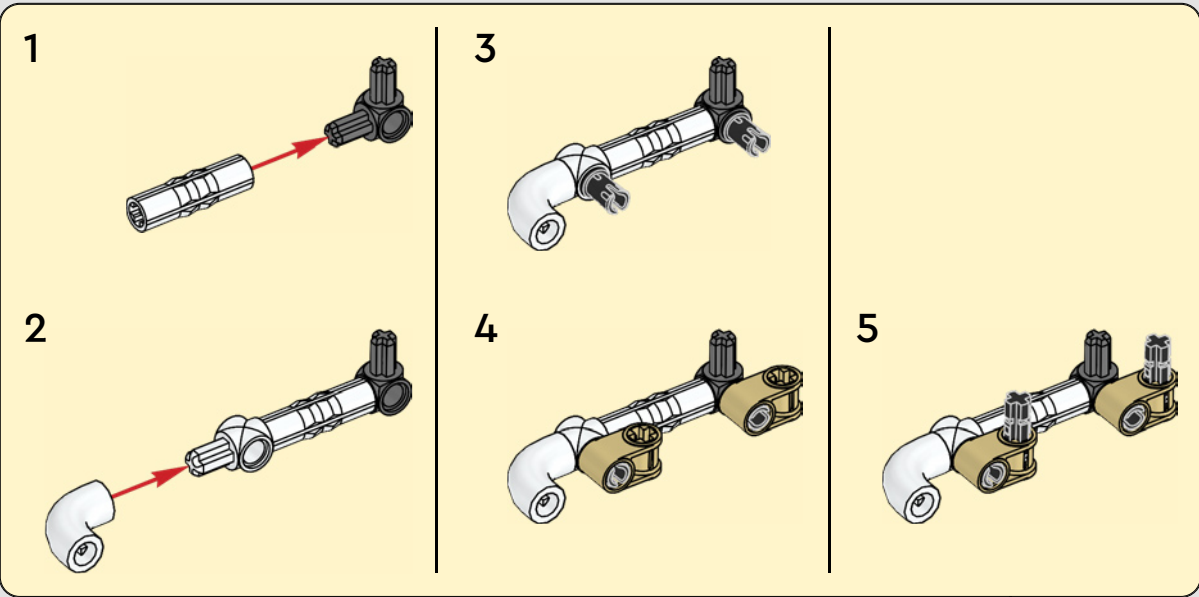


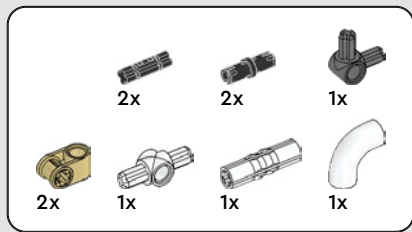
132



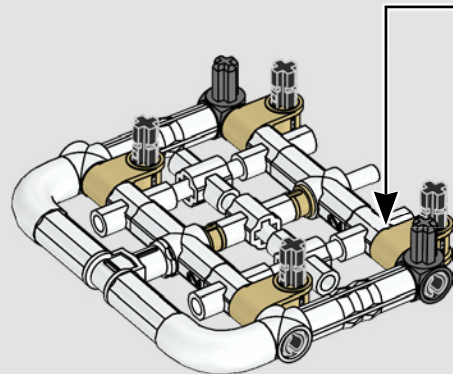
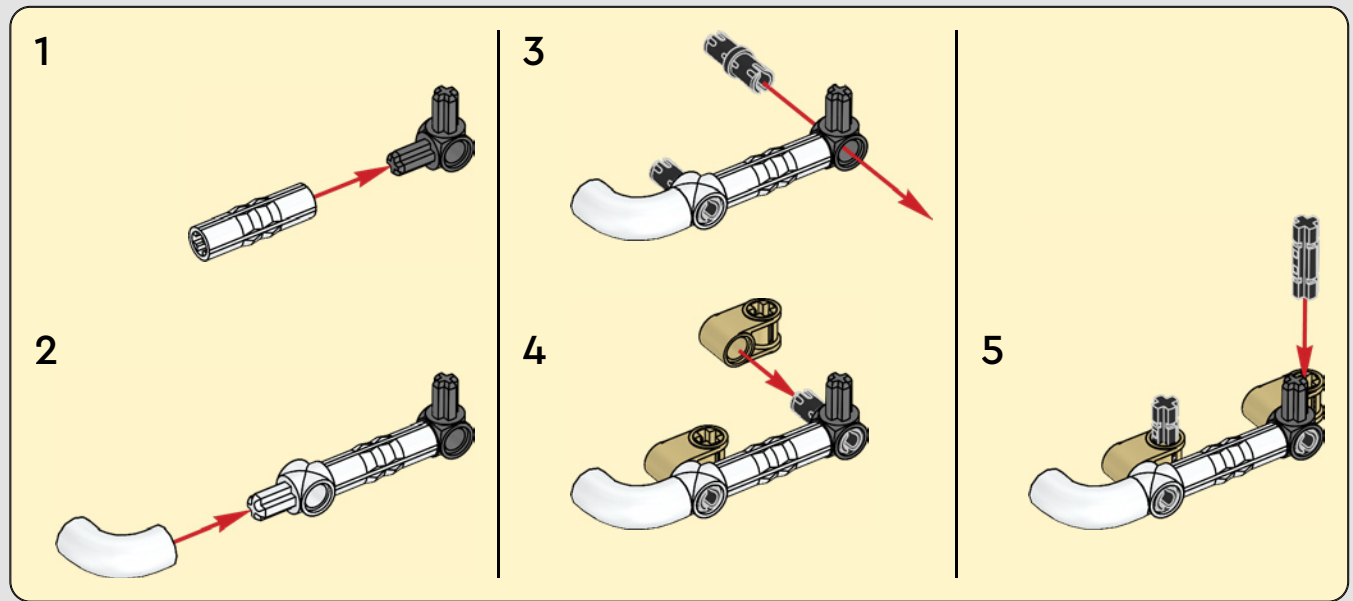


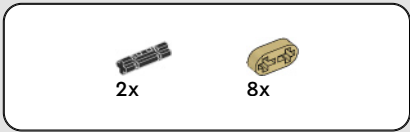
133



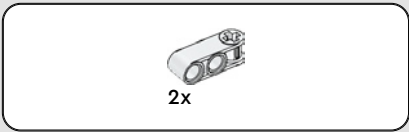
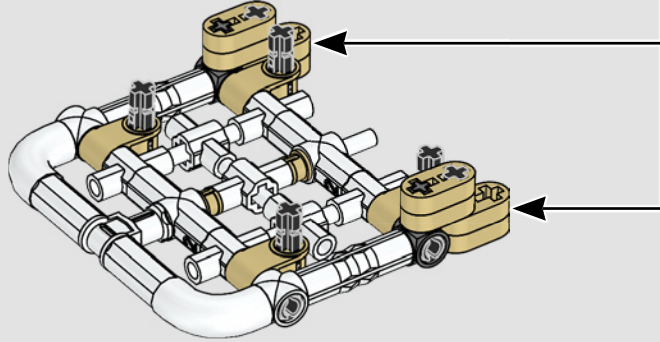
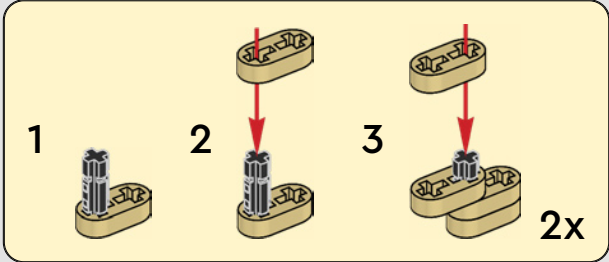


134

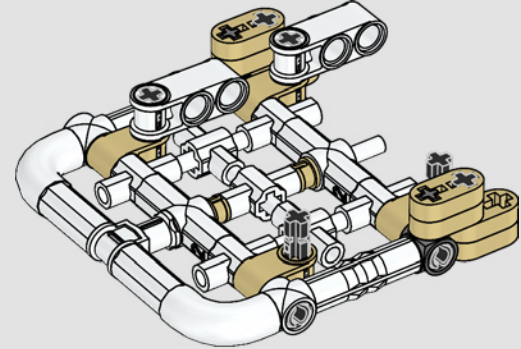




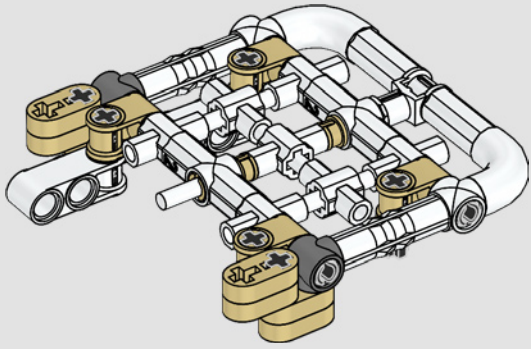
135



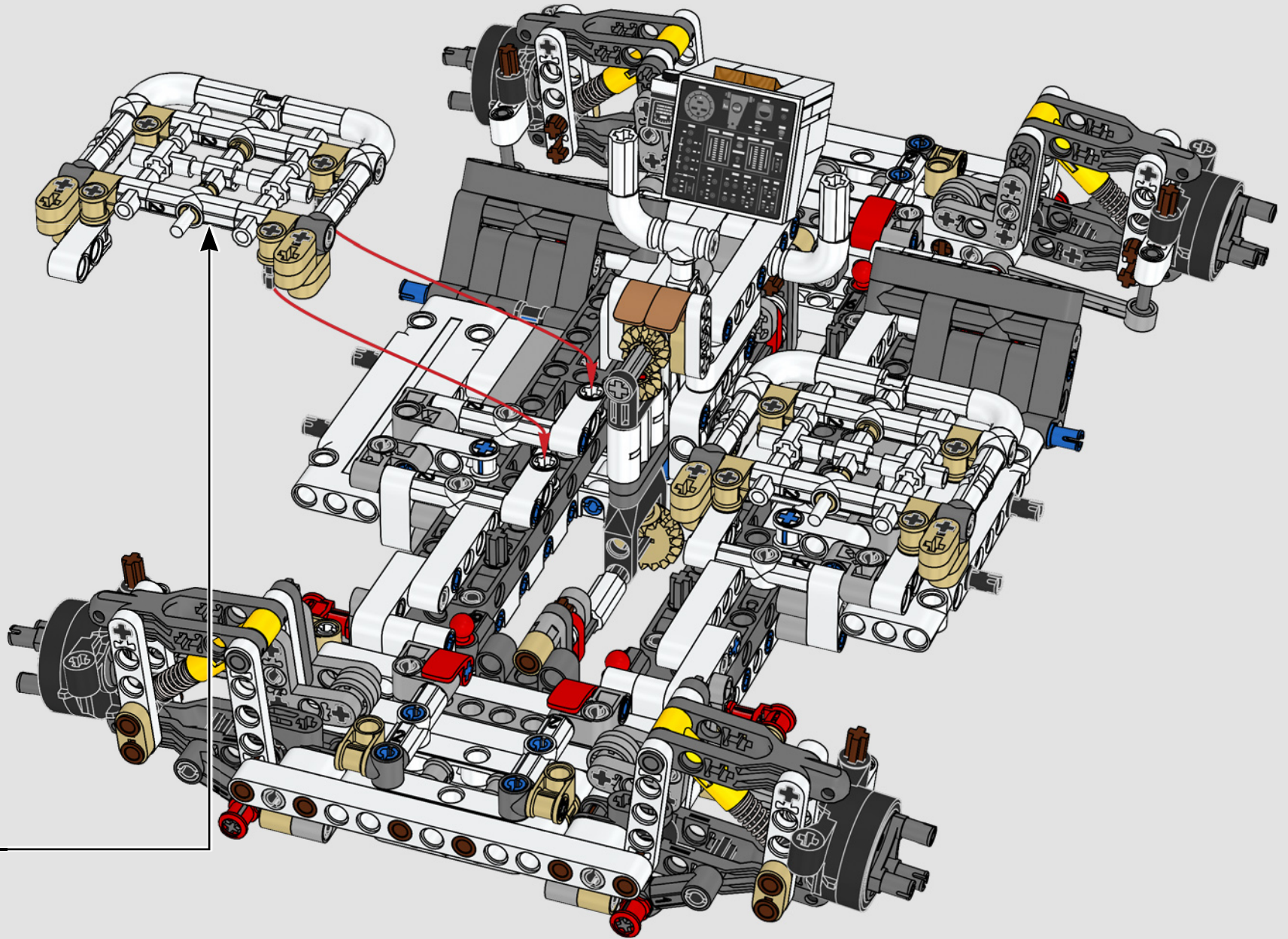
136

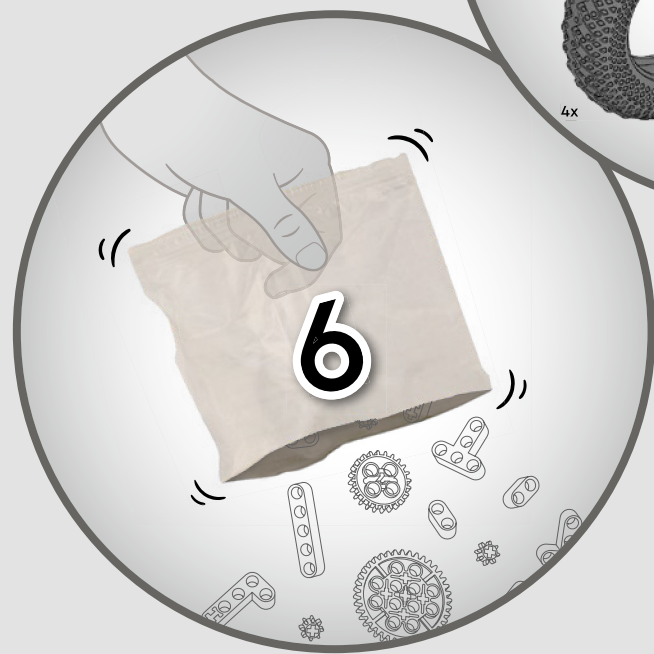
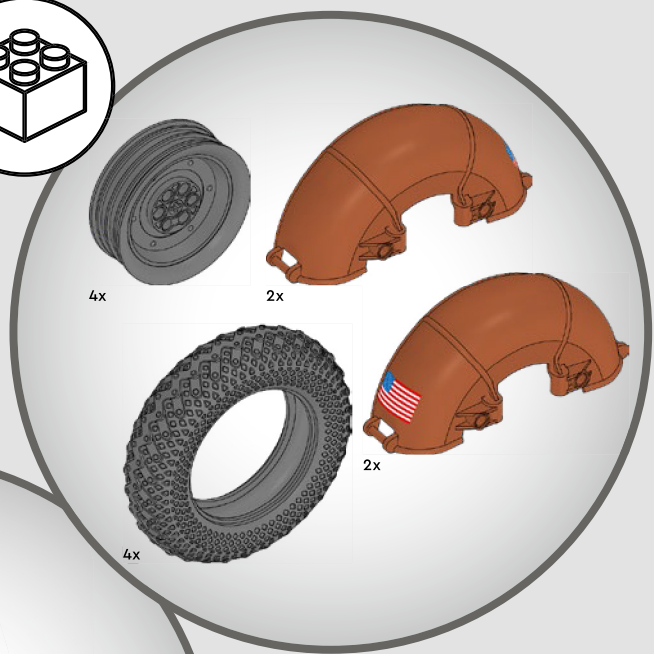
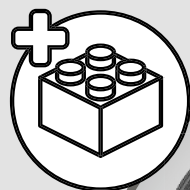


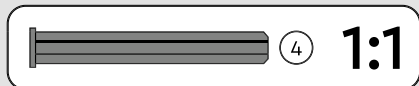
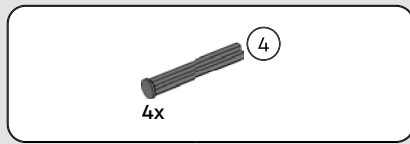
137



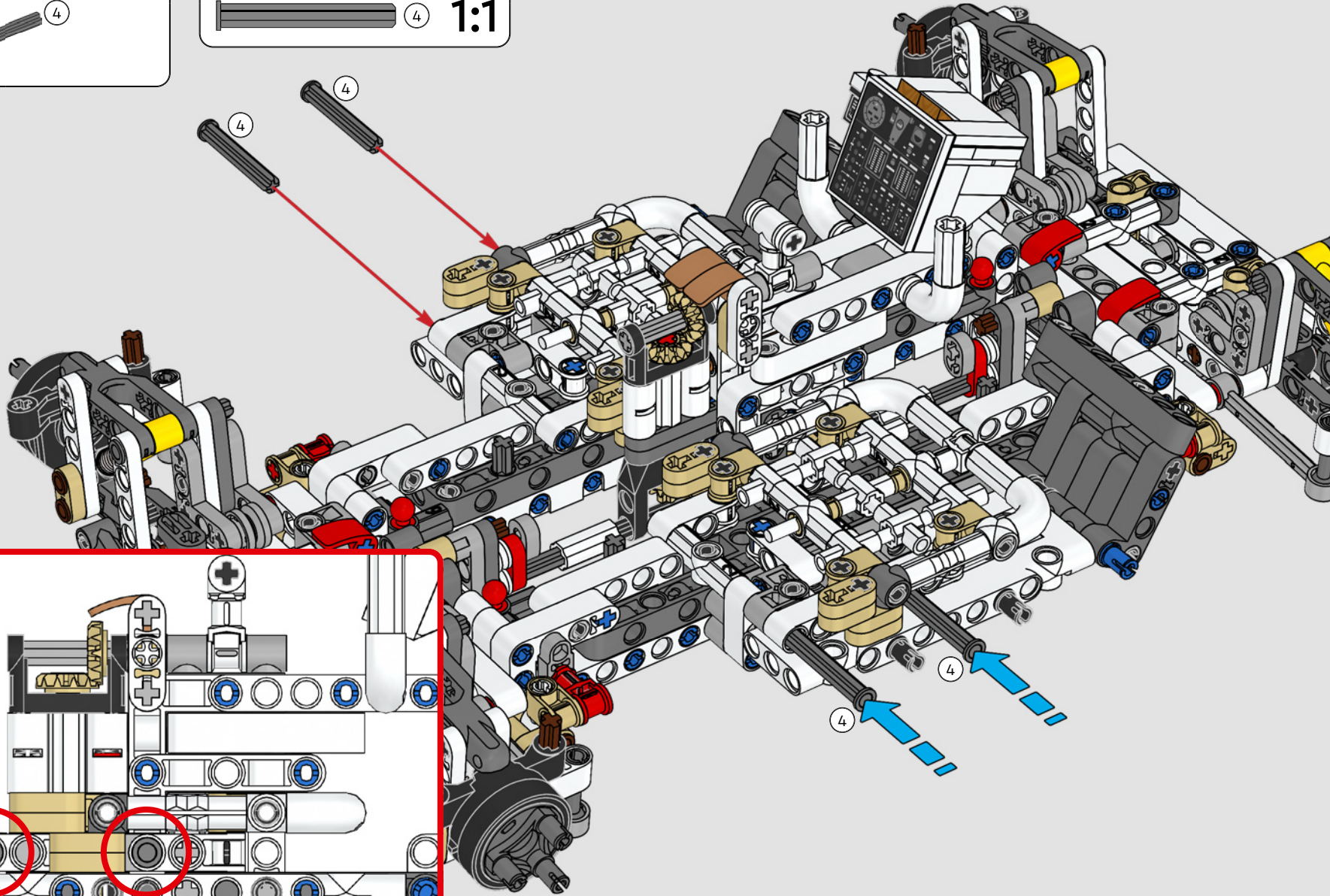
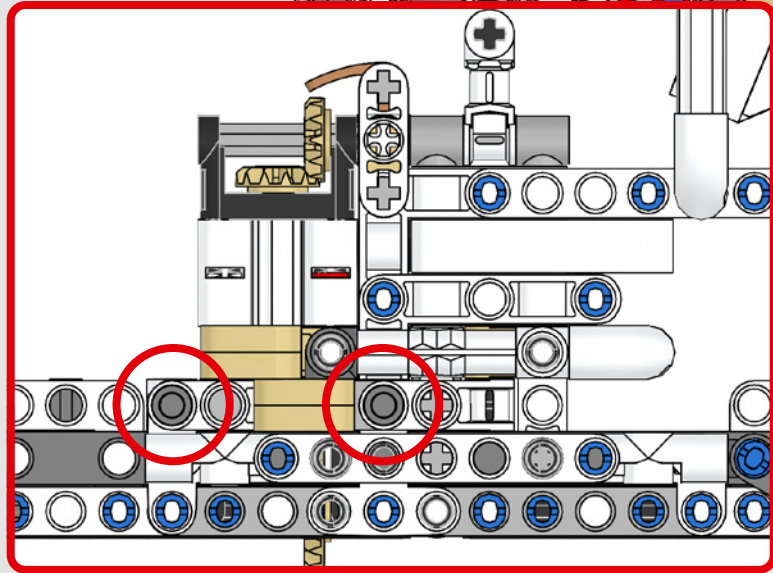
138



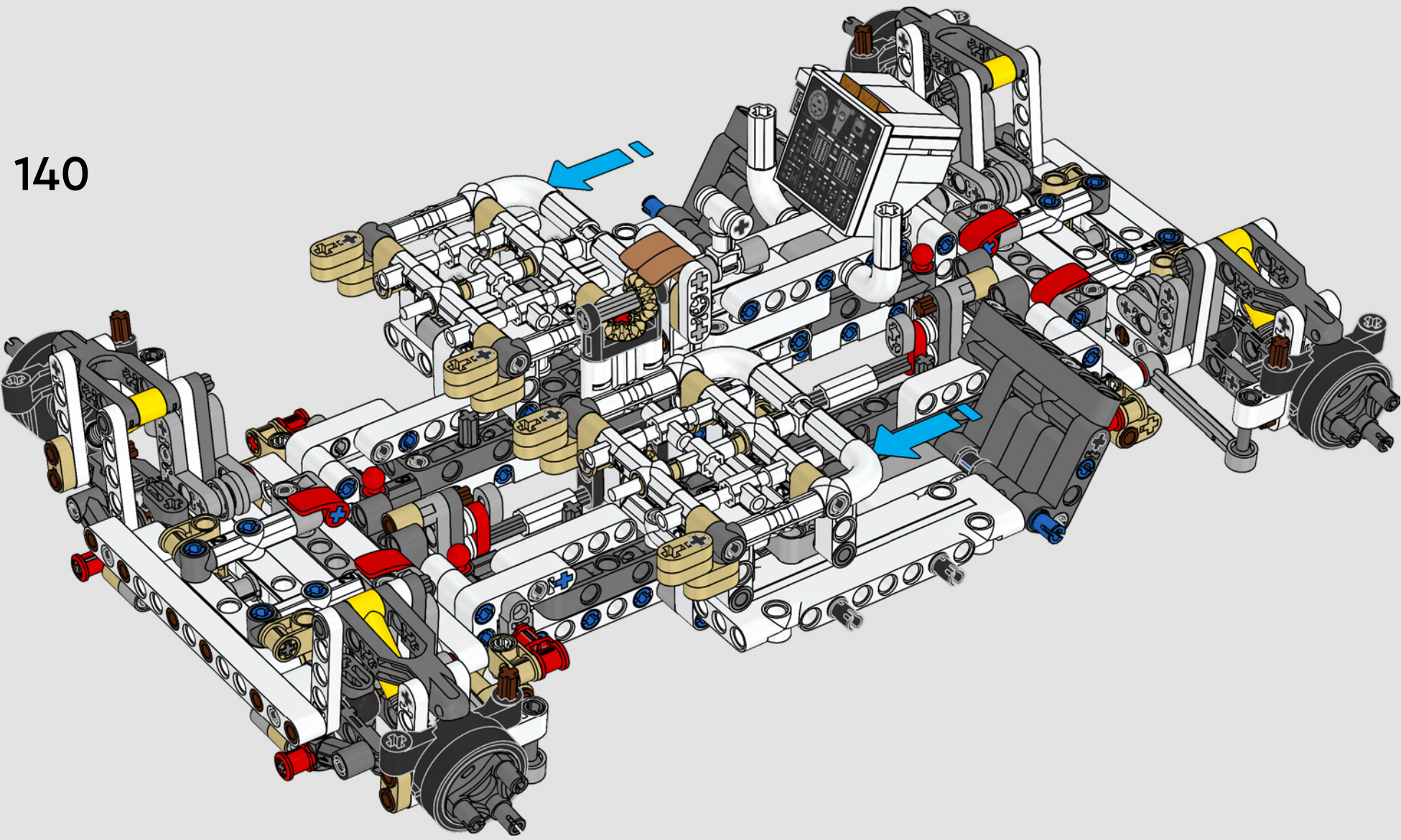


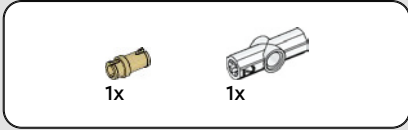
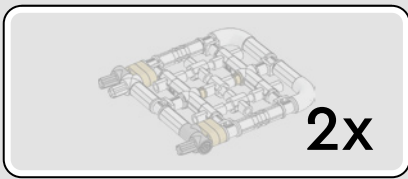


139

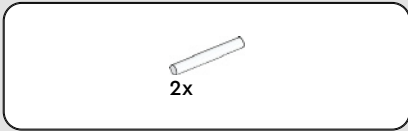
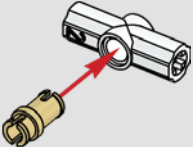


140

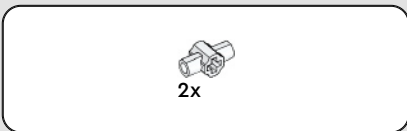
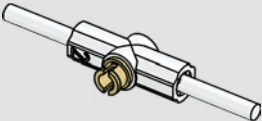




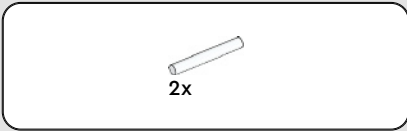
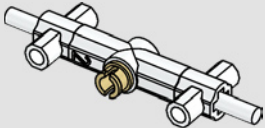
141



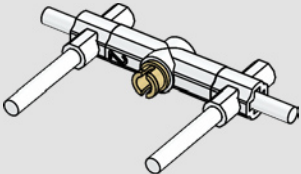
142

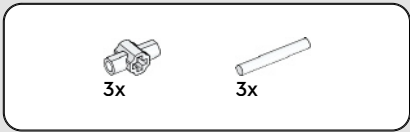


143

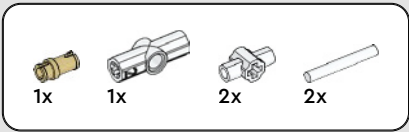
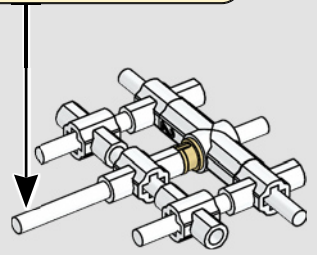
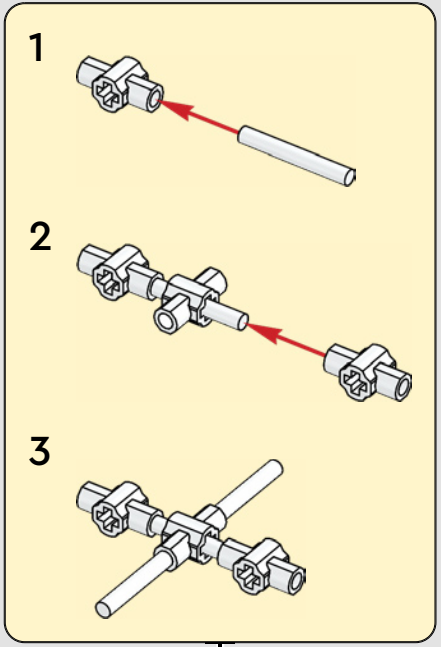


144

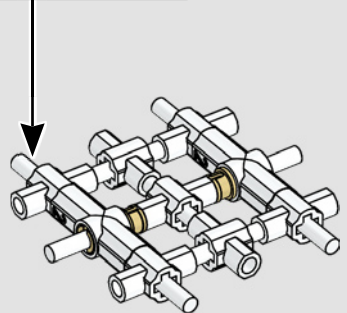
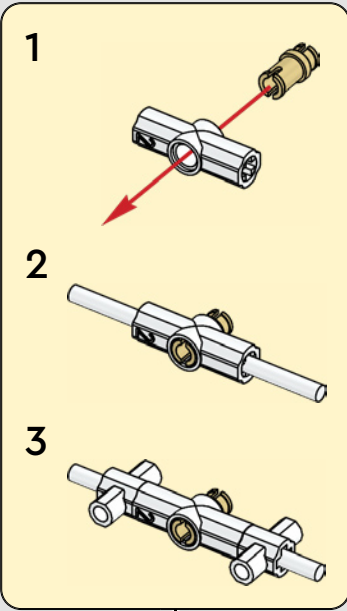


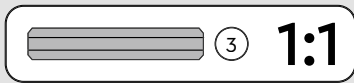
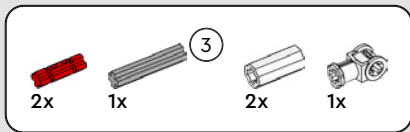


145

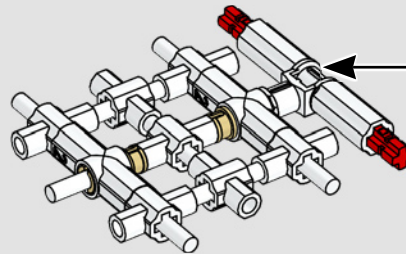
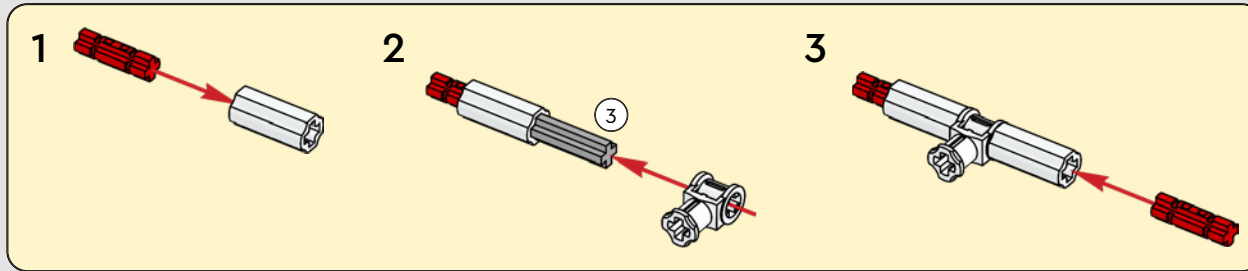


146

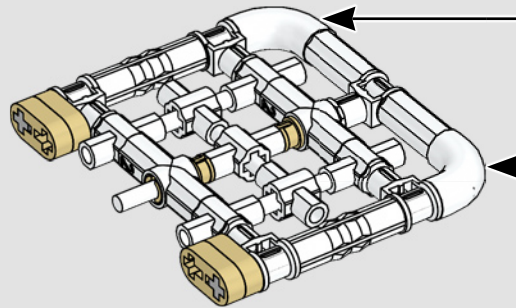
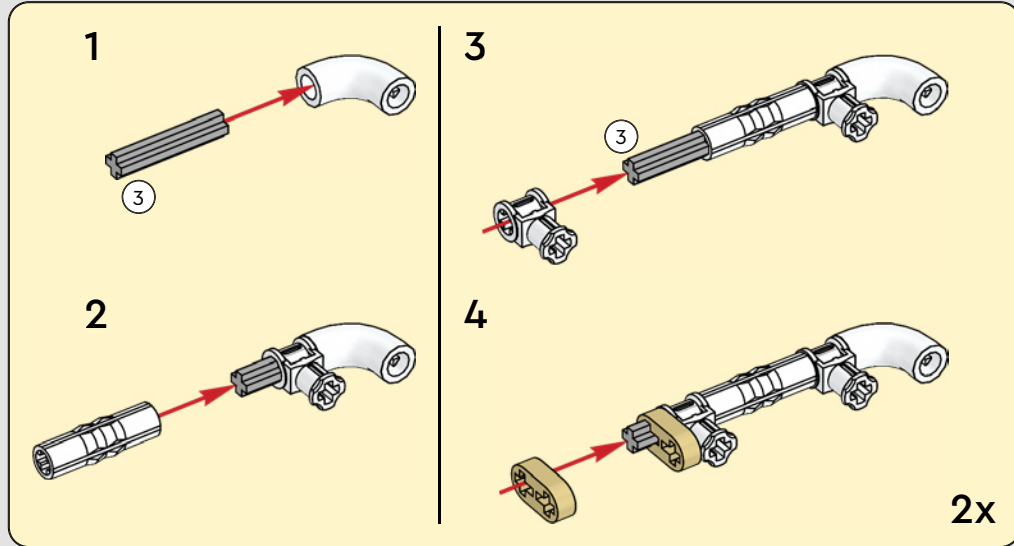
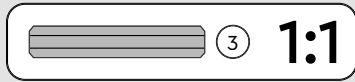
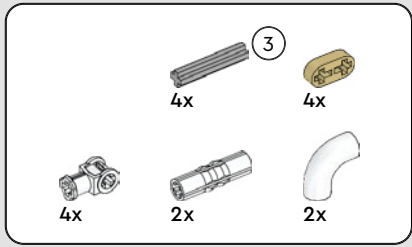


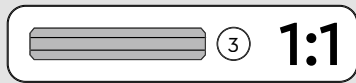
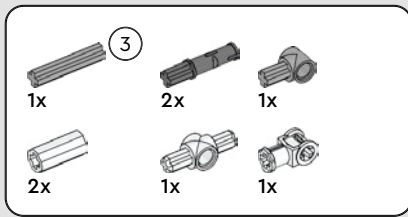


147

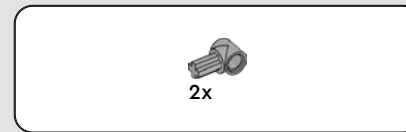
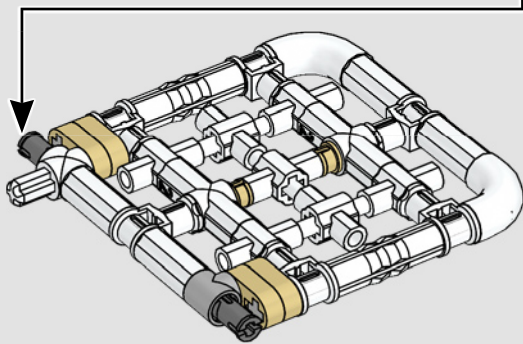
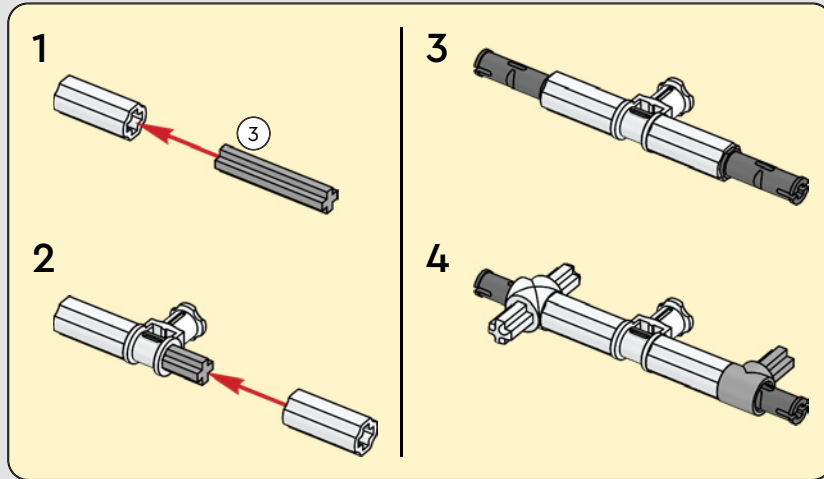


148

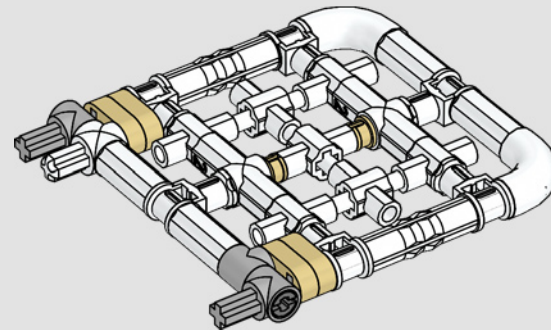




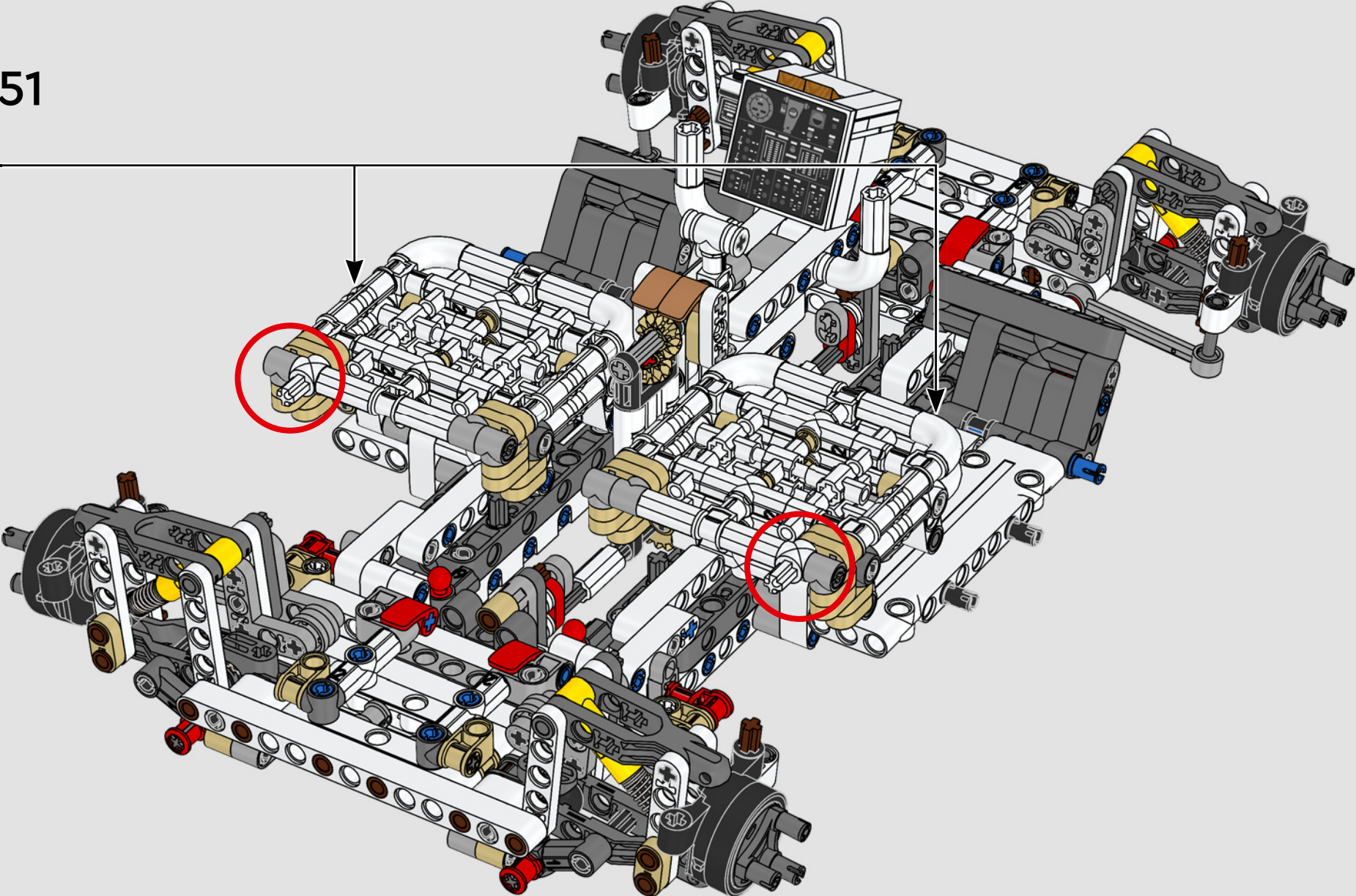
149

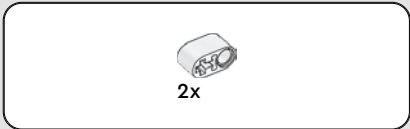


150

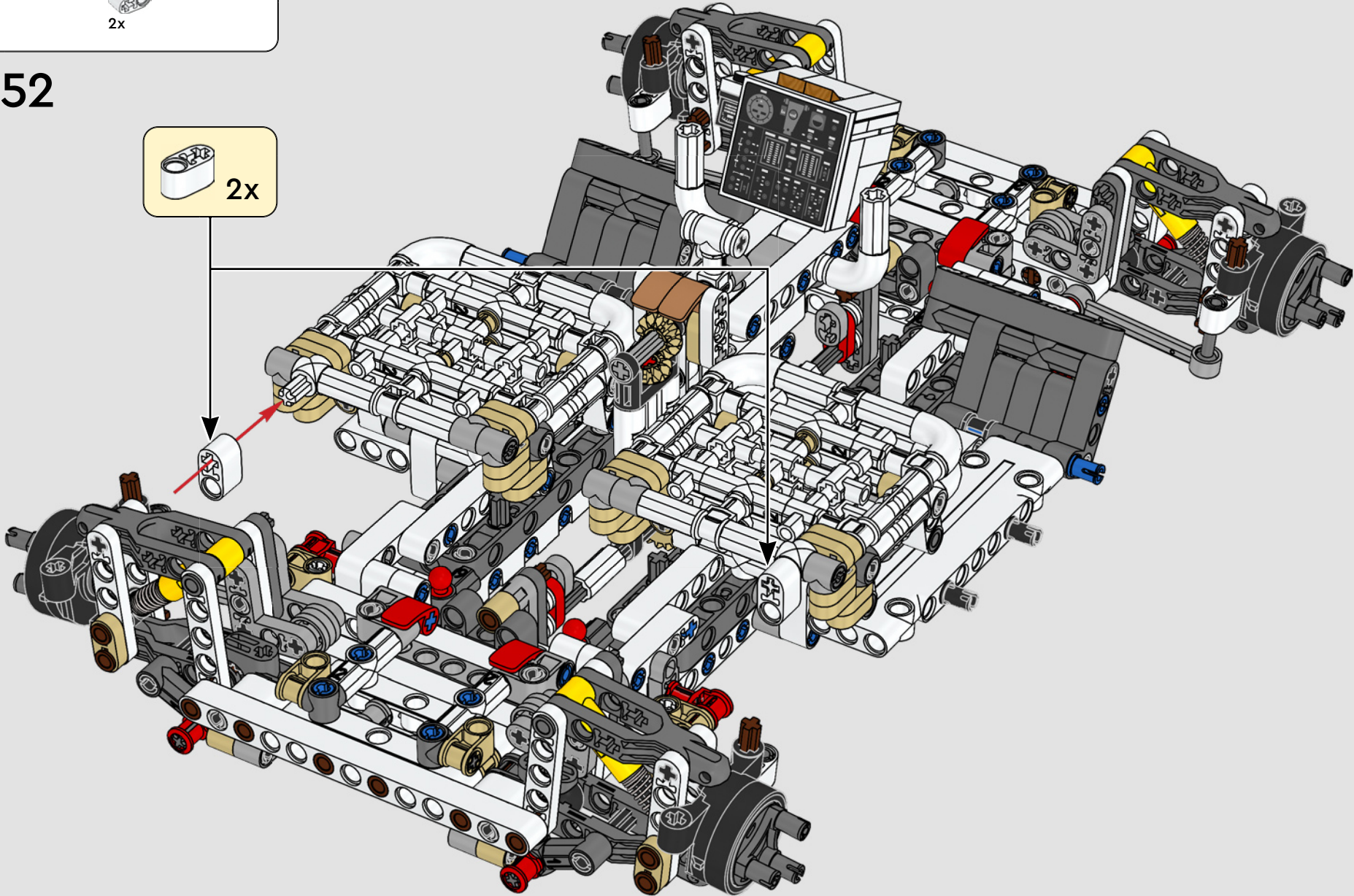
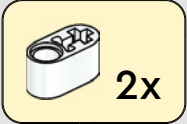


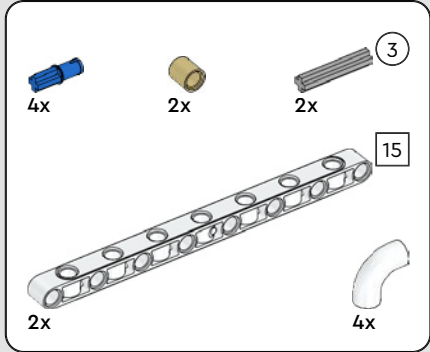
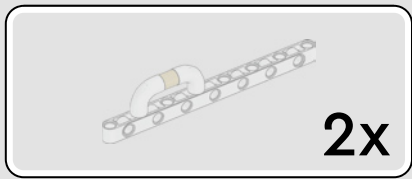
2x



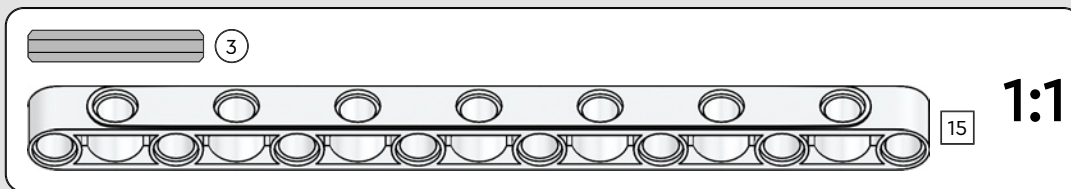
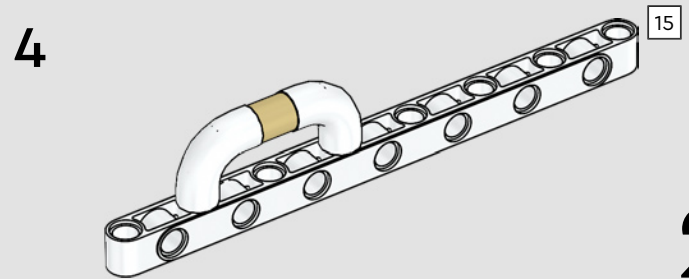
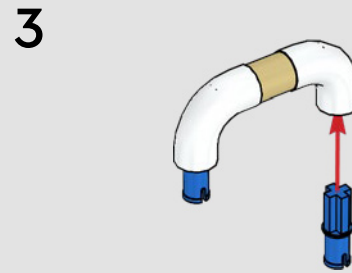
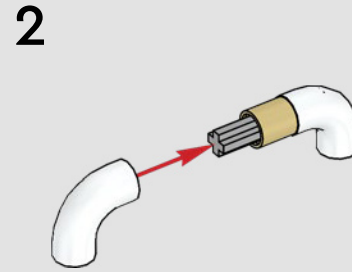
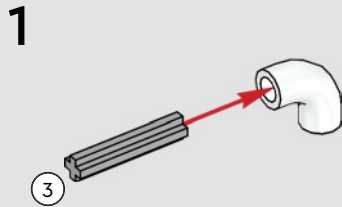


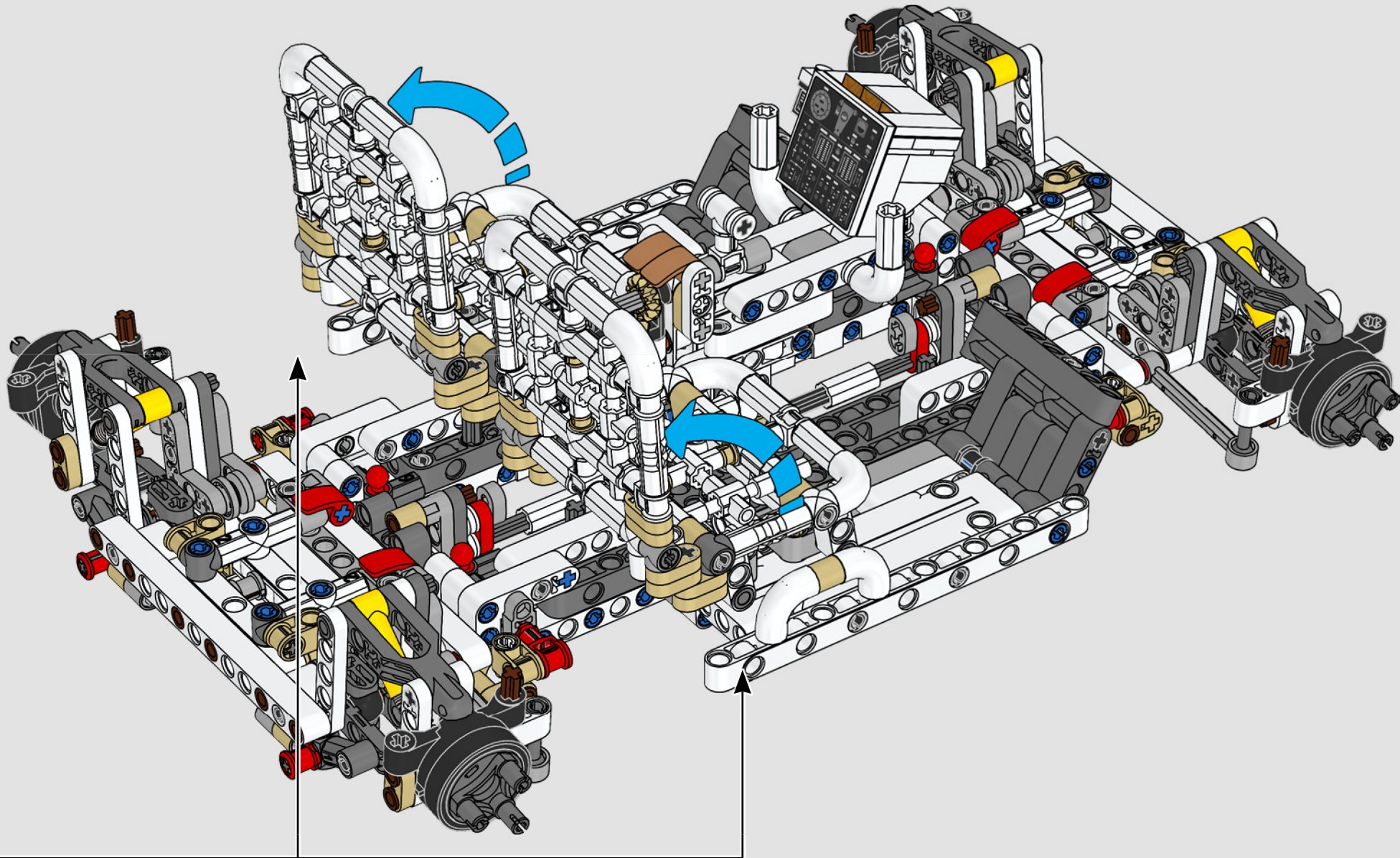
152





153





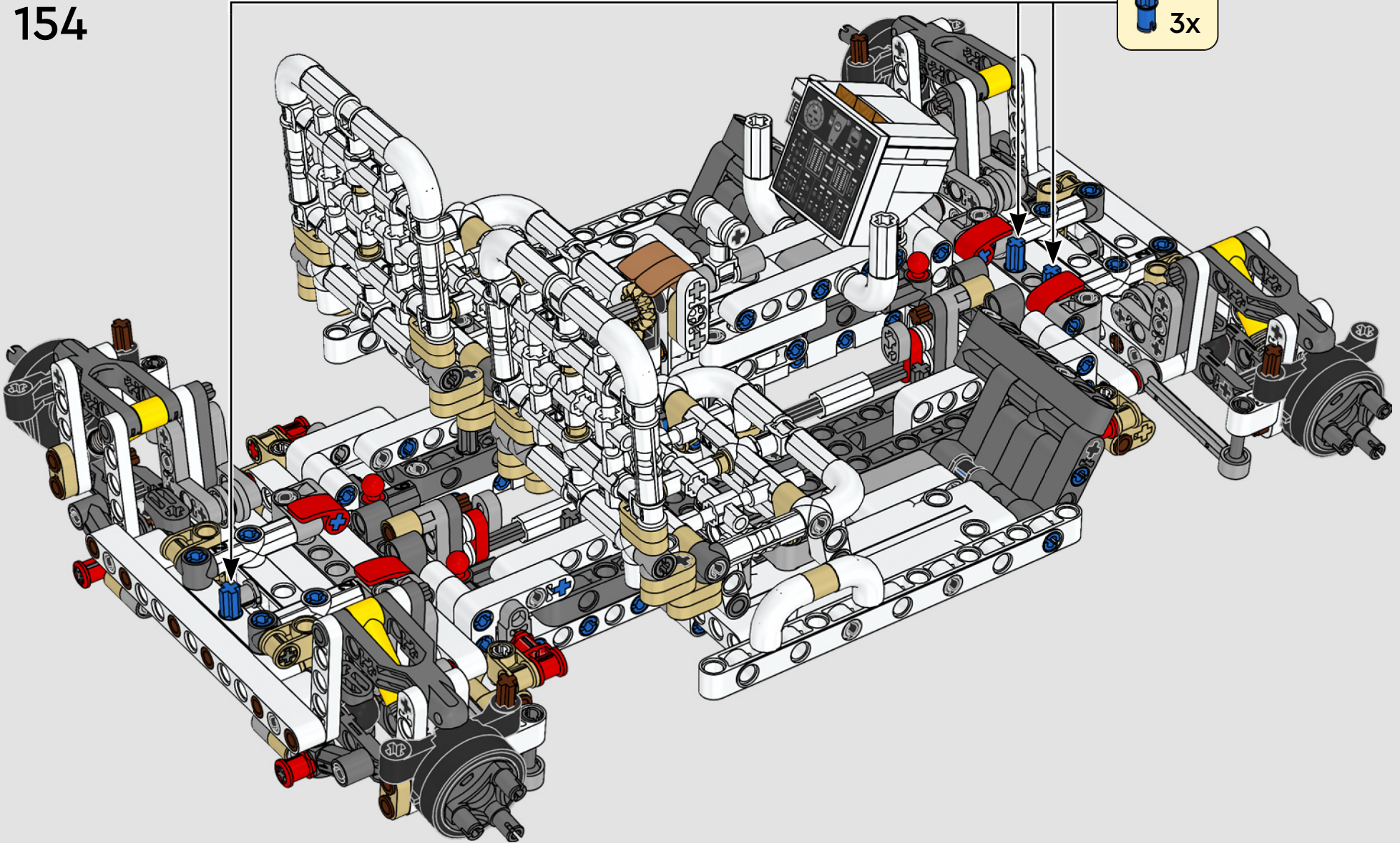


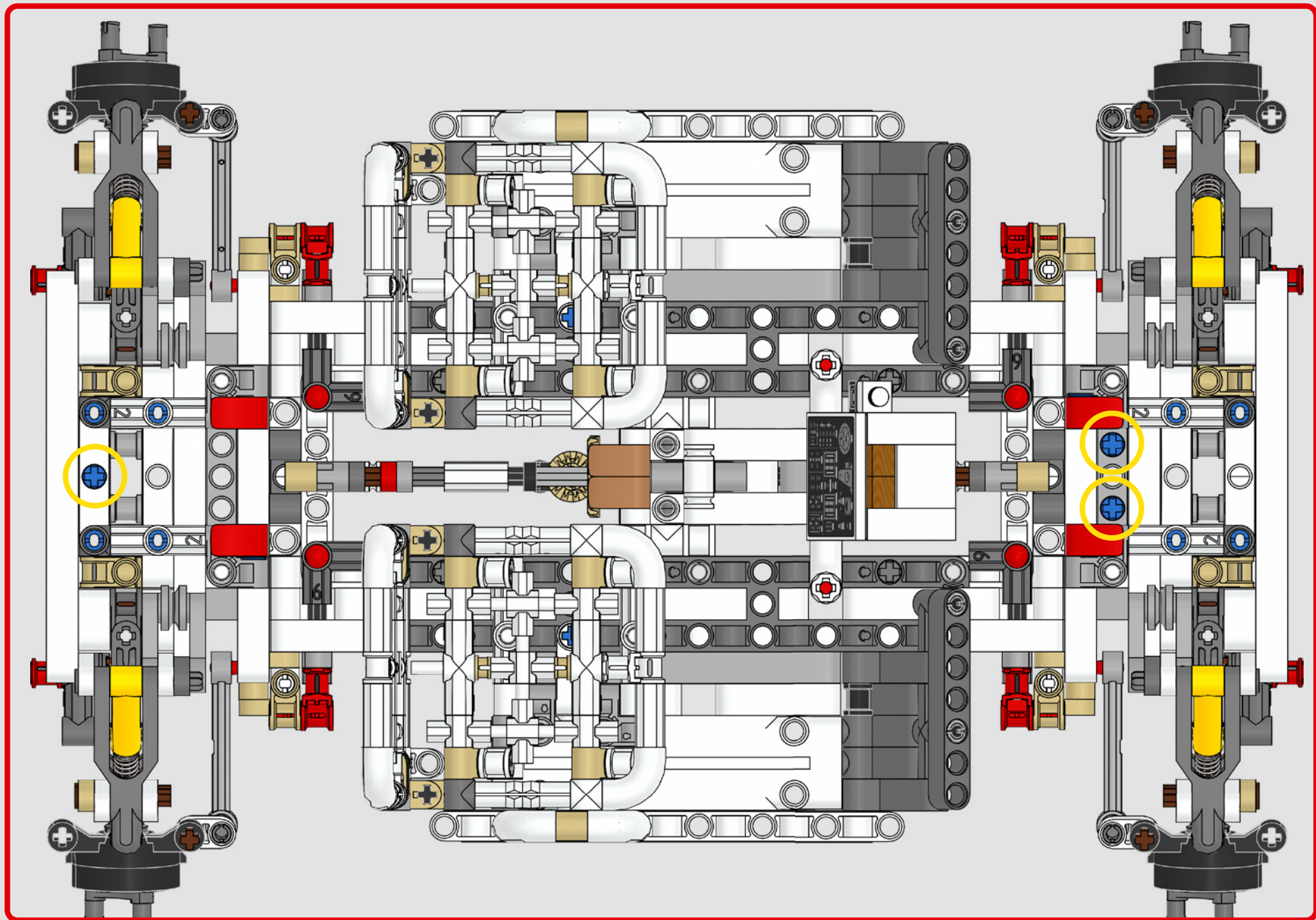
3x

154

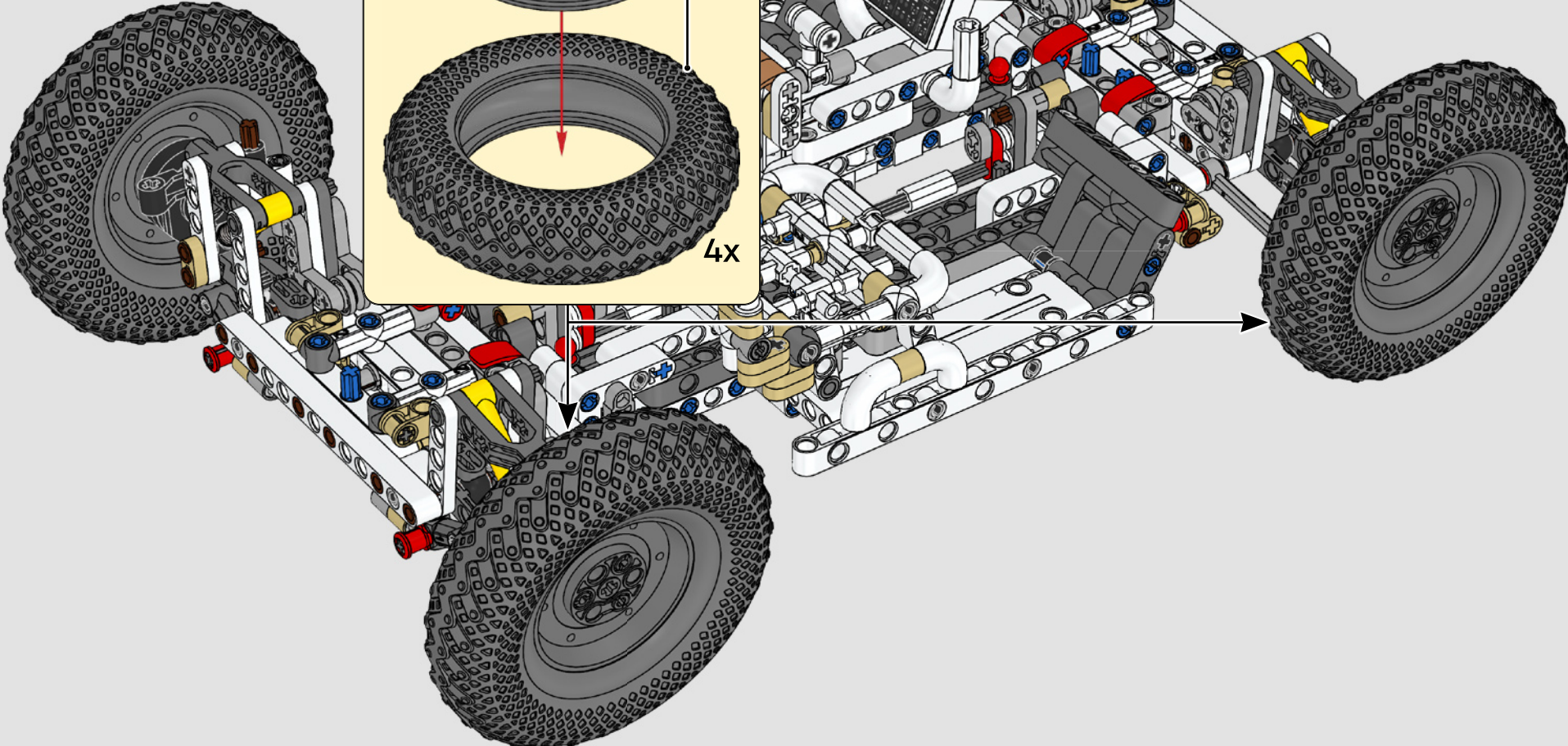
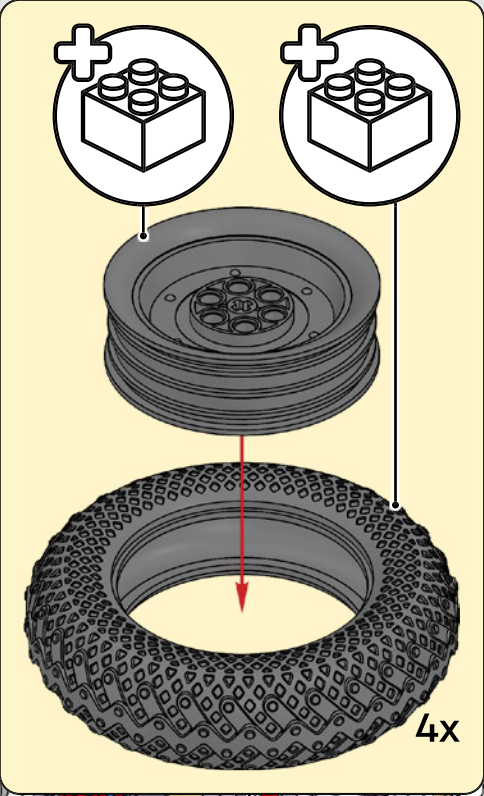


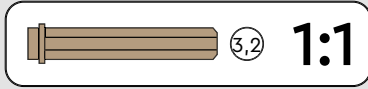
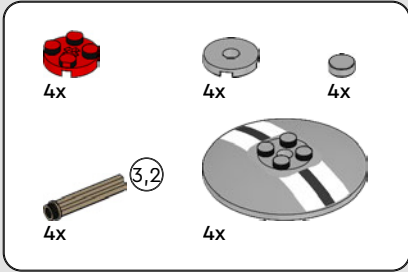
3x





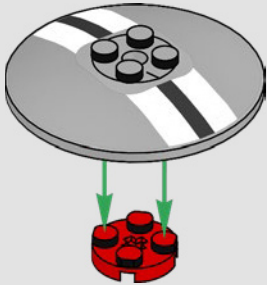
155



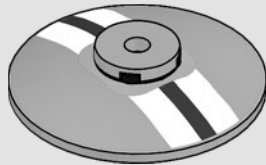


156

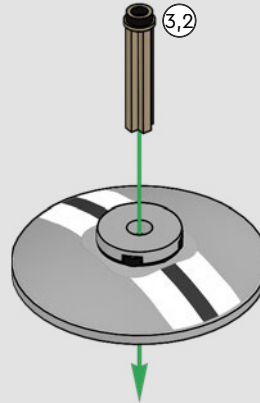
1



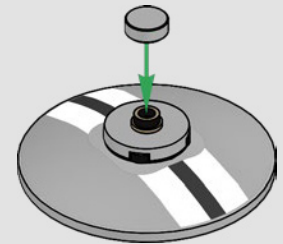
2



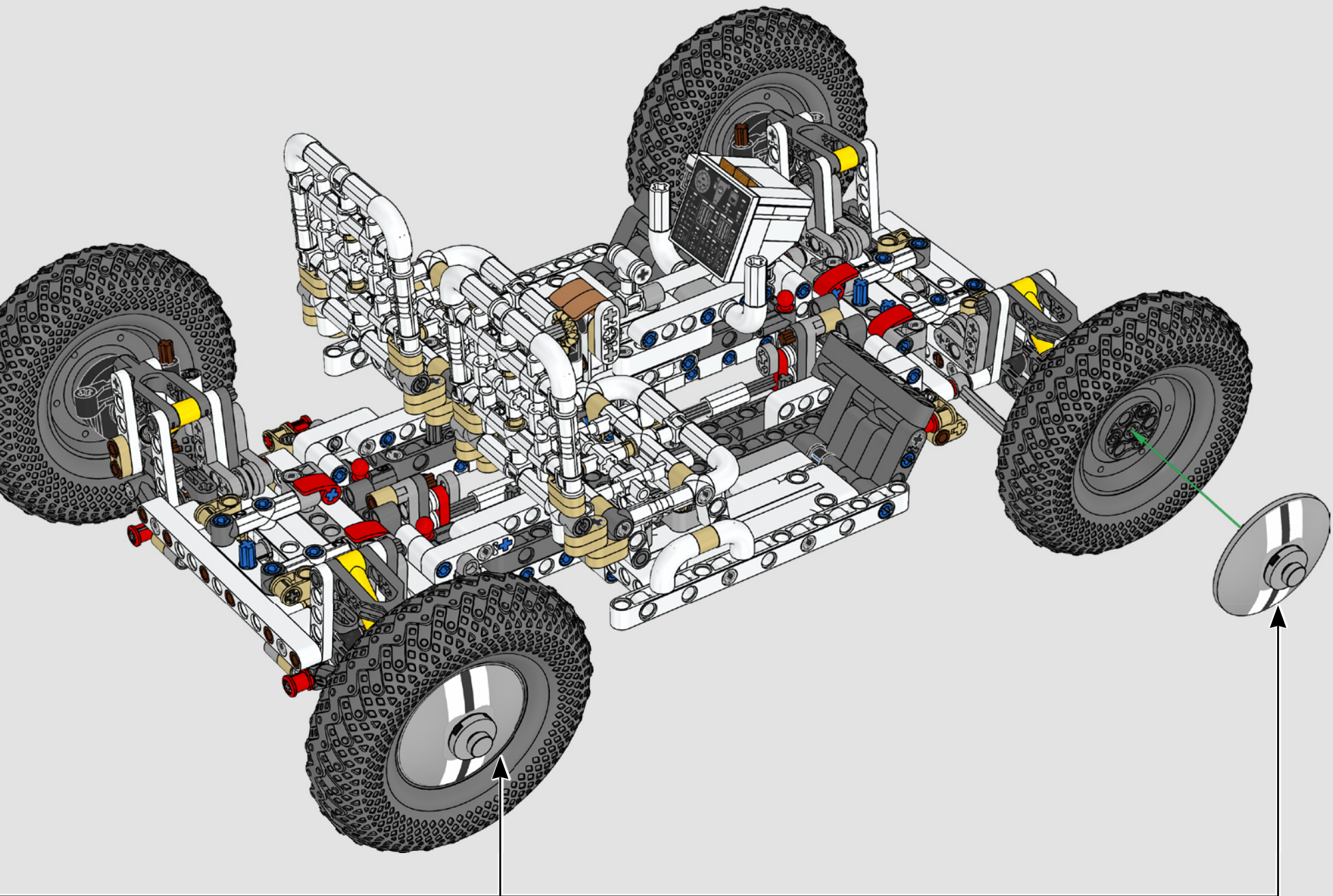
3

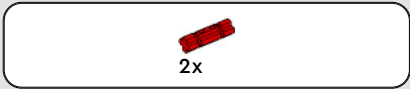


4

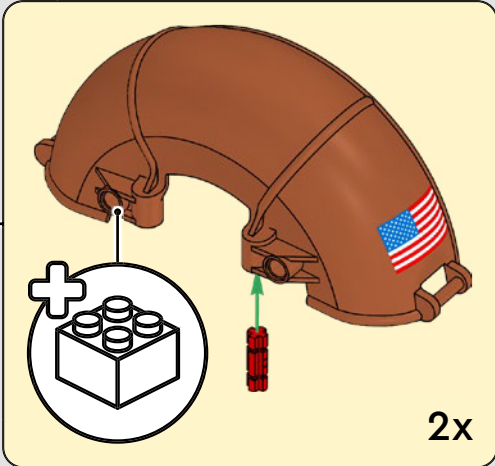
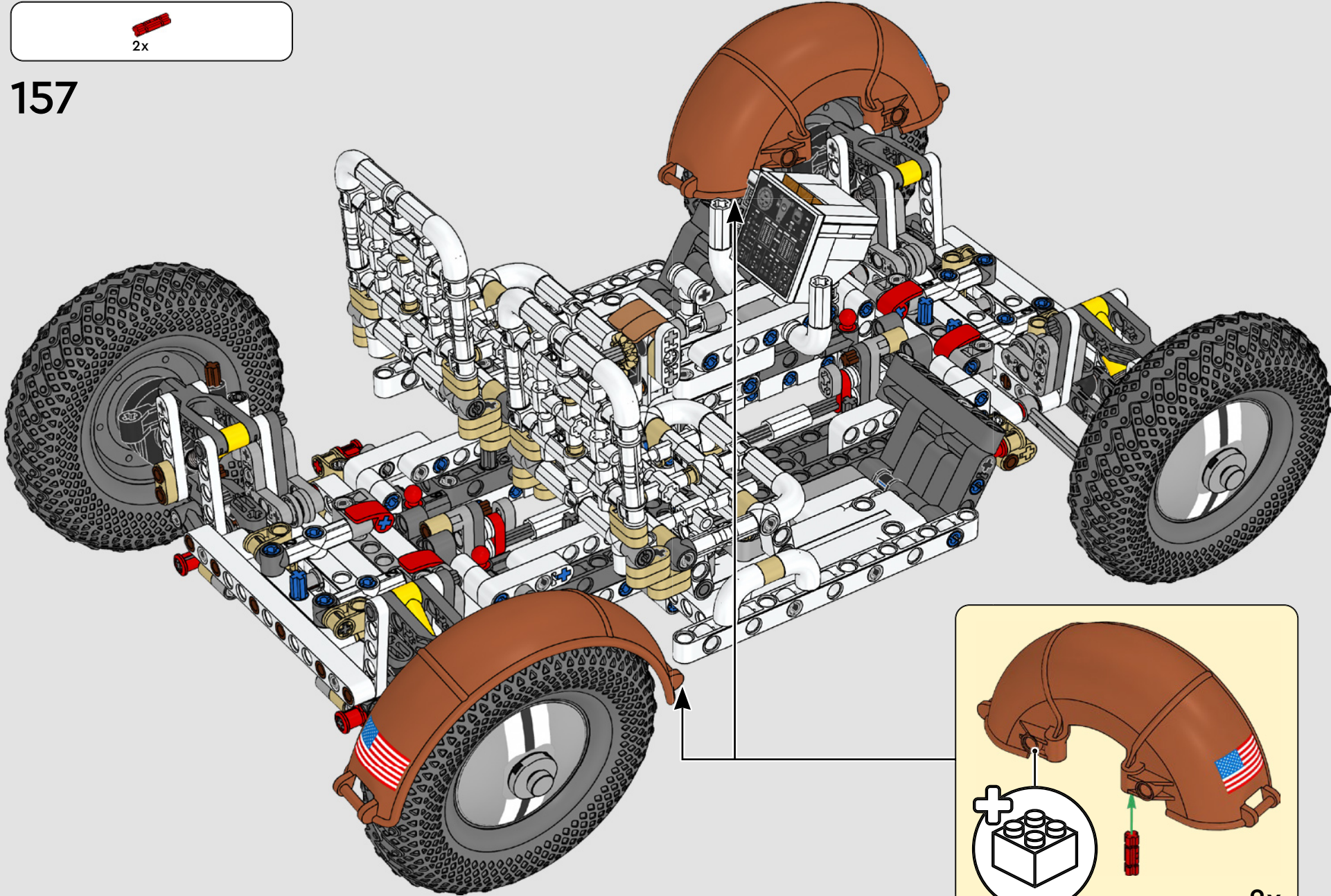


4x



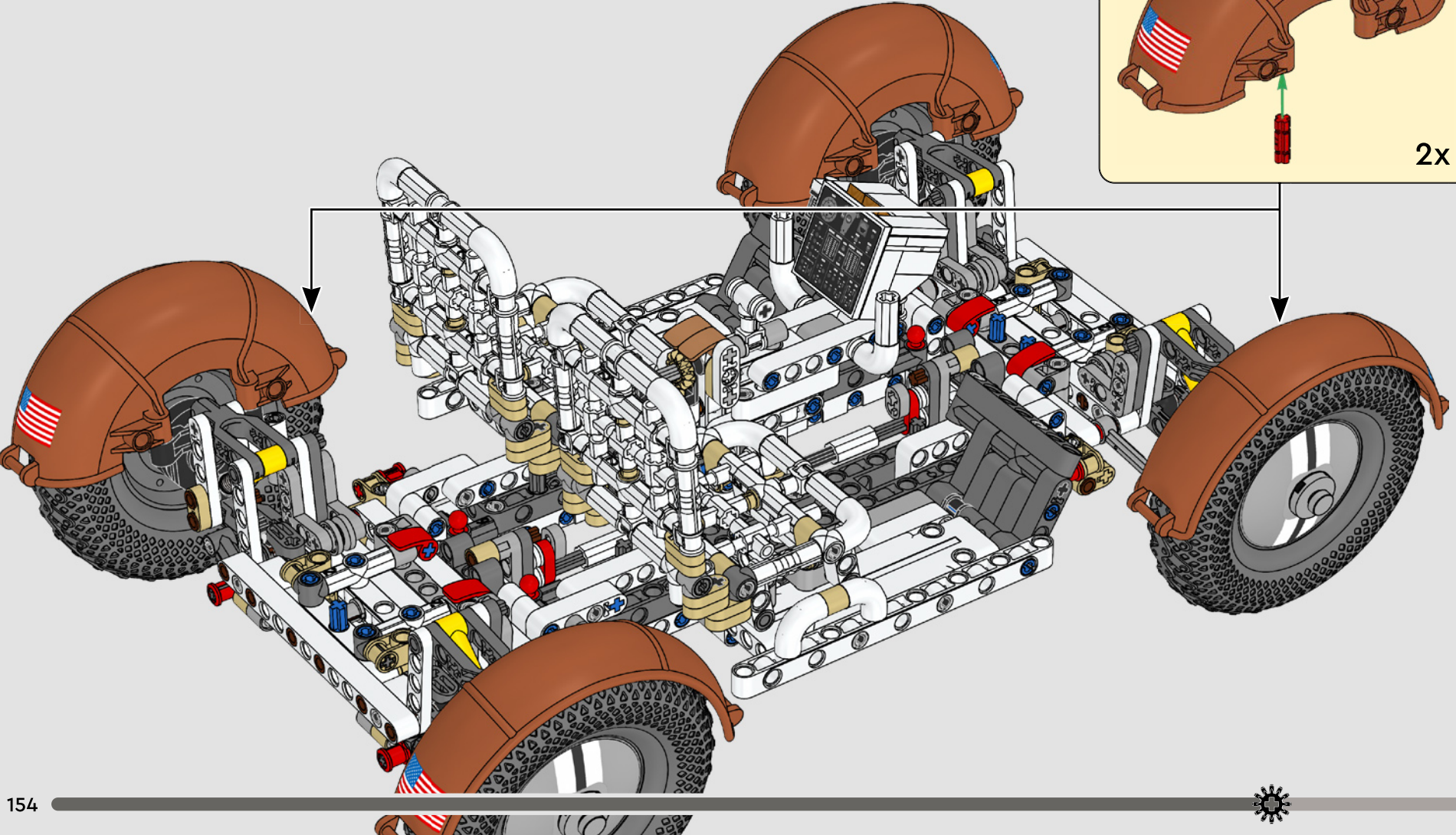
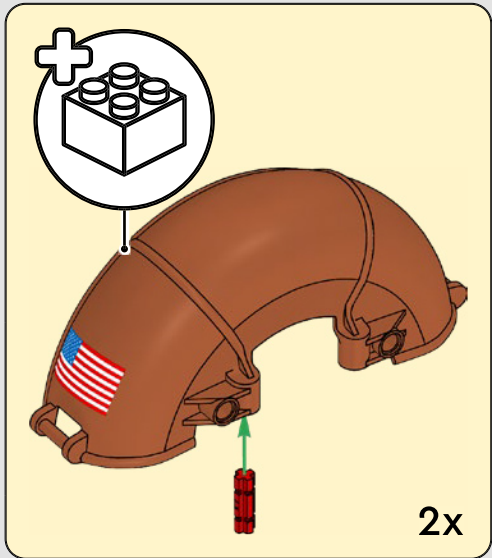


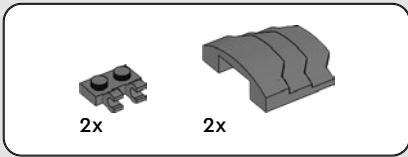
157



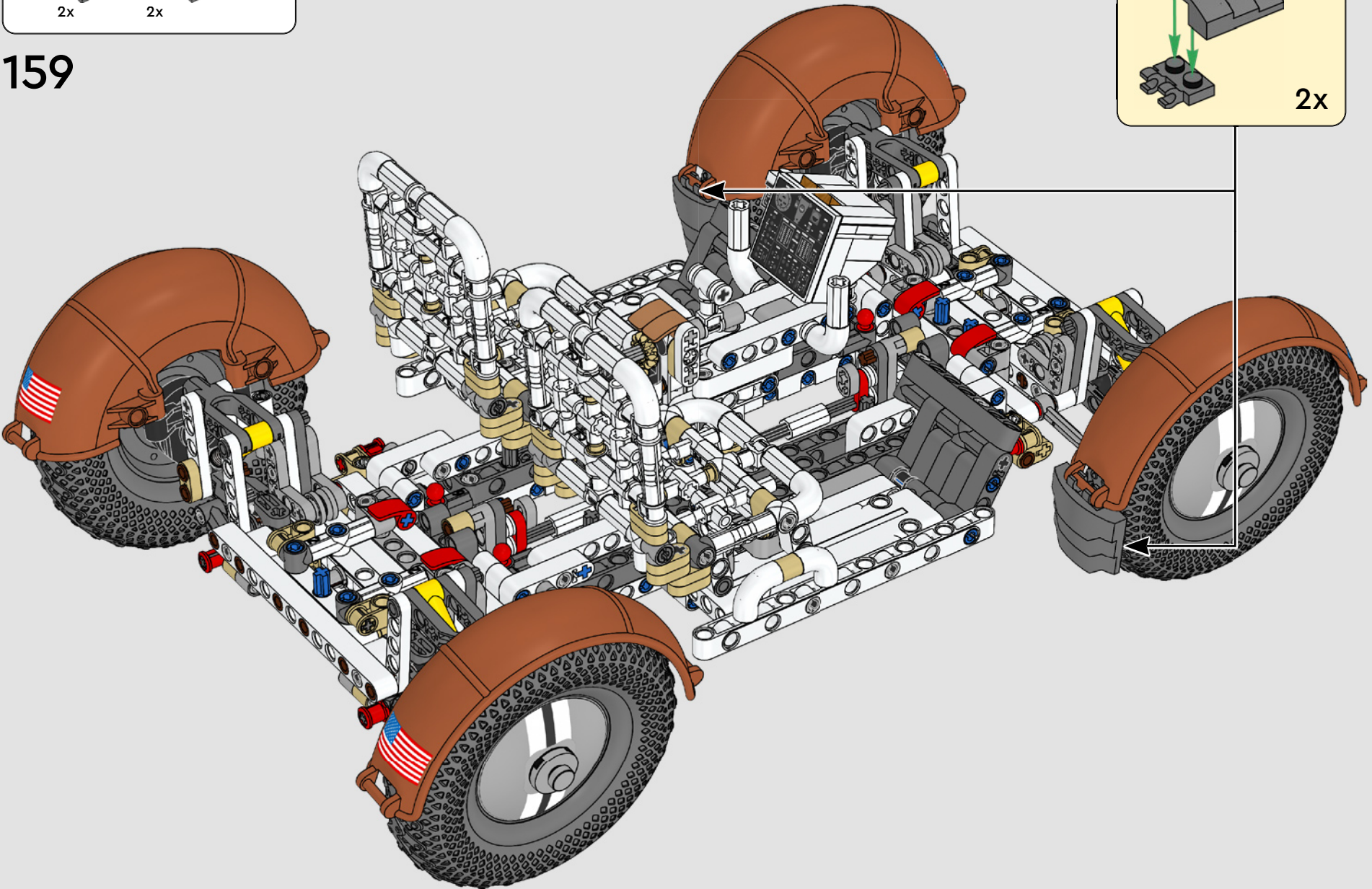
2x

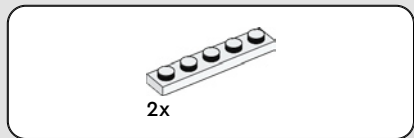
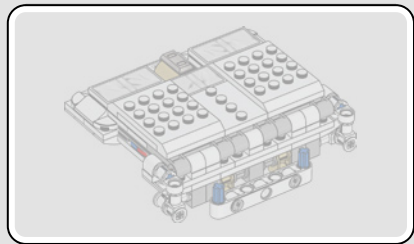
158





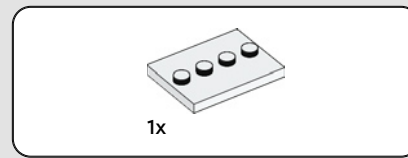
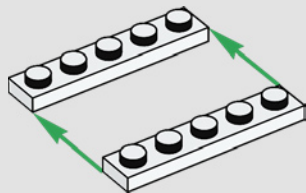
159





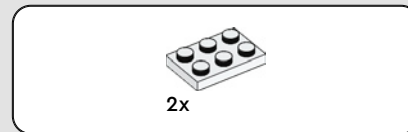
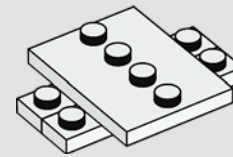
2x

160



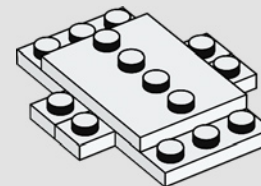
1x

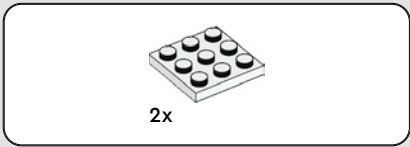
161



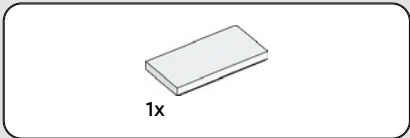
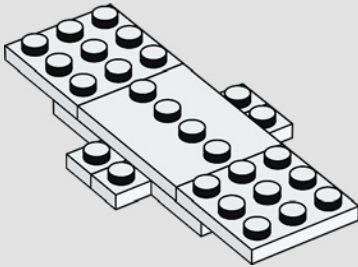
2x

162

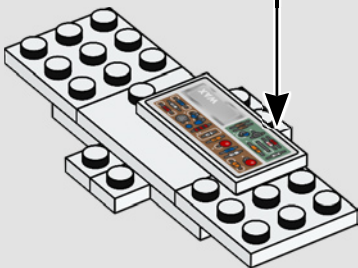
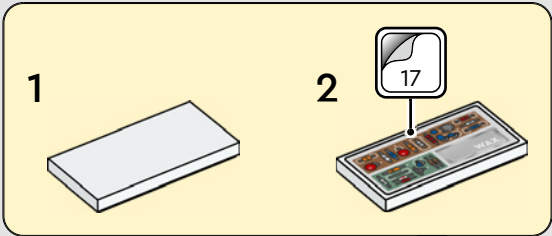




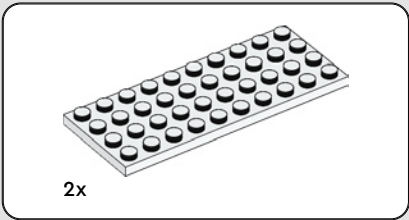
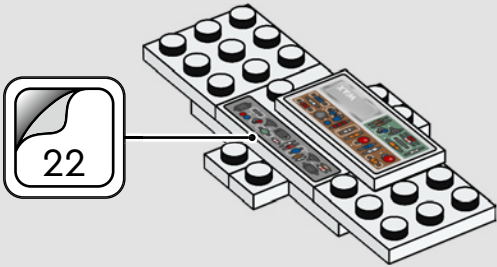
163



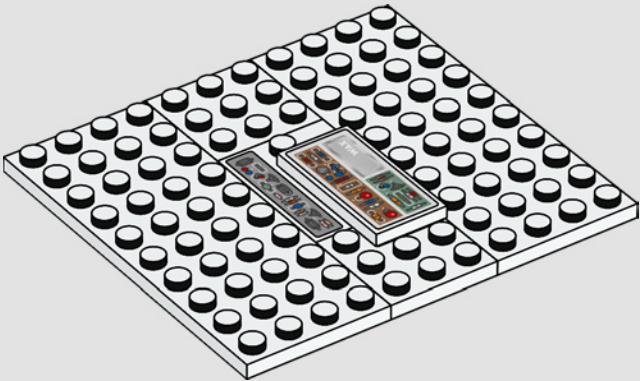
164



165



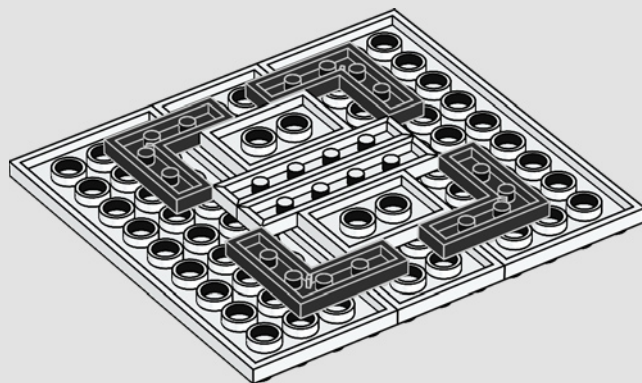
166





4x

167

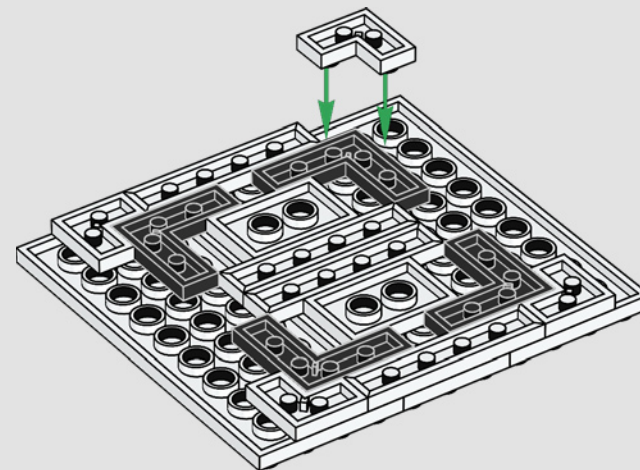


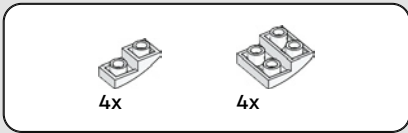
4x



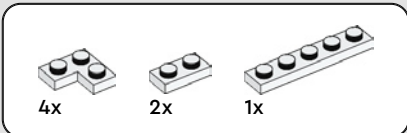
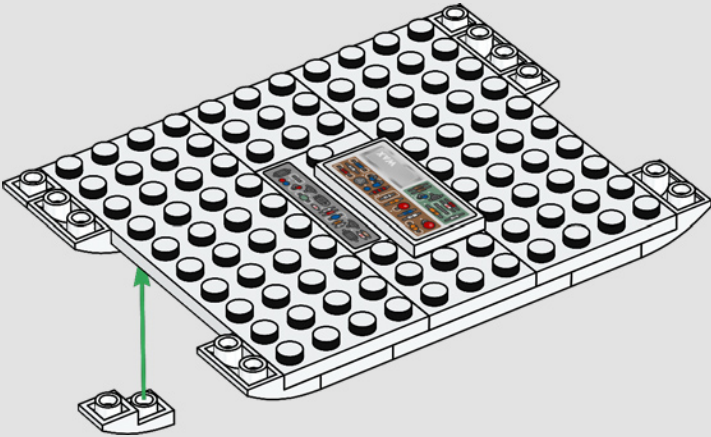
2x

168

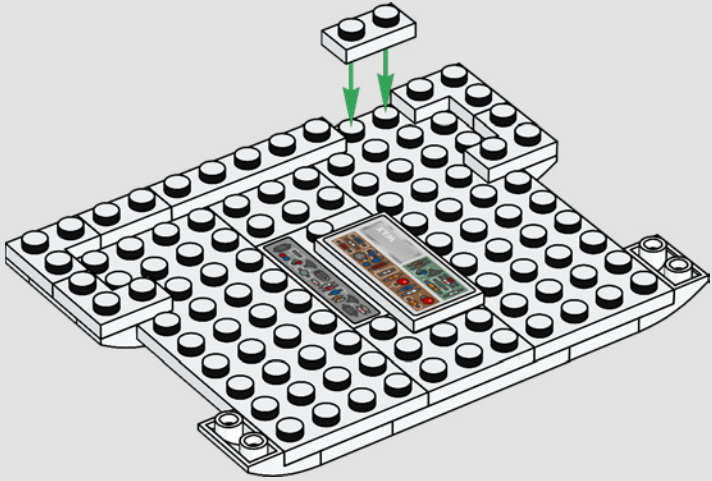


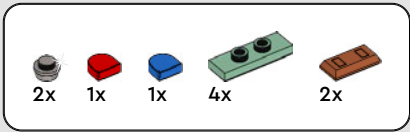


169

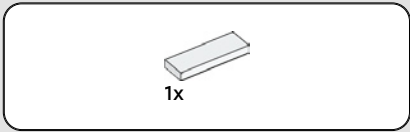
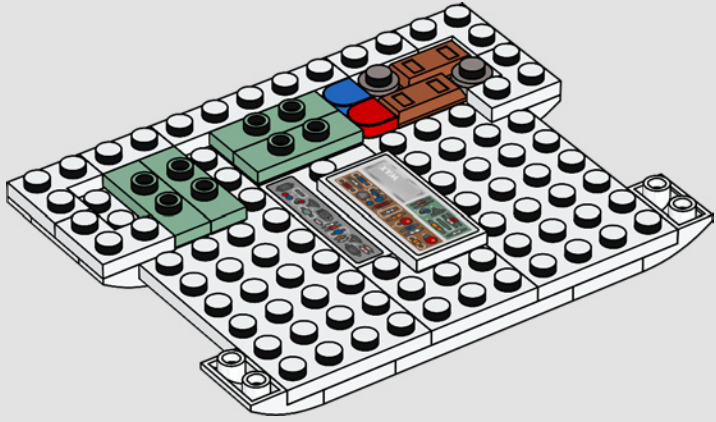


170

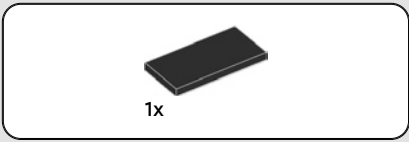
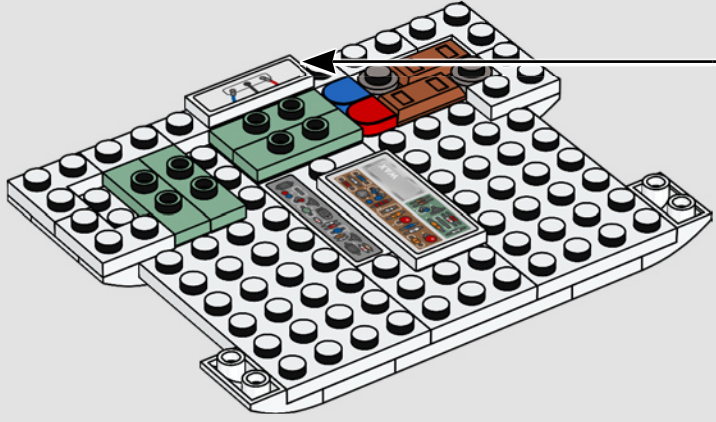
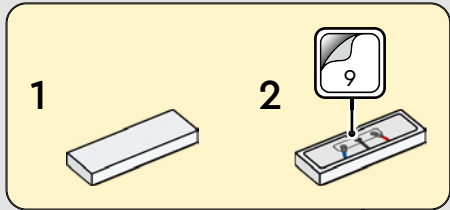




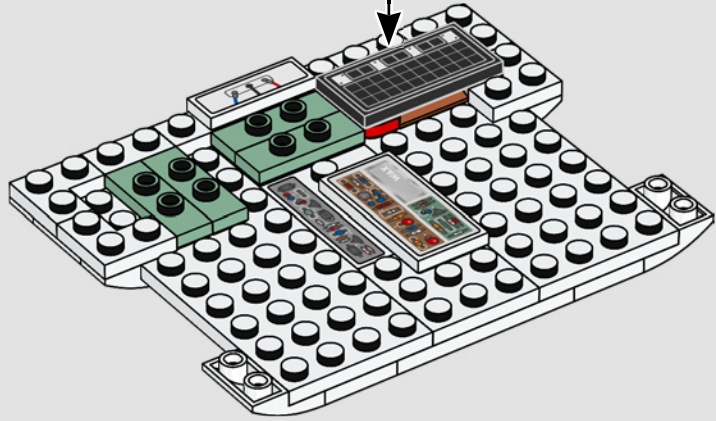
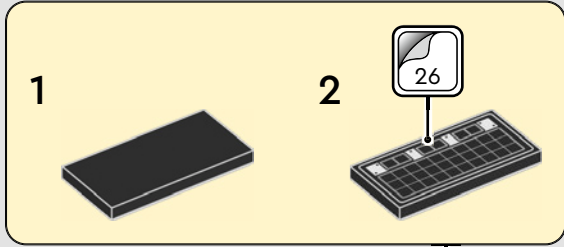
171

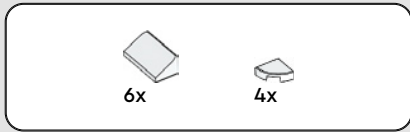


172

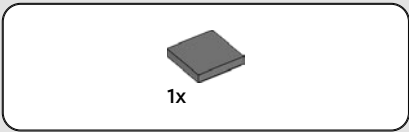
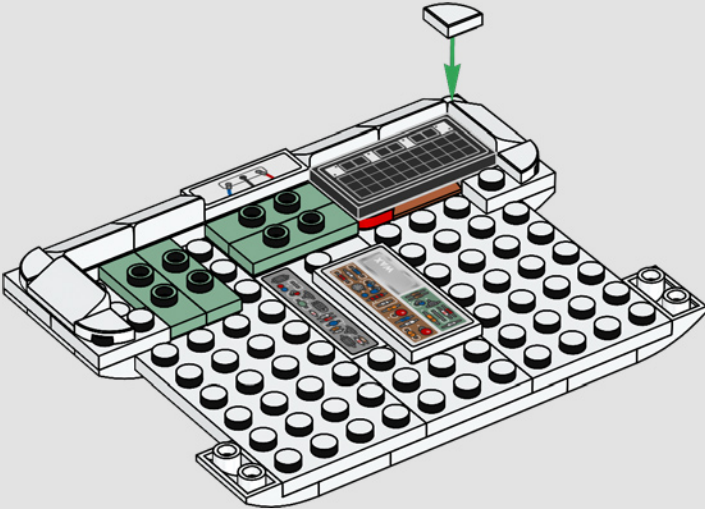


173

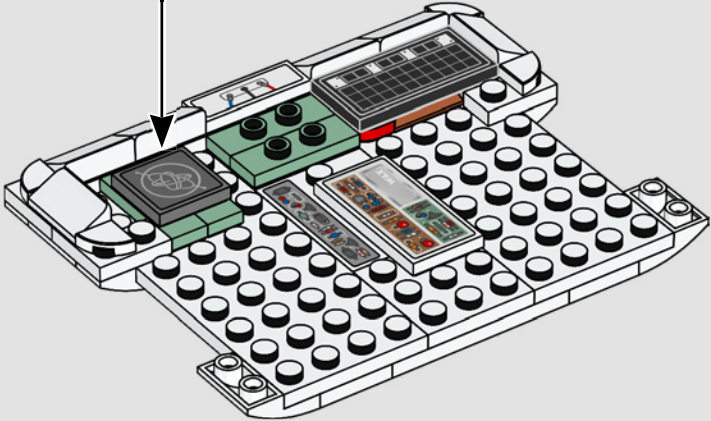
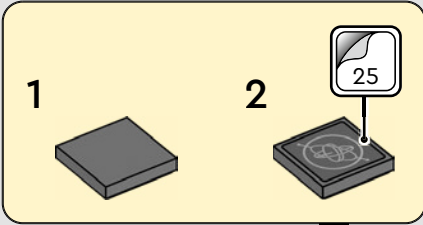


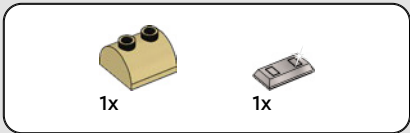


174

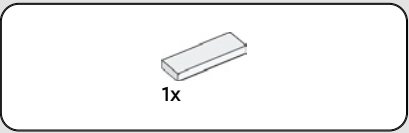
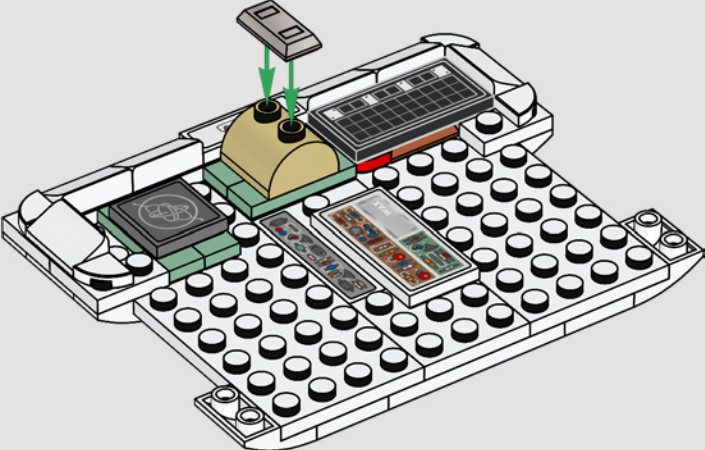


175

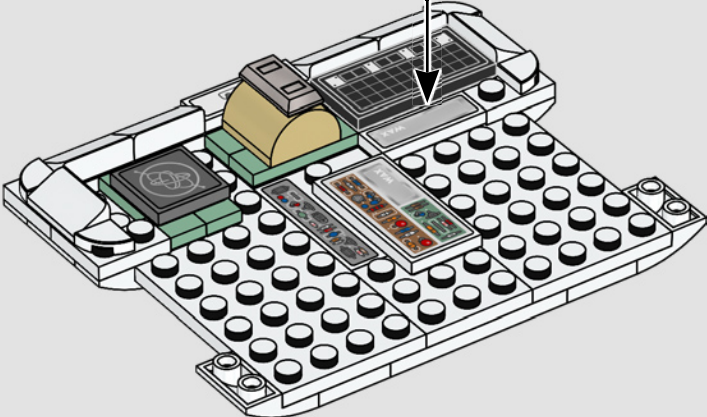
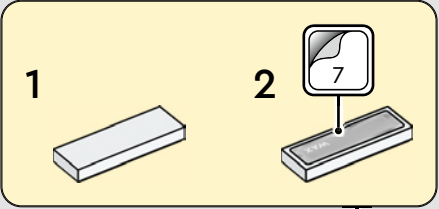


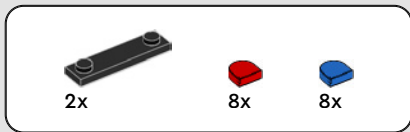


176

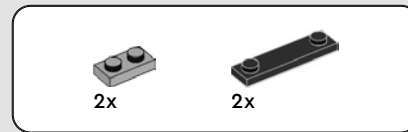
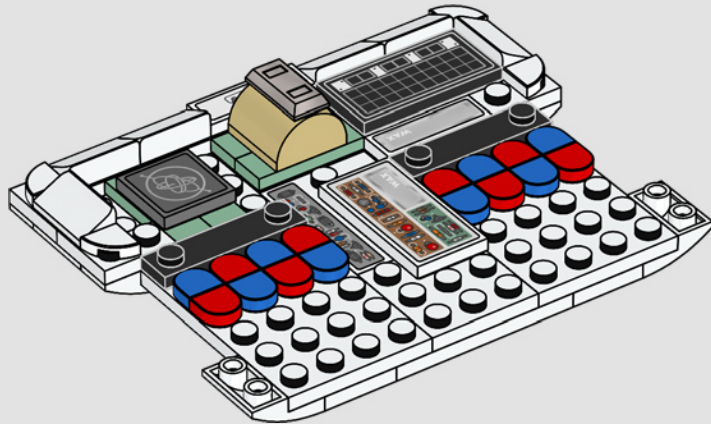


177

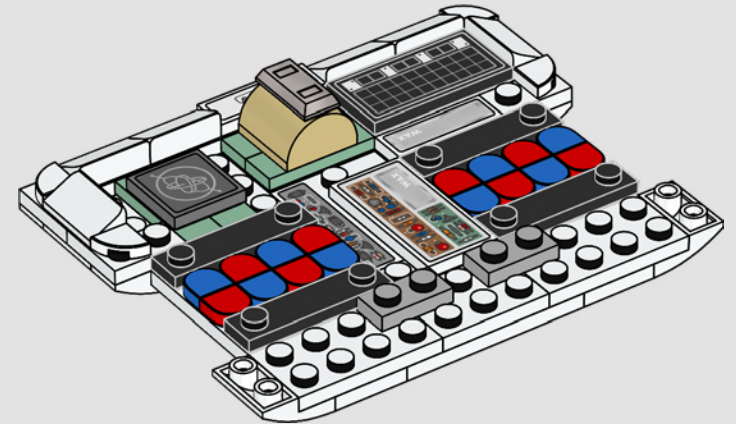


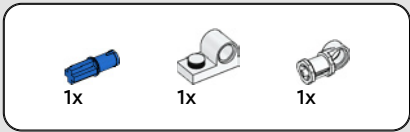


178

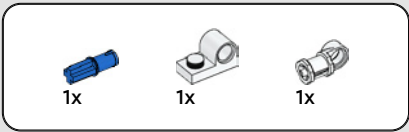
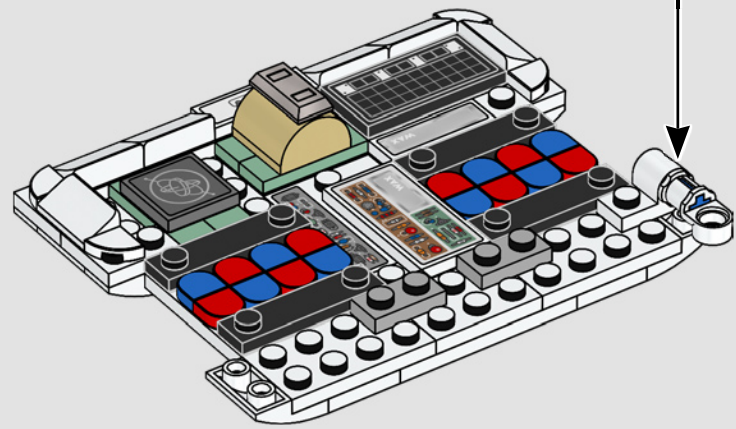
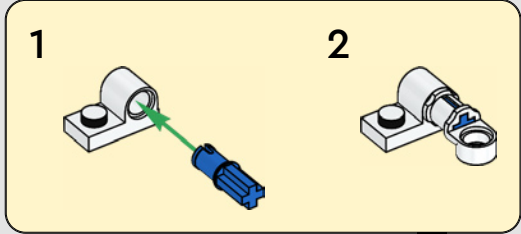


179

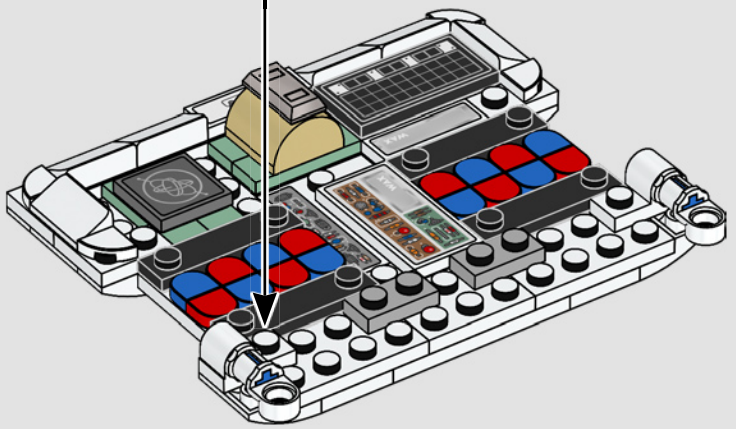
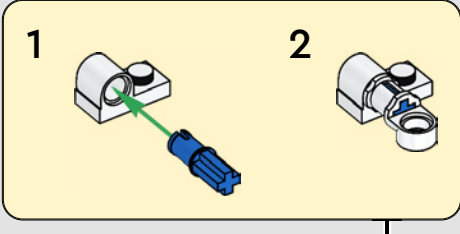


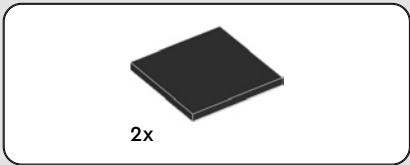


180

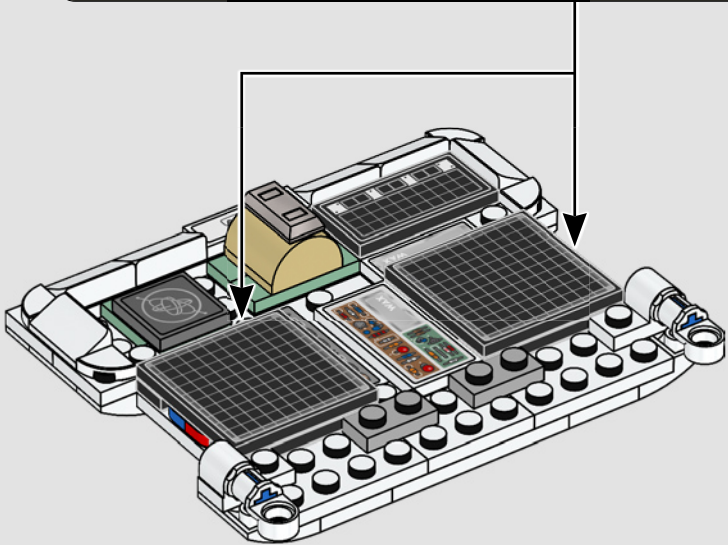
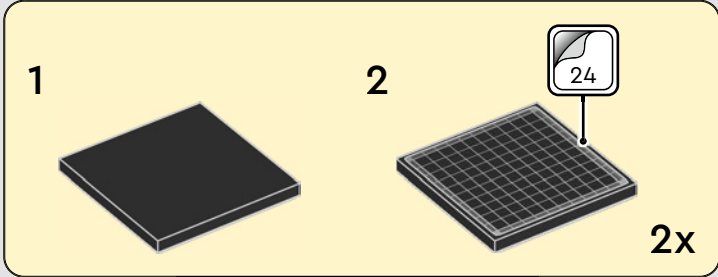


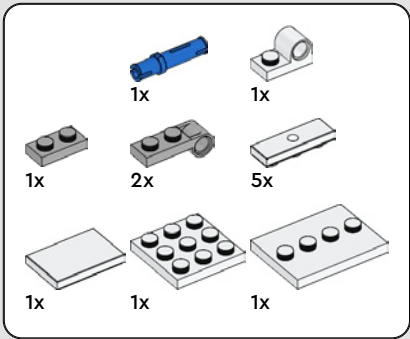
181



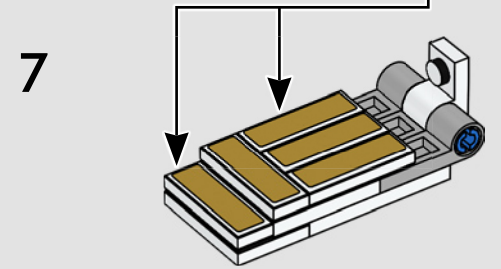
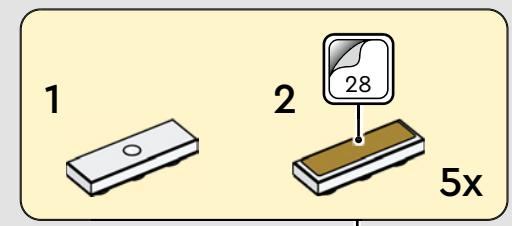
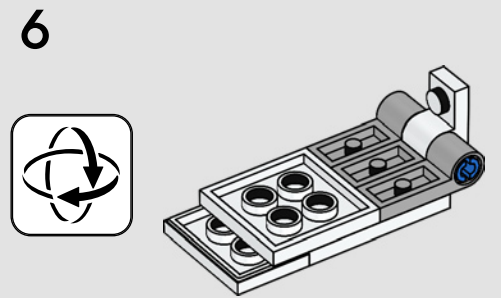
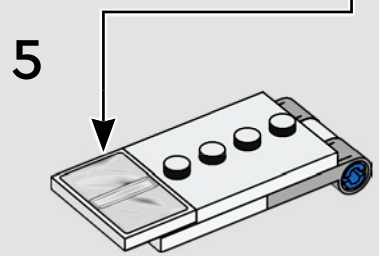
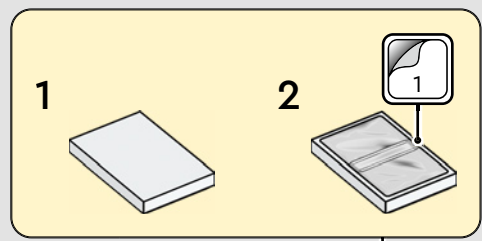
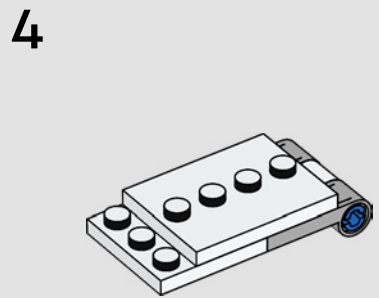
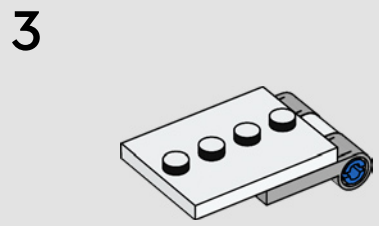
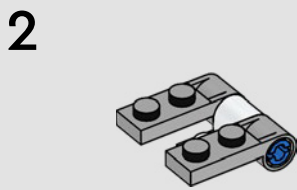
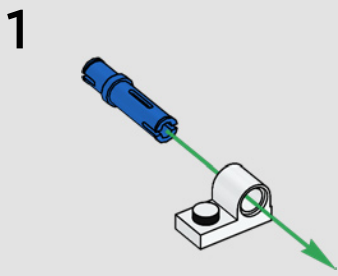


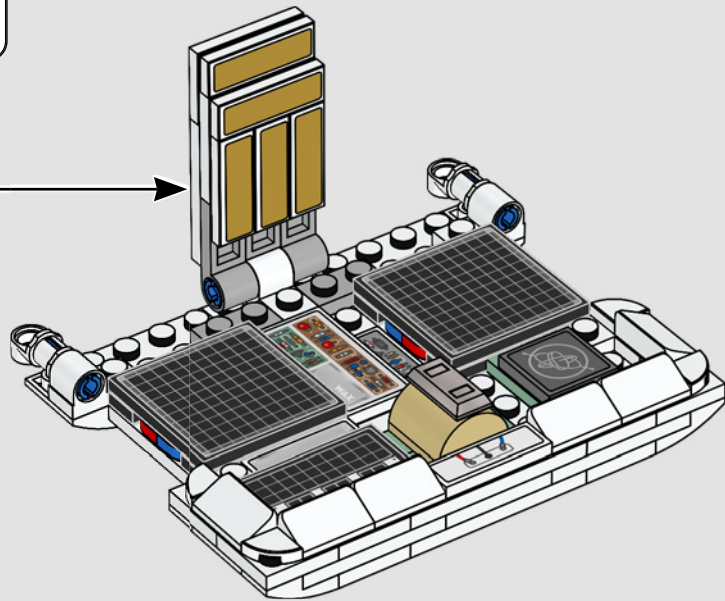
182

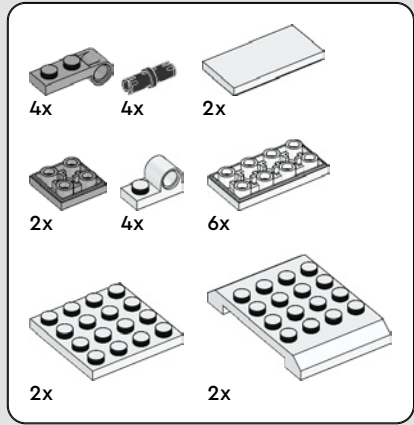
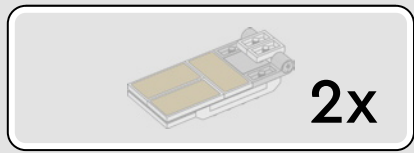




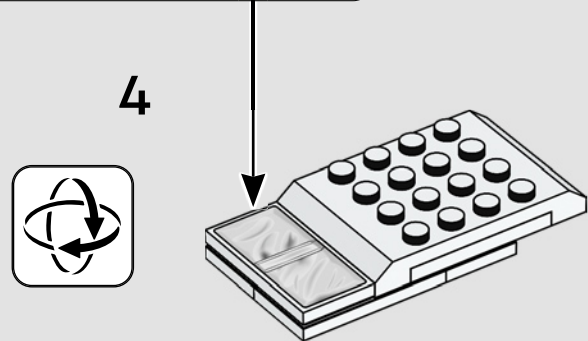
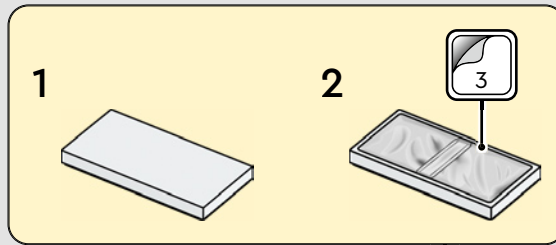
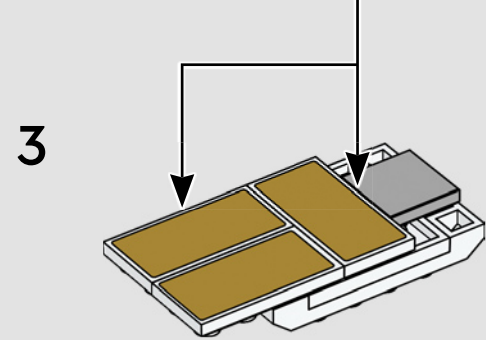
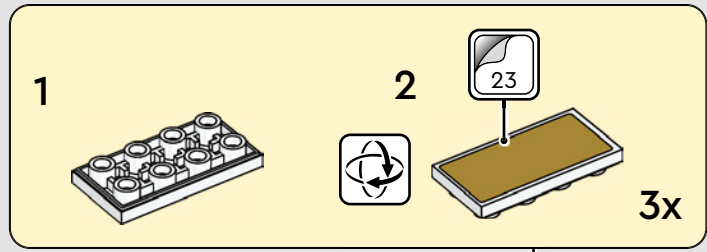
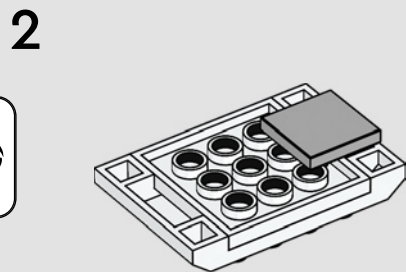
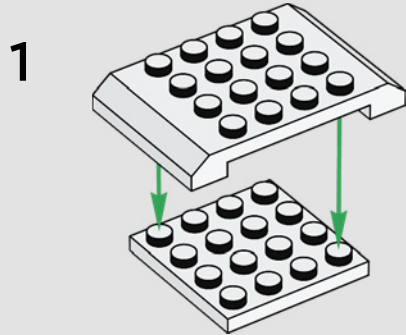
183

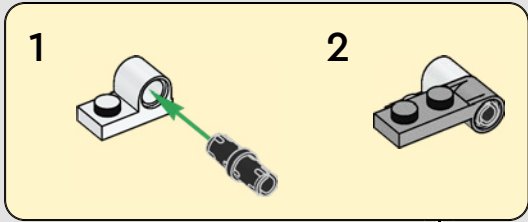




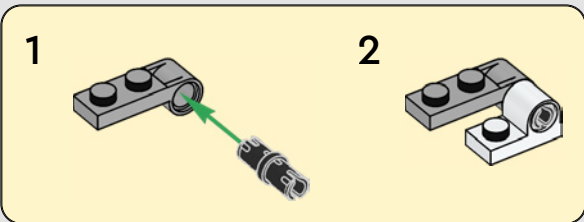
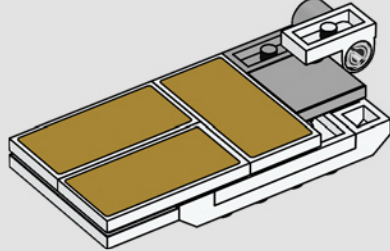


184

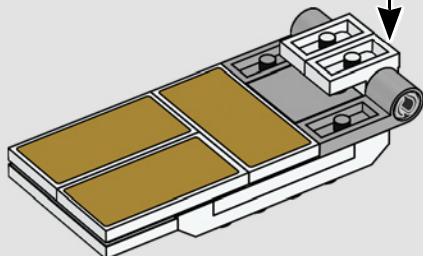




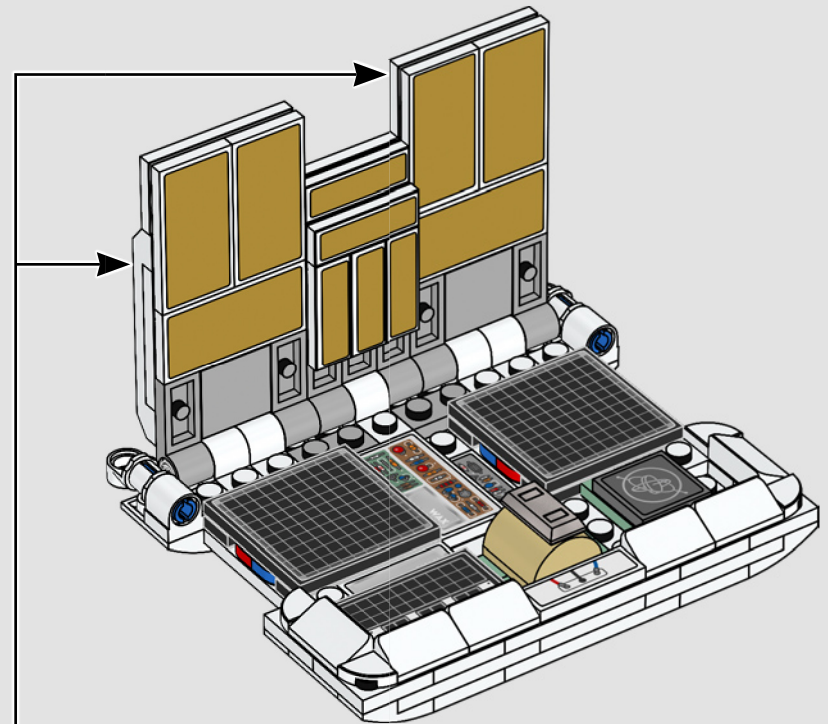
5

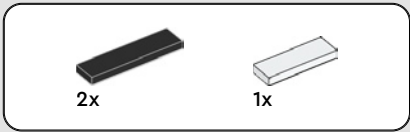


6

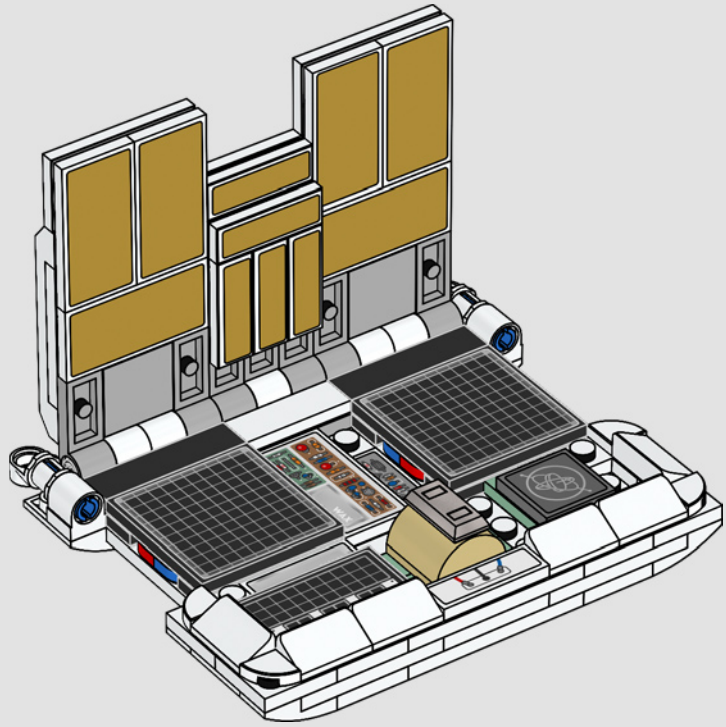


2x

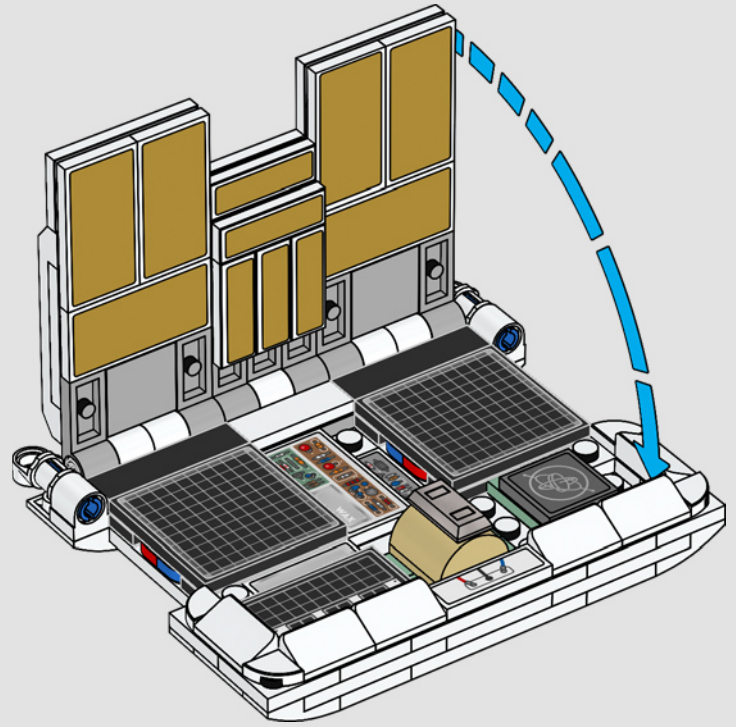


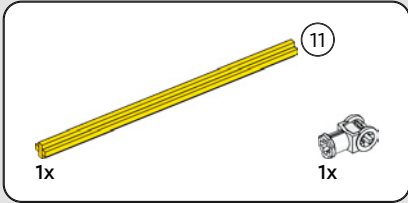
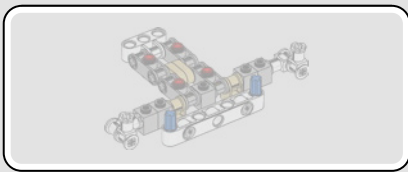


185

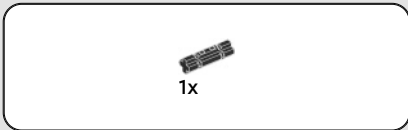
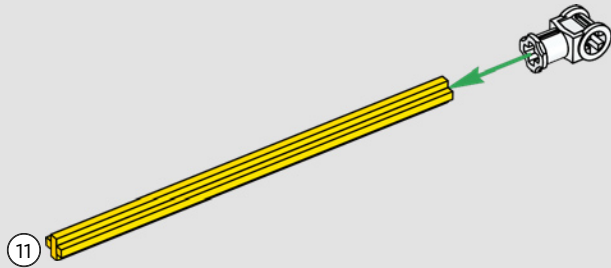


186

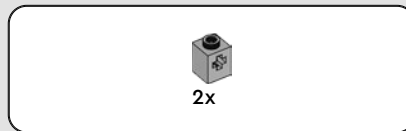
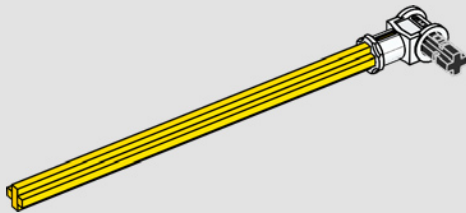




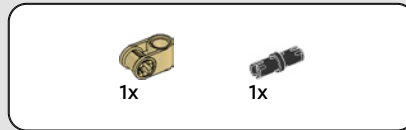
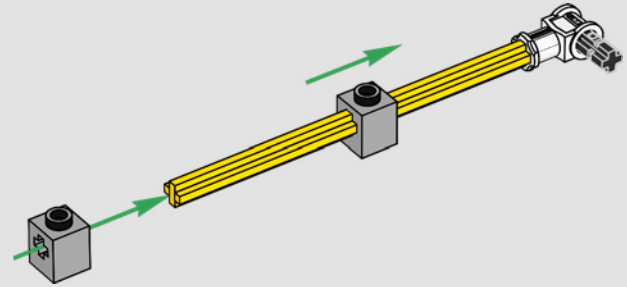
187



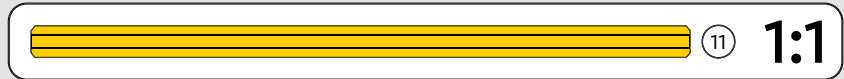
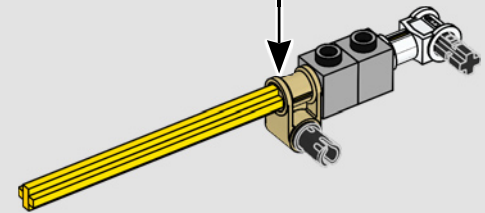
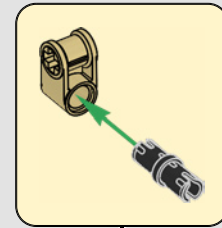
188

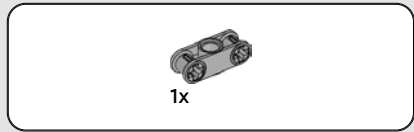


189

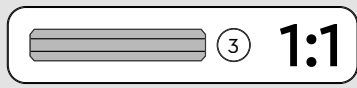
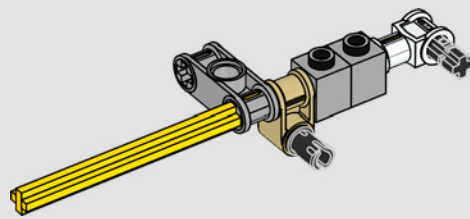


190

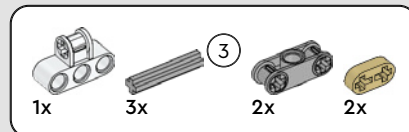




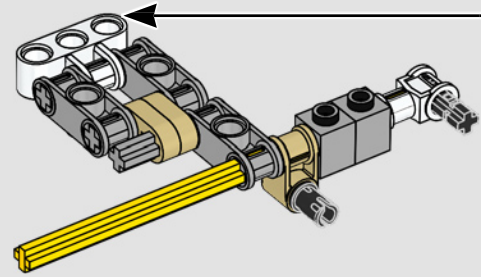
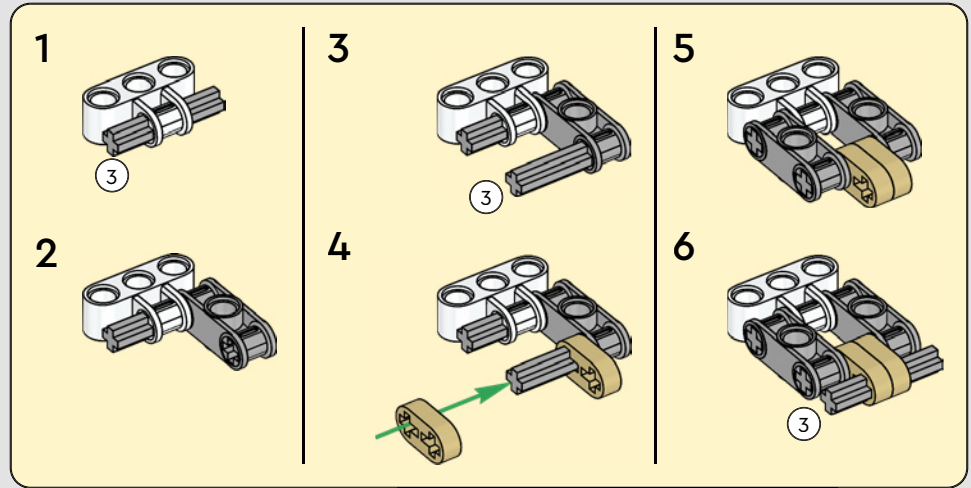
191



172



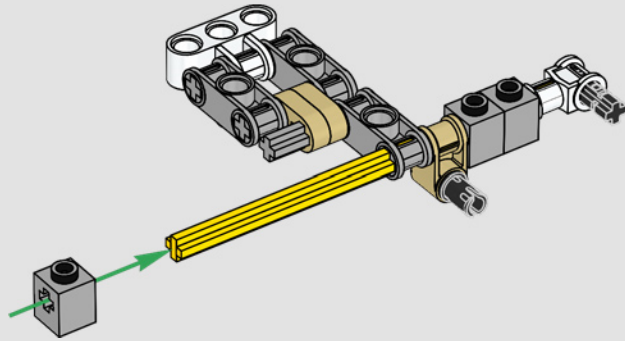
192





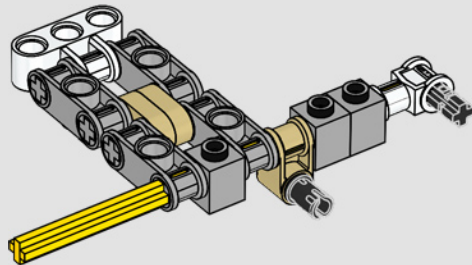
1x

193



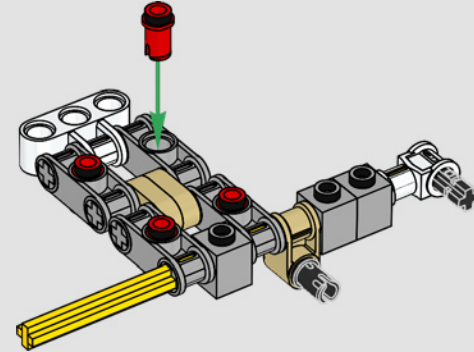
1x

194



4x

195

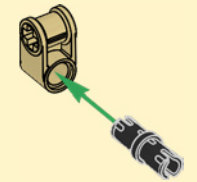
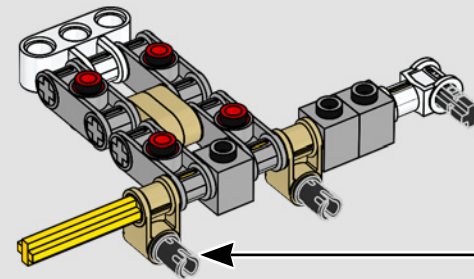


1x



1x

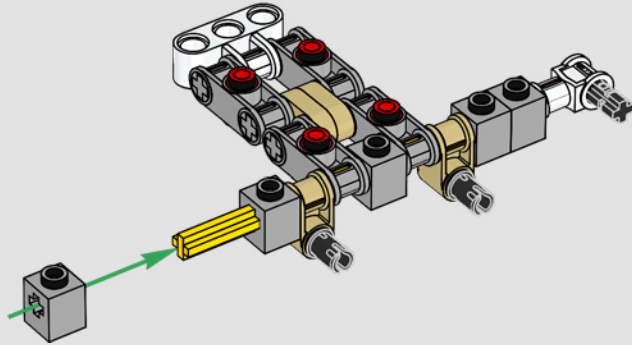
196





2x

197

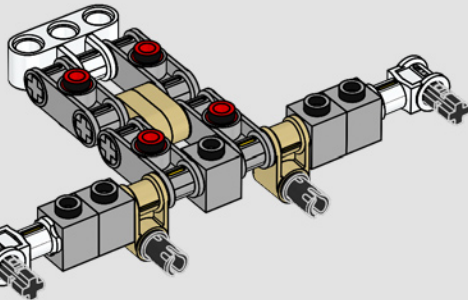


1x



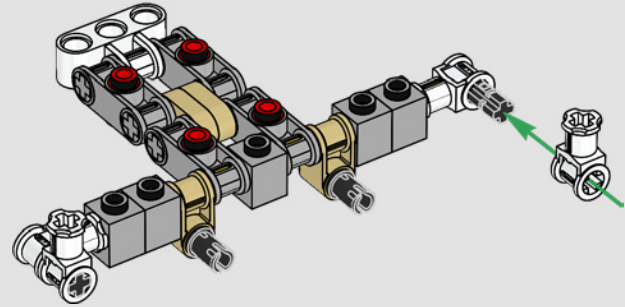
1x

198



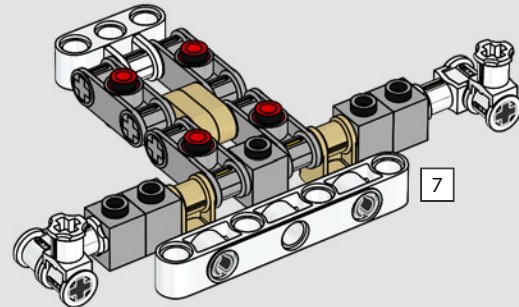
2x

199



1x

200



7

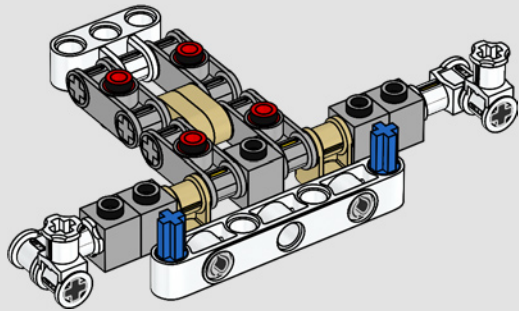
1:1



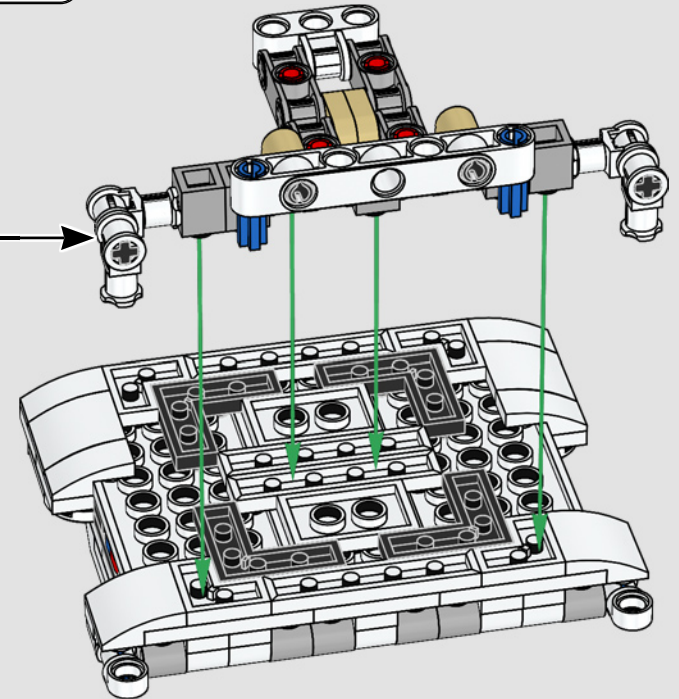
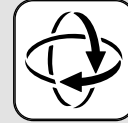


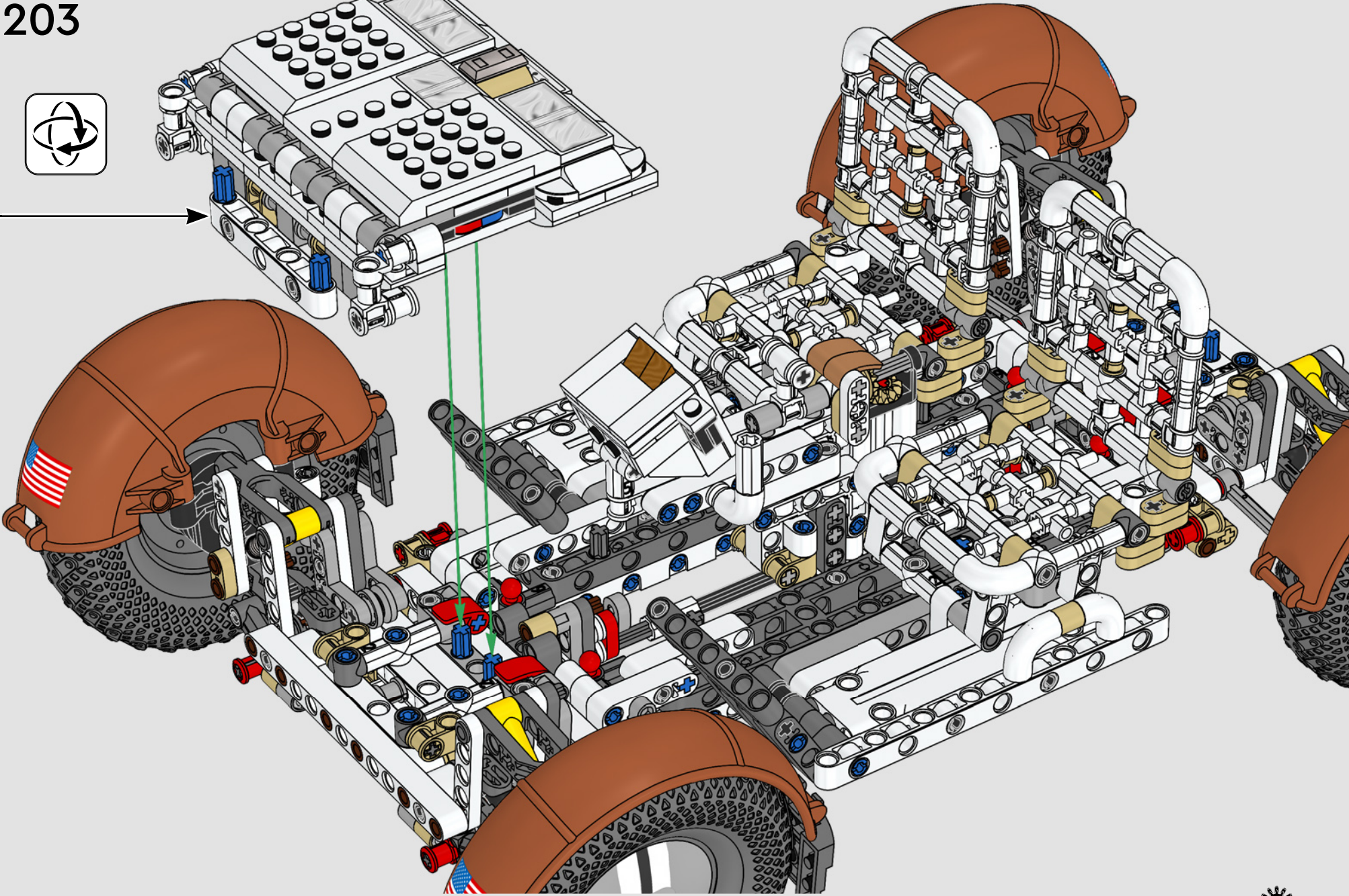
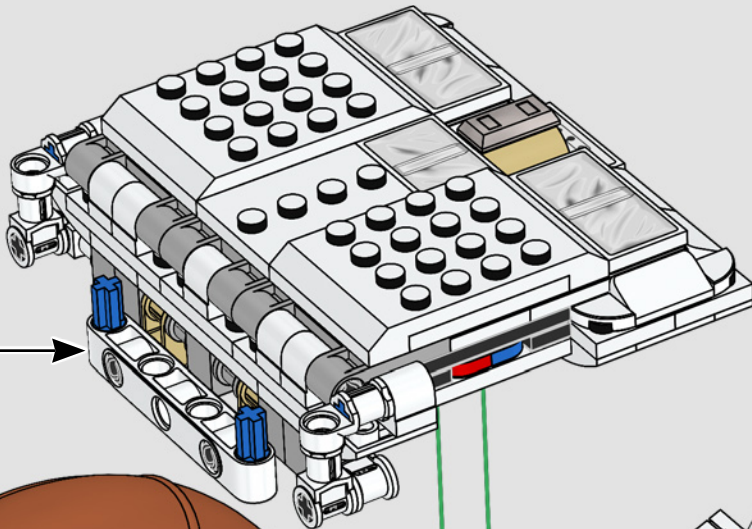
2x

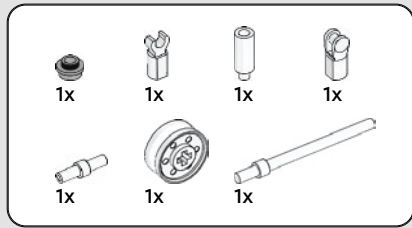
201



202







204

1



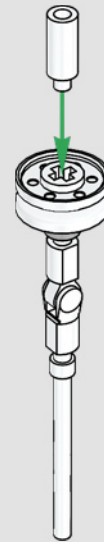
2

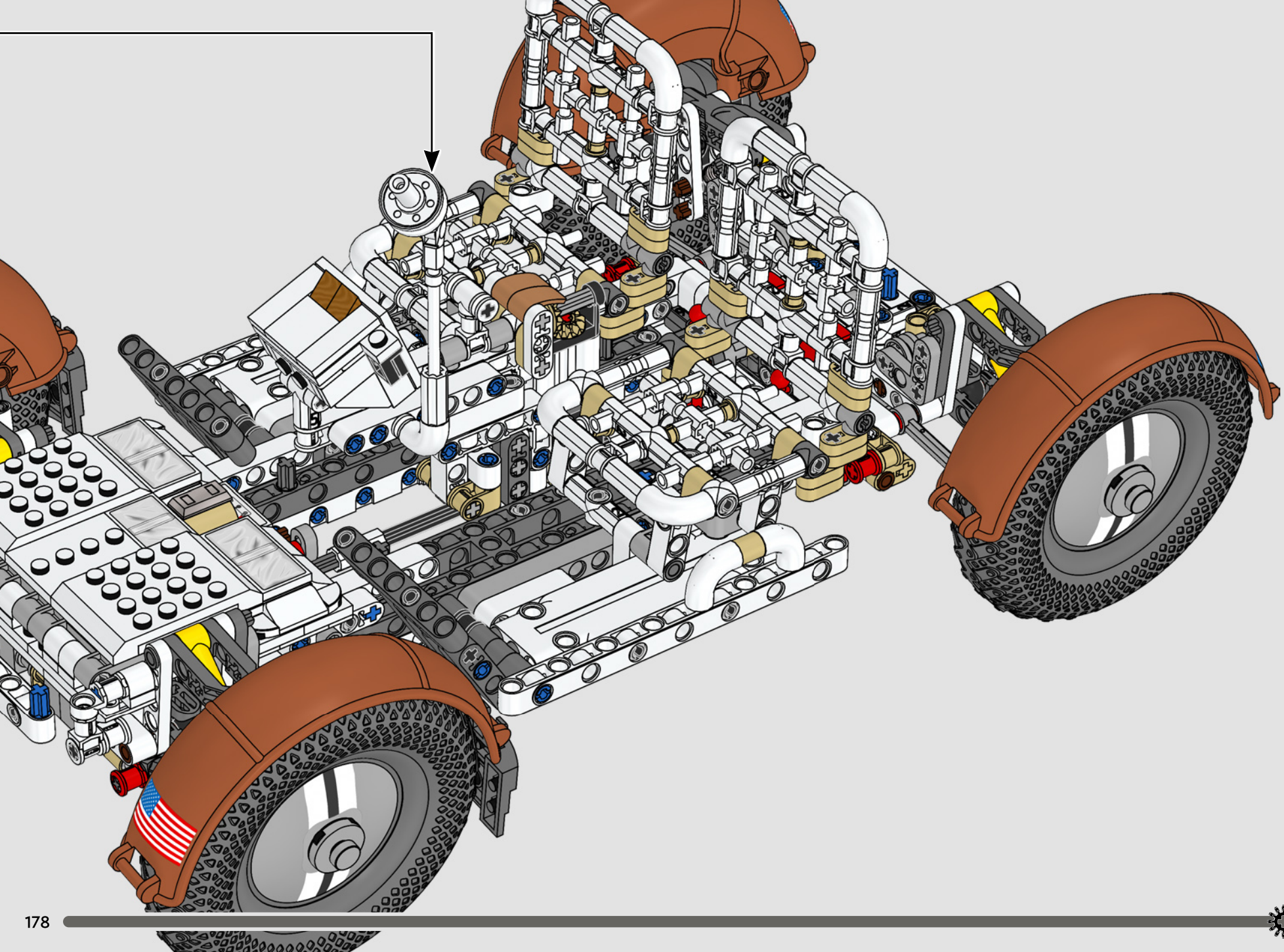


3



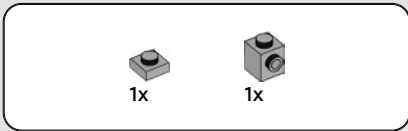
4



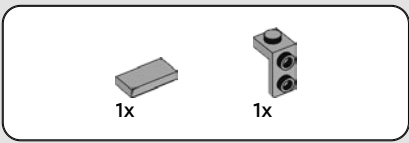




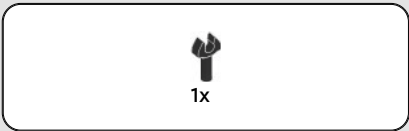
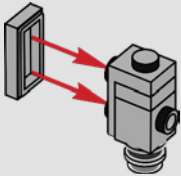
205



206

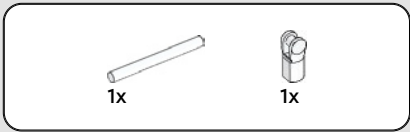


207

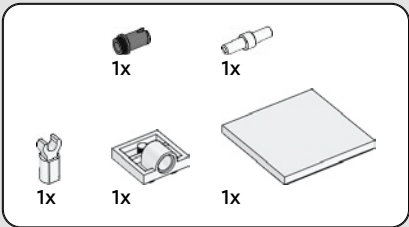
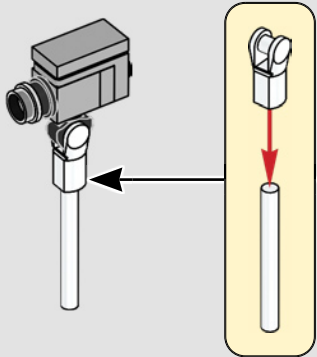


208

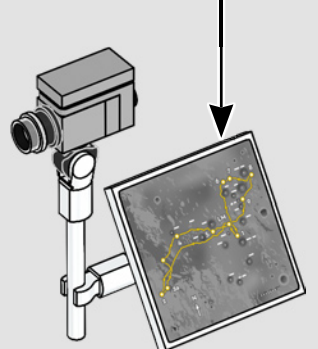
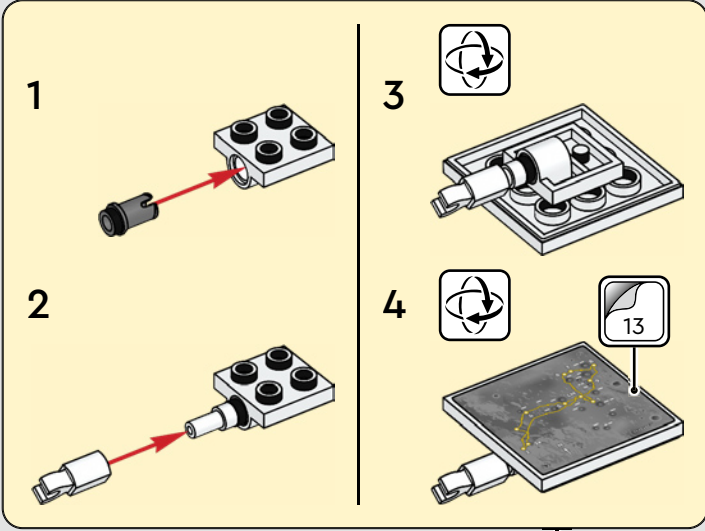




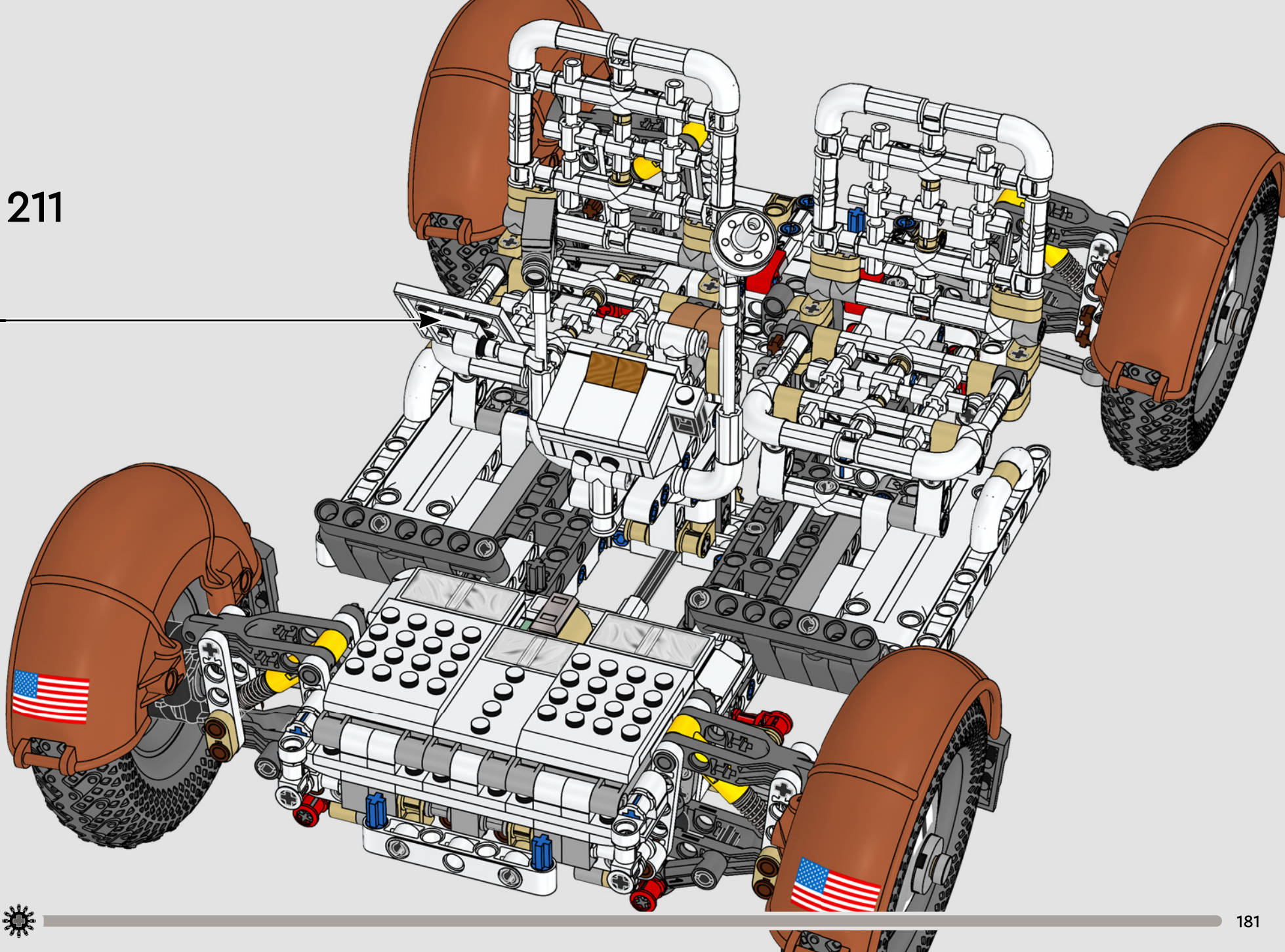
209

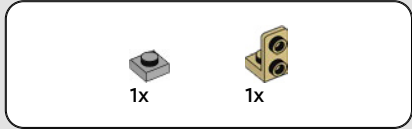
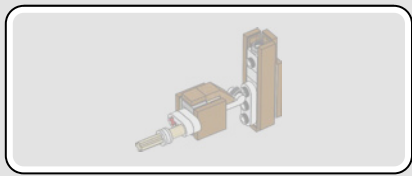


210

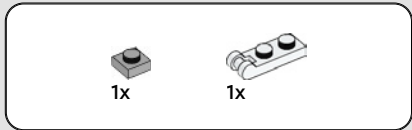


211

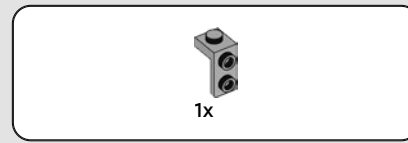
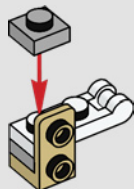




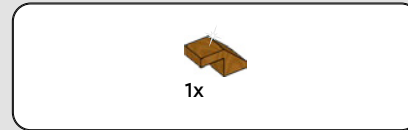
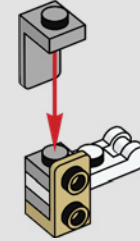
212



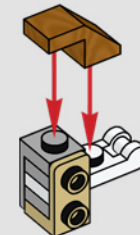
213

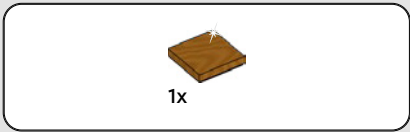


214

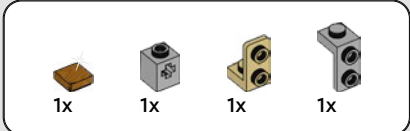
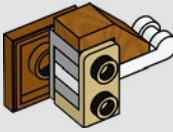


215

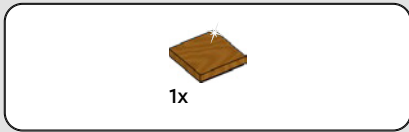
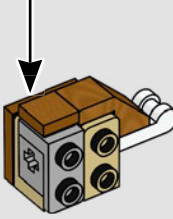
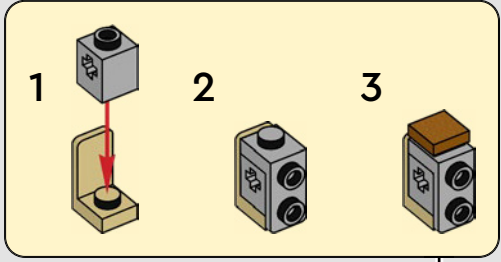




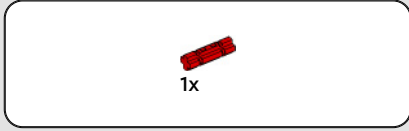
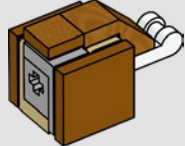
216



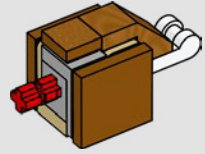
217

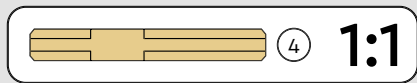
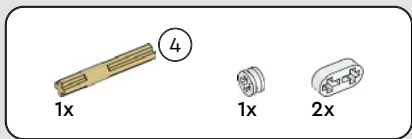


218

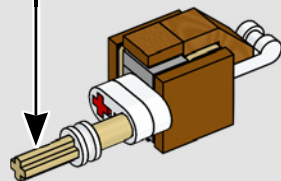
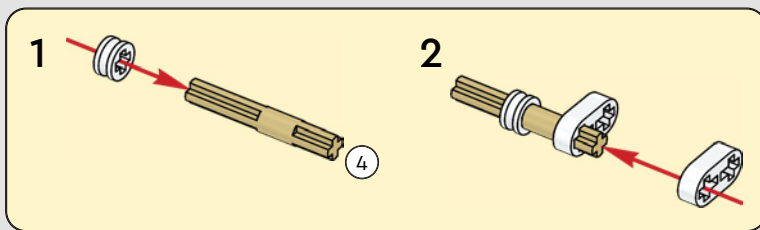


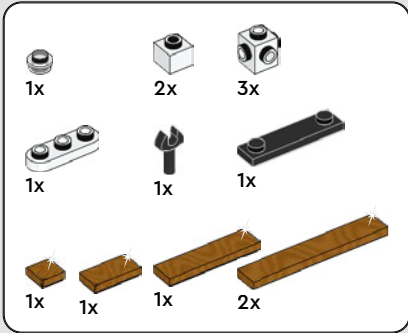
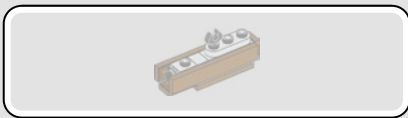
219



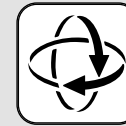
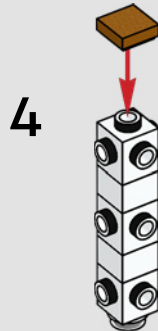
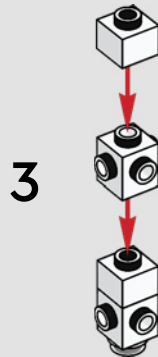
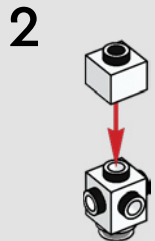
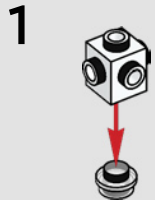


220

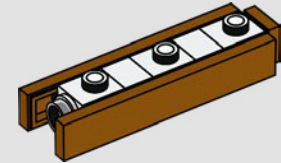




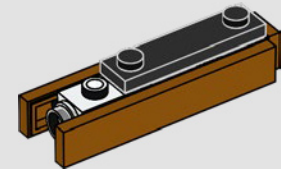
221



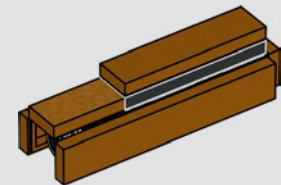
5



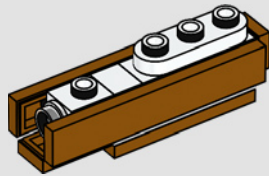
6



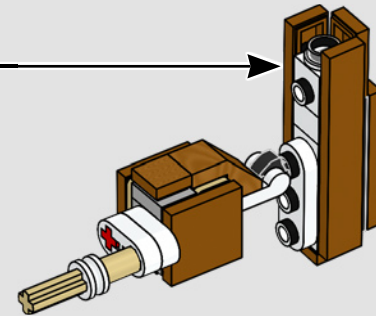
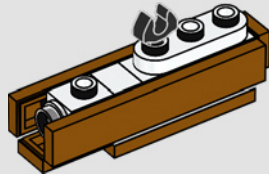
7

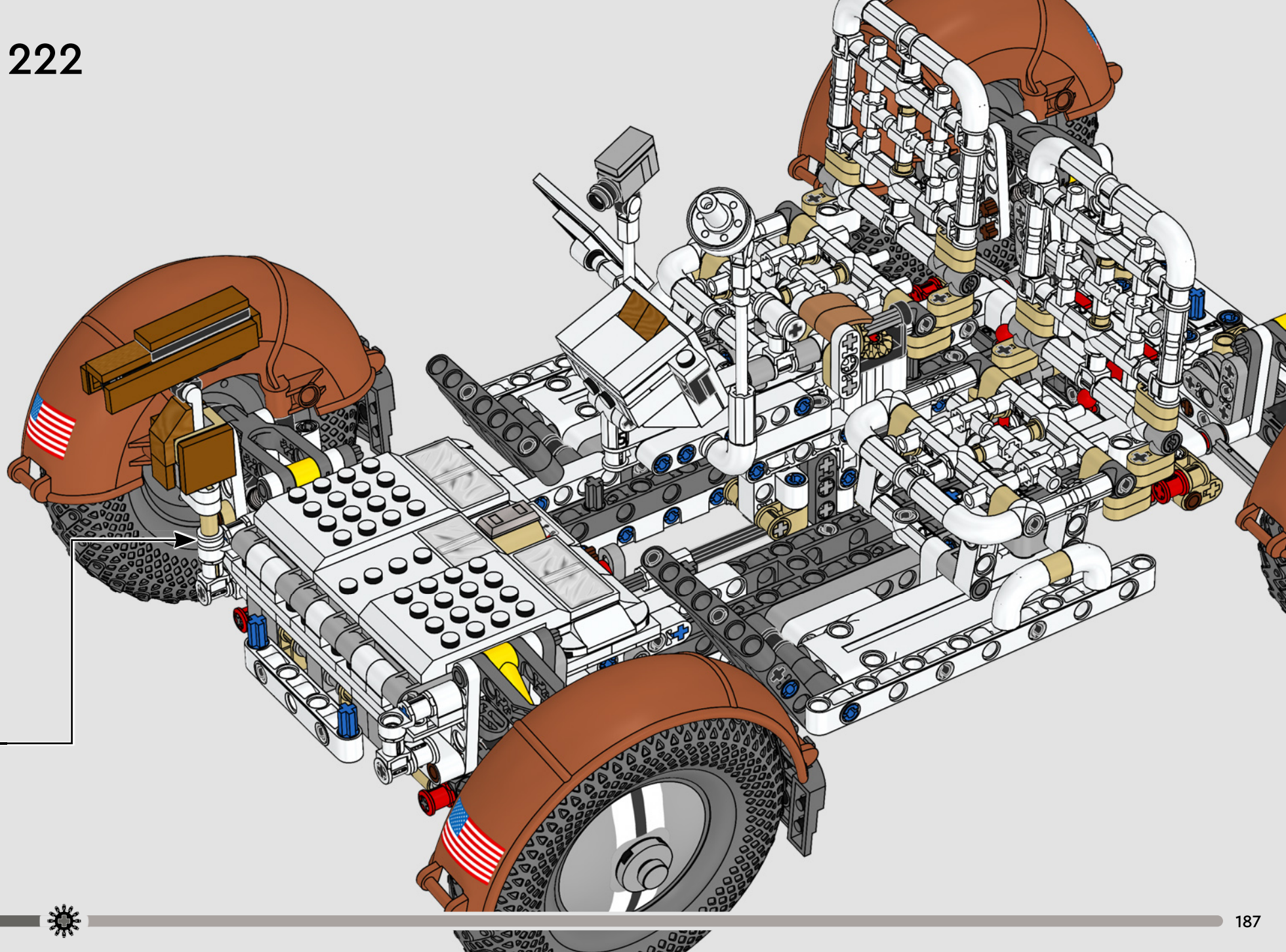


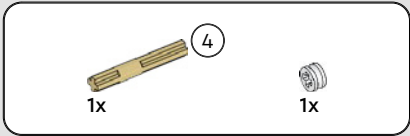
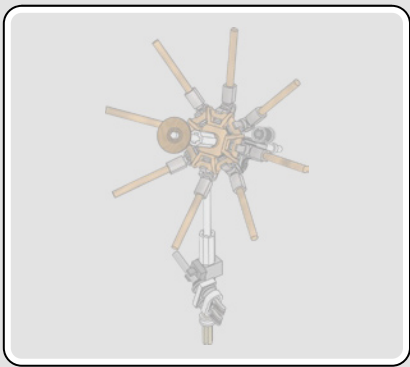
8



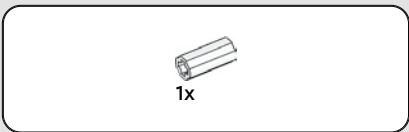
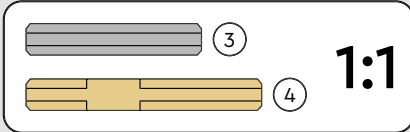
9



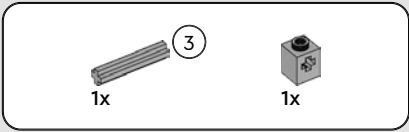




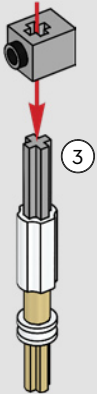
223

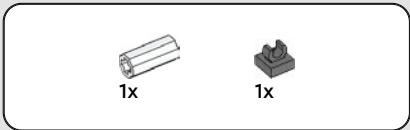


224

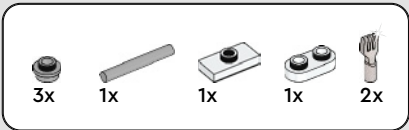
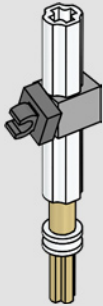


225

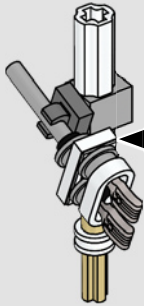
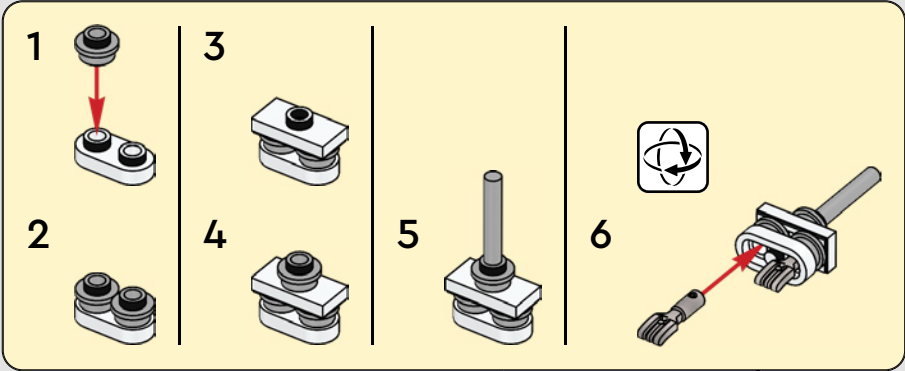


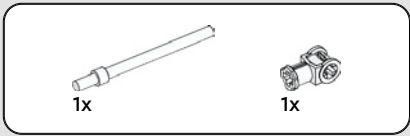


226

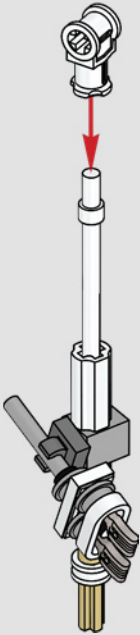


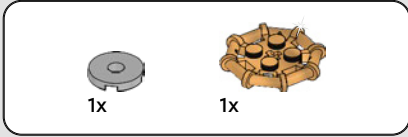
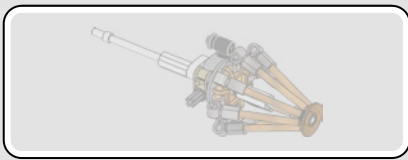
227



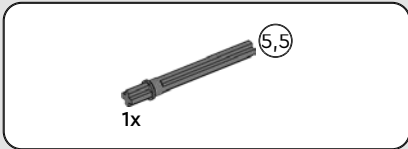
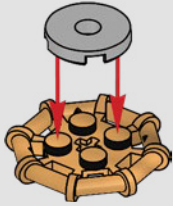


228

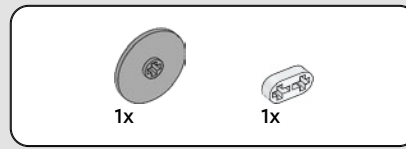
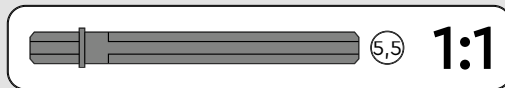
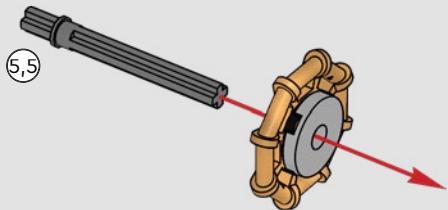




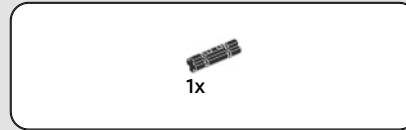
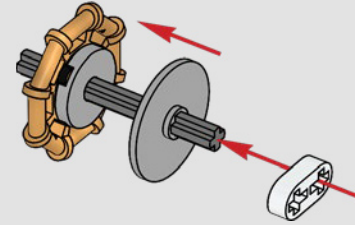
229



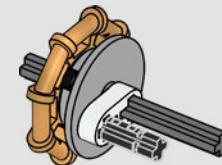
230

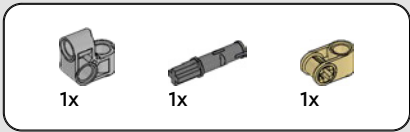


231

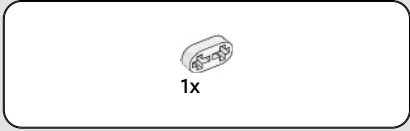
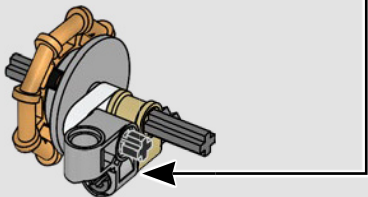
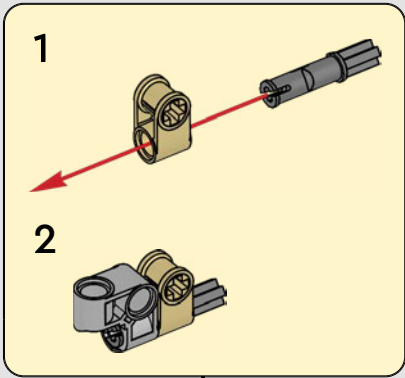


232

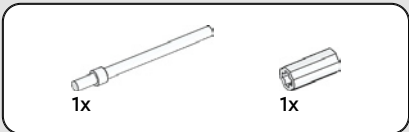
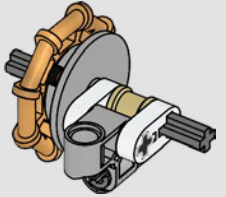




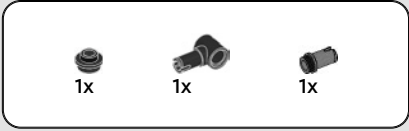
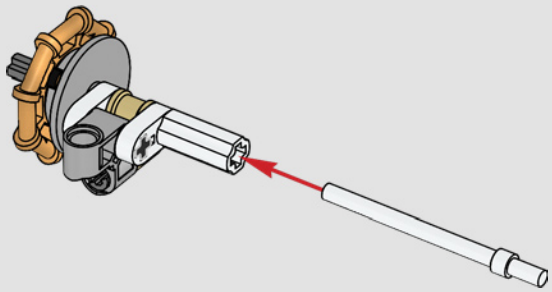
233



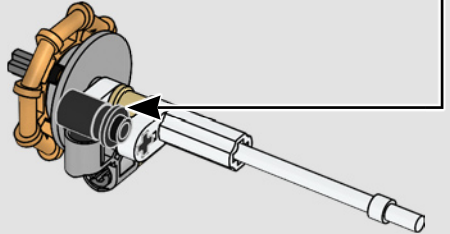
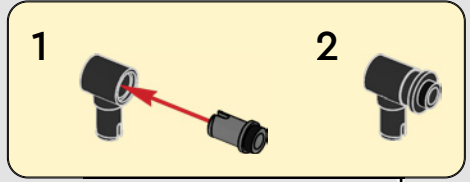
234

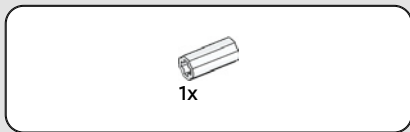


235

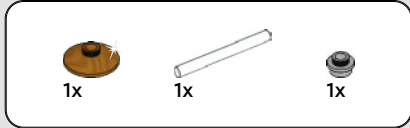
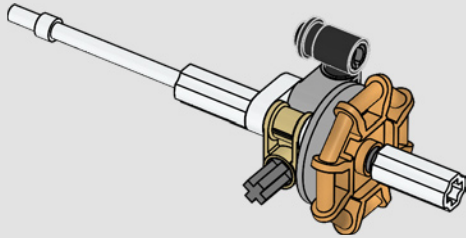


236

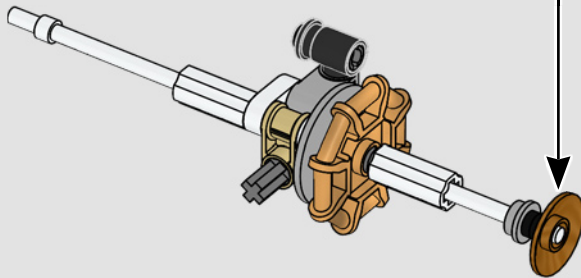
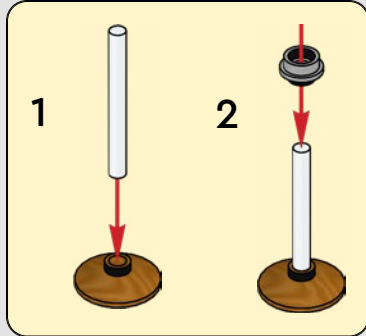




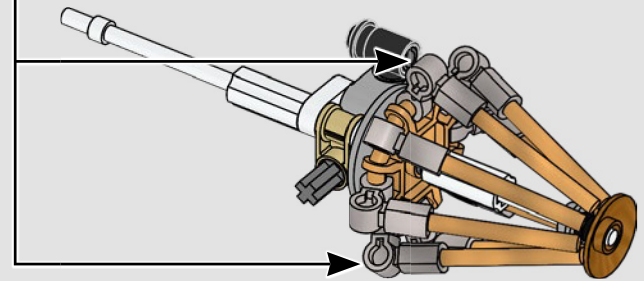
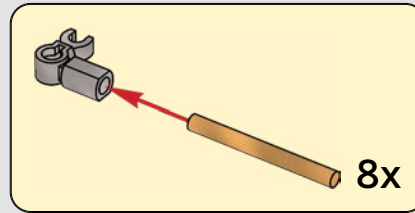
237



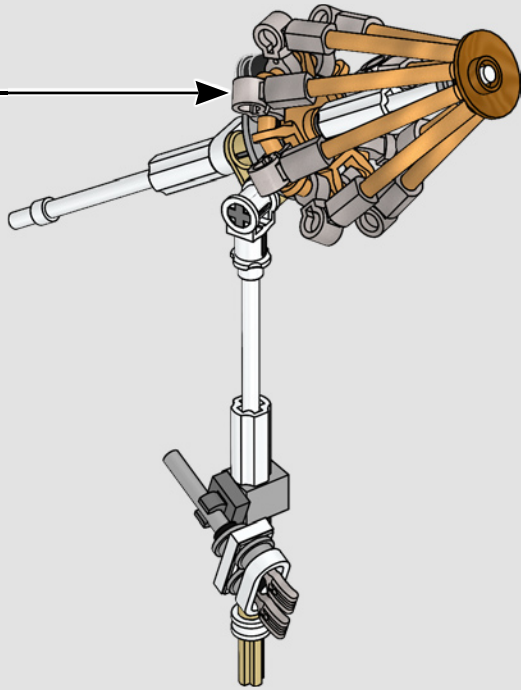
238



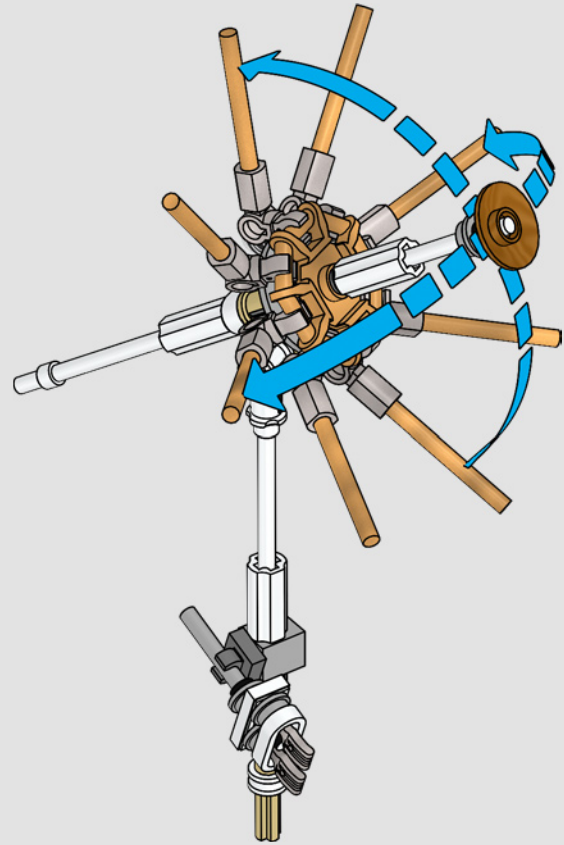
239



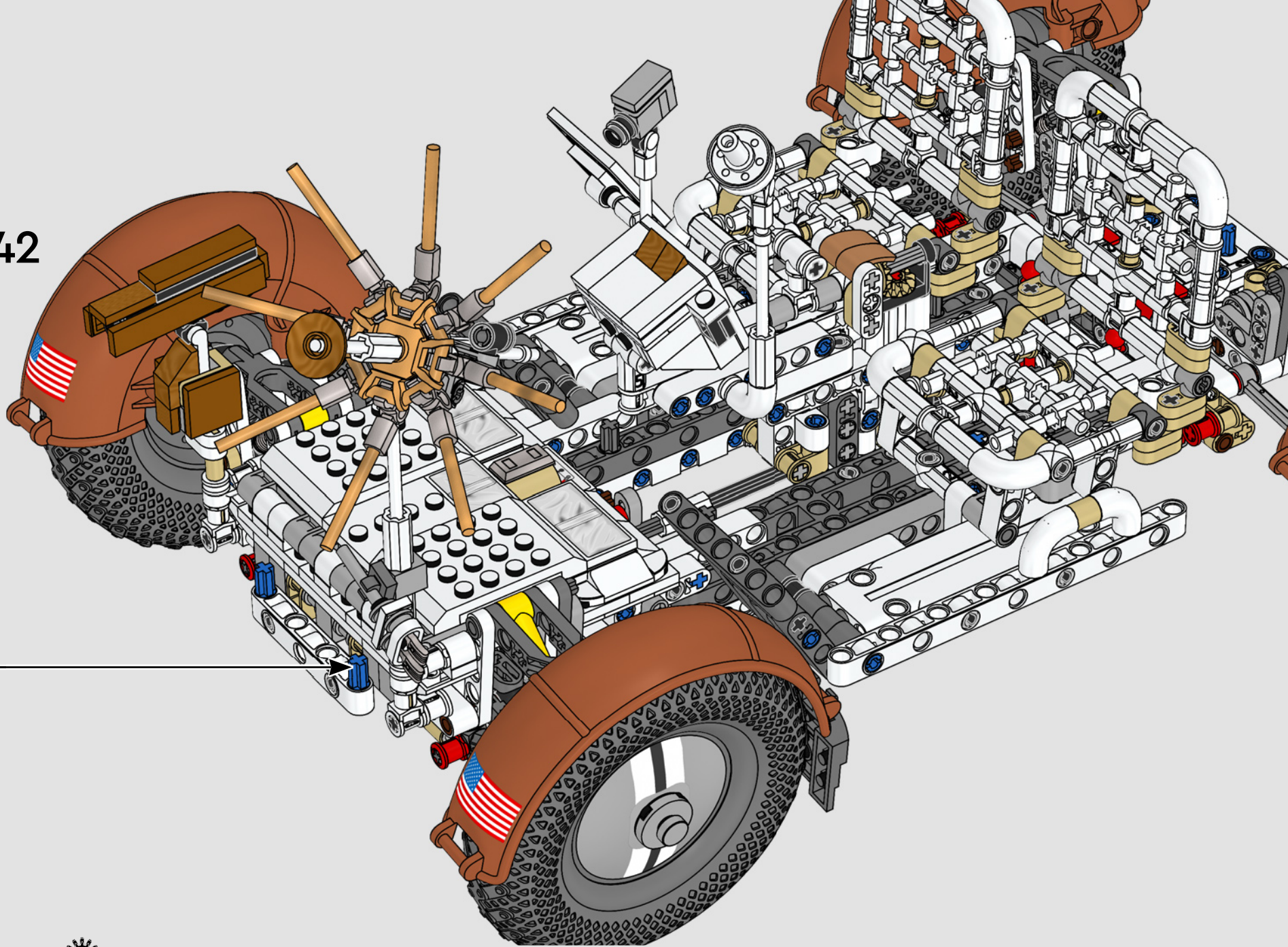
240

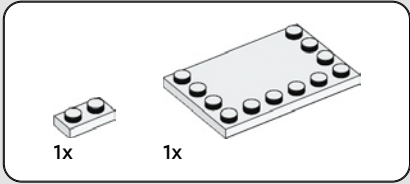
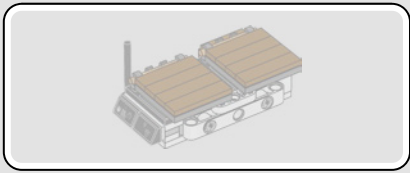


241

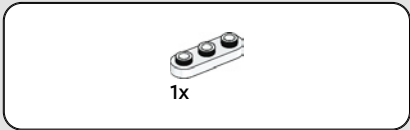
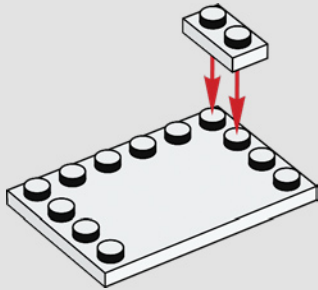


242

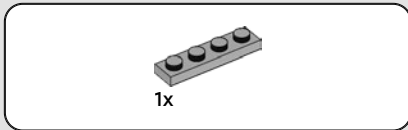
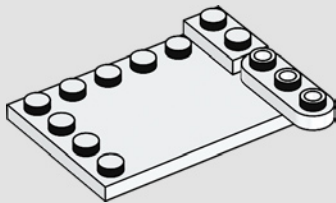




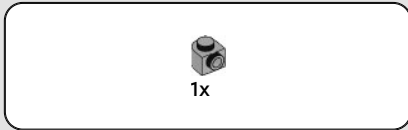
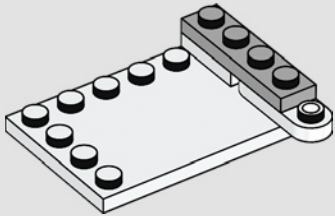
243



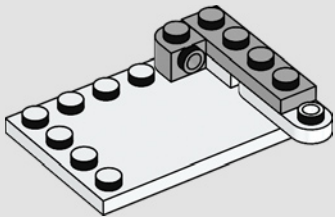
244

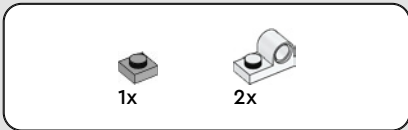


245

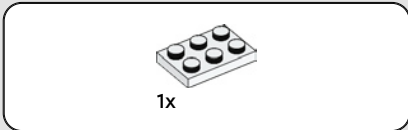
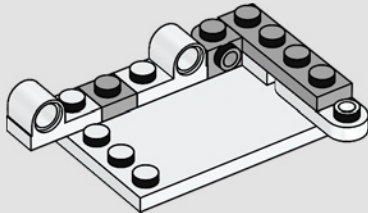


246

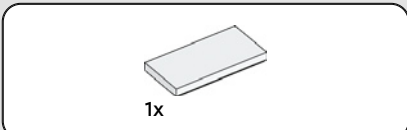
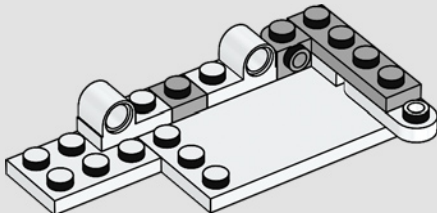




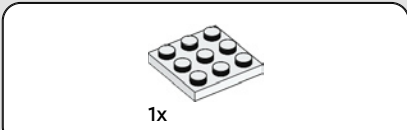
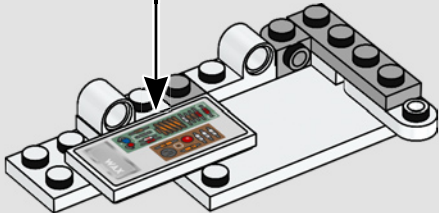
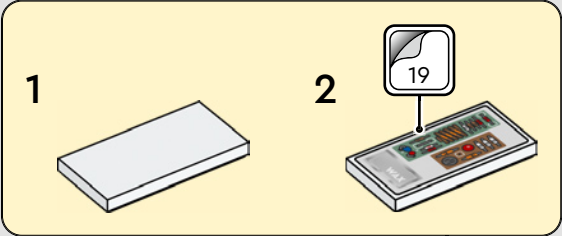
247



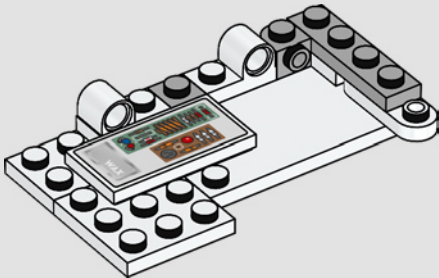
248



249



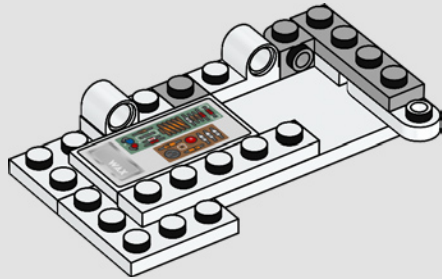
250





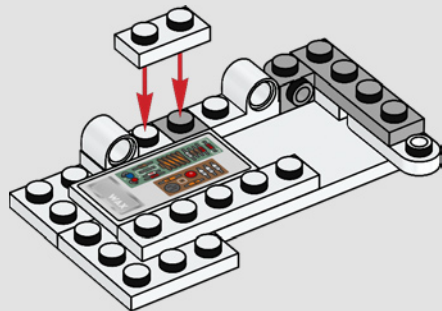
1x

251



1x

252

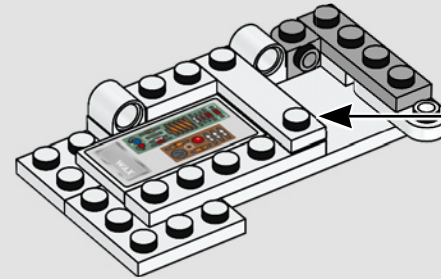


1x



1x

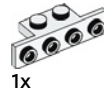
253



1x

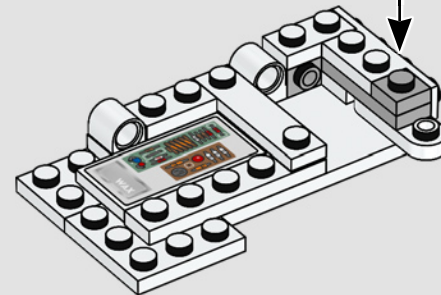


1x



1x

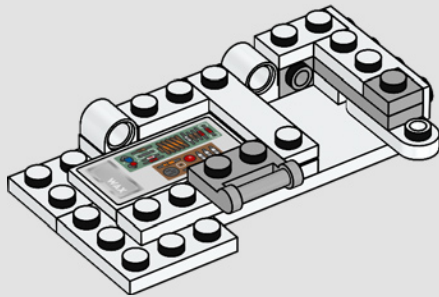
254





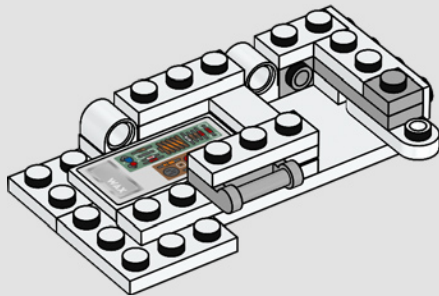
1x

255



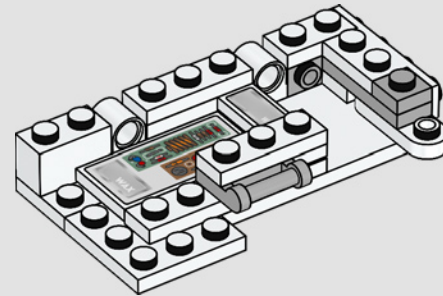
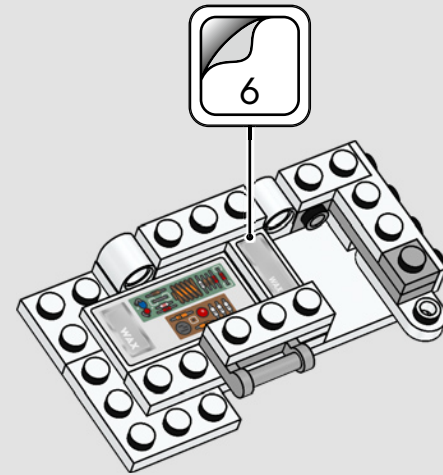
2x

256



1x

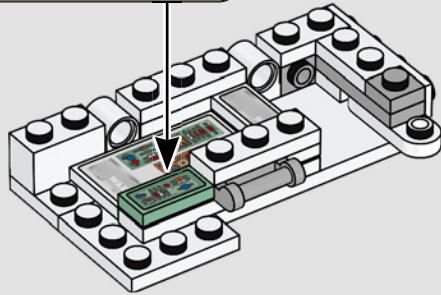
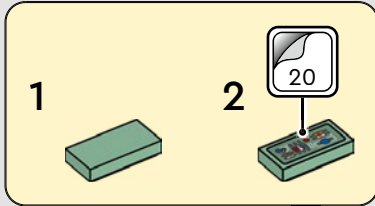
257





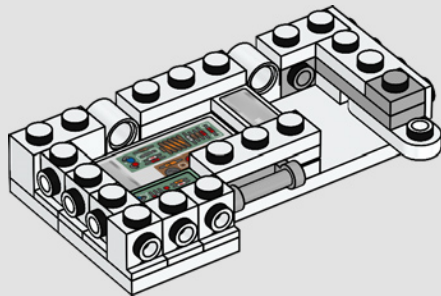
1x

259



6x

260

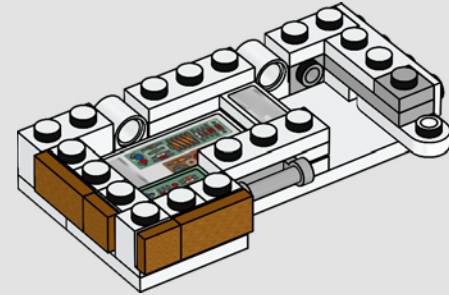


2x



2x

261

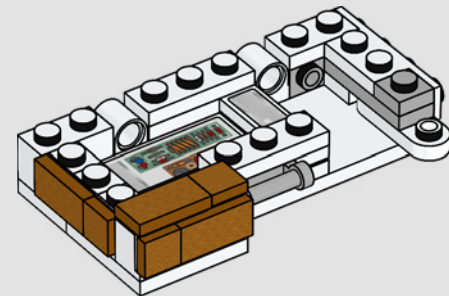


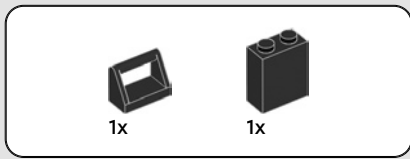
1x



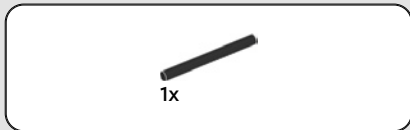
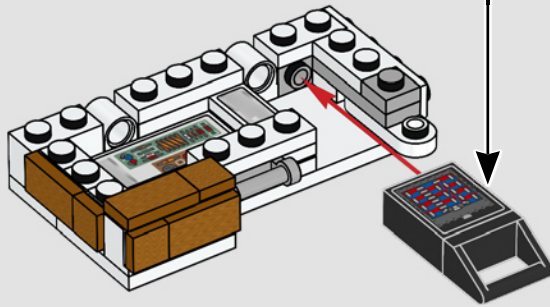
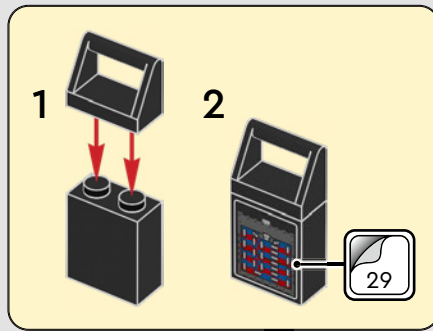
1x

262

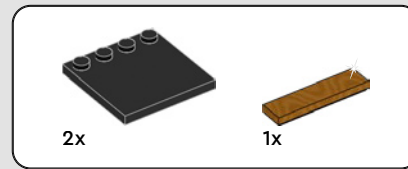
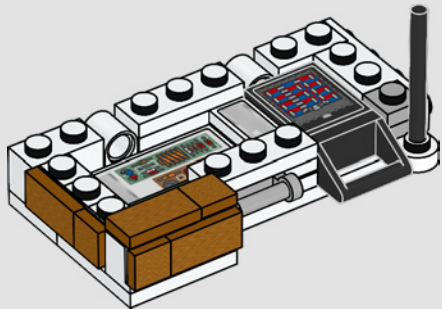




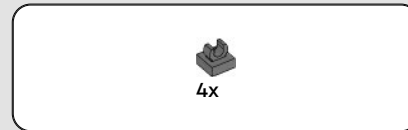
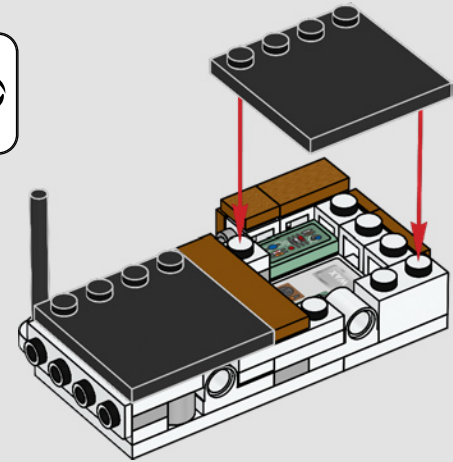
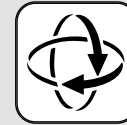
263



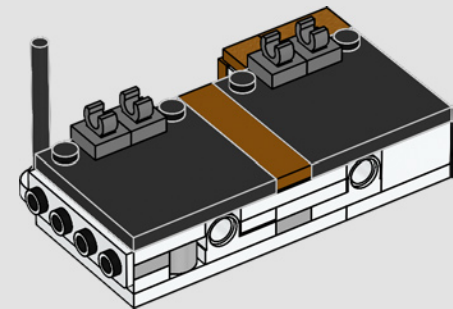
264



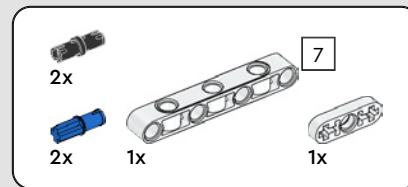
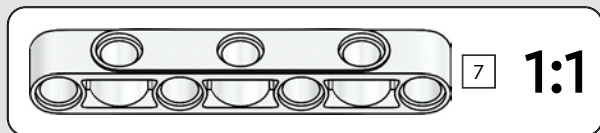
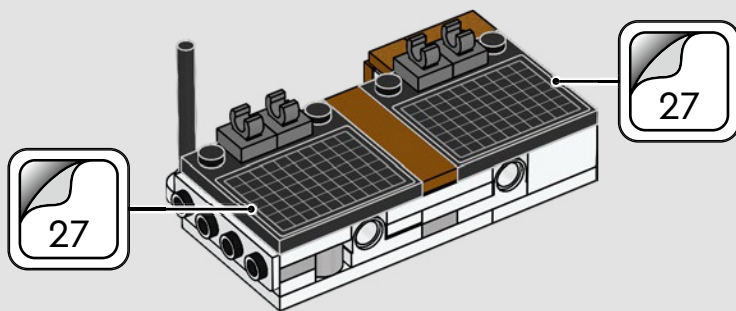
265



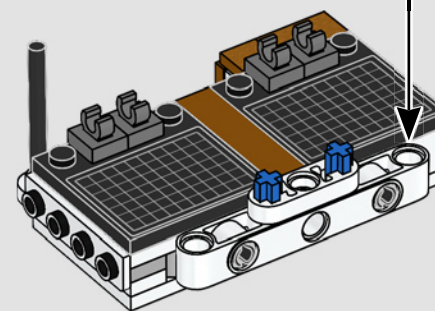
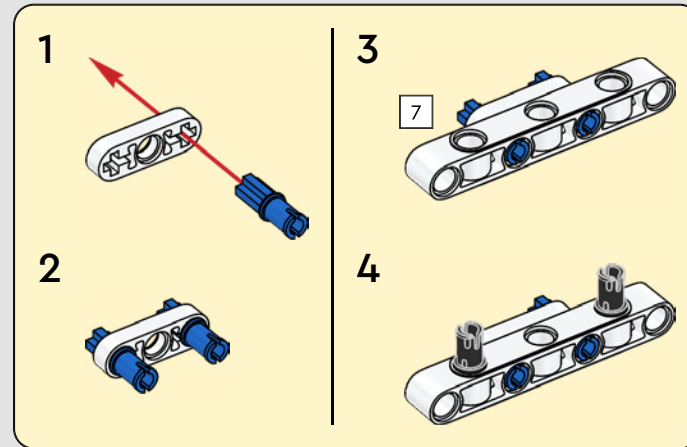
266

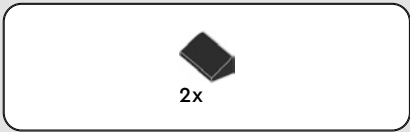


267

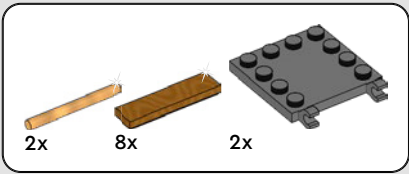
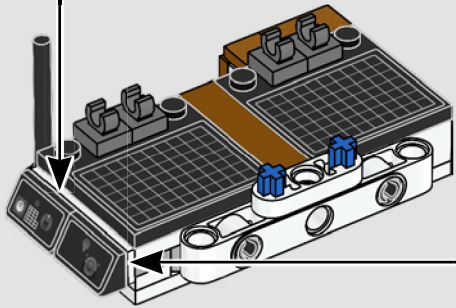
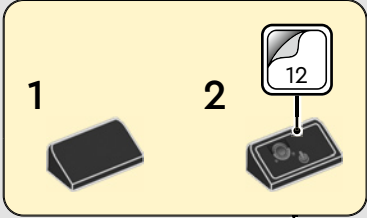
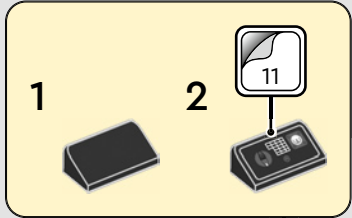


268

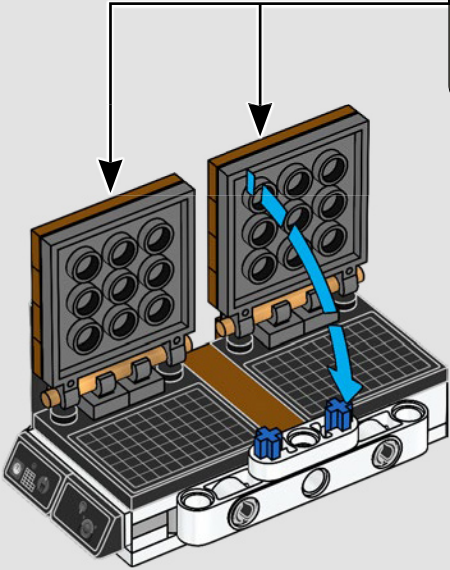
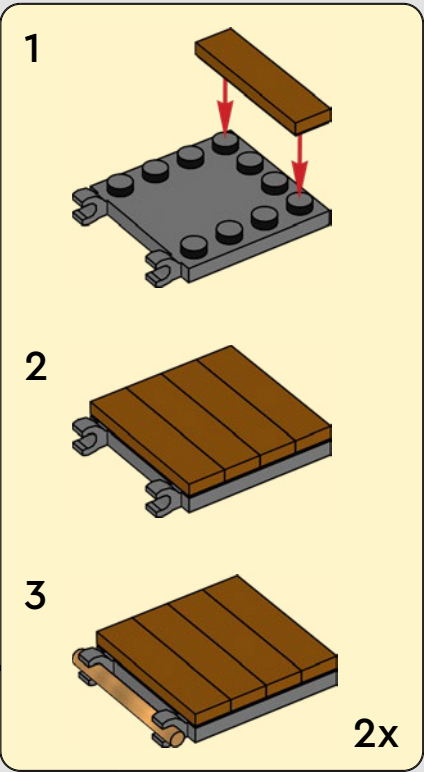


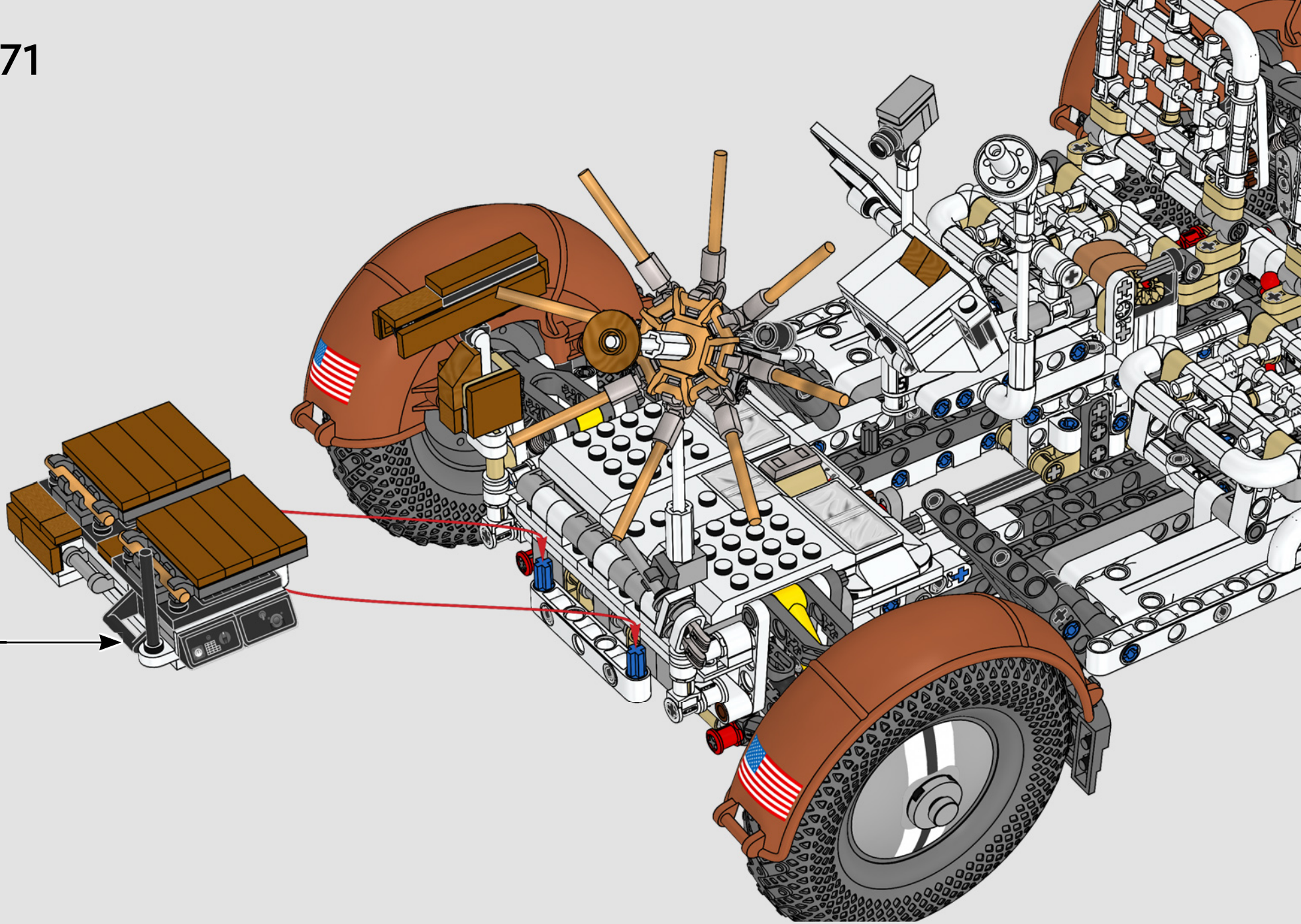


269

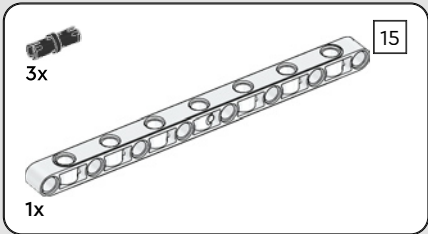
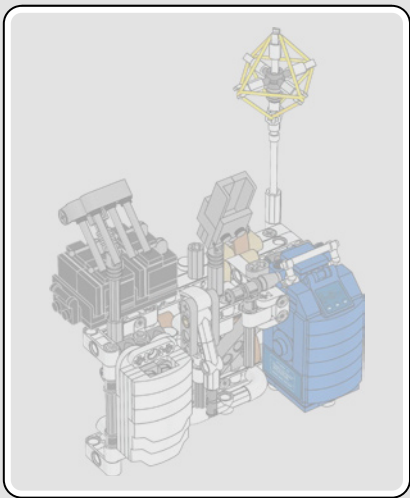


270

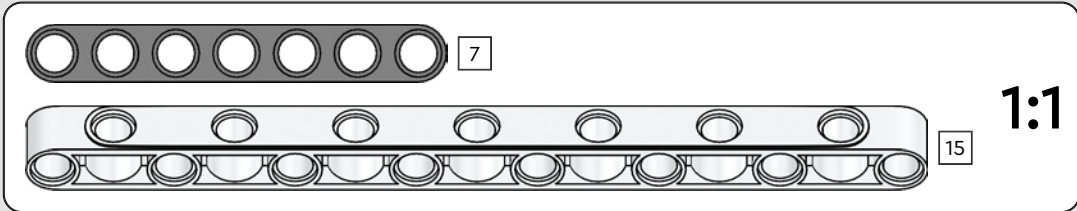
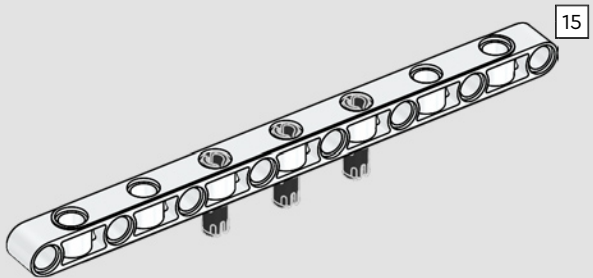




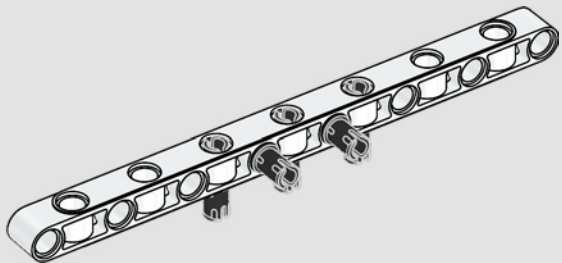


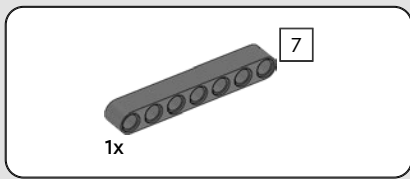


272

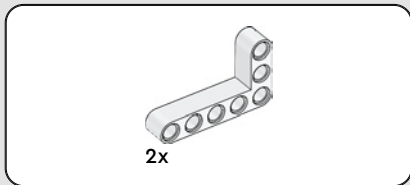
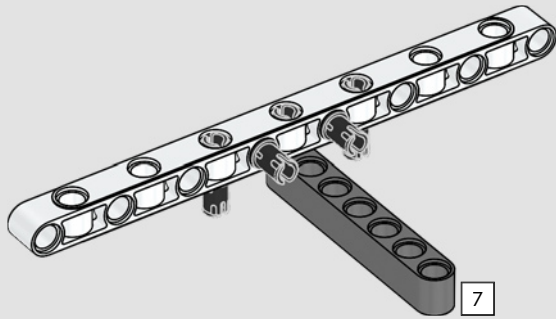


273

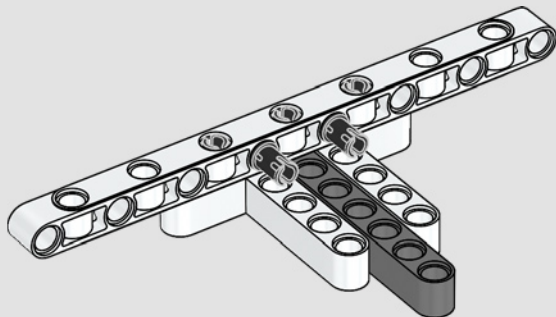




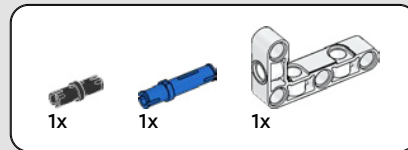
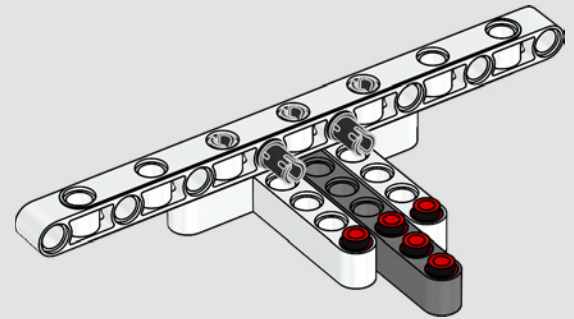
274



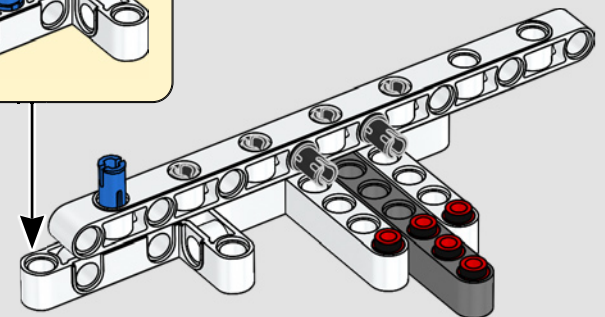
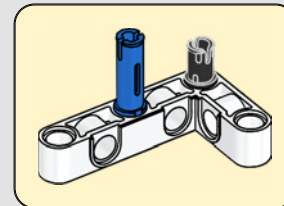
275



276



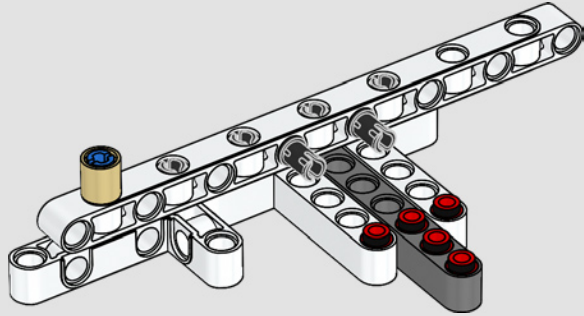
277





1x

278

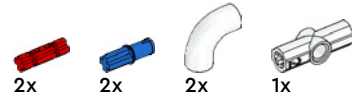
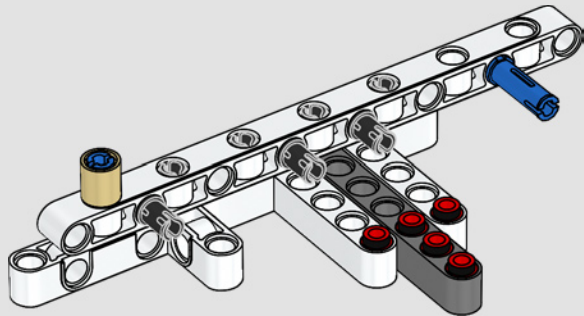


1x



1x

279



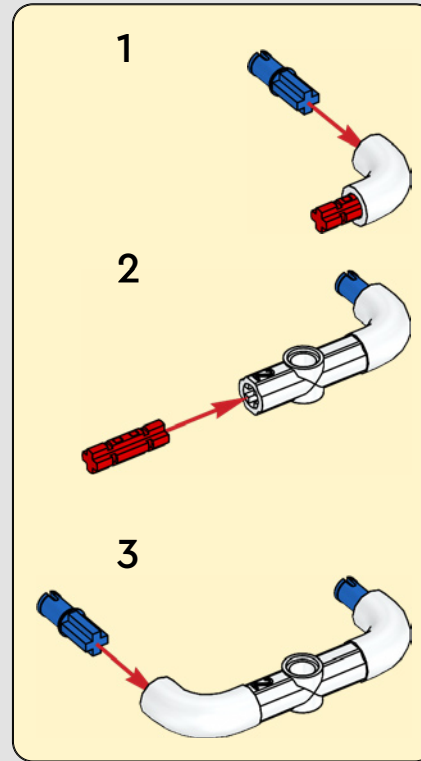
2x

2x

2x

1x

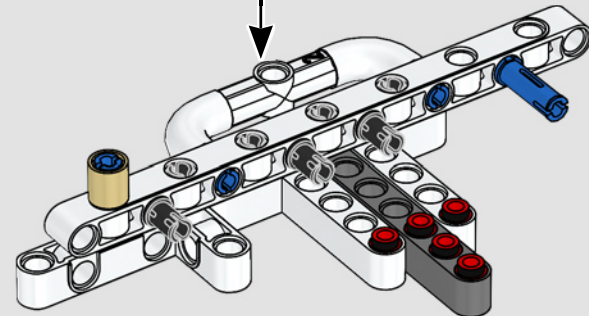
280

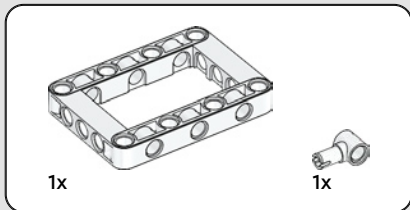
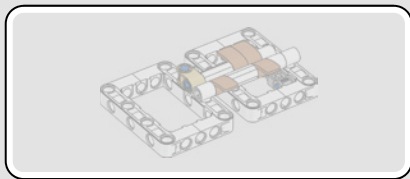


1

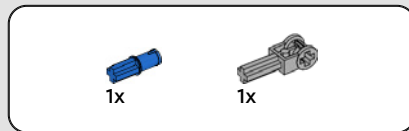
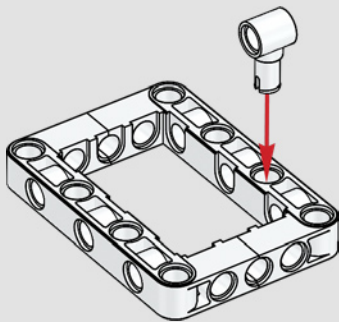
2

3

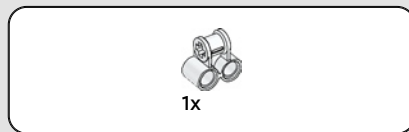
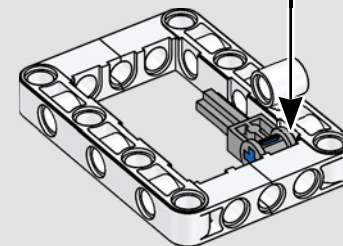
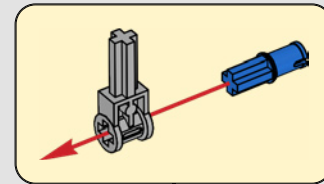




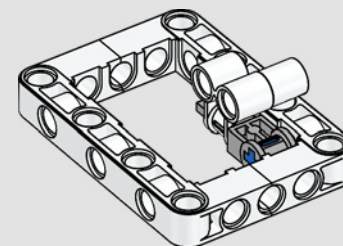
281

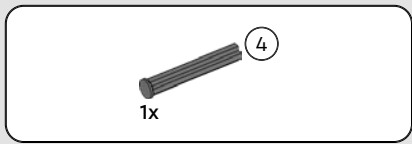


282

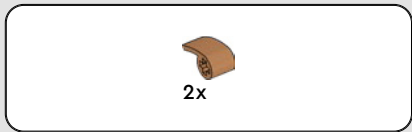
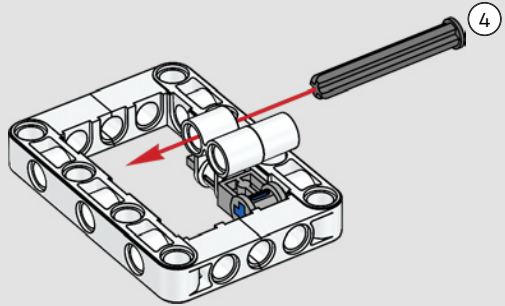


283

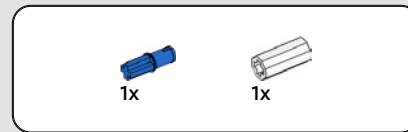
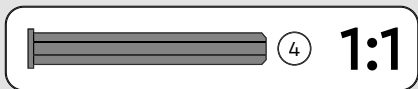
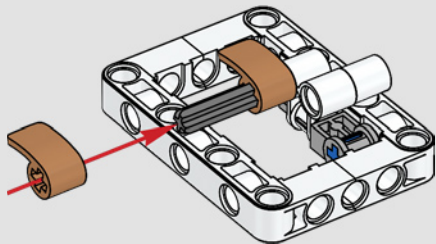




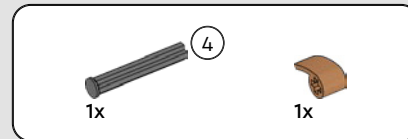
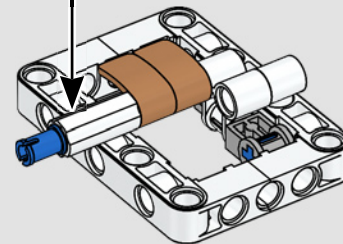
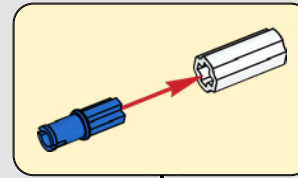
284



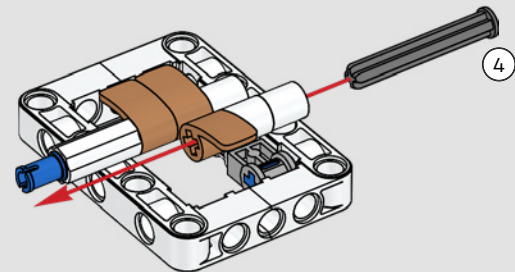
285

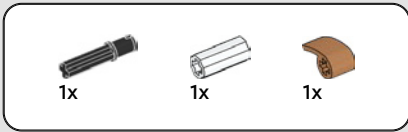


286

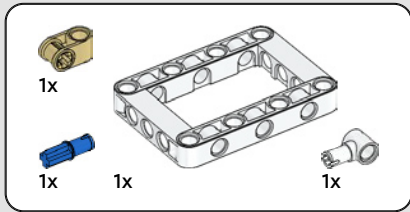
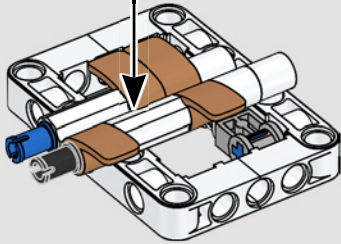
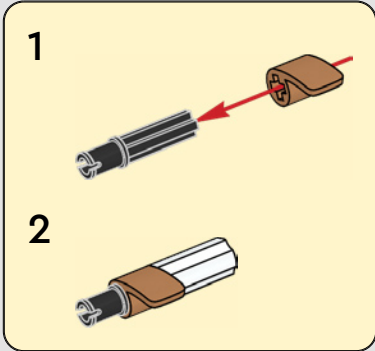


287

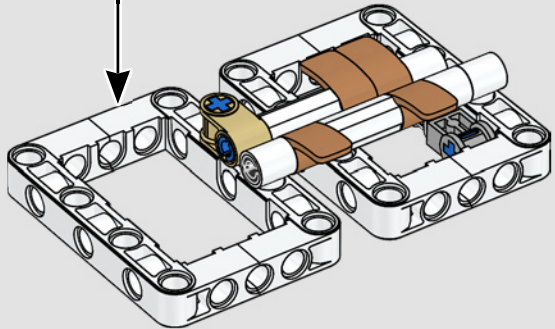
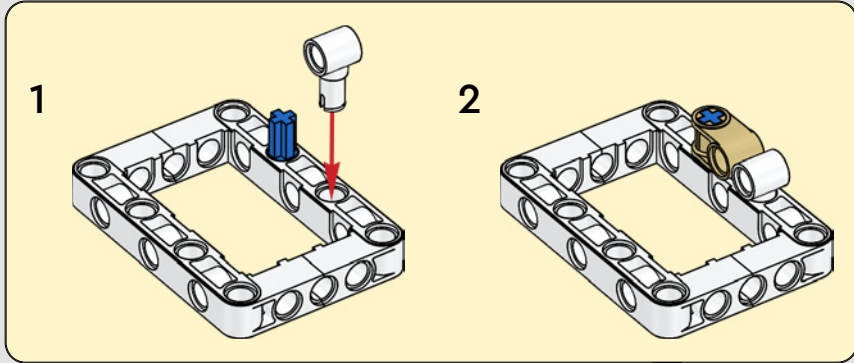




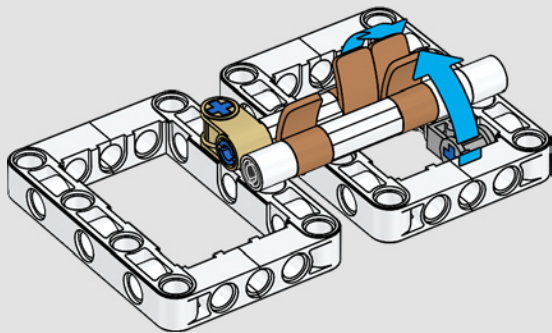
288



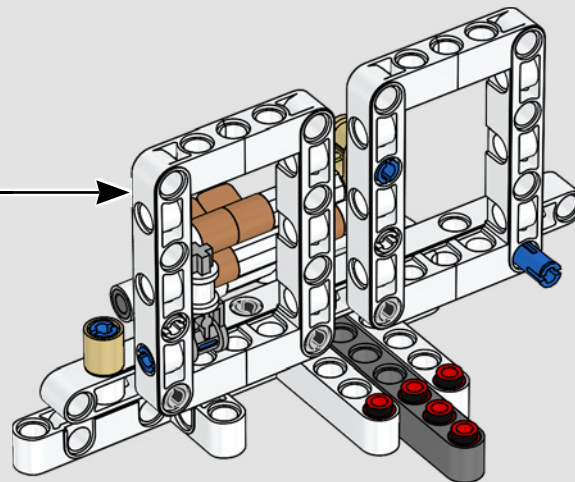
289

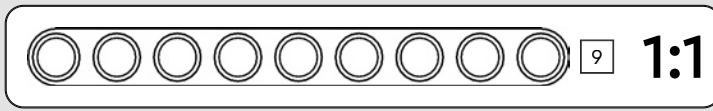
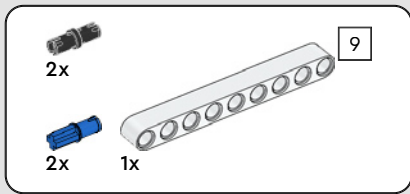


290

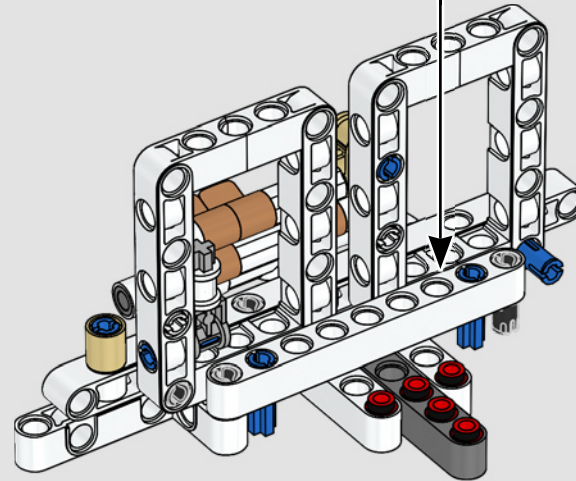
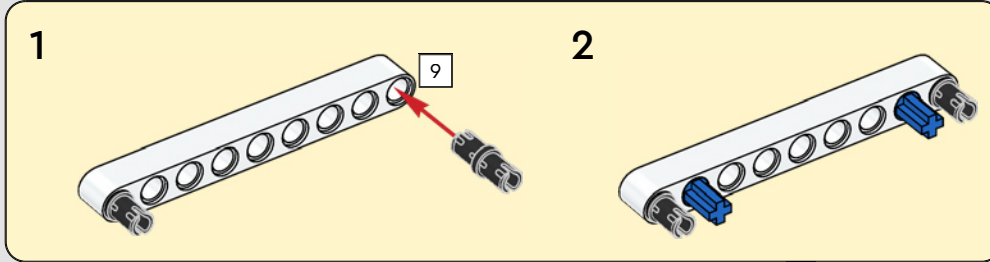


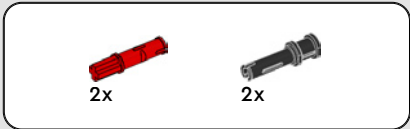
291



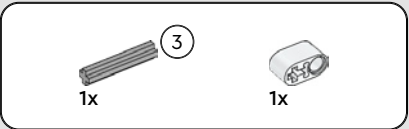
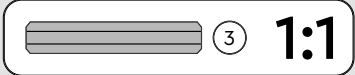
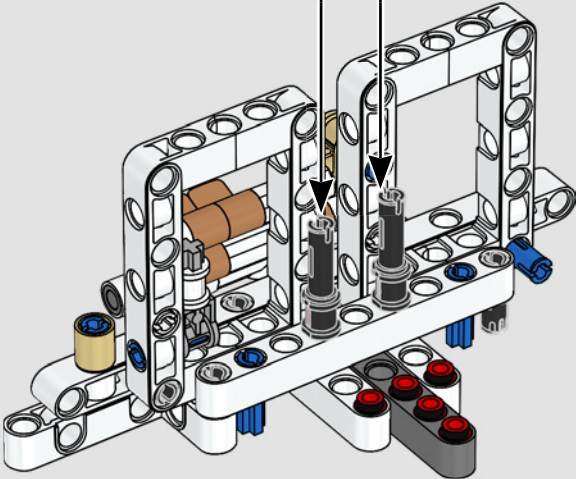
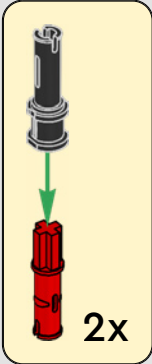


292

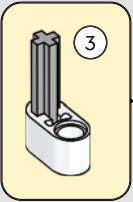
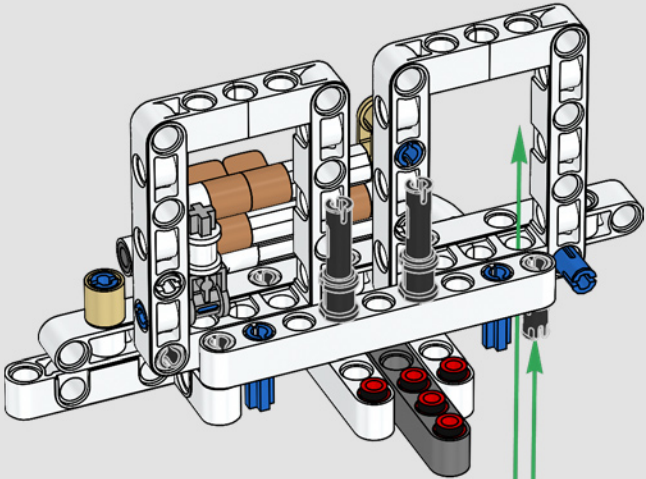


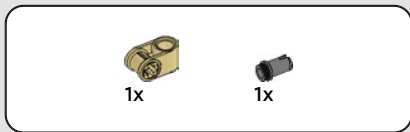


293

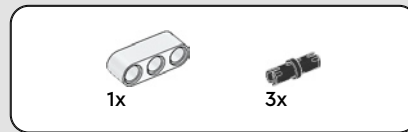
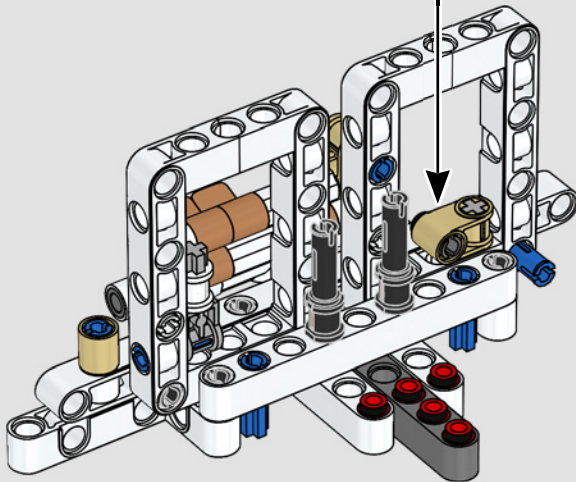
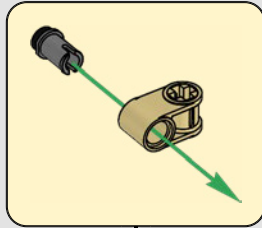


294

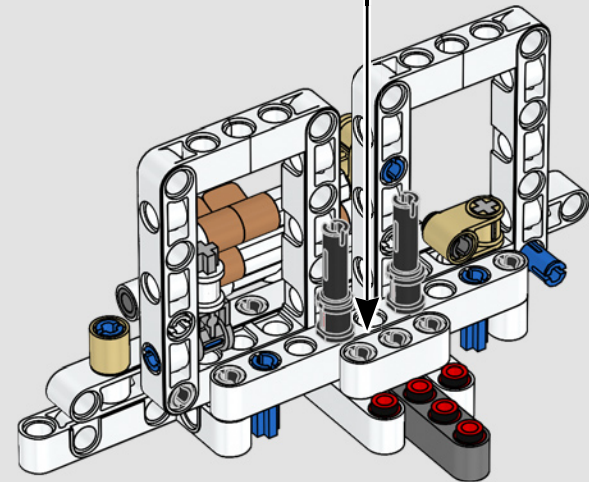
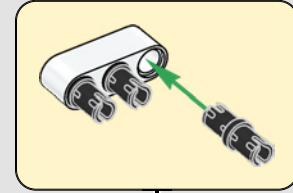




295



296



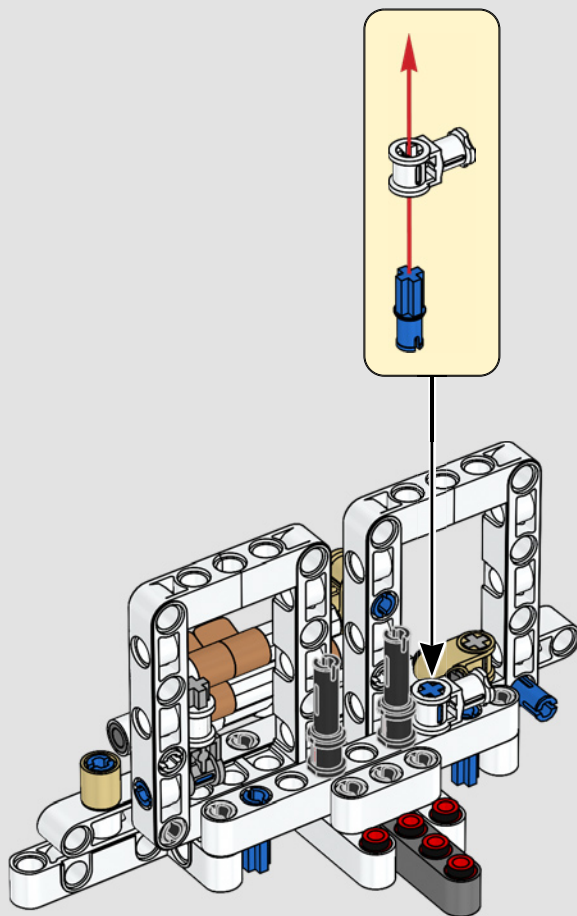


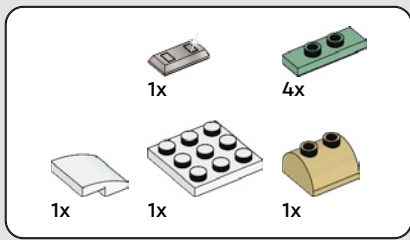
1x



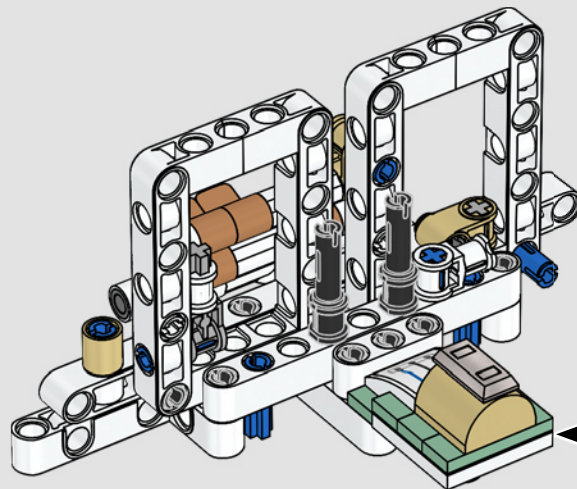
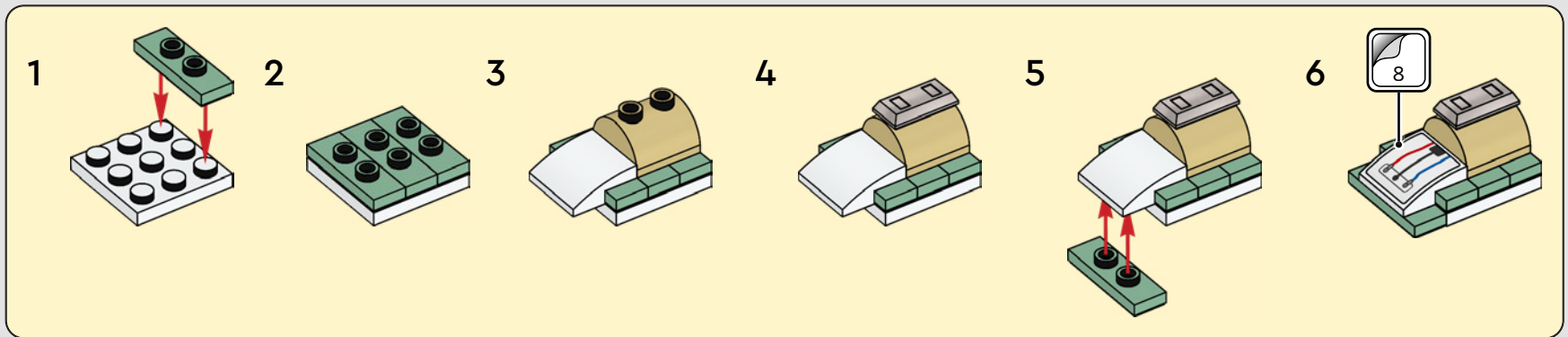
1x

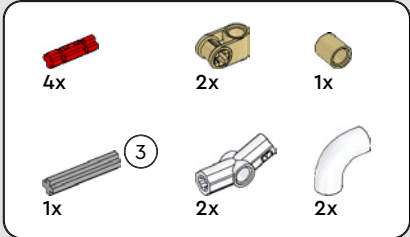
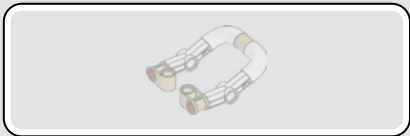
297



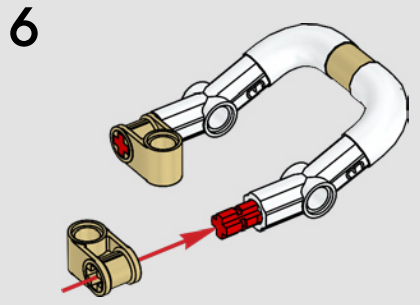
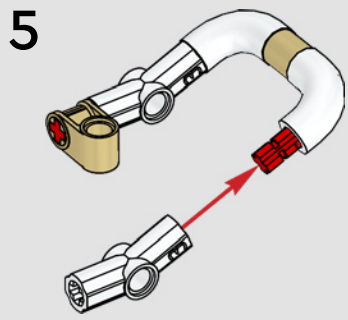
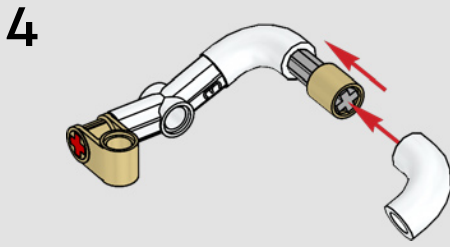
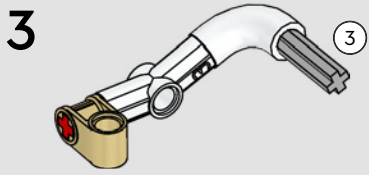
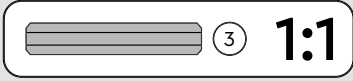
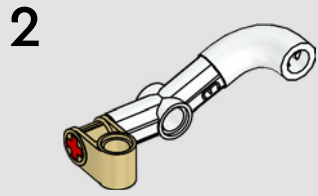
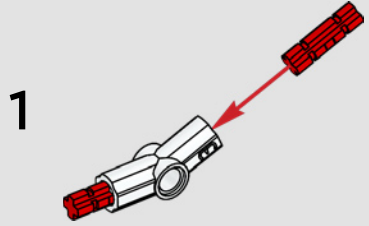


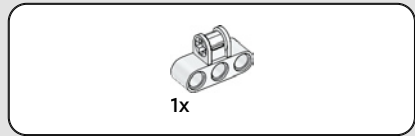
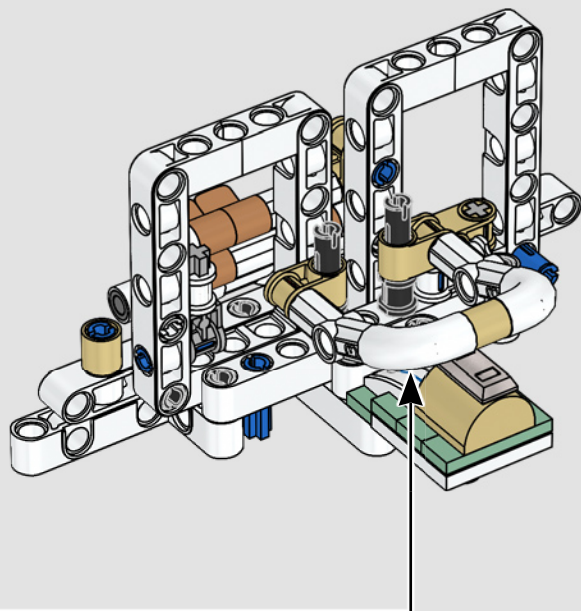
298



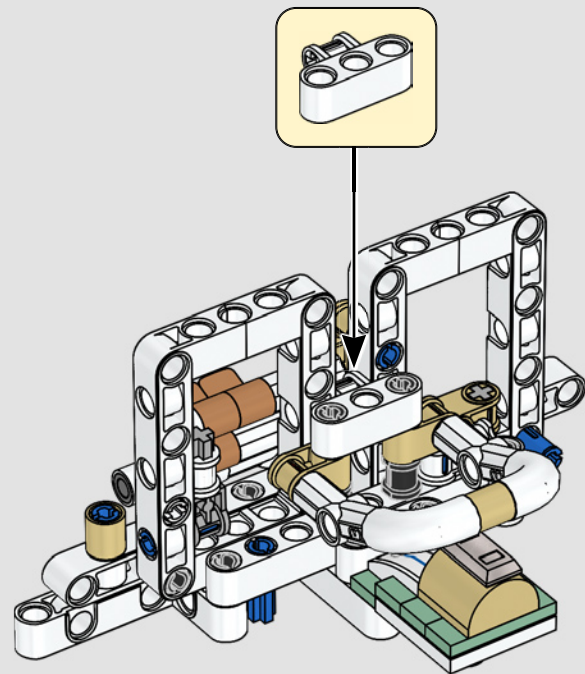


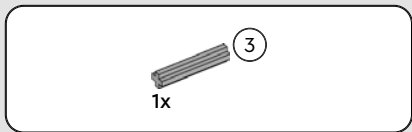
299



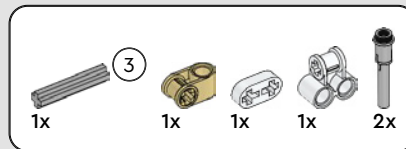
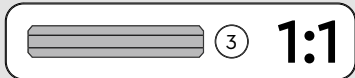
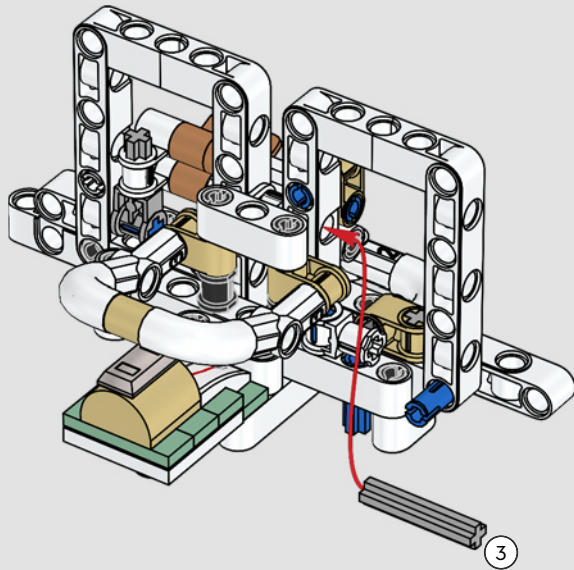


300

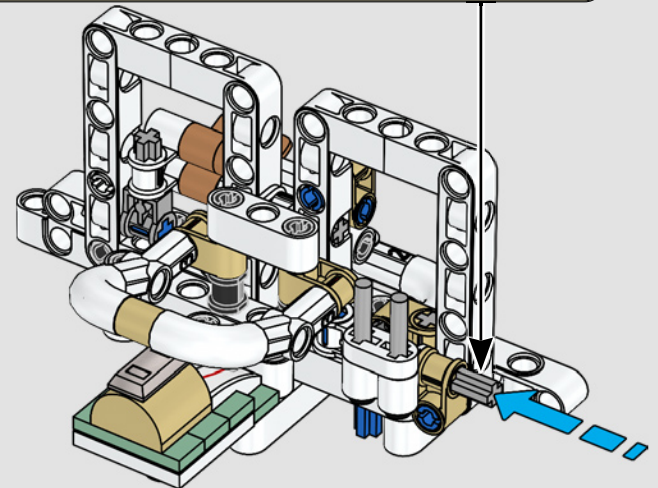
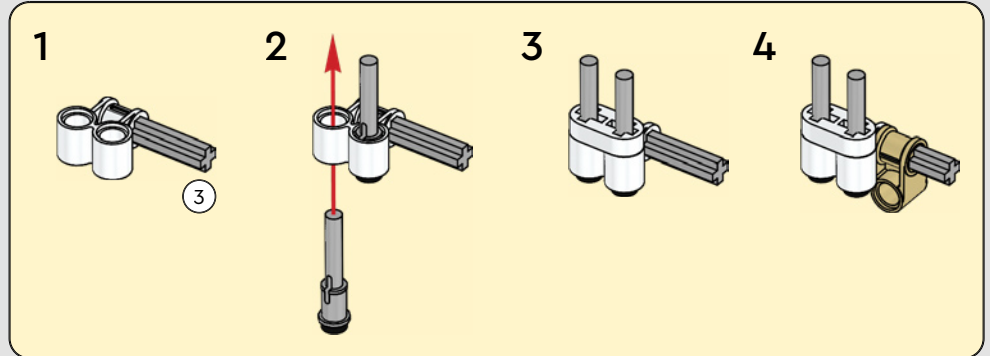


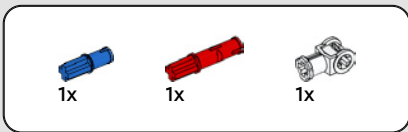


301

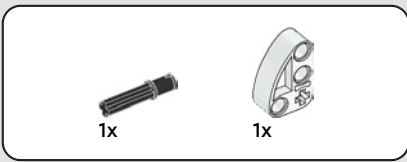
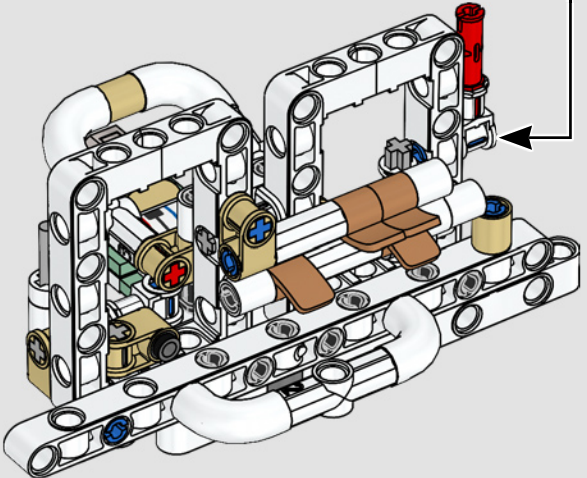
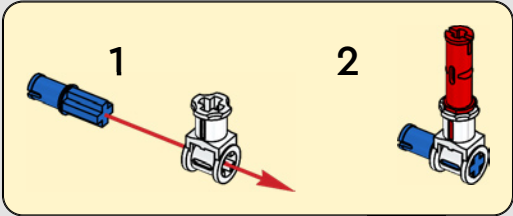


302

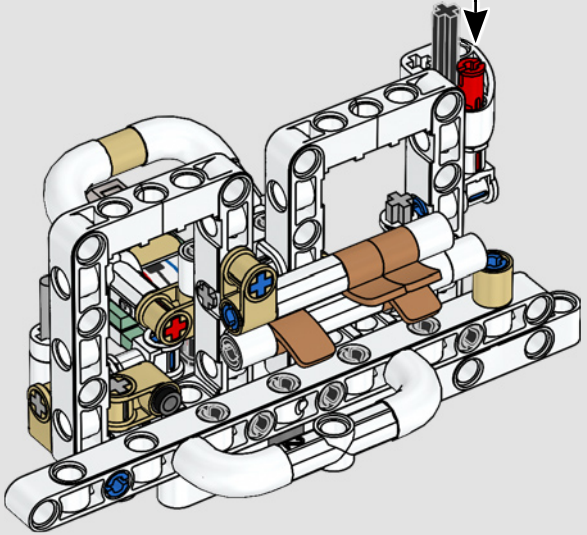
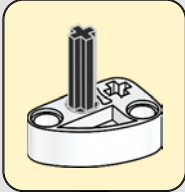


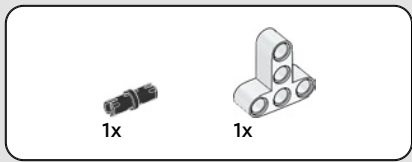


303

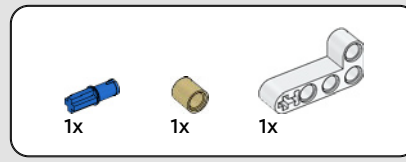
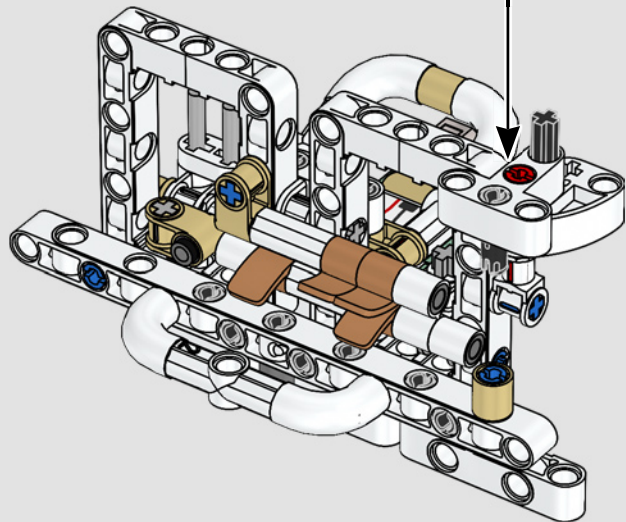
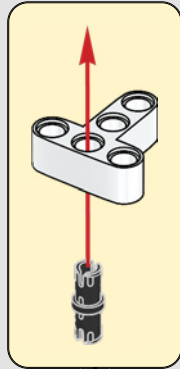


304

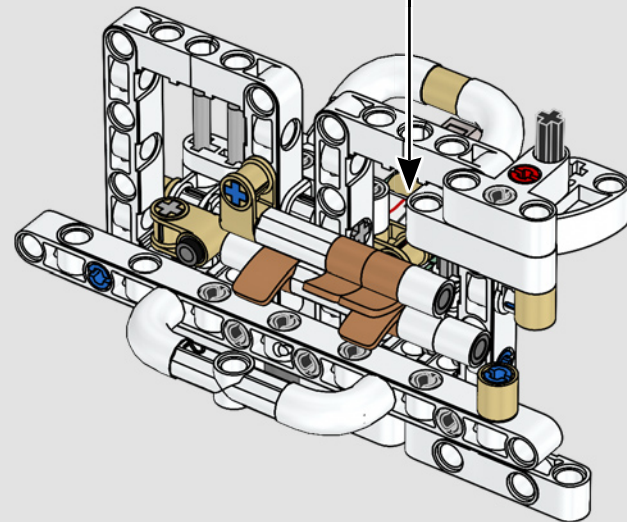
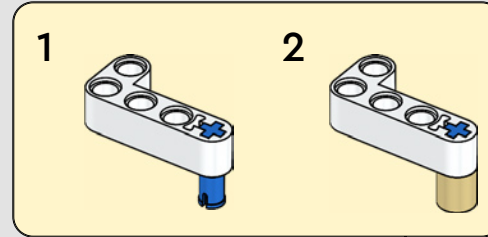


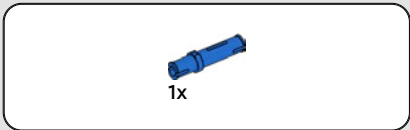


305

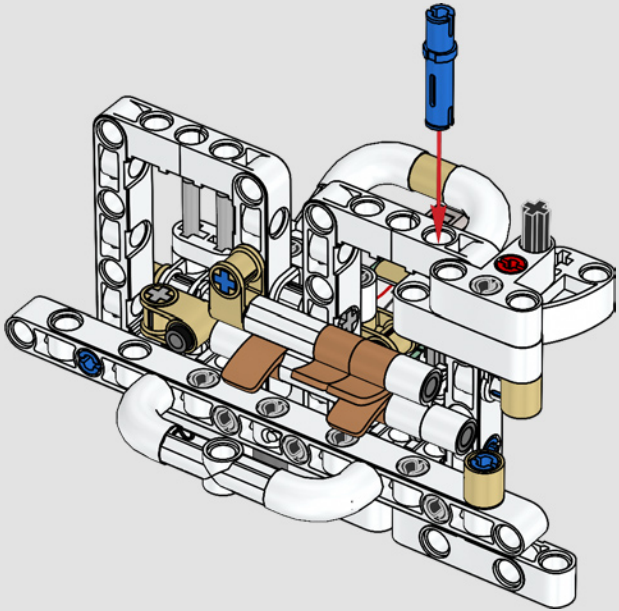


306

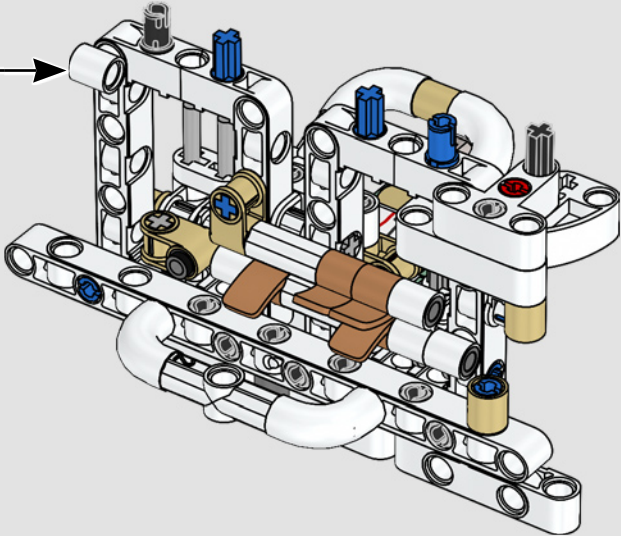




307



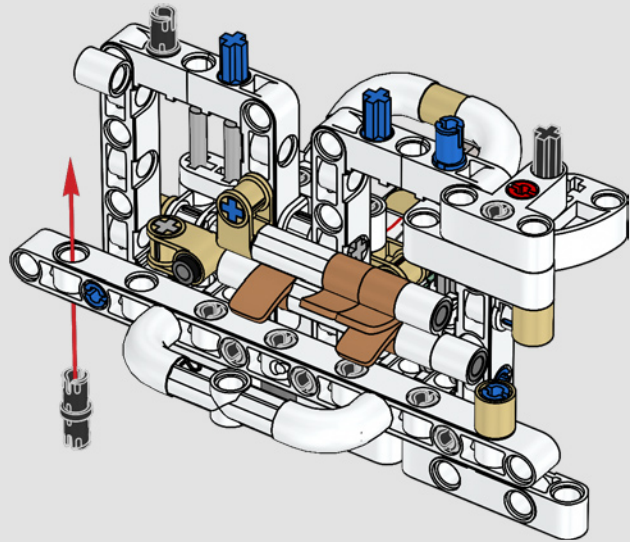
308





1x

309

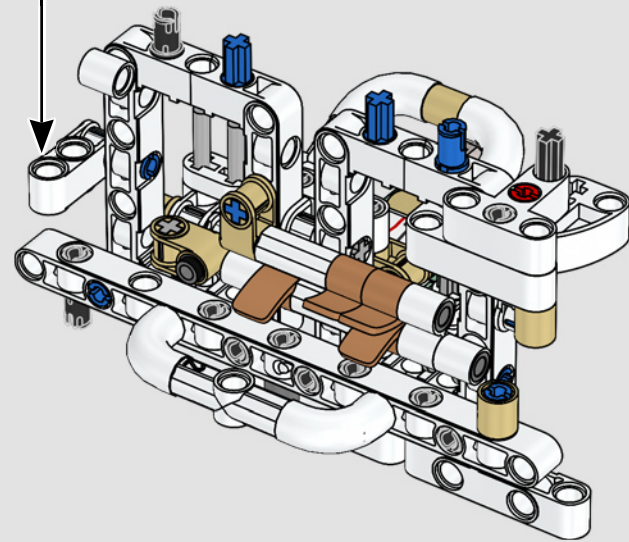
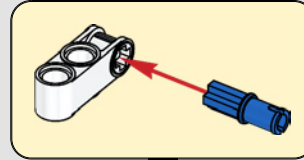


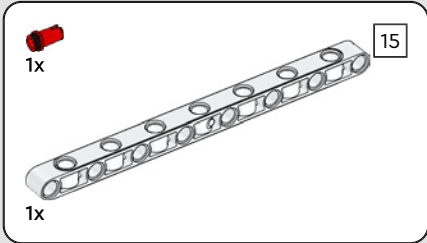
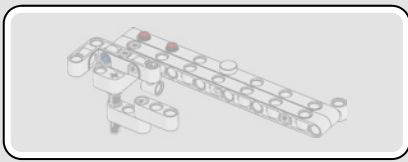
1x



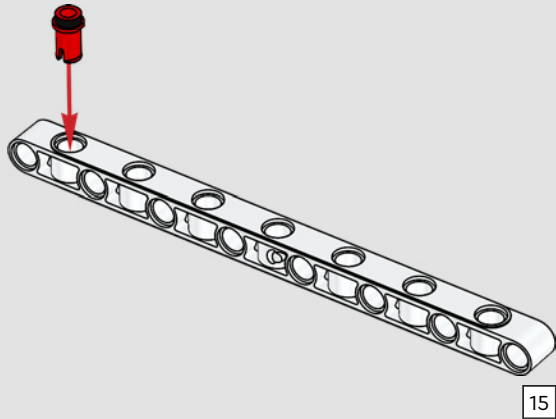
1x

310

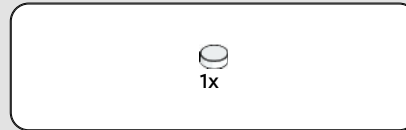
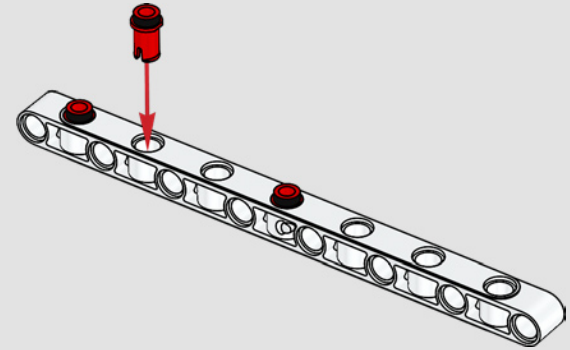




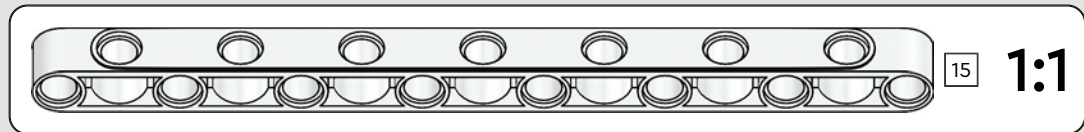
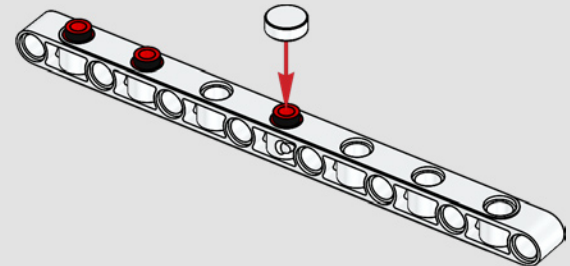
311

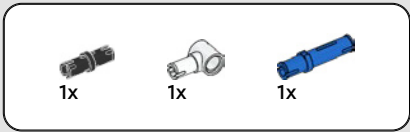


312

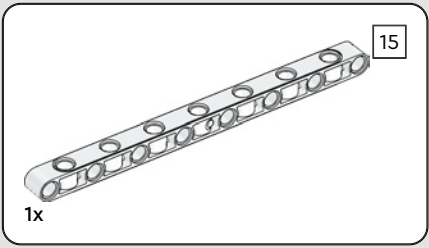


313

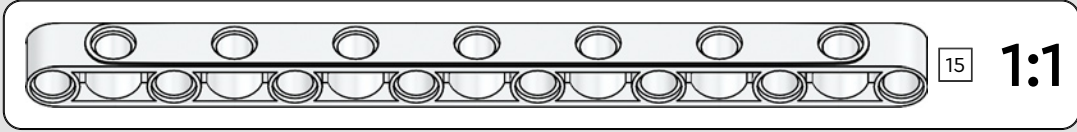
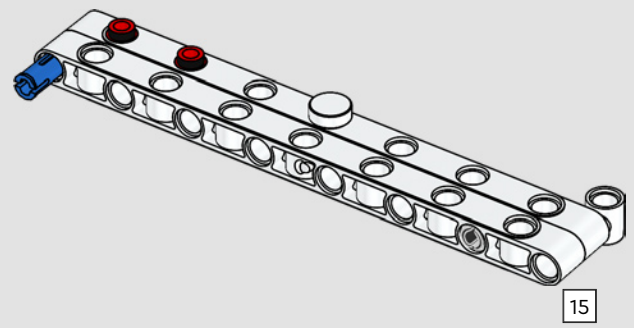
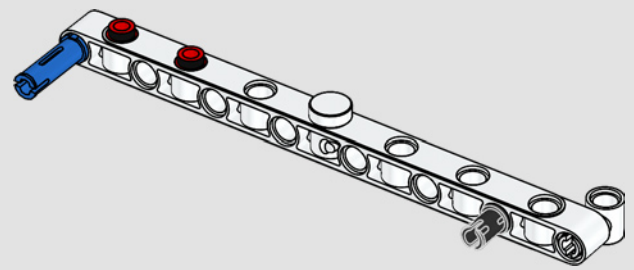


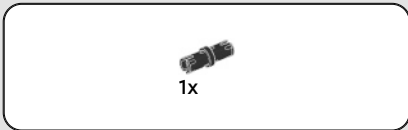


314

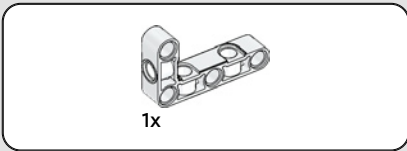
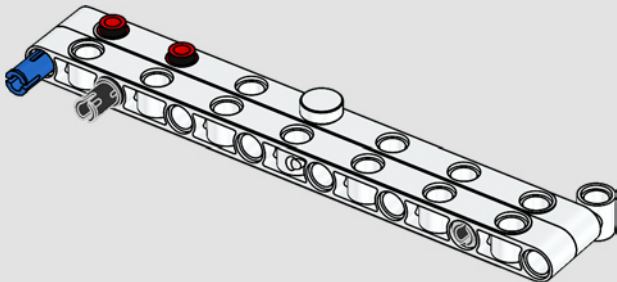


315

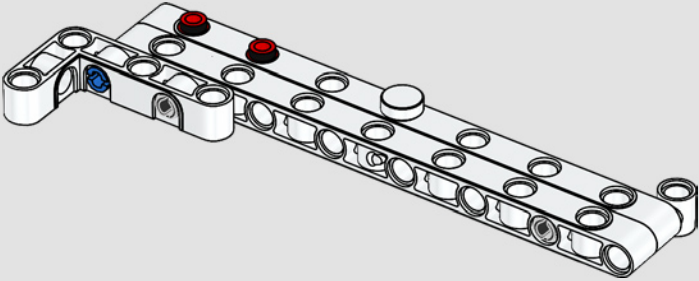




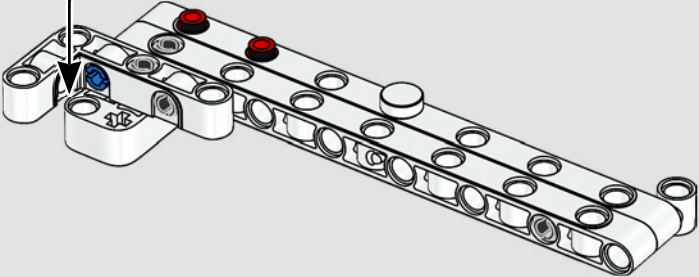
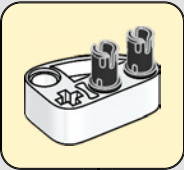
316



317



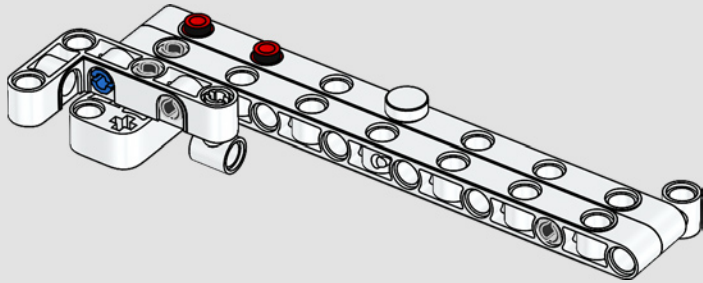
318





1x

319

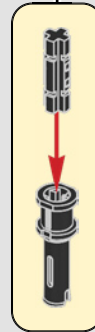
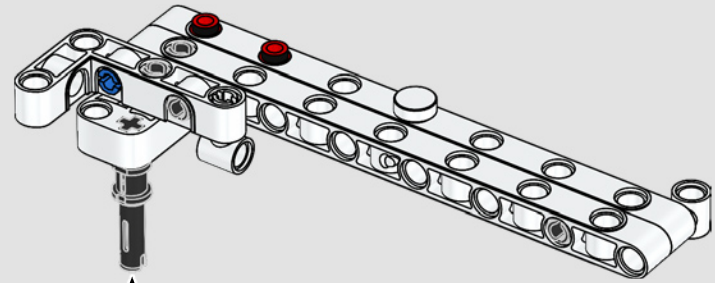


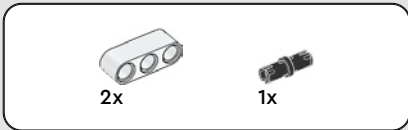
1x



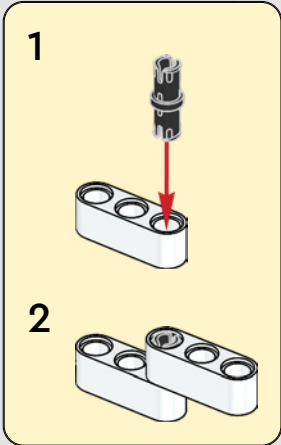
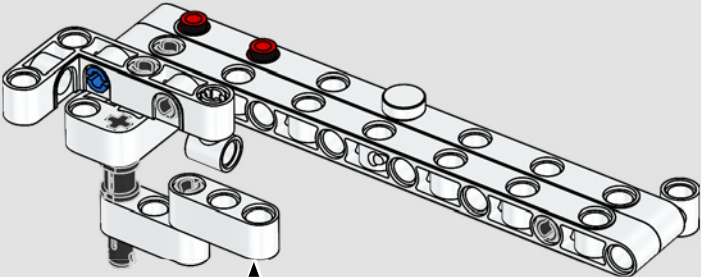
1x

320

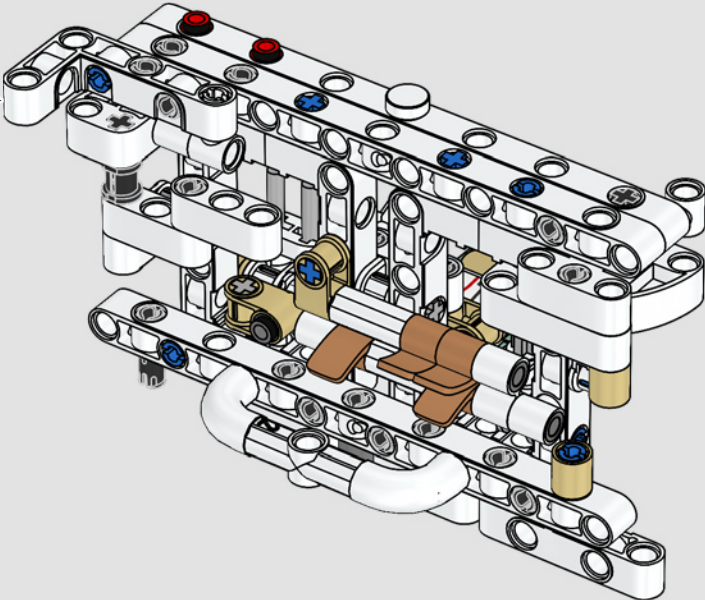


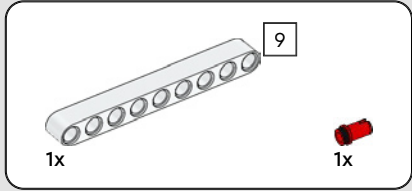
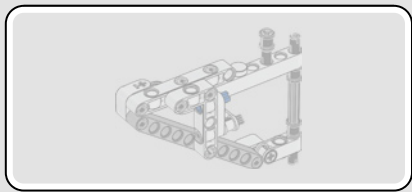


321

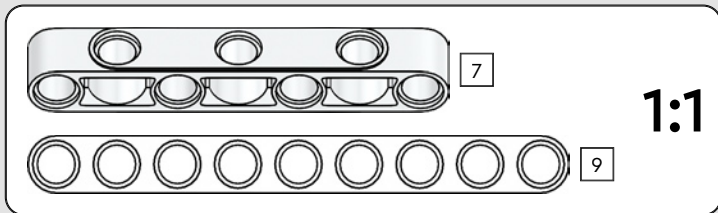
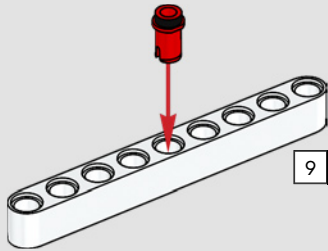


322

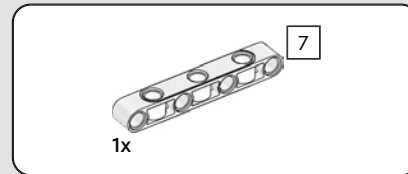
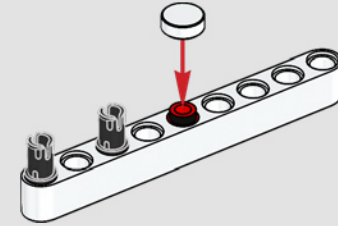




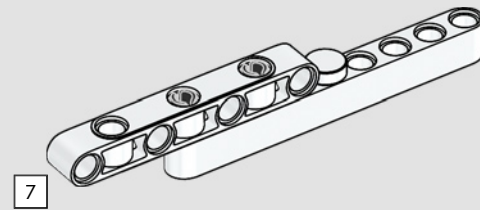
323

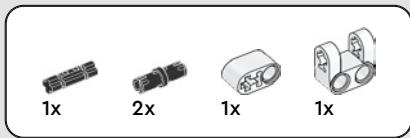


324

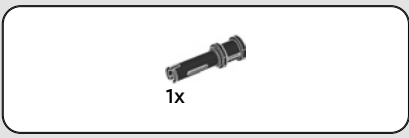
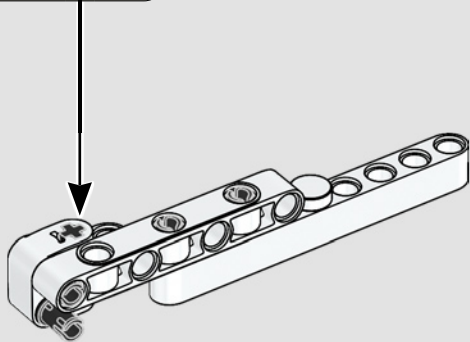
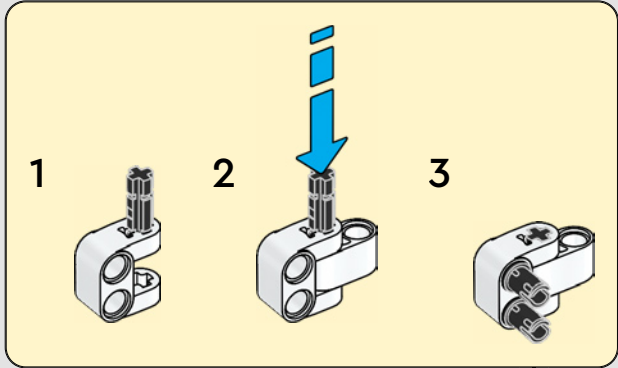


325

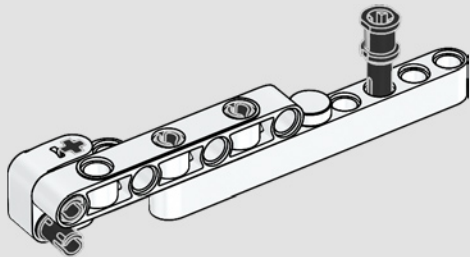


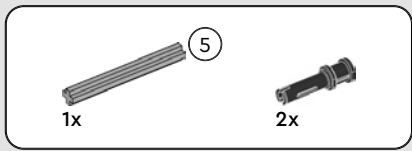


326

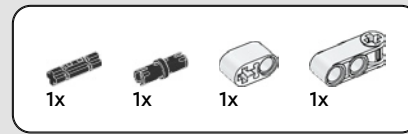
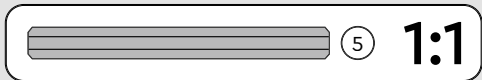
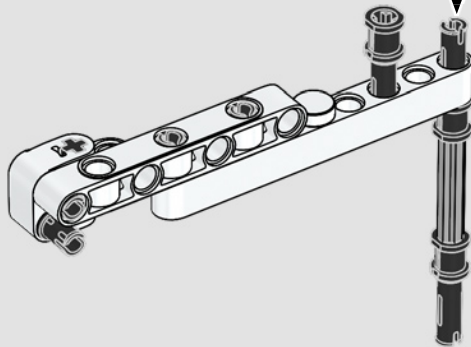
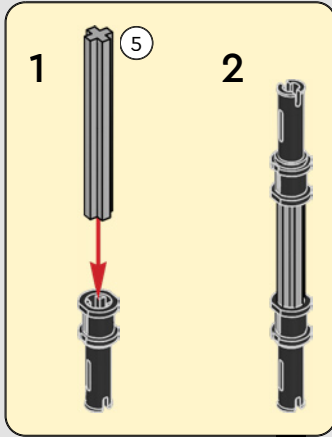


327

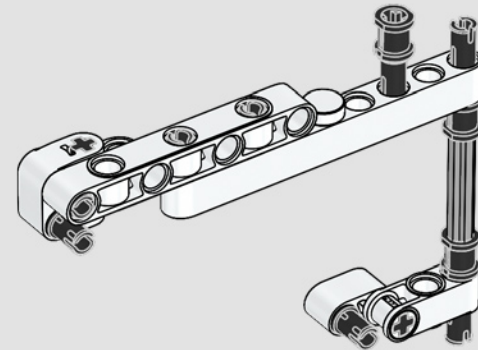
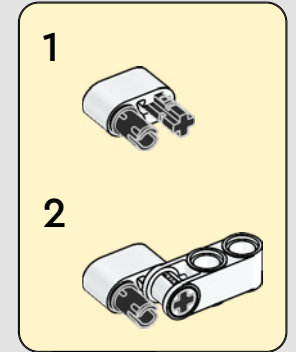


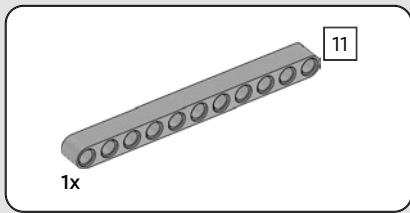


328

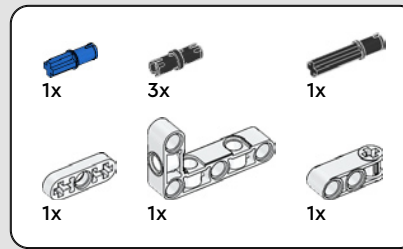
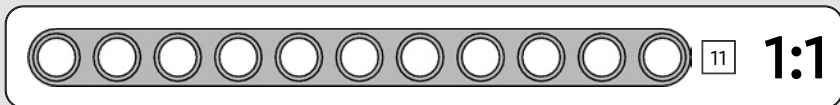
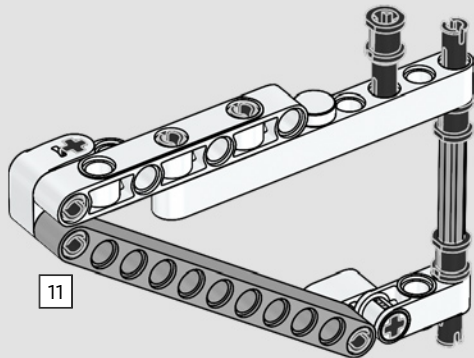


329

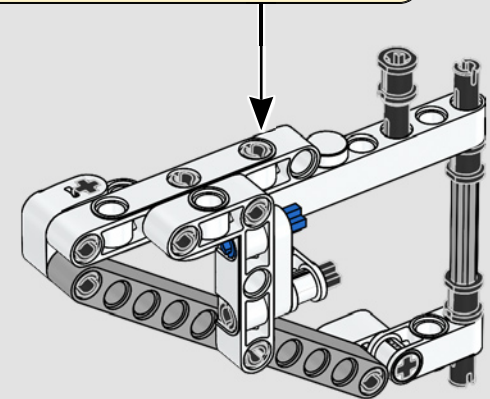
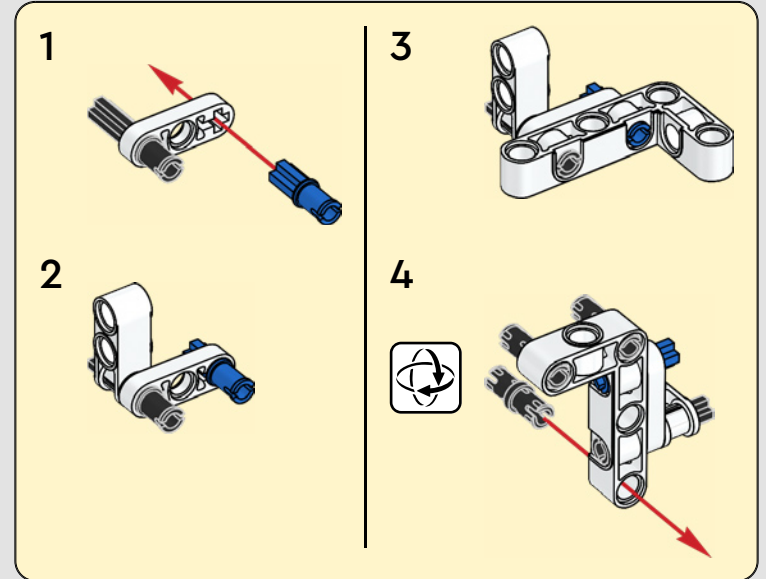




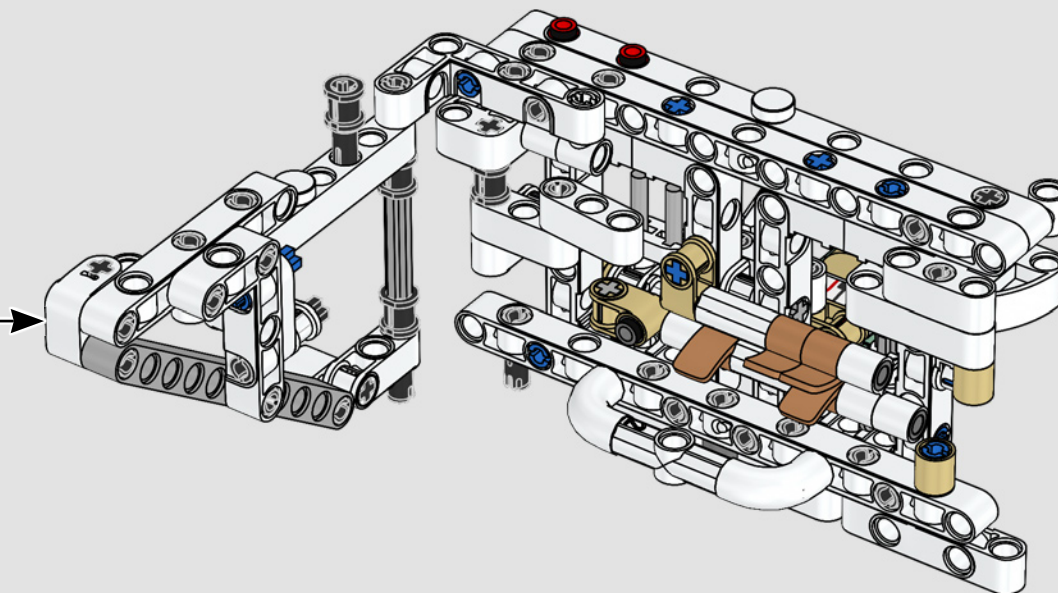
330



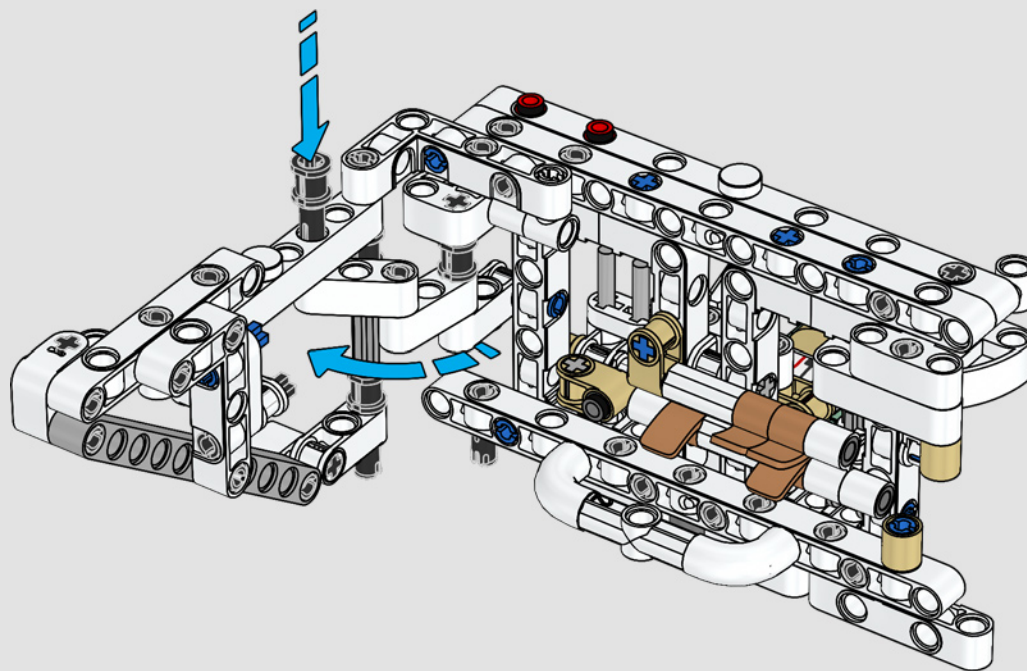
331

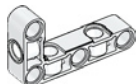


332



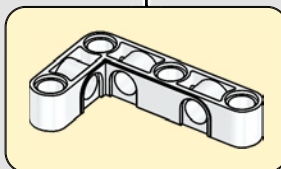
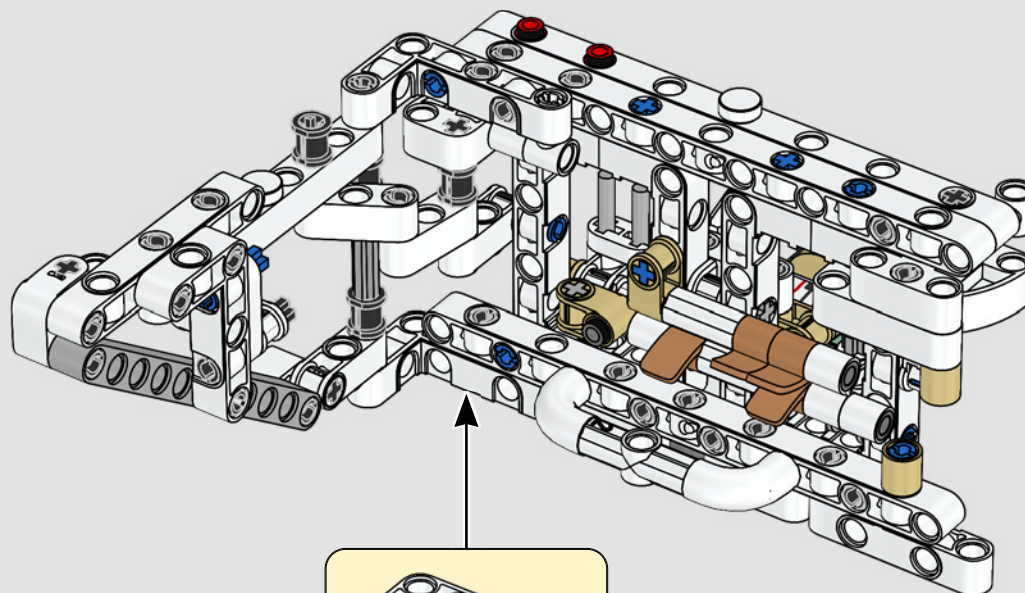
333

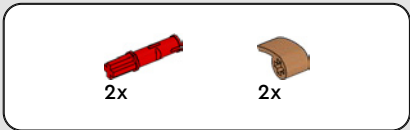




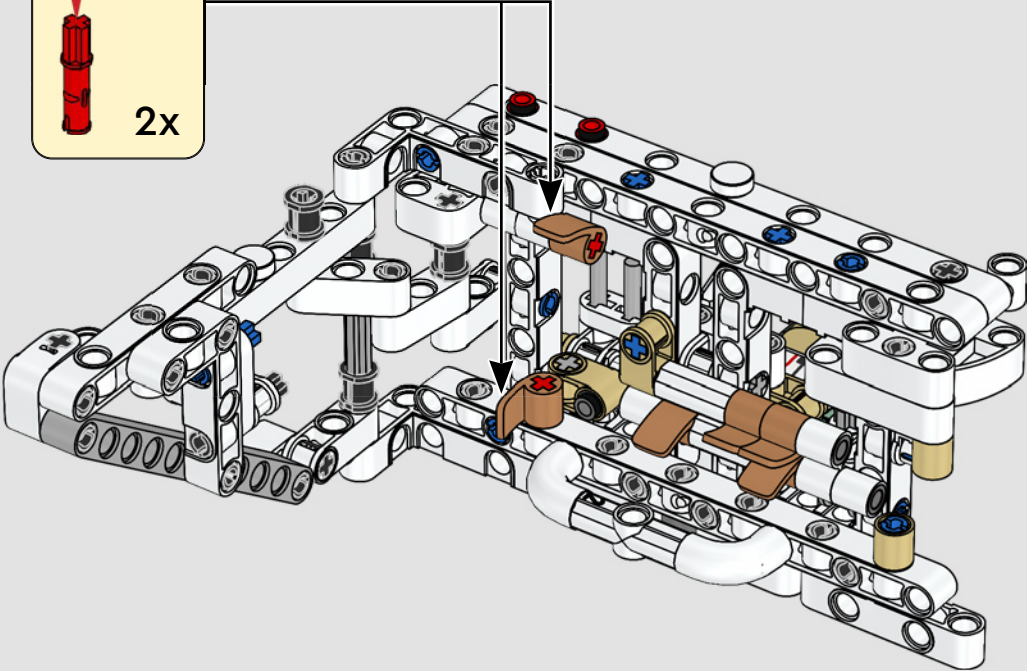
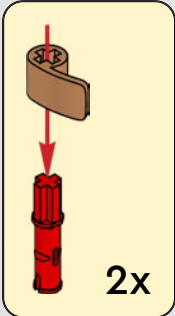
1x

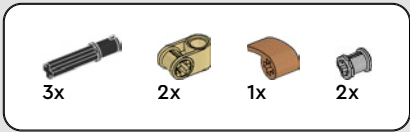
334



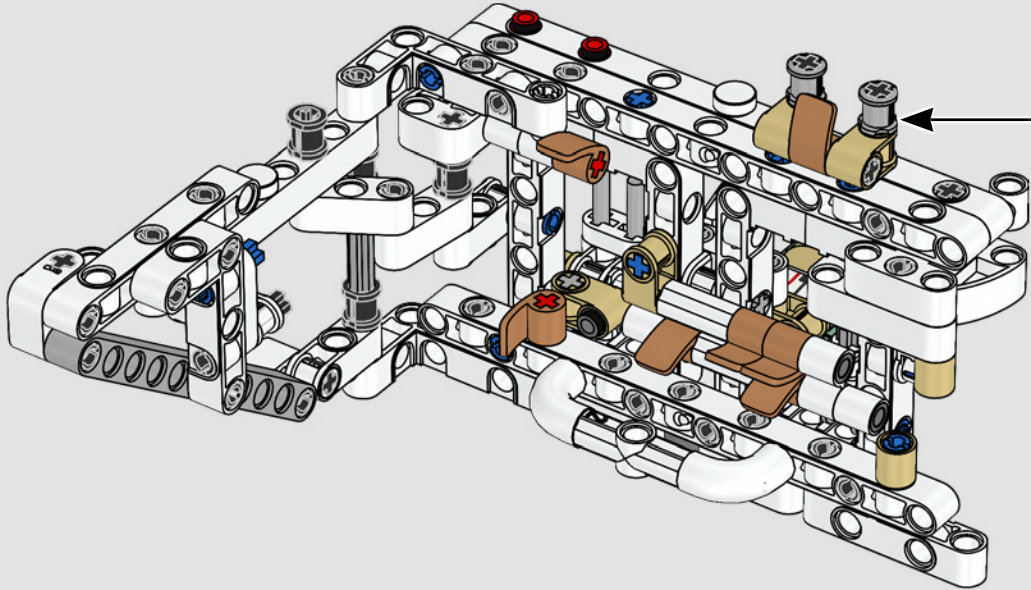
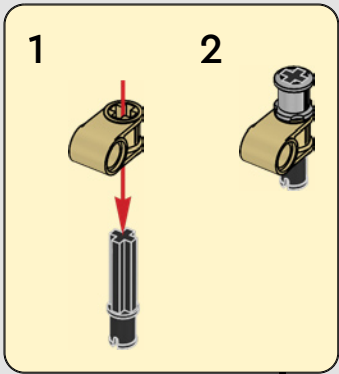


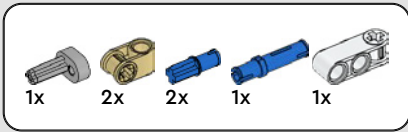
335



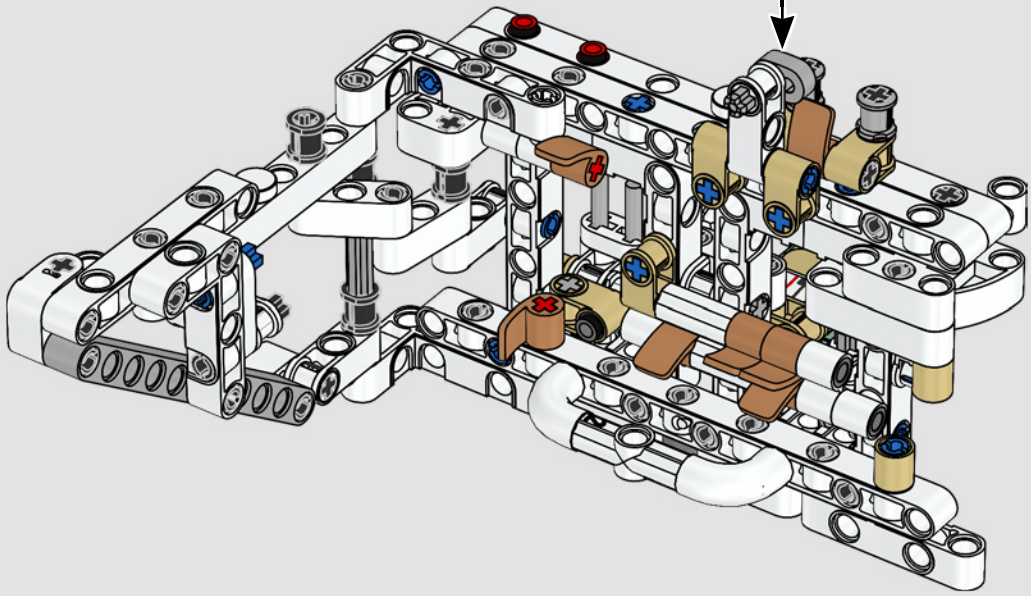
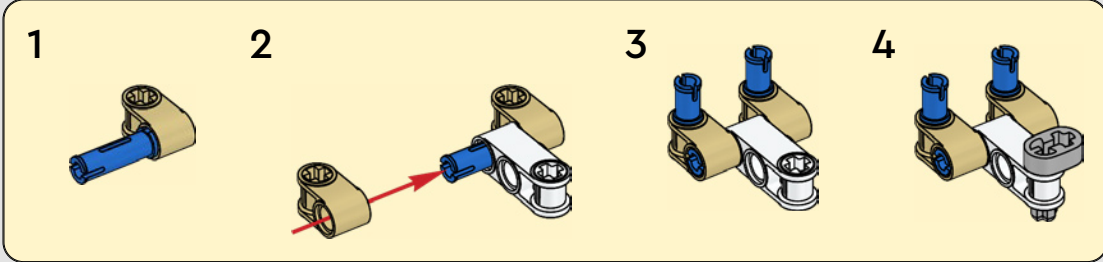


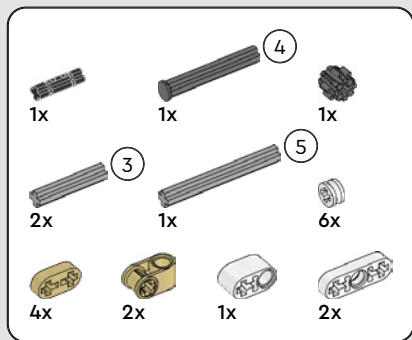
336





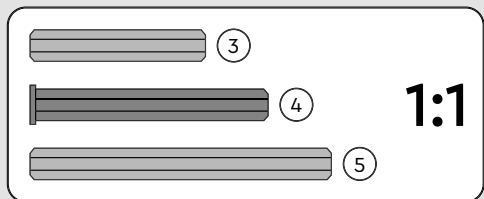
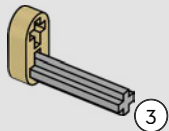
337



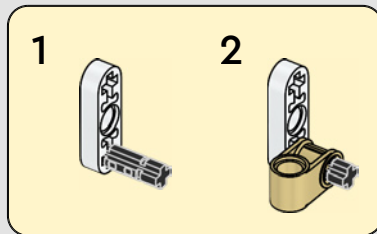
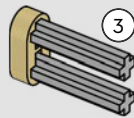


338

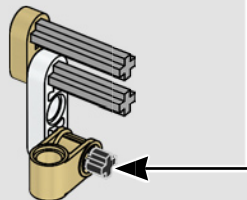
1



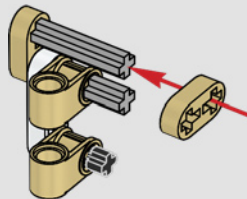
2



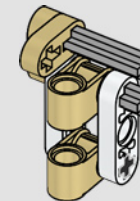
3



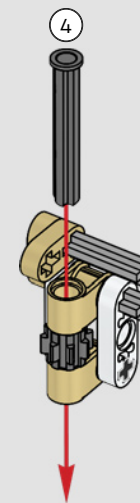
4



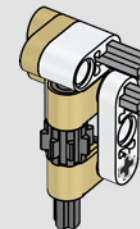
5



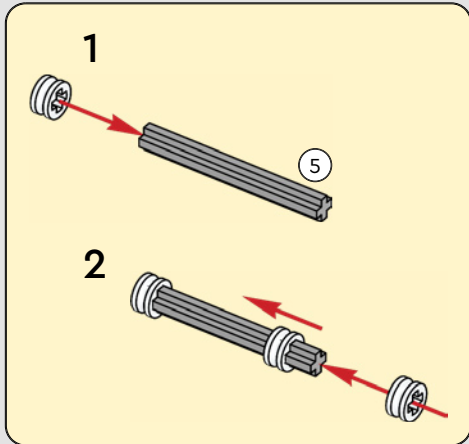
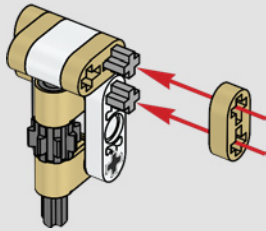
6



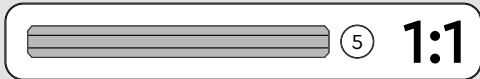
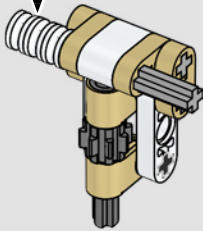
7



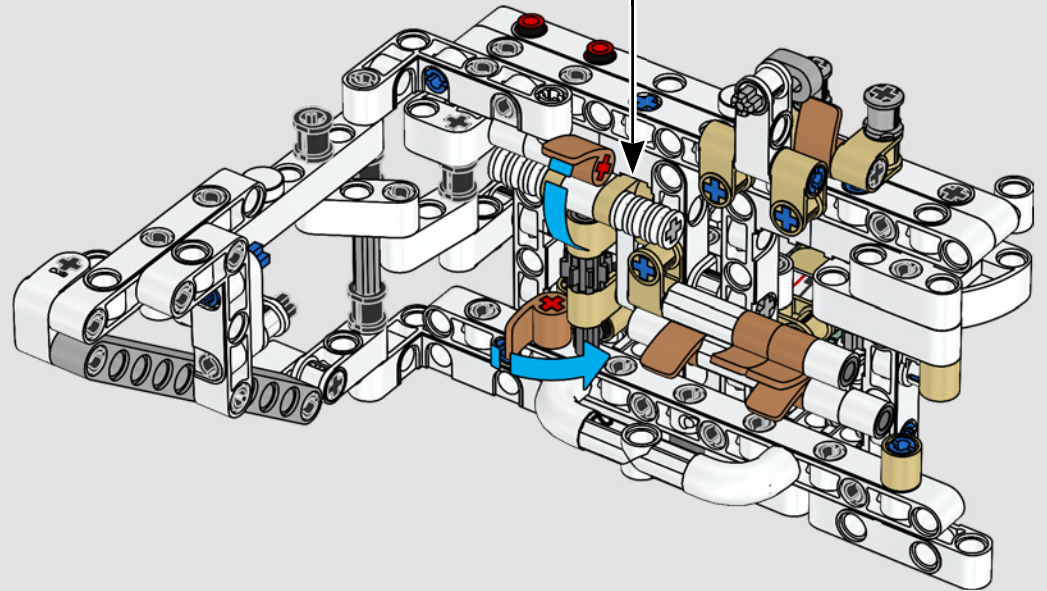
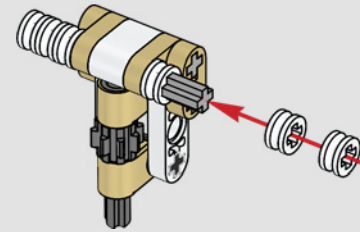
8

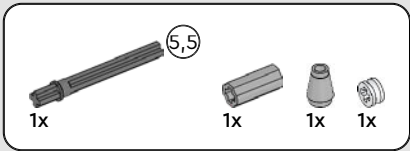


9

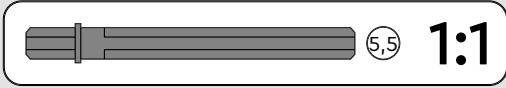
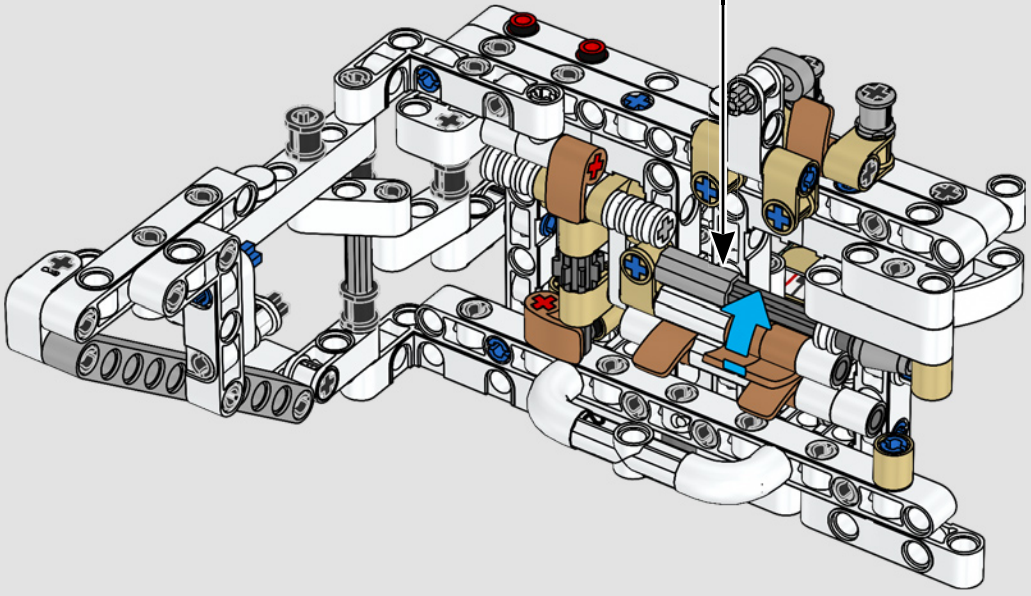
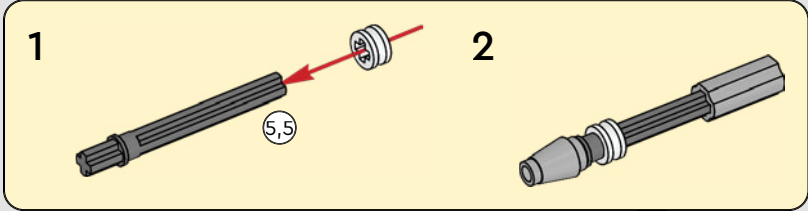


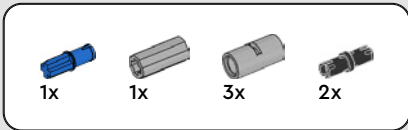
10



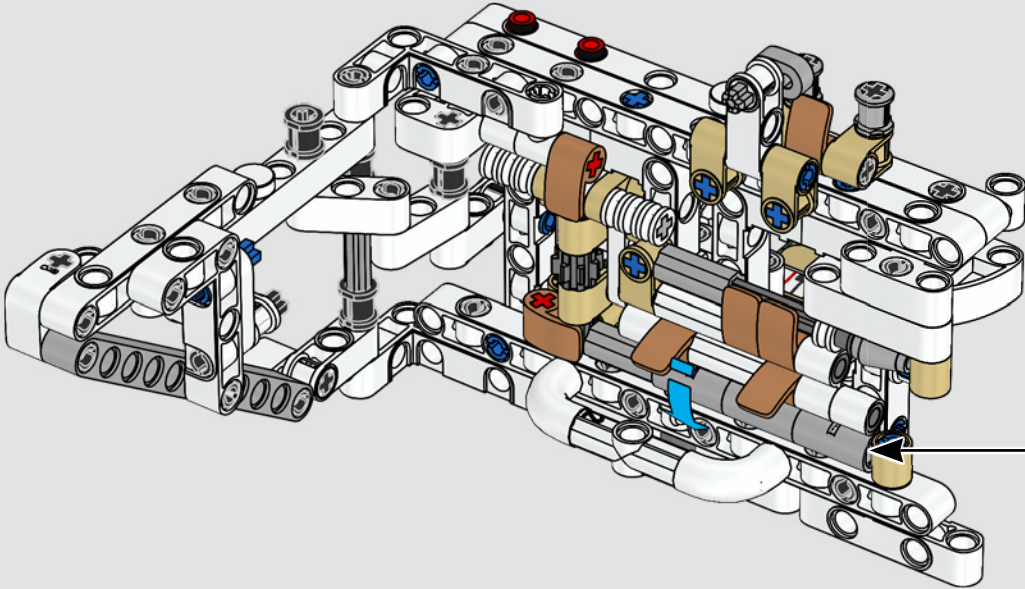
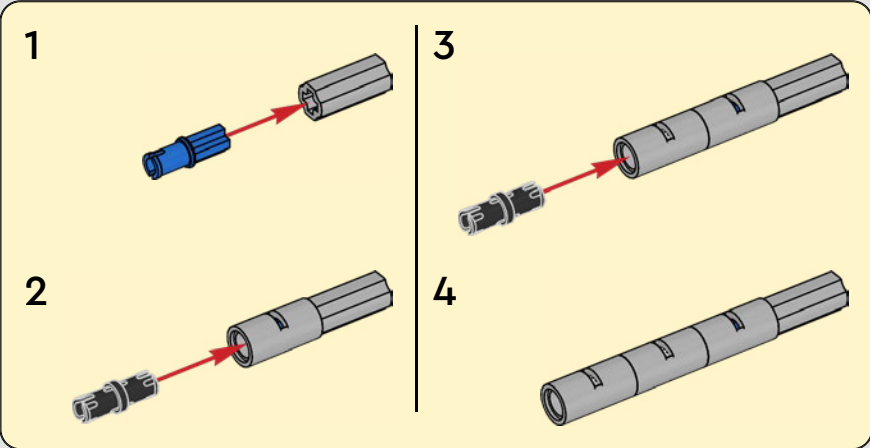


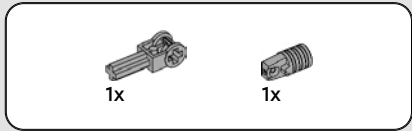
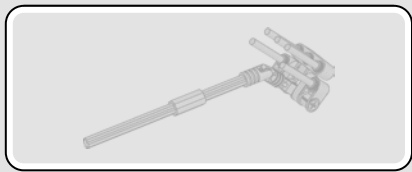
339



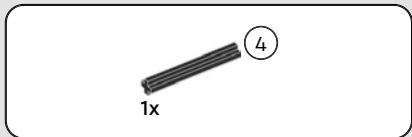
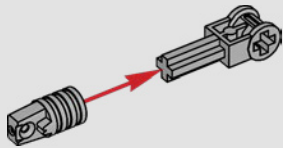


340

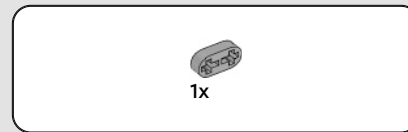
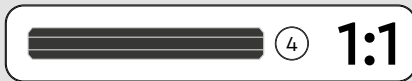
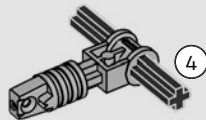




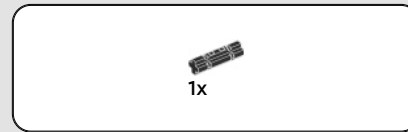
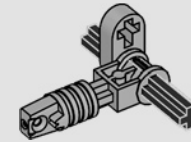
341



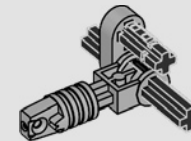
342

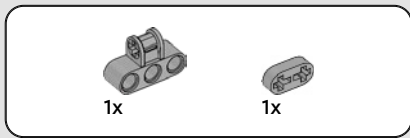


343

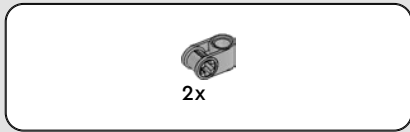
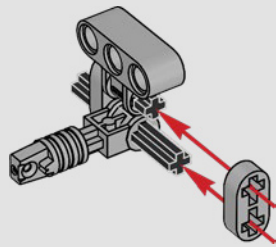


344

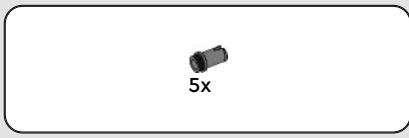
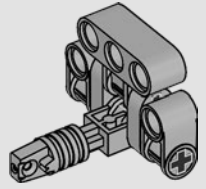




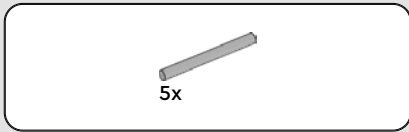
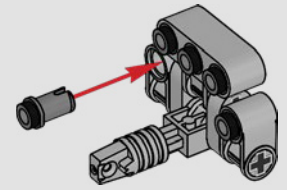
345



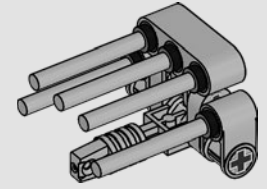
346

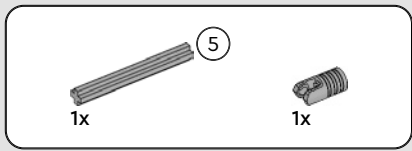


347

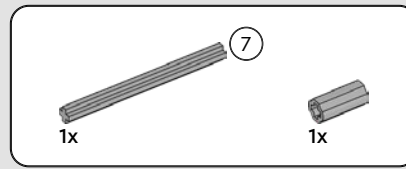
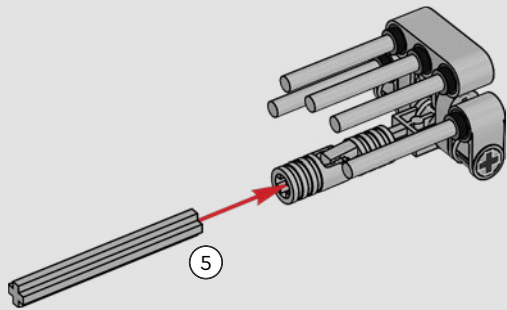


348

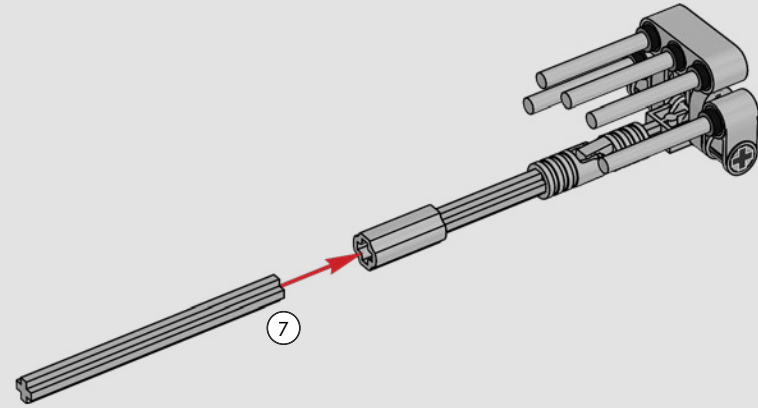




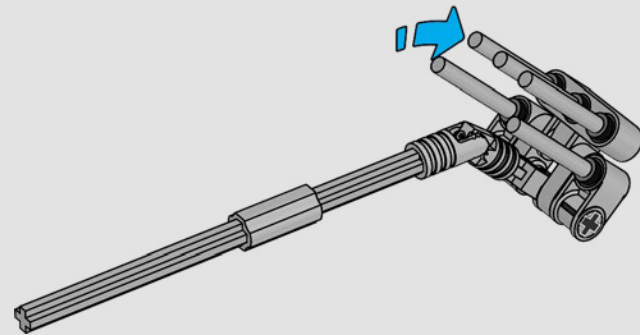
349



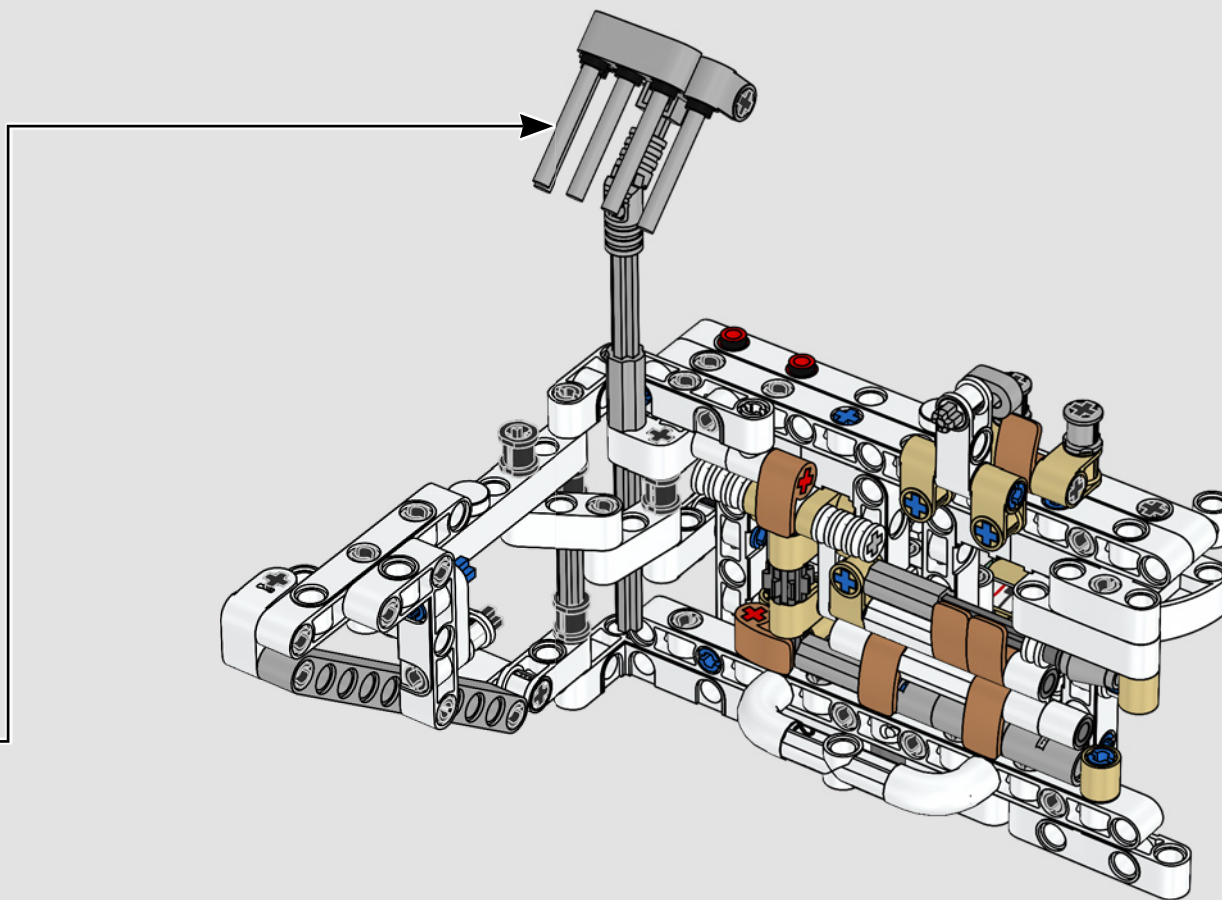
350

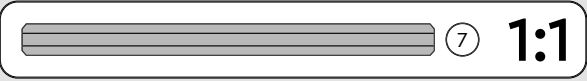
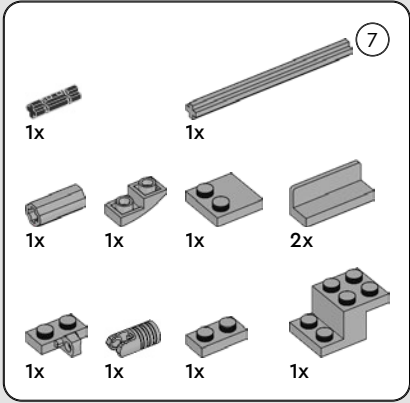
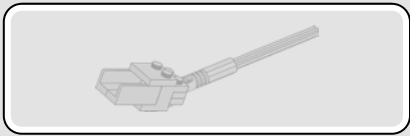


351

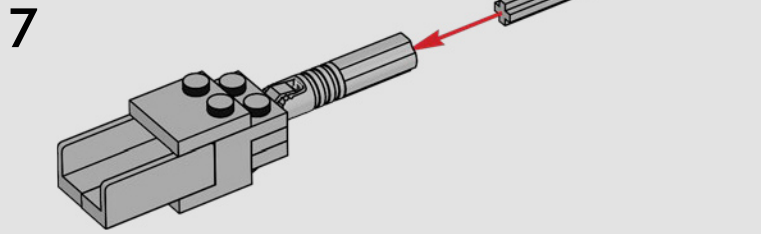
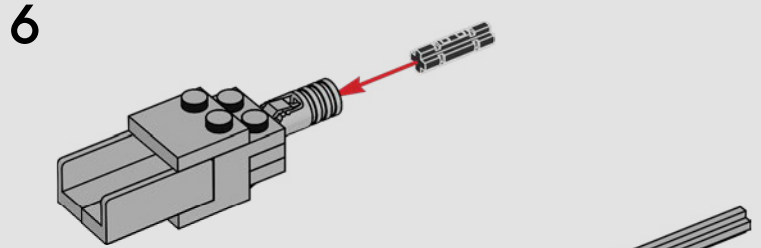
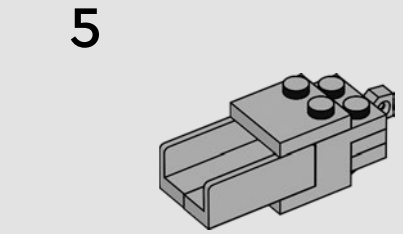
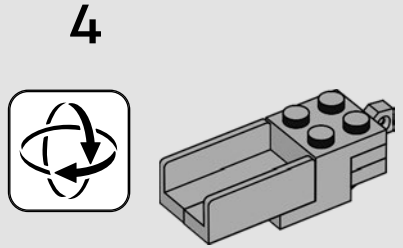
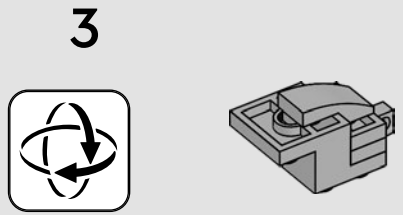
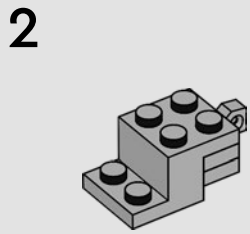
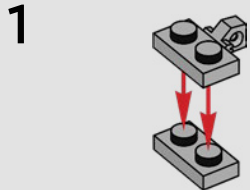


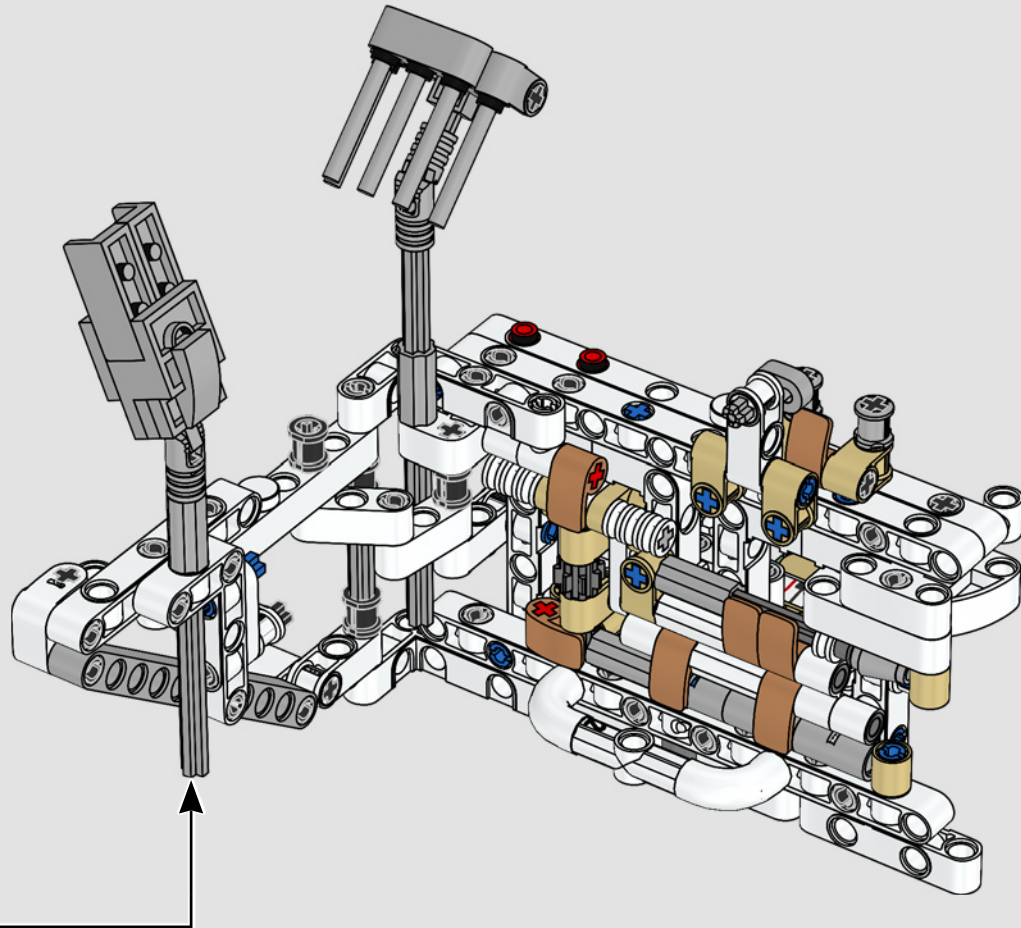
352

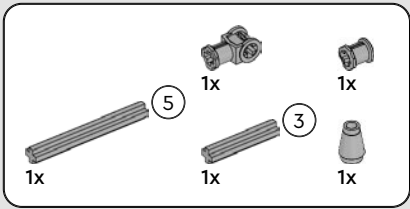




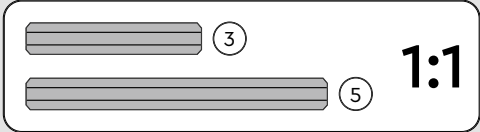
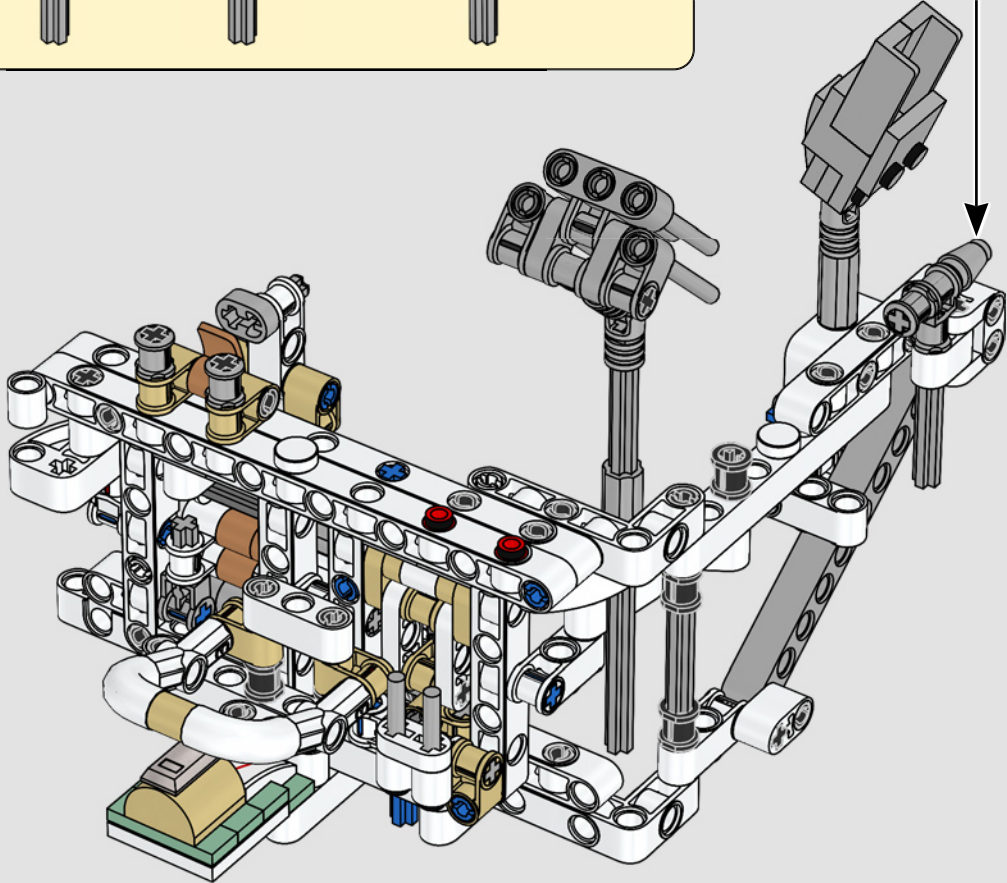
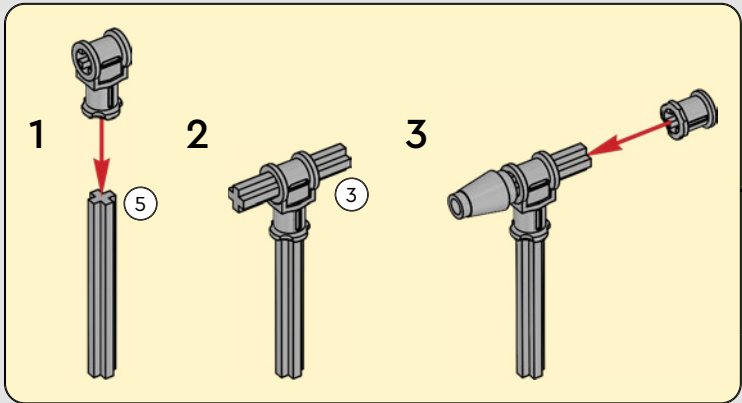
353

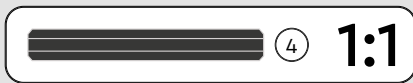
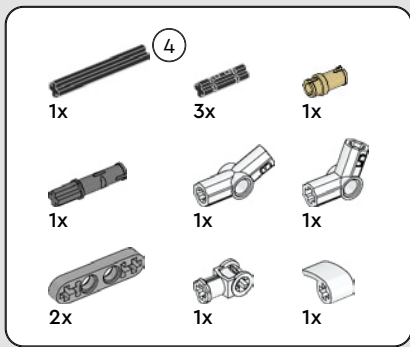




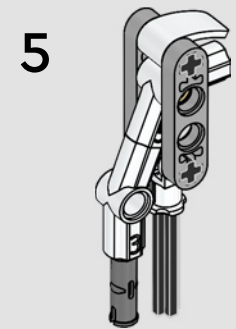
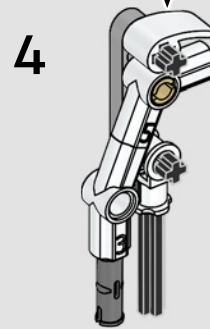
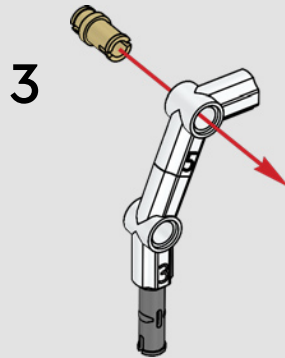
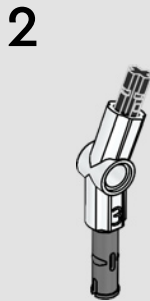
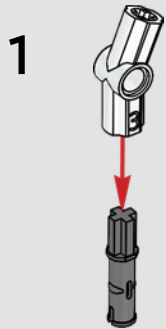
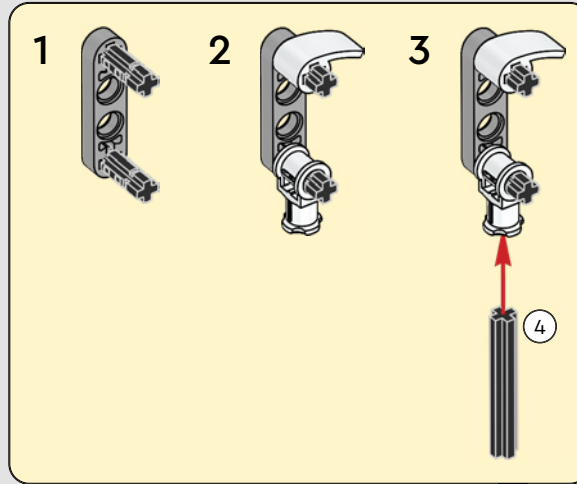


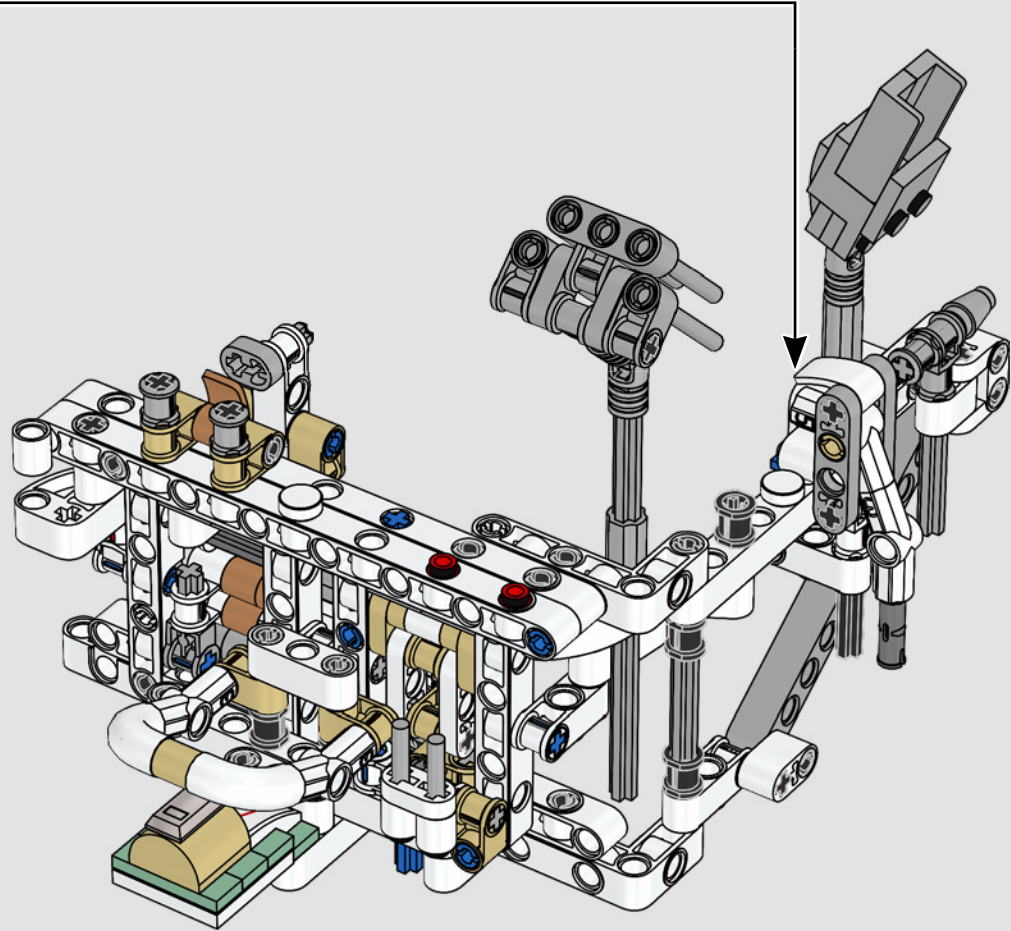
354

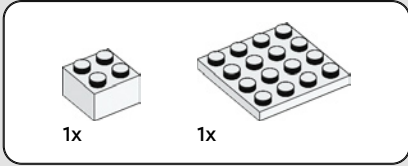




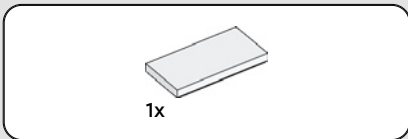
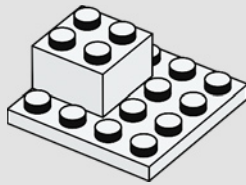
355



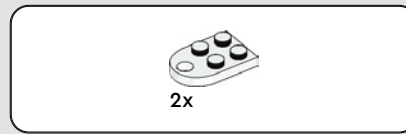
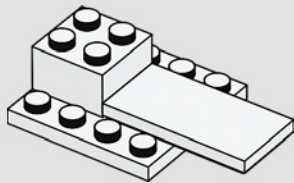




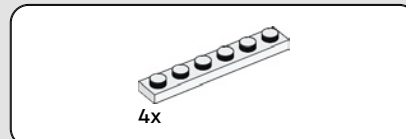
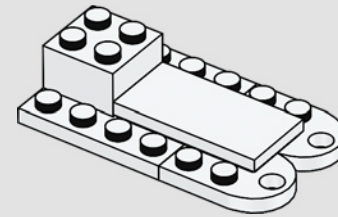
356



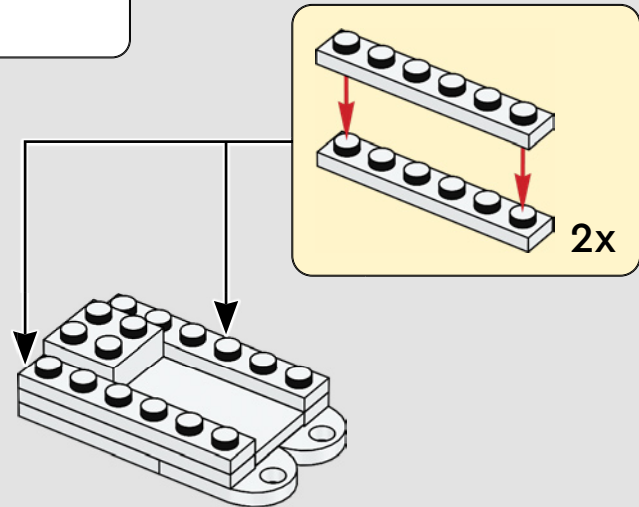
357



358



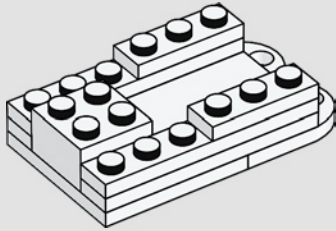
359





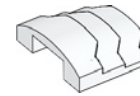
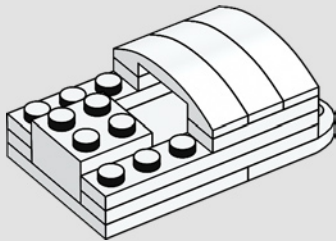
2x

360



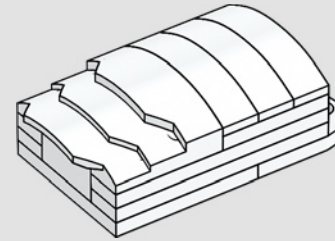
3x

361



1x

362

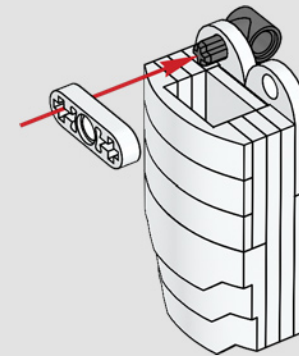
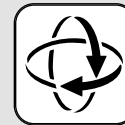


1x



1x

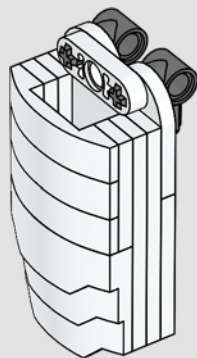
363





1x

364



2x



2x

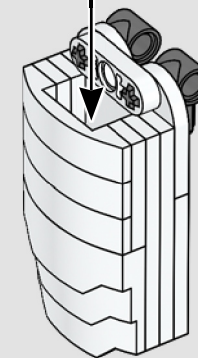
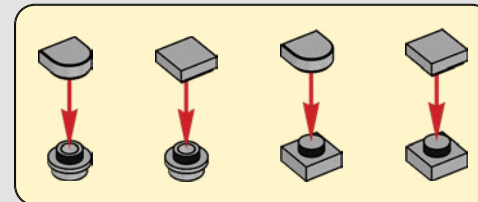


2x



2x

365





2x



2x

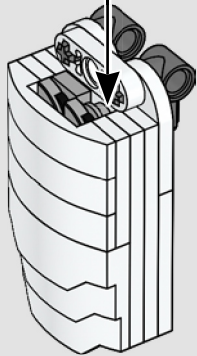
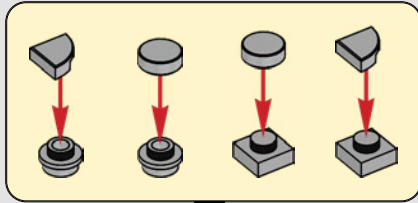


2x

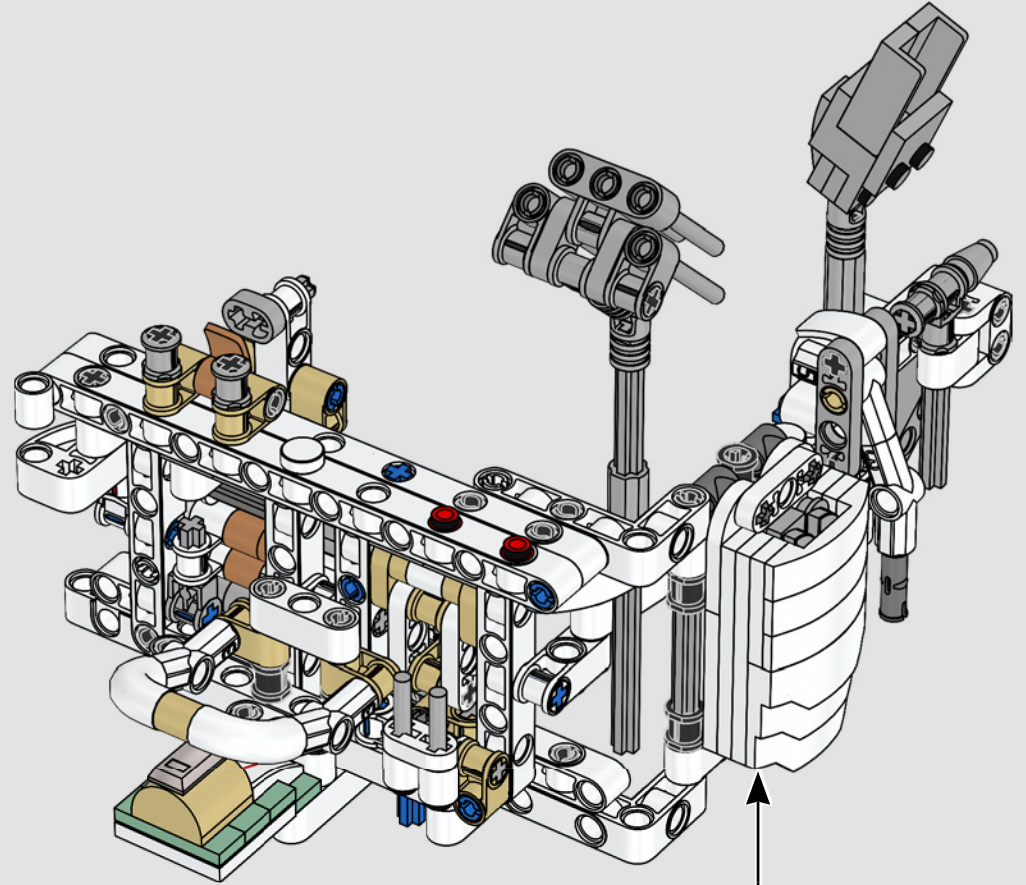


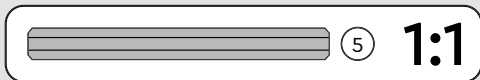
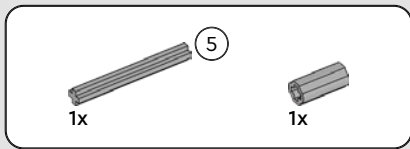
2x

366

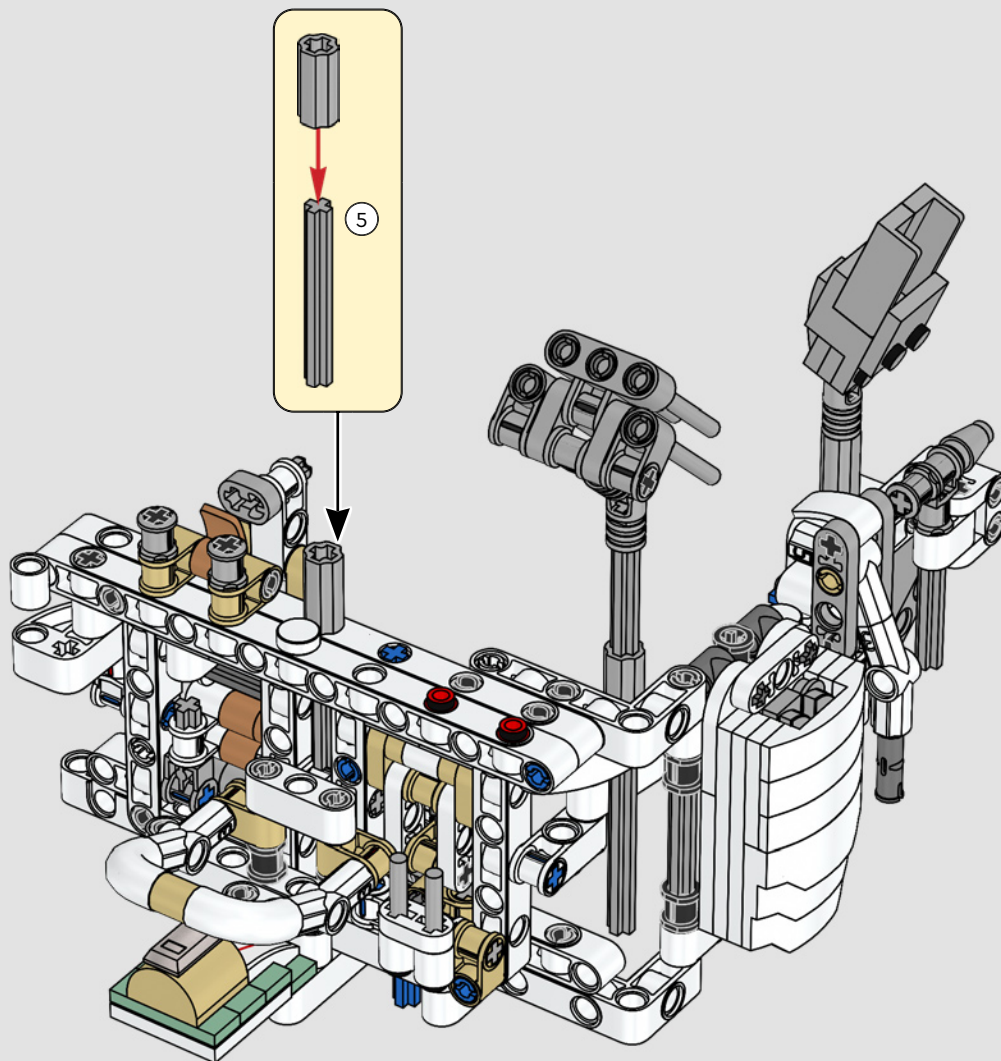


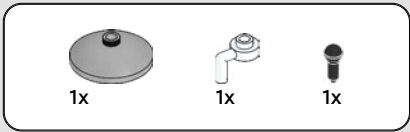
367



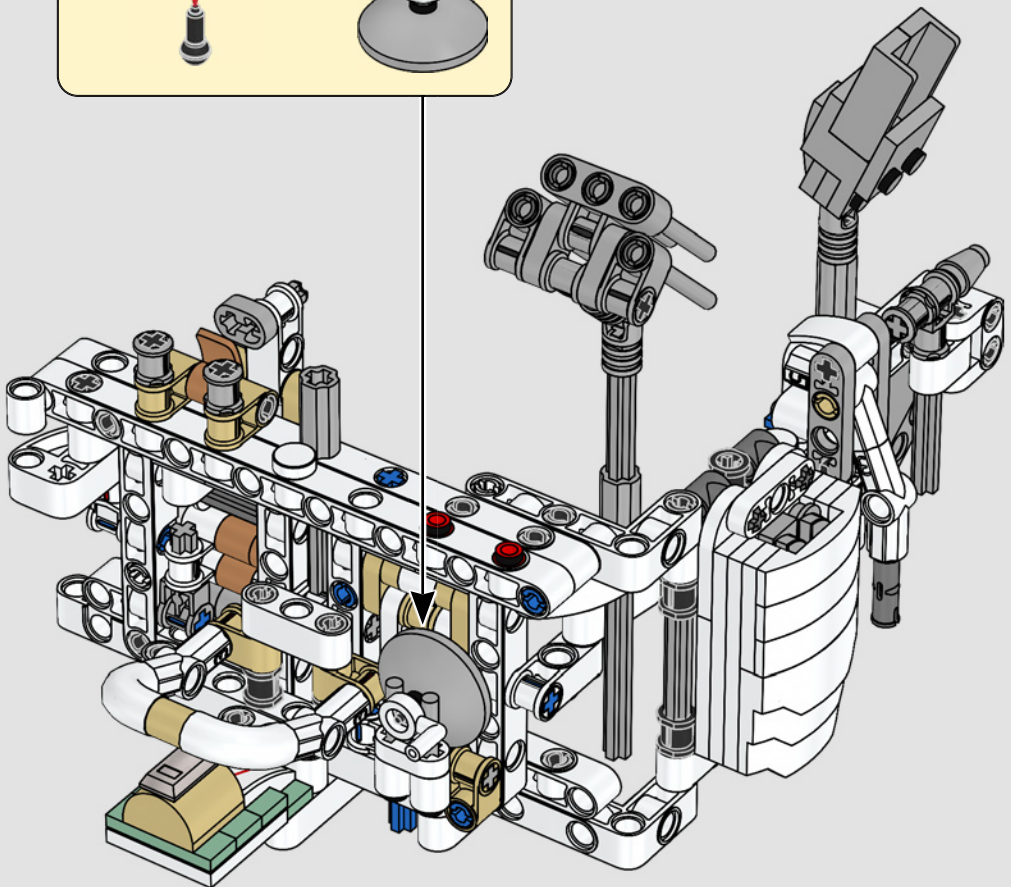
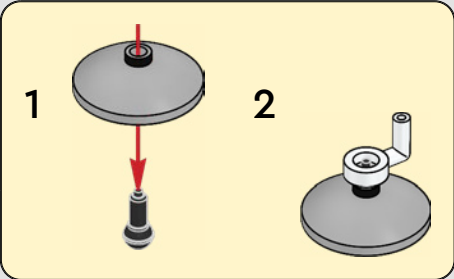


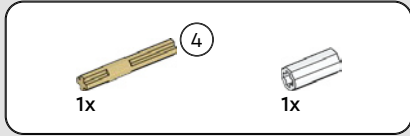
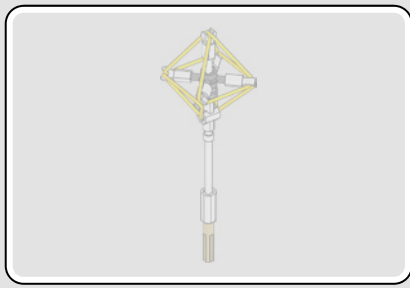
368



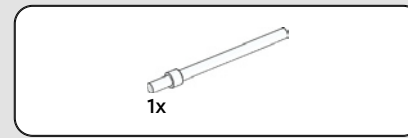
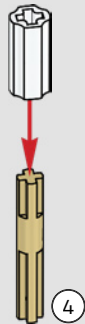
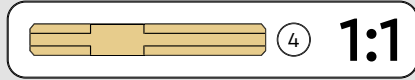


369

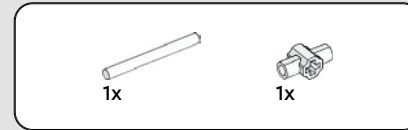




370



371



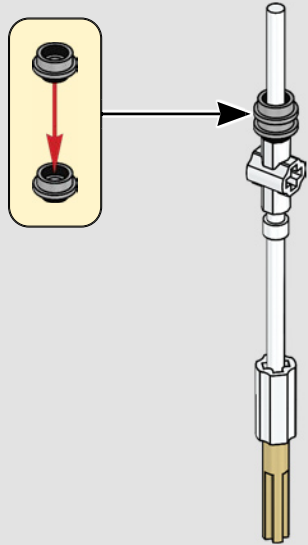
372





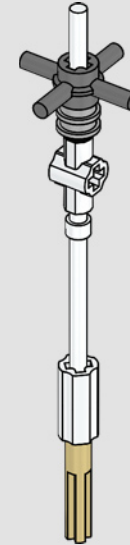
2x

373



1x

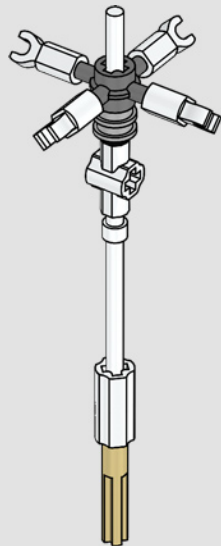
374





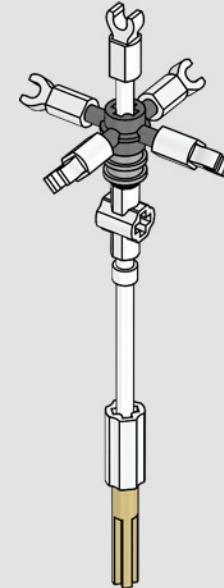
4x

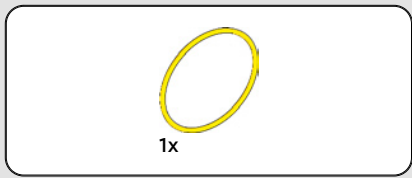
375



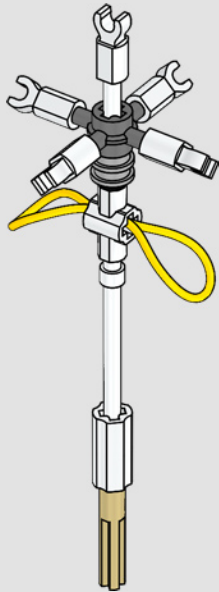
1x

376

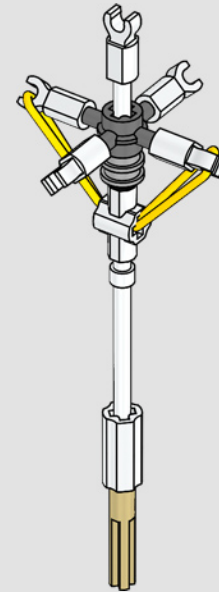




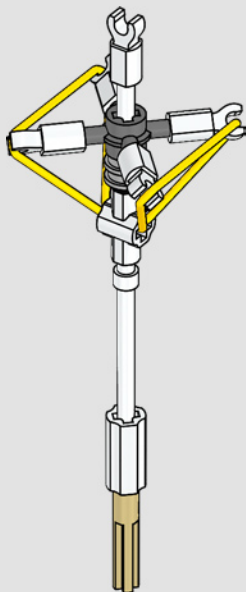
377



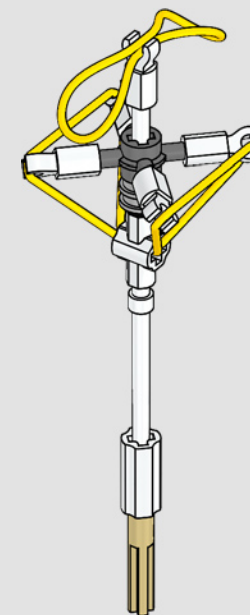
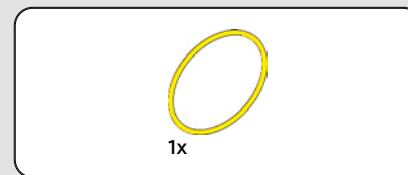
378



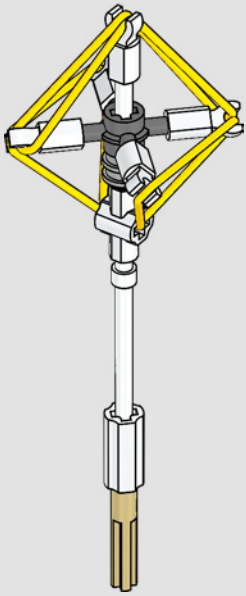
379



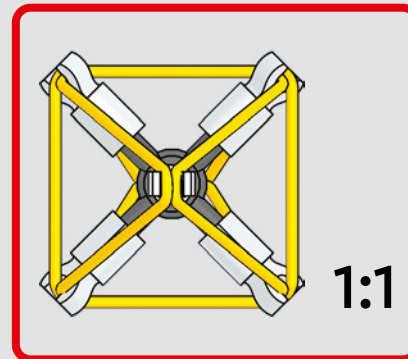
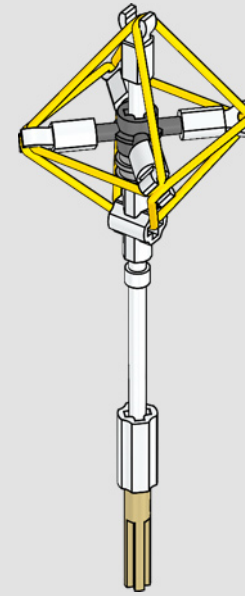
380



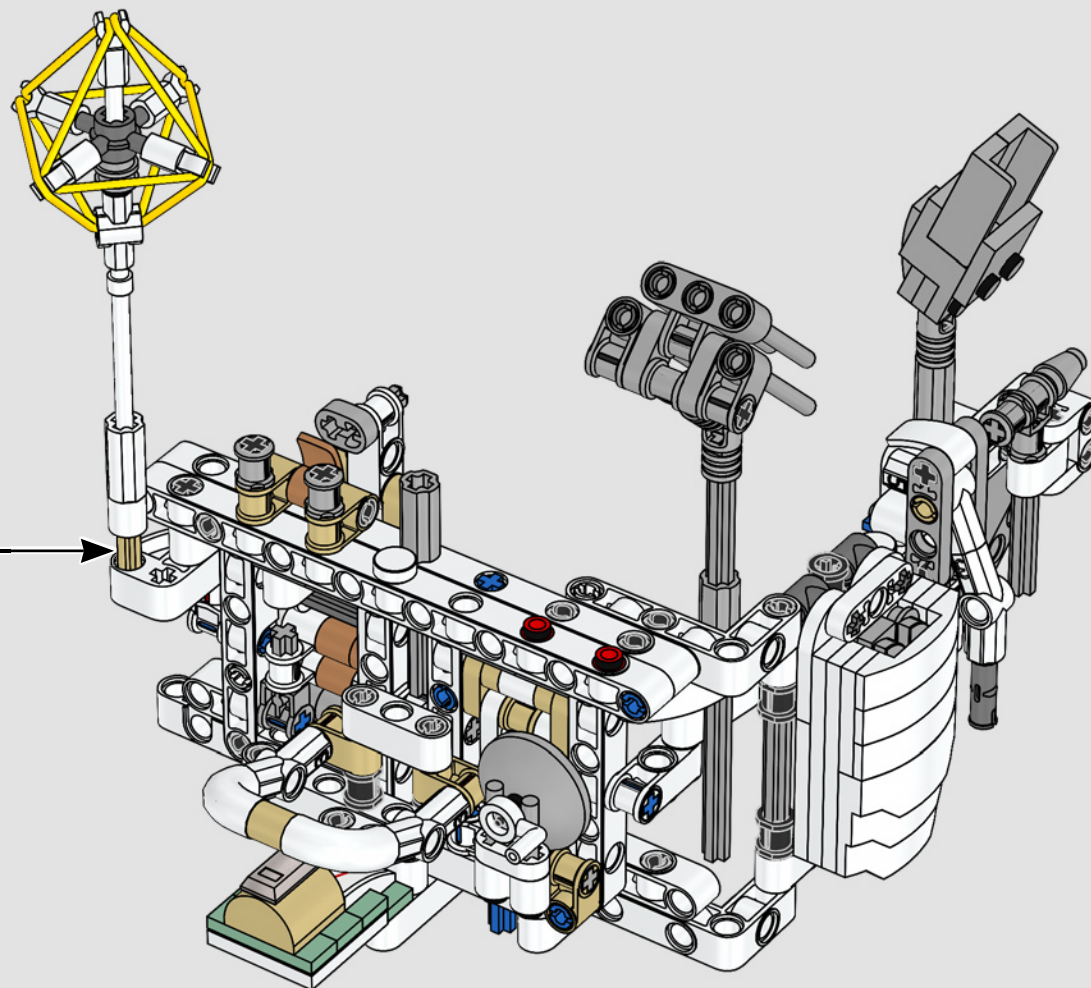
381

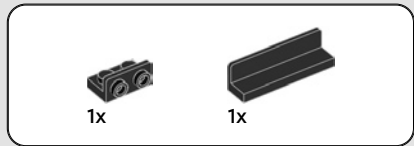
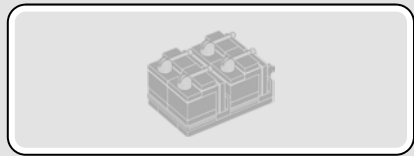


382

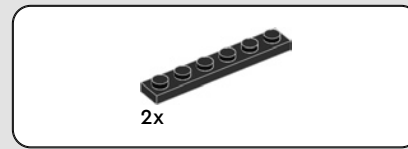
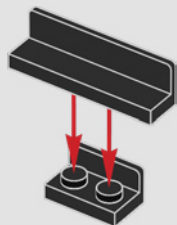


383

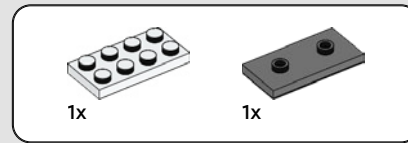
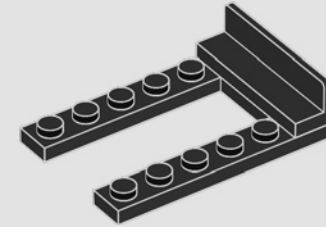




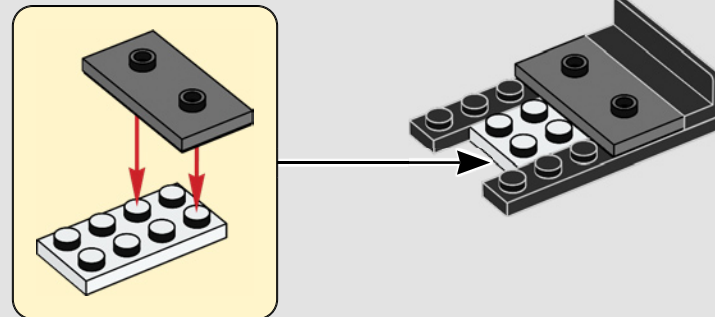
384

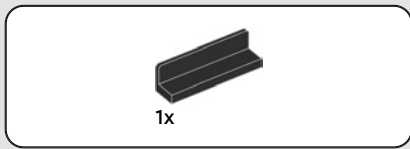


385

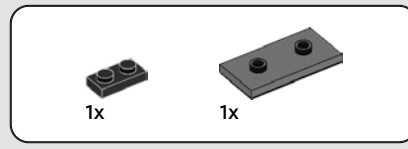
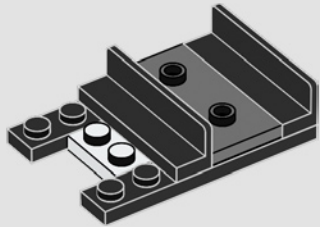


386

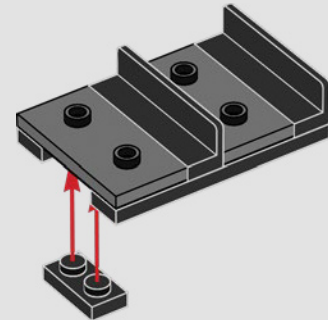


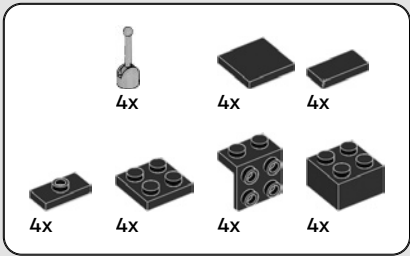


387

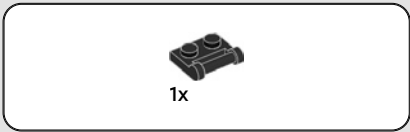
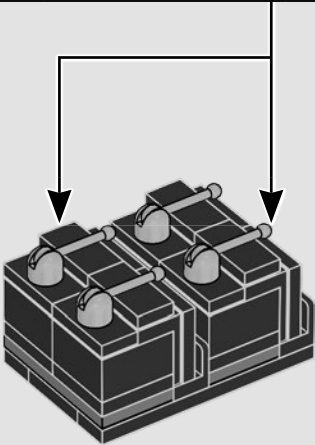
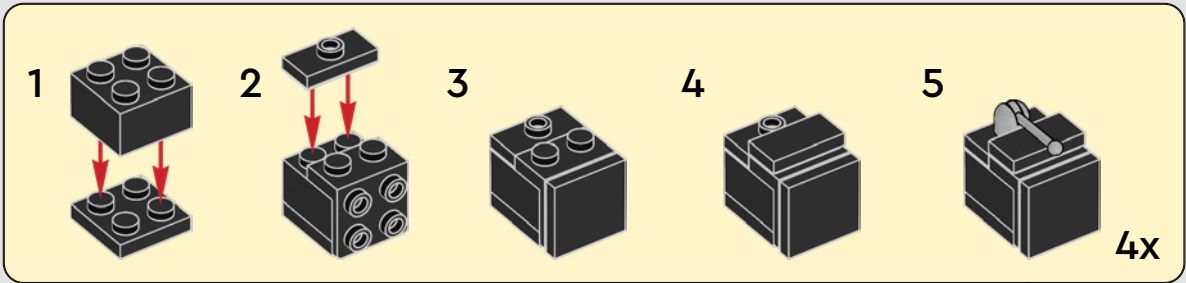


388

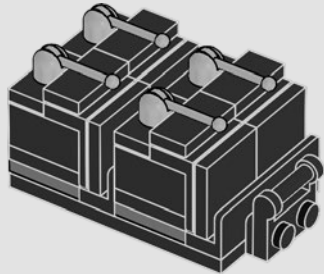




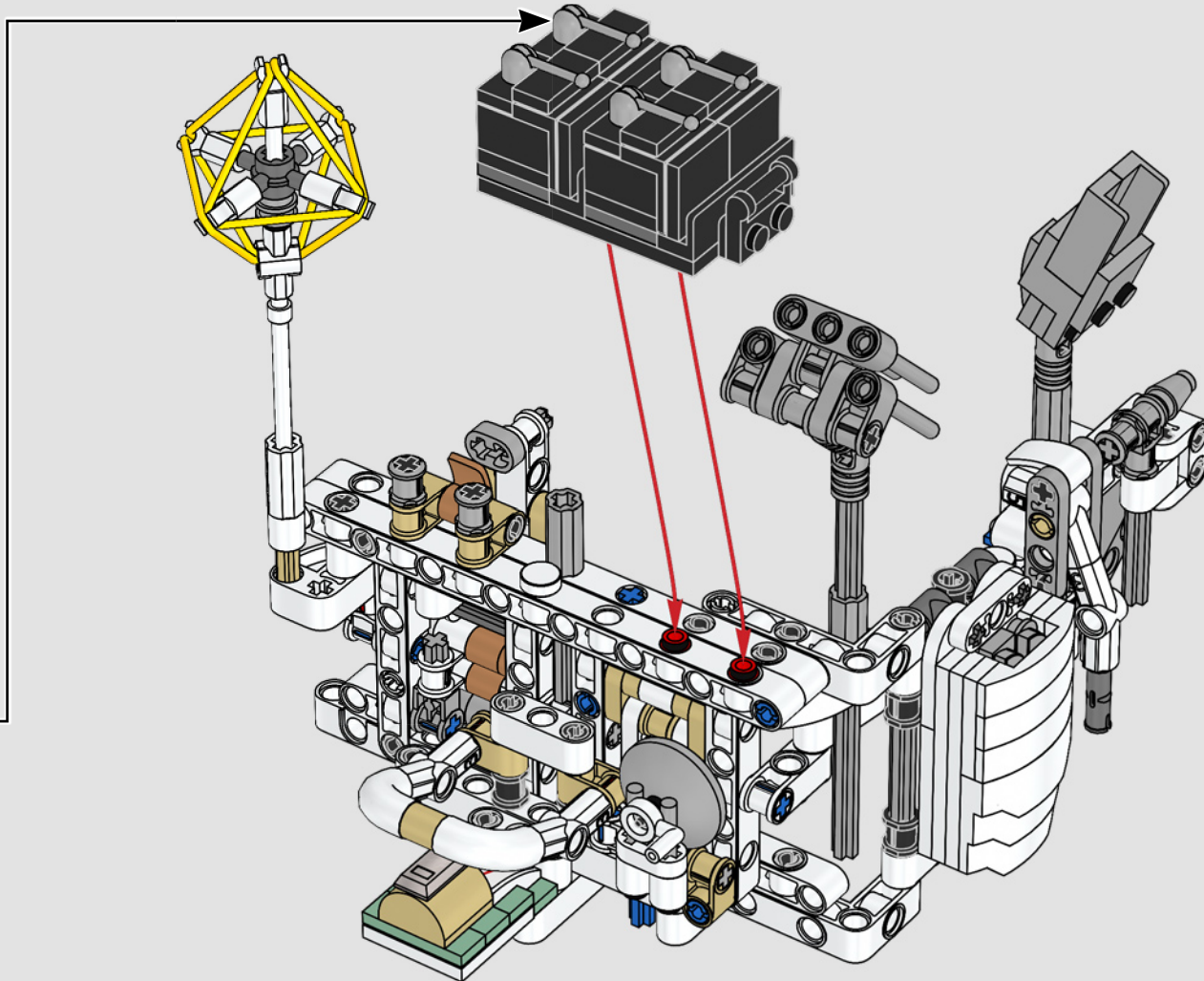
389

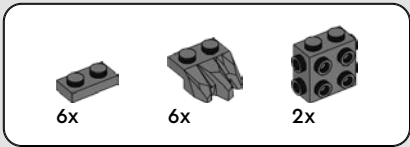


390

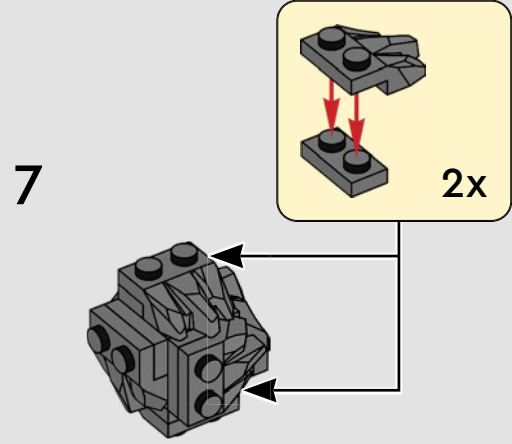
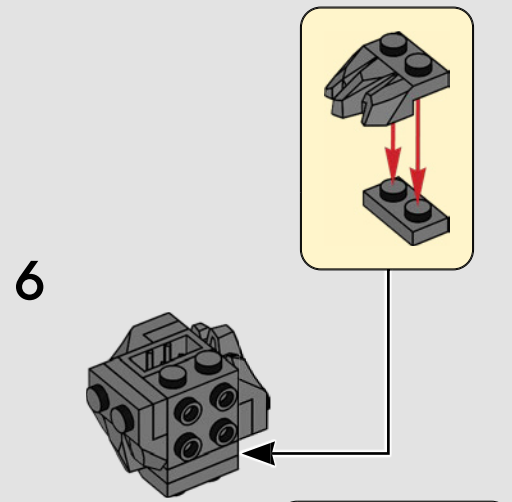
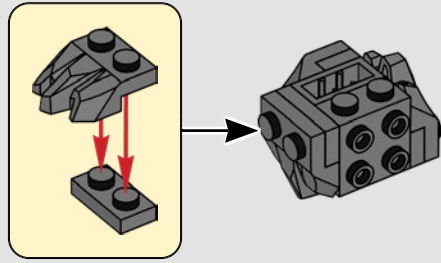
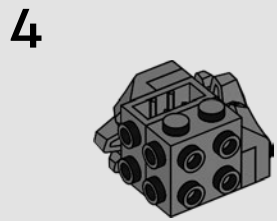
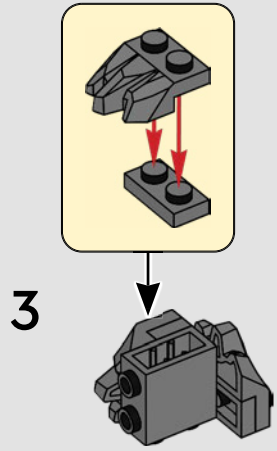
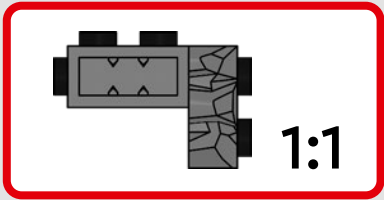
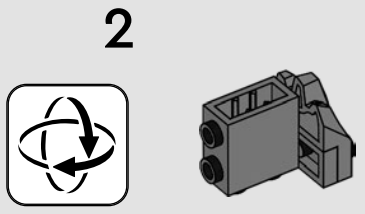
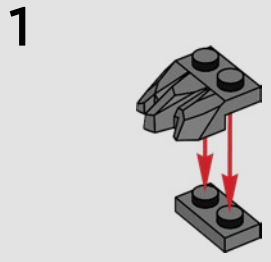


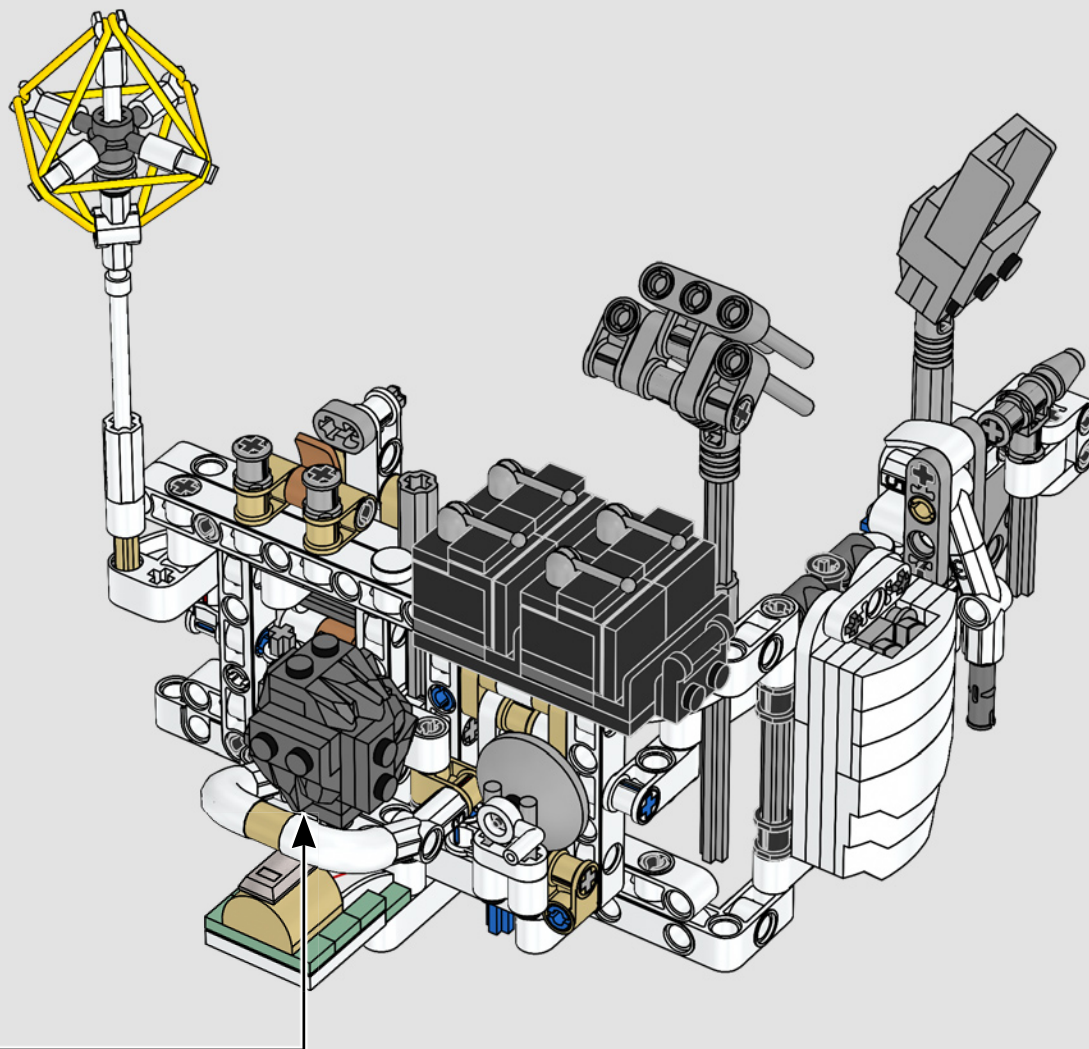
391

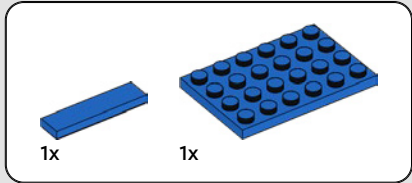




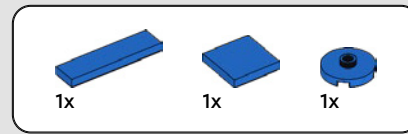
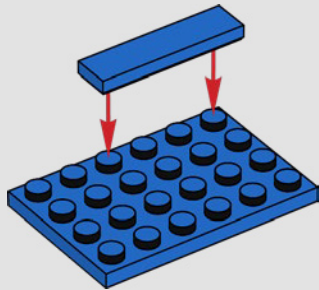
392



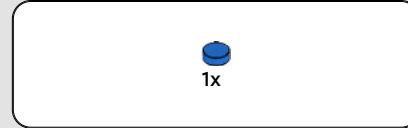
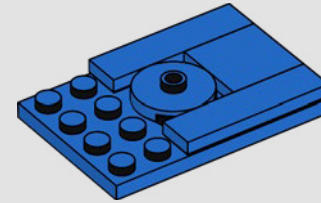




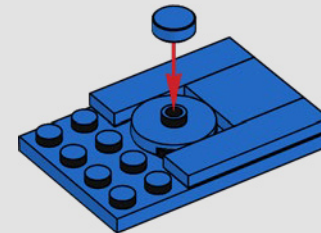
393

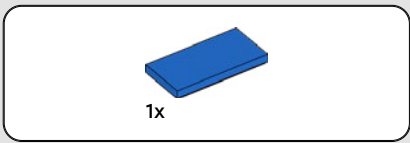


394

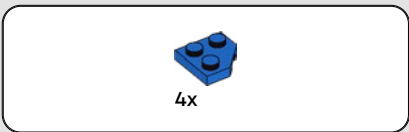
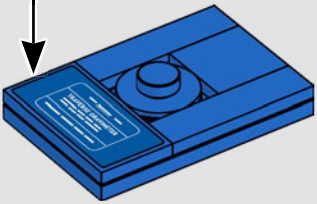
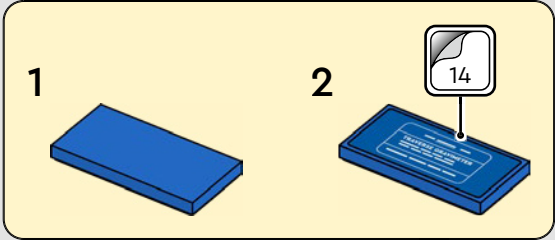


395

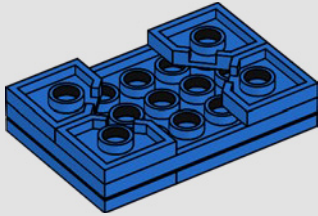


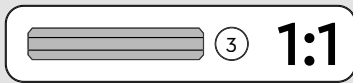
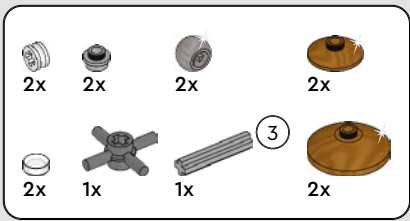


396

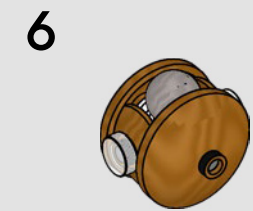
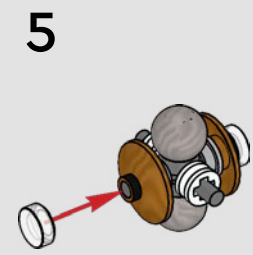
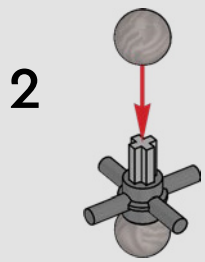
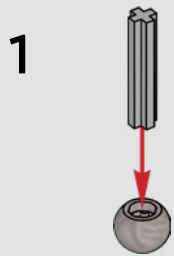


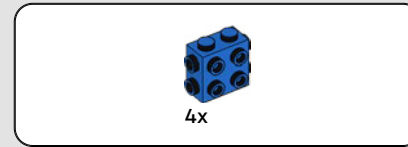
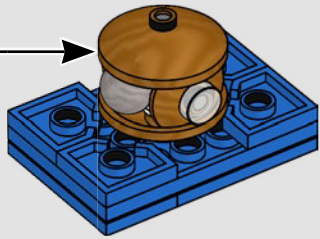
397



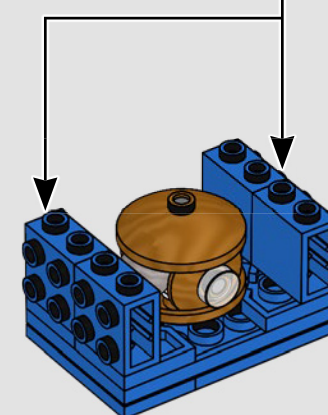
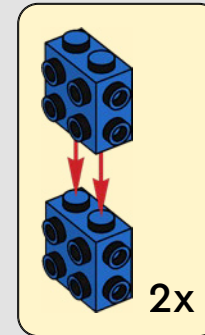


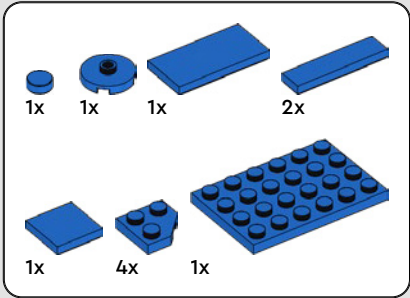
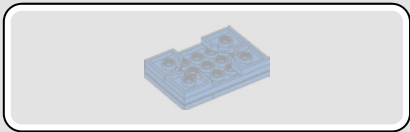
398





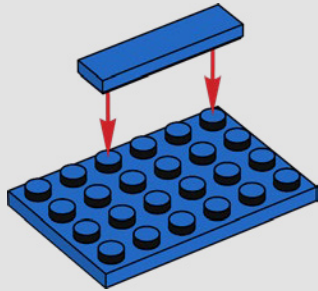
399



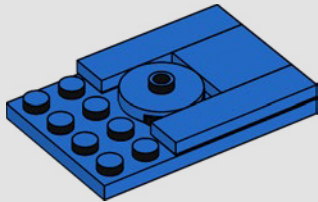


400

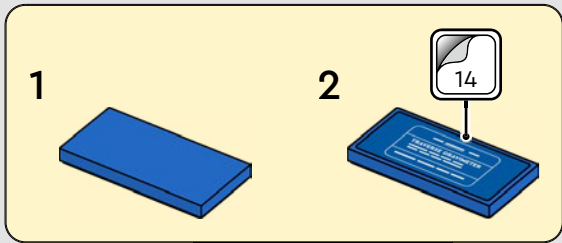
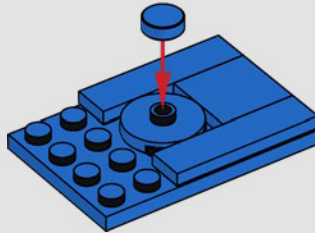
1



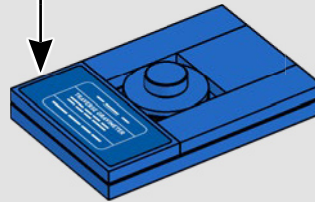
2



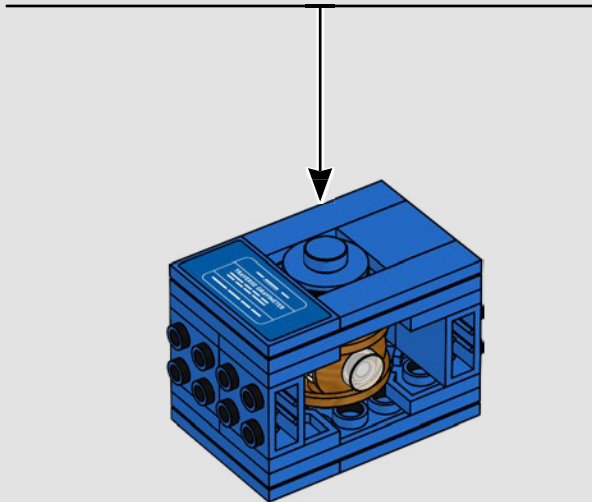
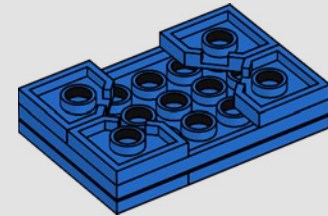
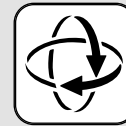
3

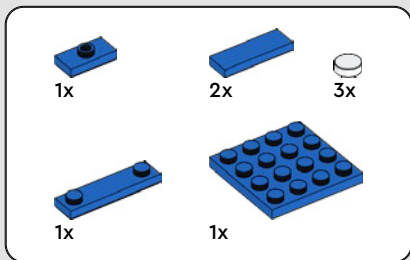


4

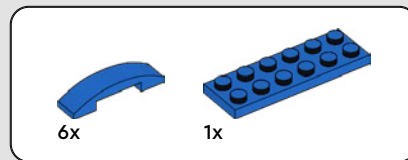
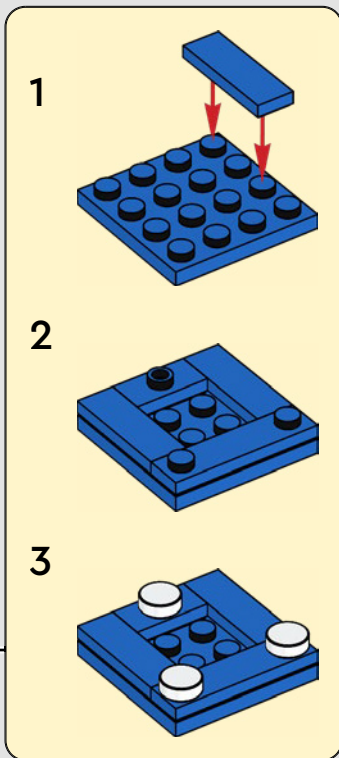
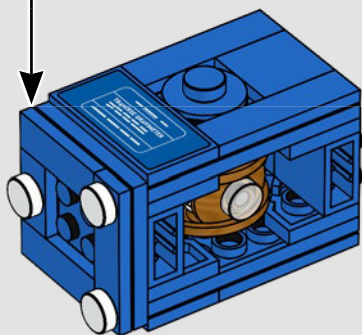


5

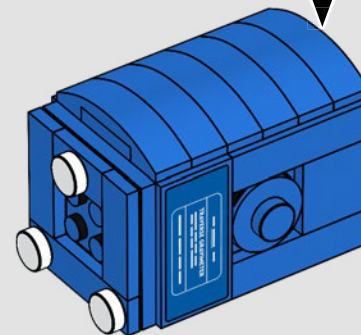
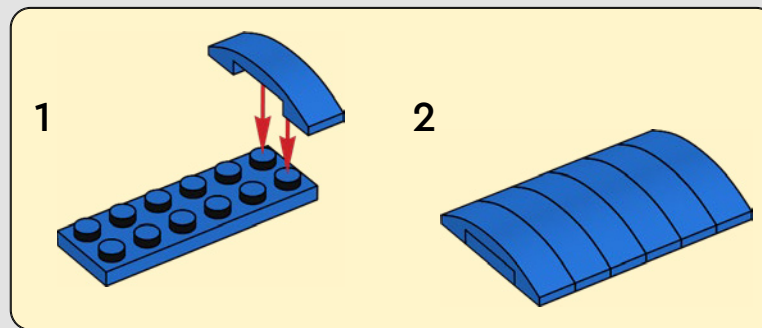




401



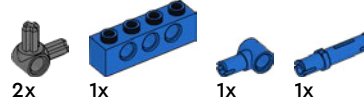
402





2x

403



2x

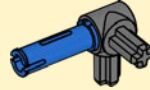
1x

1x

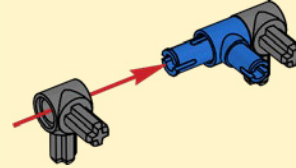
1x

404

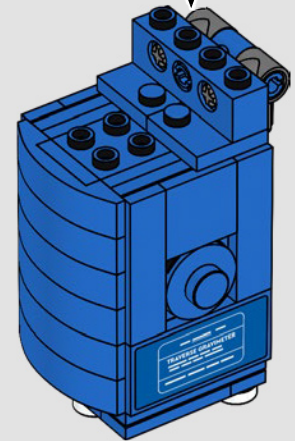
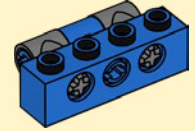
1



2



3



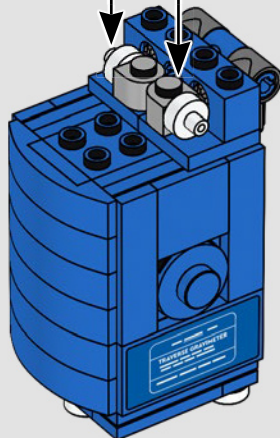
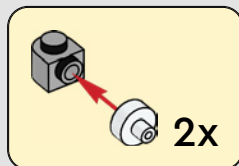


2x



2x

405

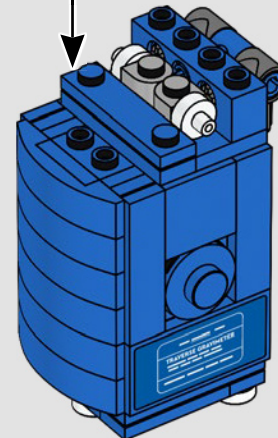
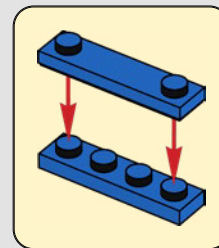


1x



1x

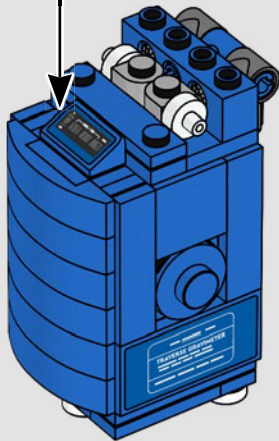
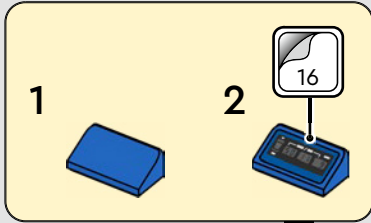
406





1x

407



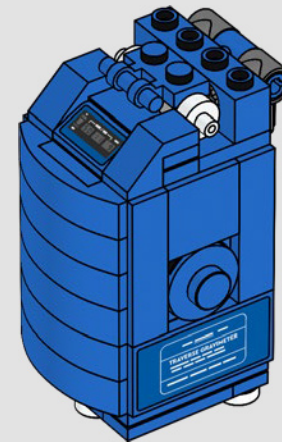
2x

408



1x

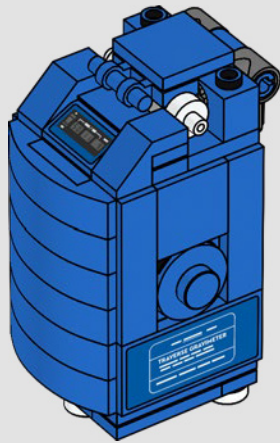
409





1x

410



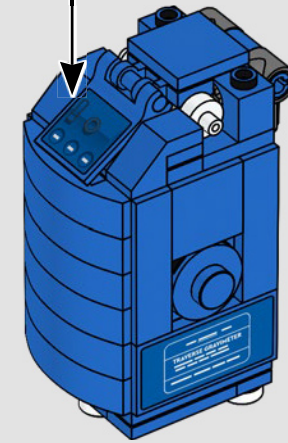
1x

411

1



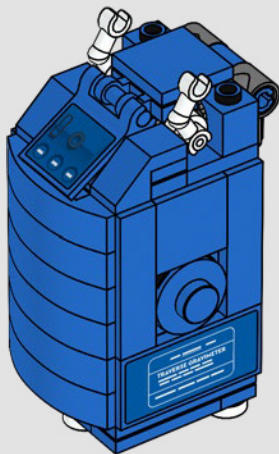
2





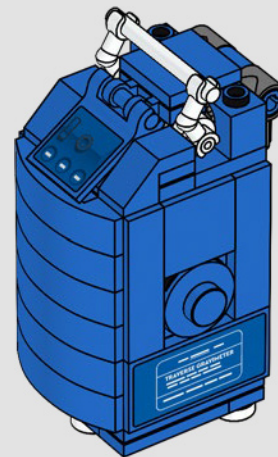
2x

412

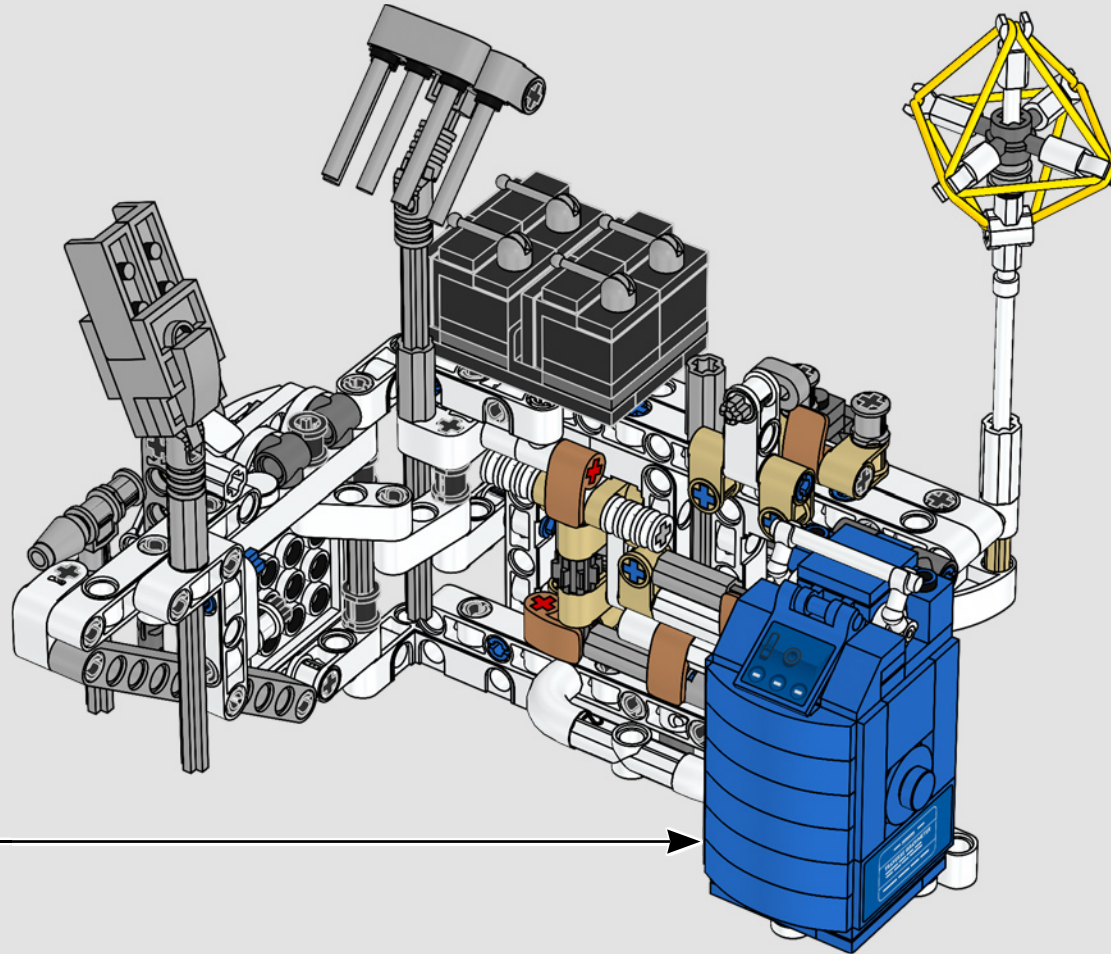


1x

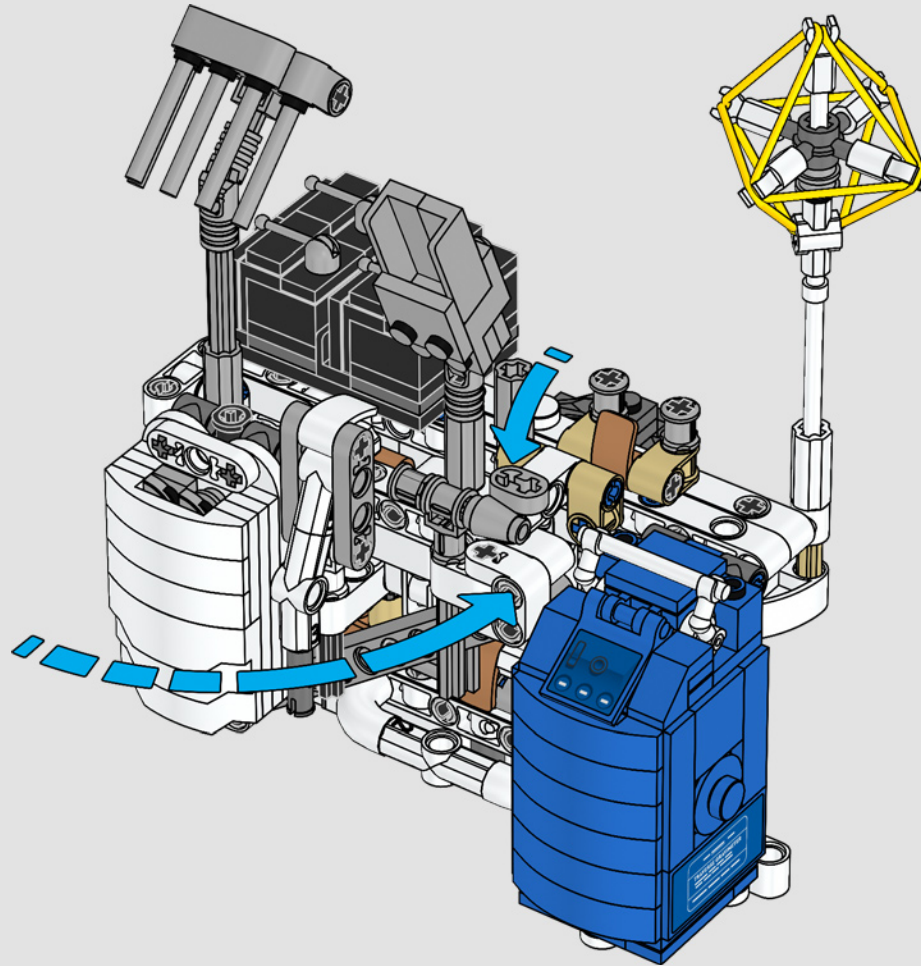
413



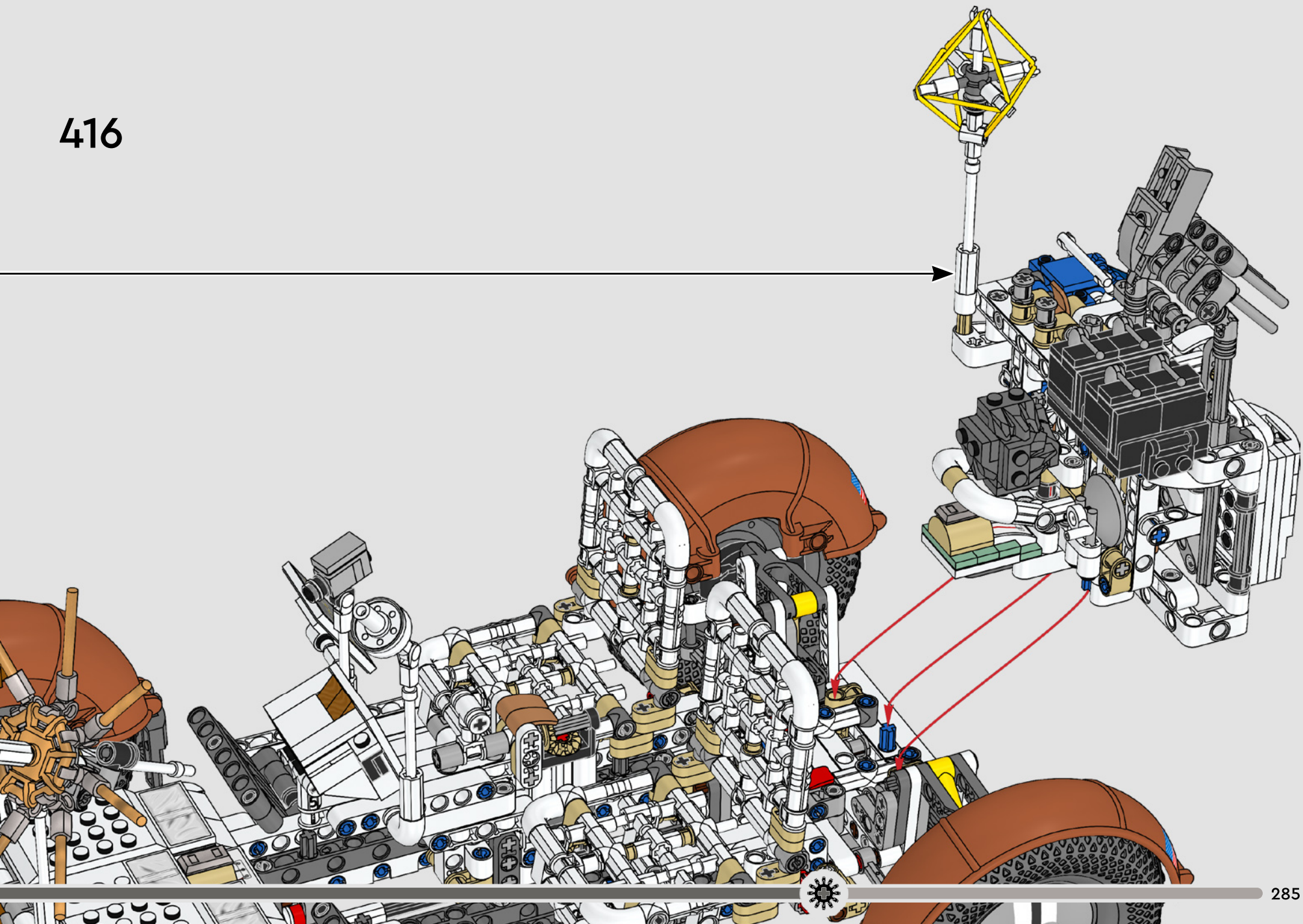
414

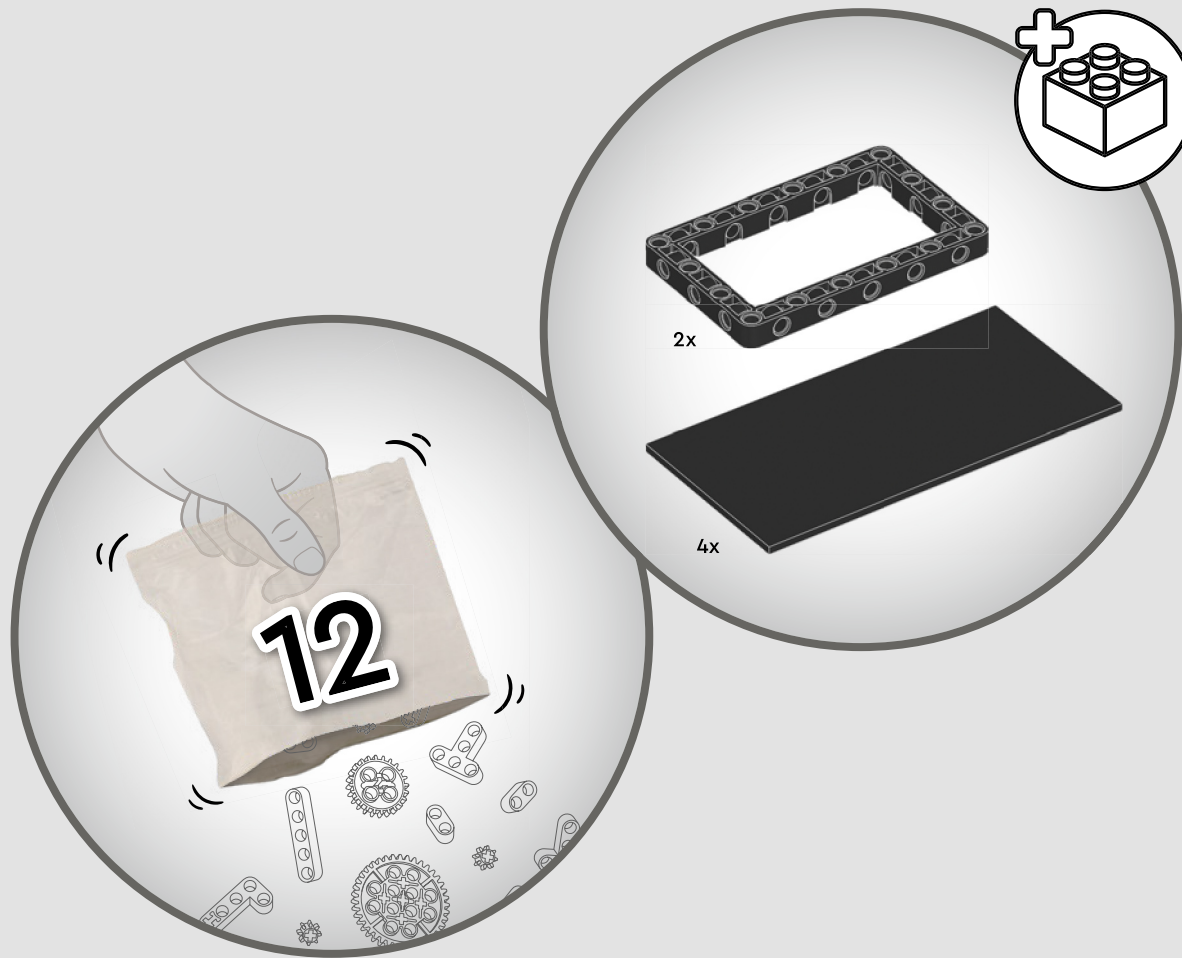


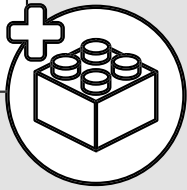
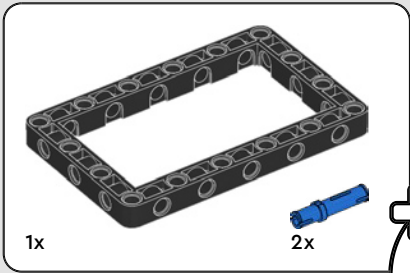
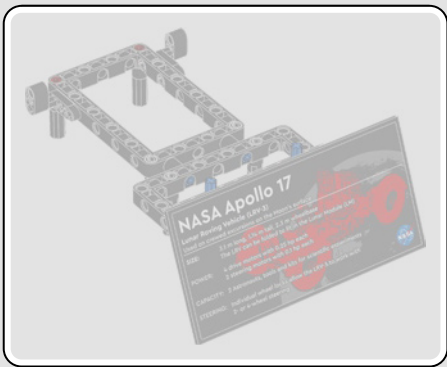
415



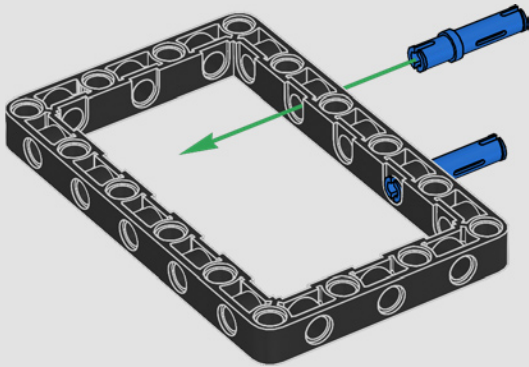
416



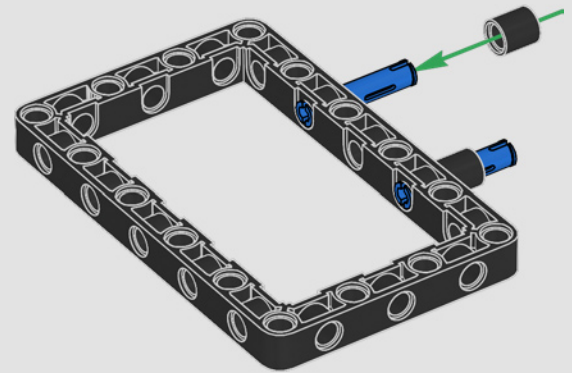


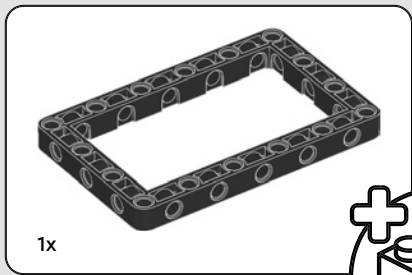


417

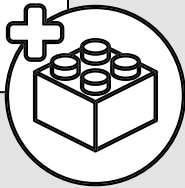


418

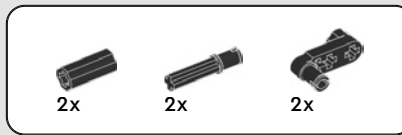
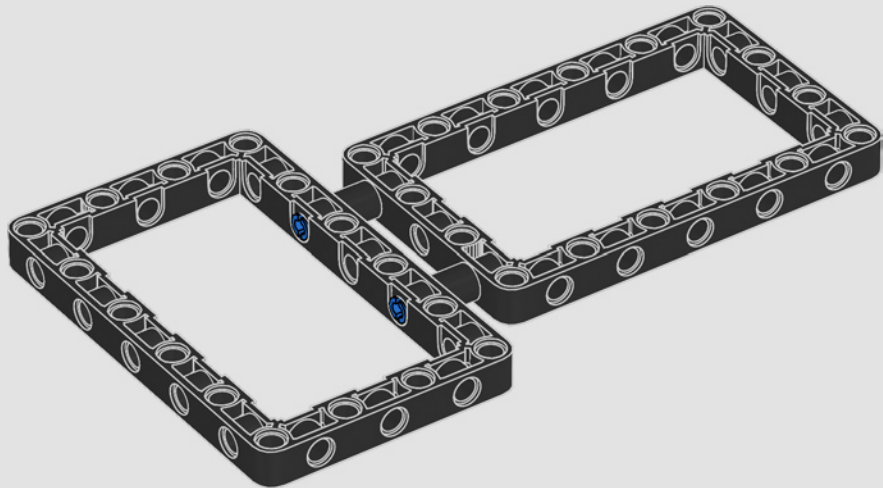




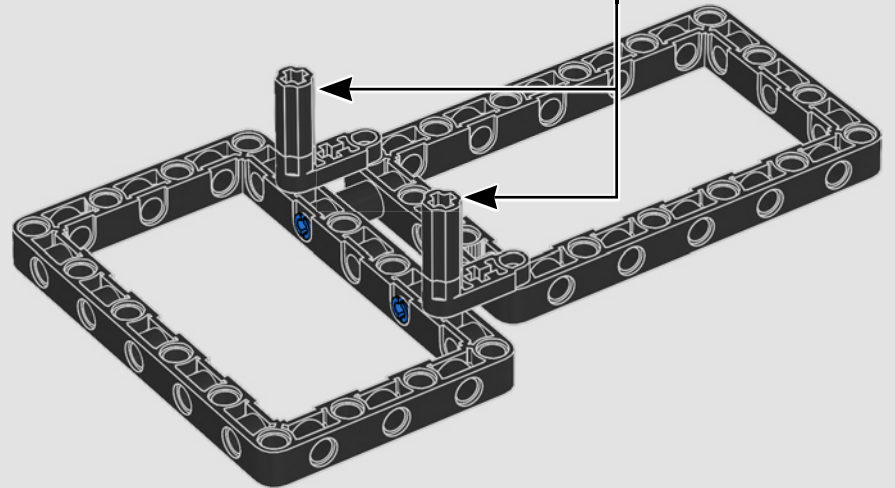
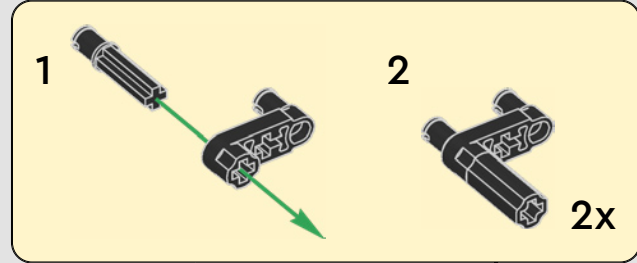
1x

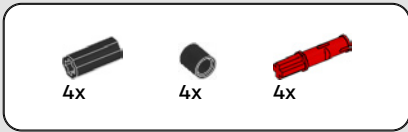


419

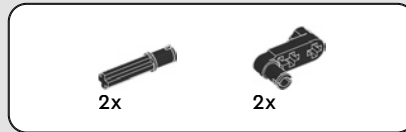
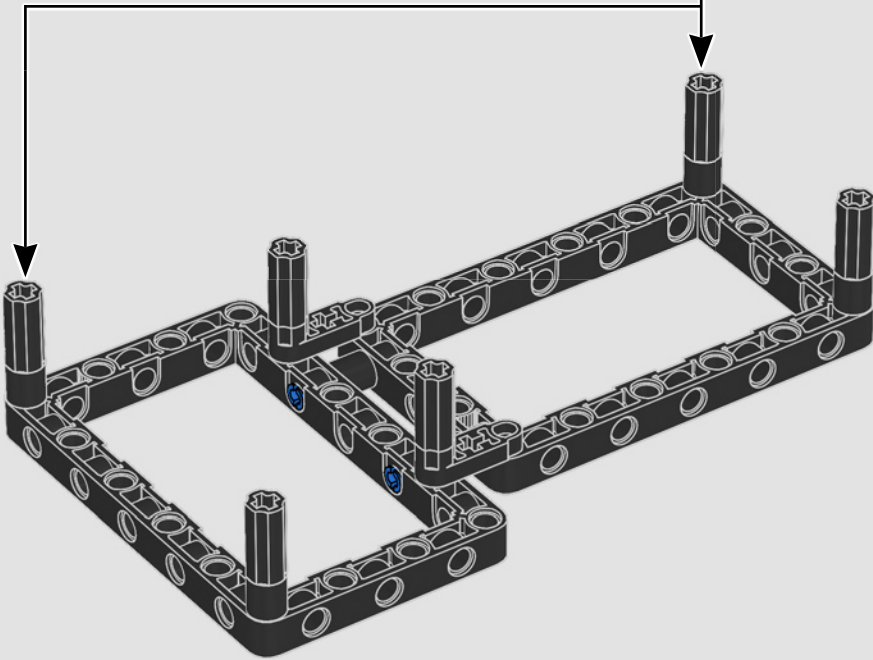
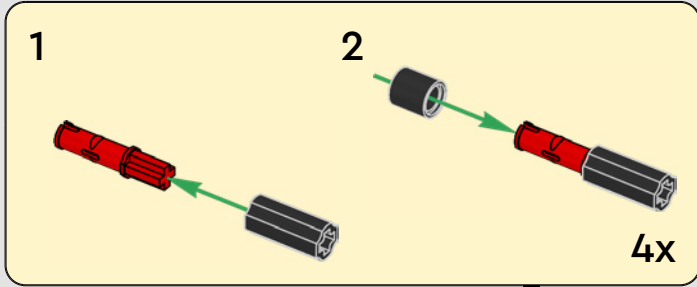


420

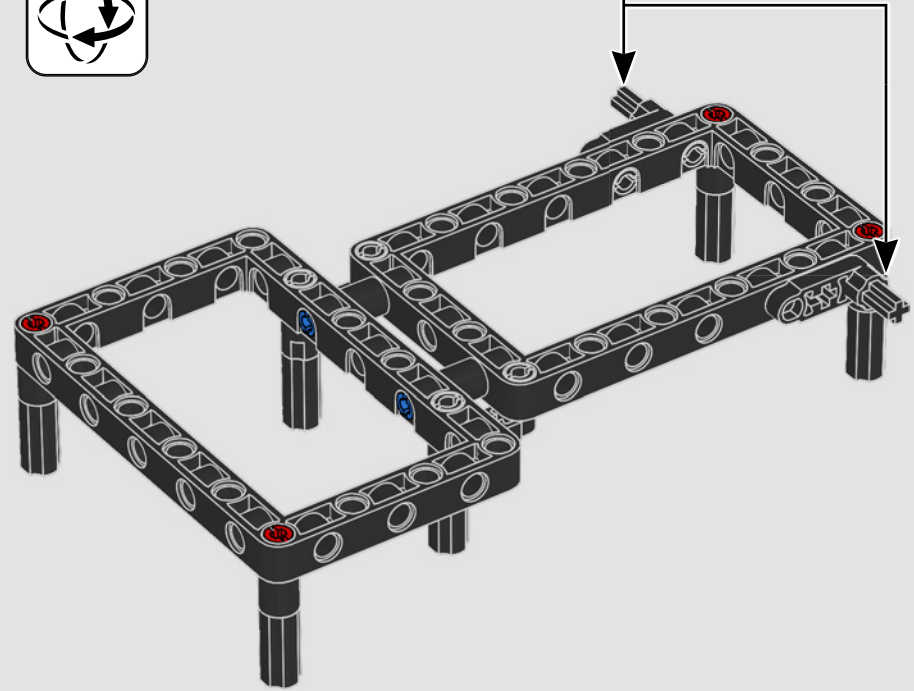
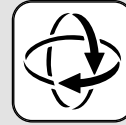
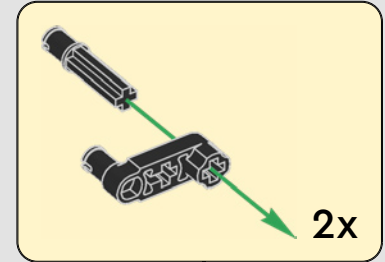




421



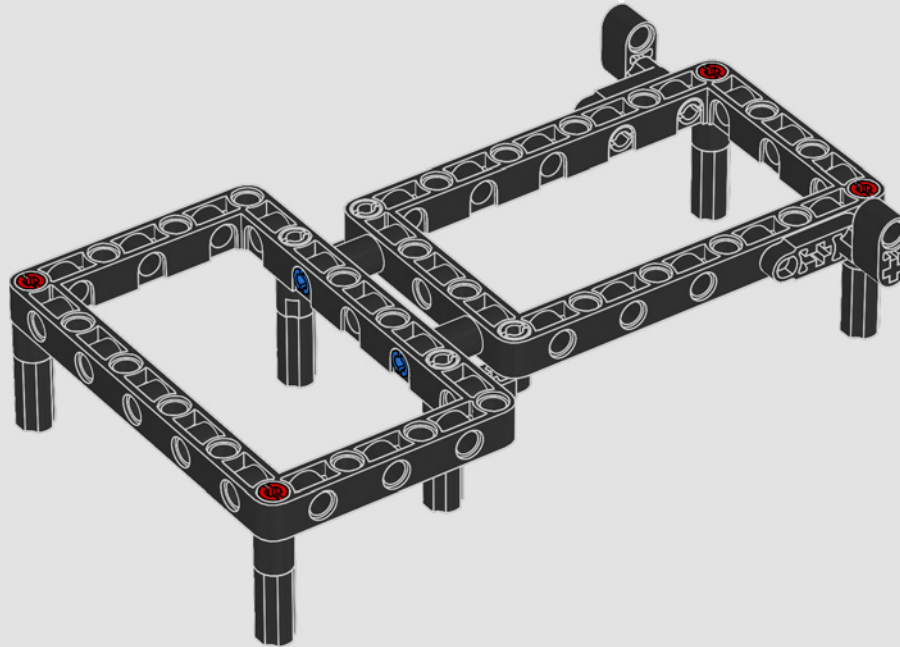
422

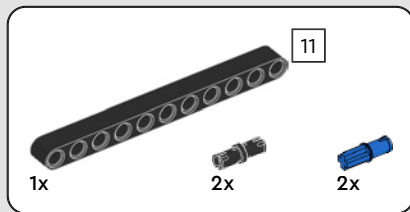




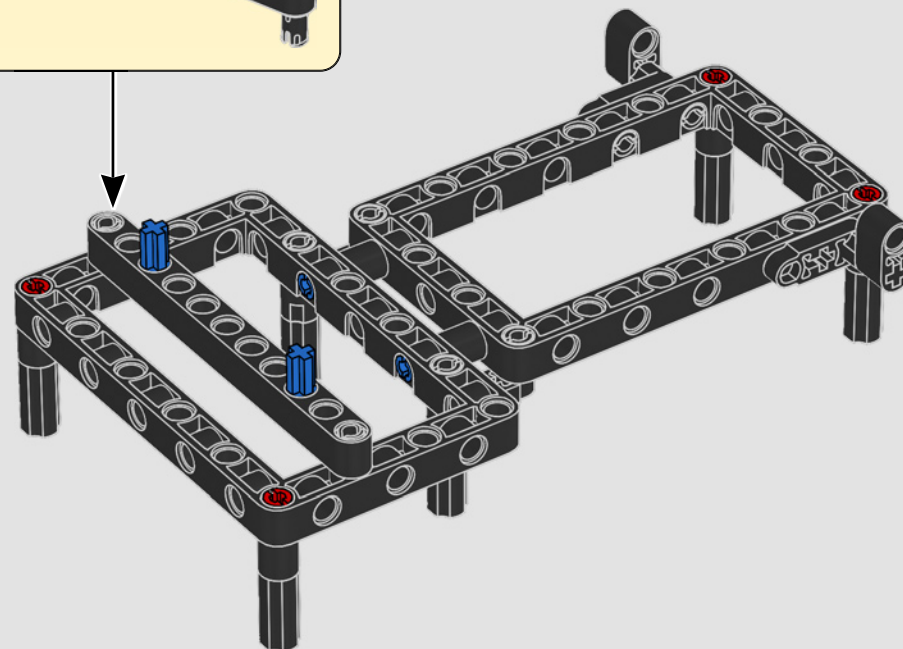
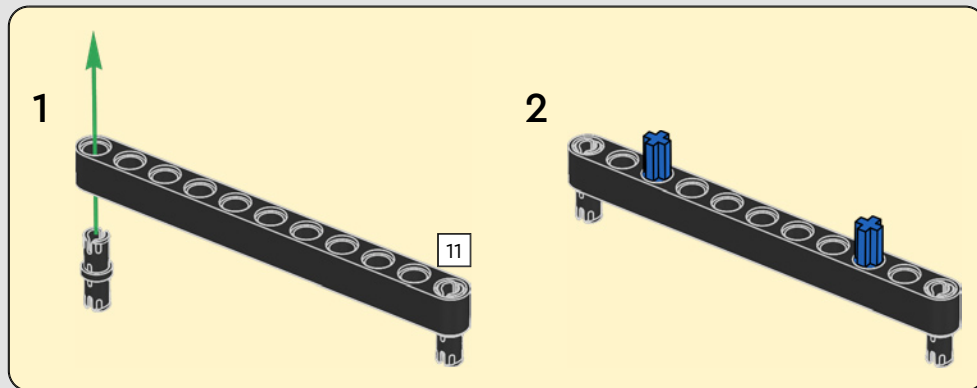
2x

423





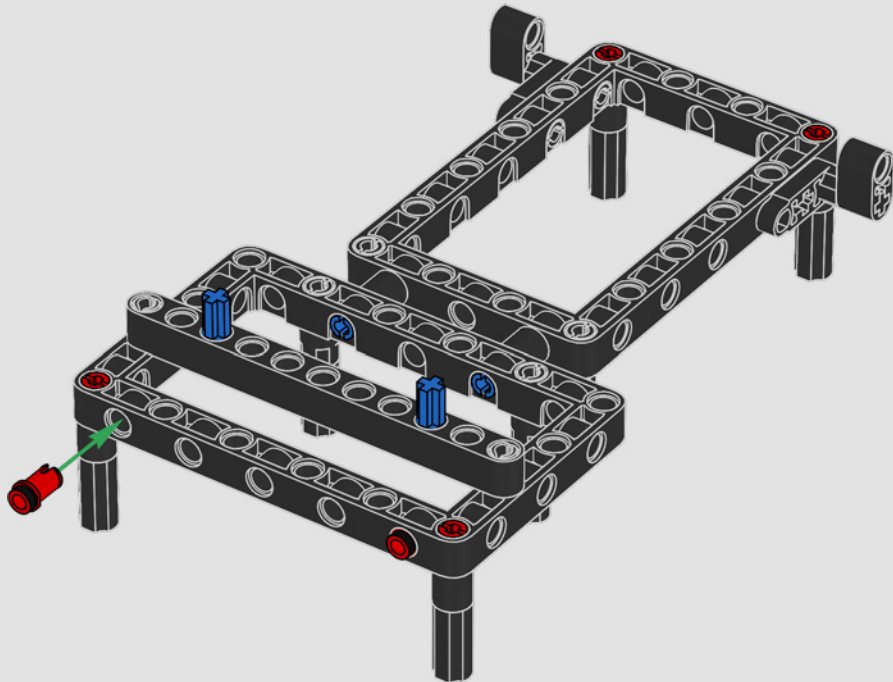
424





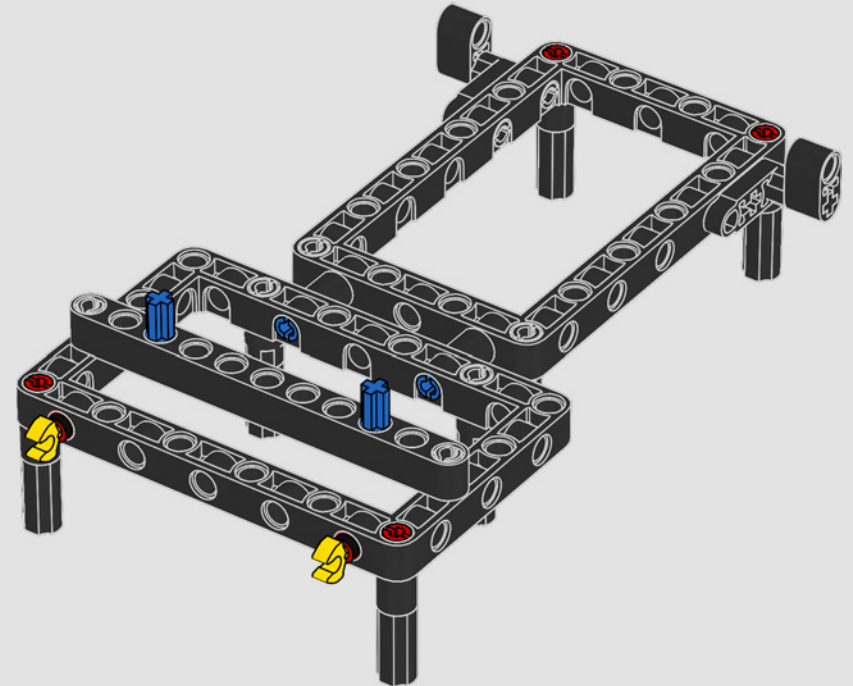
2x

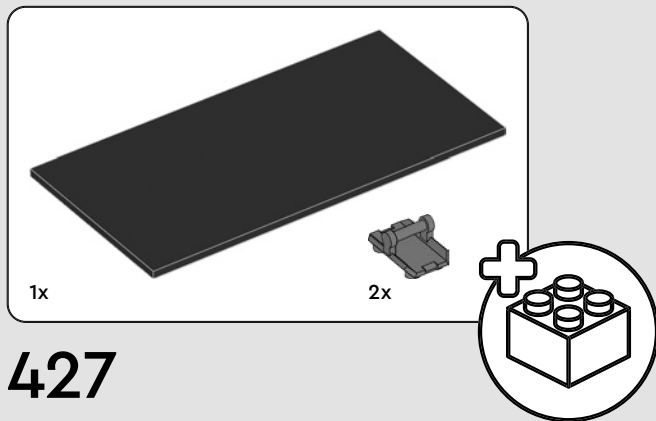
425



2x

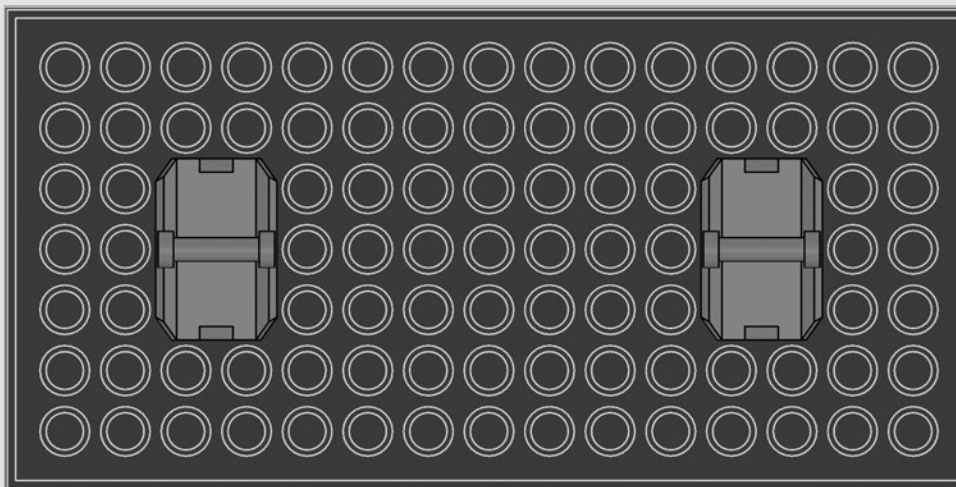
426





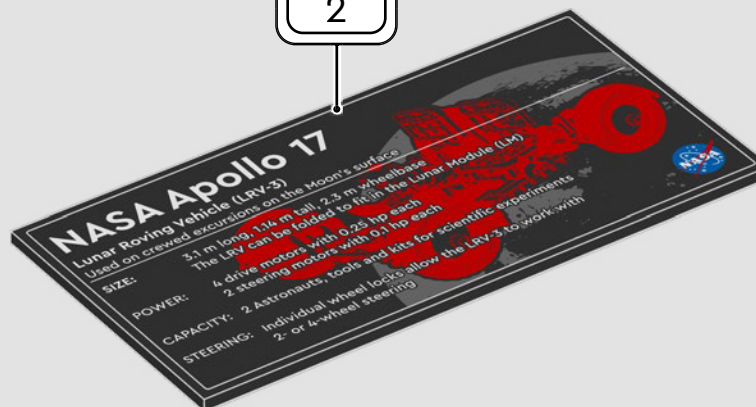
427

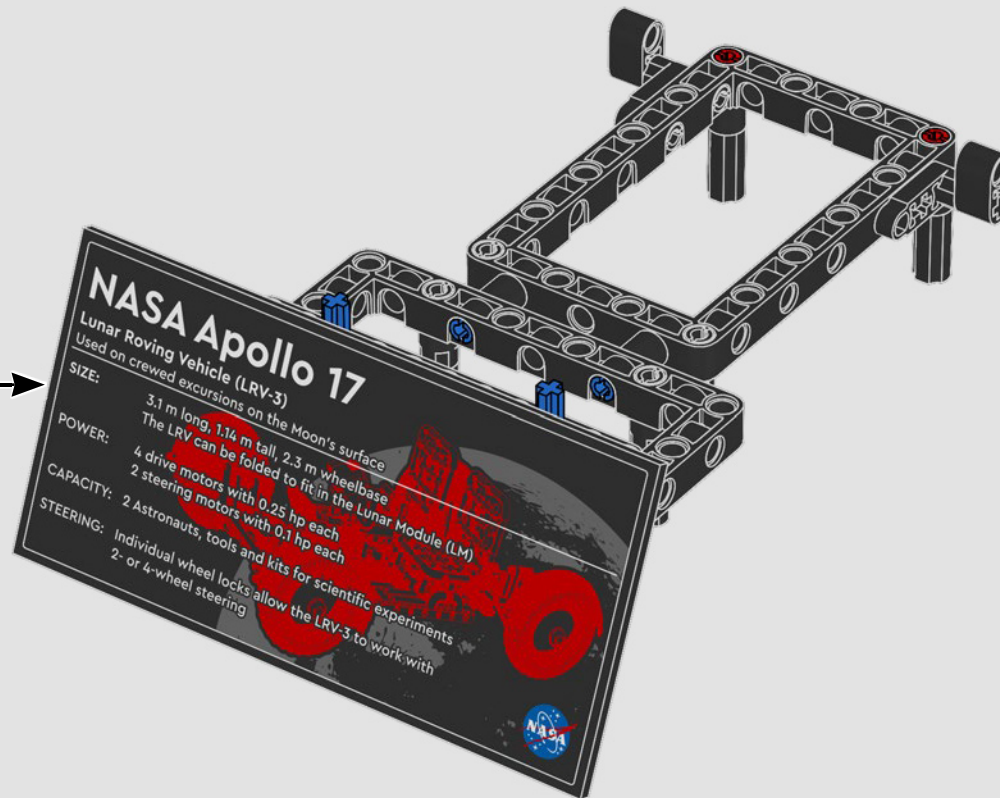
1

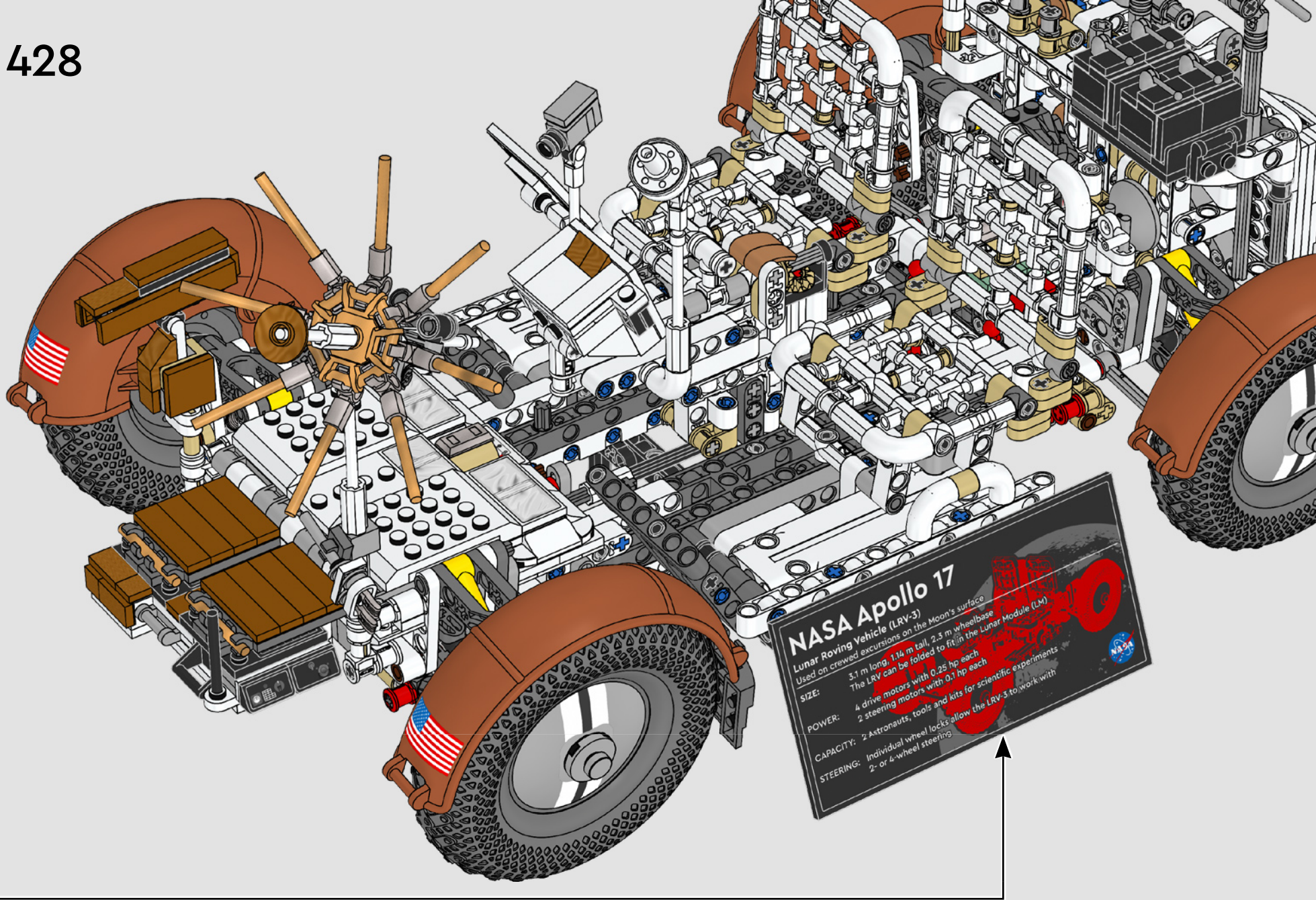


1:1

2







NASA Apollo 17

Lunar Roving Vehicle (LRV-3)
Used on crewed excursions on the Moon's surface

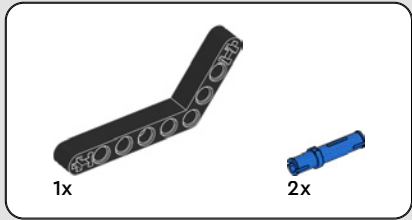
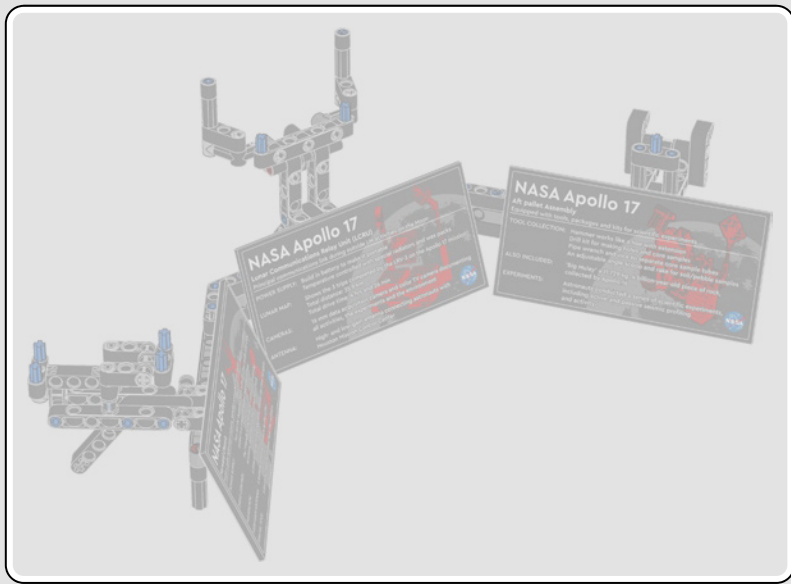
SIZE: 3.1 m long, 1.14 m tall, 2.5 m wheelbase
The LRV can be folded to fit in the Lunar Module (LM)

POWER: 4 drive motors with 0.25 hp each
2 steering motors with 0.1 hp each

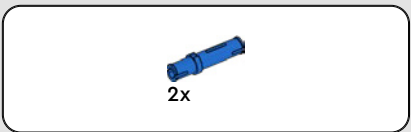
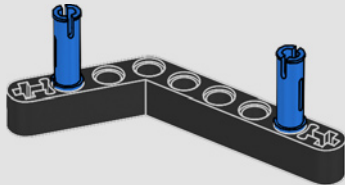
CAPACITY: 2 Astronauts, tools and kits for scientific experiments

STEERING: Individual wheel locks allow the LRV-3 to work with
2- or 4-wheel steering

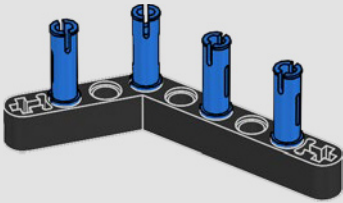


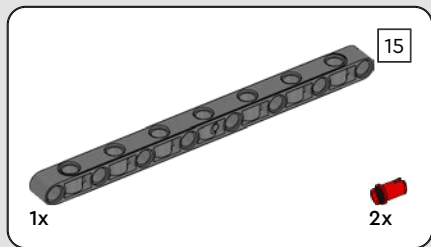


429

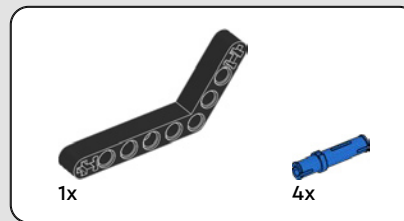
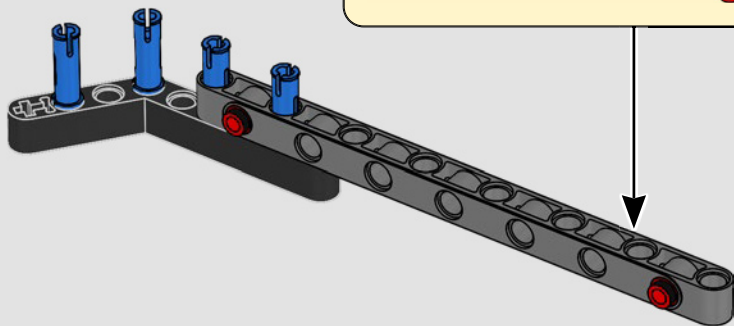
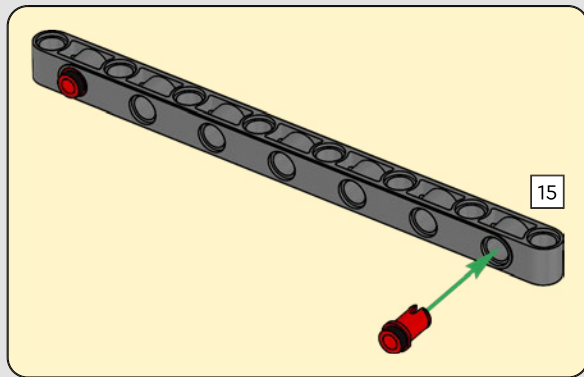


430

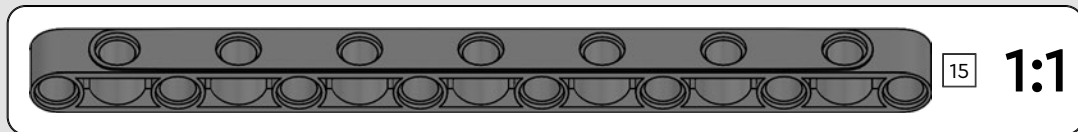
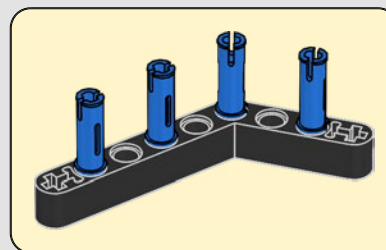
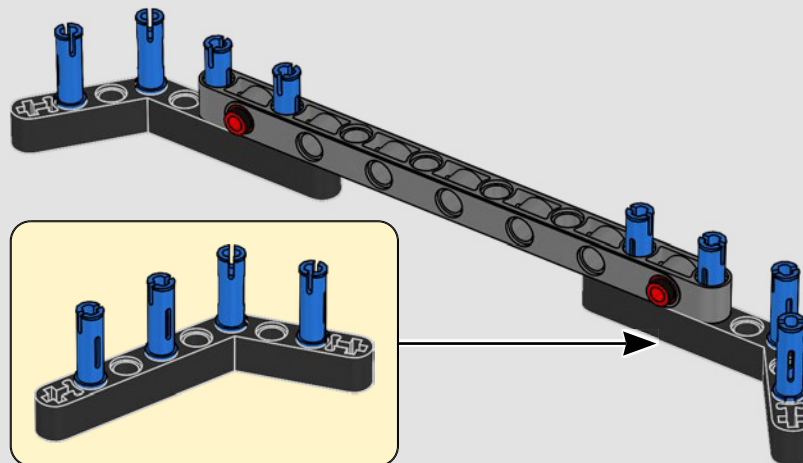


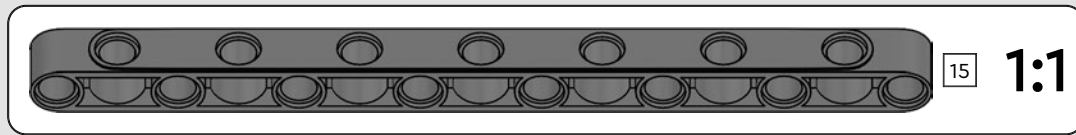
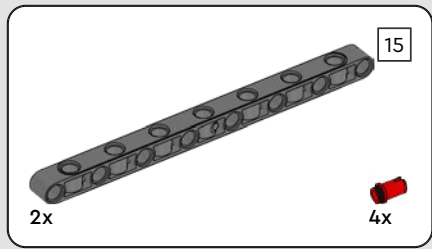


431

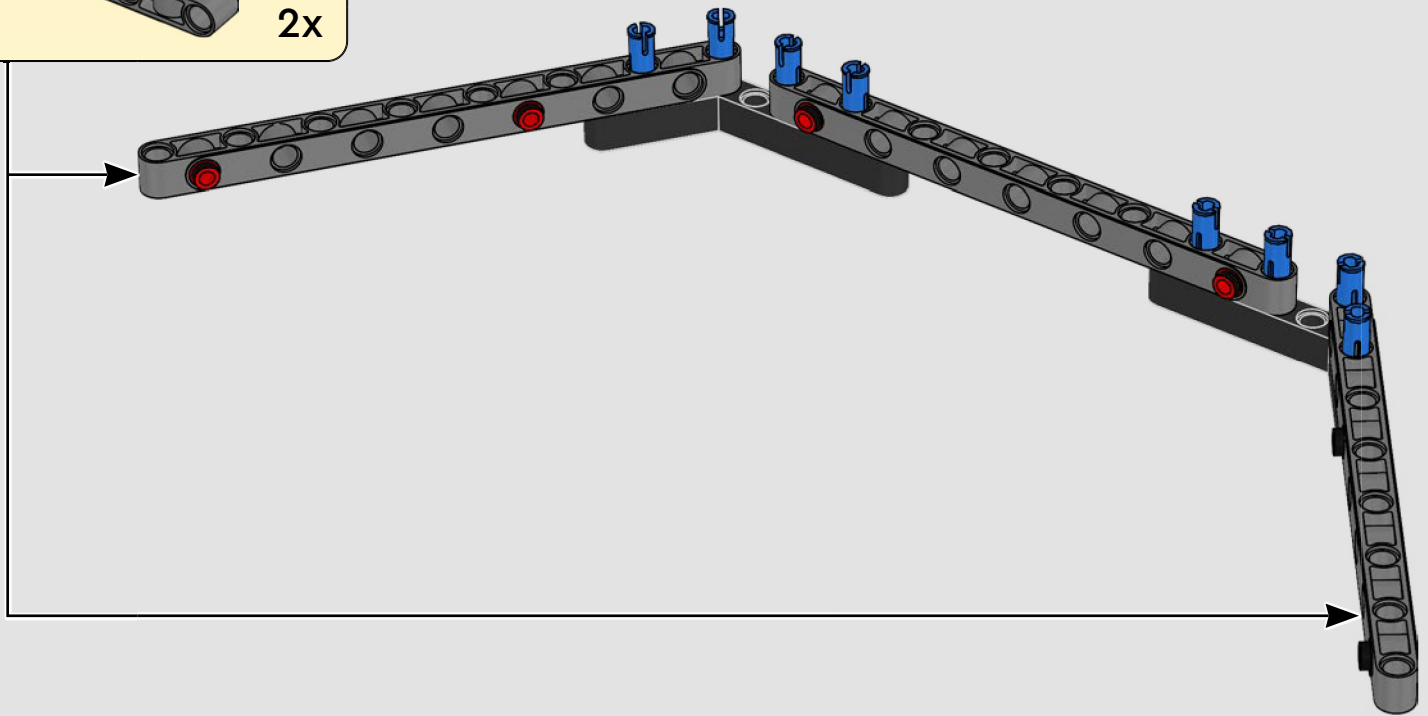
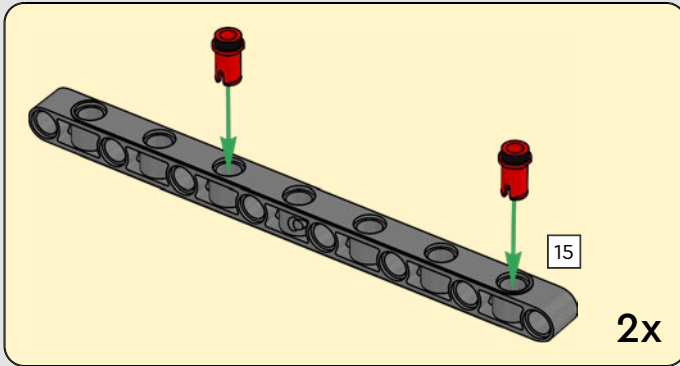


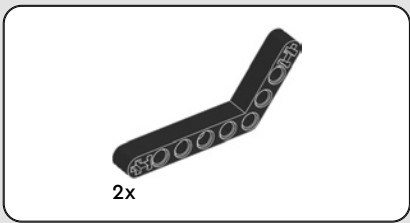
432



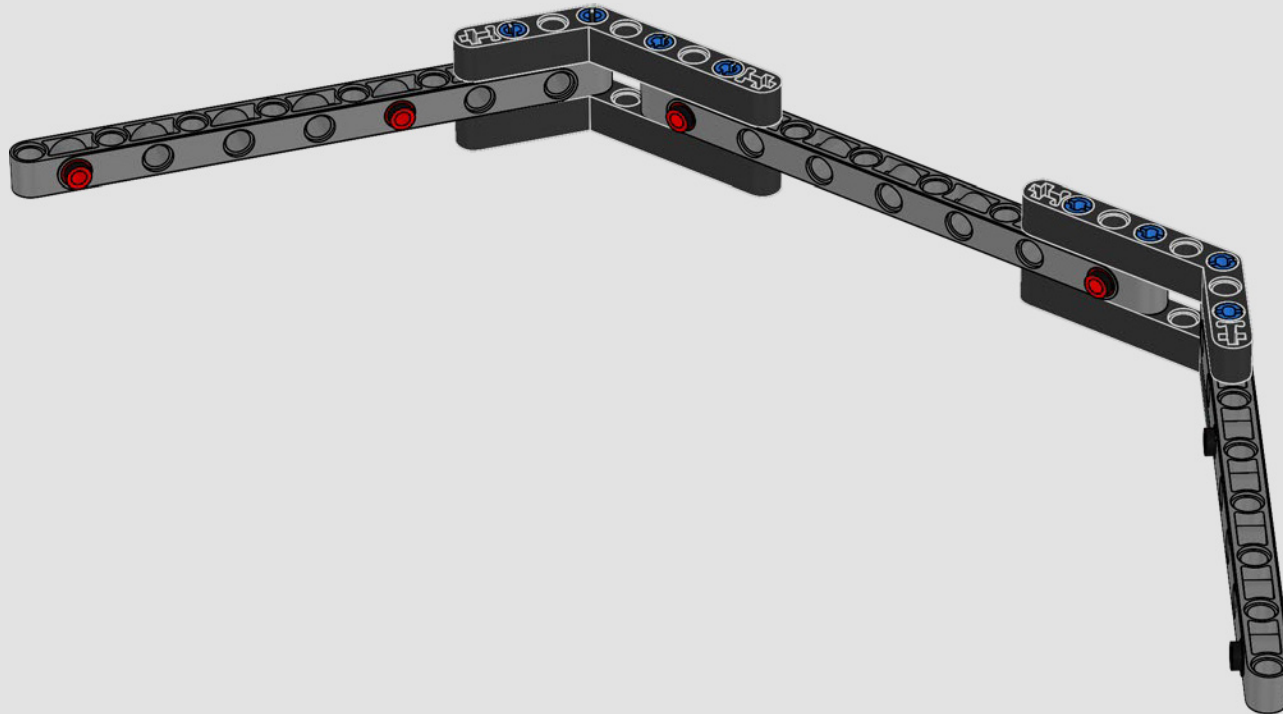


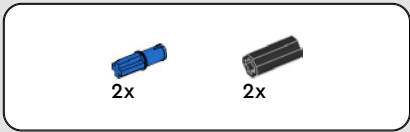
433



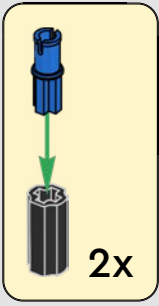
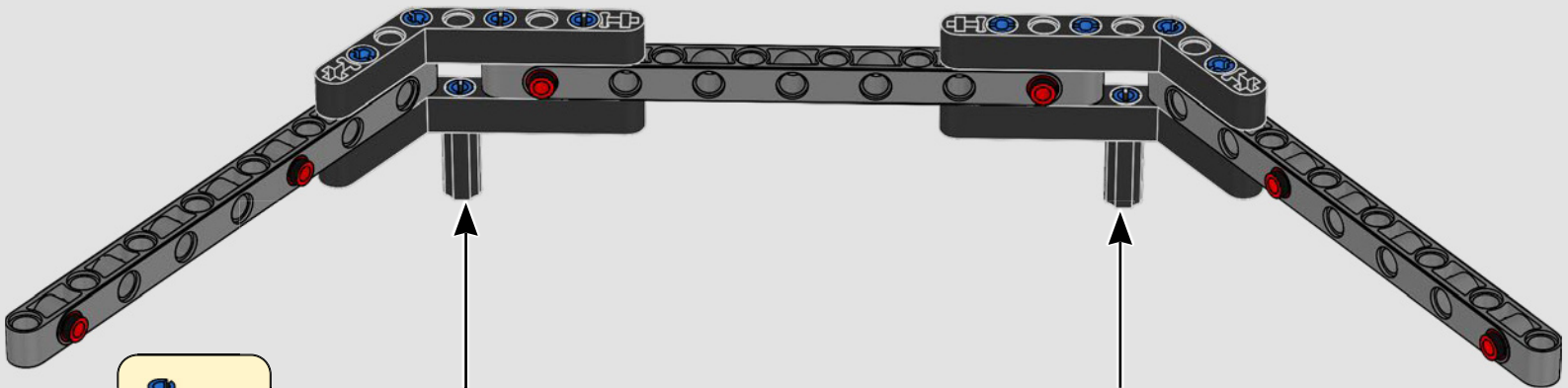


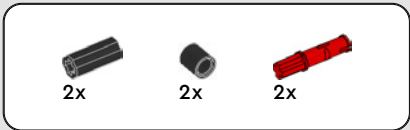
434



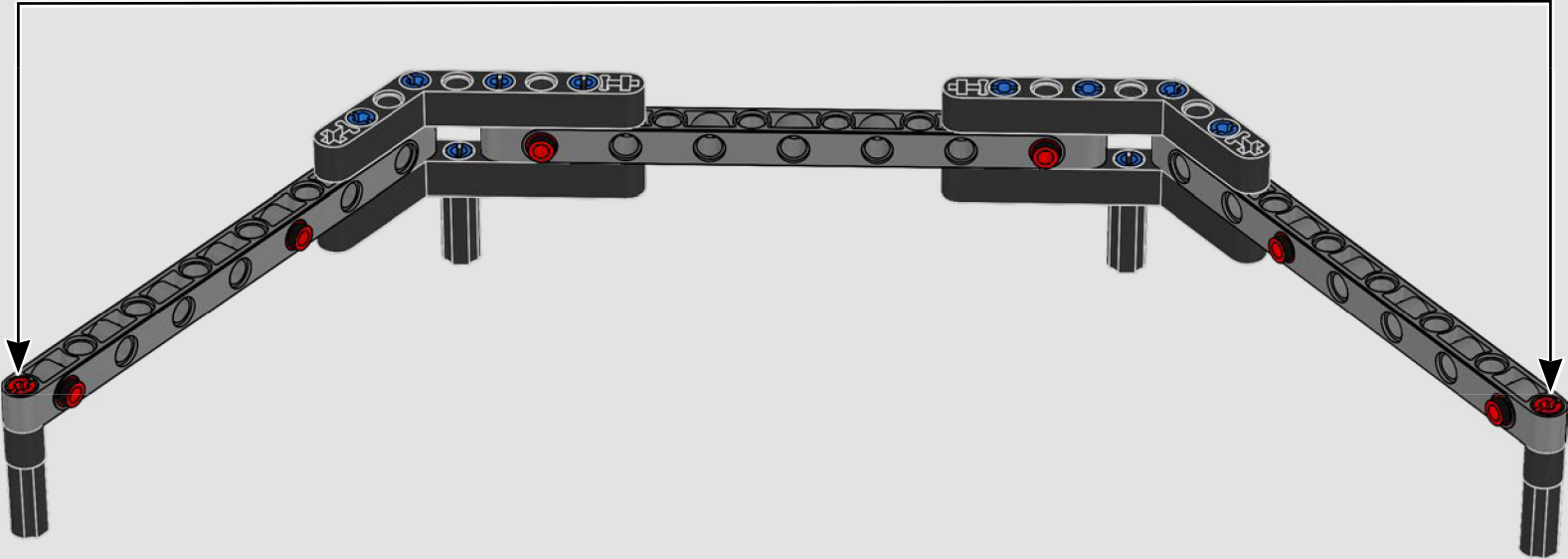
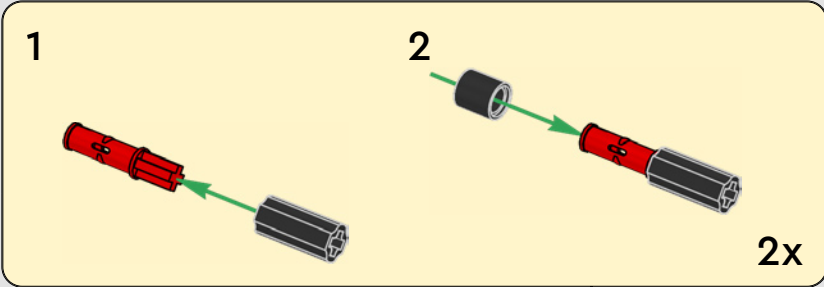


435





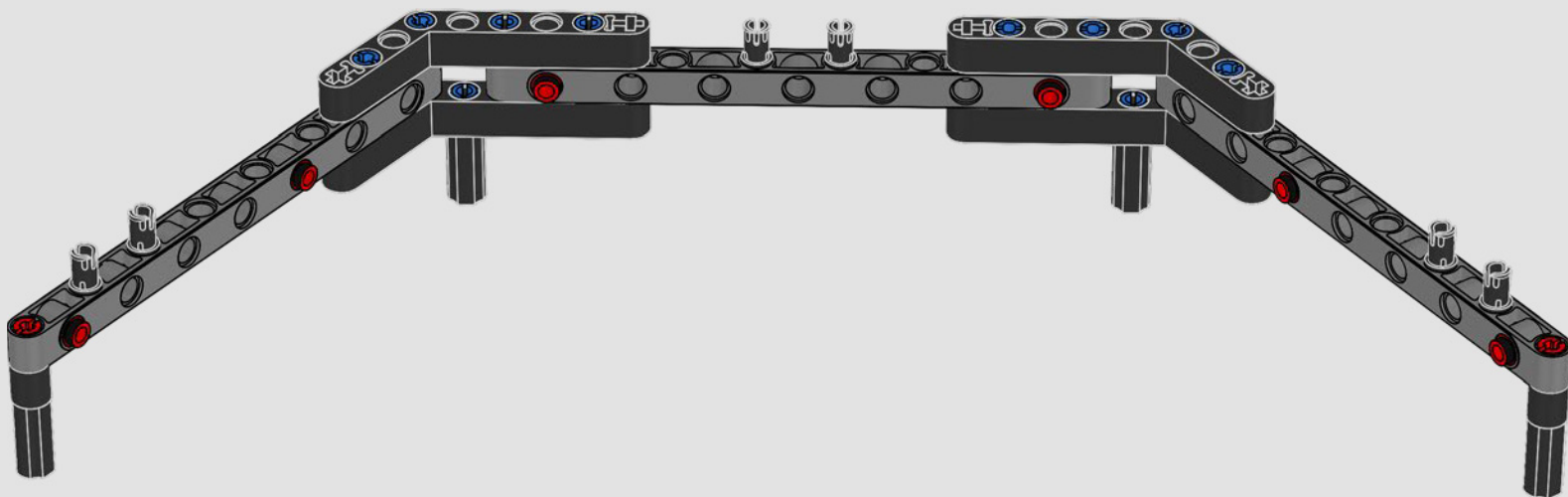
436

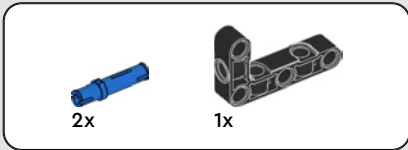
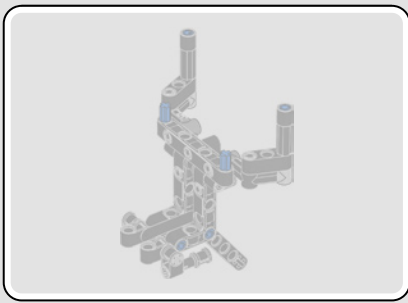




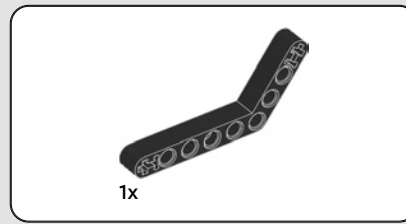
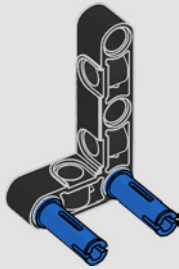
6x

437

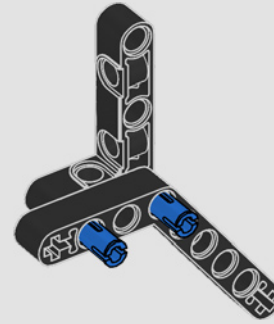




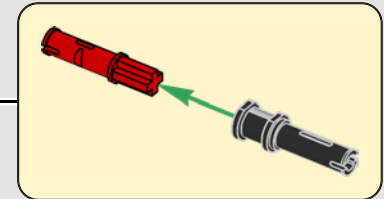
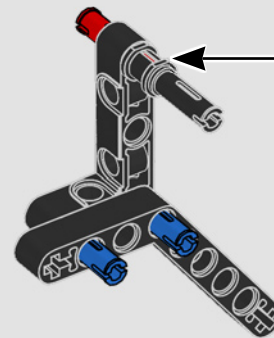
438

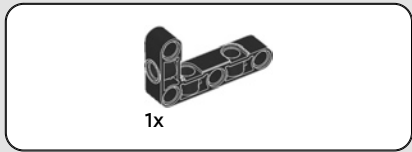


439

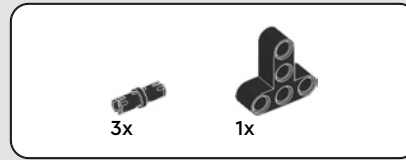
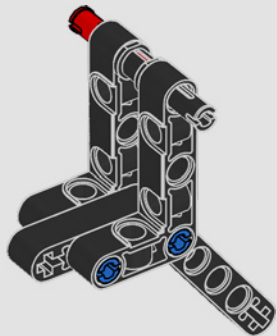


440

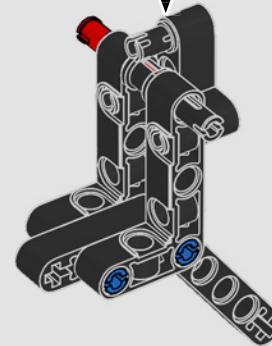
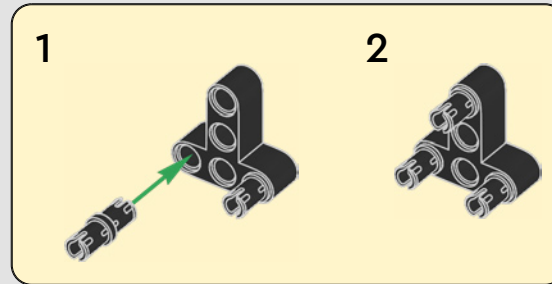


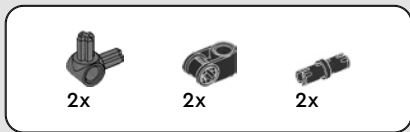


441

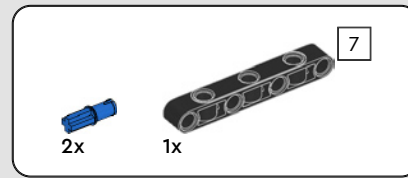
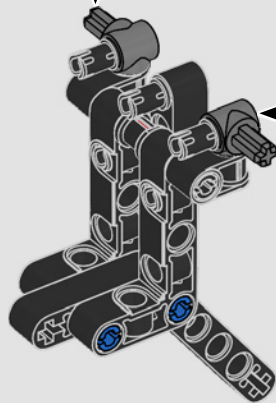
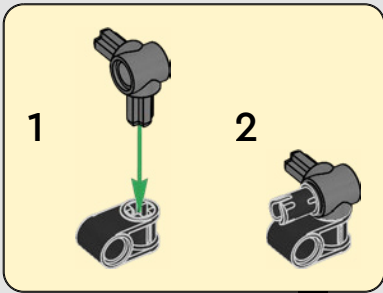
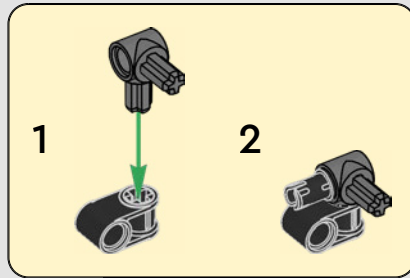


442

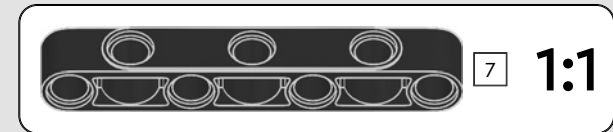
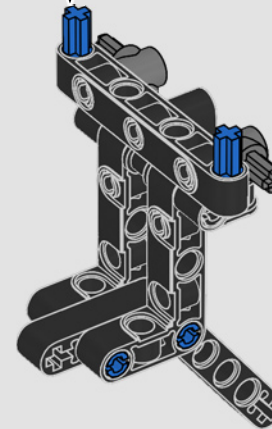
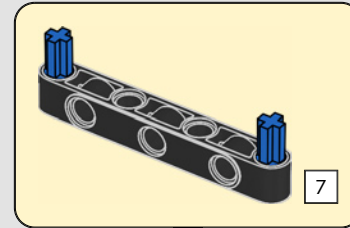


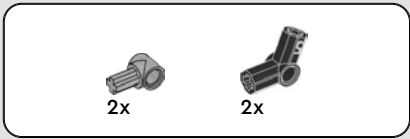


443

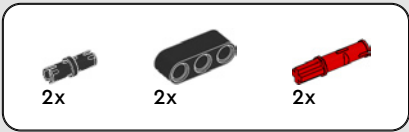
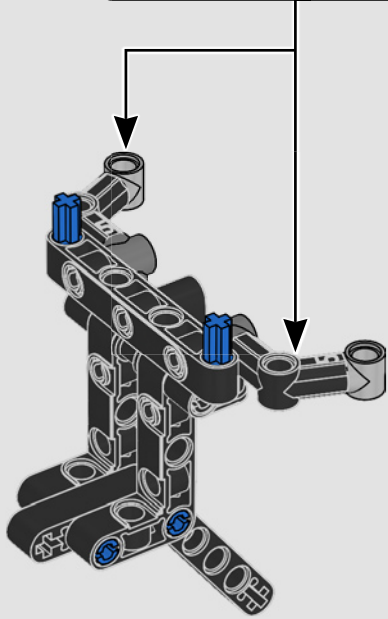
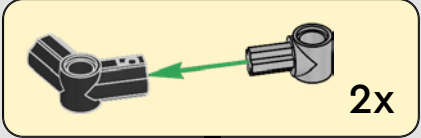


444

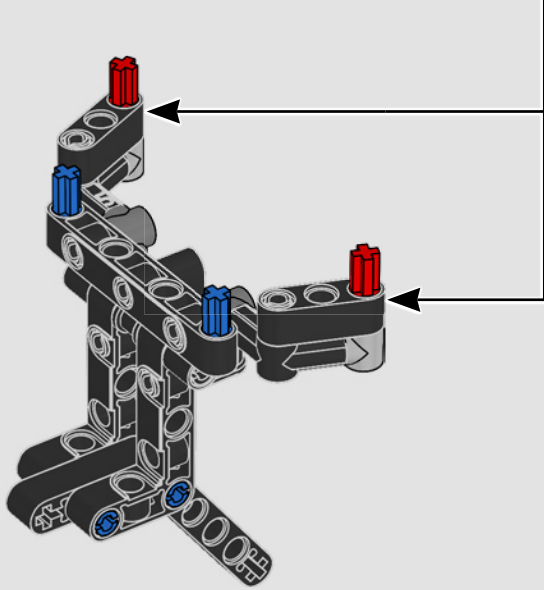
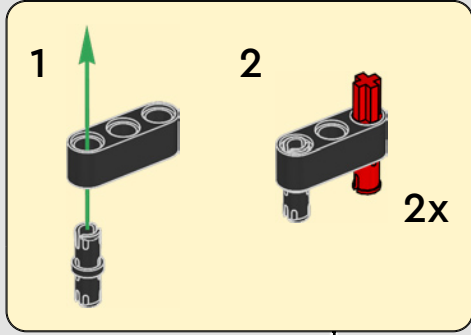


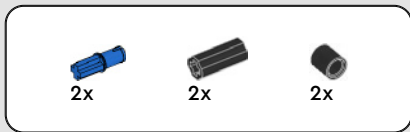


445

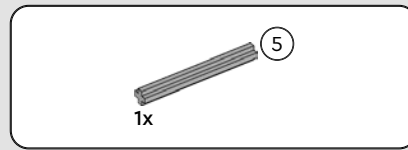
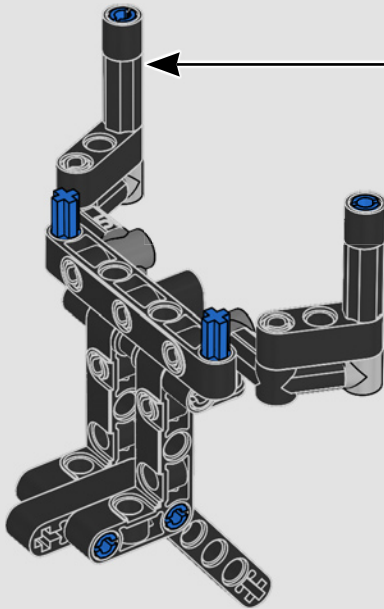
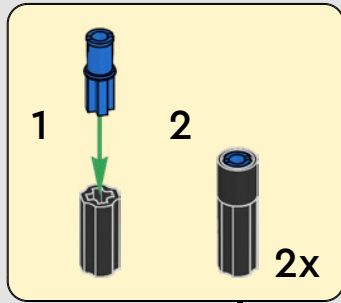


446

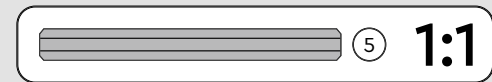
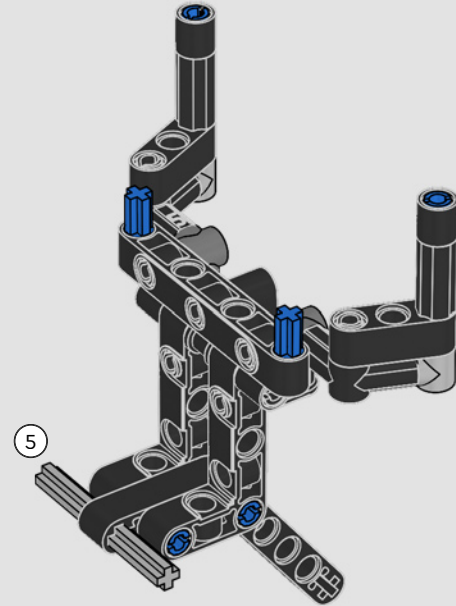




447



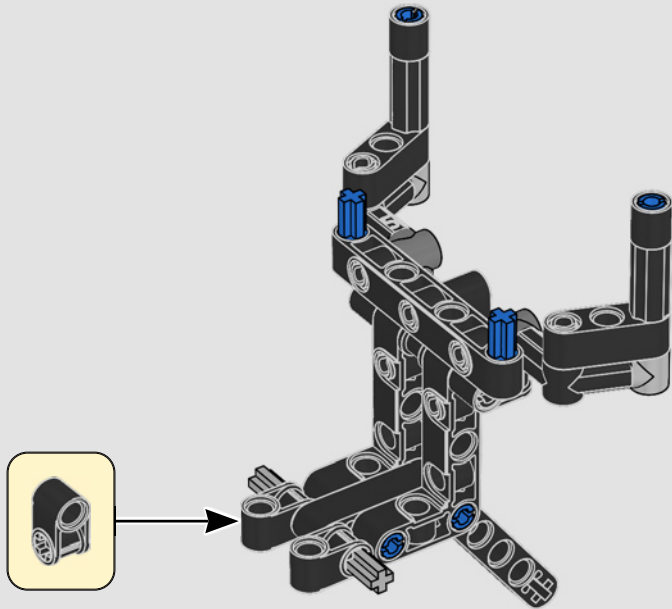
448





2x

449

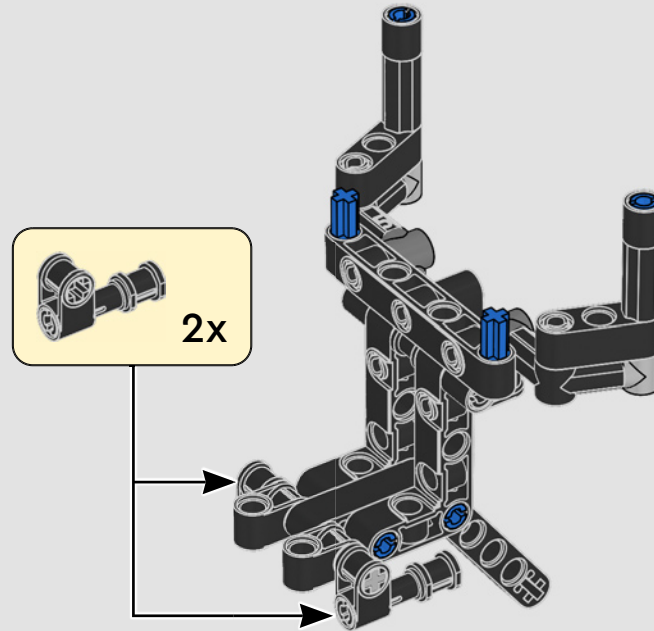


2x

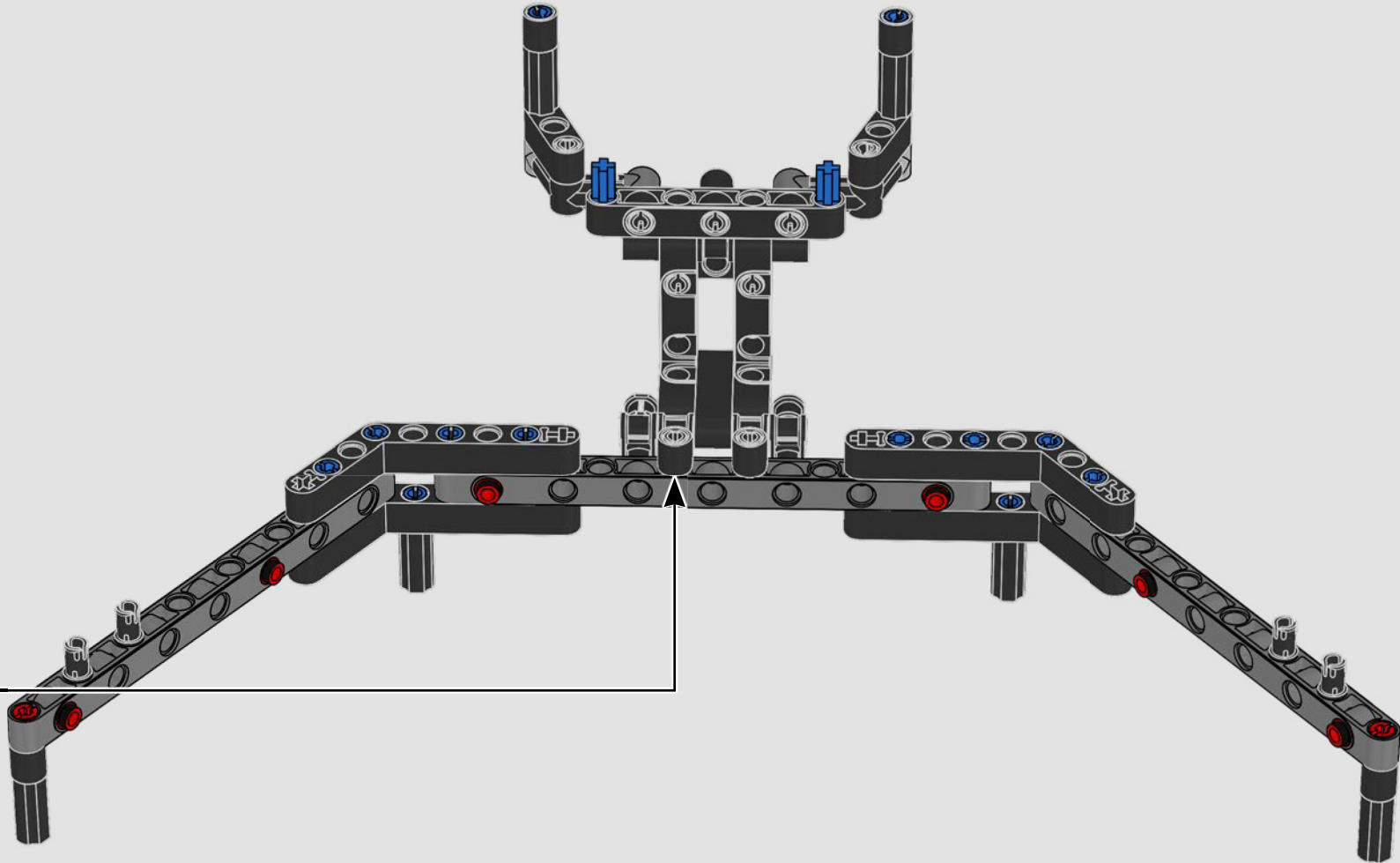


2x

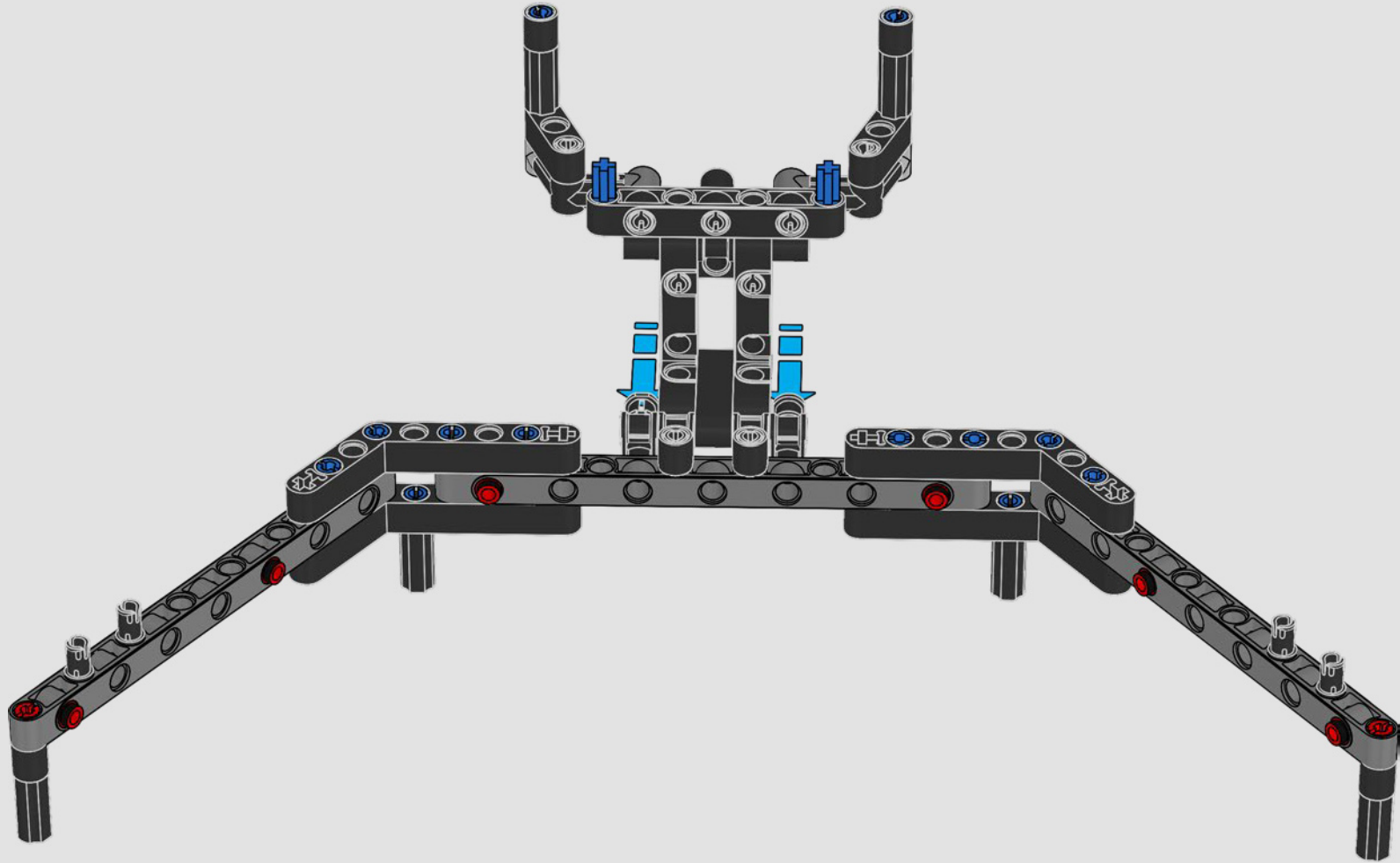
450

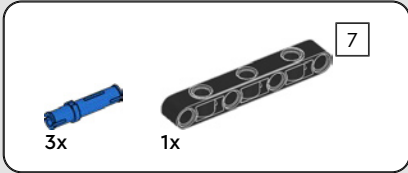
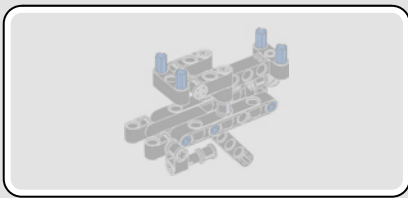


451

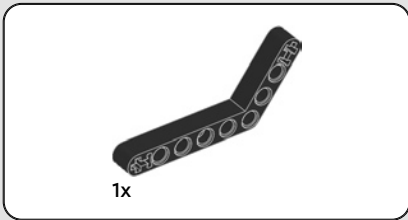
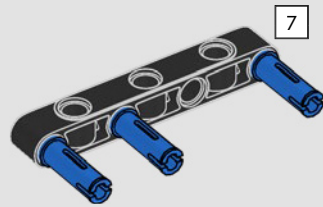


452

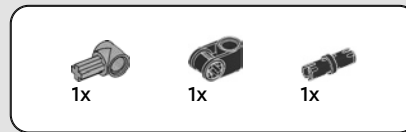
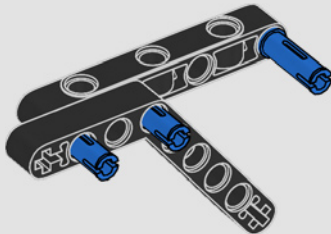




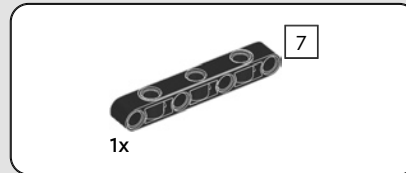
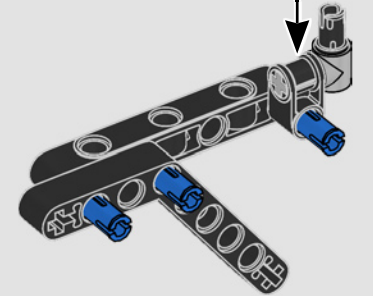
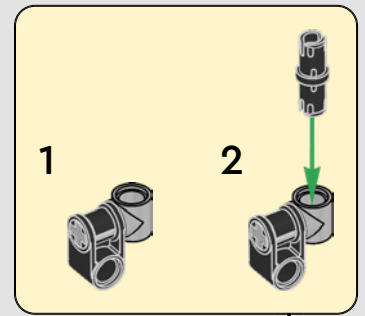
453



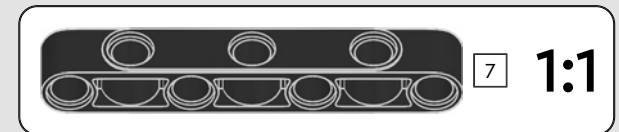
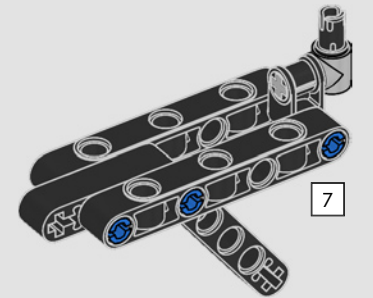
454



455

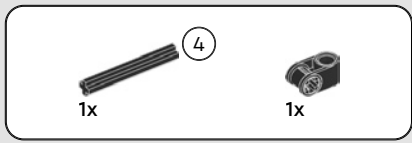


456

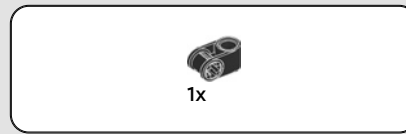
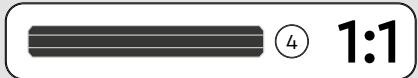
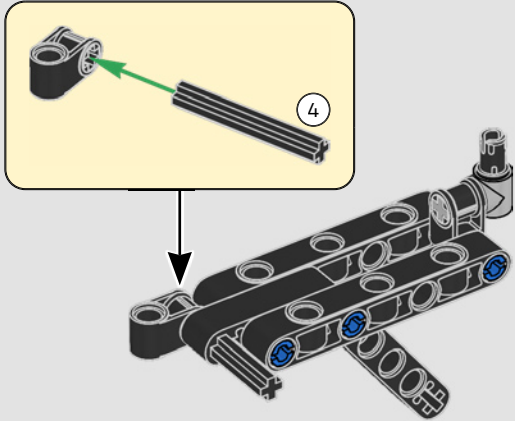


1:1

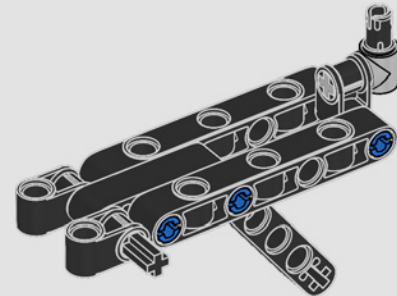


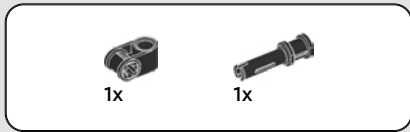


457

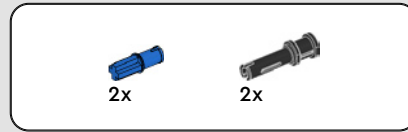
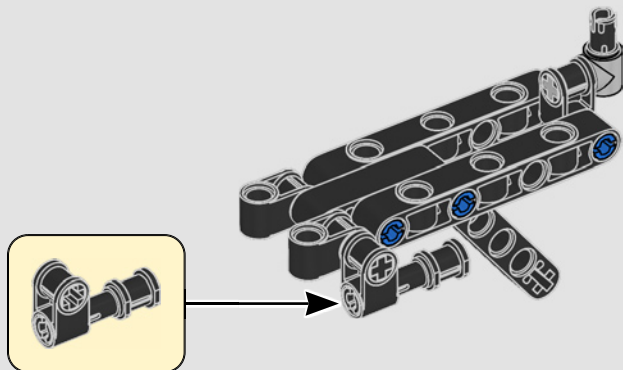


458

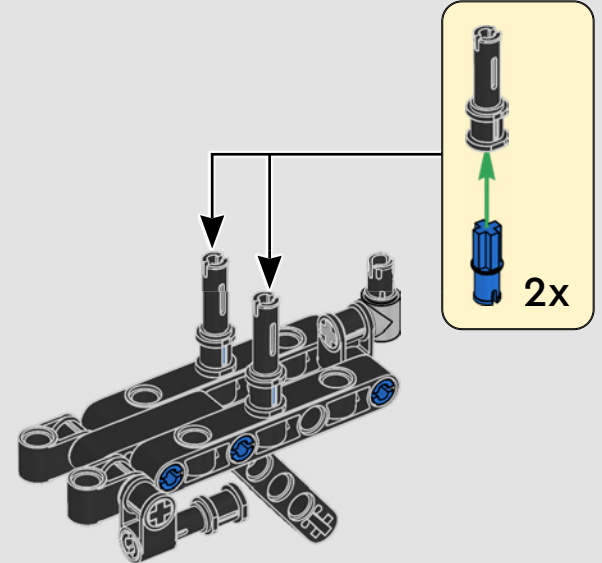


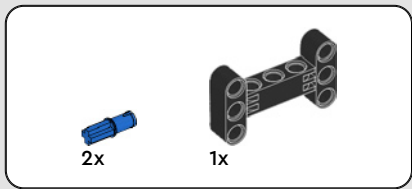


459

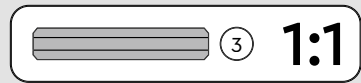
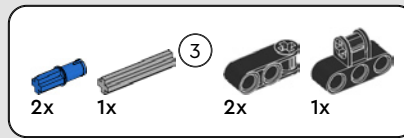
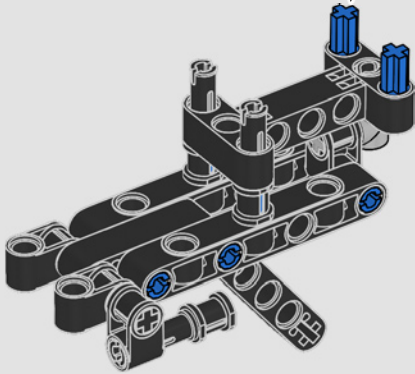
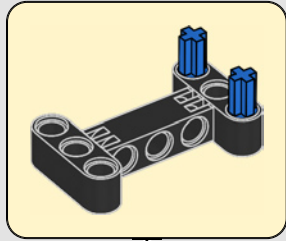


460

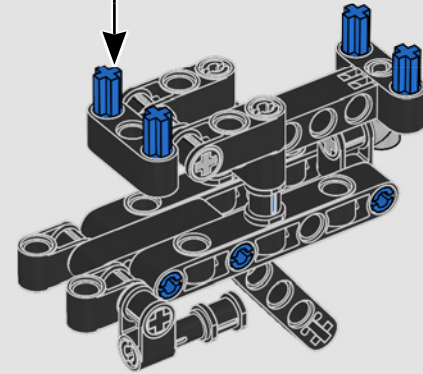
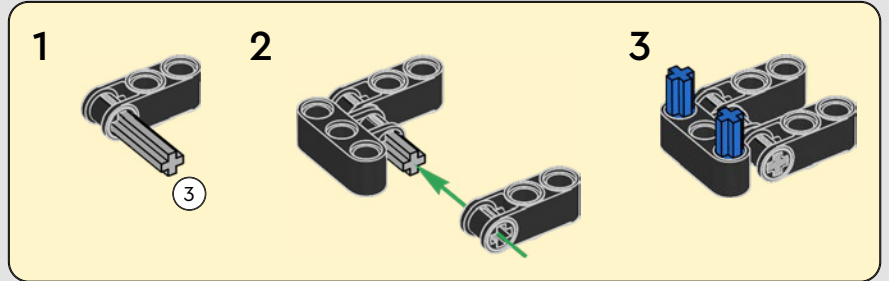




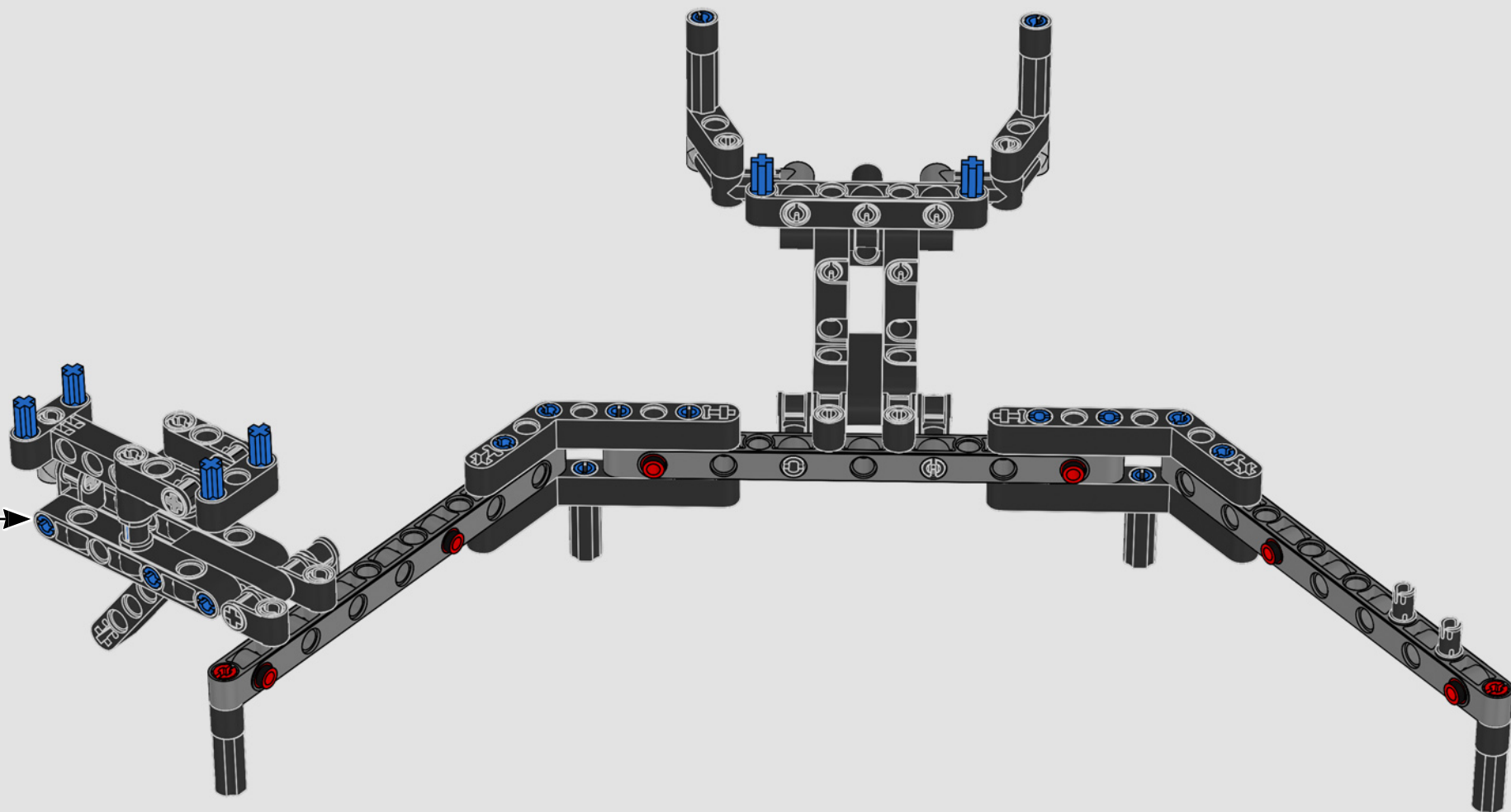
461



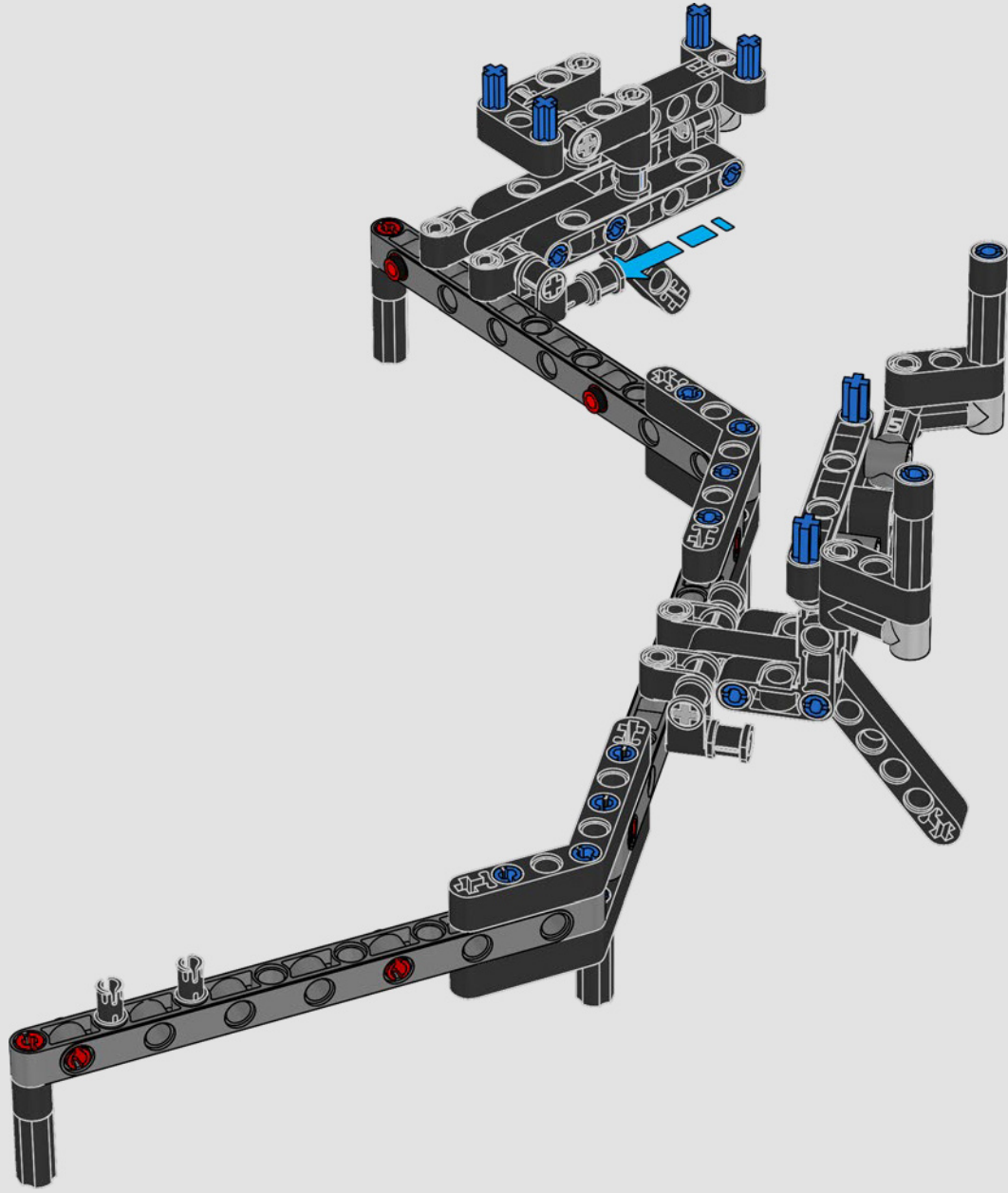
462

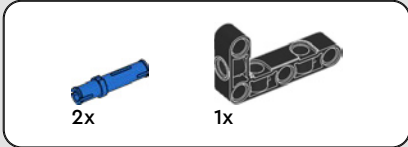
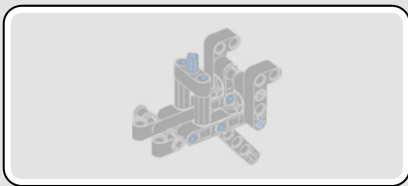


463

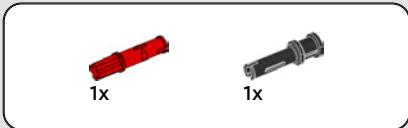
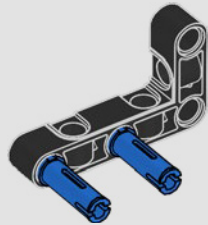


464

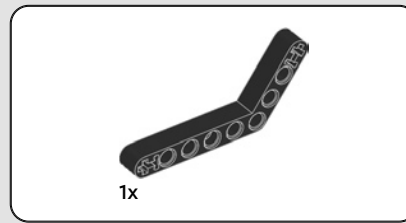
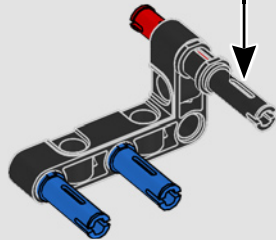
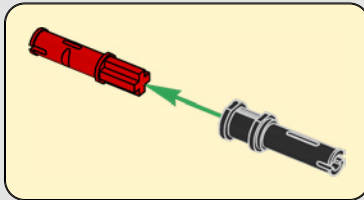




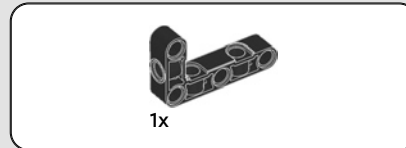
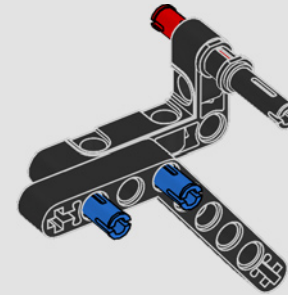
465



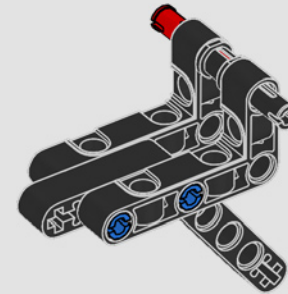
466

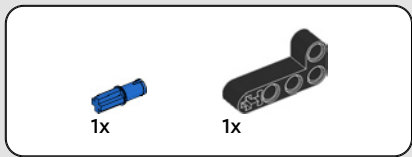


467

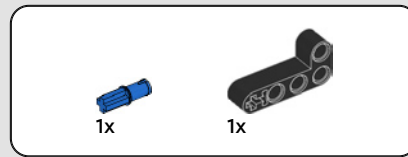
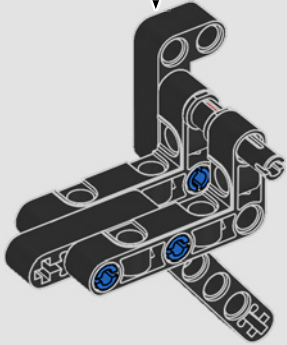
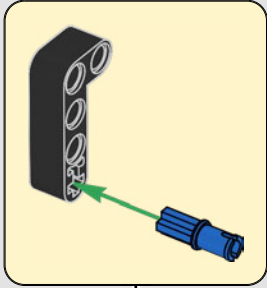


468

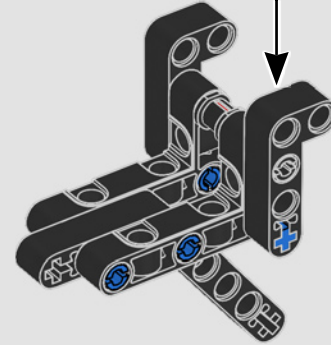
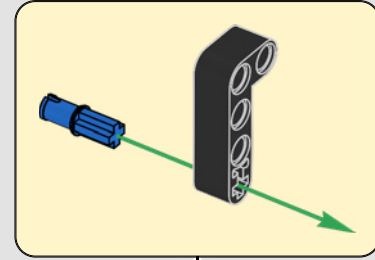


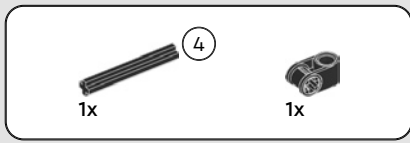


469

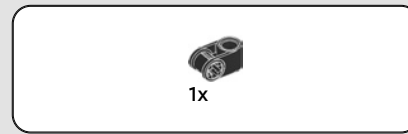
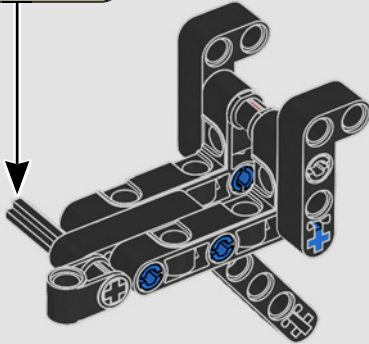
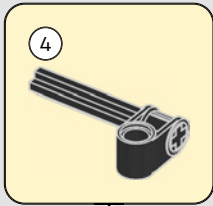


470

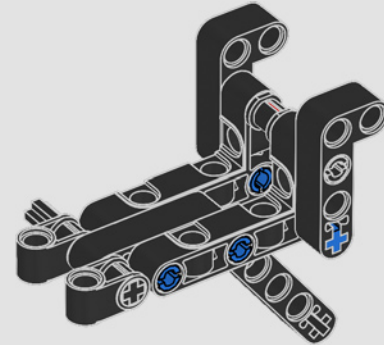


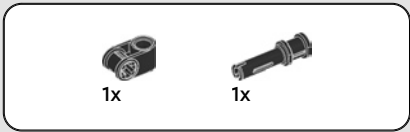


471

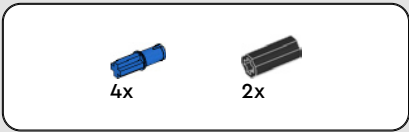
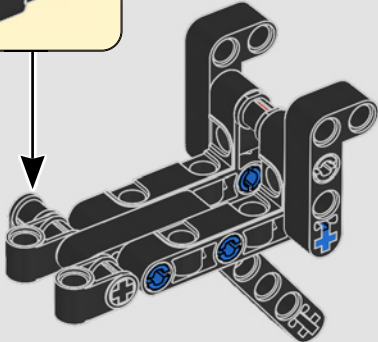


472

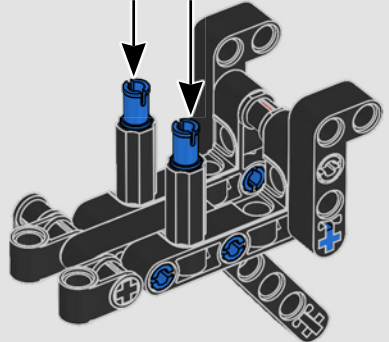
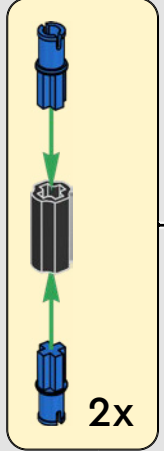


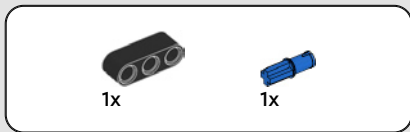


473

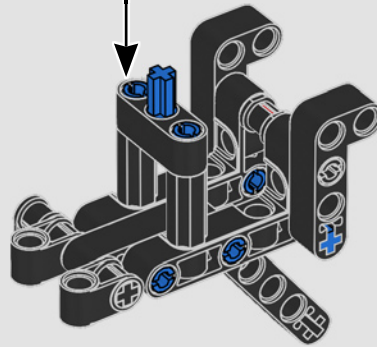
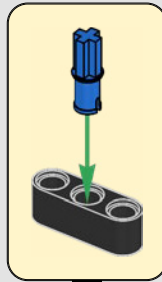


474

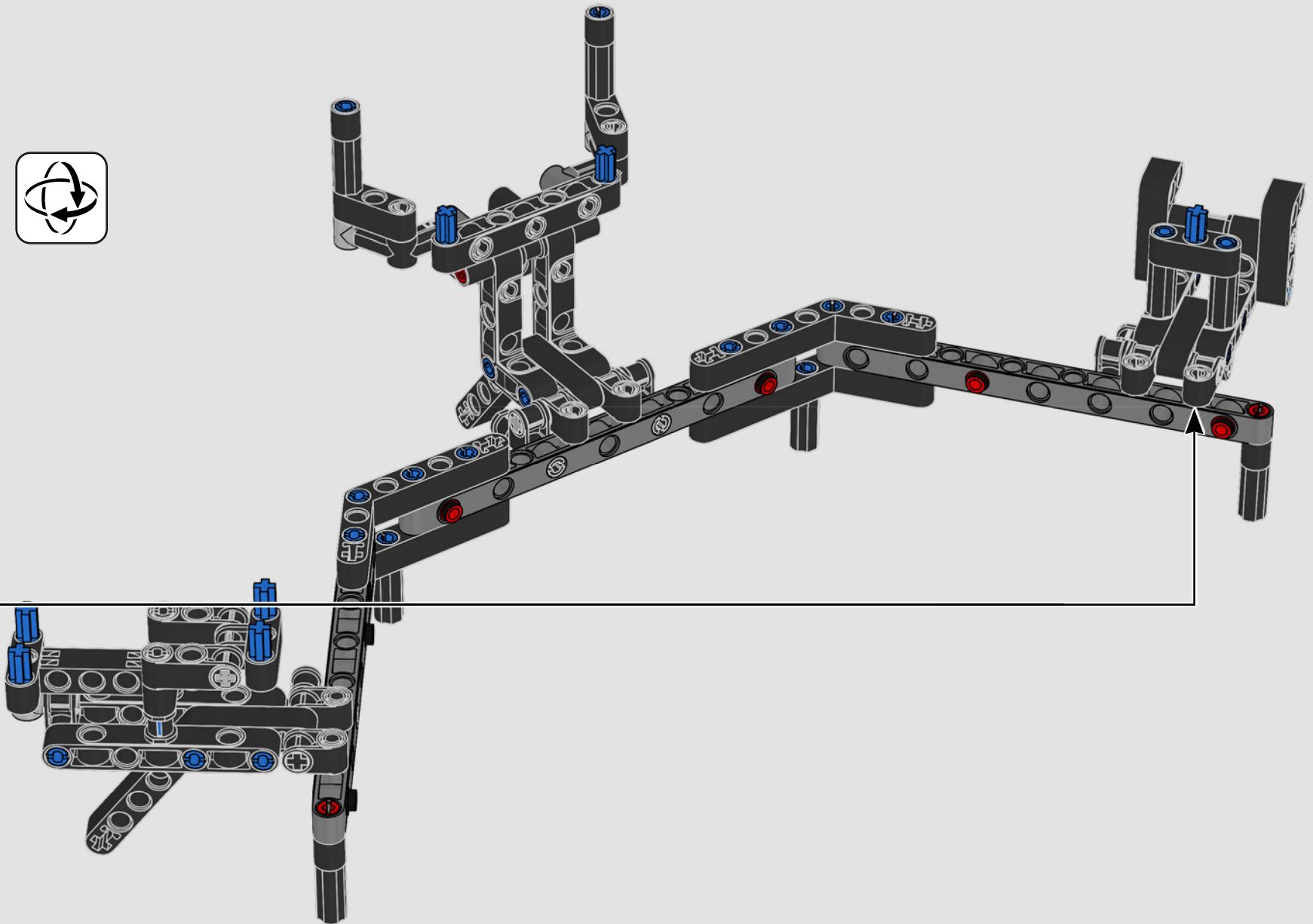




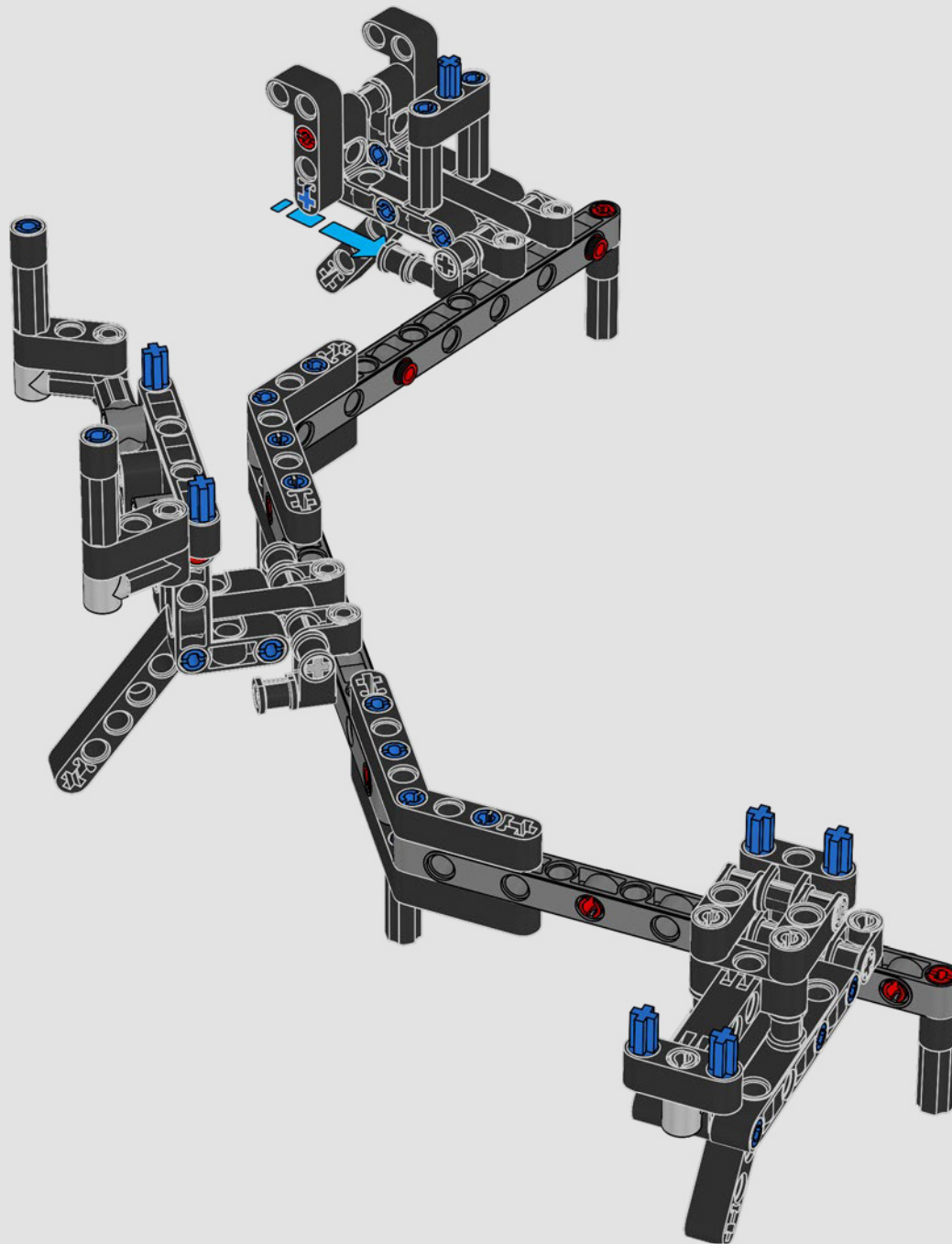
475



476



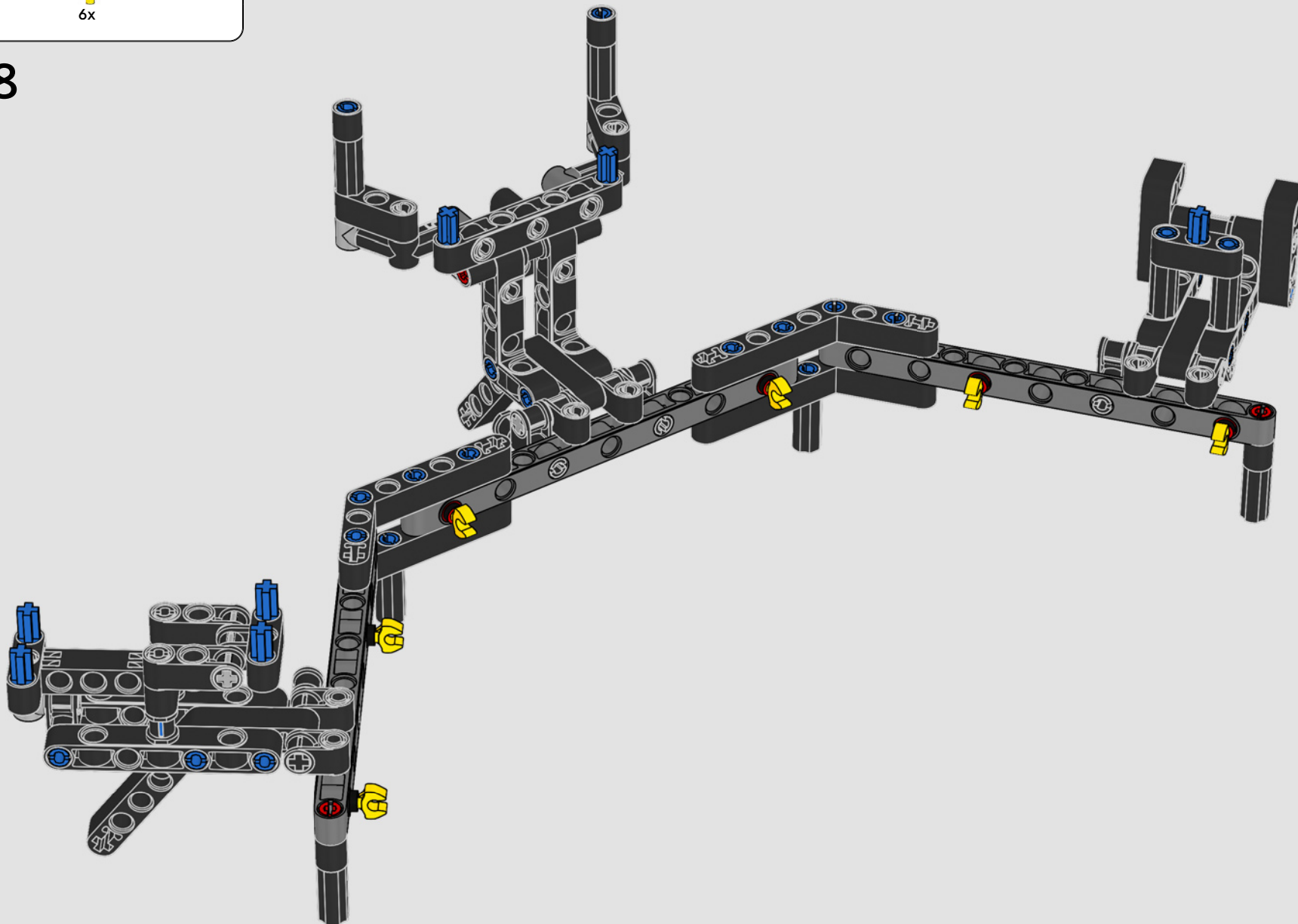
477

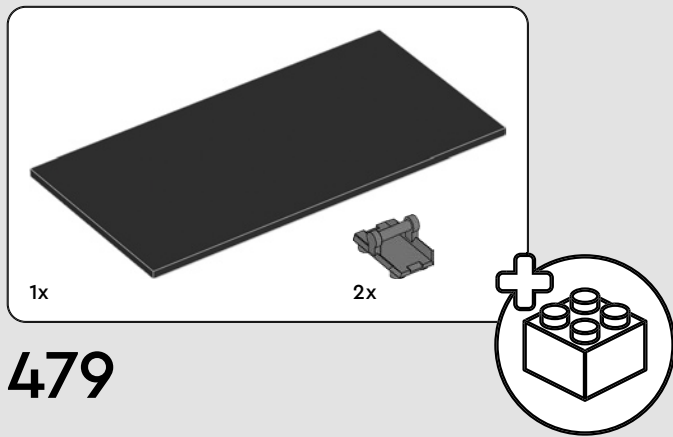




6x

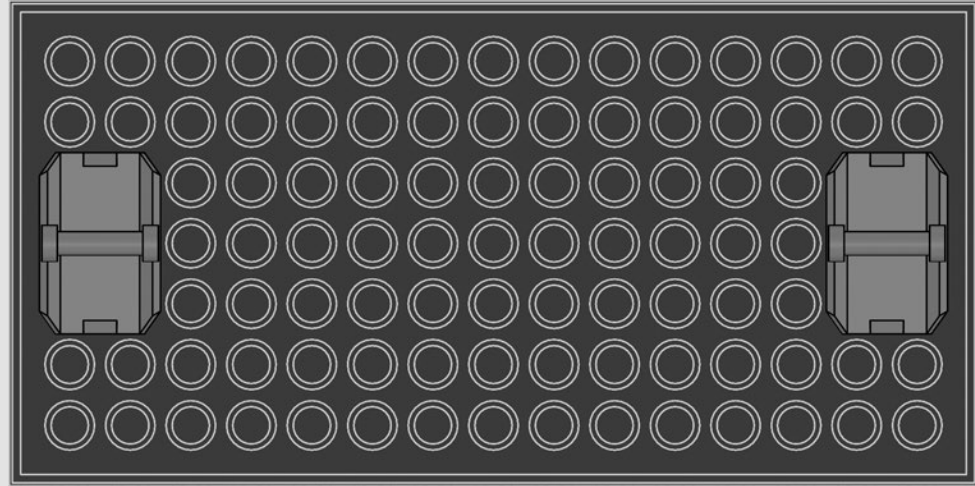
478





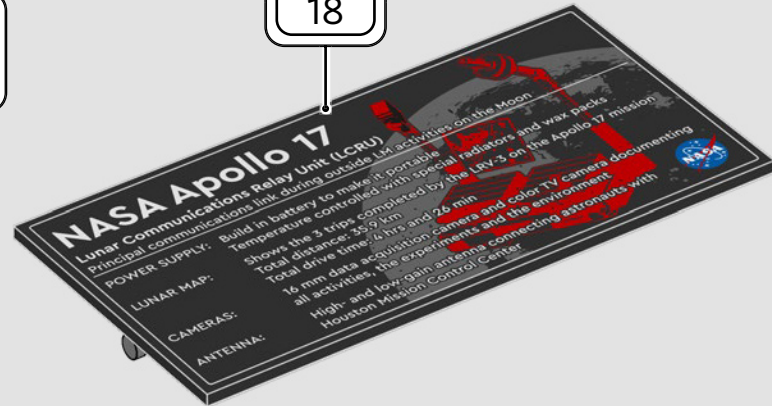
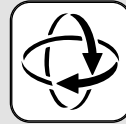
479

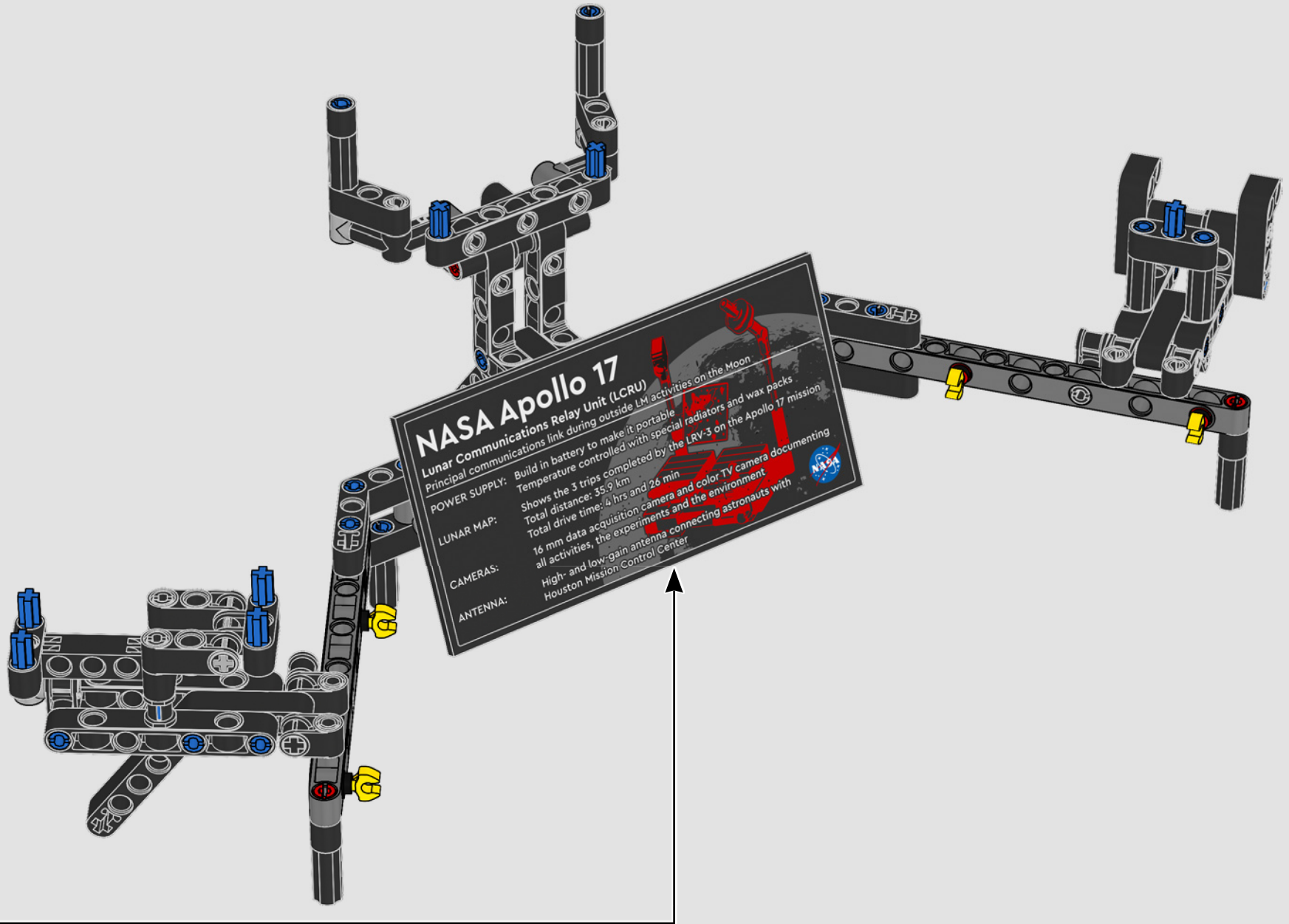
1

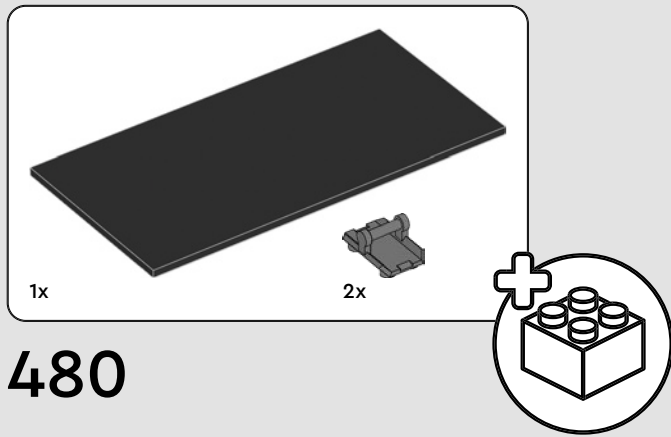


1:1

2

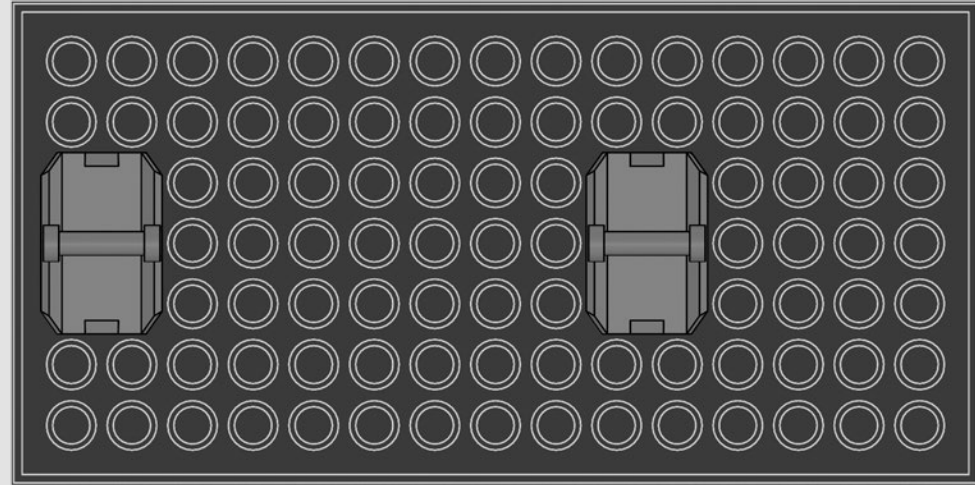






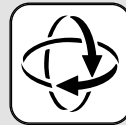
480

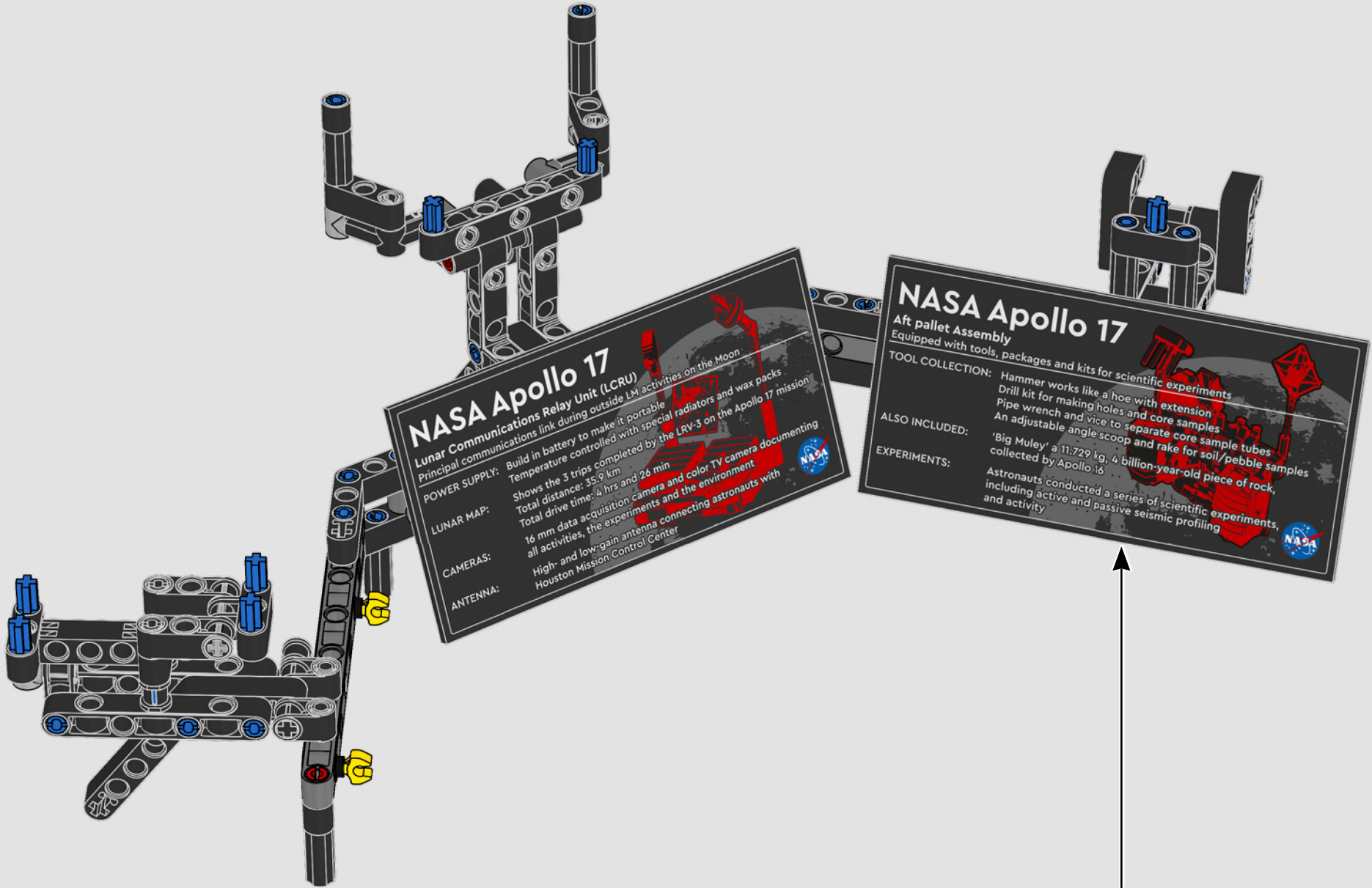
1



1:1

2





NASA Apollo 17

Lunar Communications Relay Unit (LCRU)
 Principal communications link during outside LM activities on the Moon

POWER SUPPLY: Build in battery to make it portable
 Temperature controlled with special radiators and wax packs

LUNAR MAP: Shows the 3 trips completed by the LRV-3 on the Apollo 17 mission
 Total distance: 35.9 km
 Total drive time: 4 hrs and 26 min

CAMERAS: 16 mm data acquisition camera and color TV camera documenting all activities, the experiments and the environment

ANTENNA: High- and low-gain antenna connecting astronauts with Houston Mission Control Center

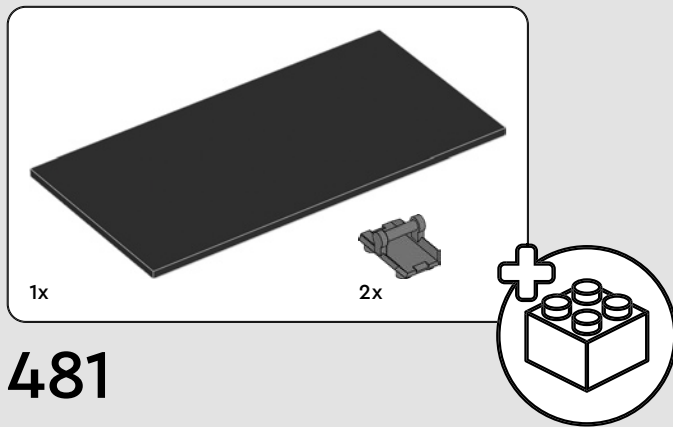
NASA Apollo 17

Aft pallet Assembly
 Equipped with tools, packages and kits for scientific experiments

TOOL COLLECTION: Hammer works like a hoe with extension
 Drill kit for making holes and core samples
 Pipe wrench and vice to separate core sample tubes
 An adjustable angle scoop and rake for soil/pebble samples

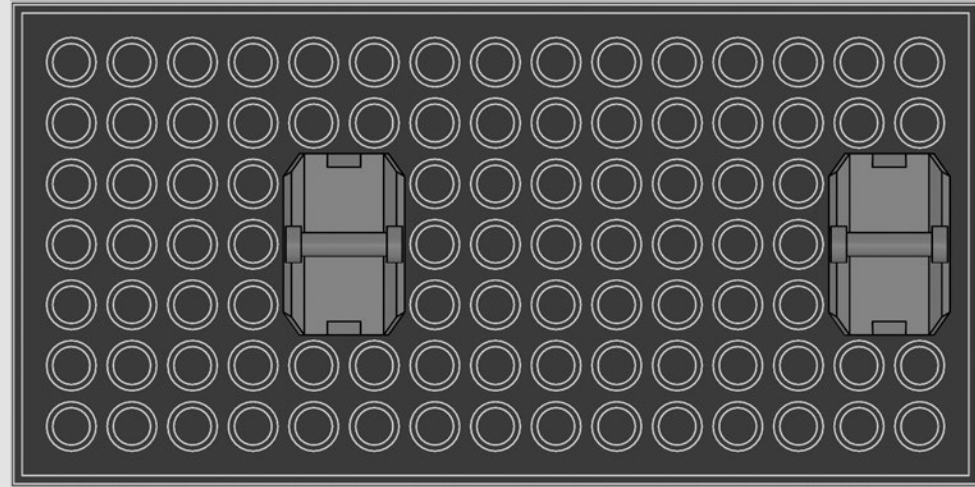
ALSO INCLUDED: 'Big Mule' a 11.729 kg, 4 billion-year-old piece of rock, collected by Apollo 16

EXPERIMENTS: Astronauts conducted a series of scientific experiments, including active and passive seismic profiling and activity



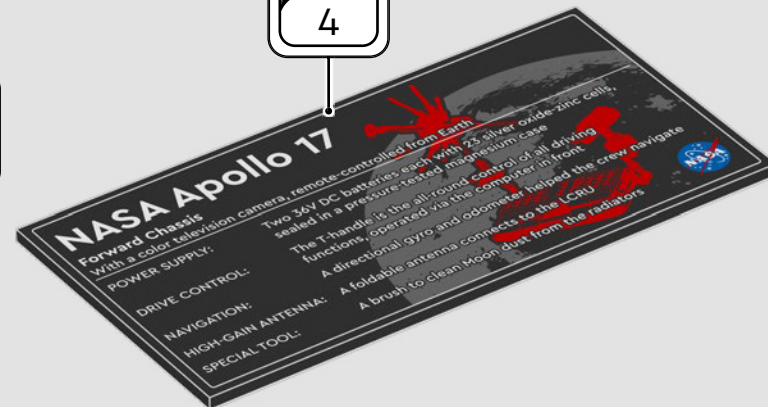
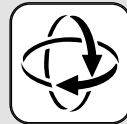
481

1



1:1

2





NASA Apollo 17

Forward Chassis

With a color television camera, remote-controlled from Earth

POWER SUPPLY: Two 36V DC batteries each with 23 silver oxide-zinc cells, sealed in a pressure-tested magnesium case

DRIVE CONTROL: The T-handle is the all-round control of all driving functions, operated via the computer in front

NAVIGATION: A directional gyro and odometer helped the crew navigate

HIGH-GAIN ANTENNA: A foldable antenna connects to the LCRU

SPECIAL TOOL: A brush to clean Moon dust from the radiators

NASA Apollo 17

Lunar Communications Relay Unit (LCRU)

Principal communications link during outside LM activities on the Moon

POWER SUPPLY: Build in battery to make it portable
Temperature controlled with special radiators and wax packs

LUNAR MAP: Shows the 3 trips completed with special radiators and wax packs
Total distance: 35,9 km
Total drive time: 4 hrs and 26 min

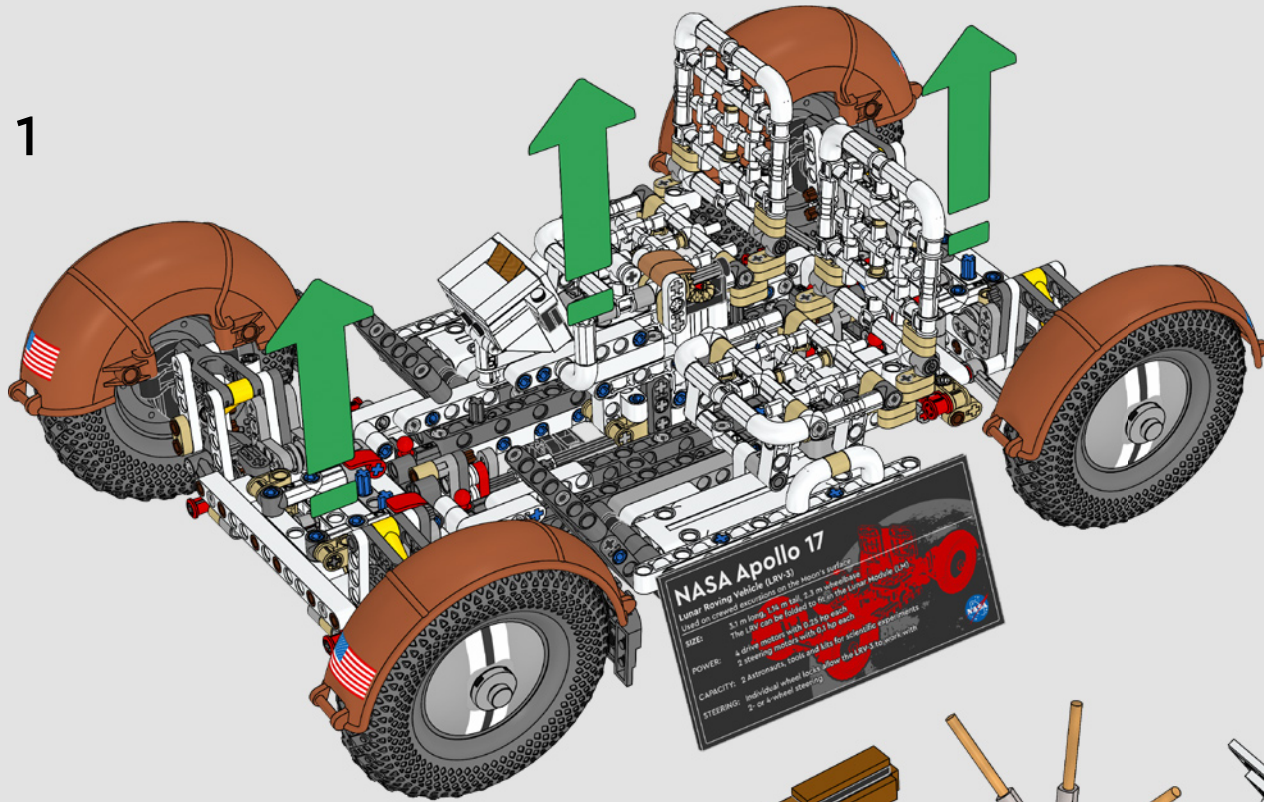
CAMERAS: 16 mm data acquisition camera and color TV camera documenting all activities, the experiments and the environment

ANTENNA: High- and low-gain antenna connecting astronauts with Houston Mission Control Center

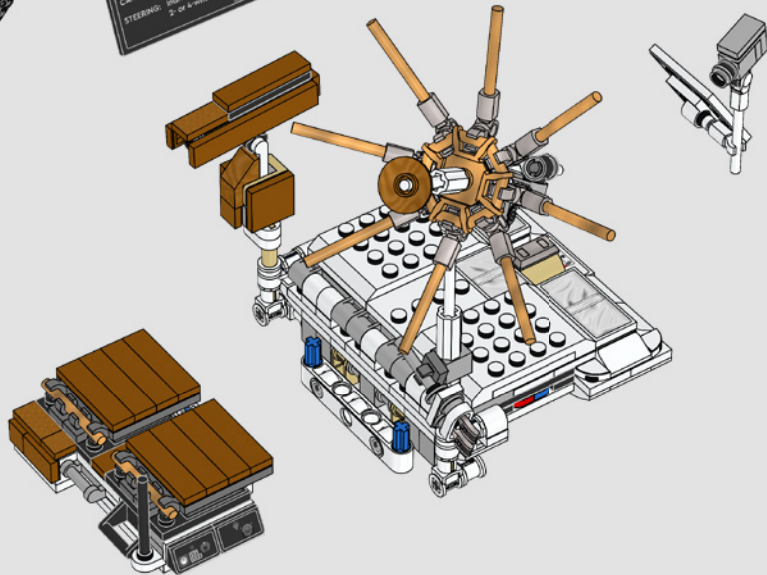
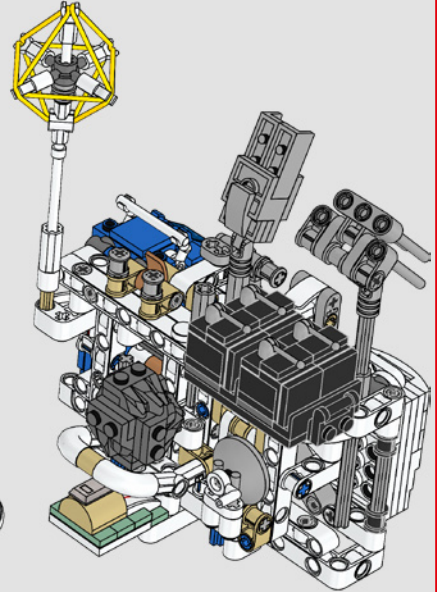
NASA Apollo 17

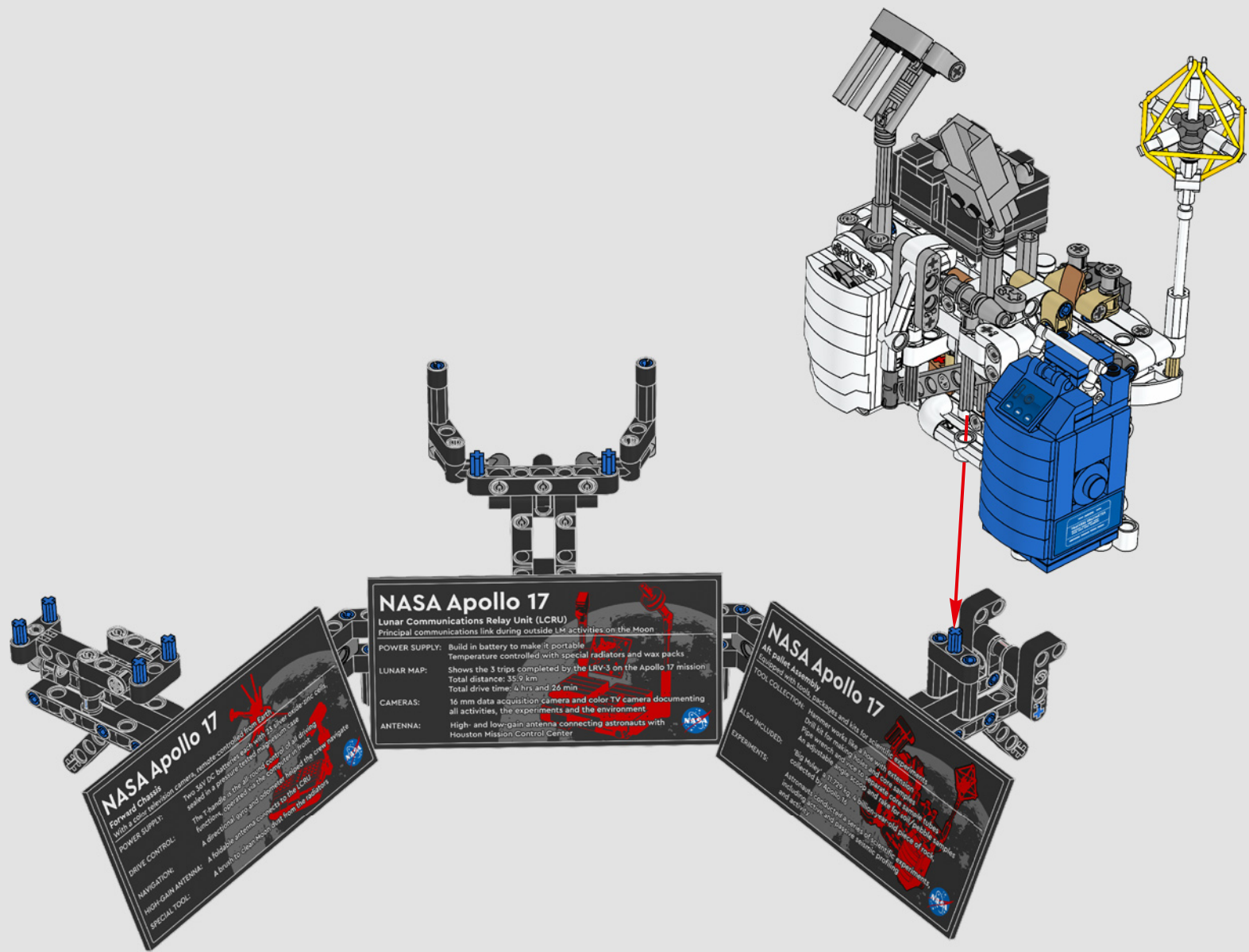
... ..

1



NASA Apollo 17
Lunar Roving Vehicle (LRV-5)
Used on several missions on the Moon's surface.
SIZE: 3.1 m long, 1.14 m wide, 2.3 m wheelbase
The LRV can be loaded to full. The Lunar Module (LM) LRV can be loaded to full. The Lunar Module (LM) LRV can be loaded to full.
POWER: 4 drive motors with 0-63 hp each
3 steering motors with 63 hp each
CAPACITY: 2 Astronauts, tools and bags for scientific experiments
STEERING: Individual wheel locks for the LRV to park with 0- or 4-wheel steering.





NASA Apollo 17
Forward Chassis
 Forward chassis with a color television camera, remote controlled from Earth. Two 3AH DC batteries, each with 24 three-watt zinc cells, sealed in a pressure vessel, magnesium case.
 The 1 handle is the air-rod control of all driving functions, operated via the computer air-rod.
 A directional arm and camera mounted the crew air-rod.
 A foldable antenna connected to the LCRU.
 A built-in clock, powered due from the radiators.

POWER SUPPLY: Two 3AH DC batteries, each with 24 three-watt zinc cells, sealed in a pressure vessel, magnesium case.

DRIVE CONTROL: The 1 handle is the air-rod control of all driving functions, operated via the computer air-rod.

NAVIGATION: A directional arm and camera mounted the crew air-rod.

HIGH-GAIN ANTENNA: A foldable antenna connected to the LCRU.

SPECIAL TOOL: A built-in clock, powered due from the radiators.

NASA Apollo 17
Lunar Communications Relay Unit (LCRU)
 Principal communications link during outside LM activities on the Moon.

POWER SUPPLY: Build in battery to make it portable. Temperature controlled with special radiators and wax packs. Shows the 3 trips completed by the LRV-3 on the Apollo 17 mission.

LUNAR MAP: Total distance: 35.9 km. Total drive time: 4 hrs and 26 min.

CAMERAS: 16 mm data acquisition camera and color TV camera documenting all activities, the experiments and the environment.

ANTENNA: High- and low-gain antenna connecting astronauts with Houston Mission Control Center.

NASA Apollo 17
Air Pallet Assembly
 Equipped with tools, packages and kits for scientific experiments.

TOOL COLLECTION: Hammer, wrench, screwdriver, pliers, and other tools for scientific experiments.

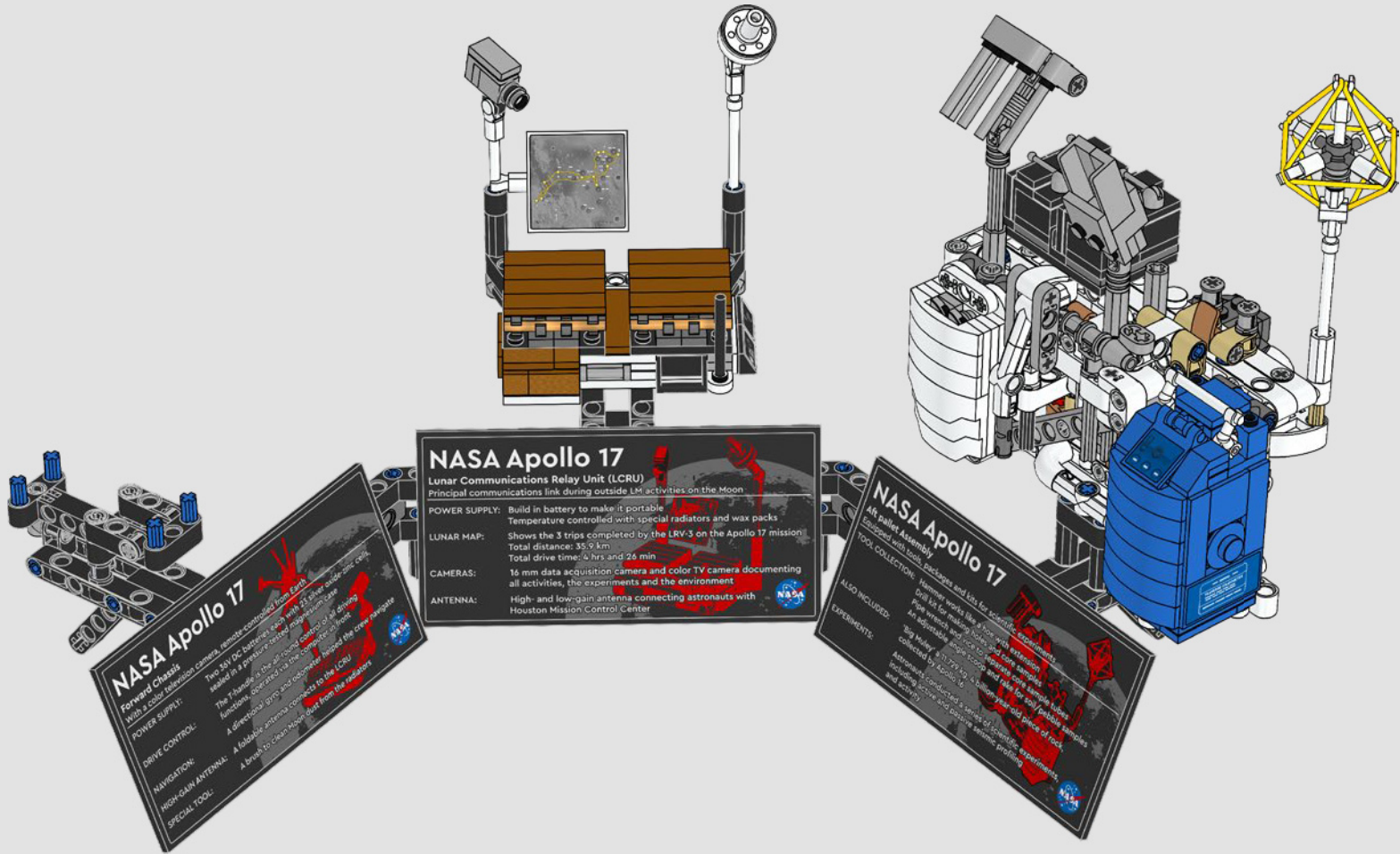
ALSO INCLUDED: Hammer, wrench, screwdriver, pliers, and other tools for scientific experiments.

EXPERIMENTS: Hammer, wrench, screwdriver, pliers, and other tools for scientific experiments.

NASA Apollo 17
Forward Chassis
 With a color television camera, remote-controlled from Earth.
 Two 3V/DC batteries each with 35 silver-zinc cells, sealed in a pressure-resistant magnesium case.
 The Transponder in the airlock, control of driving functions, operated via the computer on Earth.
 A directional gyroscope and odometer helped the crew navigate.
 A directional antenna connects to the LCRU.
 A hand-to-hand touch dist from the radiator.

NASA Apollo 17
Lunar Communications Relay Unit (LCRU)
 Principal communications link during outside LM activities on the Moon.
POWER SUPPLY: Build in battery to make it portable. Temperature controlled with special radiators and wax packs.
LUNAR MAP: Shows the 3 trips completed by the LRV-3 on the Apollo 17 mission. Total distance: 35.9 km. Total drive time: 4 hrs and 26 min.
CAMERAS: 16 mm data acquisition camera and color TV camera documenting all activities, the experiments and the environment.
ANTENNA: High- and low-gain antenna connecting astronauts with Houston Mission Control Center.

NASA Apollo 17
AR Dolerite Assembly
 Enclosed with tools.
TOOLS COLLECTION: Hammer, wrench, file, a power drill, pipe wrench, wire cutters, and cone sockets. An adjustable wrench, screwdriver, and one sample bag. A 1/2" x 1/4" x 1/4" ball-bearing old piece of rock.
EXPERIMENTS: Astronauts conducted a series of scientific experiments including drive and distance seismic profiling.



NASA Apollo 17
Forward Chassis
 Two 3V DC batteries (not with 25 other side-entrance cables in a pressure vessel) and maximum case
 The Phasid in the self-vented control of driving
 functions, control on the computer unit, and
 A diagonal antenna connects to the LCRU
 A brush to clean Moon dust from the radiator

NASA Apollo 17
Lunar Communications Relay Unit (LCRU)
 Principal communications link during outside LM activities on the Moon

POWER SUPPLY: Build in battery to make it portable
 Temperature controlled with special radiators and wax packs

LUNAR MAP: Shows the 3 trips completed by the LRV-3 on the Apollo 17 mission
 Total distance: 35.9 km
 Total drive time: 4 hrs and 26 min

CAMERAS: 16 mm data acquisition camera and color TV camera documenting all activities, the experiments and the environment

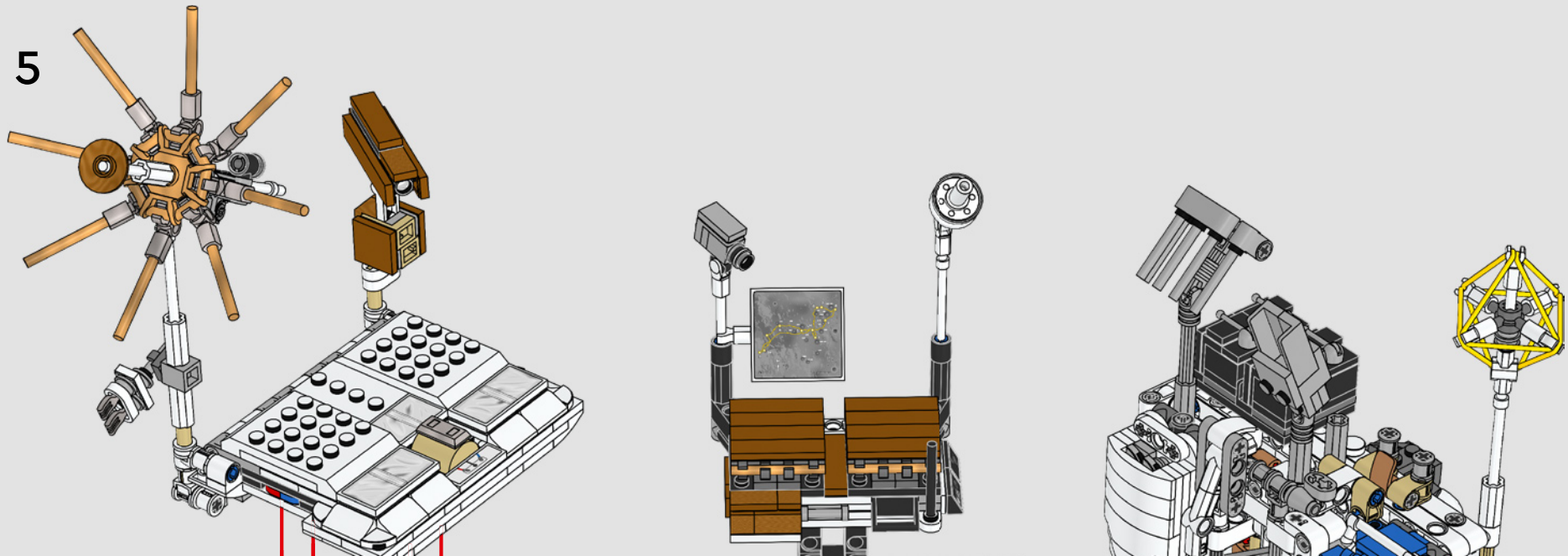
ANTENNA: High- and low-gain antenna connecting astronauts with Houston Mission Control Center

NASA Apollo 17
Alt. pallet Assembly
 Equipped with tools, packages and kits for scientific experiments

TOOL COLLECTION: Hammer works like a hammer with extension
 pin bit for making holes in rock and core samples
 pipe wrench and nut driver
 An adjustable pipe cutter and ratchet for soil sample tubes
 Astronauts collected 117.7 kg of lunar material
 including 38.1 kg of lunar rock and 28.3 kg of lunar soil
 and 51.3 kg of lunar regolith

EXPERIMENTS: Conducted a series of scientific experiments
 including active and passive seismic monitoring

5



NASA Apollo 17

Forward Grabs
This 3-way DC battery connector with 31 three-prong pins is used to connect the LCRU to the LM's power system. It is a 3-way DC battery connector with 31 three-prong pins. The 1 handle is the 3-prong connector for the LM's power system. The 2 handles are the 3-prong connectors for the LM's power system.

POWER SUPPLY: This 3-way DC battery connector with 31 three-prong pins is used to connect the LCRU to the LM's power system.

DRIVE CONTROL: A directional gyro and compass located behind the eye magazine.

NAVIGATION: A foldable antenna that connects to the LCRU.

HIGH-GAIN ANTENNA: A broom to clean dust from the radiators.

SPECIAL TOOL:

NASA Apollo 17

Lunar Communications Relay Unit (LCRU)
Principal communications link during outside LM activities on the Moon

POWER SUPPLY: Build in battery to make it portable. Temperature controlled with special radiators and wax packs.

LUNAR MAP: Shows the 3 trips completed by the LRV-3 on the Apollo 17 mission. Total distance: 35.9 km. Total drive time: 6 hrs and 26 min.

CAMERAS: 16 mm data acquisition camera and color TV camera documenting all activities, the experiments and the environment.

ANTENNA: High- and low-gain antennas connecting astronauts with Houston Mission Control Center.

NASA Apollo 17

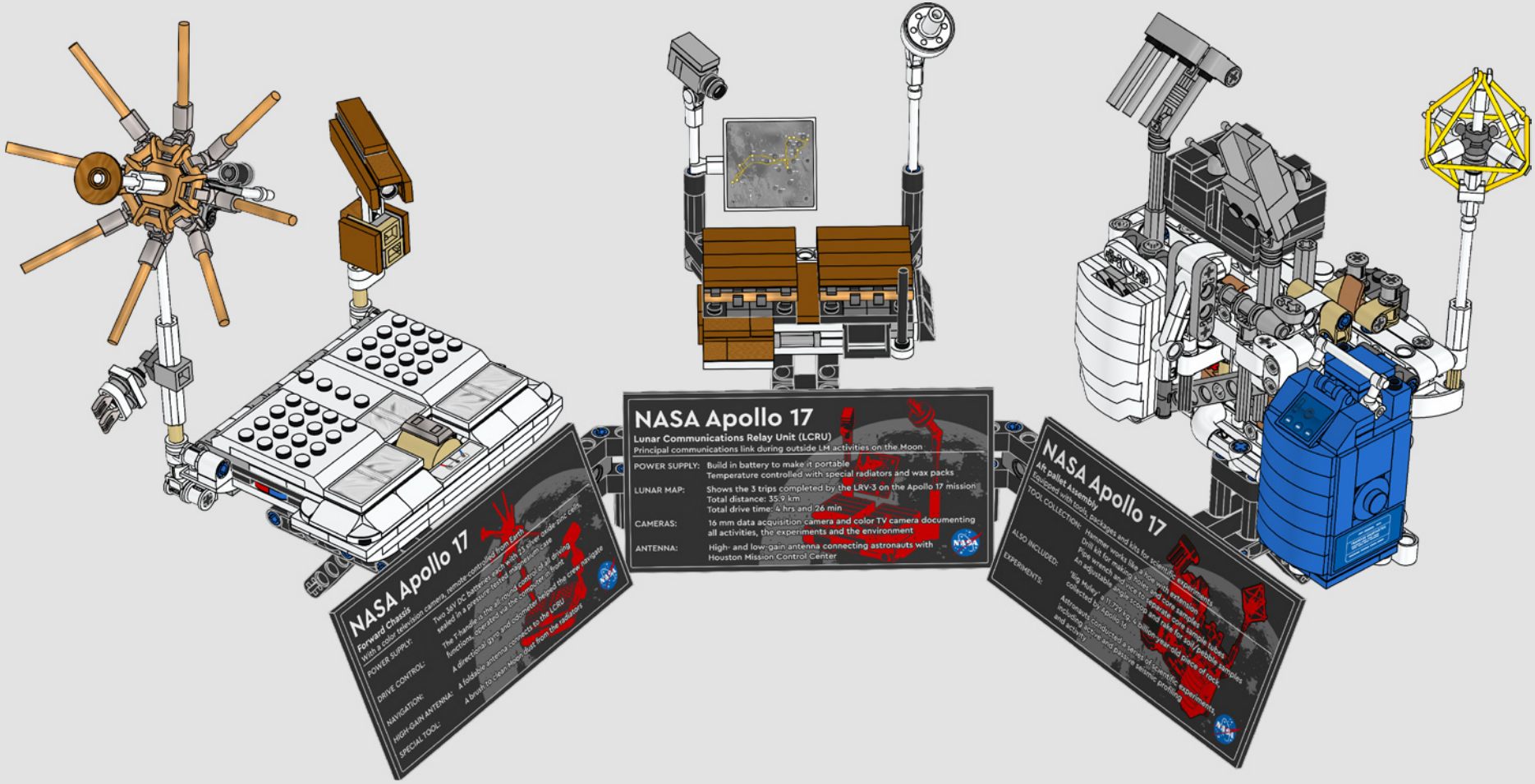
4x pallet Assembly
Equip with tool, packages and kits for scientific experiments

TOOL COLLECTION: Hammer, work file, utility knife with extension, drill kit for making holes, and cone sockets. An adjustable angle scope and eye for soil/puddle samples collected by Apollo 17. A 1/2" x 1/2" x 1/2" aluminum plate and a piece of rock. A 1/2" x 1/2" x 1/2" aluminum plate and a piece of rock. A 1/2" x 1/2" x 1/2" aluminum plate and a piece of rock.

ALSO INCLUDED: Hammer, work file, utility knife with extension, drill kit for making holes, and cone sockets. An adjustable angle scope and eye for soil/puddle samples collected by Apollo 17. A 1/2" x 1/2" x 1/2" aluminum plate and a piece of rock. A 1/2" x 1/2" x 1/2" aluminum plate and a piece of rock.

EXPERIMENTS: Astronauts conducted a series of scientific experiments including a picture and a pressure sensitive printing.





NASA Apollo 17
Forward Chassis
 Principal communications link during outside LM activities on the Moon

POWER SUPPLY: Build in battery to make it portable. Temperature controlled with special radiators and wax packs

LUNAR MAP: Shows the 3 trips completed by the LRV-3 on the Apollo 17 mission. Total distance: 35.9 km. Total drive time: 4 hrs and 26 min

CAMERAS: 16 mm data acquisition camera and color TV camera documenting all activities, the experiments and the environment

ANTENNA: High- and low-gain antenna connecting astronauts with Houston Mission Control Center

POWER CONTROL: The 24V DC batteries each with 12 other usable 200 cells. Held in a weather sealed instrument case

NAVIGATION: The handle is the ground control of all driving functions, operated via the computer in the LCRU

HIGH-GAIN ANTENNA: A foldable antenna connects to the LCRU

SPECIAL TOOL: A board to clean moisture from the radiators

NASA Apollo 17
Lunar Communications Relay Unit (LCRU)
 Principal communications link during outside LM activities on the Moon

POWER SUPPLY: Build in battery to make it portable. Temperature controlled with special radiators and wax packs

LUNAR MAP: Shows the 3 trips completed by the LRV-3 on the Apollo 17 mission. Total distance: 35.9 km. Total drive time: 4 hrs and 26 min

CAMERAS: 16 mm data acquisition camera and color TV camera documenting all activities, the experiments and the environment

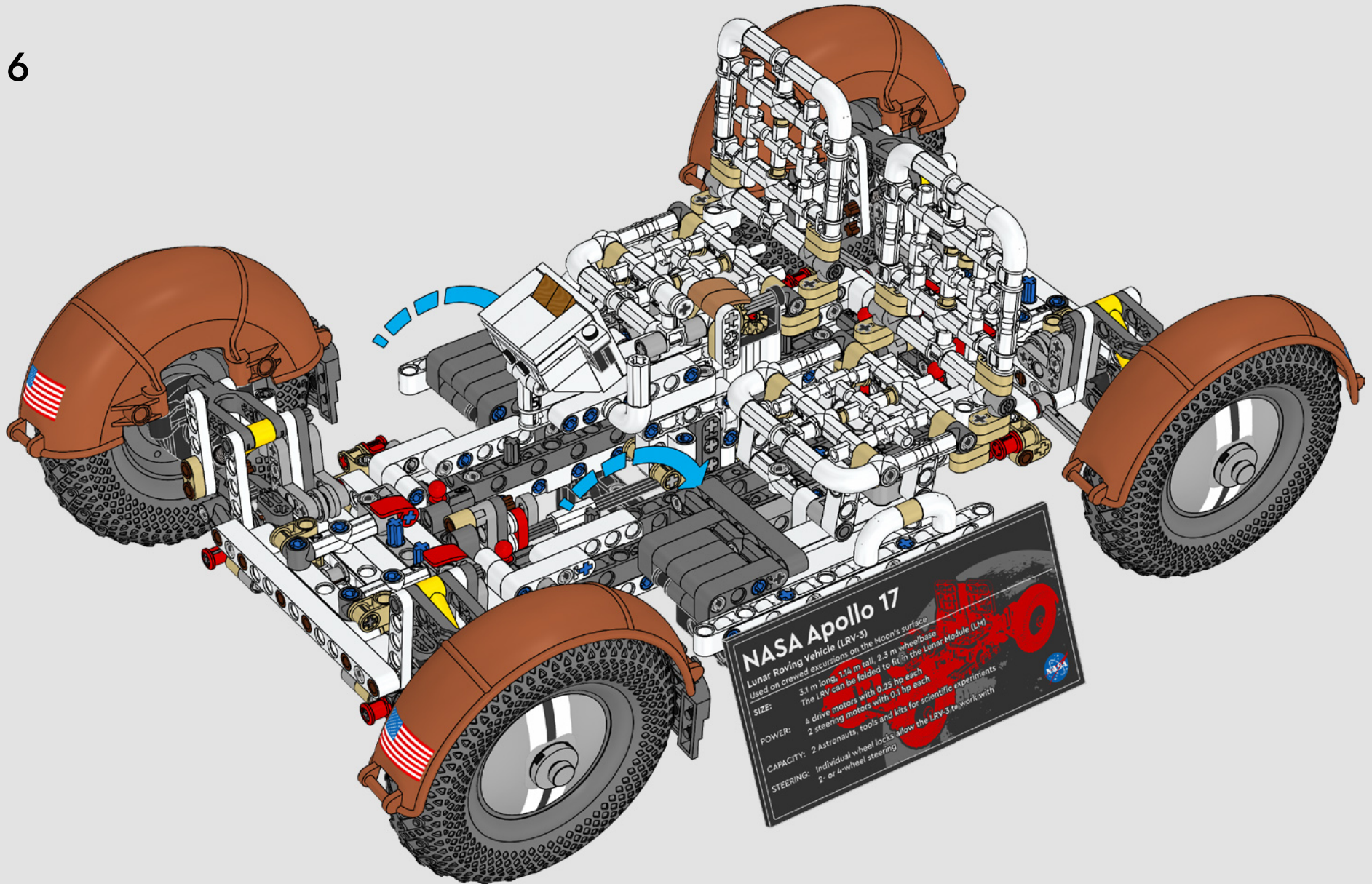
ANTENNA: High- and low-gain antenna connecting astronauts with Houston Mission Control Center

NASA Apollo 17
4th pallet Assembly
 Equipped with tools, packages and kits for scientific experiments

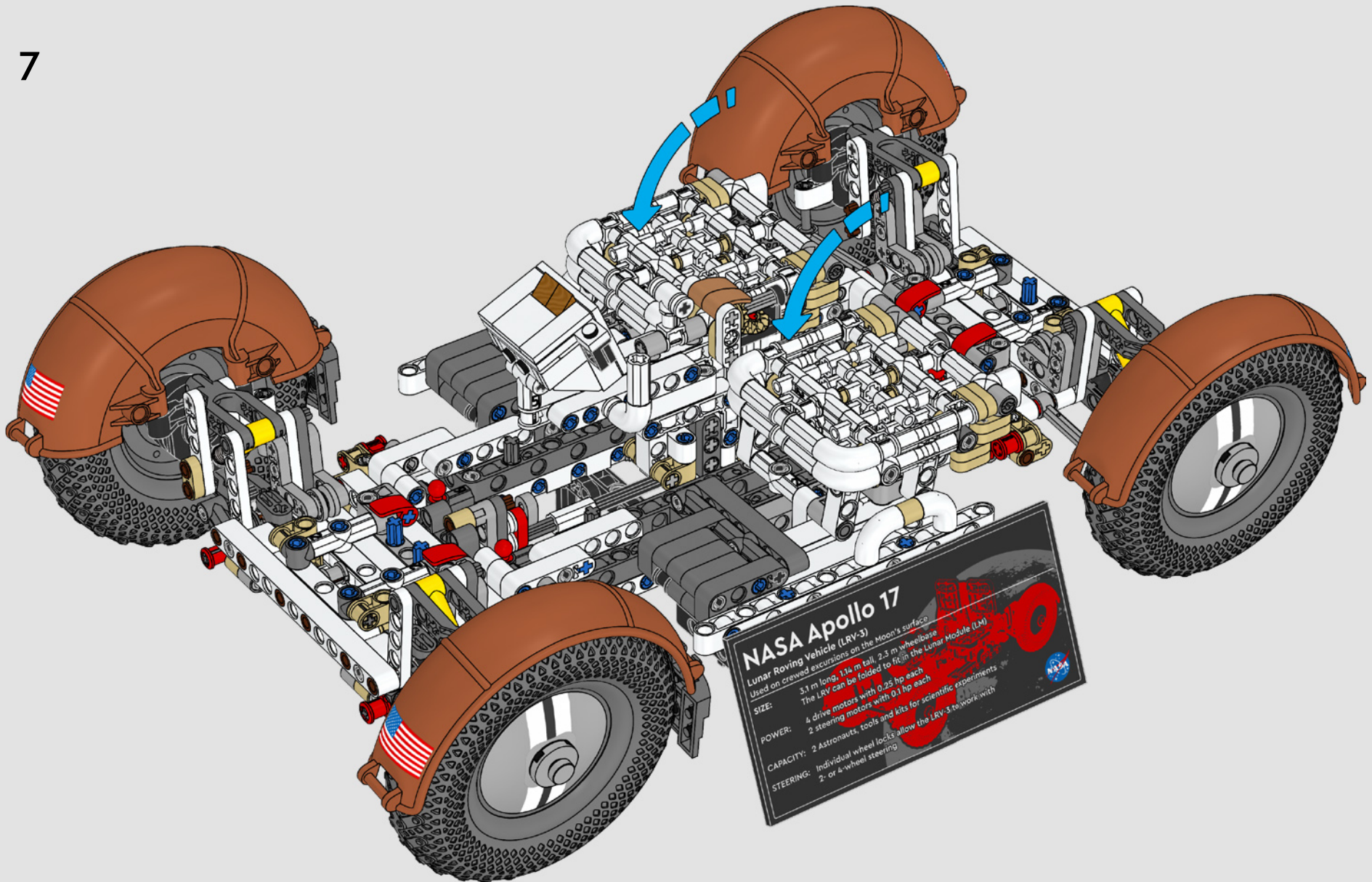
ALSO INCLUDED: Hammer work like flow into extension. Drill kit for making holes and core samples. Power source and pneumatic tools. An adjustable angle scope. A set of 1000 pieces of rock. A set of 1000 pieces of rock. A set of 1000 pieces of rock. A set of 1000 pieces of rock.

EXPERIMENTS: Big hole 111773 Top. Labeled and piece of rock. A set of 1000 pieces of rock. A set of 1000 pieces of rock. A set of 1000 pieces of rock. A set of 1000 pieces of rock.

6



7



NASA Apollo 17
Lunar Roving Vehicle (LRV-3)
Used on crewed excursions on the Moon's surface

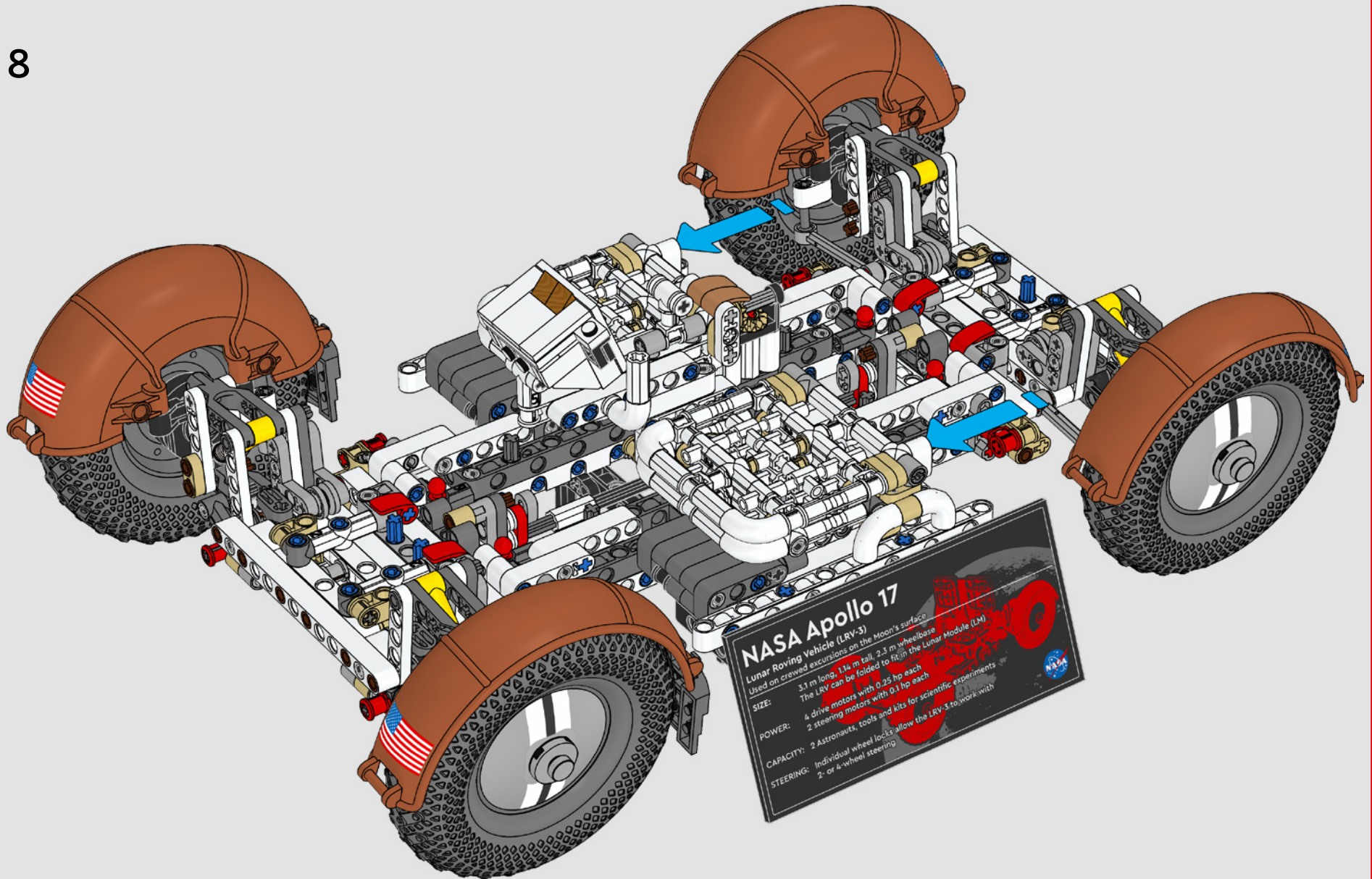
SIZE: 3.1 m long, 1.14 m tall, 2.3 m wheelbase
The LRV can be folded to fit in the Lunar Module (LM)

POWER: 4 drive motors with 0.25 hp each
2 steering motors with 0.1 hp each

CAPACITY: 2 Astronauts, tools and kits for scientific experiments

STEERING: Individual wheel locks allow the LRV-3 to work with 2- or 4-wheel steering

8



NASA Apollo 17
Lunar Roving Vehicle (LRV-3)
Used on crewed excursions on the Moon's surface

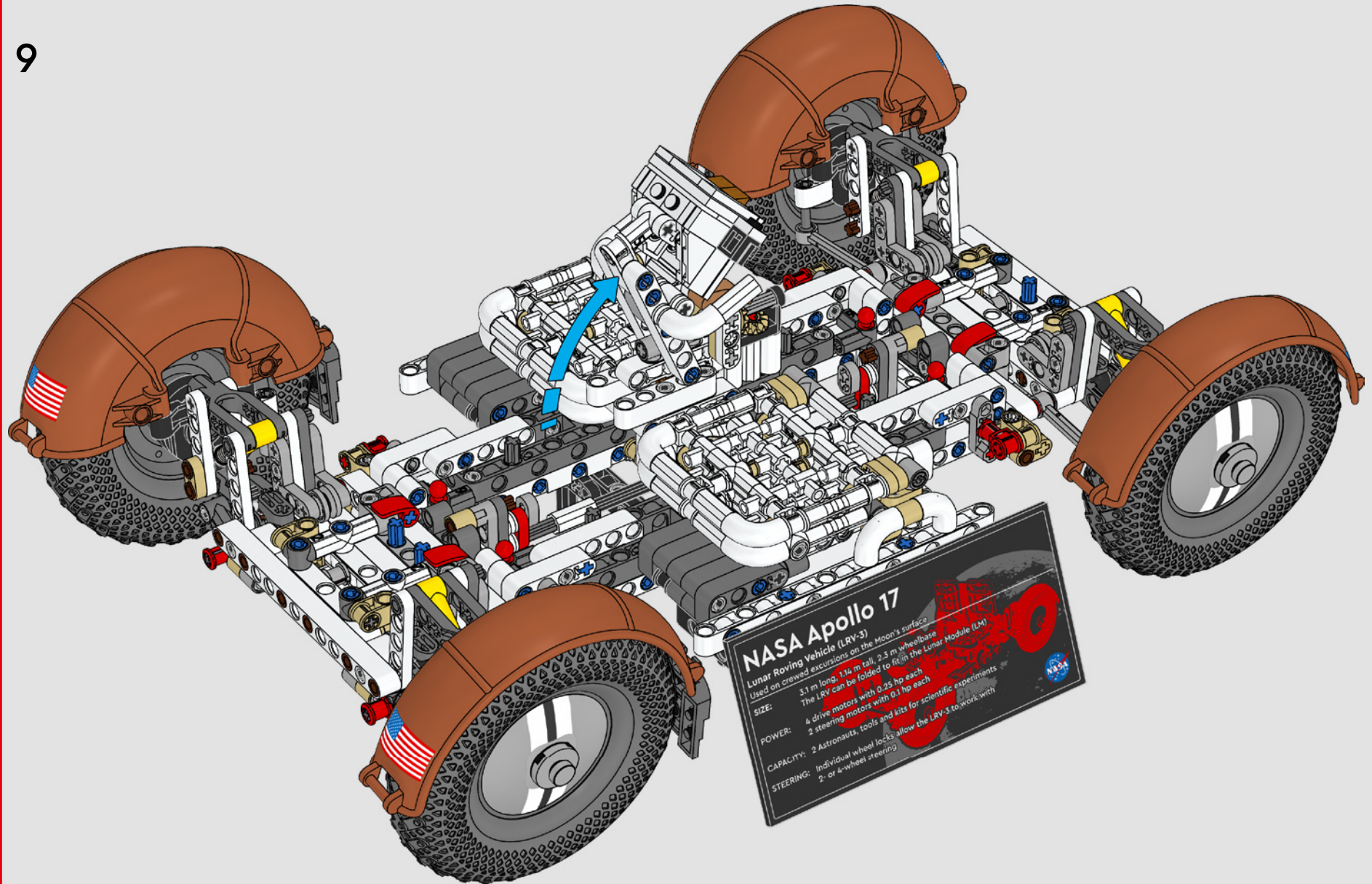
SIZE: 3.1 m long, 1.4 m tall, 2.5 m wheelbase
The LRV can be folded to fit in the Lunar Module (LM)

POWER: 4 drive motors with 0.25 hp each
2 steering motors with 0.1 hp each

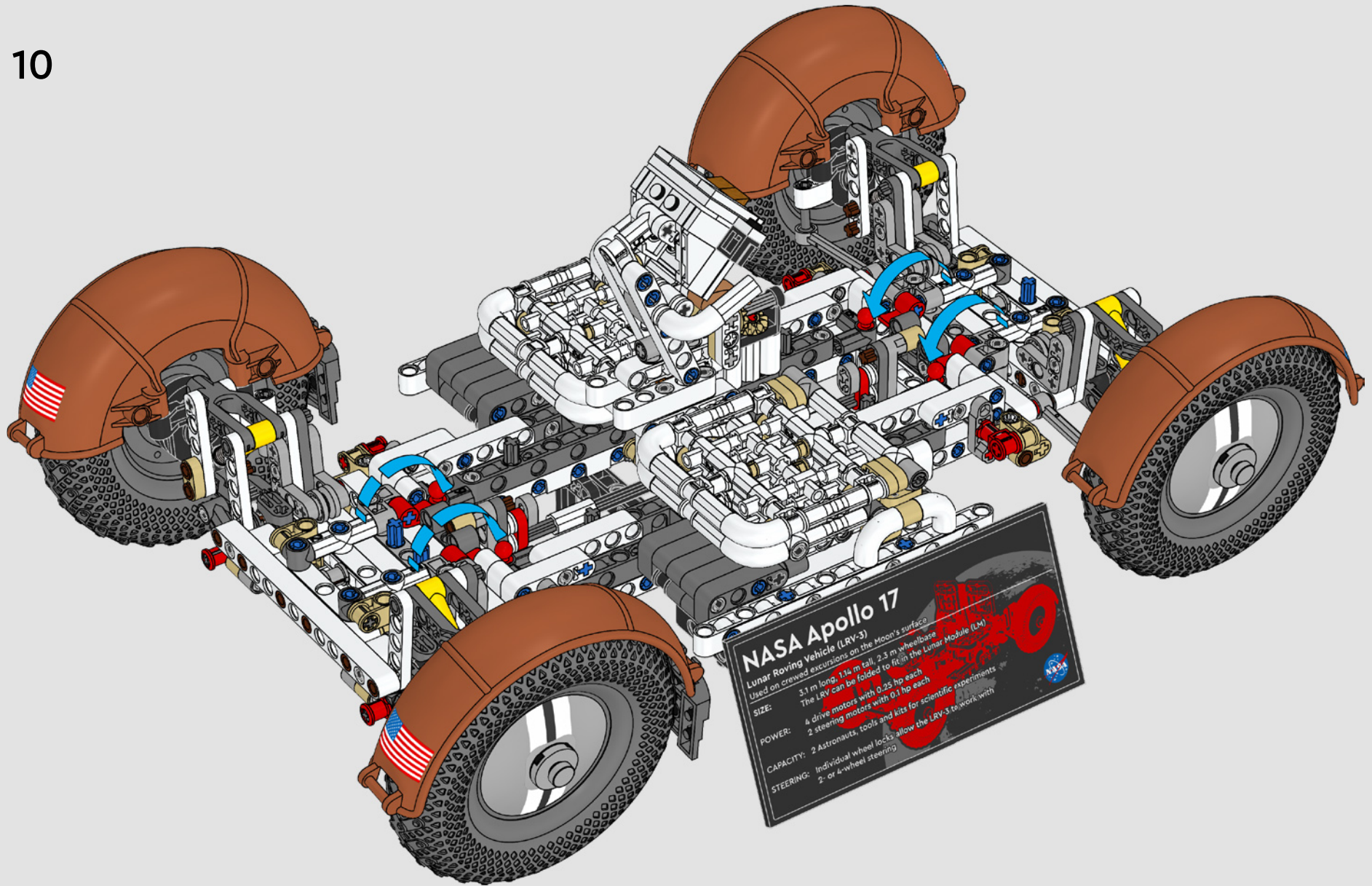
CAPACITY: 2 Astronauts, tools and kits for scientific experiments

STEERING: Individual wheel locks allow the LRV-3 to work with 2- or 4-wheel steering

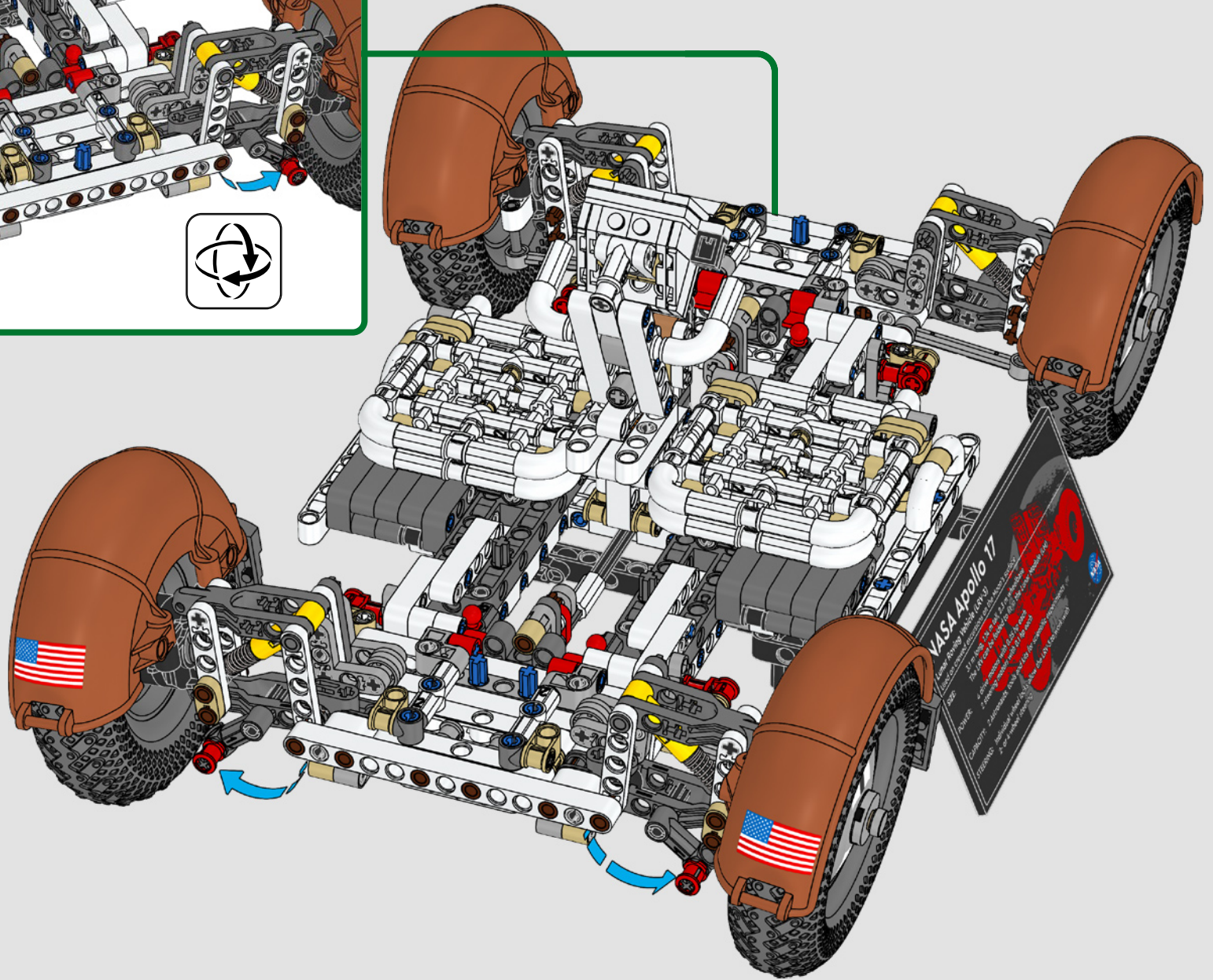
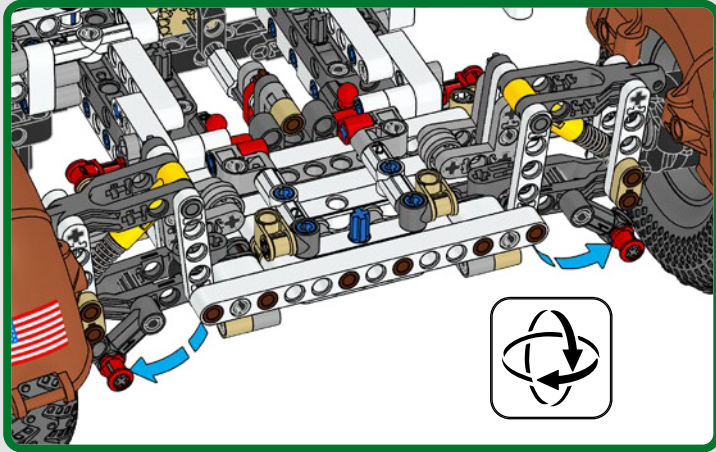




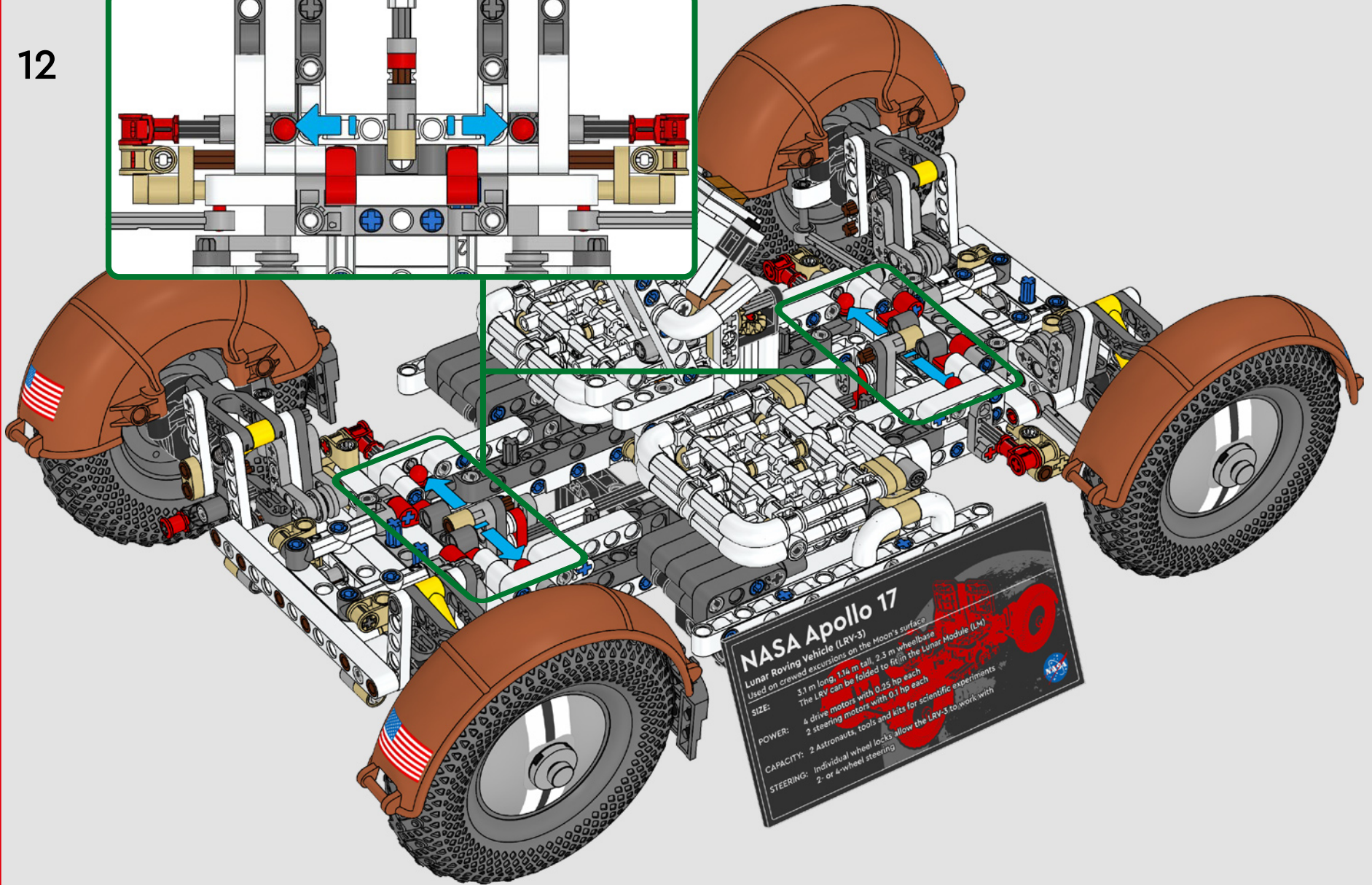
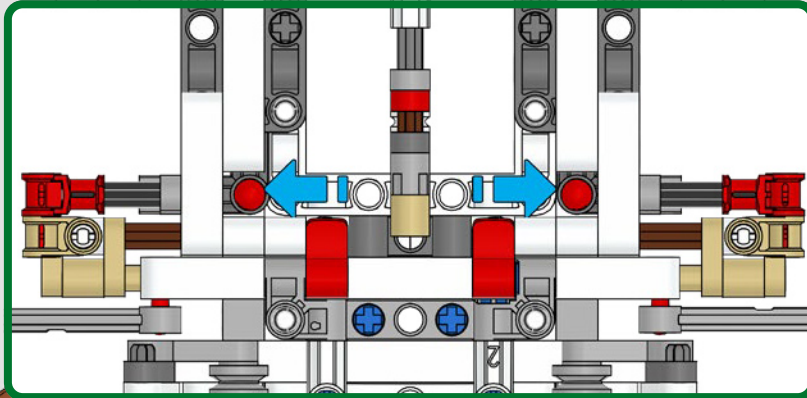
10



11



12



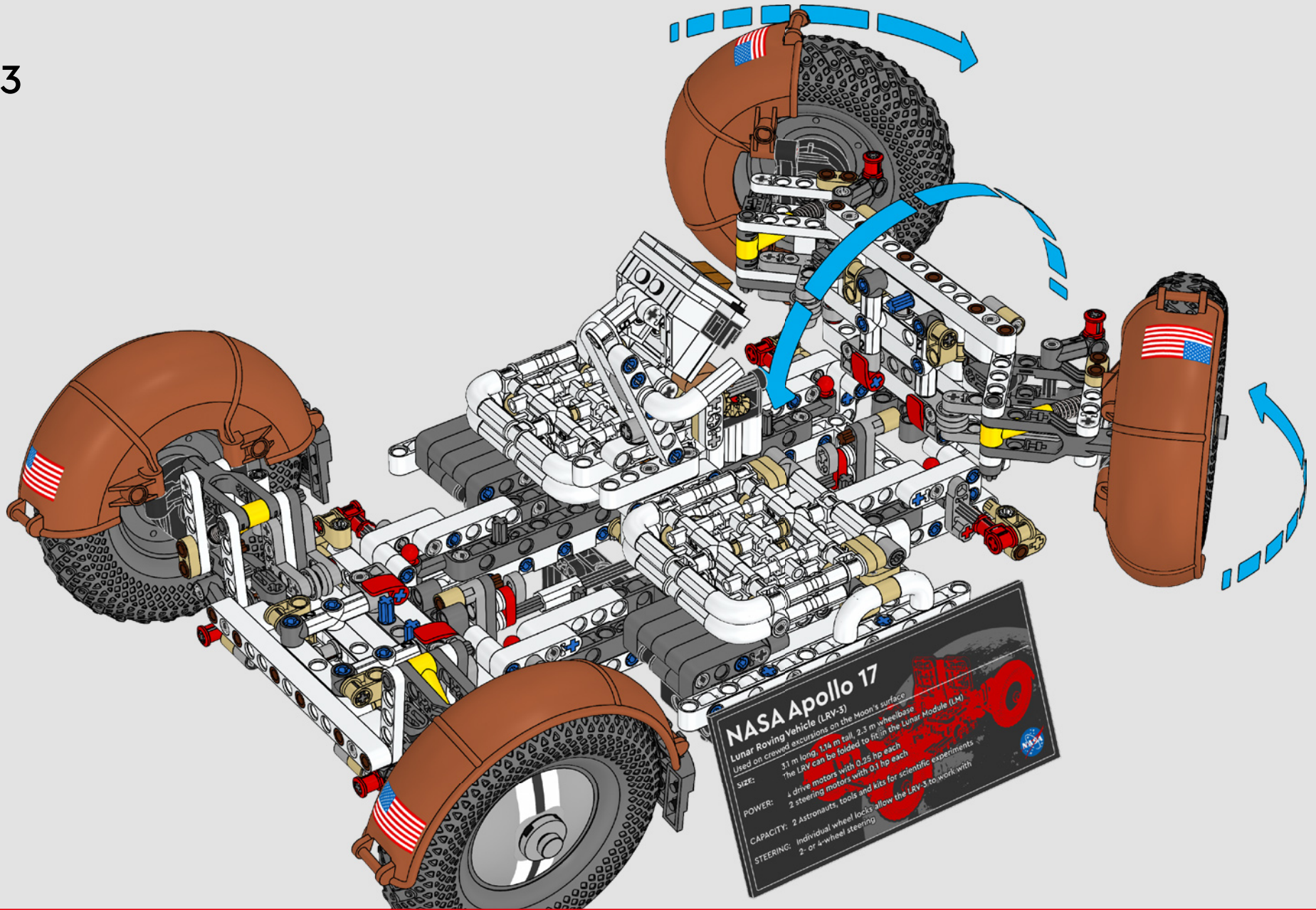
NASA Apollo 17
Lunar Roving Vehicle (LRV-3)
Used on crewed excursions on the Moon's surface

SIZE: 3.1 m long, 1.14 m tall, 2.3 m wheelbase
The LRV can be folded to fit in the Lunar Module (LM)

POWER: 4 drive motors with 0.25 hp each
2 steering motors with 0.1 hp each

CAPACITY: 2 Astronauts, tools and kits for scientific experiments

STEERING: Individual wheel locks allow the LRV-3 to work with 2- or 4-wheel steering



NASA Apollo 17

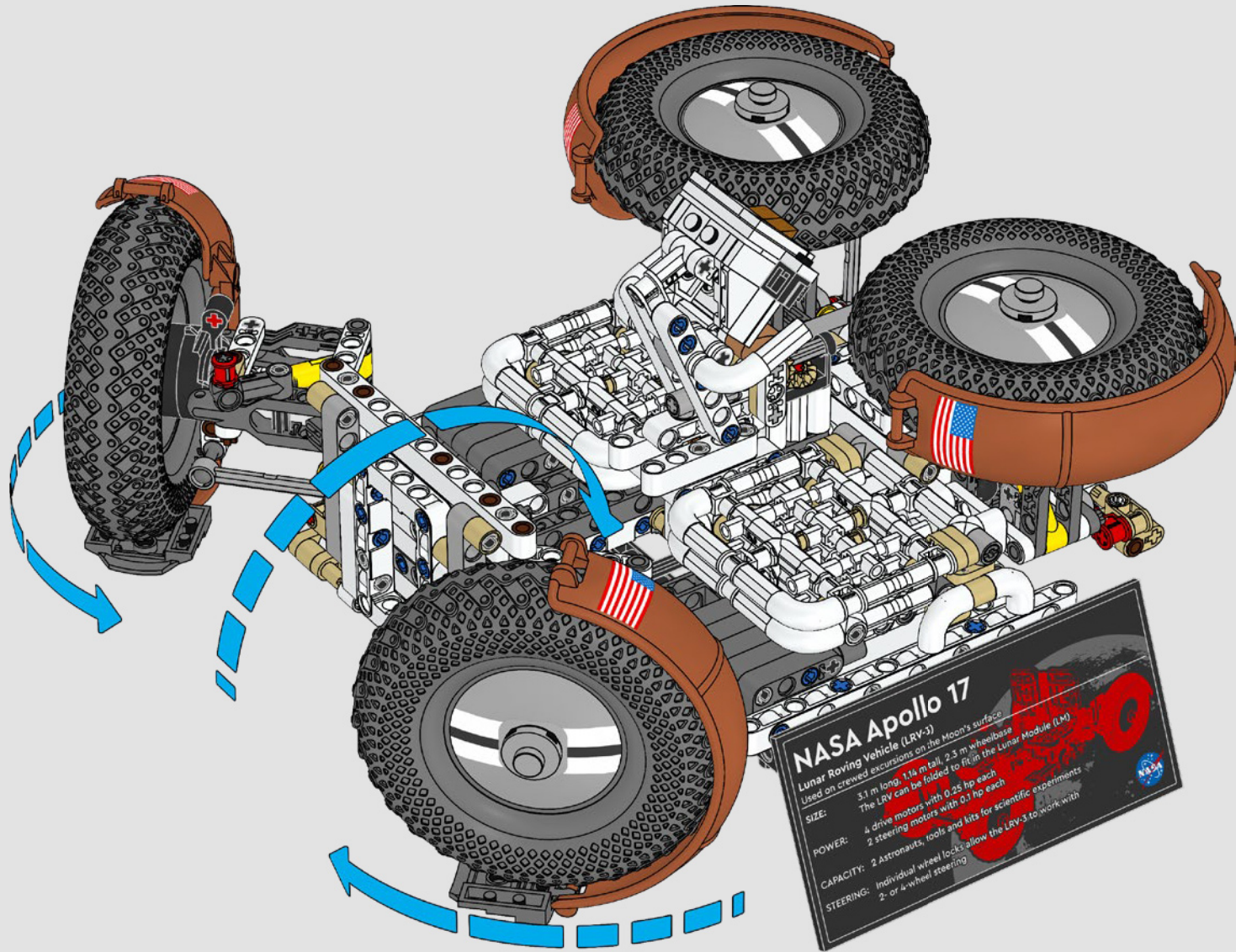
Lunar Roving Vehicle (LRV-3)
 Used on crewed excursions on the Moon's surface

SIZE: 3.1 m long, 1.14 m tall, 2.3 m wheelbase
 The LRV can be folded to fit in the Lunar Module (LM)

POWER: 4 drive motors with 0.25 hp each
 2 steering motors with 0.1 hp each

CAPACITY: 2 Astronauts, tools and kits for scientific experiments

STEERING: Individual wheel locks allow the LRV-3 to work with 2- or 4-wheel steering



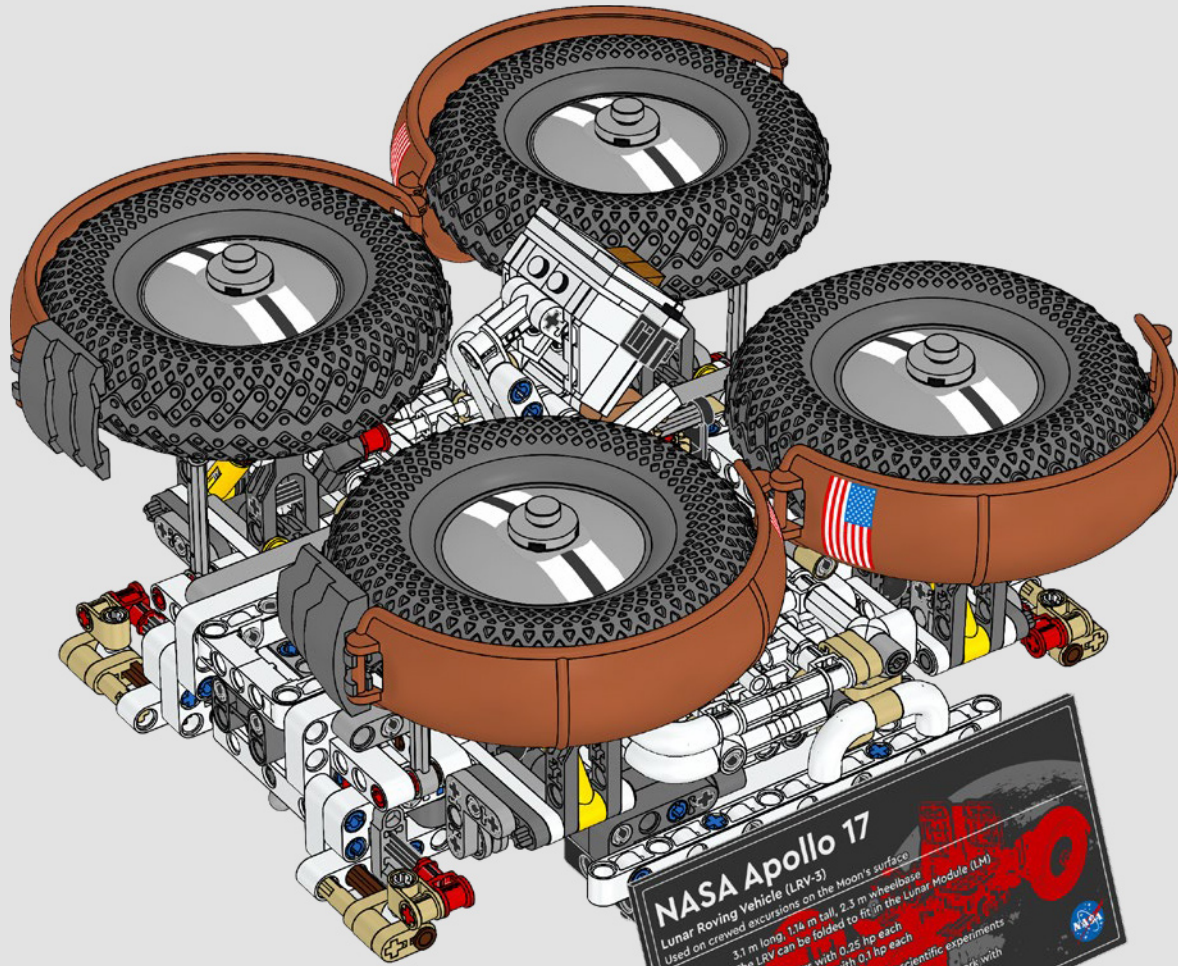
NASA Apollo 17
Lunar Roving Vehicle (LRV-3)
 Used on crewed excursions on the Moon's surface

SIZE: 3.1 m long, 1.14 m tall, 2.3 m wheelbase
 The LRV can be folded to fit in the Lunar Module (LM)

POWER: 4 drive motors with 0.25 hp each
 2 steering motors with 0.1 hp each

CAPACITY: 2 Astronauts, tools and kits for scientific experiments

STEERING: Individual wheel locks allow the LRV-3 to work with 2- or 4-wheel steering



NASA Apollo 17

Lunar Roving Vehicle (LRV-3)
Used on crewed excursions on the Moon's surface

SIZE:

3.1 m long, 1.14 m tall, 2.3 m wheelbase
The LRV can be folded to fit in the Lunar Module (LM)

POWER:

4 drive motors with 0.25 hp each
2 steering motors with 0.1 hp each

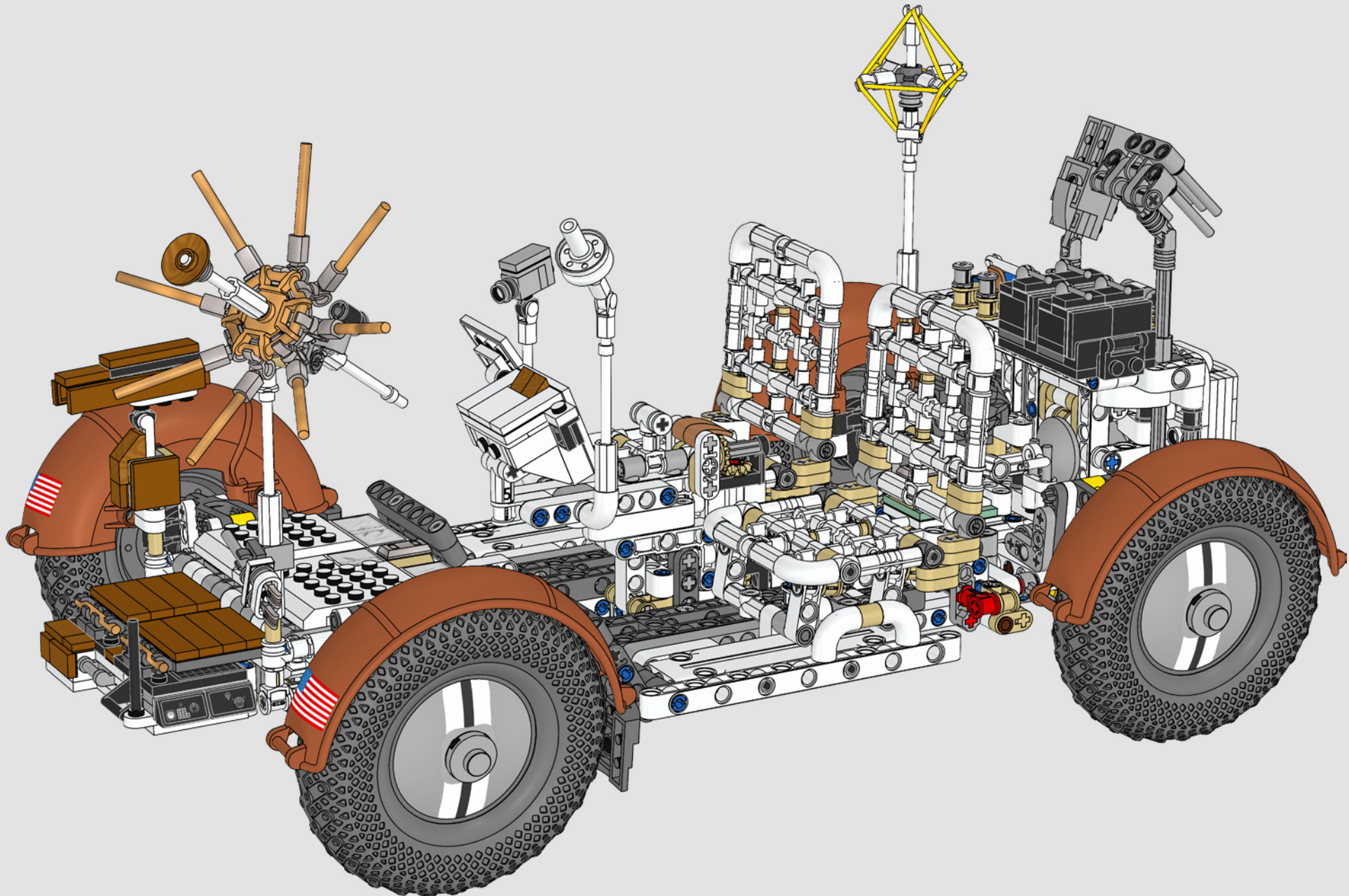
CAPACITY:

2 Astronauts, tools and kits for scientific experiments

STEERING:

Individual wheel locks allow the LRV-3 to work with
2- or 4-wheel steering





1x 6234807
7x 6341465
2x 6322489
19x 6360263
7x 6284572
2x 6186681
4x 6172366
2x 6383985
6x 407001
2x 6296132
1x 6508268
3x 4111971
2x 6357680
1x 6434569
5x 6371416
1x 6210272
2x 6457115

6x 4547489
18x 6194851
9x 6282148
29x 6310183
3x 6179606
18x 6265135
2x 6345327
23x 6375684
2x 6292916
24x 6212049
1x 6346389
2x 6173116
2x 306901
9x 6057414
6x 302301
2x 6326680

4x 6172927
1x 6051511
1x 300401
1x 6013484
2x 6271349
2x 6217875
2x 6450820
9x 6360038
36x 6428803
16x 6330960
7x 6257450
1x 300301
1x 306801
1x 6061024
8x 242001
1x 6047220

4x 6210385
1x 6289797
1x 4515364
3x 6261390
8x 6276052
5x 6402262
4x 6402213
17x 6271870
3x 4208160
4x 362301
7x 4558168
2x 245001
5x 6223491
2x 6089696
1x 6158058

2x 6168618
4x 6116602
3x 302101
1x 6156667
8x 6271824
3x 6023806
1x 6249091
5x 6104805
16x 6360069
2x 302001
5x 4560178
6x 6440438
14x 4585040
2x 4249021

7x 6439225
7x 6350399
1x 6421592
2x 6132741
4x 6170419
4x 366601
3x 4243812
2x 6400128
7x 6471586
2x 4495927
2x 6184866
1x 4163986

4x 6001831
4x 6016156
2x 4503008
2x 6055627
10x 4620671
2x 6247435
5x 6432401
1x 379523
2x 303223

2x 6284575
9x 6268862
1x 4651236
4x 4206482
75x 4206482
2x 6194417
1x 6282145
8x 6390153
1x 6092582
2x 6228601
4x 6378789
1x 6365486
2x 4140586
1x 6336378
97x 6299413
3x 306823
2x 6252060
2x 4587840

- | | | | | | | | |
|----------------|-----------------|---------------|----------------|---------------|----------------|----------------|----------------|
| 2x
6292291 | 2x
4548180 | 1x
6116604 | 4x
6313520 | 1x
6020193 | 10x
6147169 | 5x
6264167 | 36x
6261379 |
| 6x
4649773 | 148x
6279875 | 8x
370526 | 1x
4225201 | 2x
243126 | 1x
6388645 | 3x
6078236 | 1x
6031962 |
| 4x
243123 | 46x
4109810 | 2x
6271825 | 2x
6273708 | 2x
617926 | 4x
6031821 | 1x
6404402 | 2x
6174929 |
| 1x
371023 | 1x
6282140 | 2x
6092570 | 2x
300326 | 4x
6378480 | 9x
6450558 | 4x
6265247 | 8x
4666999 |
| 1x
370123 | 2x
6265091 | 2x
6254045 | 4x
302226 | 3x
6435016 | 1x
4616578 | 2x
6347439 | 2x
6274738 |
| 2x
4560180 | 14x
4512363 | 1x
6278412 | 4x
302226 | 7x
6279881 | 8x
6335230 | 2x
6189071 | 2x
6240030 |
| 1x
4243815 | 1x
302326 | 1x
6278412 | 4x
306826 | 1x
6029578 | 4x
6168644 | 10x
6332155 | 9x
4211399 |
| 4x
4286267 | 4x
306926 | 1x
6328175 | 4x
306826 | 1x
370826 | 8x
6439051 | 2x
6332144 | 7x
6336539 |
| 1x
6088550 | 4x
6092585 | 4x
6439175 | 18x
6089119 | 1x
6029578 | 2x
4544151 | 2x
6051507 | 1x
4558953 |
| 2x
6168646 | 1x
243226 | 2x
366626 | 16x
6321745 | 1x
370826 | 1x
6130012 | 2x
6082975 | 3x
6362975 |
| 2x
6439039 | 1x
4618852 | 4x
6117973 | 1x
4552347 | 2x
6265643 | 1x
6206248 | 15x
6167923 | 1x
6070564 |
| 10x
6121485 | 4x
6117973 | 1x
6390379 | 1x
4552347 | 2x
6265643 | 2x
6361354 | 3x
4565452 | 2x
6347715 |
| 1x
307026 | 2x
6271346 | 4x
6459445 | 3x
4142822 | 4x
6484420 | 8x
6338570 | 2x
6374151 | 2x
6347715 |
| 1x
6234695 | 1x
4560182 | 2x
6469830 | 1x
6362991 | | 2x
6208446 | 2x
6357613 | 4x
6267587 |
| 13x
6261371 | 4x
6408182 | | | | 2x
6191668 | 9x
6013938 | 13x
6168647 |
| | | | | | | 4x
6376461 | 6x
6284071 |

- 2x 4529241
- 2x 6250597
- 3x 6448793
- 3x 6275844
- 2x 4211415
- 2x 6176433
- 4x 4211758
- 2x 6443149
- 1x 6265704
- 2x 6348143
- 2x 6261375
- 9x 4211880
- 2x 6271539
- 5x 6179186
- 2x 6282142
- 9x 6123815
- 1x 6265089
- 5x 4512360
- 1x 6380605
- 3x 6173127
- 1x 6266251
- 4x 4211398
- 1x 6144138

- 1x 4211414
- 3x 4211609
- 1x 4667578
- 4x 6331859
- 1x 4244627
- 8x 6271815
- 1x 6093527
- 1x 6212077
- 2x 6132886
- 37x 4211815
- 4x 6321747
- 2x 4211536
- 4x 6276969
- 1x 6331441

3

- 6x 6438836
- 2x 6210581
- 2x 6370947
- 5x 6116608
- 1x 6347992
- 2x 6331574
- 1x 4211445
- 6x 4211639
- 4x 6452875
- 4x 6463327
- 3x 4211805
- 6x 4495930
- 5x 4611705

5

7

7

11

- 9x 6258973
- 4x 6271820
- 27x 6378120
- 2x 6345637
- 8x 6360104
- 4x 6378122
- 2x 6371442
- 26x 4142865
- 4x 403221
- 4x 6344178
- 20x 6209519
- 1x 6130002
- 18x 6135494
- 12x 6159763
- 1x 6347790
- 1x 6240515

6

3

5

- 4x 6360824
- 12x 6327561
- 11x 6083620
- 2x 6350292
- 6x 6168609
- 6x 6296856
- 1x 6012451
- 8x 6395635
- 5x 6344022
- 4x 6365695
- 19x 6005331
- 4x 6282144
- 4x 6268923
- 6x 4211063
- 2x 6314192

4

7

- 2x 6301368
- 4x 4508553
- 8x 6278260
- 2x 6310189
- 4x 6271830
- 3x 4495931
- 2x 6316692
- 1x 4211055
- 10x 6015356
- 8x 6258991
- 2x 6271876
- 6x 4210751
- 2x 6475314

5,5

- 2x 6307616
- 4x 6483729
- 4x 6452865
- 3x 6396963
- 2x 6396964
- 2x 6396922
- 2x 6463326
- 2x 6504968

15



LEGO.com/service



YOU COULD WIN



YOU COULD WIN

Your feedback will help shape the future development of this product series.

Visit:

DU KÖNNTEST GEWINNEN

Dein Feedback trägt zur Weiterentwicklung dieser Produktreihe bei.

Geh auf:

VOUS POURRIEZ GAGNER

Vos commentaires nous aideront à concevoir les futurs produits de cette gamme.

Visitez :

POTRESTI VINCERE TU

La tua opinione ci aiuterà a migliorare la creazione futura di questa linea di prodotti.

Visita:

PUEDES GANAR

Tu opinión contribuirá al futuro de esta serie de productos.

Visita:

轻松获奖

您的反馈将有助于我们在今后改进本产品系列。

请访问:

[LEGO.com/productfeedback](https://www.lego.com/productfeedback)

You also have the chance to win a LEGO® set.

Terms and conditions apply.*

Außerdem hast du die Chance, ein LEGO® Set zu gewinnen.

Es gelten die Teilnahmebedingungen.*

Vous pourriez également gagner un ensemble LEGO®.

Des conditions s'appliquent.*

Hai anche la possibilità di vincere un set LEGO®.

Termini e condizioni sono applicabili.*

También tienes la oportunidad de ganar un set LEGO®.

Aplican términos y condiciones.*

您还有机会赢取乐高®套装。

条款和条件适用。*

*[LEGO.com/productfeedback-terms](https://www.lego.com/productfeedback-terms)



LEGO and the LEGO logo are trademarks of the LEGO Group. ©2024 The LEGO Group.

NASA Insignia and identifiers provided and used with permission of NASA.