



42182





LEGO.com/sustainable-packaging



FR  
**DONNEZ  
OU  
RECYCLEZ**



OU



OU



ASSOCIATION MAGASIN DÉCHÈTERIE

Adresses sur [quefairedemesdechets.fr](http://quefairedemesdechets.fr)



# BUILDER



Apple and the Apple logo are trademarks of Apple Inc., registered in the U.S. and other countries and regions. App Store is a service mark of Apple Inc. Google Play and the Google Play logo are trademarks of Google LLC. Tencent and the Tencent logo are trademarks of Tencent Inc.

LEGO.com/devicecheck

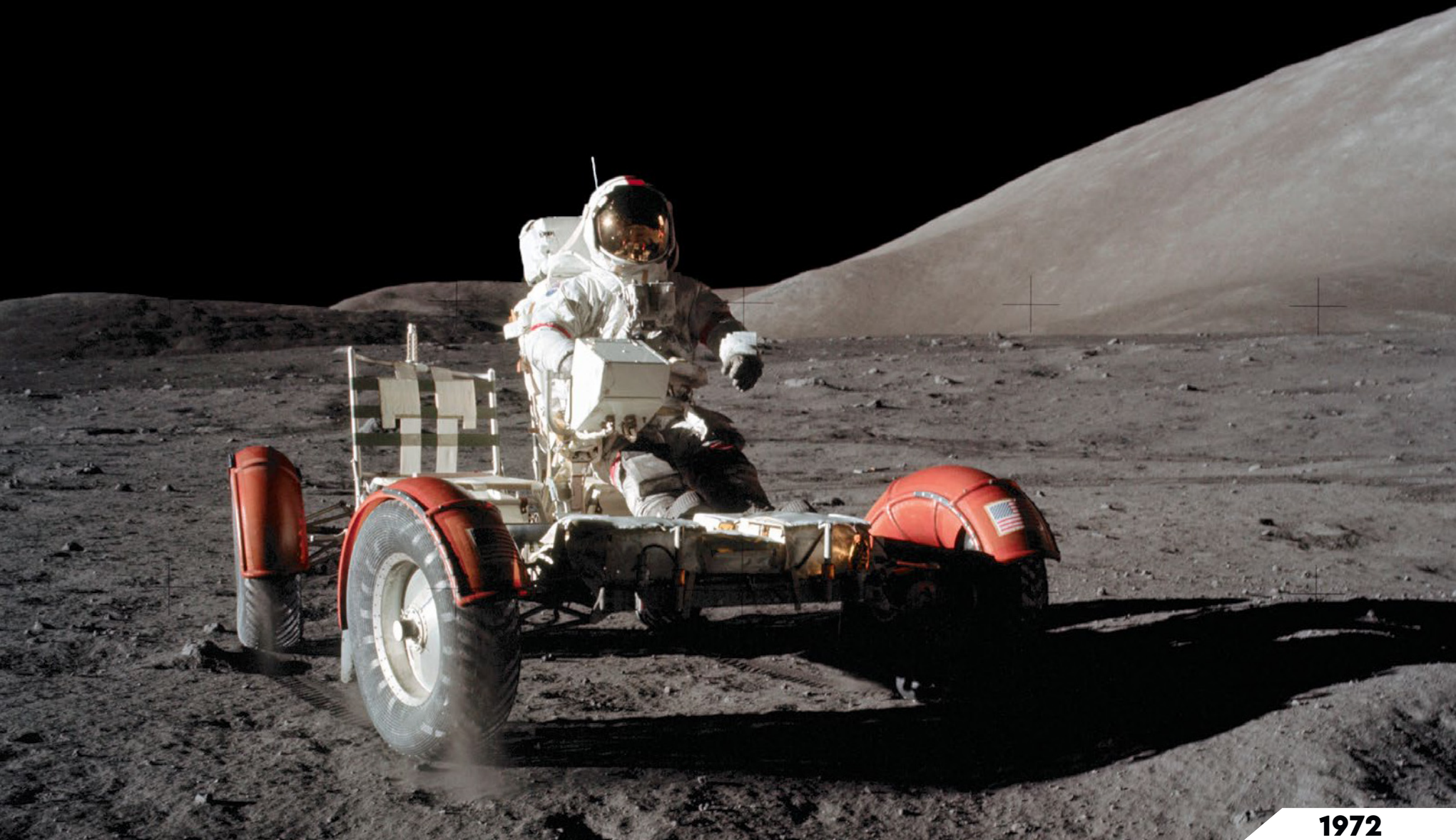


LEGO® Builder

# ***IDA Y VUELTA A LA LUNA***

Desde que los primeros humanos pisaron la Luna en 1969, la exploración del espacio ha aportado un cúmulo de nuevos conocimientos sobre el universo que pocos podrían haber imaginado. Las primeras exploraciones de nuestro satélite natural, iniciadas por las misiones Apolo de la NASA (1961-1972), abrieron la puerta a tecnologías innovadoras y extraordinarias misiones a lugares cada vez más remotos de nuestro sistema solar. Este modelo LEGO® Technic está inspirado en el vehículo de exploración lunar de la misión Apolo 17 de la NASA, el rover LRV-3. Dicho vehículo supuso una notable hazaña de ingeniería y, como parte de la última misión Apolo de la NASA, desempeñó un papel fundamental en ampliar los límites de la exploración lunar.

**VEHÍCULO DE EXPLORACIÓN LUNAR LRV DE LA NASA DURANTE LA MISIÓN APOLO**



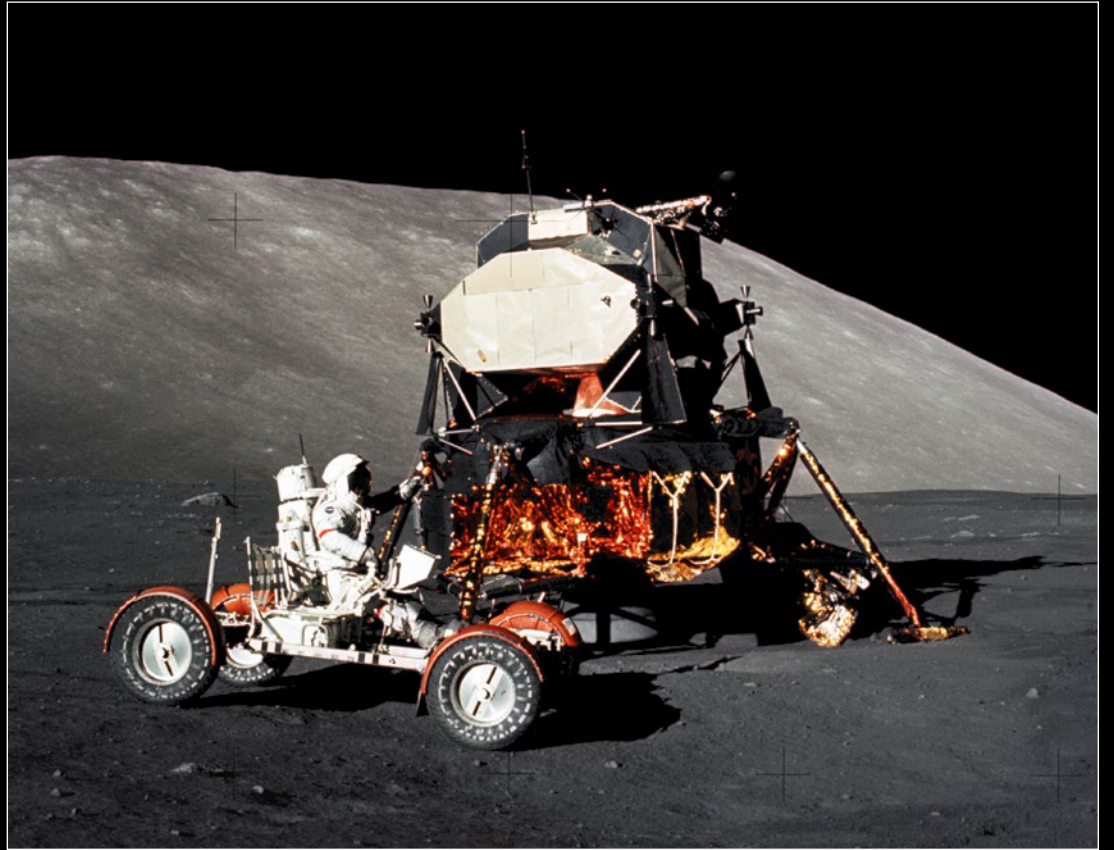
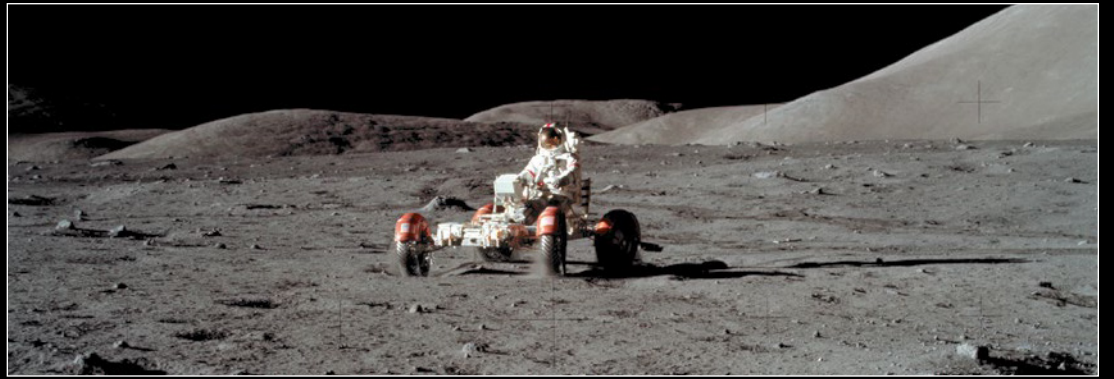
**1972**

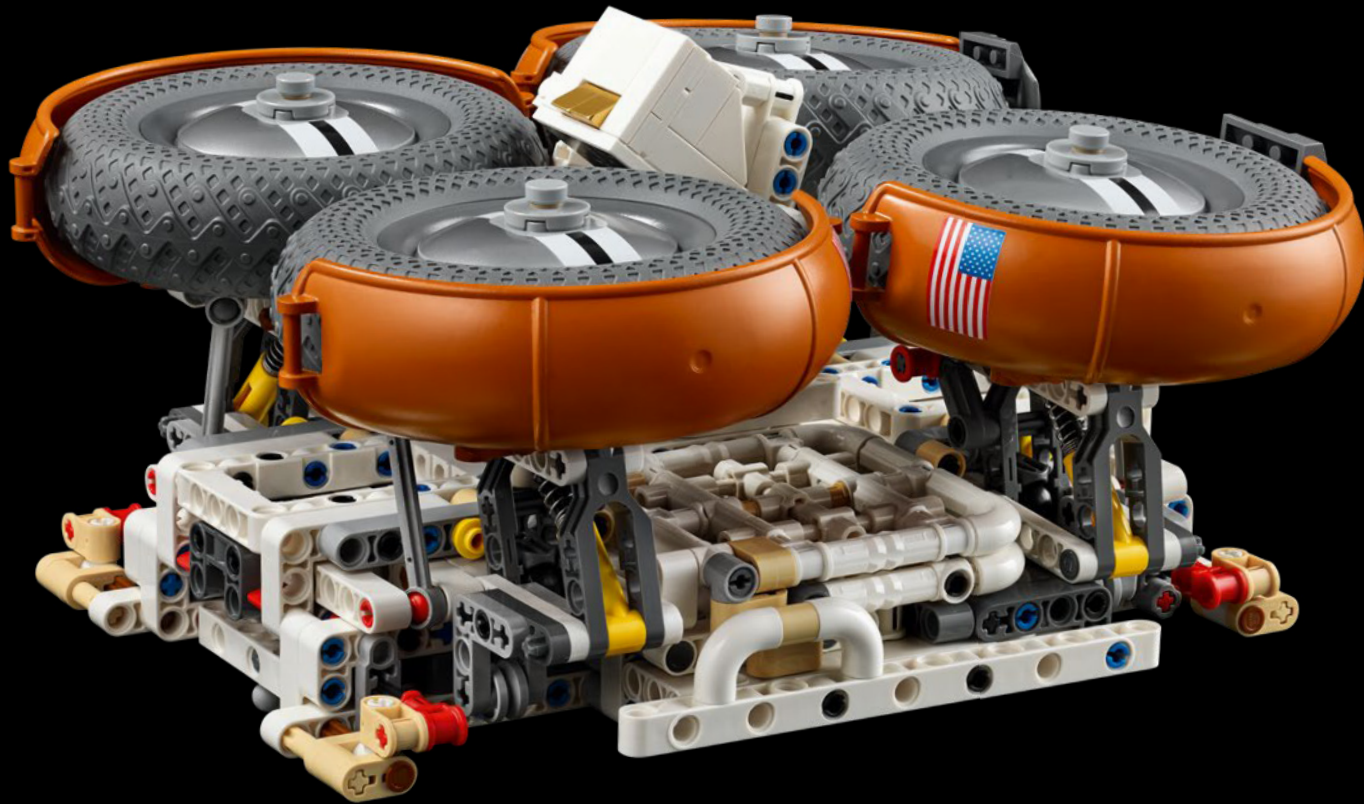


## EXPLORA TU LRV-3

Los astronautas completaron varias expediciones en el LRV-3 para recoger muestras de rocas y suelo y captar espectaculares imágenes del más cercano de nuestros vecinos celestes. Explora una multitud de equipos, herramientas y minuciosos detalles mientras construyes.

*Olav Krøigaard,  
diseñador, LEGO® Technic*





## ***DETALLES A LA VISTA***

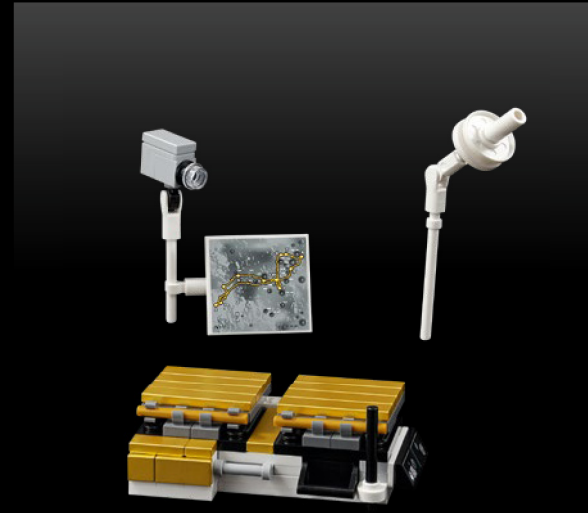
Al igual que el original, tu rover LRV-3 LEGO® se puede plegar perfectamente para introducirlo en un módulo de alunizaje real y transportarlo hasta la Luna. El modelo final puede exponerse como una sola pieza o en secciones separadas.





### **CHASIS DELANTERO**

Las brújulas solo funcionan con los campos magnéticos de la Tierra, así que los astronautas utilizaron un giroscopio direccional y un cuentakilómetros para desplazarse por la superficie lunar. Puesto que el polvo lunar se colaría por todas partes, un cepillo de limpieza, si bien no era una herramienta científica común, resultaba esencial para mantener limpios los radiadores, las cámaras de televisión y la superficie del rover.



### **UNIDAD DE RETRANSMISIÓN DE COMUNICACIONES LUNARES (LCRU)**

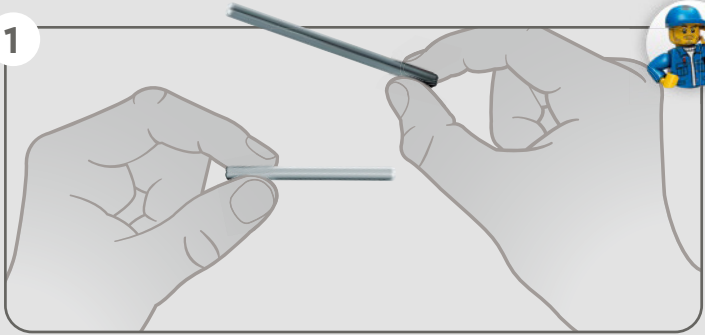
La unidad de retransmisión de comunicaciones lunares fue el enlace de intercambio de información más importante para los astronautas durante las actividades extravehiculares en la Luna. Las antenas de alta y baja ganancia conectaban a los astronautas con el centro de control de la misión en Houston.



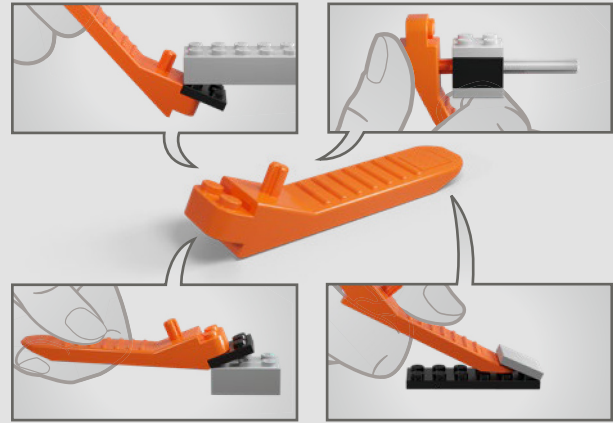
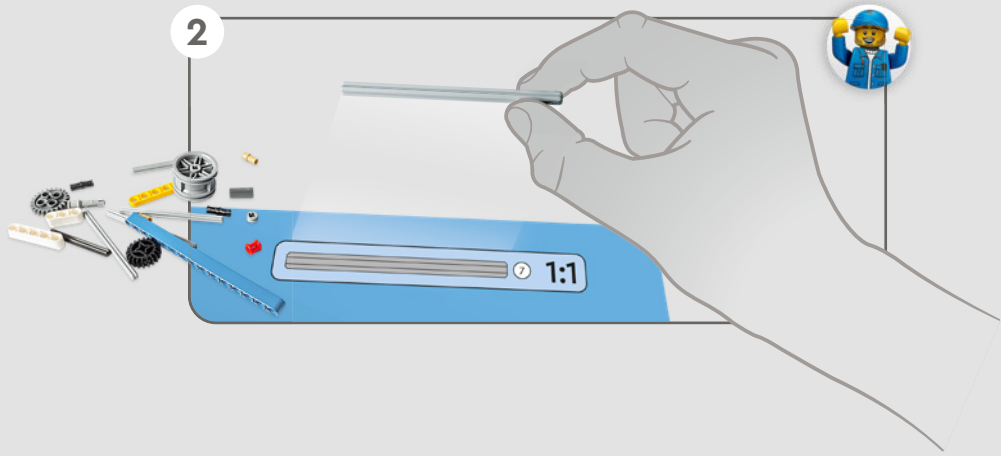
### **PLATAFORMA POSTERIOR**

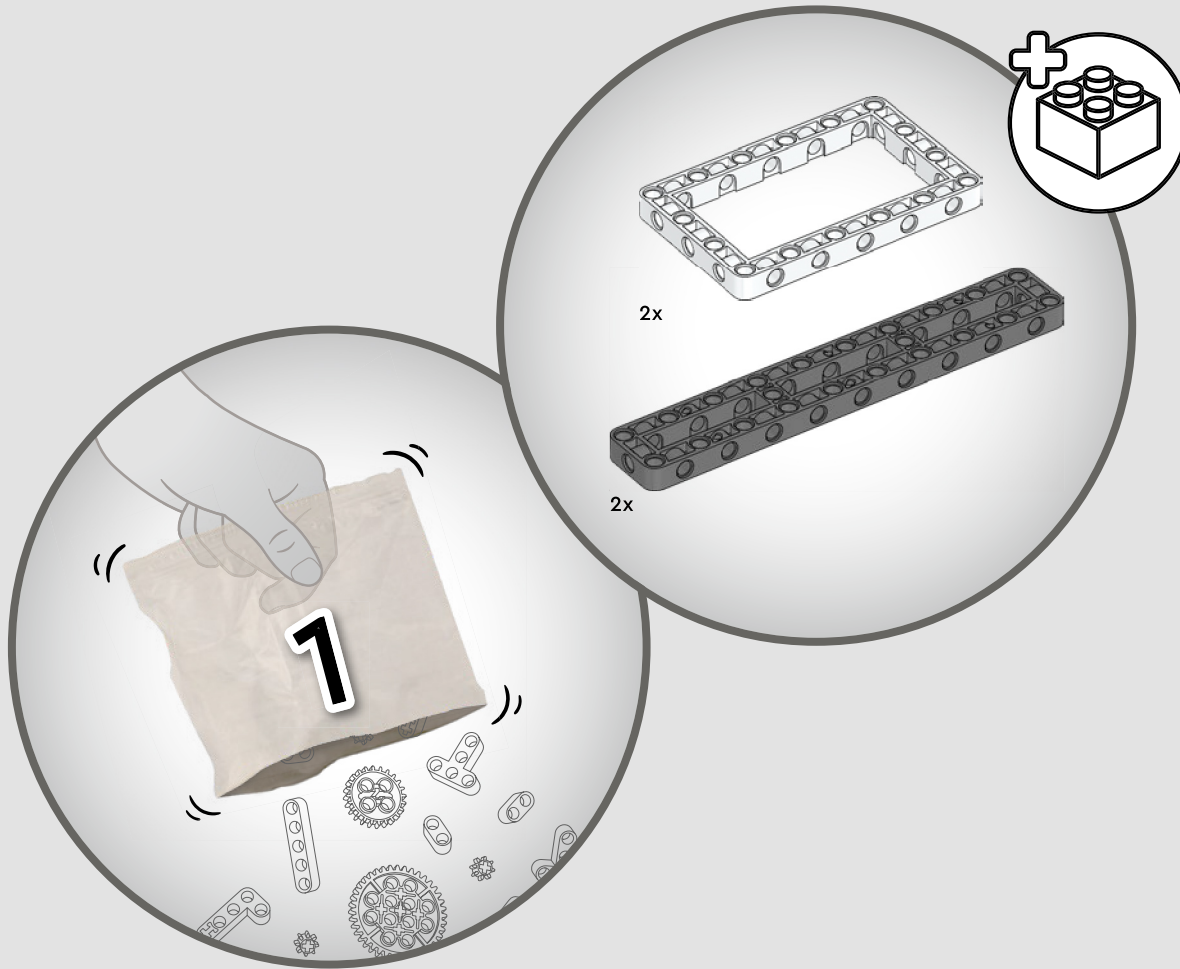
Mientras usaban y guardaban herramientas y muestras en la plataforma posterior, los astronautas llevaron a cabo una serie de experimentos científicos, entre los que se incluía la medición y la caracterización de la actividad sísmica activa y pasiva. La "roca" LEGO® de la parte posterior representa la Big Muley, una roca de 4000 millones de años recogida por la misión Apolo 16.

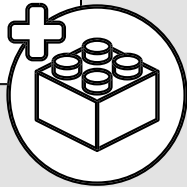
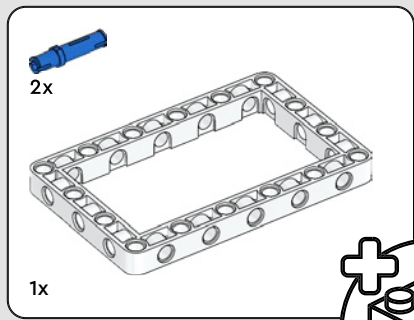
1



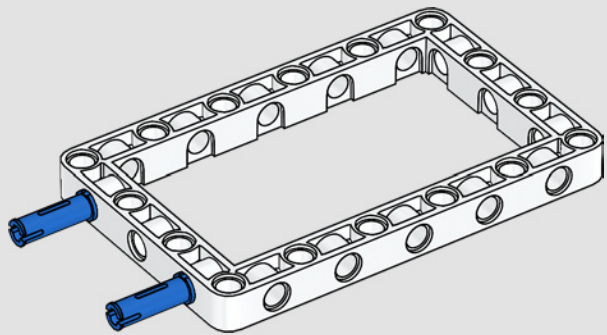
2



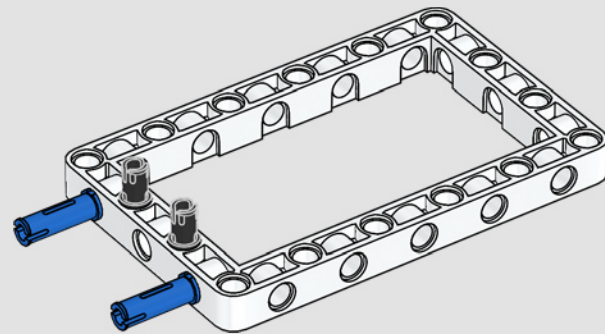


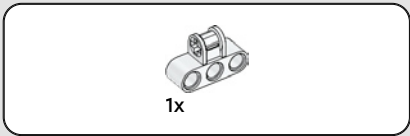


1

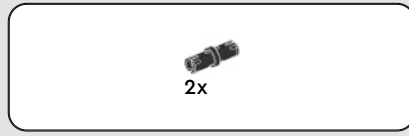
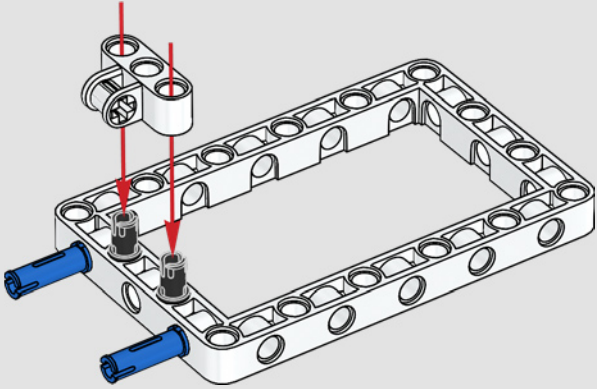


2

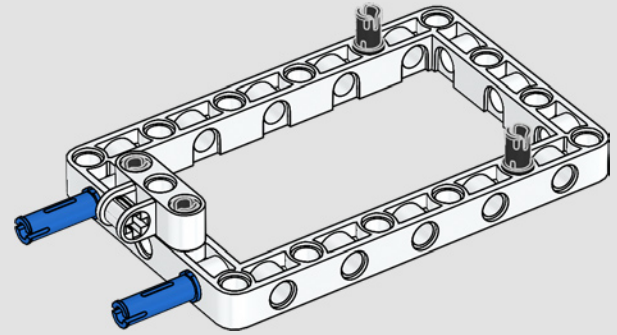


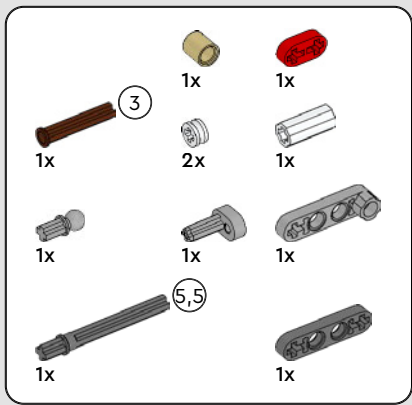


3

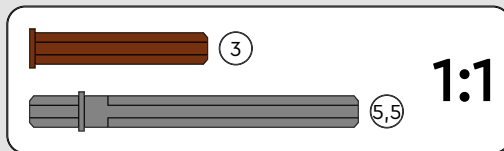
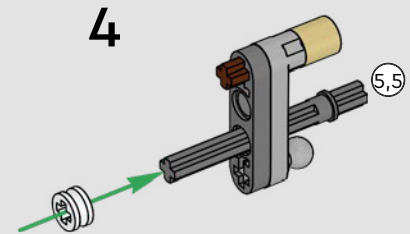
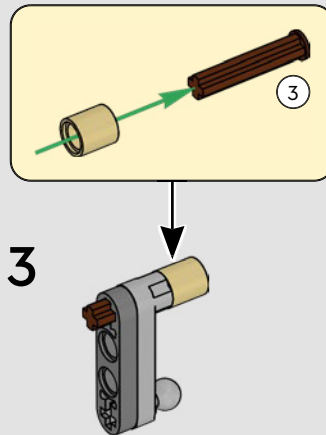
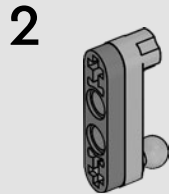
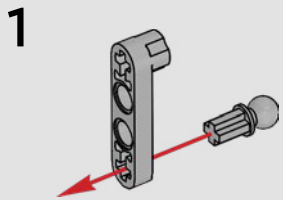


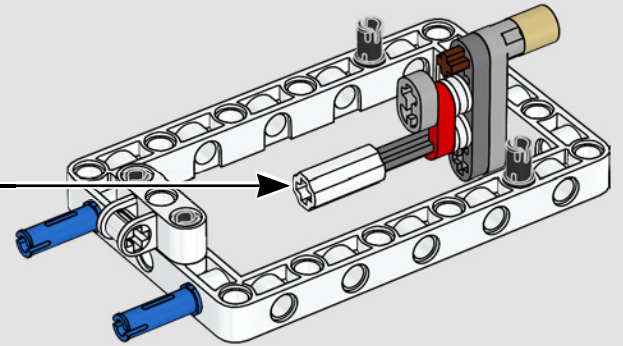
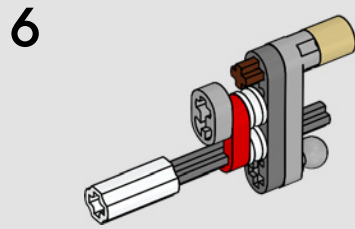
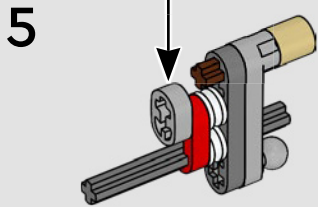
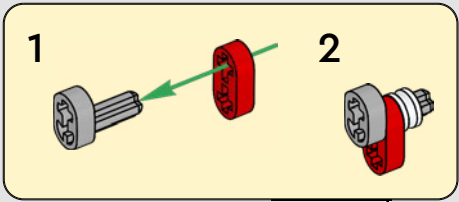
4

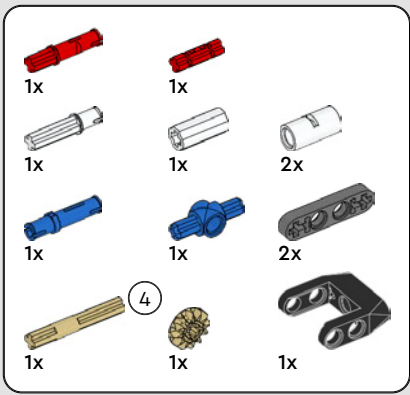




# 5

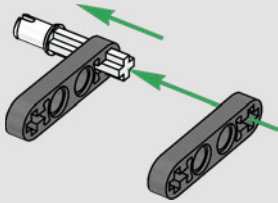




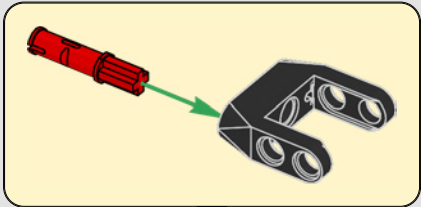


6

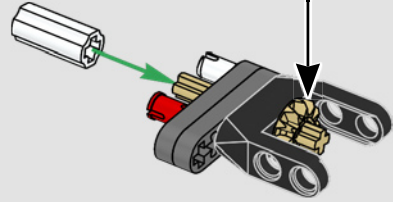
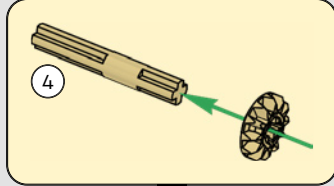
1



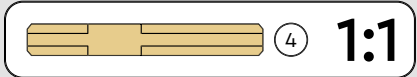
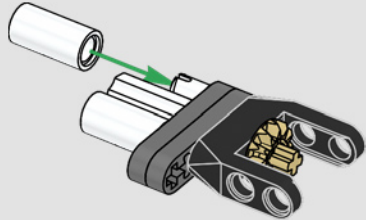
2



3

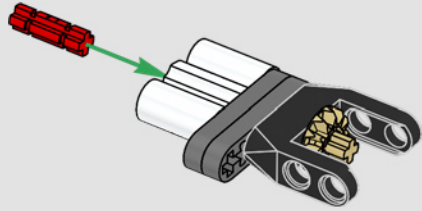


4

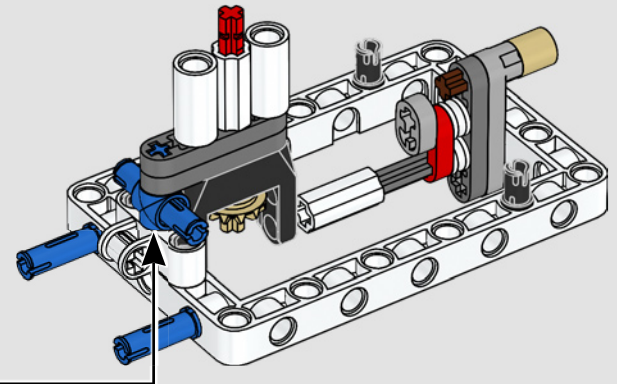
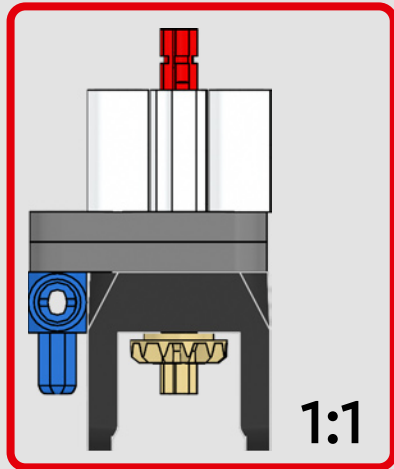
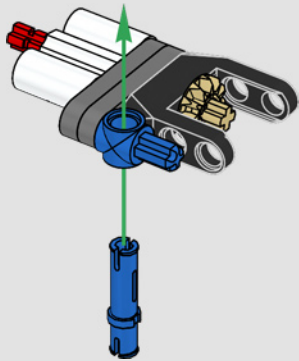


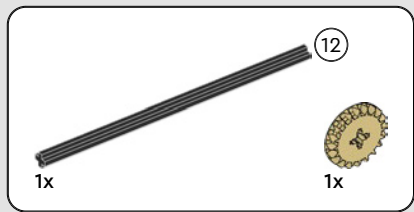


5

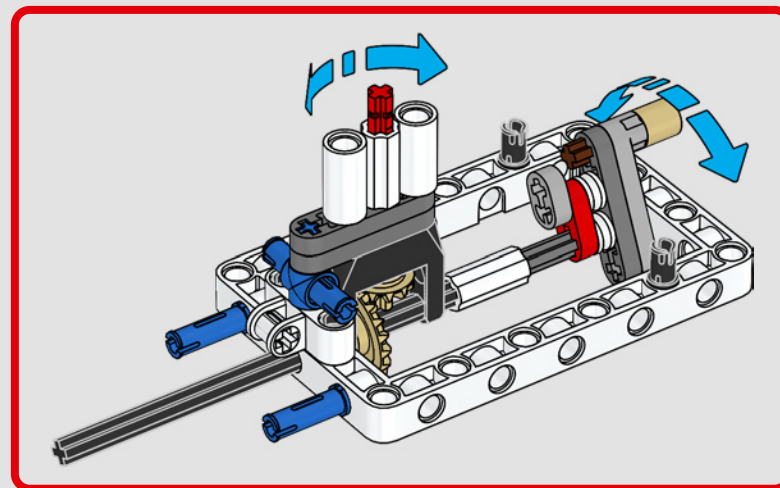
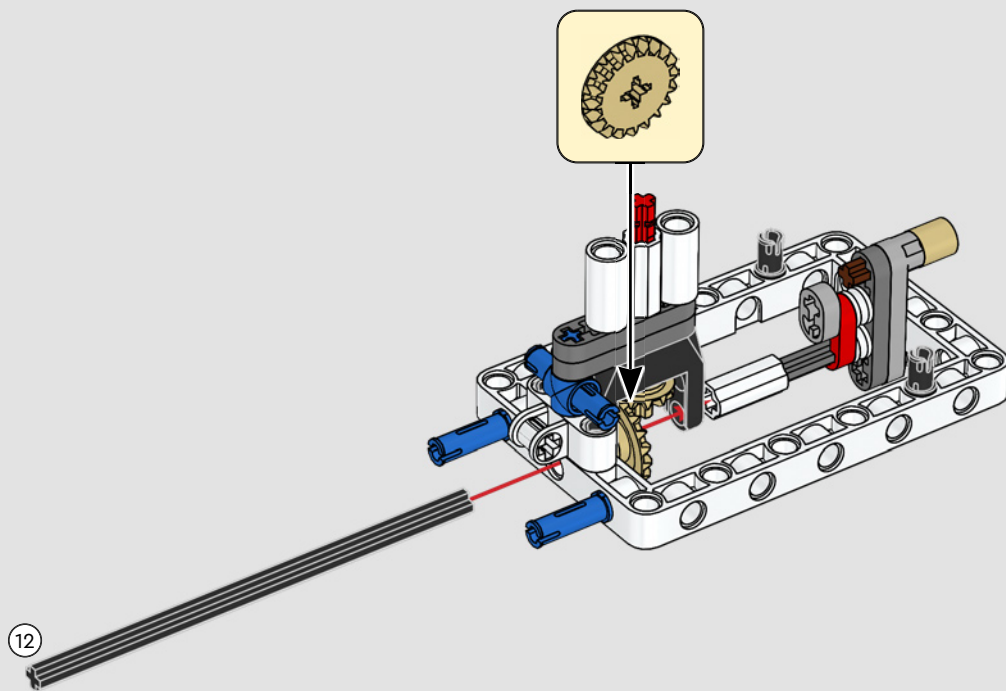


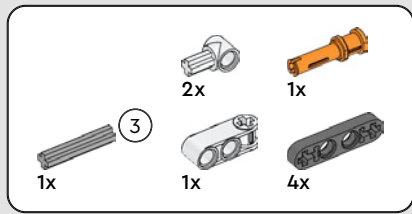
6



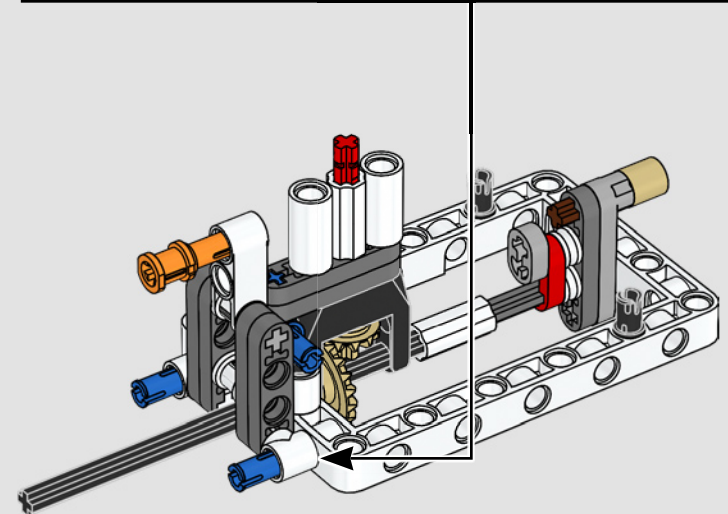
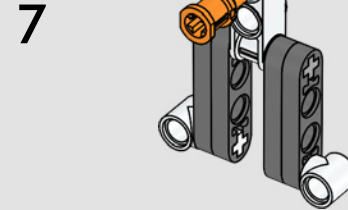
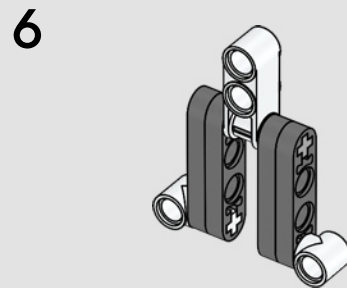
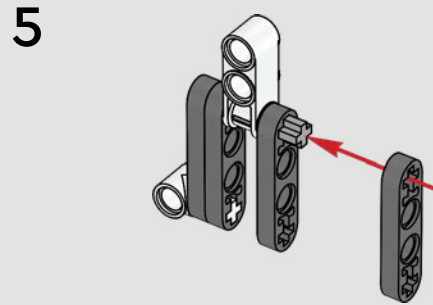
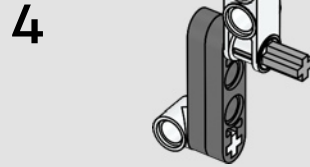
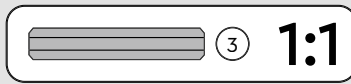
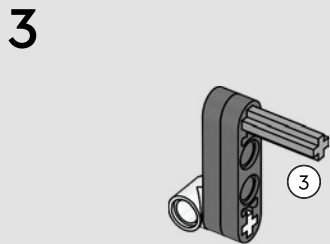
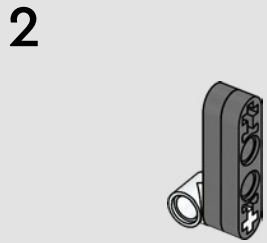
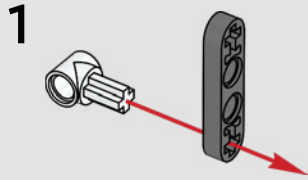


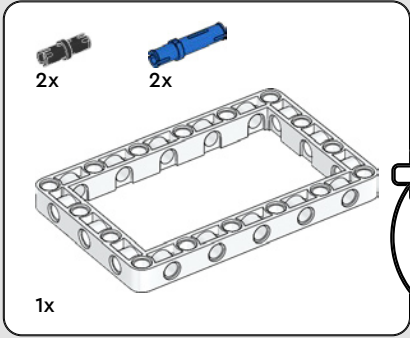
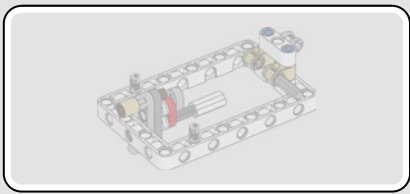
7



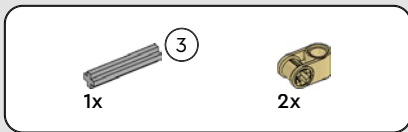
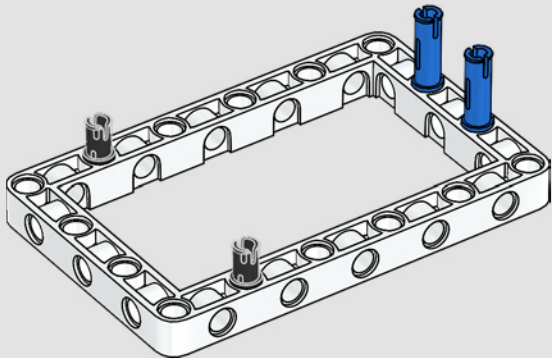


8

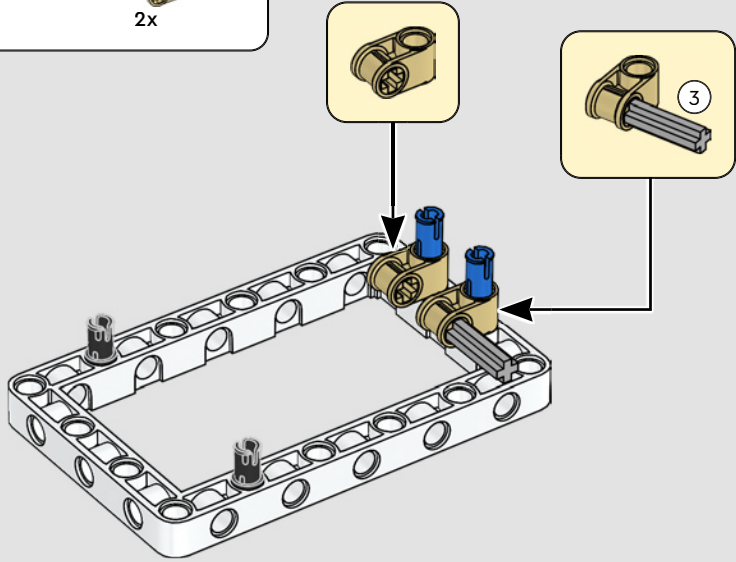




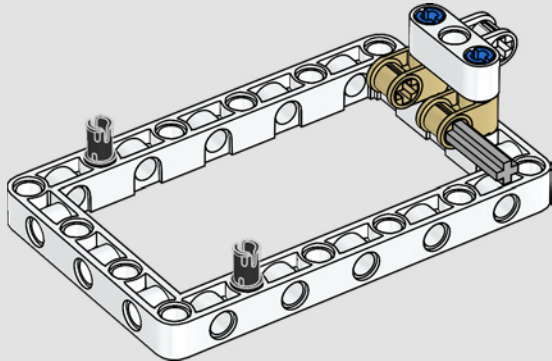
9

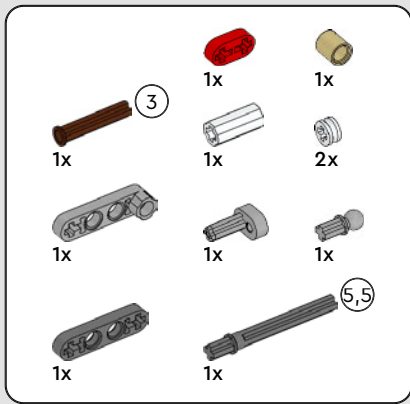


10

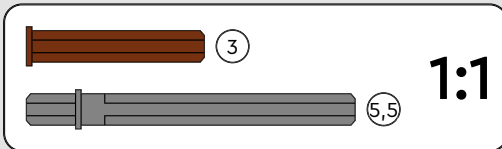
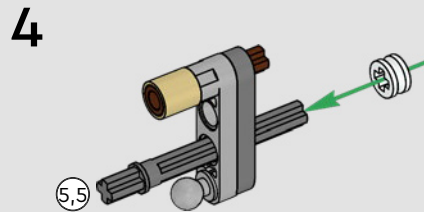
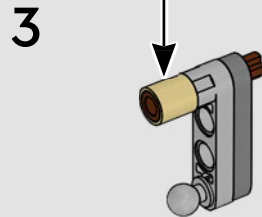
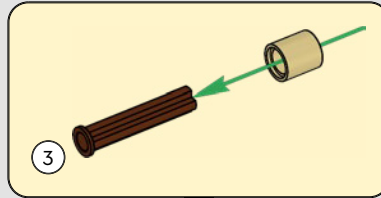
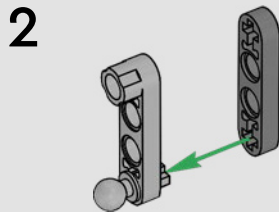
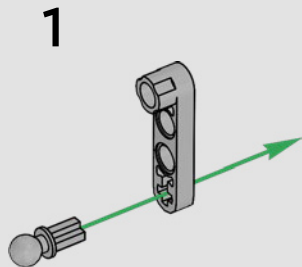


11

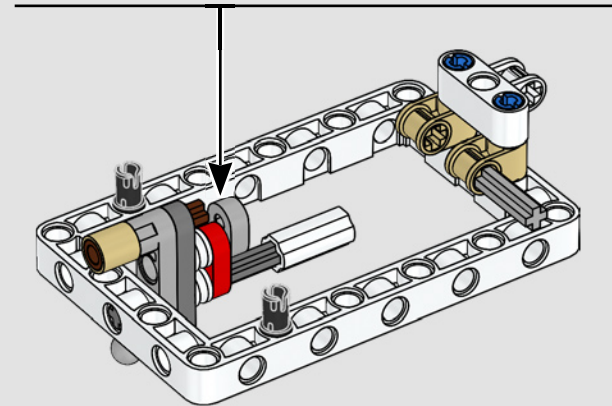
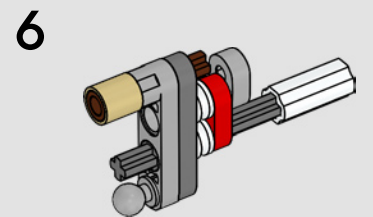
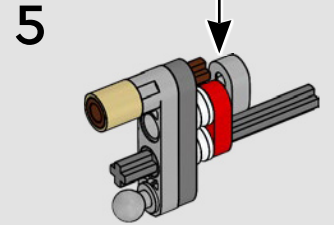
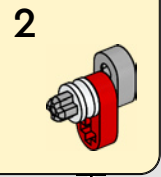
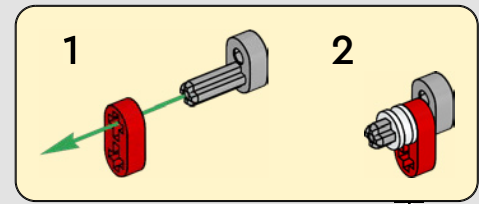




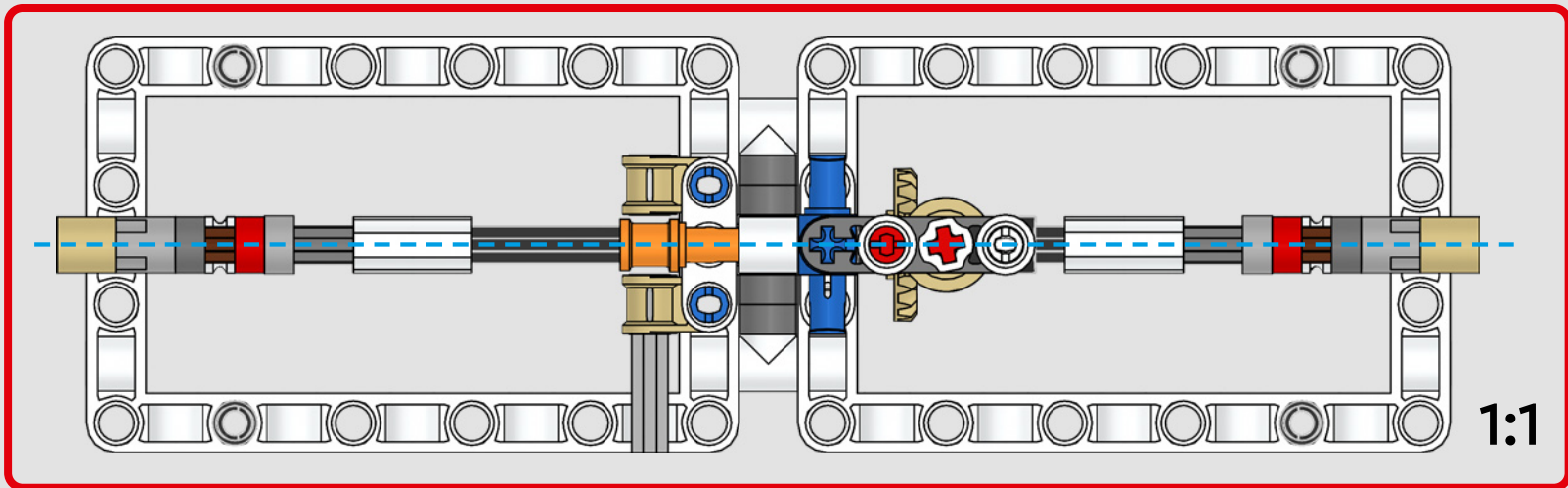
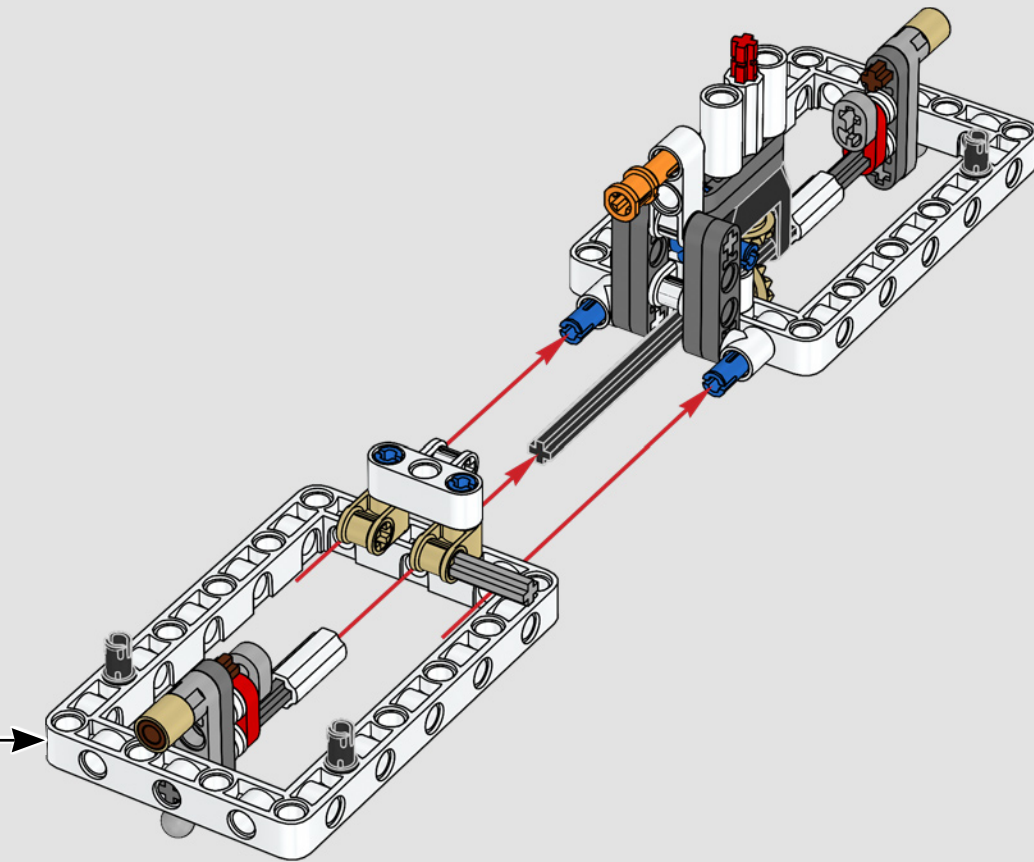
# 12



1:1

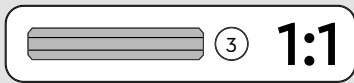
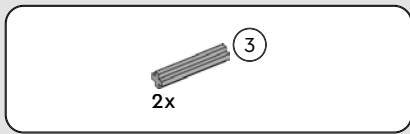


13

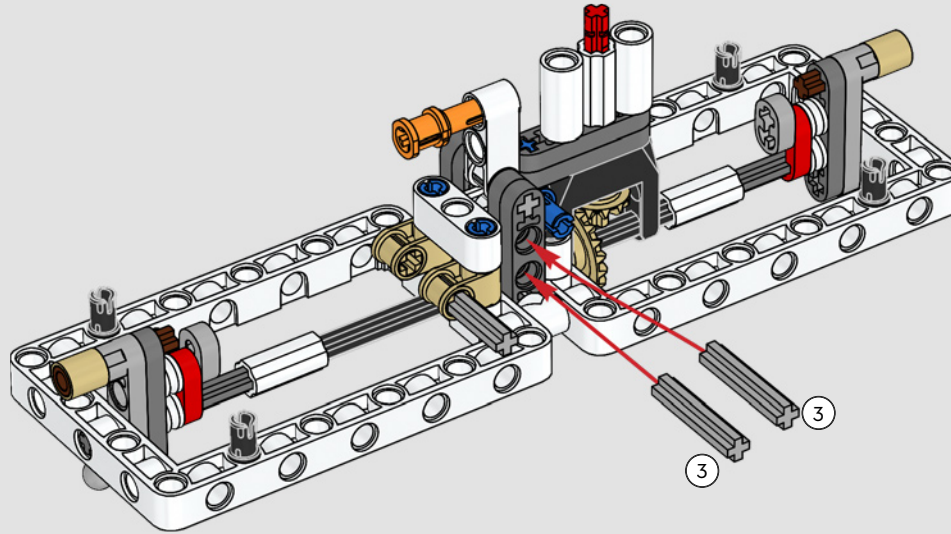


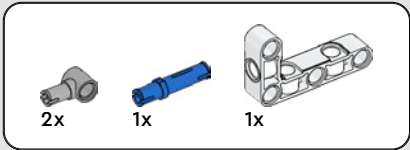
1:1



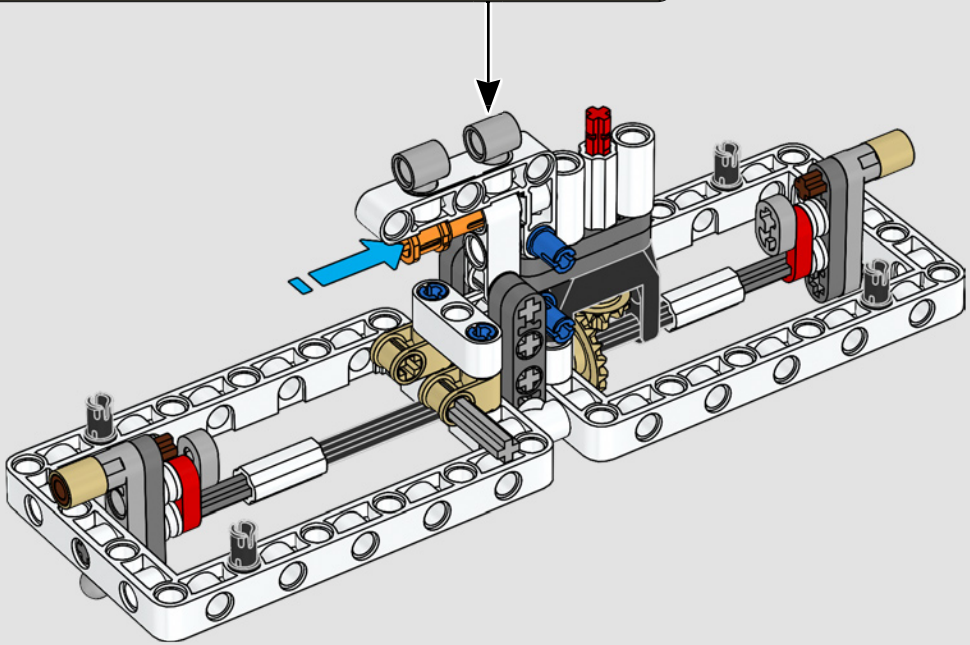
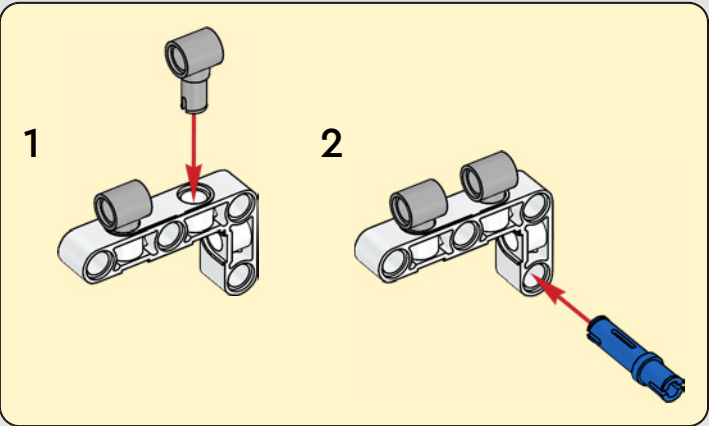


14

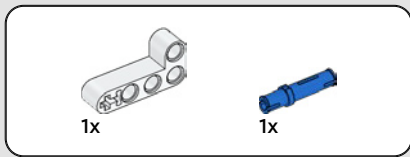




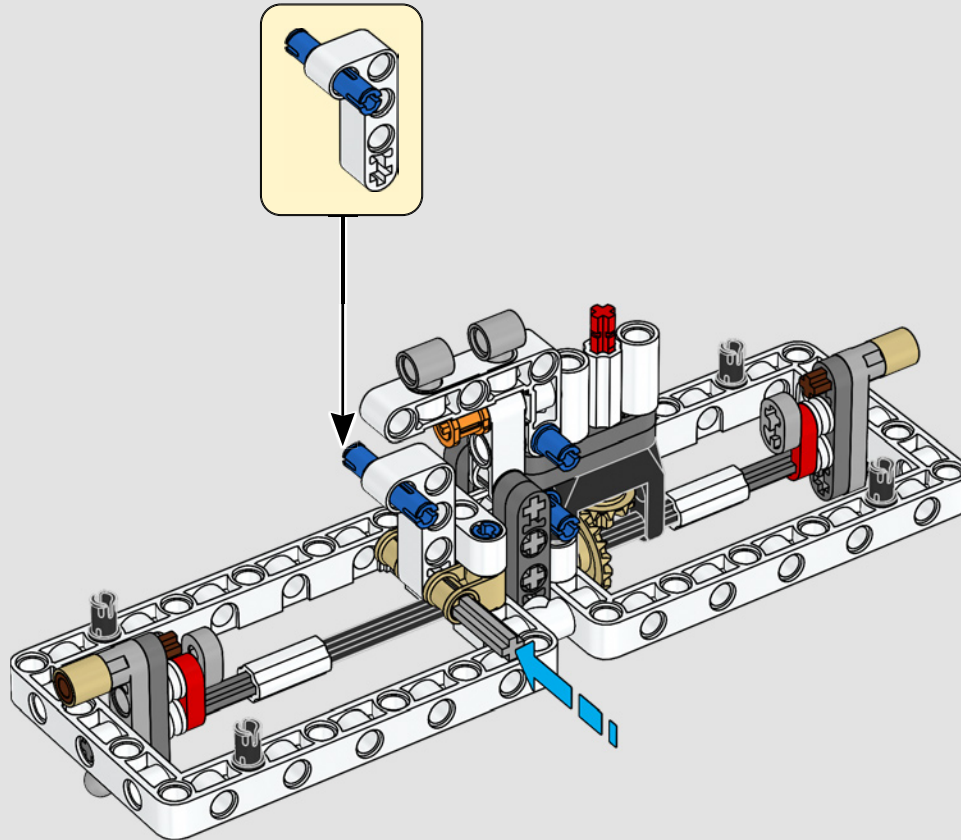
15







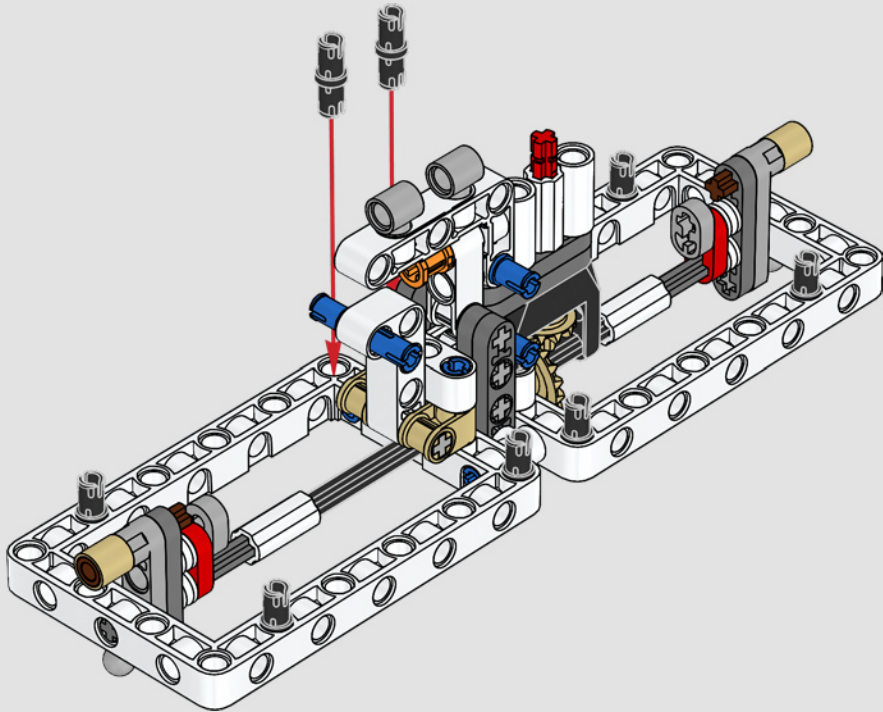
16





4x

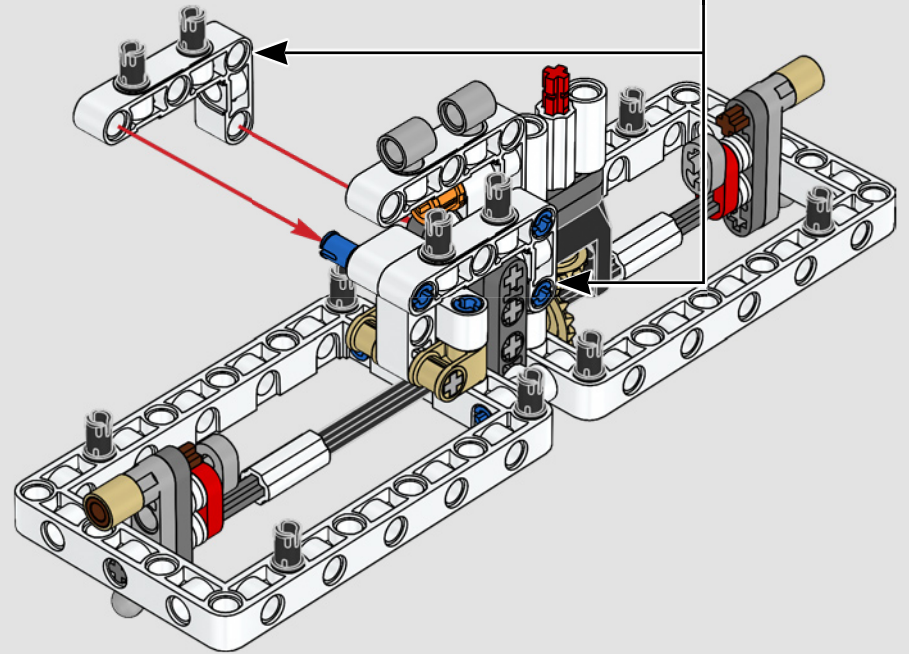
17



4x

2x

18



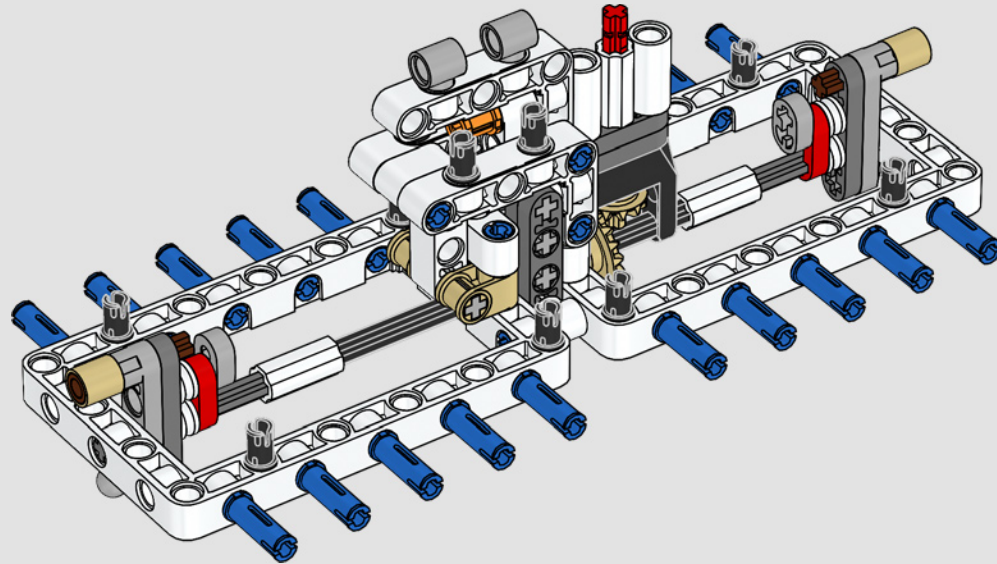
2x

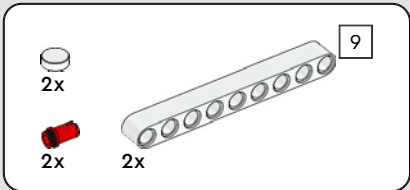




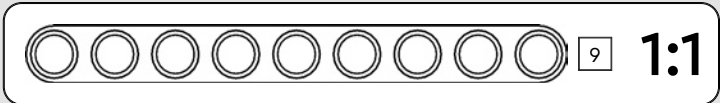
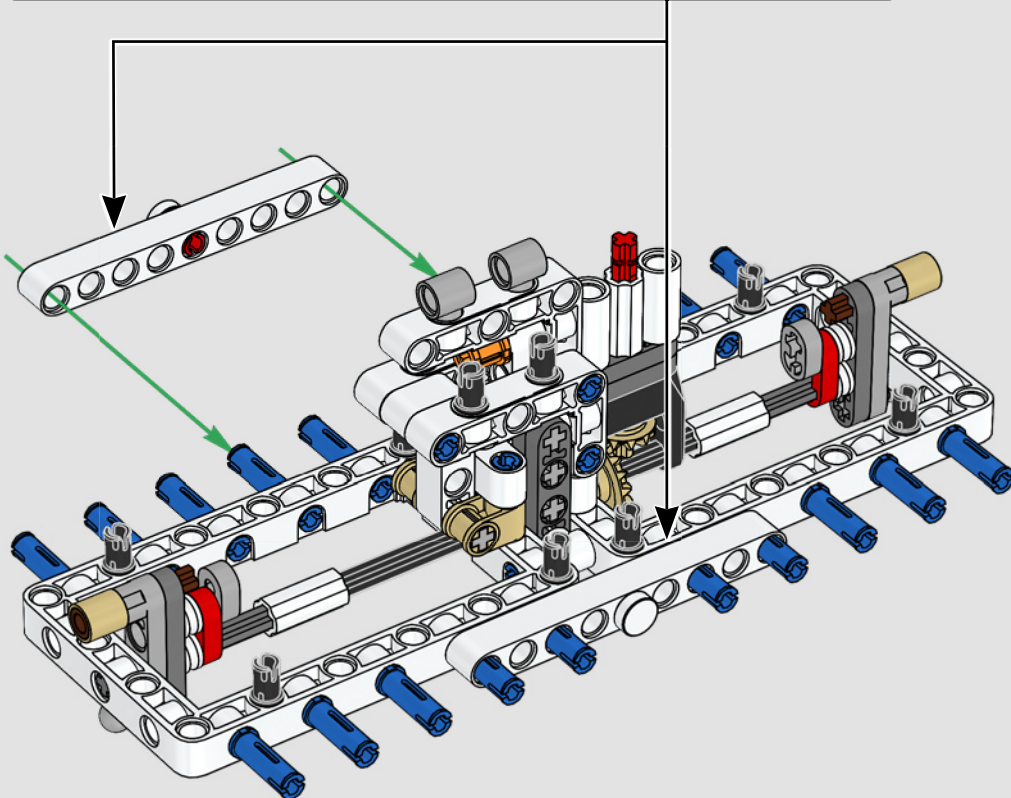
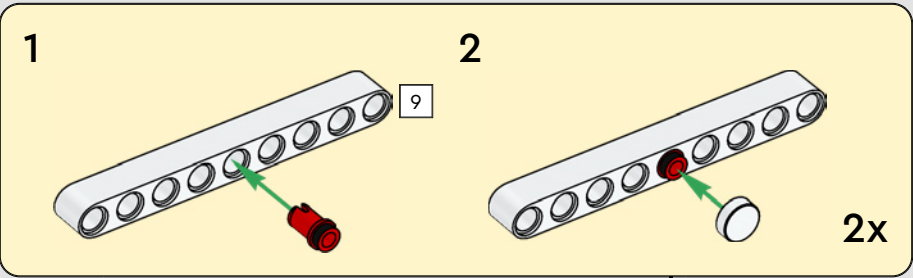
20x

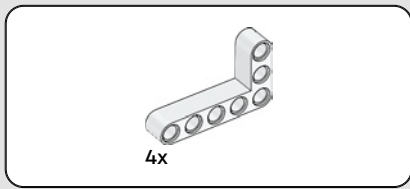
19



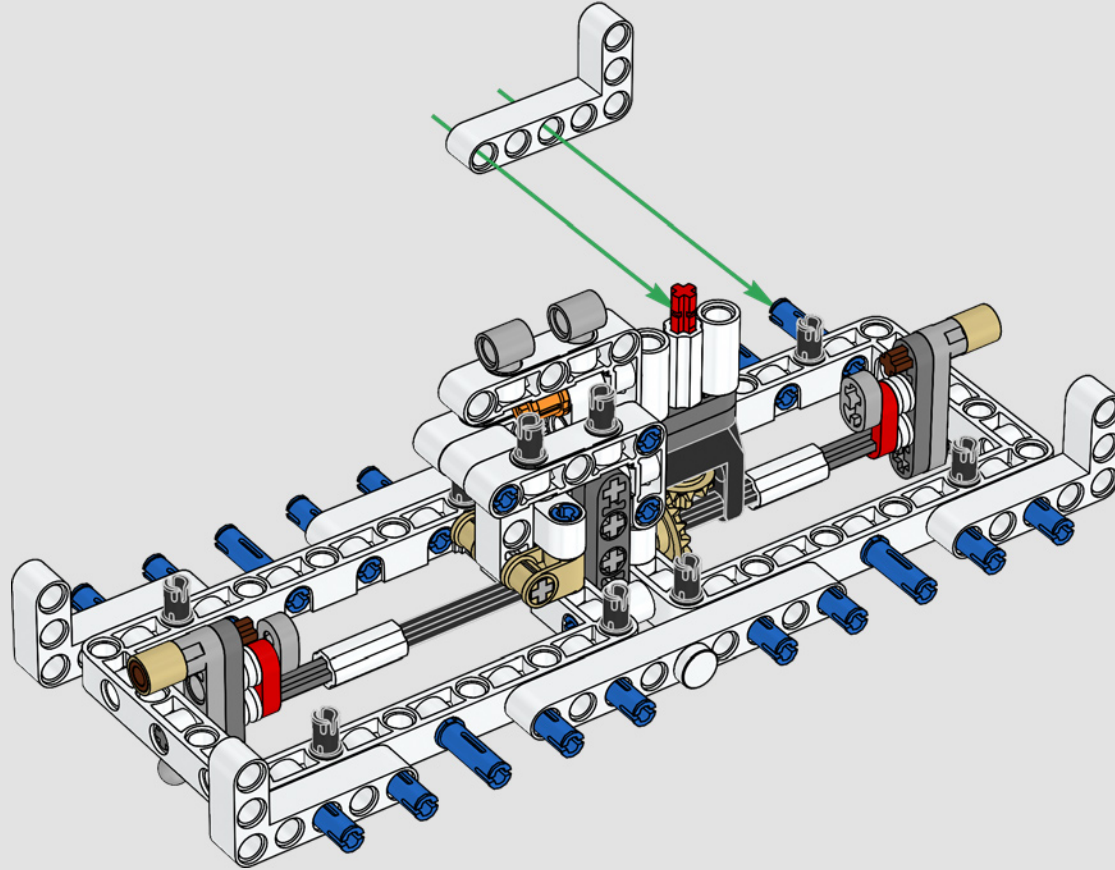


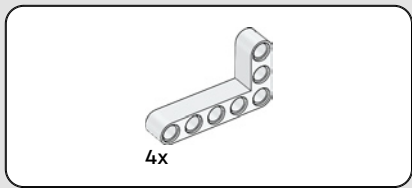
20



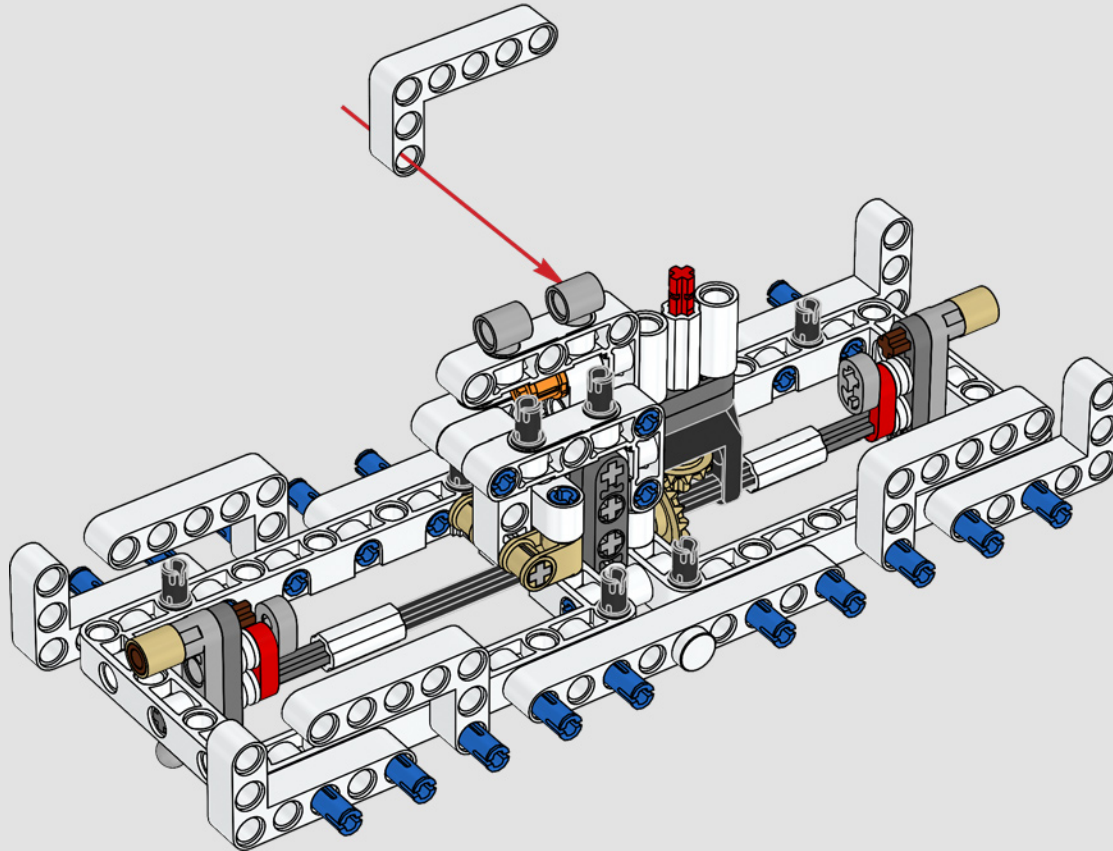


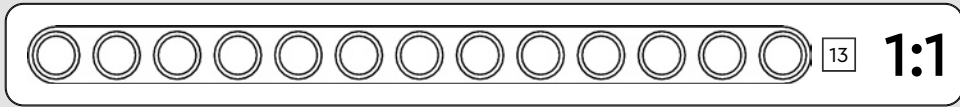
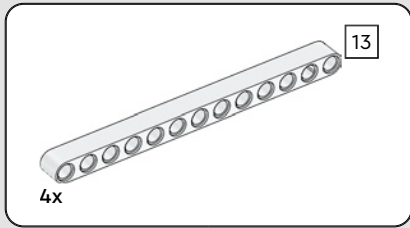
21



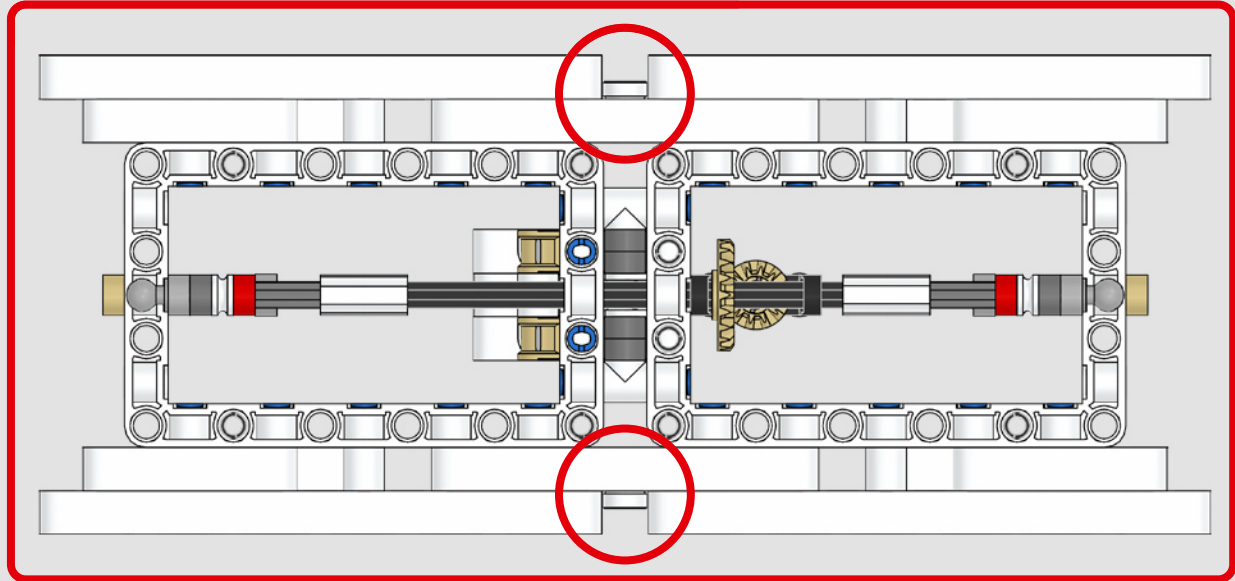
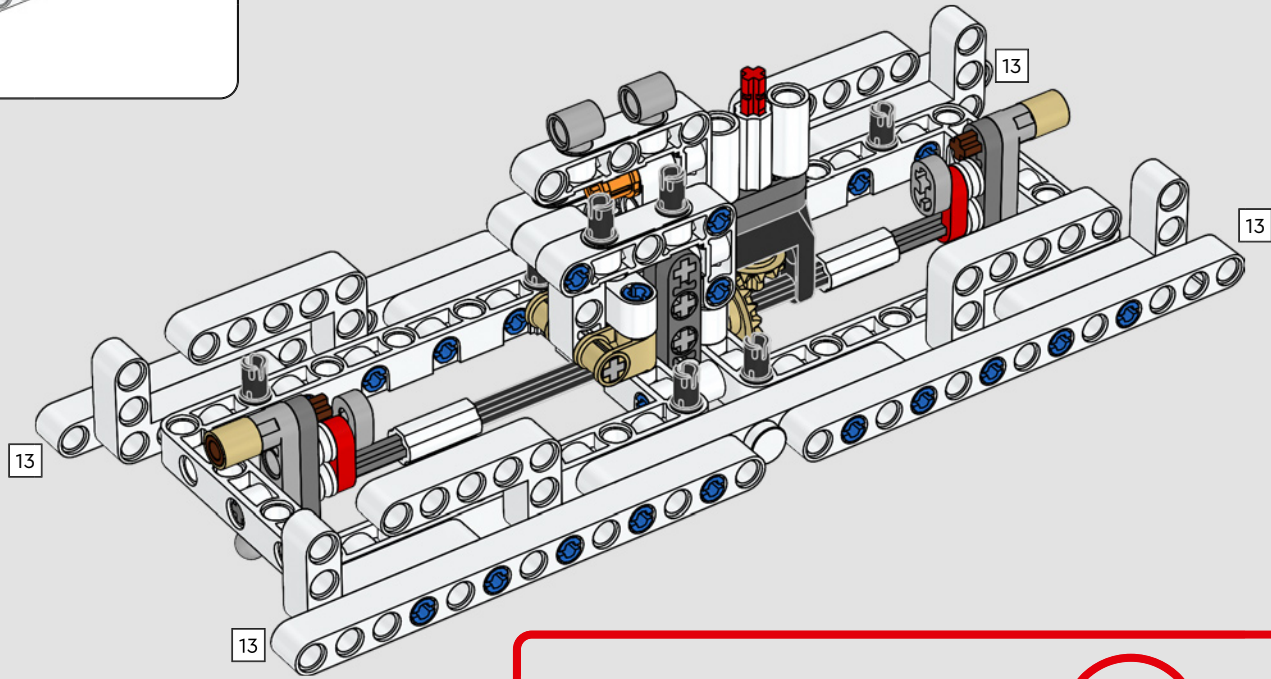


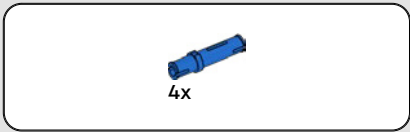
22



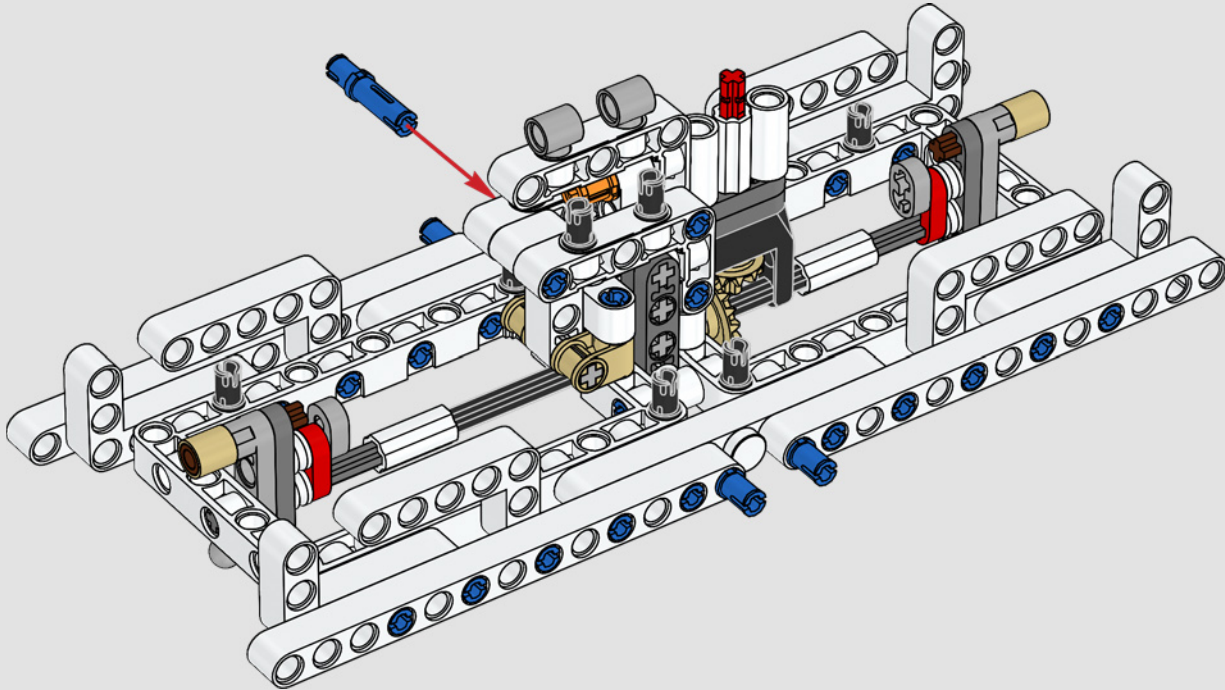


23

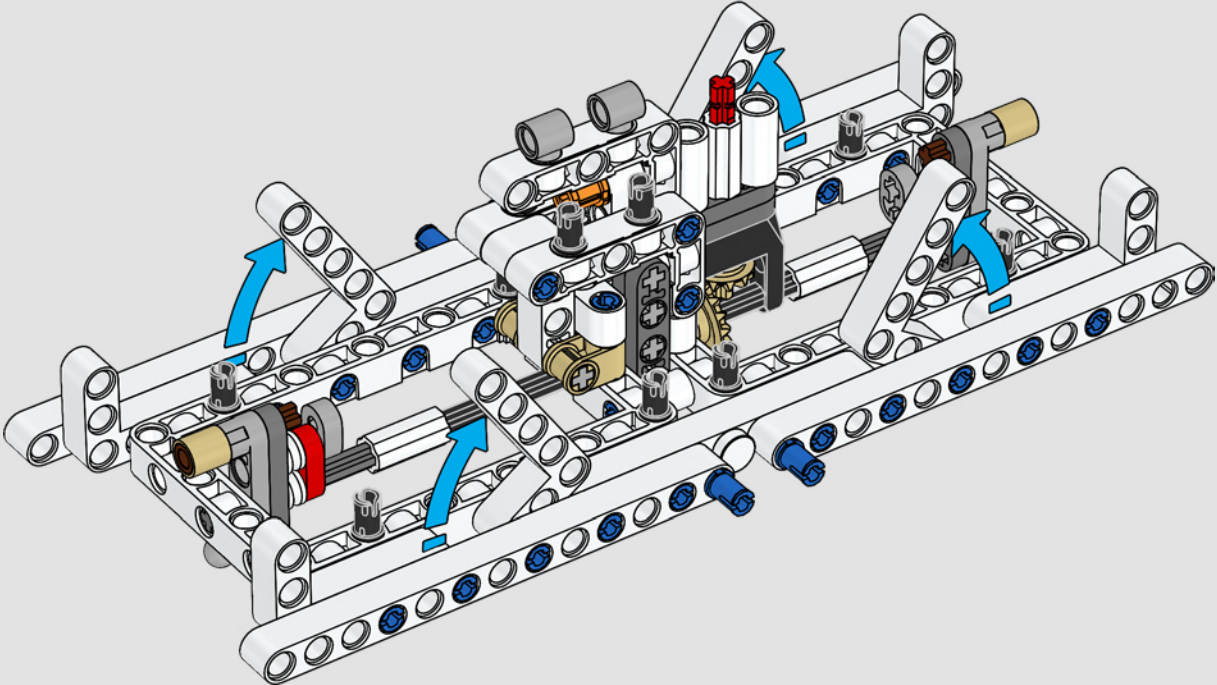


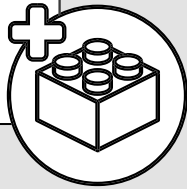
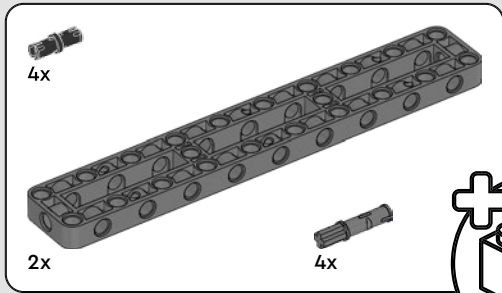
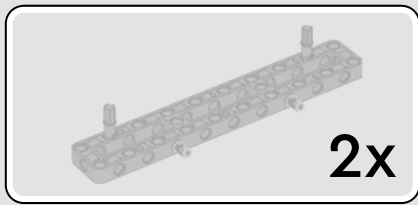


24



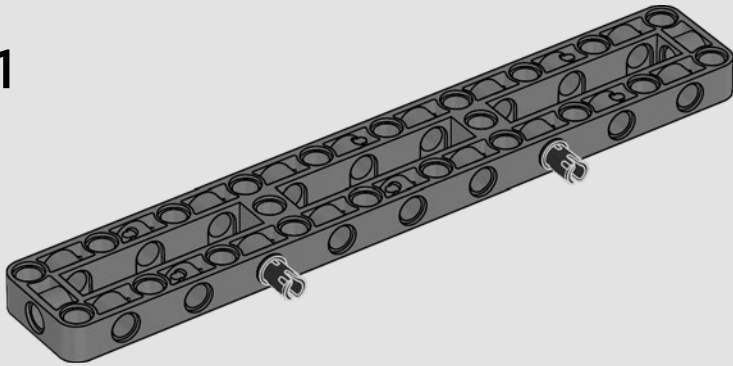




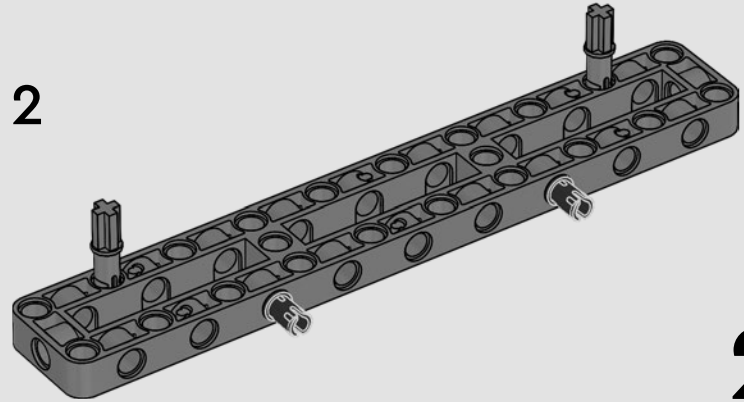


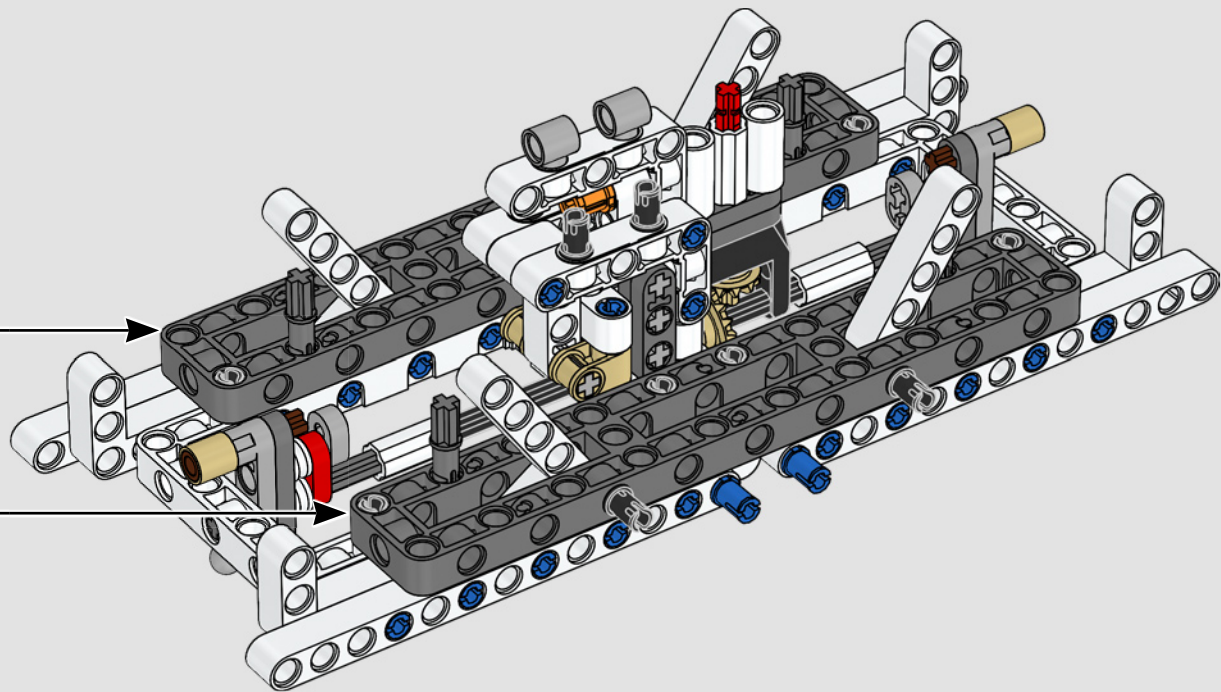
26

1

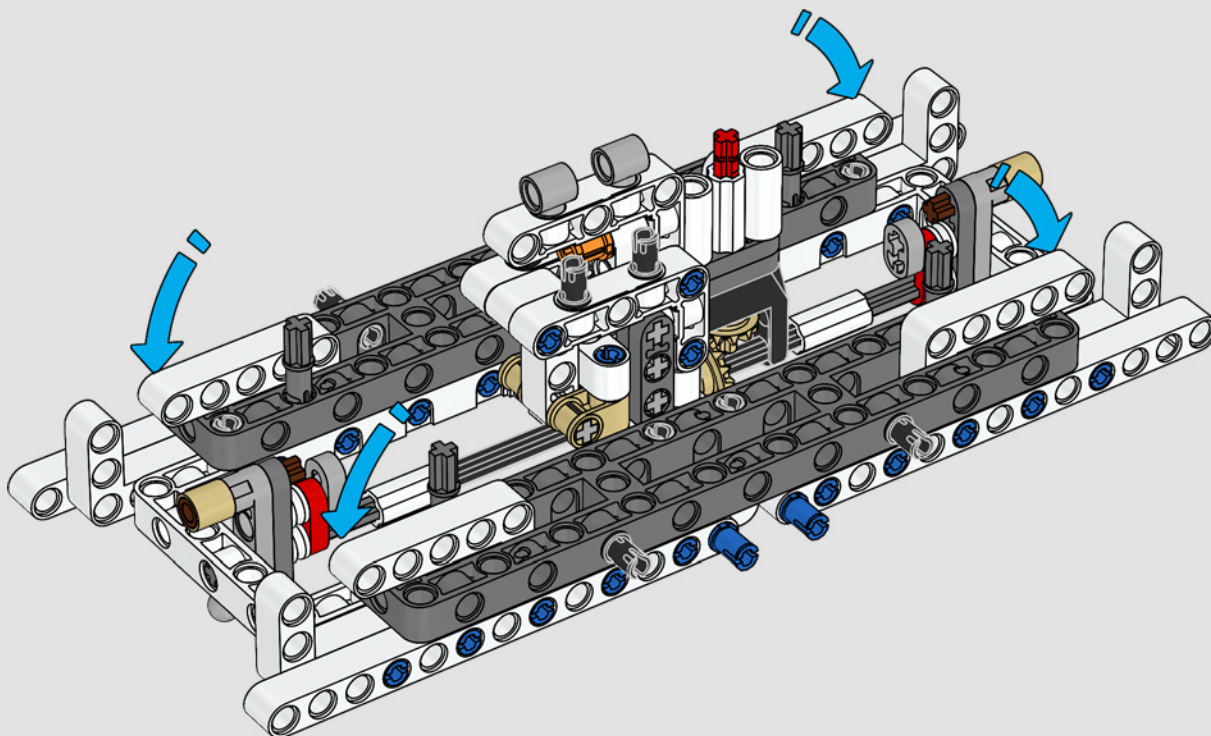


2

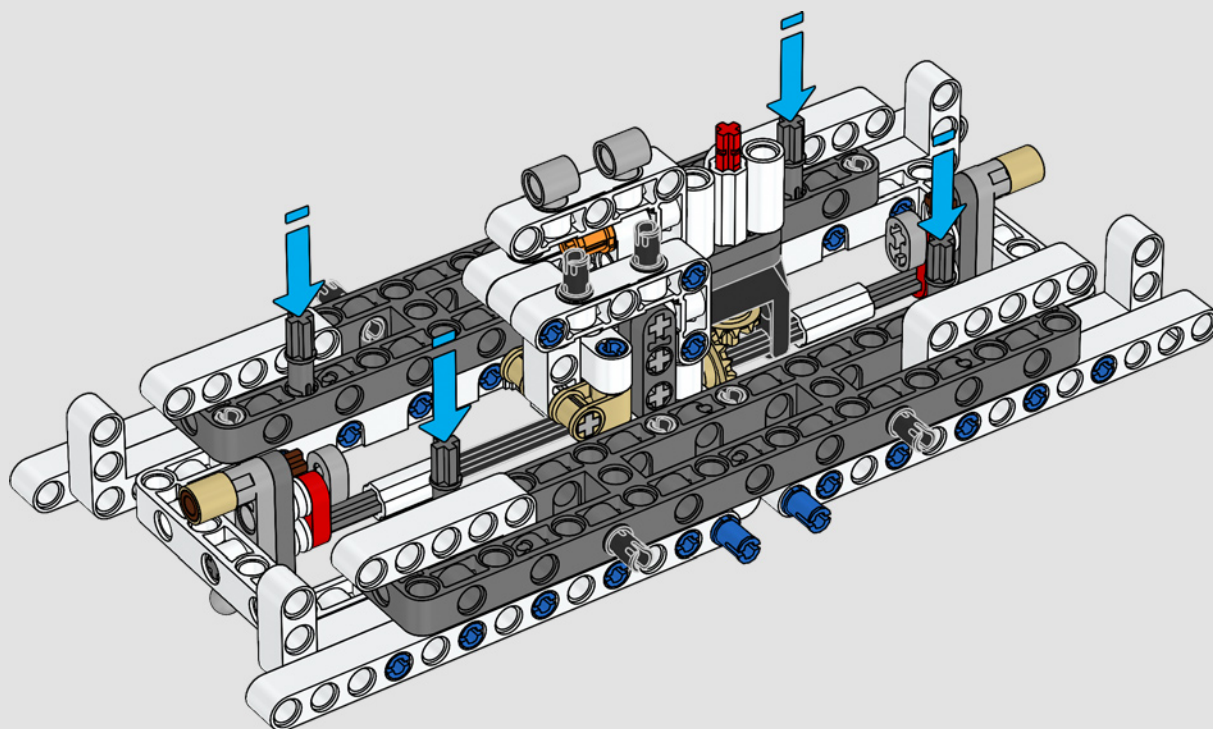




27



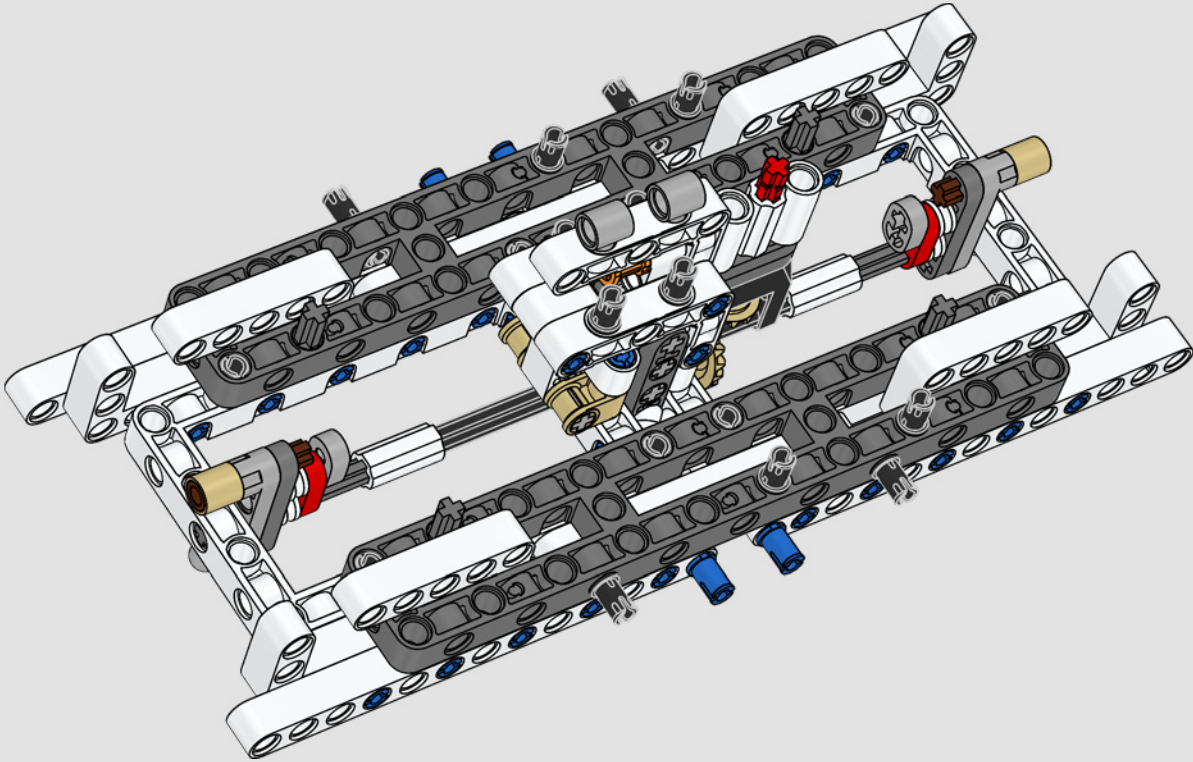
28

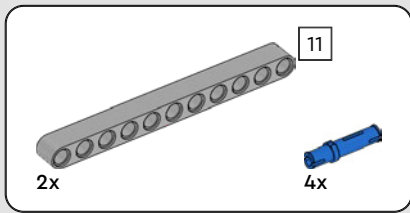




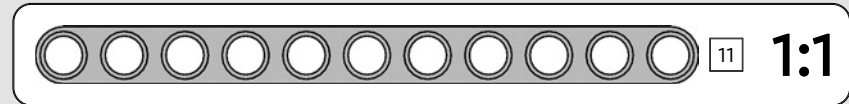
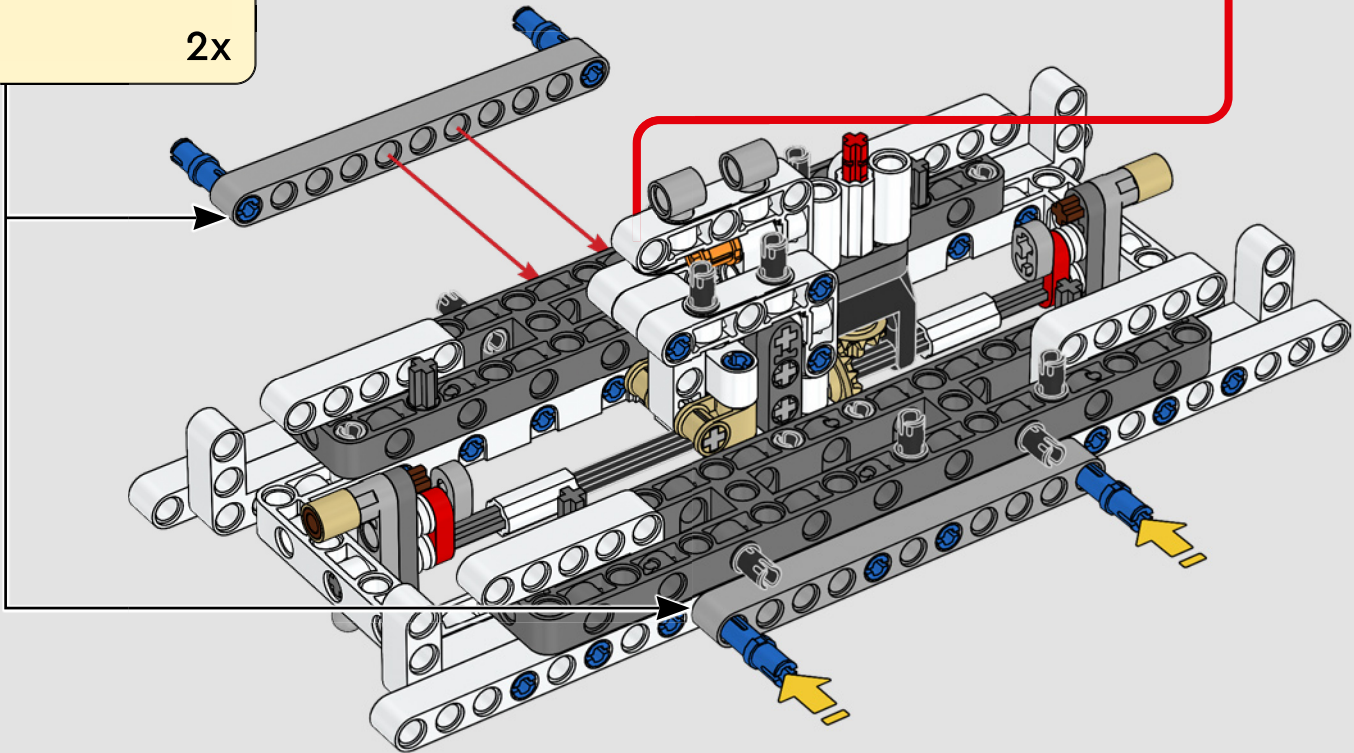
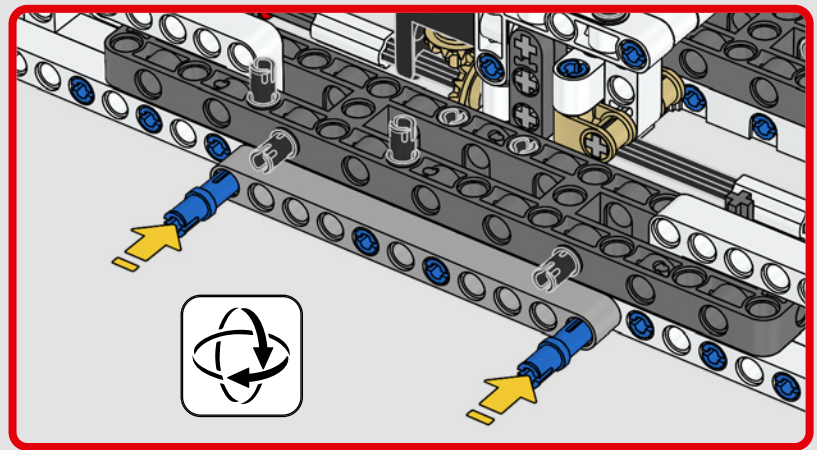
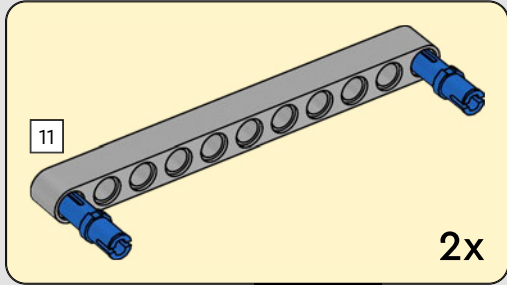
4x

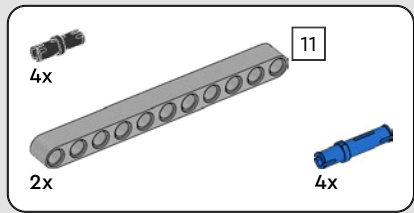
29



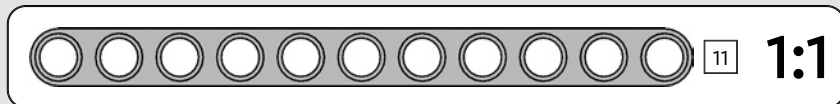
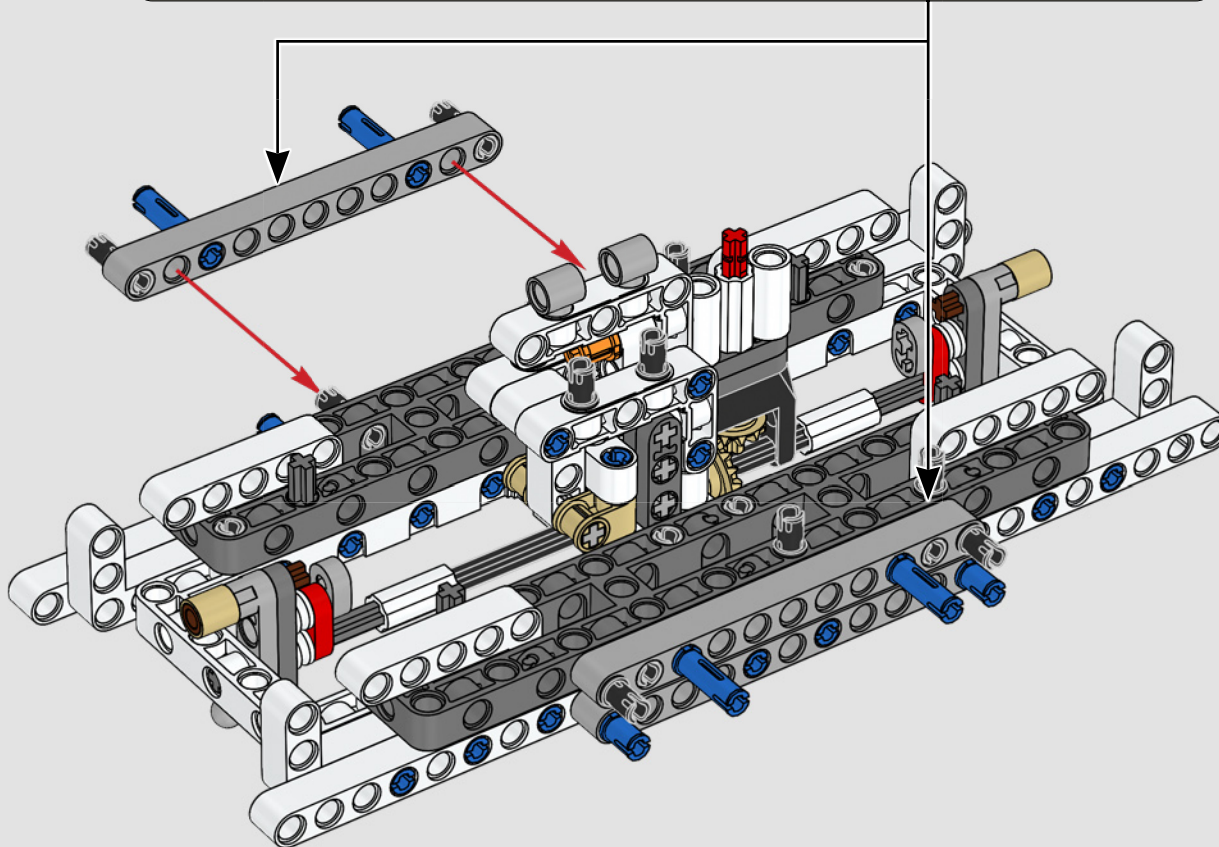
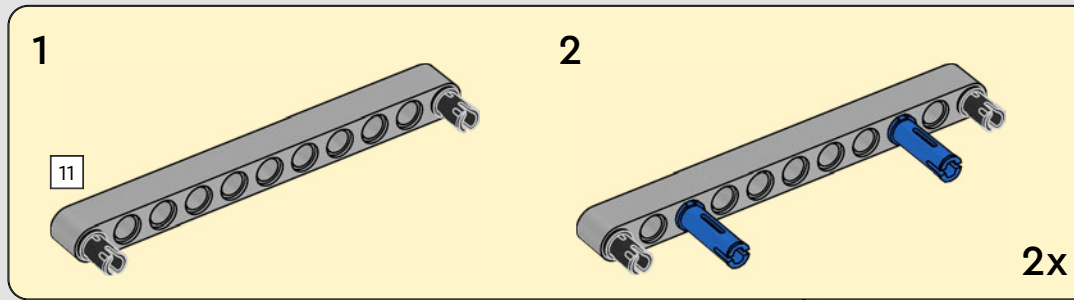


30





31

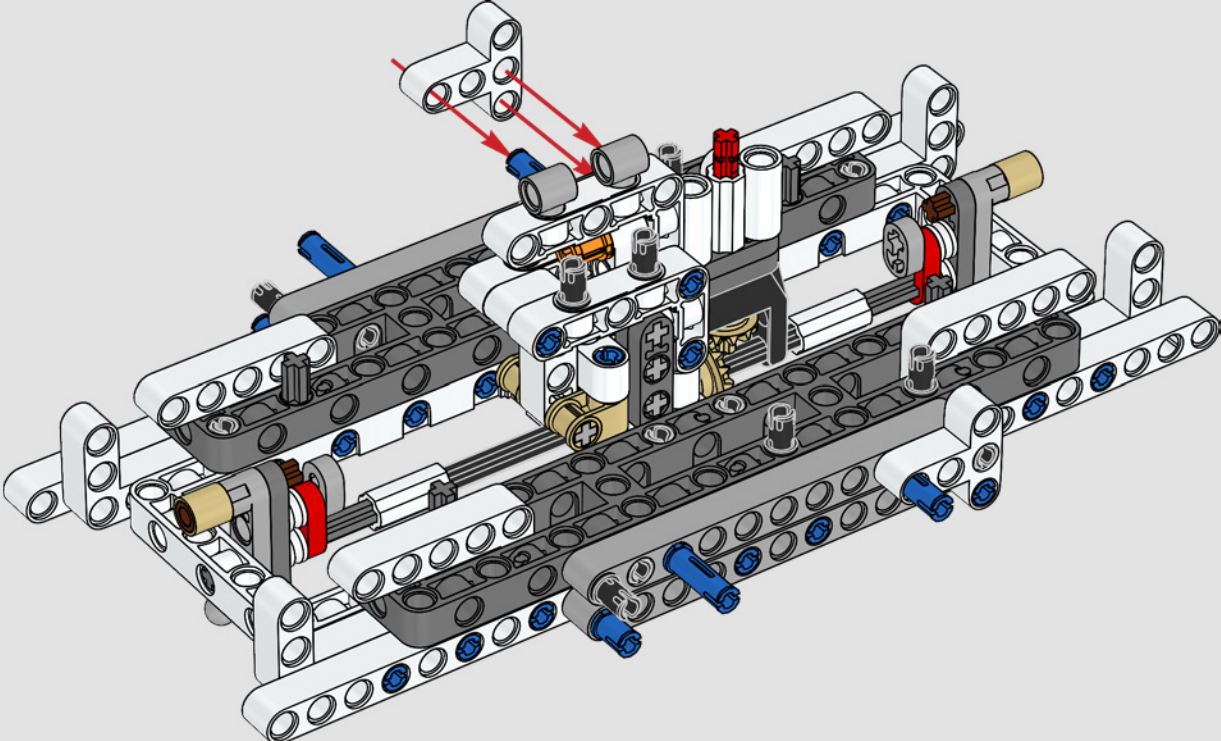


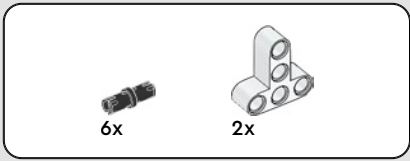




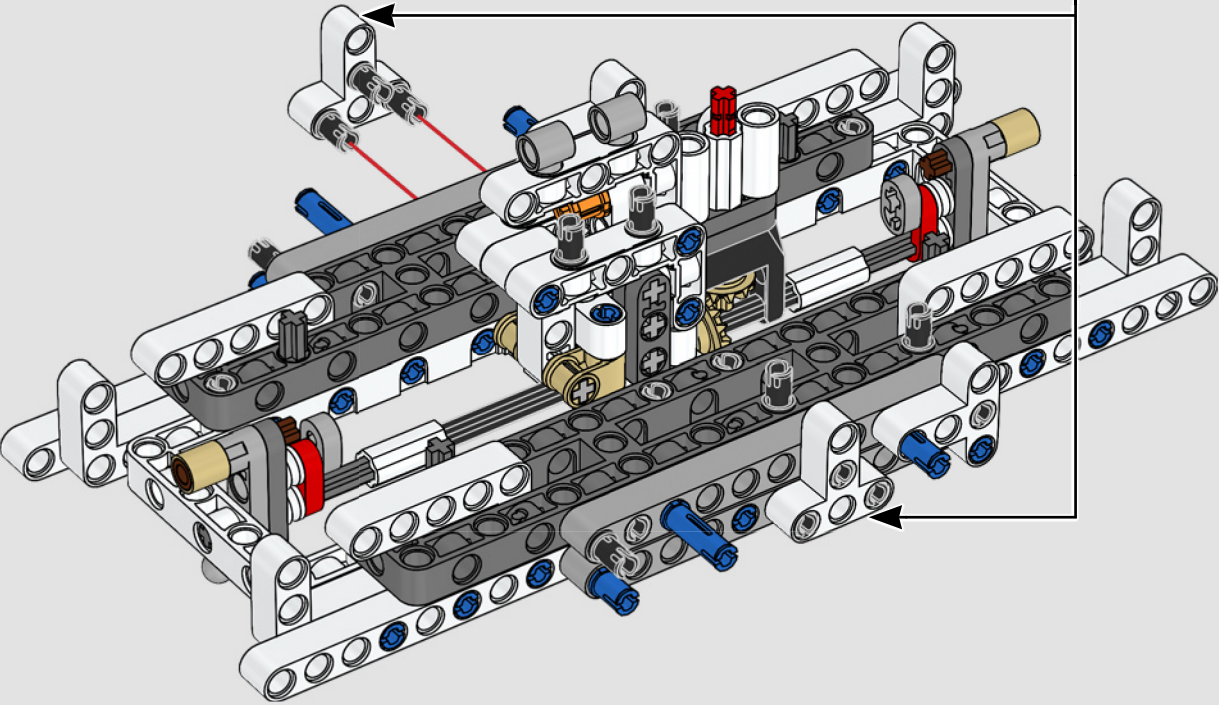
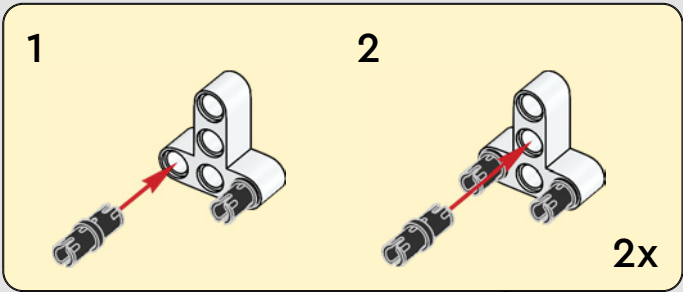
2x

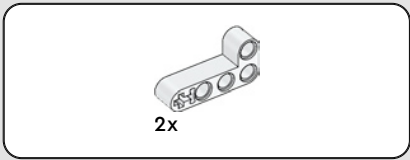
32



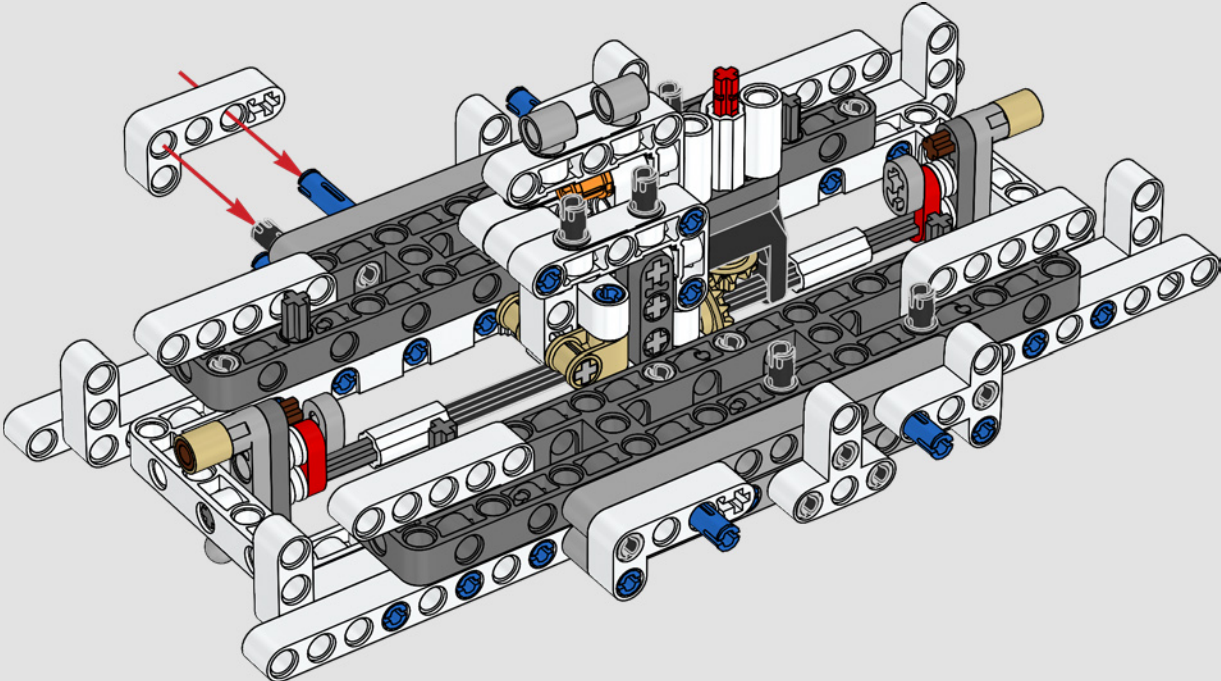


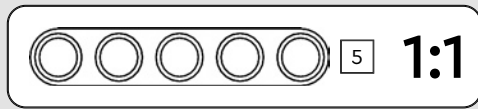
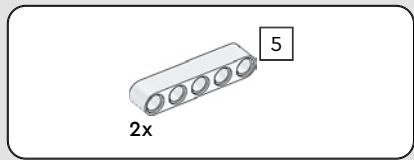
33



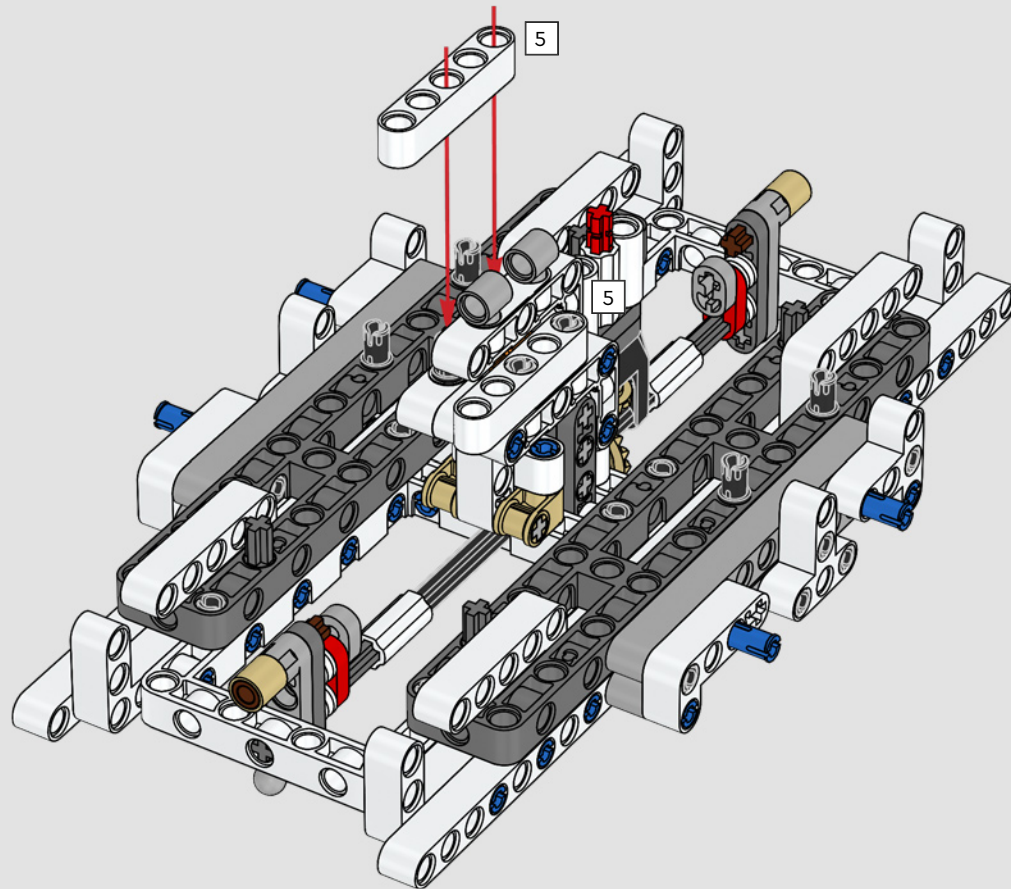


34

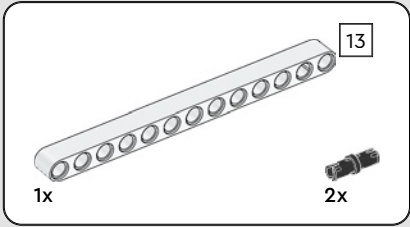
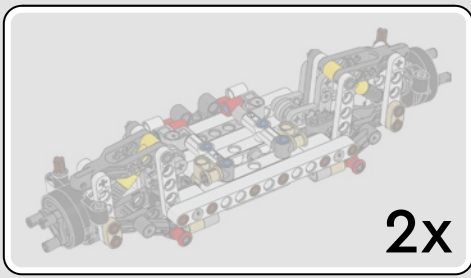




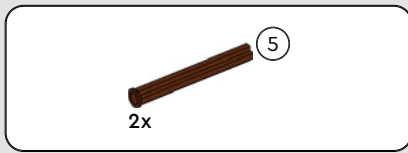
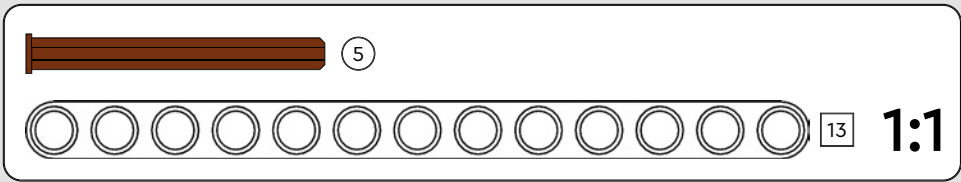
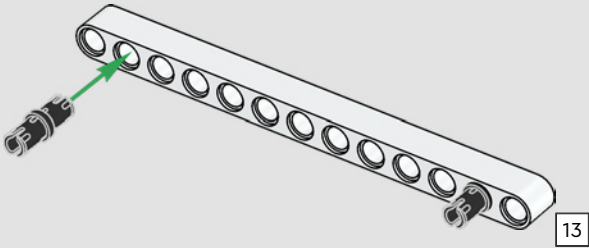
35



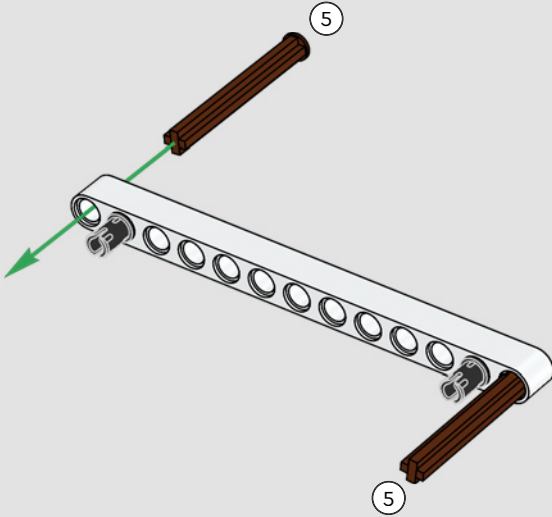


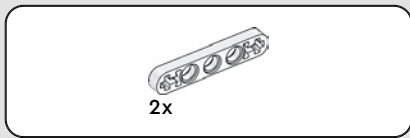


36

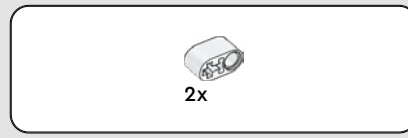
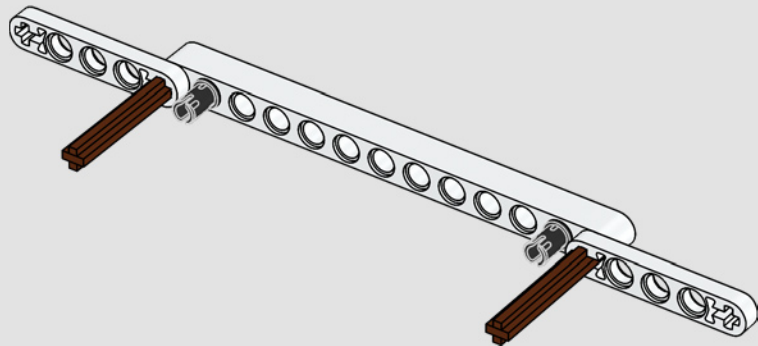


37

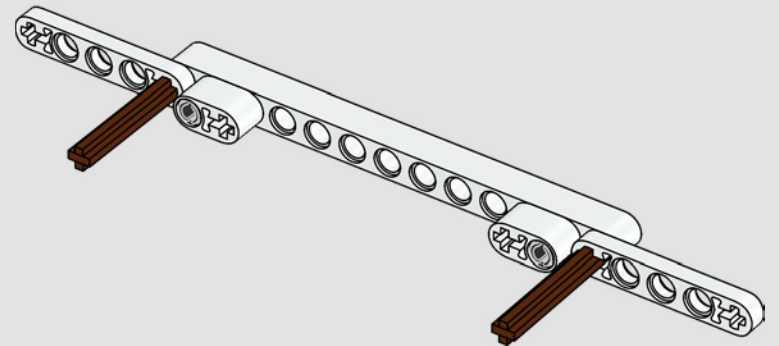


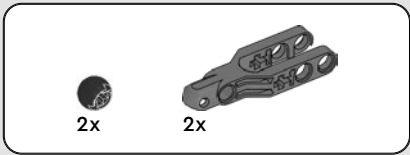


38

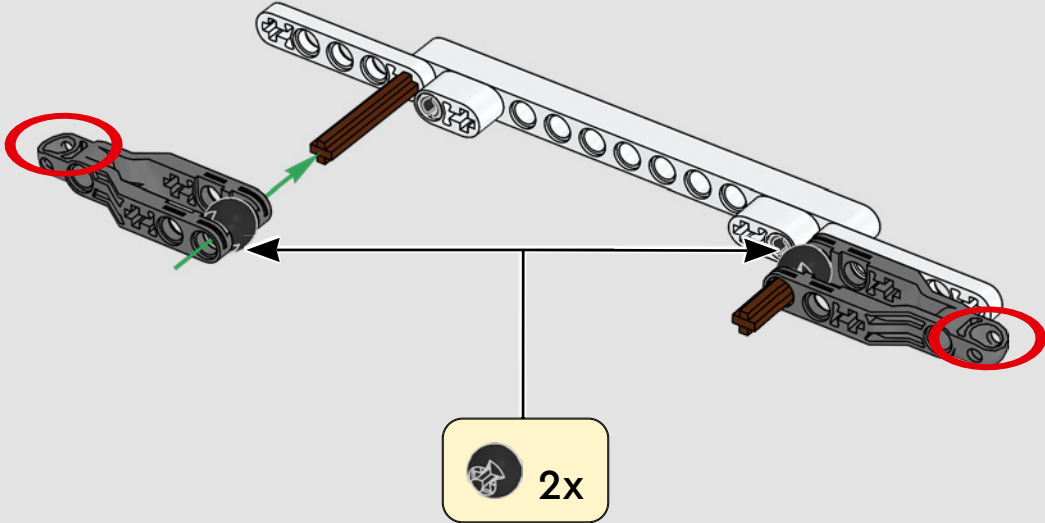
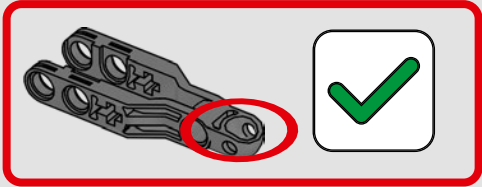


39

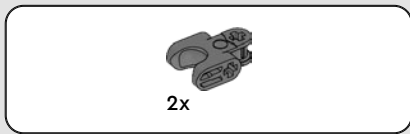




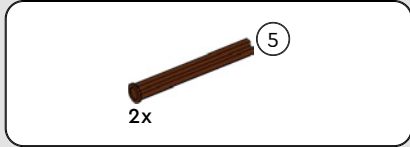
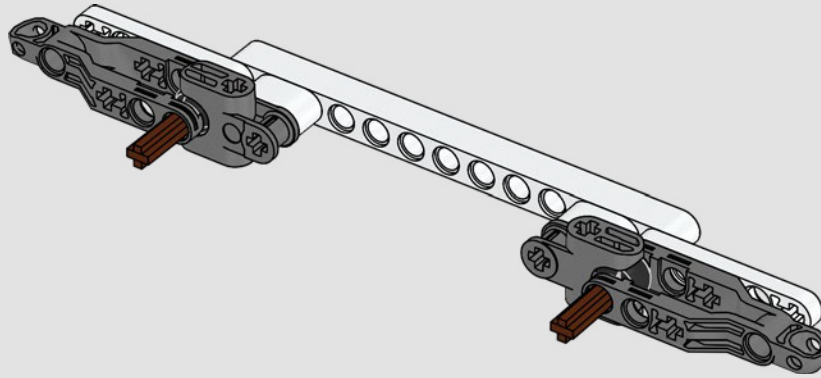
40



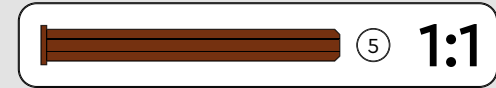
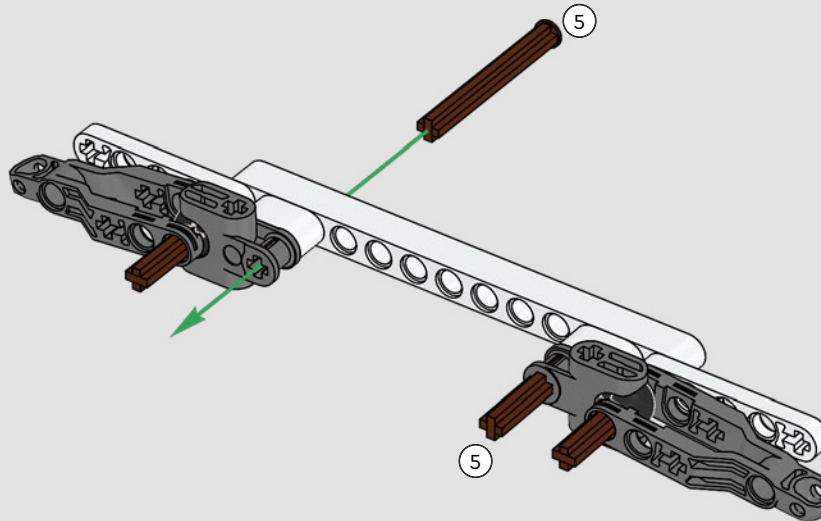




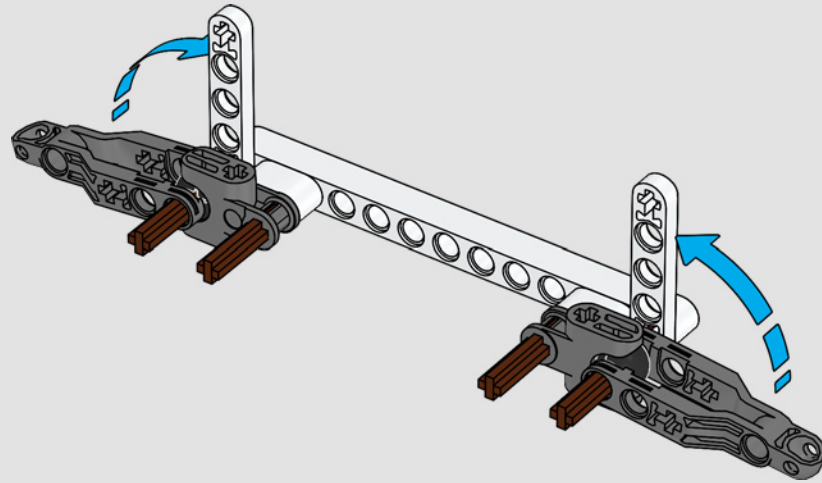
41



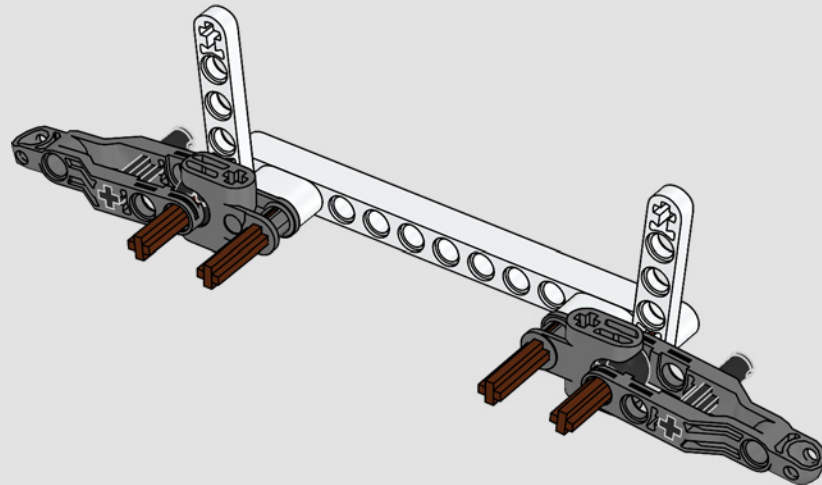
42

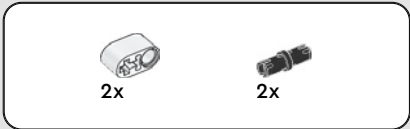


43

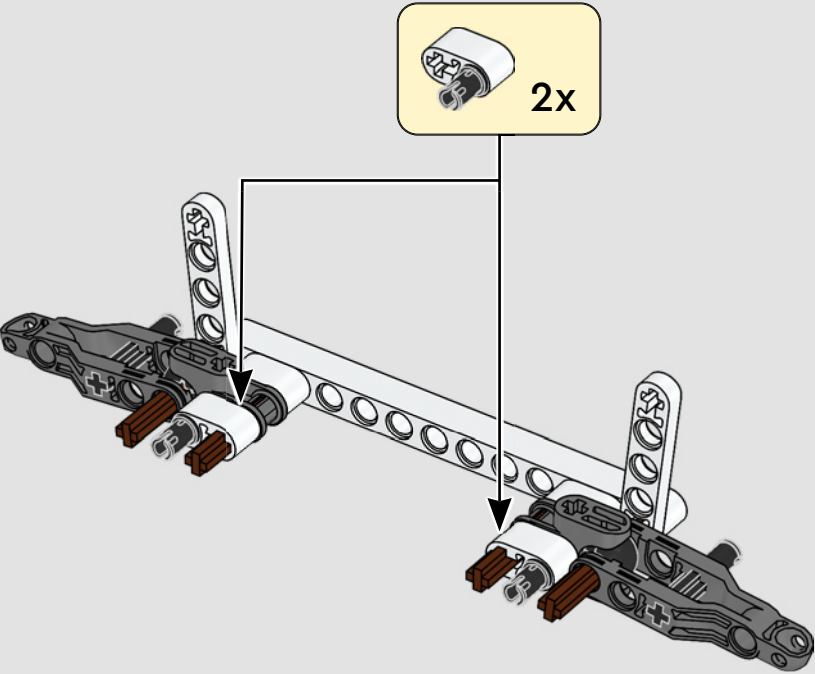


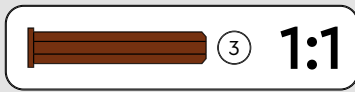
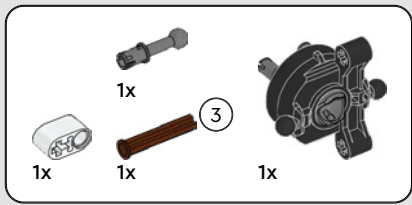
44



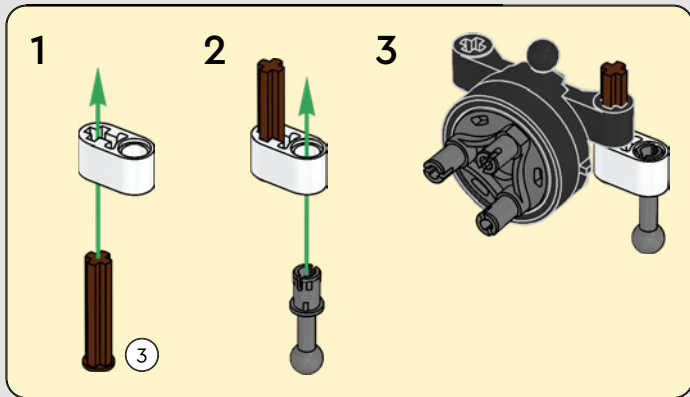
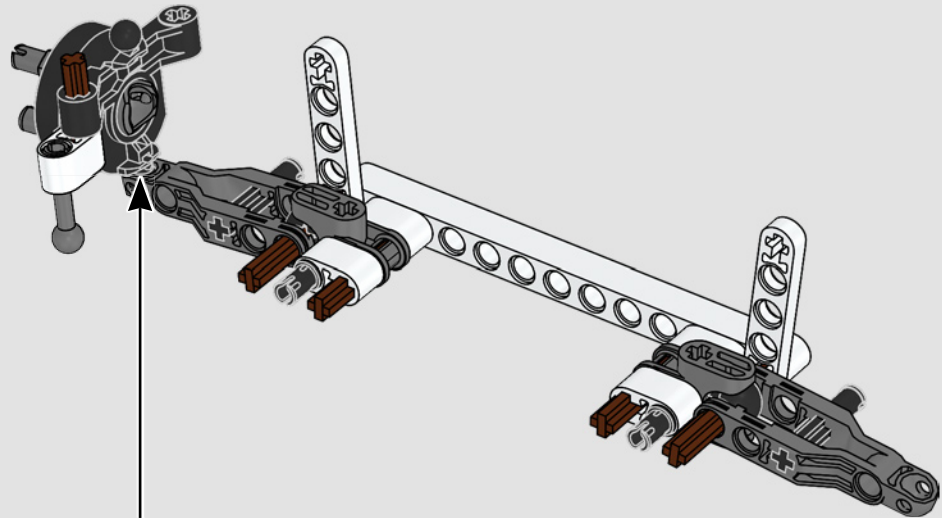


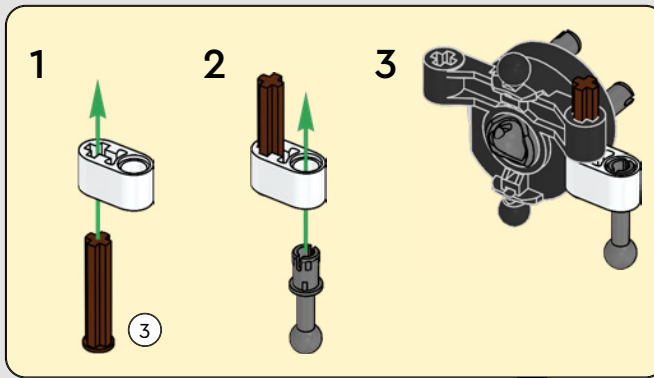
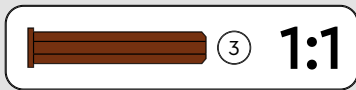
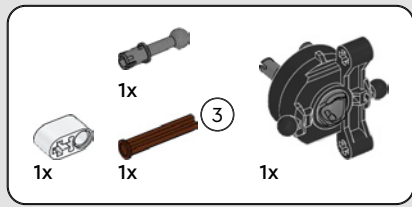
45



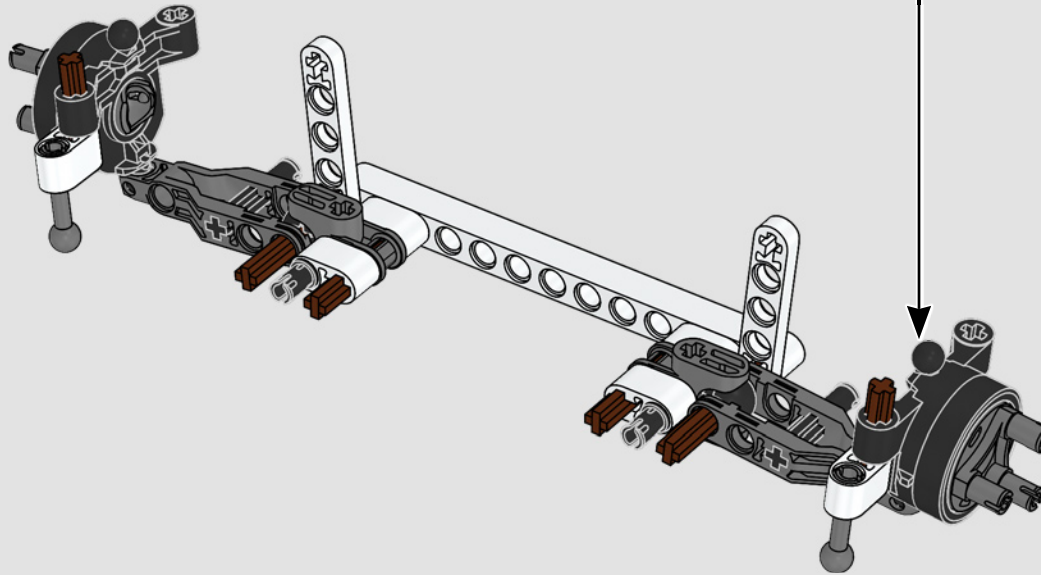


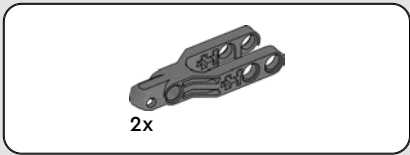
46



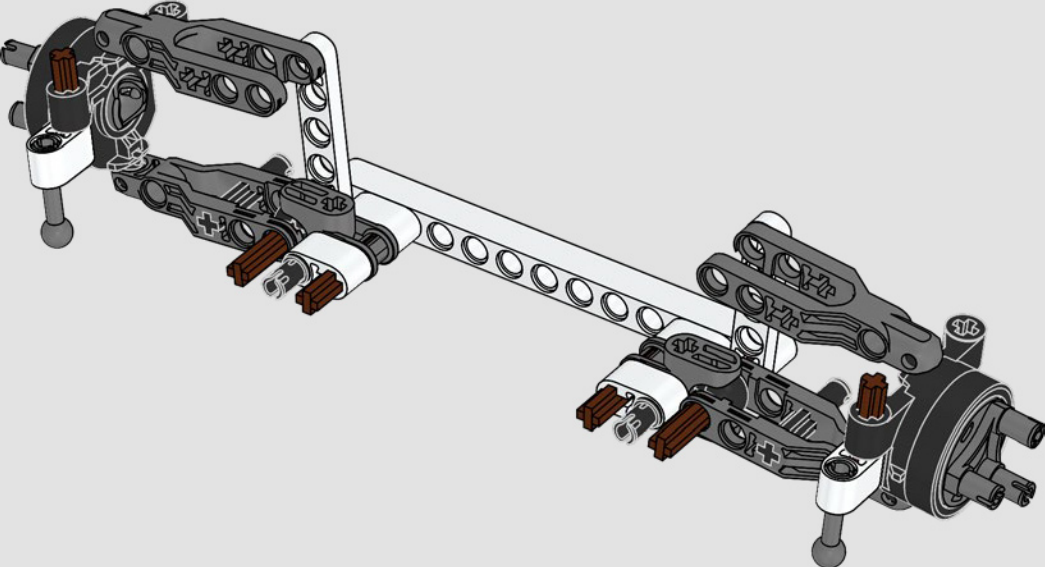


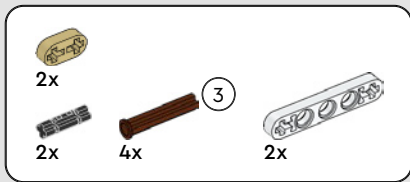
47



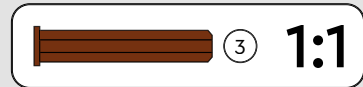
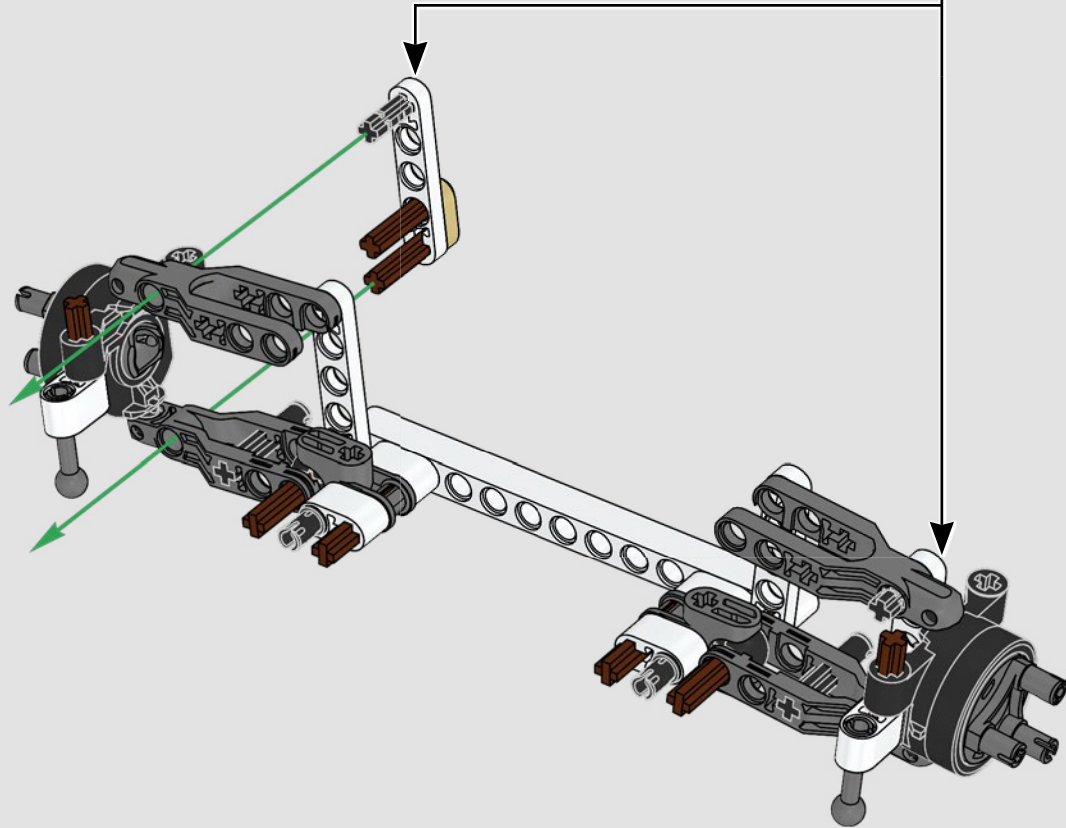
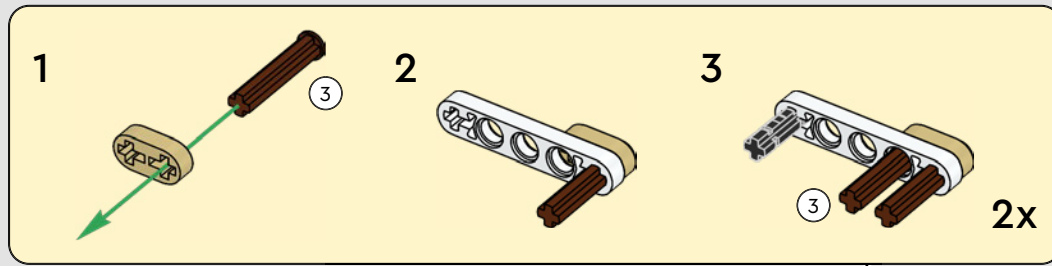


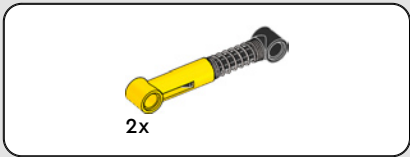
48



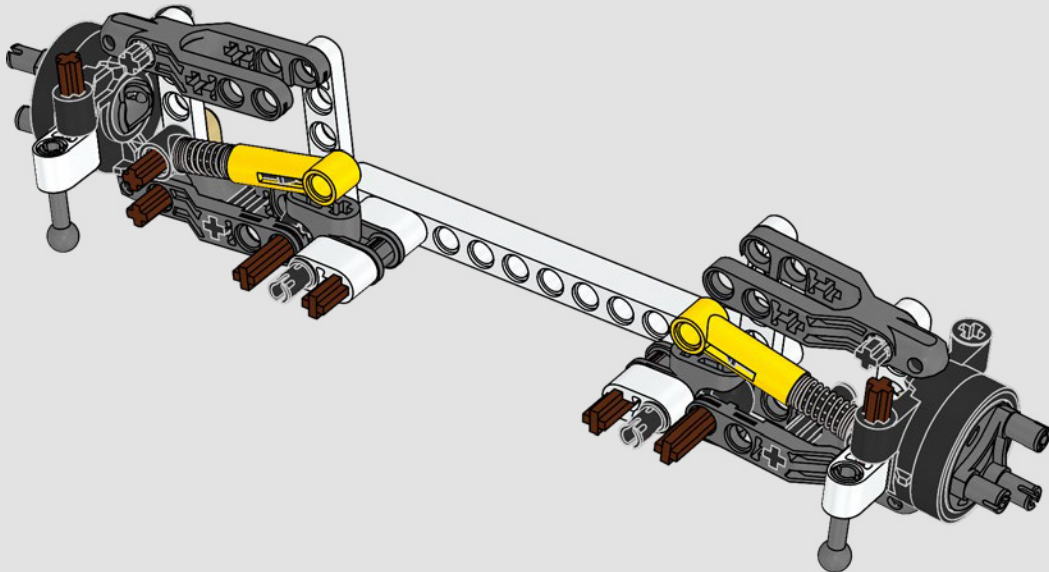


49

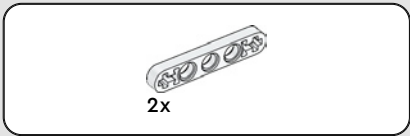




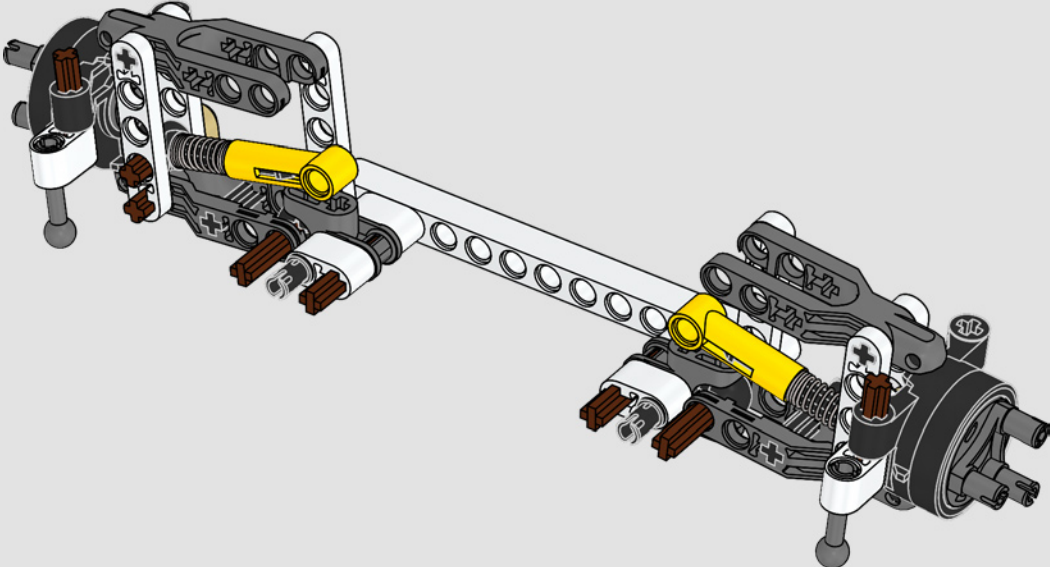
50

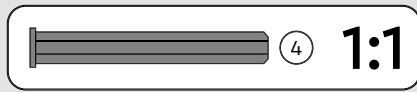
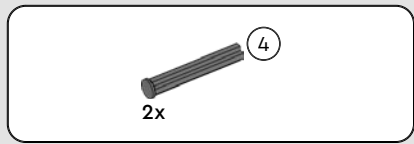




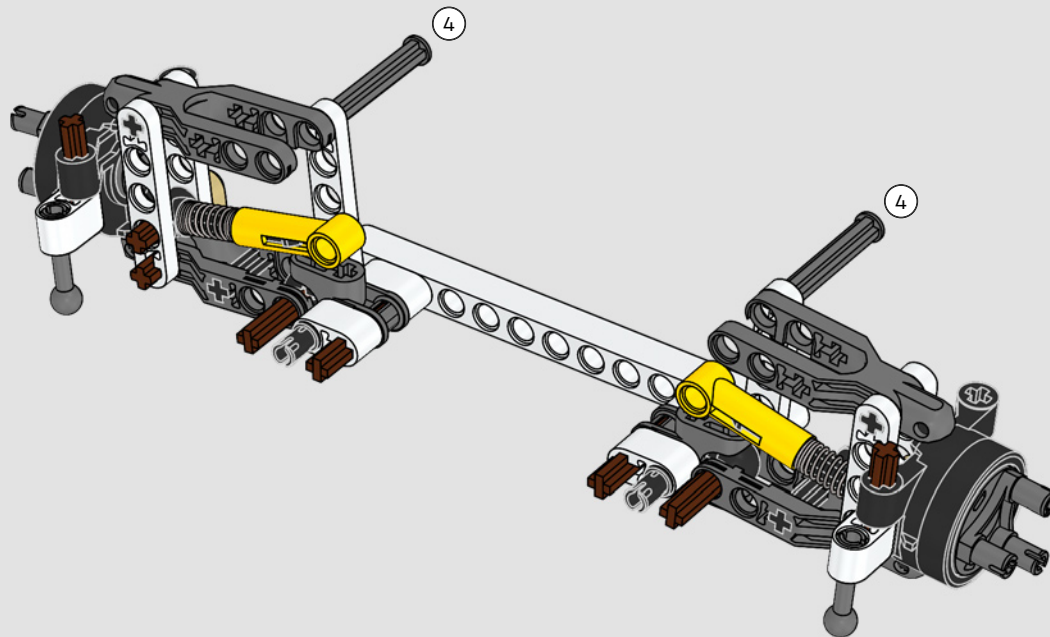


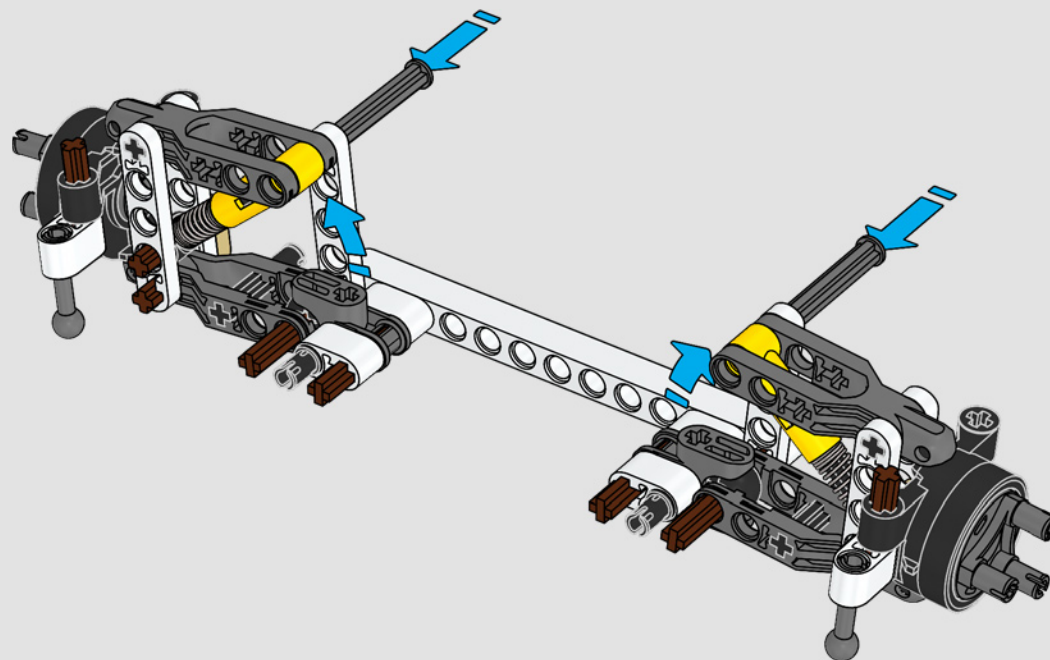
51

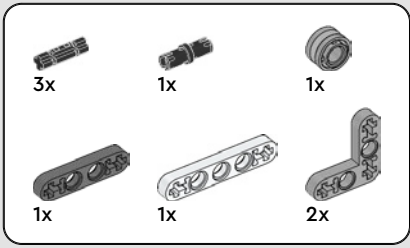




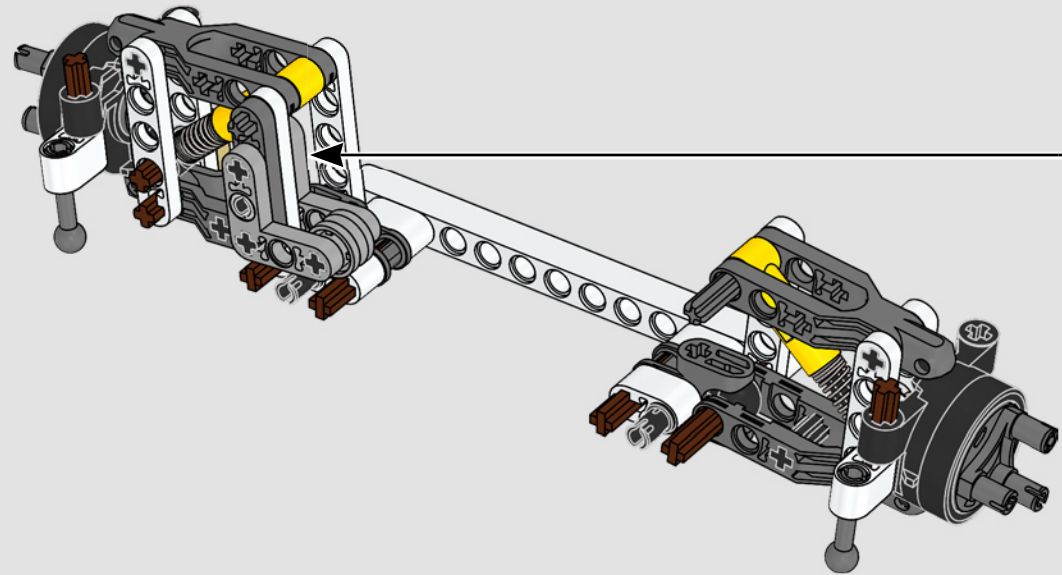
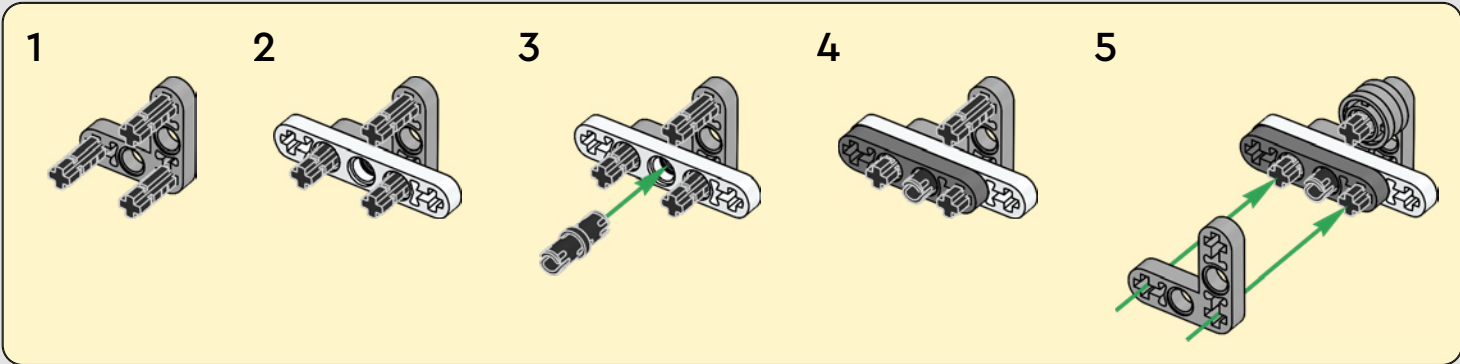
52

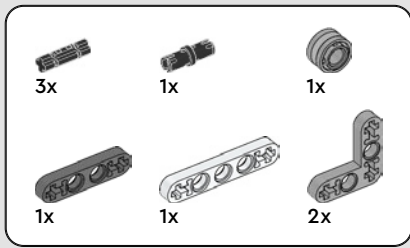




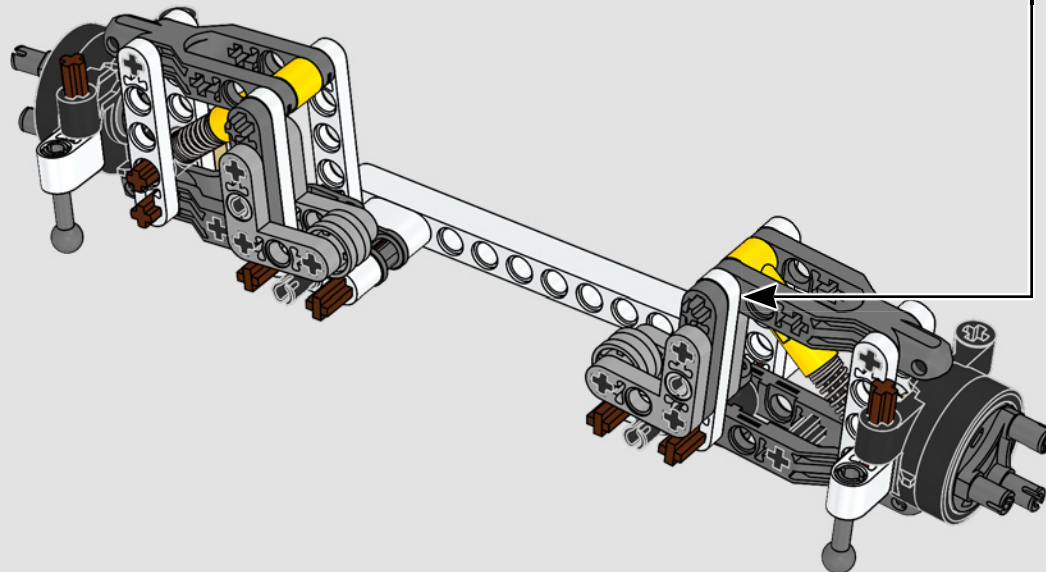
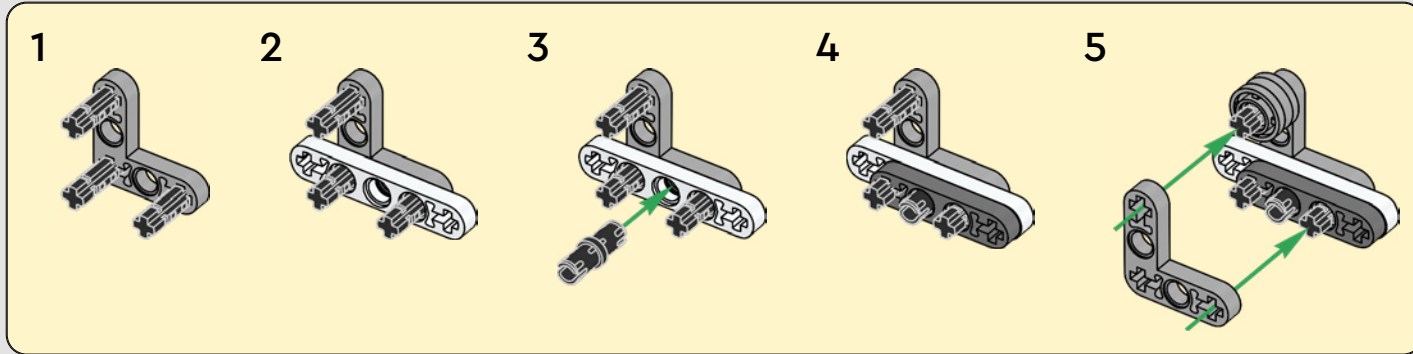


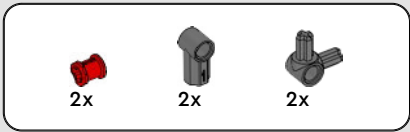
# 54



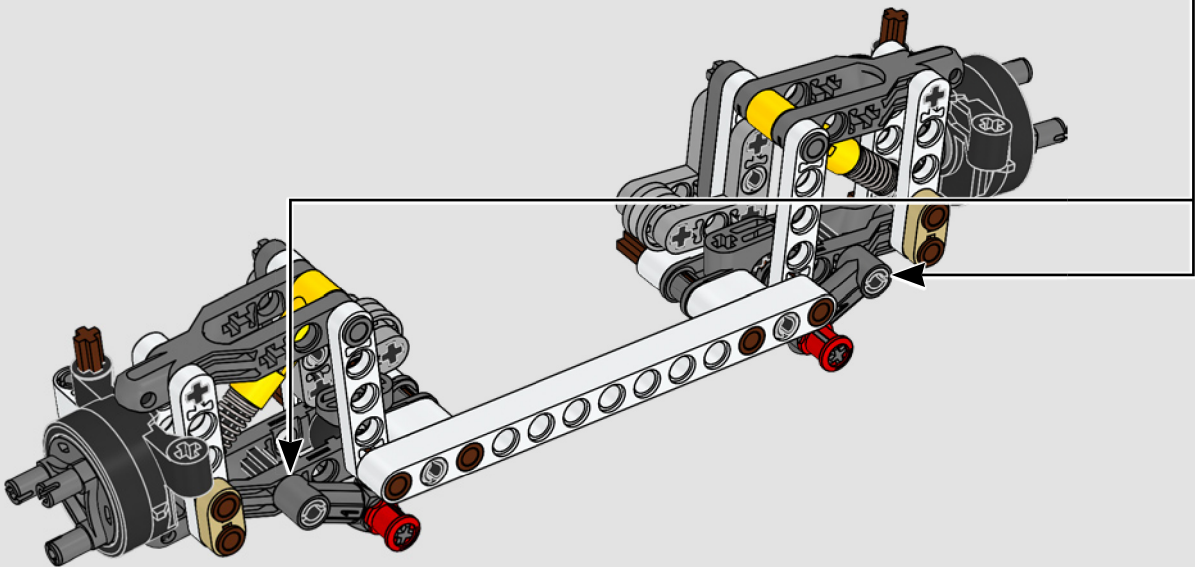
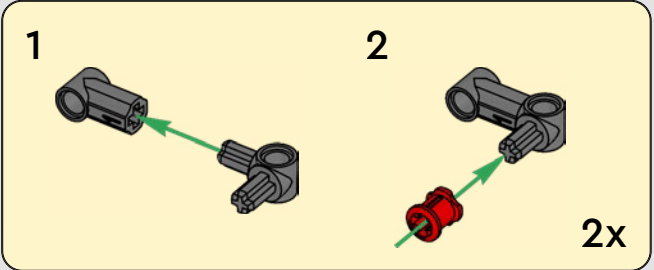


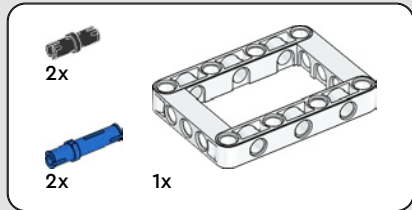
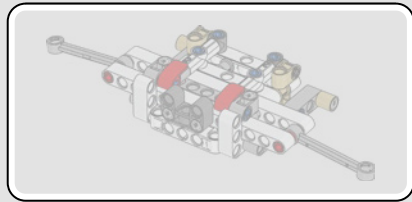
55



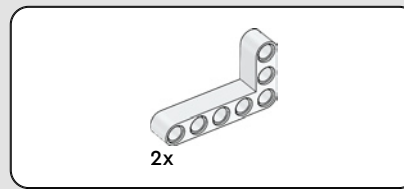
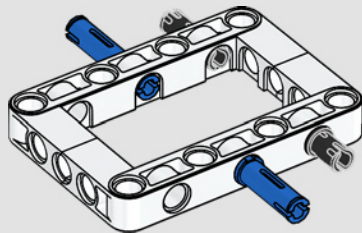


# 56

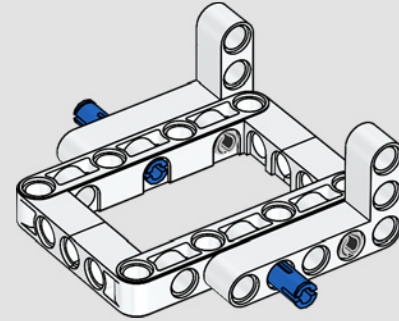




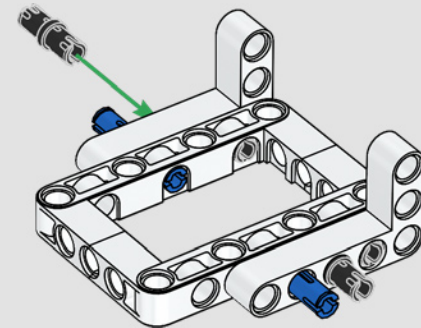
57

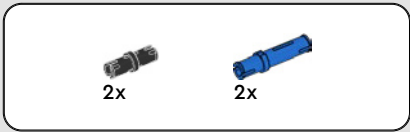


58

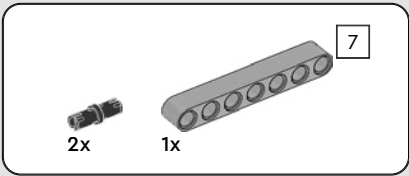
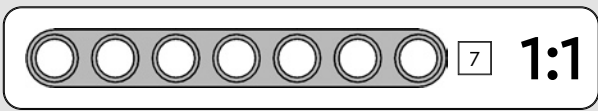
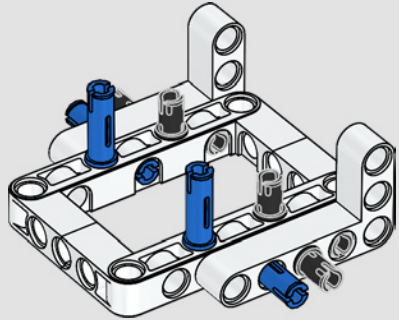


59

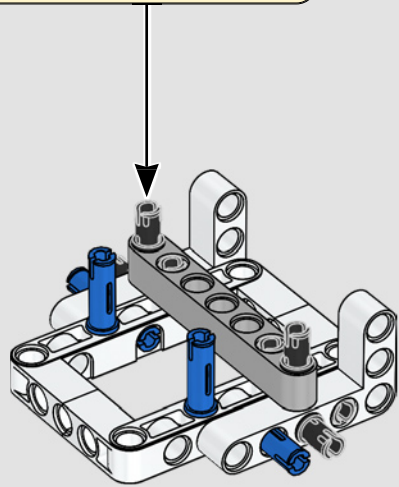
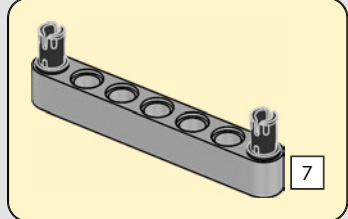




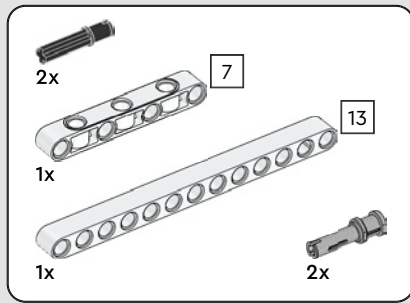
60



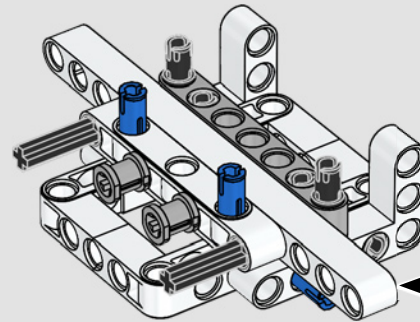
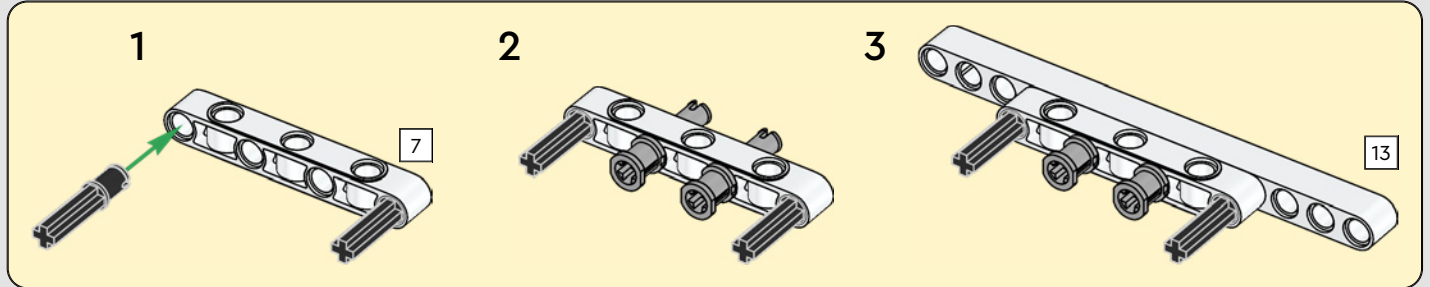
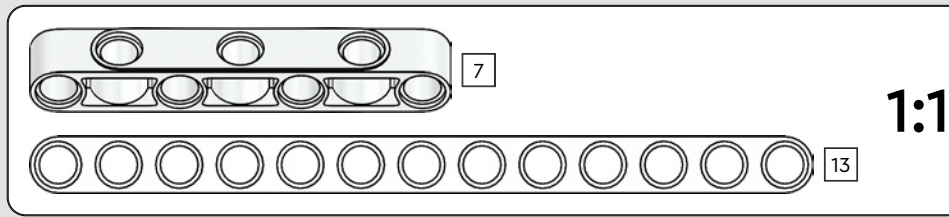
61

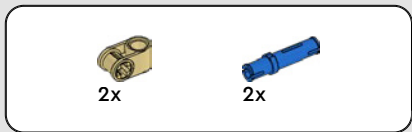




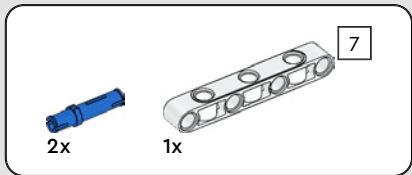
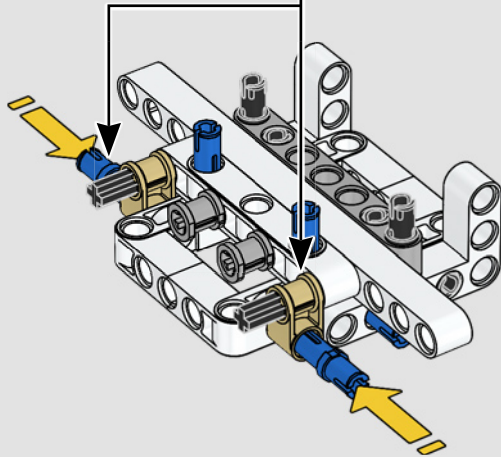
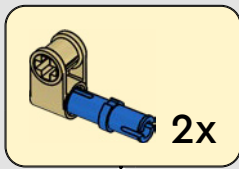


62

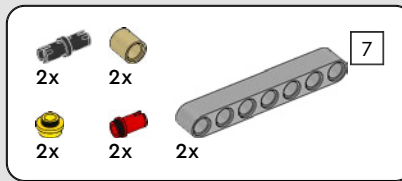
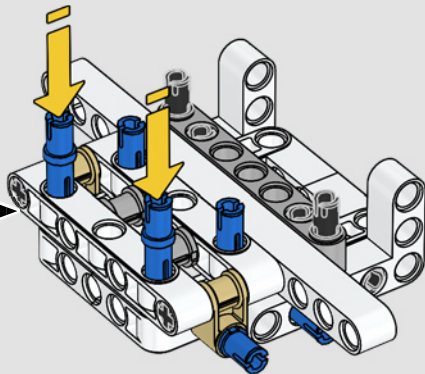
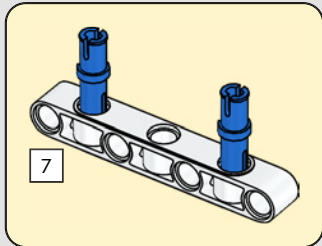




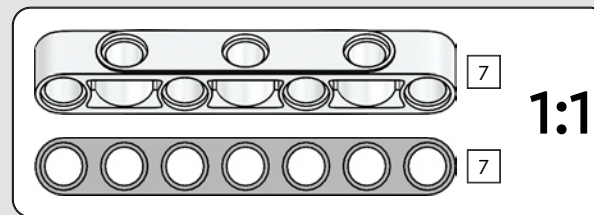
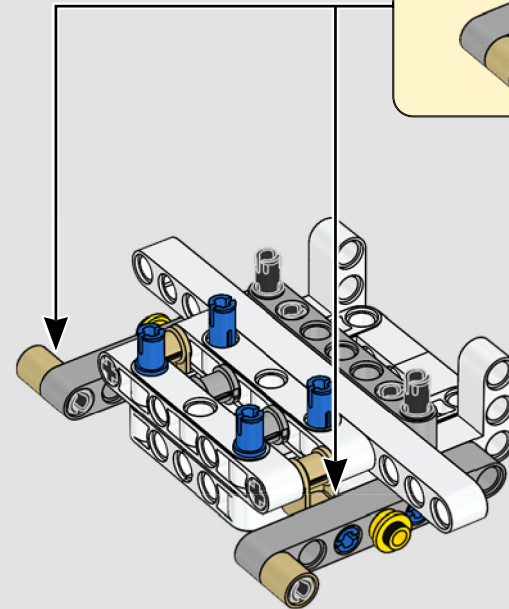
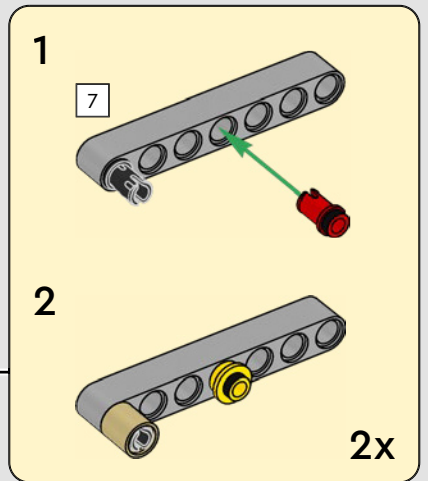
63

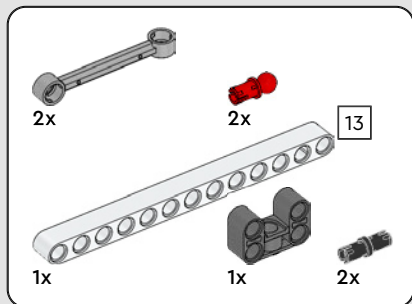


64

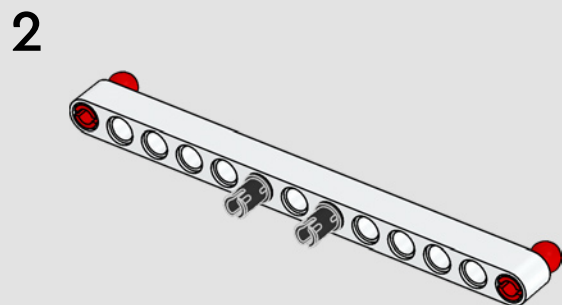
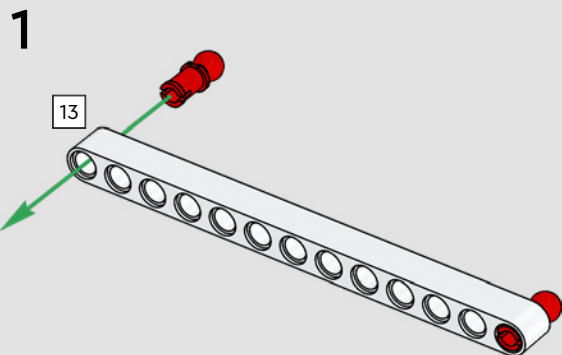


65

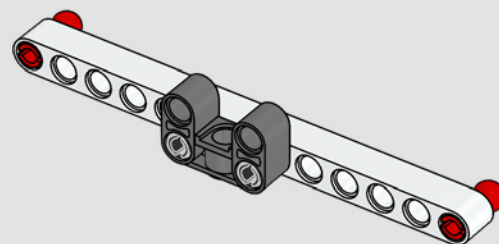




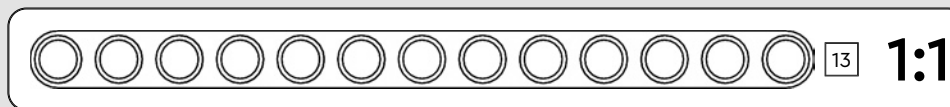
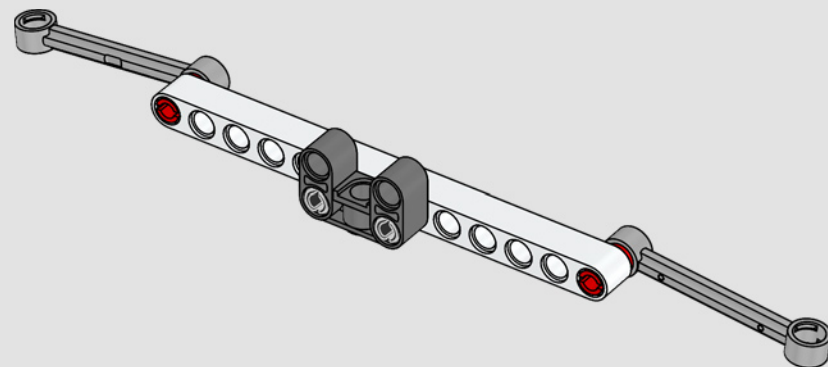
66

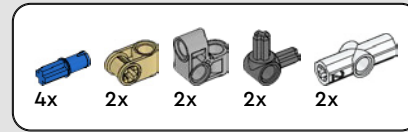
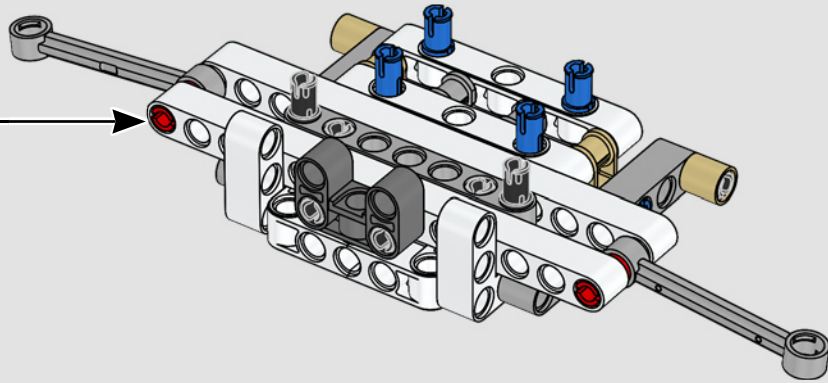


3

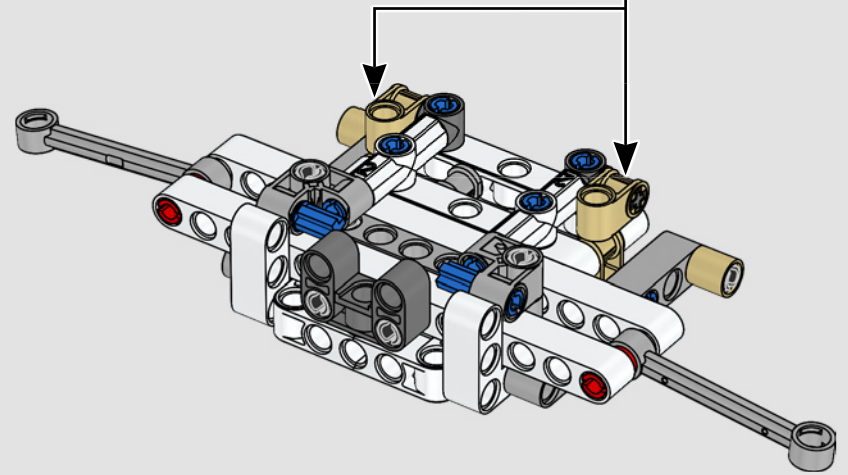
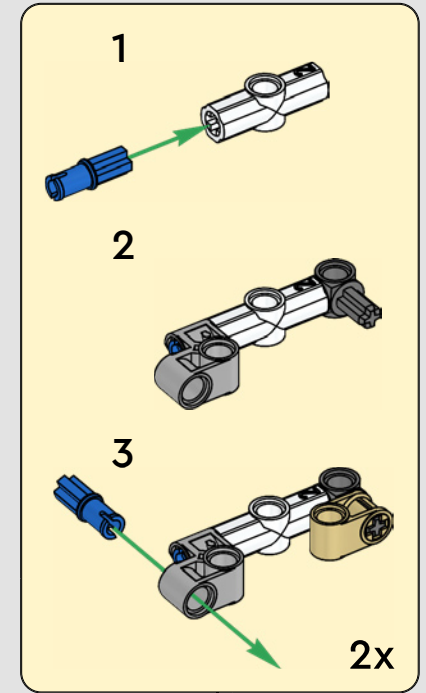


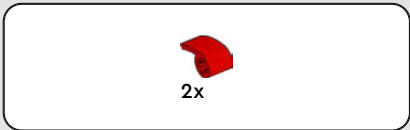
4



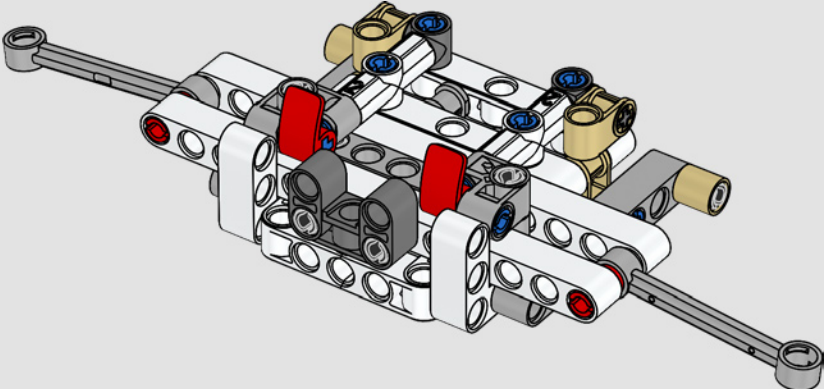


67

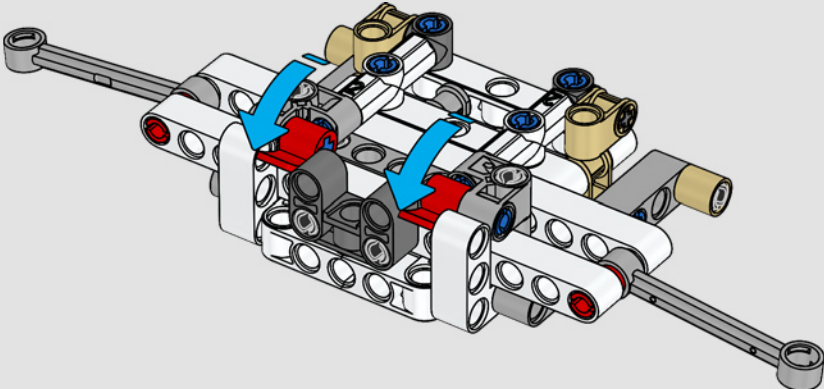


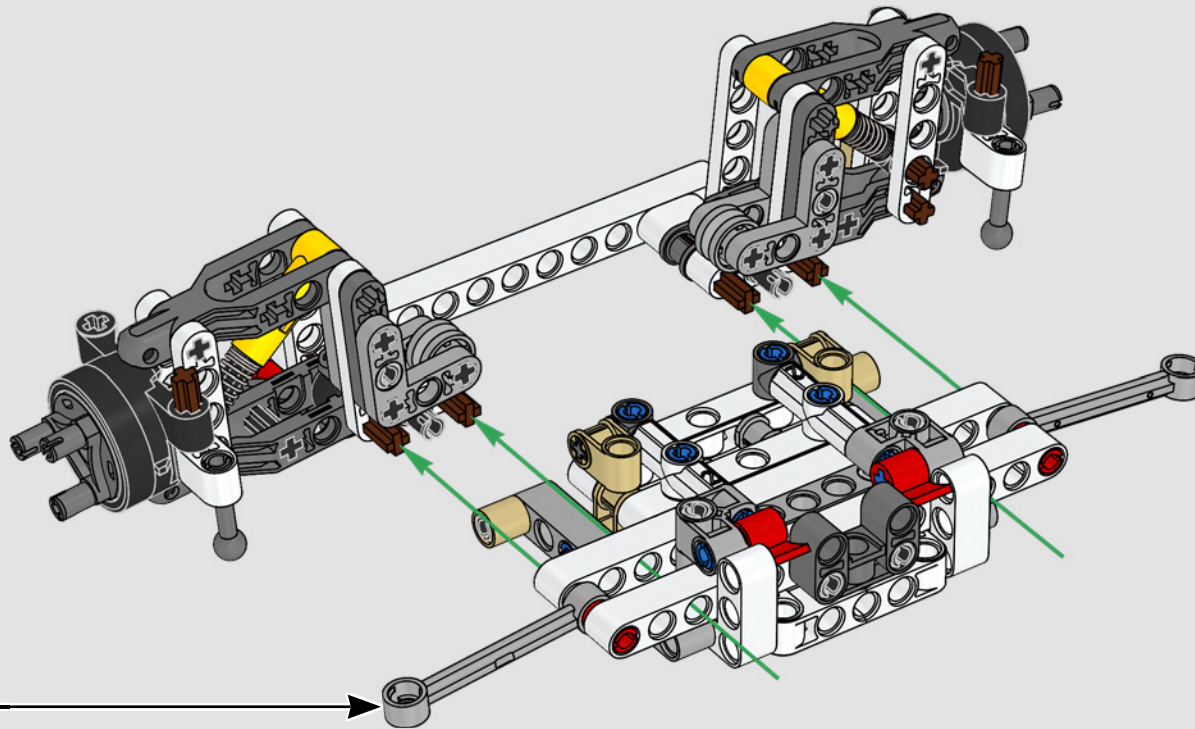


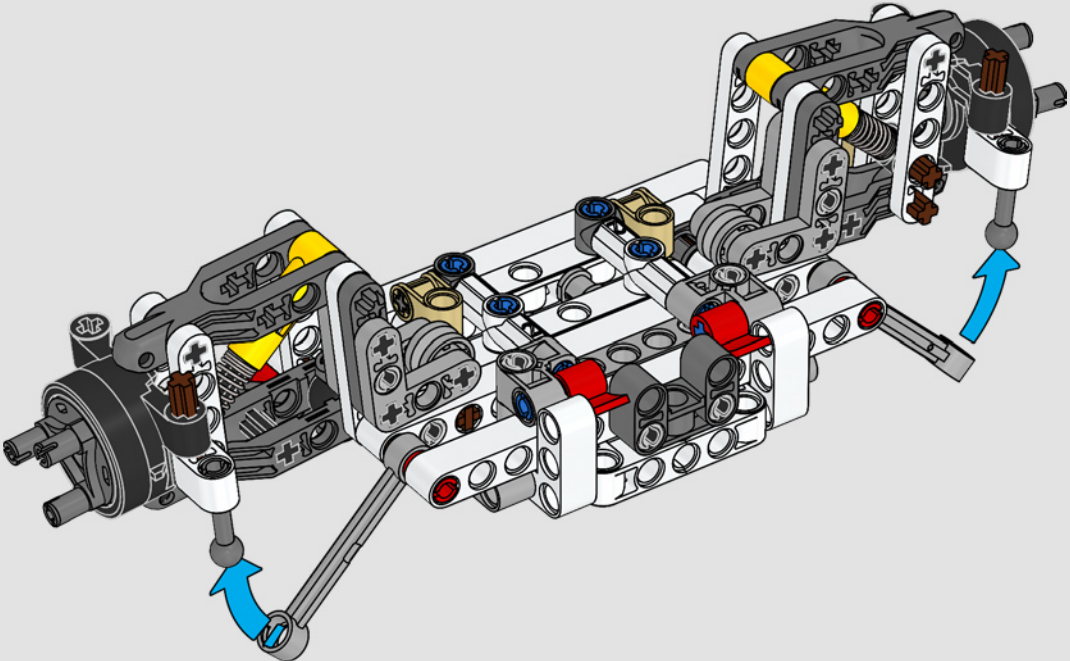
68

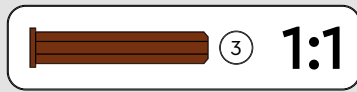
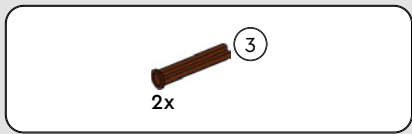


69

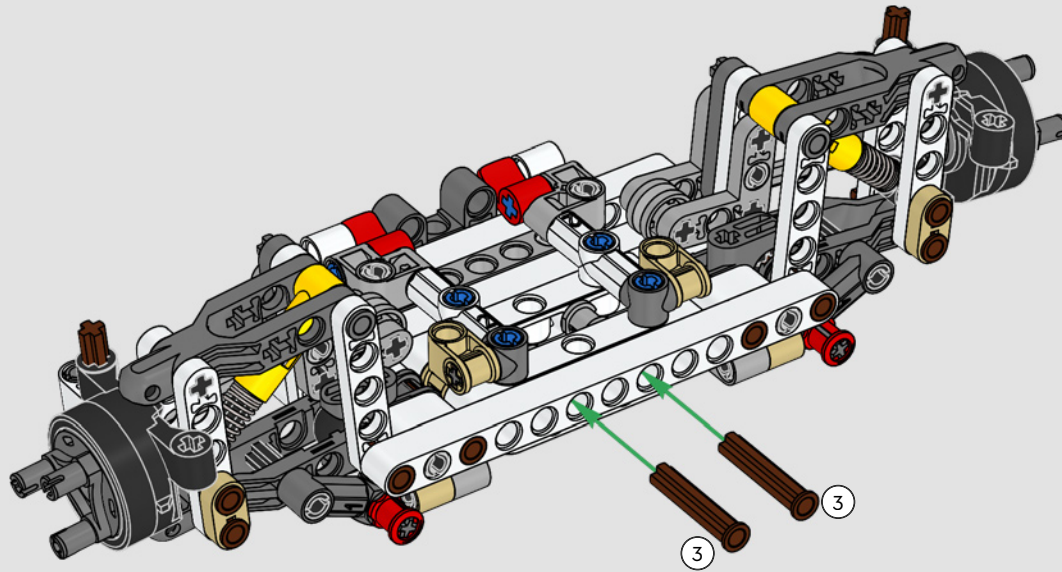








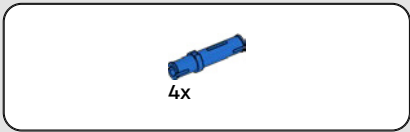
72



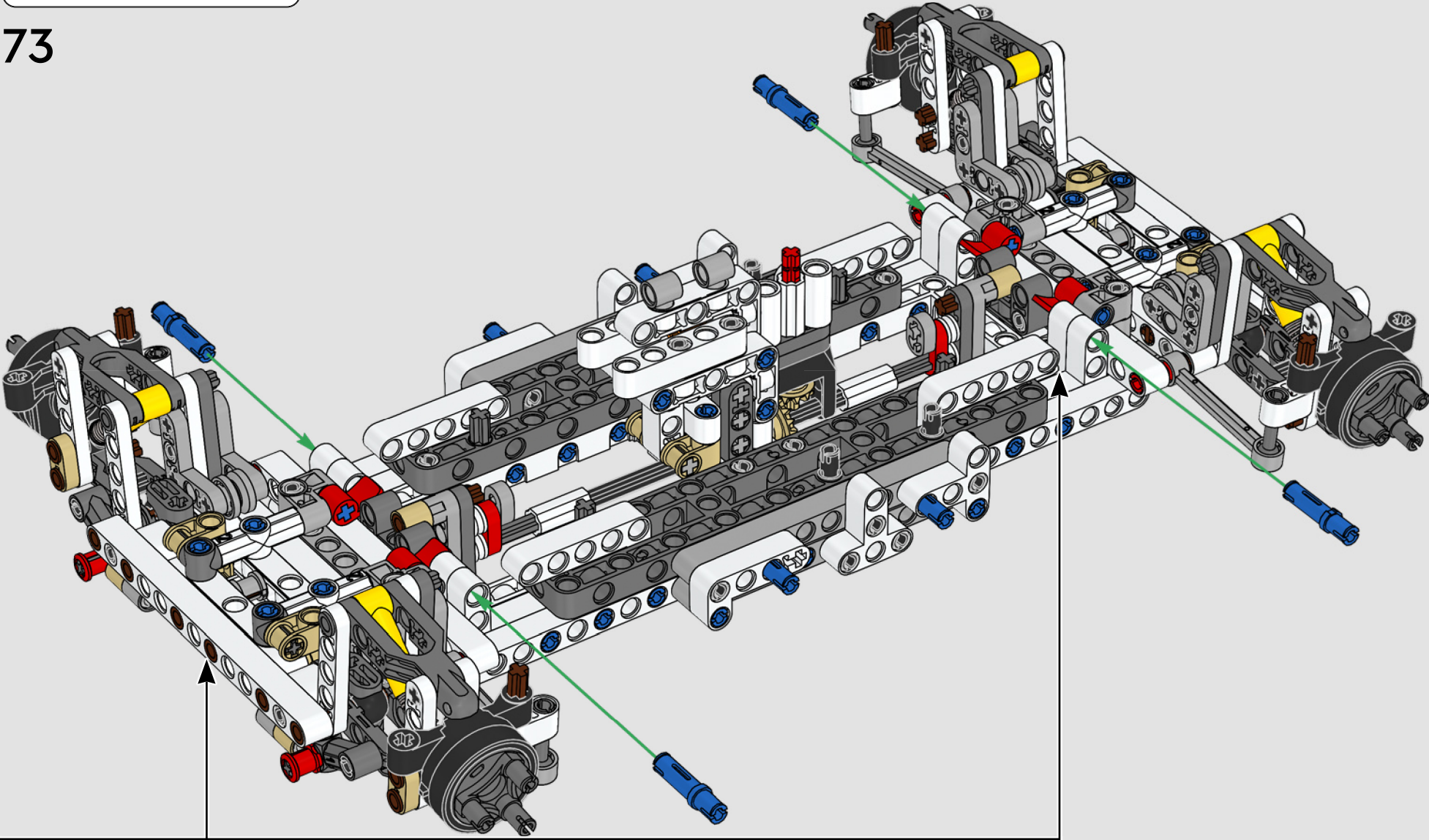
2x

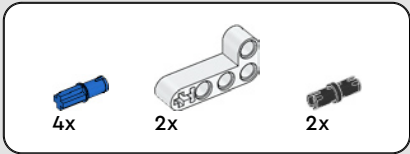




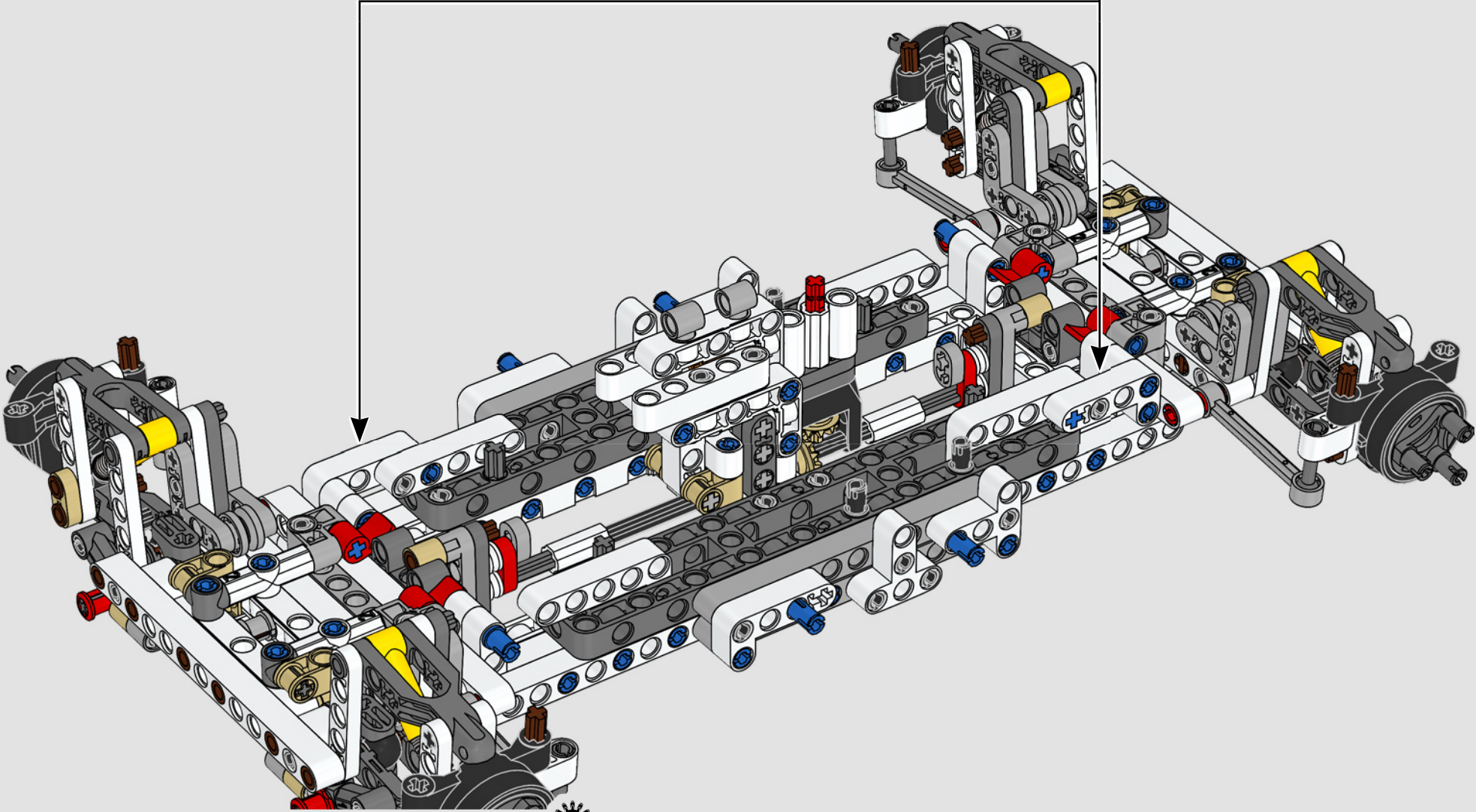
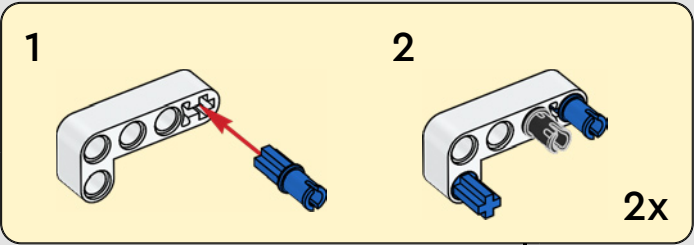


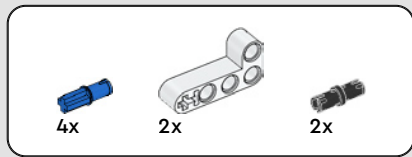
73



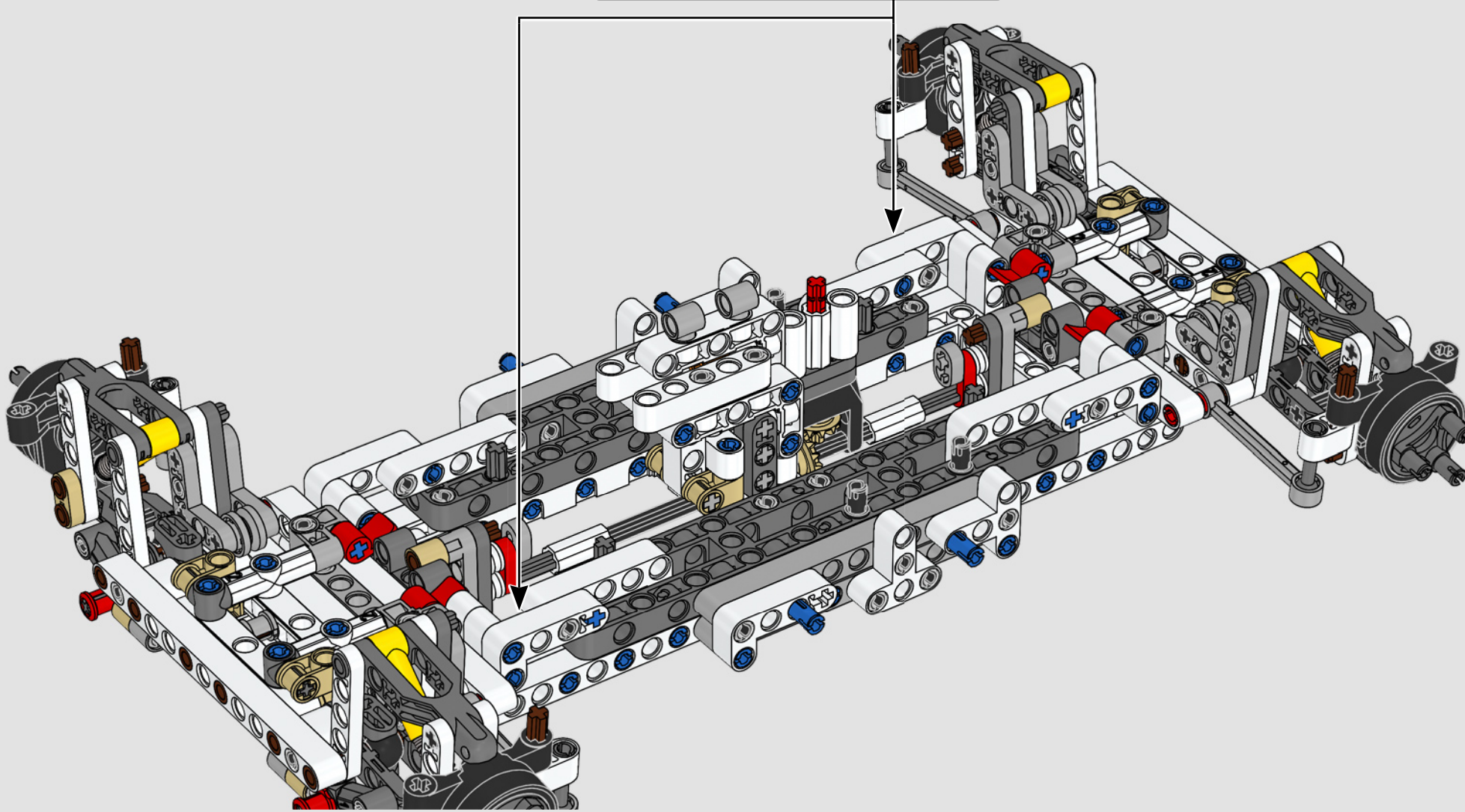
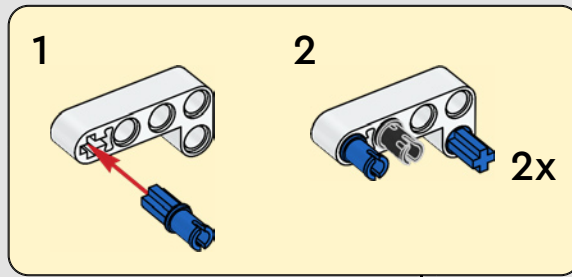


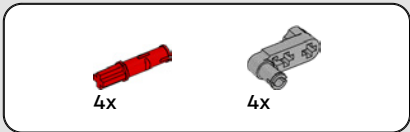
74



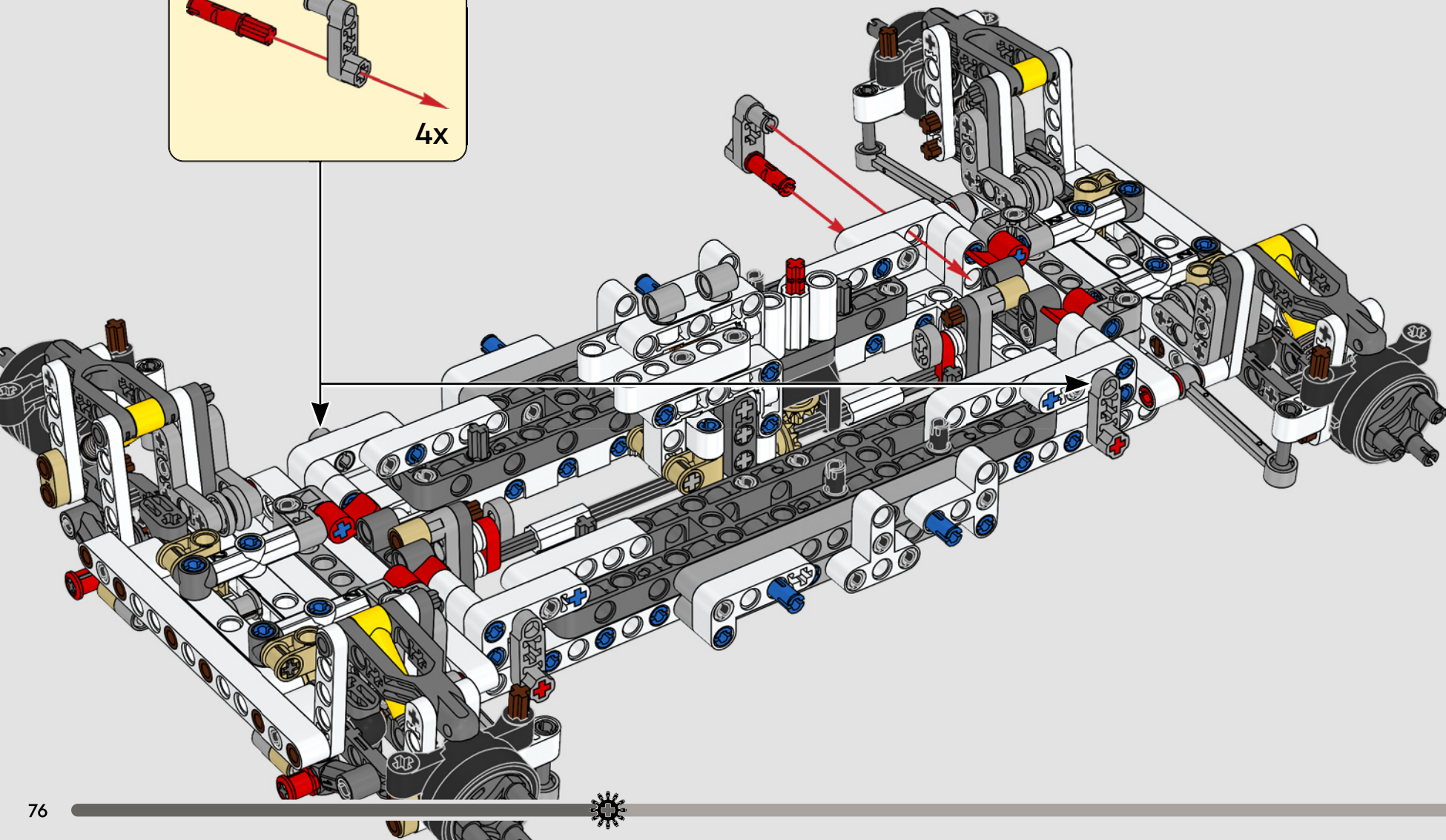
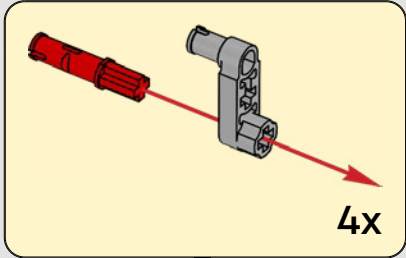


75

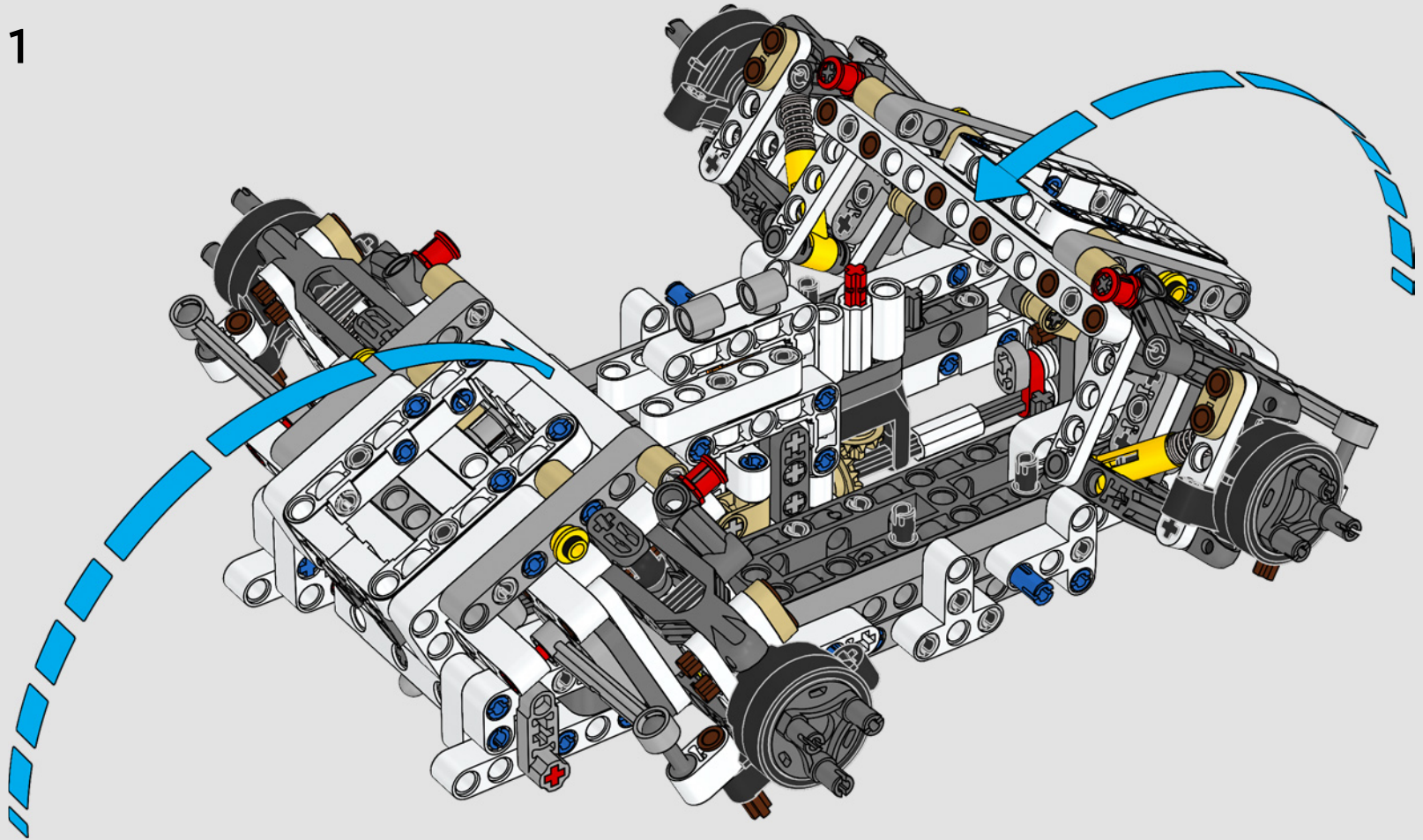




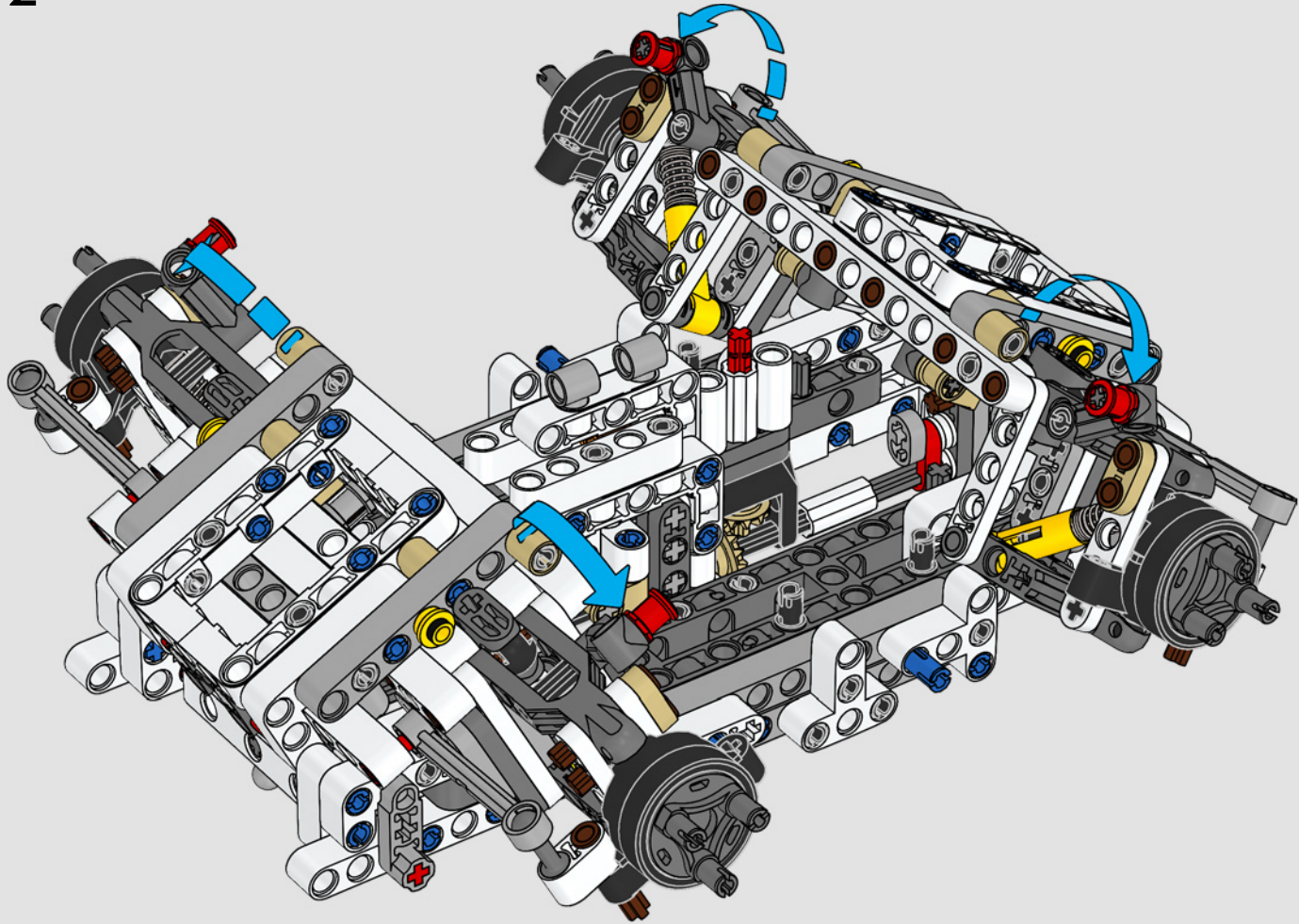
76



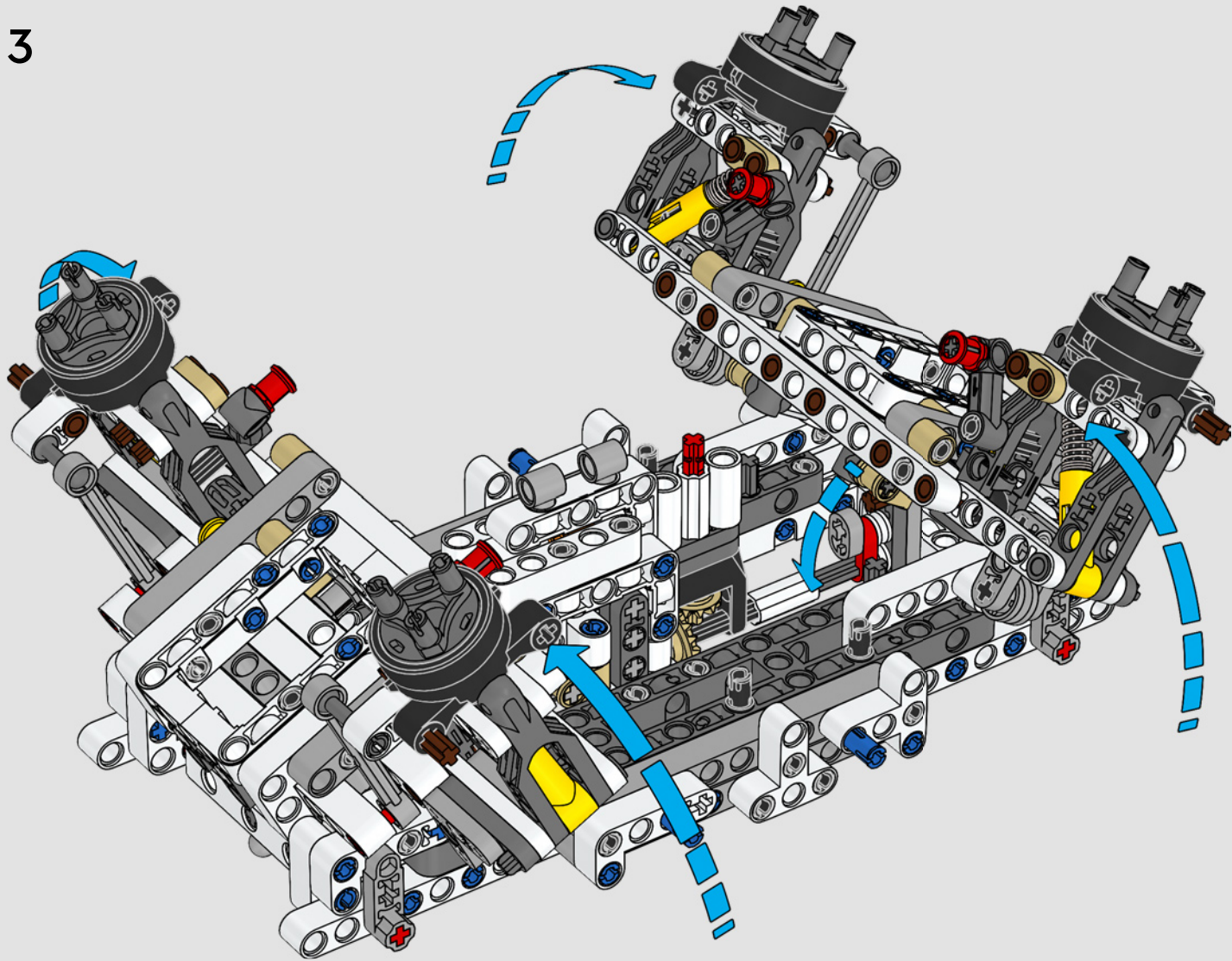
1



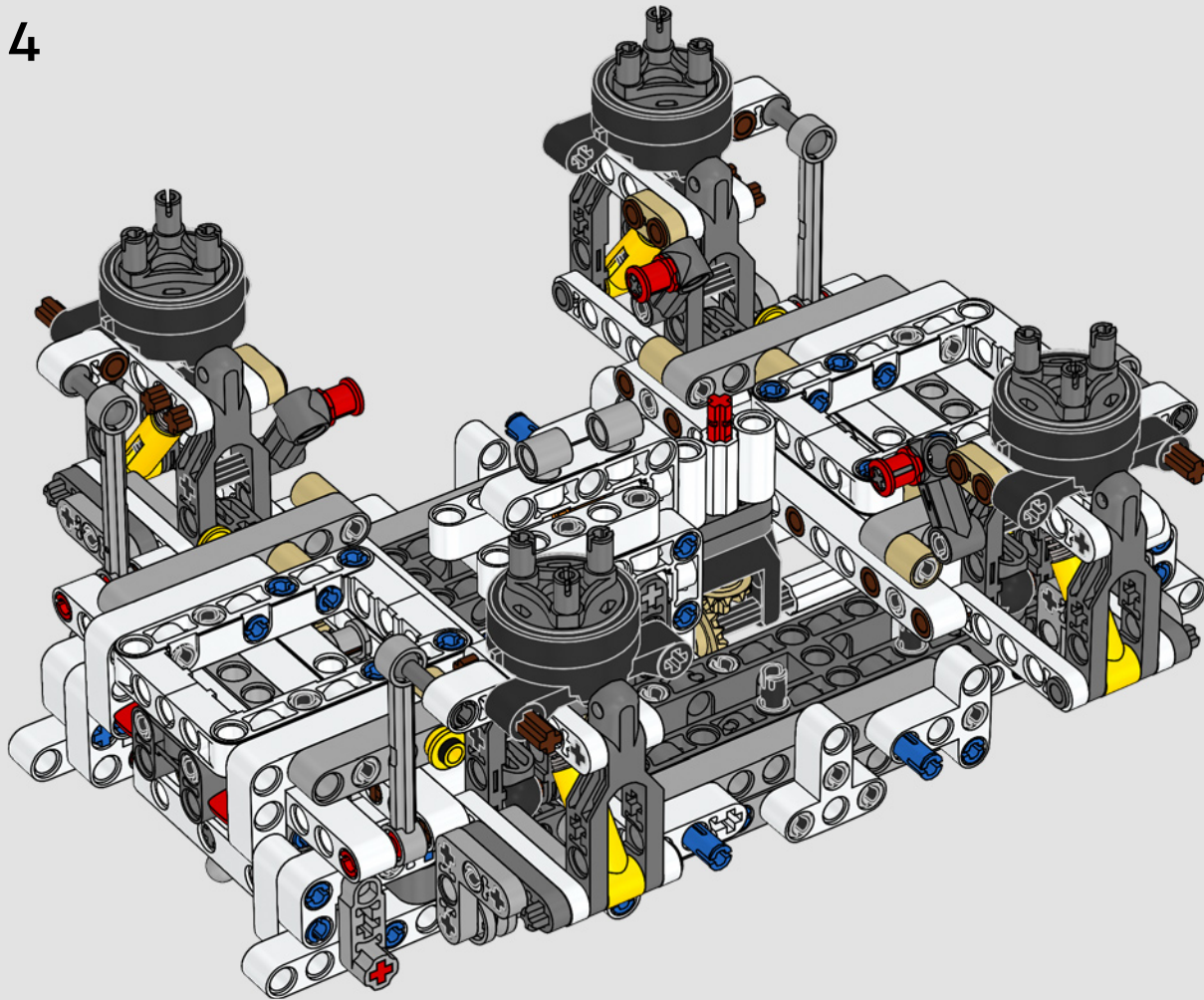
2



3

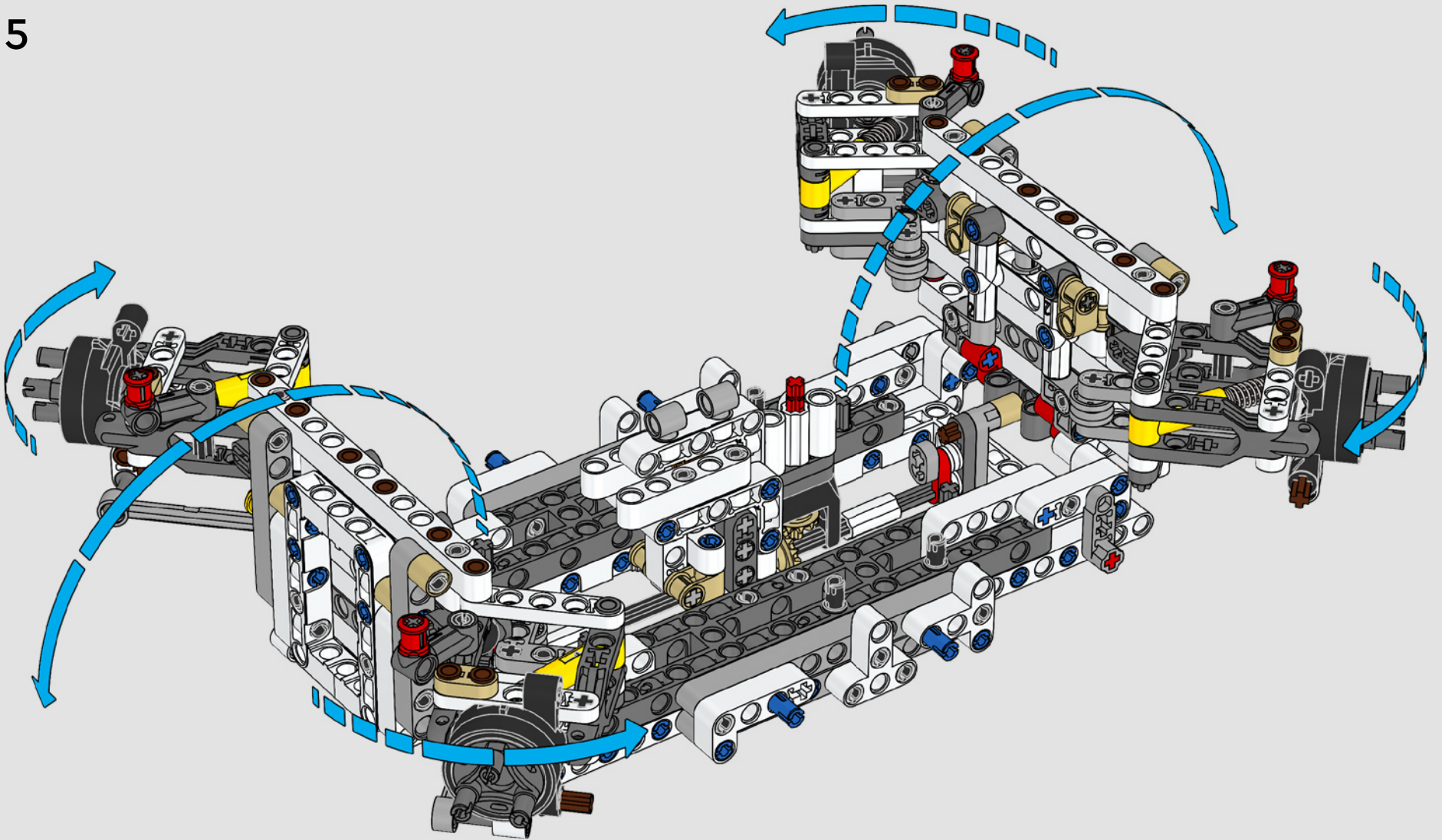


4

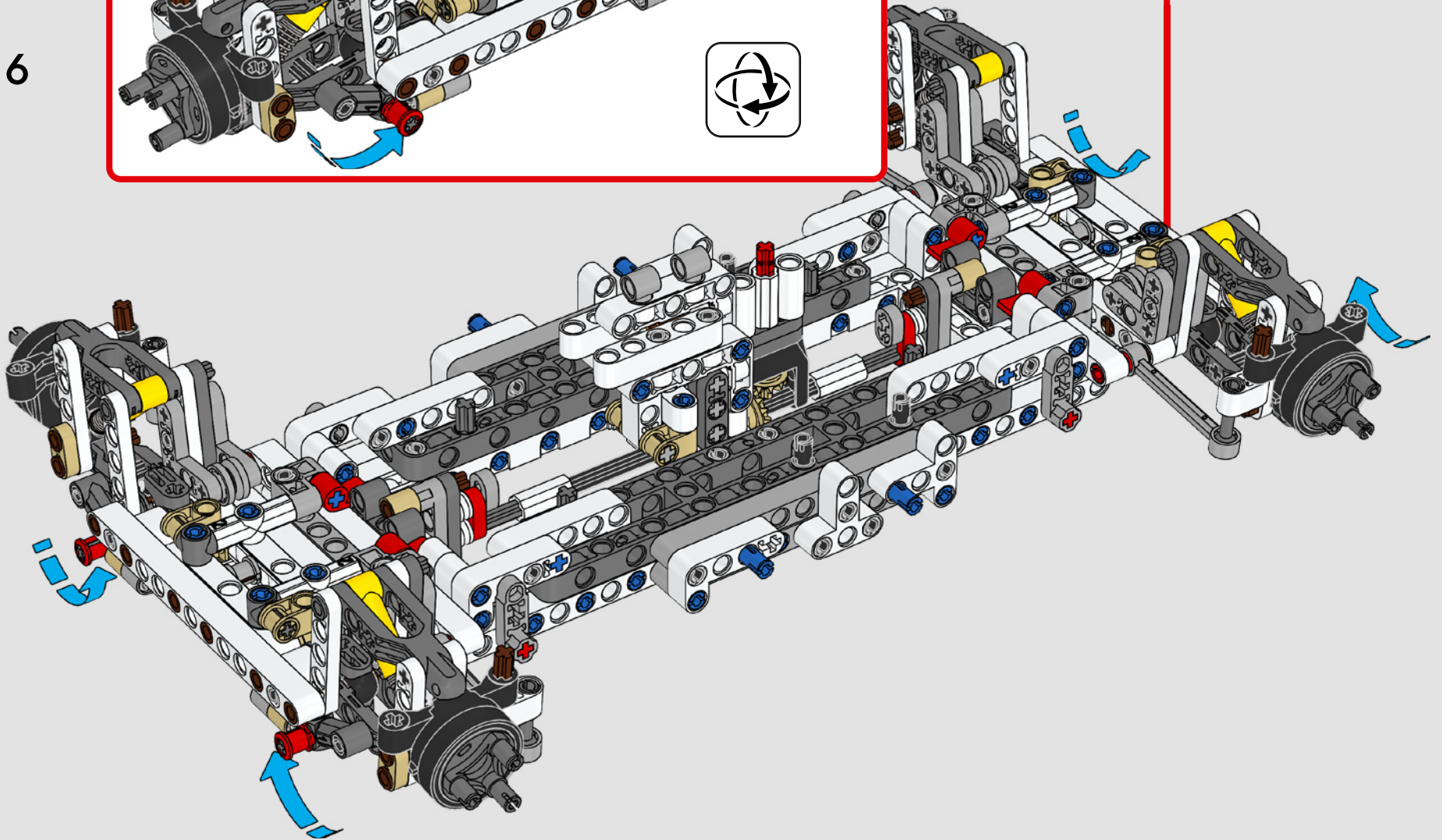
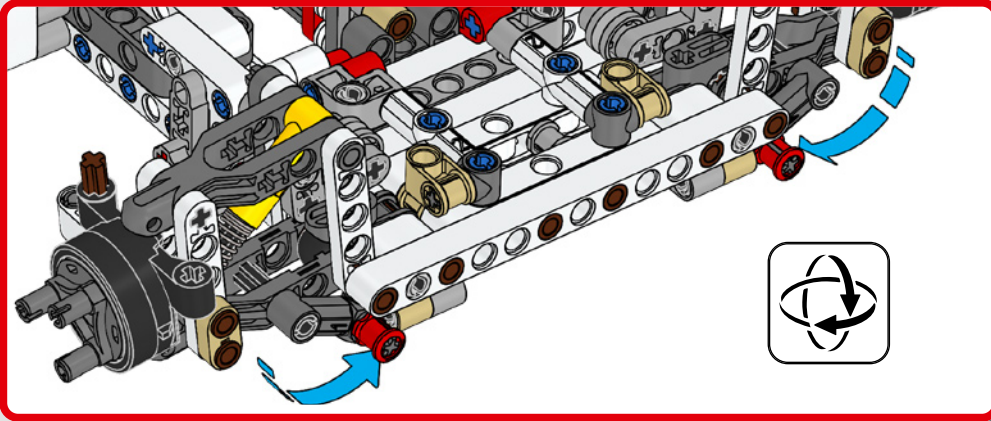


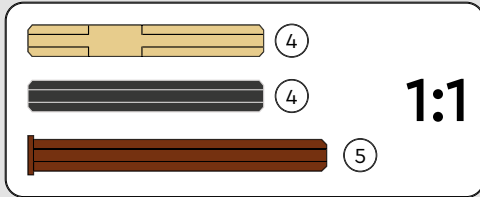
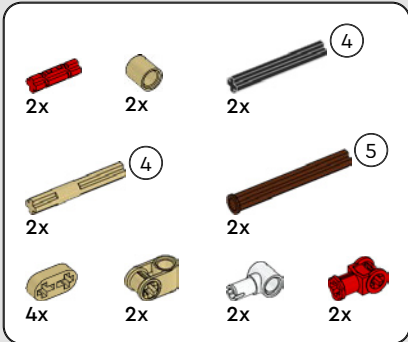


5

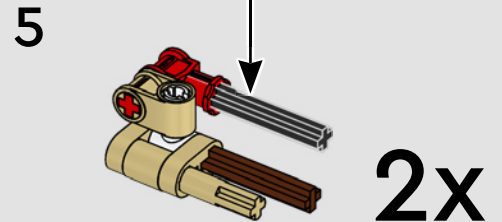
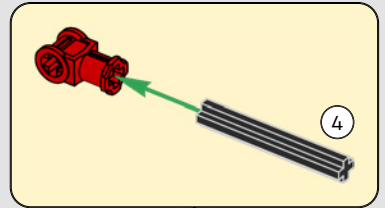
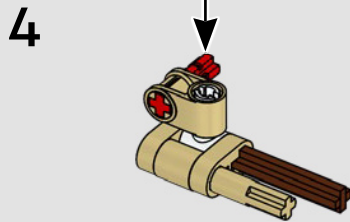
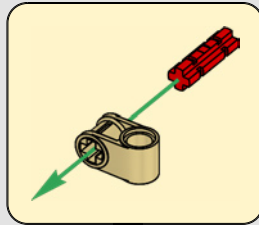
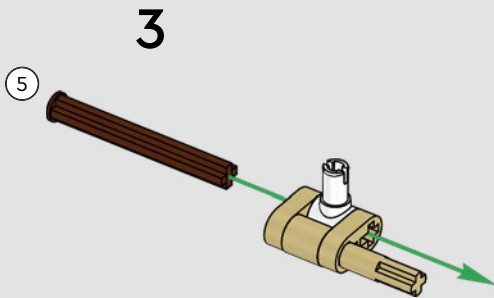
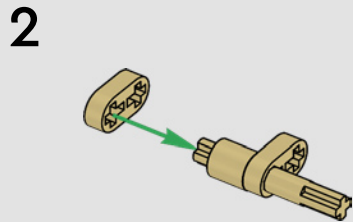
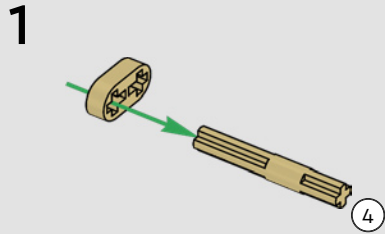


6

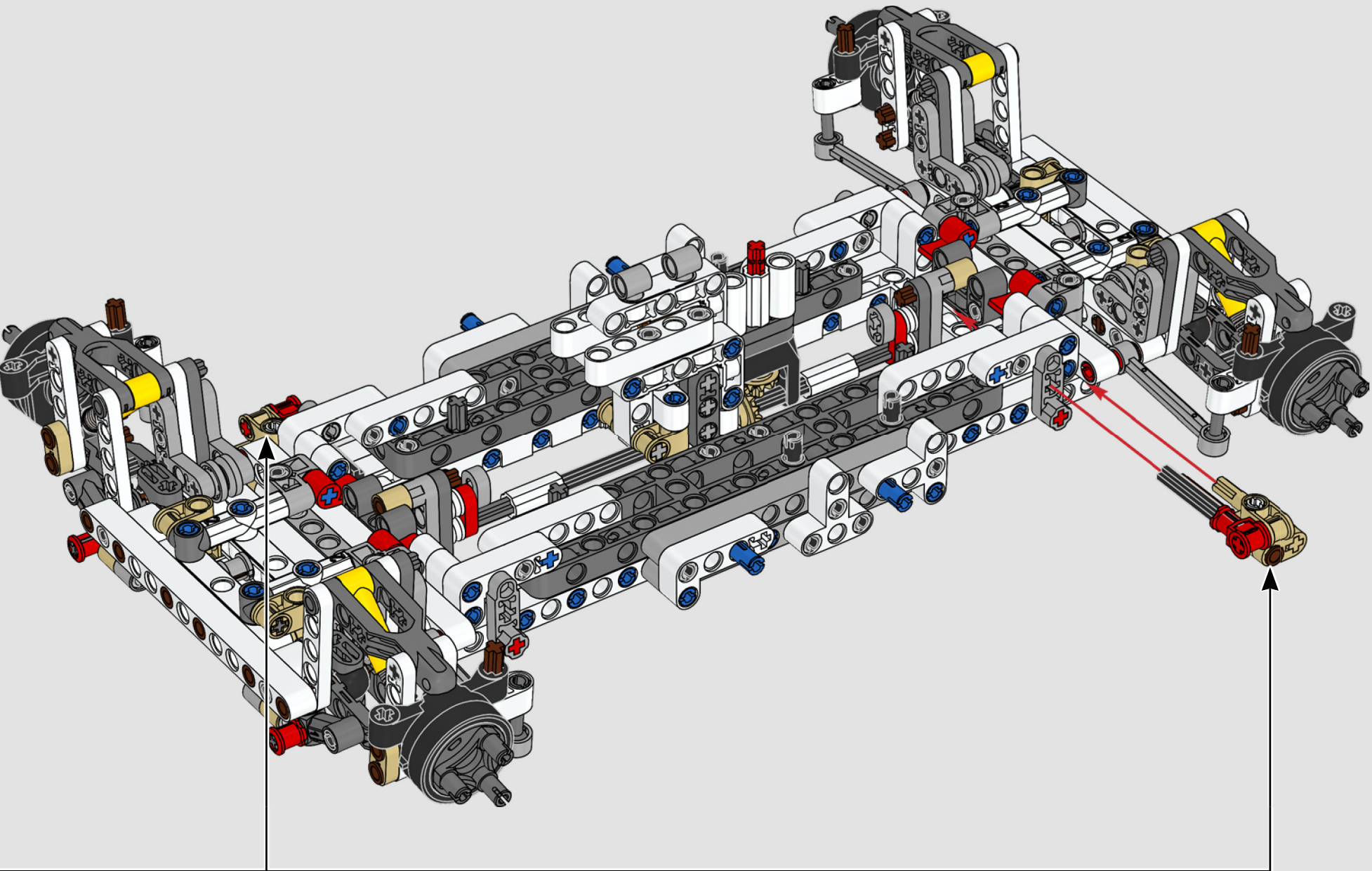


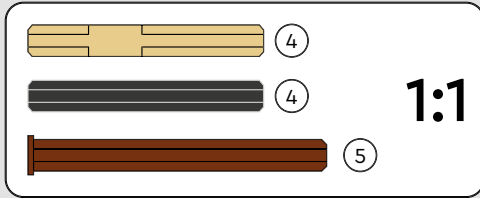
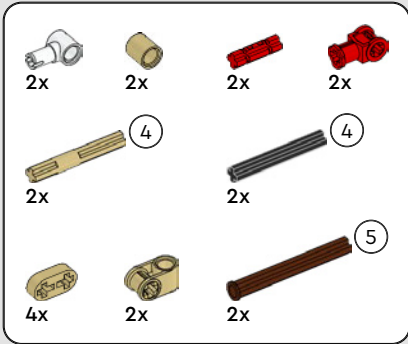


77



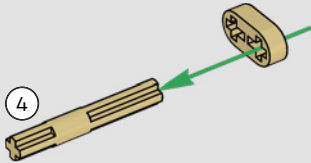
2x



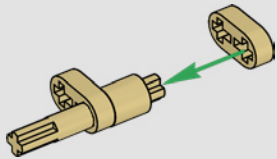


78

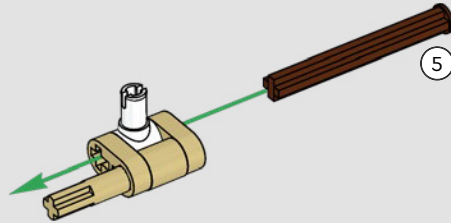
1



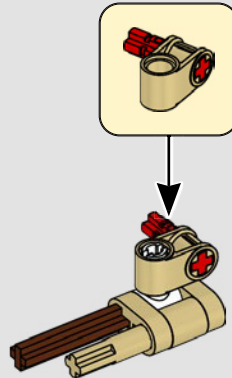
2



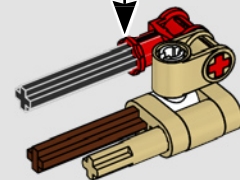
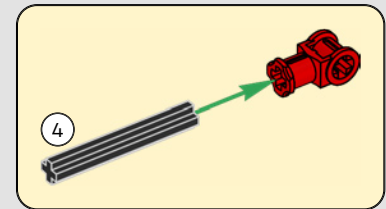
3



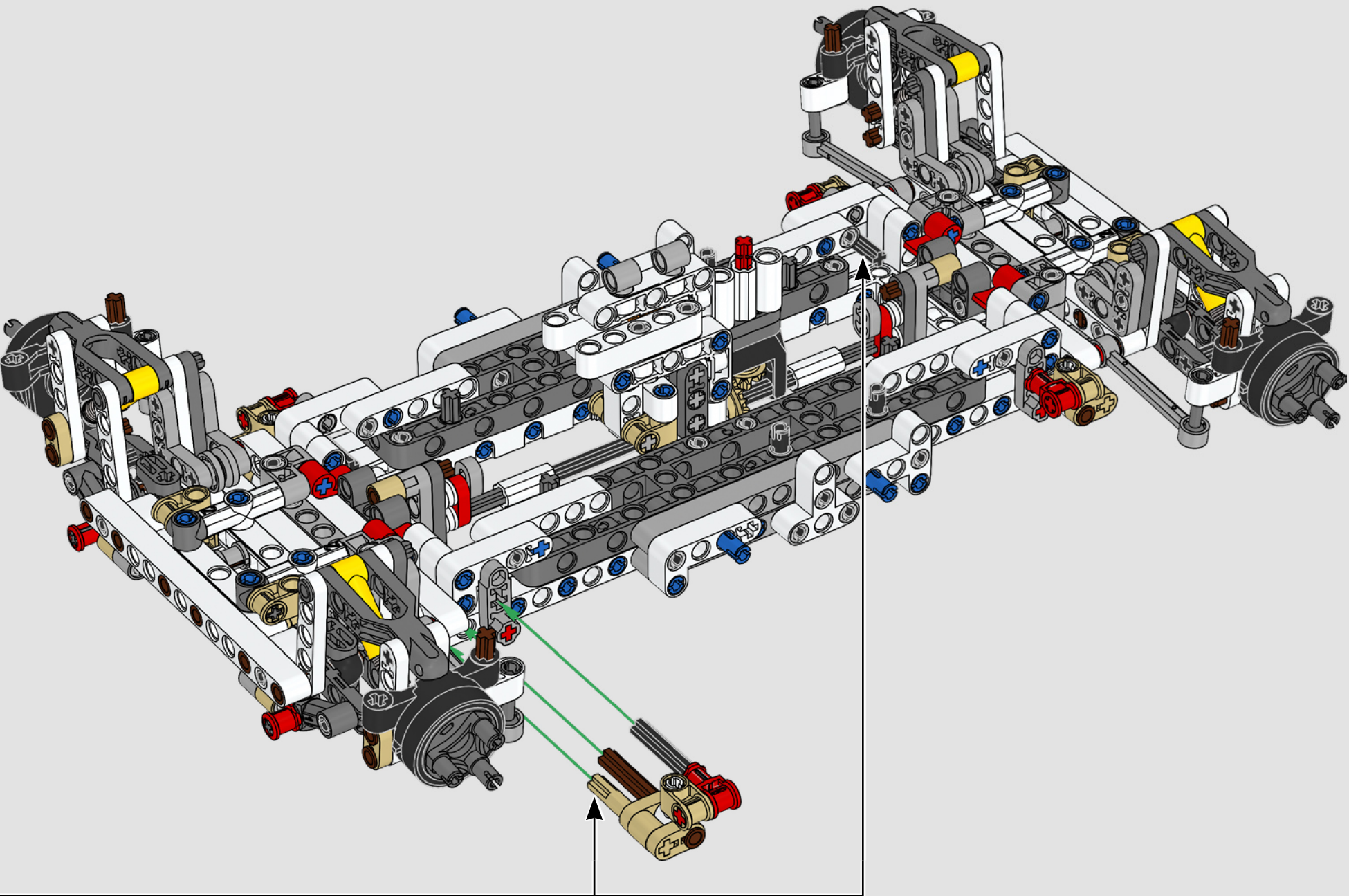
4

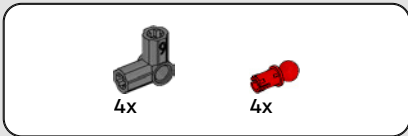


5

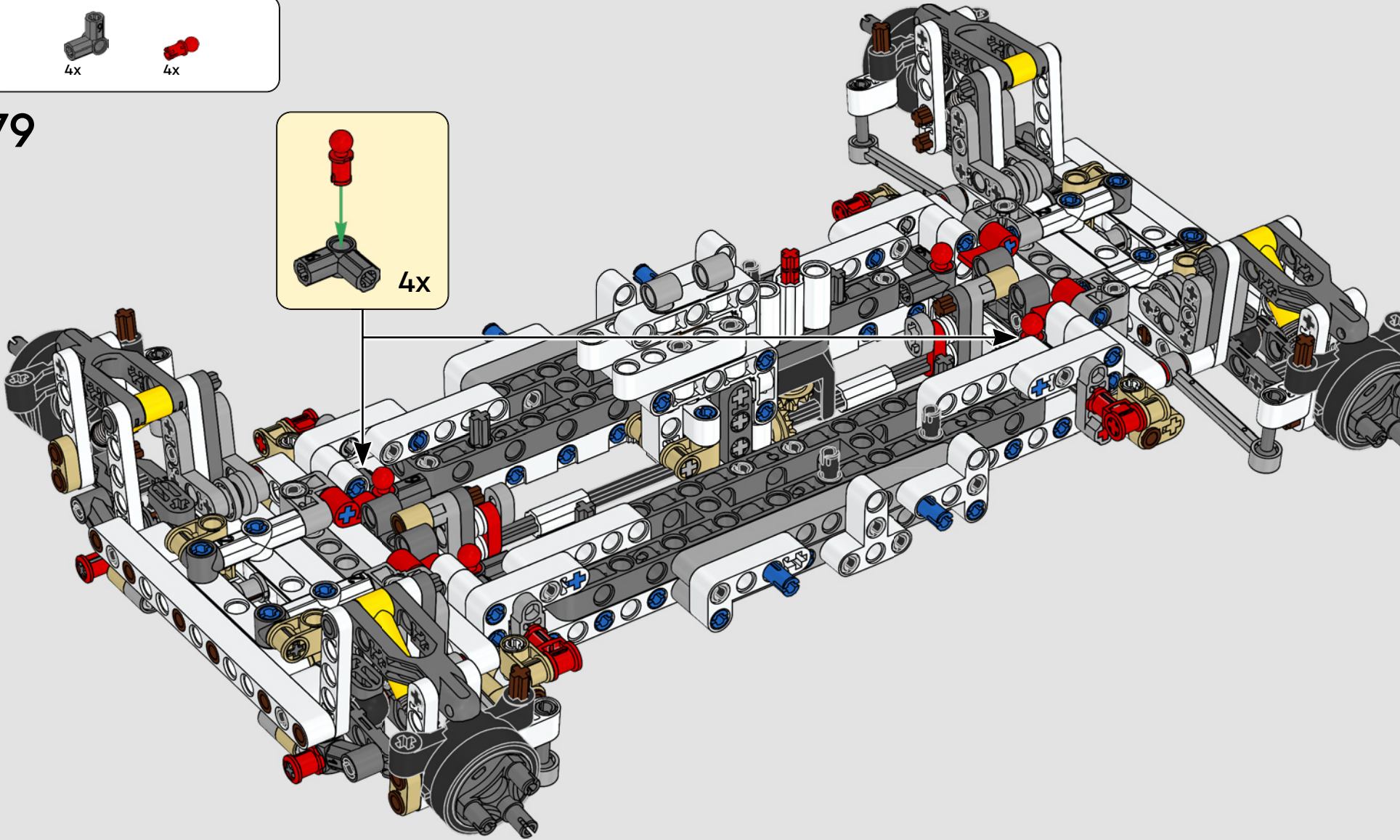
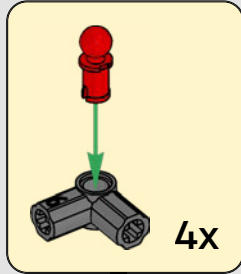


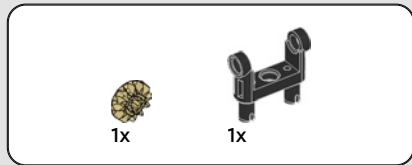
2x



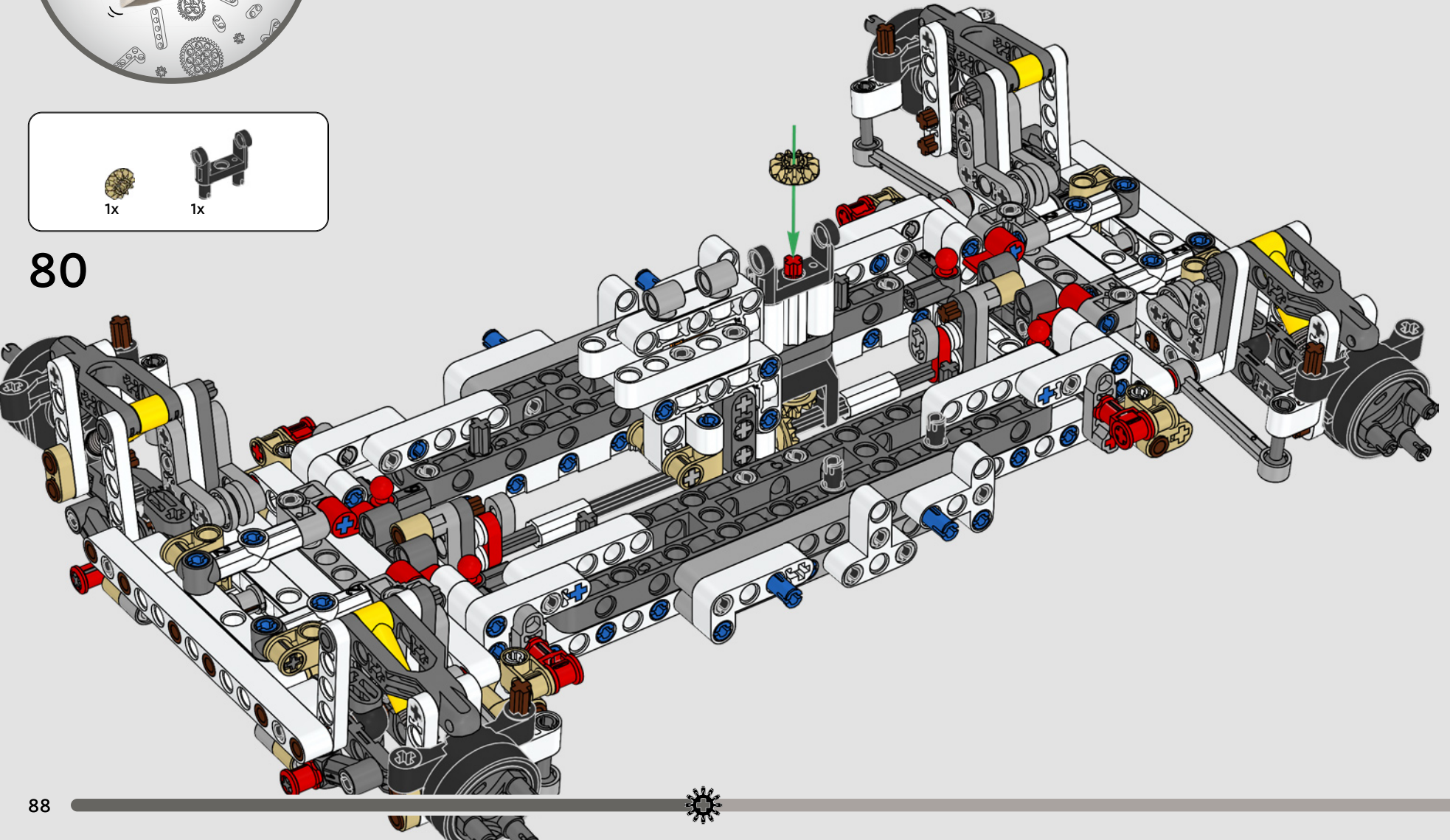


79

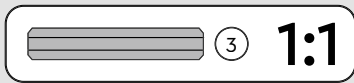
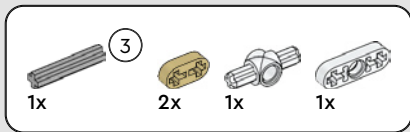




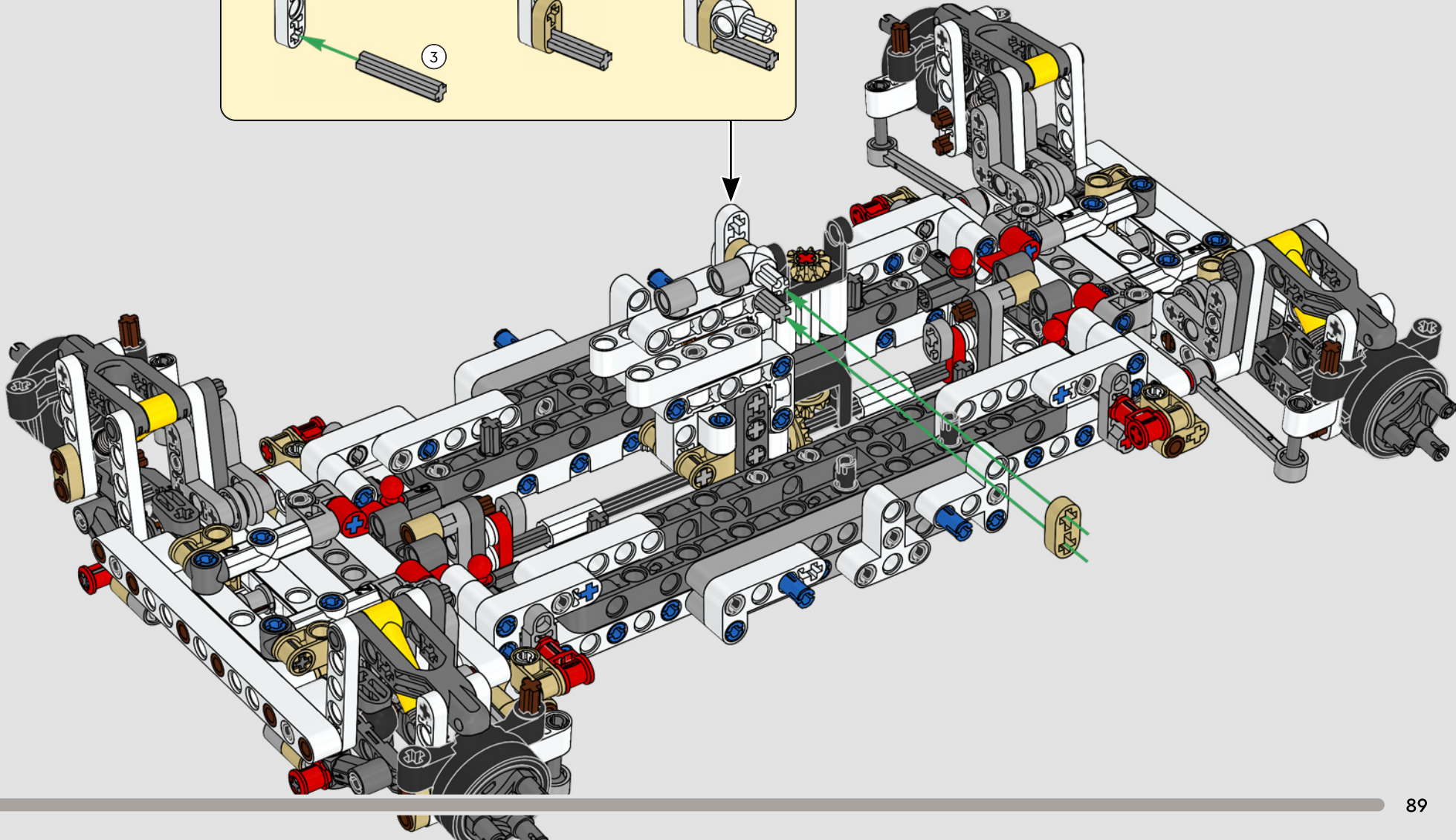
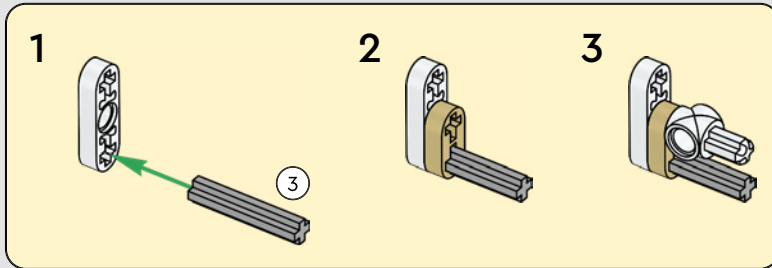
80

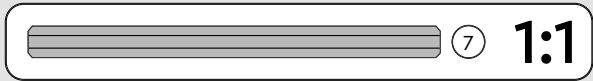
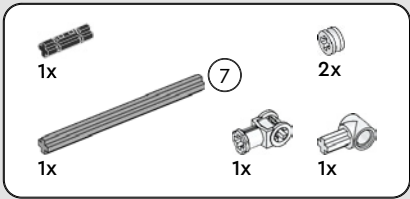




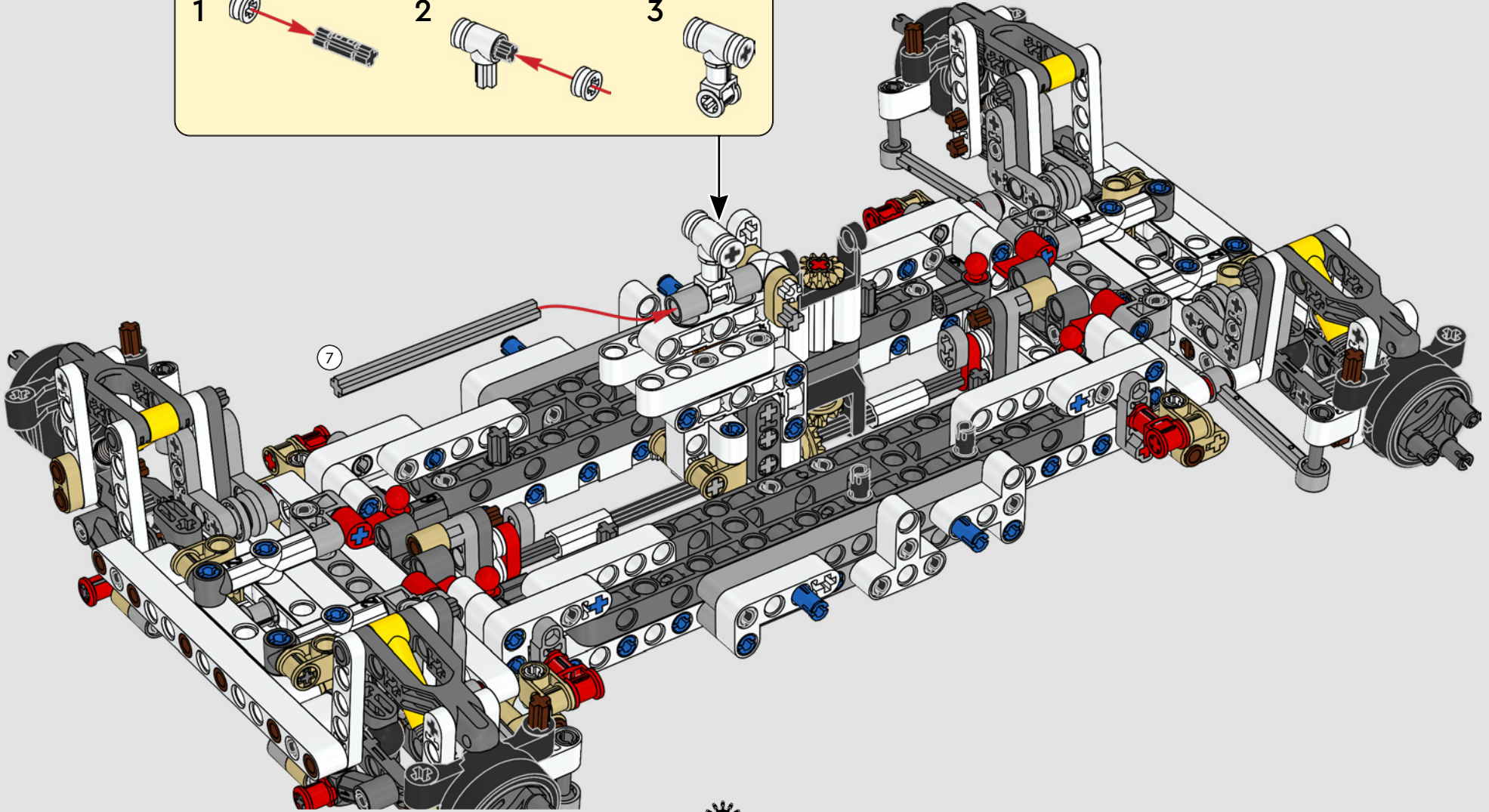
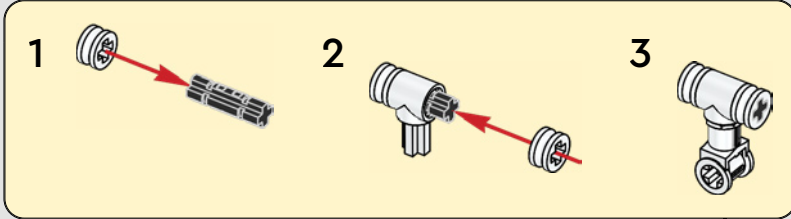


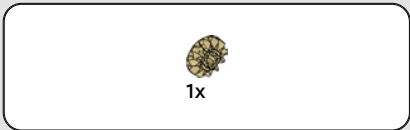
81



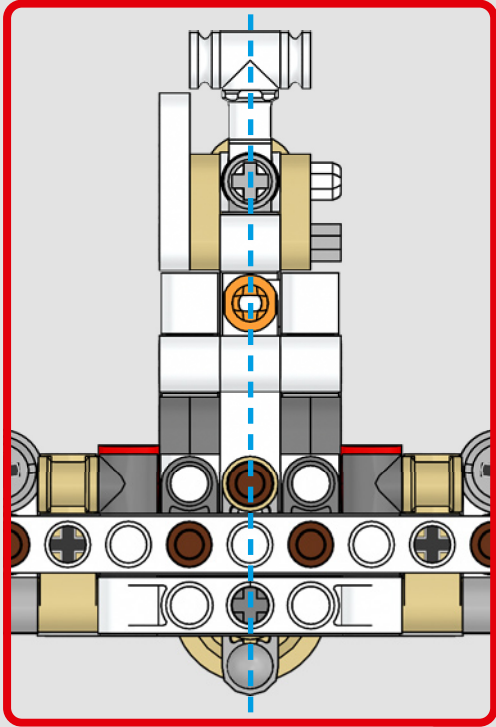
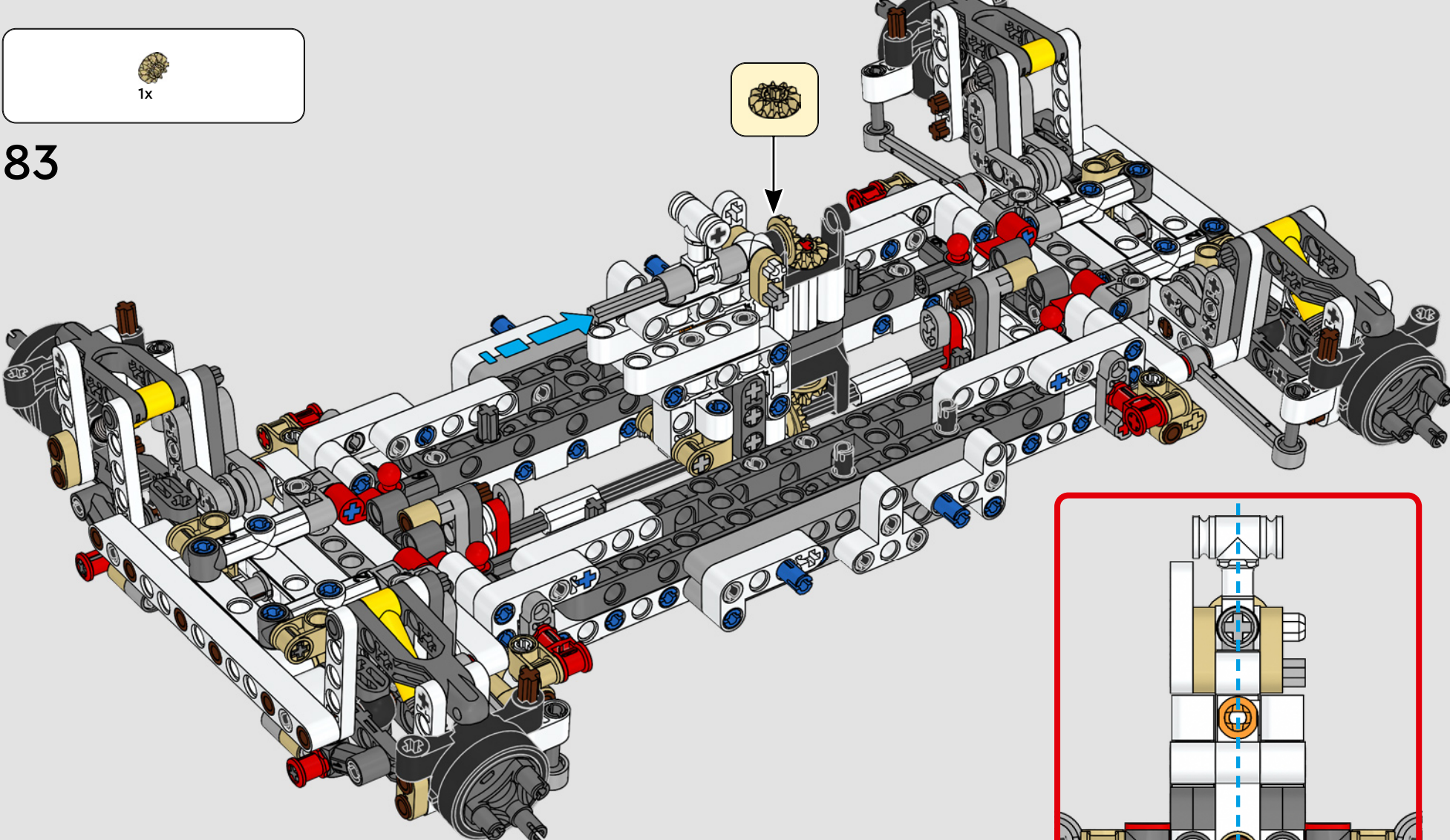


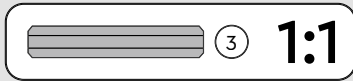
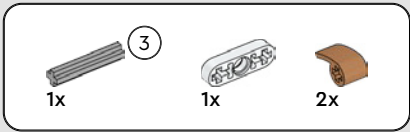
82



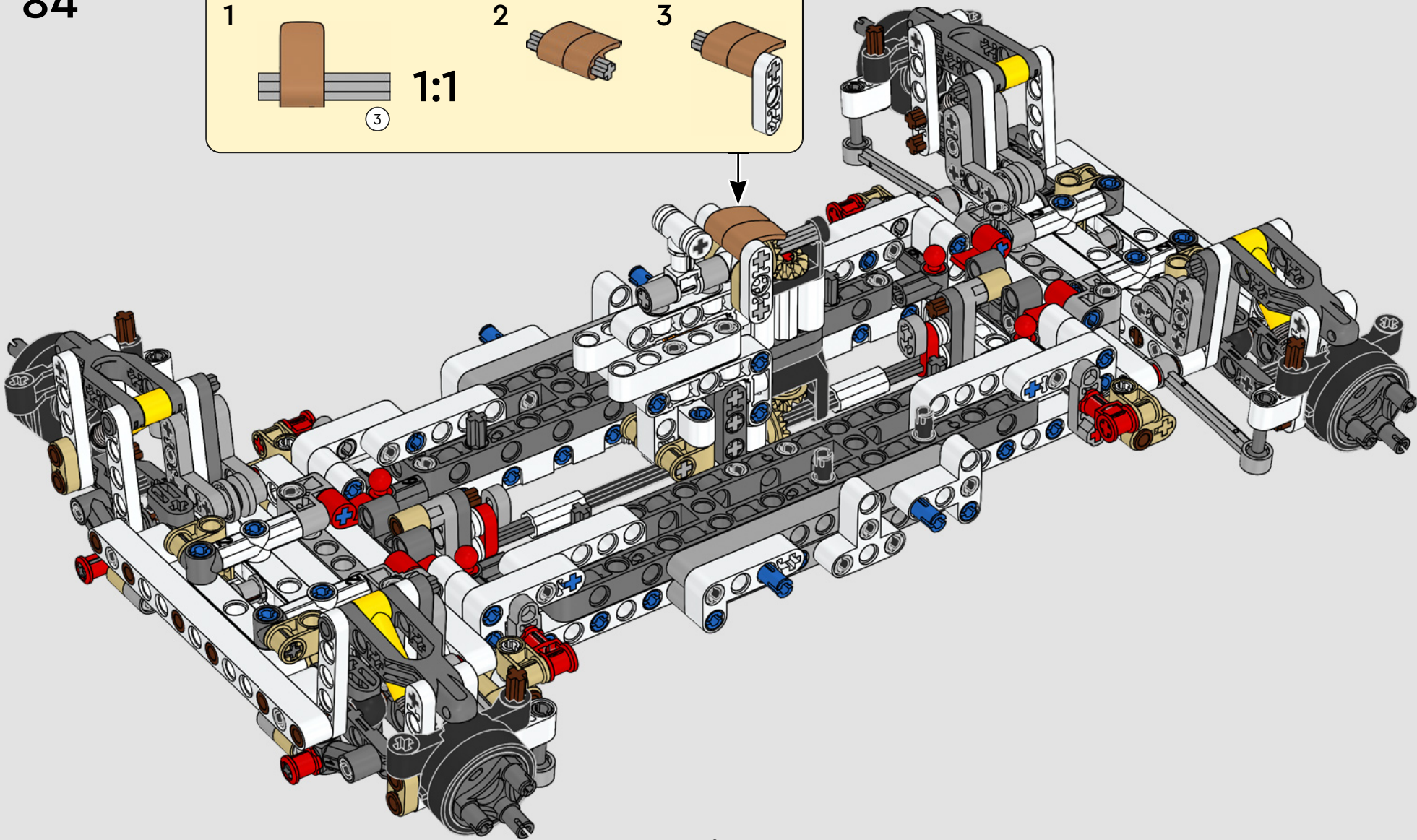
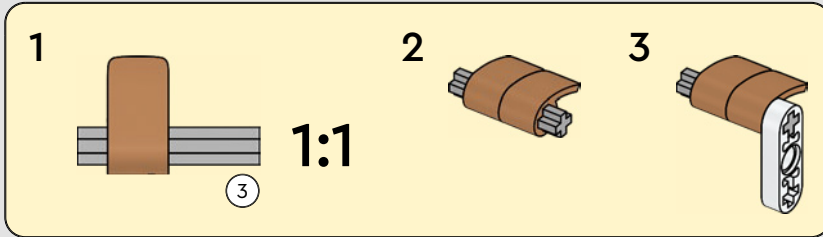


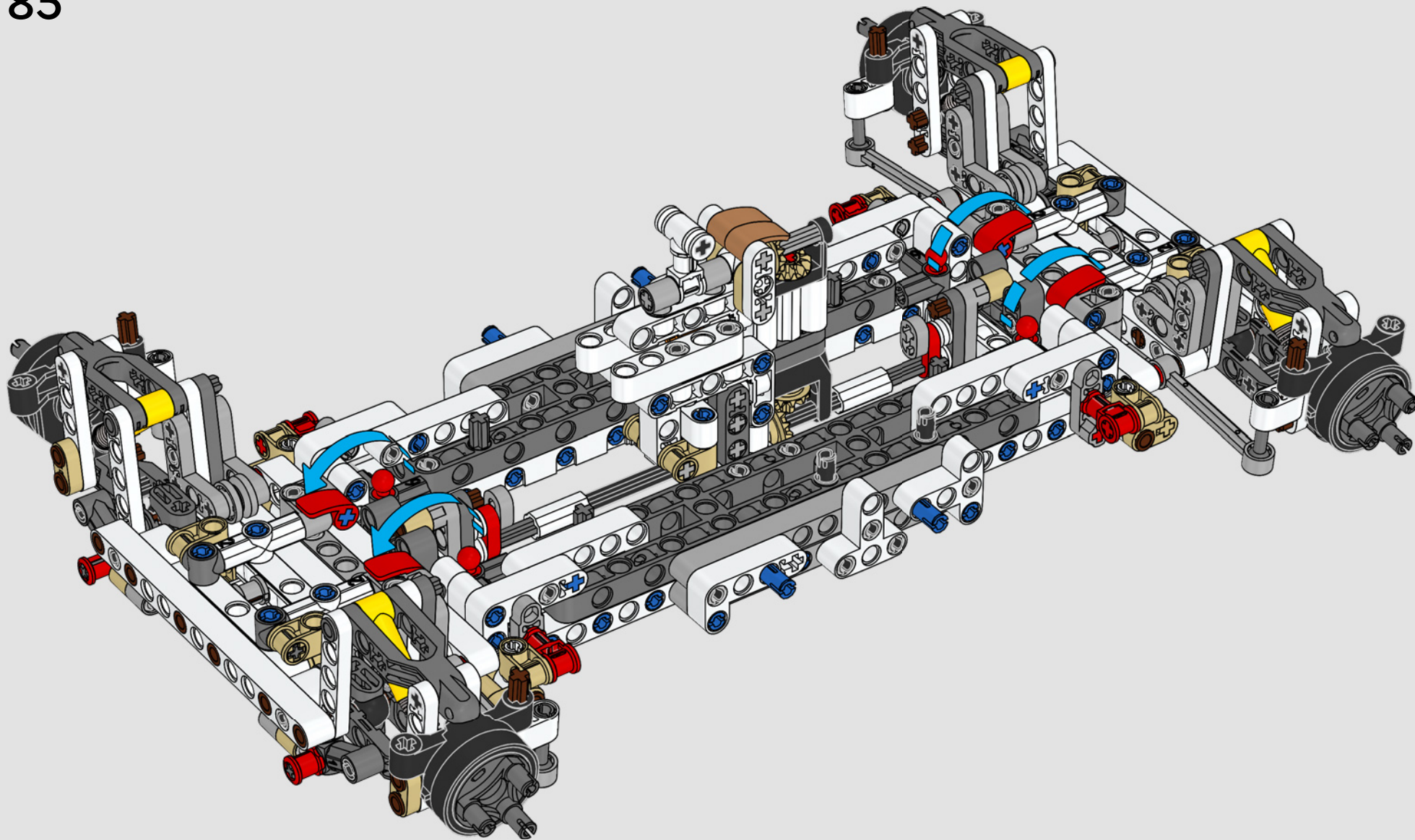
83

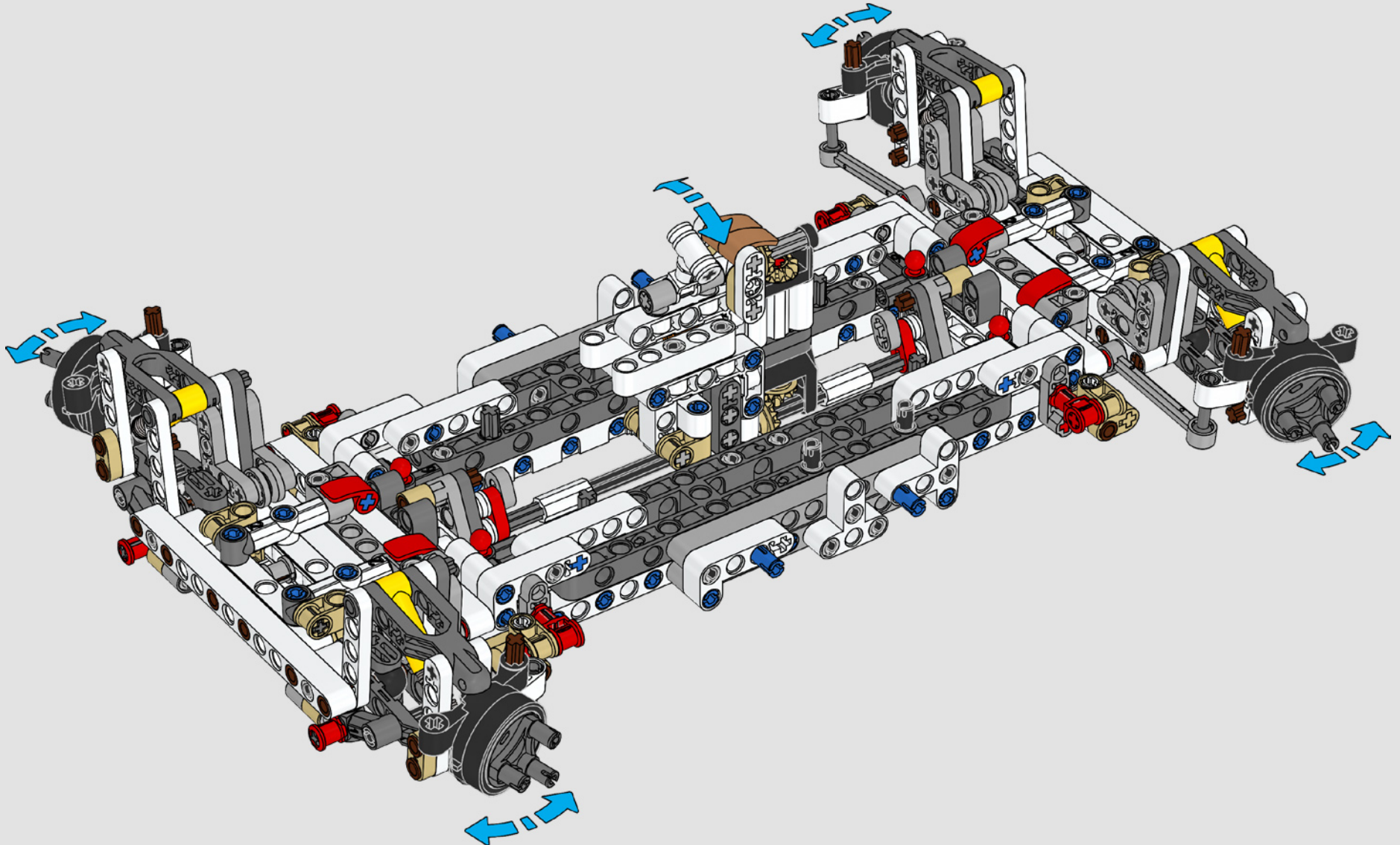




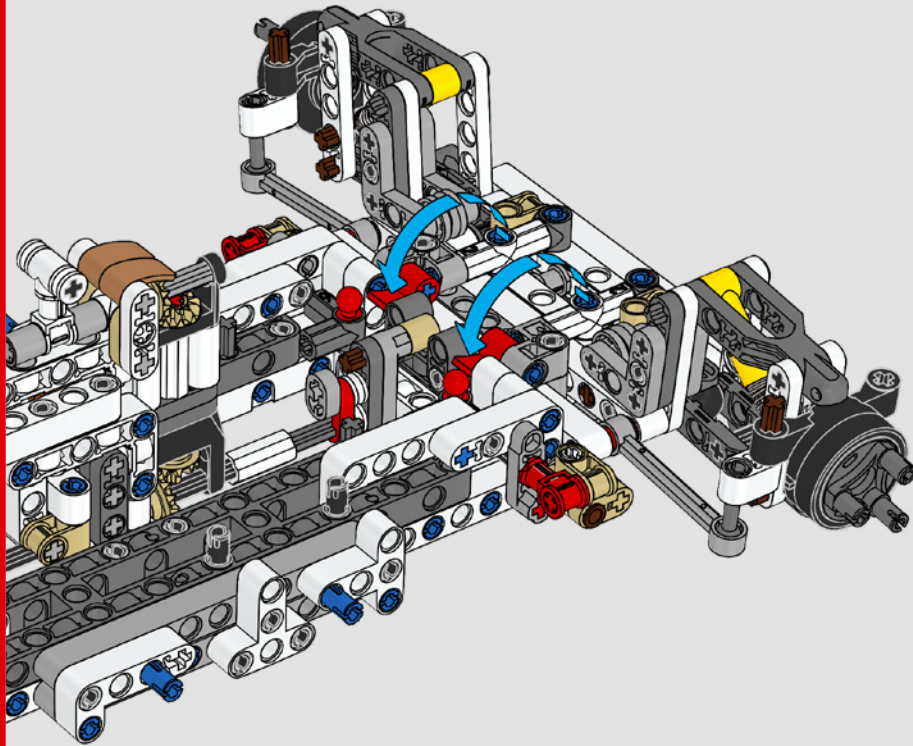
84



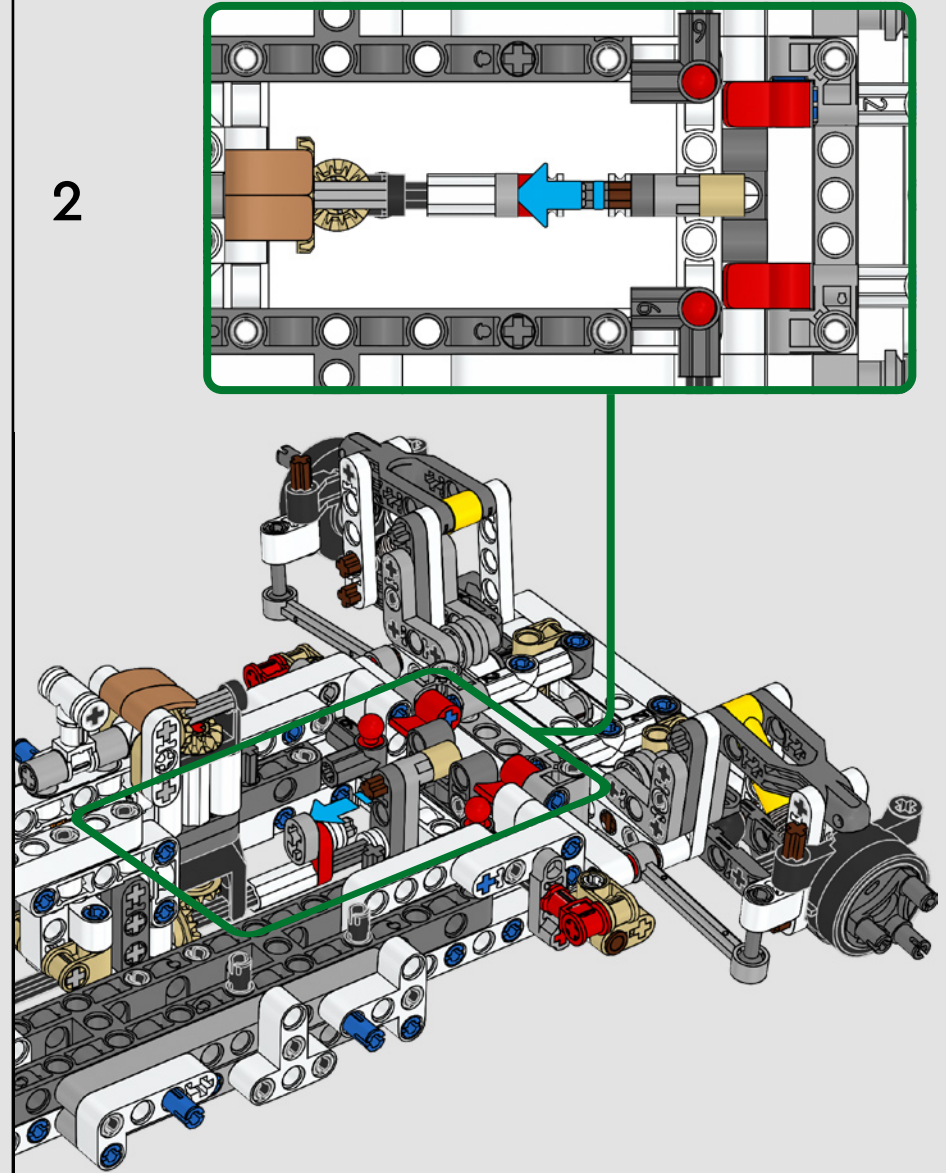




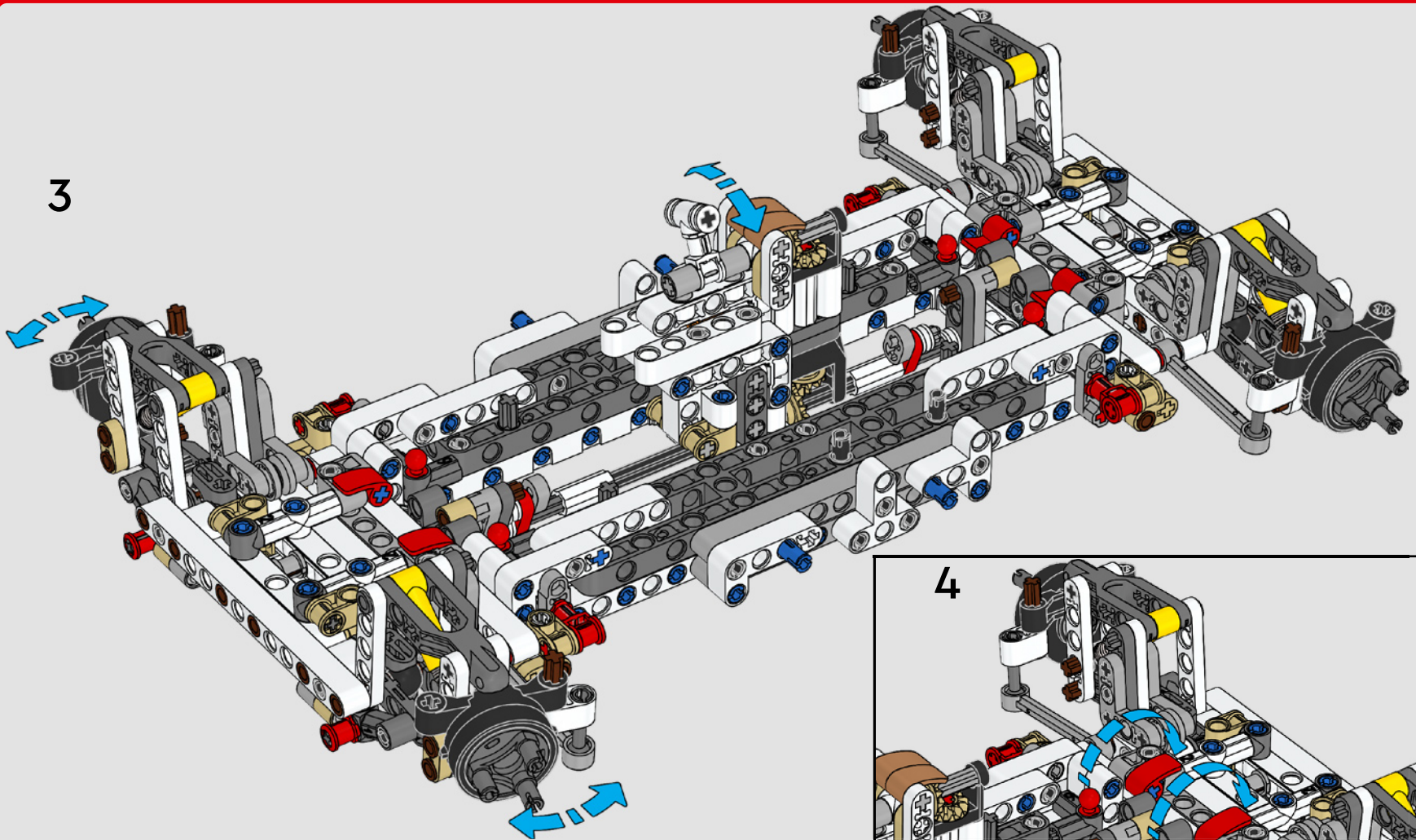
1



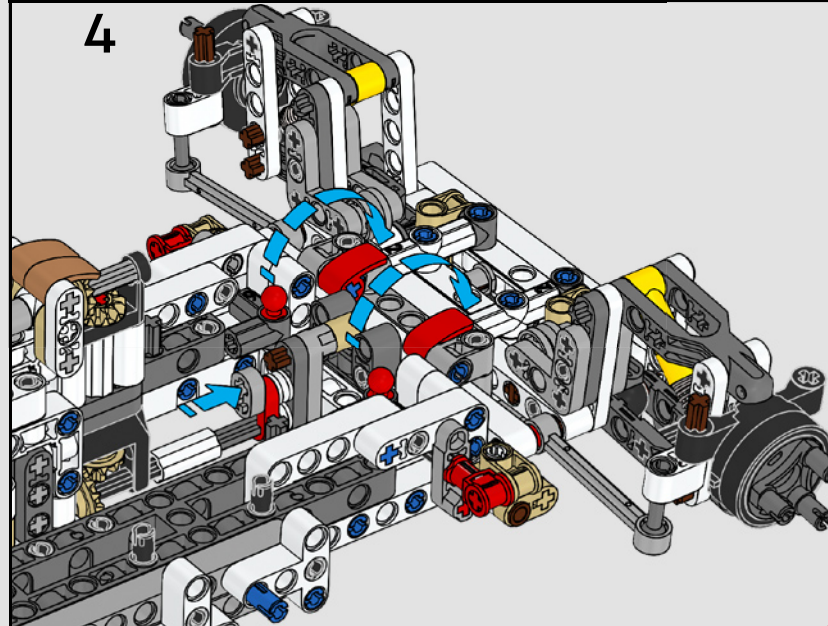
2



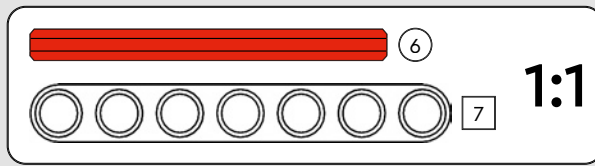
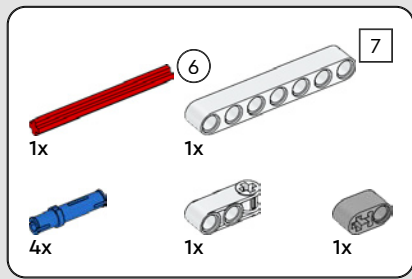
3



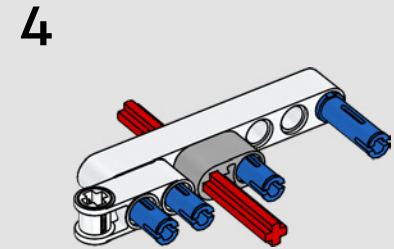
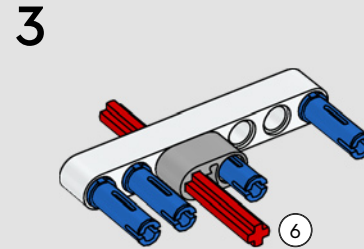
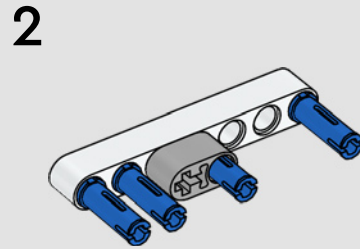
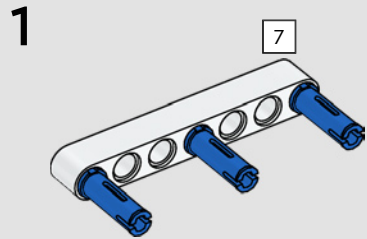
4

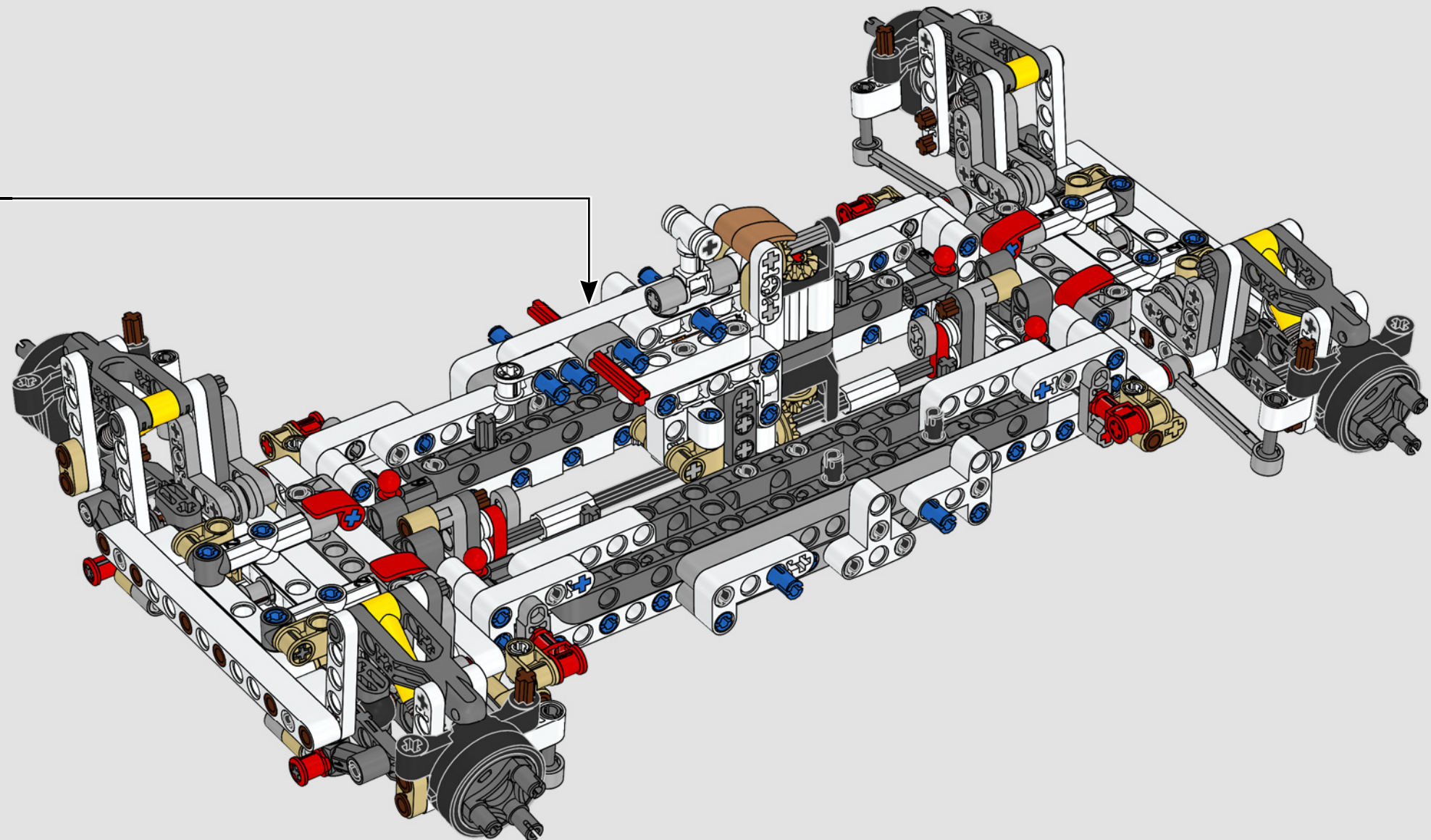


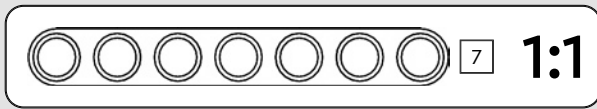
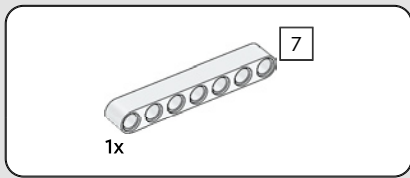




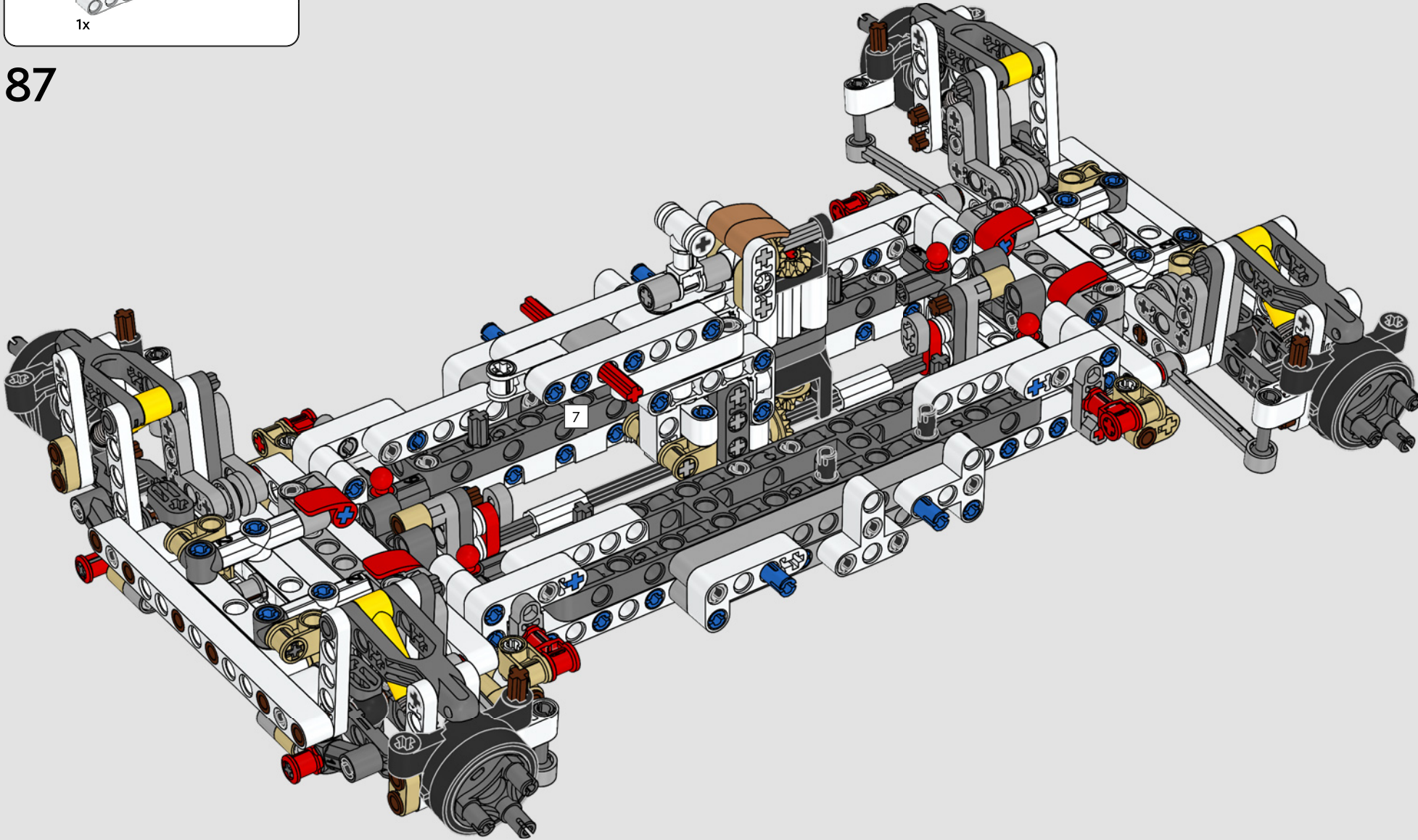
86







87



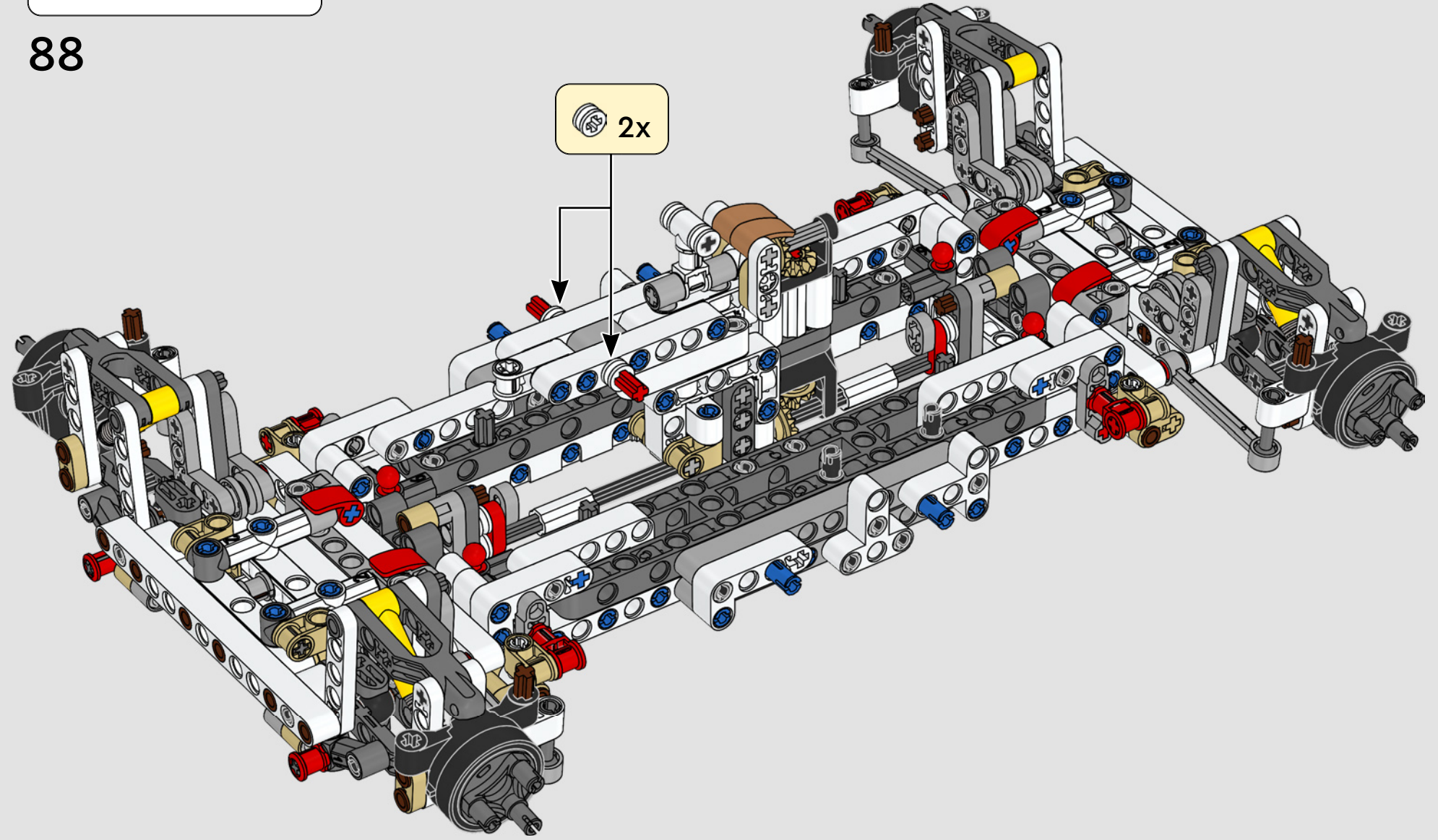


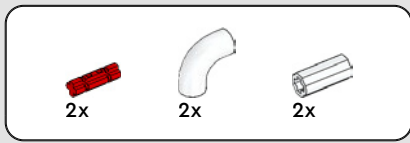
2x

88

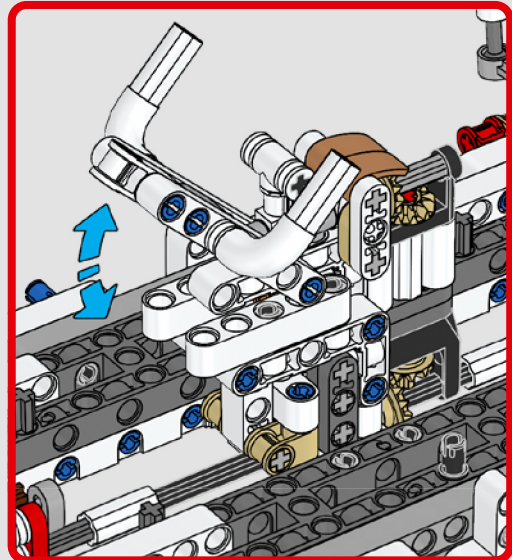
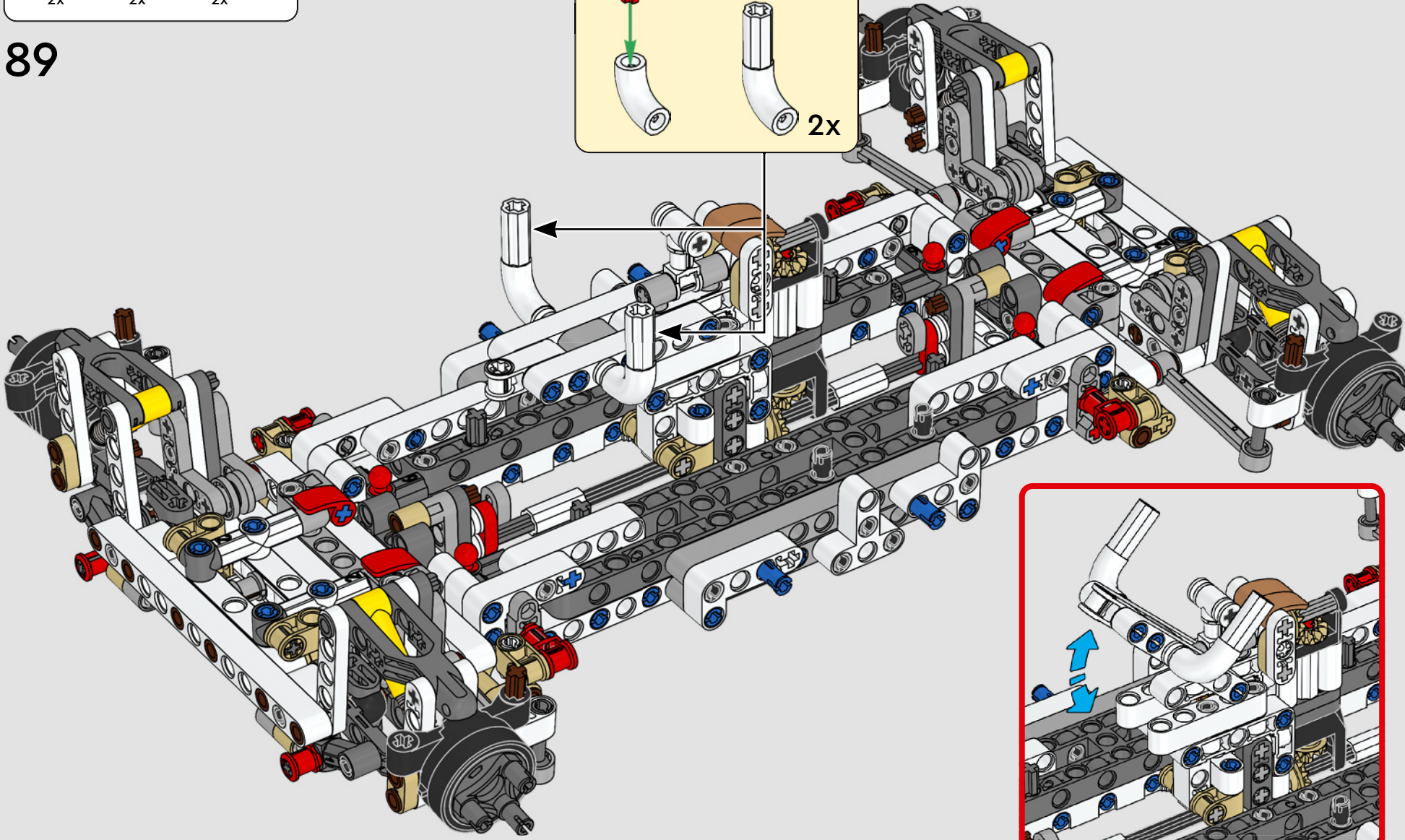
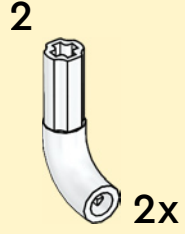
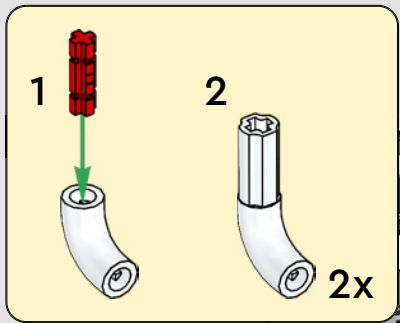


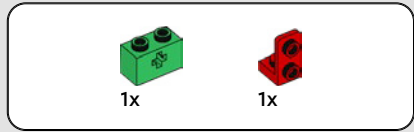
2x



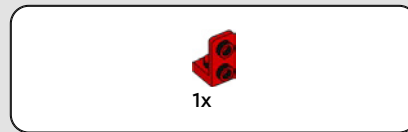
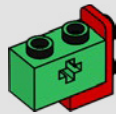


89

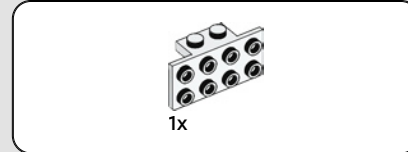
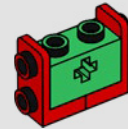




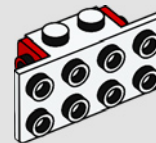
90

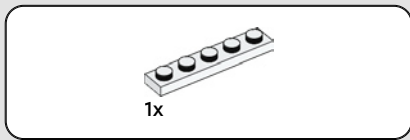


91

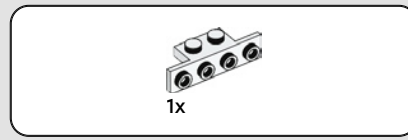
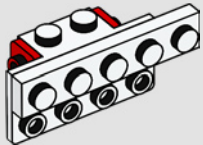


92

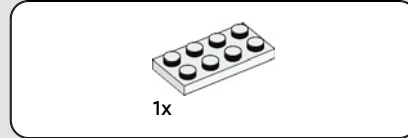
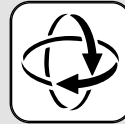




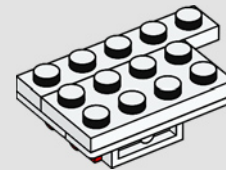
93

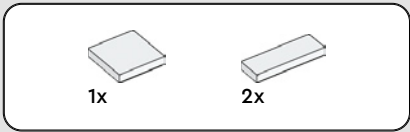


94

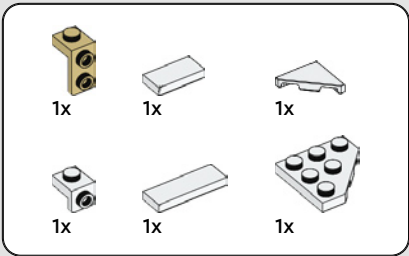
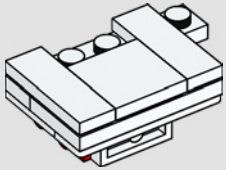


95

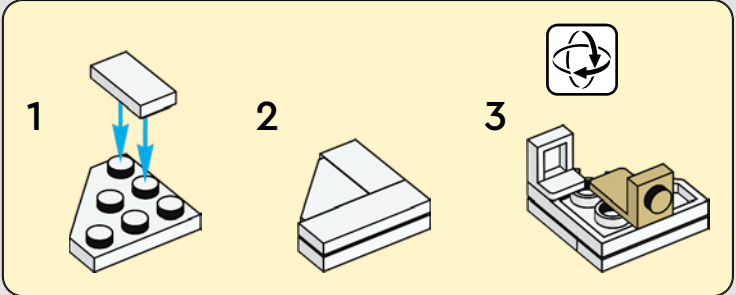




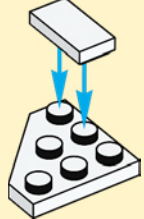
96



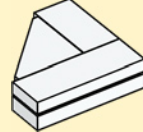
97



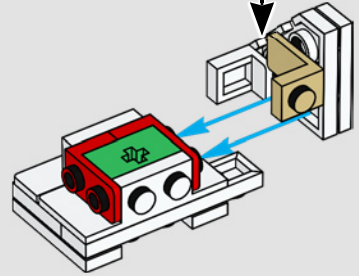
1



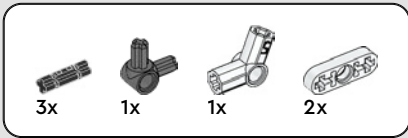
2



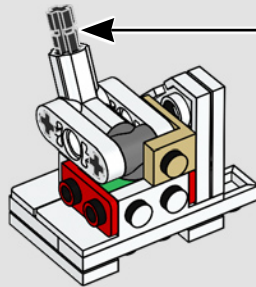
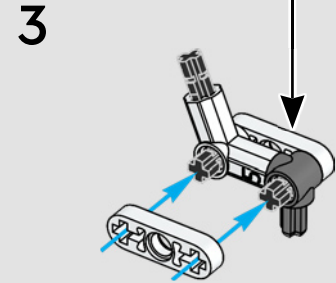
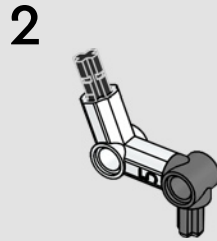
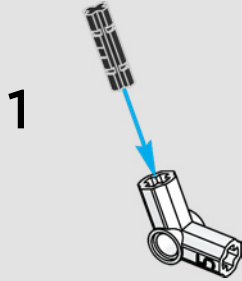
3

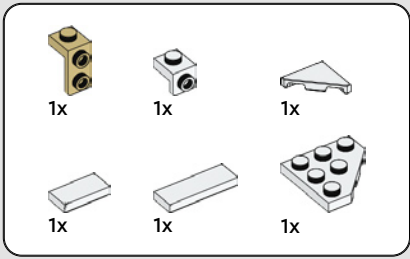




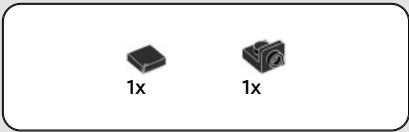
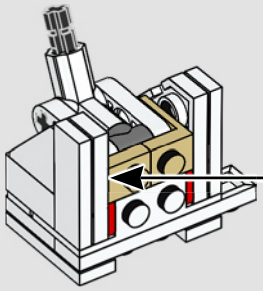
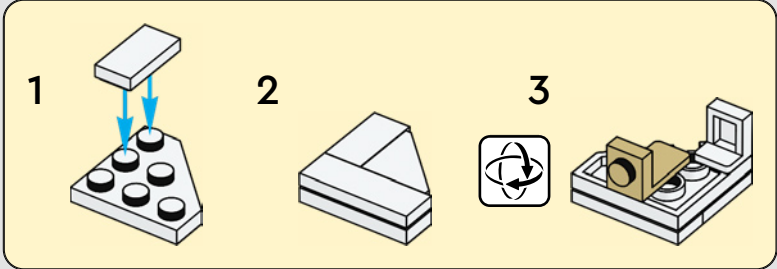


98

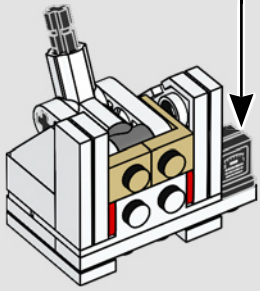
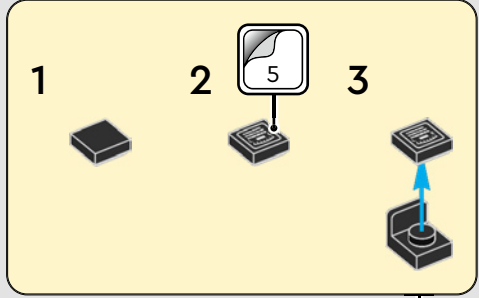


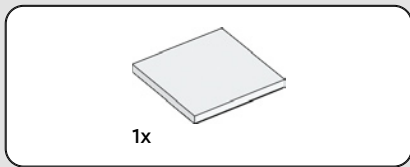


99

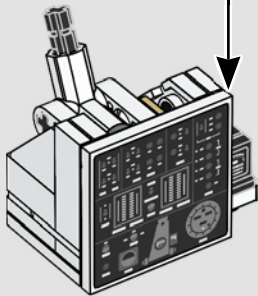
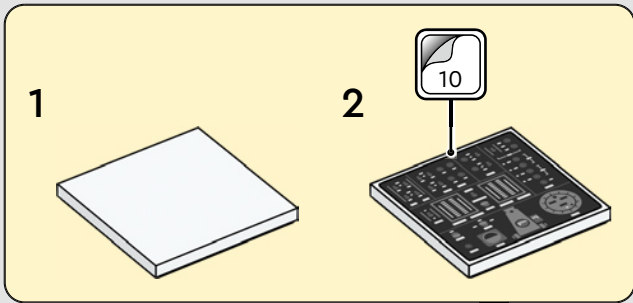


100

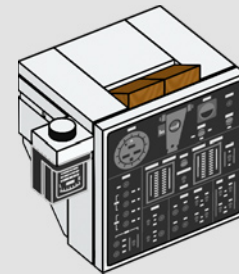
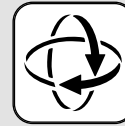




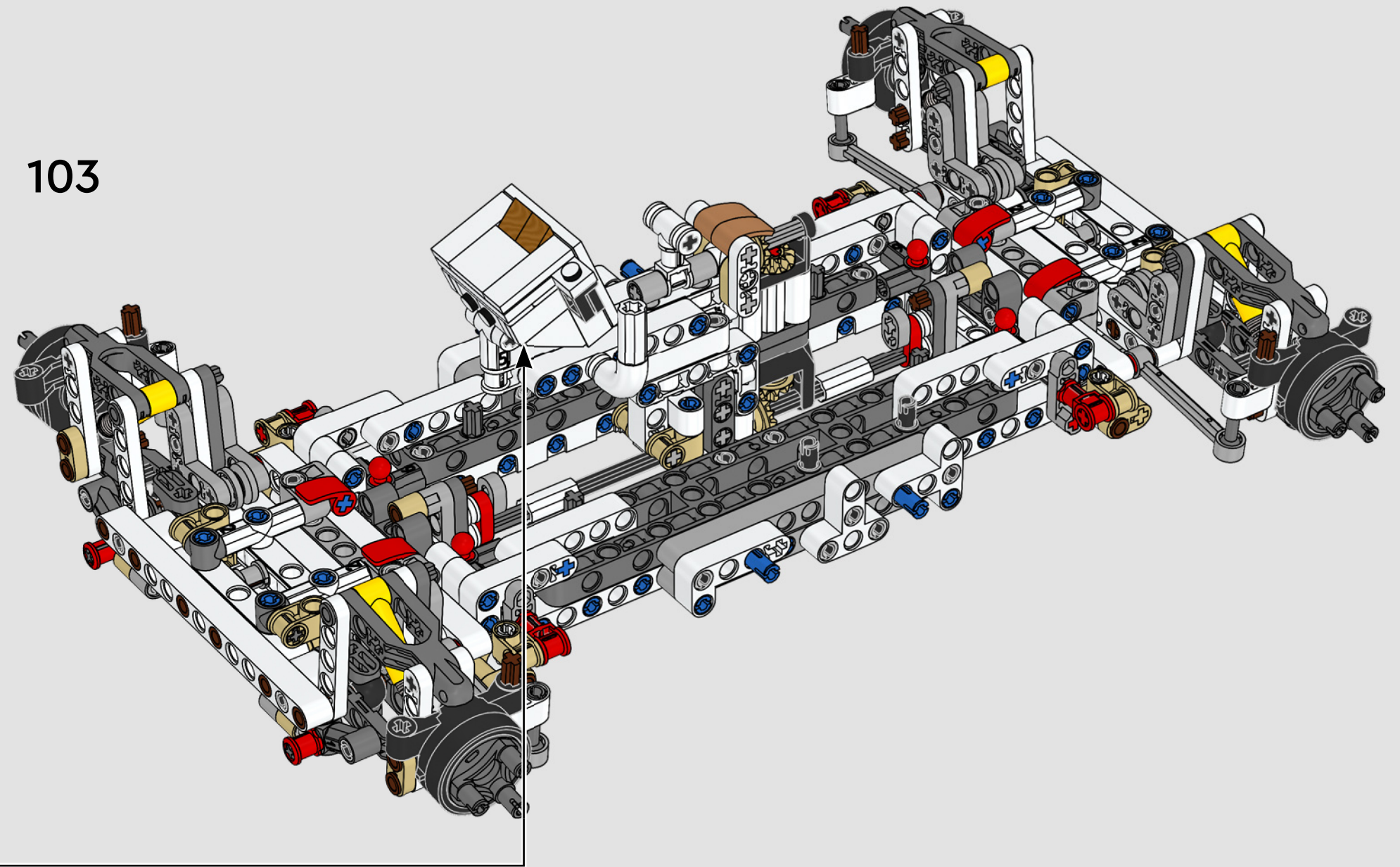
101

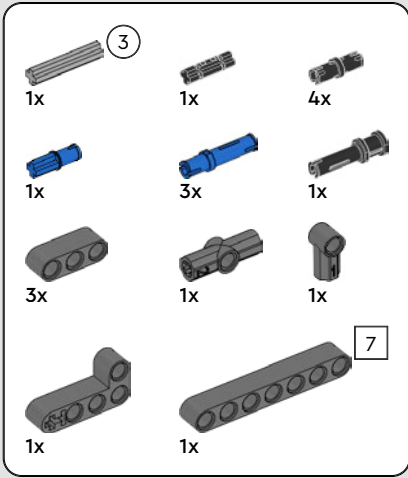
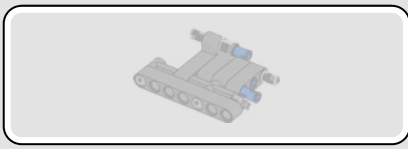


102



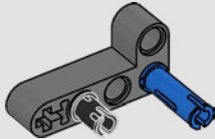
103



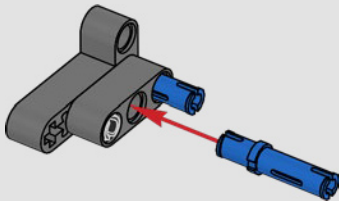


# 104

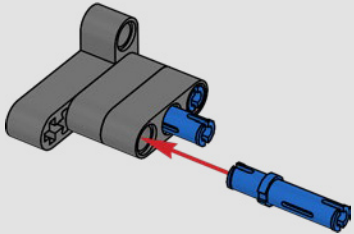
1



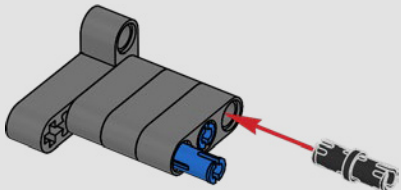
2

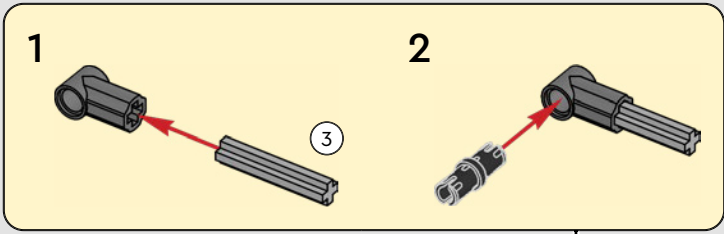


3

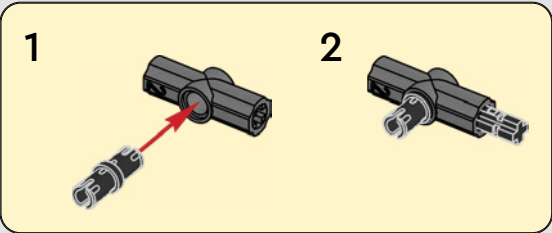
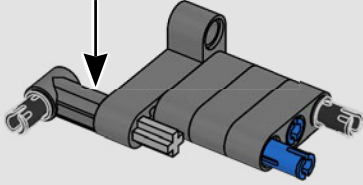


4

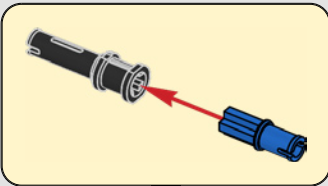
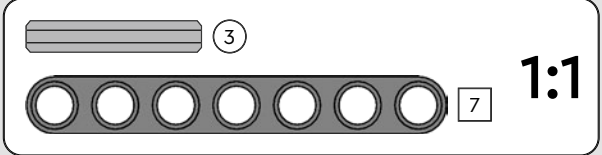
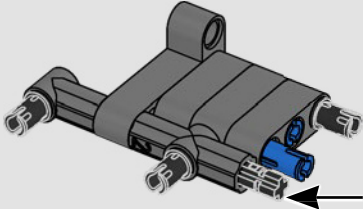




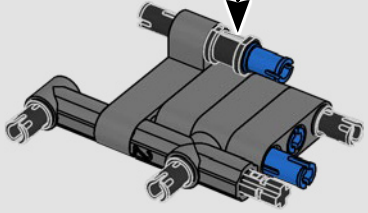
5



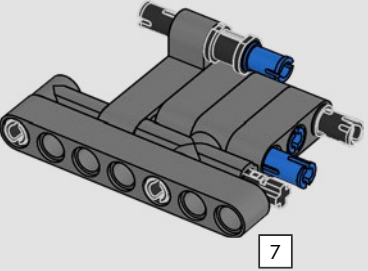
6

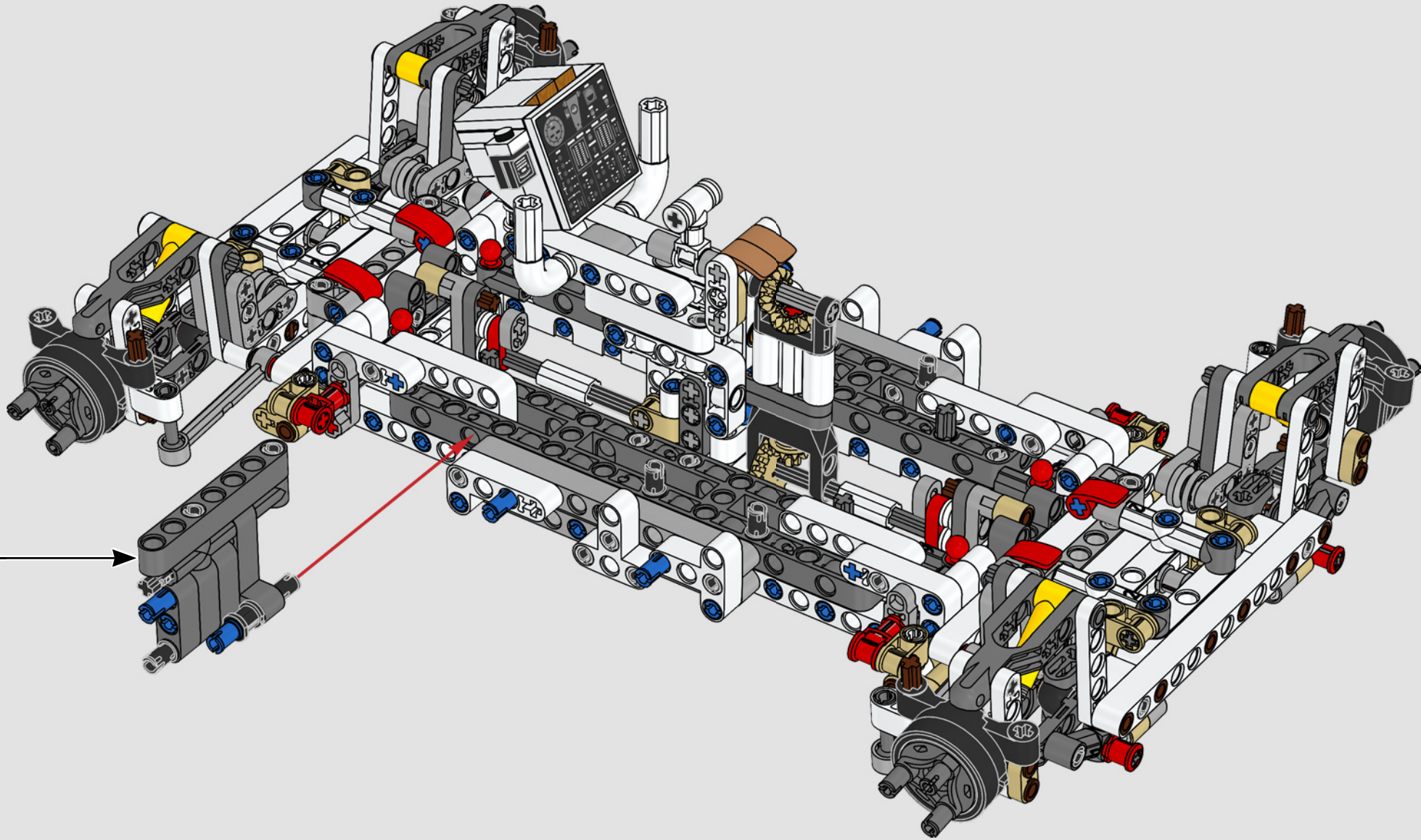


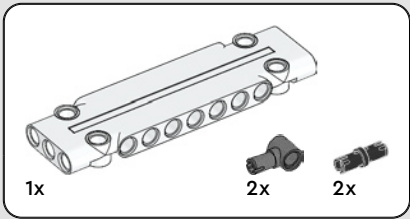
7



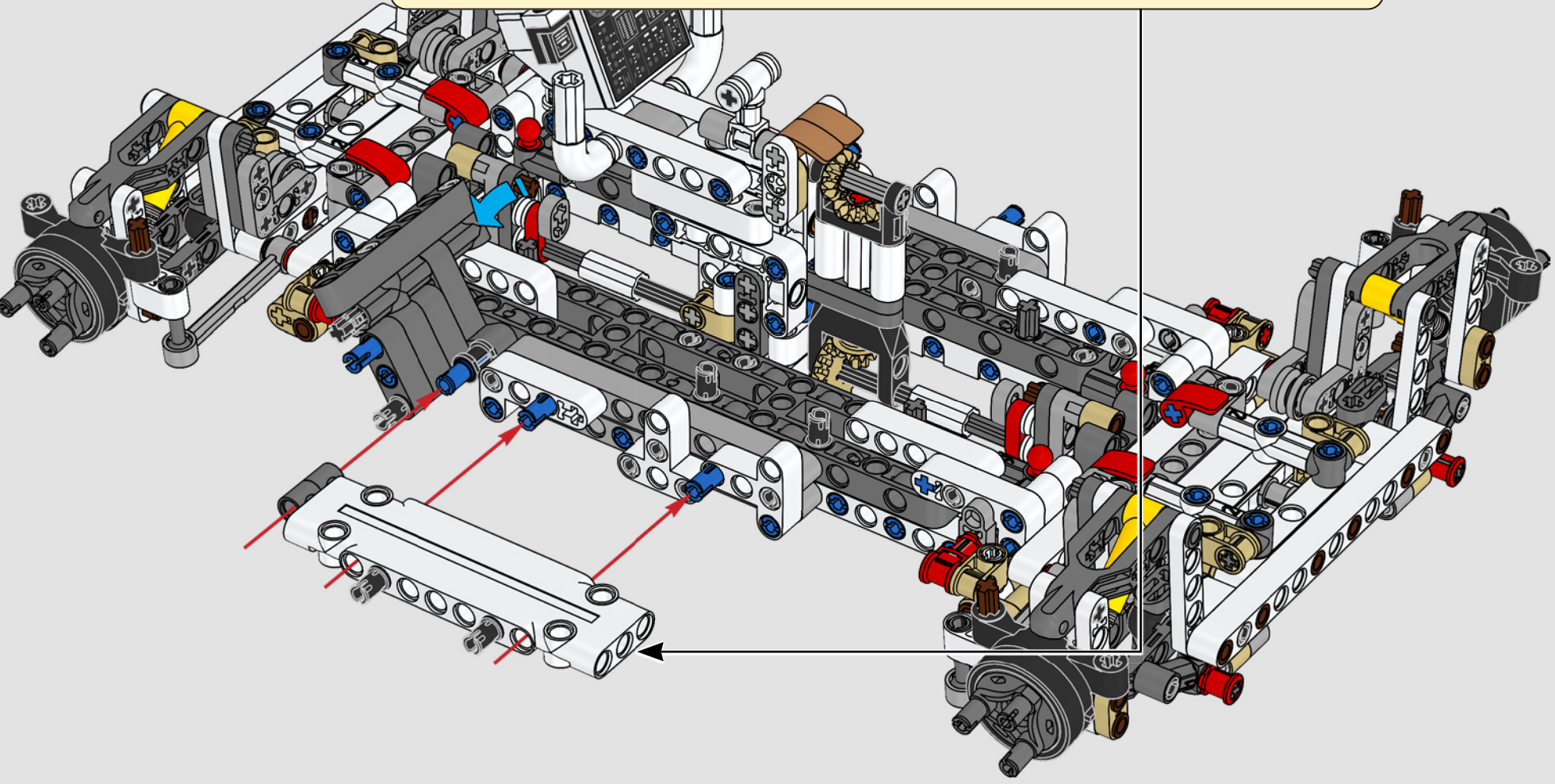
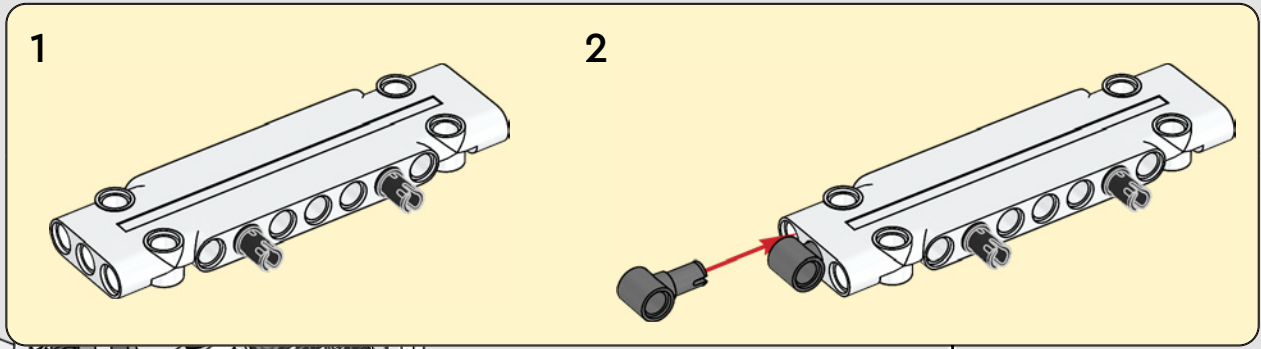
8



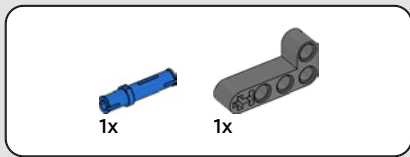




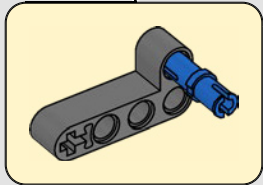
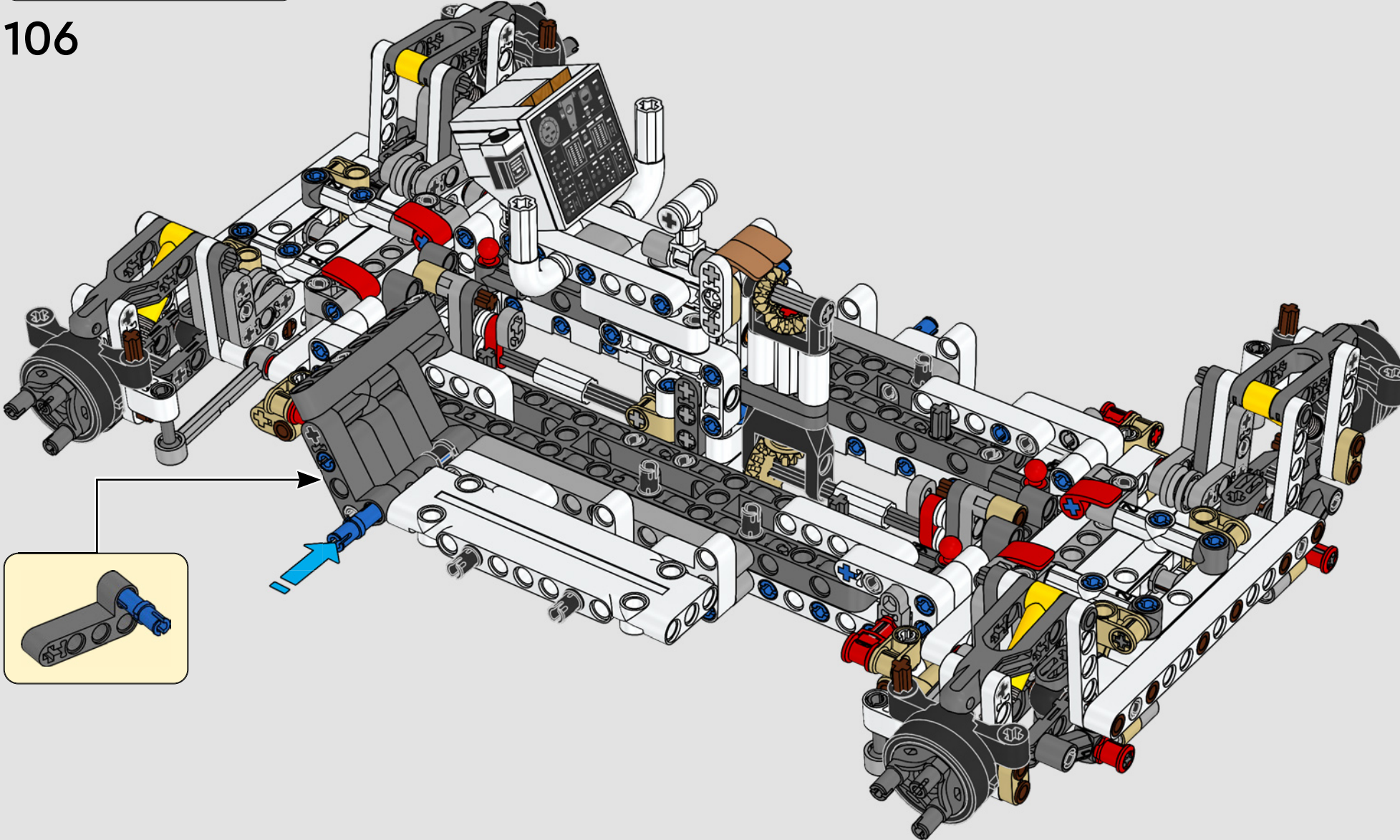
105

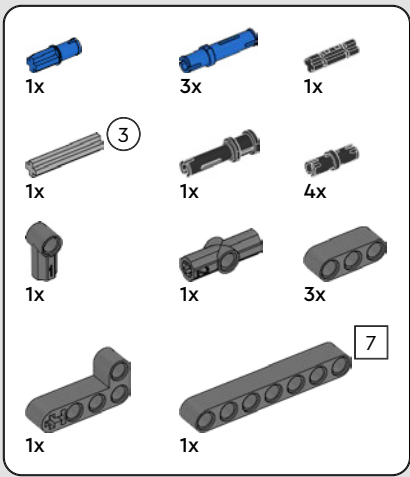






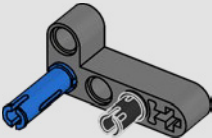
106



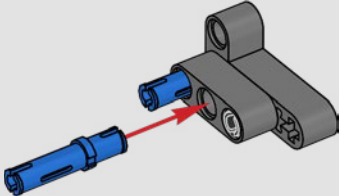


# 107

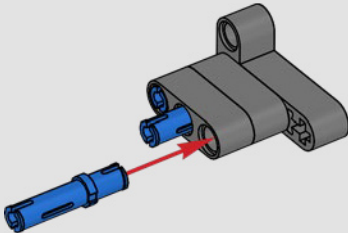
1



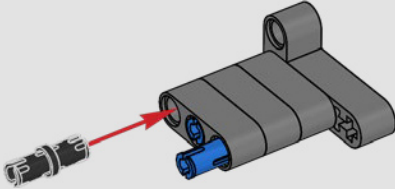
2

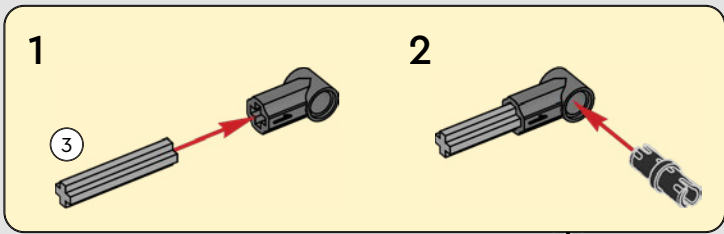


3

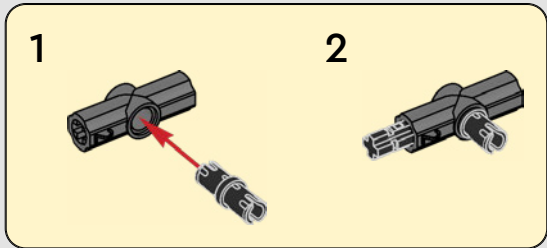
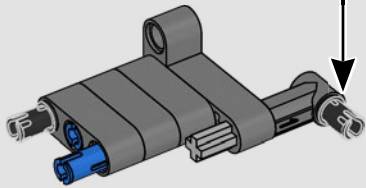


4

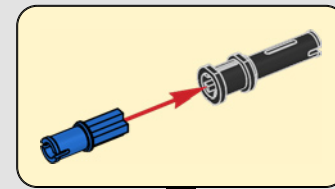
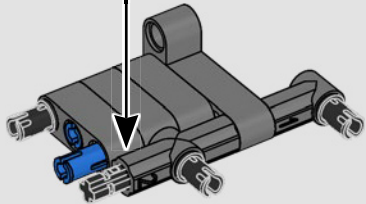




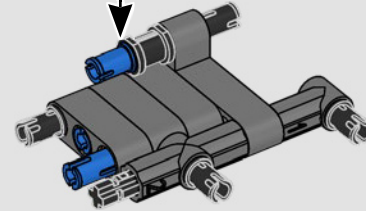
5



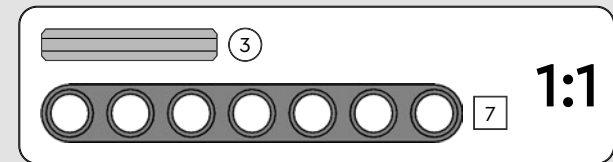
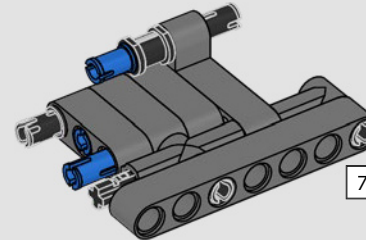
6

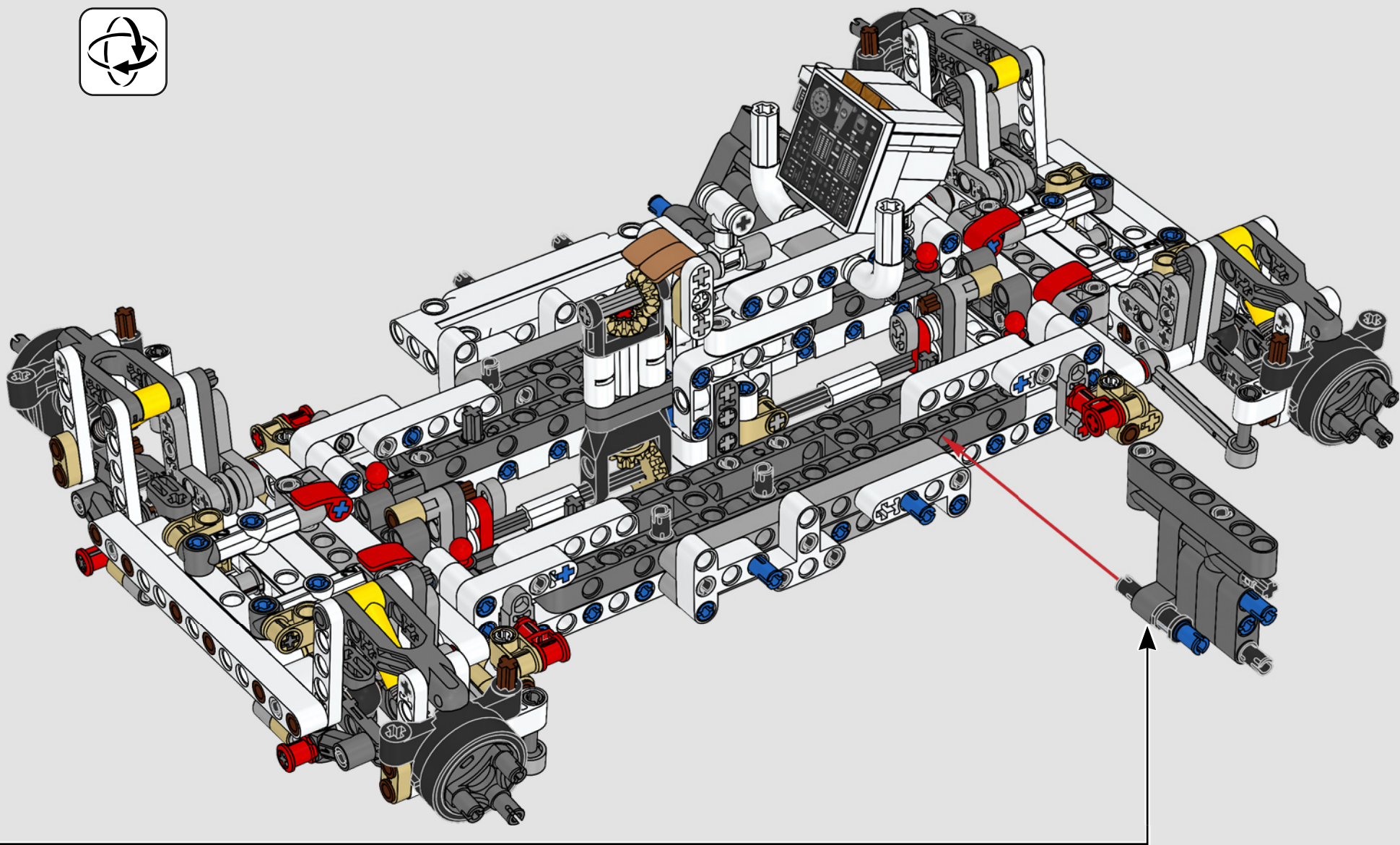


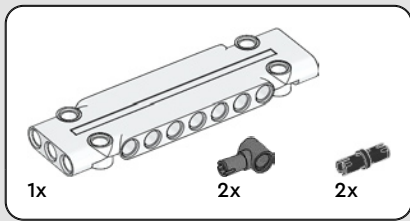
7



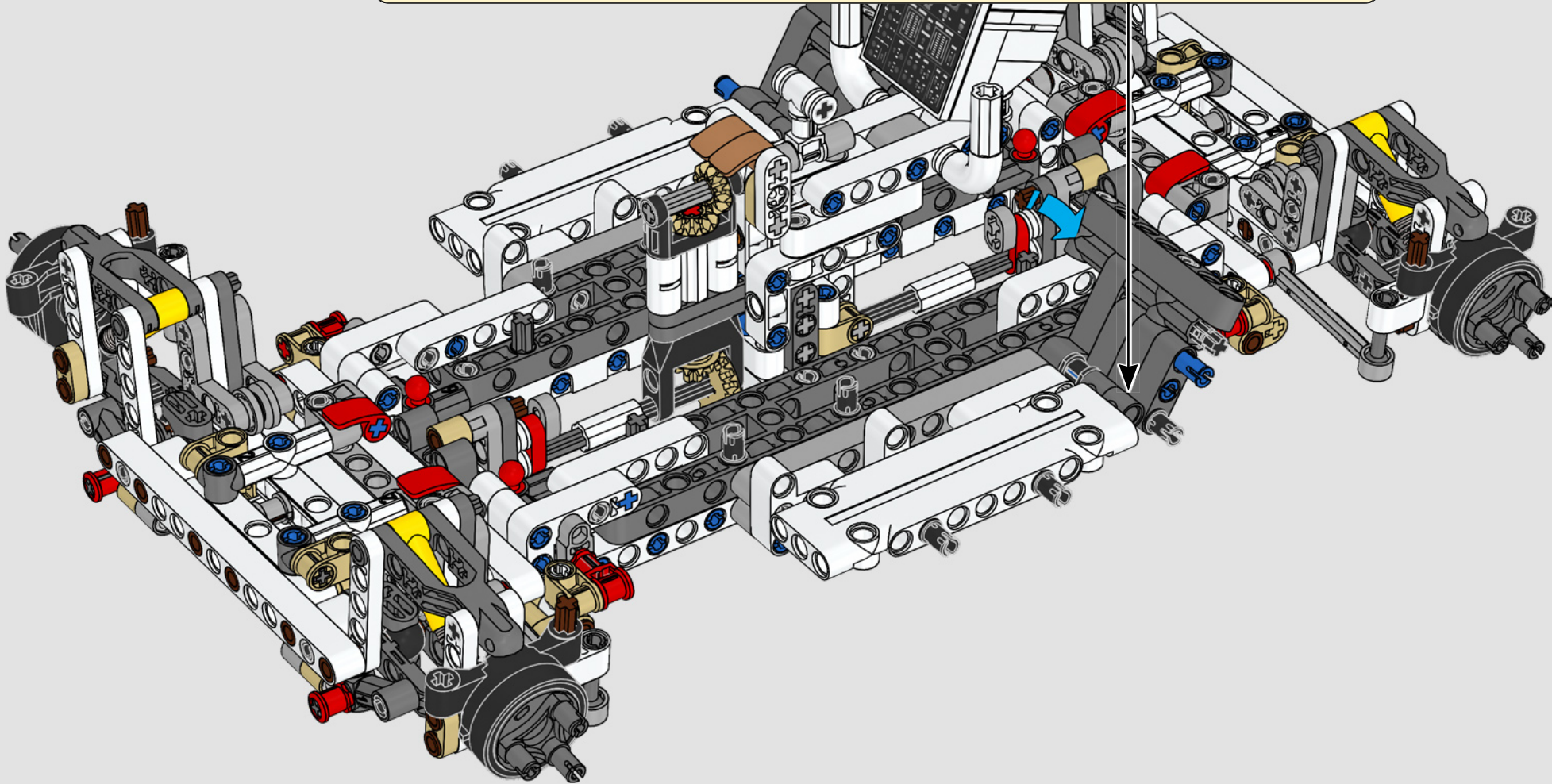
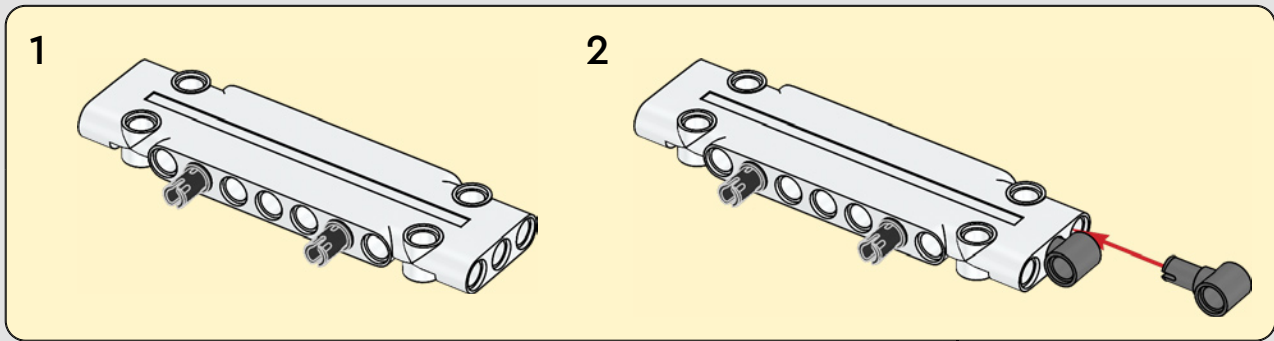
8

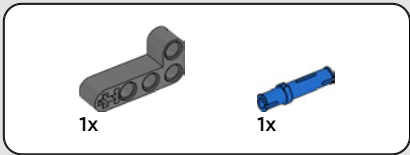




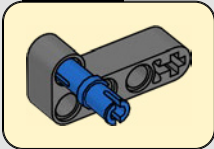
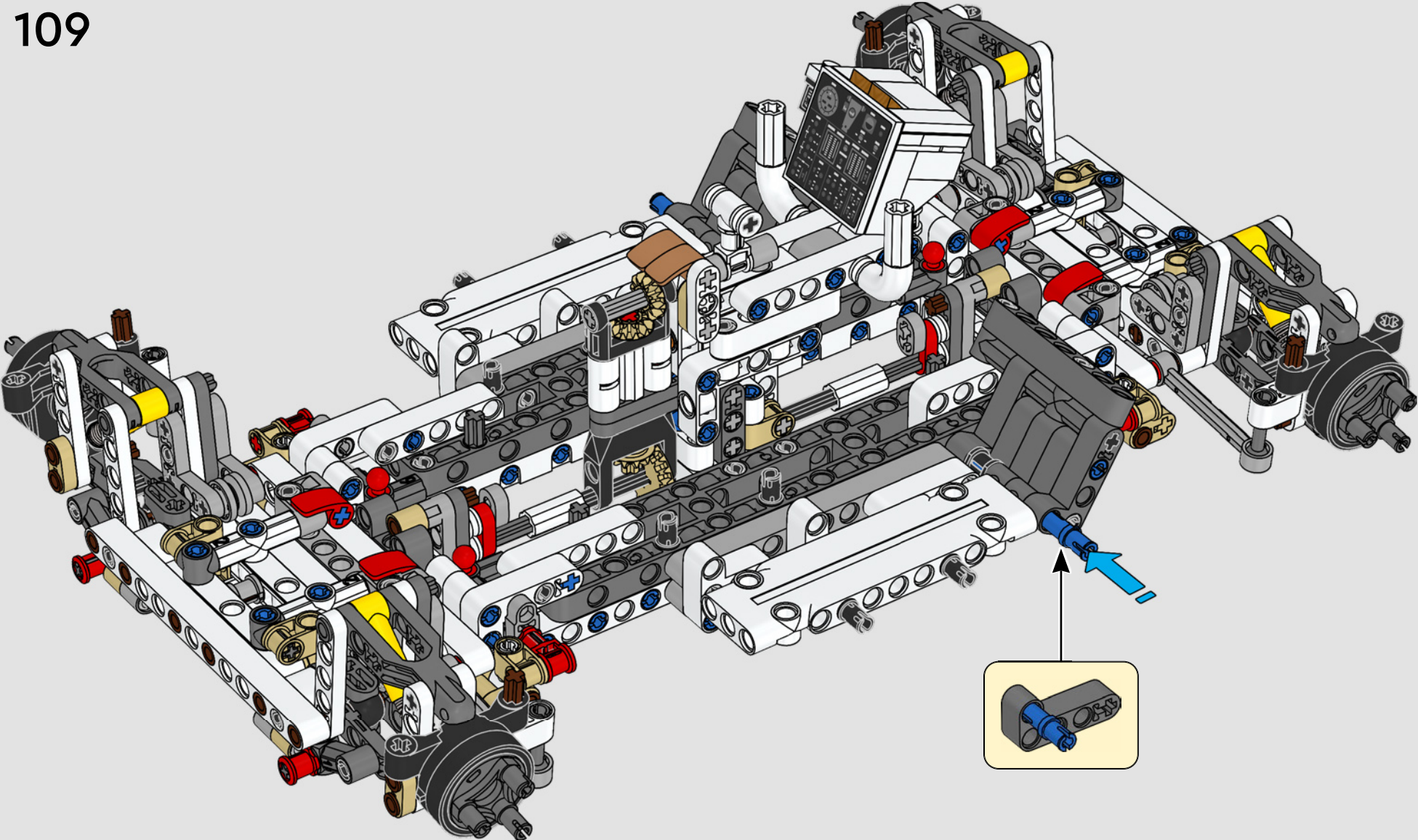


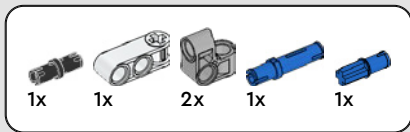
108



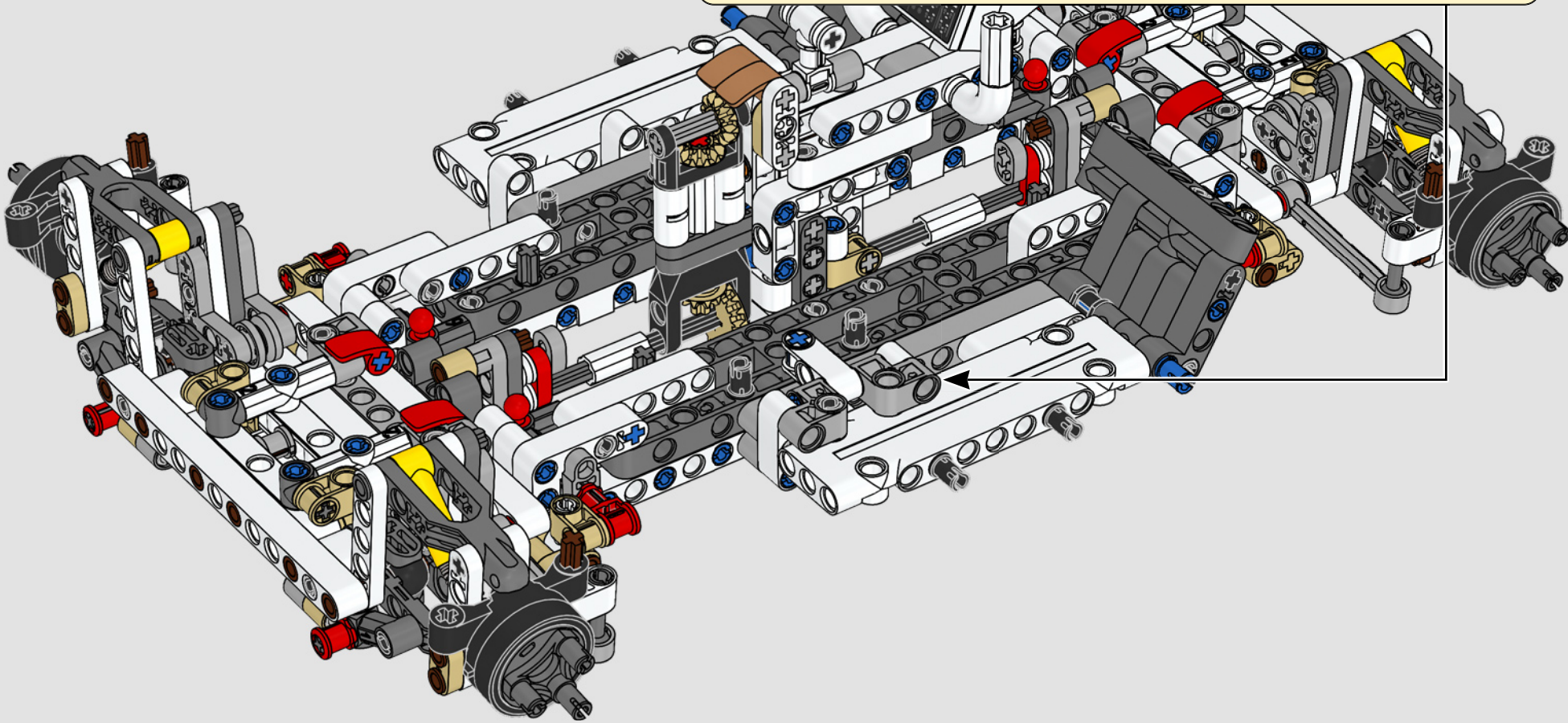
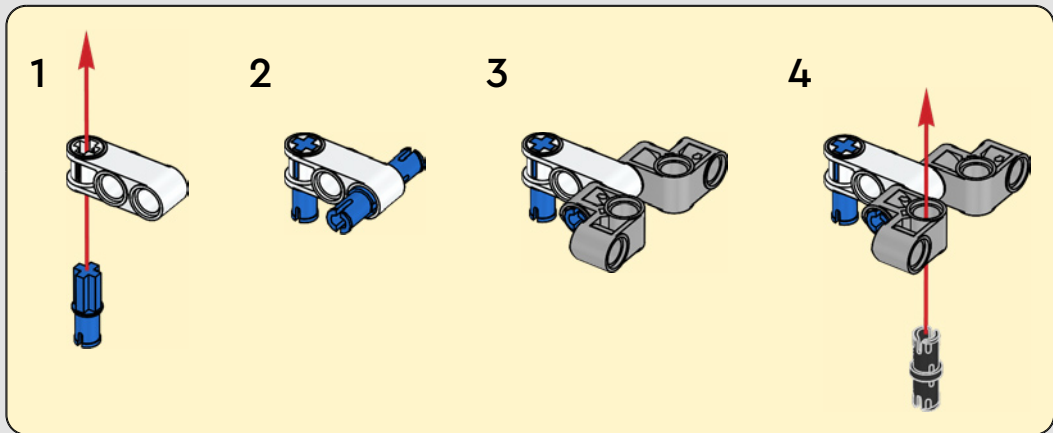


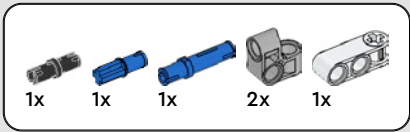
109



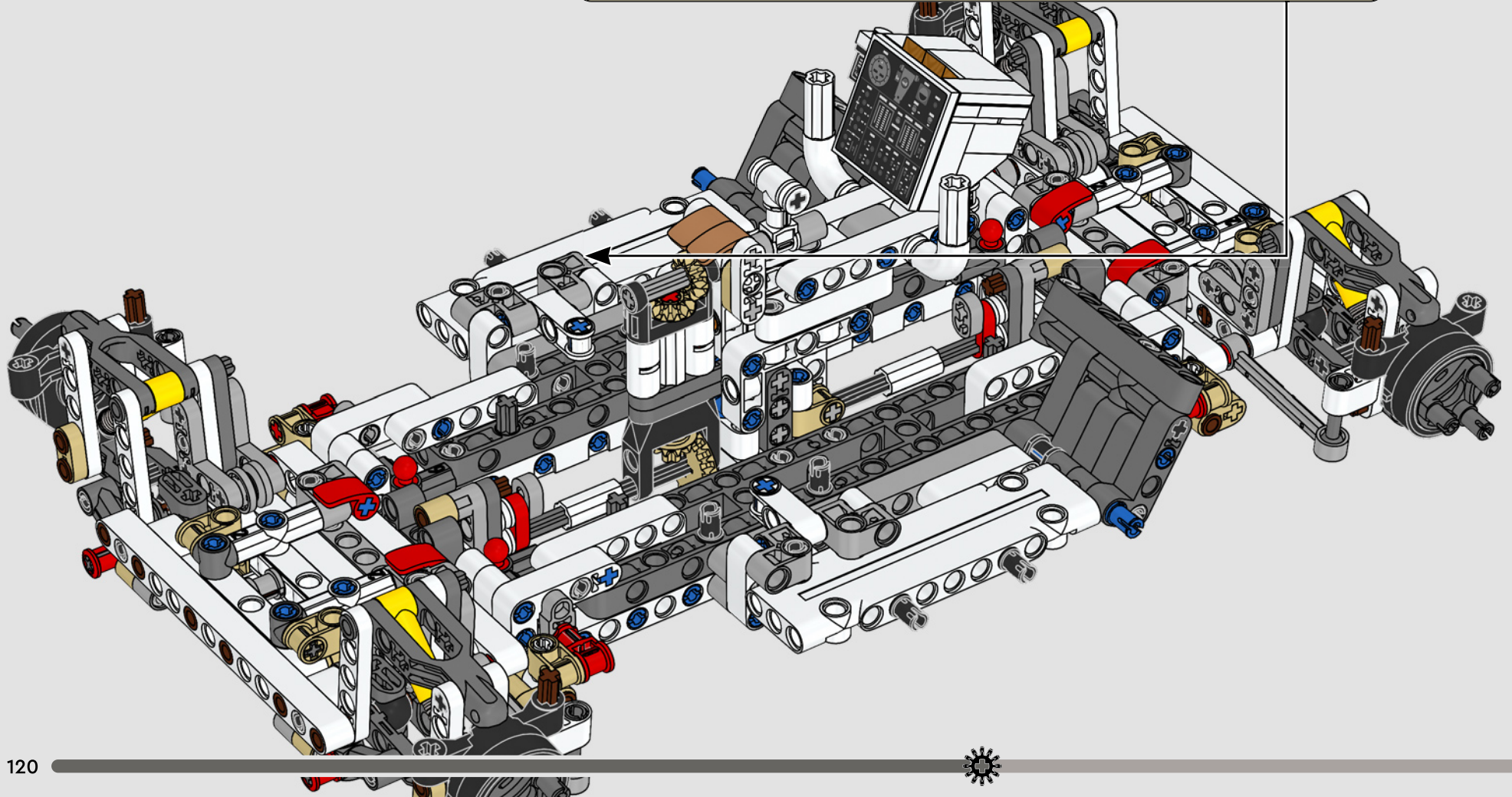
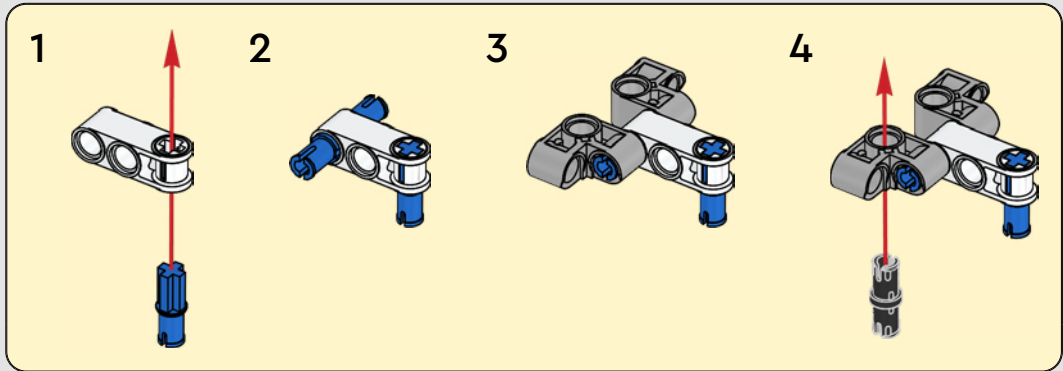


110

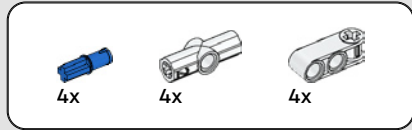
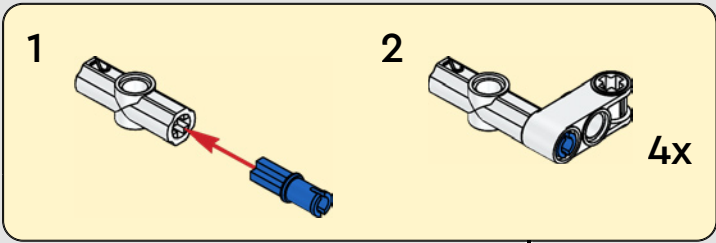




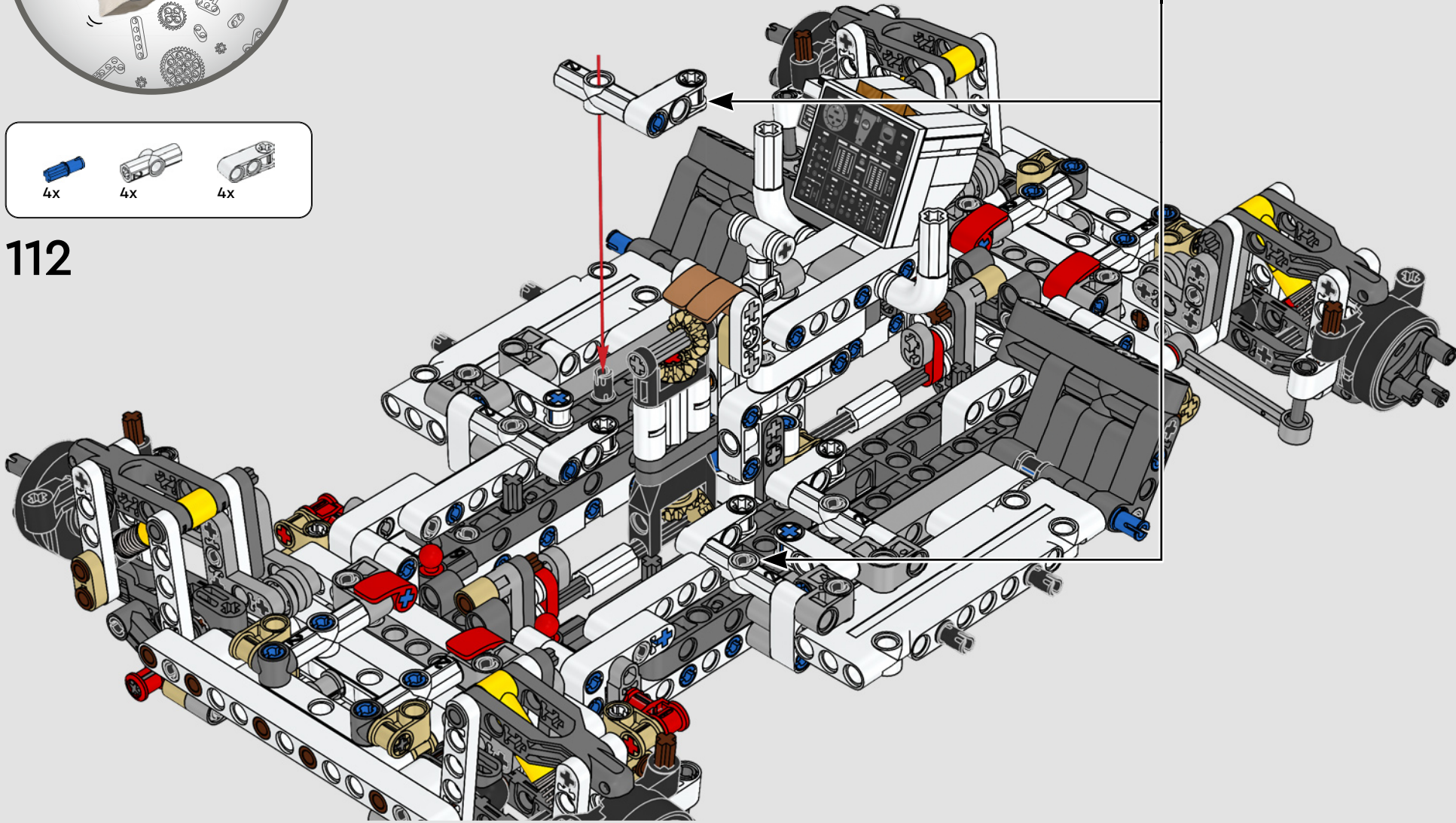
111

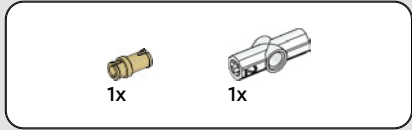
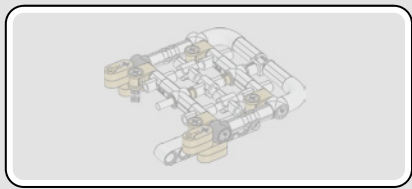




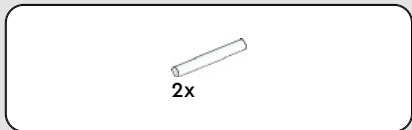
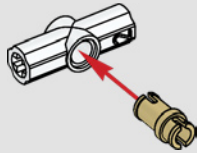


112

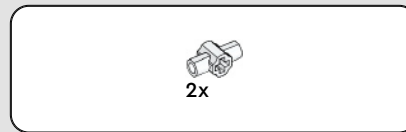
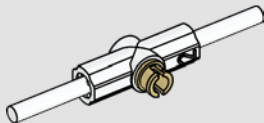




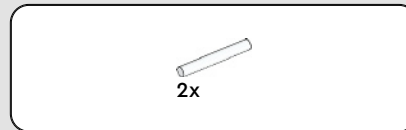
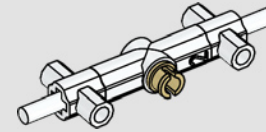
113



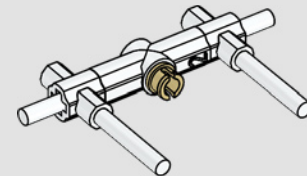
114

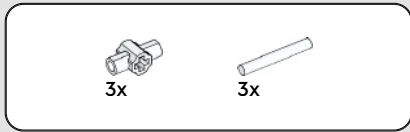


115

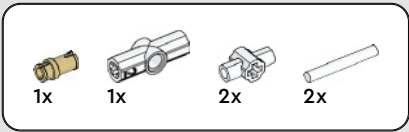
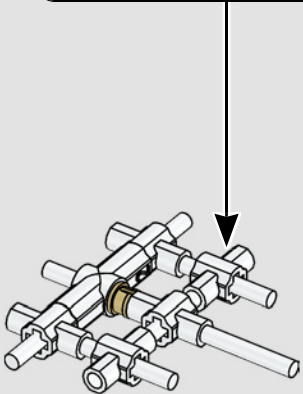
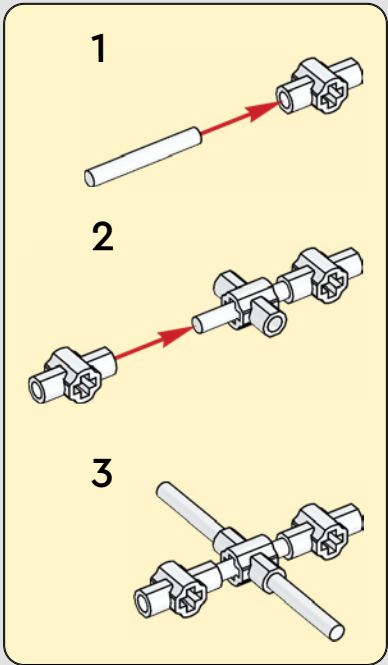


116

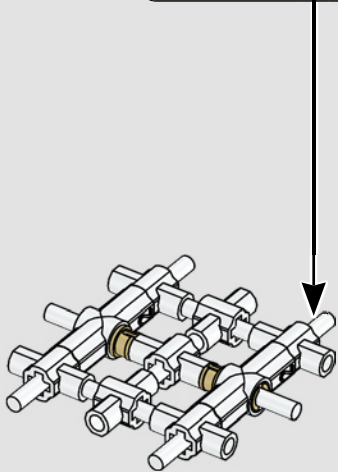
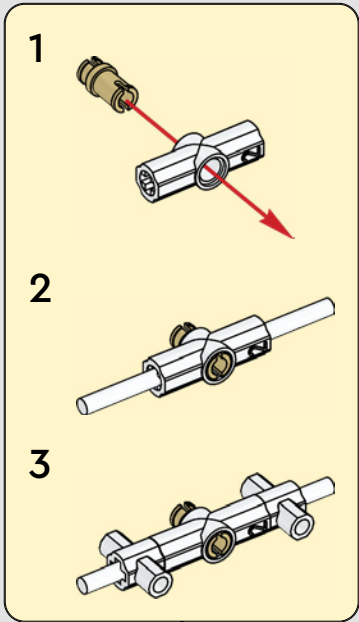


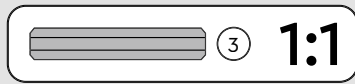
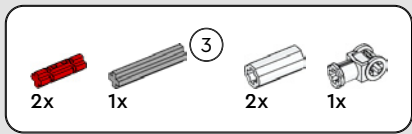


117

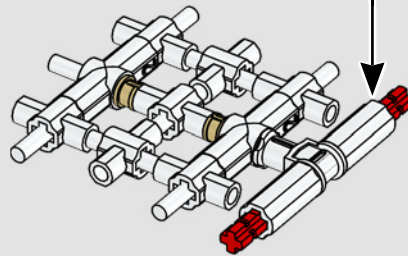
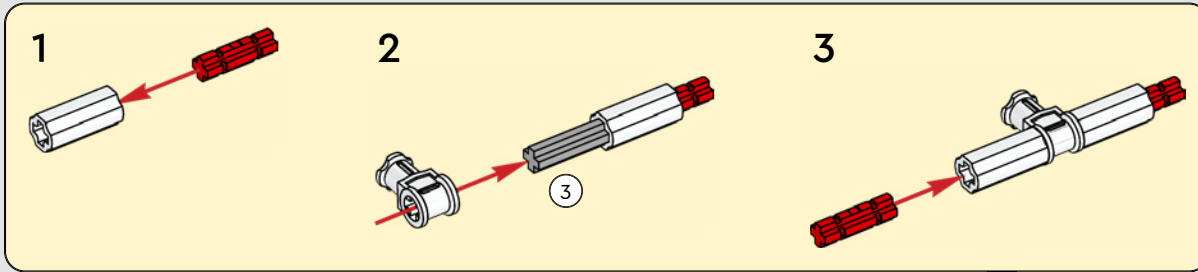


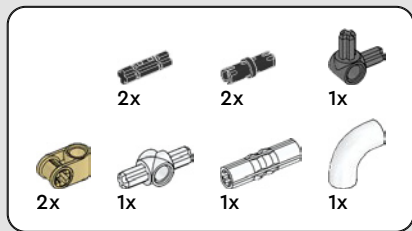
118



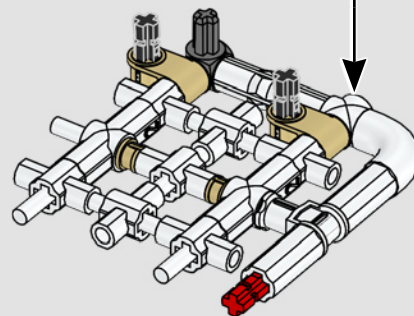
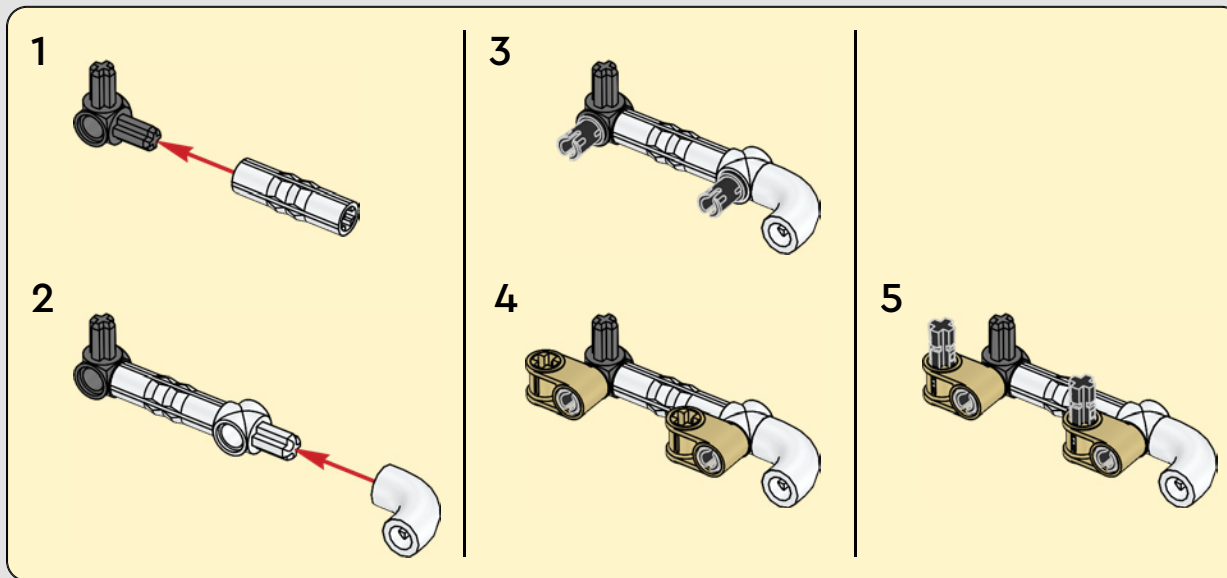


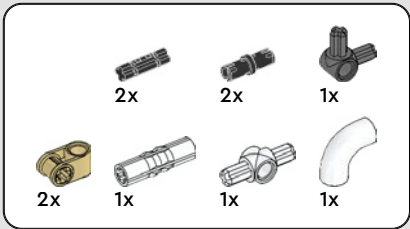
119



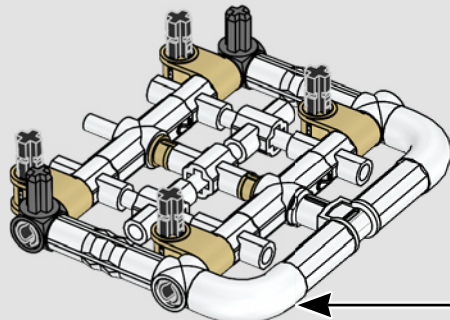
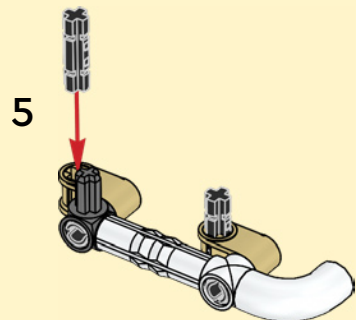
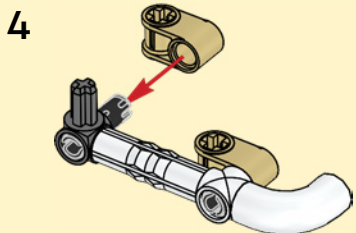
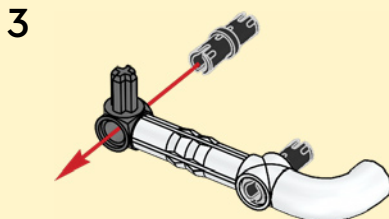
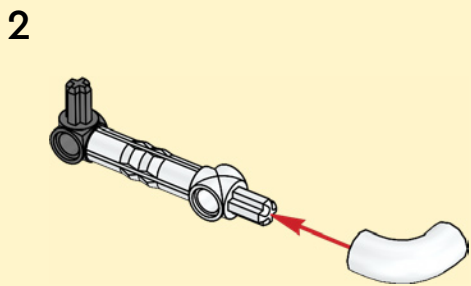
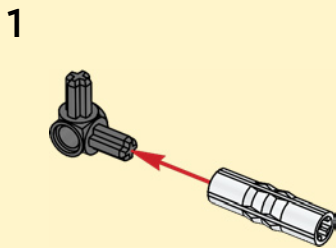


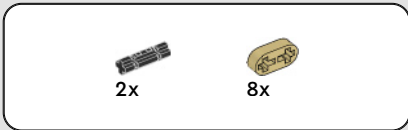
120



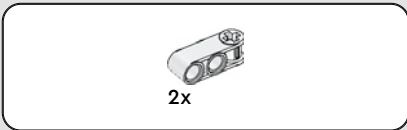
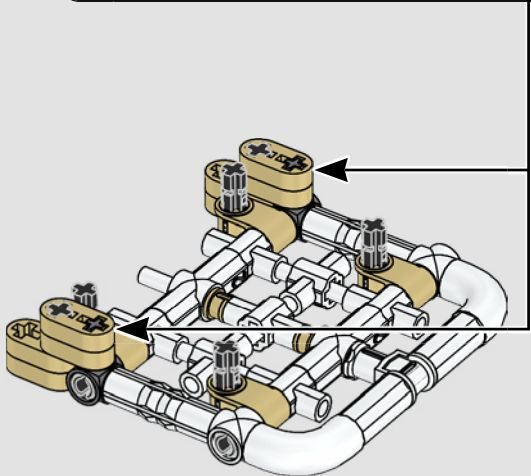
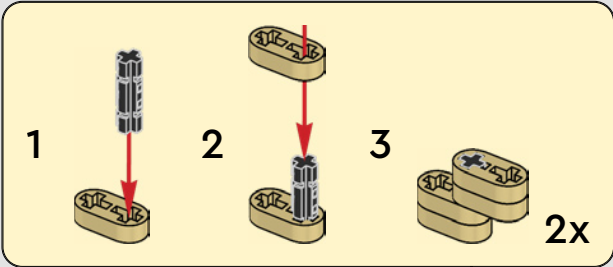


121

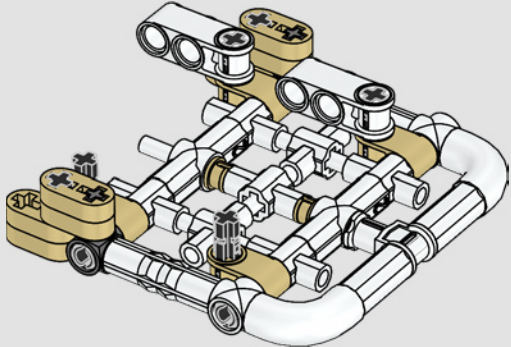




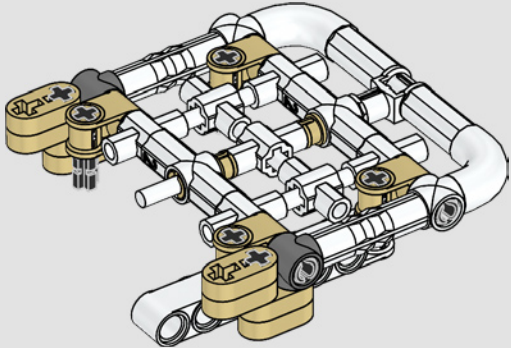
122



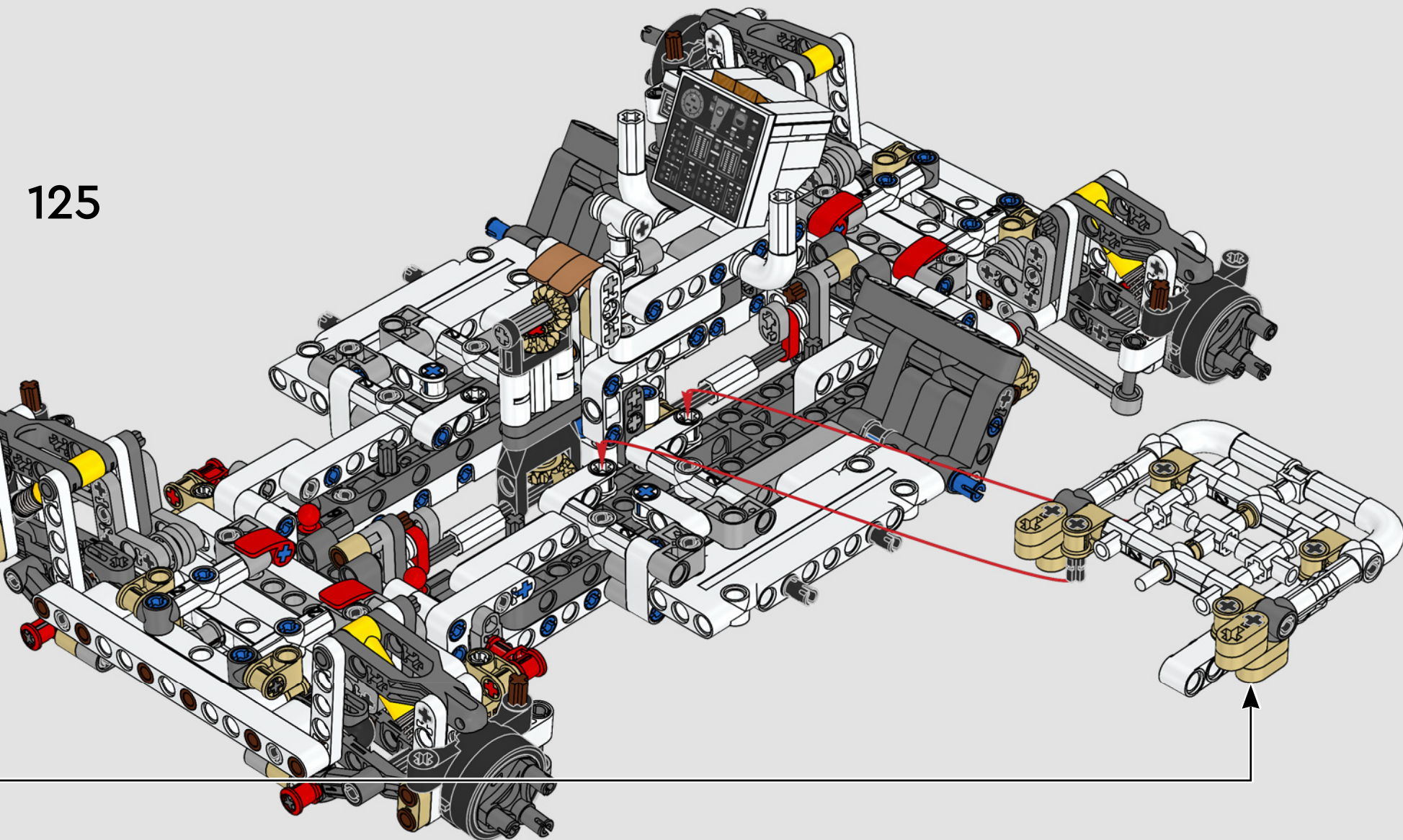
123



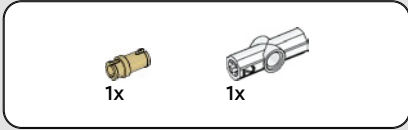
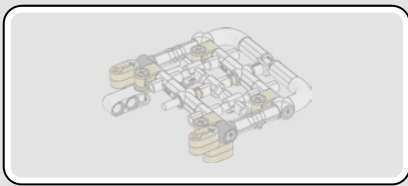
124



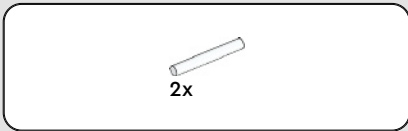
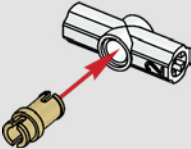
125



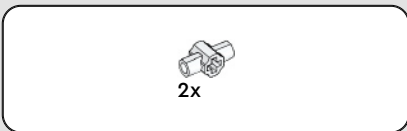
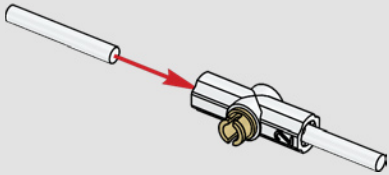




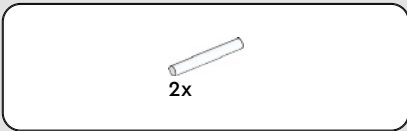
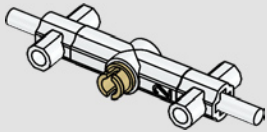
126



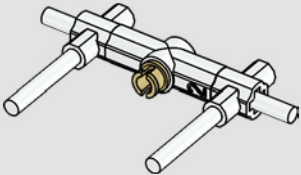
127

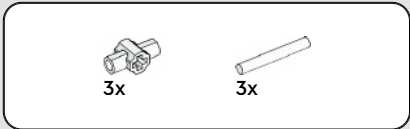


128

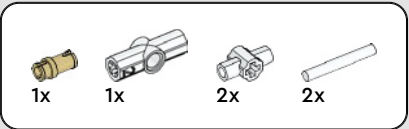
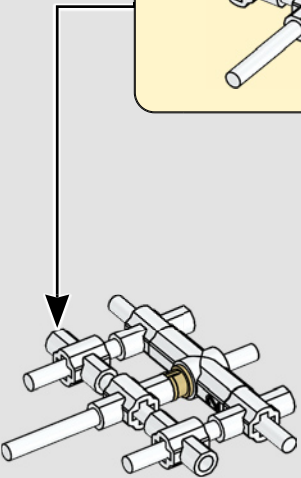
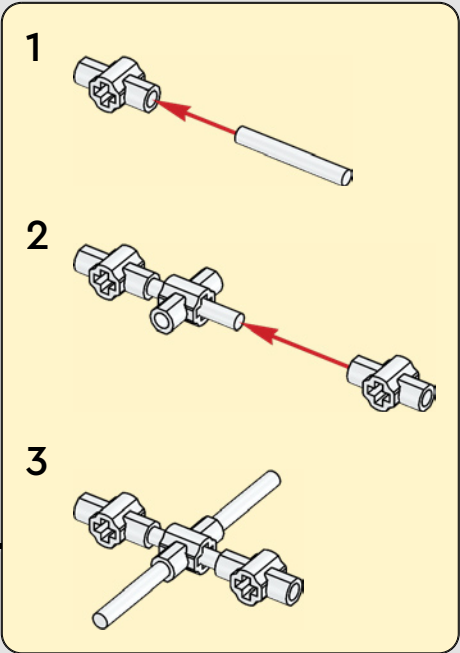


129

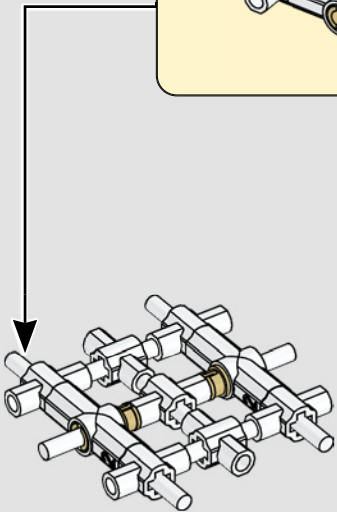
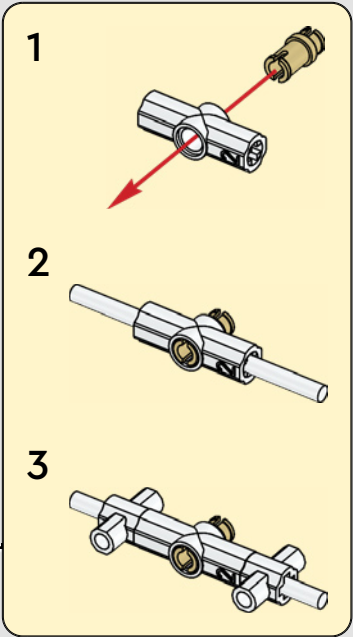


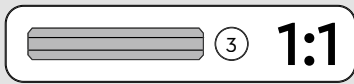
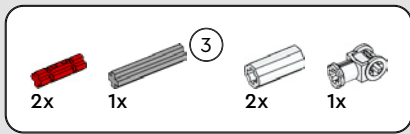


130

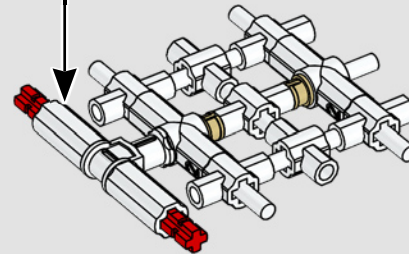
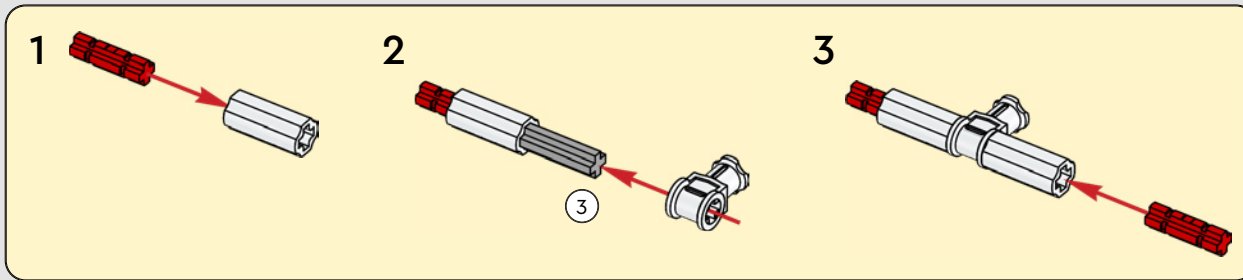


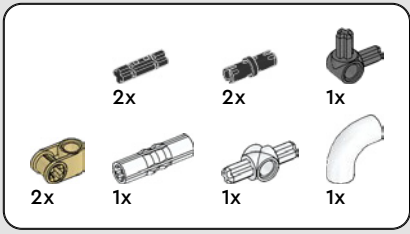
131



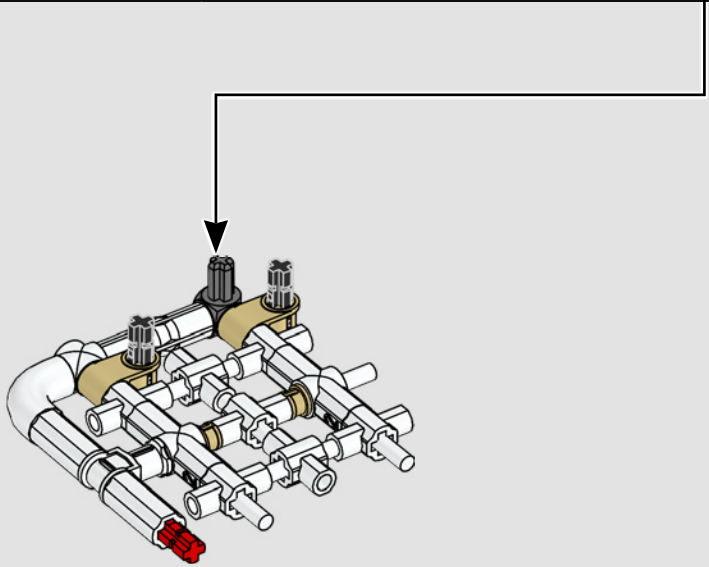
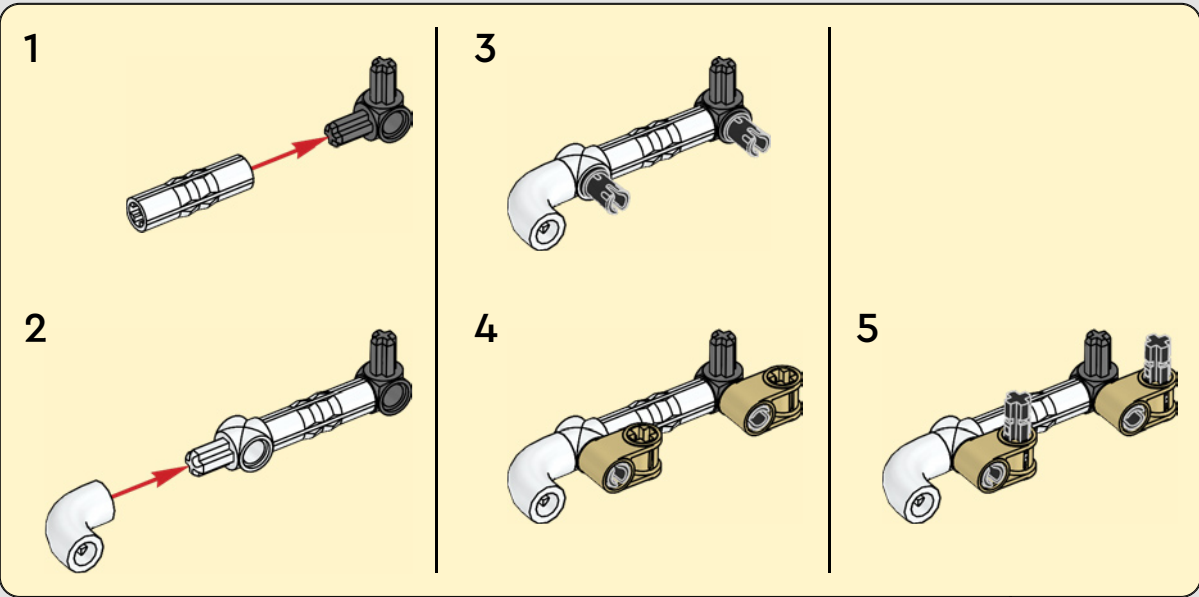


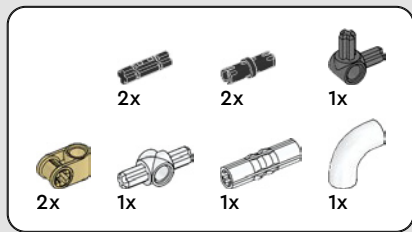
132



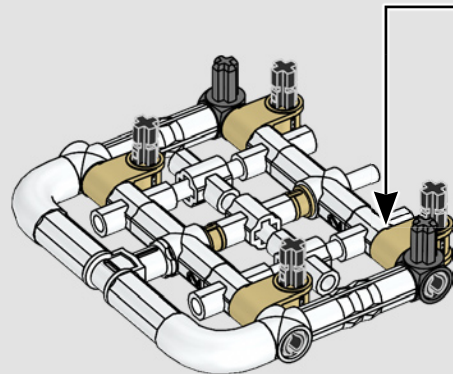
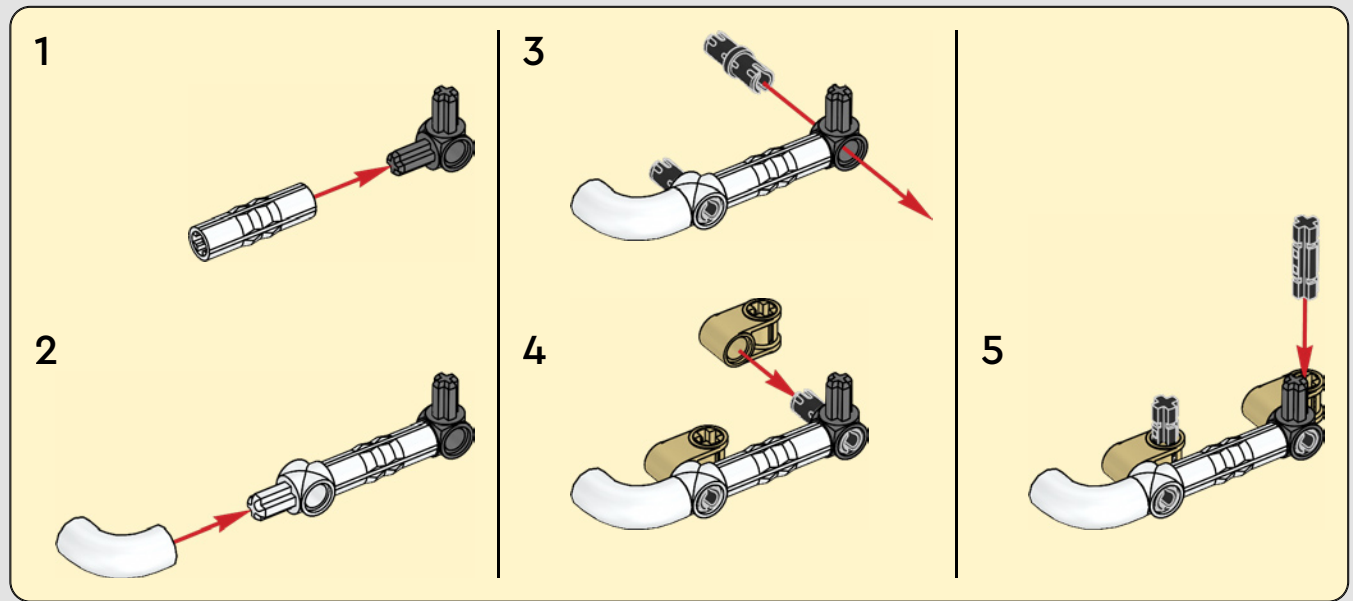


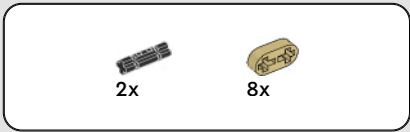
# 133



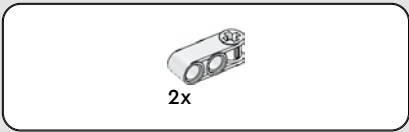
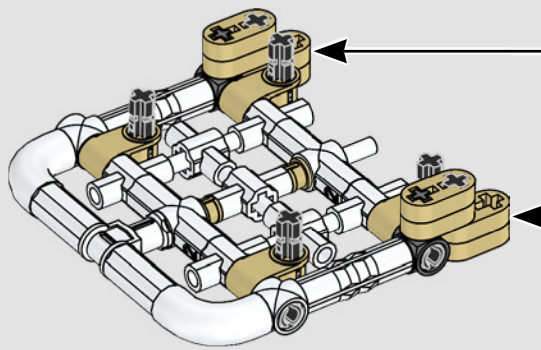
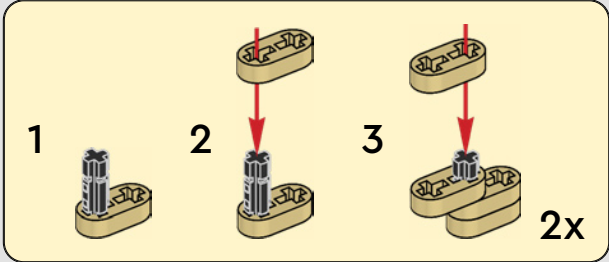


134

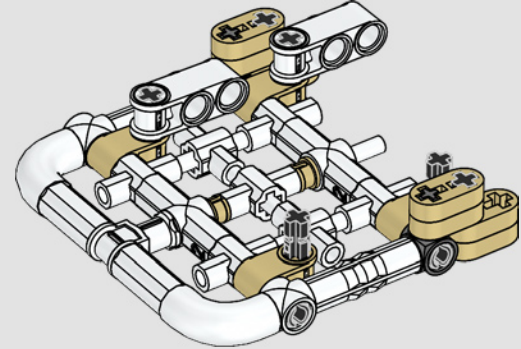




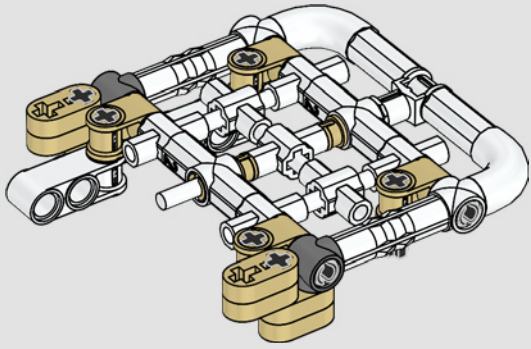
# 135



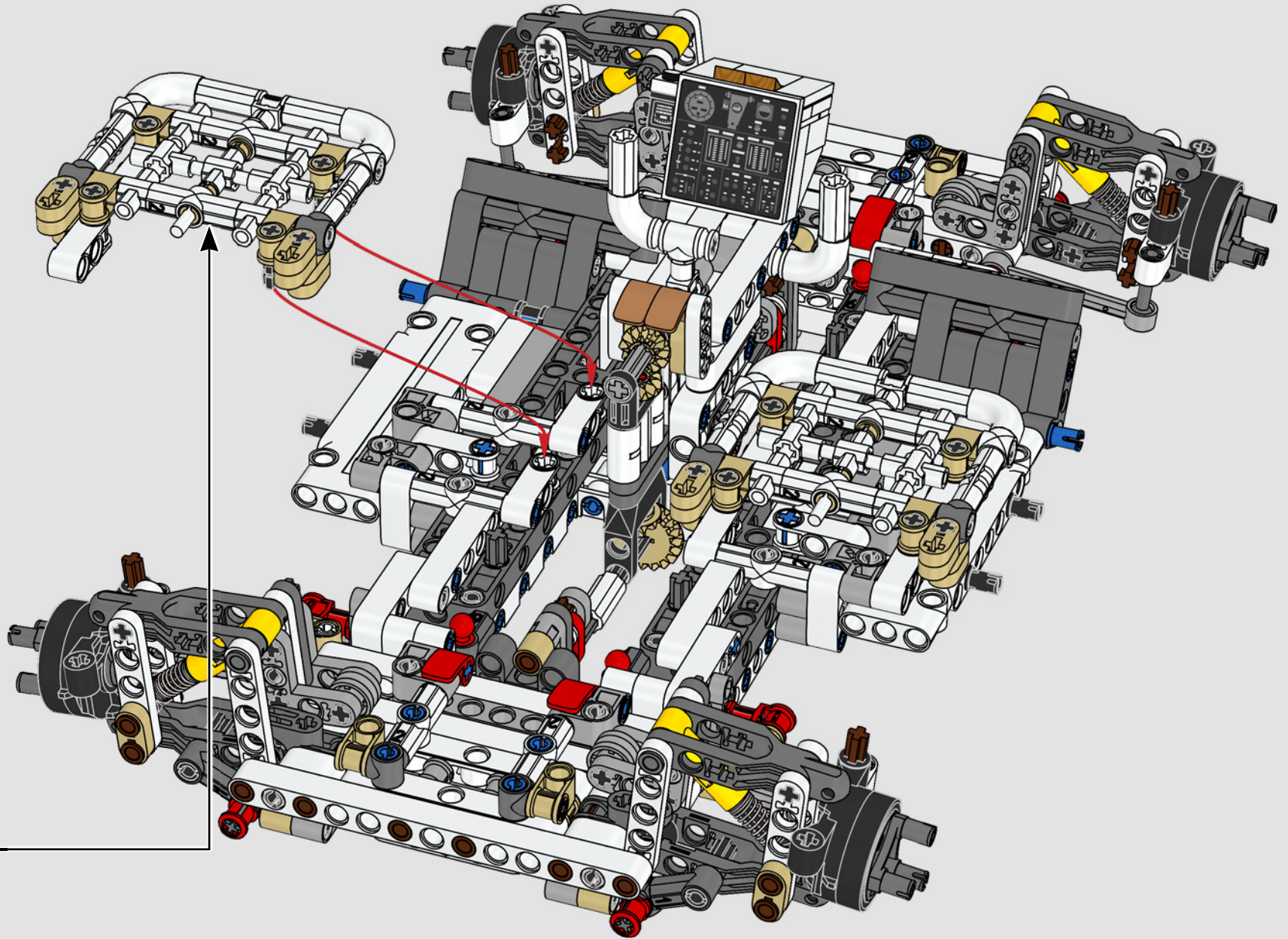
# 136

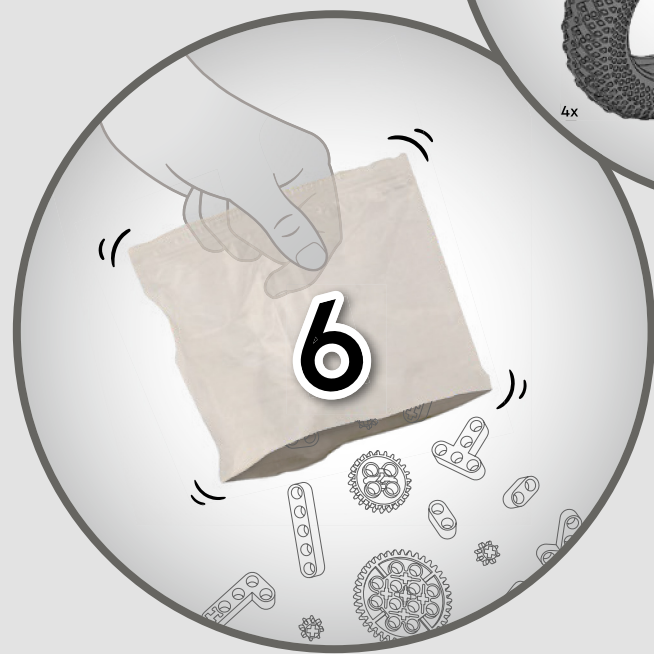
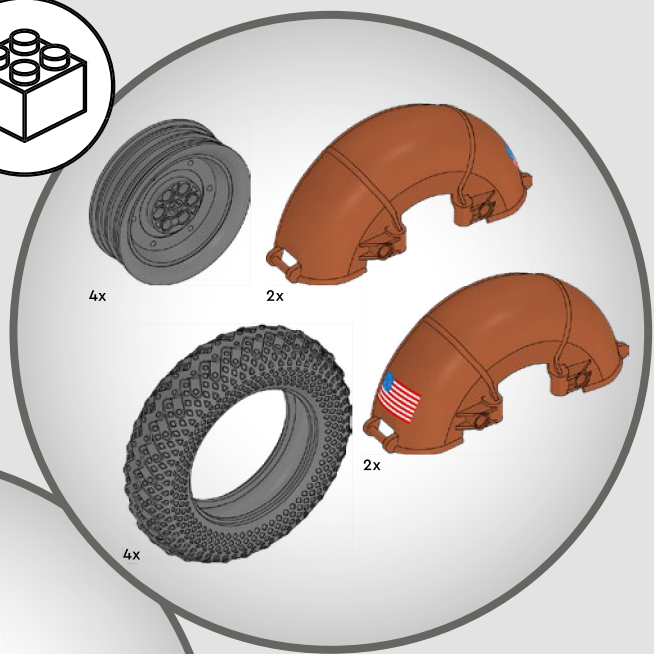
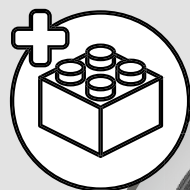


# 137

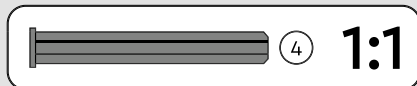
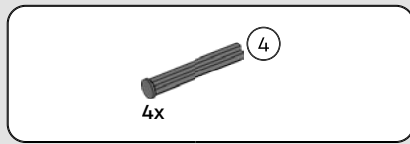


138

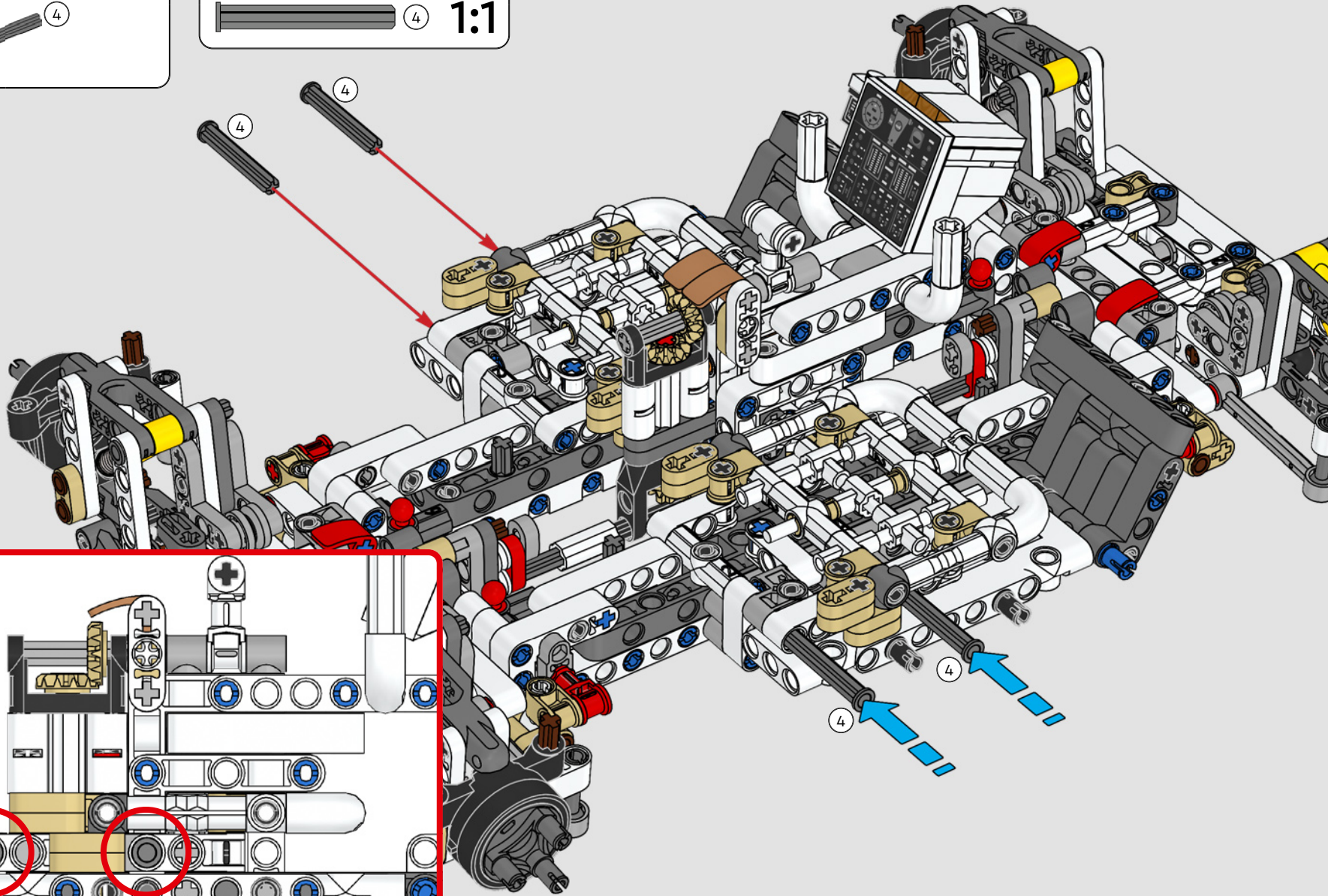
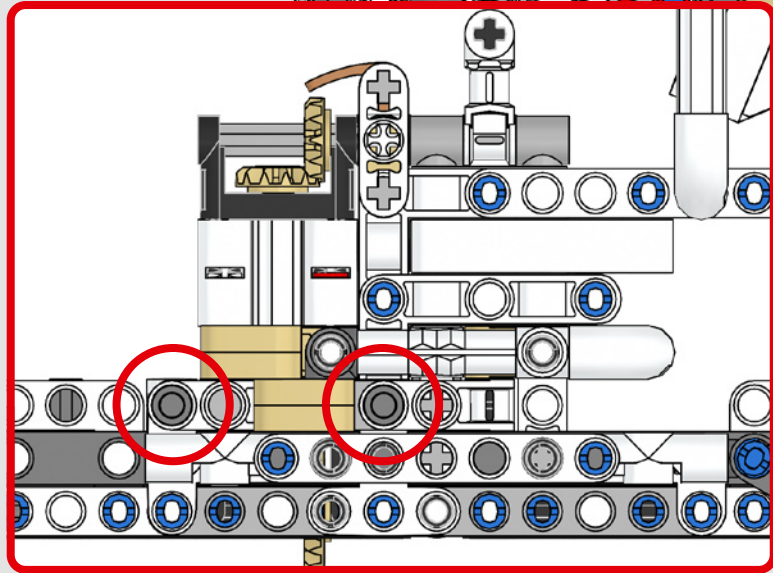




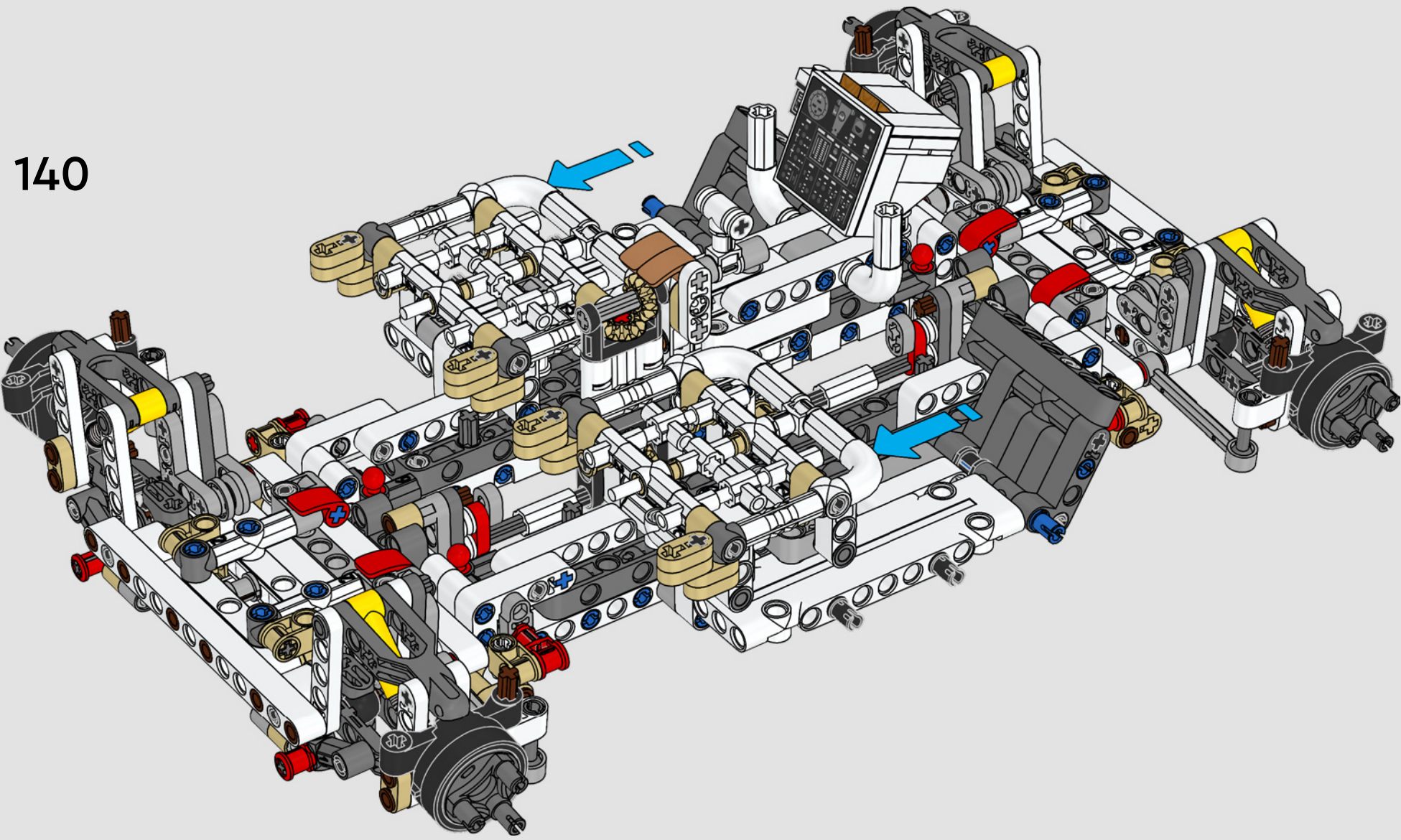


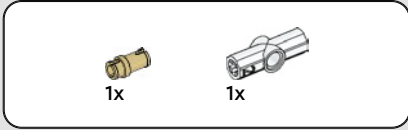
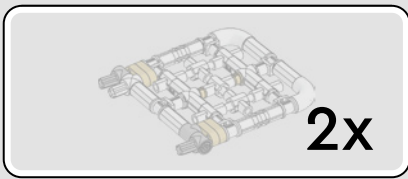


139

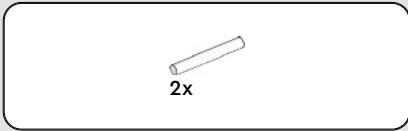
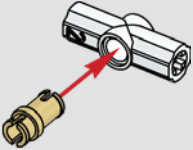


140

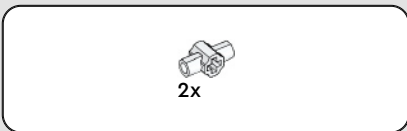
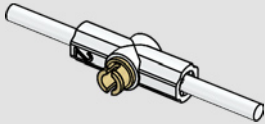




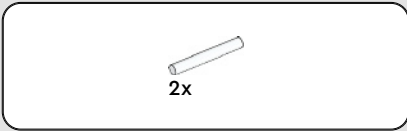
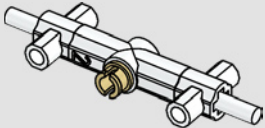
141



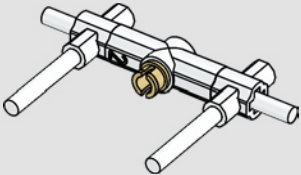
142

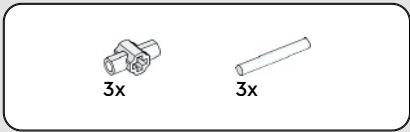


143

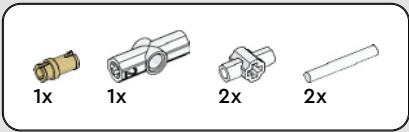
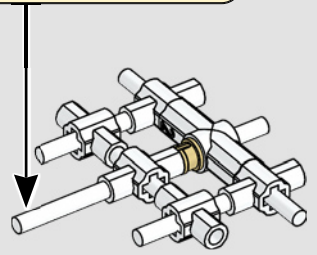
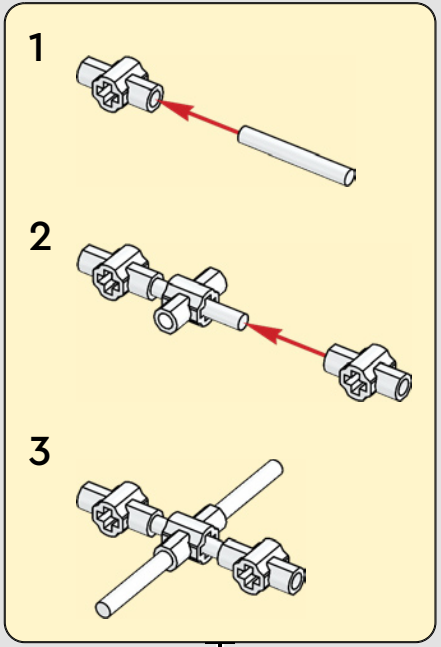


144

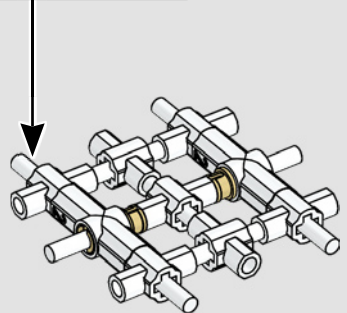
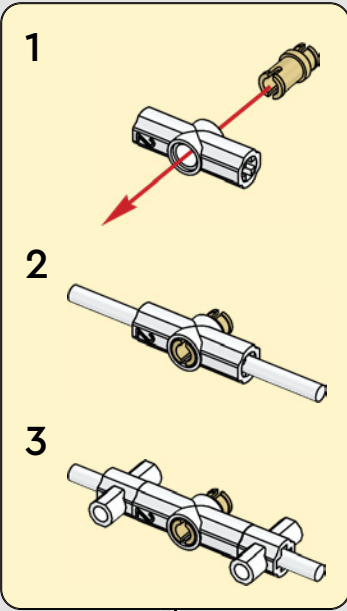


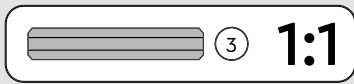
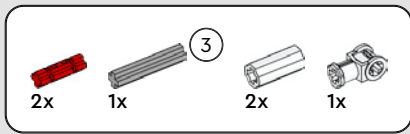


# 145

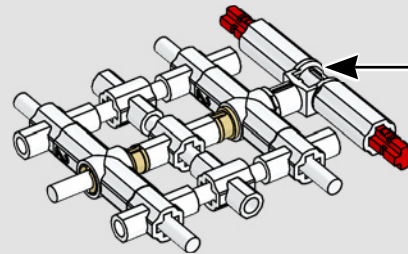
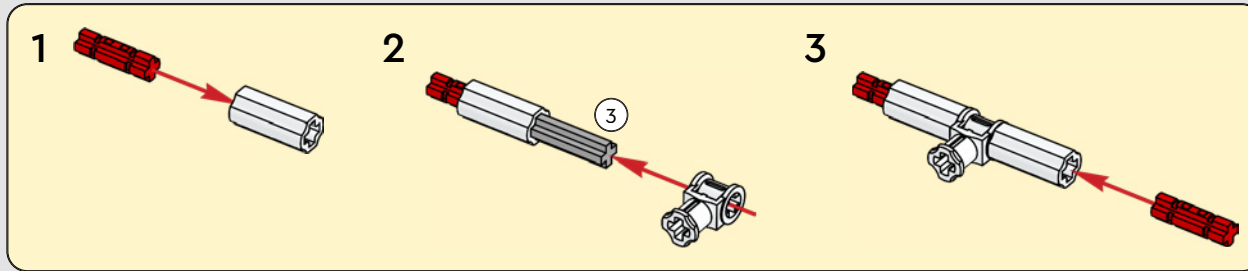


# 146

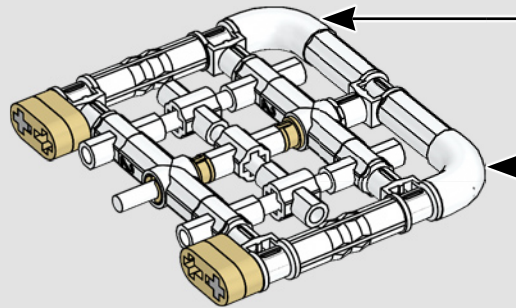
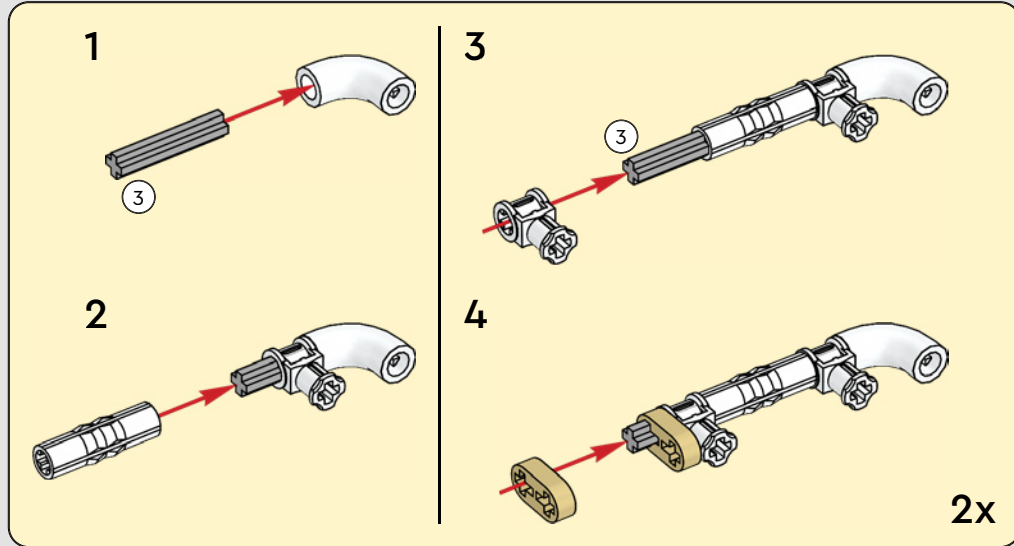
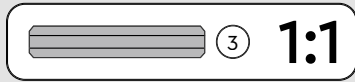
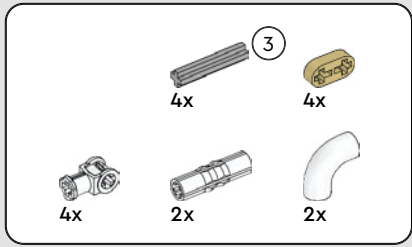


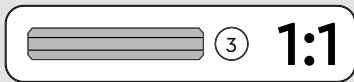
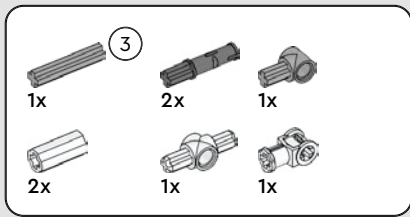


147

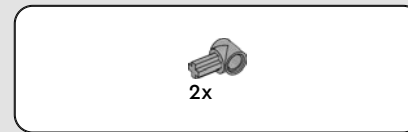
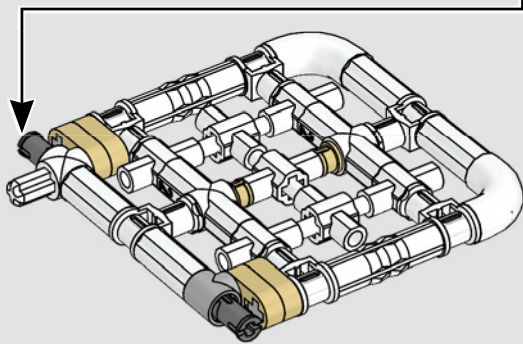
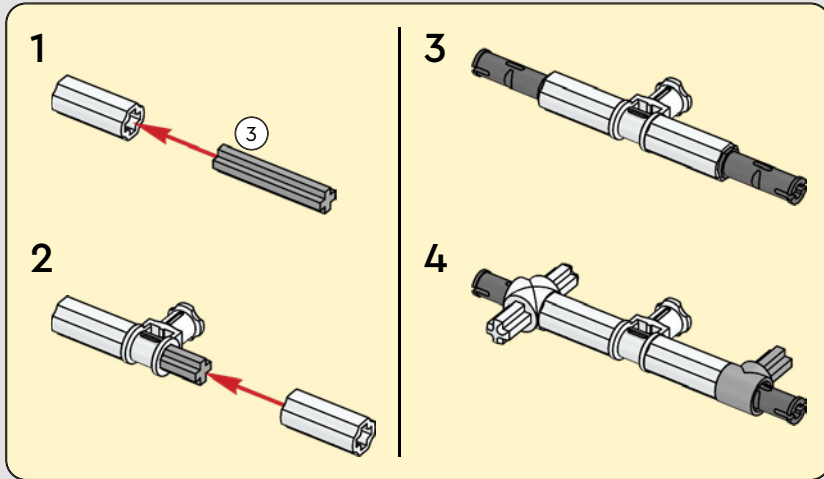


148

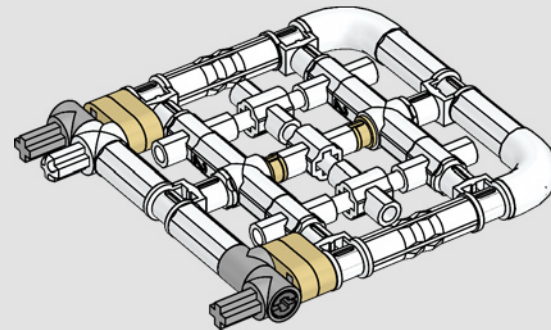




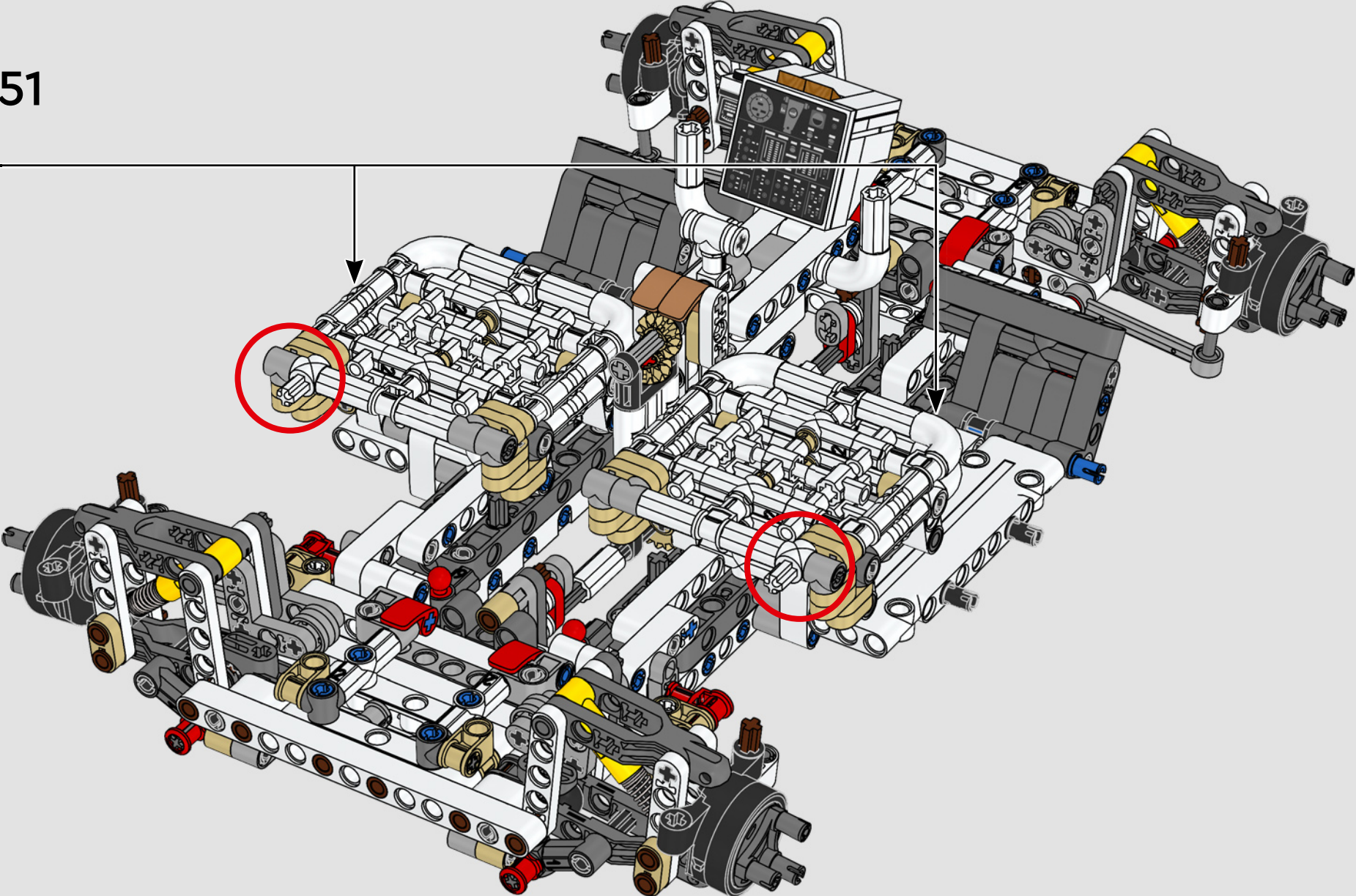
149



150



2x





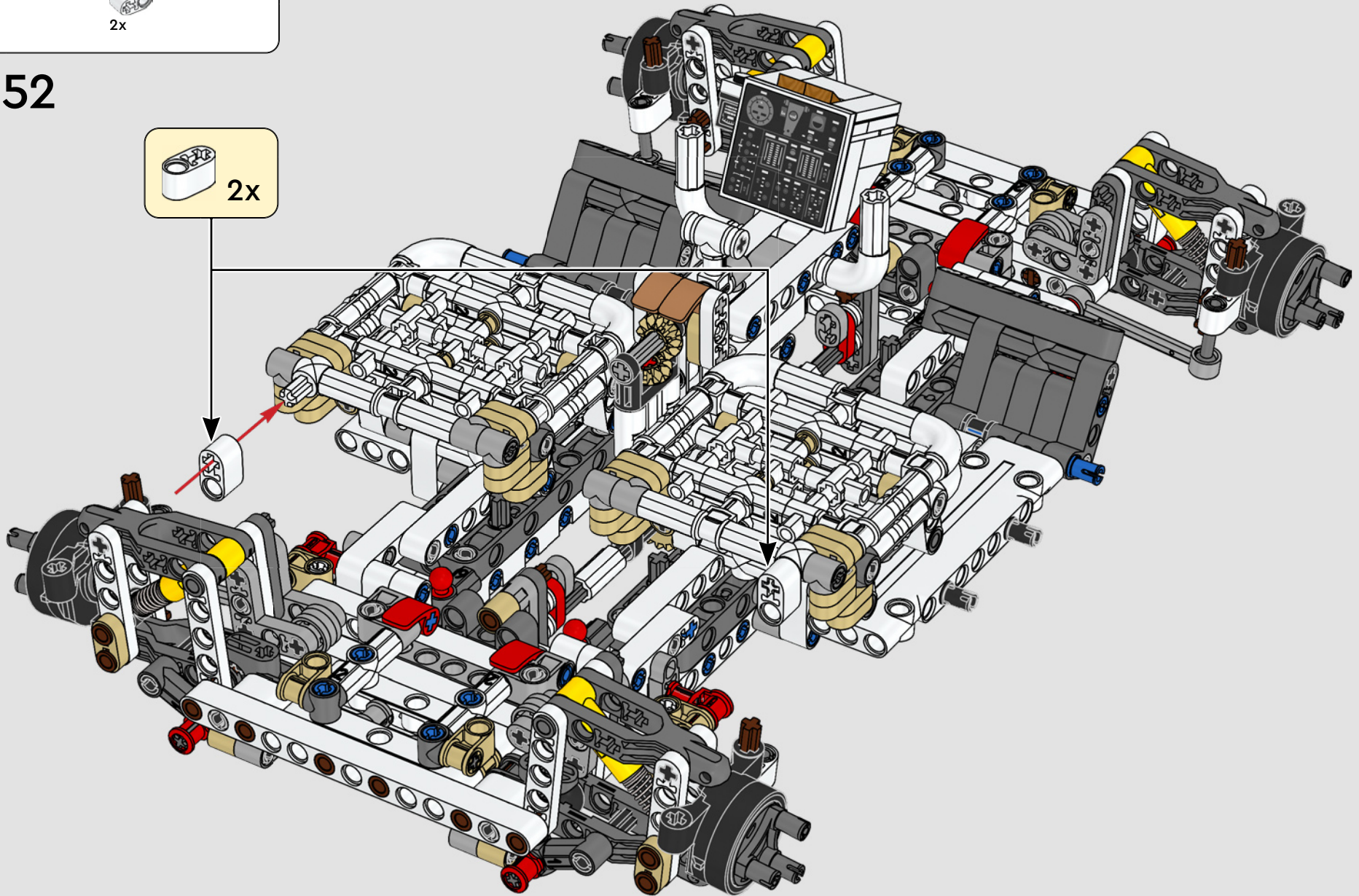


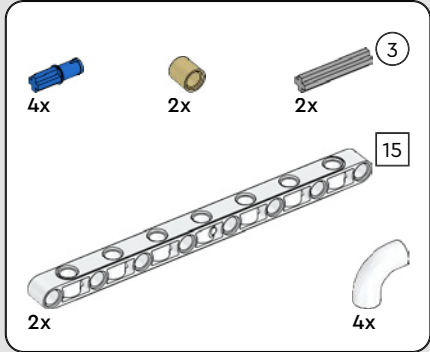
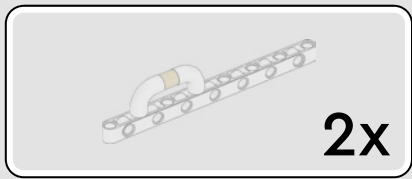
2x

152

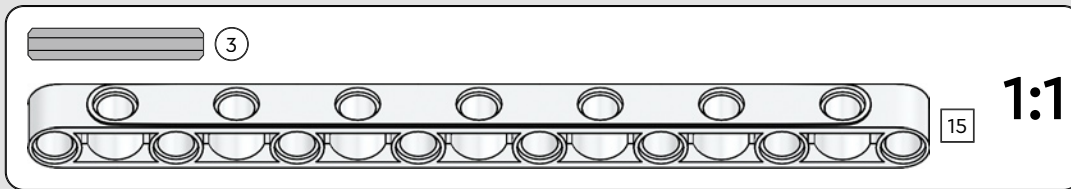
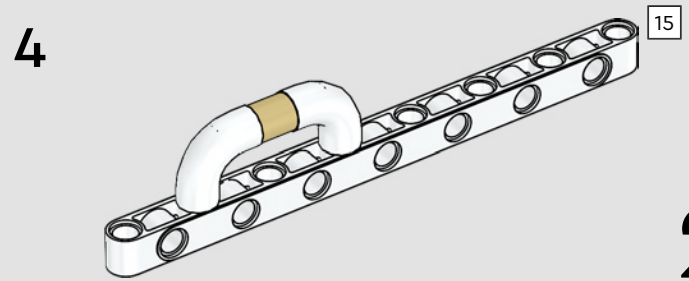
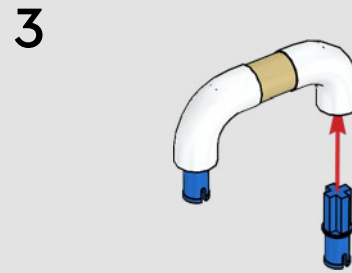
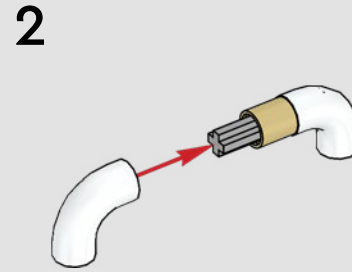
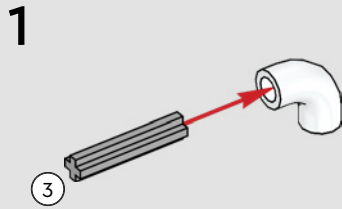


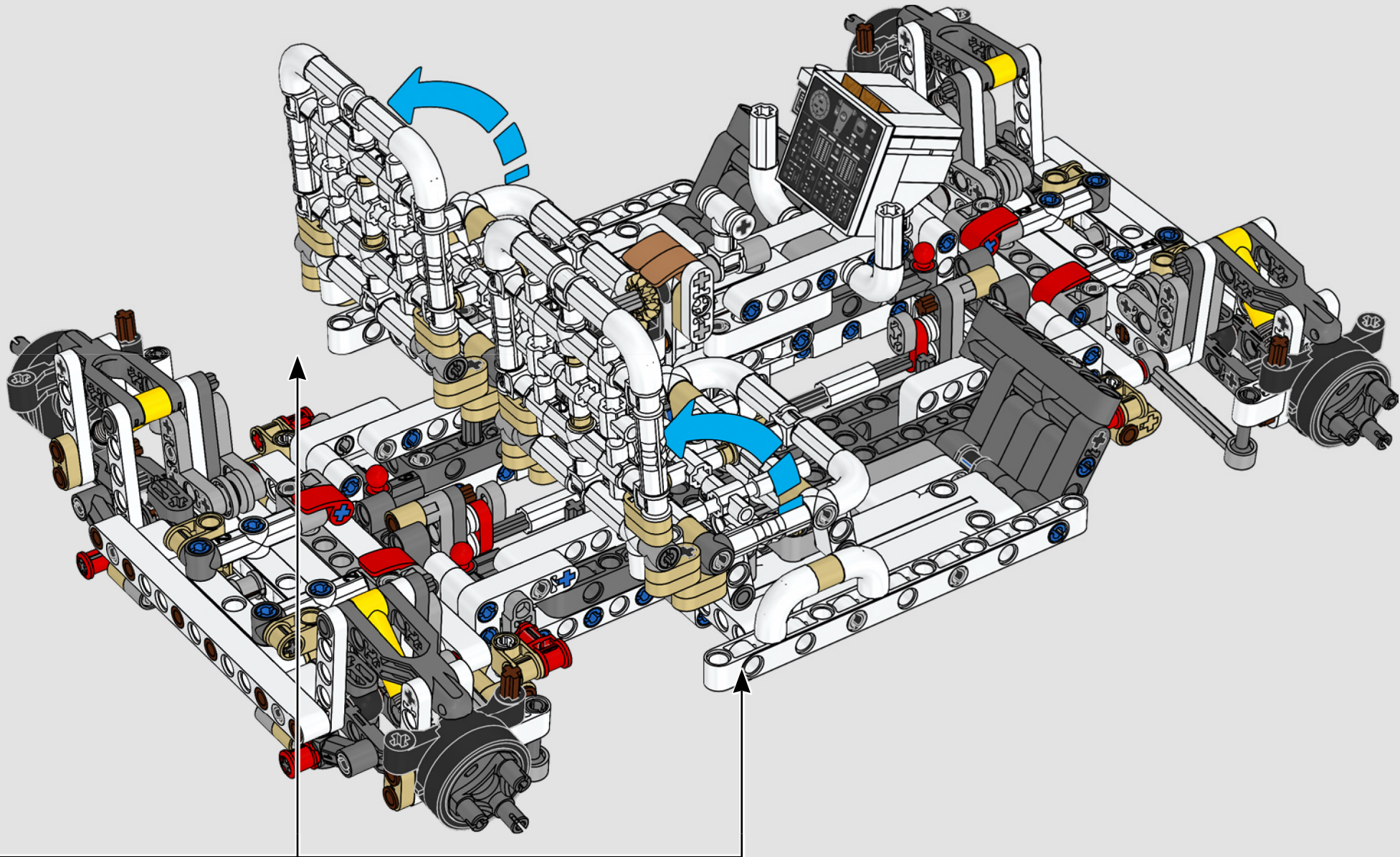
2x





153





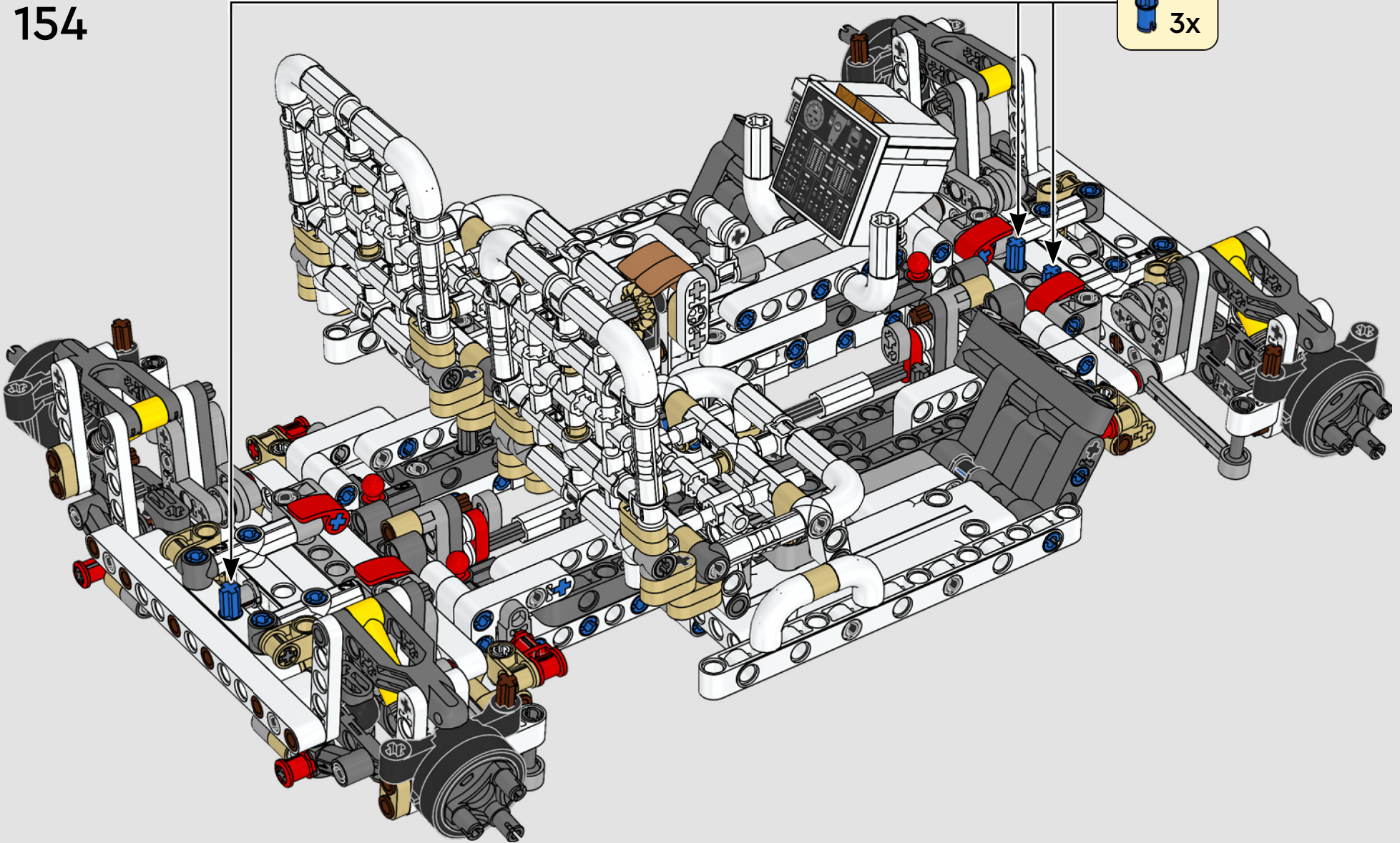


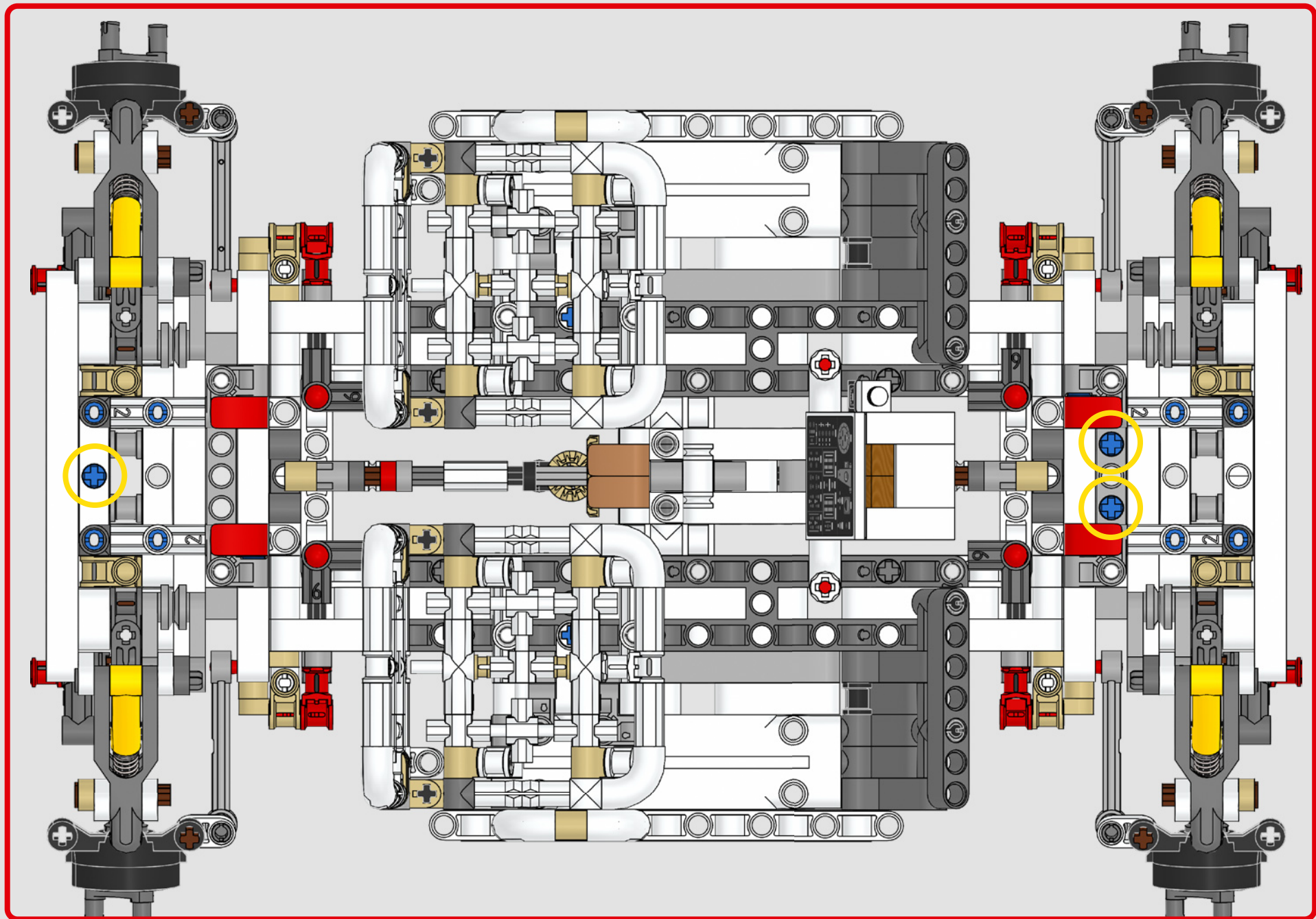
3x

154

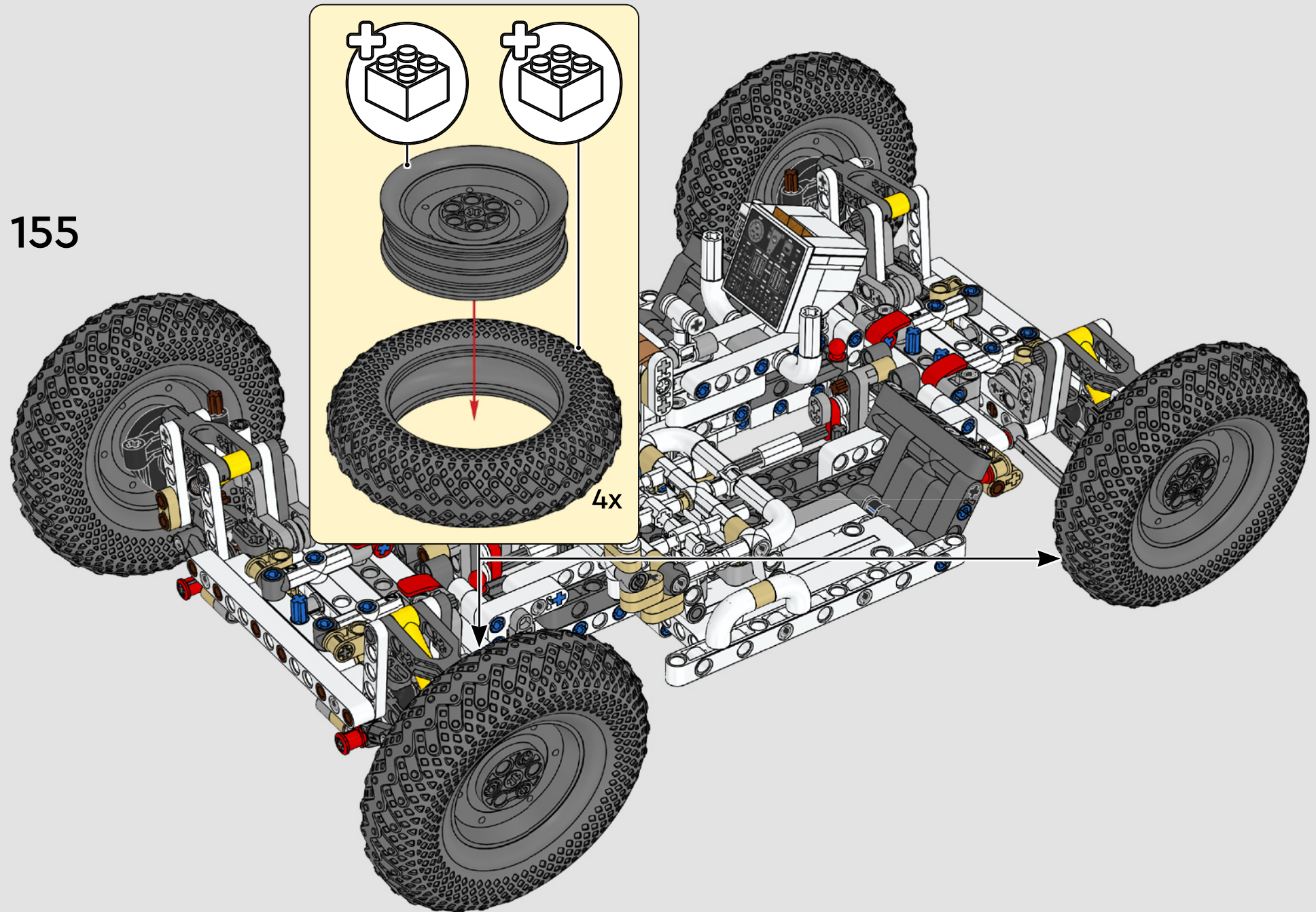


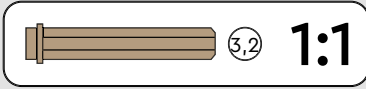
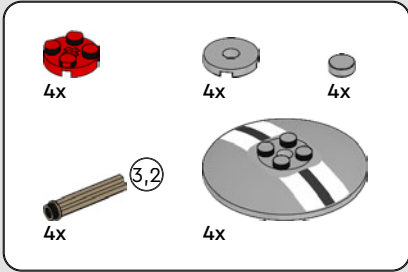
3x





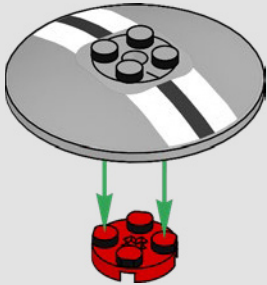
155



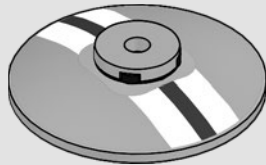


156

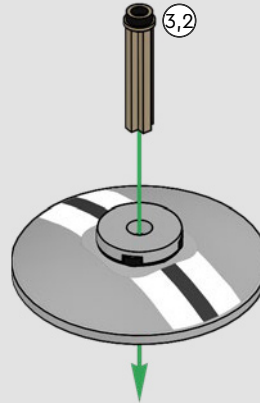
1



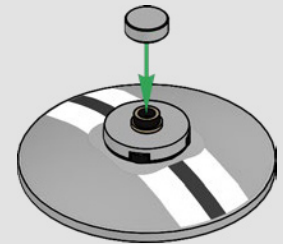
2



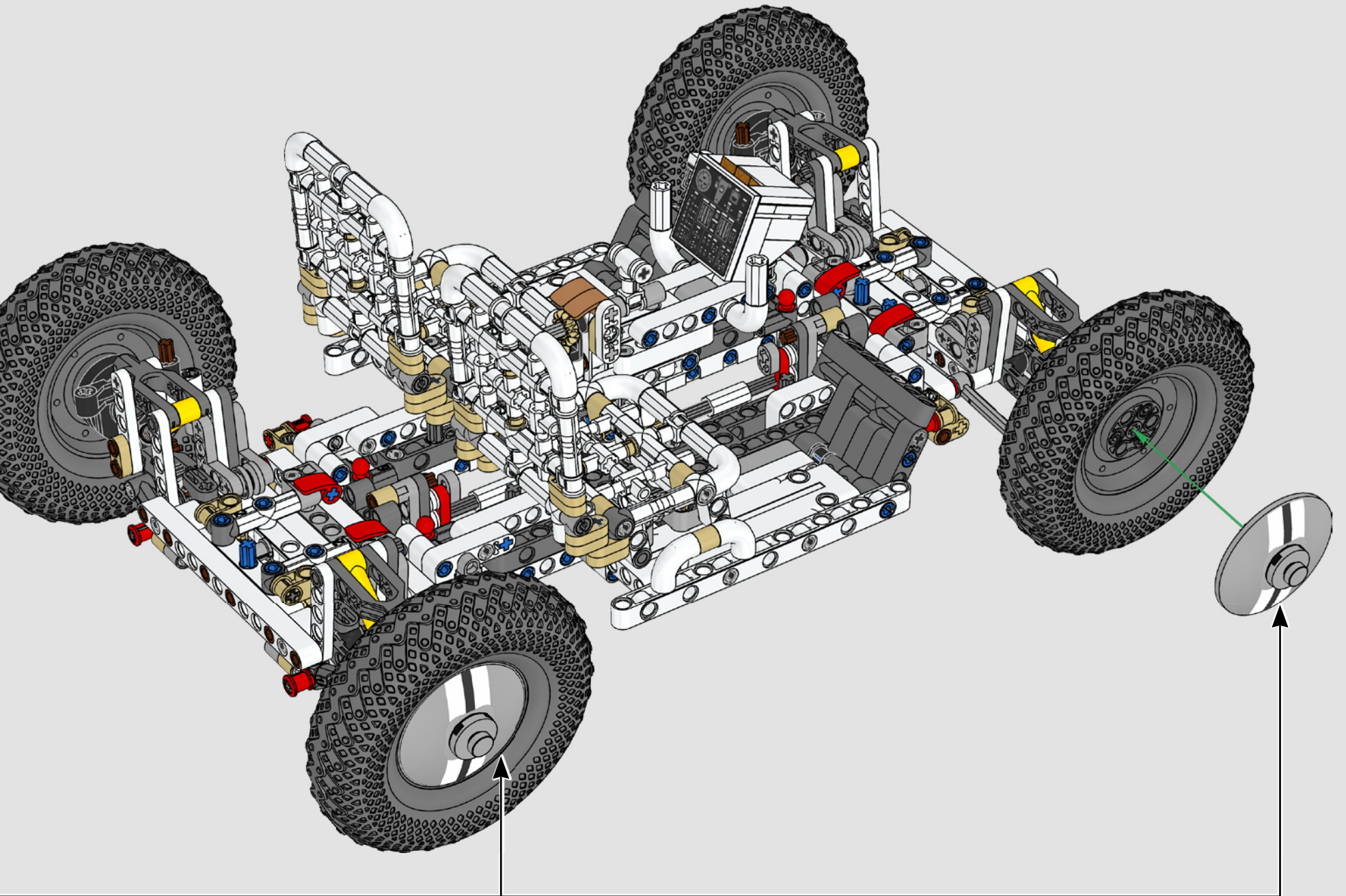
3



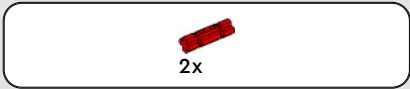
4



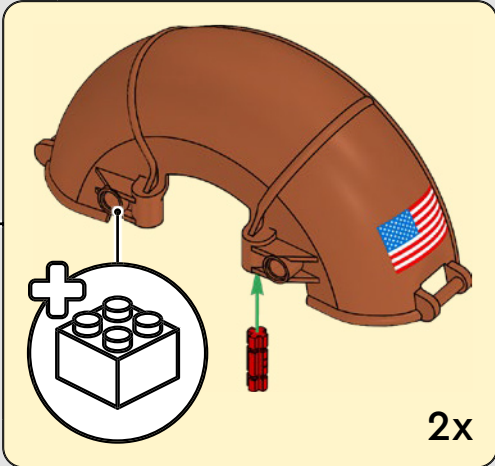
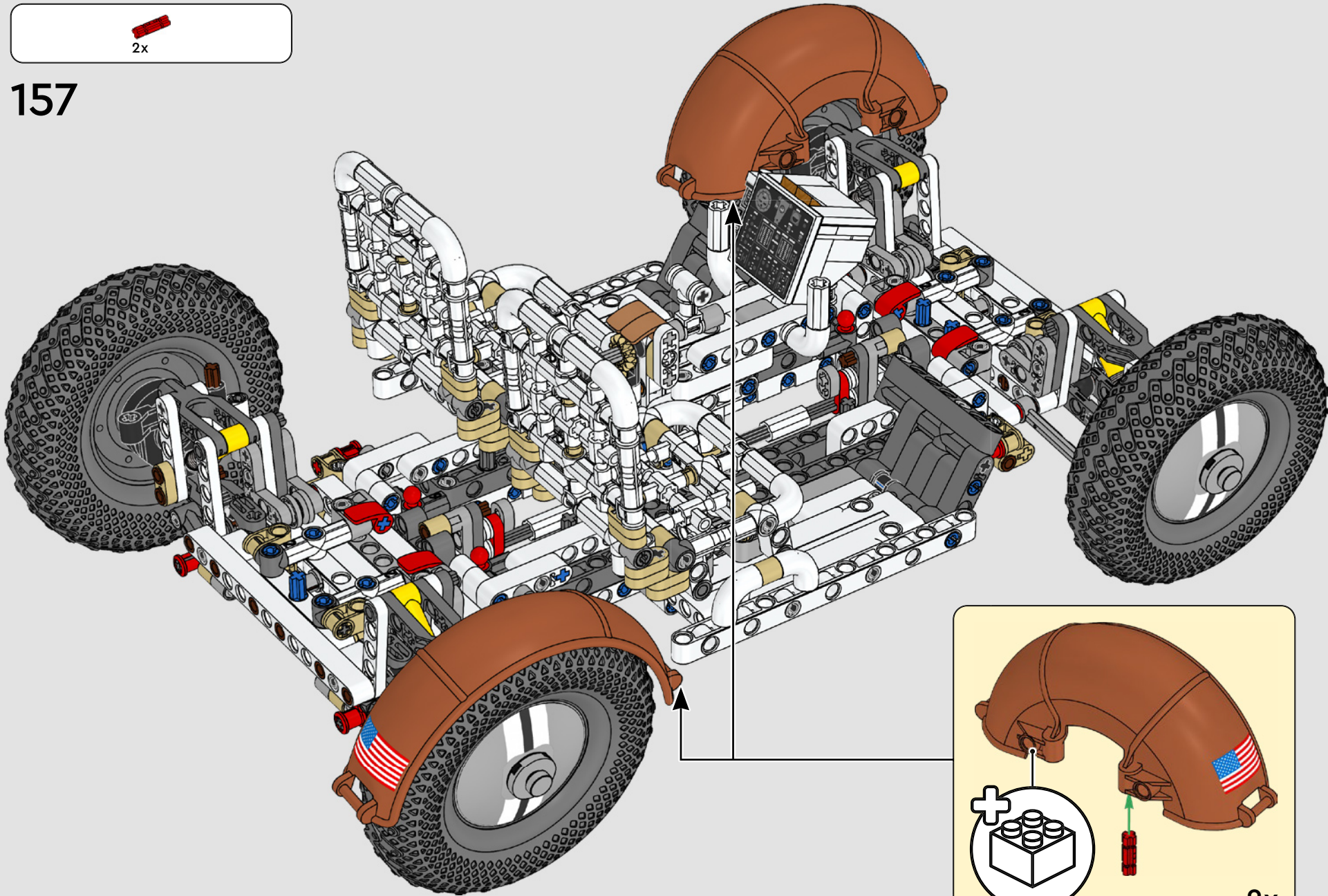
4x





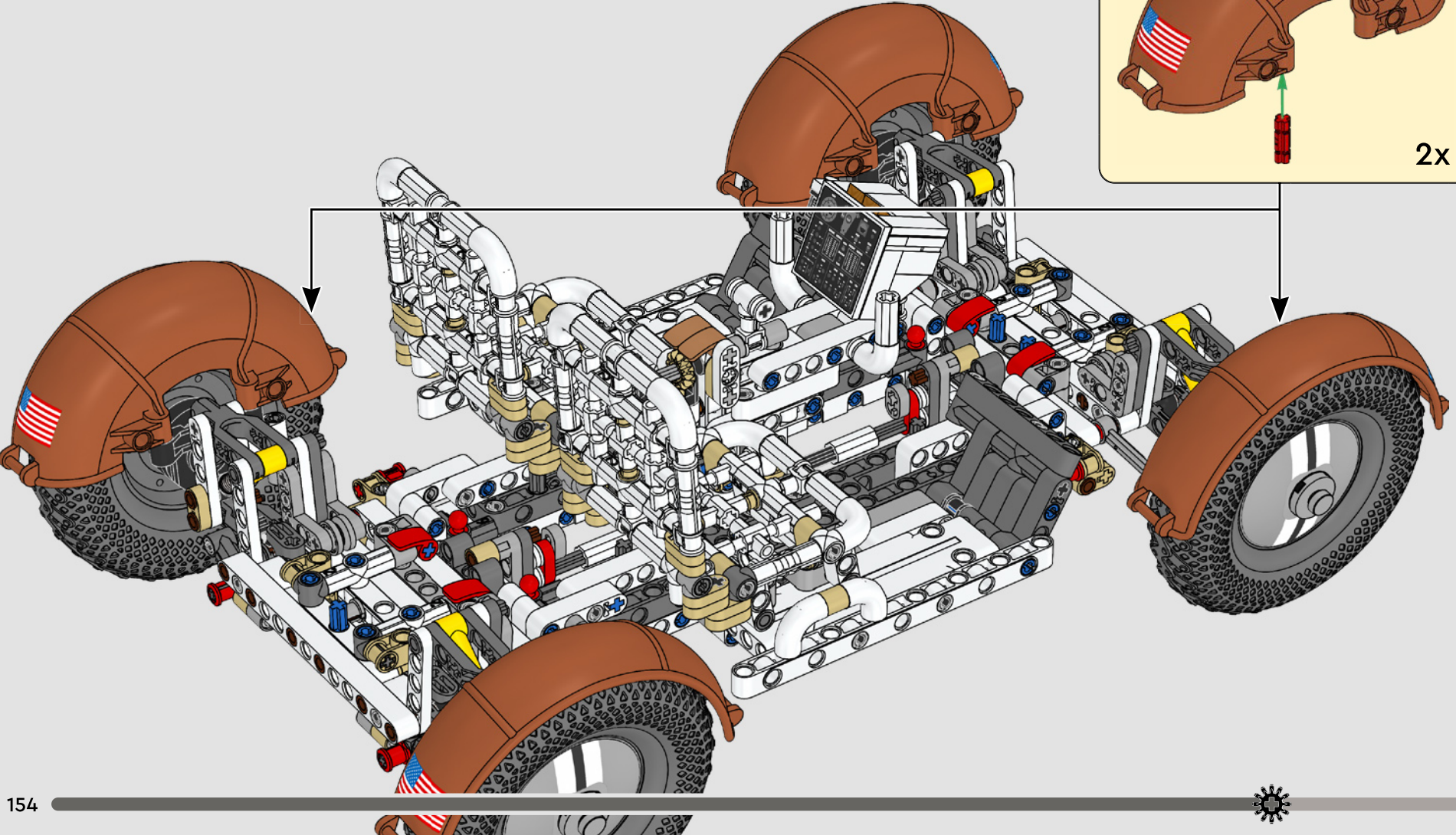
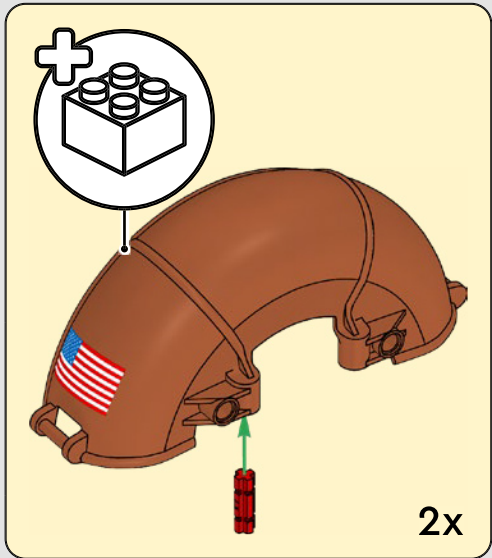


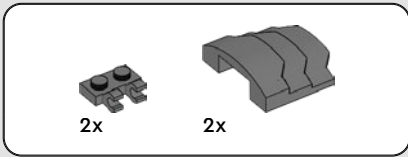
157



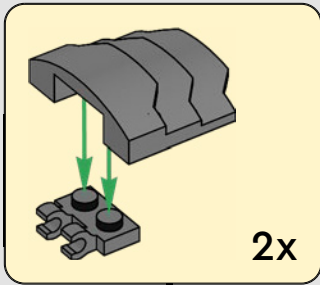
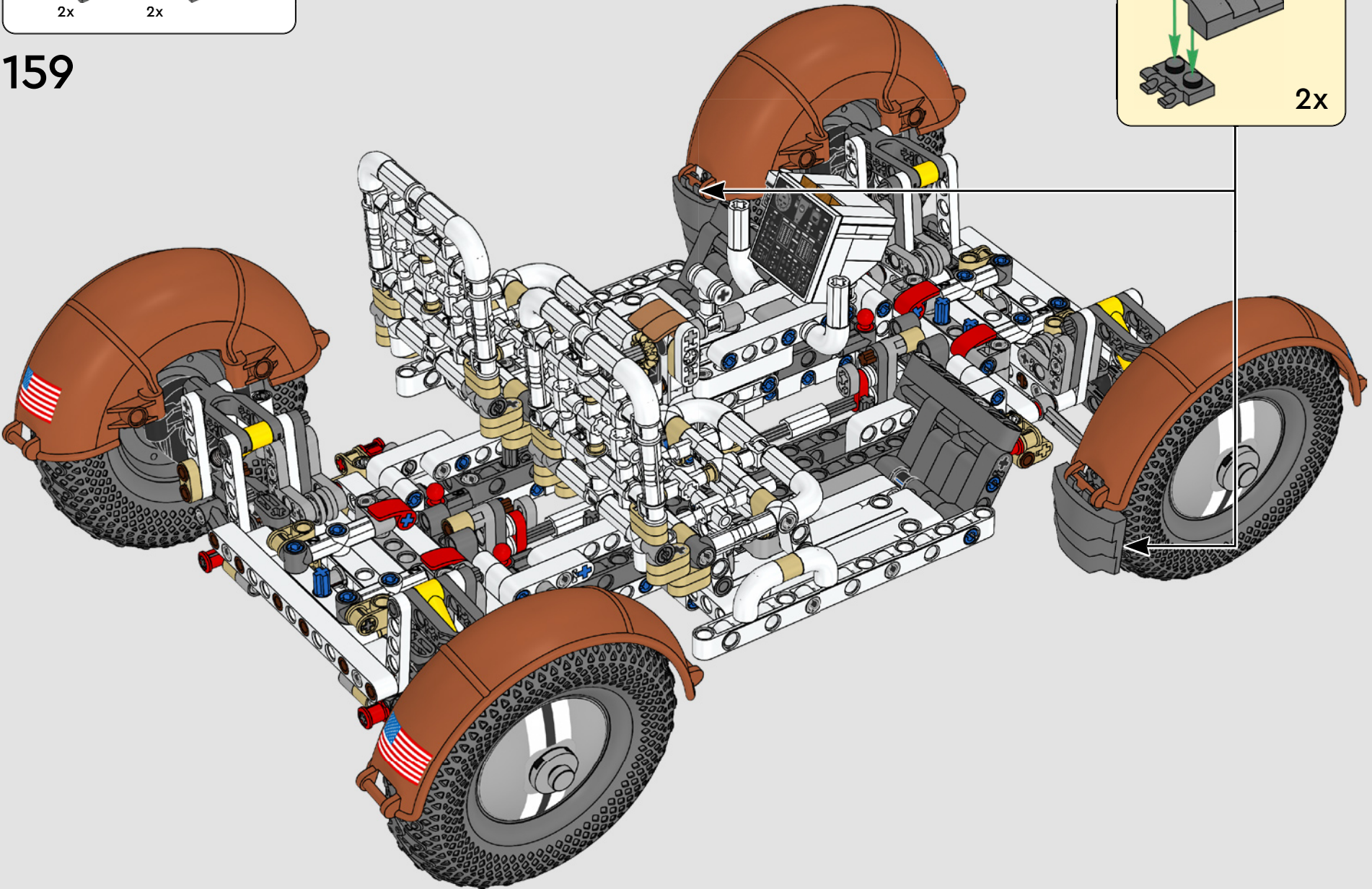
2x

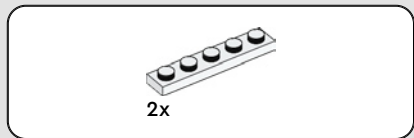
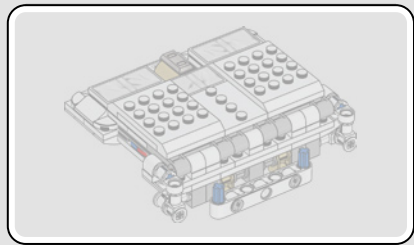
158





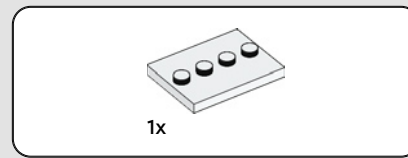
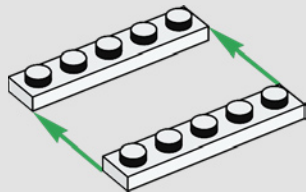
159





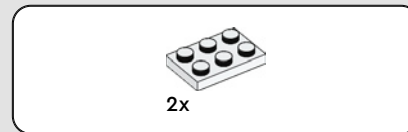
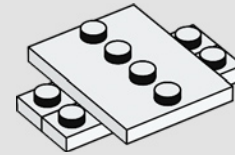
2x

160



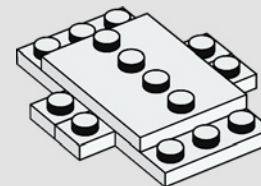
1x

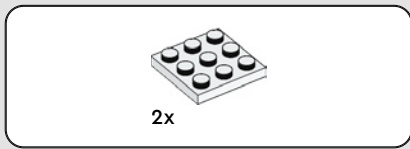
161



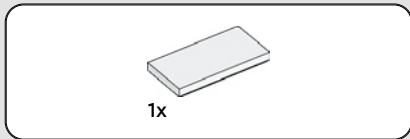
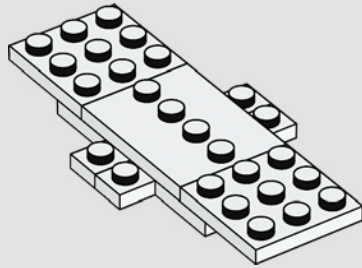
2x

162

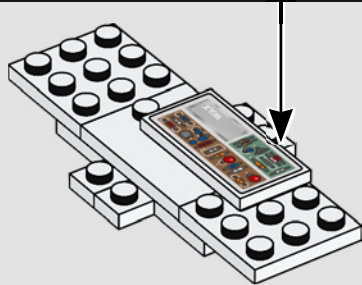
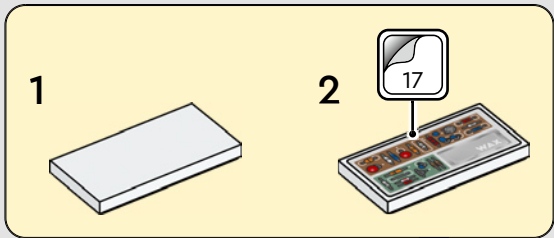




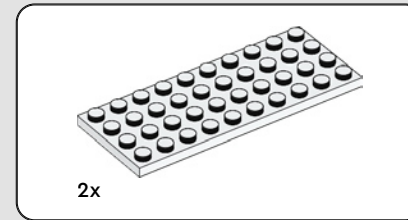
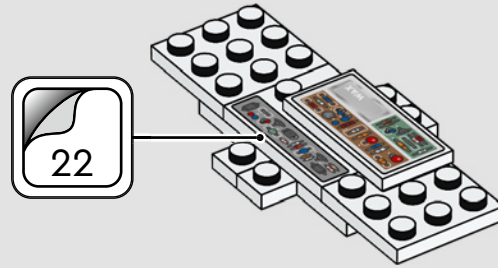
163



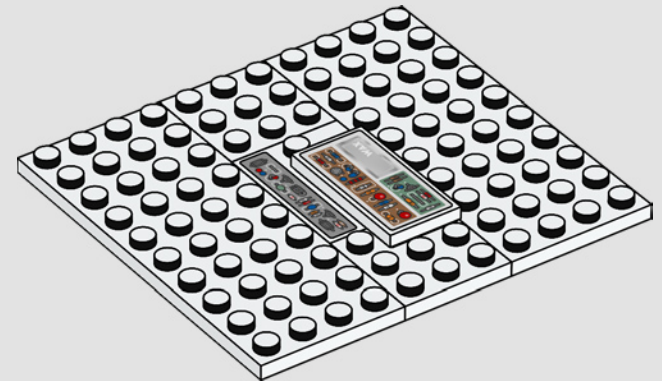
164



165



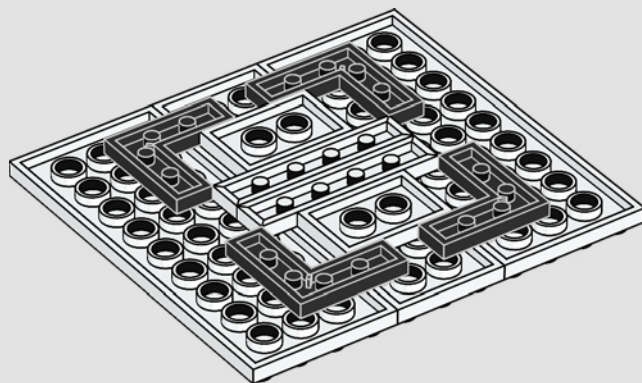
166





4x

# 167

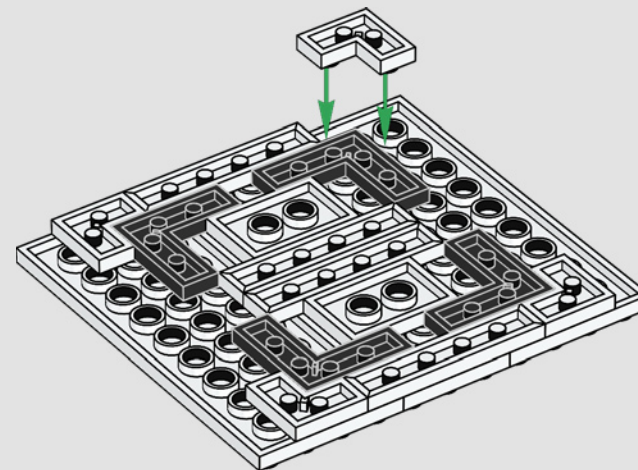


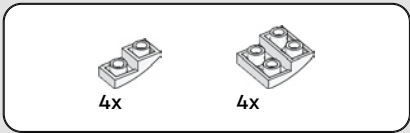
4x



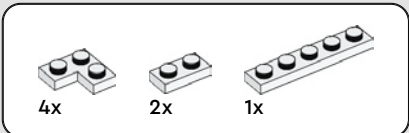
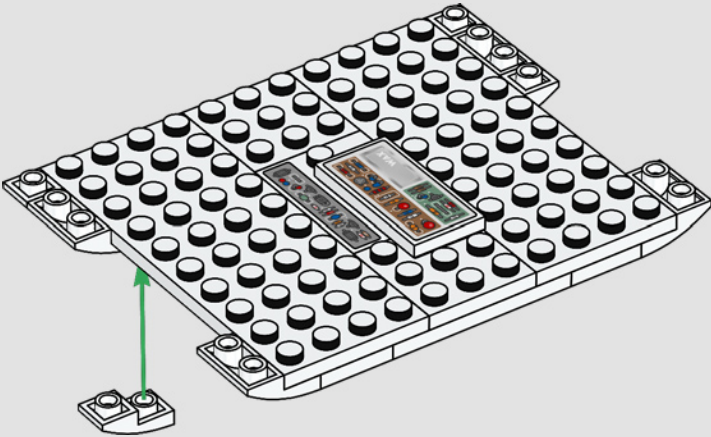
2x

# 168

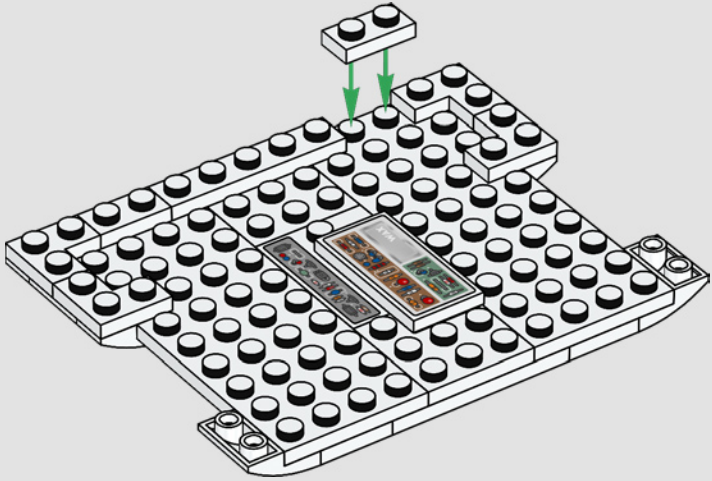


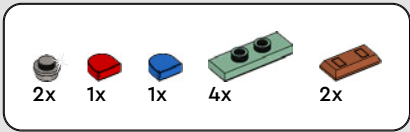


169

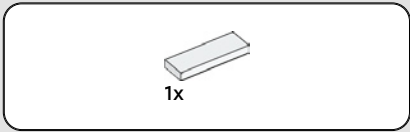
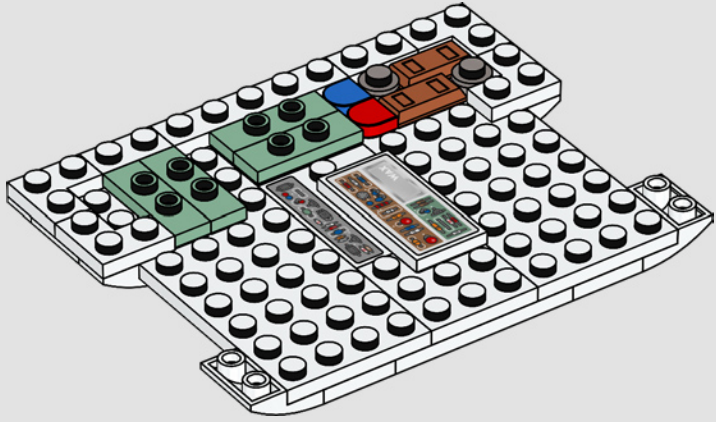


170

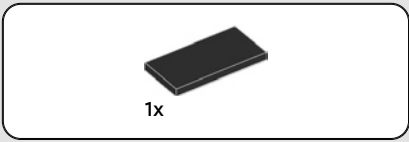
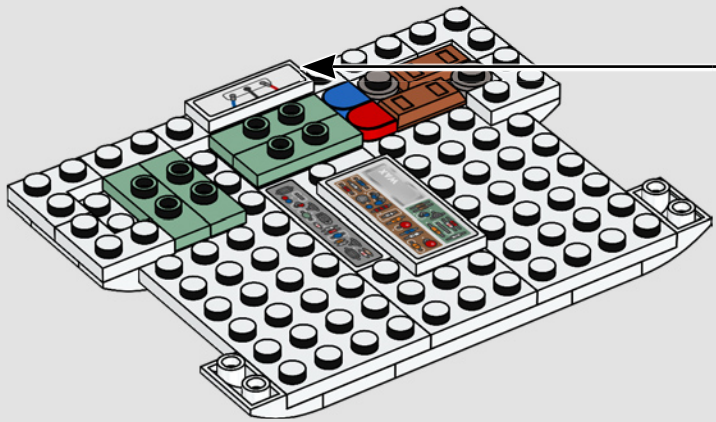
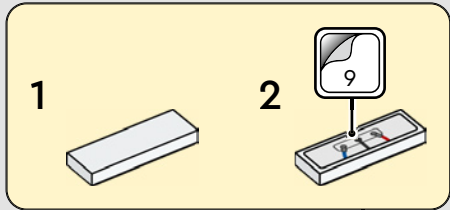




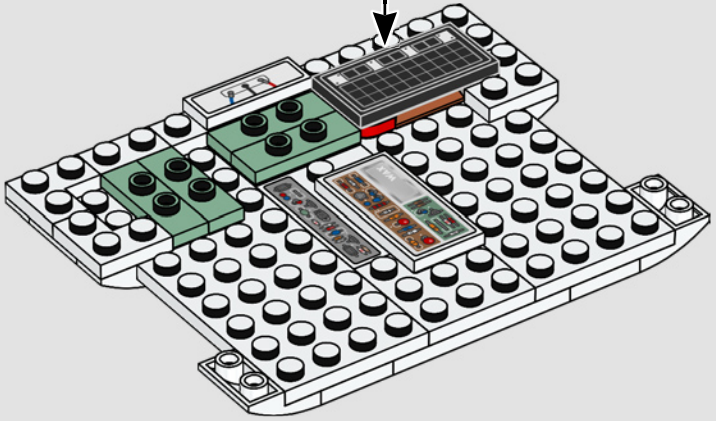
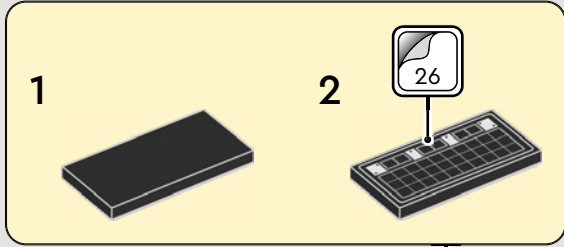
171



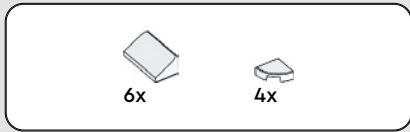
172



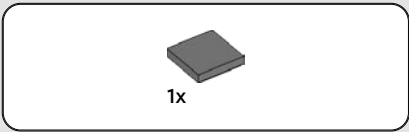
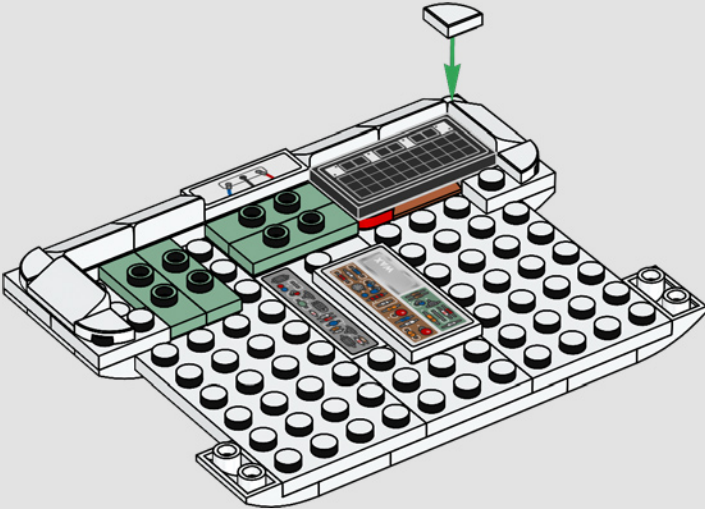
173



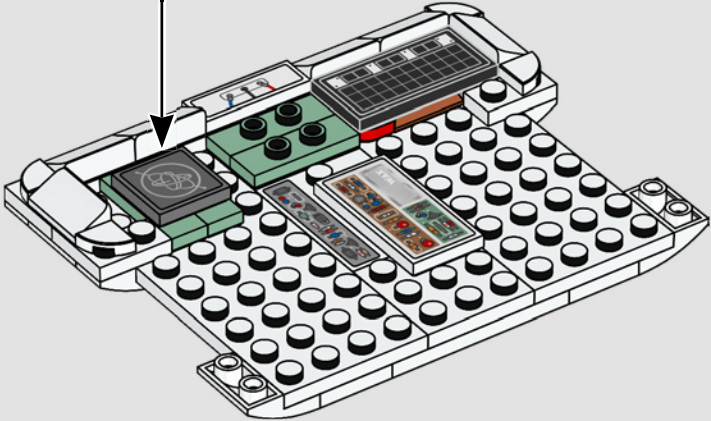
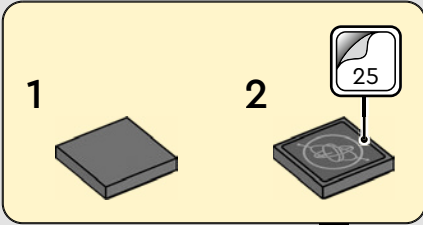


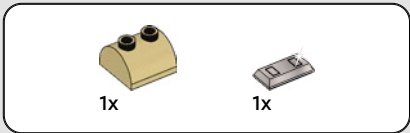


174

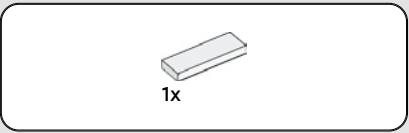
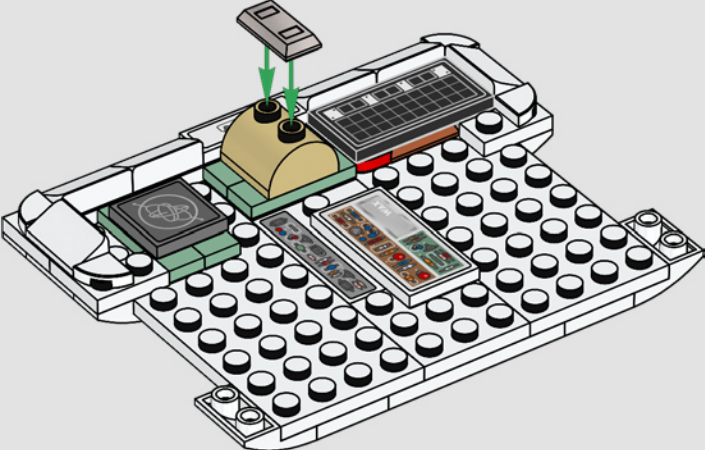


175

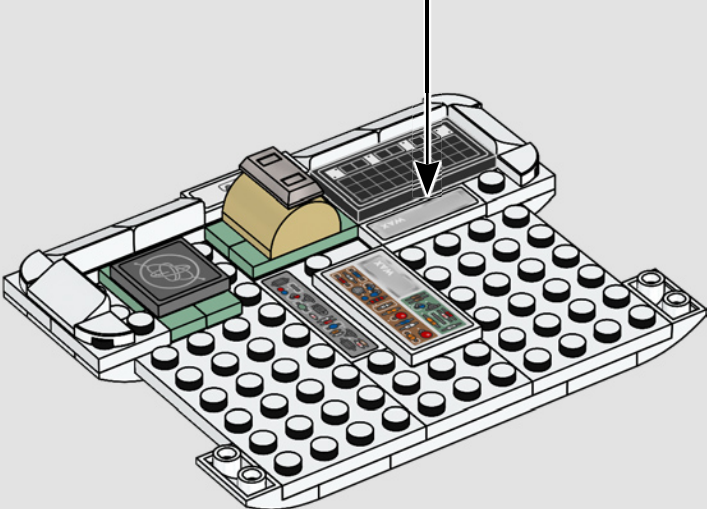
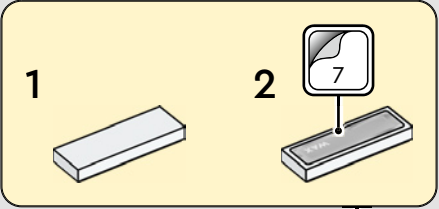


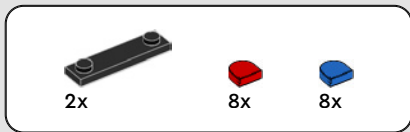


176

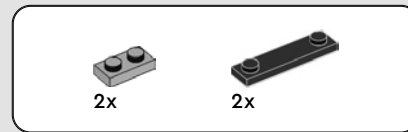
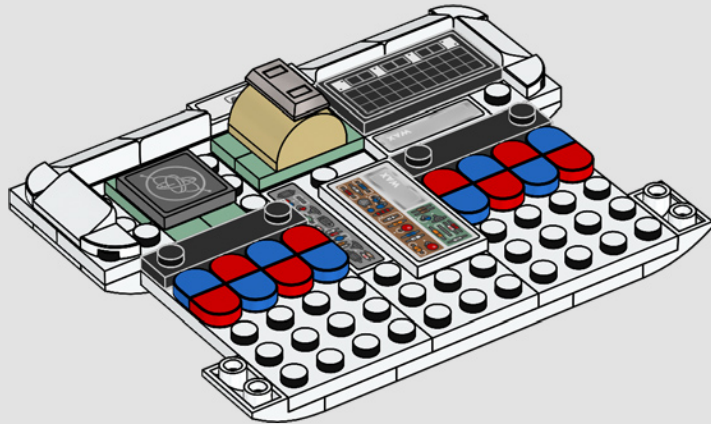


177

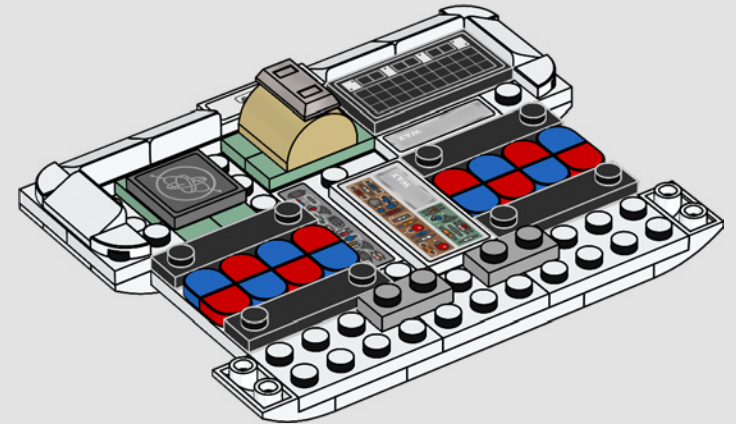


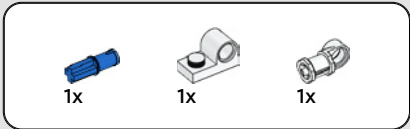


178

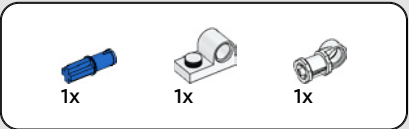
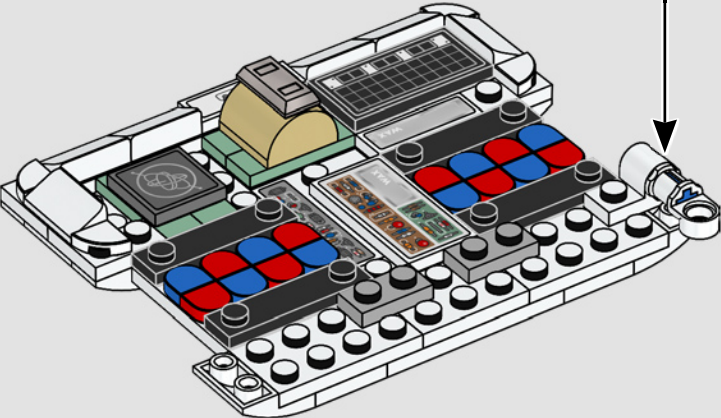
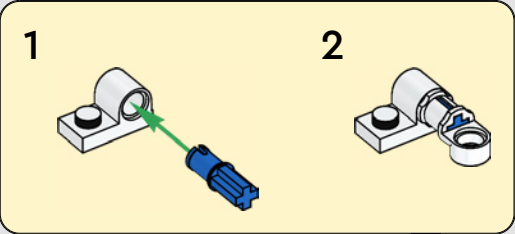


179

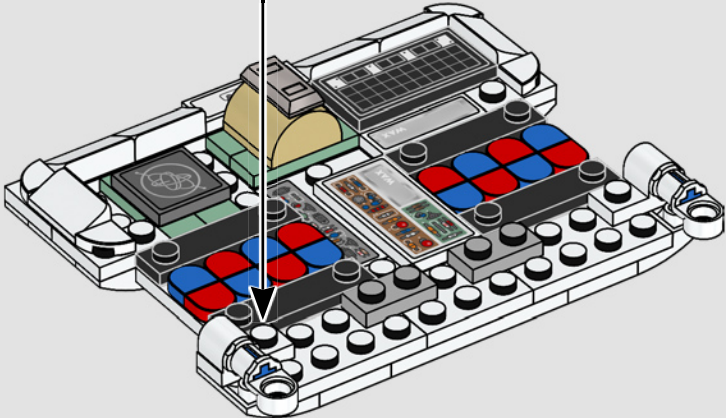
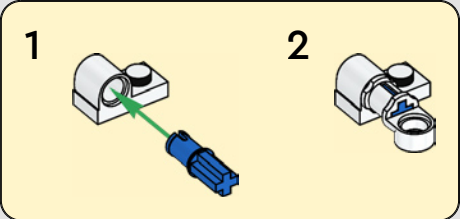


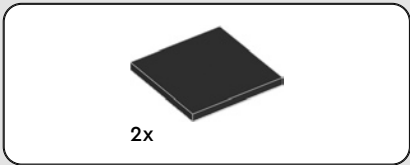


# 180

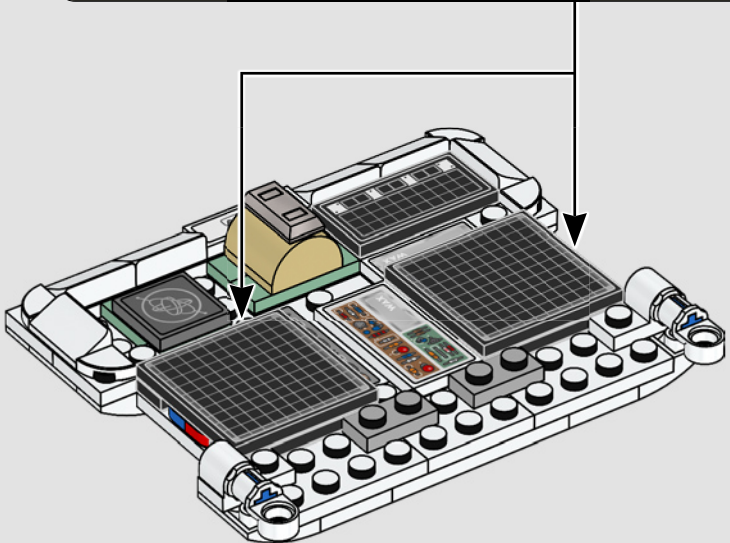
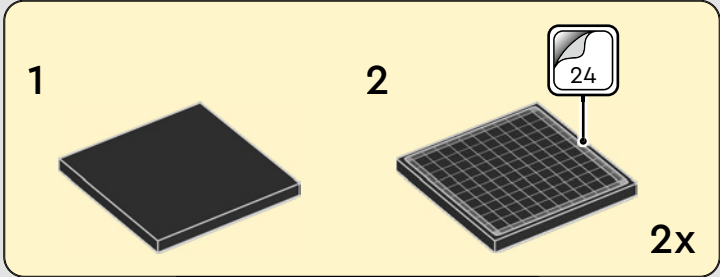


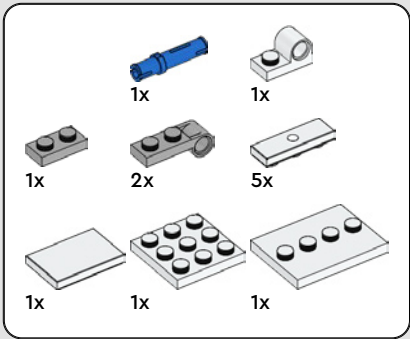
# 181



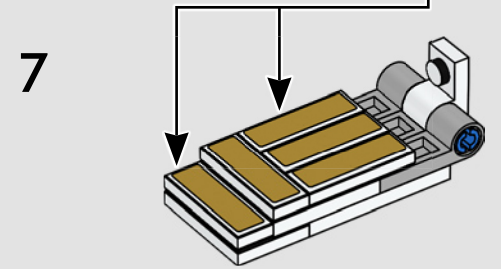
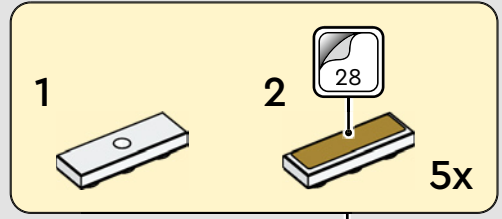
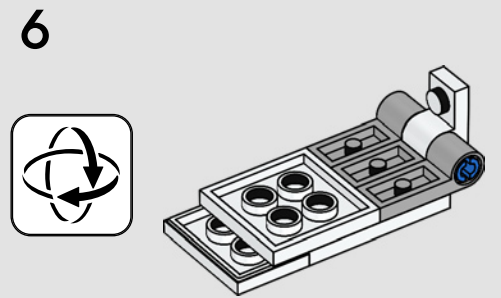
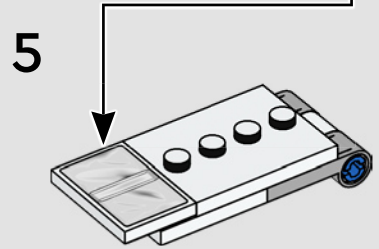
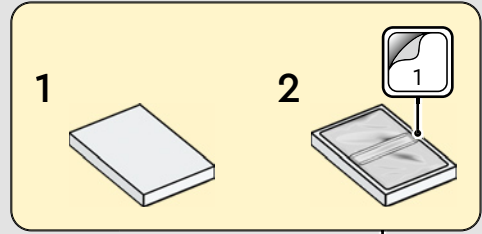
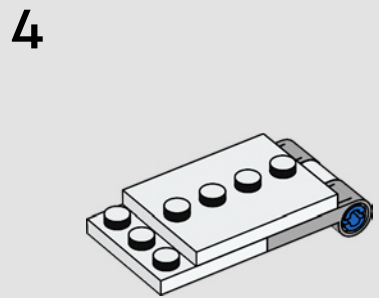
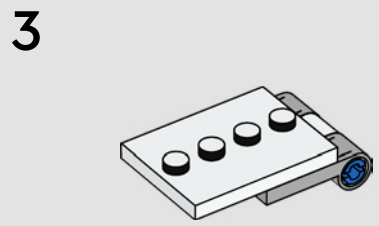
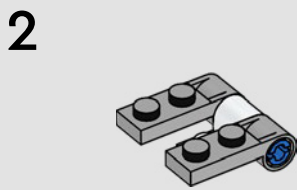
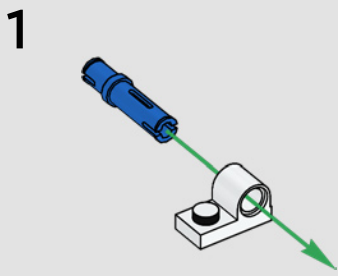


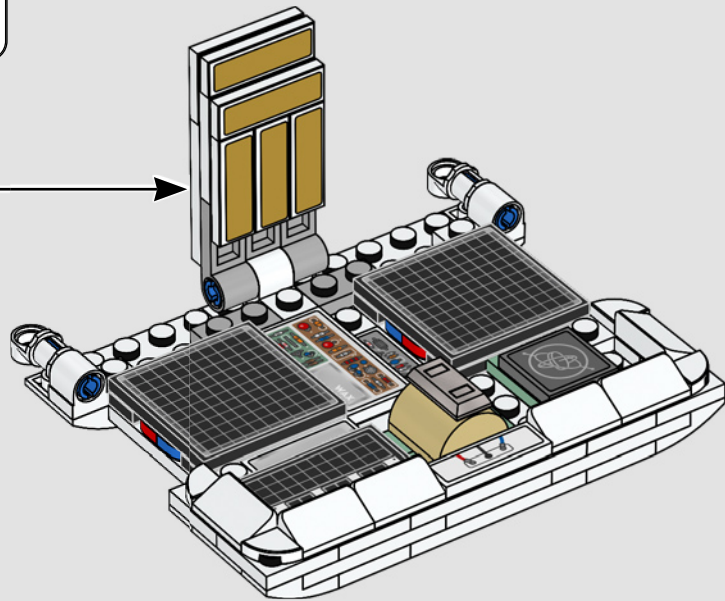
182

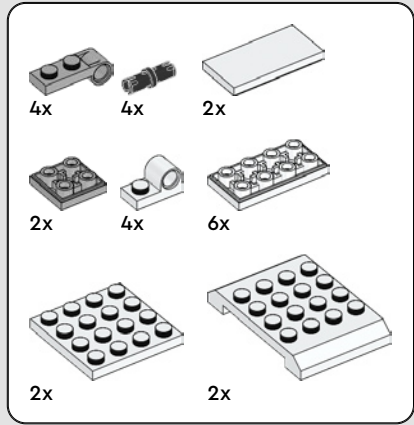
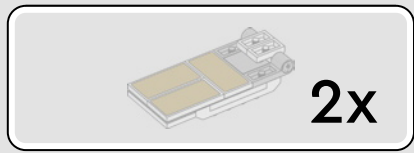




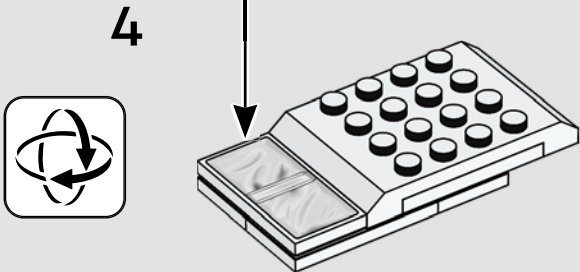
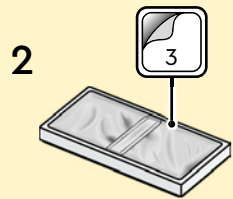
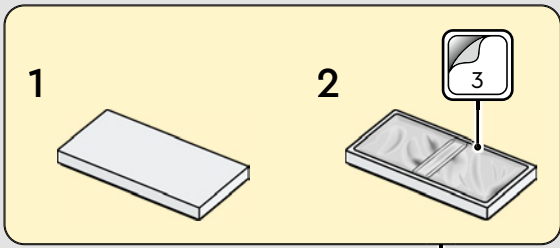
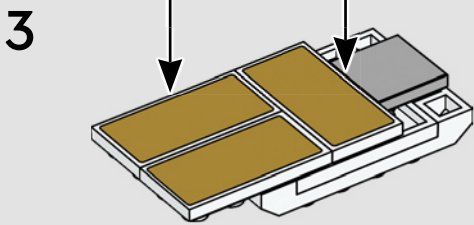
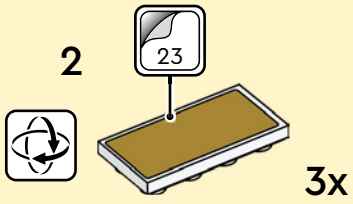
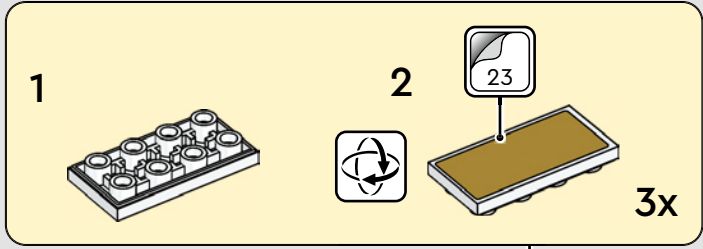
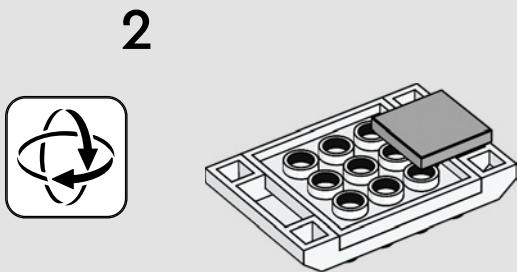
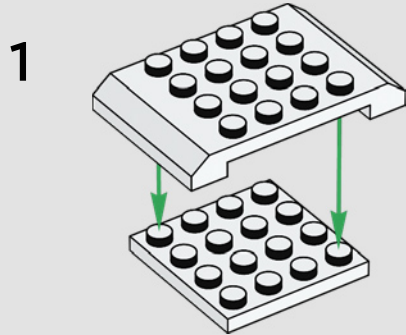
# 183



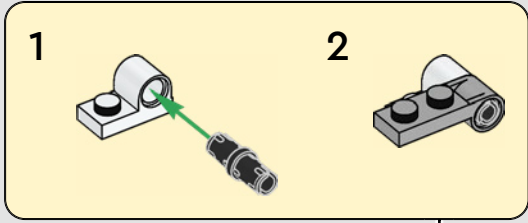




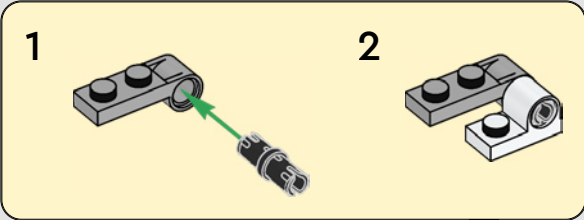
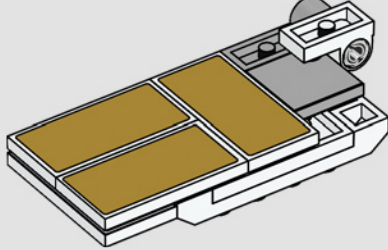
184



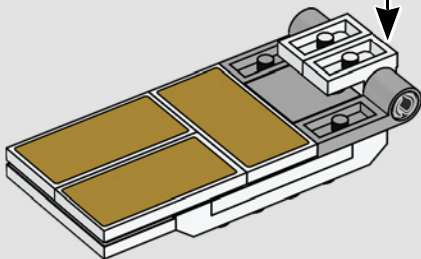




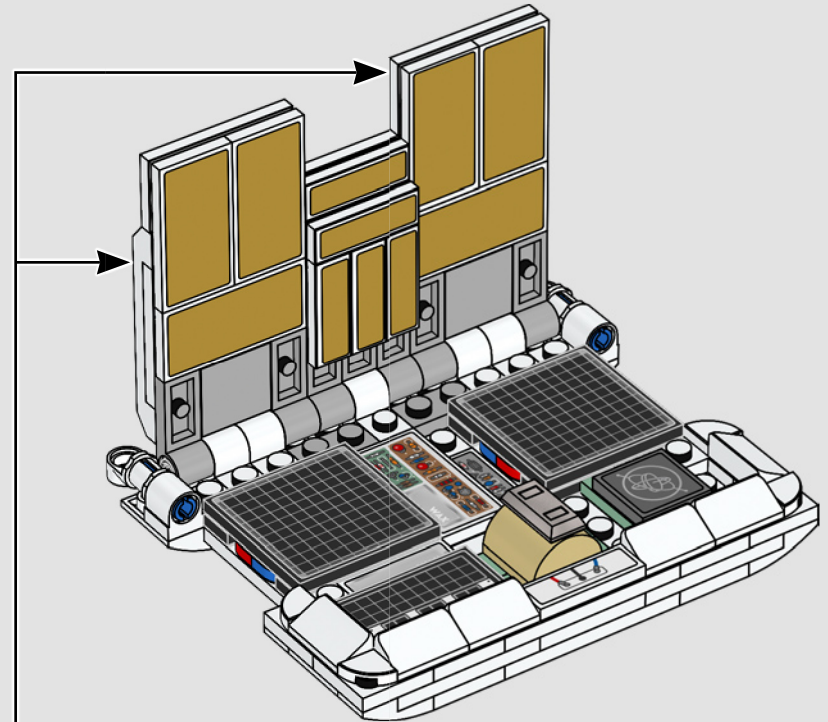
5

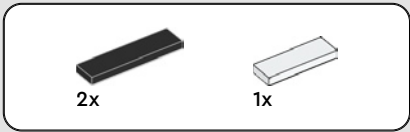


6

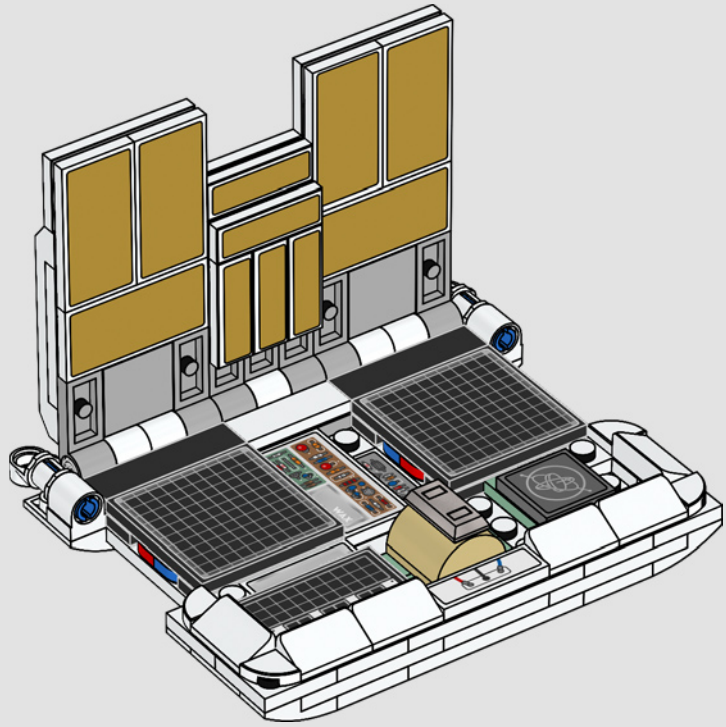


**2x**

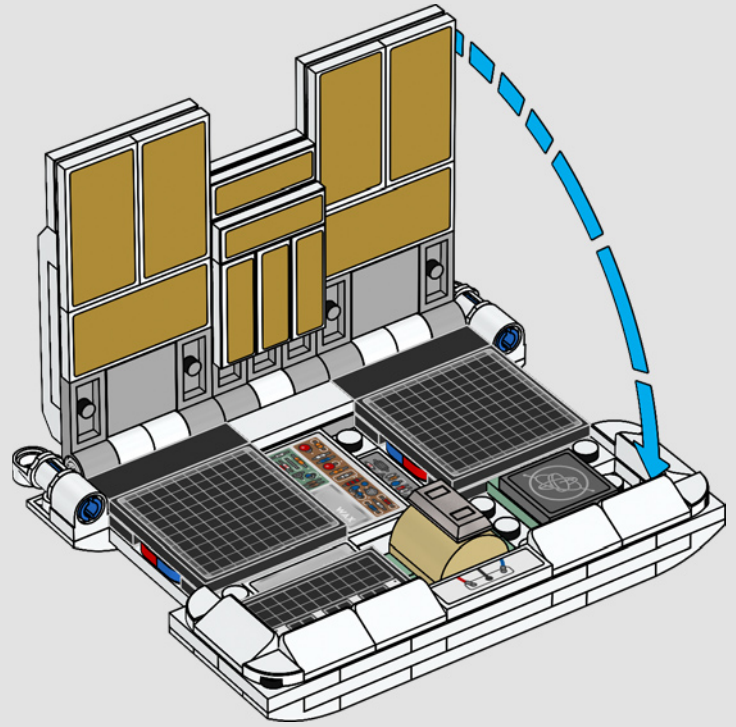


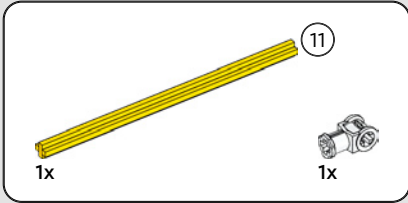
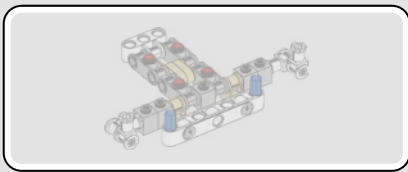


185

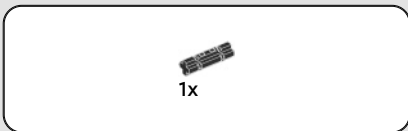
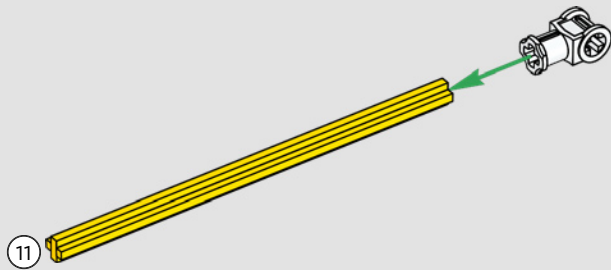


186

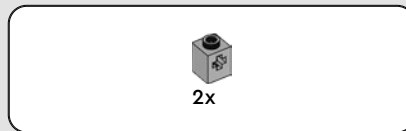
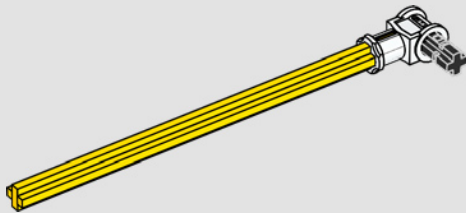




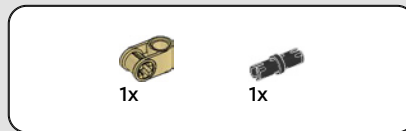
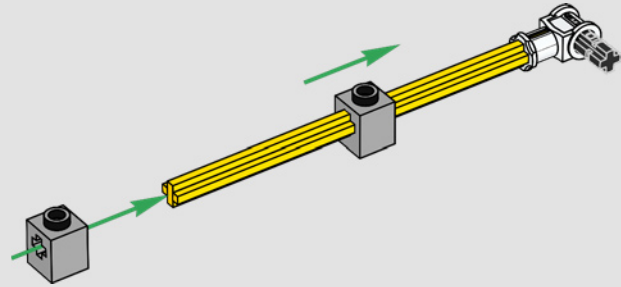
187



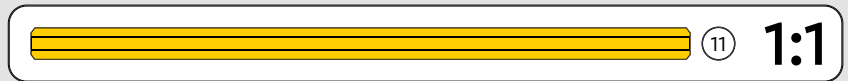
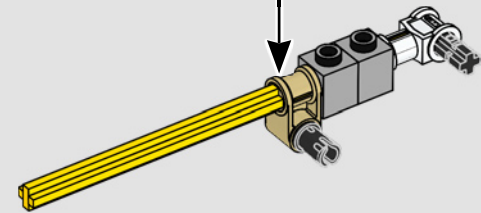
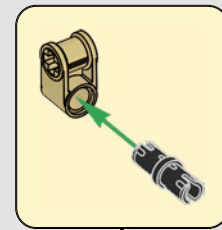
188

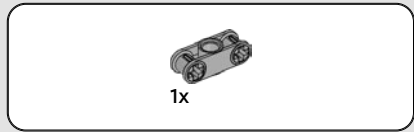


189

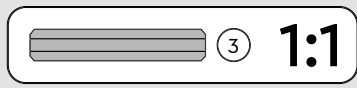
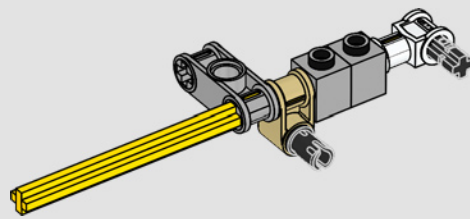


190

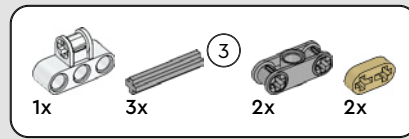




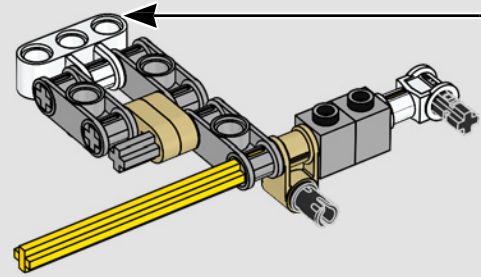
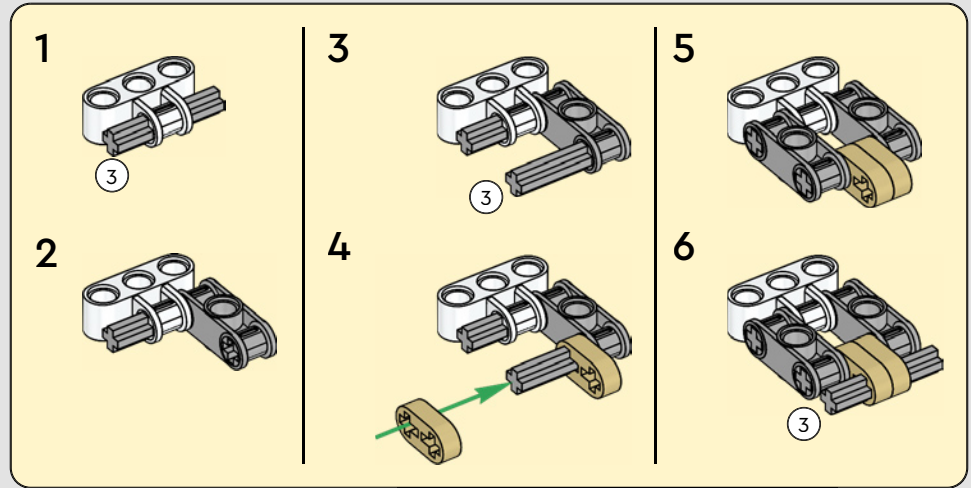
191



172



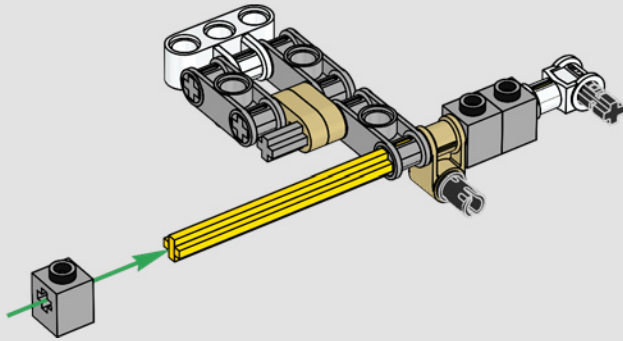
192





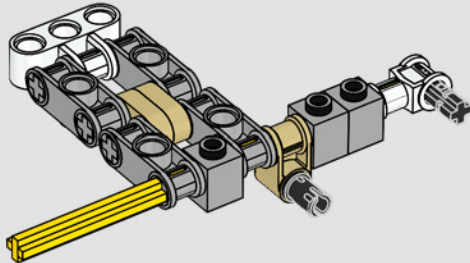
1x

# 193



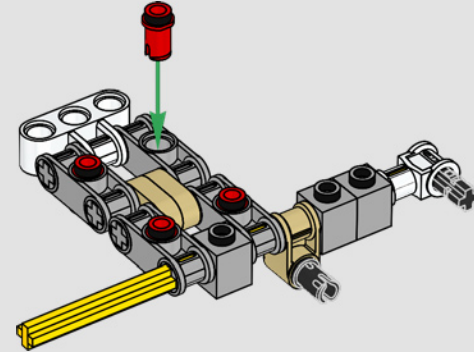
1x

# 194



4x

# 195

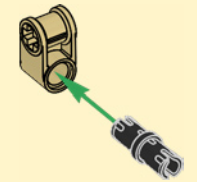
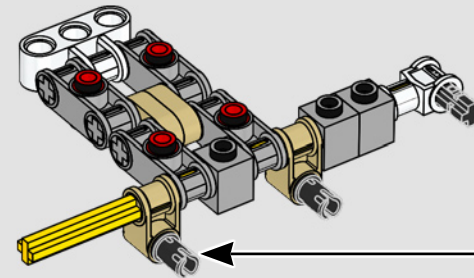


1x



1x

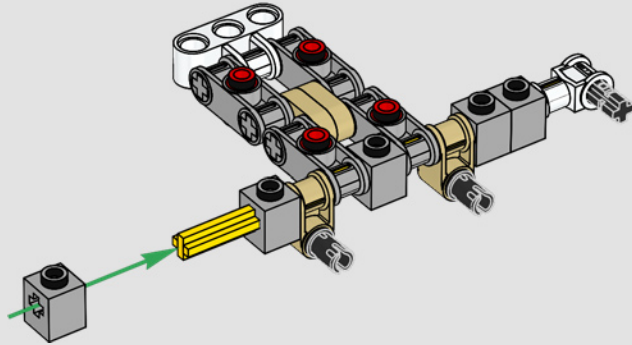
# 196





2x

# 197

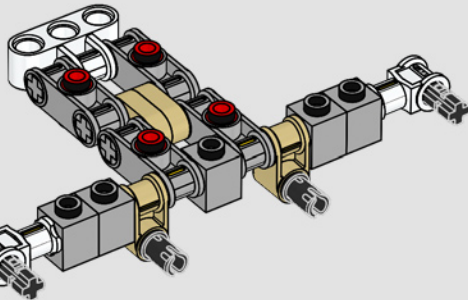


1x



1x

# 198



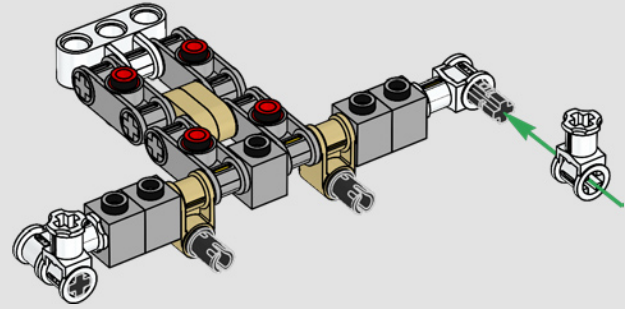
7

1:1



2x

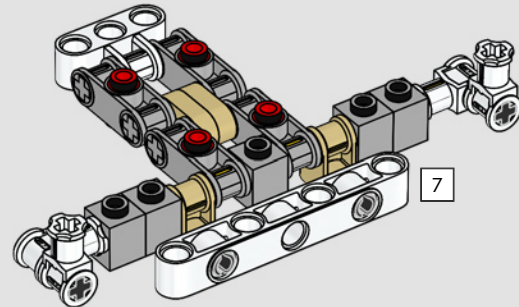
# 199



7

1x

# 200

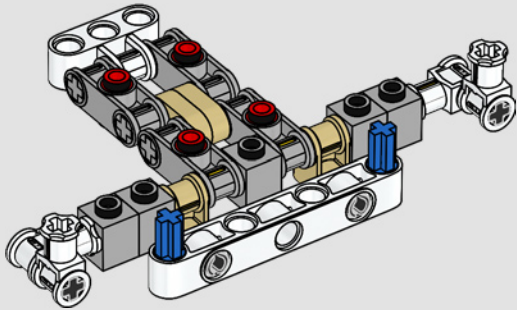


7

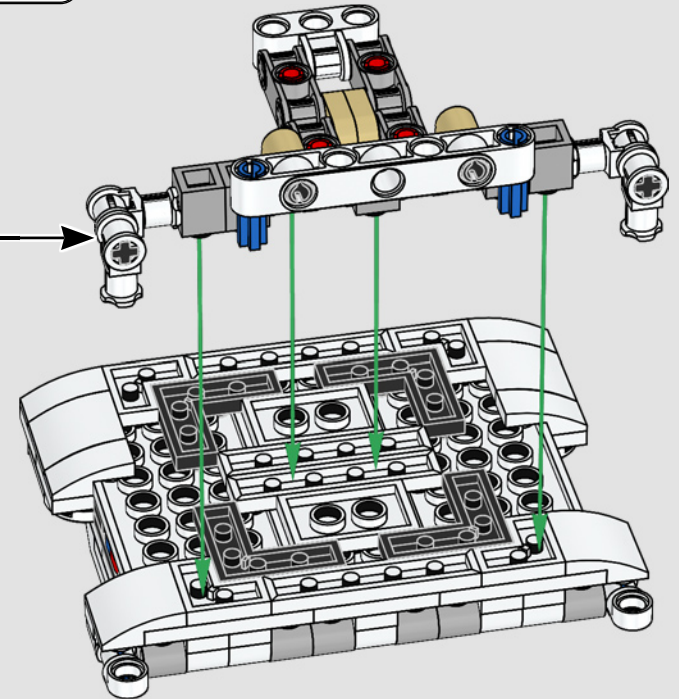
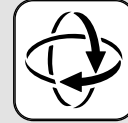


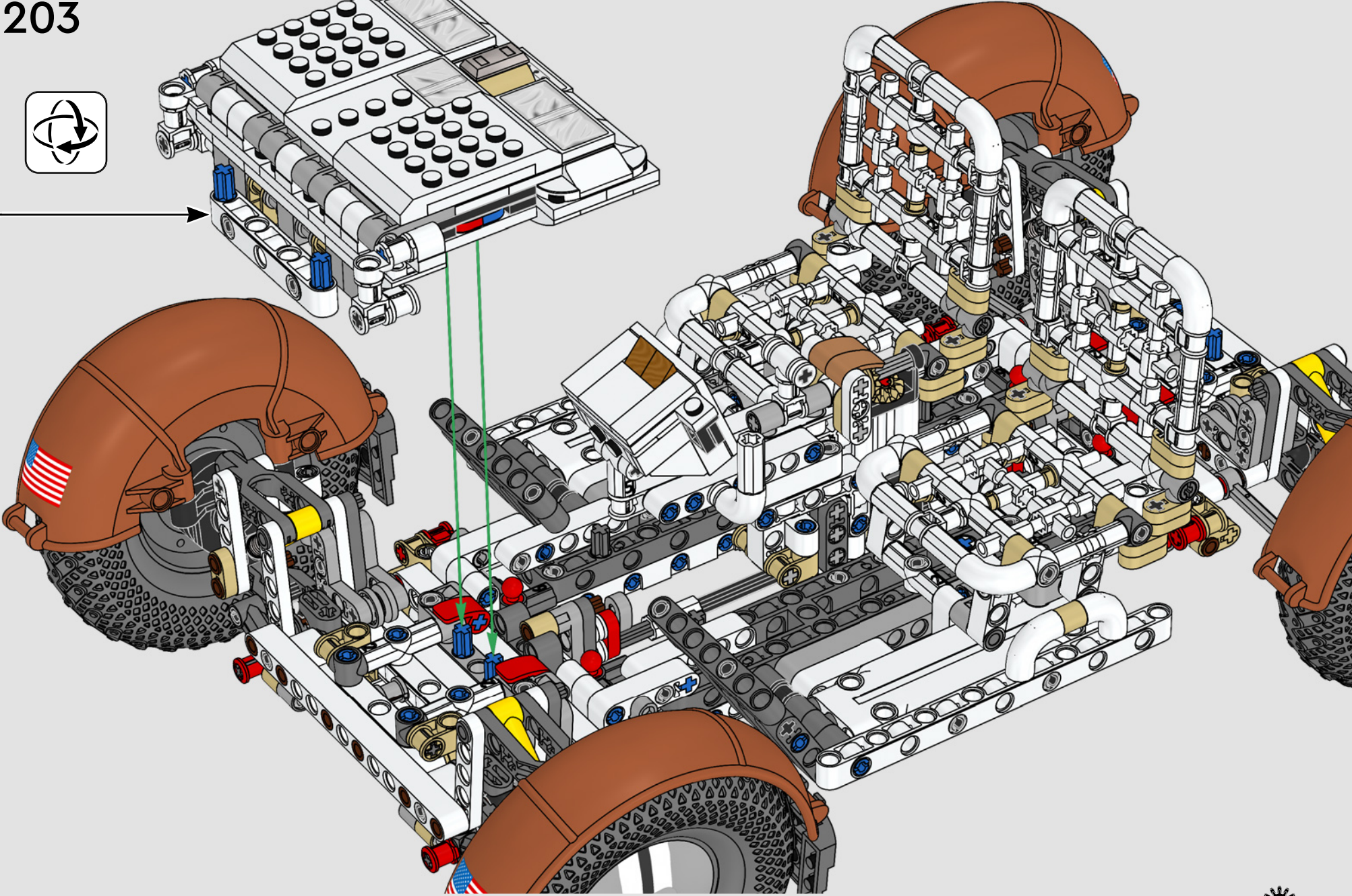
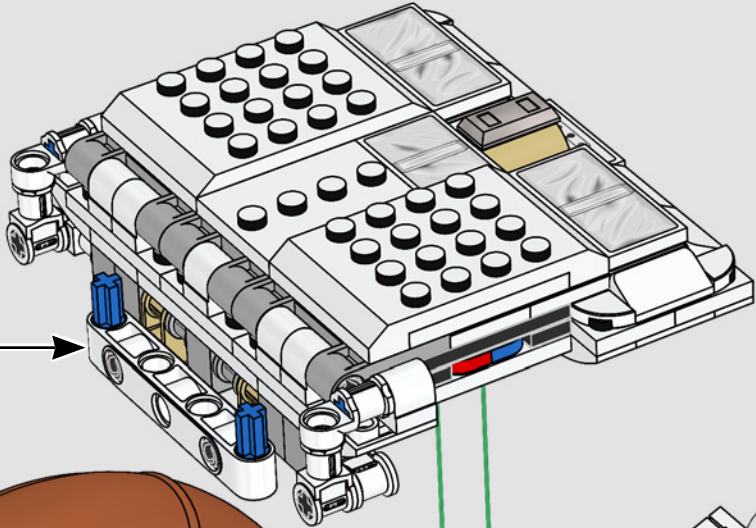


201

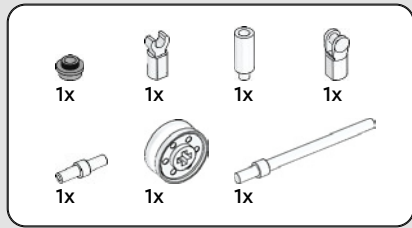


202









204

1



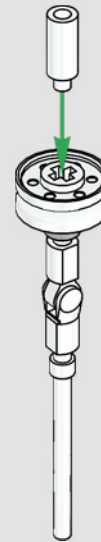
2

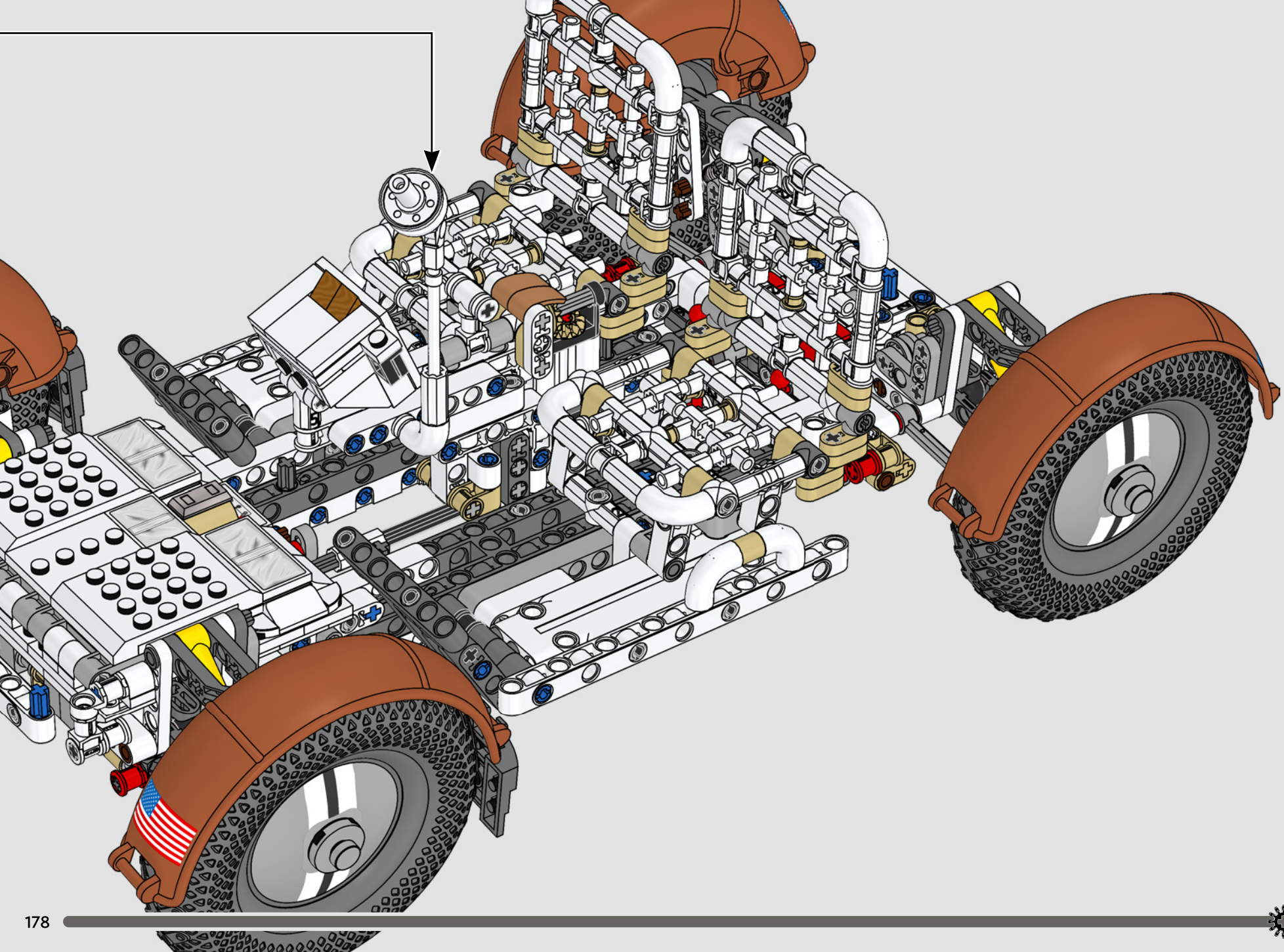


3



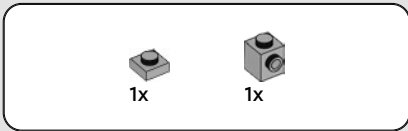
4



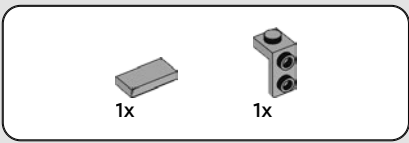




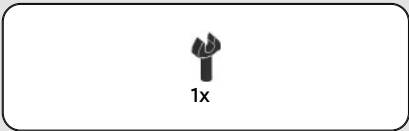
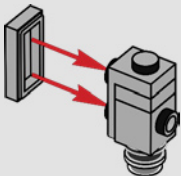
205



206

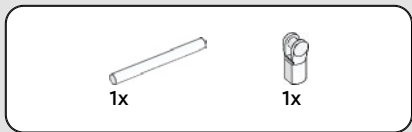


207

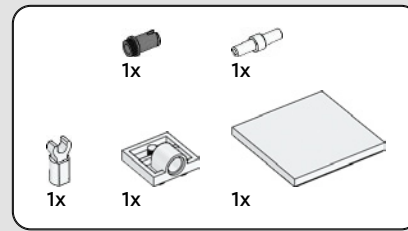
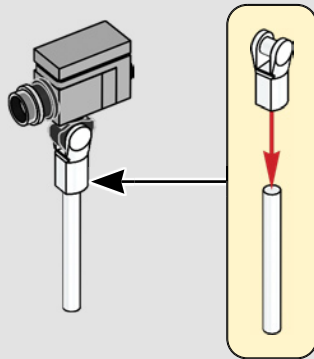


208

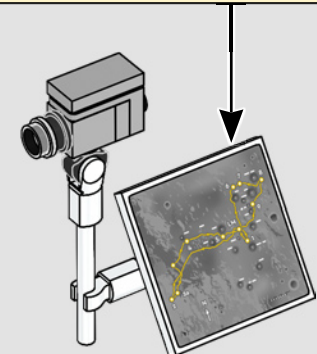
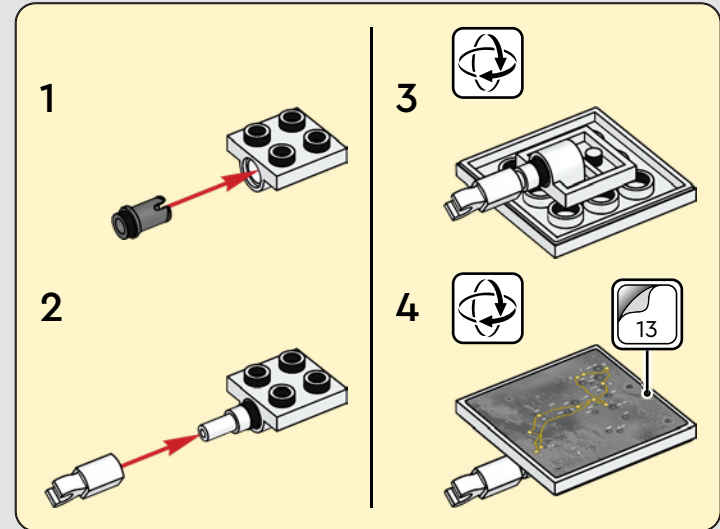




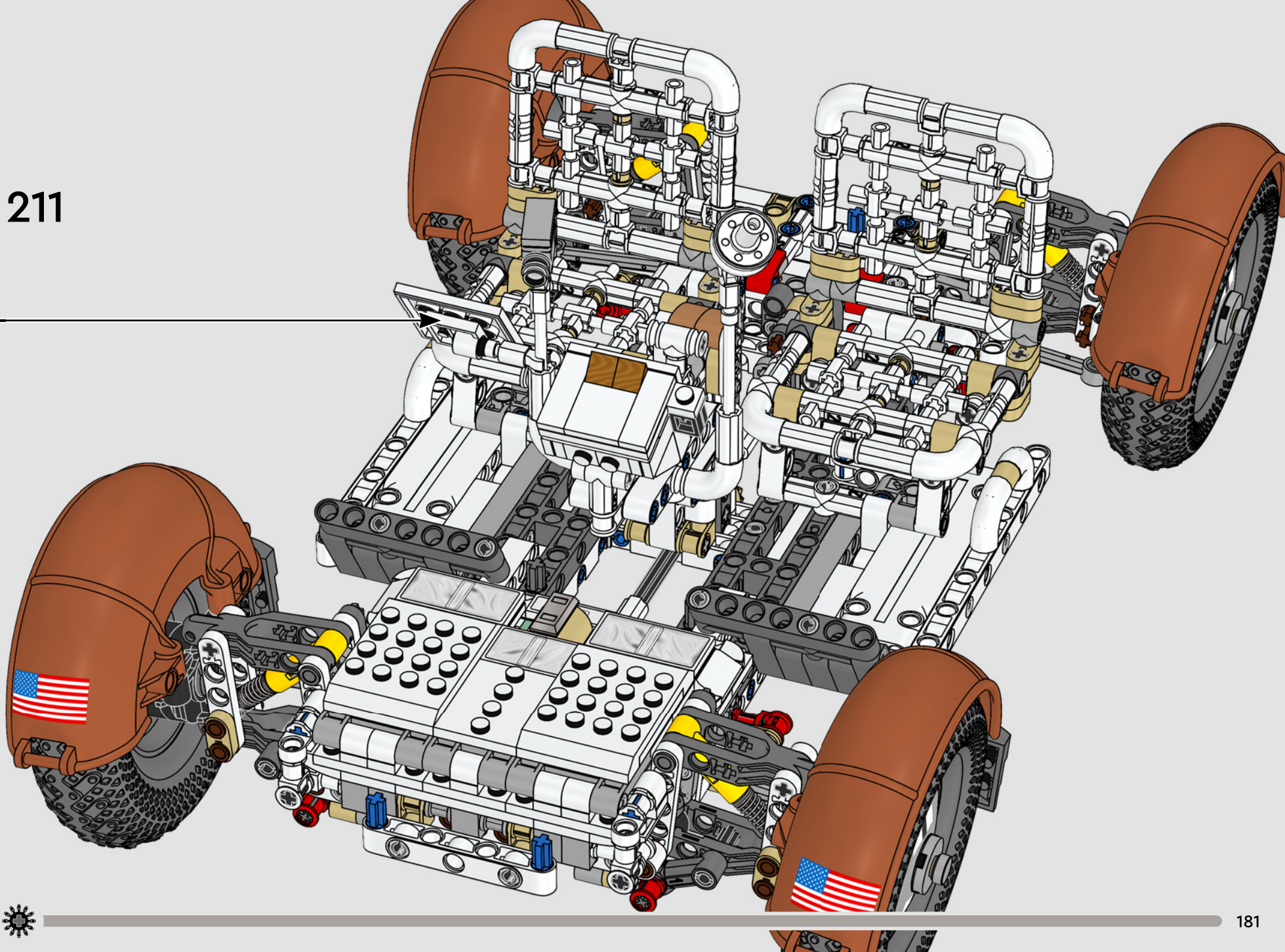
209

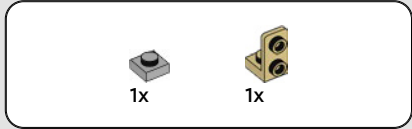
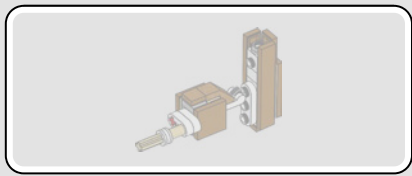


210

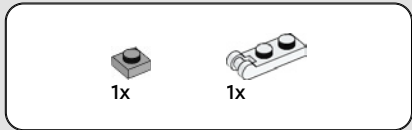


211

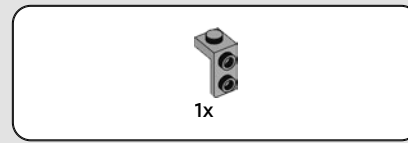
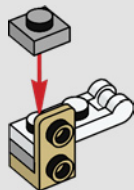




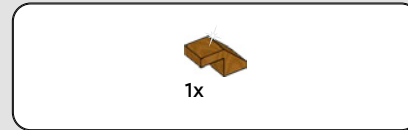
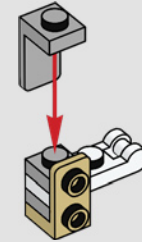
212



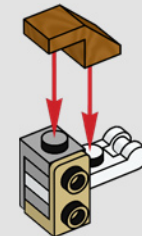
213



214



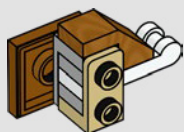
215





1x

# 216



1x



1x

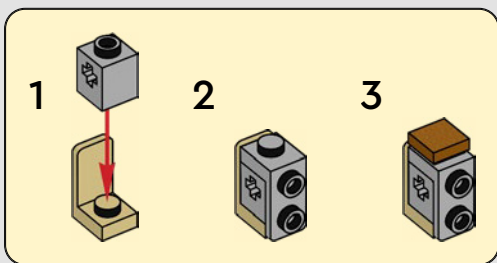


1x



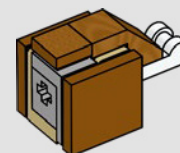
1x

# 217



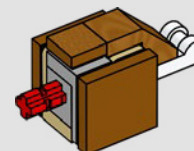
1x

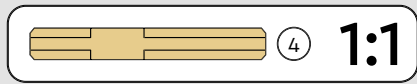
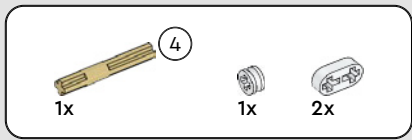
# 218



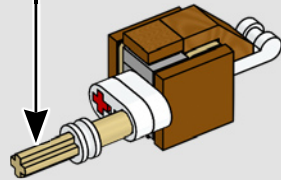
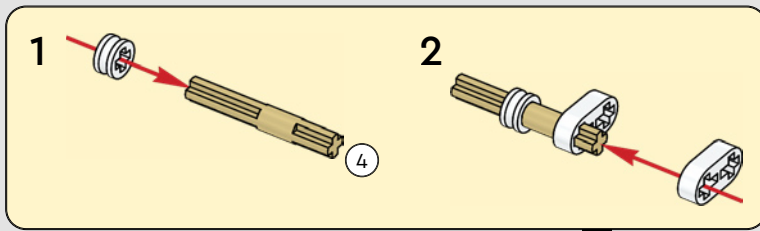
1x

# 219

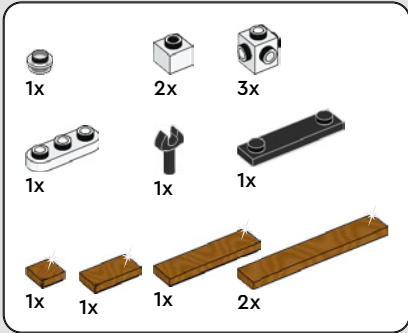
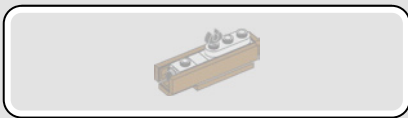




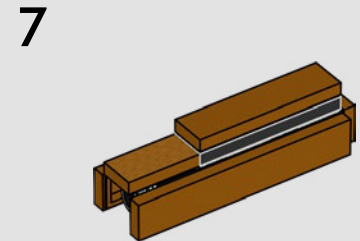
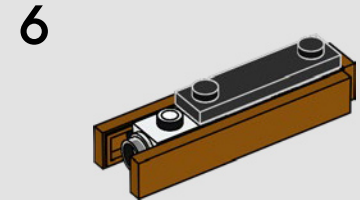
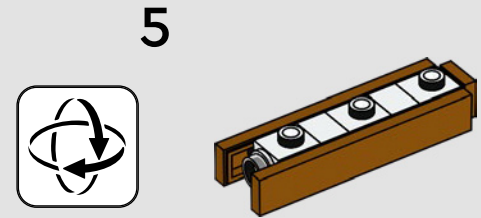
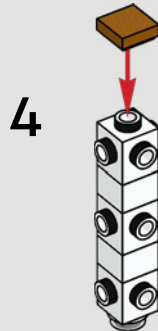
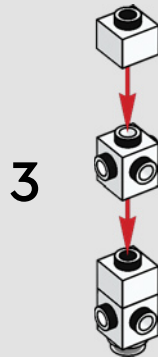
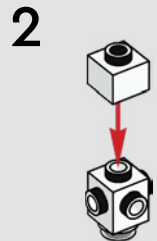
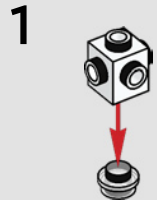
220



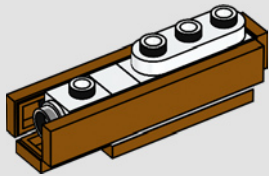




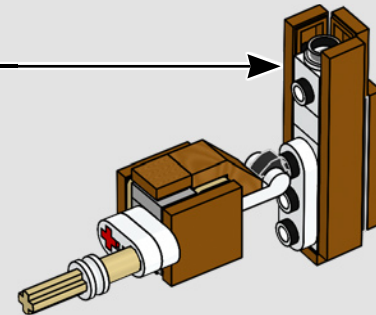
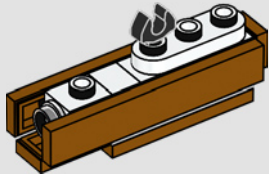
221

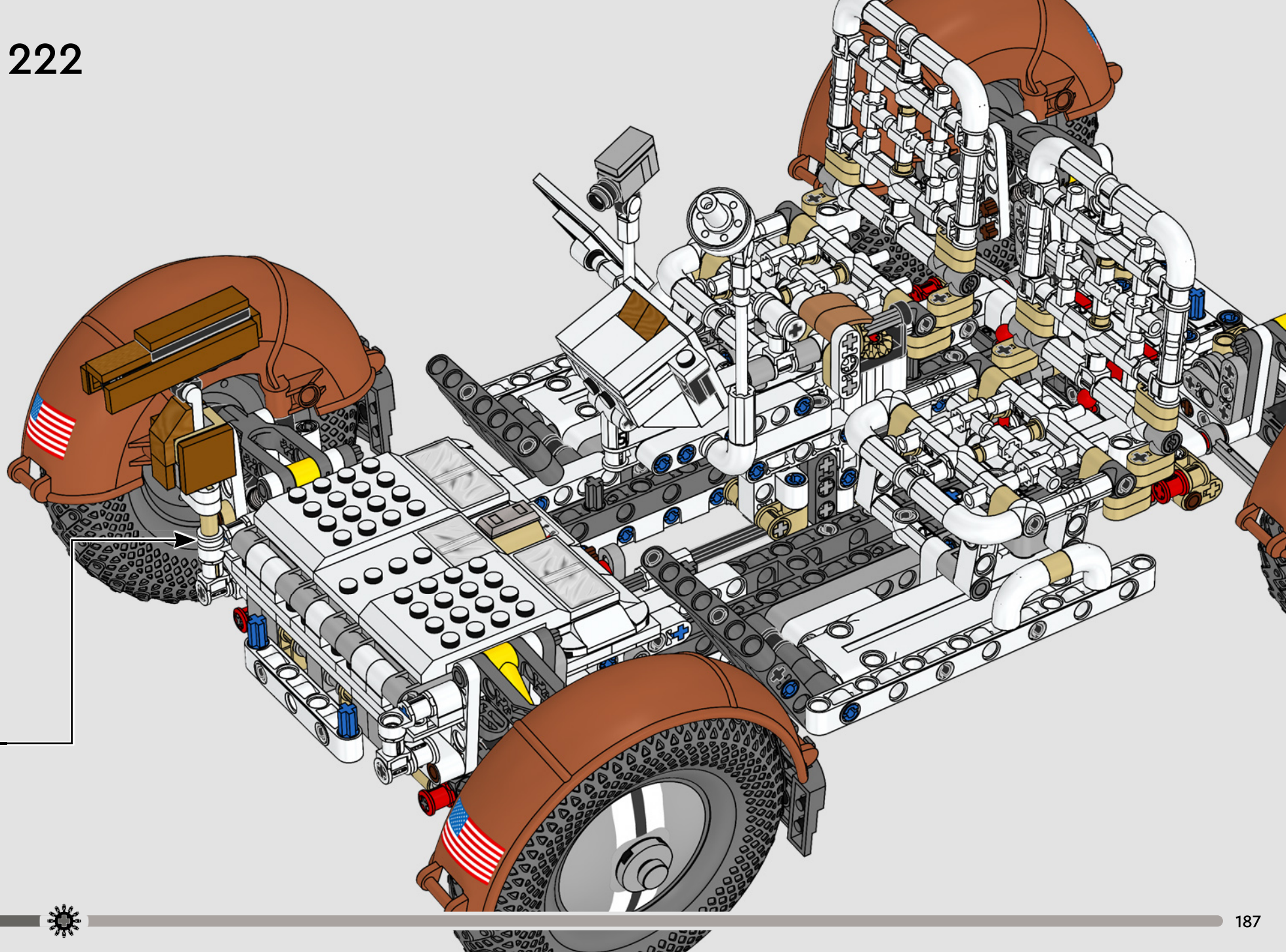


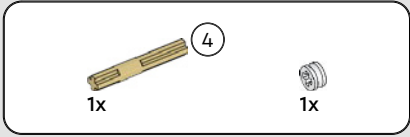
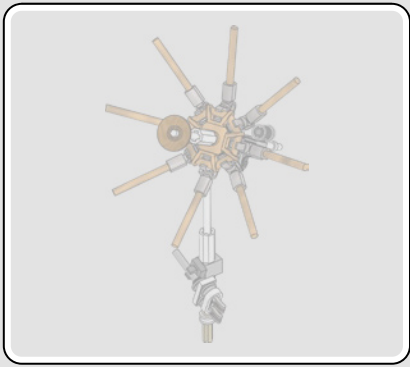
8



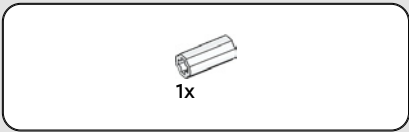
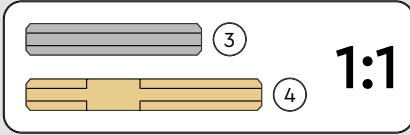
9



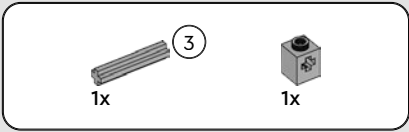




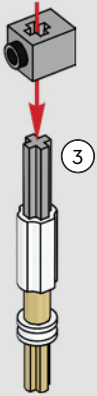
223

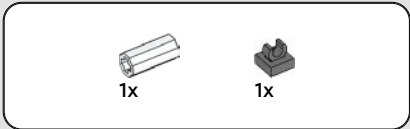


224

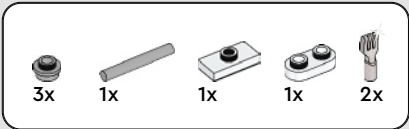
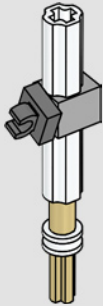


225

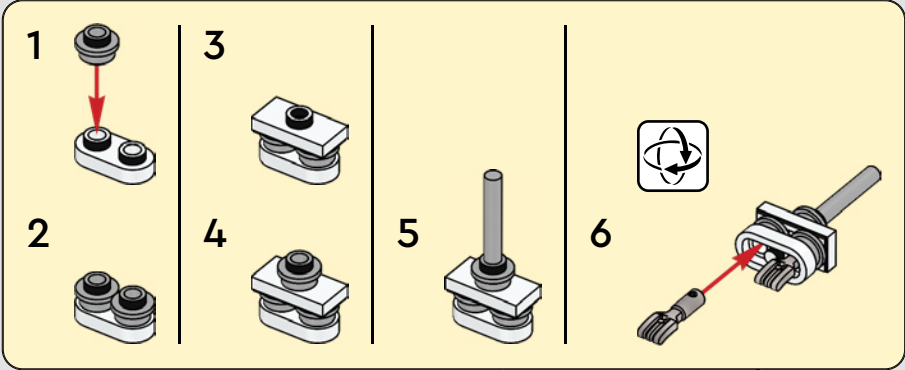


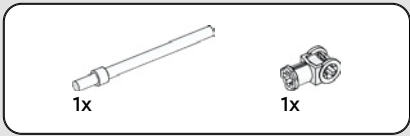


226

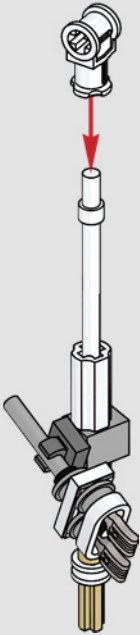


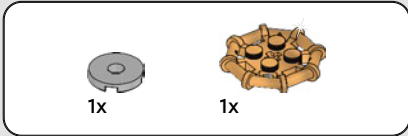
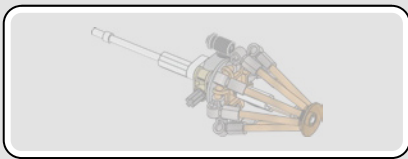
227



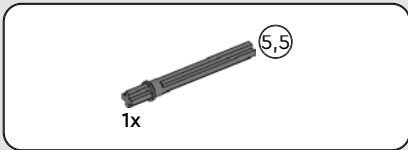
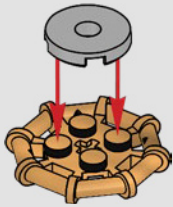


228

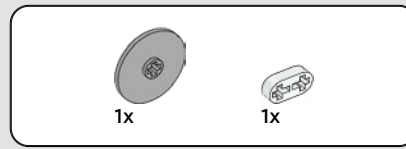
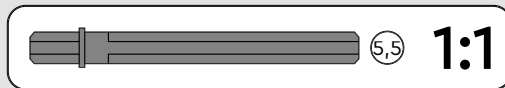
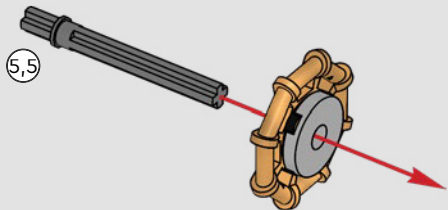




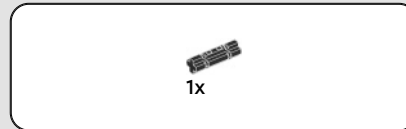
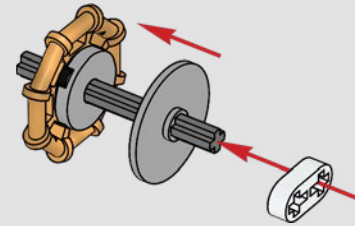
229



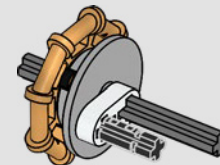
230

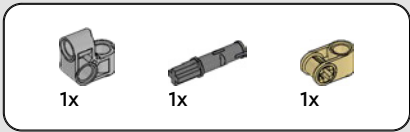


231

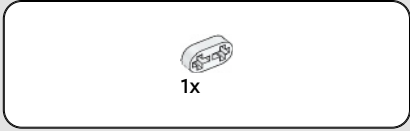
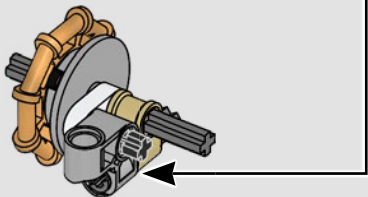
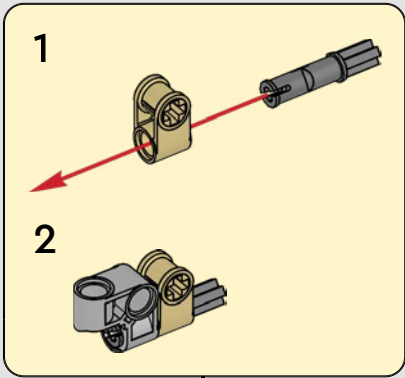


232

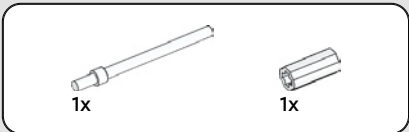
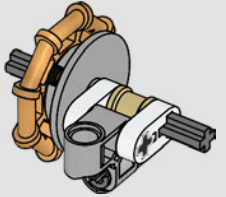




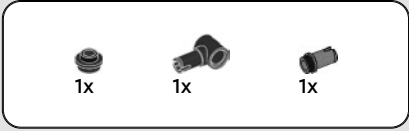
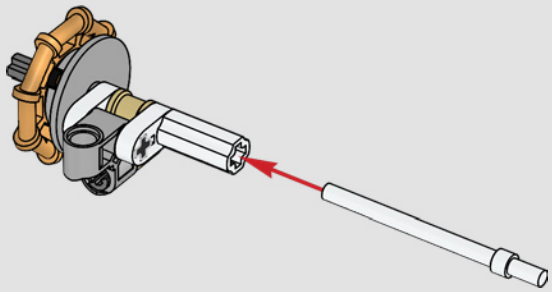
# 233



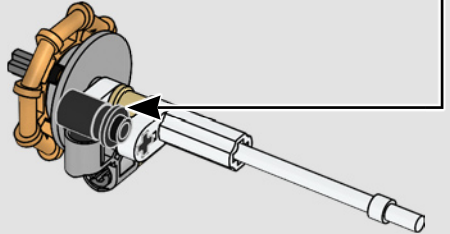
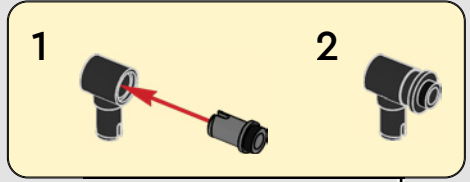
# 234



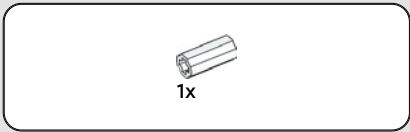
# 235



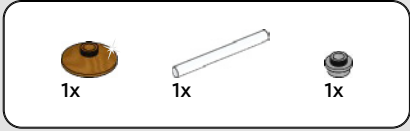
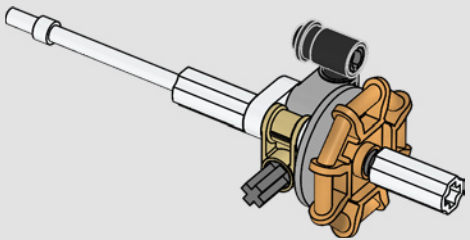
# 236



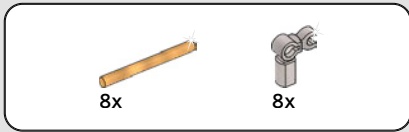
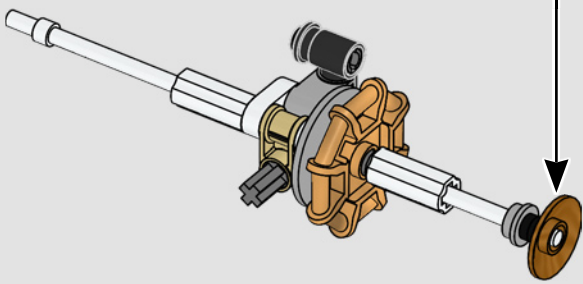
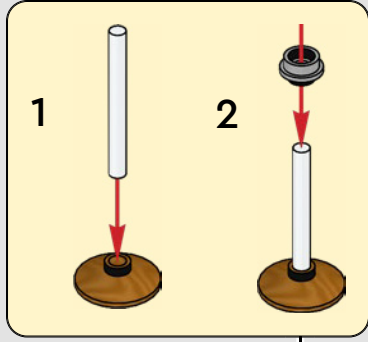




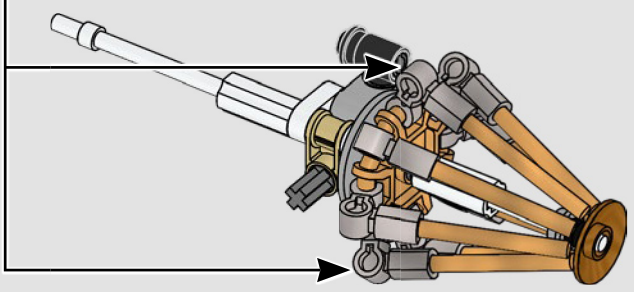
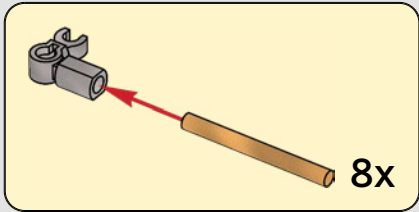
237



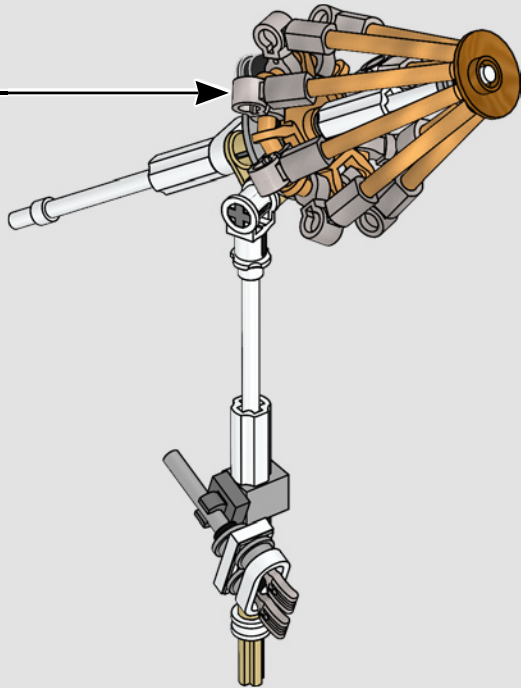
238



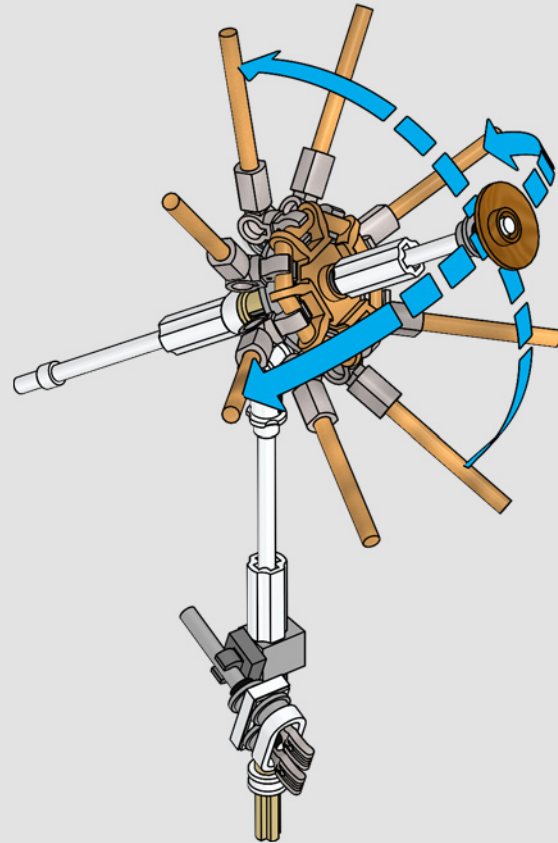
239



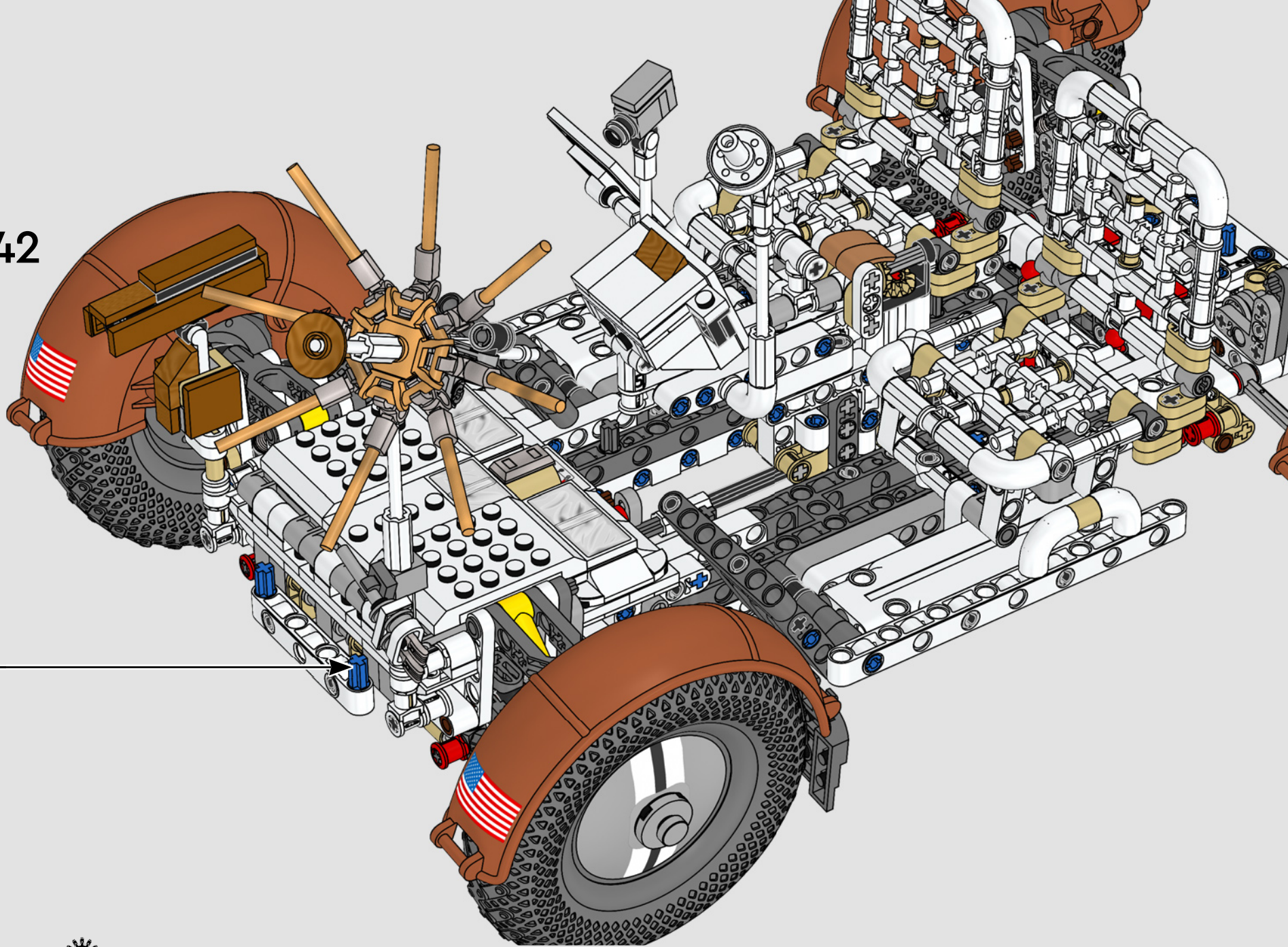
240

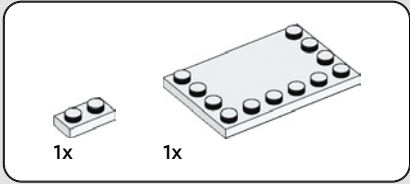
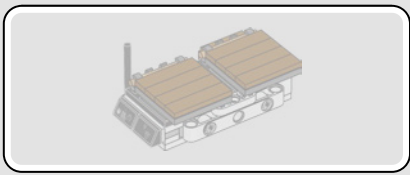


241

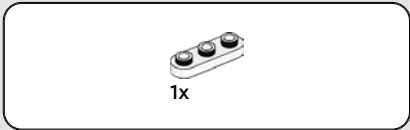
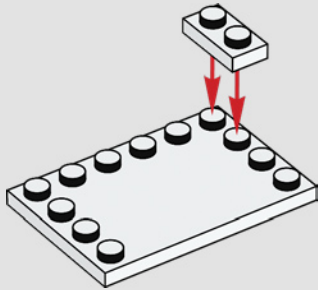


242

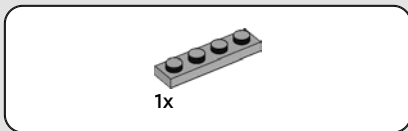
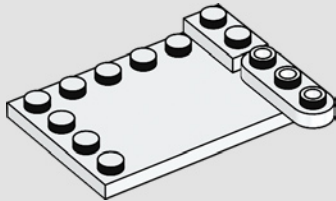




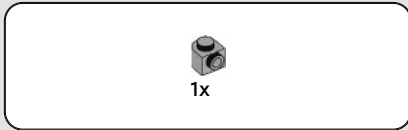
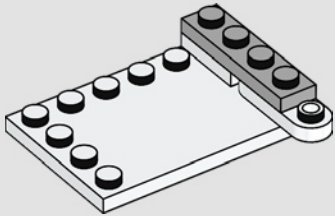
243



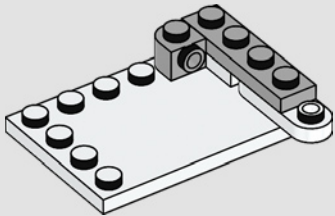
244

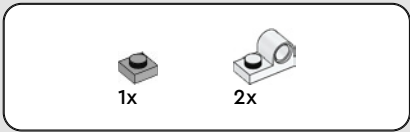


245

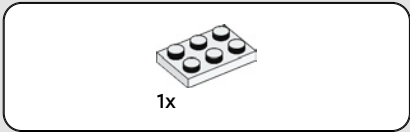
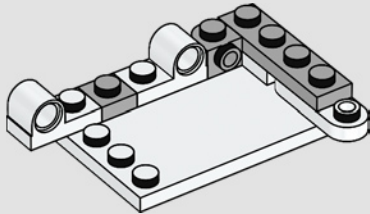


246

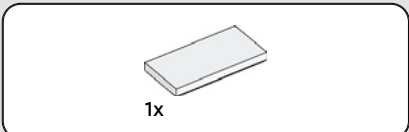
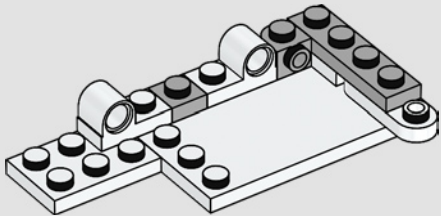




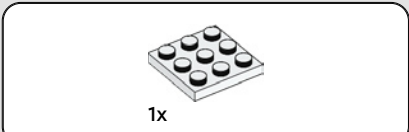
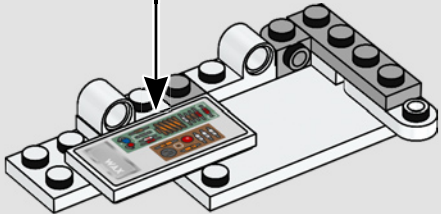
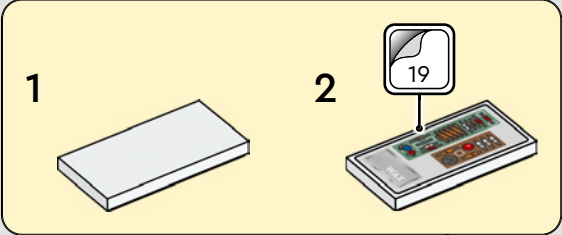
247



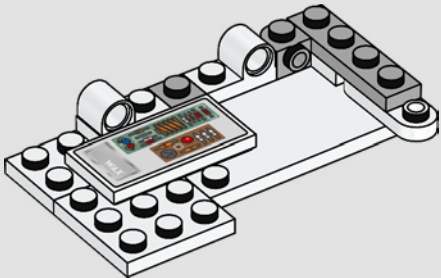
248



249



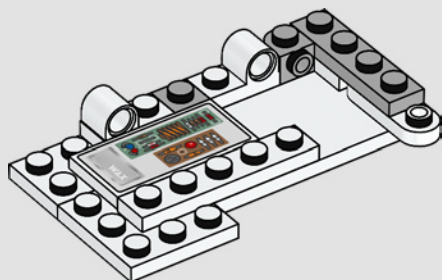
250





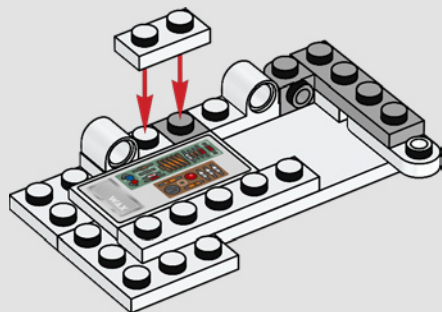
1x

# 251



1x

# 252

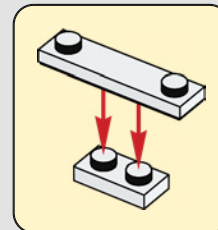
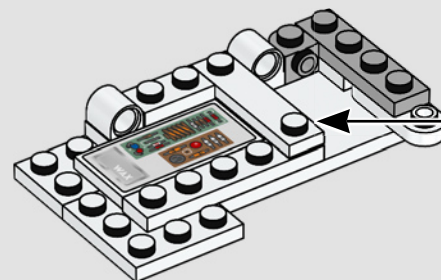


1x



1x

# 253



1x

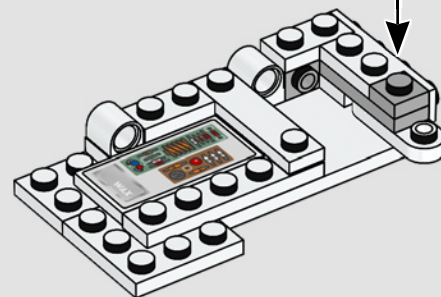
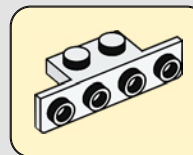


1x



1x

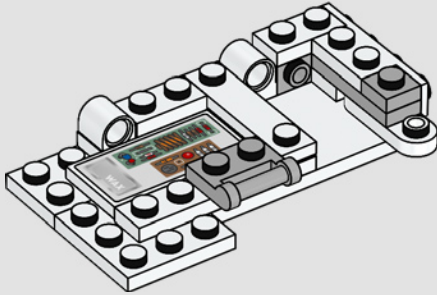
# 254





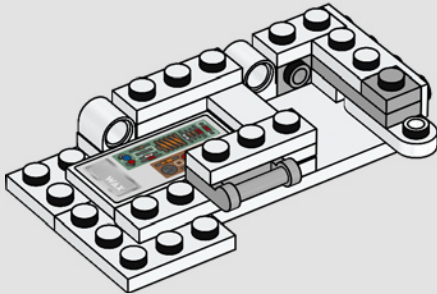
1x

255



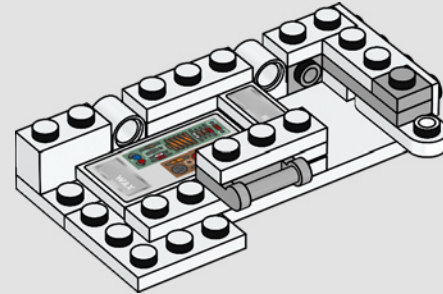
2x

256

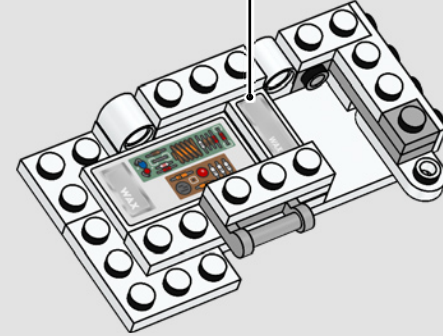


1x

258

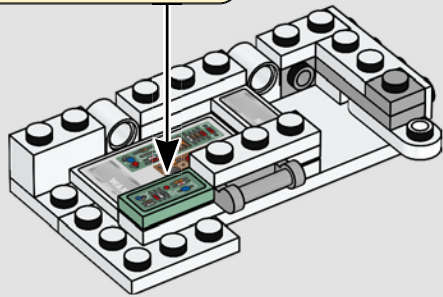
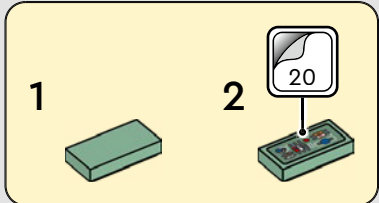


257

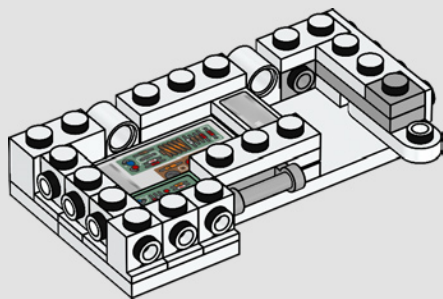




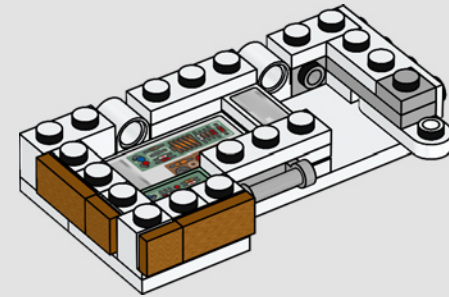
259



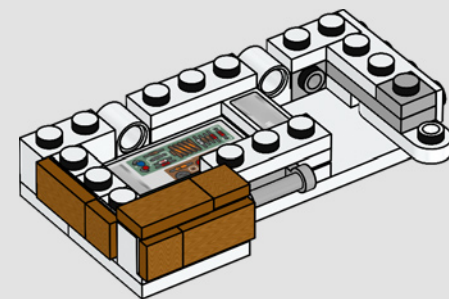
260



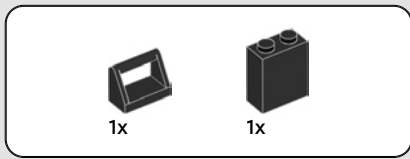
261



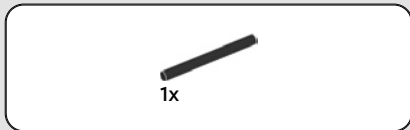
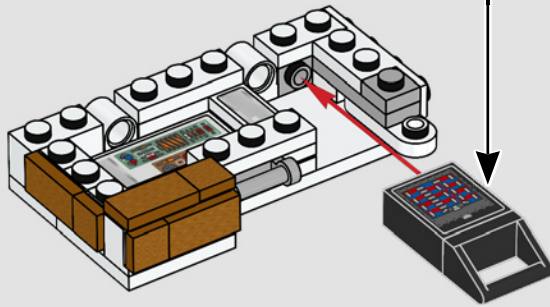
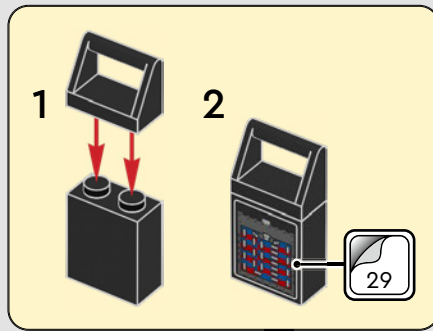
262



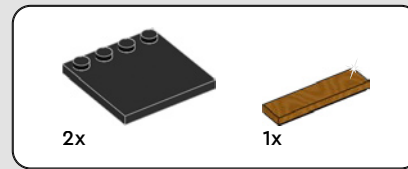
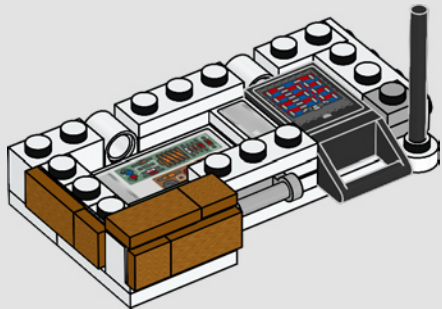




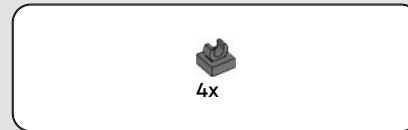
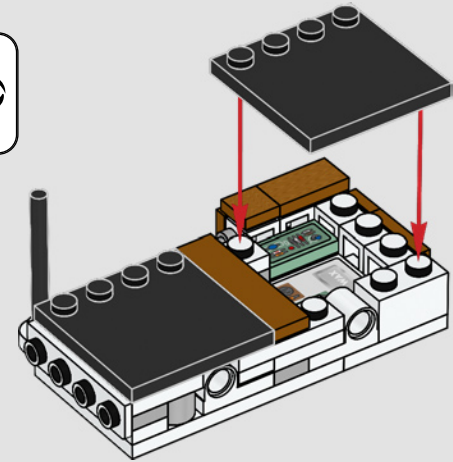
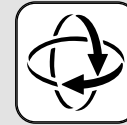
263



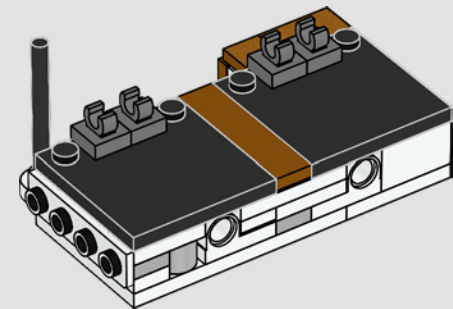
264



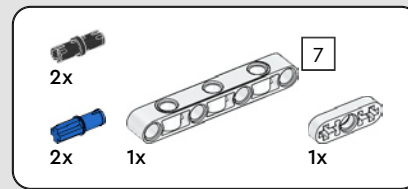
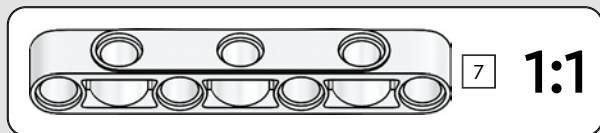
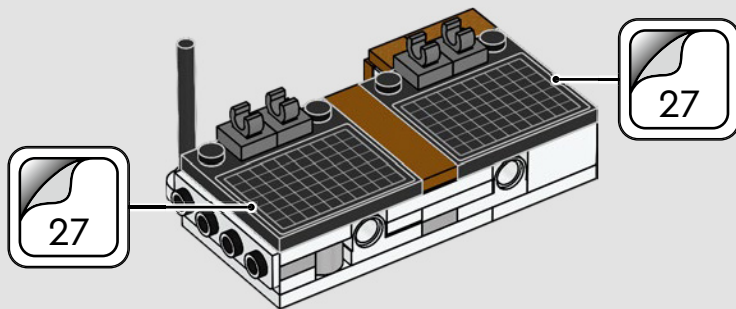
265



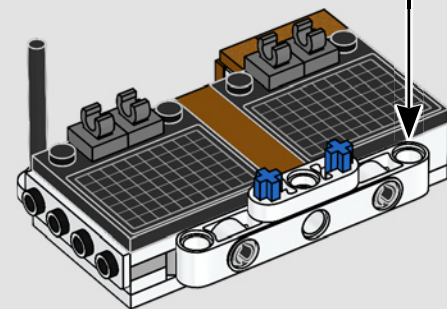
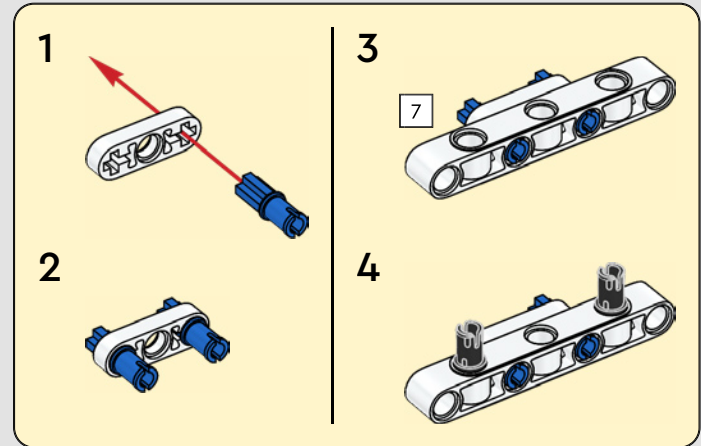
266

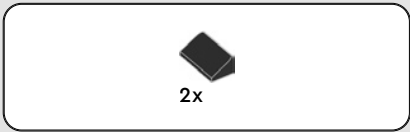


# 267

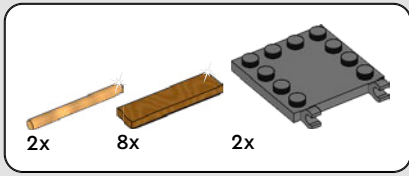
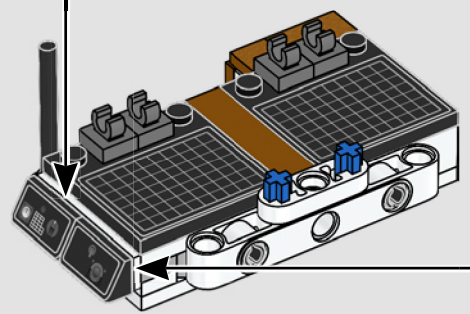
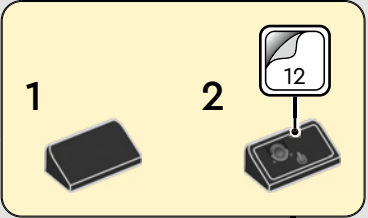
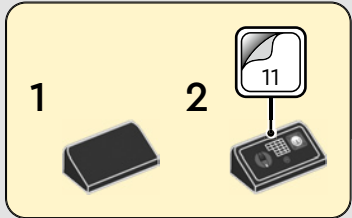


# 268

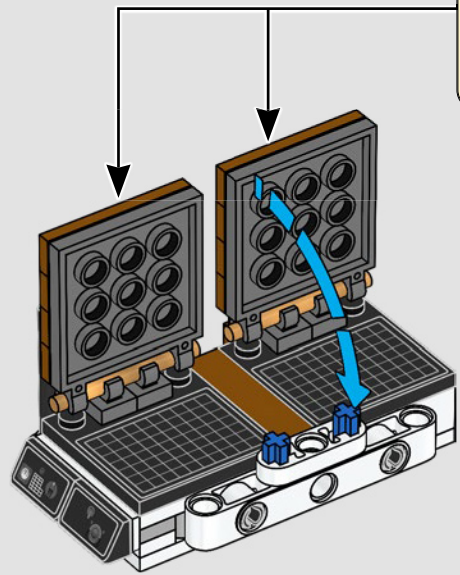
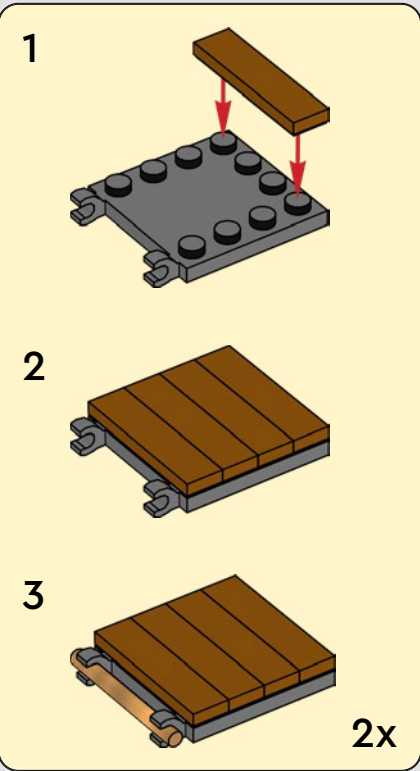


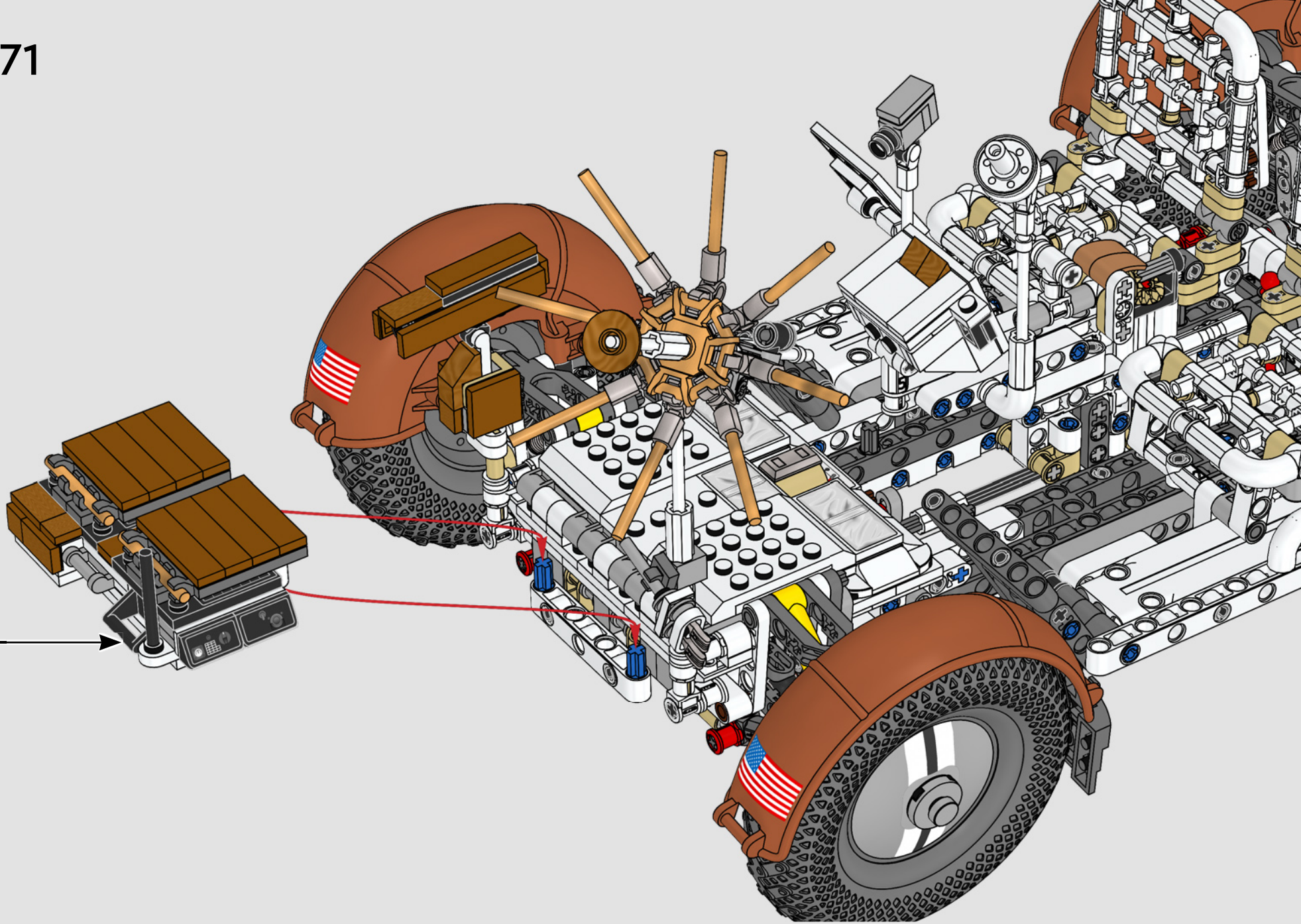


269

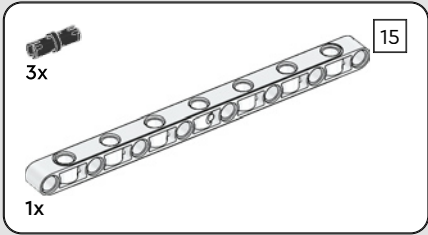
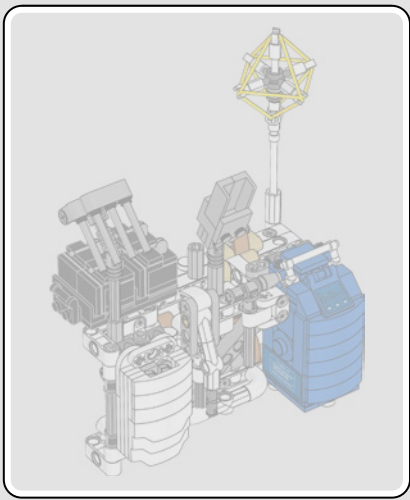


270

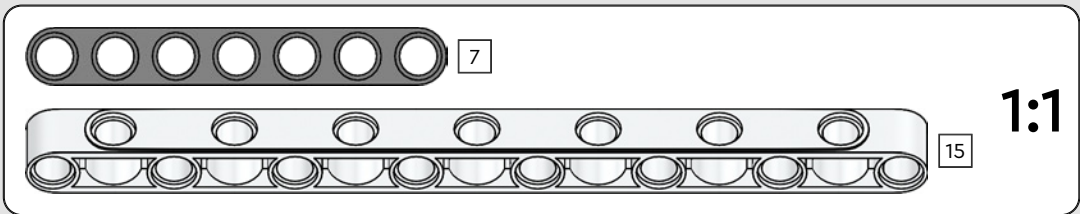
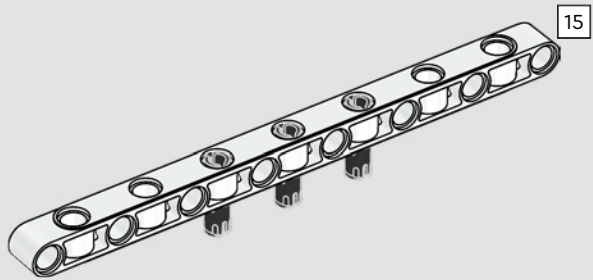




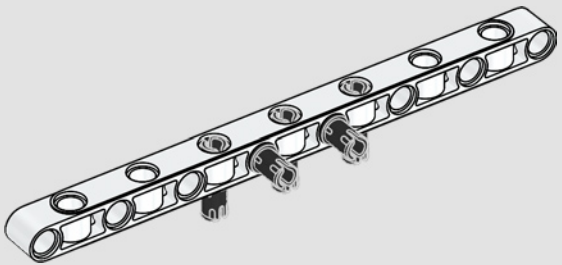


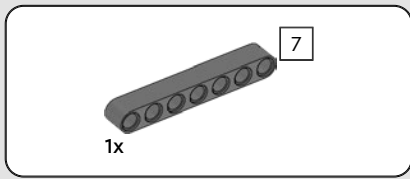


272

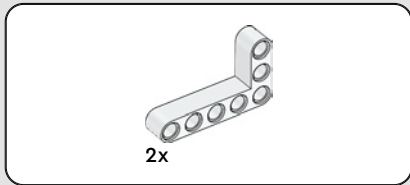
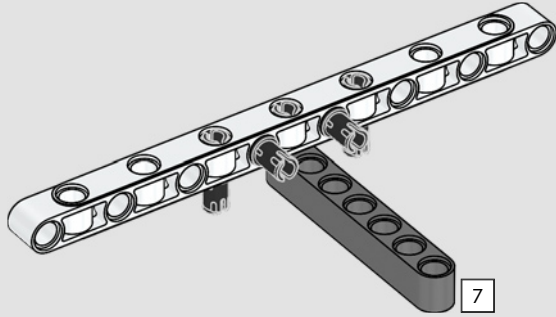


273

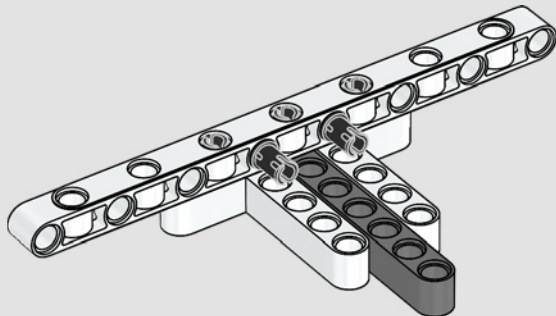




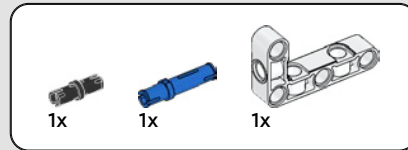
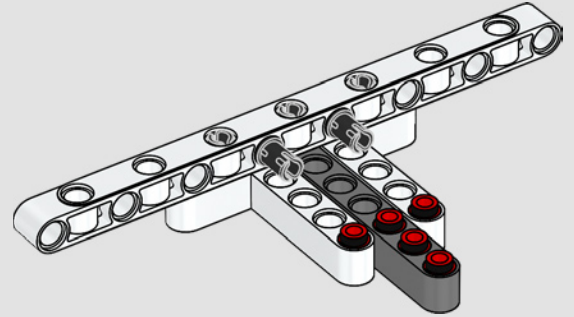
274



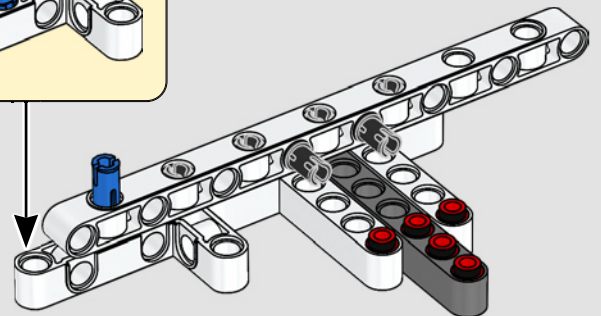
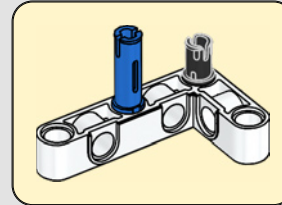
275



276



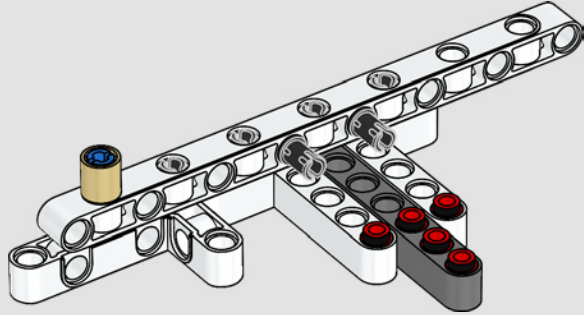
277





1x

# 278

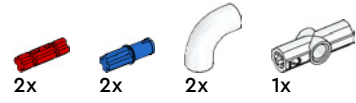
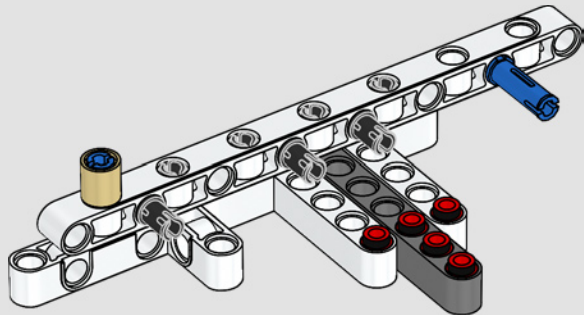


1x

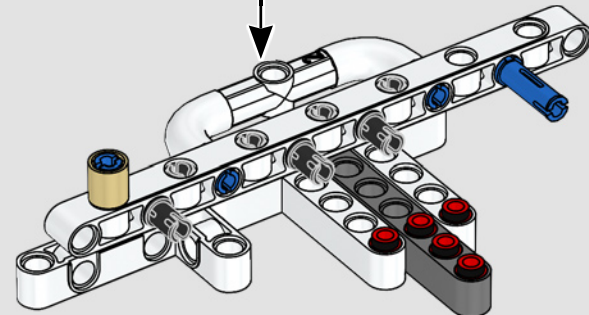
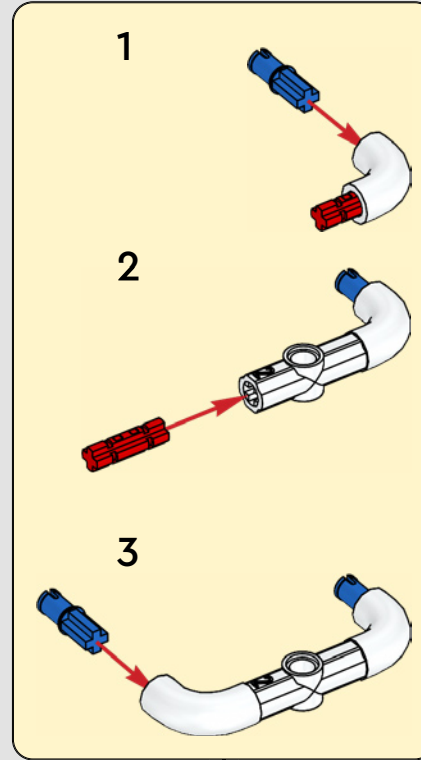


1x

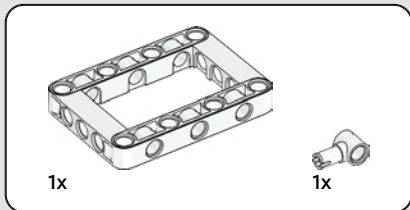
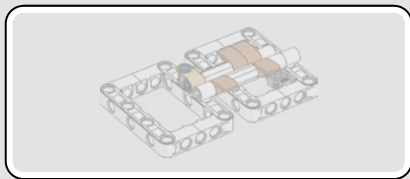
# 279



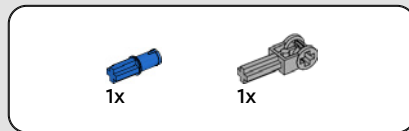
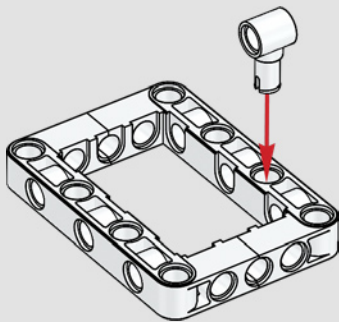
# 280



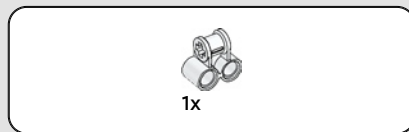
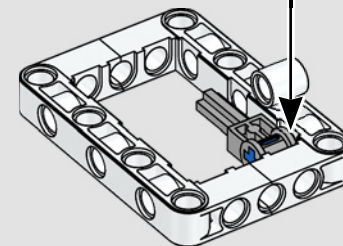
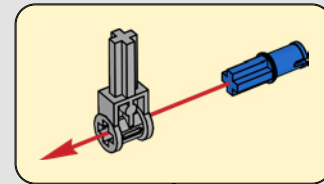




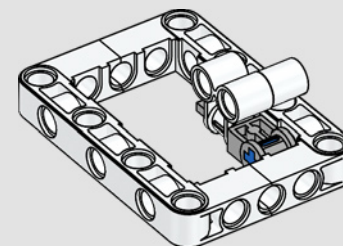
281

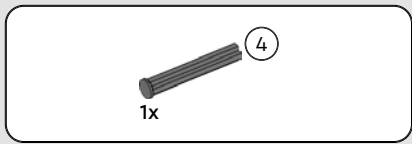


282

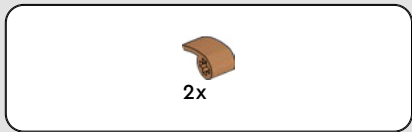
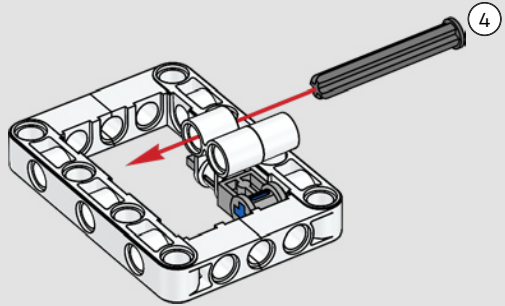


283

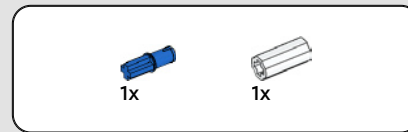
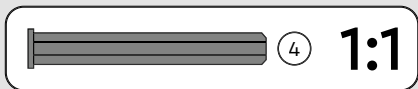
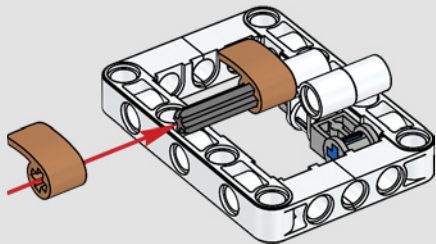




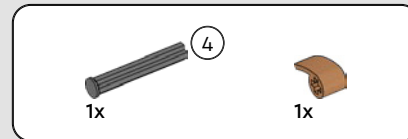
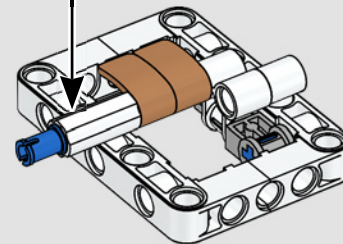
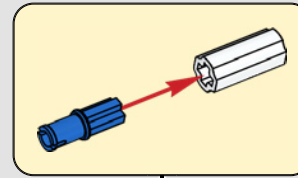
284



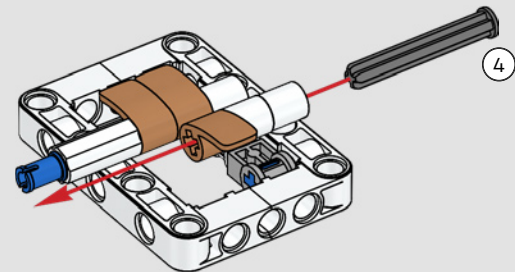
285

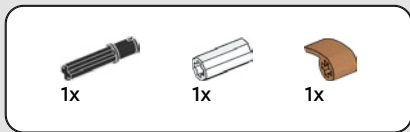


286

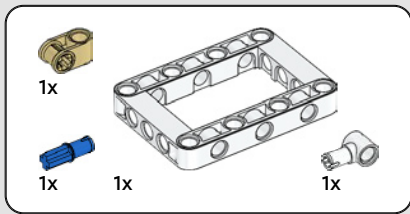
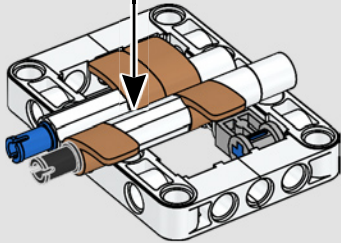
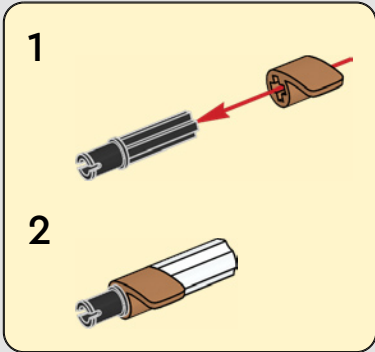


287

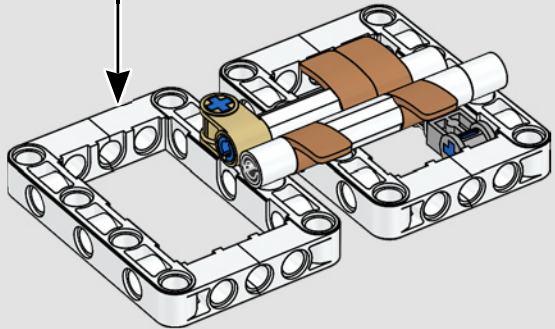
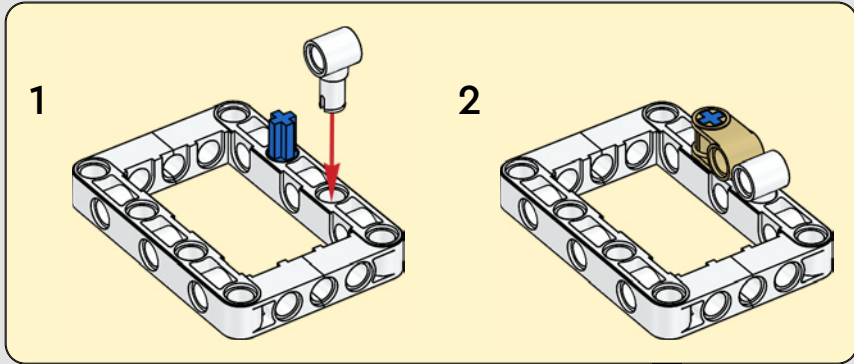




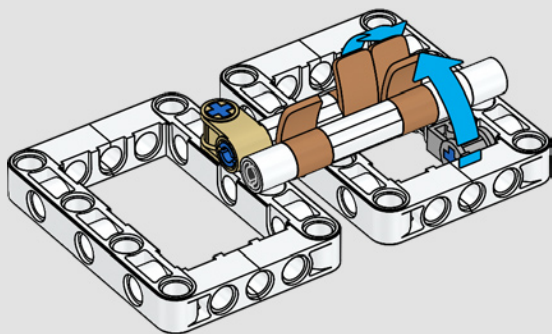
288



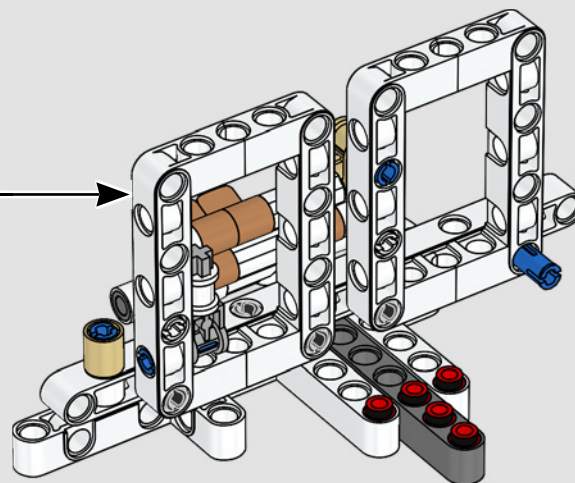
289

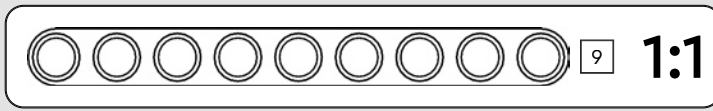
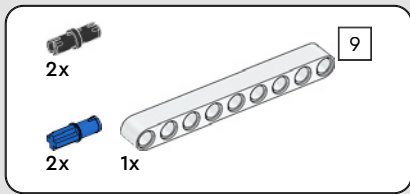


290

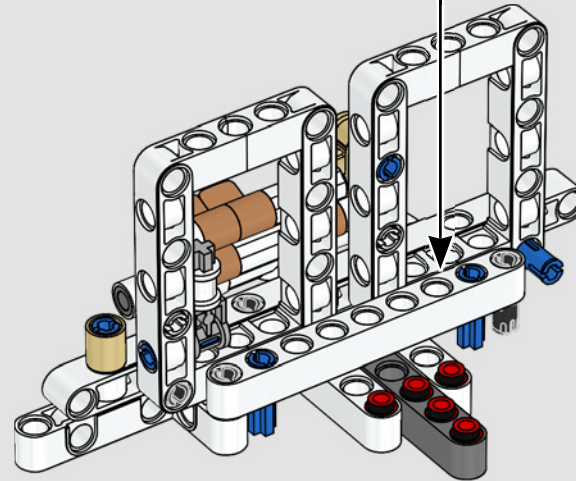
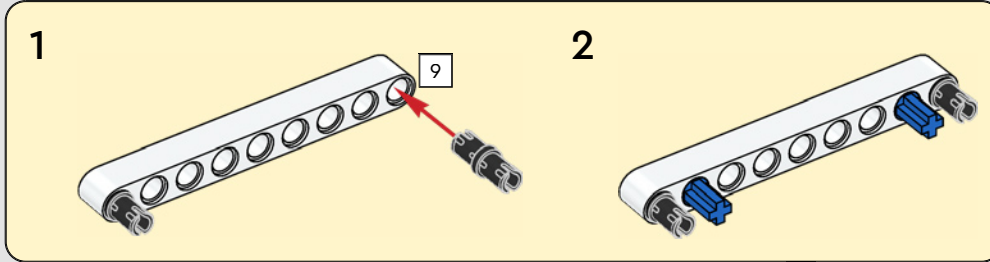


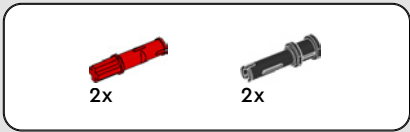
291



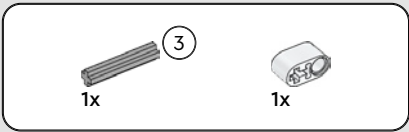
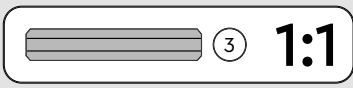
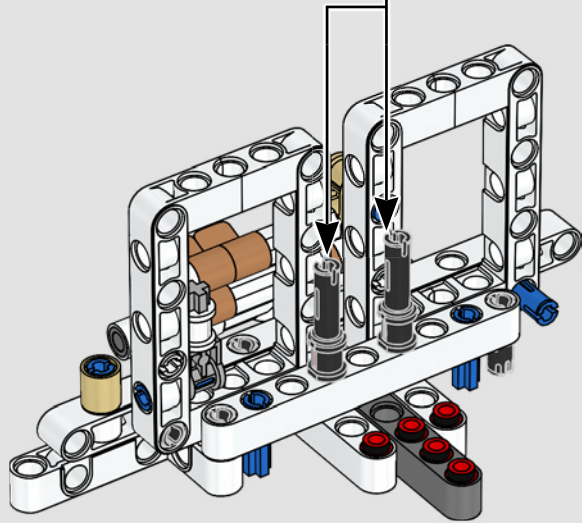
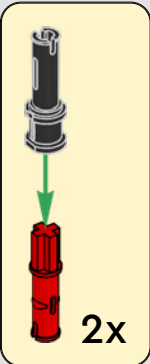


292

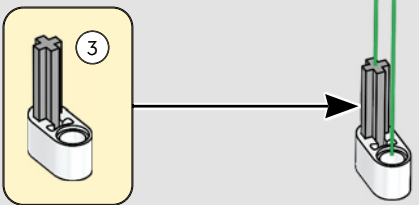
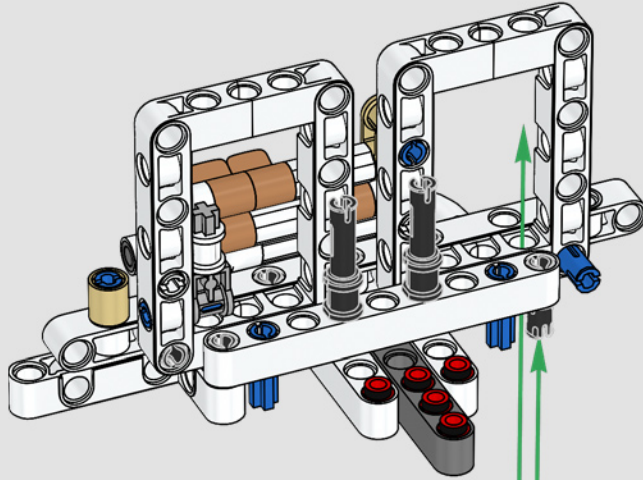


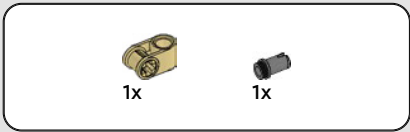


# 293

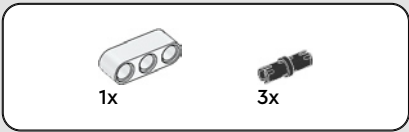
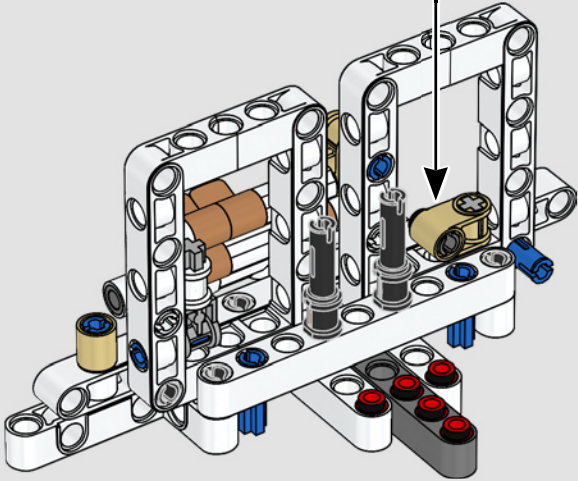
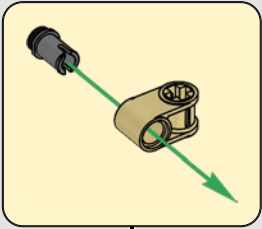


# 294

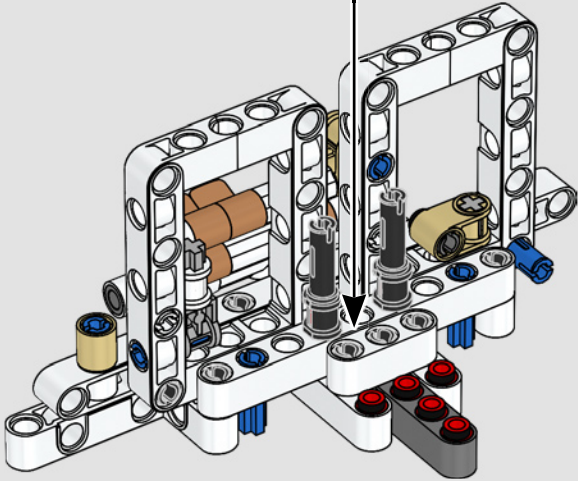
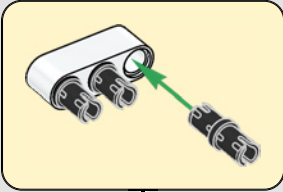




295



296



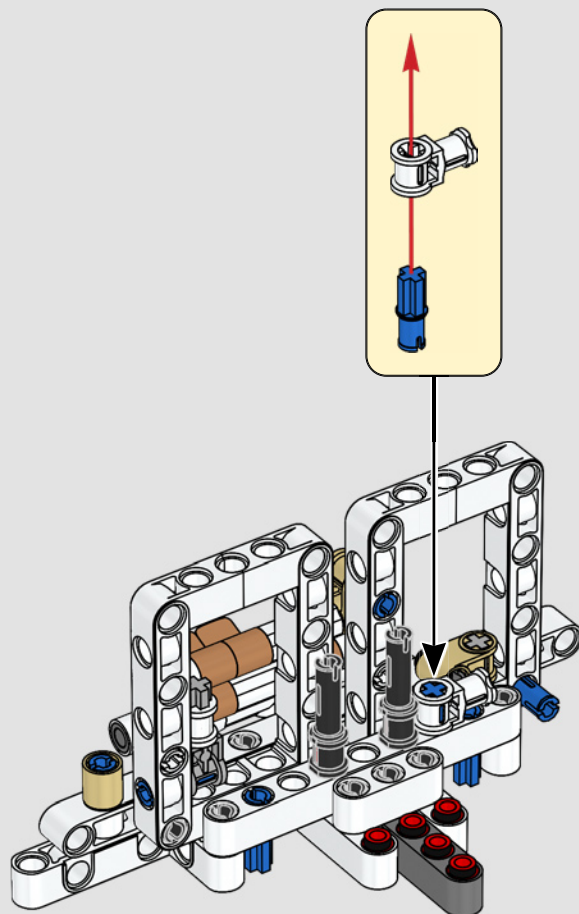


1x

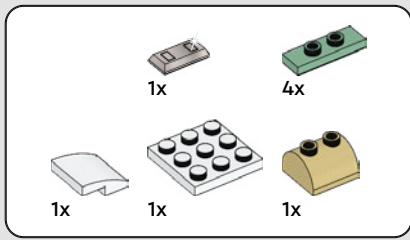


1x

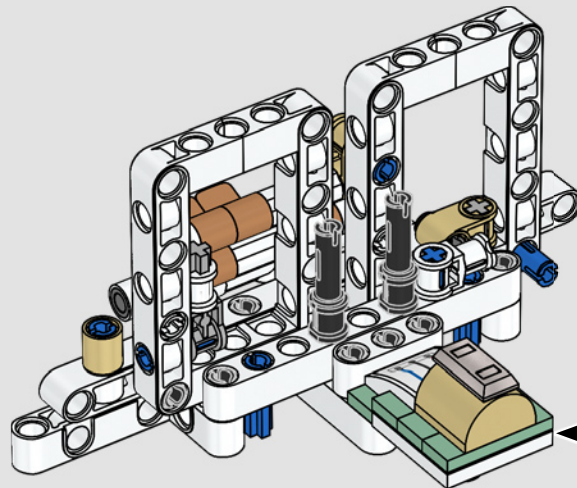
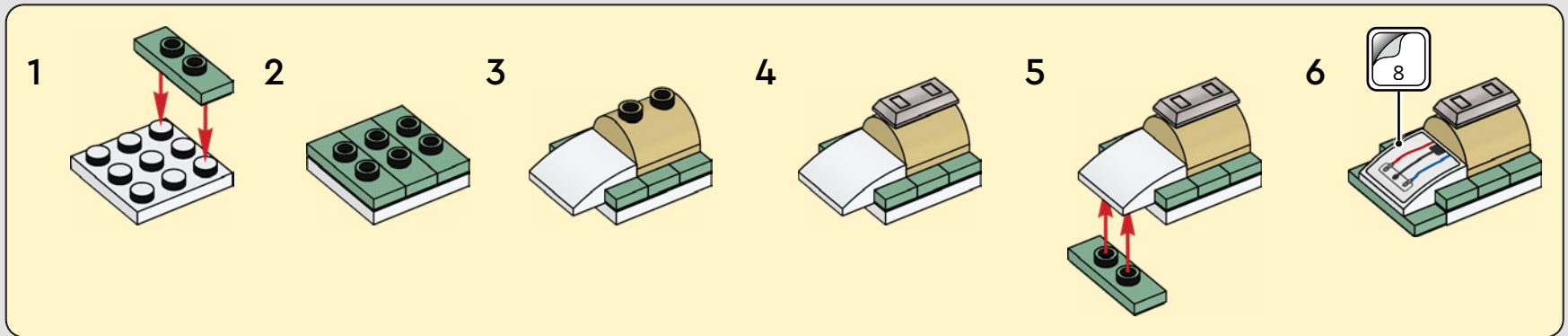
# 297

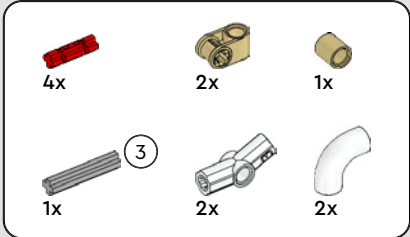
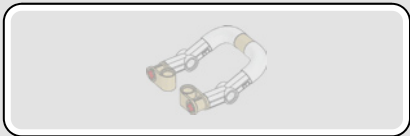




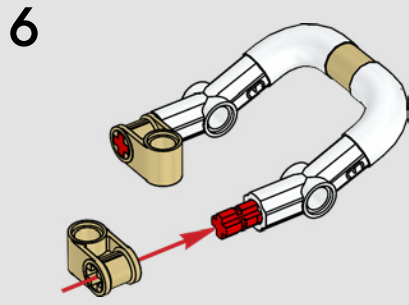
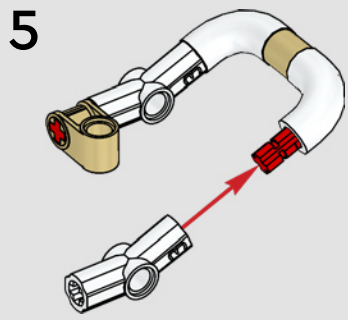
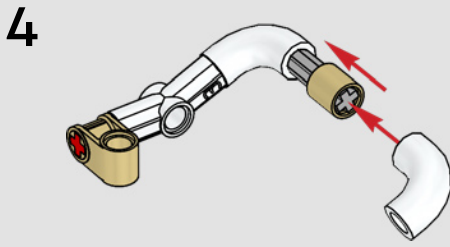
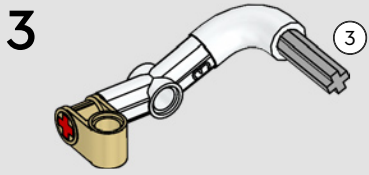
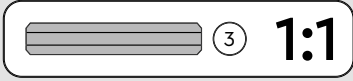
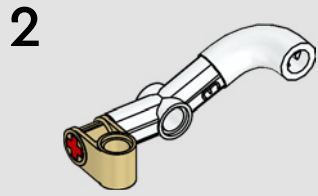
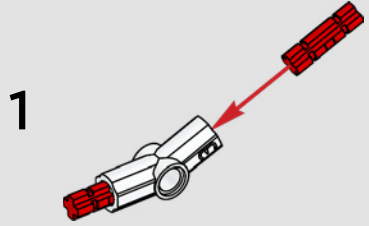


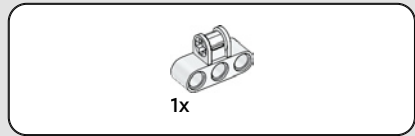
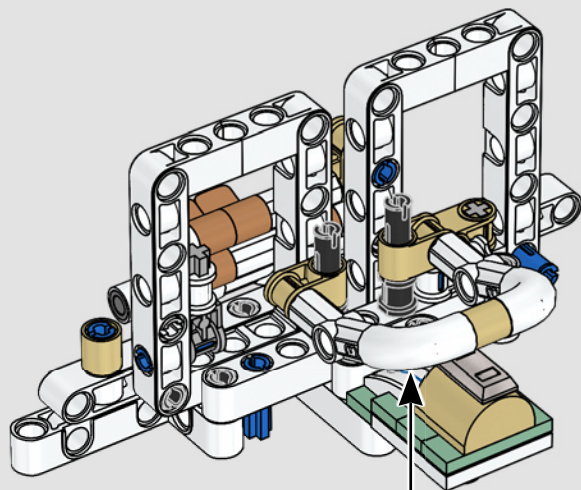
298



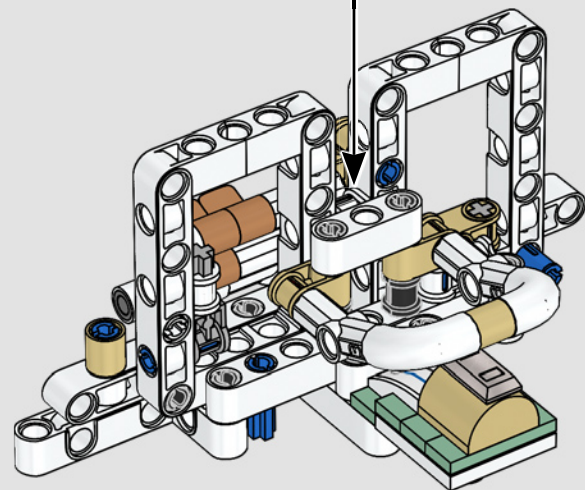


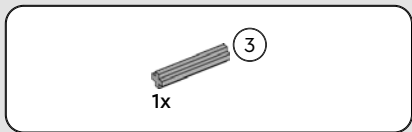
299



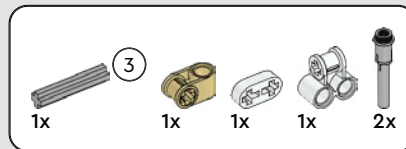
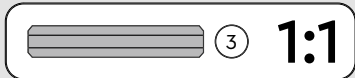
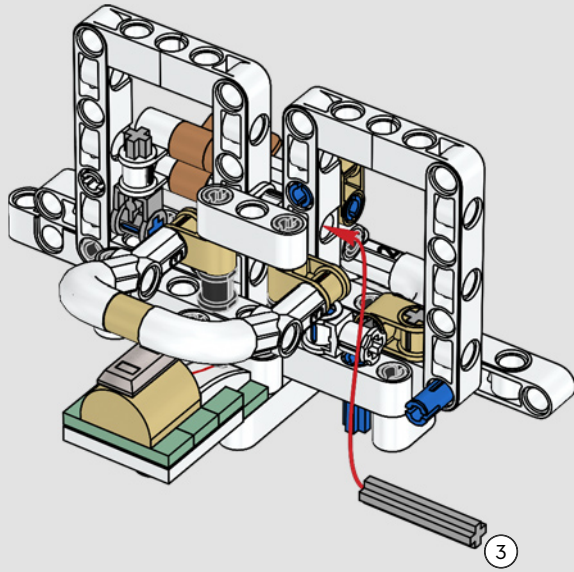


300

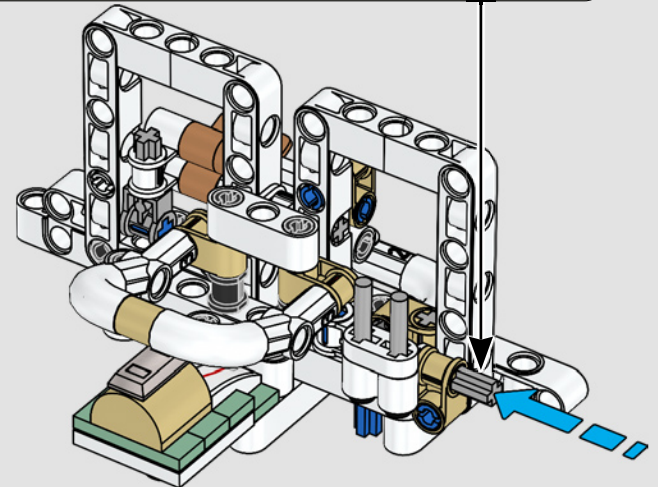
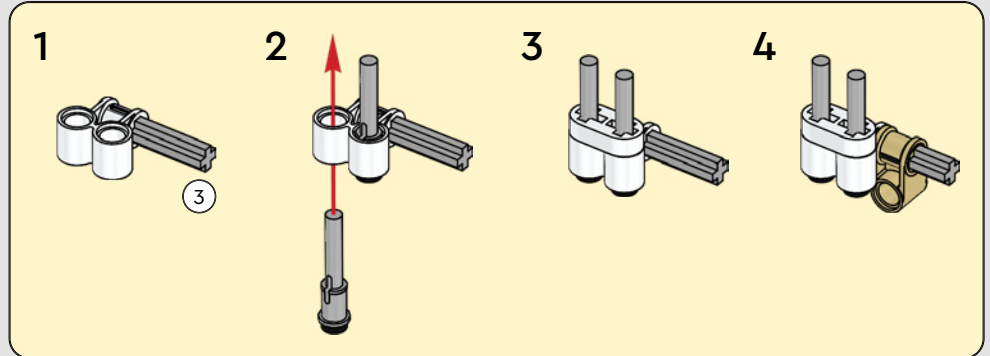


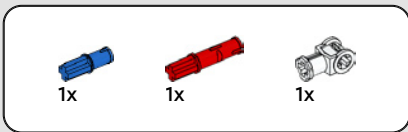


301

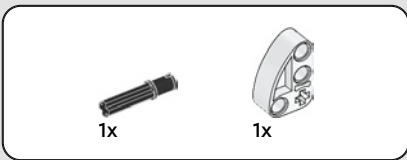
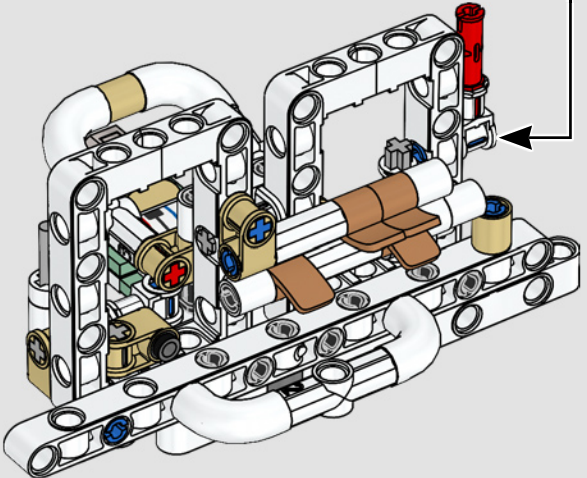
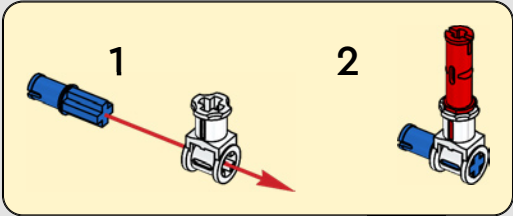


302

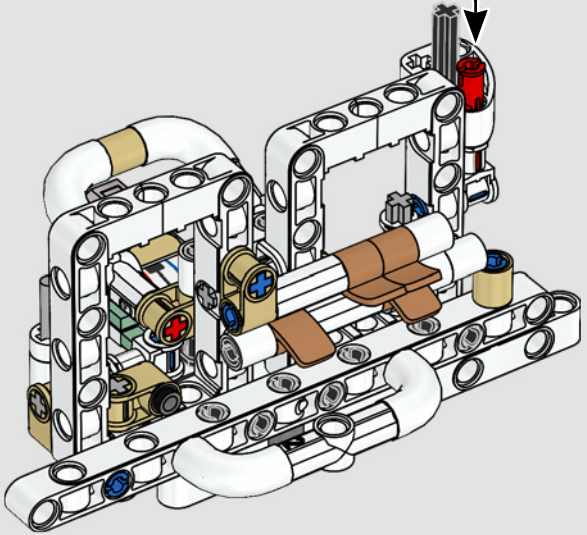
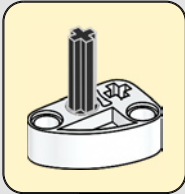


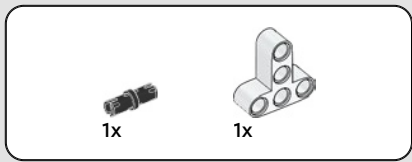


# 303

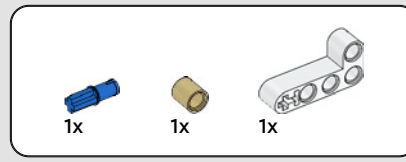
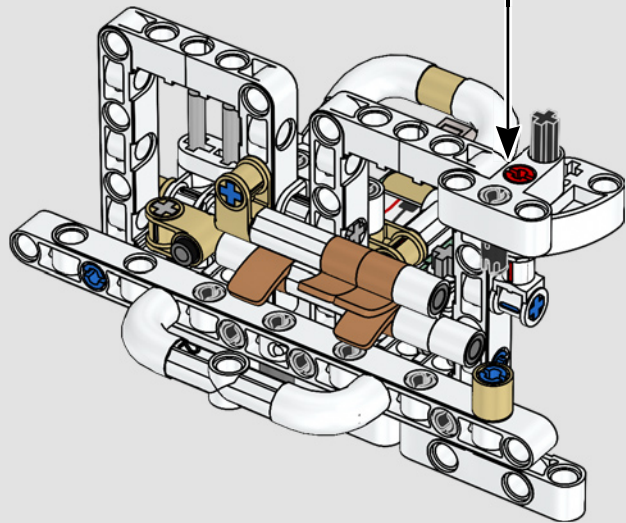
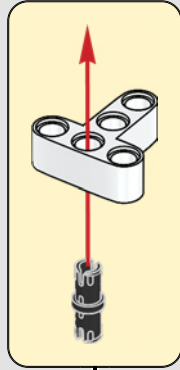


# 304

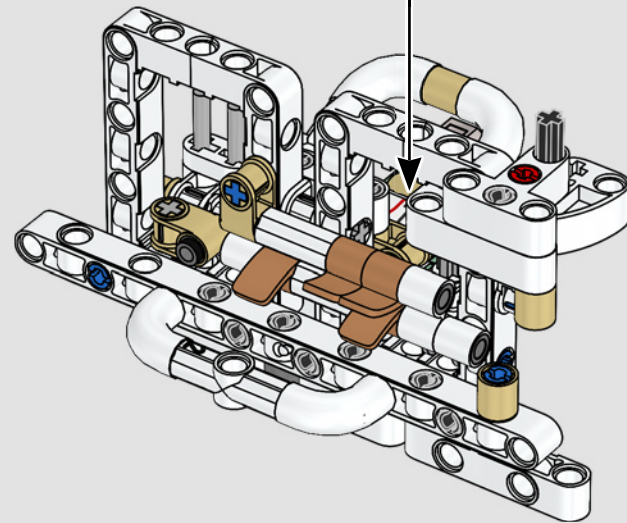
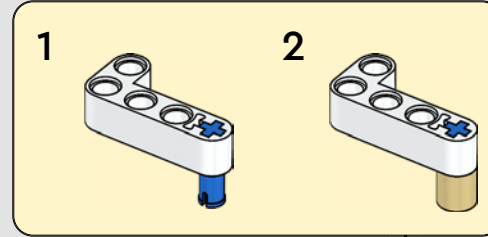


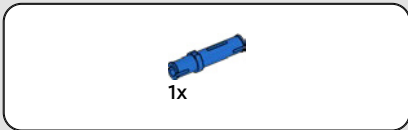


305

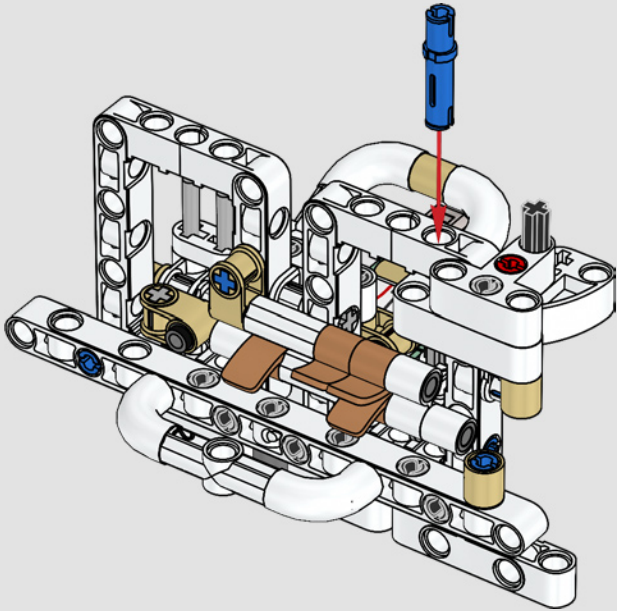


306

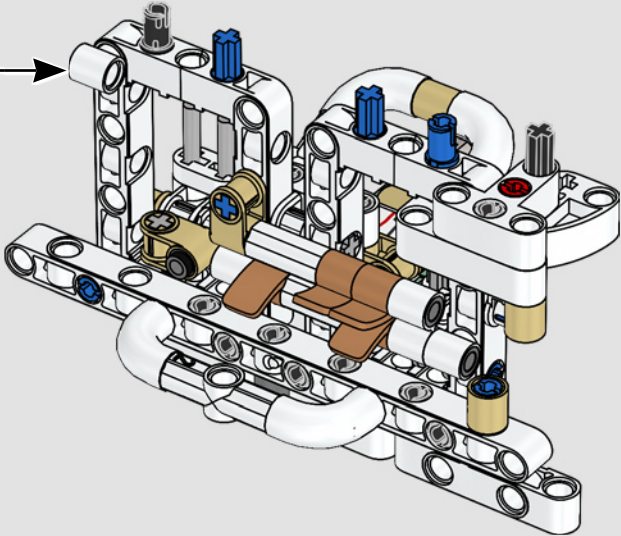




307



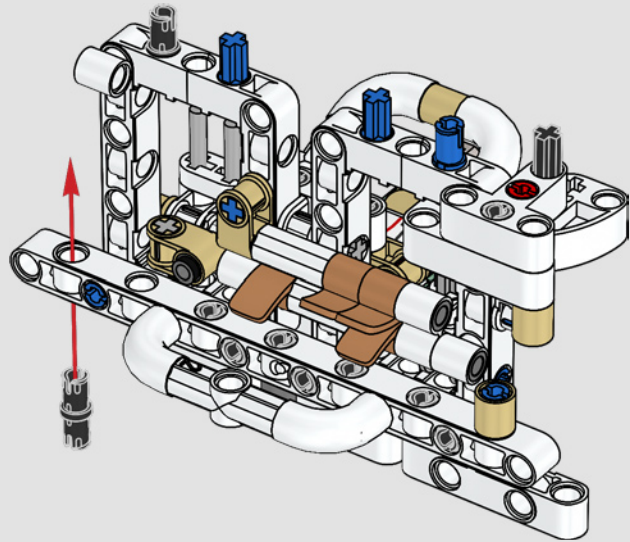
308





1x

# 309

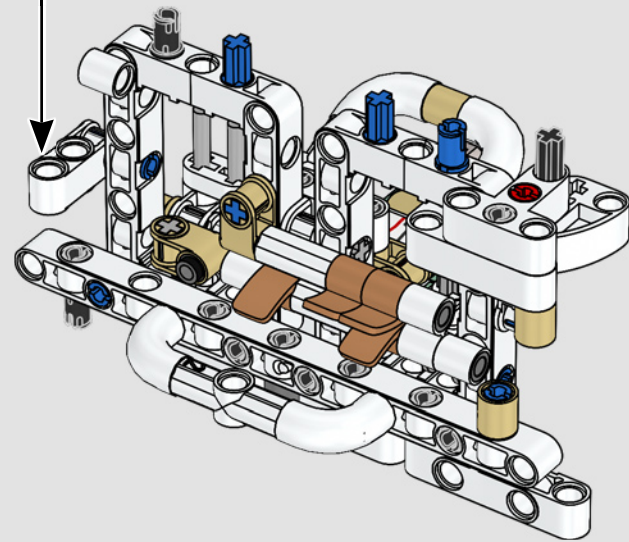
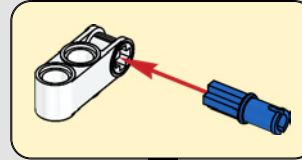


1x

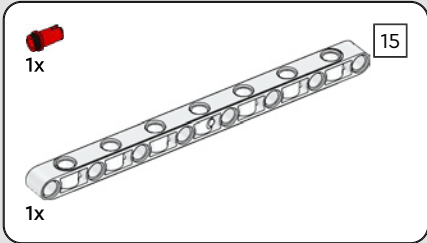
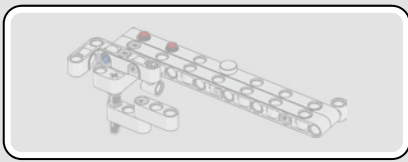


1x

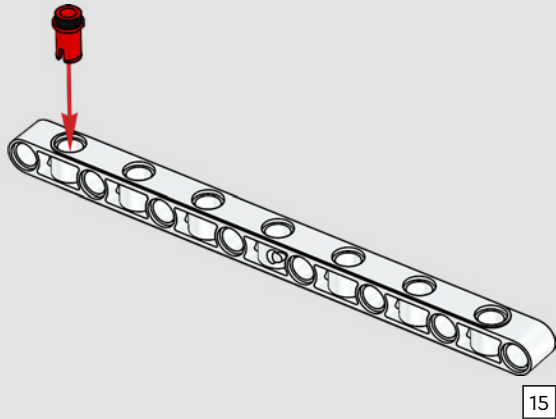
# 310



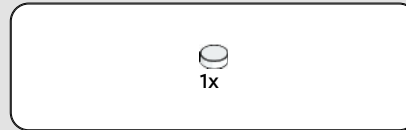
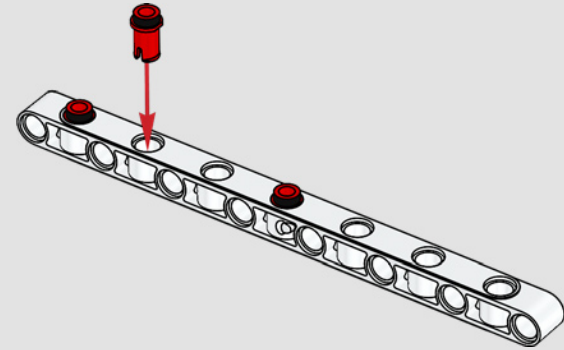




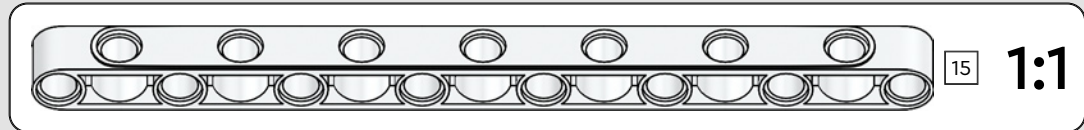
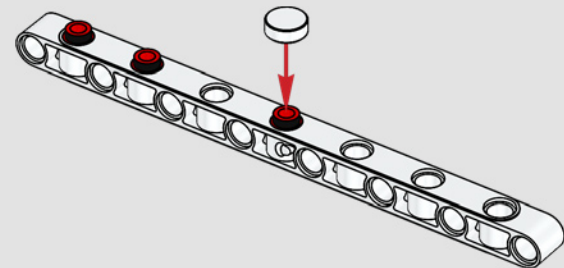
311

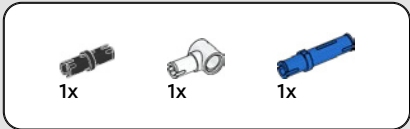


312

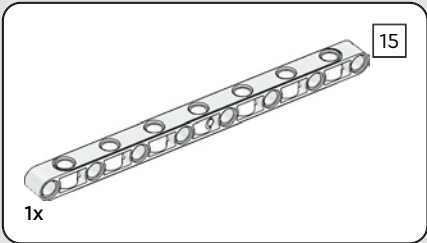


313

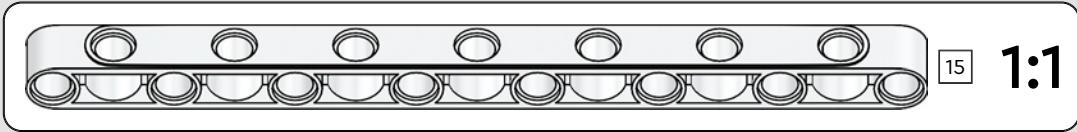
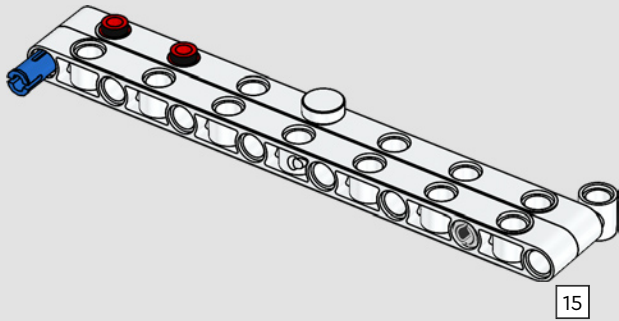
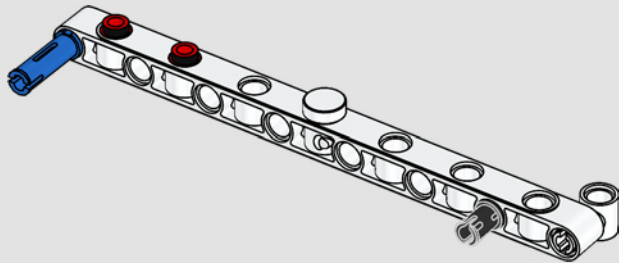




314

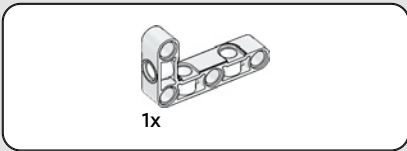
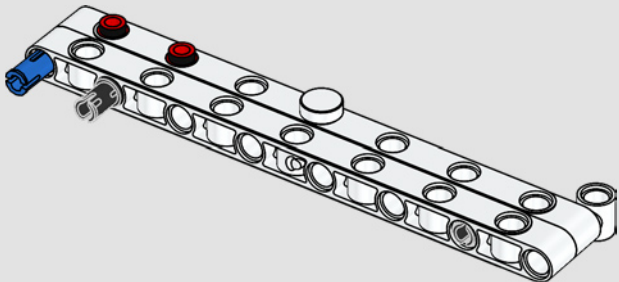


315

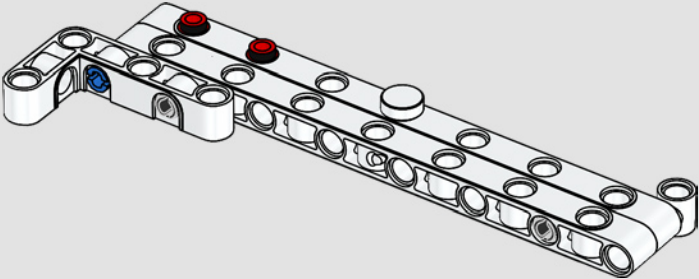




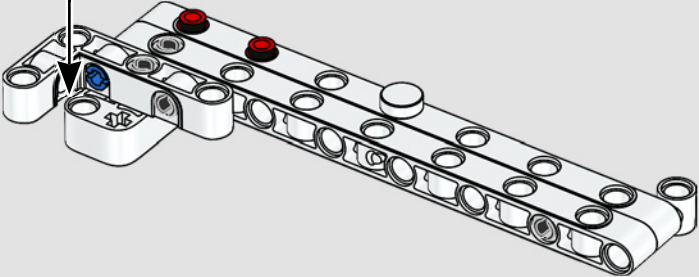
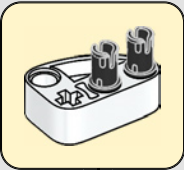
316



317



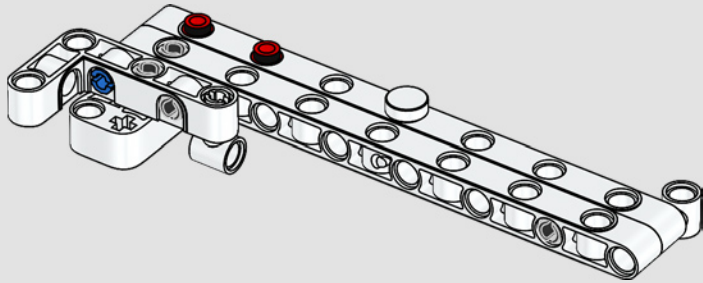
318





1x

319

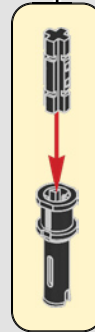
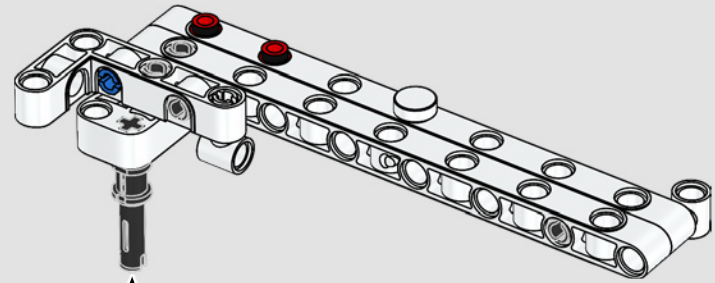


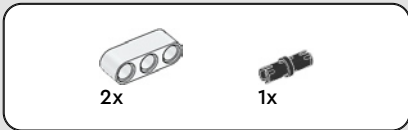
1x



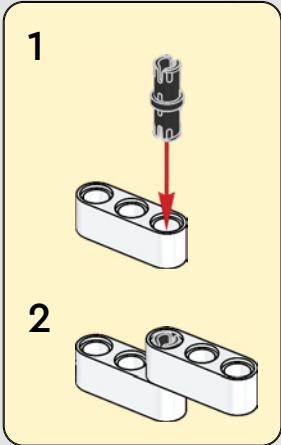
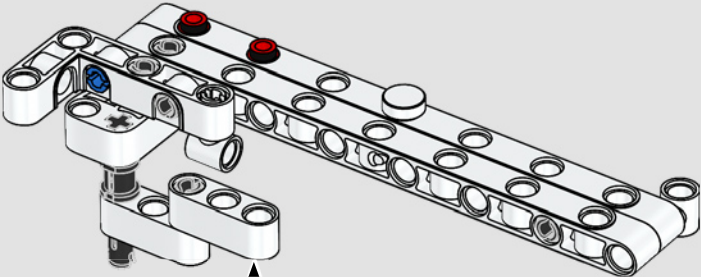
1x

320

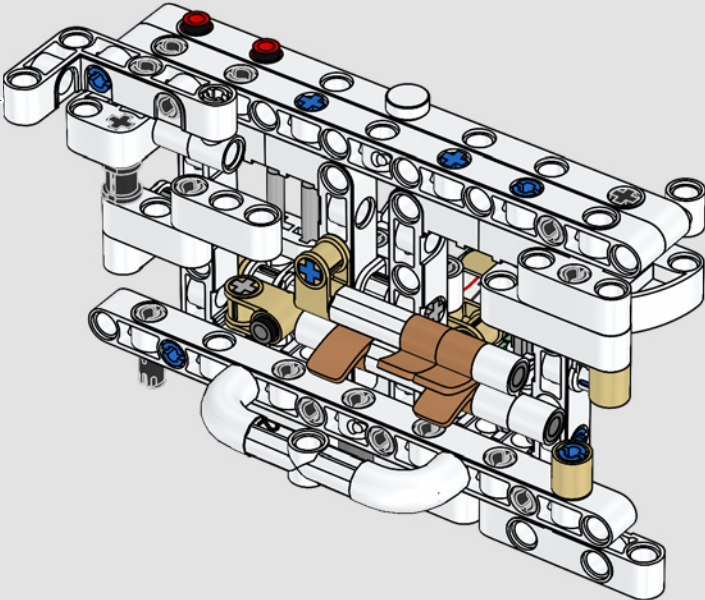


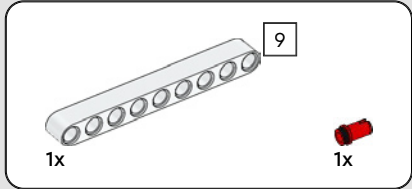
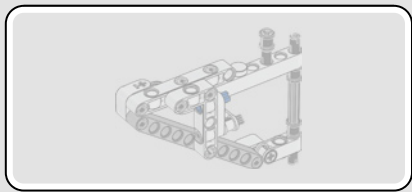


321

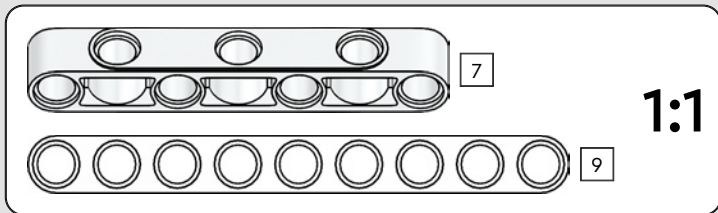
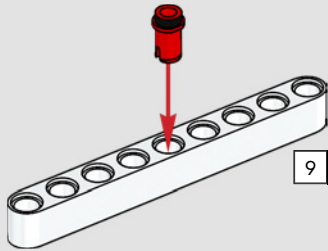


322

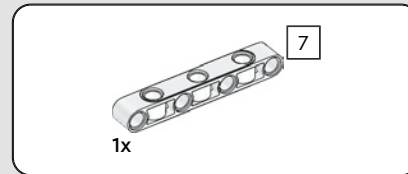
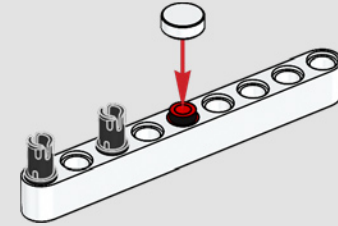




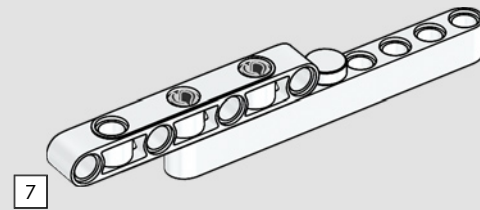
323

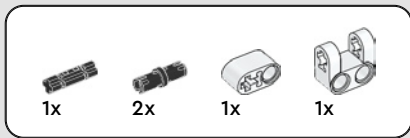


324

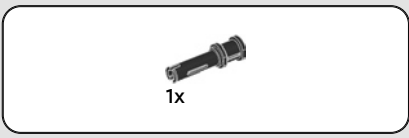
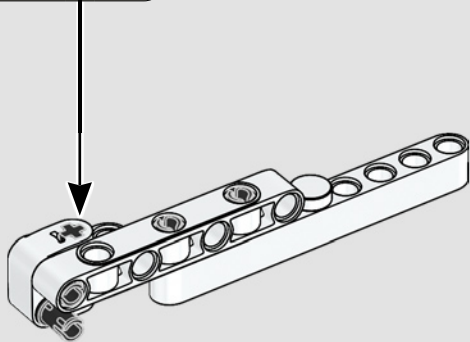
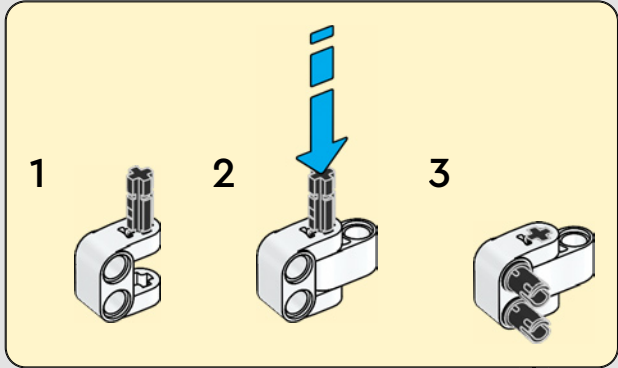


325

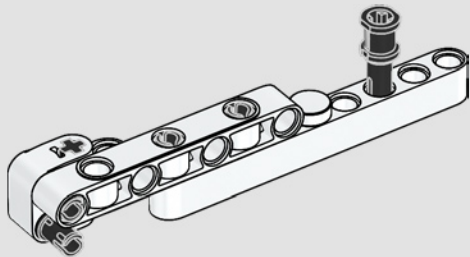


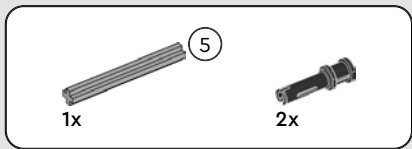


326

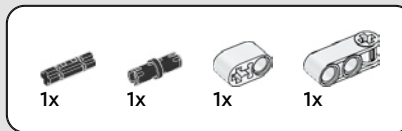
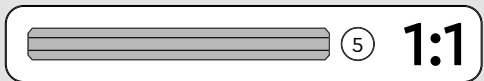
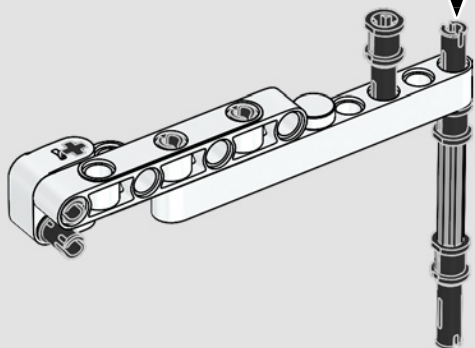
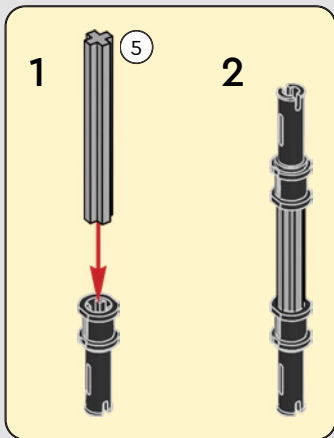


327

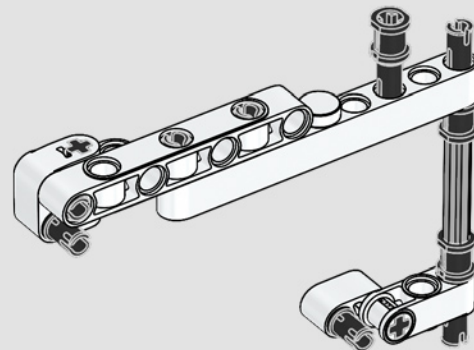
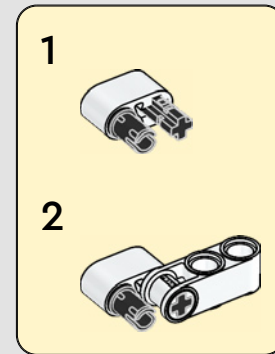




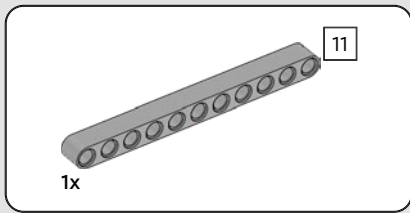
328



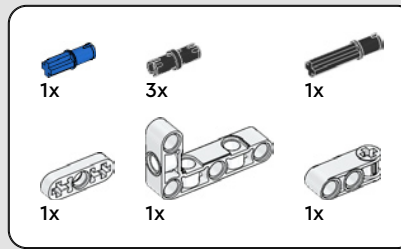
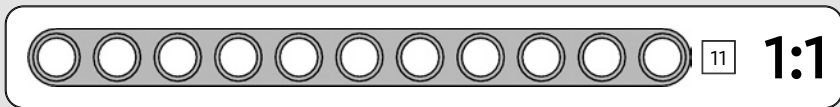
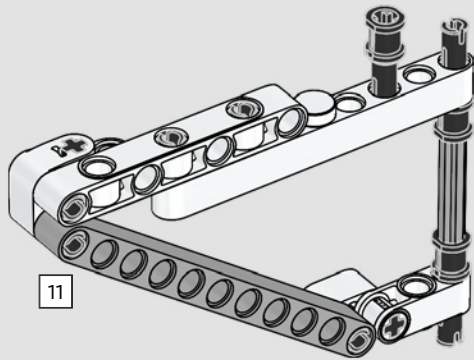
329



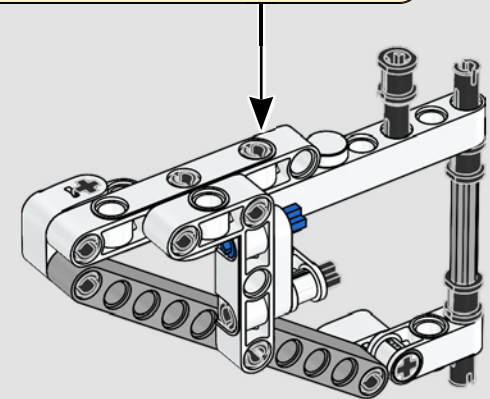
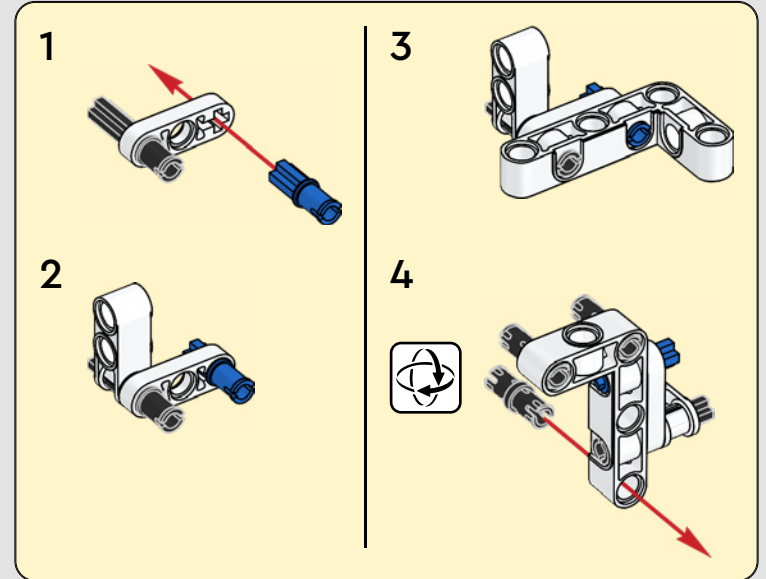




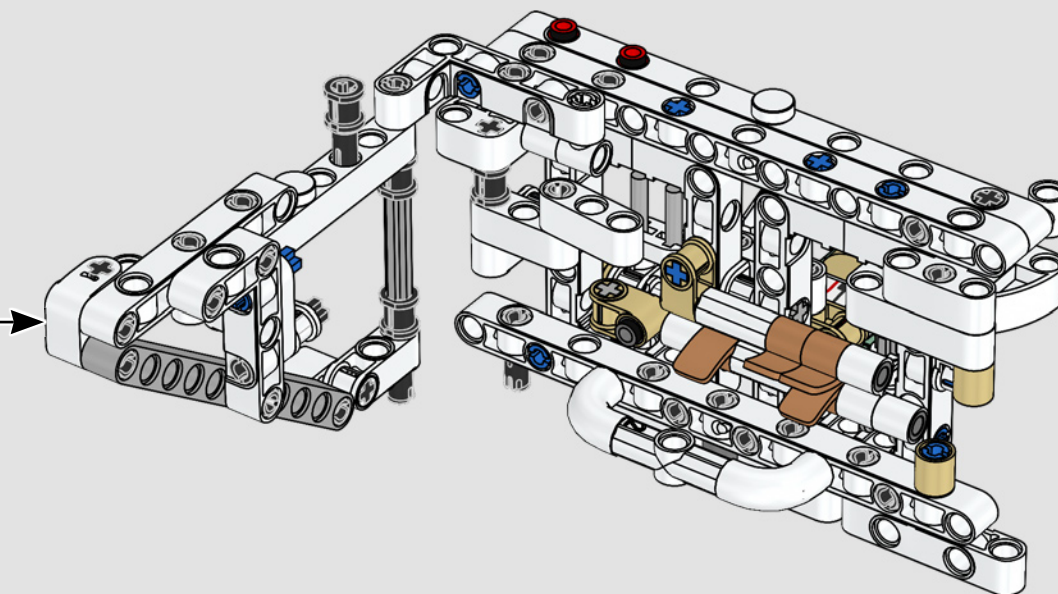
330



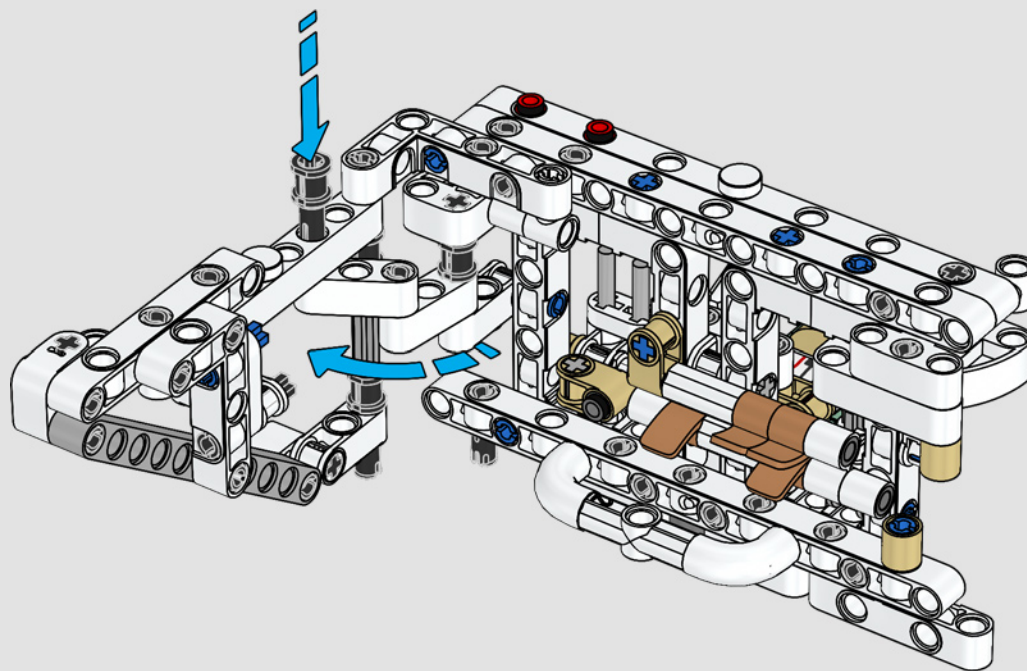
331



332



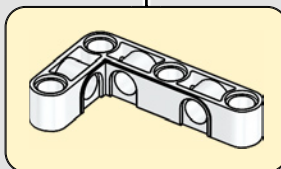
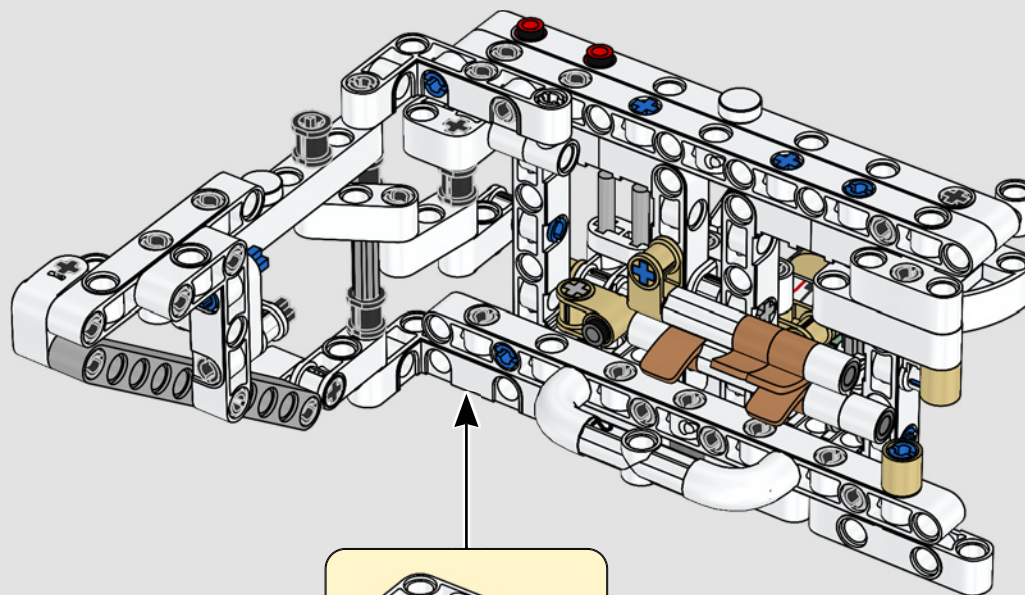
333

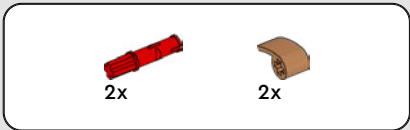




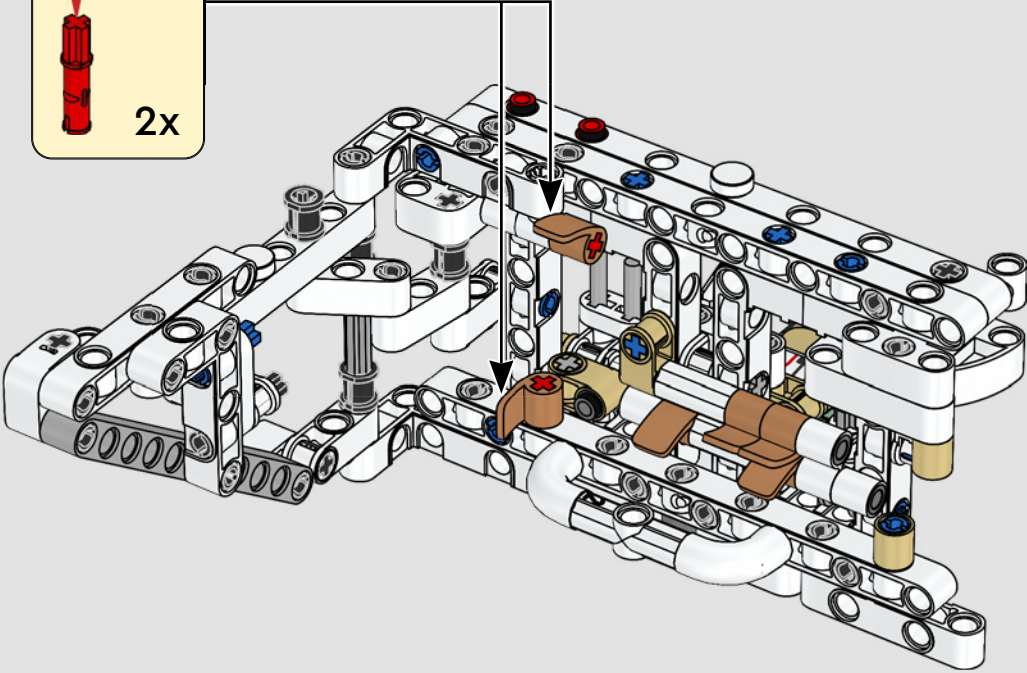
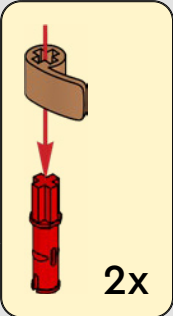
1x

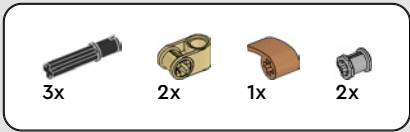
334



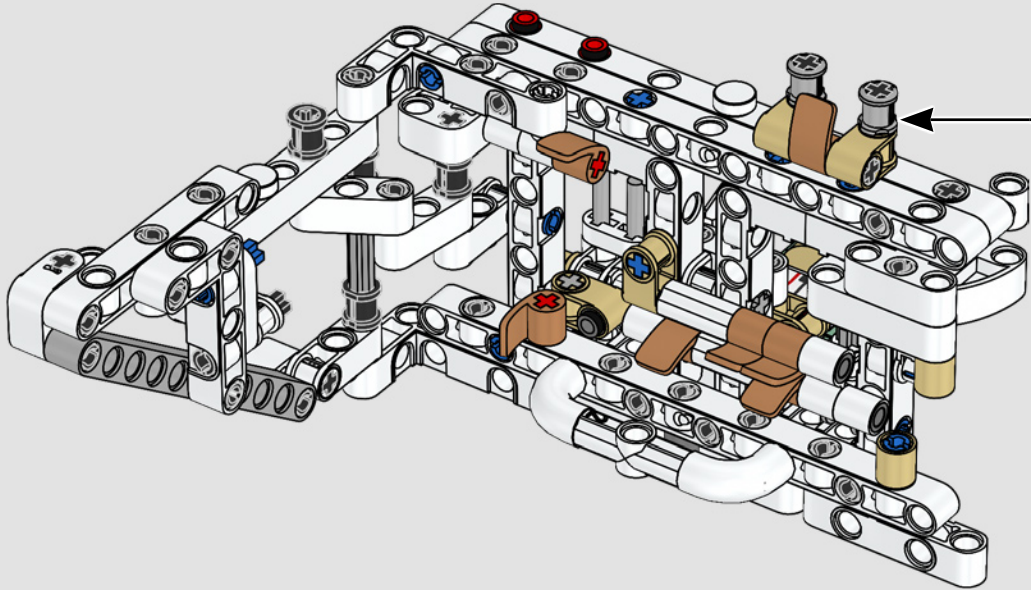
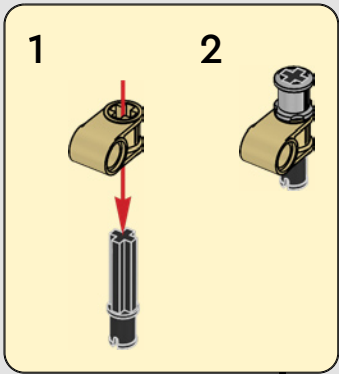


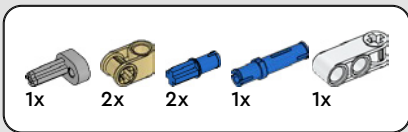
335



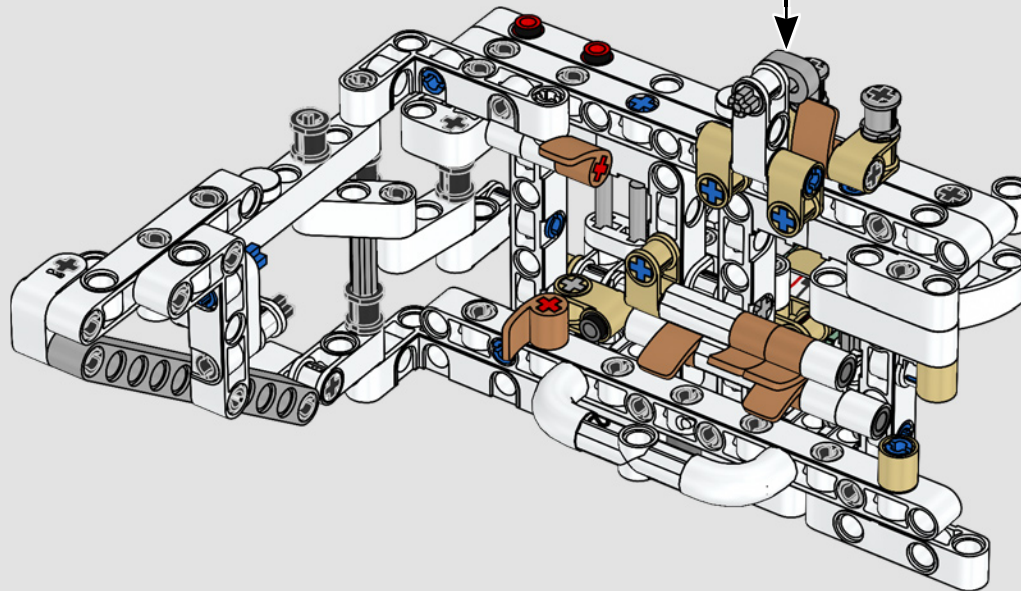
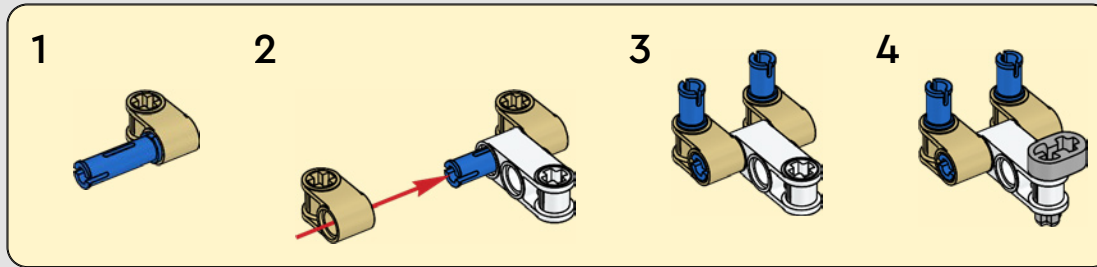


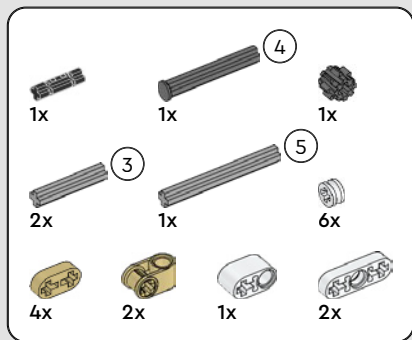
# 336





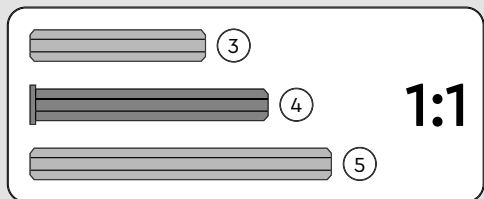
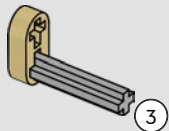
337



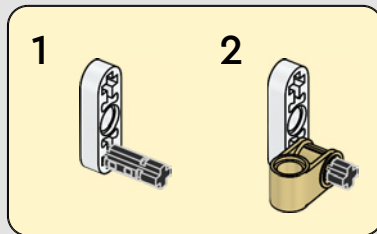
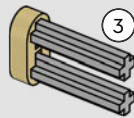


338

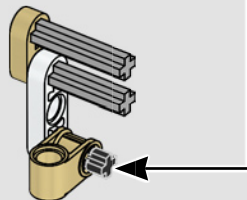
1



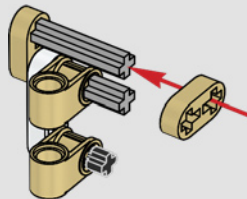
2



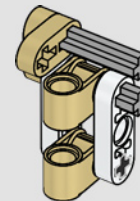
3



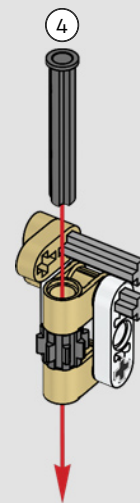
4



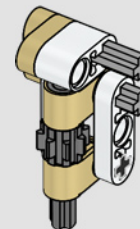
5



6

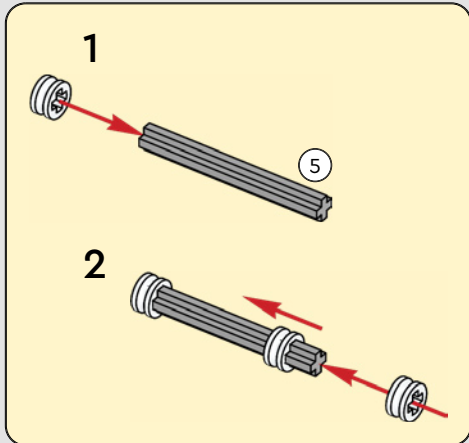
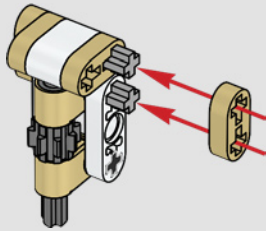


7

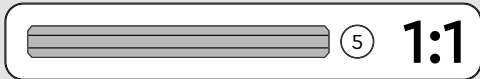
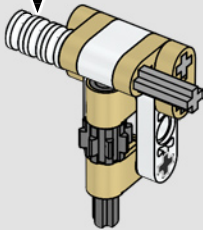




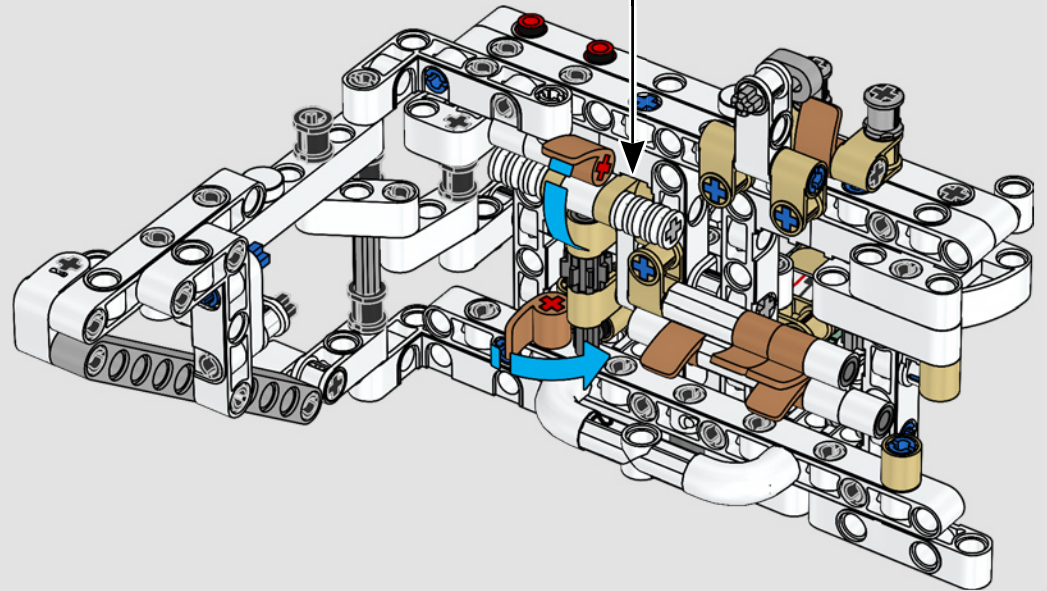
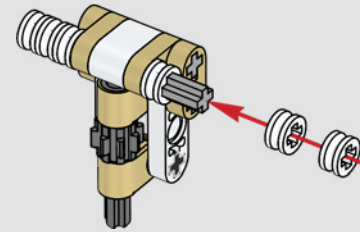
8

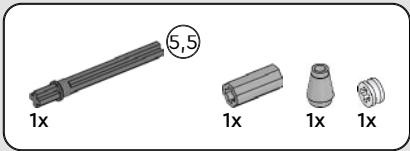


9

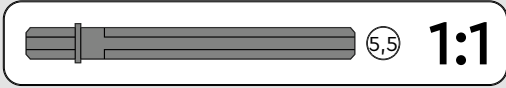
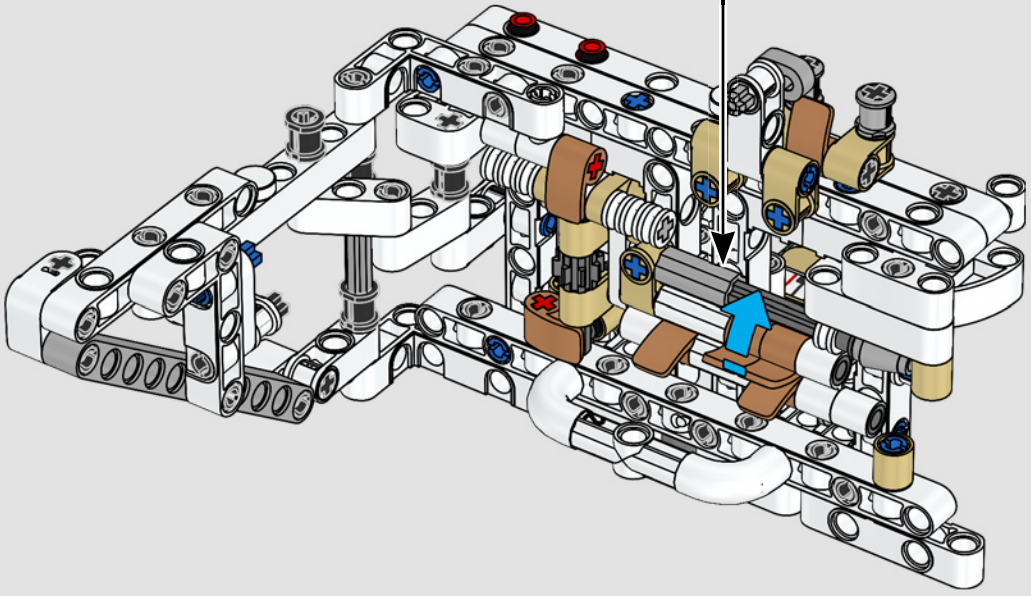
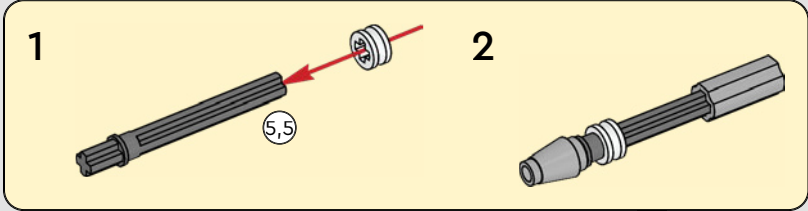


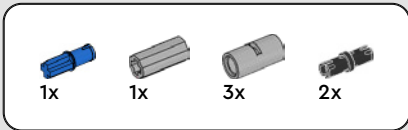
10



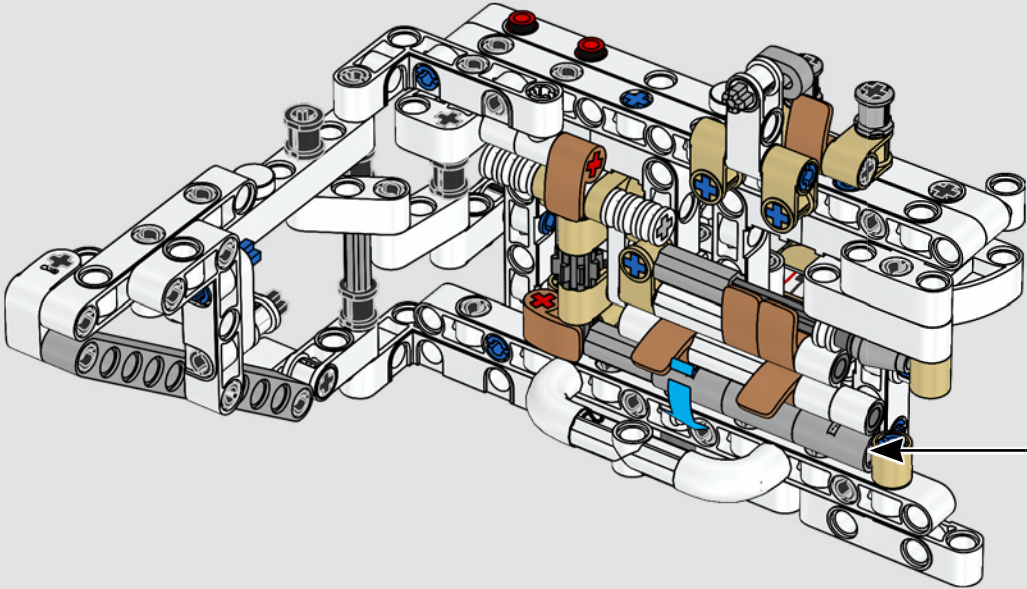
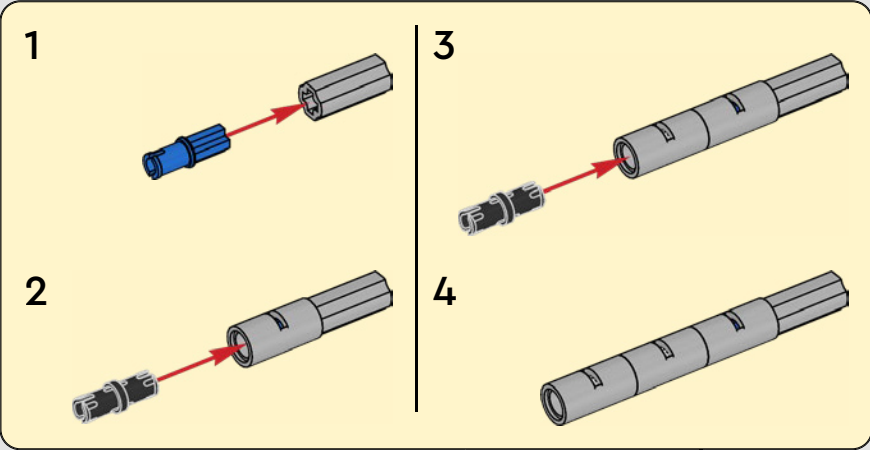


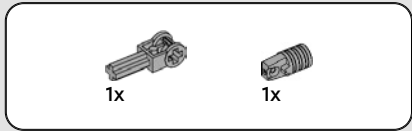
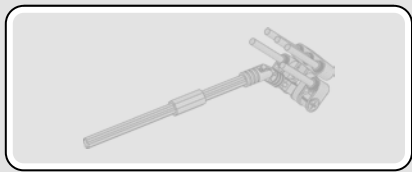
# 339



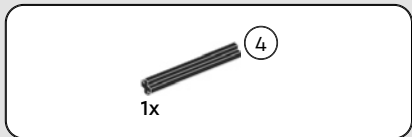
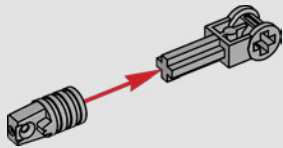


340

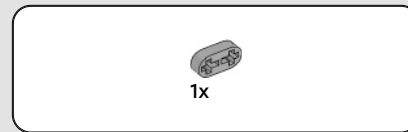
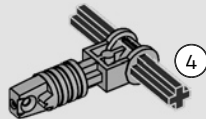




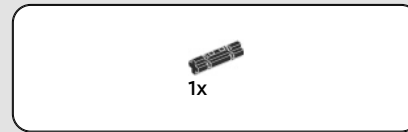
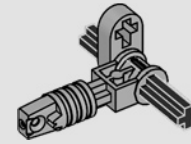
341



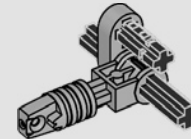
342

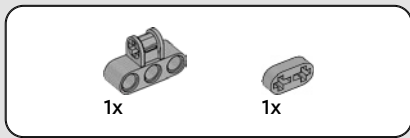


343

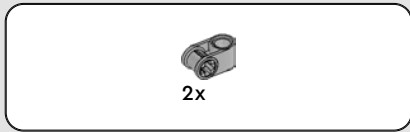
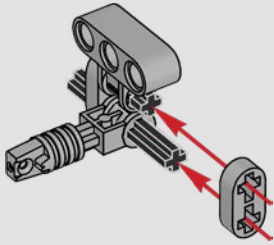


344

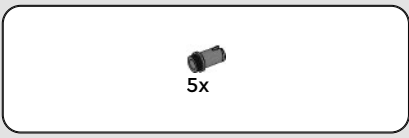
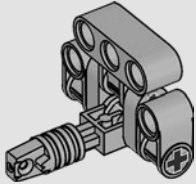




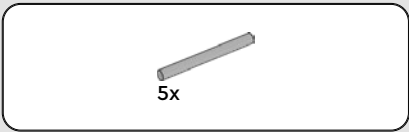
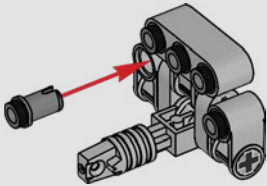
345



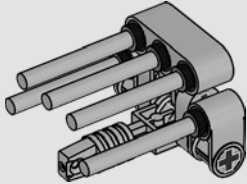
346

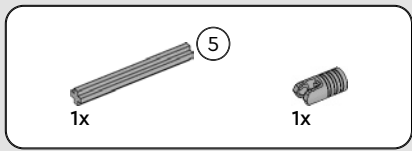


347

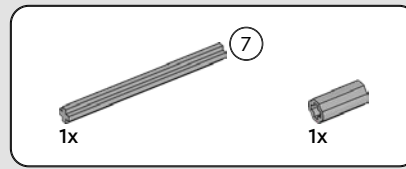
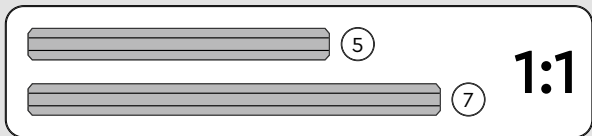
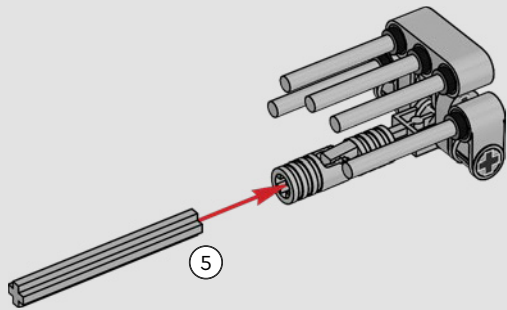


348

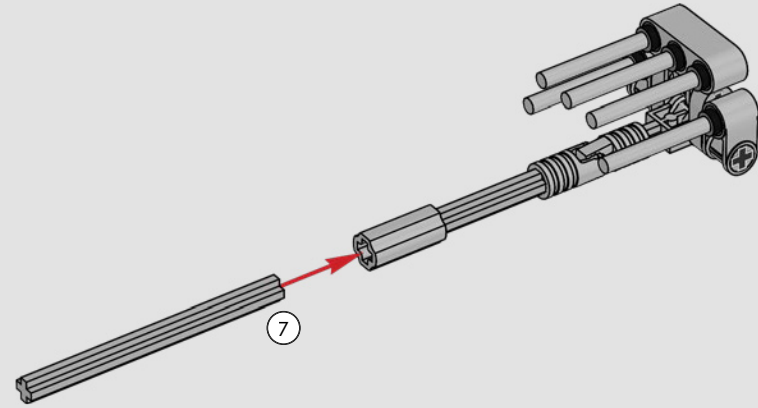




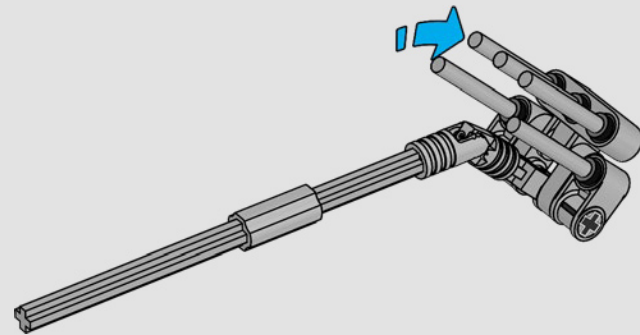
349



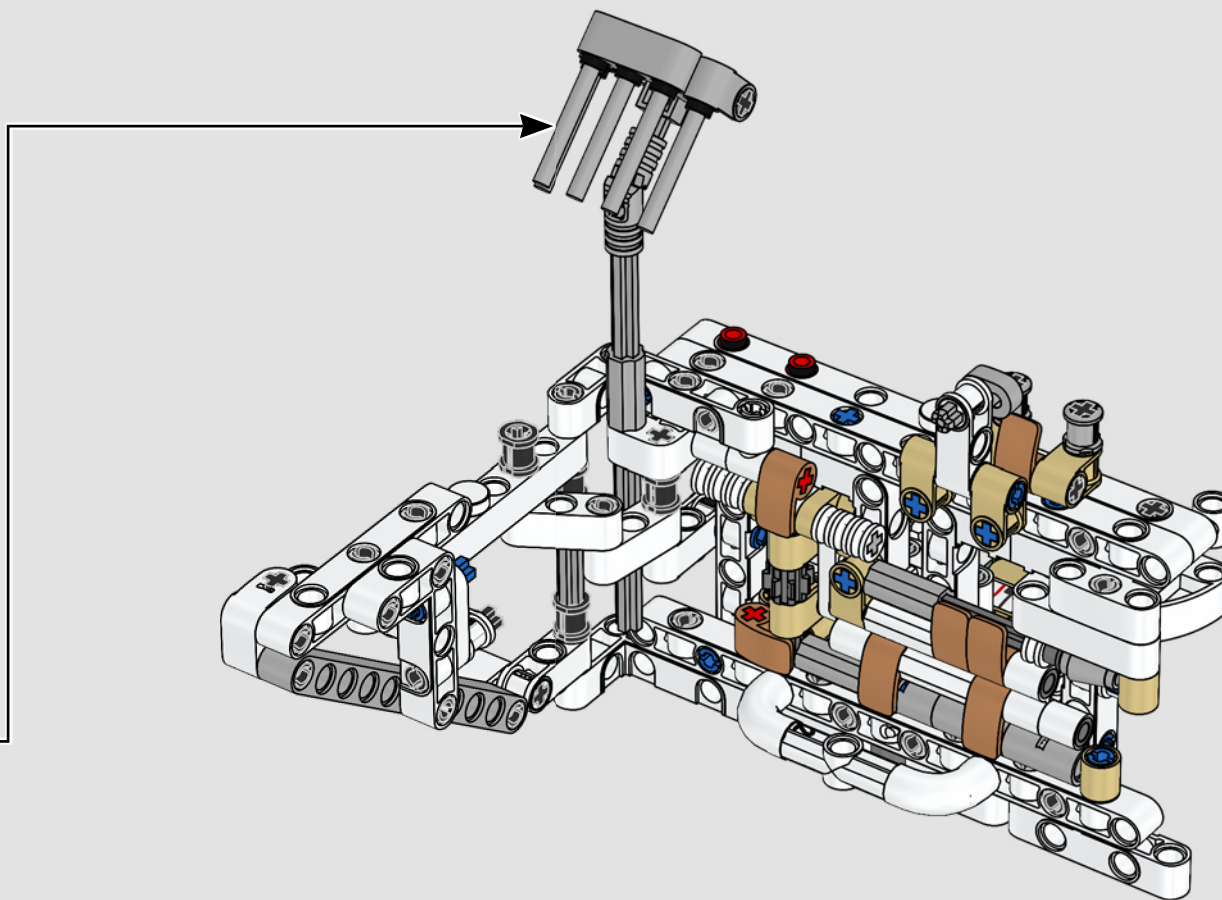
350

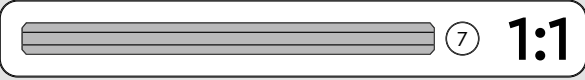
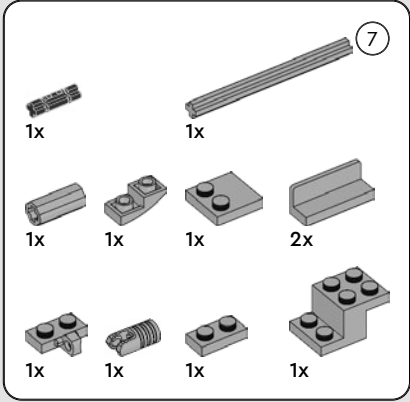
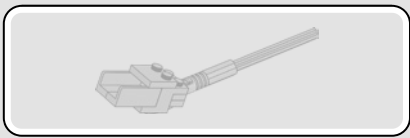


351

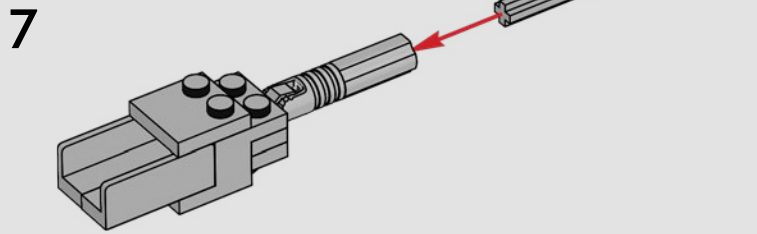
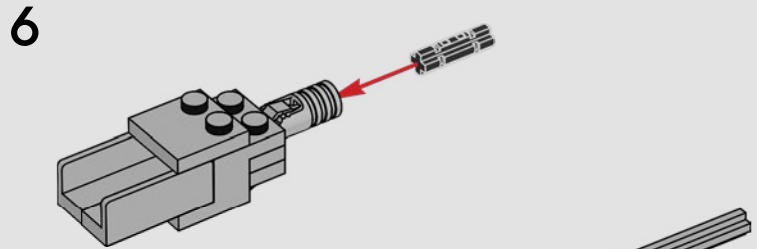
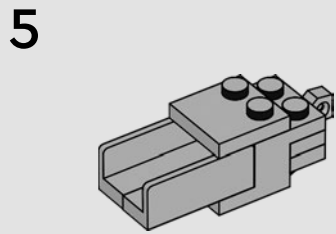
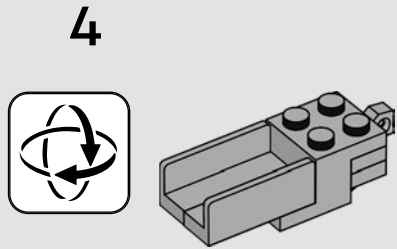
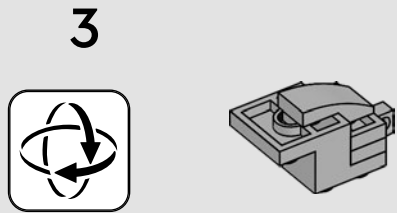
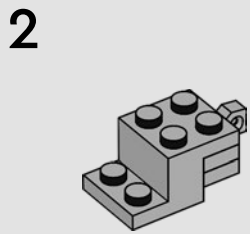
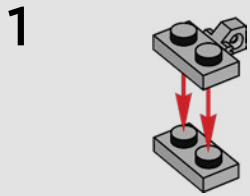


352

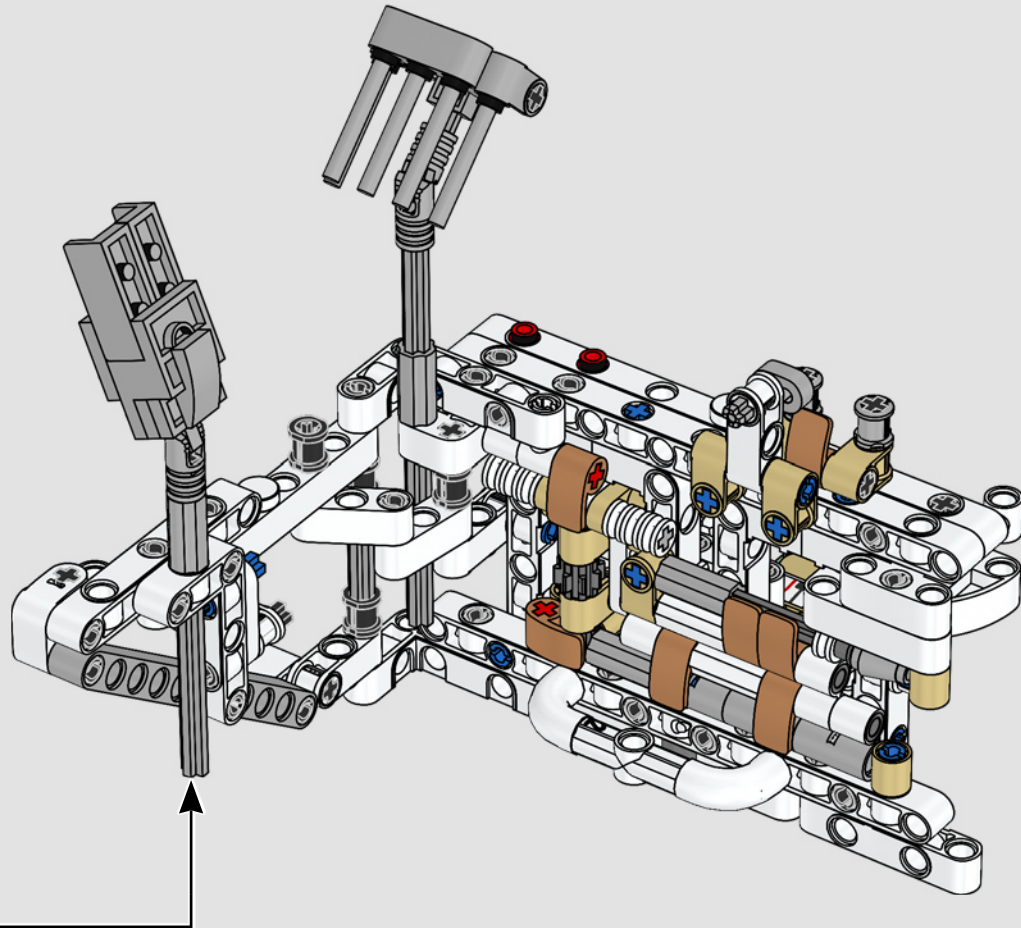


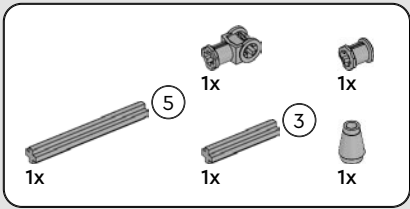


# 353

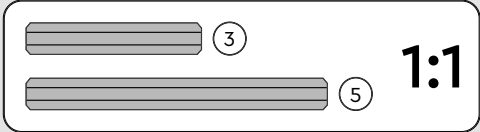
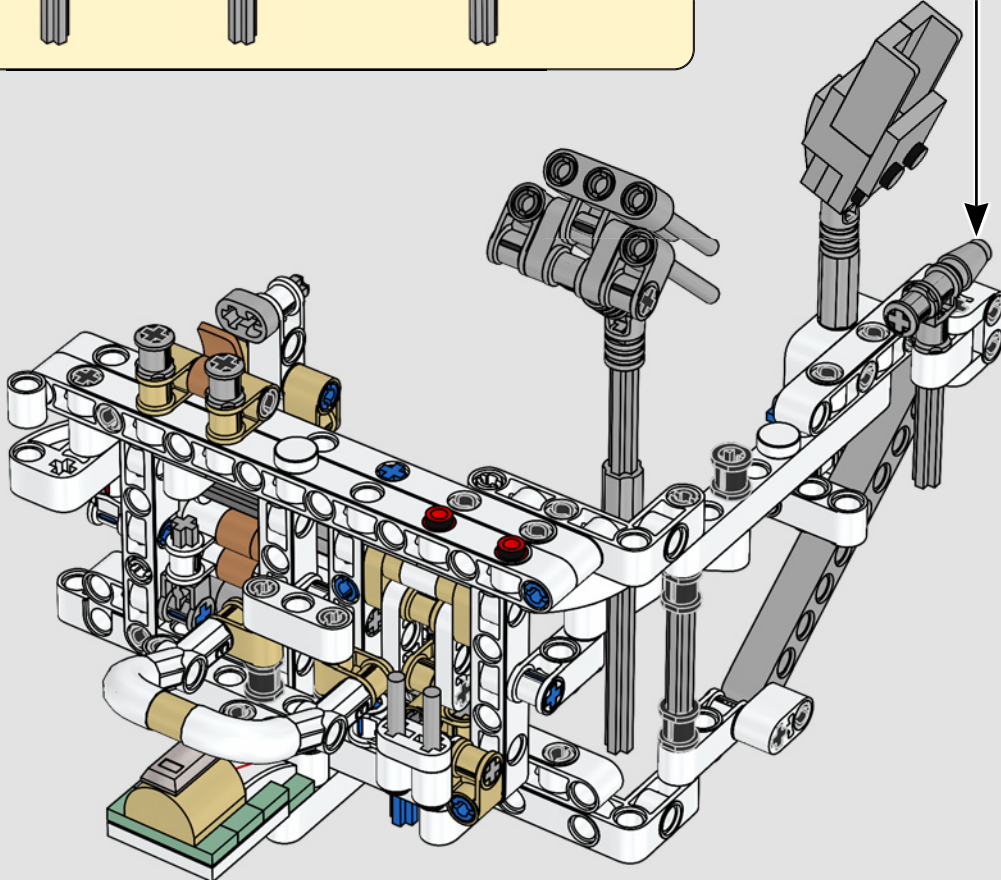
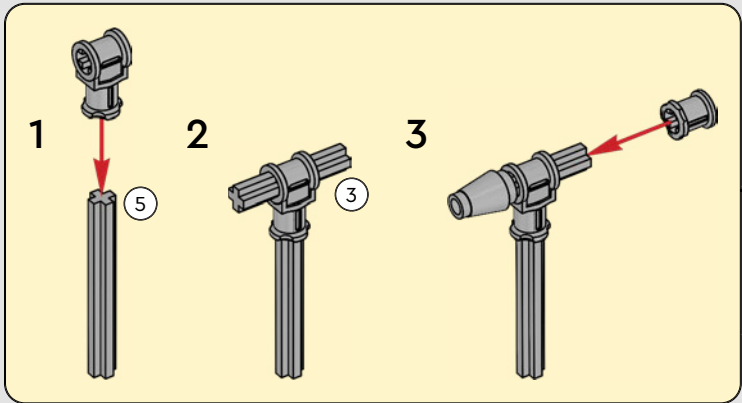


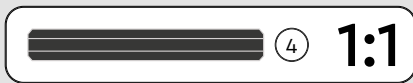
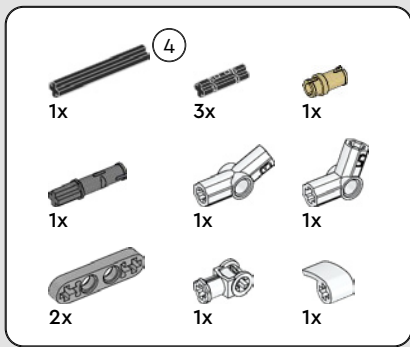




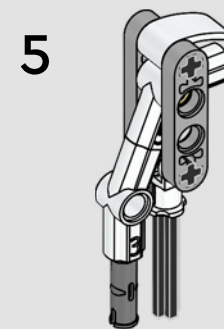
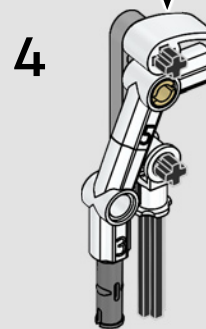
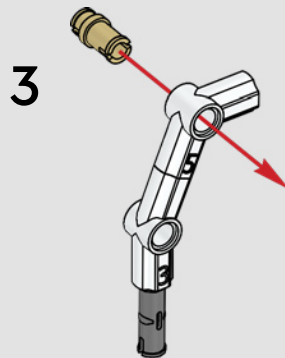
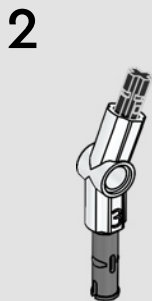
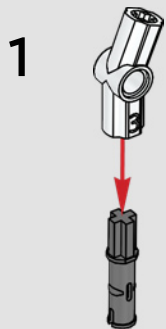
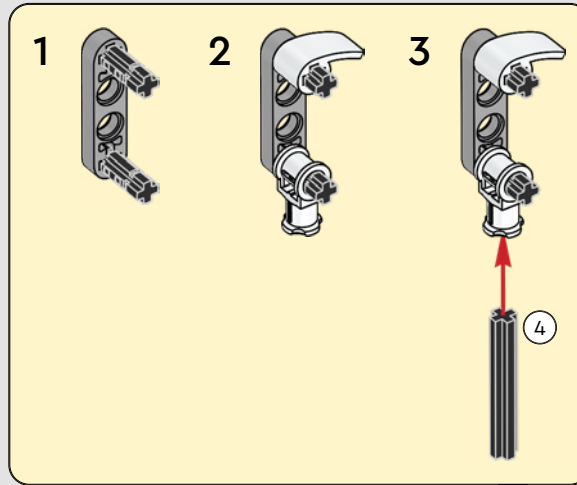


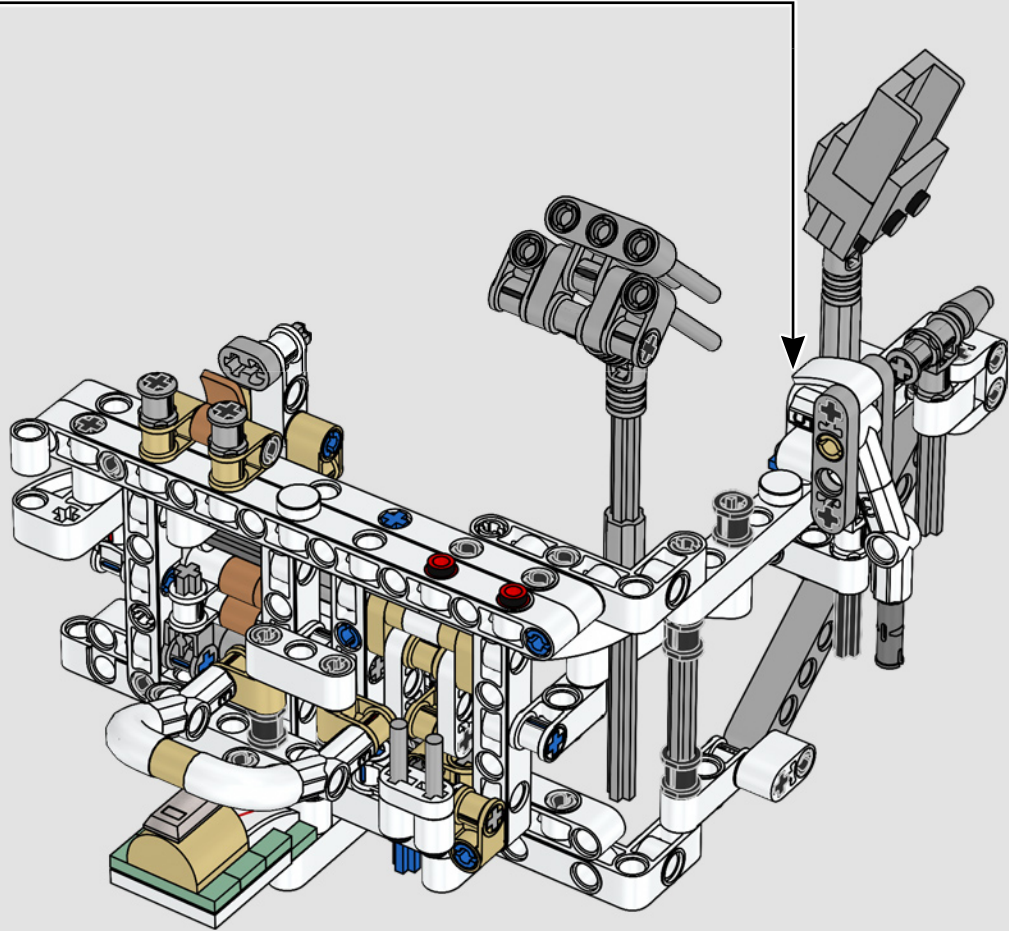
354

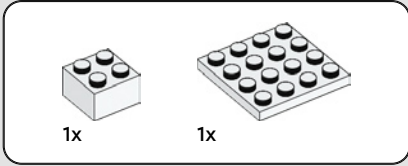




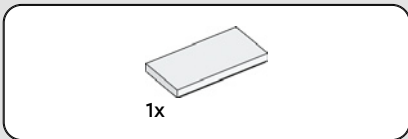
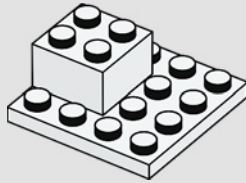
355



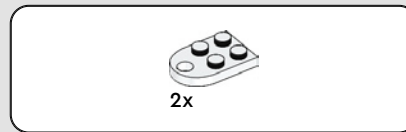
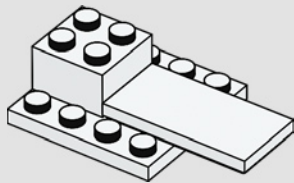




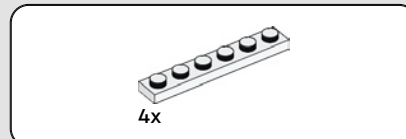
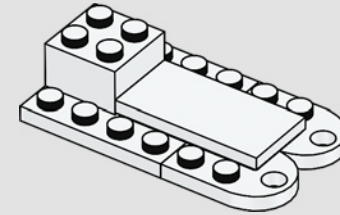
356



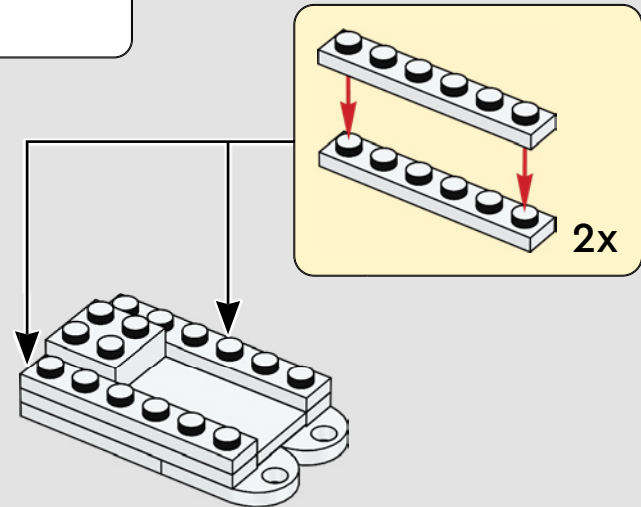
357



358



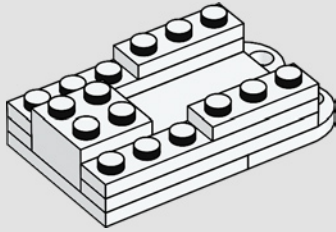
359





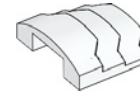
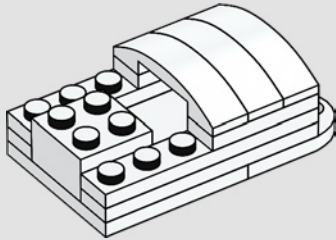
2x

# 360



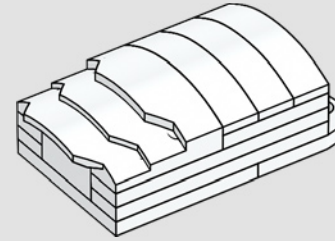
3x

# 361



1x

# 362

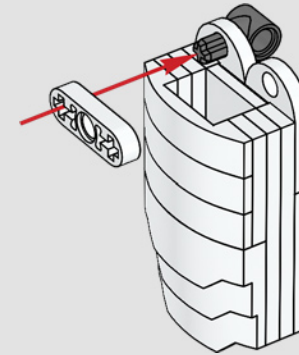
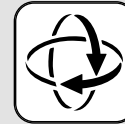


1x



1x

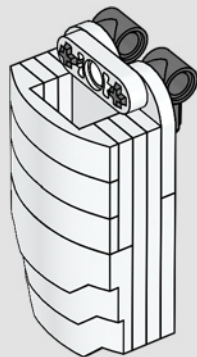
# 363





1x

# 364



2x



2x

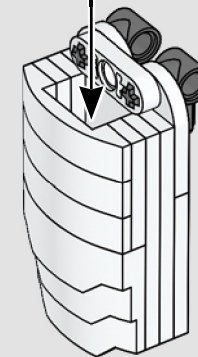
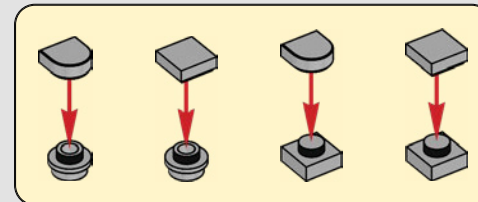


2x



2x

# 365





2x



2x

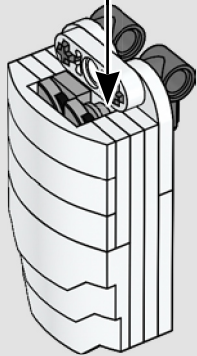
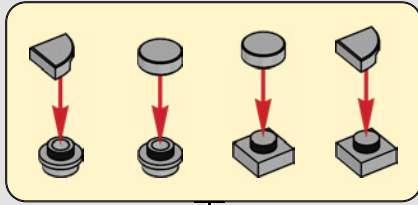


2x

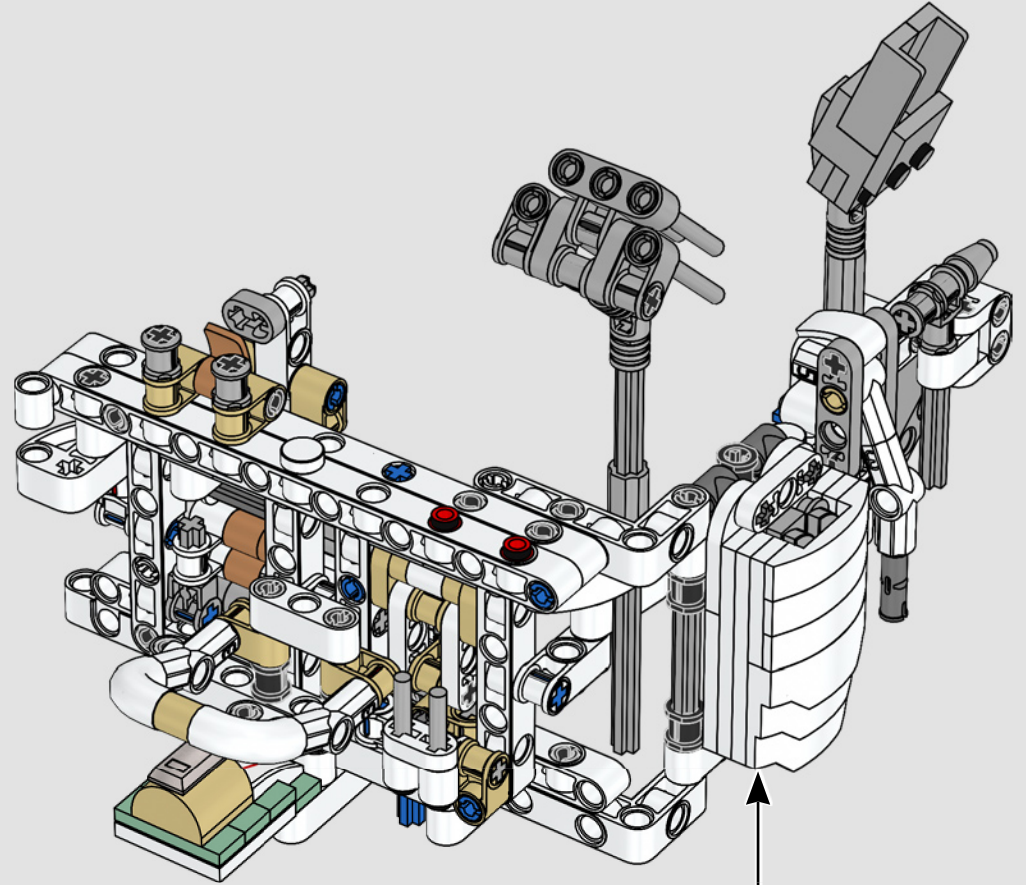


2x

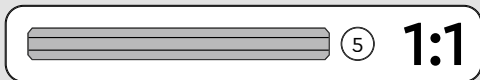
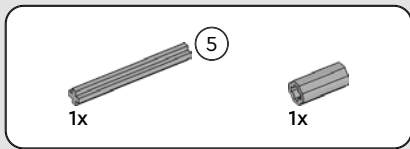
# 366



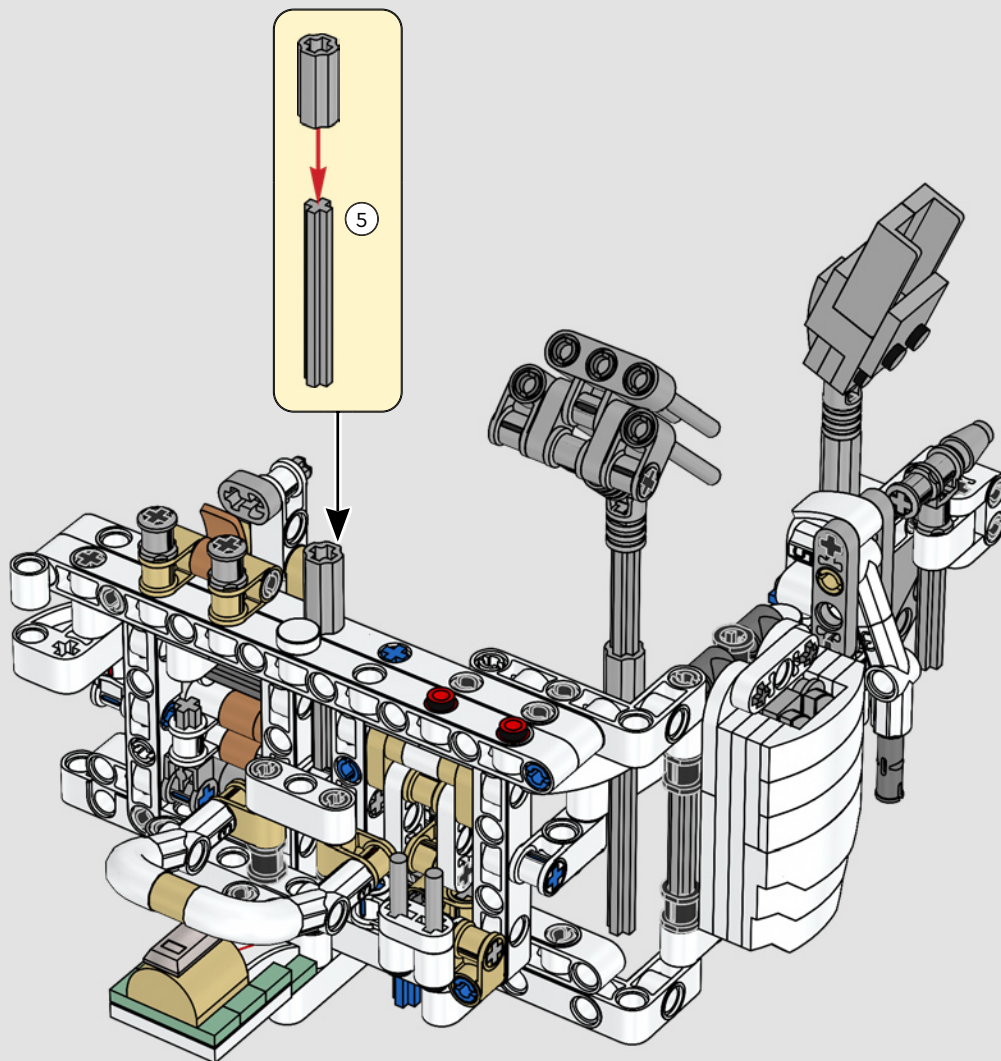
# 367

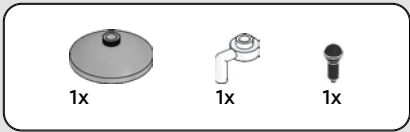




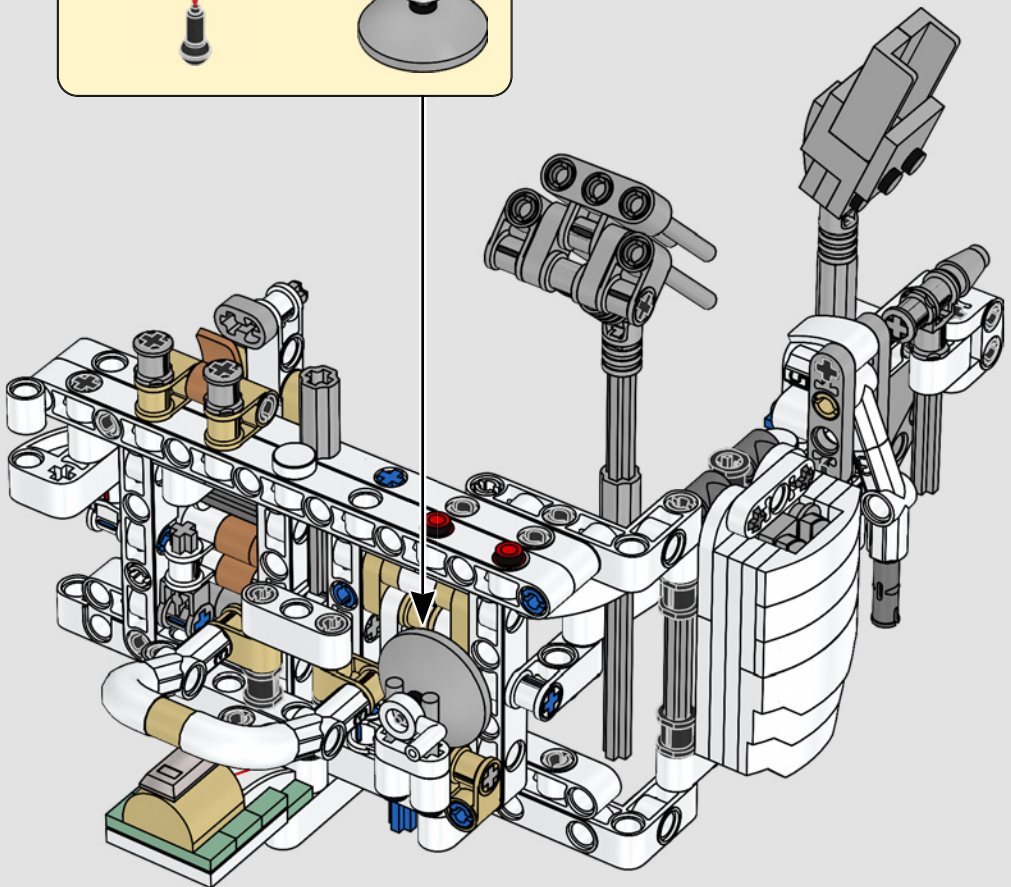
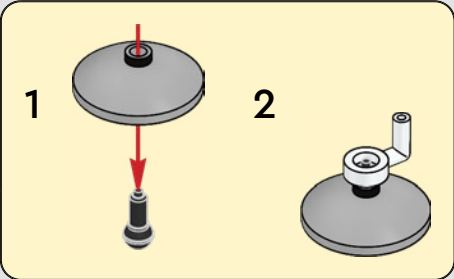


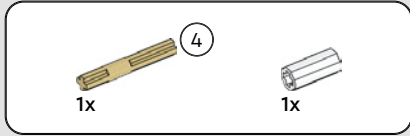
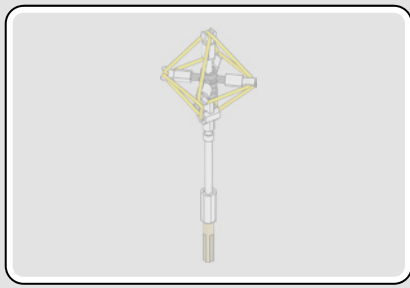
368



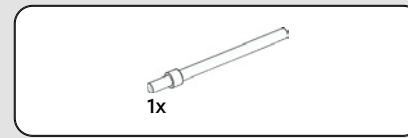
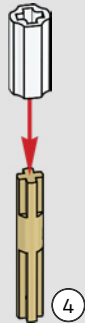
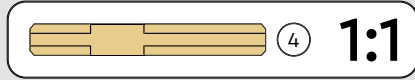


369

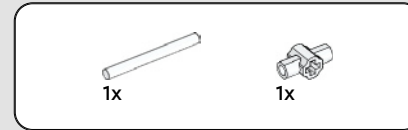




370



371



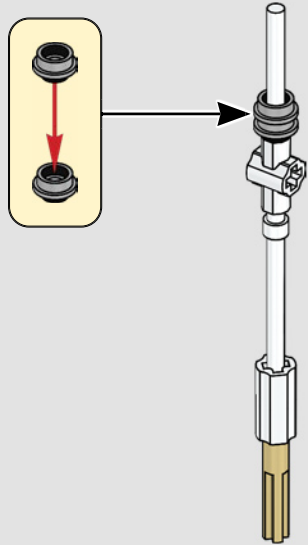
372





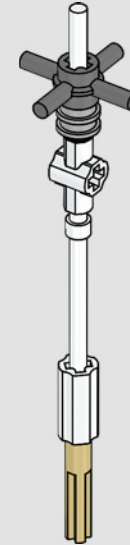
2x

373



1x

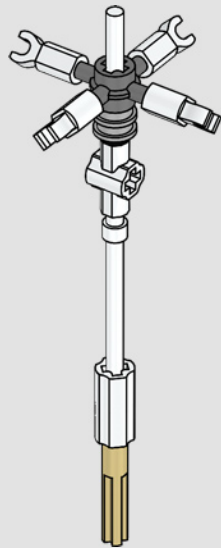
374





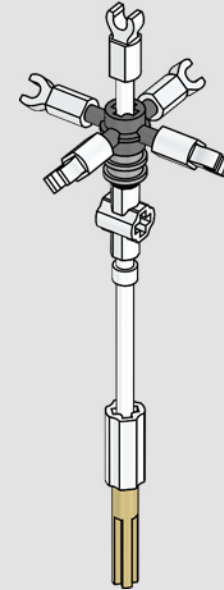
4x

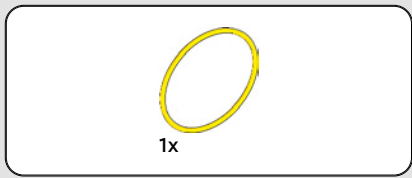
375



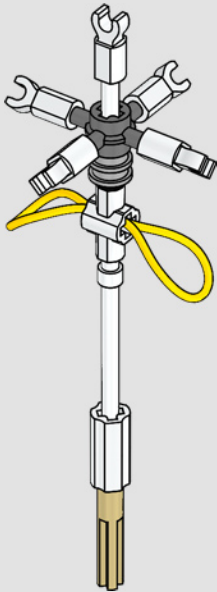
1x

376

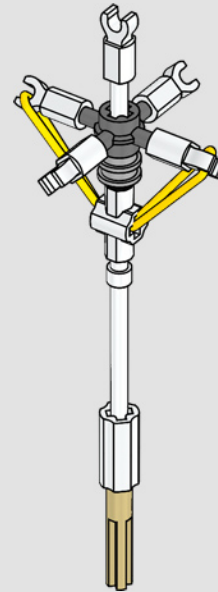




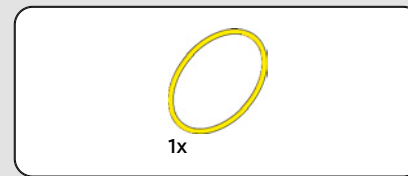
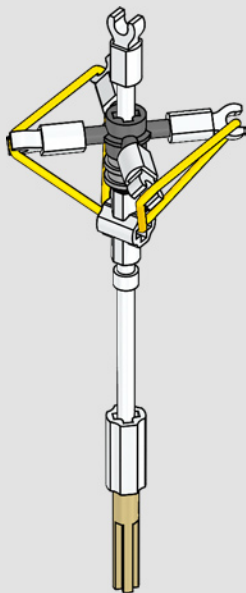
377



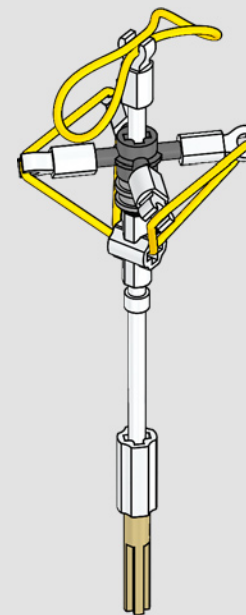
378



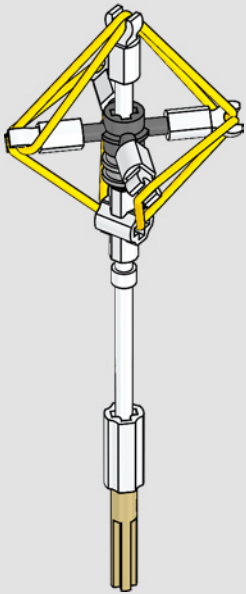
379



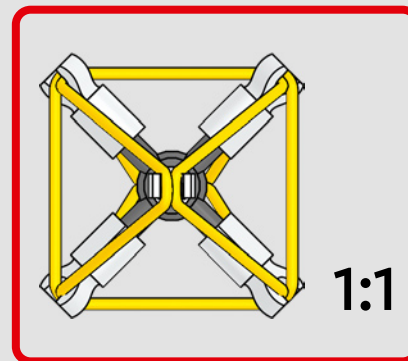
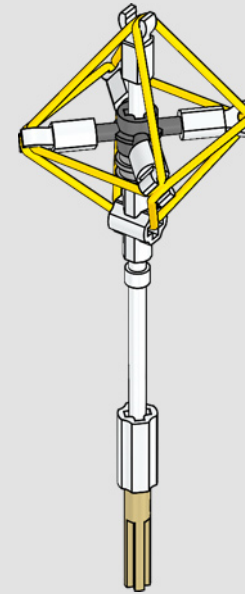
380



381

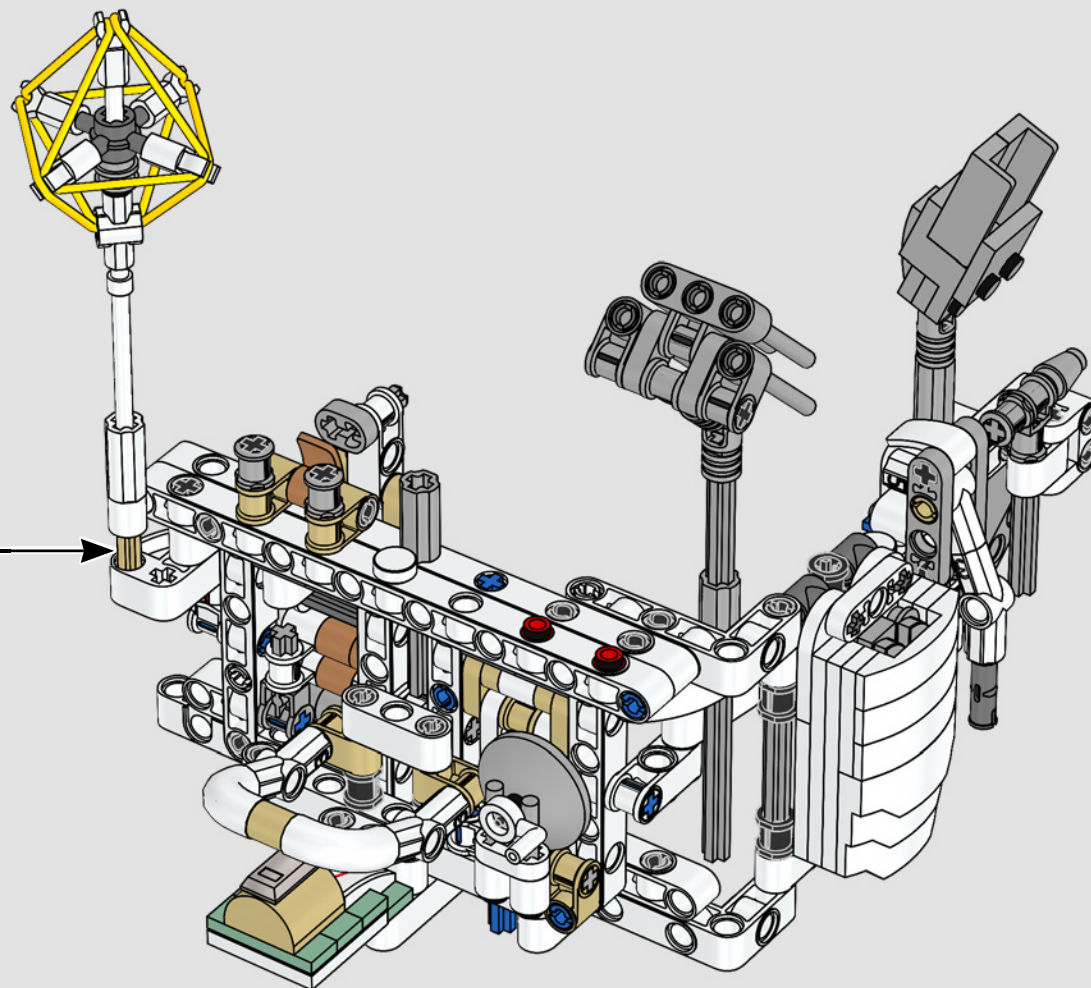


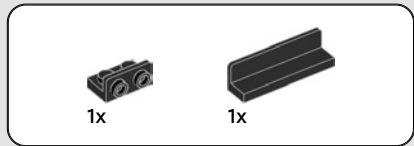
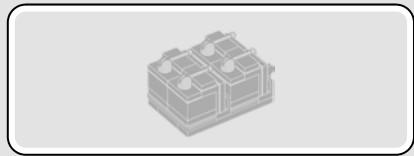
382



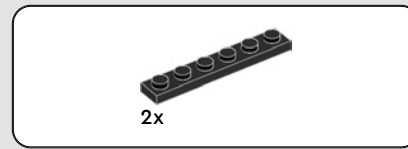
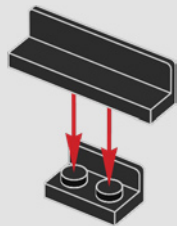


383

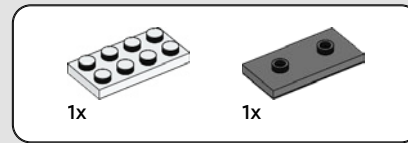
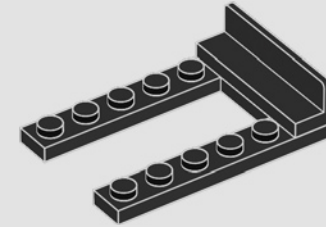




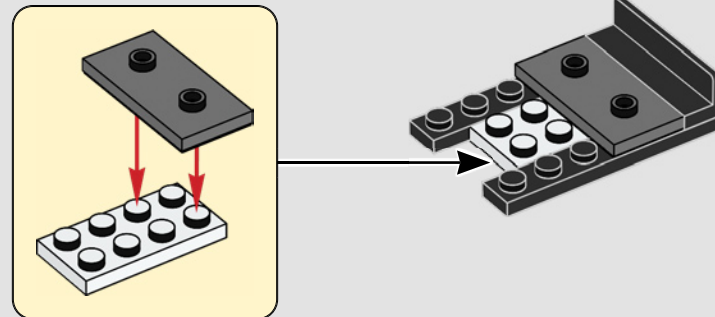
384

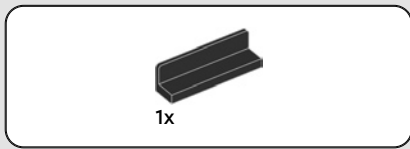


385

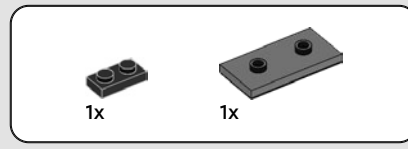
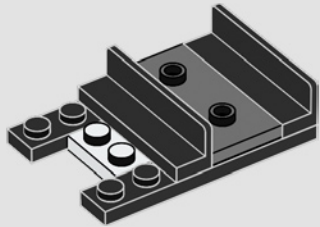


386

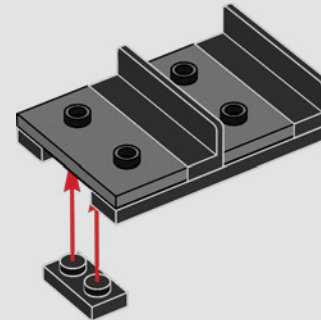


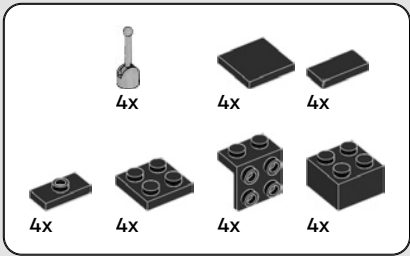


387

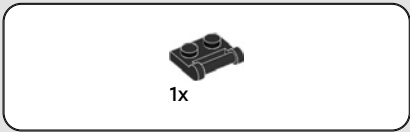
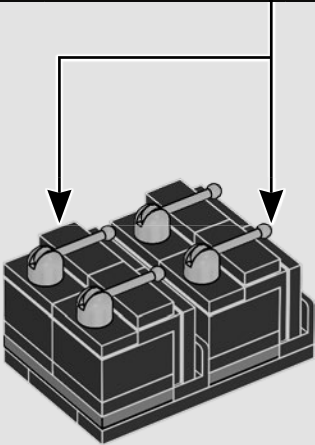
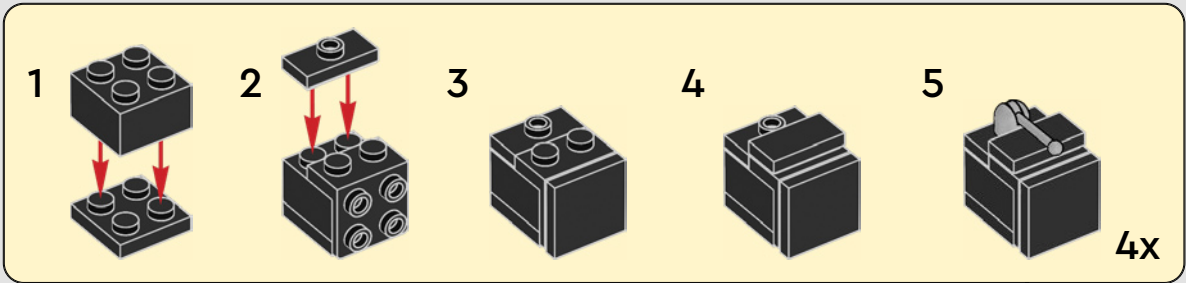


388

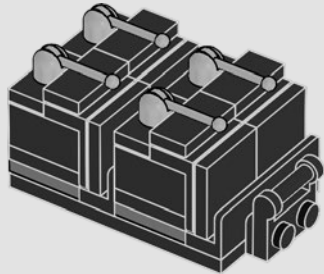




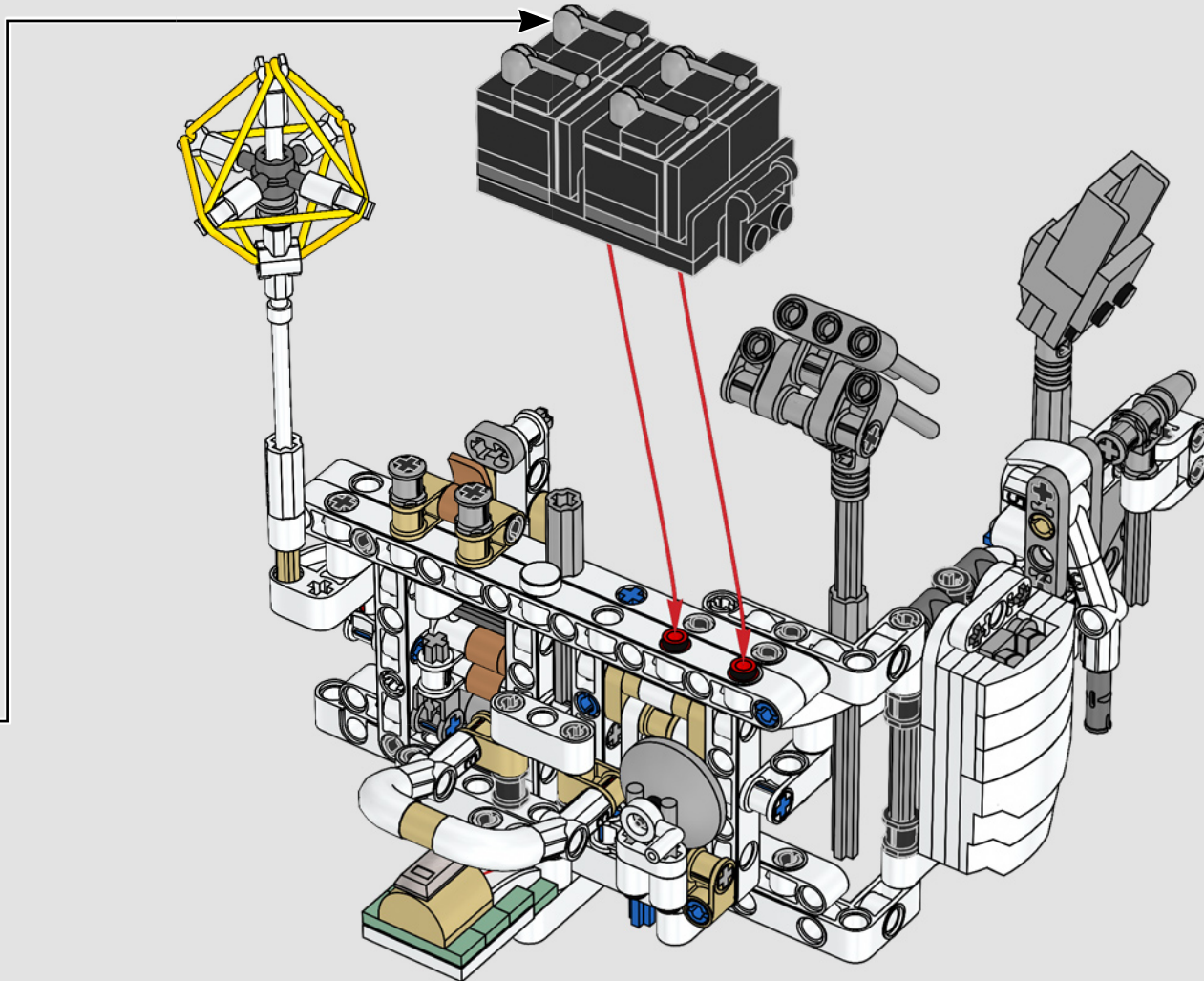
389

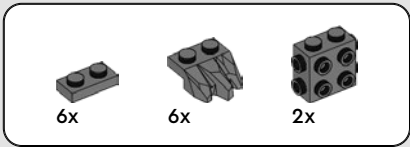


390

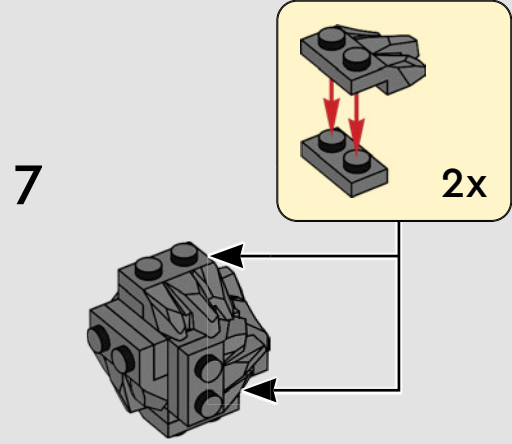
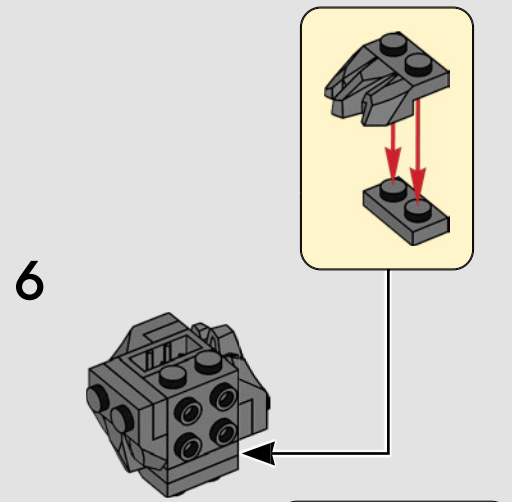
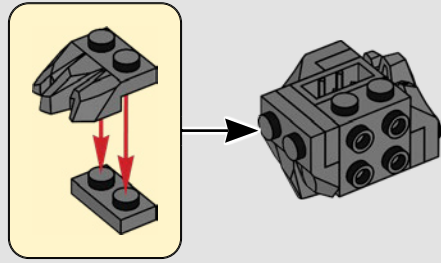
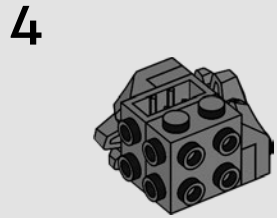
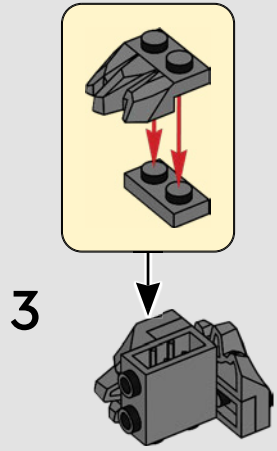
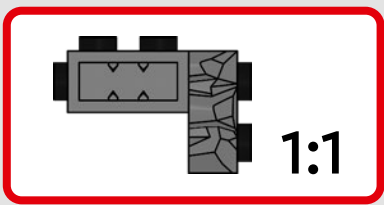
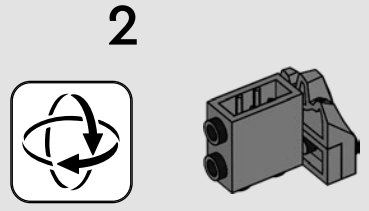
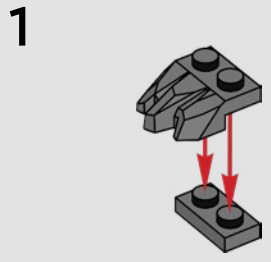


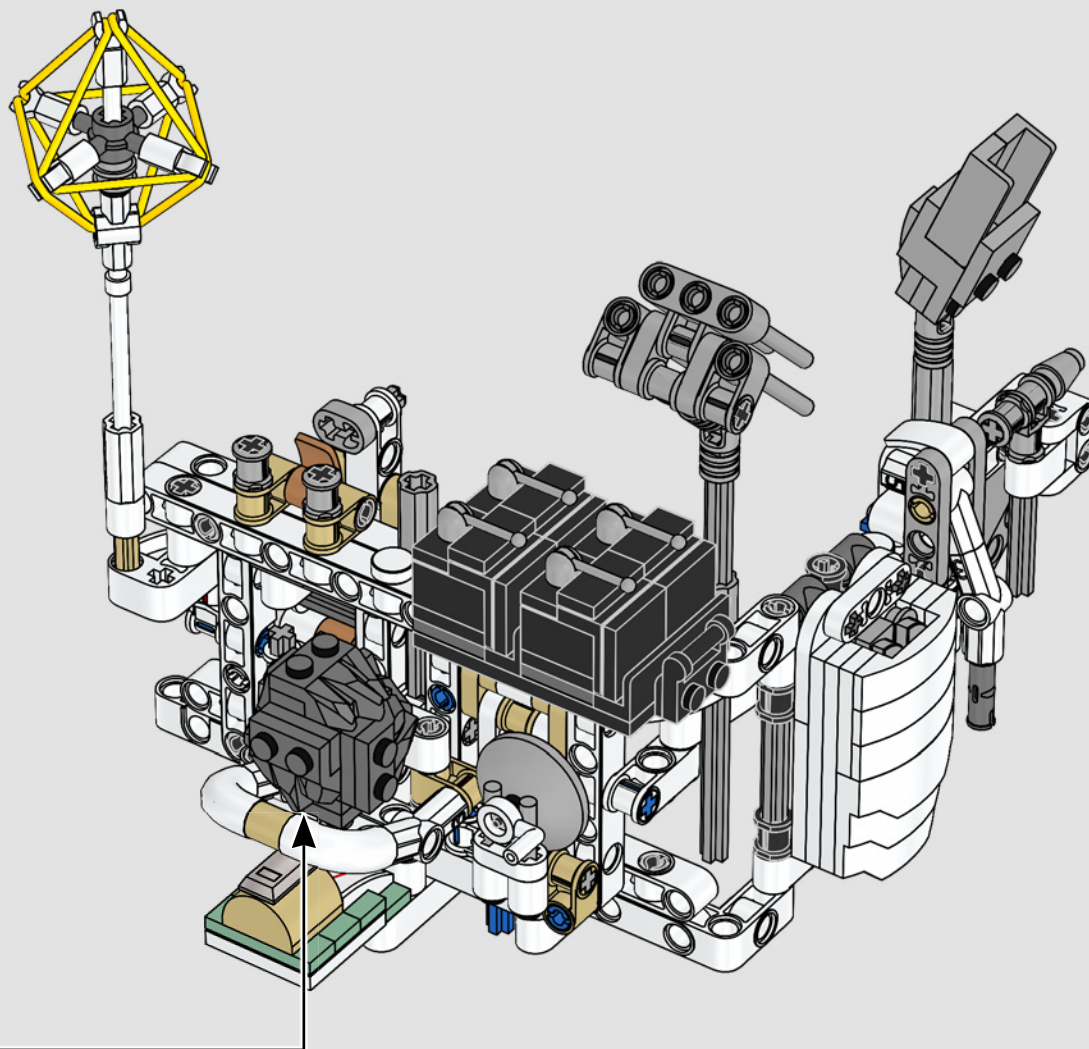
391

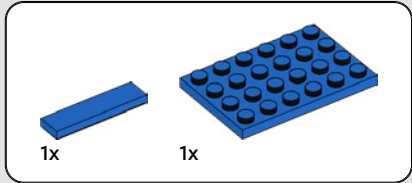
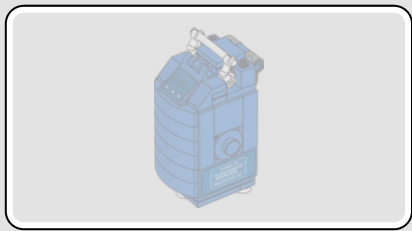




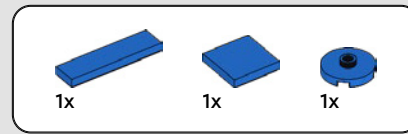
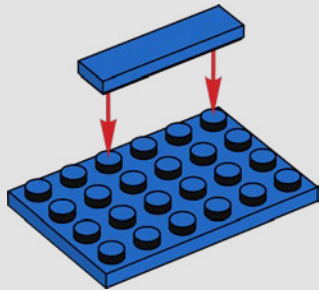
# 392



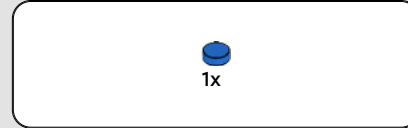
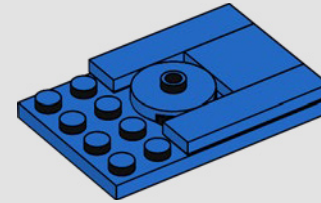




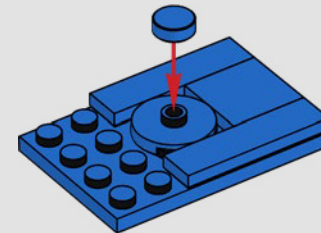
393



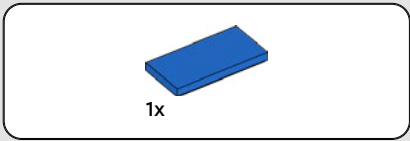
394



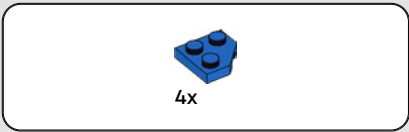
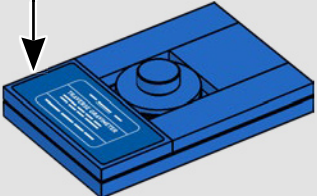
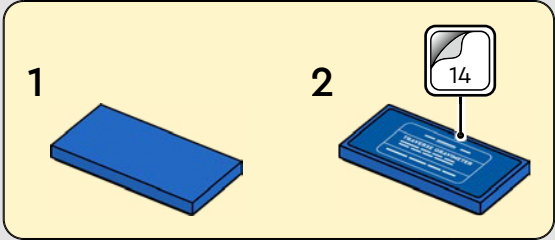
395



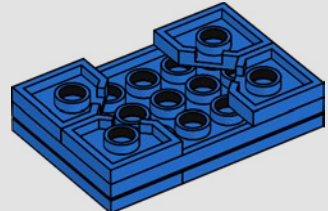


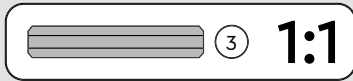
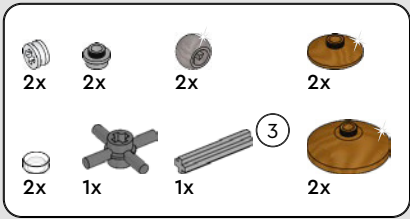


396

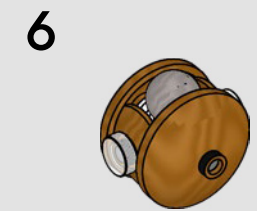
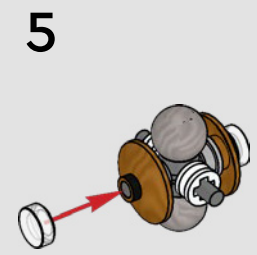
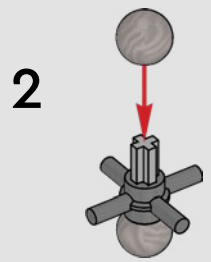
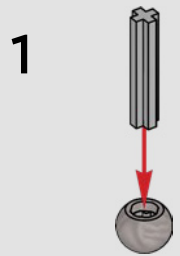


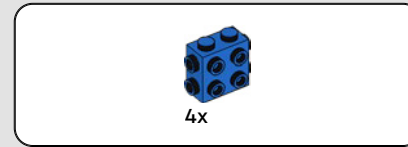
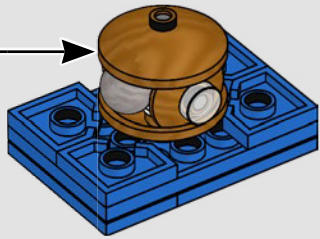
397



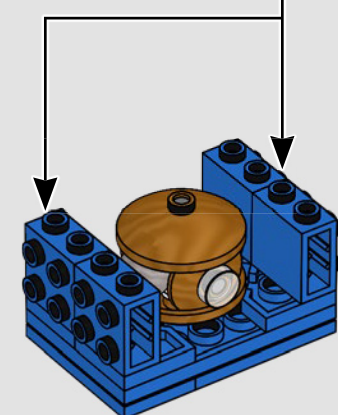
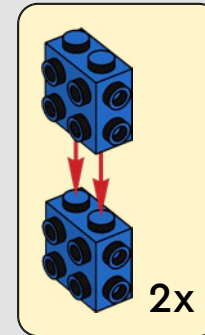


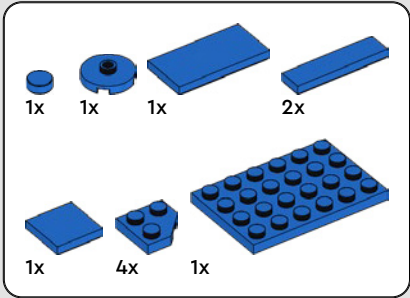
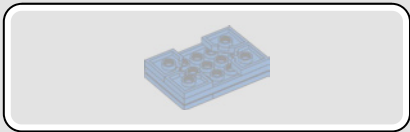
# 398





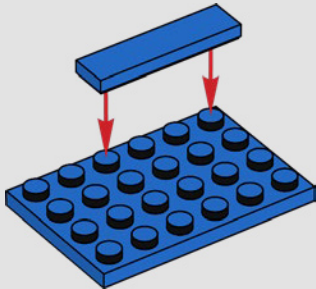
399



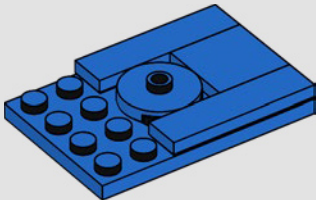


400

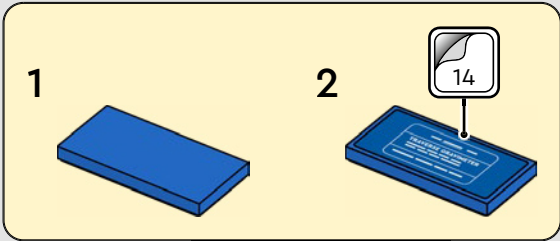
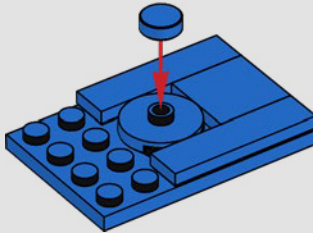
1



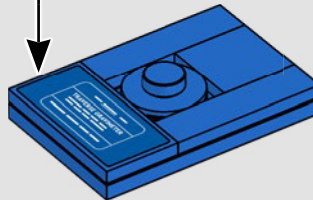
2



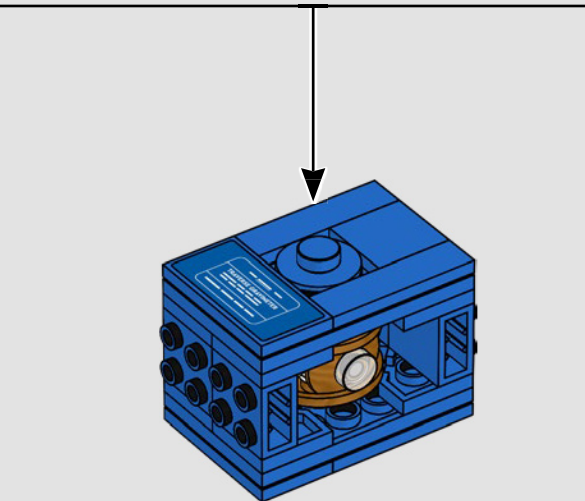
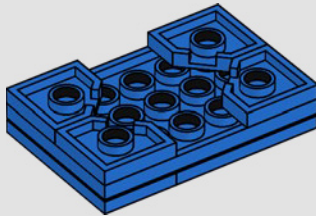
3

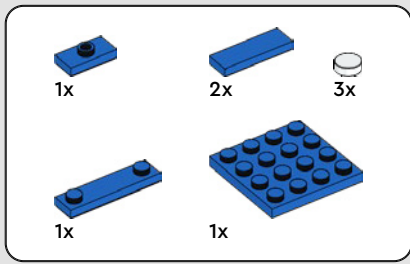


4

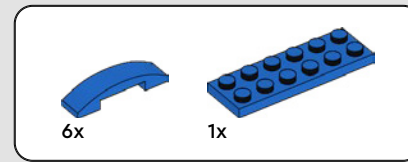
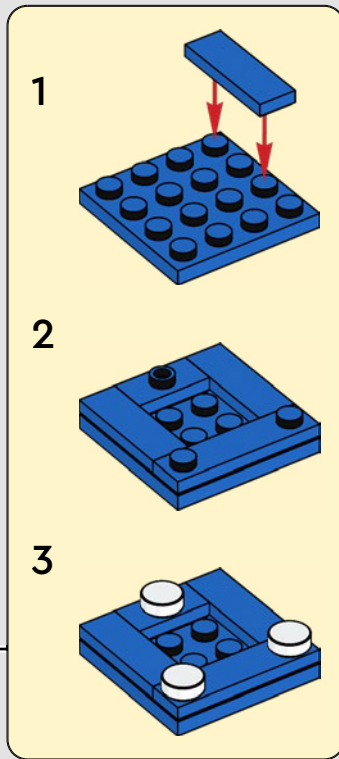
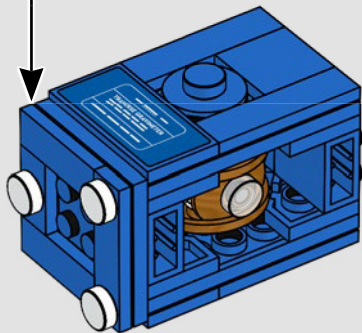


5

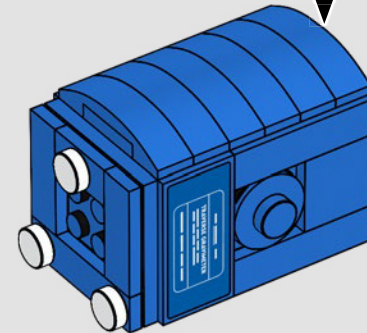
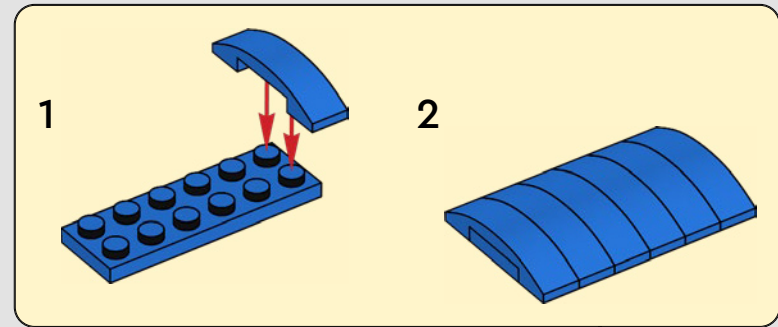


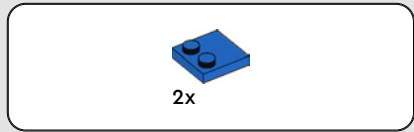


401

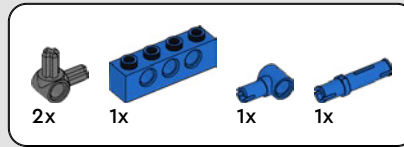
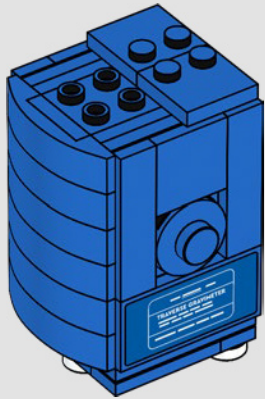


402

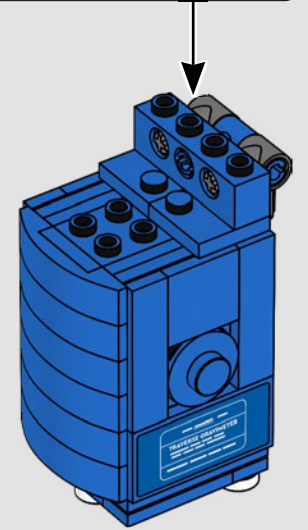
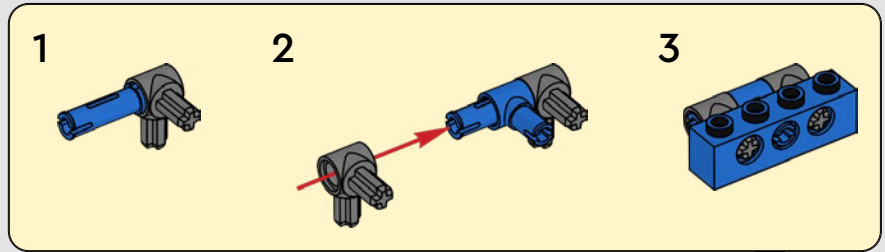




403



404



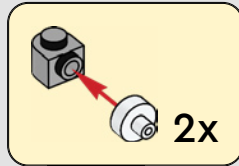


2x

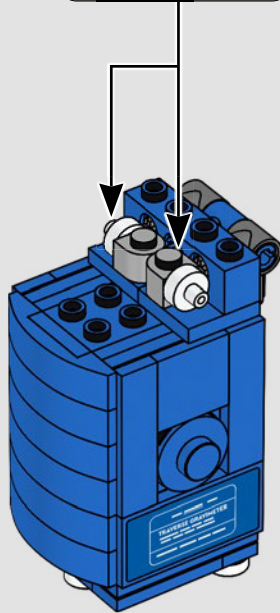


2x

# 405



2x

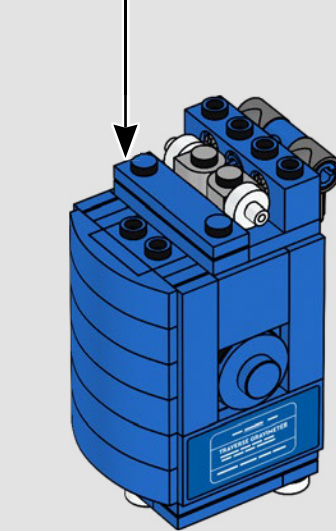
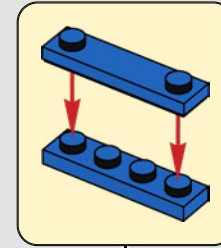


1x



1x

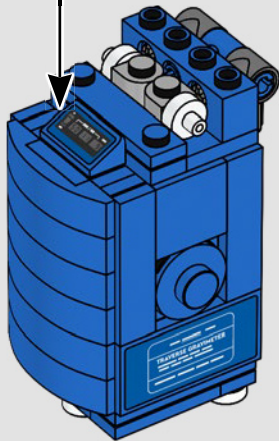
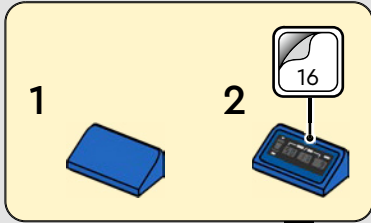
# 406





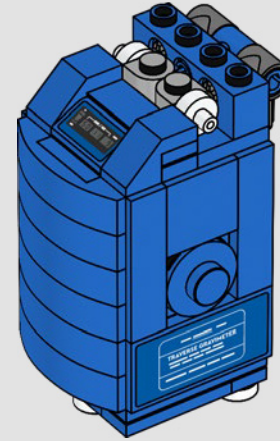
1x

# 407



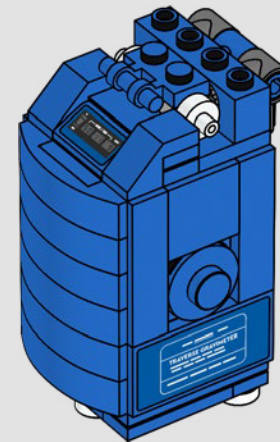
2x

# 408



1x

# 409







1x

# 410



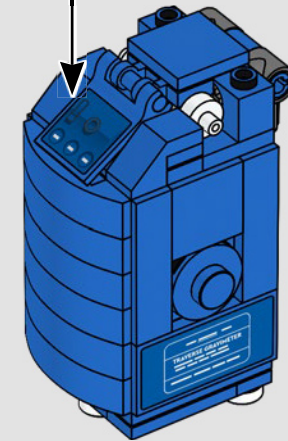
1x

# 411

1



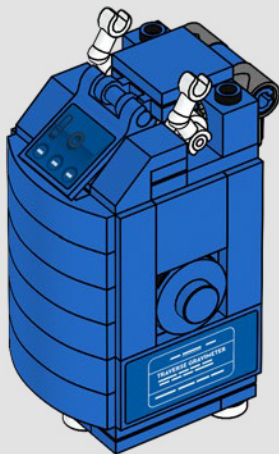
2





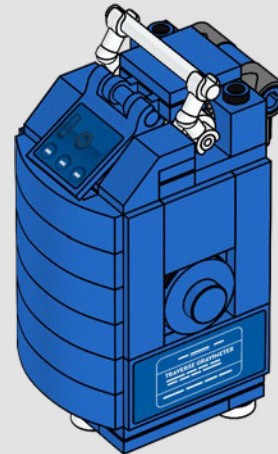
2x

# 412

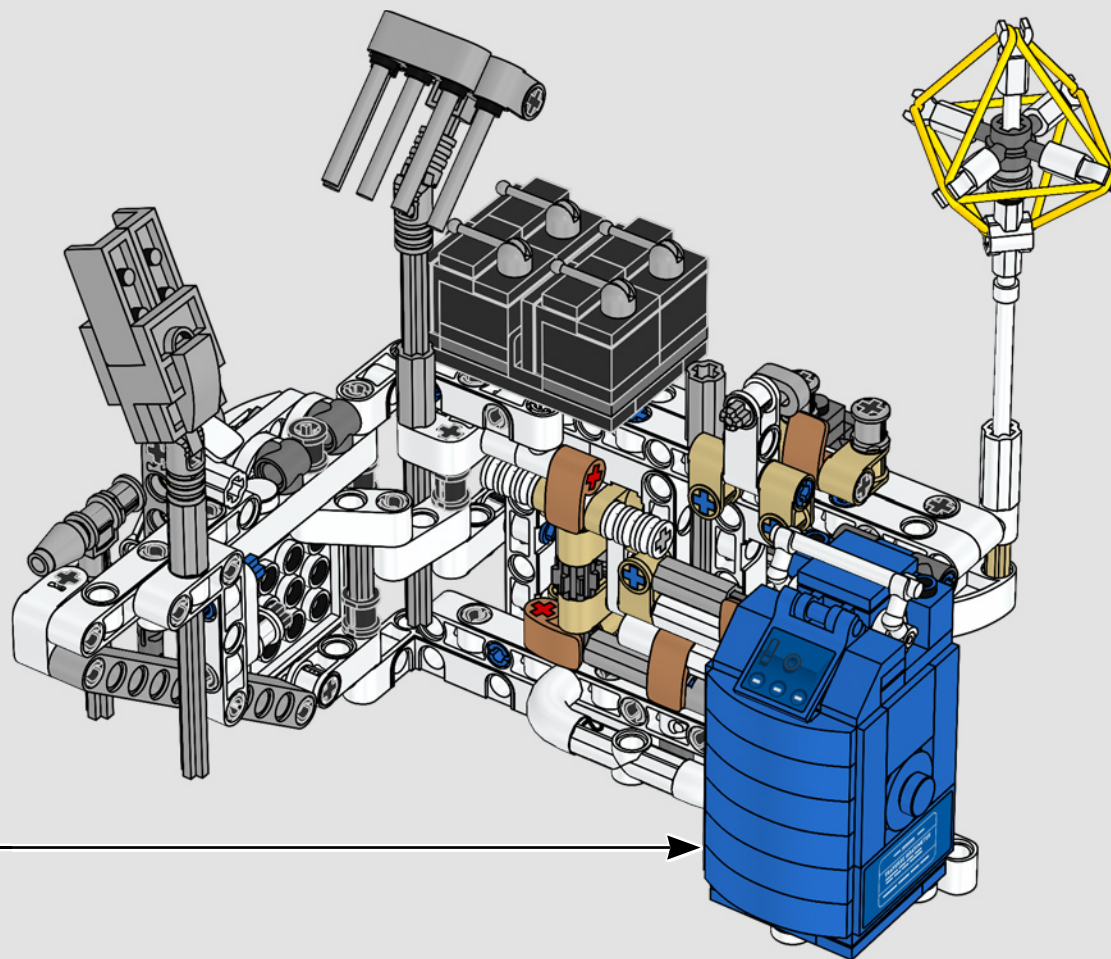


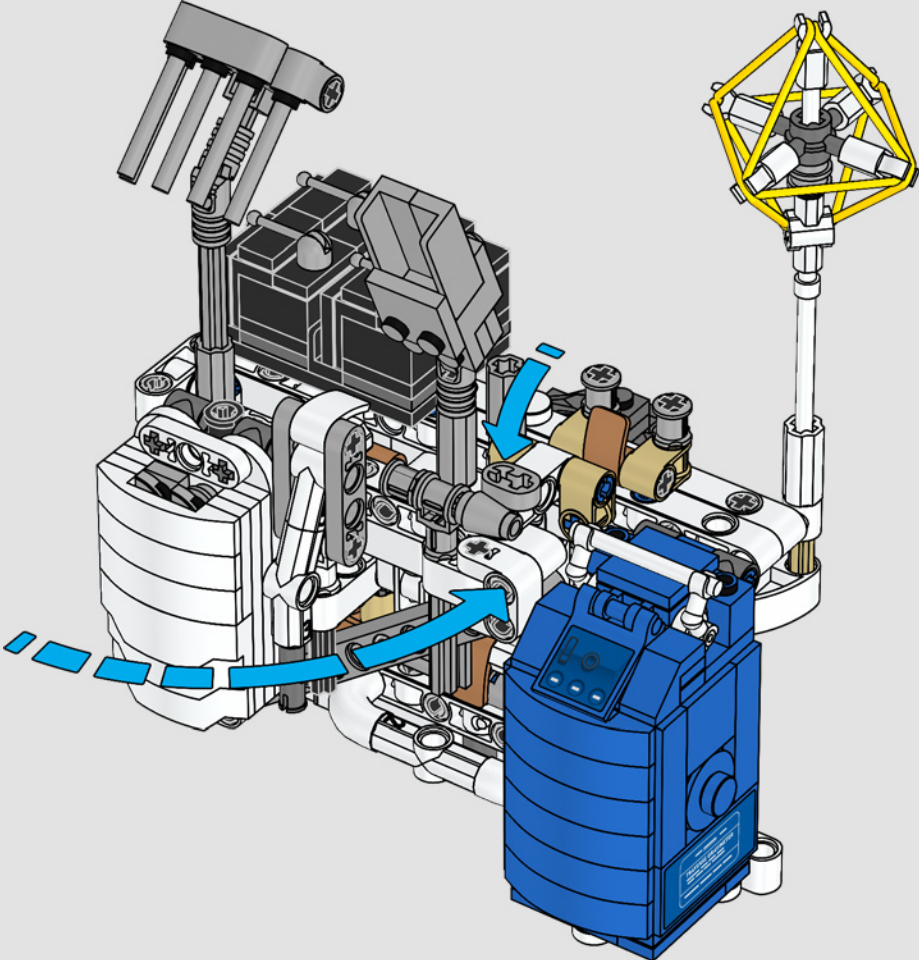
1x

# 413

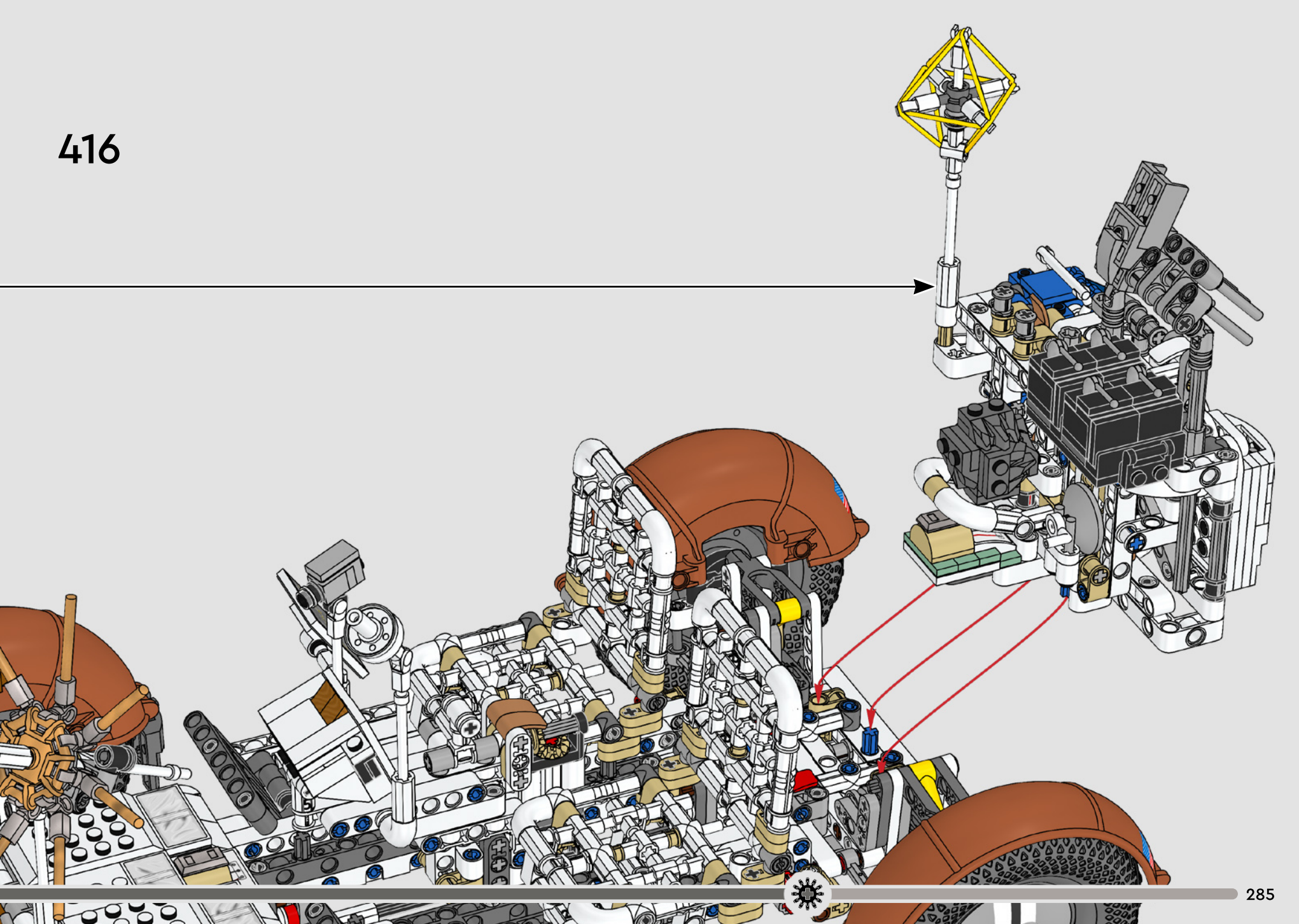


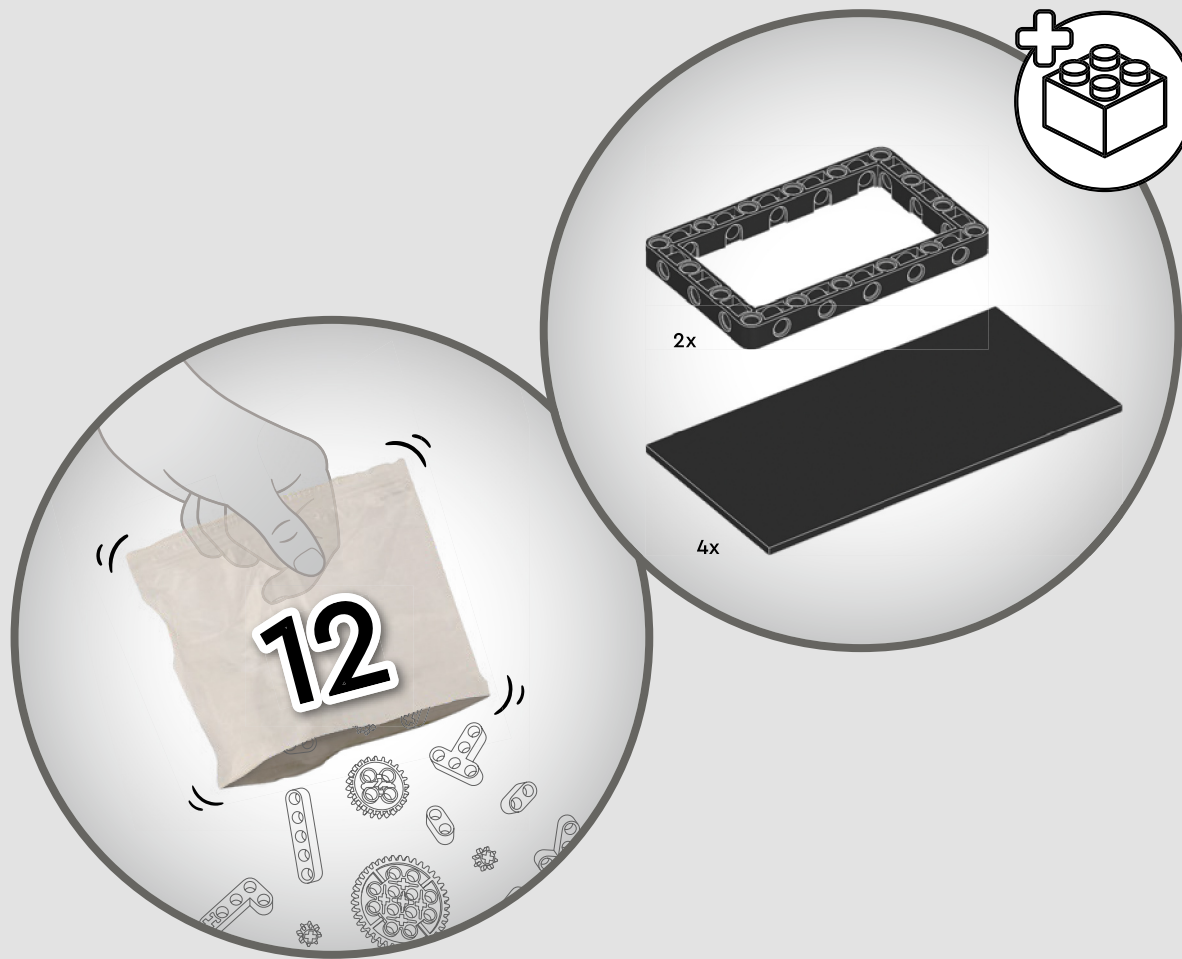
414

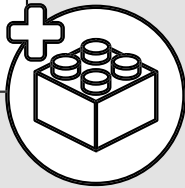
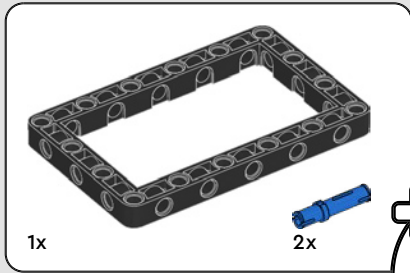
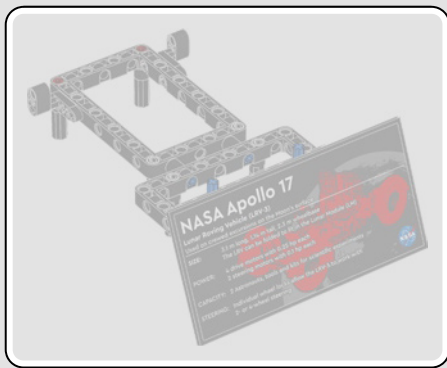




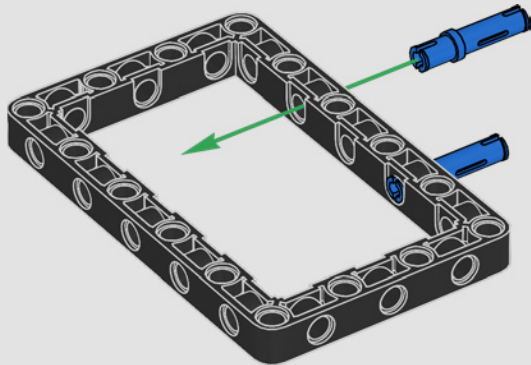
416



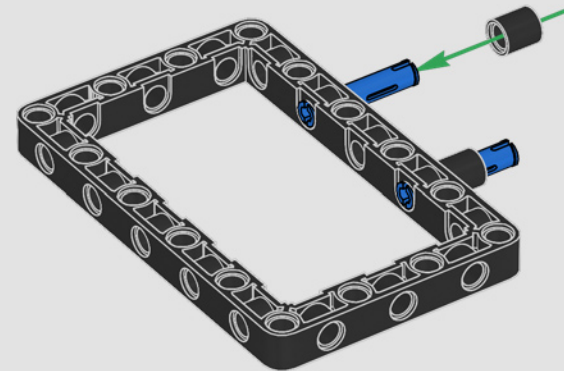


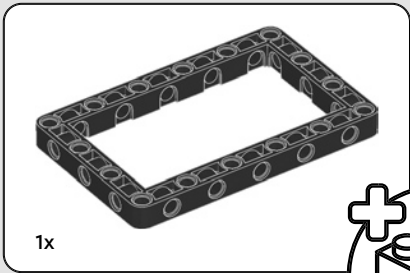


417

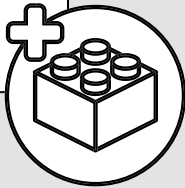


418

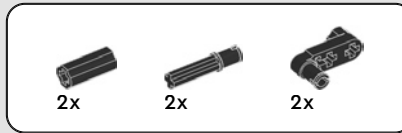
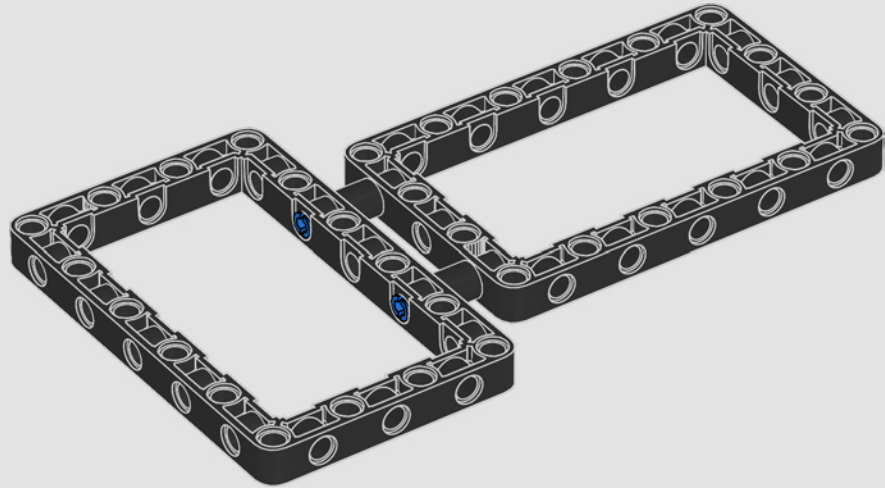




1x



419

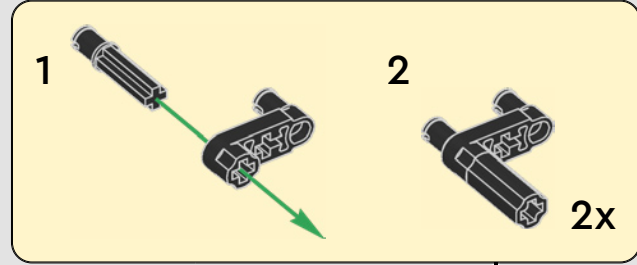


2x

2x

2x

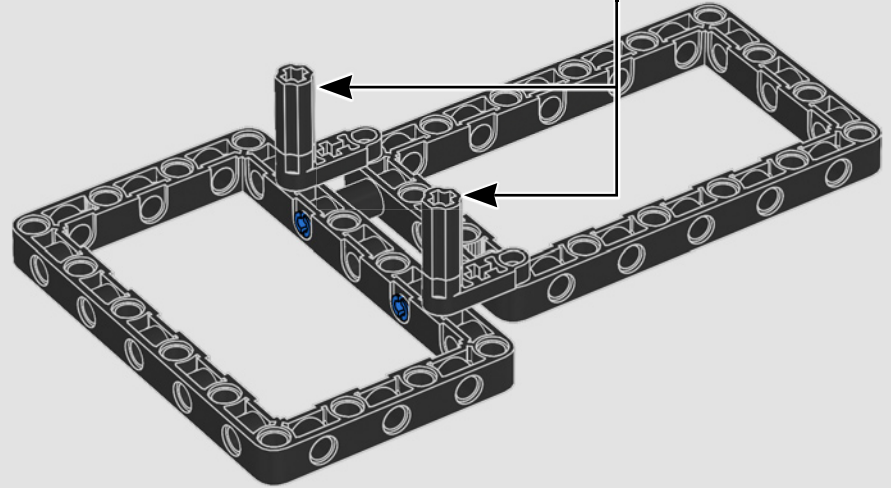
420



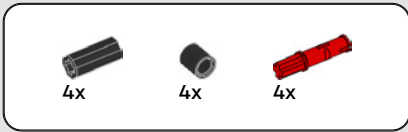
1

2

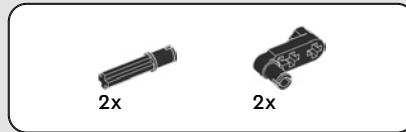
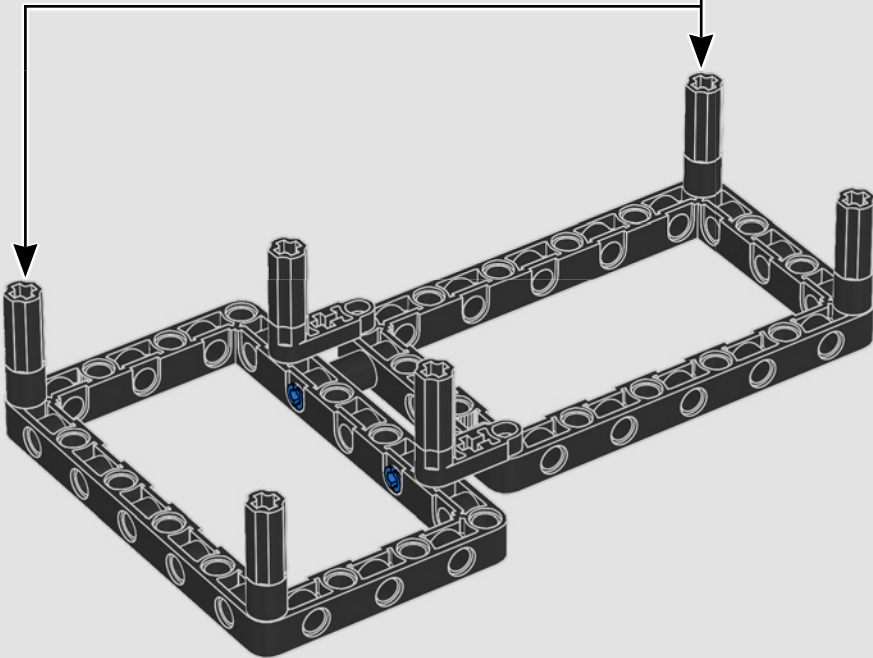
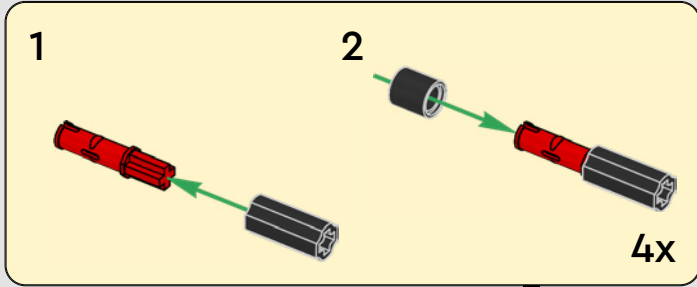
2x



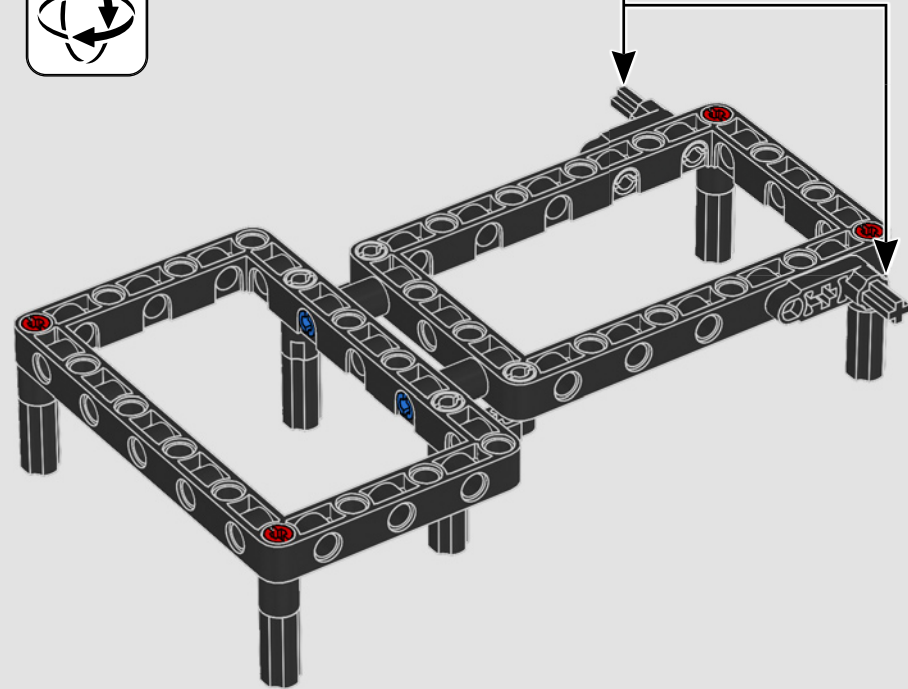
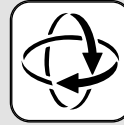
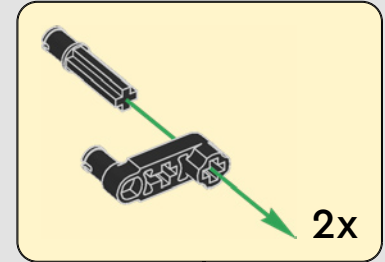




421



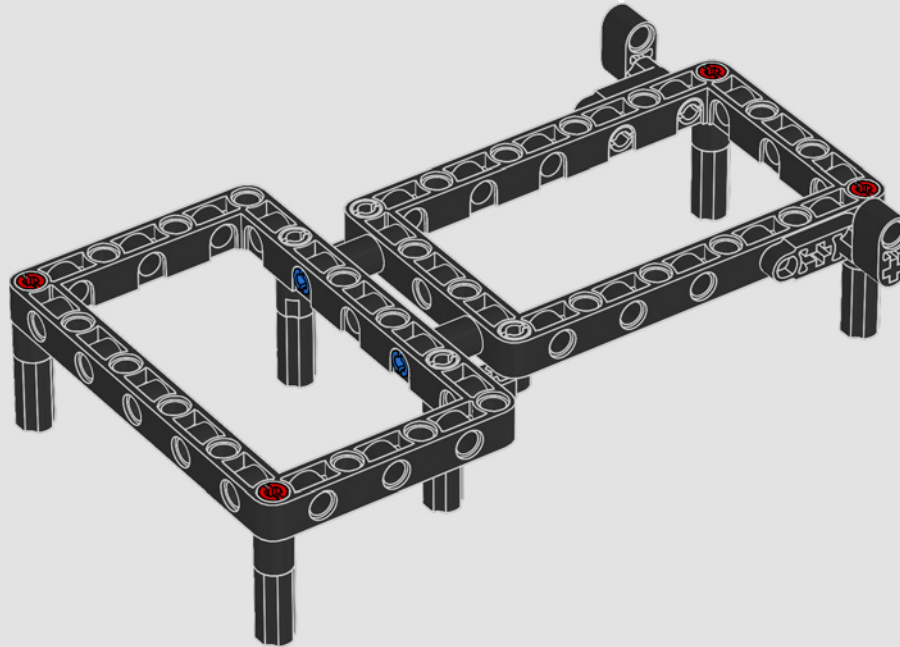
422

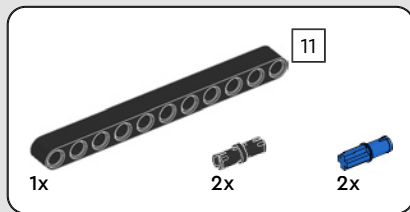




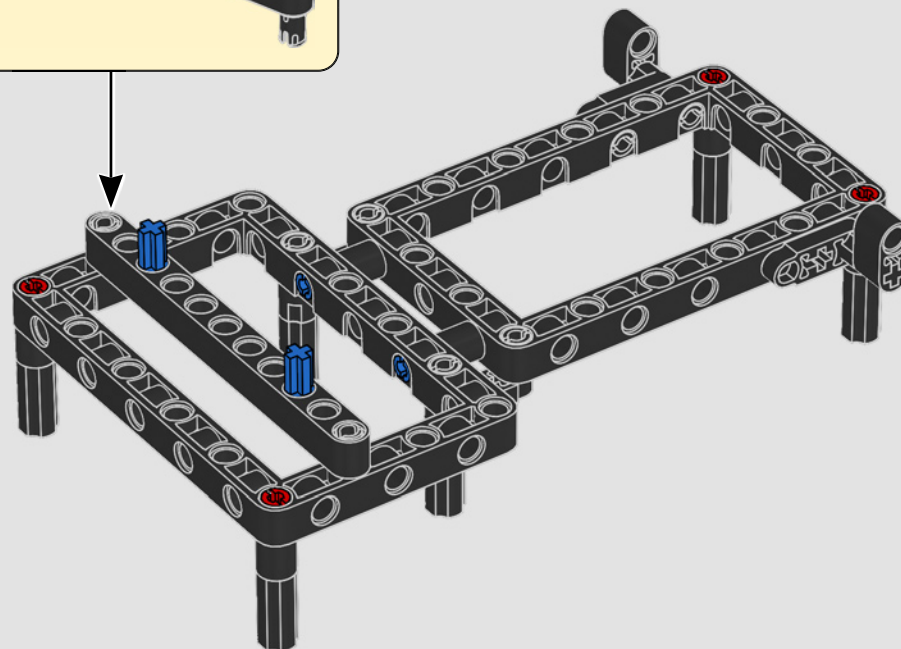
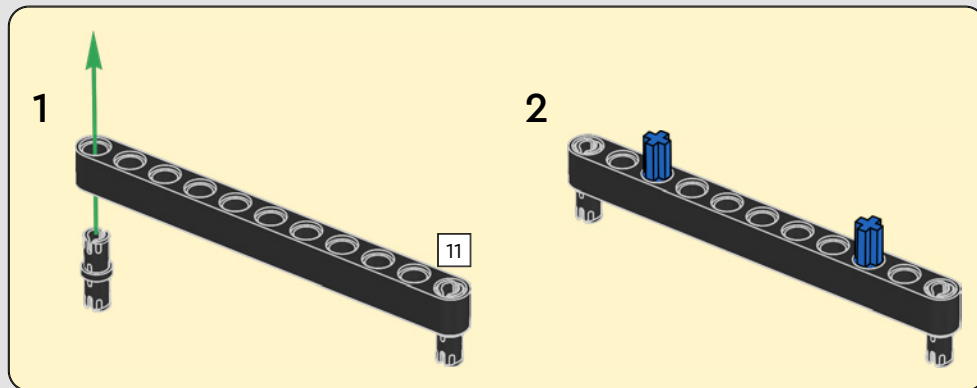
2x

423





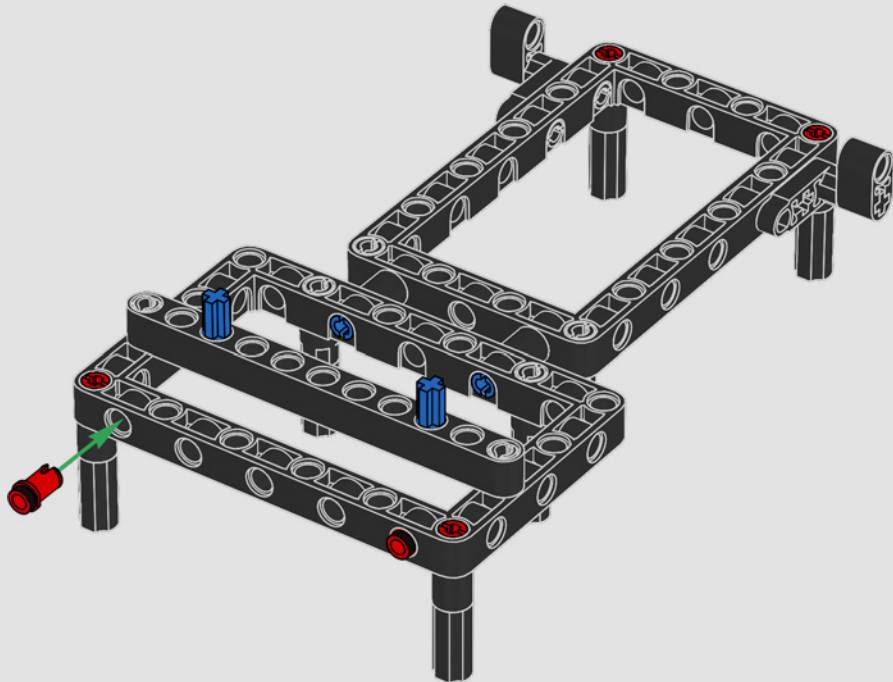
424





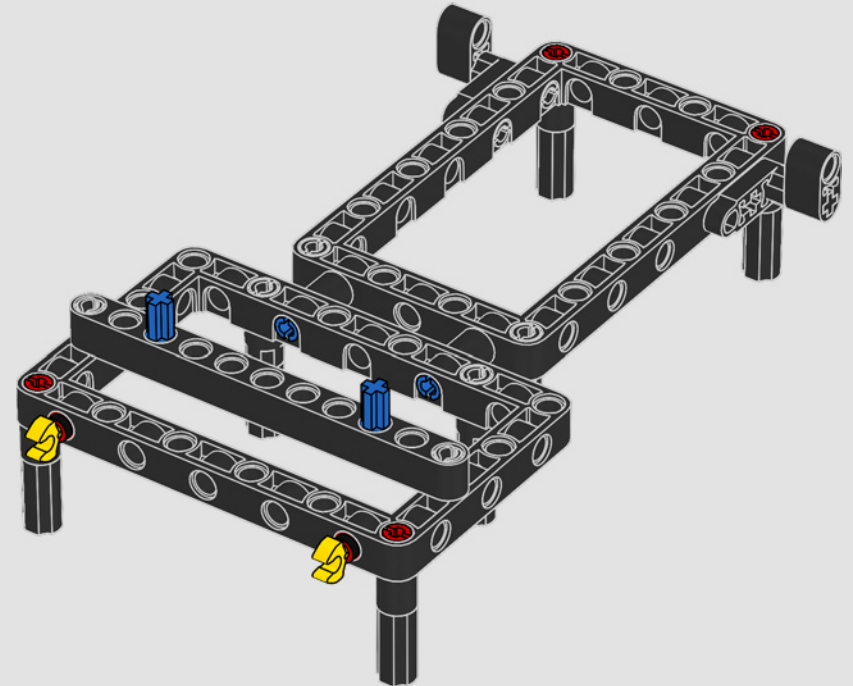
2x

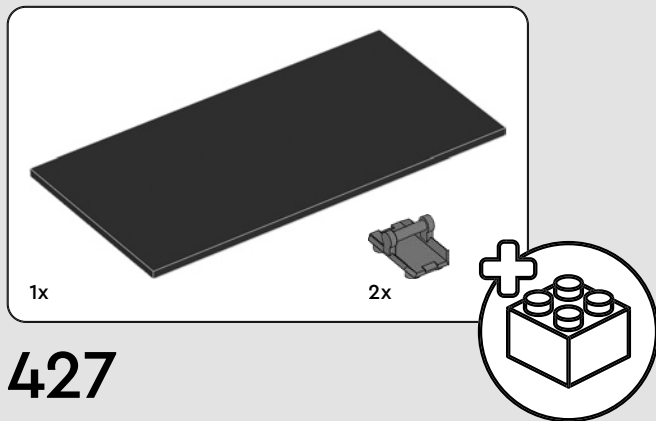
425



2x

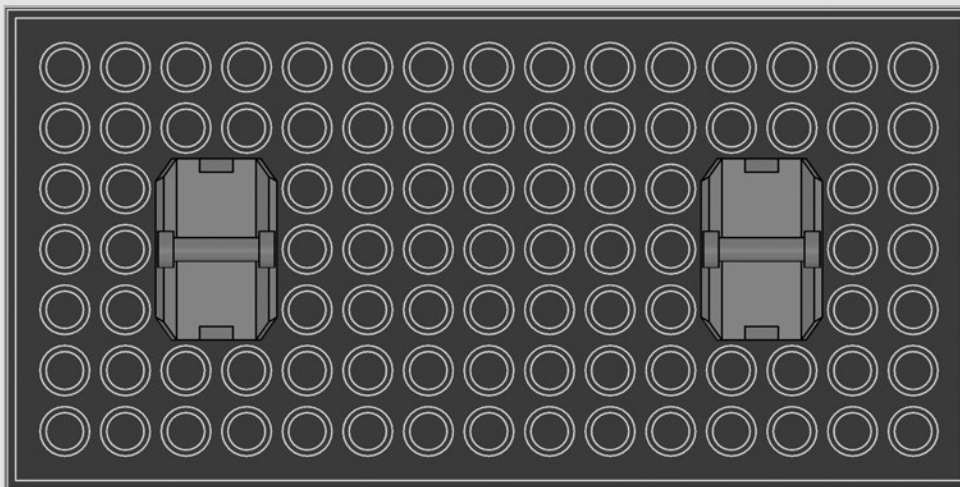
426





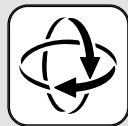
427

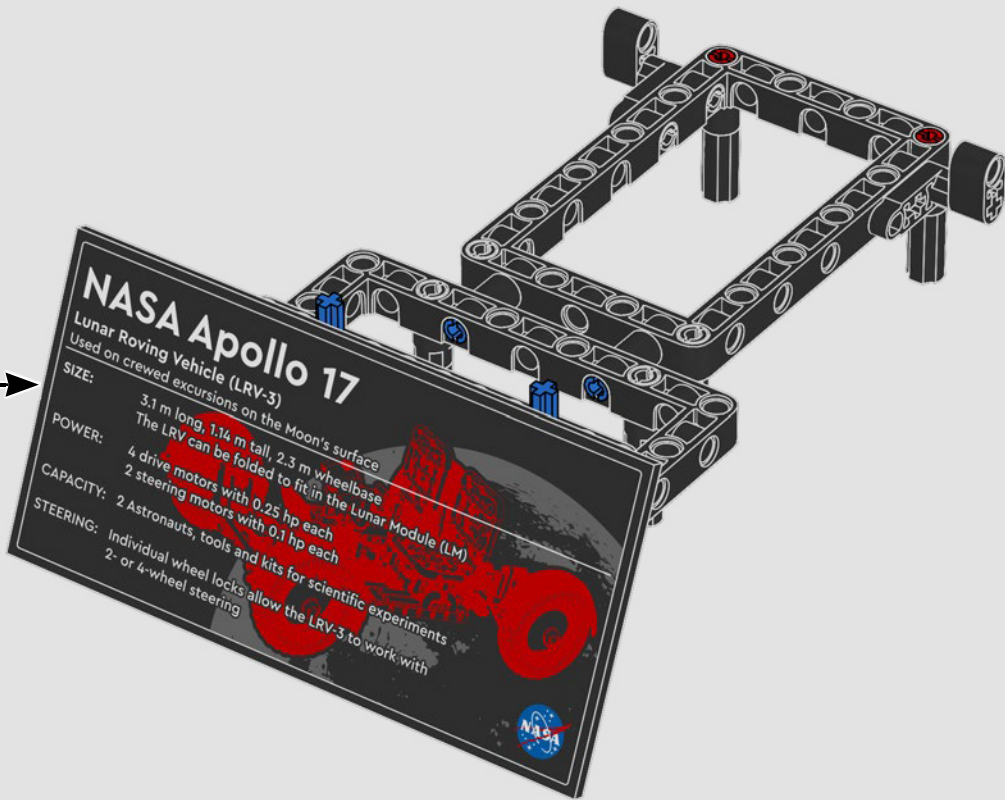
1



1:1

2



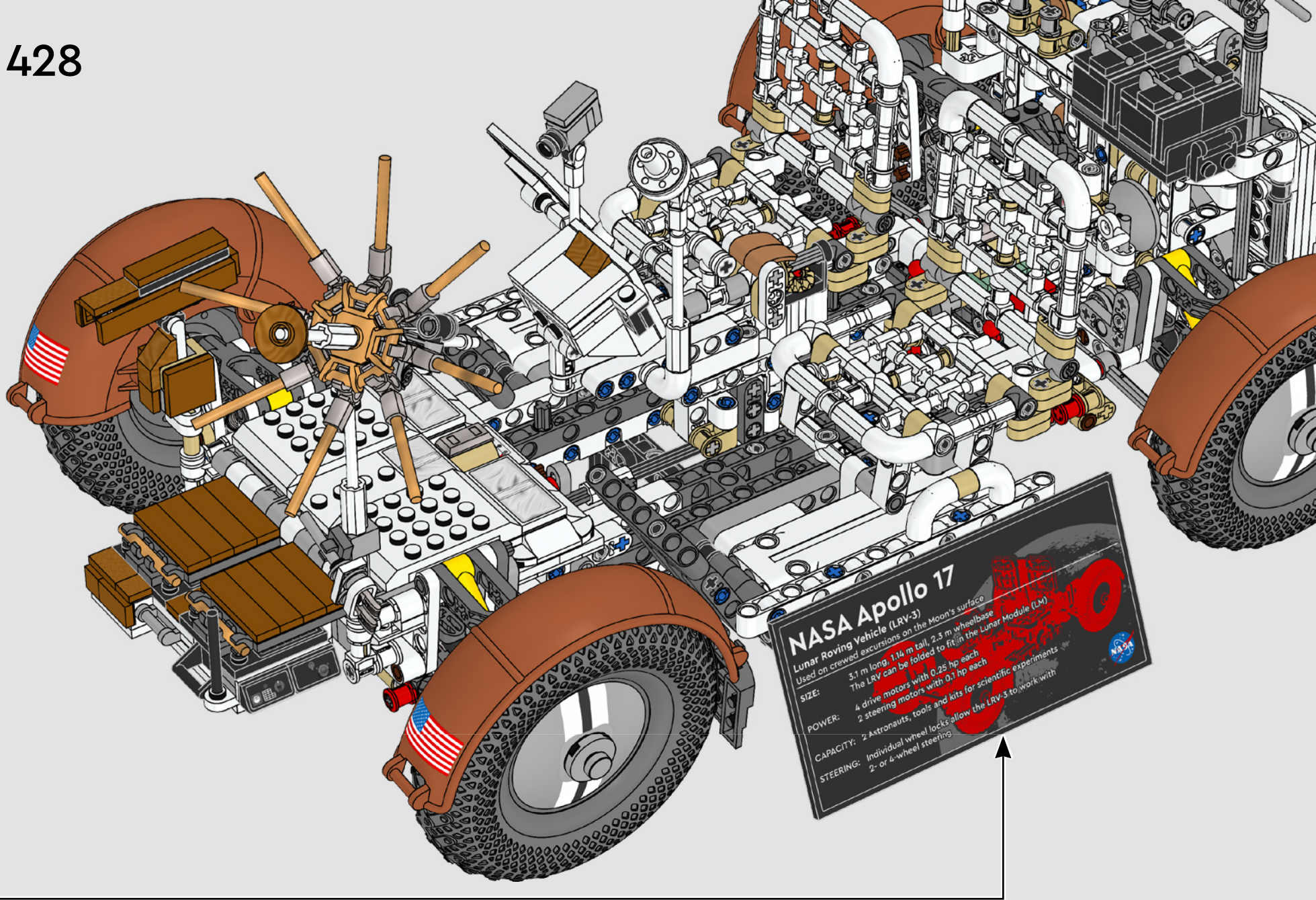


# NASA Apollo 17

Lunar Roving Vehicle (LRV-3)  
Used on crewed excursions on the Moon's surface

- SIZE:** 3.1 m long, 1.14 m tall, 2.3 m wheelbase  
The LRV can be folded to fit in the Lunar Module (LM)
- POWER:** 4 drive motors with 0.25 hp each  
2 steering motors with 0.1 hp each
- CAPACITY:** 2 Astronauts, tools and kits for scientific experiments
- STEERING:** Individual wheel locks allow the LRV-3 to work with 2- or 4-wheel steering





## NASA Apollo 17

Lunar Roving Vehicle (LRV-3)  
Used on crewed excursions on the Moon's surface

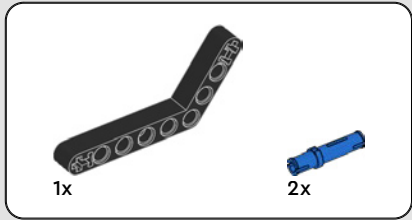
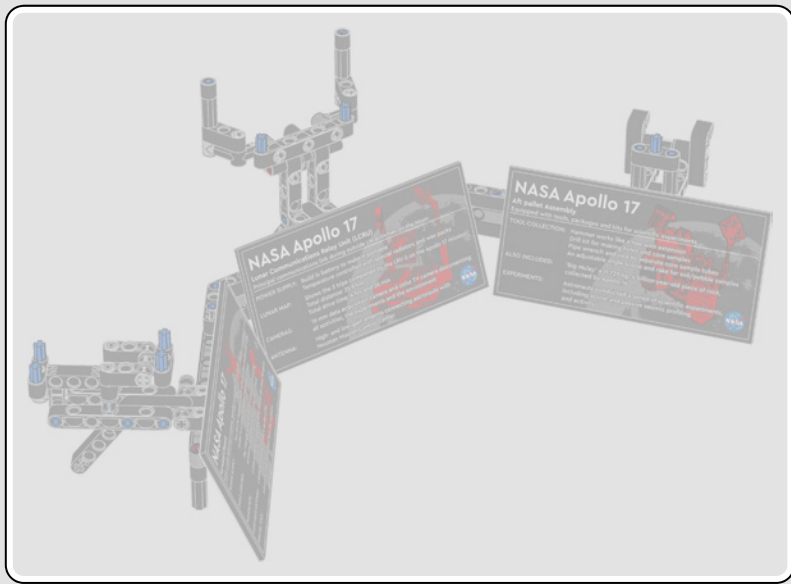
**SIZE:** 3.1 m long, 1.14 m tall, 2.5 m wheelbase  
The LRV can be folded to fit in the Lunar Module (LM)

**POWER:** 4 drive motors with 0.25 hp each  
2 steering motors with 0.1 hp each

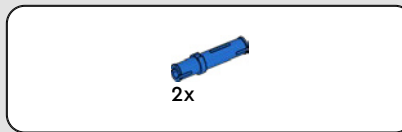
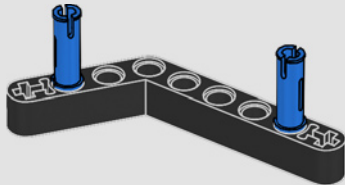
**CAPACITY:** 2 Astronauts, tools and kits for scientific experiments

**STEERING:** Individual wheel locks allow the LRV-3 to work with  
2- or 4-wheel steering

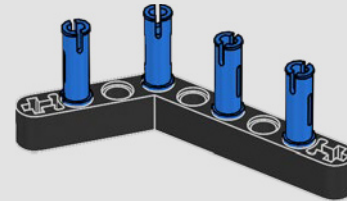




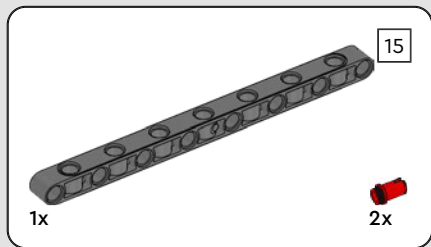
429



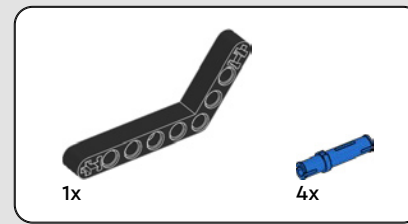
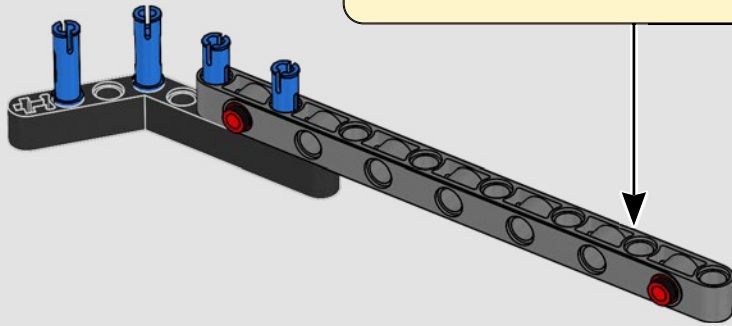
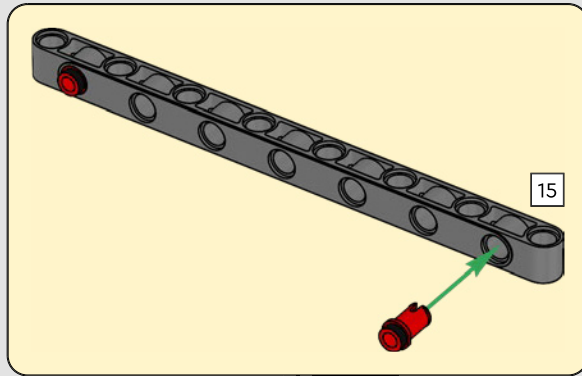
430



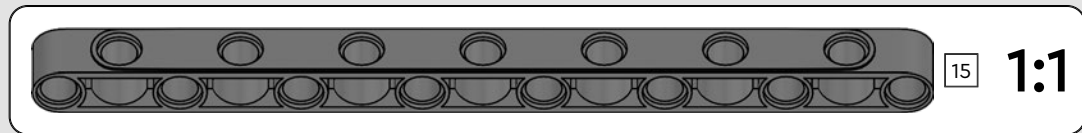
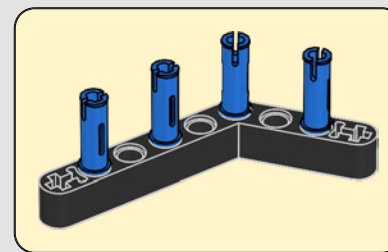
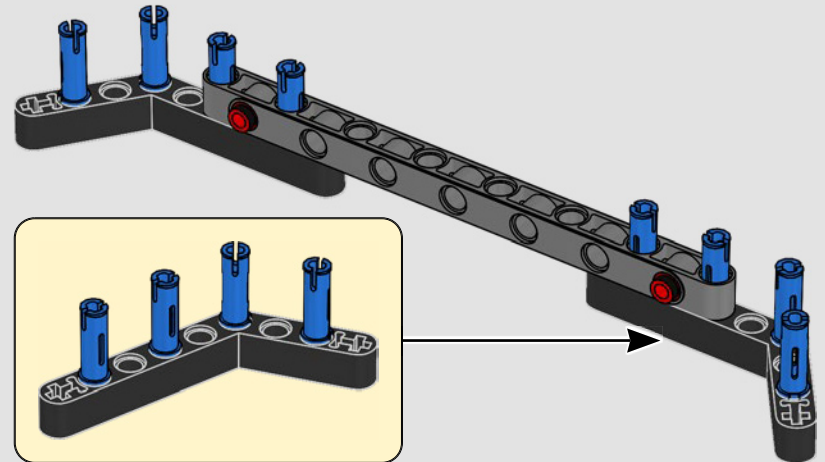


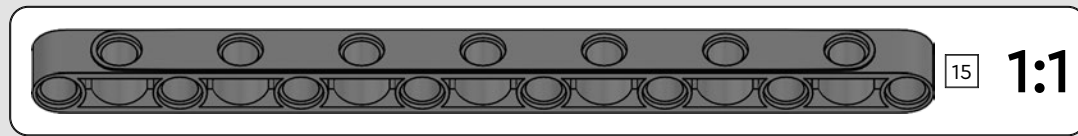
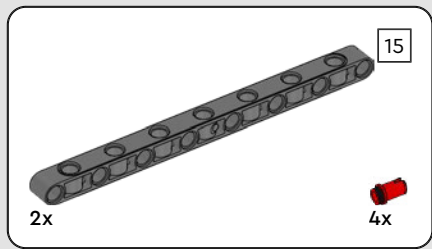


431

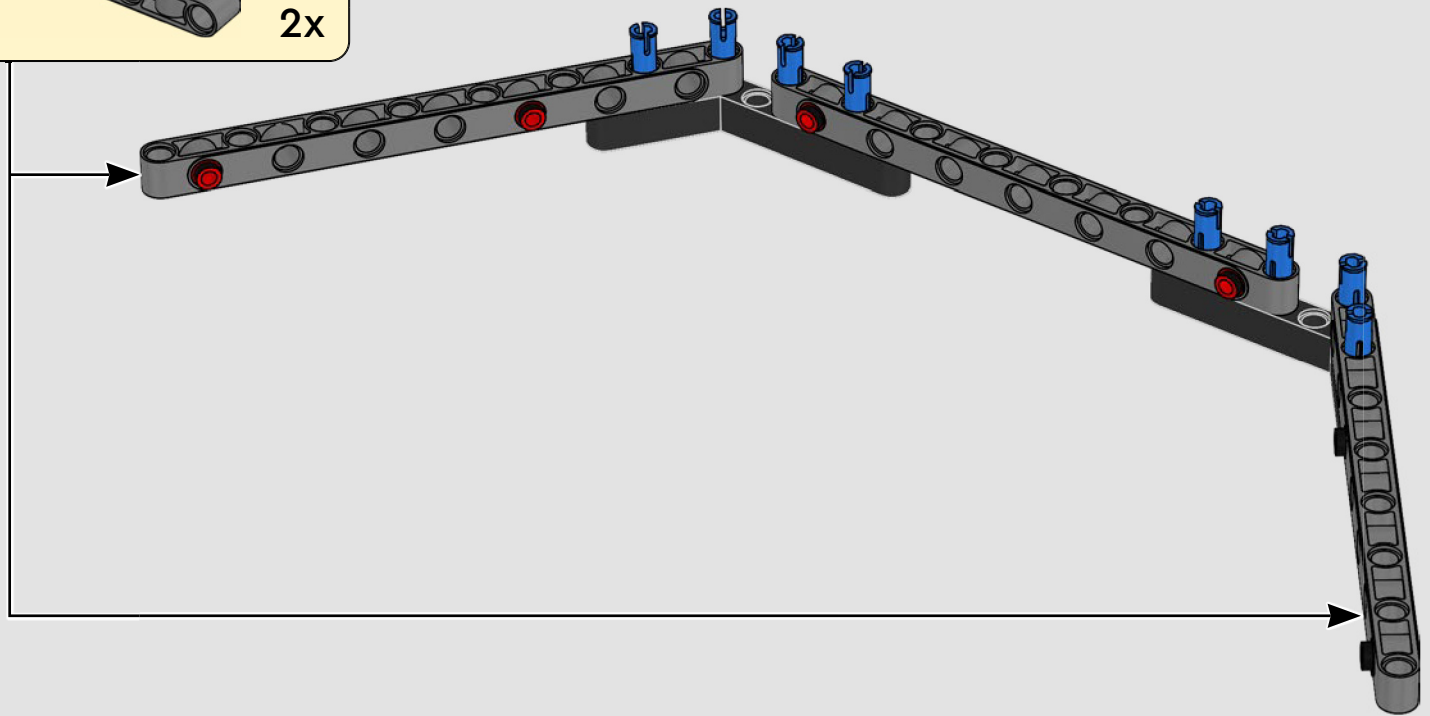
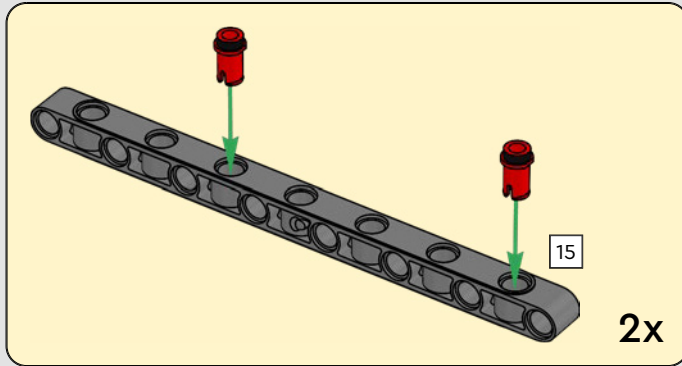


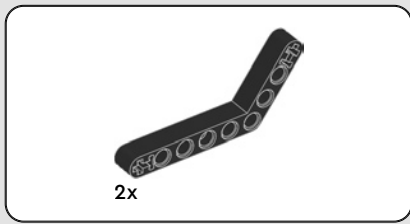
432



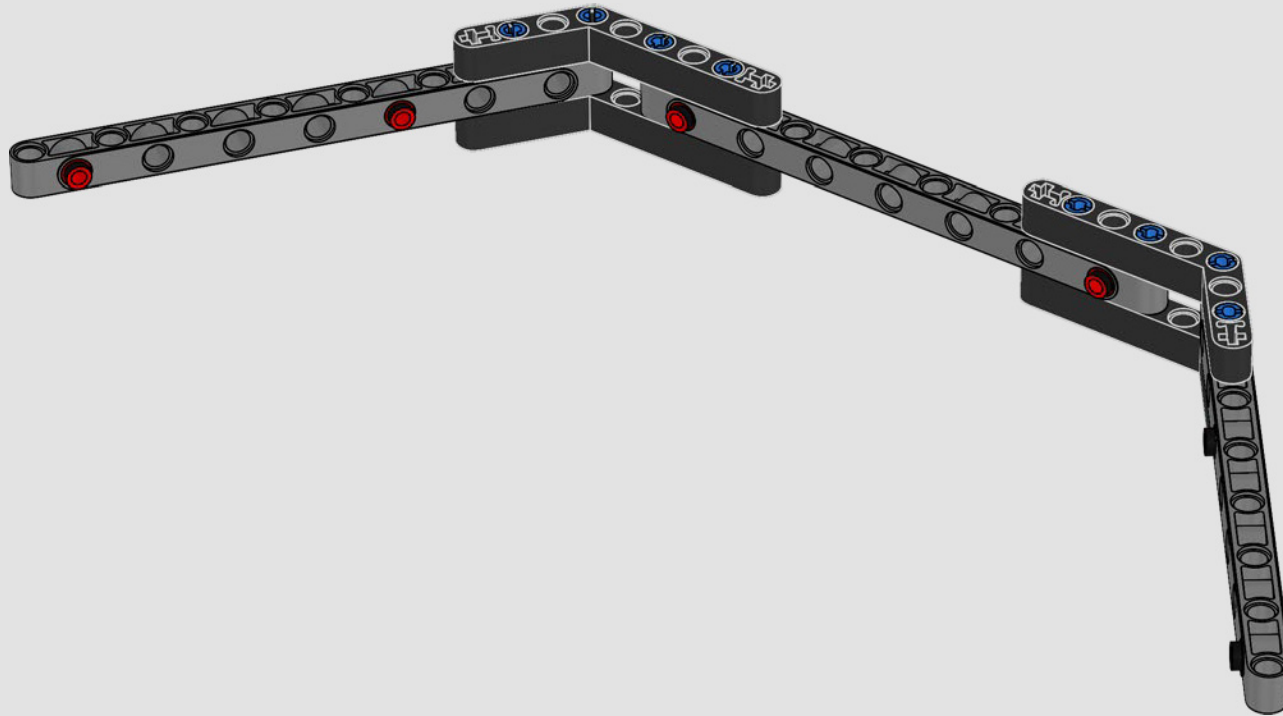


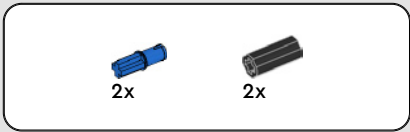
433



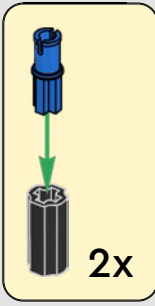
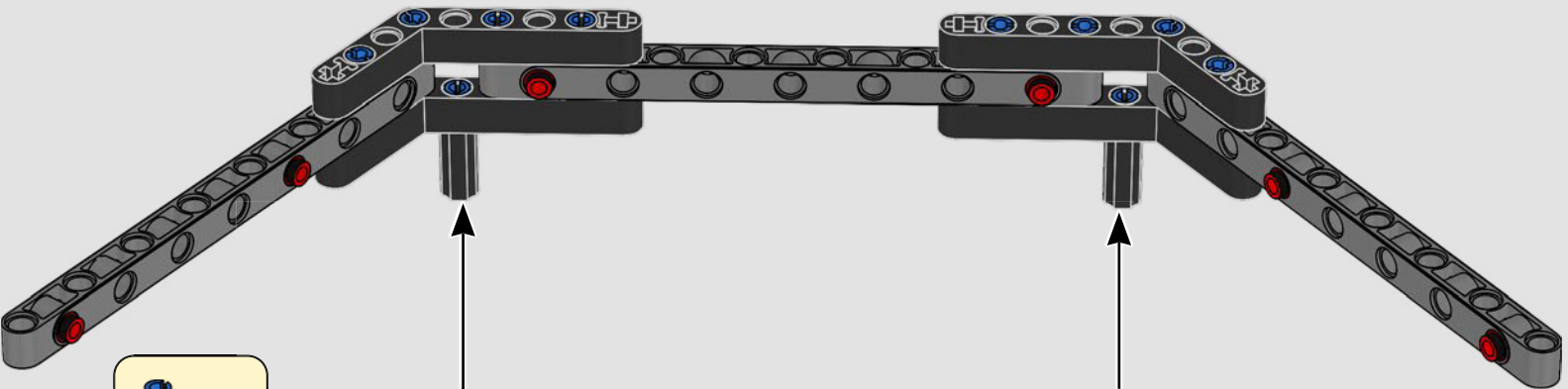


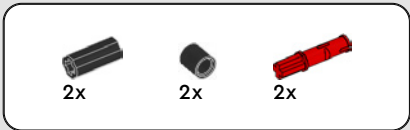
434



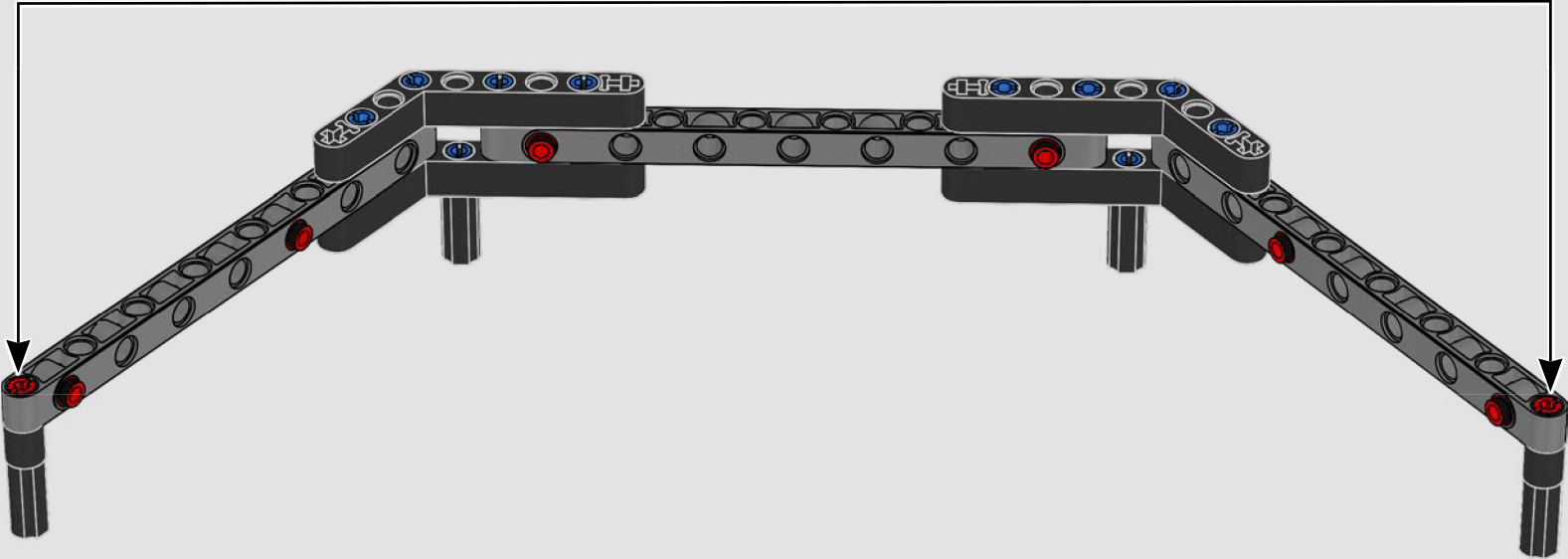
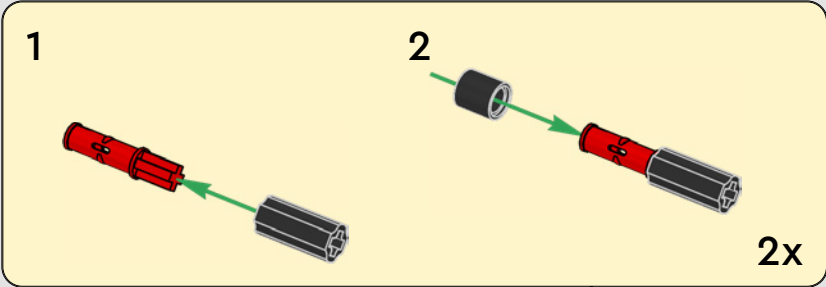


435





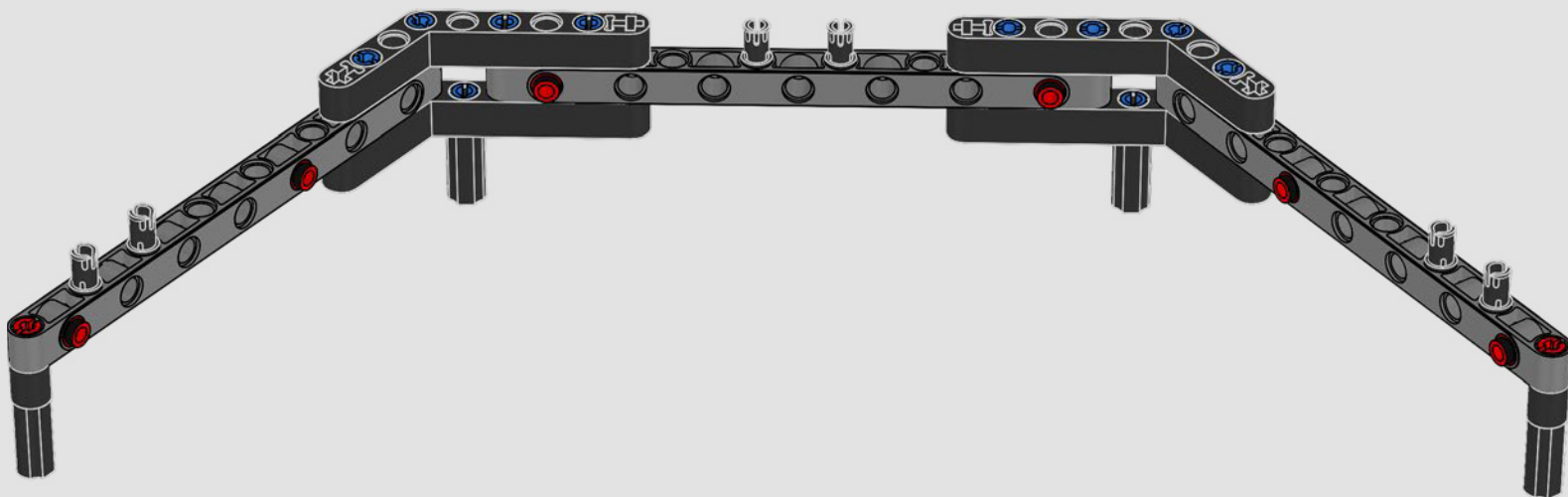
436

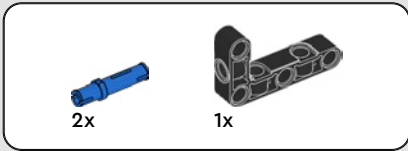
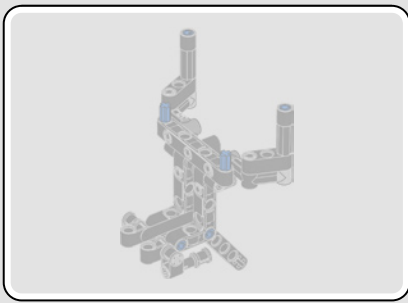




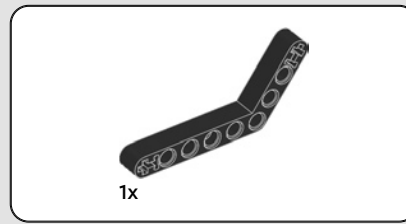
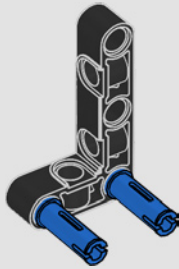
6x

437

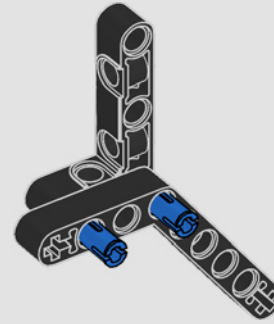




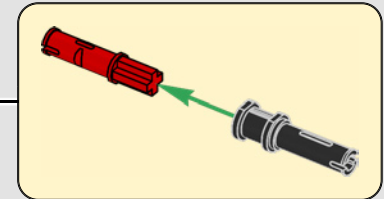
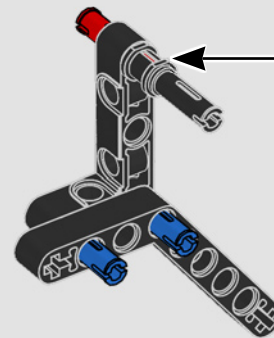
438

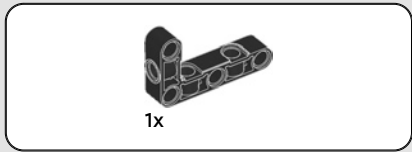


439

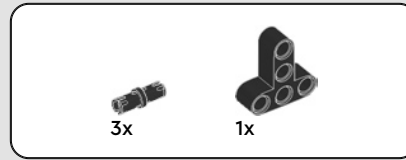
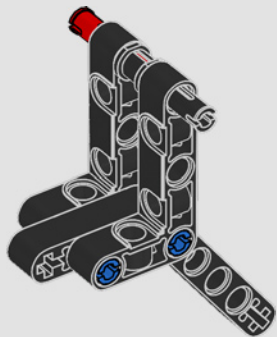


440

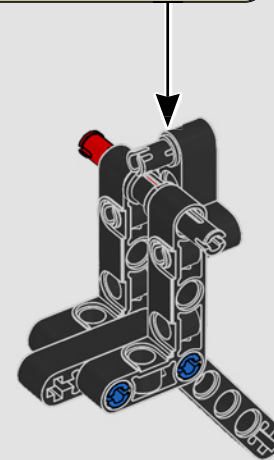
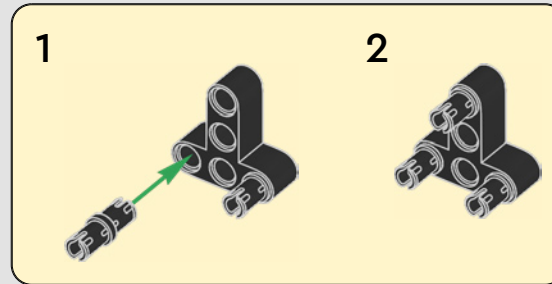




441



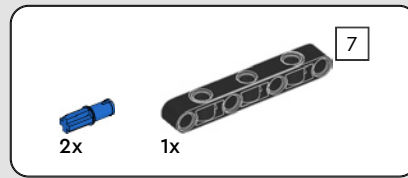
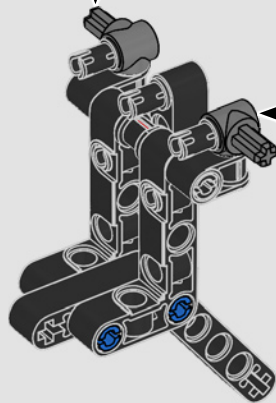
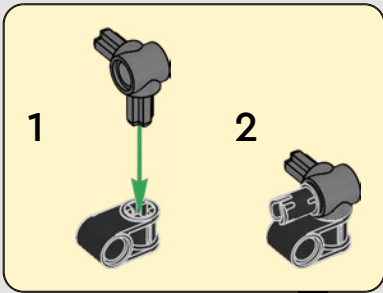
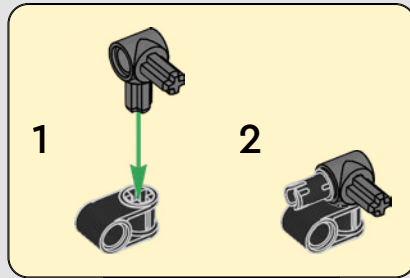
442



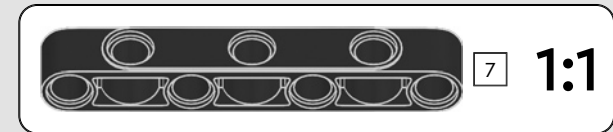
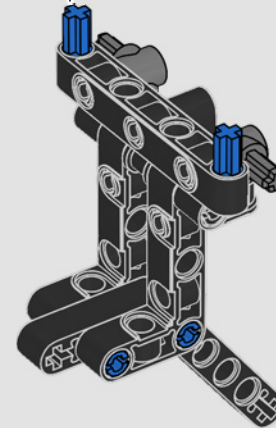
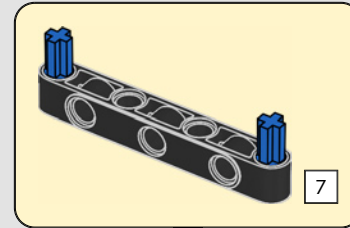


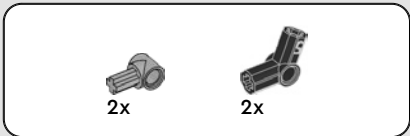


443

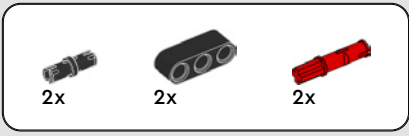
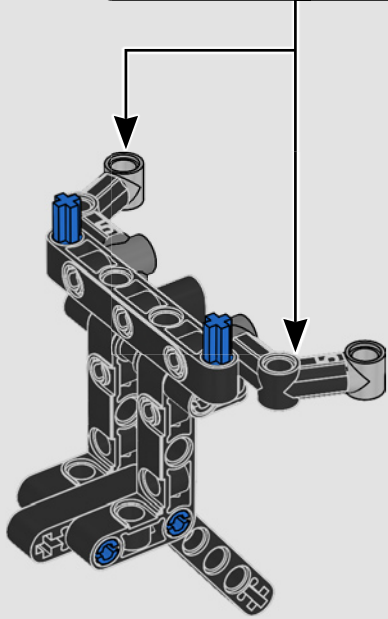
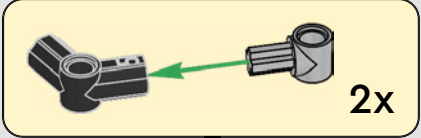


444

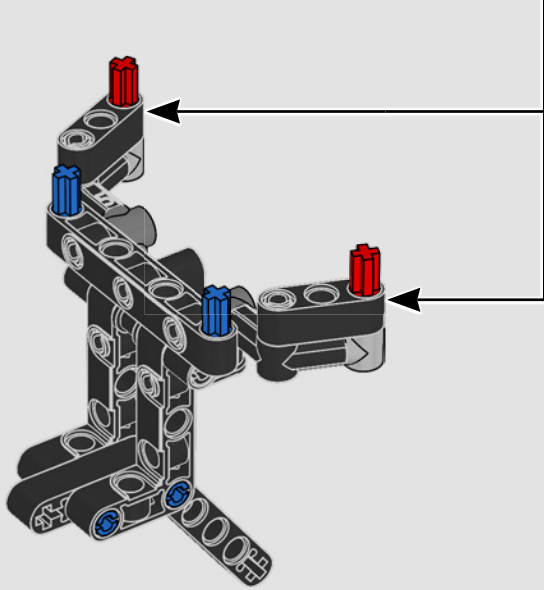
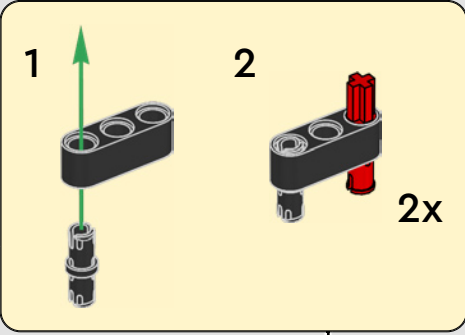


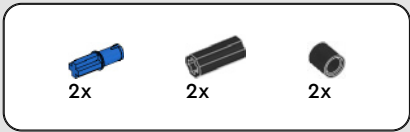


# 445

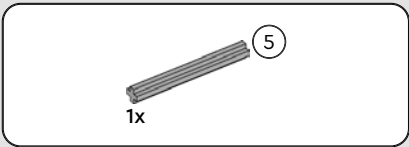
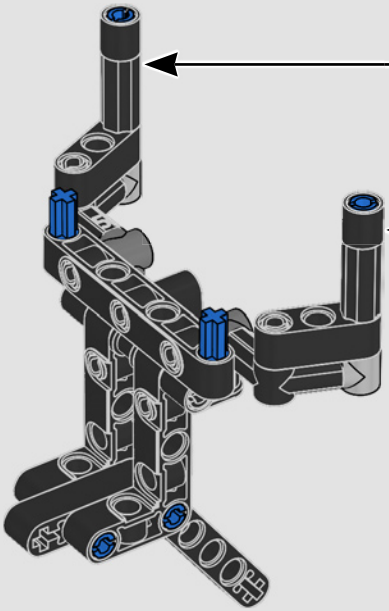
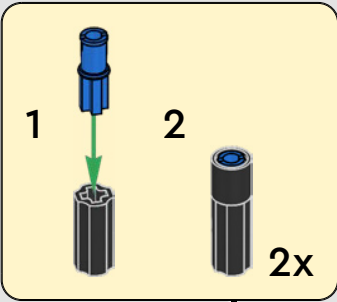


# 446

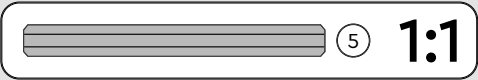
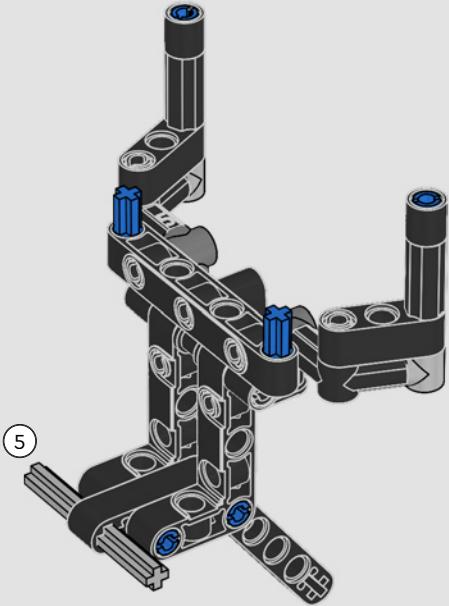




447



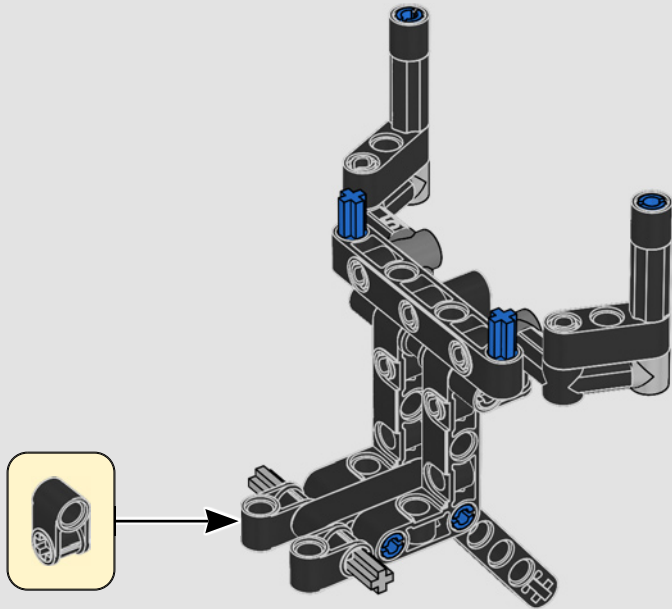
448





2x

# 449

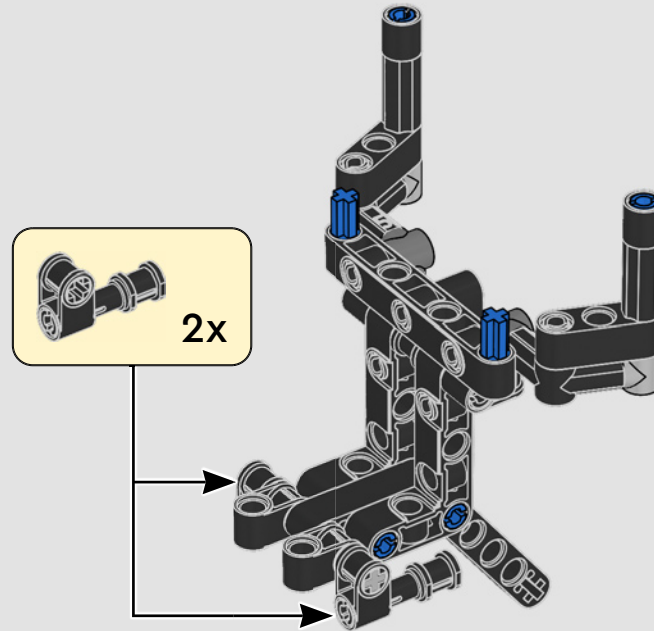


2x

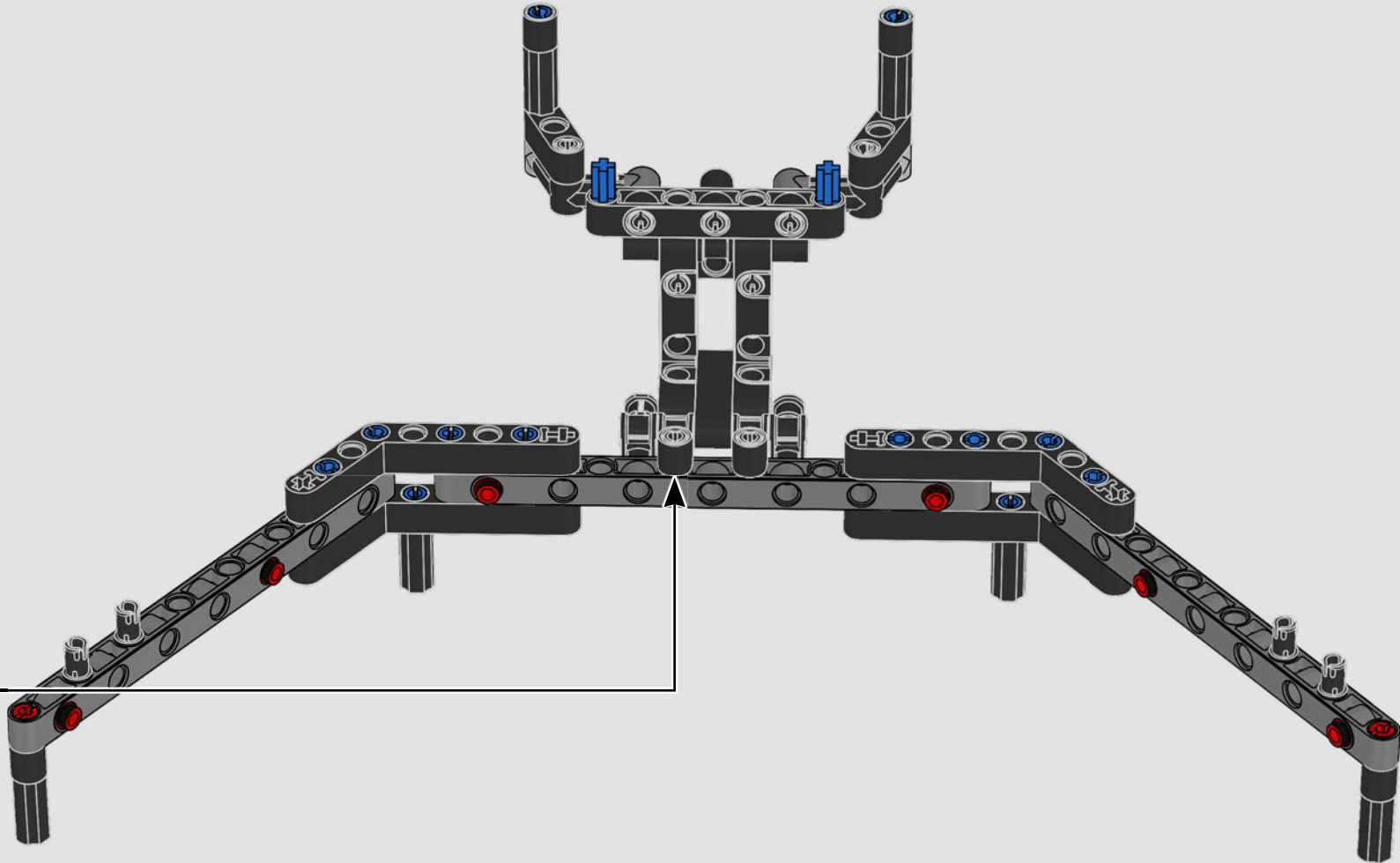


2x

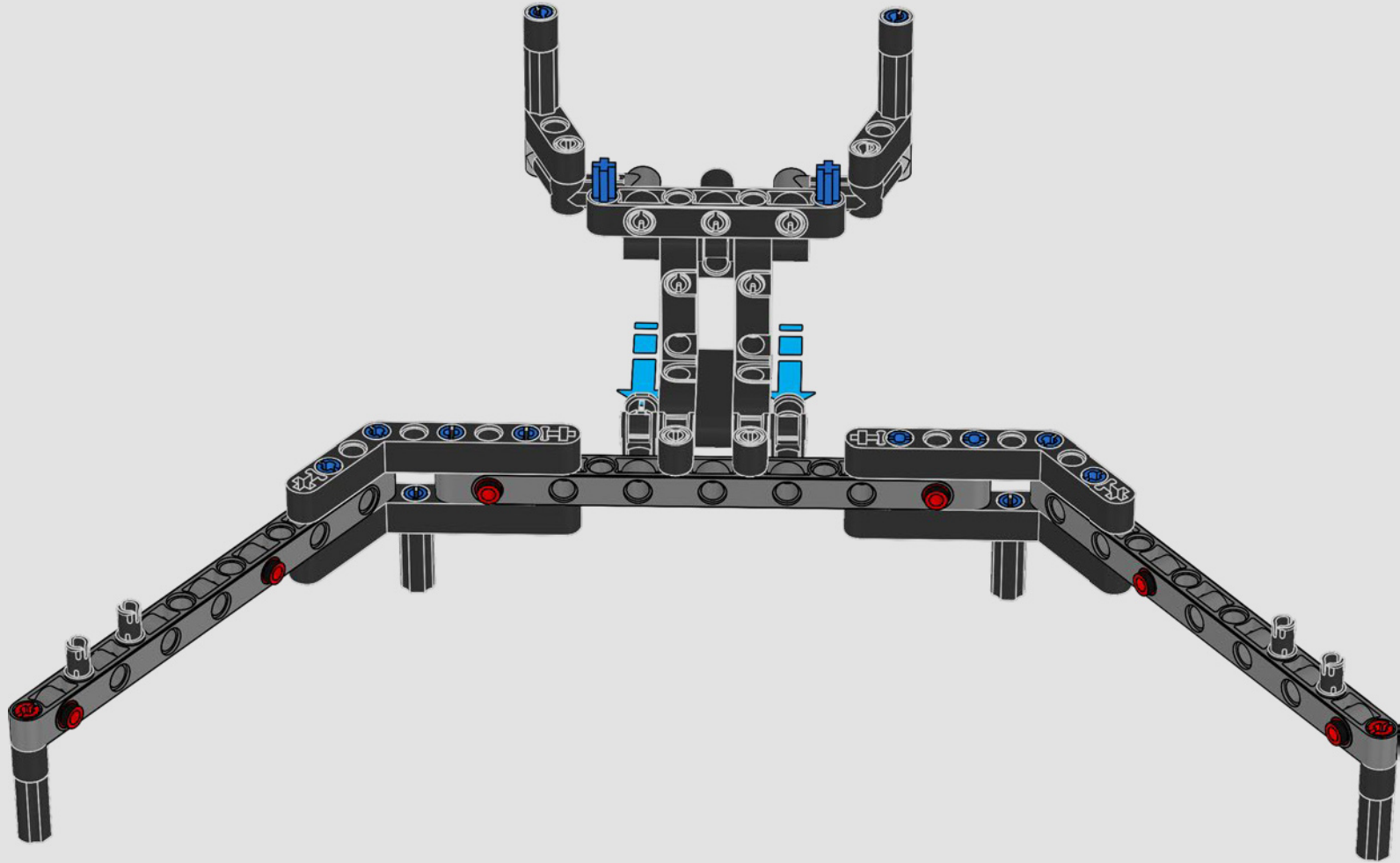
# 450

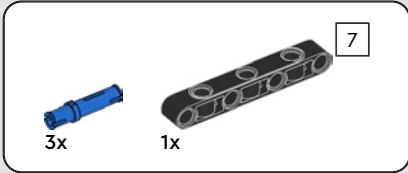
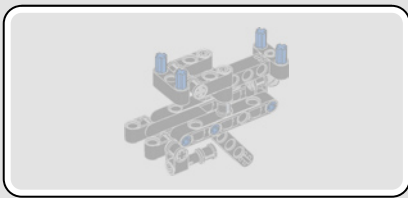


451

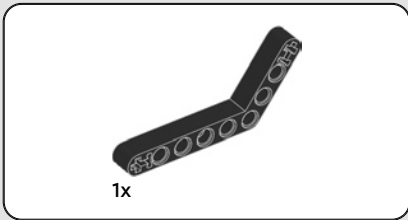
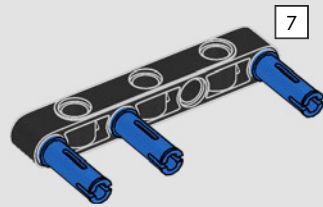


452

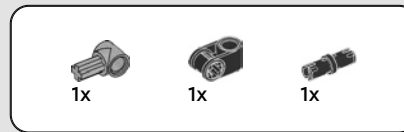
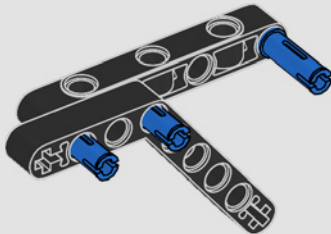




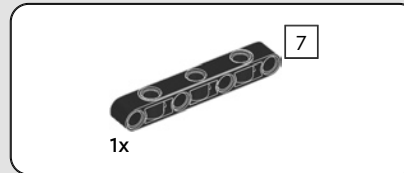
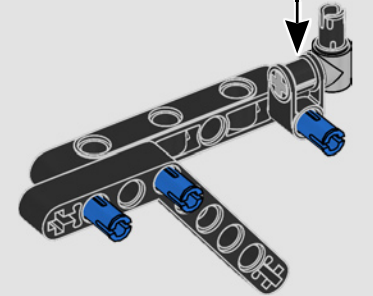
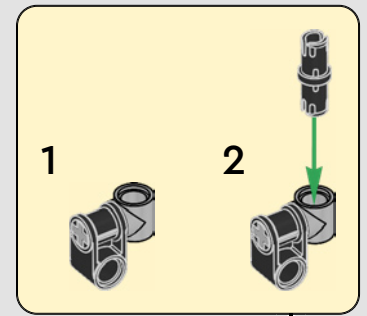
453



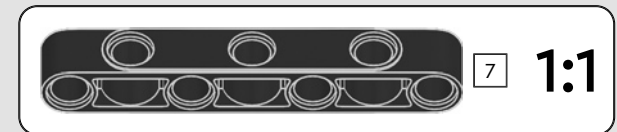
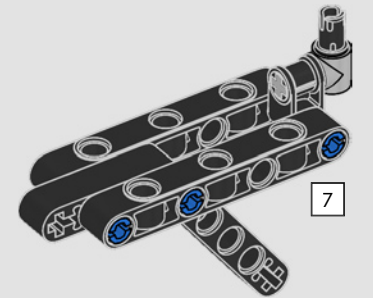
454

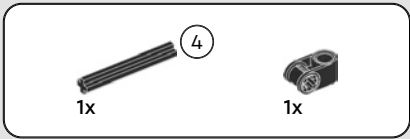


455

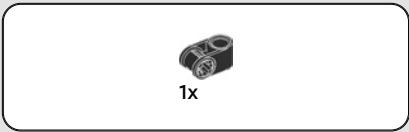
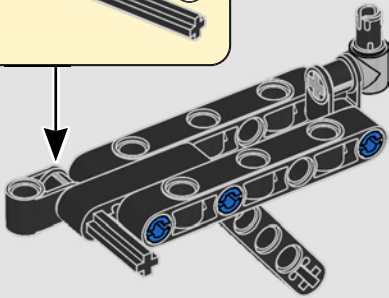
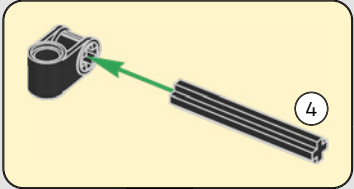


456

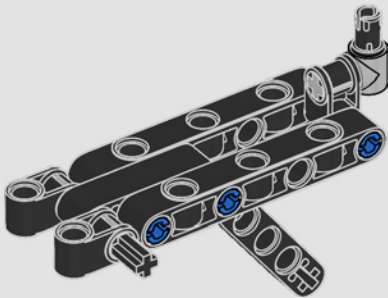




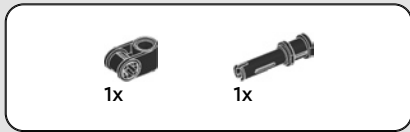
457



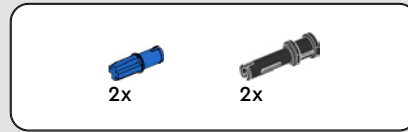
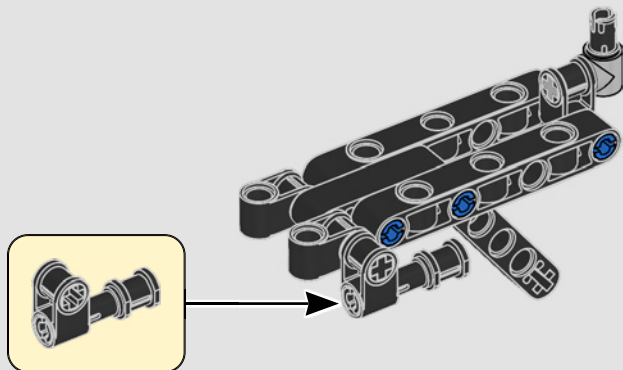
458



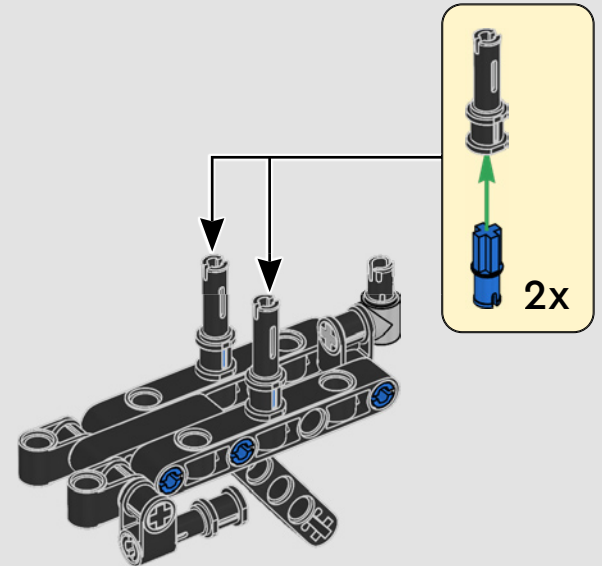


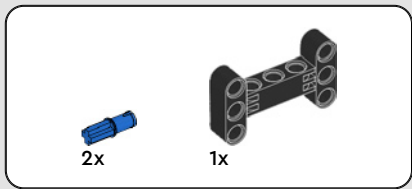


459

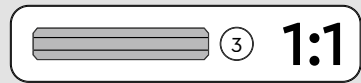
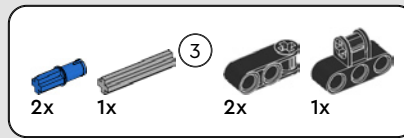
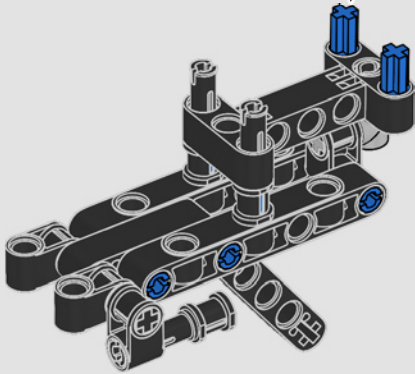
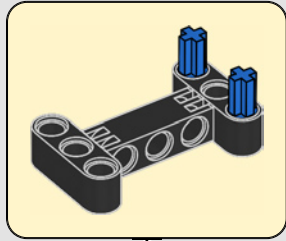


460

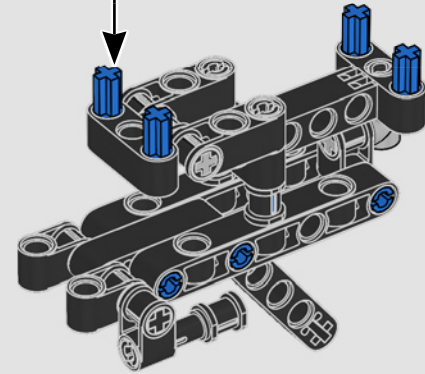
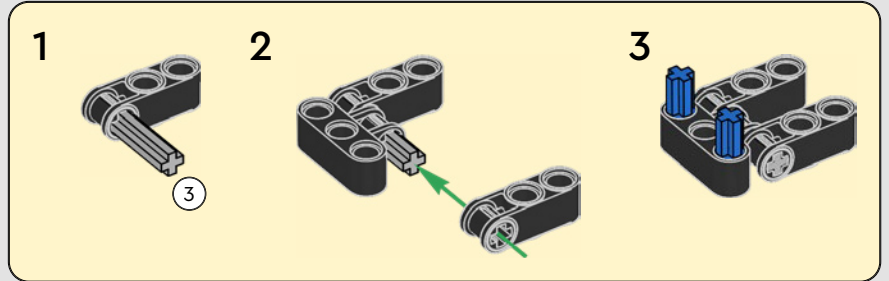




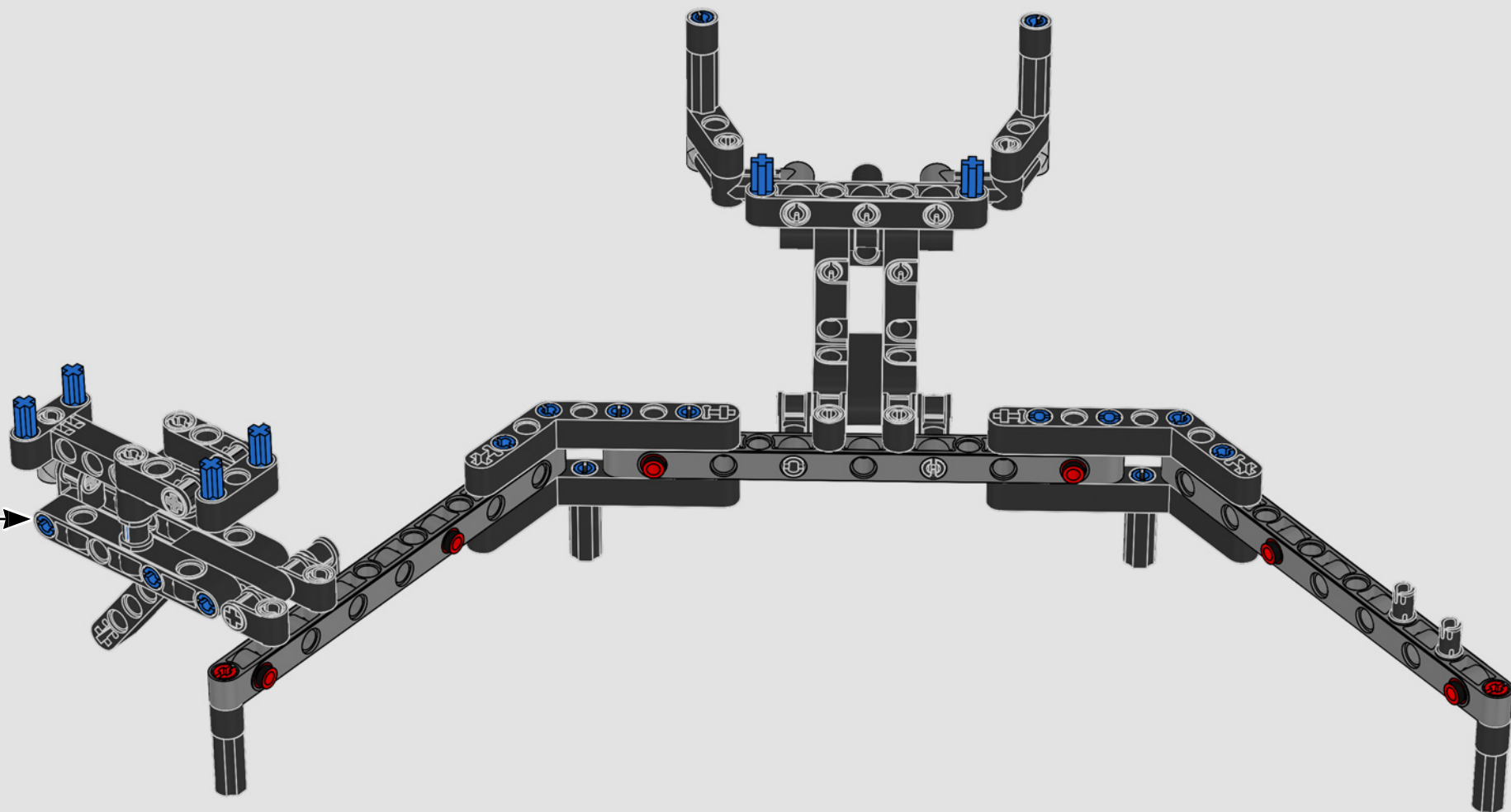
461



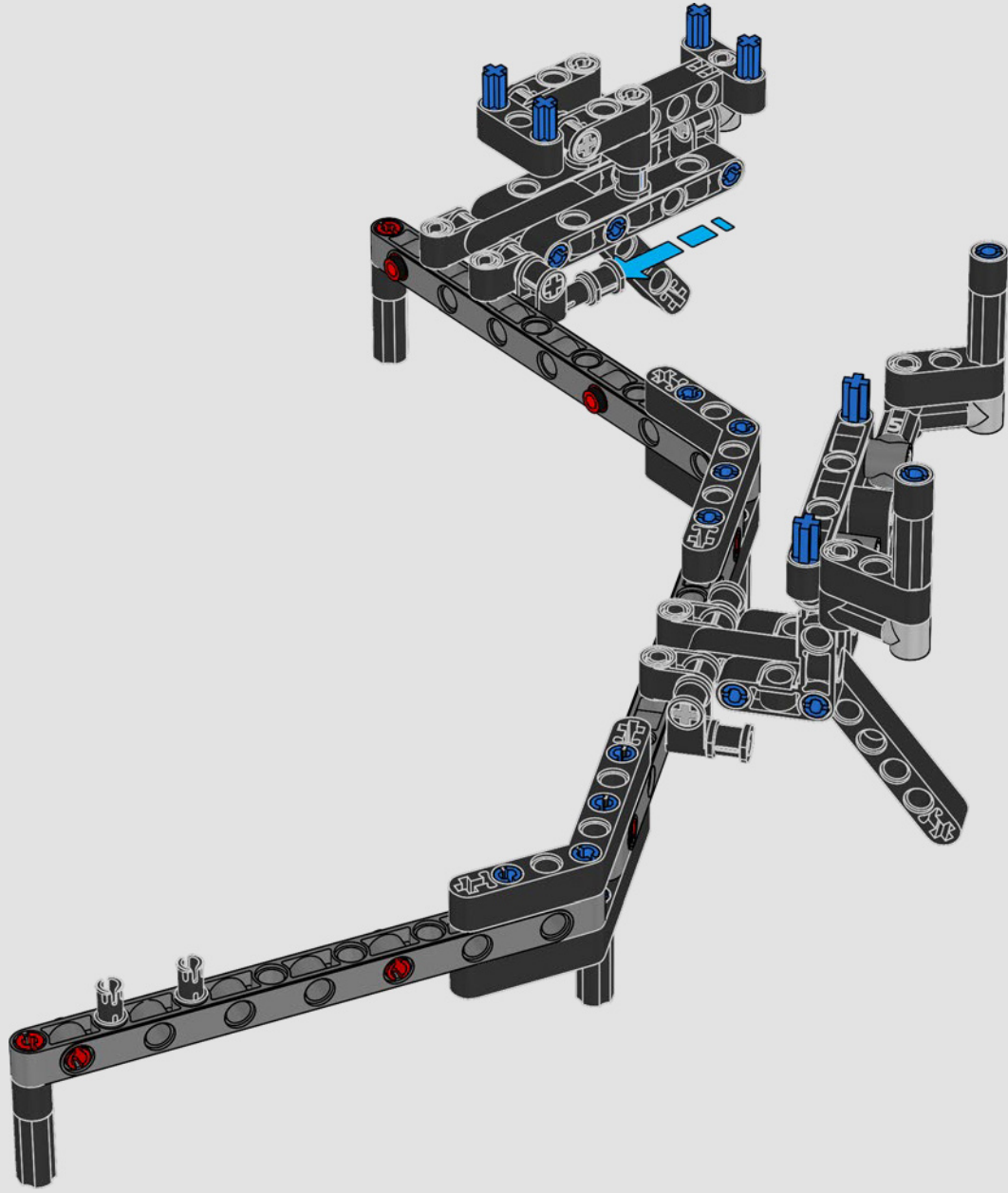
462

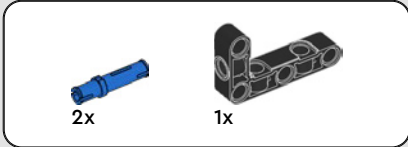
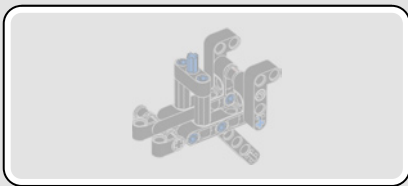


463

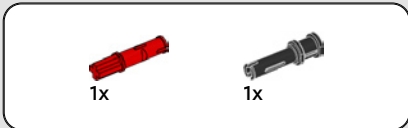
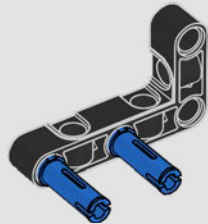


464

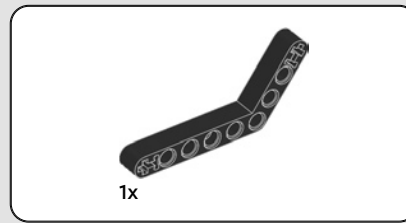
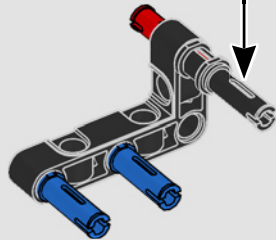
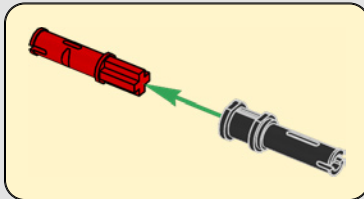




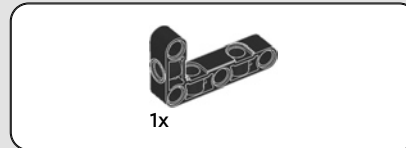
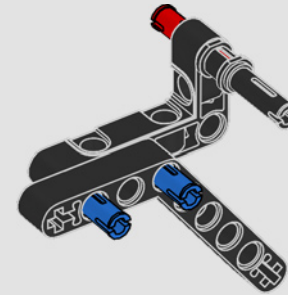
465



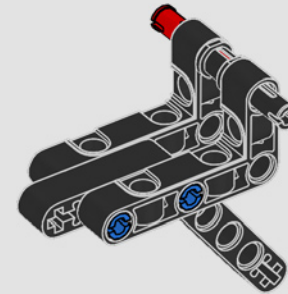
466

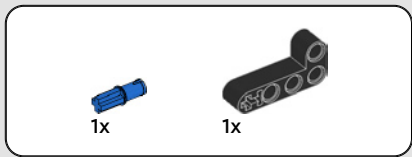


467

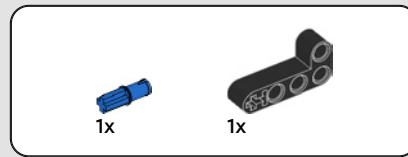
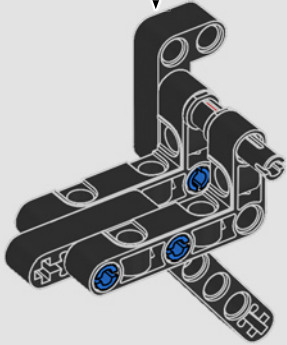
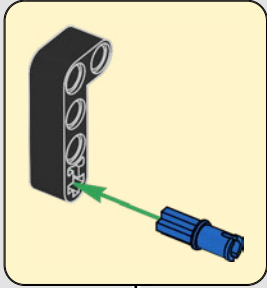


468

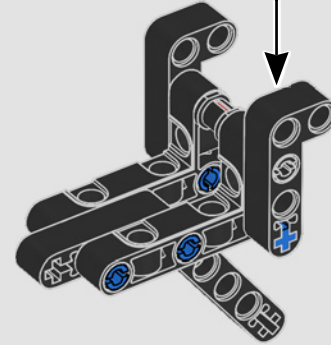
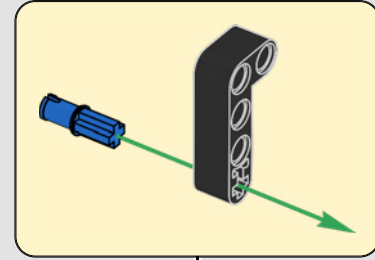


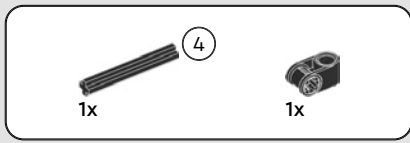


469

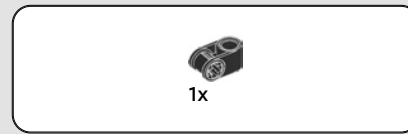
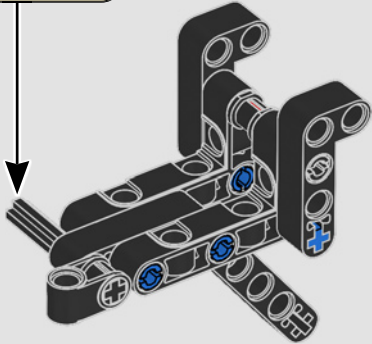
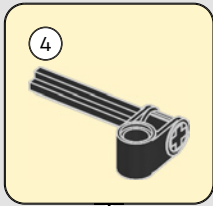


470

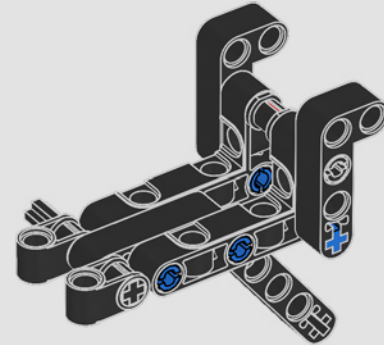


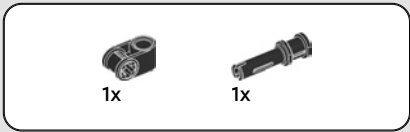


471

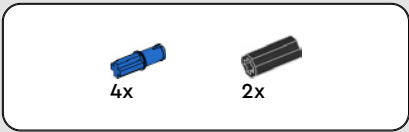
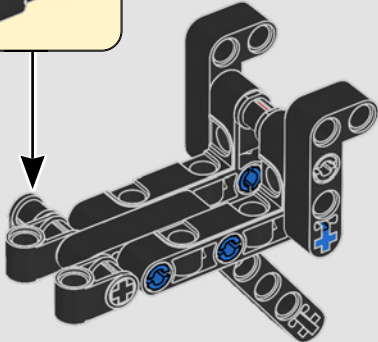


472

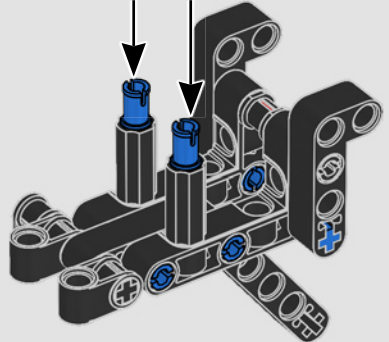
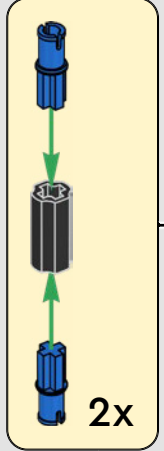




473



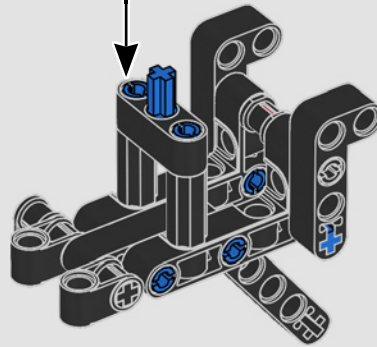
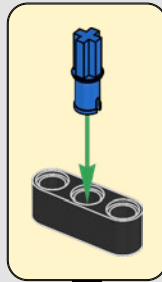
474



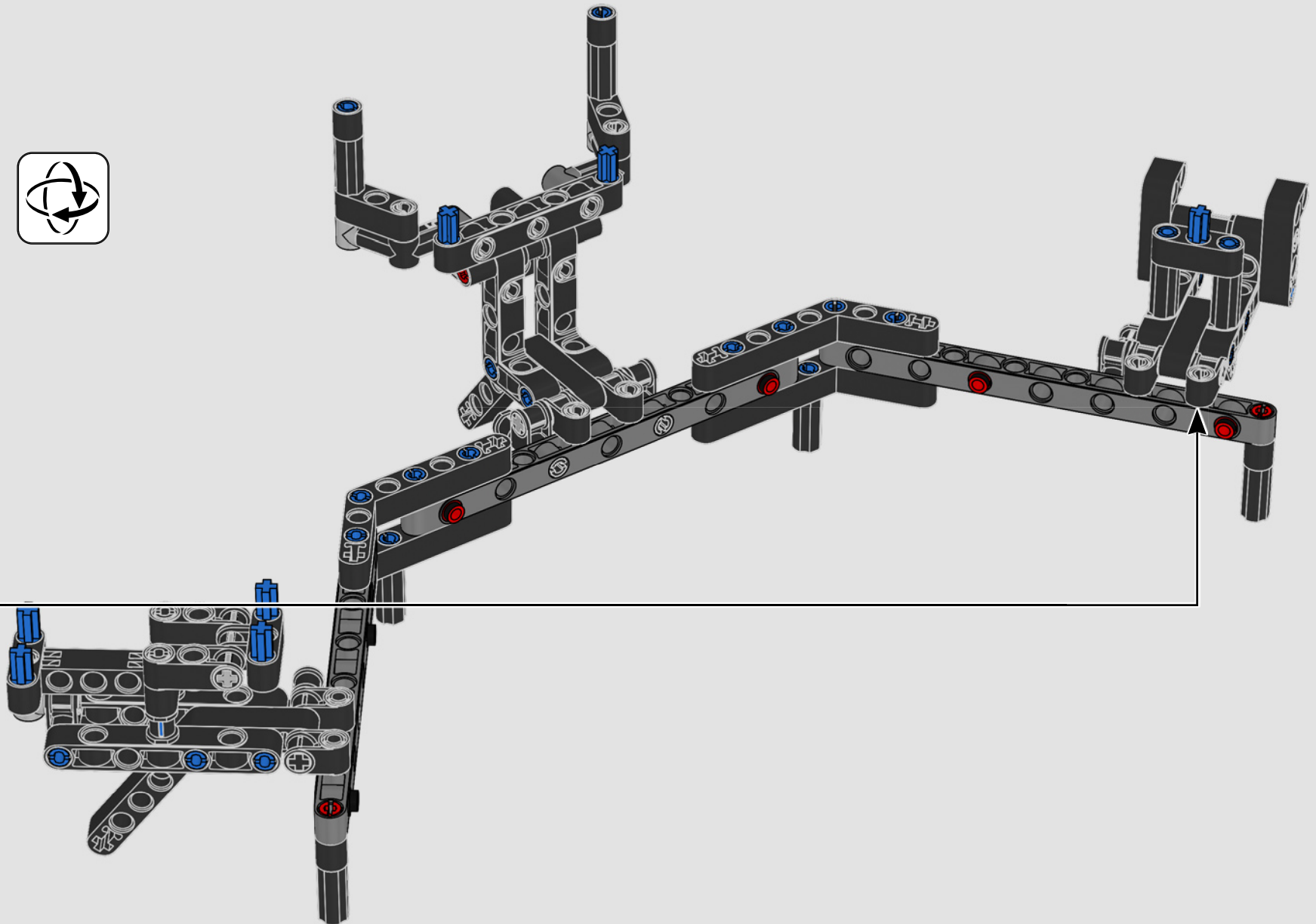




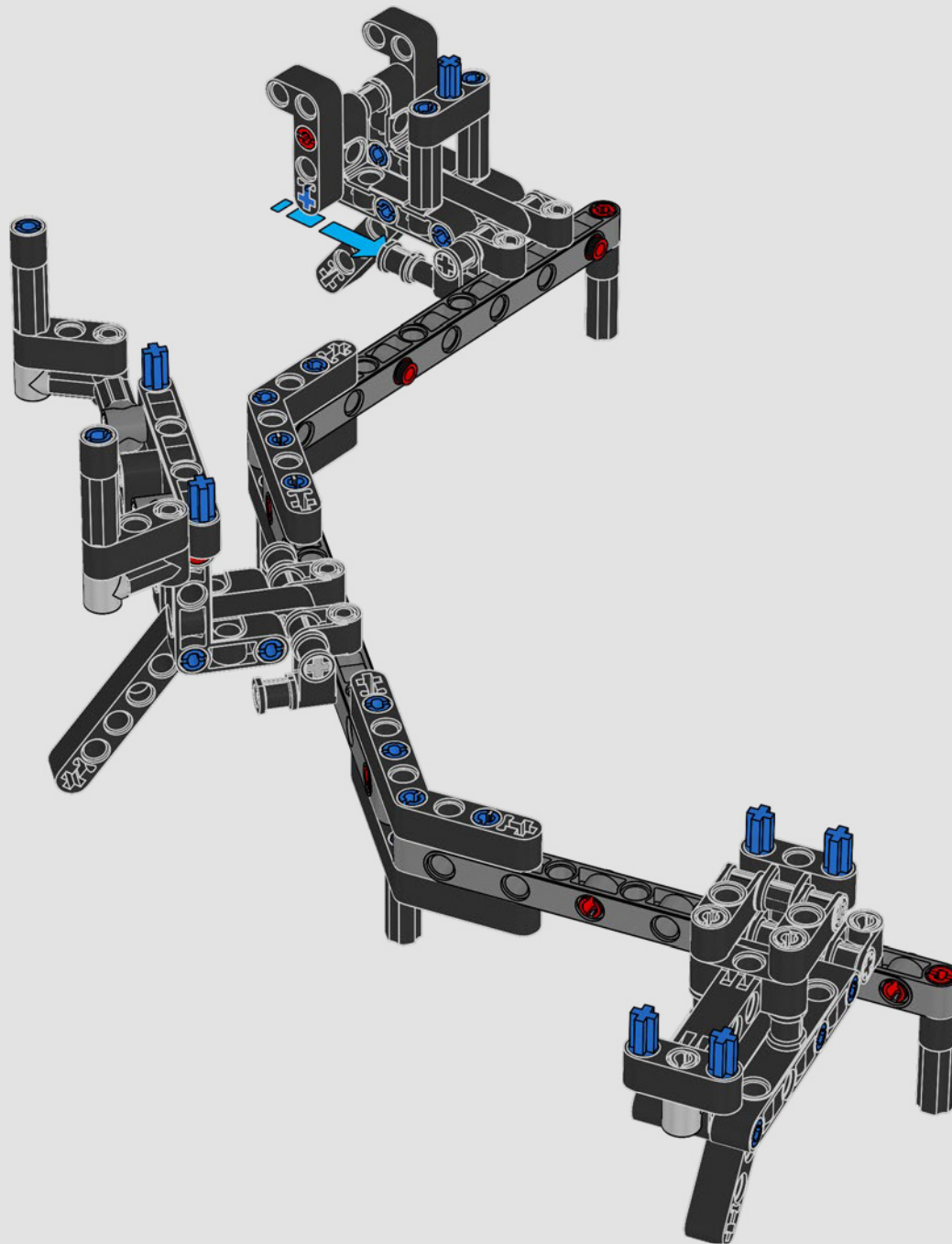
475



476



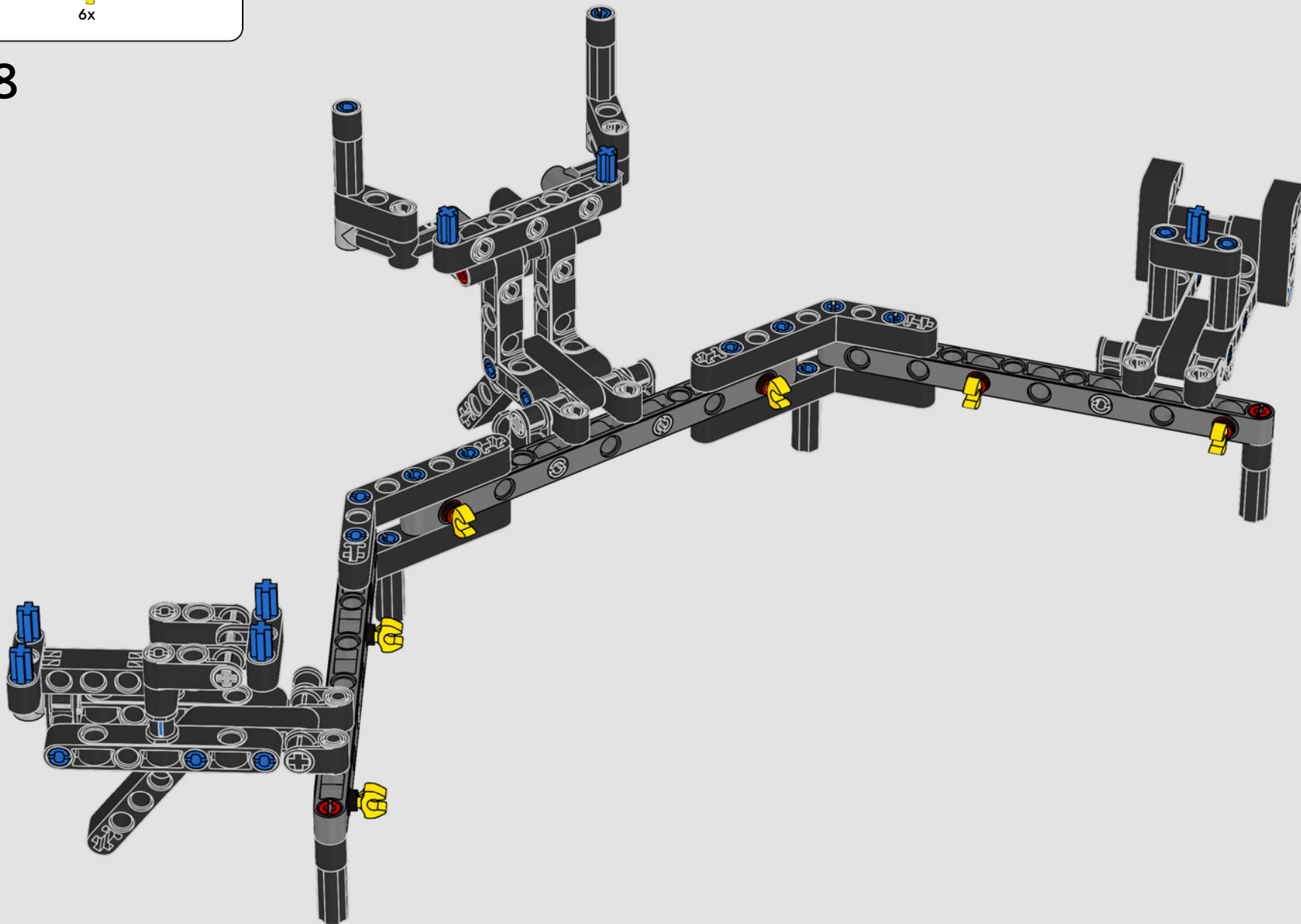
477

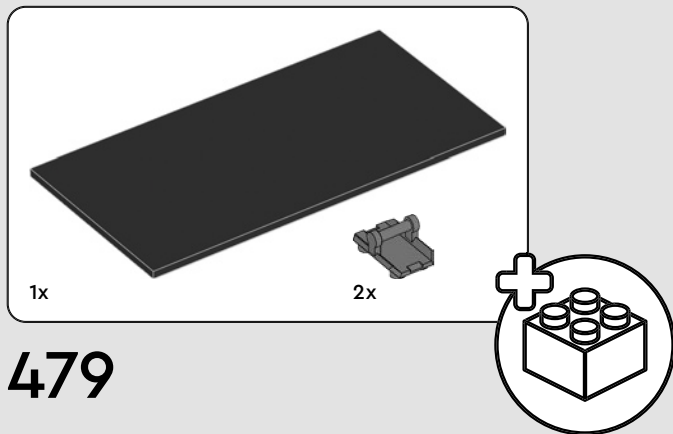




6x

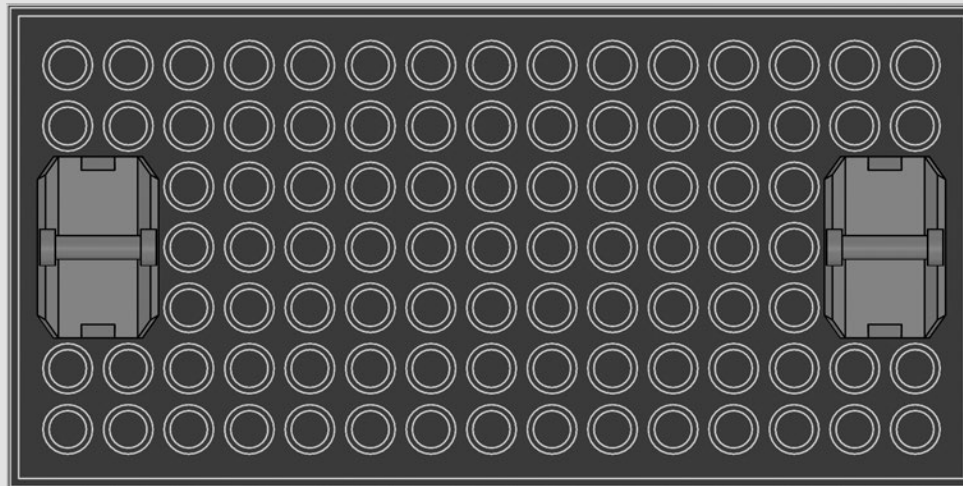
478





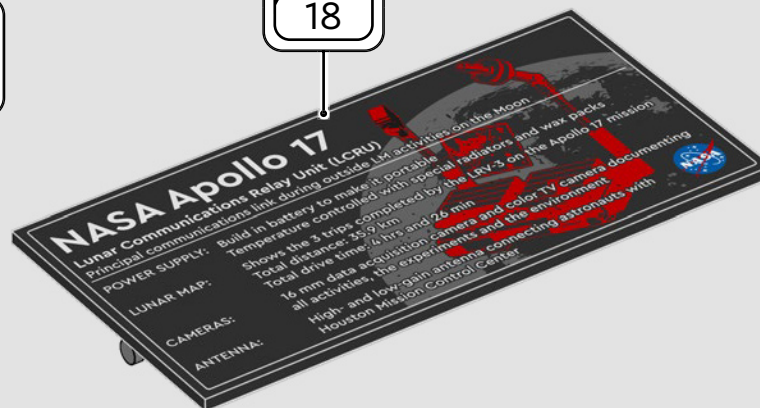
479

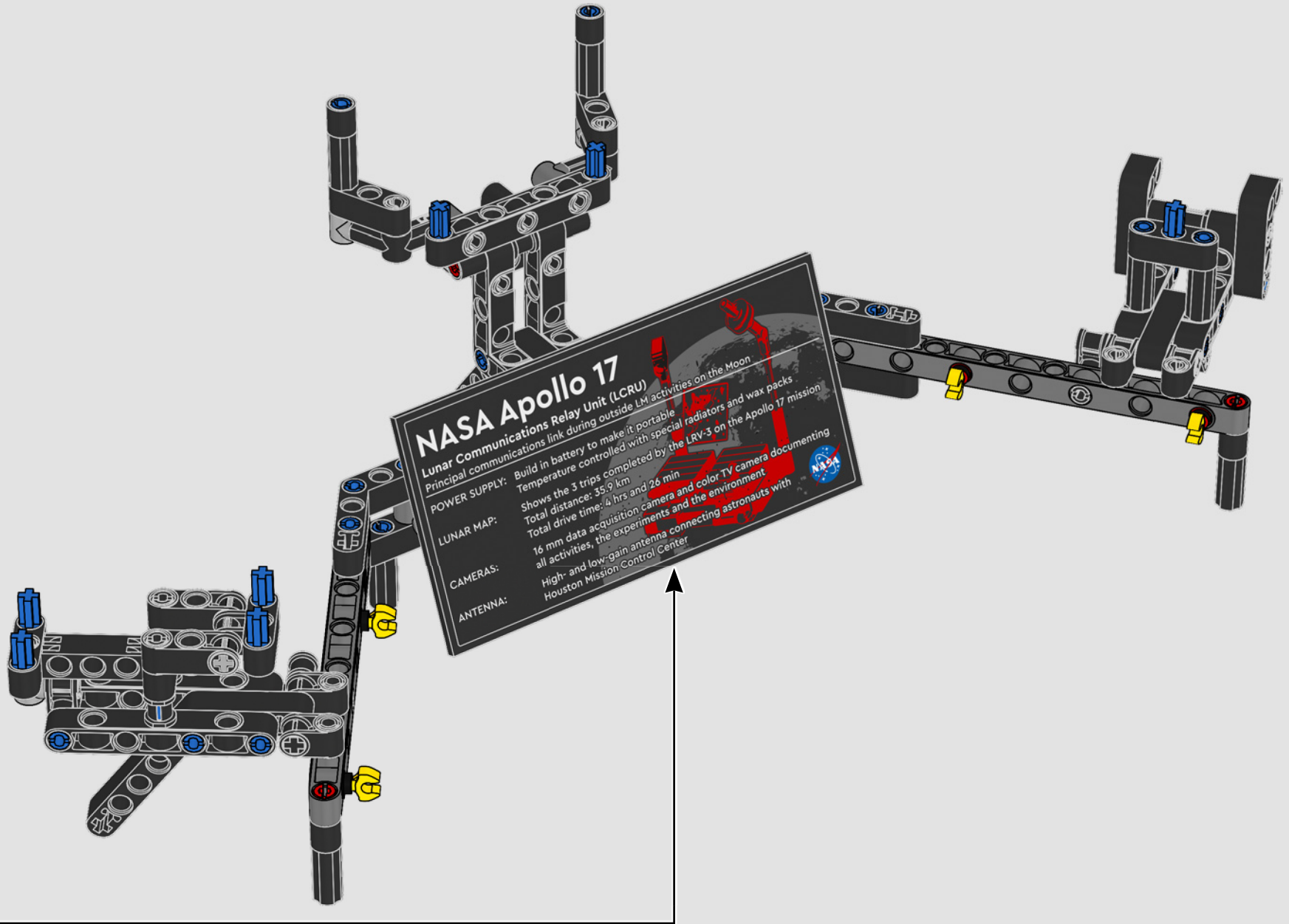
1

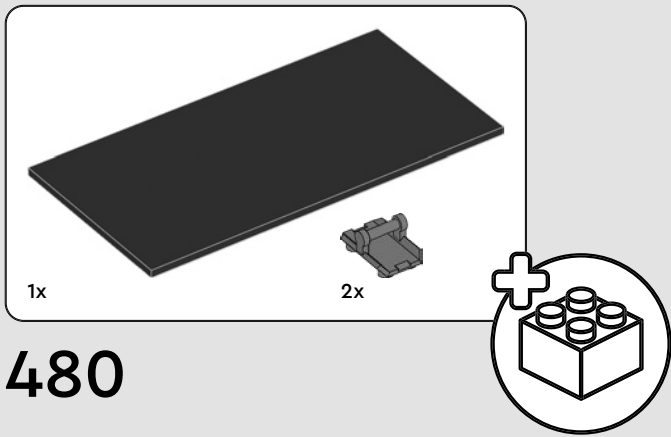


1:1

2

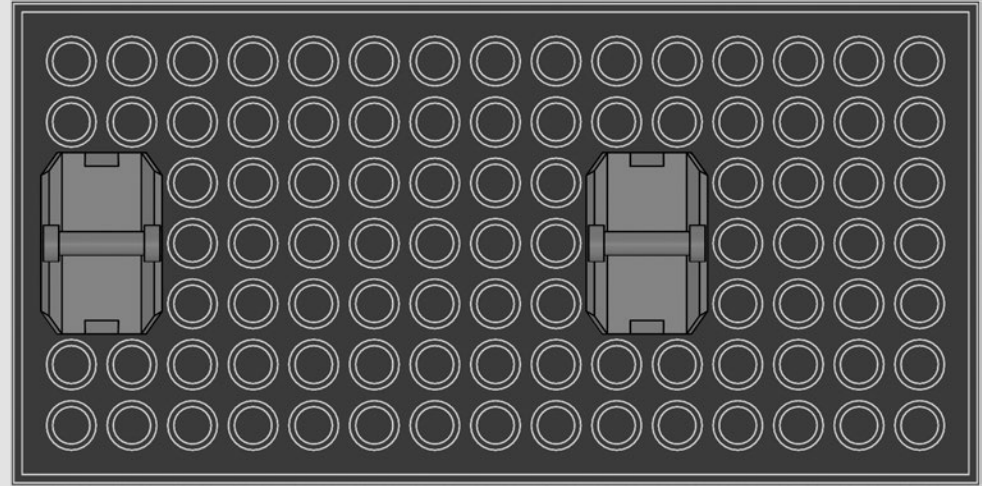






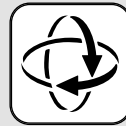
480

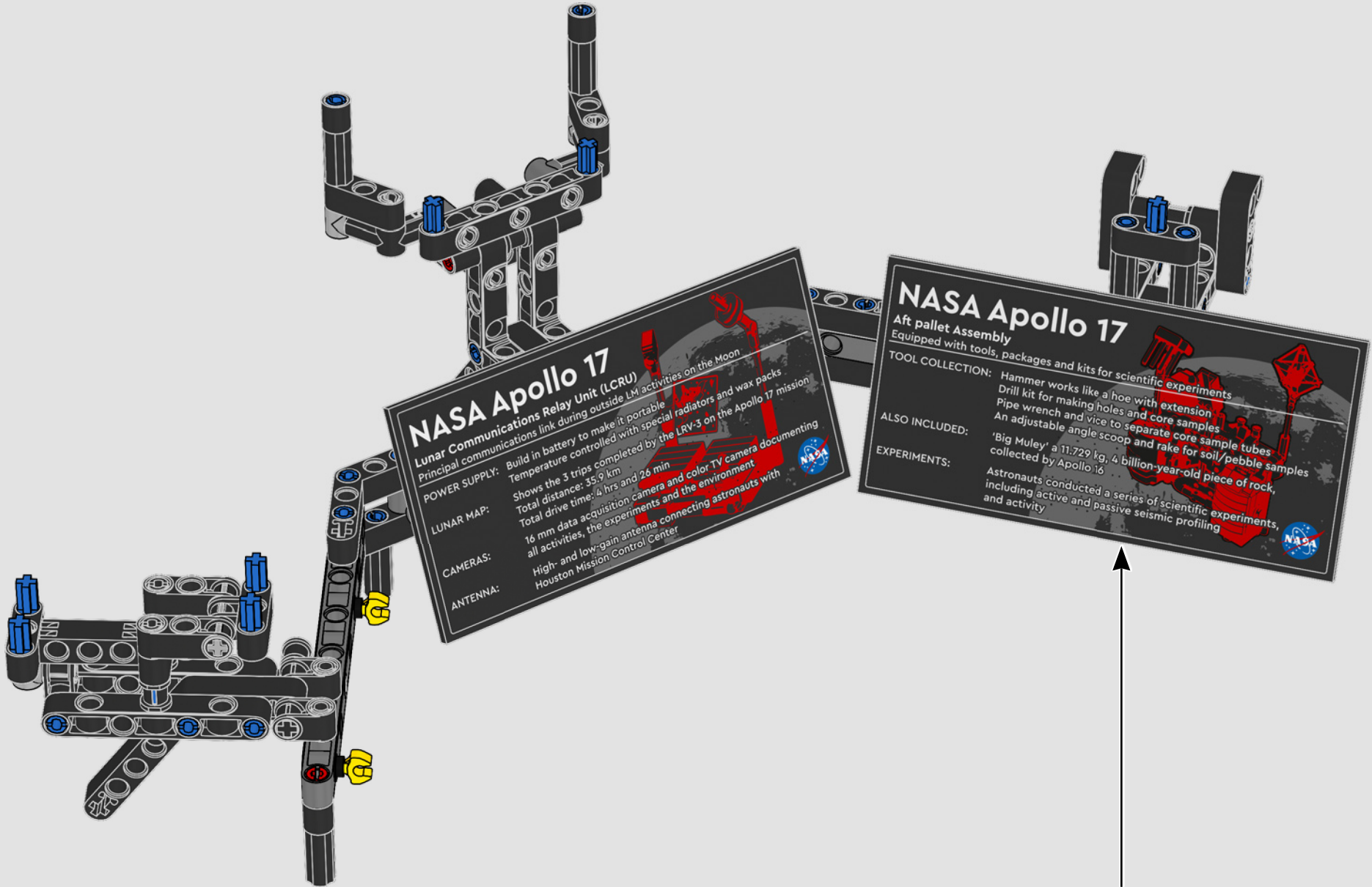
1



1:1

2





## NASA Apollo 17

**Lunar Communications Relay Unit (LCRU)**  
 Principal communications link during outside LM activities on the Moon

**POWER SUPPLY:** Build in battery to make it portable  
 Temperature controlled with special radiators and wax packs

**LUNAR MAP:** Shows the 3 trips completed by the LRV-3 on the Apollo 17 mission  
 Total distance: 35.9 km  
 Total drive time: 4 hrs and 26 min

**CAMERAS:** 16 mm data acquisition camera and color TV camera documenting all activities, the experiments and the environment

**ANTENNA:** High- and low-gain antenna connecting astronauts with Houston Mission Control Center

## NASA Apollo 17

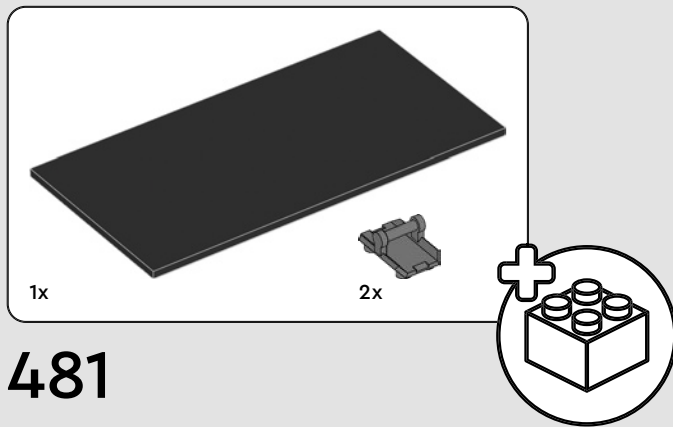
**Aft pallet Assembly**  
 Equipped with tools, packages and kits for scientific experiments

**TOOL COLLECTION:** Hammer works like a hoe with extension  
 Drill kit for making holes and core samples  
 Pipe wrench and vice to separate core sample tubes  
 An adjustable angle scoop and rake for soil/pebble samples

**ALSO INCLUDED:** 'Big Muley' a 11.729 kg, 4 billion-year-old piece of rock, collected by Apollo 16

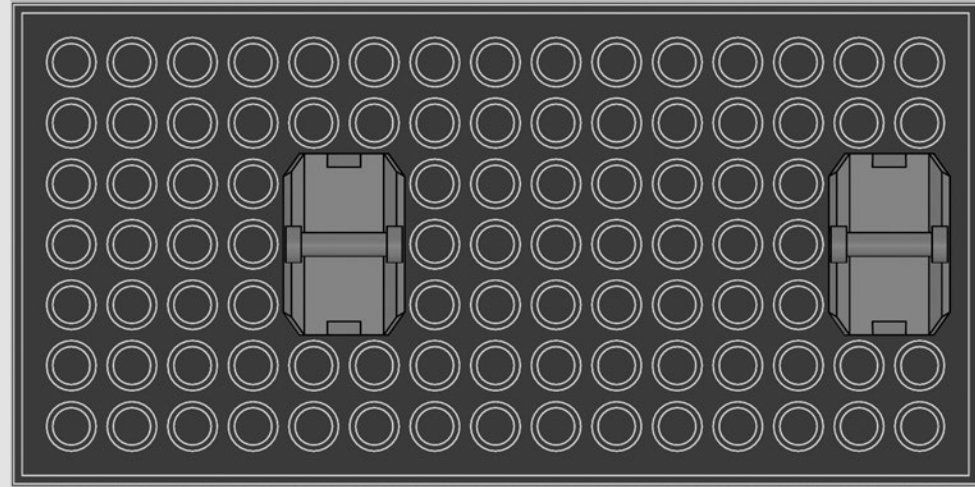
**EXPERIMENTS:** Astronauts conducted a series of scientific experiments, including active and passive seismic profiling and activity





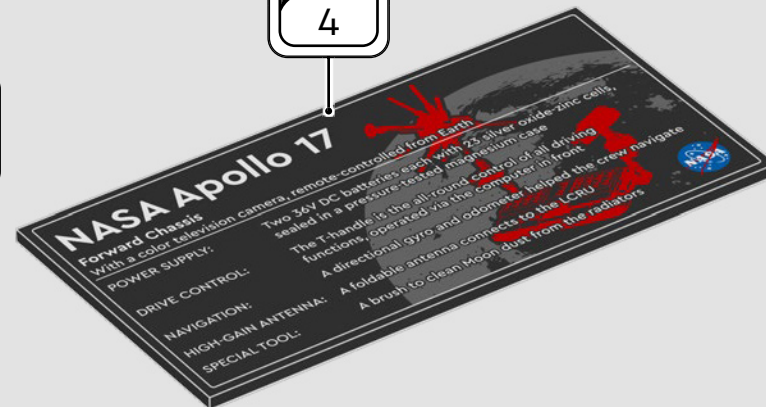
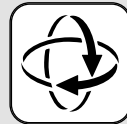
481

1



1:1

2





## NASA Apollo 17

### Forward Chassis

With a color television camera, remote-controlled from Earth

**POWER SUPPLY:** Two 36V DC batteries each with 23 silver oxide-zinc cells, sealed in a pressure-tested magnesium case

**DRIVE CONTROL:** The T-handle is the all-round control of all driving functions, operated via the computer in front

**NAVIGATION:** A directional gyro and odometer helped the crew navigate

**HIGH-GAIN ANTENNA:** A foldable antenna connects to the LCRU

**SPECIAL TOOL:** A brush to clean Moon dust from the radiators

## NASA Apollo 17

### Lunar Communications Relay Unit (LCRU)

Principal communications link during outside LM activities on the Moon

**POWER SUPPLY:** Build in battery to make it portable  
Temperature controlled with special radiators and wax packs

**LUNAR MAP:** Shows the 3 trips completed with special radiators and wax packs  
Total distance: 35.9 km  
Total drive time: 4 hrs and 26 min

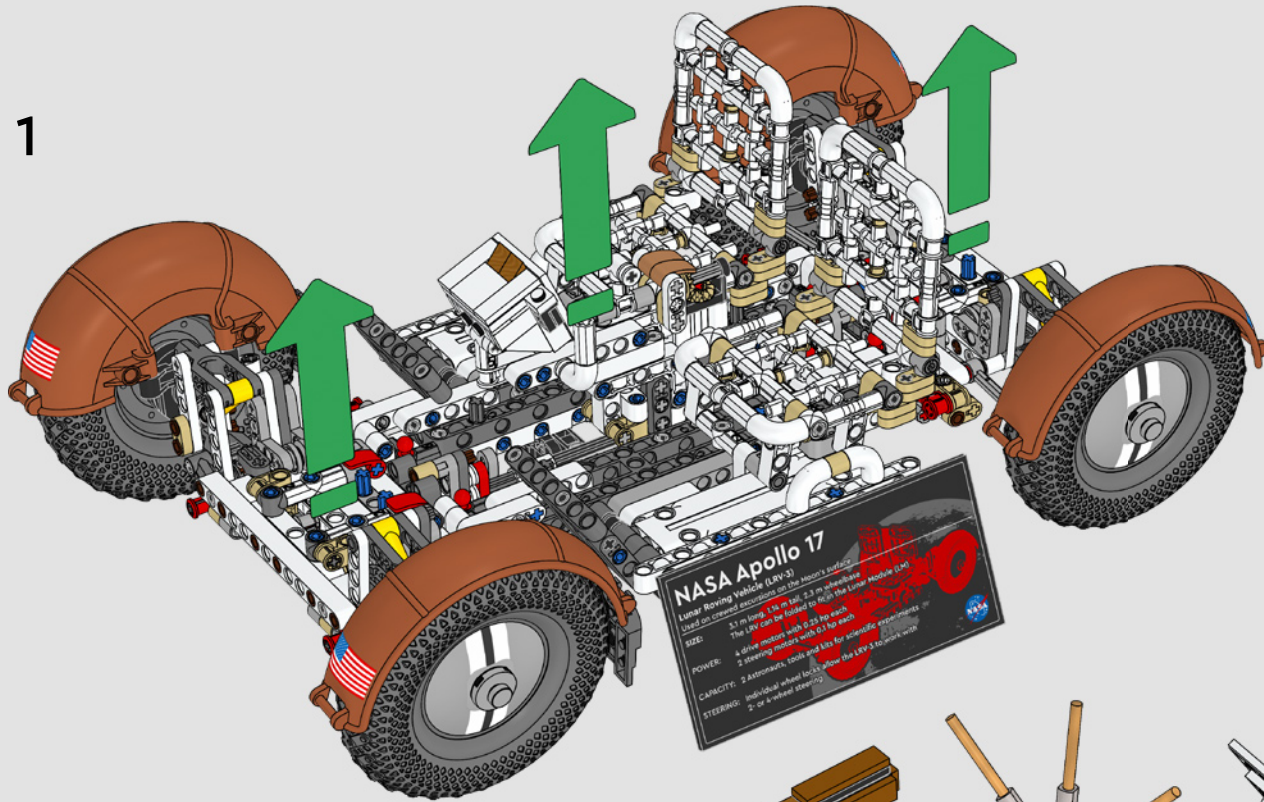
**CAMERAS:** 16 mm data acquisition camera and color TV camera documenting all activities, the experiments and the environment

**ANTENNA:** High- and low-gain antenna connecting astronauts with Houston Mission Control Center

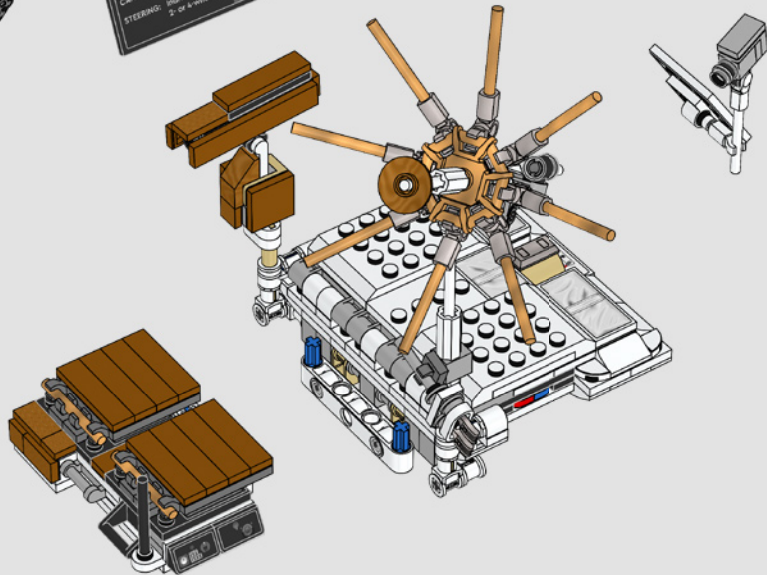
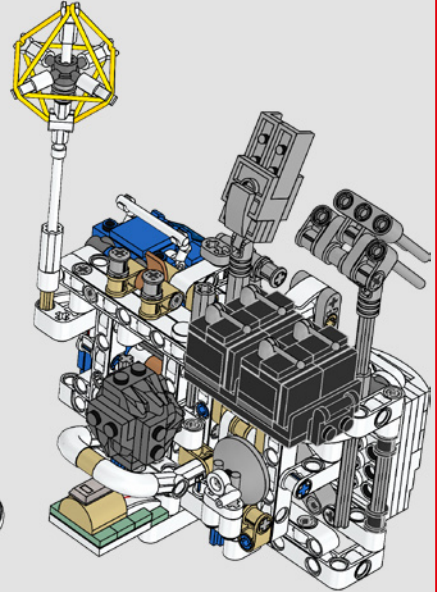
## NASA Apollo 17

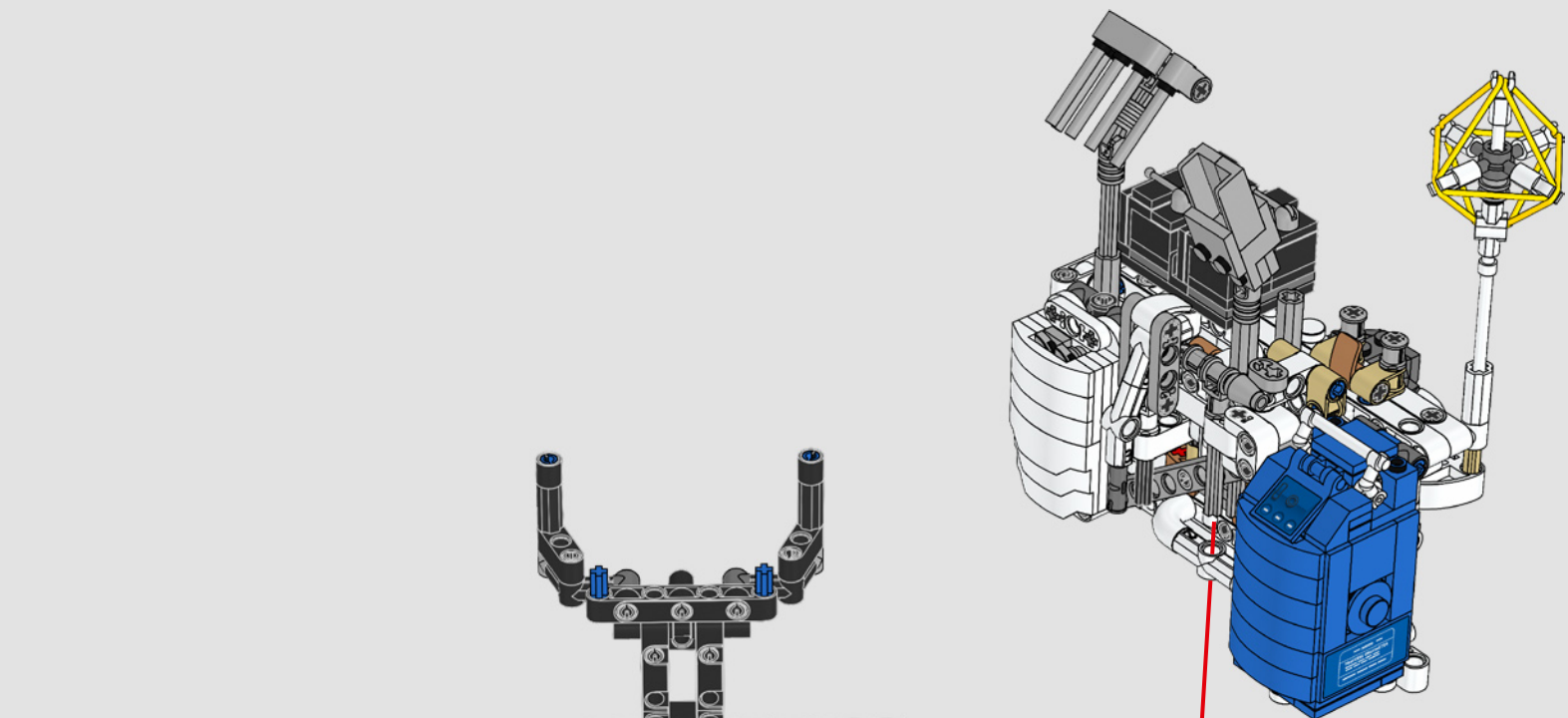
Information card partially visible, showing text and a red handprint graphic.

1



**NASA Apollo 17**  
Lunar Roving Vehicle (LRV-5)  
Used on several missions on the Moon's surface.  
SIZE: 3.1 m long, 1.14 m wide, 2.3 m wheelbase  
The LRV can be loaded to full. The Lunar Module (LM) LRV can be loaded to full. The Lunar Module (LM) LRV can be loaded to full.  
POWER: 4 drive motors with 0-63 hp each  
3 steering motors with 63 hp each  
CAPACITY: 2 Astronauts, tools and kits for scientific experiments  
STEERING: Individual wheel locks for the LRV to park with 0- or 4-wheel steering.





### NASA Apollo 17

**Forward Chassis**  
With a color television camera, remote-controlled from Earth.

**POWER SUPPLY:** Two 34V DC batteries, each with 24 three-watt zinc cells, sealed in a pressure vessel, magnesium/case.

**DRIVE CONTROL:** The 1 handle is the **drive control** of all driving functions, operated via the **control console**.

**NAVIGATION:** A directional gyro and compass located in the crew module.

**HIGH-GAIN ANTENNA:** A dish 100 cm in diameter, due from the radiators.

**SPECIAL TOOL:**

### NASA Apollo 17

**Lunar Communications Relay Unit (LCRU)**  
Principal communications link during outside LM activities on the Moon.

**POWER SUPPLY:** Build in battery to make it portable. Temperature controlled with special radiators and wax packs.

**LUNAR MAP:** Shows the 3 trips completed by the LRV-3 on the Apollo 17 mission. Total distance: 35.9 km. Total drive time: 4 hrs and 26 min.

**CAMERAS:** 16 mm data acquisition camera and color TV camera documenting all activities, the experiments and the environment.

**ANTENNA:** High- and low-gain antenna connecting astronauts with Houston Mission Control Center.

### NASA Apollo 17

**Air Pallet Assembly**  
Equipped with tools, packages and kits for scientific experiments.

**TOOL COLLECTION:** Hammer, wrench, screwdriver, pliers, and other tools for scientific experiments.

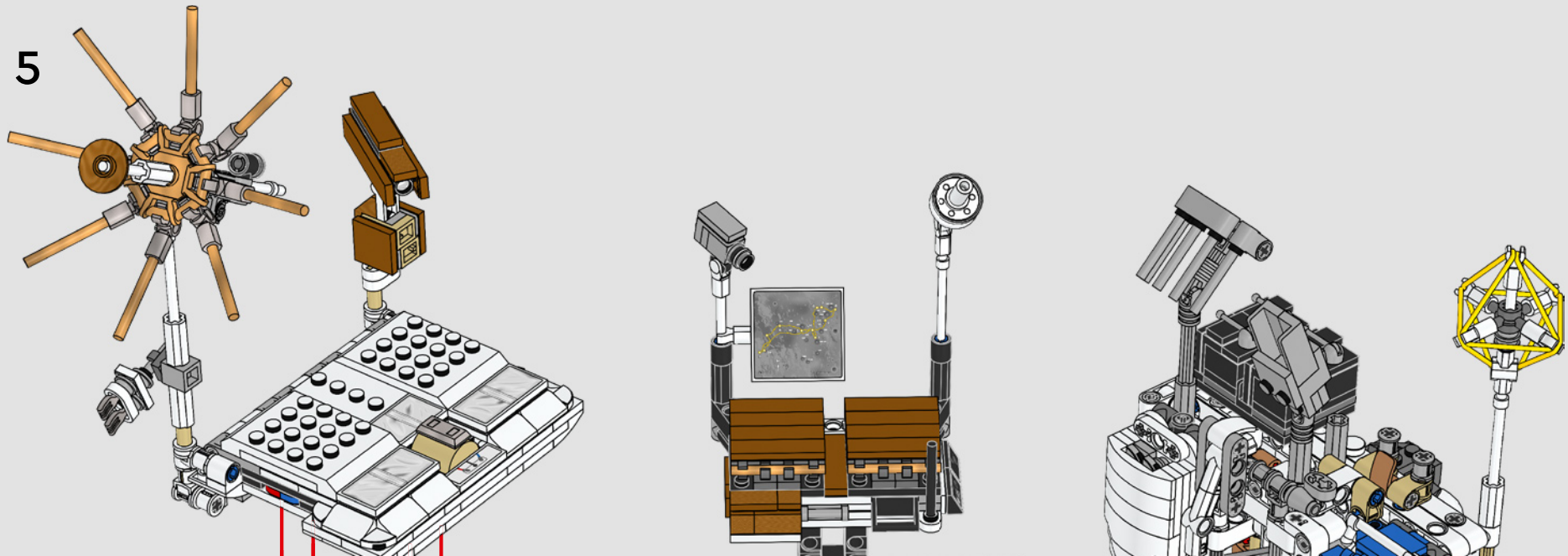
**ALSO INCLUDED:** Hammer, wrench, screwdriver, pliers, and other tools for scientific experiments.

**EXPERIMENTS:** 16 mm data acquisition camera and color TV camera documenting all activities, the experiments and the environment.





5



### NASA Apollo 17

**Forward Crosses**  
This 3x4 DC battery set, with 21 blue module one cells, is used to power the LCRU. The 1 handle is the positive terminal and the 3 other terminals are negative. A directional gyro and compass located behind the cross connects to the LCRU.

**POWER SUPPLY:** Build in battery to make it portable. Temperature controlled with special radiators and wax packs.

**LUNAR MAP:** Shows the 3 trips completed by the LRV-3 on the Apollo 17 mission. Total distance: 35.9 km. Total drive time: 6 hrs and 26 min.

**CAMERAS:** 16 mm data acquisition camera and color TV camera documenting all activities, the experiments and the environment.

**ANTENNA:** High- and low-gain antennas connecting astronauts with Houston Mission Control Center.

**SPECIAL TOOL:** A broom to clean up dust from the radiators.

### NASA Apollo 17

**Lunar Communications Relay Unit (LCRU)**  
Principal communications link during outside LM activities on the Moon.

**POWER SUPPLY:** Build in battery to make it portable. Temperature controlled with special radiators and wax packs.

**LUNAR MAP:** Shows the 3 trips completed by the LRV-3 on the Apollo 17 mission. Total distance: 35.9 km. Total drive time: 6 hrs and 26 min.

**CAMERAS:** 16 mm data acquisition camera and color TV camera documenting all activities, the experiments and the environment.

**ANTENNA:** High- and low-gain antennas connecting astronauts with Houston Mission Control Center.

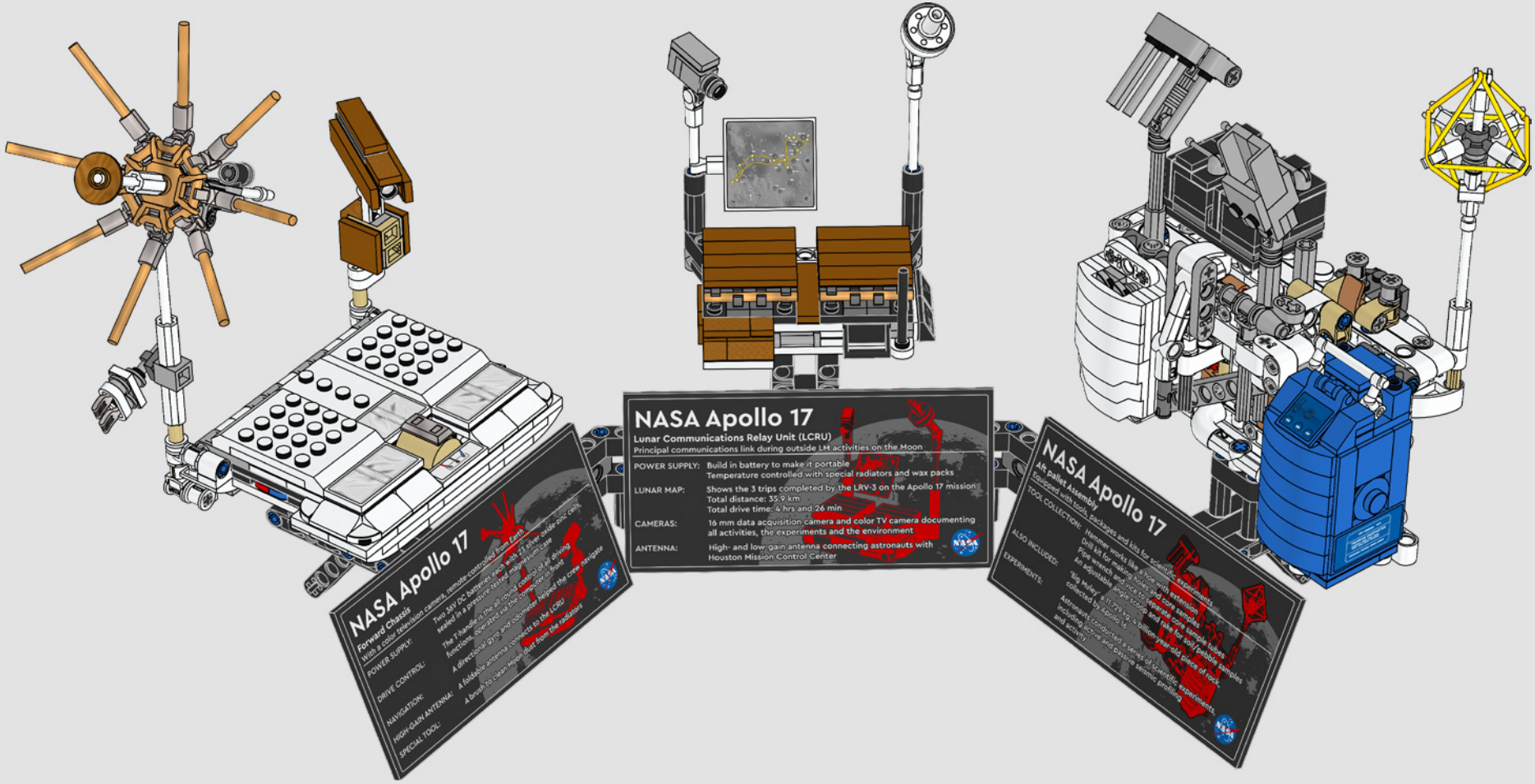
### NASA Apollo 17

**4x pallet Assembly**  
Equip with tool, packages and kits for scientific experiments.

**TOOL COLLECTION:** Hammer, work file, utility knife with extension, drill kit for making holes, and cone sockets. An adjustable wrench, screwdriver, and set of 1/8" sockets. Astronauts conducted a series of scientific experiments including: picture and pressure sensitive printing and activity.

**ALSO INCLUDED:** Big yellow 1000mAh battery pack. Astronauts conducted a series of scientific experiments including: picture and pressure sensitive printing and activity.





**NASA Apollo 17**  
**Forward Chassis**  
 Principal communications link during outside LM activities on the Moon

**POWER SUPPLY:** Build in battery to make it portable. Temperature controlled with special radiators and wax packs

**LUNAR MAP:** Shows the 3 trips completed by the LRV-3 on the Apollo 17 mission. Total distance: 35.9 km. Total drive time: 4 hrs and 26 min

**CAMERAS:** 16 mm data acquisition camera and color TV camera documenting all activities, the experiments and the environment

**ANTENNA:** High- and low-gain antenna connecting astronauts with Houston Mission Control Center

**POWER CONTROL:** The 24V DC batteries each with 12 other usable 200 cells. Held in a weather sealed instrument case

**NAVIGATION:** The handle in the ground controls of all driving functions, operates in the computer of the LCRU

**HIGH-GAIN ANTENNA:** A foldable antenna connects to the LCRU

**SPECIAL TOOL:** A board to clean moisture from the radiators

**NASA Apollo 17**  
**Lunar Communications Relay Unit (LCRU)**  
 Principal communications link during outside LM activities on the Moon

**POWER SUPPLY:** Build in battery to make it portable. Temperature controlled with special radiators and wax packs

**LUNAR MAP:** Shows the 3 trips completed by the LRV-3 on the Apollo 17 mission. Total distance: 35.9 km. Total drive time: 4 hrs and 26 min

**CAMERAS:** 16 mm data acquisition camera and color TV camera documenting all activities, the experiments and the environment

**ANTENNA:** High- and low-gain antenna connecting astronauts with Houston Mission Control Center

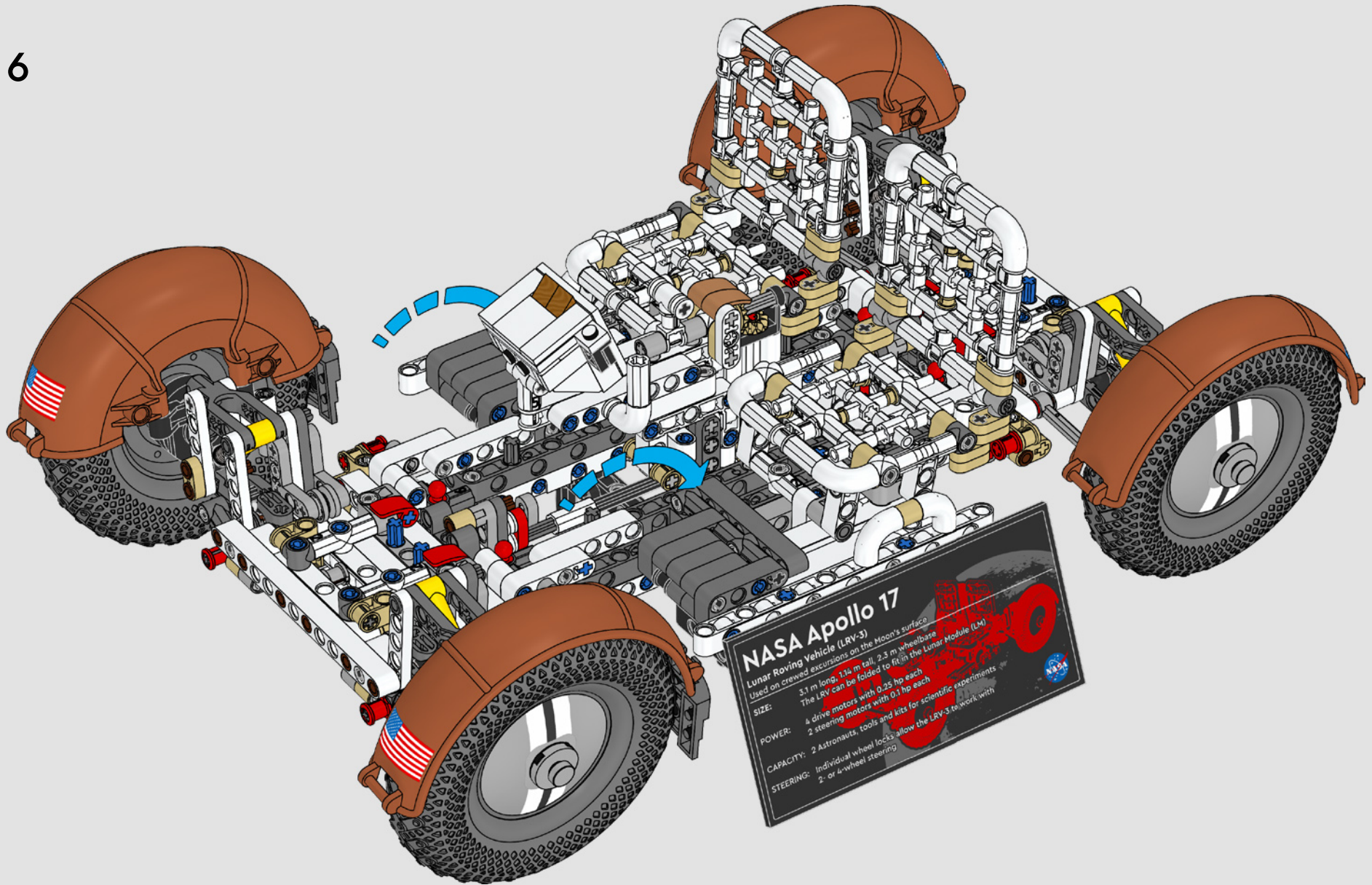
**NASA Apollo 17**  
**4th pallet Assembly**  
 Equipped with tools, packages and kits for scientific experiments

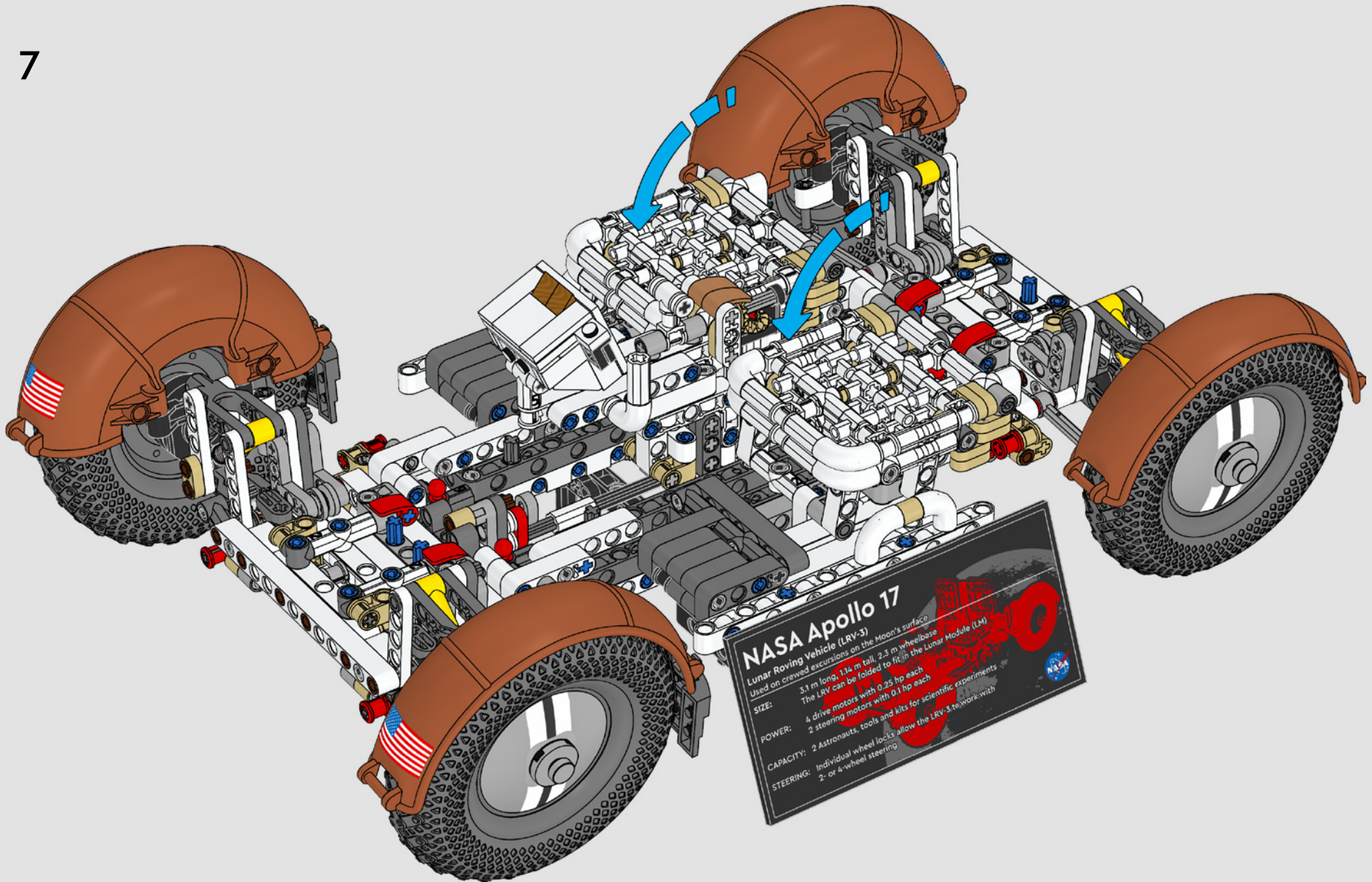
**ALSO INCLUDED:** Hammer work like flow into extension. Drill kit for making holes and core samples. Power source and pneumatic tools. An adjustable angle scope. A set of 1000 pieces of rock. A set of 1000 pieces of rock. A set of 1000 pieces of rock. A set of 1000 pieces of rock.

**EXPERIMENTS:** Big hole 111773 Top. Labeled and piece of rock. A set of 1000 pieces of rock. A set of 1000 pieces of rock. A set of 1000 pieces of rock. A set of 1000 pieces of rock.

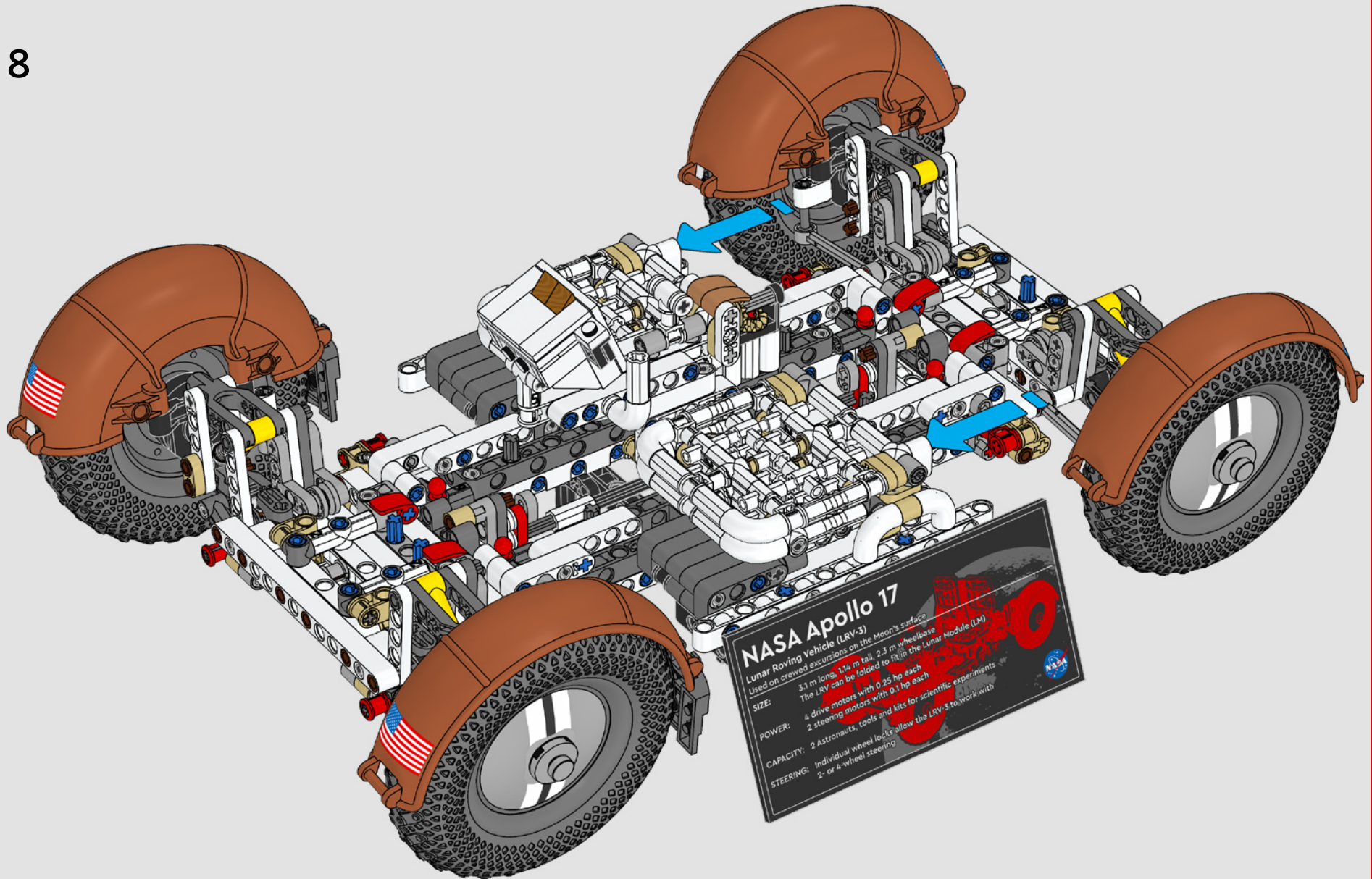


6





8



### NASA Apollo 17

Lunar Roving Vehicle (LRV-3)  
Used on crewed excursions on the Moon's surface

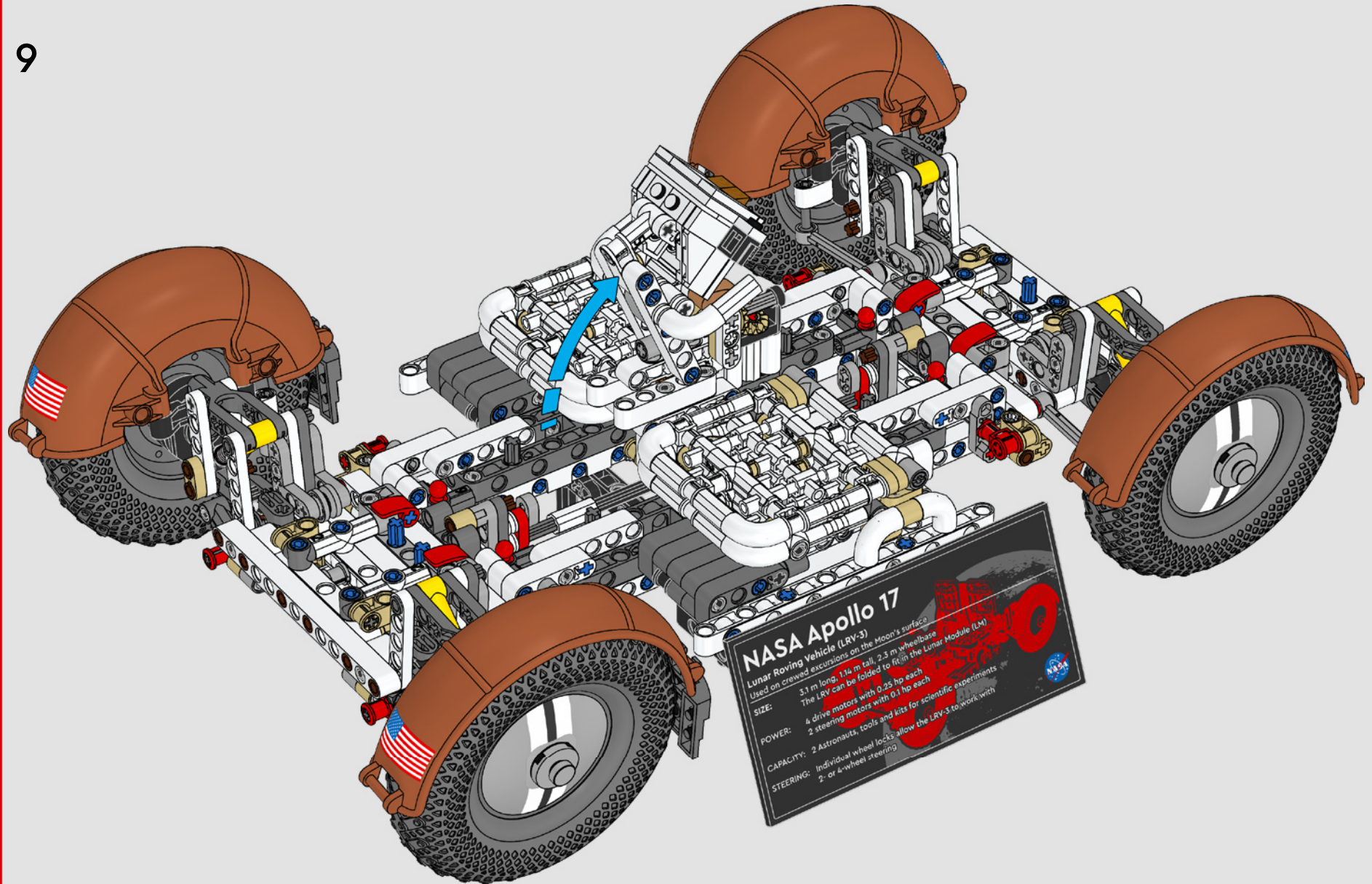
SIZE: 3.1 m long, 1.4 m tall, 2.5 m wheelbase  
The LRV can be folded to fit in the Lunar Module (LM)

POWER: 4 drive motors with 0.25 hp each  
2 steering motors with 0.1 hp each

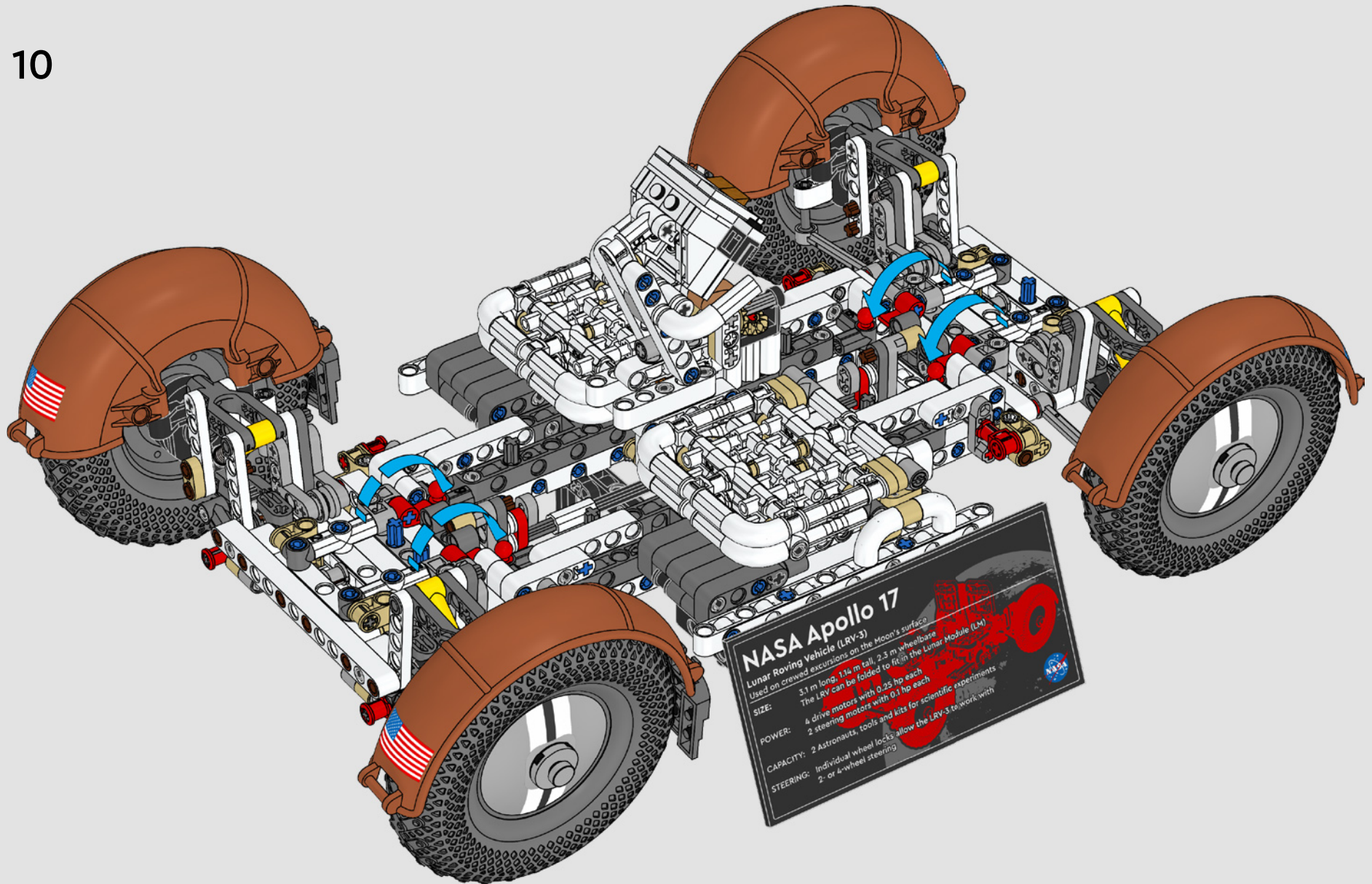
CAPACITY: 2 Astronauts, tools and kits for scientific experiments

STEERING: Individual wheel locks allow the LRV-3 to work with 2- or 4-wheel steering

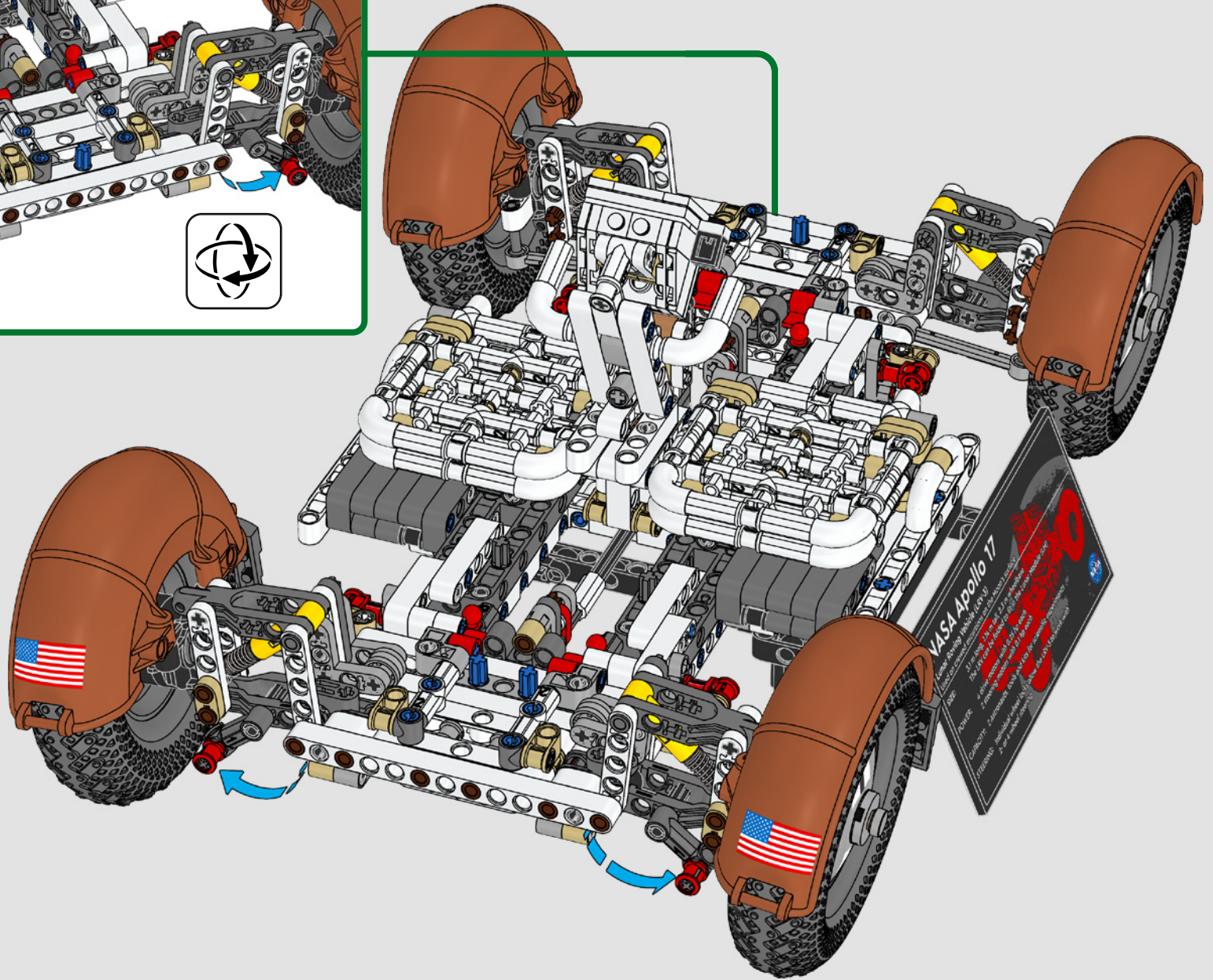
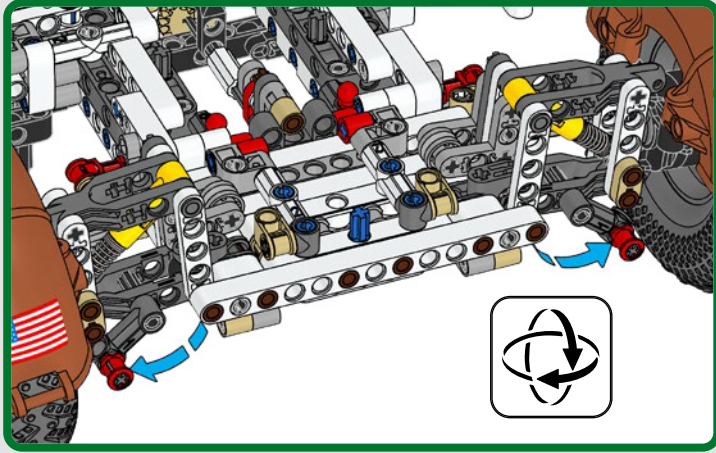




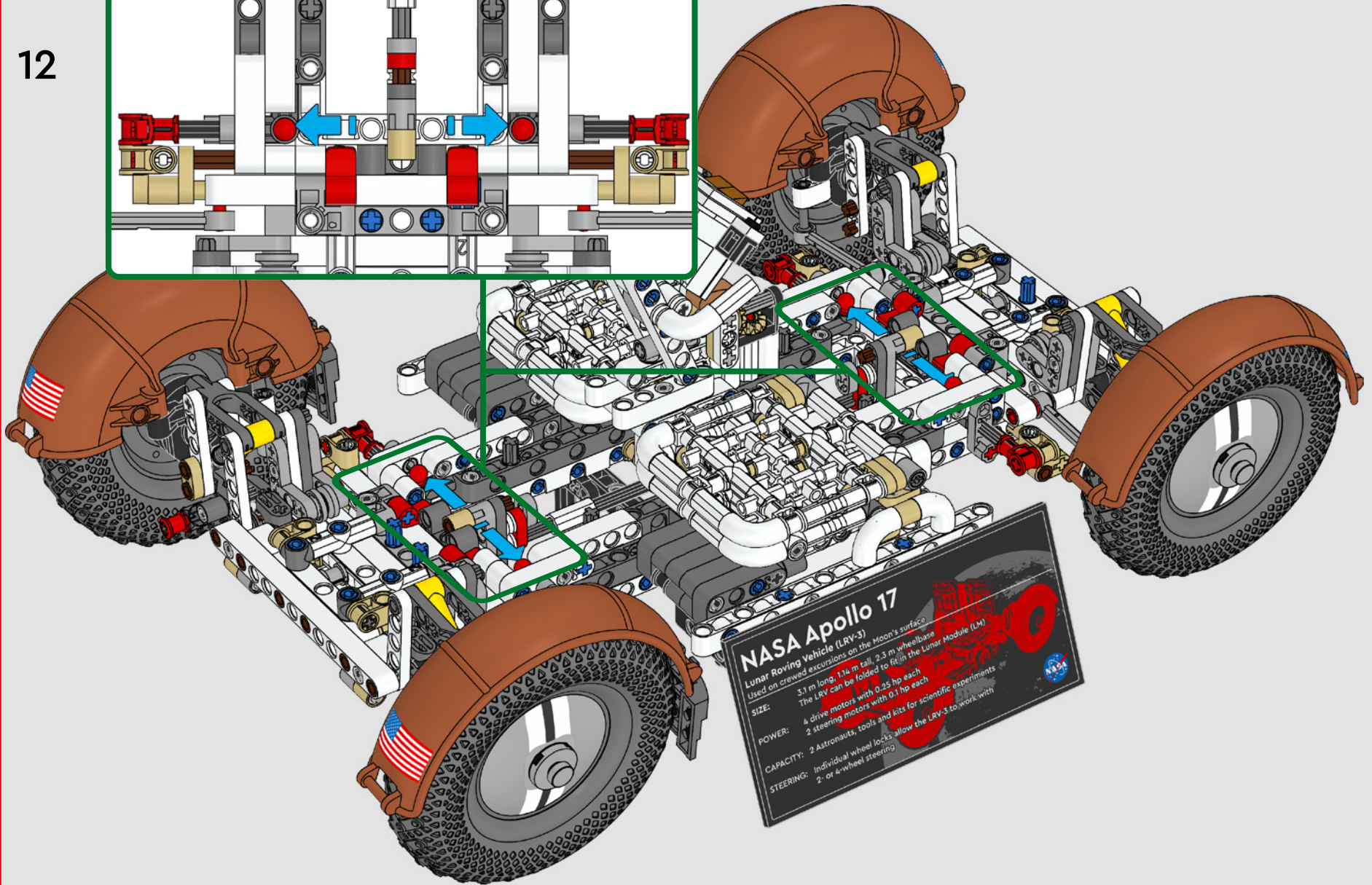
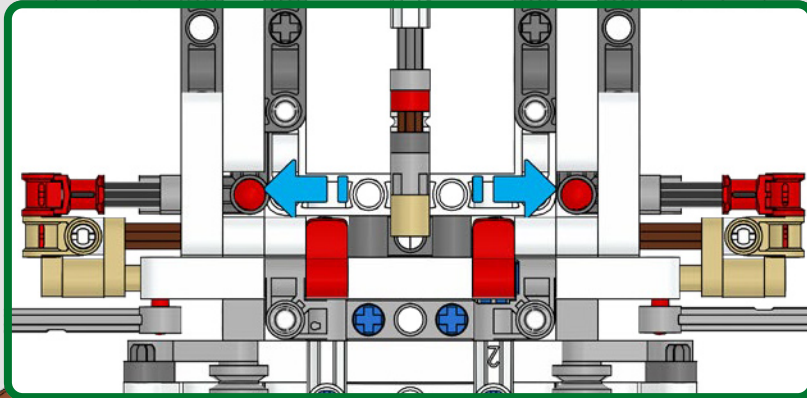
10



11



12



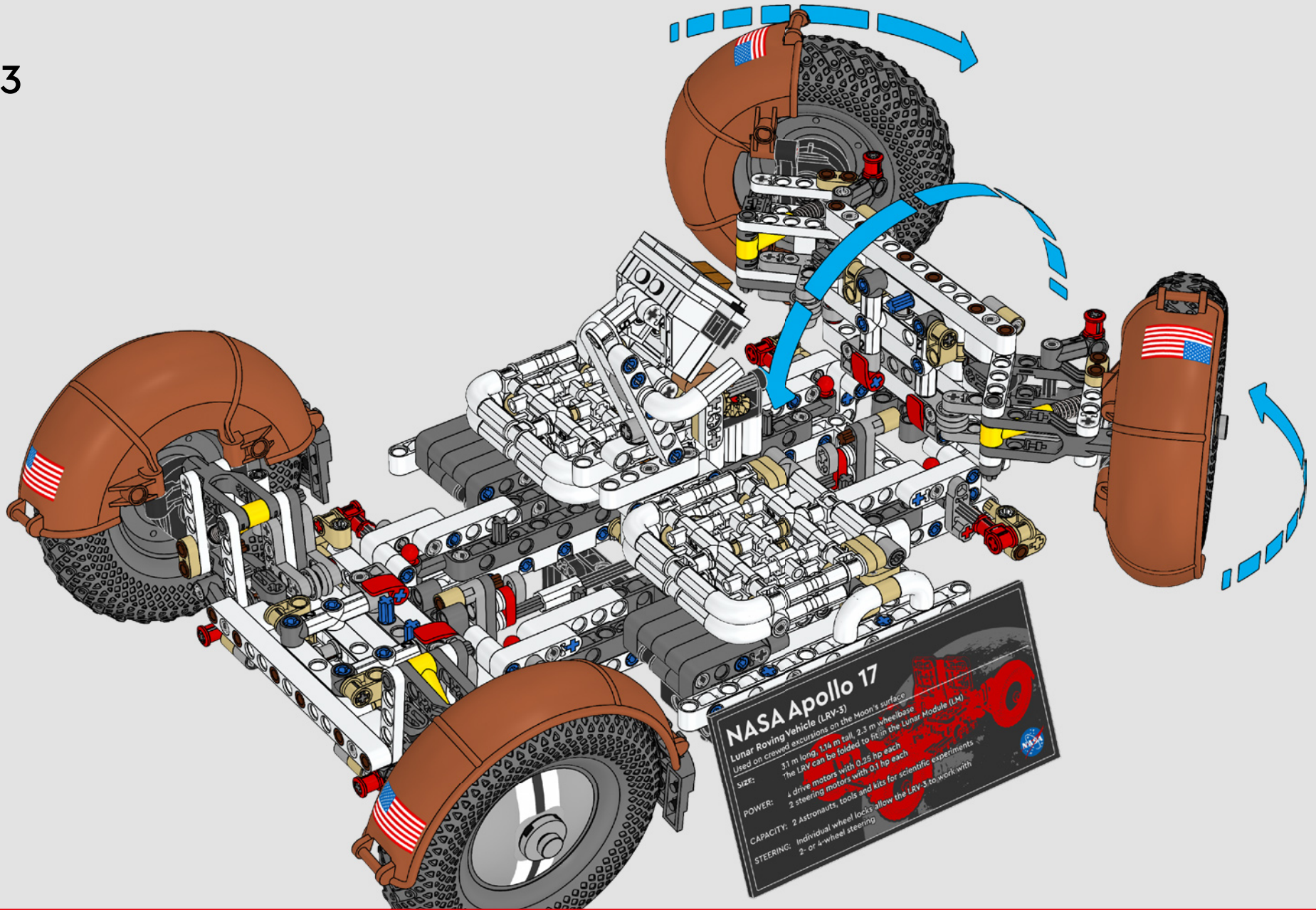
**NASA Apollo 17**  
Lunar Roving Vehicle (LRV-3)  
Used on crewed excursions on the Moon's surface

**SIZE:** 3.1 m long, 1.14 m tall, 2.3 m wheelbase  
The LRV can be folded to fit in the Lunar Module (LM)

**POWER:** 4 drive motors with 0.25 hp each  
2 steering motors with 0.1 hp each

**CAPACITY:** 2 Astronauts, tools and kits for scientific experiments

**STEERING:** Individual wheel locks allow the LRV-3 to work with 2- or 4-wheel steering



**NASA Apollo 17**

Lunar Roving Vehicle (LRV-3)

Used on crewed excursions on the Moon's surface

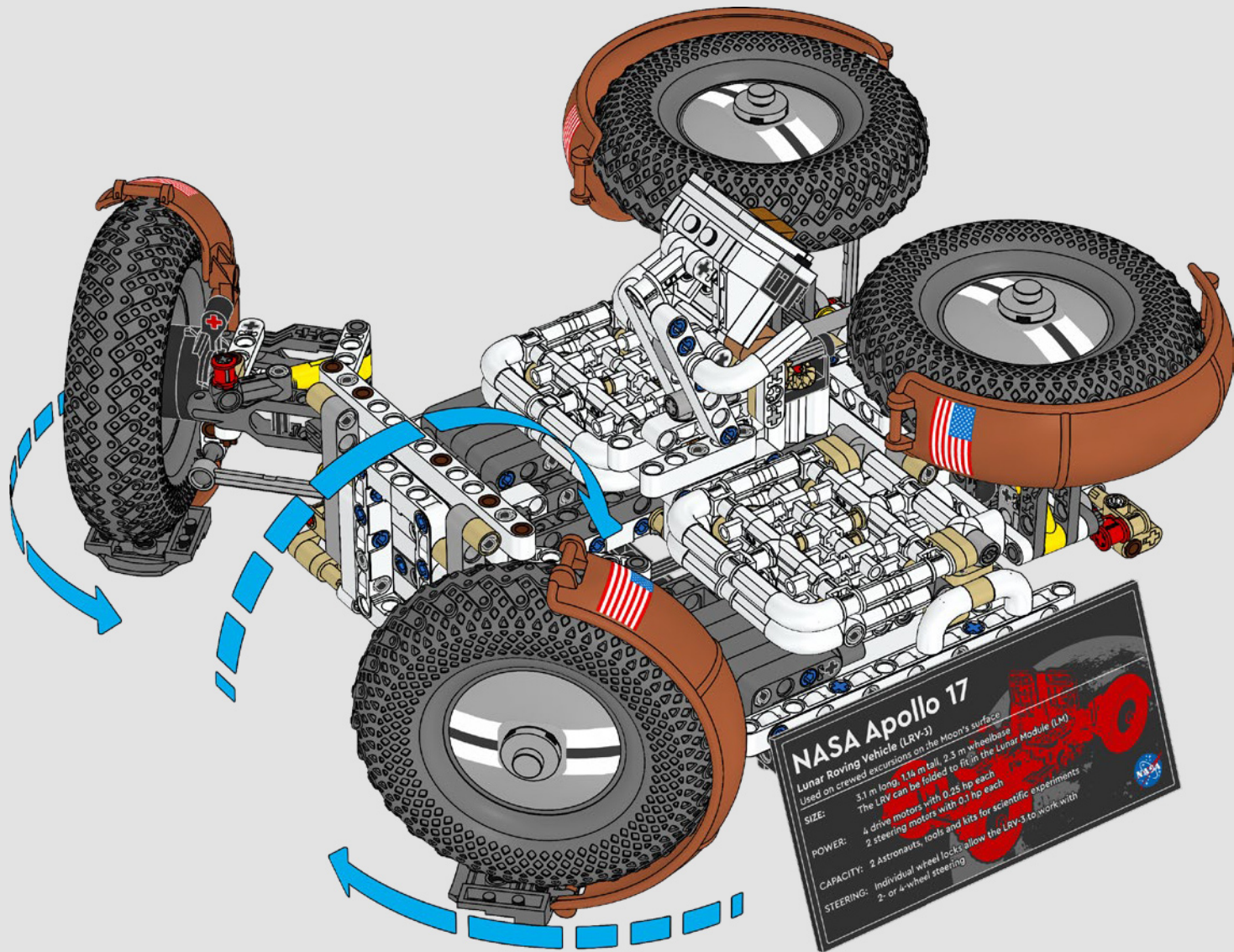
SIZE: 3.1 m long, 1.14 m tall, 2.3 m wheelbase  
The LRV can be folded to fit in the Lunar Module (LM)

POWER: 4 drive motors with 0.25 hp each  
2 steering motors with 0.1 hp each

CAPACITY: 2 Astronauts, tools and kits for scientific experiments

STEERING: Individual wheel locks allow the LRV-3 to work with 2- or 4-wheel steering





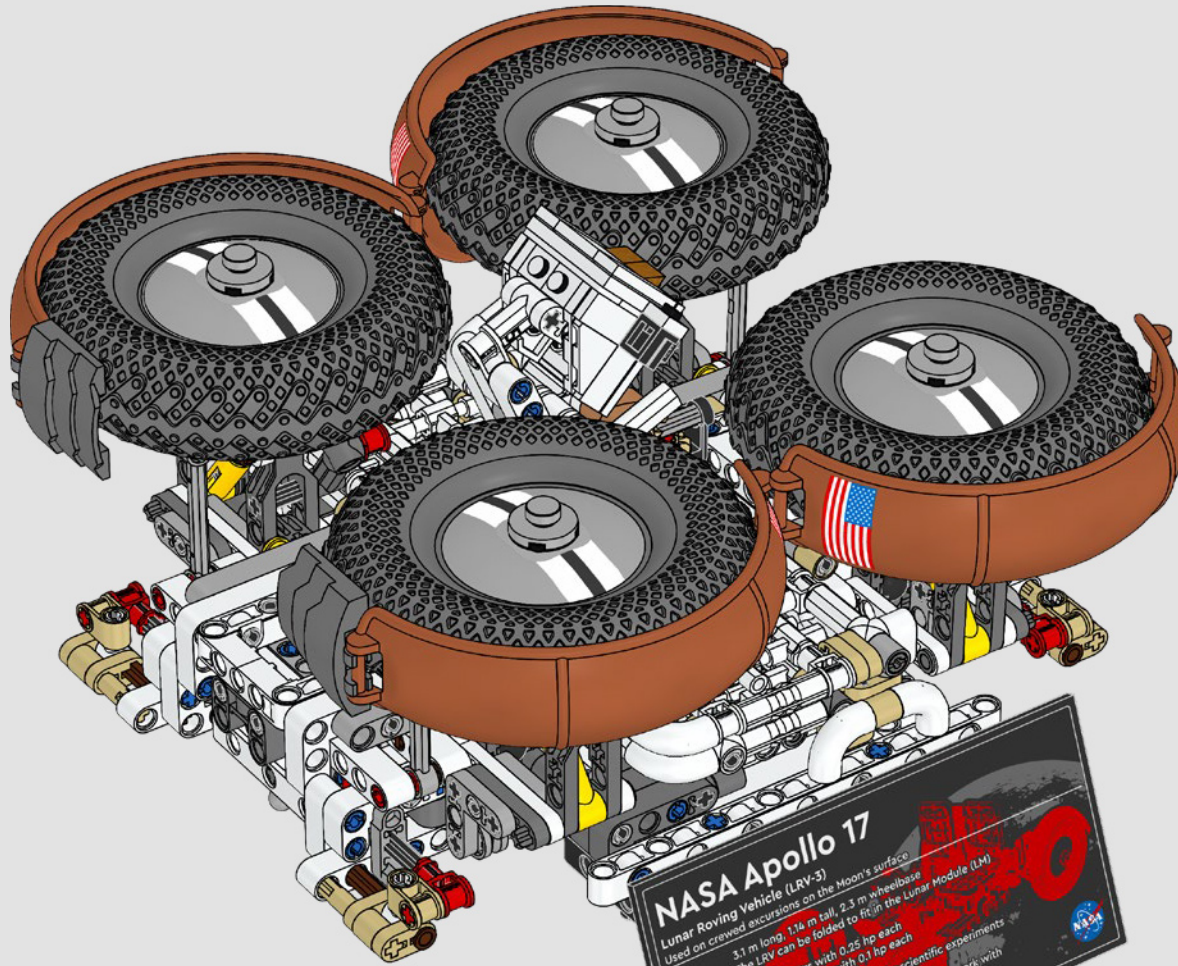
**NASA Apollo 17**  
**Lunar Roving Vehicle (LRV-3)**  
 Used on crewed excursions on the Moon's surface

**SIZE:** 3.1 m long, 1.14 m tall, 2.3 m wheelbase  
 The LRV can be folded to fit in the Lunar Module (LM)

**POWER:** 4 drive motors with 0.25 hp each  
 2 steering motors with 0.1 hp each

**CAPACITY:** 2 Astronauts, tools and kits for scientific experiments

**STEERING:** Individual wheel locks allow the LRV-3 to work with  
 2- or 4-wheel steering



## NASA Apollo 17

Lunar Roving Vehicle (LRV-3)  
Used on crewed excursions on the Moon's surface

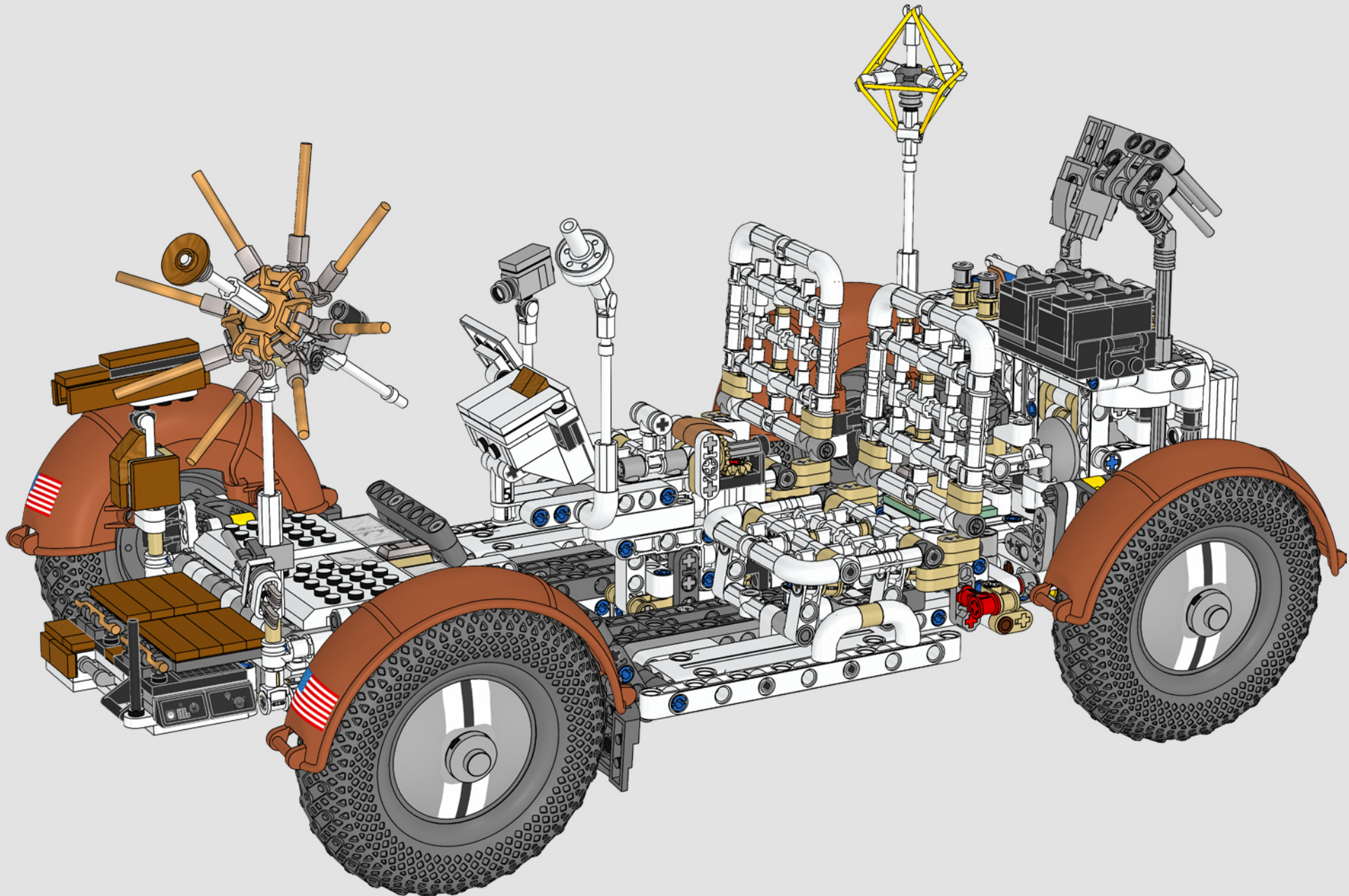
SIZE: 3.1 m long, 1.14 m tall, 2.3 m wheelbase  
The LRV can be folded to fit in the Lunar Module (LM)

POWER: 4 drive motors with 0.25 hp each  
2 steering motors with 0.1 hp each

CAPACITY: 2 Astronauts, tools and kits for scientific experiments

STEERING: Individual wheel locks allow the LRV-3 to work with  
2- or 4-wheel steering





1x 6234807  
7x 6341465  
2x 6322489  
19x 6360263  
7x 6284572  
2x 6186681  
4x 6172366  
2x 6383985  
6x 407001  
2x 6296132  
1x 6508268  
3x 4111971  
2x 6357680  
1x 6434569  
5x 6371416  
1x 6210272  
2x 6457115

6x 4547489  
18x 6194851  
9x 6282148  
29x 6310183  
3x 6179606  
18x 6265135  
2x 6345327  
23x 6375684  
2x 6292916  
24x 6212049  
1x 6346389  
2x 6173116  
2x 306901  
9x 6057414  
6x 302301  
2x 6326680

4x 6172927  
1x 6051511  
1x 300401  
1x 6013484  
2x 6271349  
2x 6217875  
2x 6450820  
9x 6360038  
36x 6428803  
16x 6330960  
7x 6257450  
1x 300301  
1x 306801  
1x 6061024  
8x 242001  
1x 6047220

4x 6210385  
1x 6289797  
1x 4515364  
3x 6261390  
8x 6276052  
5x 6402262  
4x 6402213  
17x 6271870  
3x 4208160  
4x 362301  
7x 4558168  
2x 245001  
5x 6223491  
2x 6089696  
1x 6158058

2x 6168618  
4x 6116602  
3x 302101  
1x 6156667  
8x 6271824  
3x 6023806  
1x 6249091  
5x 6104805  
16x 6360069  
2x 302001  
5x 4560178  
6x 6440438  
14x 4585040  
2x 4249021

7x 6439225  
7x 6350399  
1x 6421592  
2x 6132741  
4x 6170419  
4x 366601  
3x 4243812  
2x 6400128  
7x 6471586  
2x 4495927  
2x 6184866  
1x 4163986

4x 6001831  
4x 6016156  
2x 4503008  
2x 6055627  
10x 4620671  
2x 6247435  
5x 6432401  
1x 379523  
2x 303223

2x 6284575  
9x 6268862  
1x 4651236  
4x 4206482  
75x 4206482  
2x 6194417  
1x 6282145  
8x 6390153  
1x 6092582  
2x 6228601  
4x 6378789  
1x 6365486  
2x 4140586  
1x 6336378  
97x 6299413  
3x 306823  
2x 6252060  
2x 4587840

- |                |                 |               |                |               |                |                |                |
|----------------|-----------------|---------------|----------------|---------------|----------------|----------------|----------------|
| 2x<br>6292291  | 2x<br>4548180   | 1x<br>6116604 | 4x<br>6313520  | 1x<br>6020193 | 10x<br>6147169 | 5x<br>6264167  | 36x<br>6261379 |
| 6x<br>4649773  | 148x<br>6279875 | 8x<br>370526  | 1x<br>4225201  | 2x<br>243126  | 1x<br>6388645  | 3x<br>6078236  | 1x<br>6031962  |
| 4x<br>243123   | 46x<br>4109810  | 2x<br>6271825 | 2x<br>6273708  | 2x<br>617926  | 4x<br>6031821  | 1x<br>6404402  | 2x<br>6174929  |
| 1x<br>371023   | 1x<br>6282140   | 2x<br>6092570 | 2x<br>300326   | 4x<br>6378480 | 9x<br>6450558  | 4x<br>6265247  | 8x<br>4666999  |
| 1x<br>370123   | 2x<br>6265091   | 2x<br>6254045 | 4x<br>302226   | 3x<br>6435016 | 1x<br>4616578  | 2x<br>6347439  | 2x<br>6274738  |
| 2x<br>4560180  | 14x<br>4512363  | 1x<br>302326  | 4x<br>302226   | 7x<br>6279881 | 8x<br>6335230  | 2x<br>6189071  | 2x<br>6240030  |
| 1x<br>4243815  | 1x<br>302326    | 4x<br>6092585 | 4x<br>306826   | 1x<br>6029578 | 4x<br>6168644  | 10x<br>6332155 | 9x<br>4211399  |
| 4x<br>4286267  | 4x<br>306926    | 1x<br>6278412 | 4x<br>306826   | 1x<br>370826  | 8x<br>6439051  | 2x<br>6332144  | 7x<br>6336539  |
| 1x<br>6088550  | 4x<br>6092585   | 1x<br>6328175 | 18x<br>6089119 | 1x<br>370826  | 2x<br>4544151  | 2x<br>6051507  | 1x<br>4558953  |
| 2x<br>6168646  | 1x<br>243226    | 4x<br>6439175 | 16x<br>6321745 | 2x<br>6265643 | 1x<br>6130012  | 2x<br>6082975  | 3x<br>6362975  |
| 2x<br>6439039  | 1x<br>4618852   | 2x<br>366626  | 1x<br>6321745  | 2x<br>6265643 | 1x<br>6206248  | 15x<br>6167923 | 1x<br>6070564  |
| 10x<br>6121485 | 4x<br>6117973   | 1x<br>6390379 | 1x<br>4552347  | 2x<br>6265643 | 2x<br>6361354  | 3x<br>4565452  | 2x<br>6347715  |
| 1x<br>307026   | 2x<br>6271346   | 4x<br>6459445 | 1x<br>4552347  | 4x<br>6484420 | 8x<br>6338570  | 2x<br>6374151  | 2x<br>6347715  |
| 1x<br>6234695  | 1x<br>4560182   | 4x<br>6459445 | 3x<br>4142822  | 4x<br>6484420 | 2x<br>6208446  | 2x<br>6357613  | 4x<br>6267587  |
| 13x<br>6261371 | 4x<br>6408182   | 2x<br>6469830 | 1x<br>6362991  | 4x<br>6484420 | 2x<br>6191668  | 9x<br>6013938  | 13x<br>6168647 |

- 2x 4529241
- 2x 6250597
- 3x 6448793
- 3x 6275844
- 2x 4211415
- 2x 6176433
- 4x 4211758
- 2x 6443149
- 1x 6265704
- 2x 6348143
- 2x 6261375
- 9x 4211880
- 2x 6271539
- 5x 6179186
- 2x 6282142
- 9x 6123815
- 1x 6265089
- 5x 4512360
- 1x 6380605
- 3x 6173127
- 1x 6266251
- 4x 4211398
- 1x 6144138

- 1x 4211414
- 3x 4211609
- 1x 4667578
- 4x 6331859
- 1x 4244627
- 8x 6271815
- 1x 6093527
- 1x 6212077
- 2x 6132886
- 37x 4211815
- 4x 6321747
- 2x 4211536
- 4x 6276969
- 1x 6331441
- 6x 6438836
- 2x 6210581
- 2x 6370947
- 5x 6116608
- 1x 6347992
- 2x 6331574
- 1x 4211445
- 6x 4211639
- 4x 6452875
- 4x 6463327
- 3x 4211805
- 6x 4495930
- 5x 4611705

- 9x 6258973
- 4x 6271820
- 27x 6378120
- 2x 6345637
- 8x 6360104
- 4x 6378122
- 2x 6371442
- 26x 4142865
- 4x 403221
- 4x 6344178
- 20x 6209519
- 1x 6130002
- 18x 6135494
- 12x 6159763
- 1x 6347790
- 1x 6240515

- 4x 6360824
- 12x 6327561
- 11x 6083620
- 2x 6350292
- 6x 6168609
- 6x 6296856
- 1x 6012451
- 8x 6395635
- 5x 6344022
- 4x 6365695
- 19x 6005331
- 4x 6282144
- 4x 6268923
- 6x 4211063
- 2x 6314192
- 2x 6301368
- 4x 4508553
- 8x 6278260
- 2x 6310189
- 4x 6271830
- 3x 4495931
- 8x 6395635
- 5x 6344022
- 4x 6365695
- 19x 6005331
- 4x 6282144
- 4x 6268923
- 6x 4211063
- 2x 6314192

- 2x 6307616
- 4x 6483729
- 4x 6452865
- 3x 6396963
- 2x 6396964
- 2x 6396922
- 2x 6463326
- 2x 6504968





# YOU COULD WIN



## YOU COULD WIN

Your feedback will help shape the future development of this product series.

Visit:

## DU KÖNNTEST GEWINNEN

Dein Feedback trägt zur Weiterentwicklung dieser Produktreihe bei.

Geh auf:

## VOUS POURRIEZ GAGNER

Vos commentaires nous aideront à concevoir les futurs produits de cette gamme.

Visitez :

## POTRESTI VINCERE TU

La tua opinione ci aiuterà a migliorare la creazione futura di questa linea di prodotti.

Visita:

## PUEDES GANAR

Tu opinión contribuirá al futuro de esta serie de productos.

Visita:

## 轻松获奖

您的反馈将有助于我们在今后改进本产品系列。

请访问:

---

**[LEGO.com/productfeedback](https://LEGO.com/productfeedback)**

---

You also have the chance to win a LEGO® set.

Terms and conditions apply.\*

Außerdem hast du die Chance, ein LEGO® Set zu gewinnen.

Es gelten die Teilnahmebedingungen.\*

Vous pourriez également gagner un ensemble LEGO®.

Des conditions s'appliquent.\*

Hai anche la possibilità di vincere un set LEGO®.

Termini e condizioni sono applicabili.\*

También tienes la oportunidad de ganar un set LEGO®.

Aplican términos y condiciones.\*

您还有机会赢取乐高®套装。

条款和条件适用。\*

\*[LEGO.com/productfeedback-terms](https://LEGO.com/productfeedback-terms)



LEGO and the LEGO logo are trademarks of the LEGO Group. ©2024 The LEGO Group.

NASA Insignia and identifiers provided and used with permission of NASA.