



42182





LEGO.com/sustainable-packaging



FR
DONNEZ
OU
RECYCLEZ



ASSOCIATION

OU



MAGASIN

OU



DÉCHÈTERIE

Adresses sur quefairedemesdechets.fr



BUILDER



Apple and the Apple logo are trademarks of Apple Inc., registered in the U.S. and other countries and regions. App Store is a service mark of Apple Inc. Google Play and the Google Play logo are trademarks of Google LLC. Tencent and the Tencent logo are trademarks of Tencent Inc.

LEGO.com/devicecheck

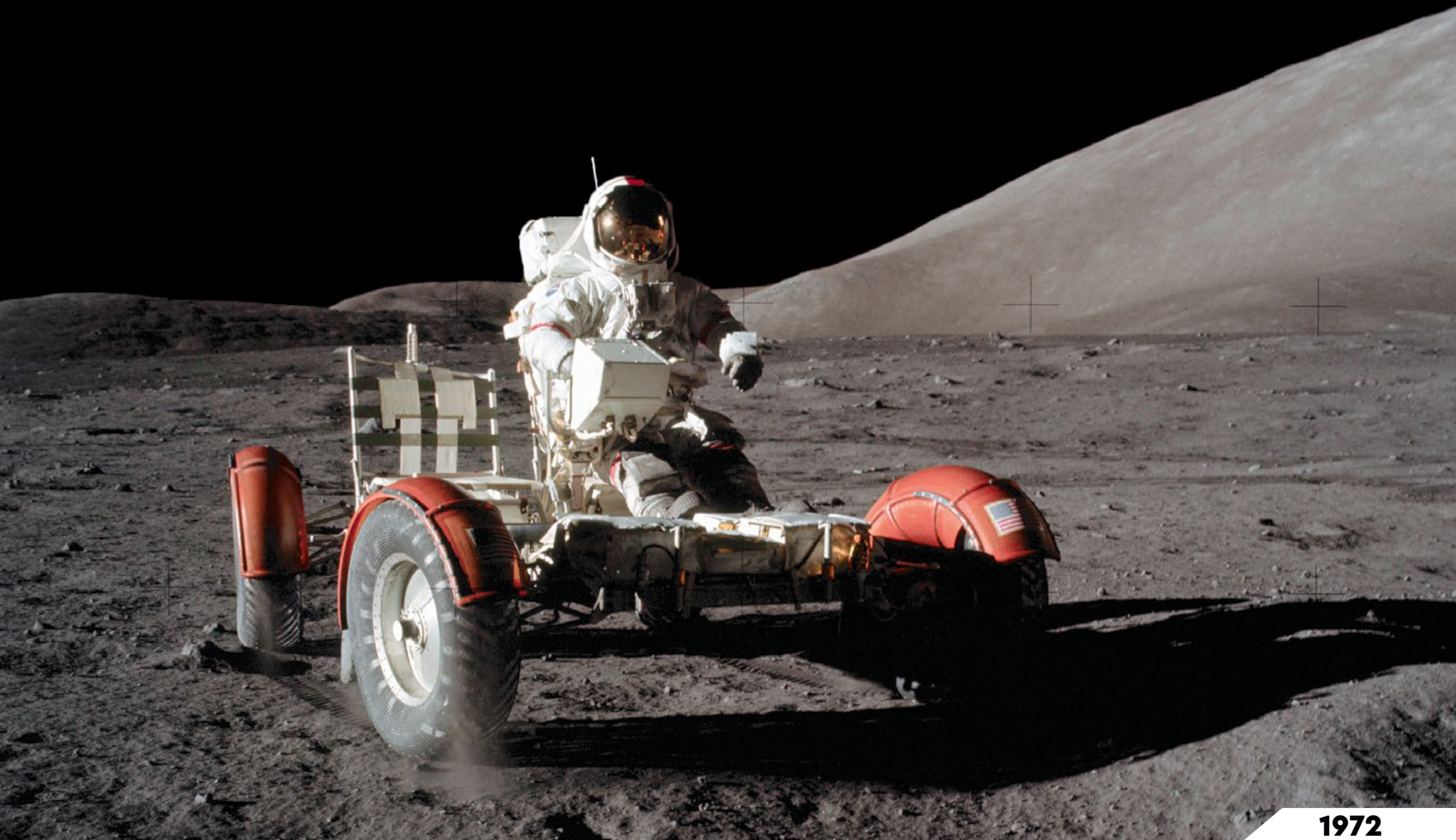


LEGO® Builder

EINMAL ZUM MOND UND WIEDER ZURÜCK

Seit die Menschen im Jahr 1969 zum ersten Mal den Mond betraten, hat die Erforschung des Weltraums viele neue Erkenntnisse über das Universum geliefert, die nur wenige für möglich gehalten hätten. Die ersten bahnbrechenden Monderkundungen im Rahmen der Apollo-Missionen der NASA (1961-1972) haben technologischen Innovationen und außergewöhnlichen Missionen in immer größere Tiefen unseren Sonnensystems den Weg geebnet. Dieses LEGO® Technic Modell ist dem Lunar Rover Vehicle (LRV-3) der NASA nachempfunden, das mit Apollo 17 zum Einsatz kam. Der Rover war eine beachtliche technische Meisterleistung, die die Grenzen des Machbaren bei der Erkundung des Mondes verschob. Bei der letzten Apollo-Mission der NASA spielte das Fahrzeug eine ganz entscheidende Rolle.

NASA APOLLO LUNAR ROVING VEHICLE - LRV



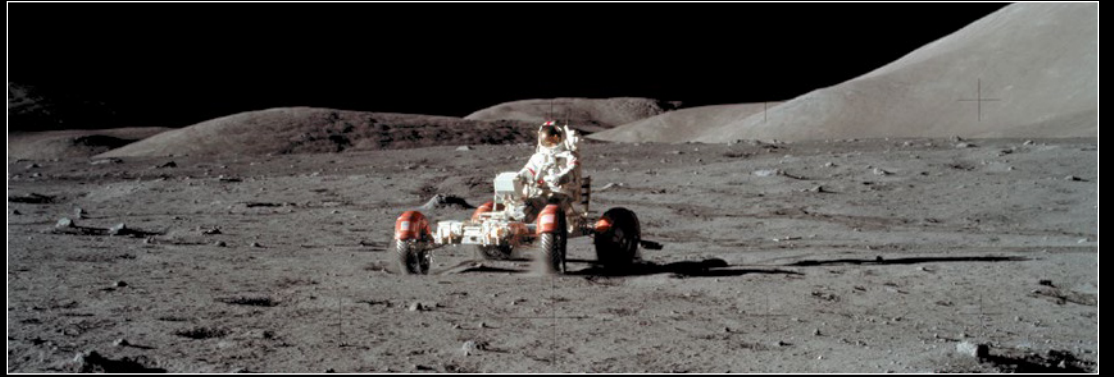
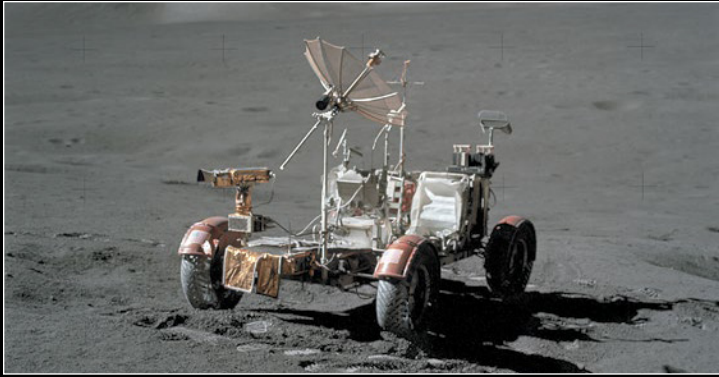
1972

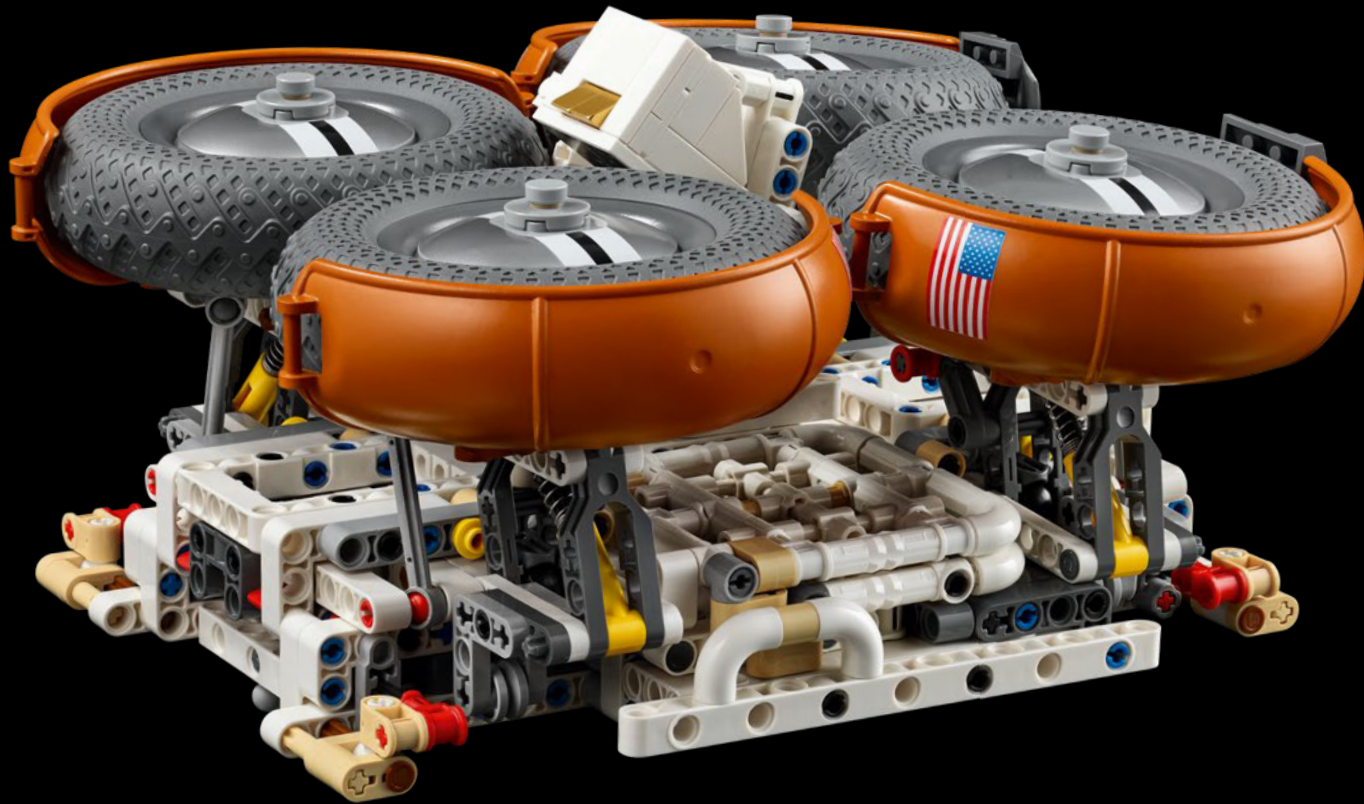
ERKUNDE DEIN LRV-3

Astronauten haben mehrere Expeditionen im LRV-3 unternommen, um Gesteins- und Bodenproben zu sammeln und atemberaubende Aufnahmen von unserem Erdtrabanten zu machen. Entdecke beim Bauen Ausrüstung, Werkzeug und feine Details in Hülle und Fülle.

*Olav Krøigaard,
Designer, LEGO® Technic*







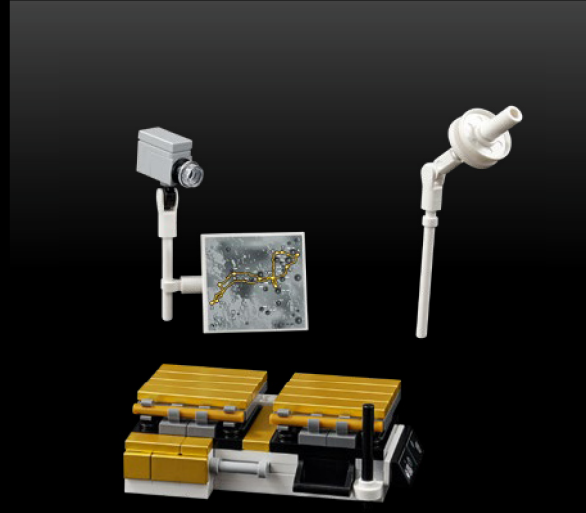
DARGESTELLTE DETAILS

Genau wie das Original lässt sich auch dein LEGO® LRV-3 platzsparend zusammenfallen, um perfekt in die Mondlandefähre zu passen und auf den Mond befördert zu werden. Das fertige Modell kann man komplett oder in separaten Segmenten ausstellen.



VORDERES CHASSIS

Ein Kompass funktioniert nur mithilfe des Erdmagnetfelds, deshalb haben die Astronauten zum Navigieren auf dem Mond ein Gyroskop und einen Kilometerzähler benutzt. Mondstaub dringt in jede Ritze ein und setzt sich überall ab. Deshalb war eine Reinigungsbürste (die nicht wirklich als wissenschaftliches Instrument gilt) unverzichtbar, um Kühler, TV-Kameras und die Oberfläche des Rovers zu säubern.



LUNAR COMMUNICATIONS RELAY UNIT (LCRU)

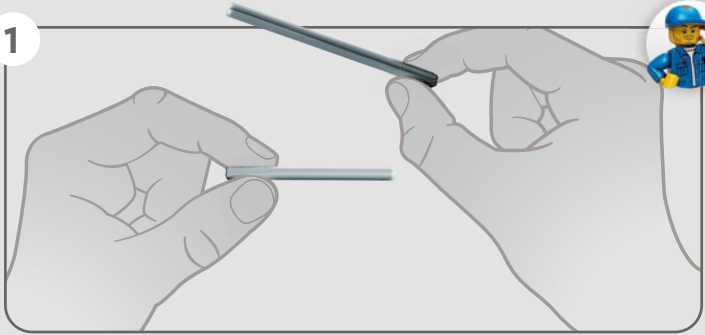
Die Lunar Communications Relay Unit war die wichtigste Kommunikationsverbindung der Astronauten, wenn sie vom Fahrzeug abgesetzt auf dem Mond agierten. Hoch- und Niedriggewinnantennen verbanden die Astronauten mit dem Mission Control Center in Houston.



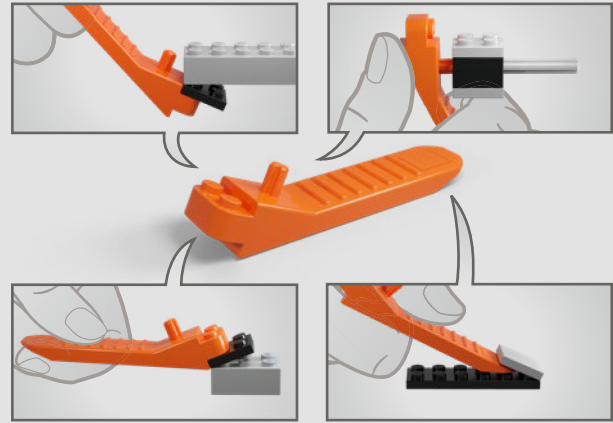
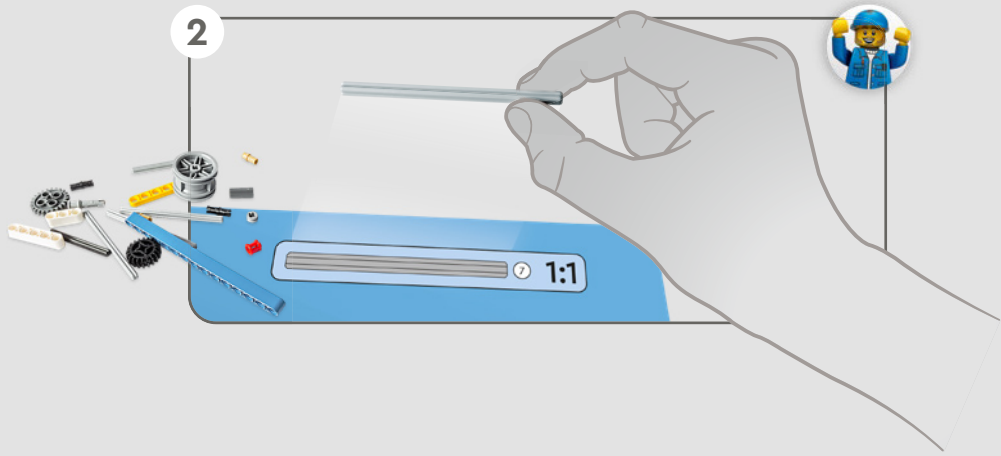
HECKLADEGESTELL

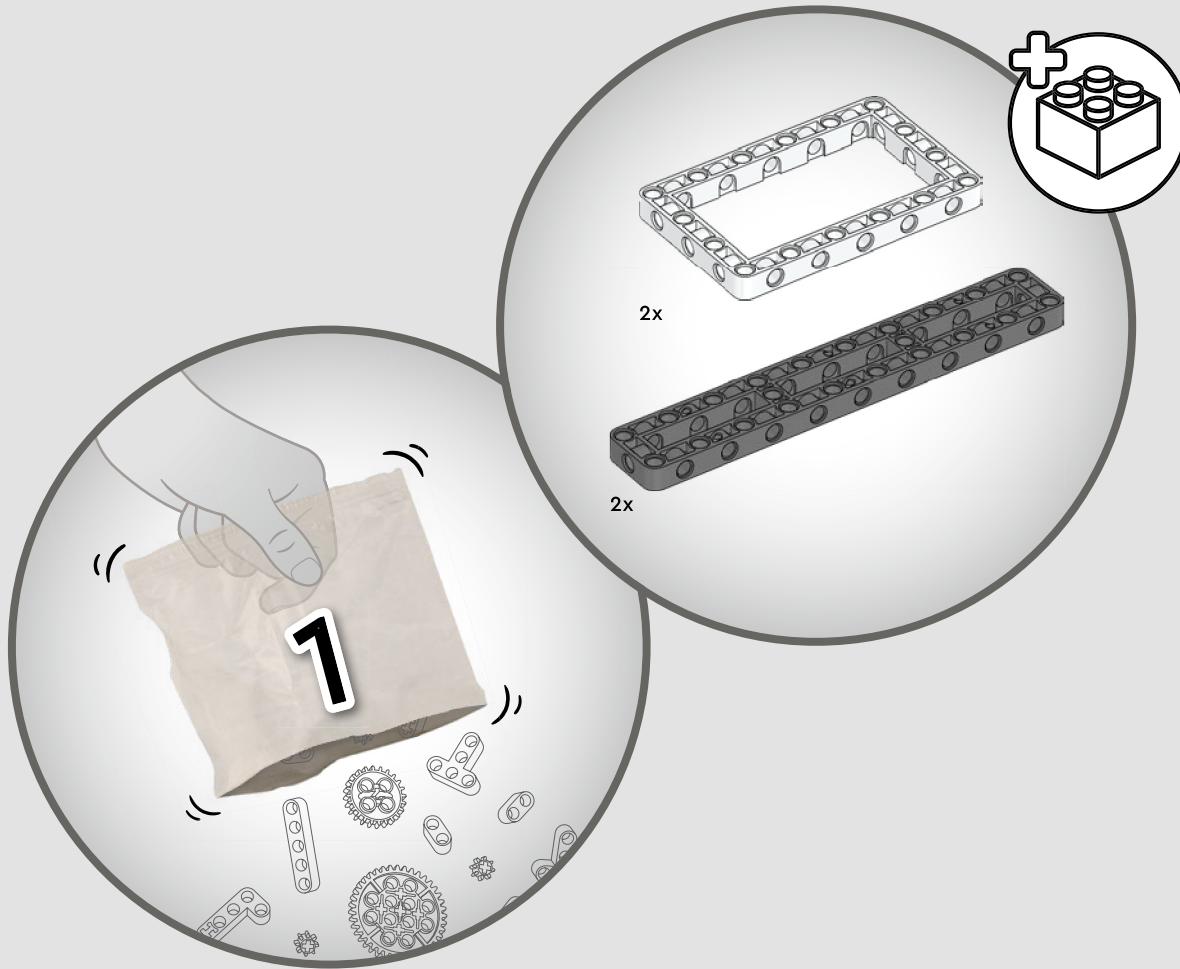
Astronauten haben eine Reihe von wissenschaftlichen Experimenten durchgeführt und unter anderem aktive und passive seismische Aktivitäten und Profile untersucht. Hierfür benutzten sie das Heckladegestell, auf dem Werkzeug und Proben verstaut werden konnten. Der LEGO® „Fels“ auf dem Heckladegestell stellt „Big Muley“ dar. Dieser vier Milliarden alte Gesteinsbrocken wurde von Apollo 16 eingesammelt.

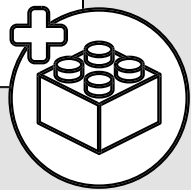
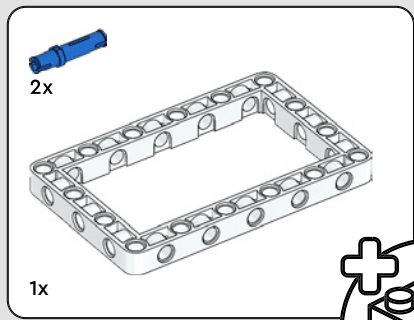
1



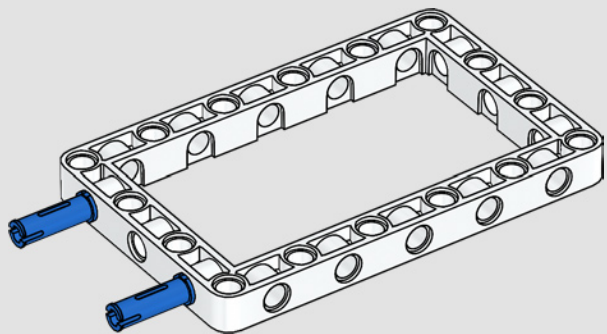
2



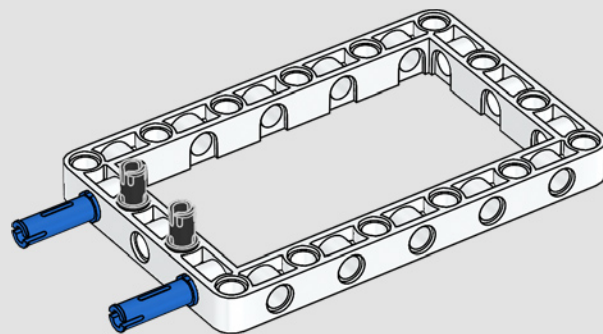


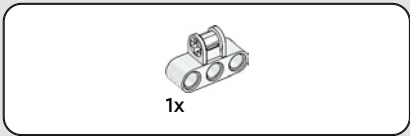


1

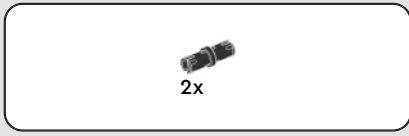
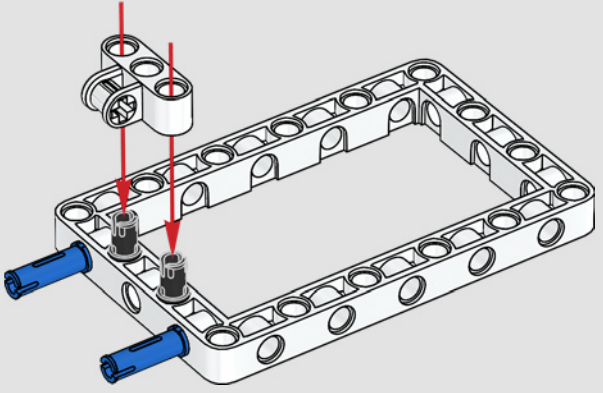


2

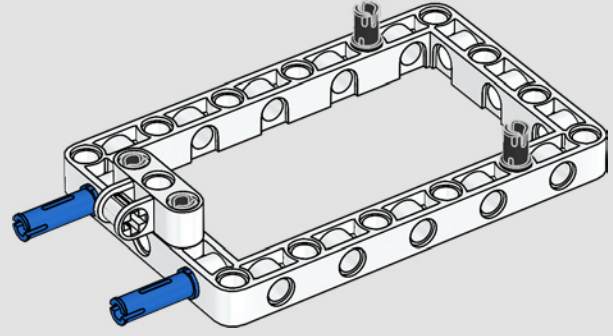


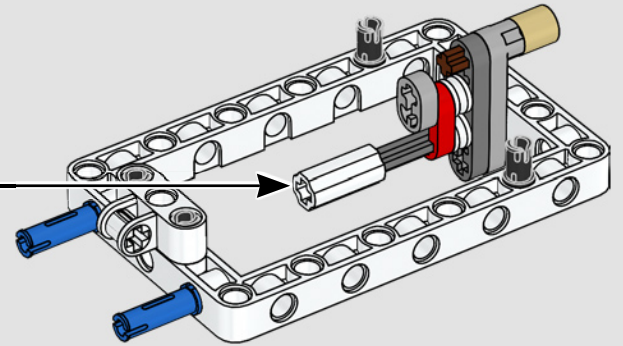
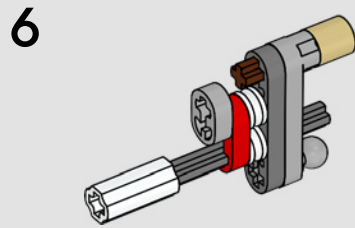
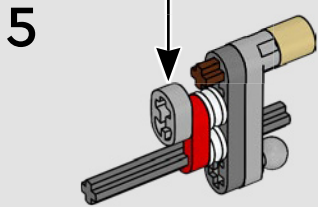
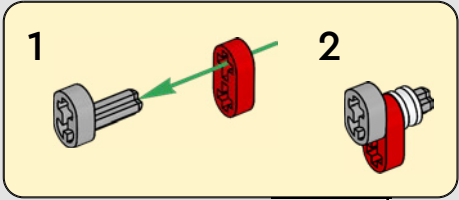


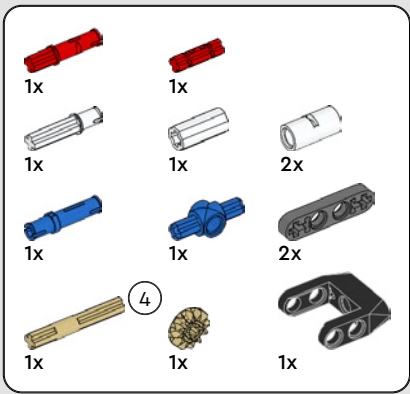
3



4

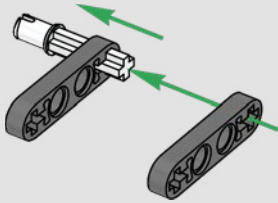




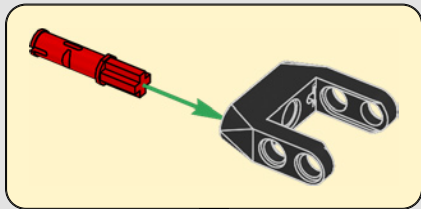


6

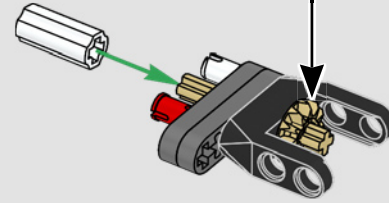
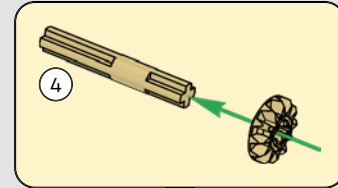
1



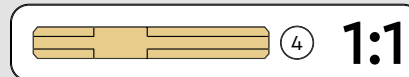
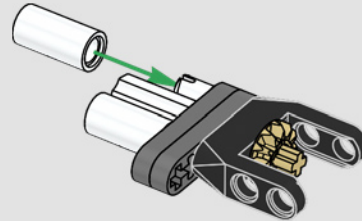
2



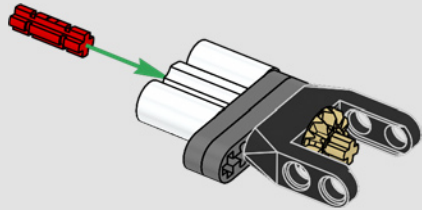
3



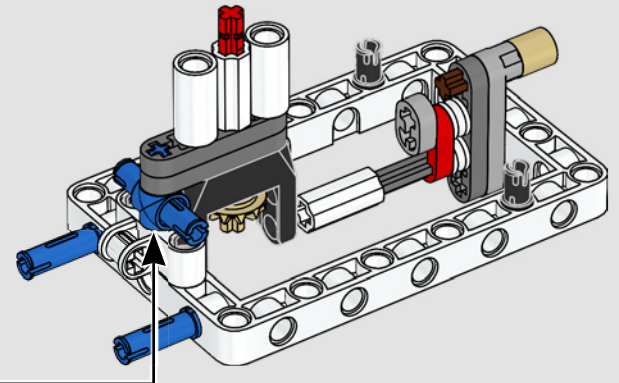
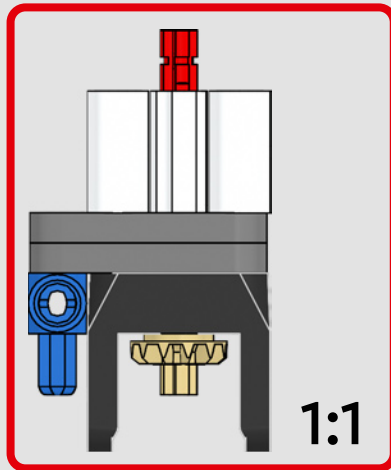
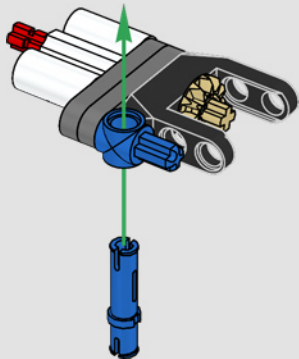
4

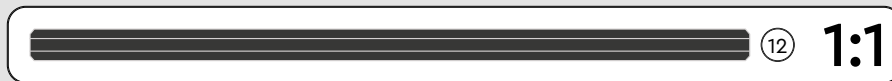
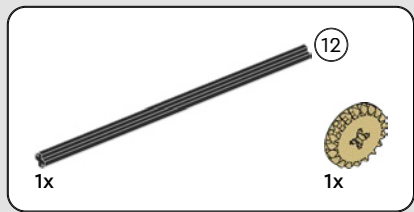


5

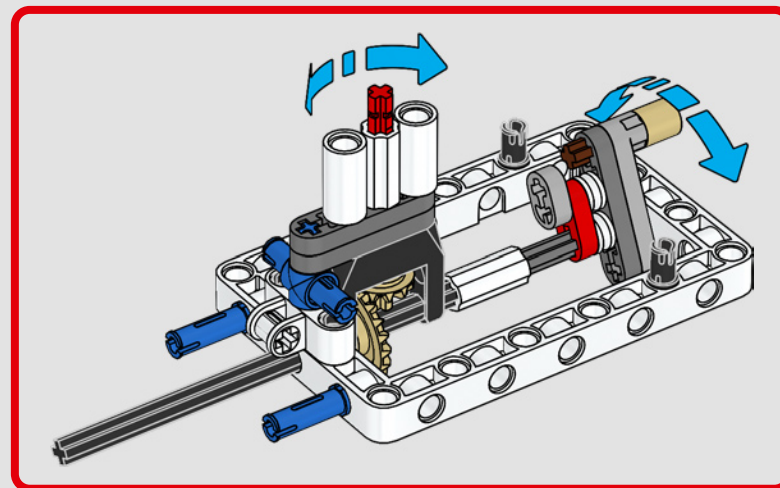
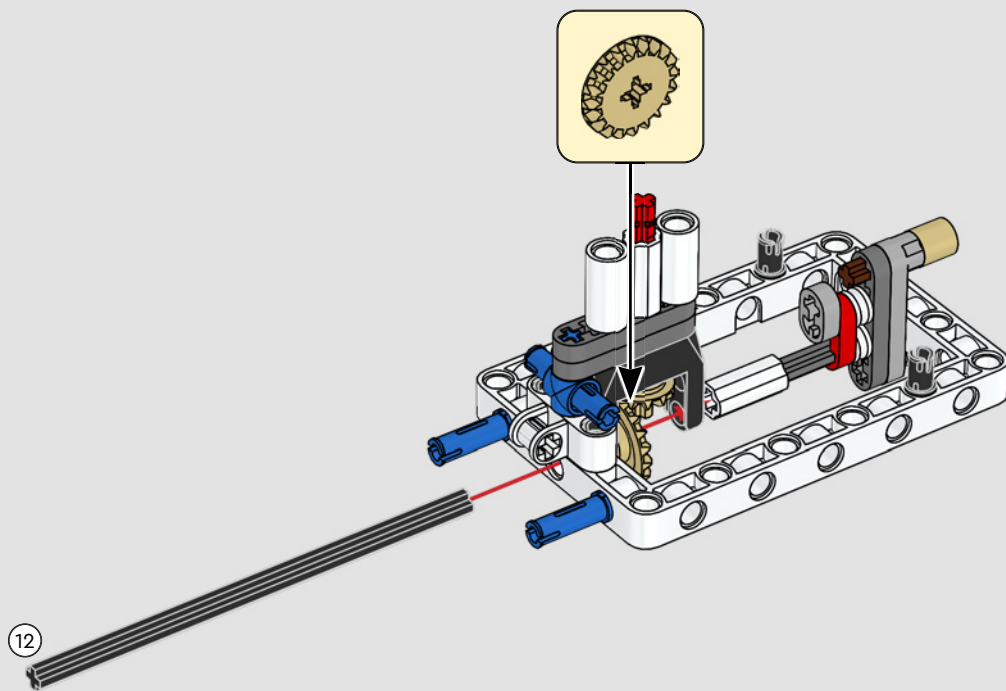


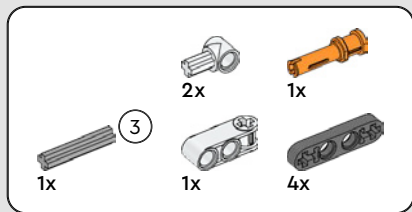
6



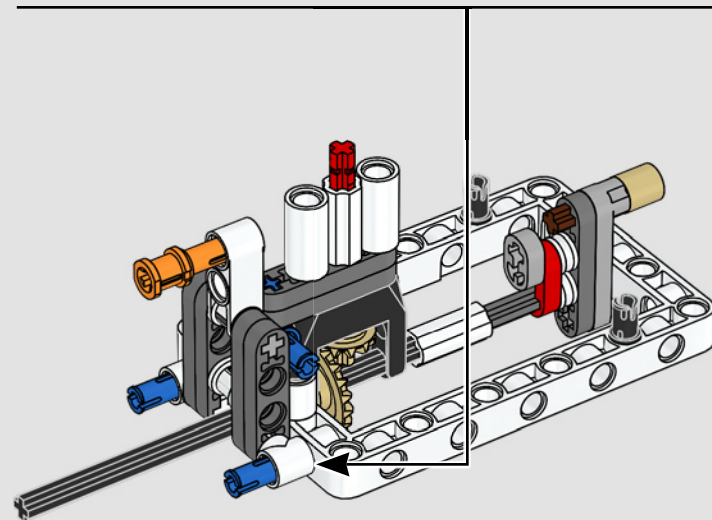
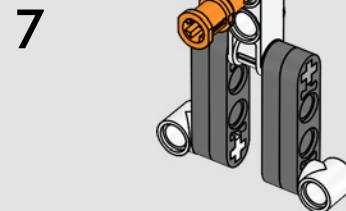
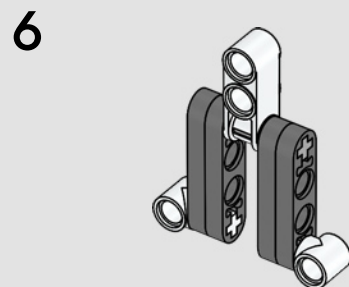
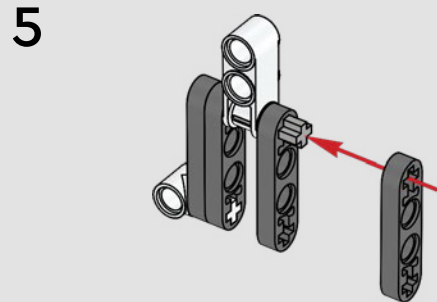
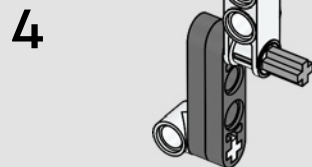
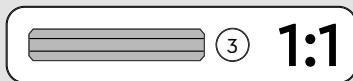
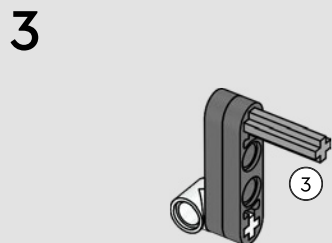
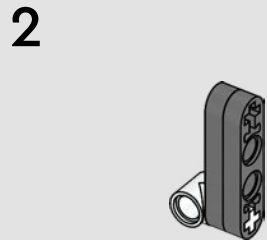
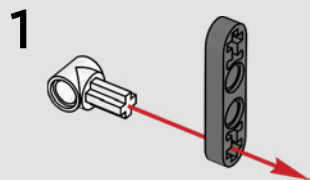


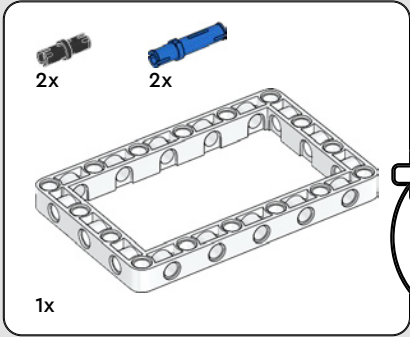
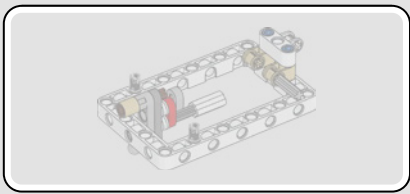
7



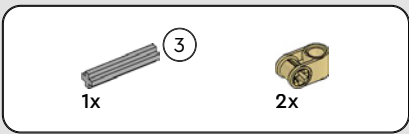
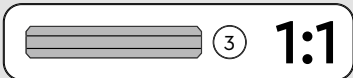
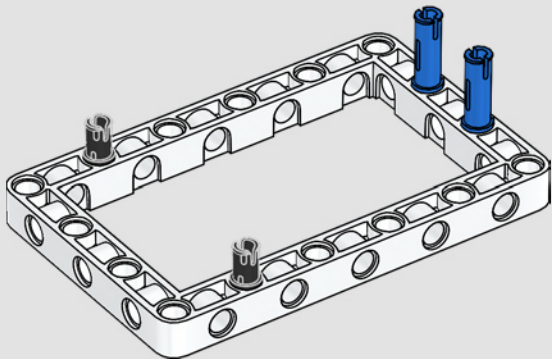


8

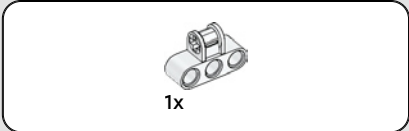
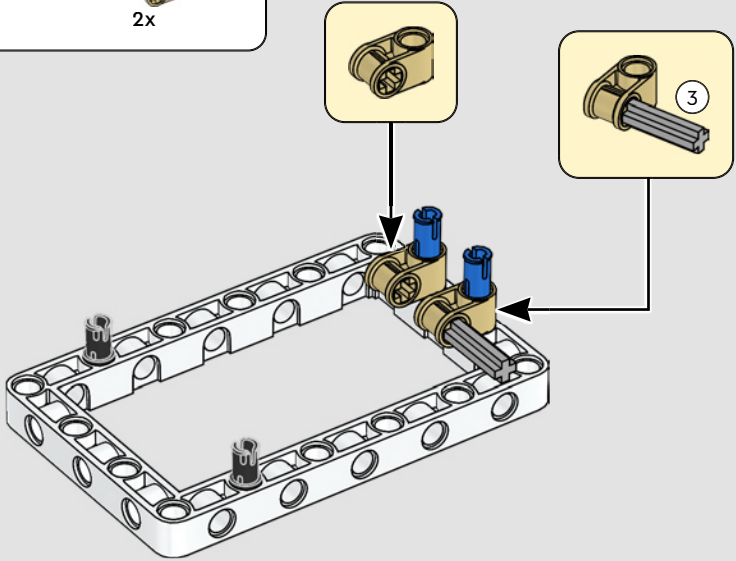




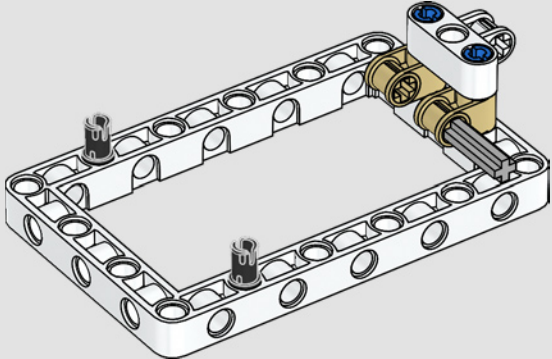
9

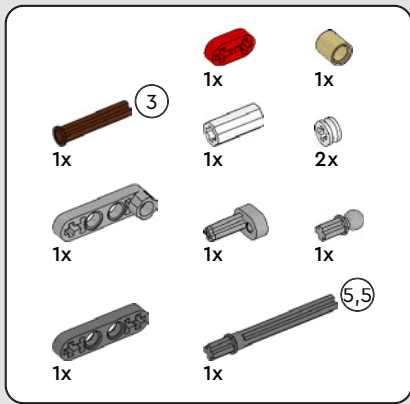


10

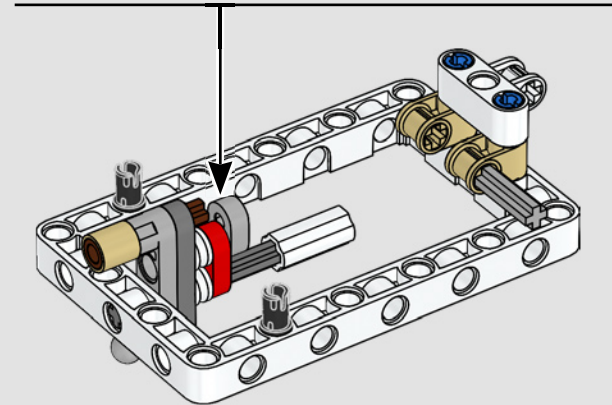
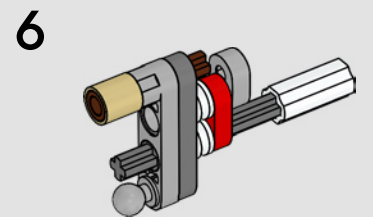
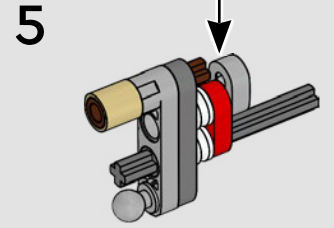
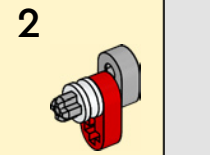
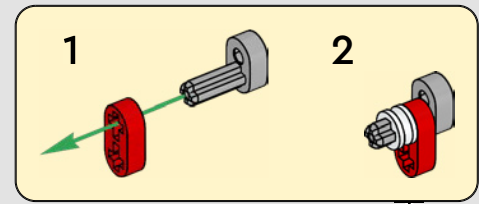
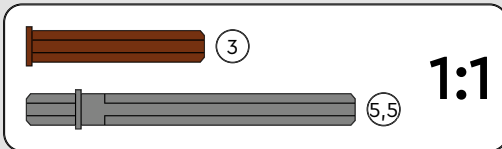
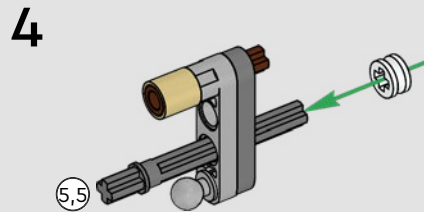
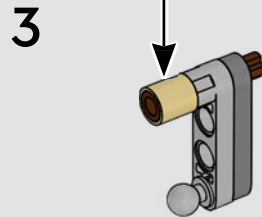
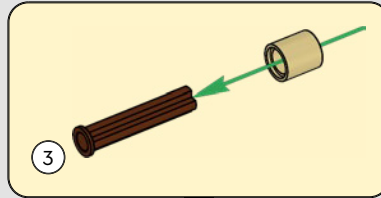
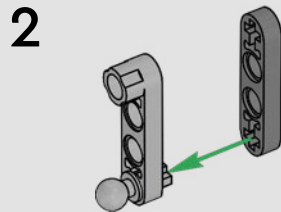
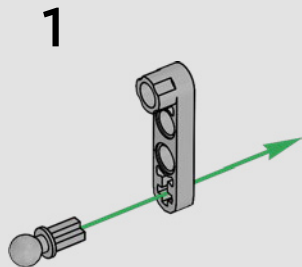


11

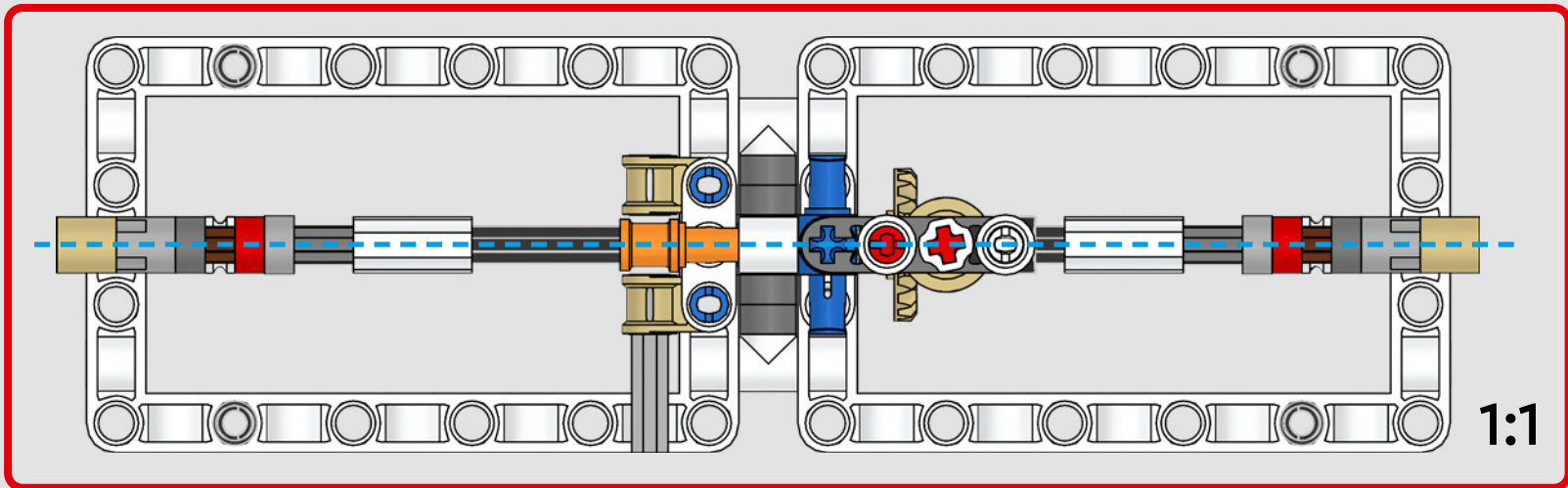
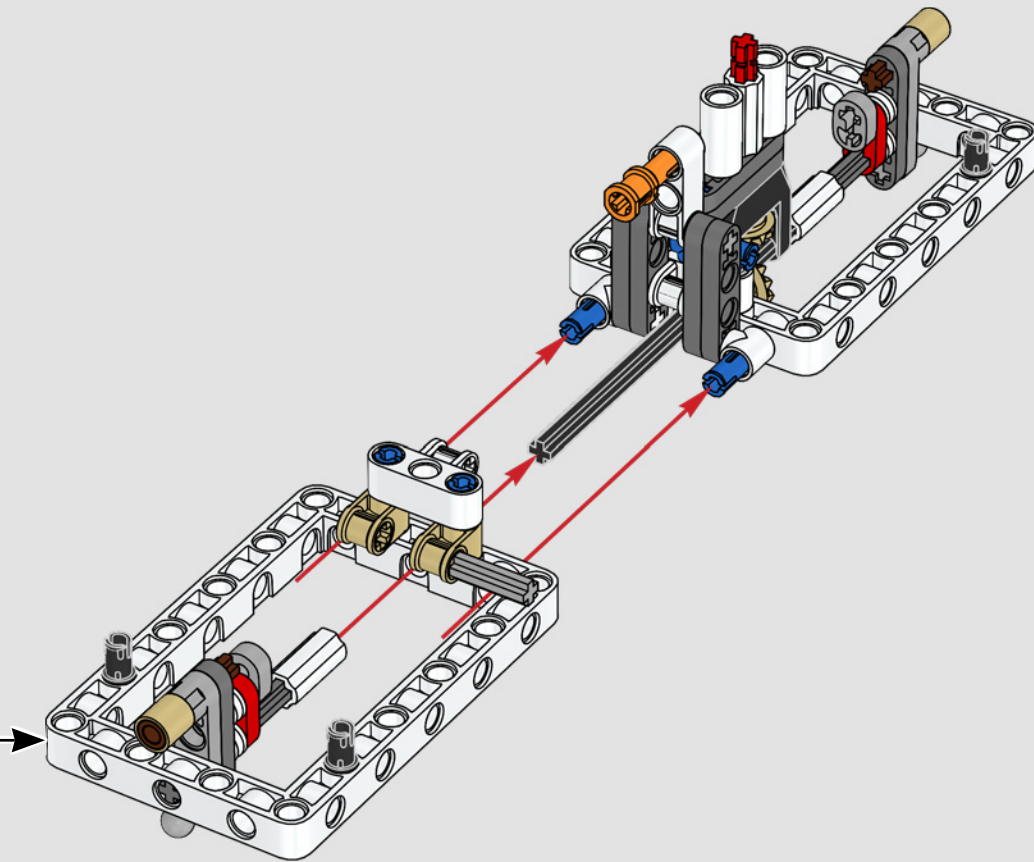


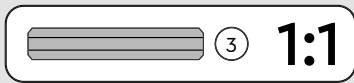
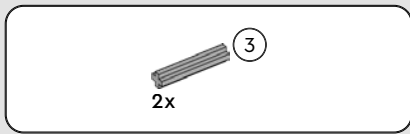


12

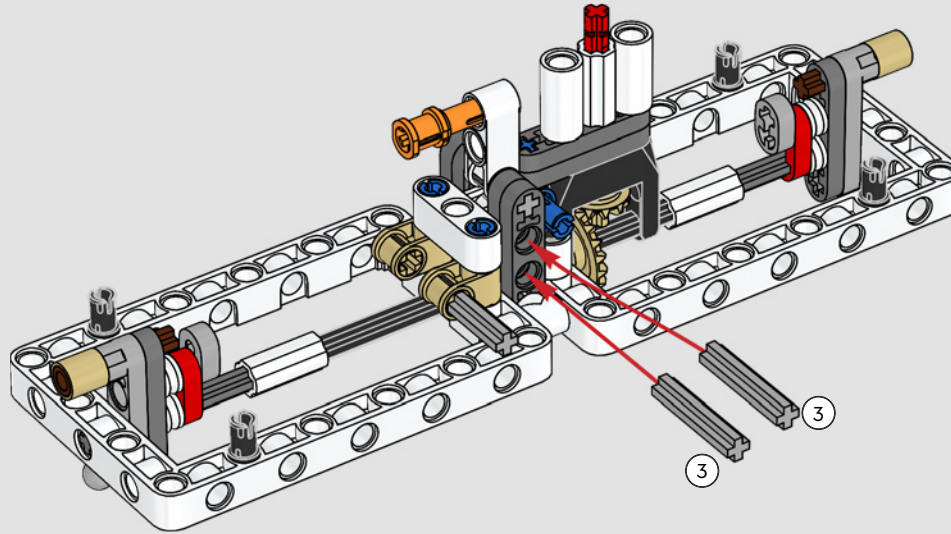


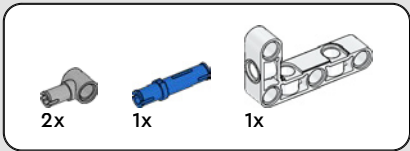
13



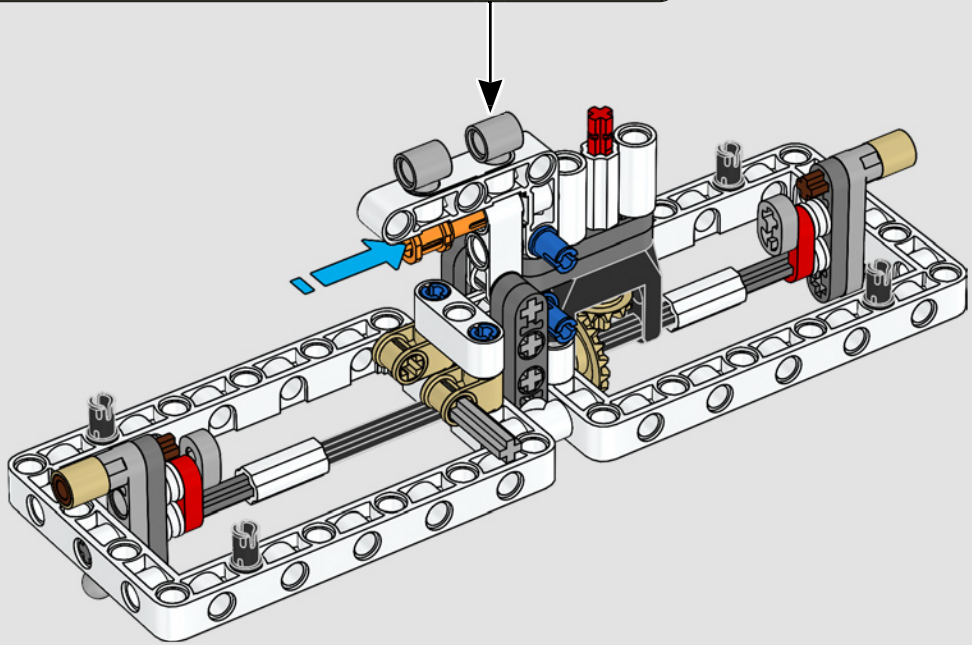
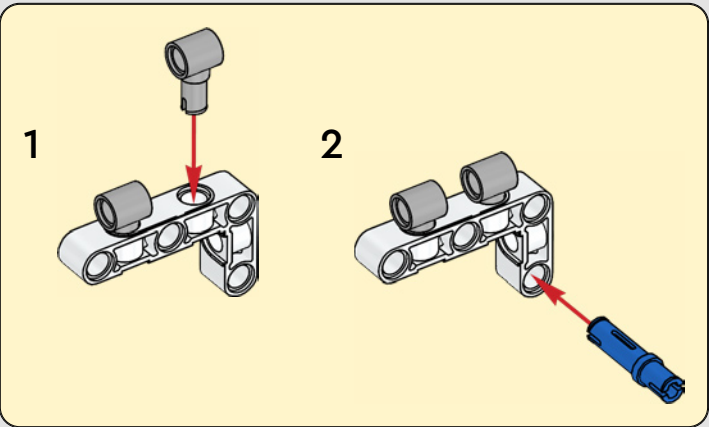


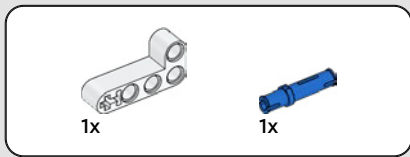
14



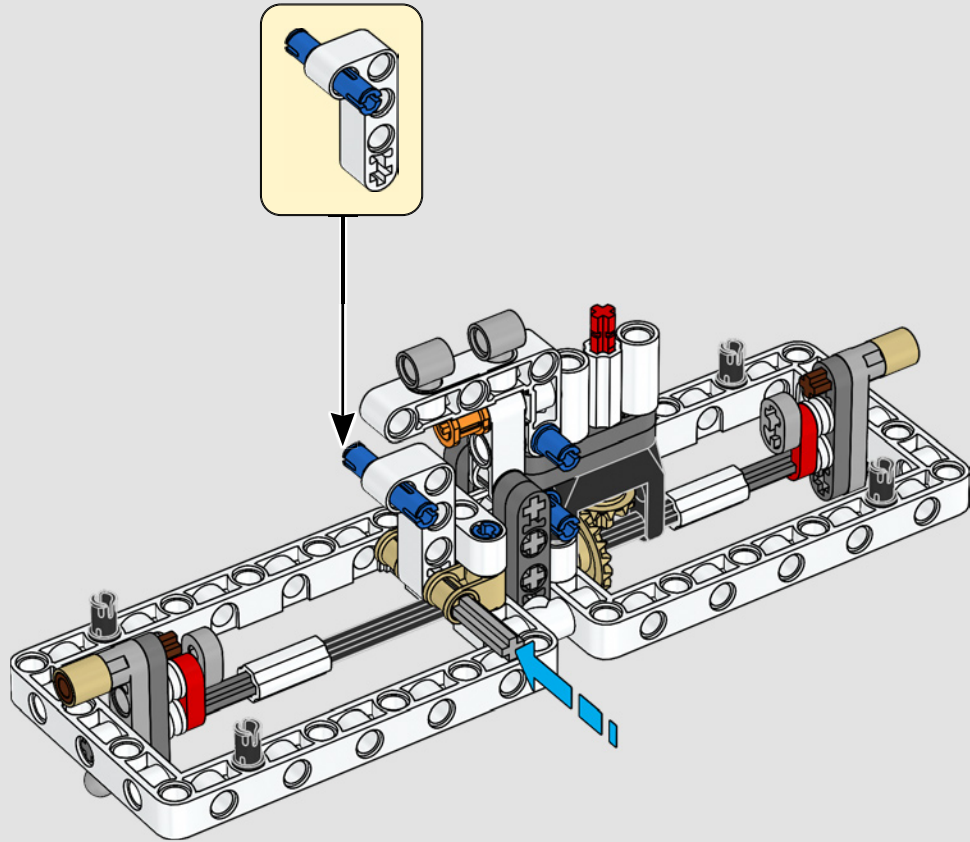


15





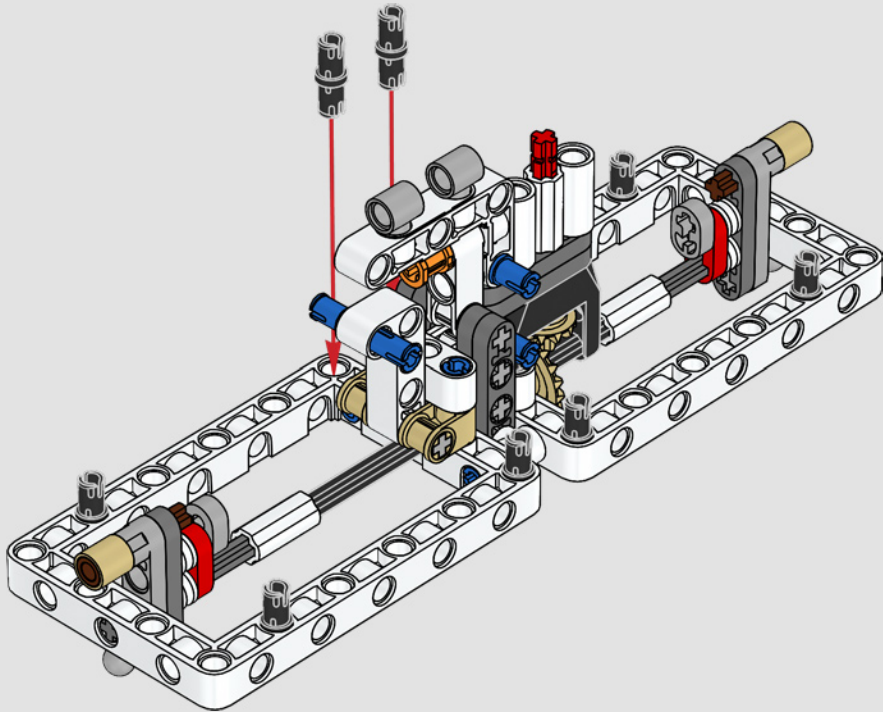
16



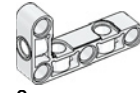


4x

17

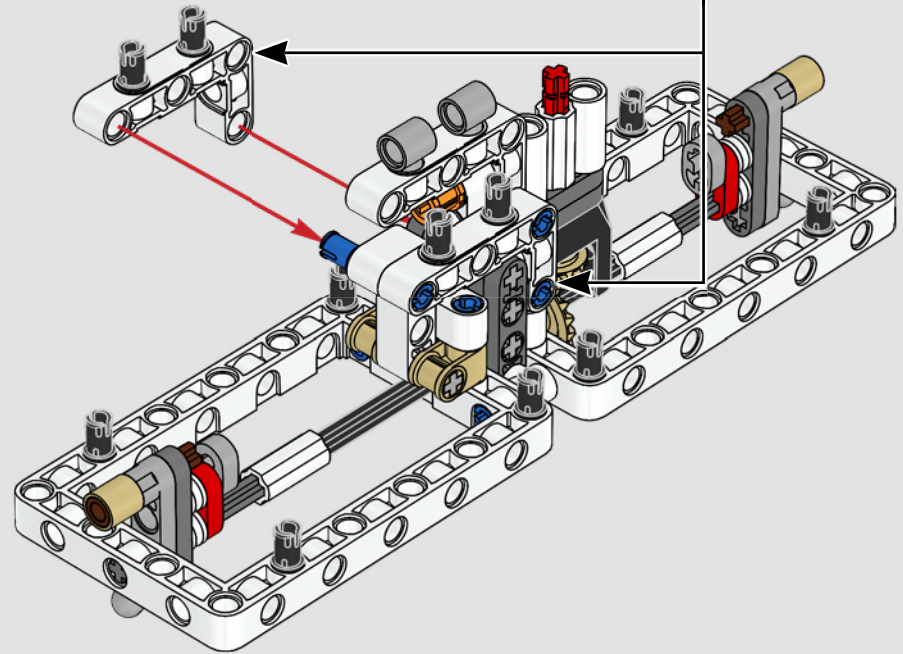


4x



2x

18



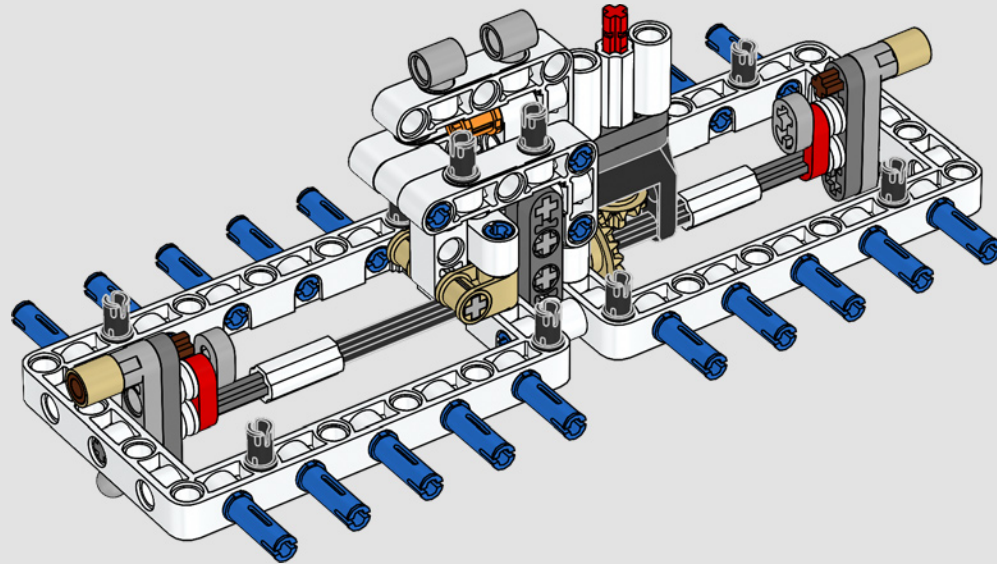
2x

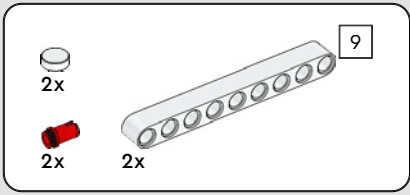




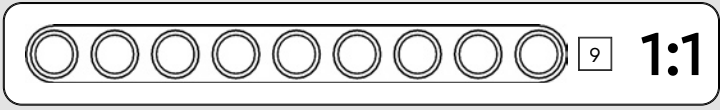
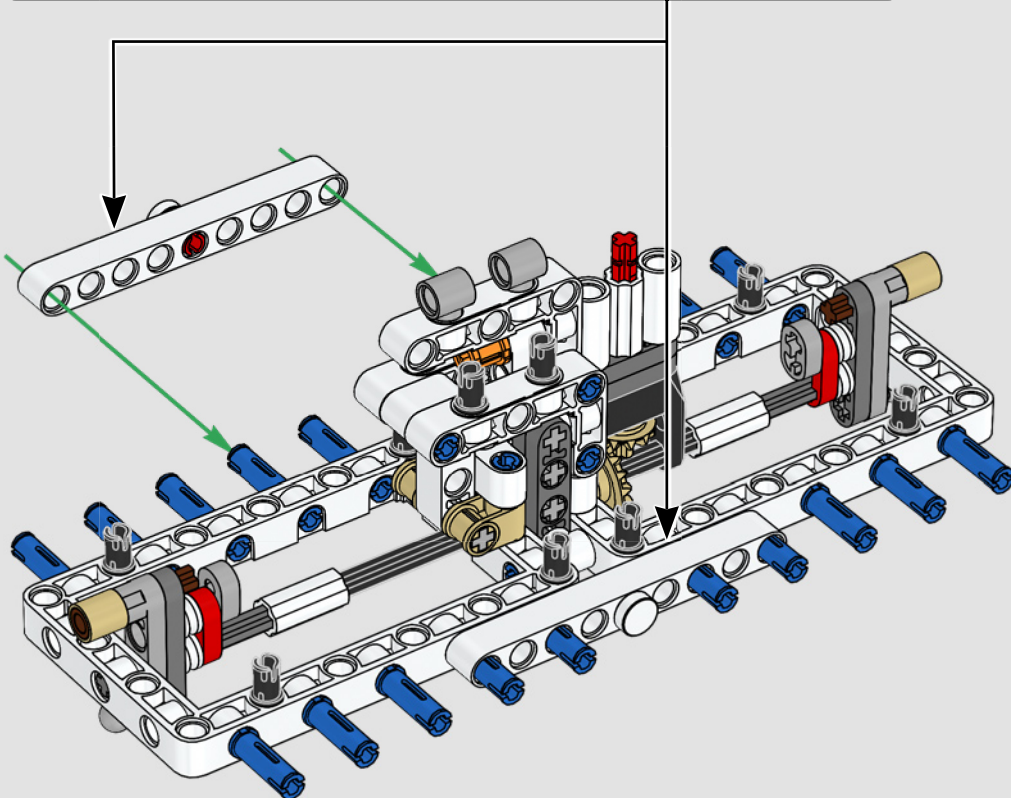
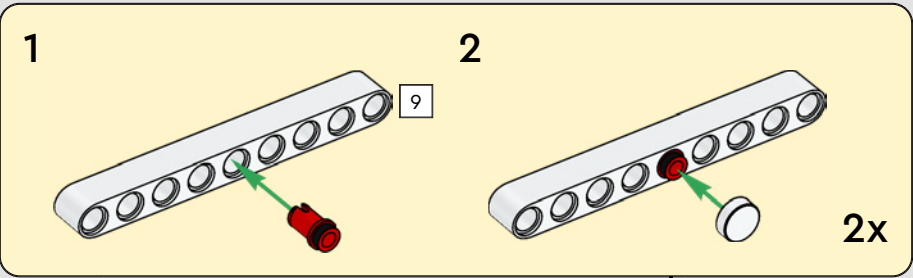
20x

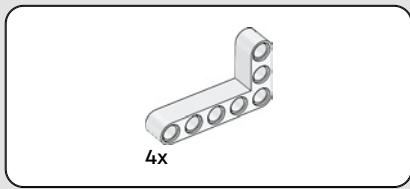
19



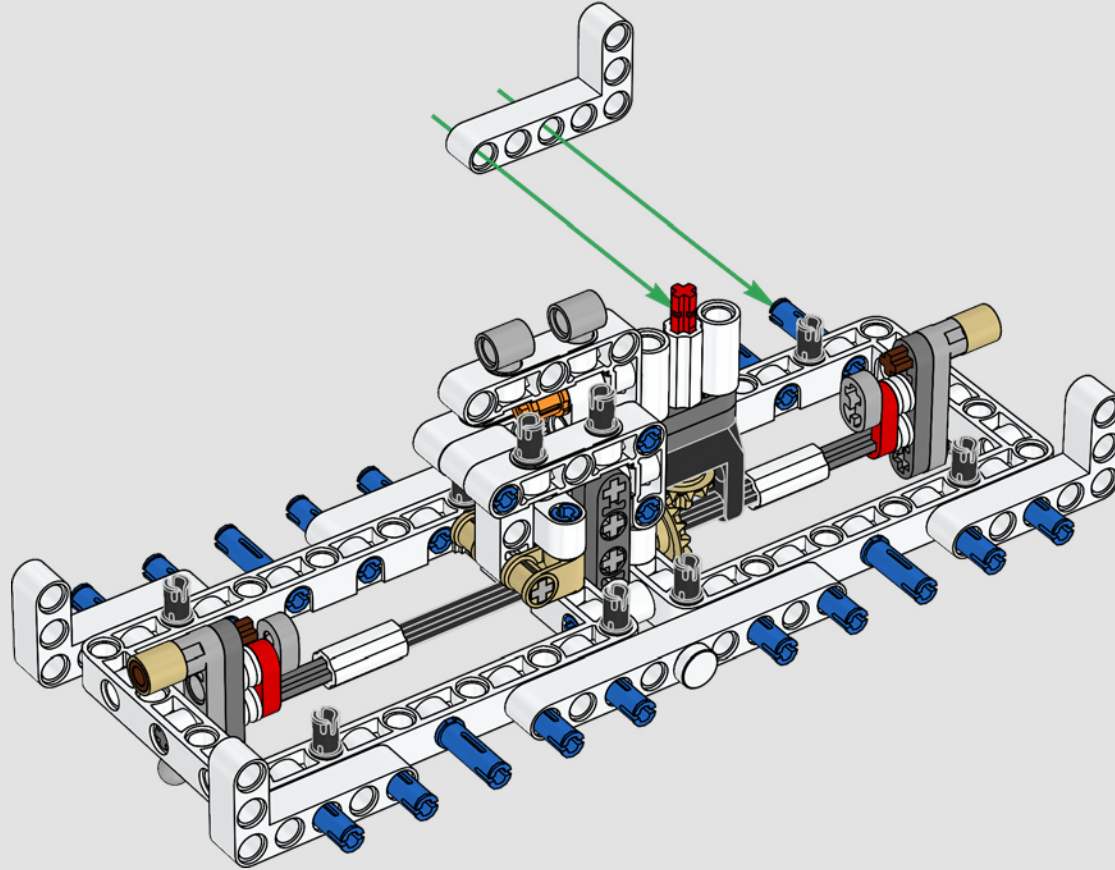


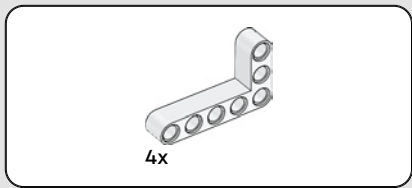
20



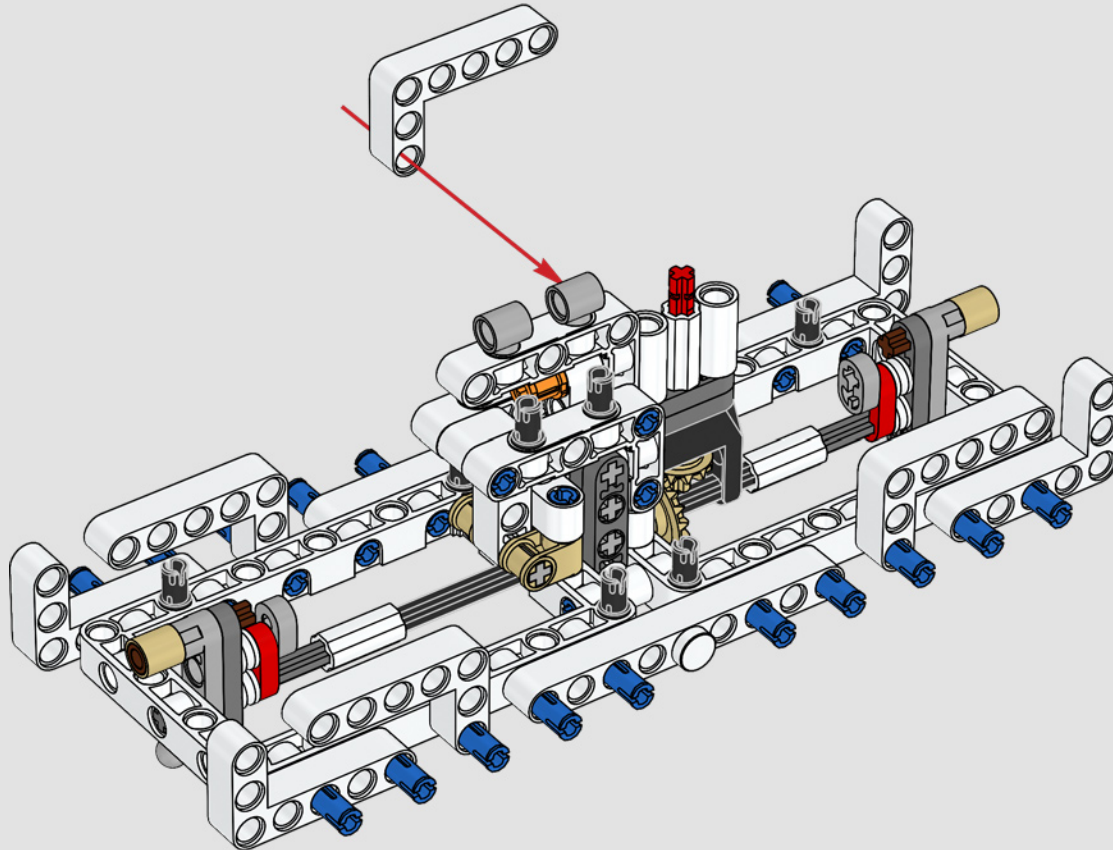


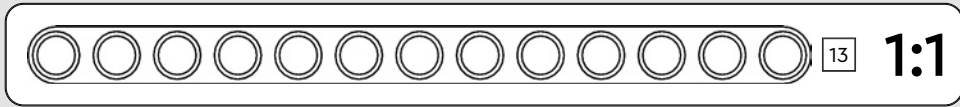
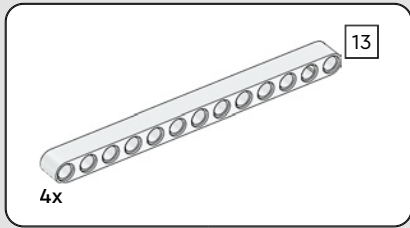
21



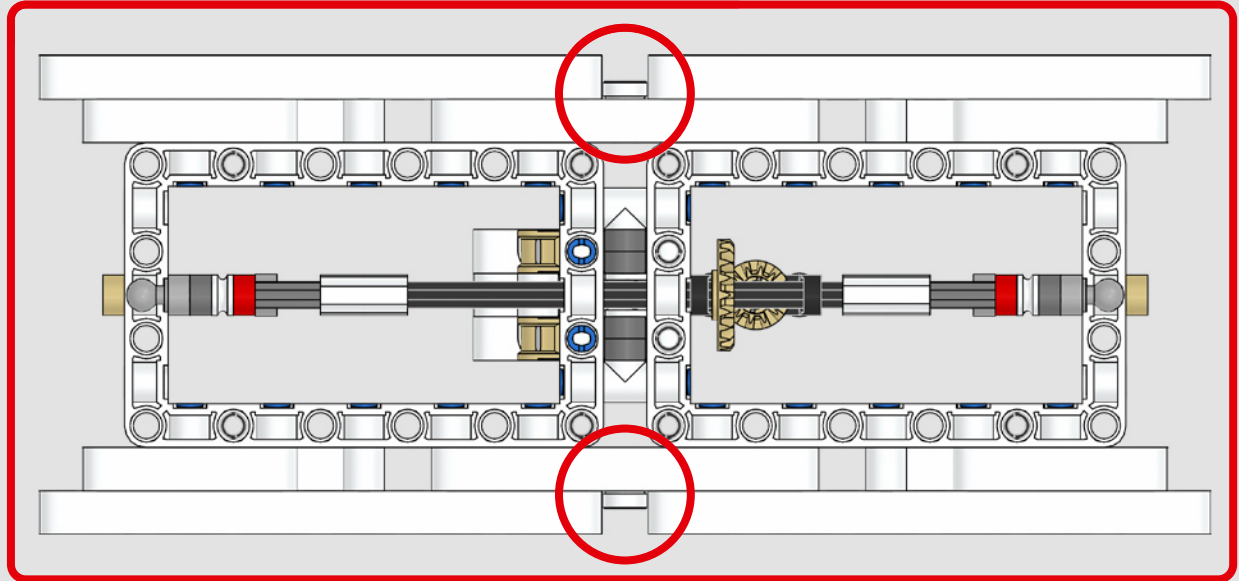
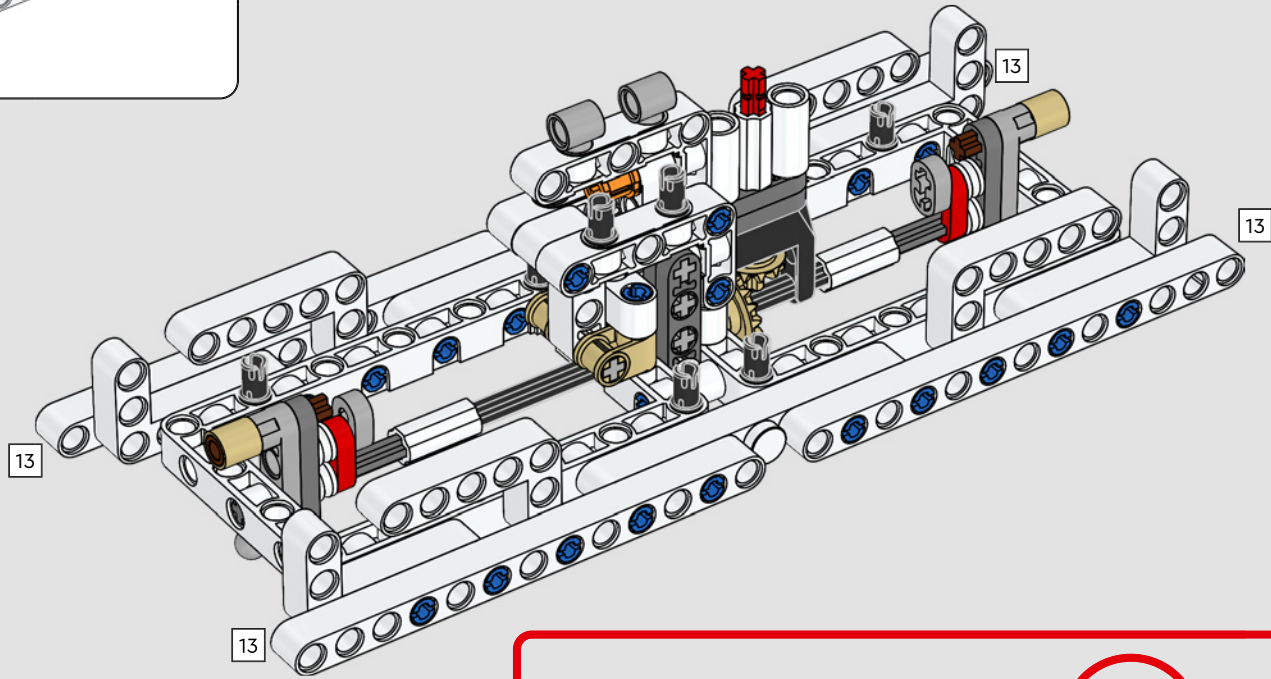


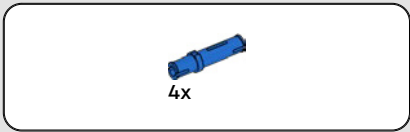
22



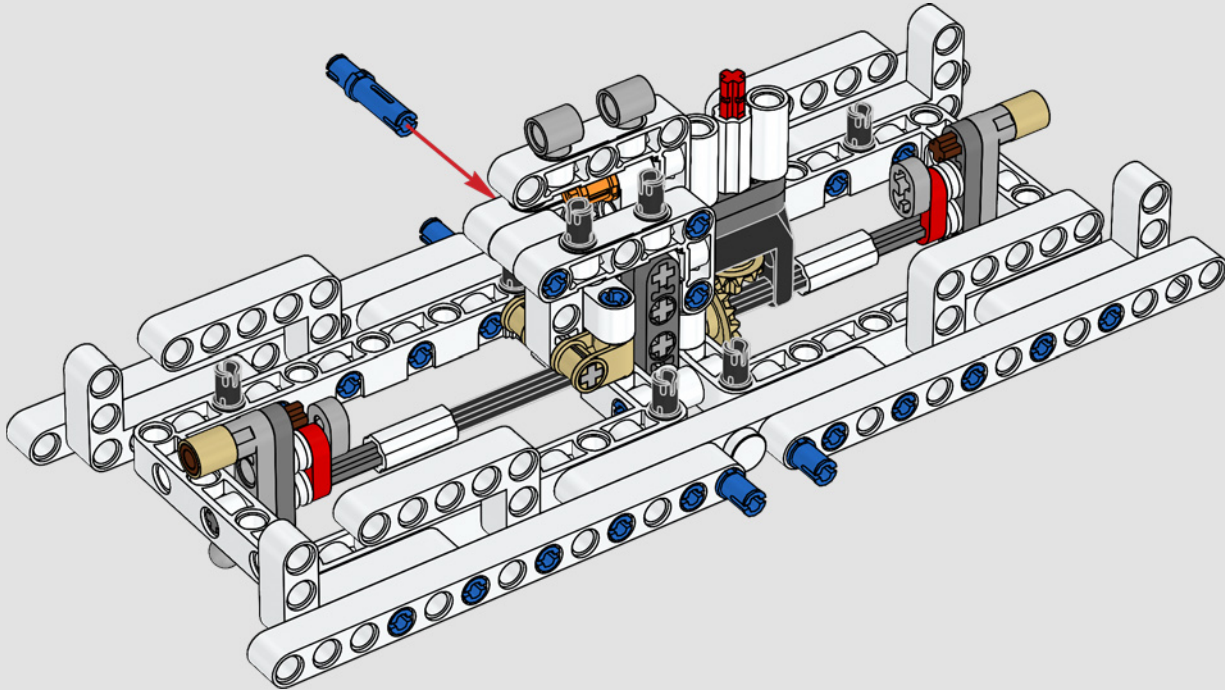


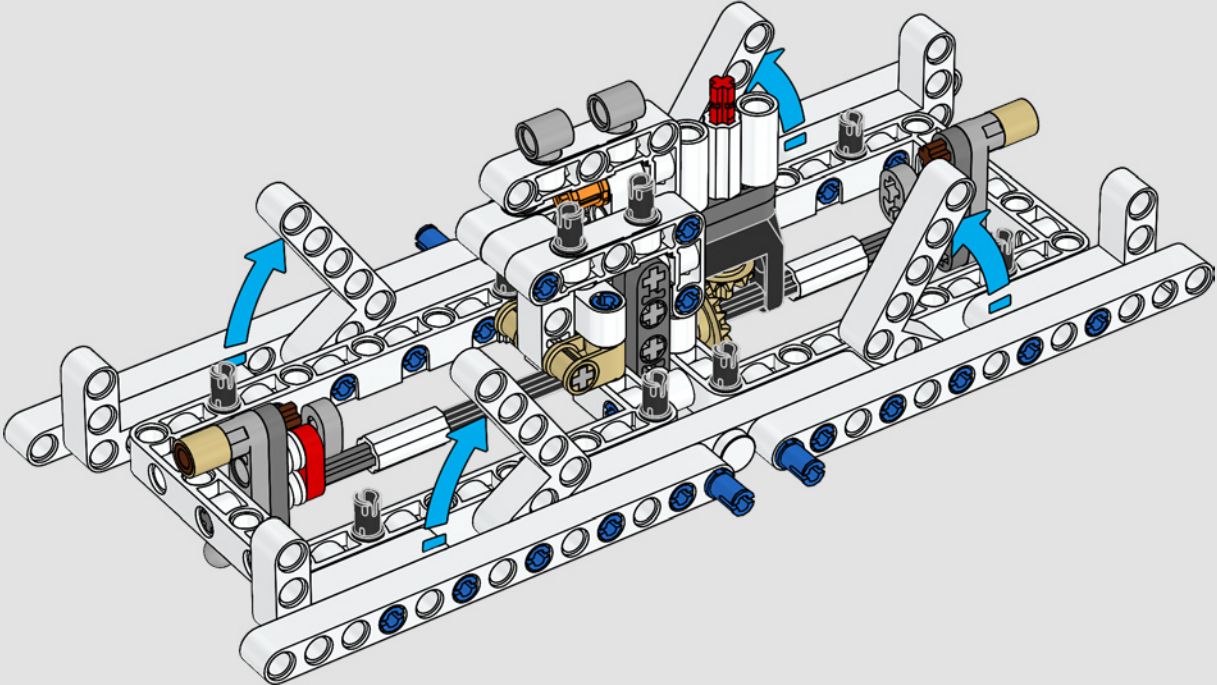
23

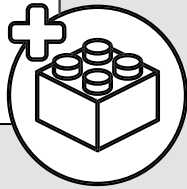
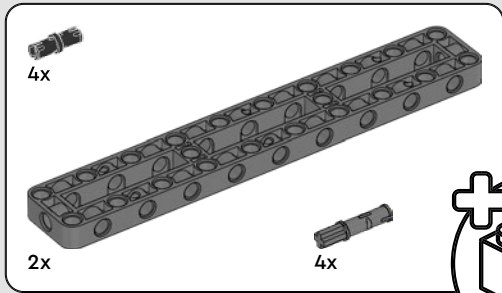
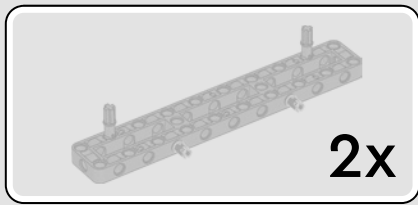




24

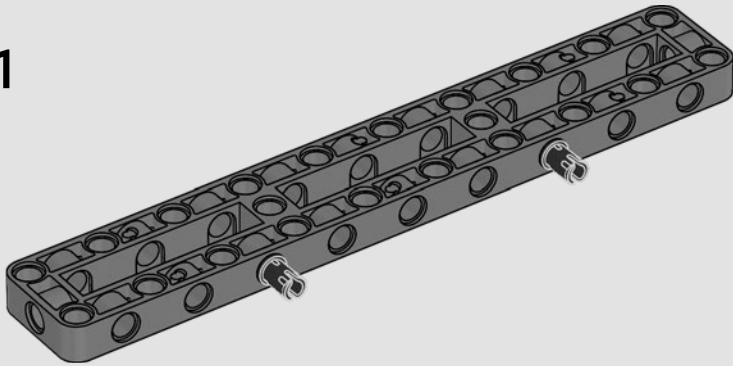




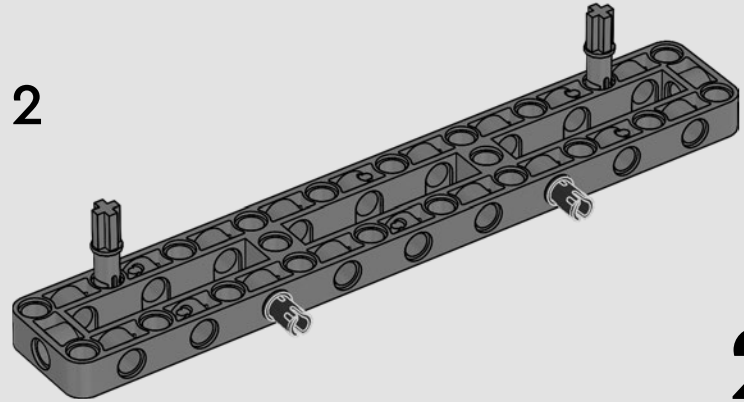


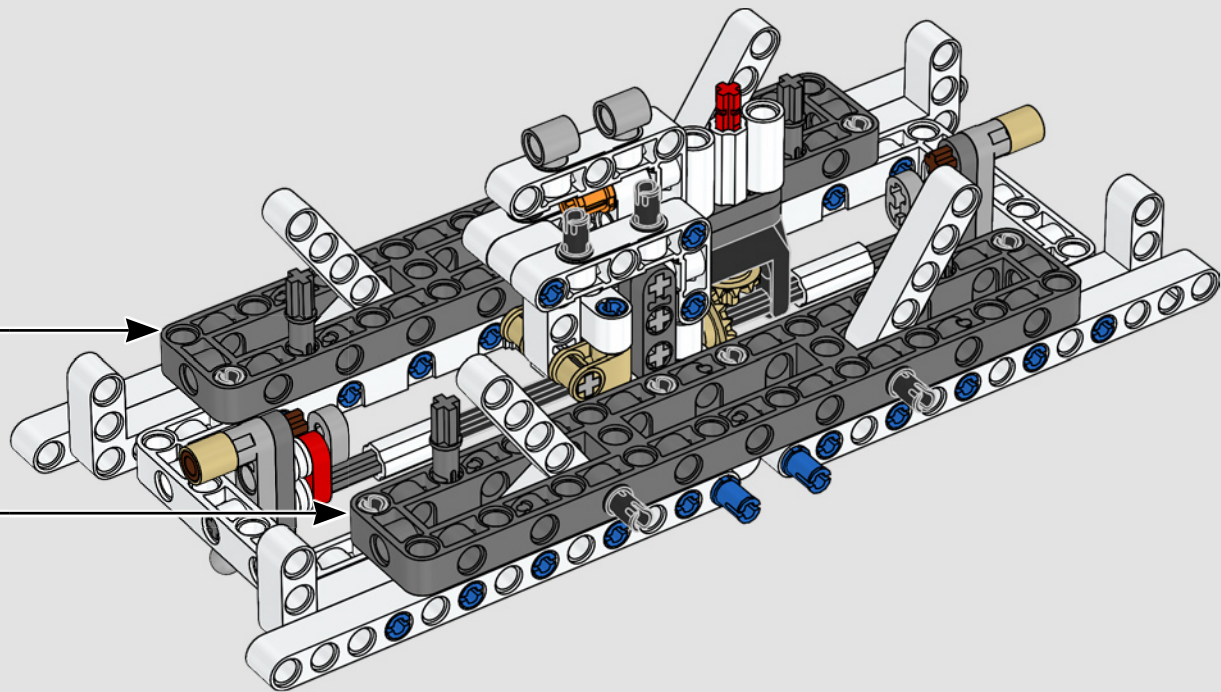
26

1

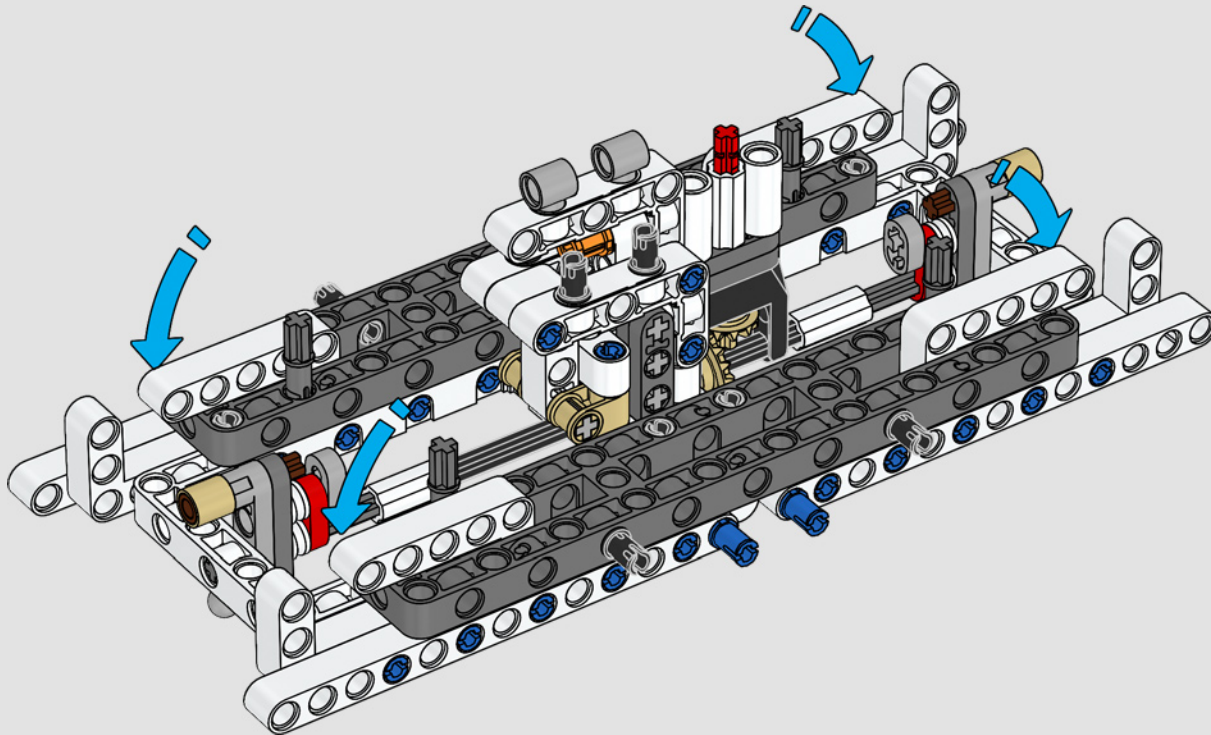


2

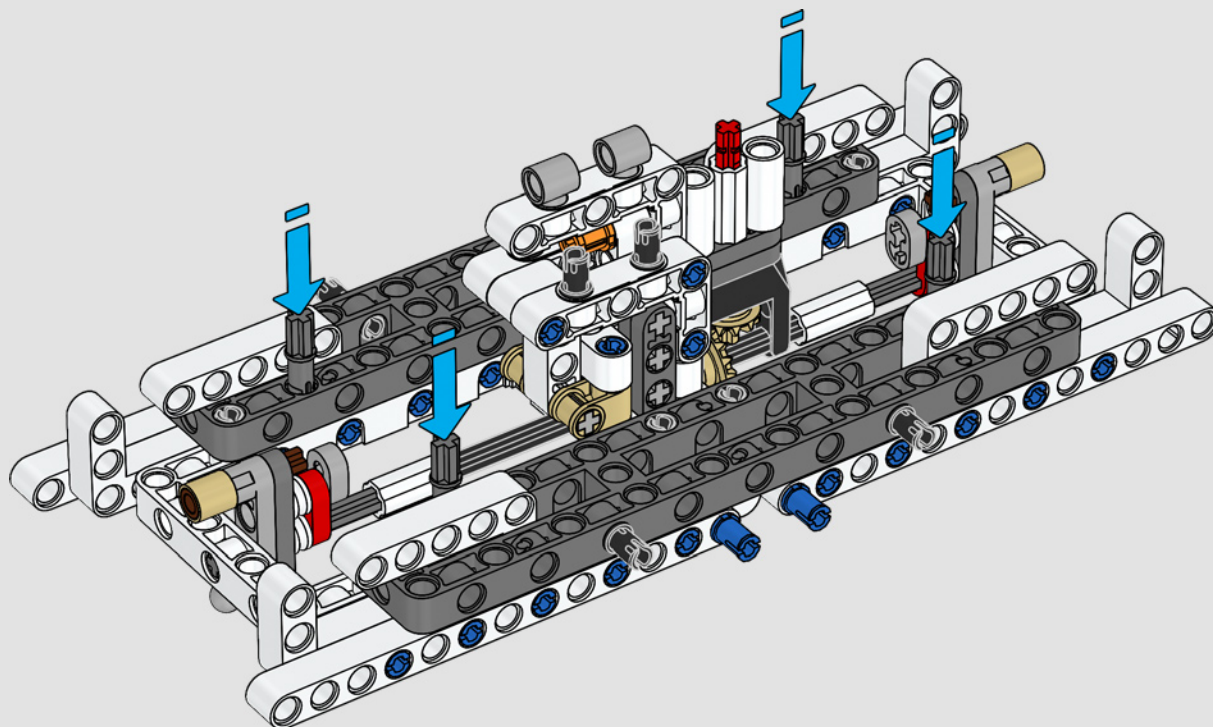




27



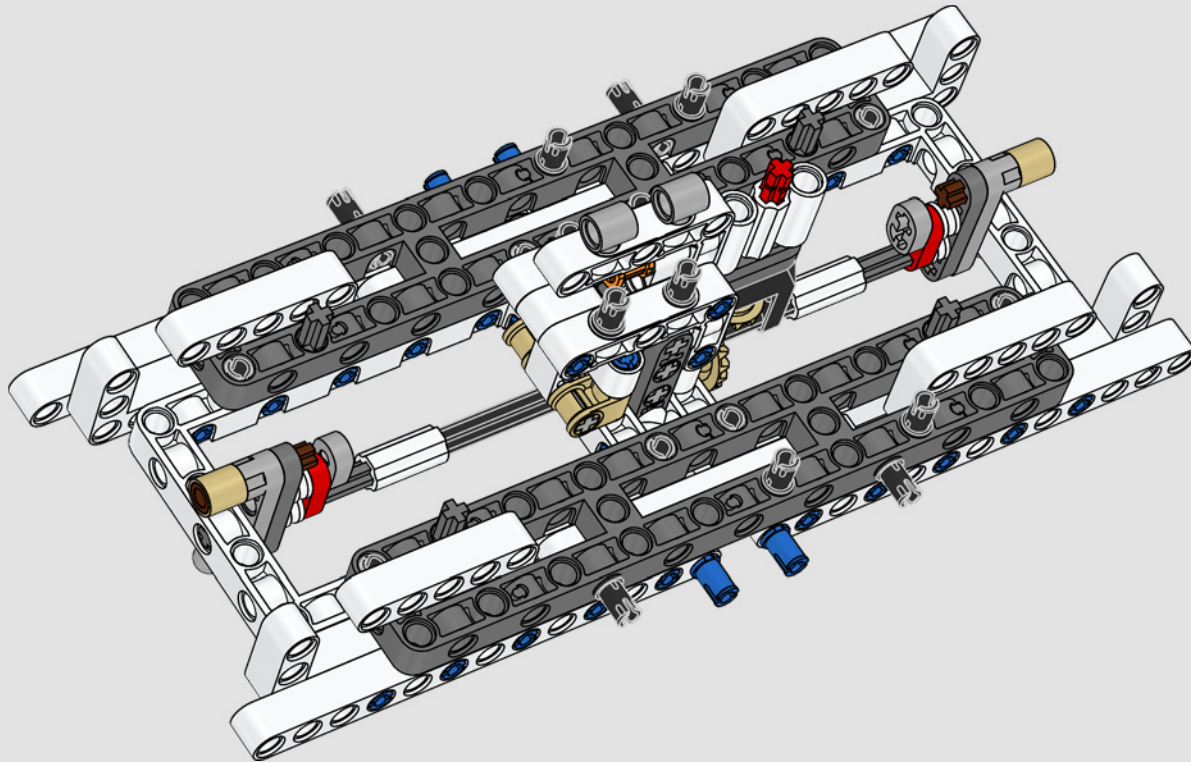
28

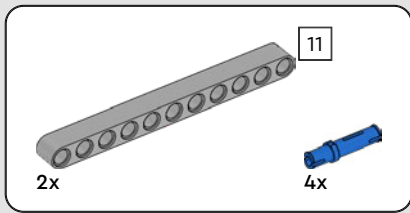




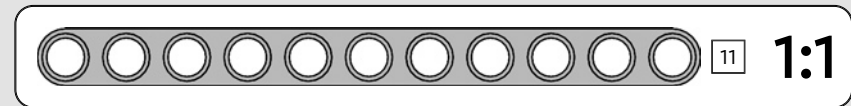
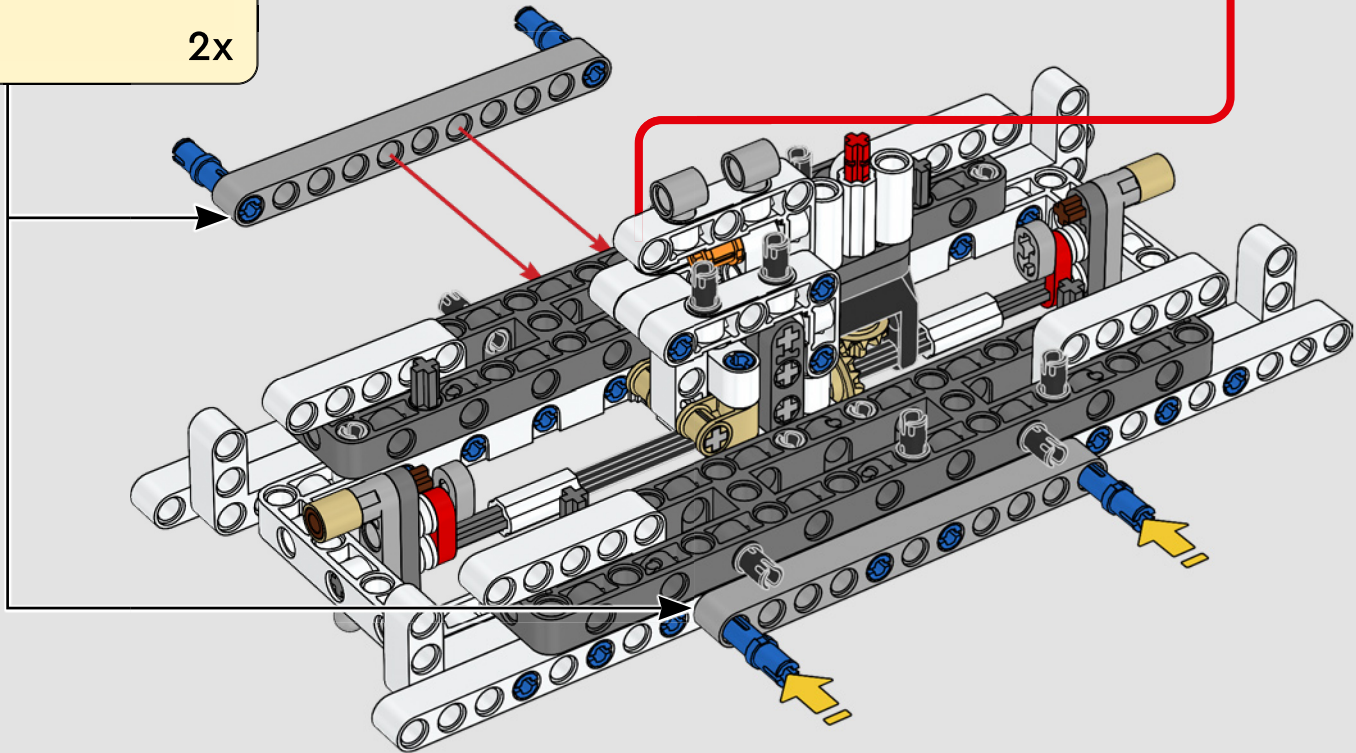
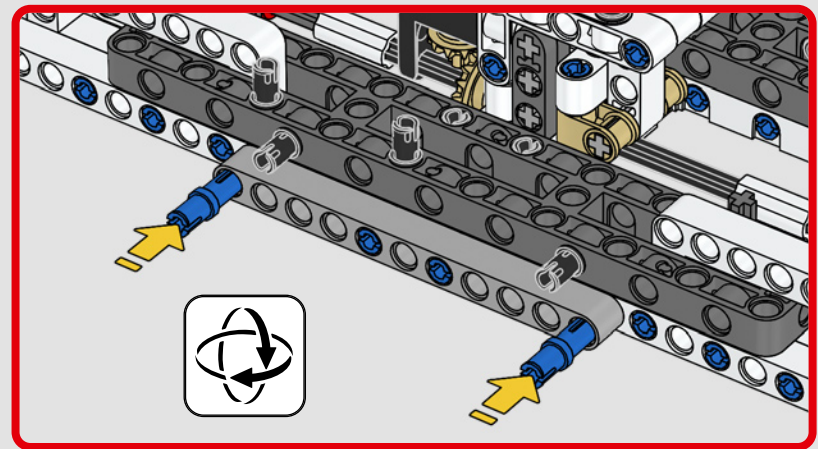
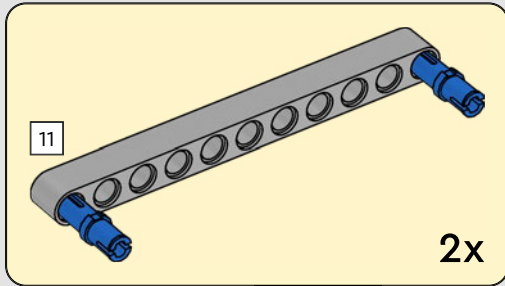
4x

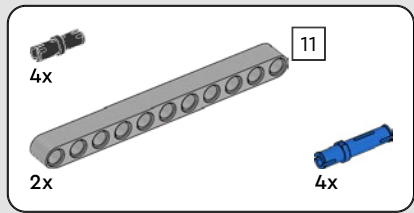
29



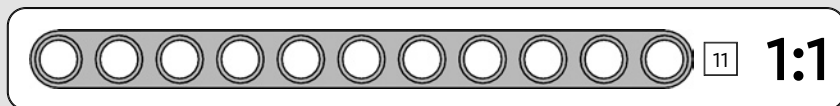
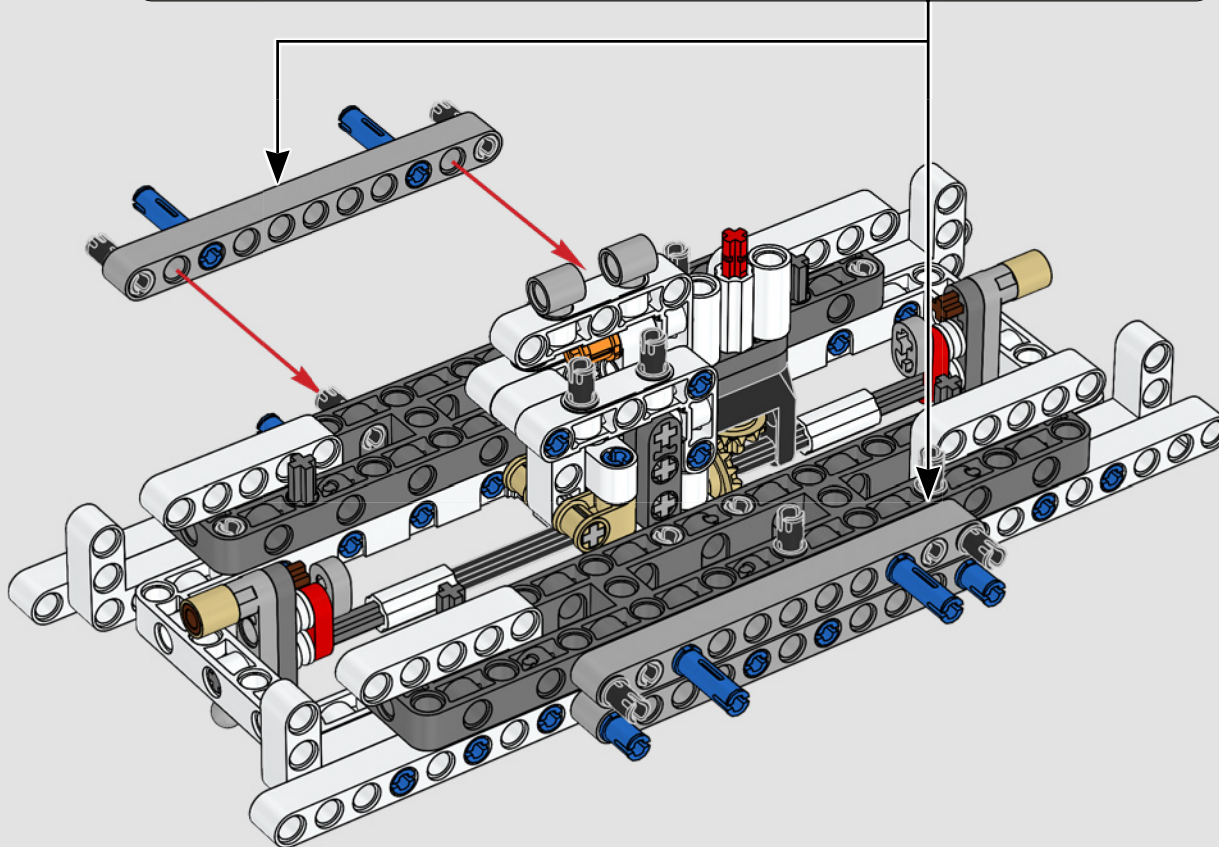
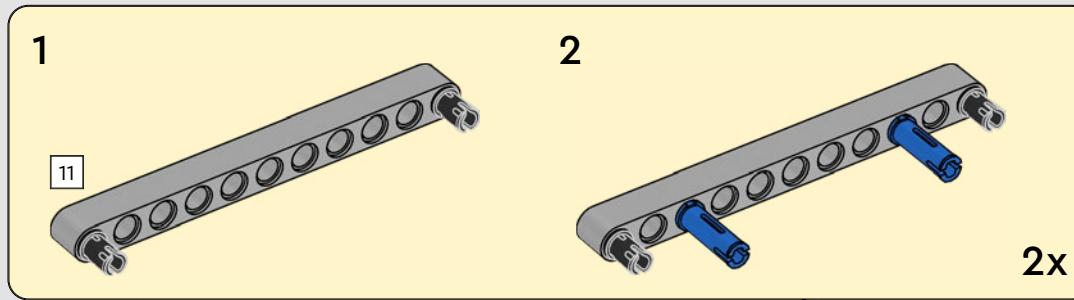


30





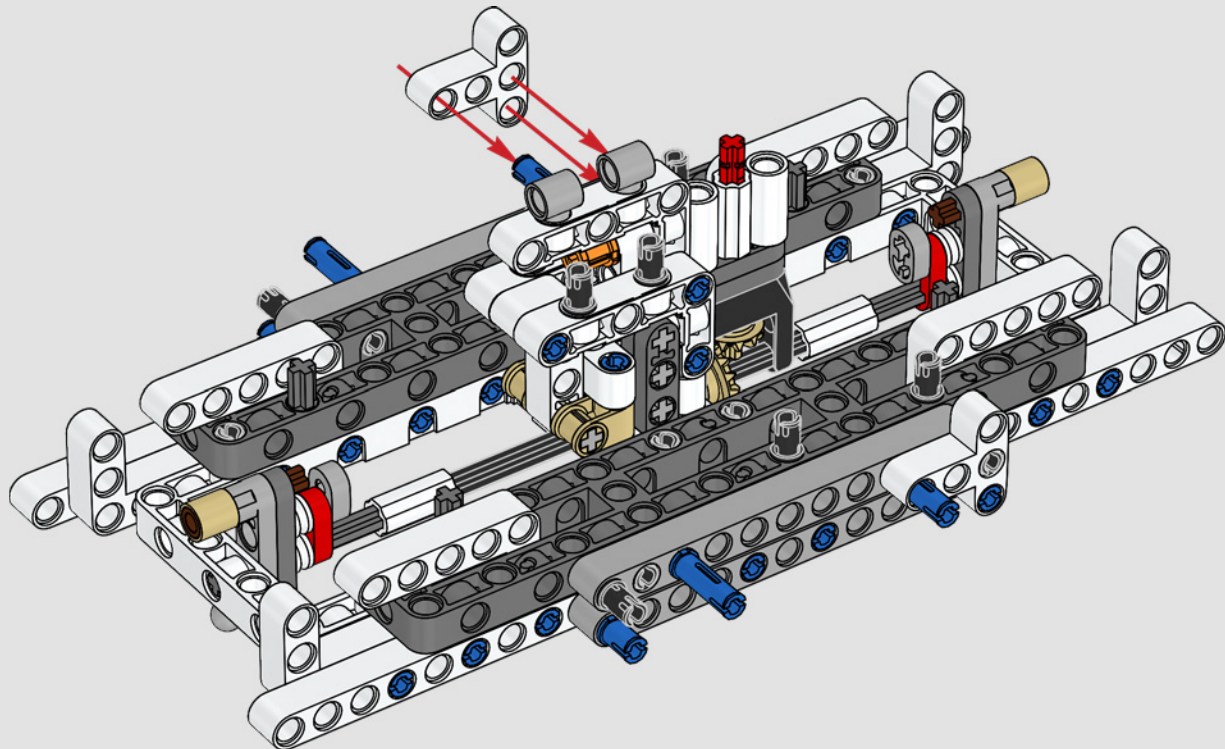
31

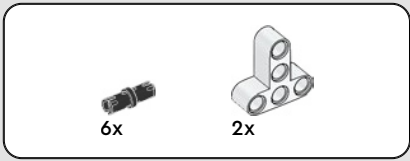




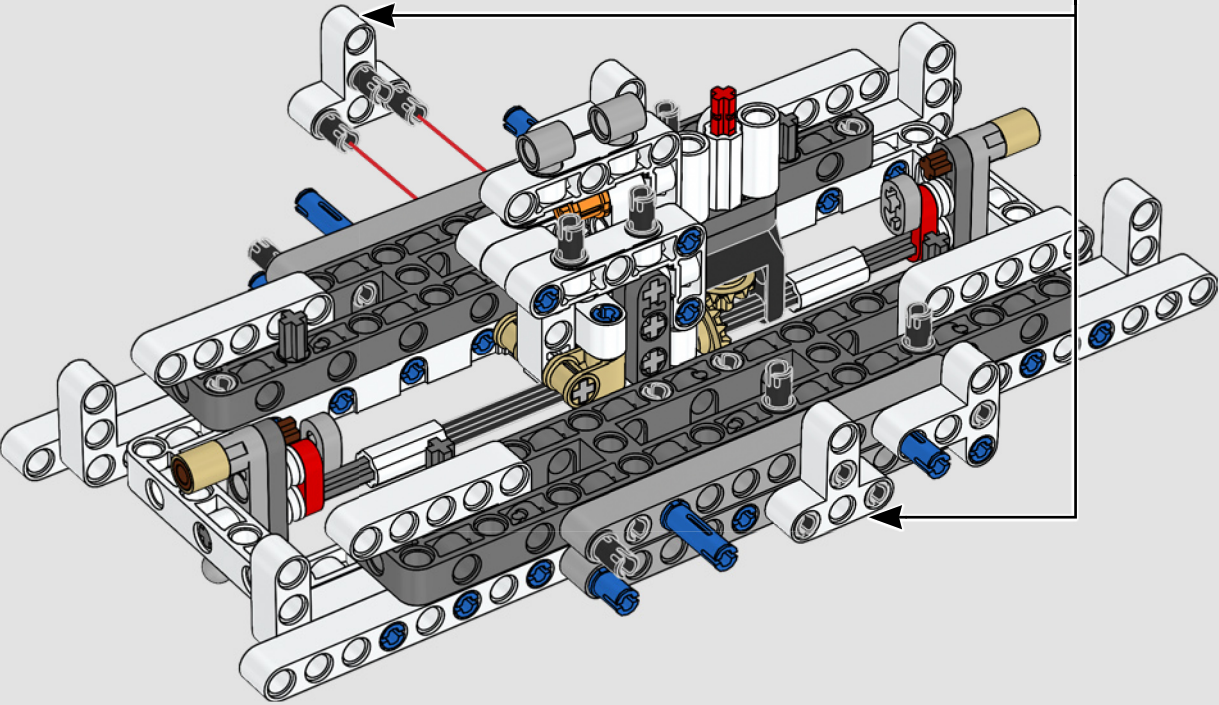
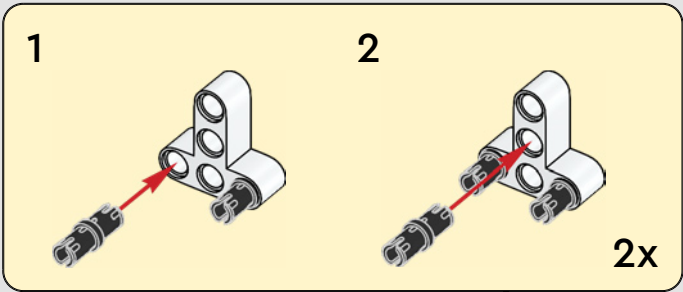
2x

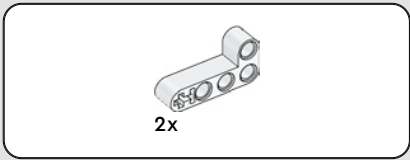
32



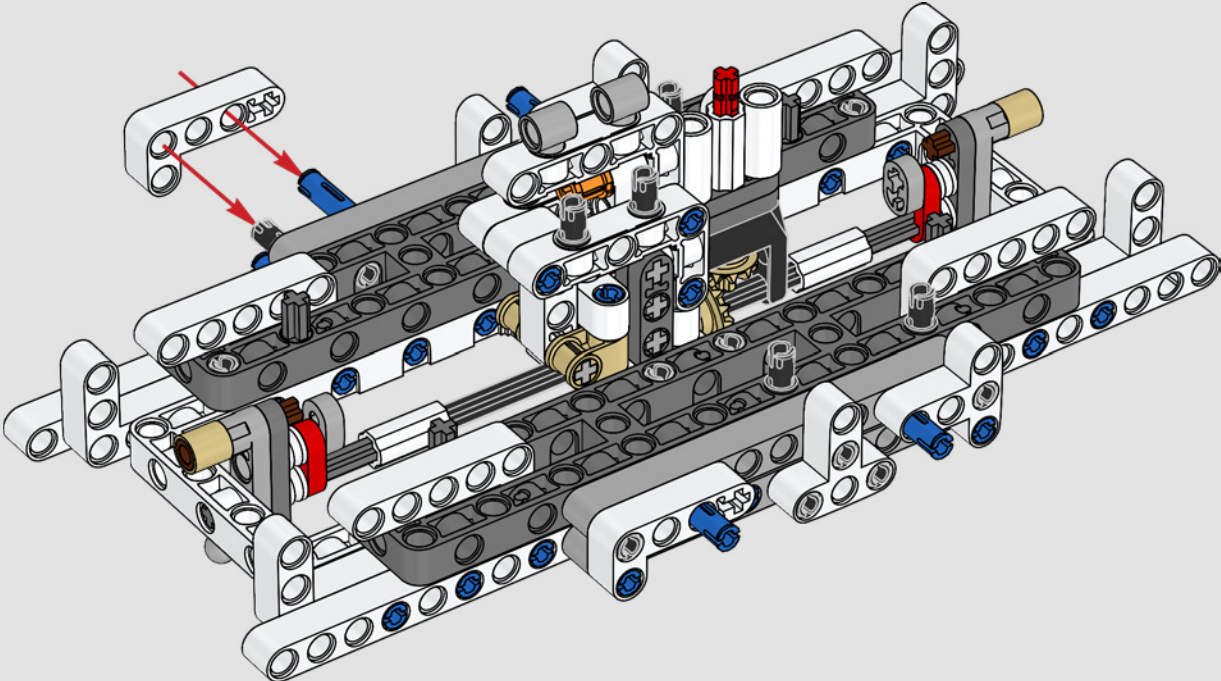


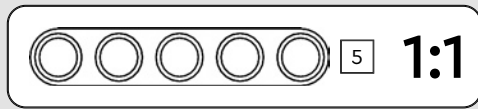
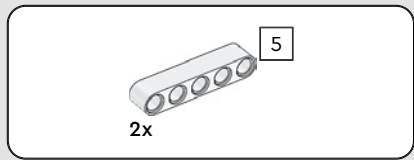
33



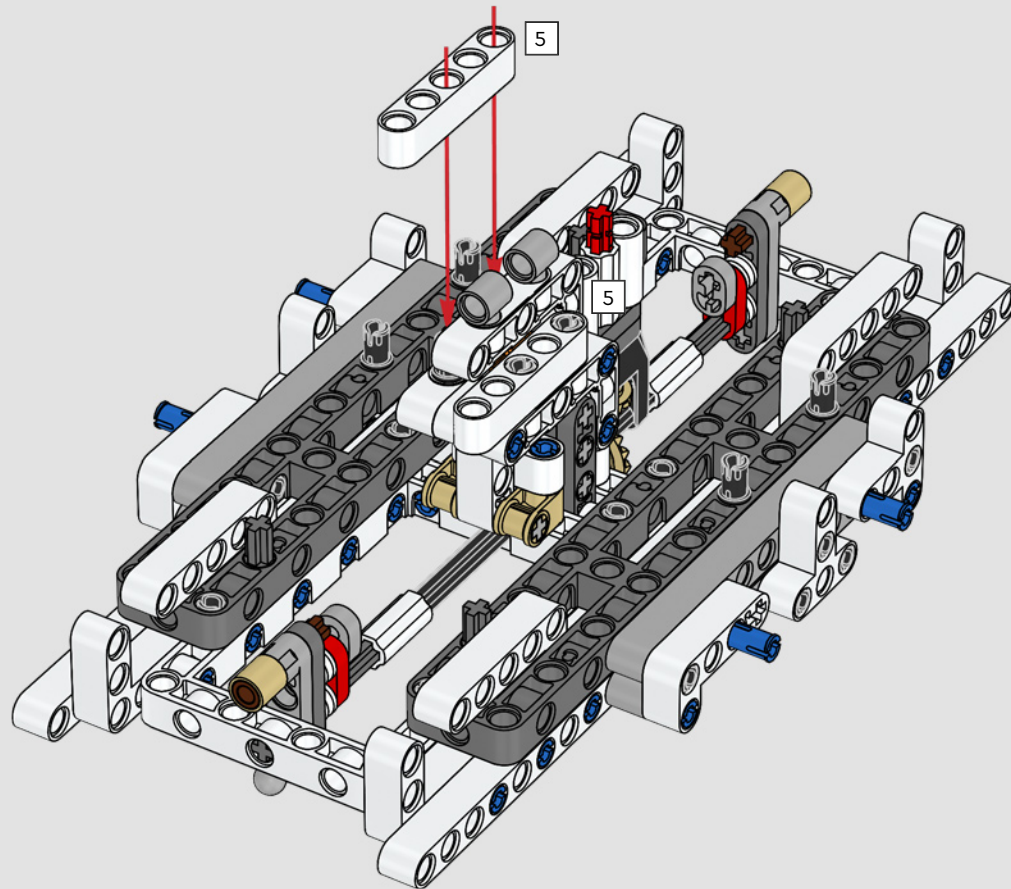


34

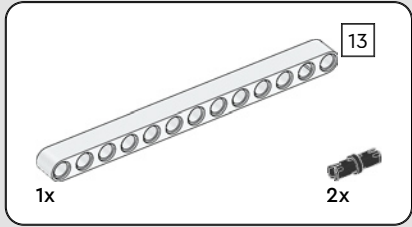
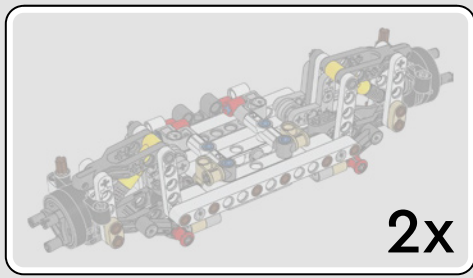




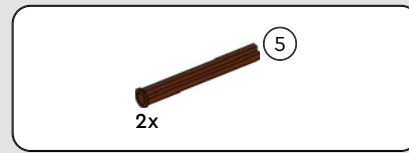
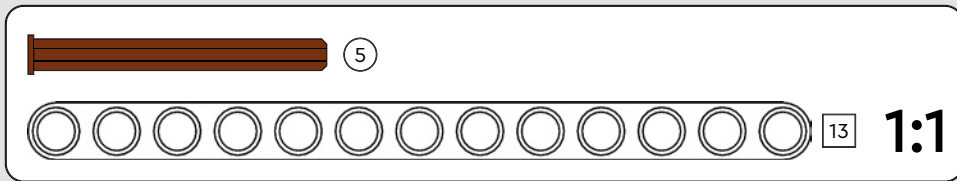
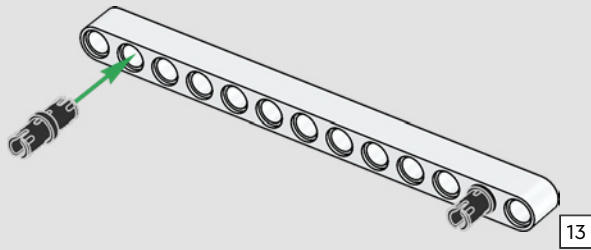
35



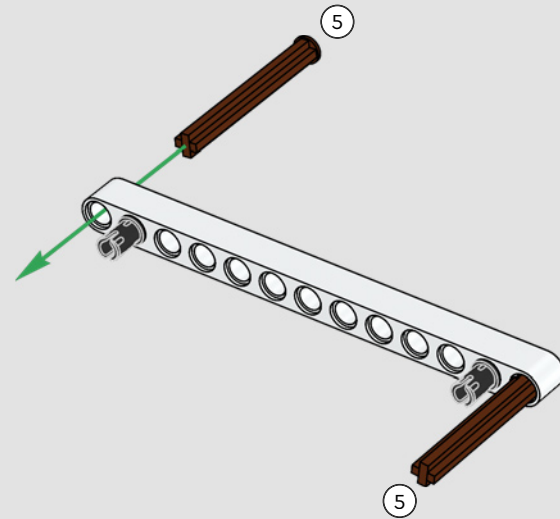


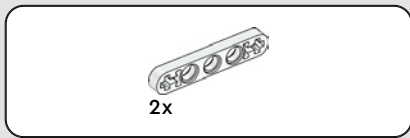


36

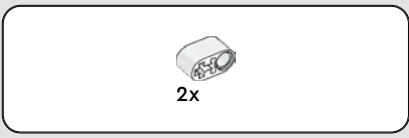
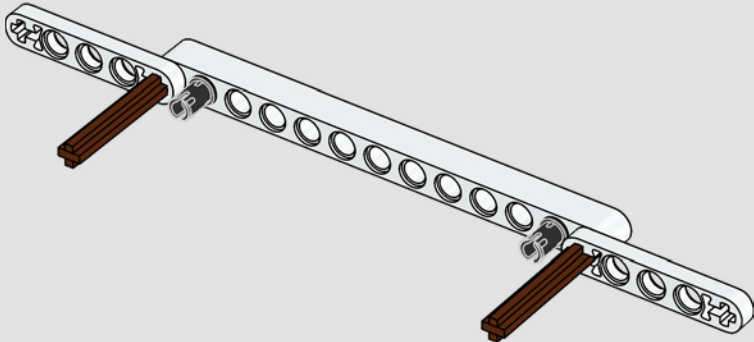


37

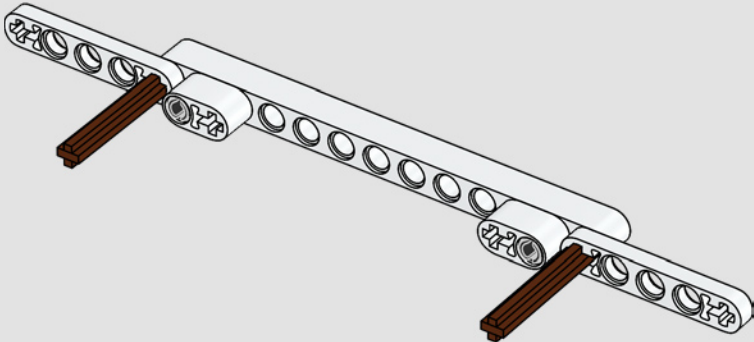


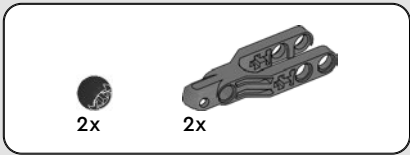


38

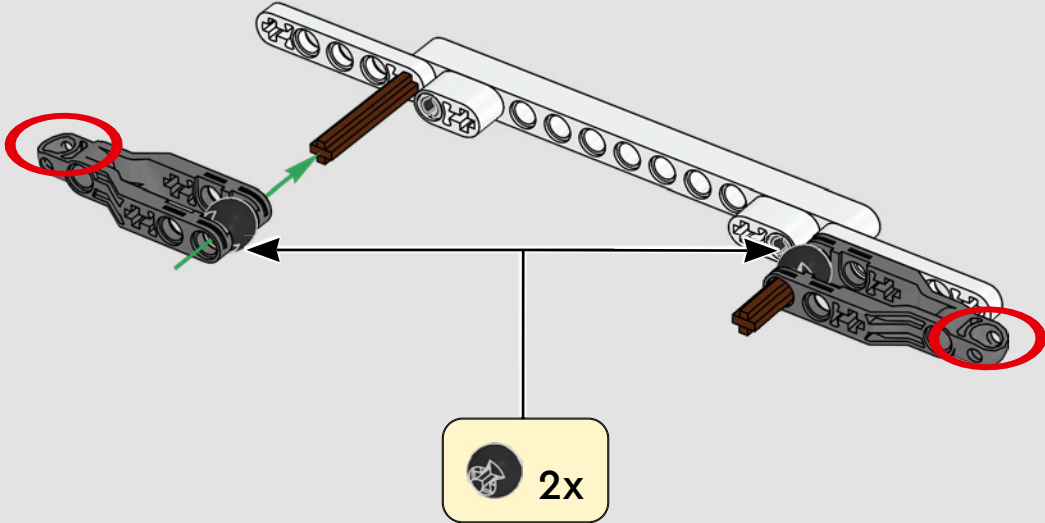
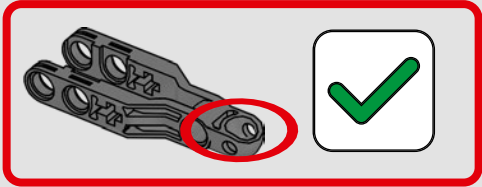


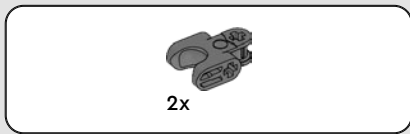
39



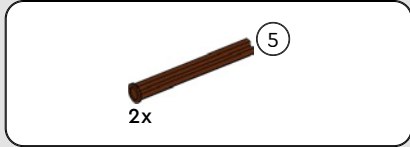
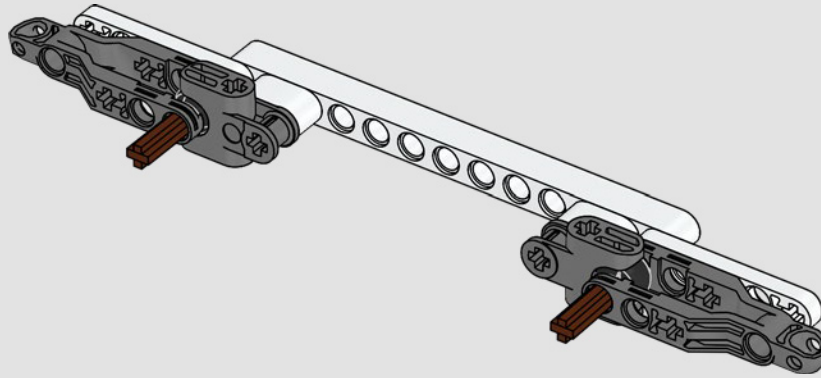


40

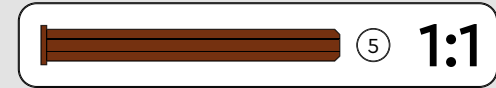
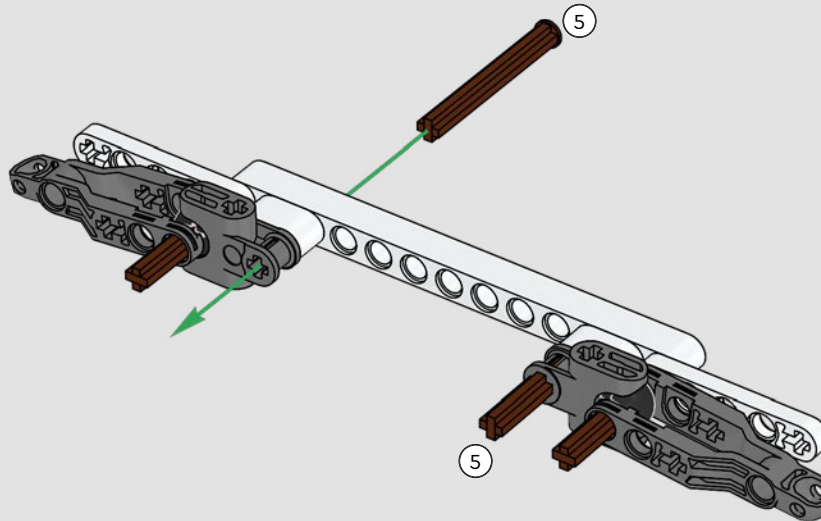




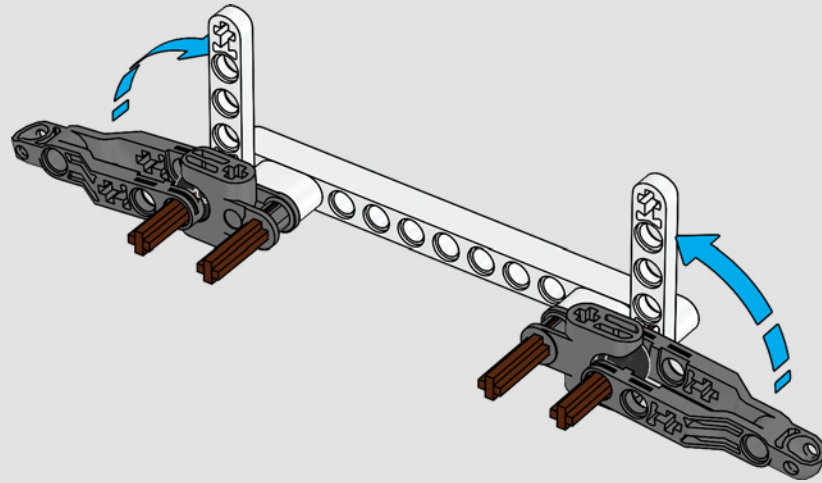
41



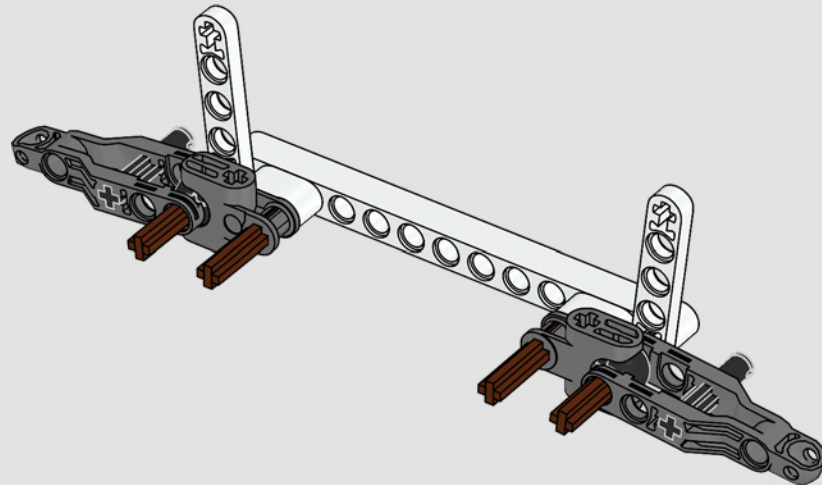
42

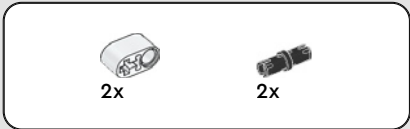


43

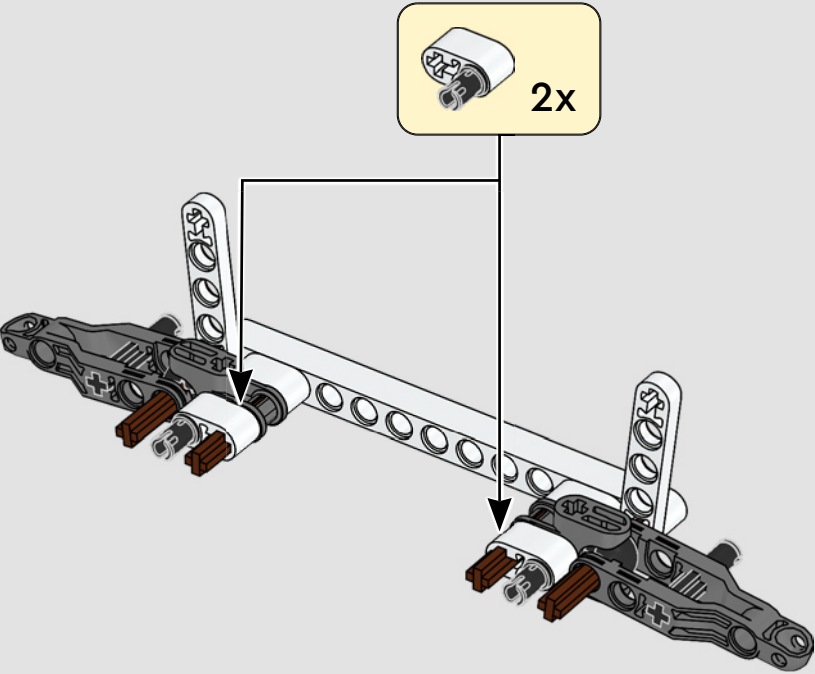


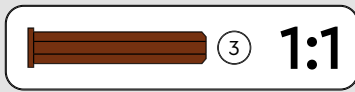
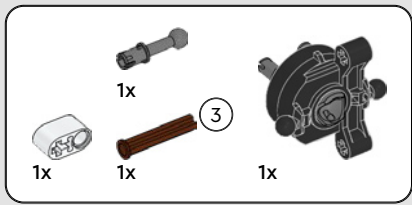
44



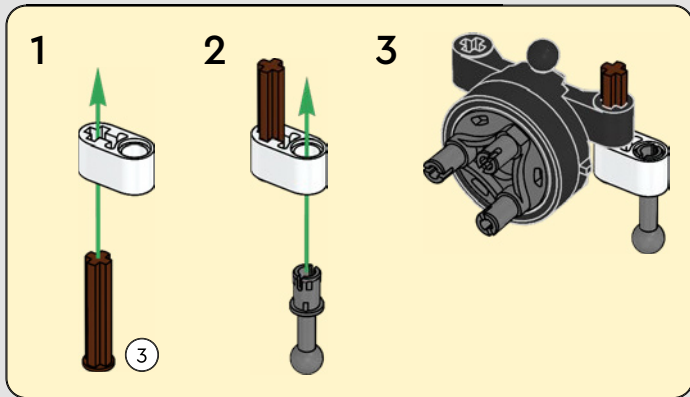
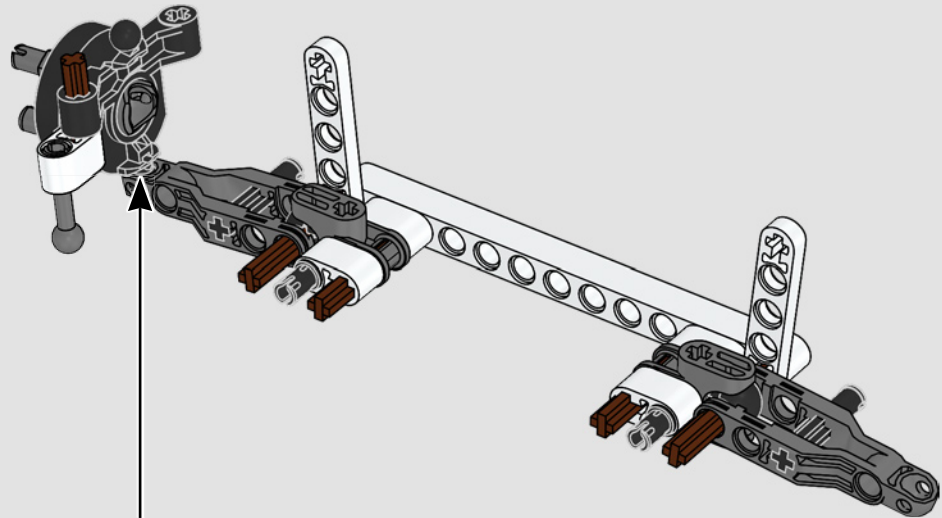


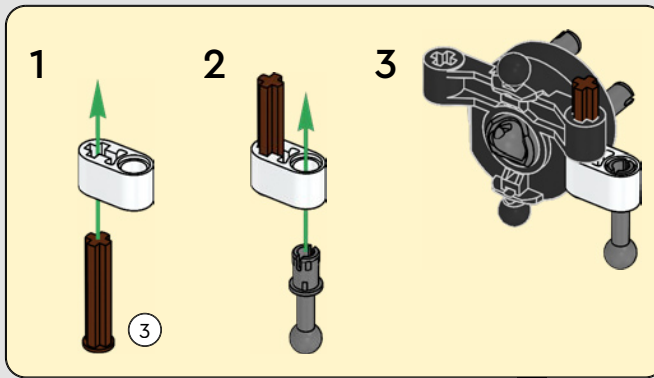
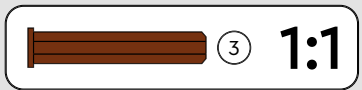
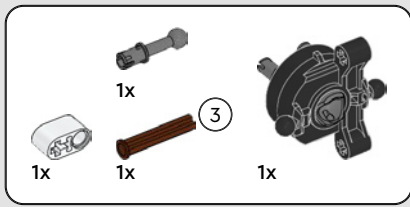
45



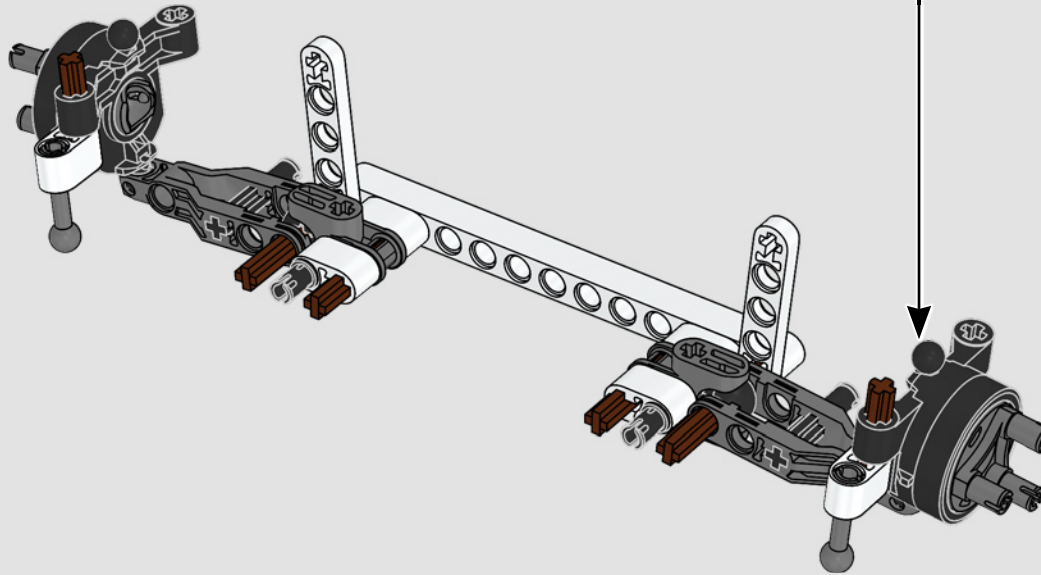


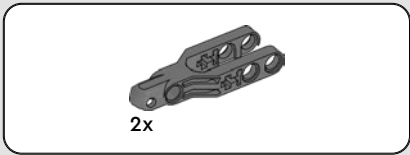
46



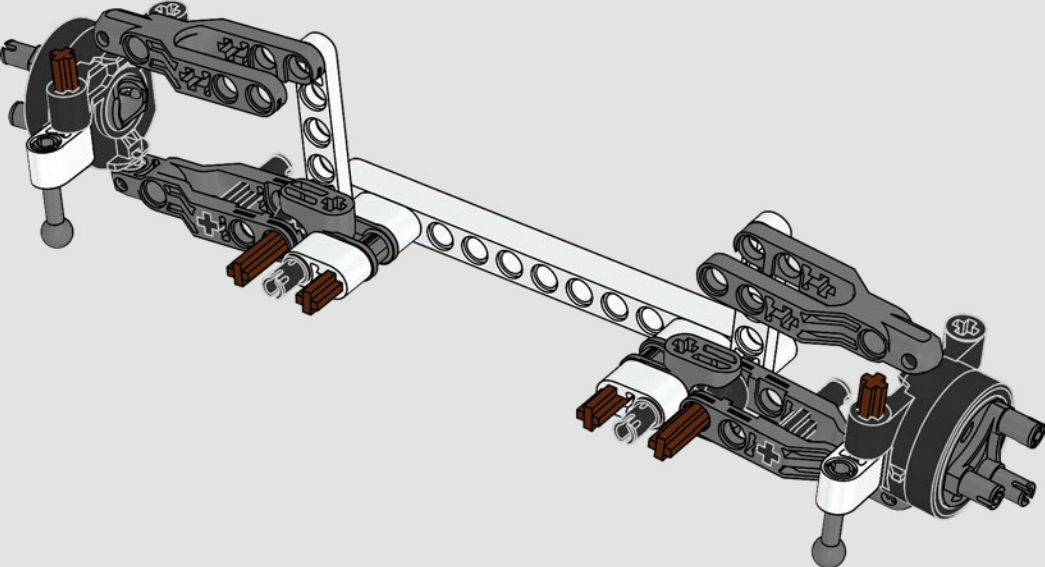


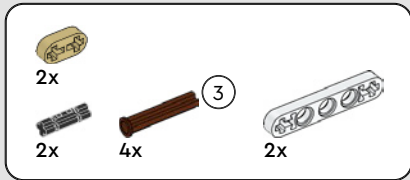
47



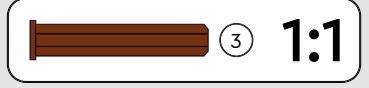
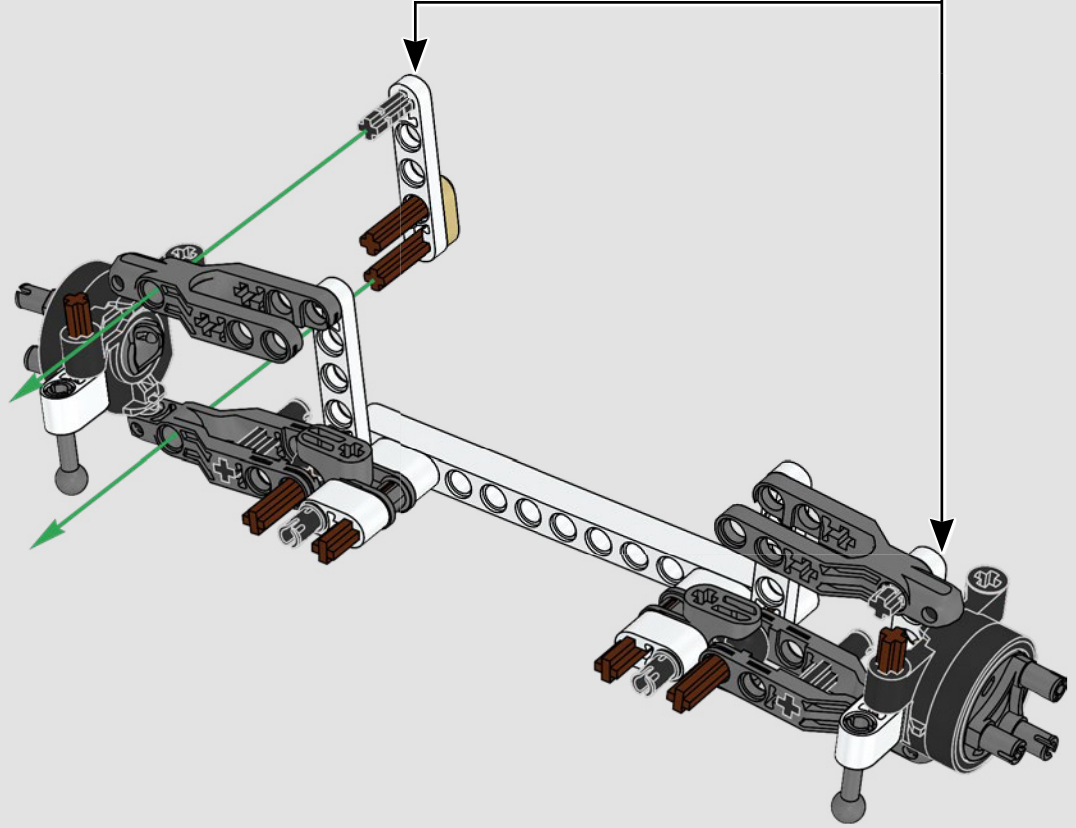
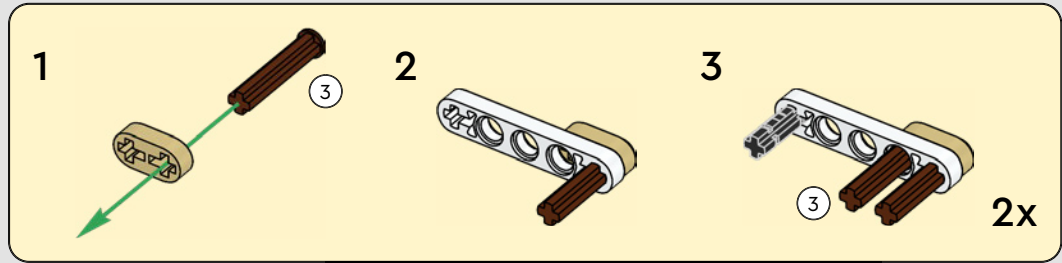


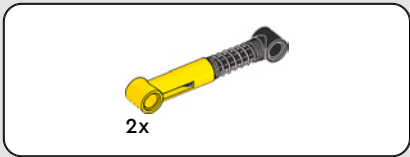
48



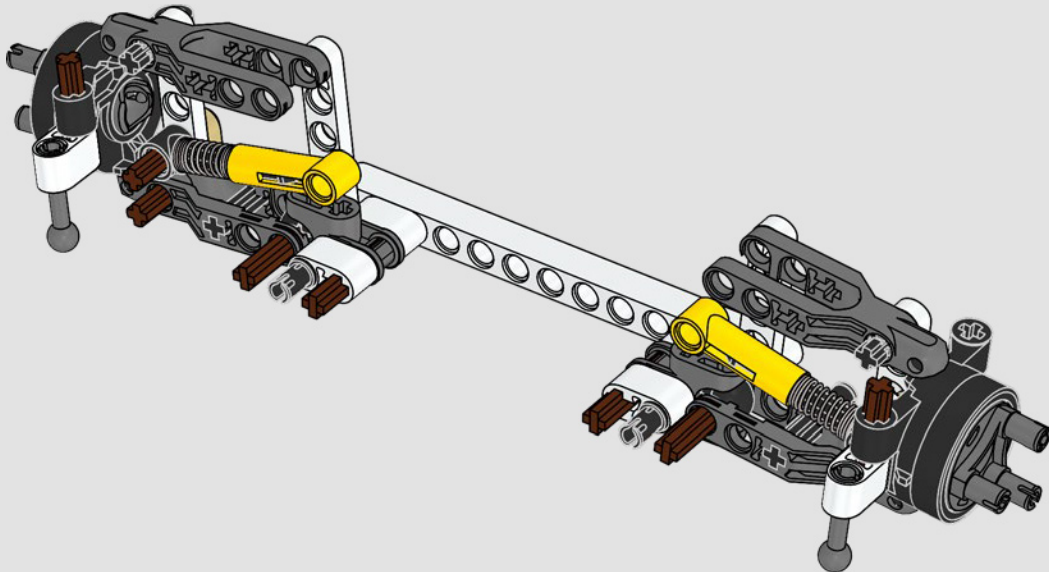


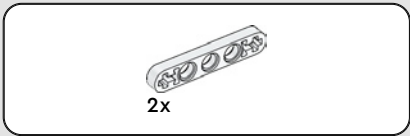
49



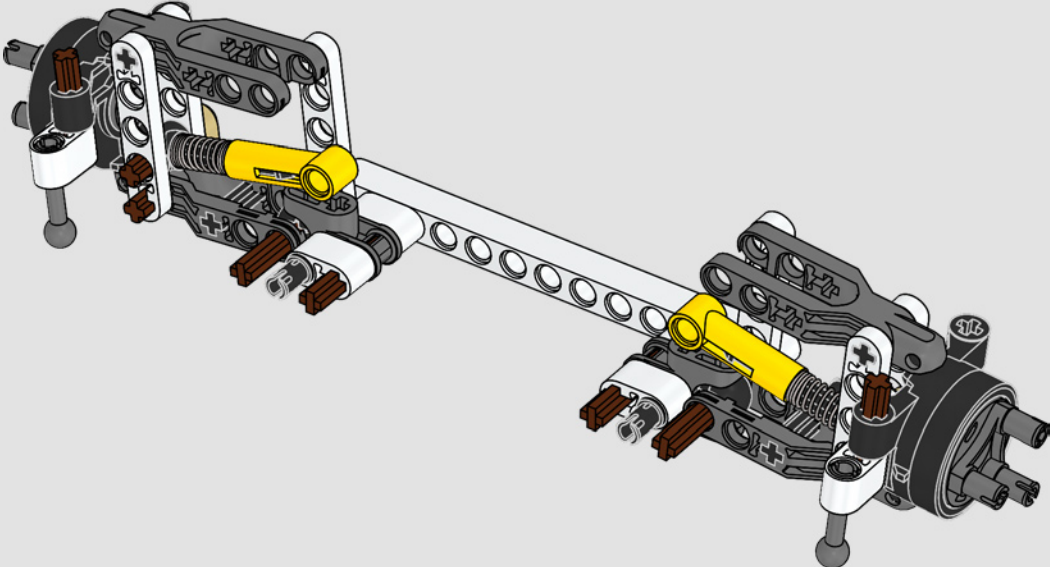


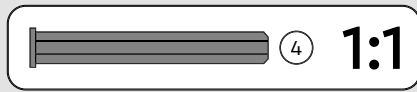
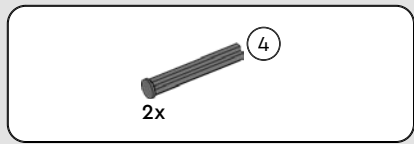
50



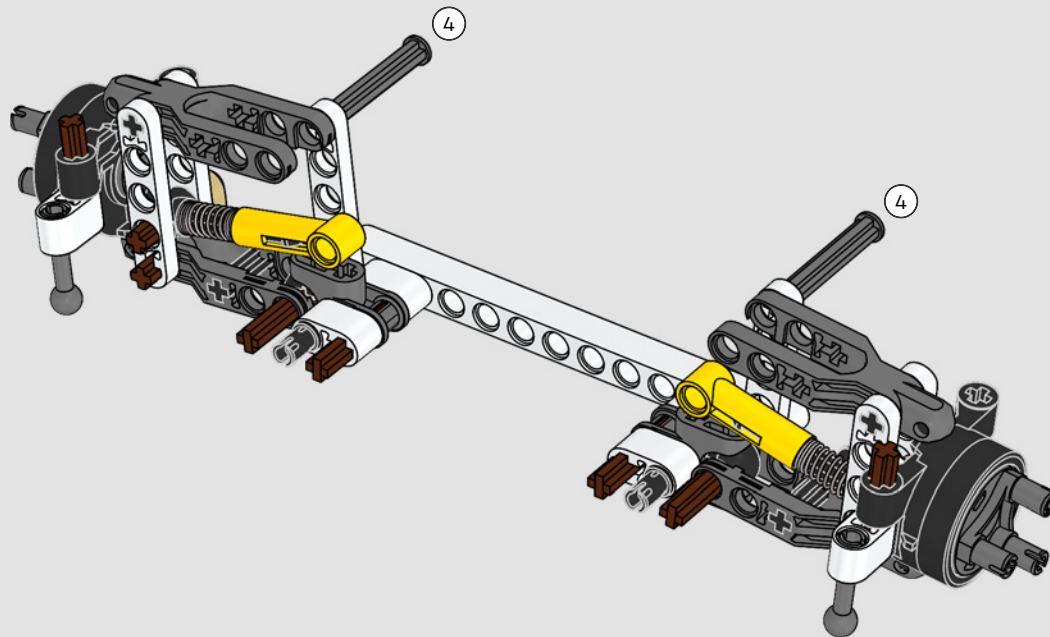


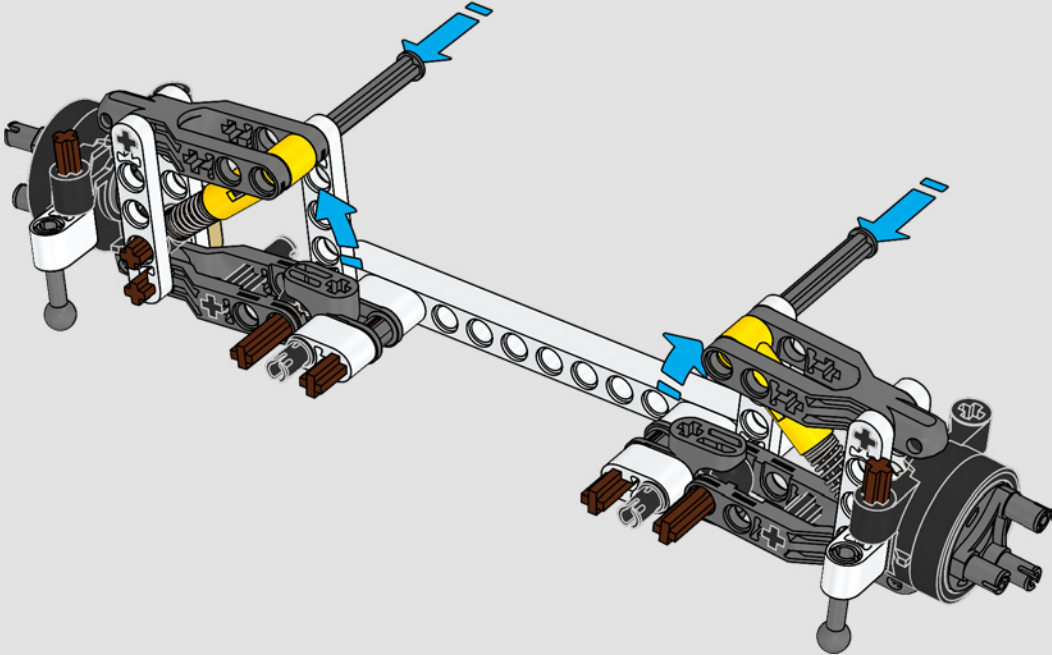
51

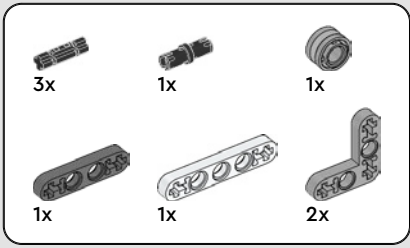




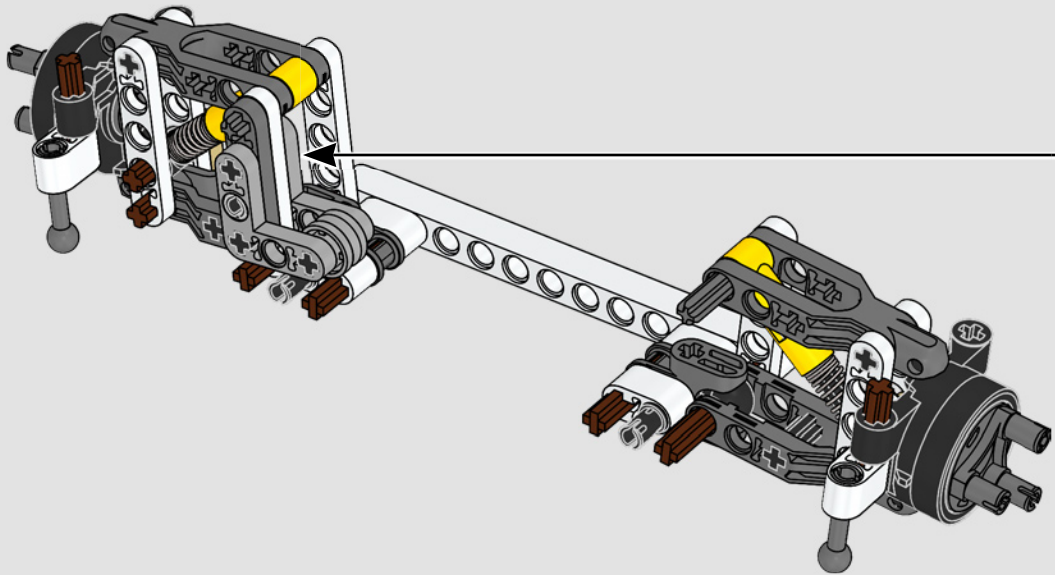
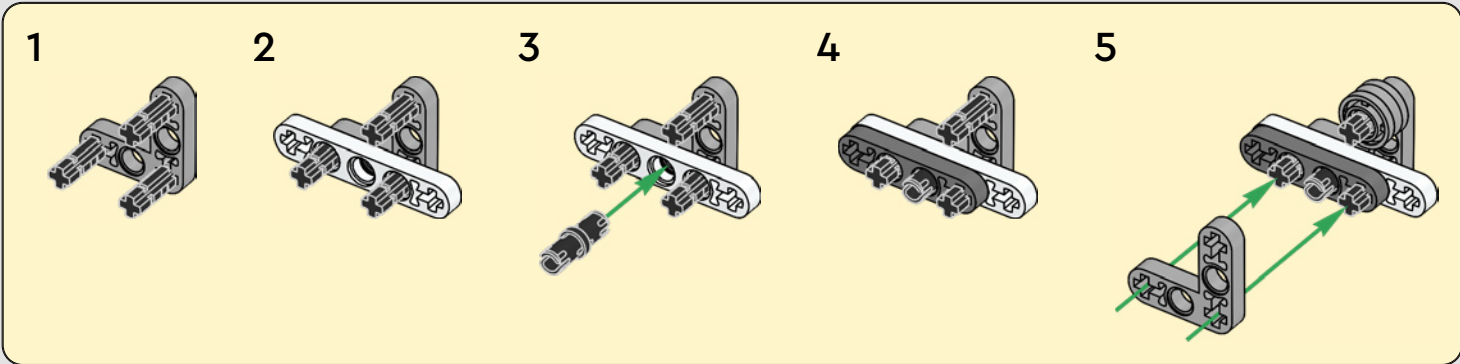
52

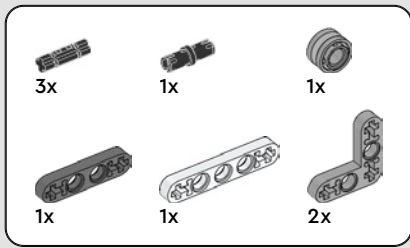




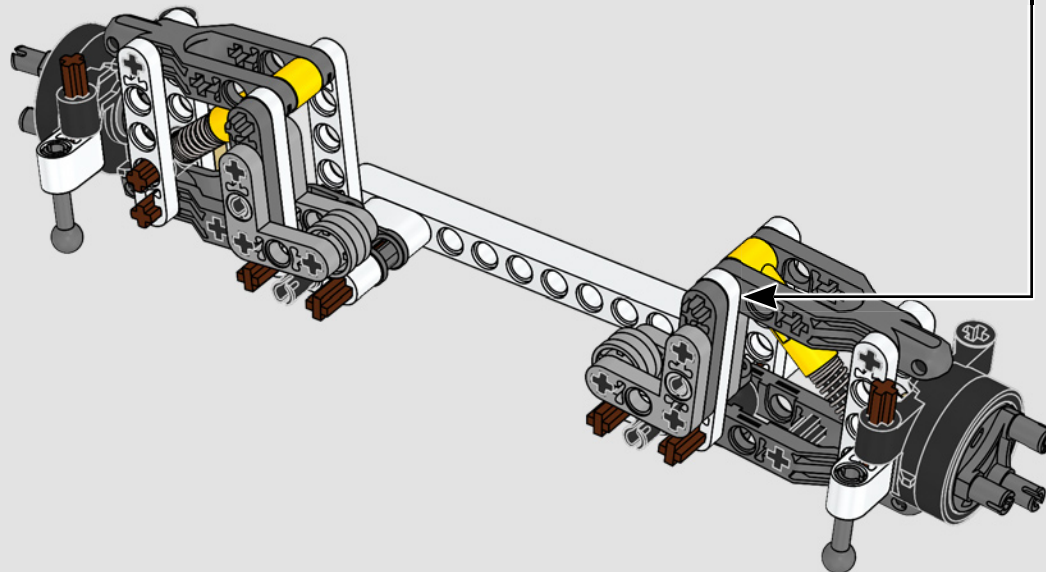
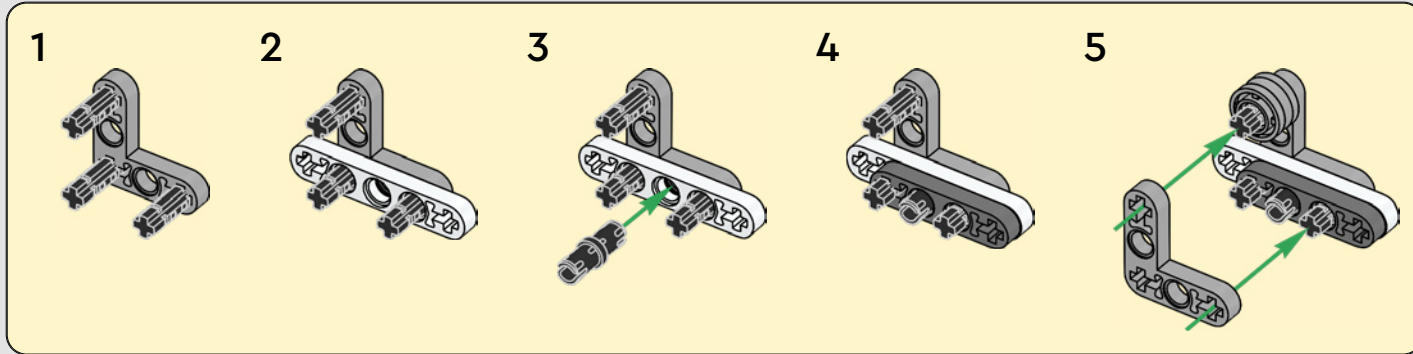


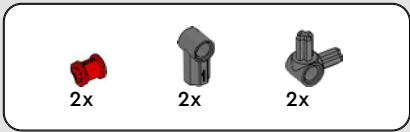
54



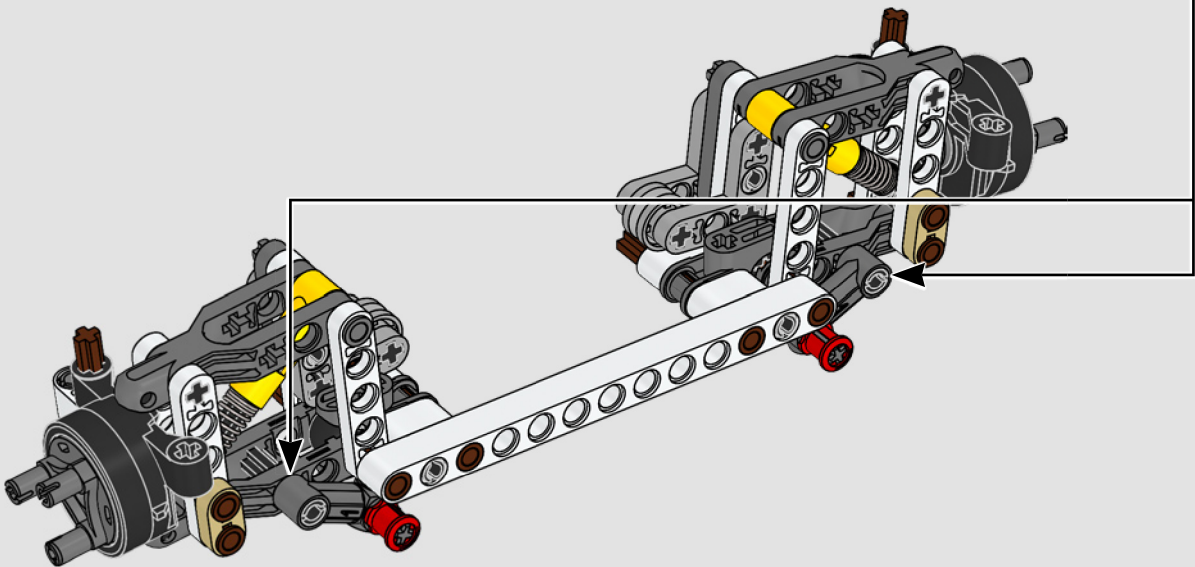
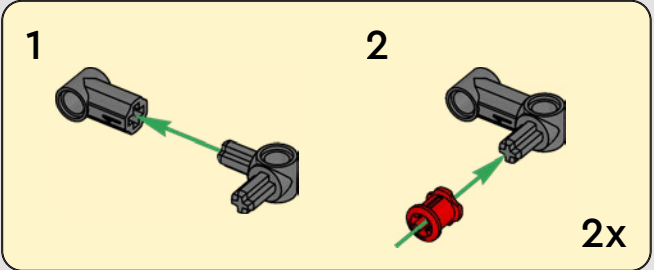


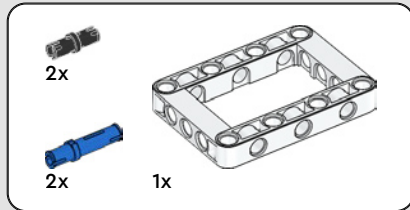
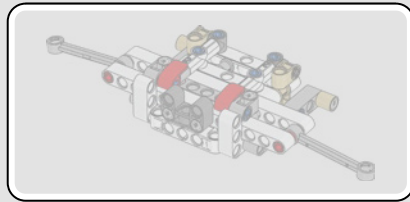
55



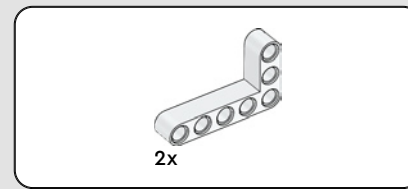
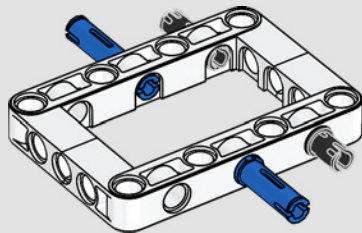


56

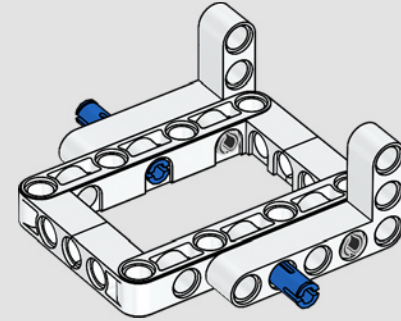




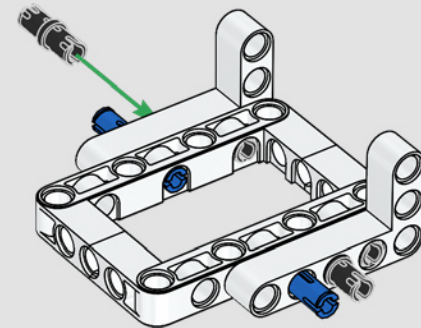
57

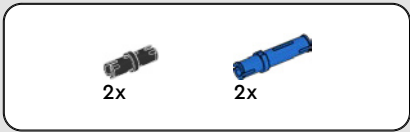


58

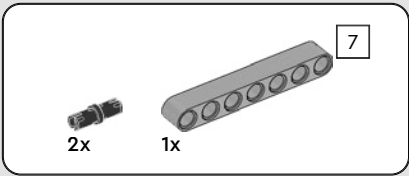
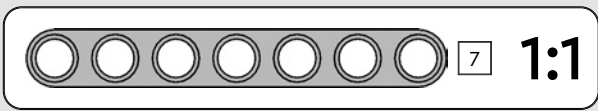
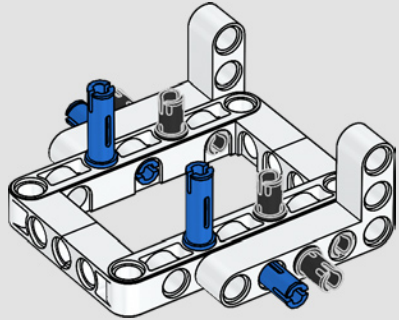


59

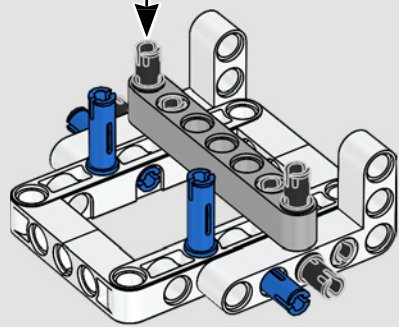
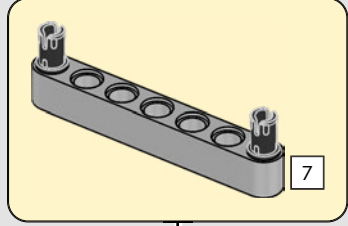


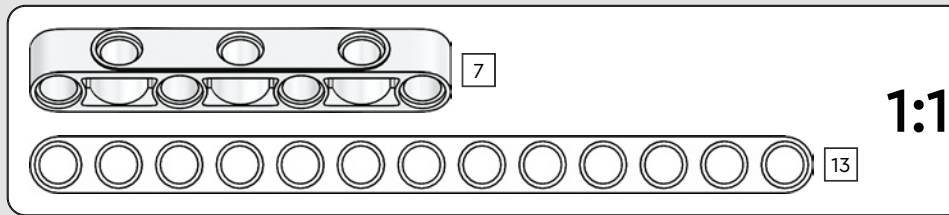
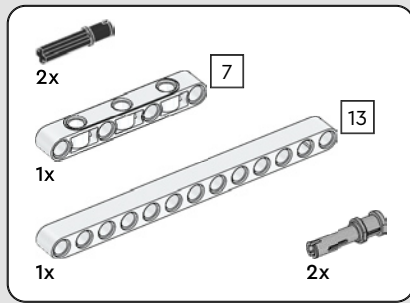


60

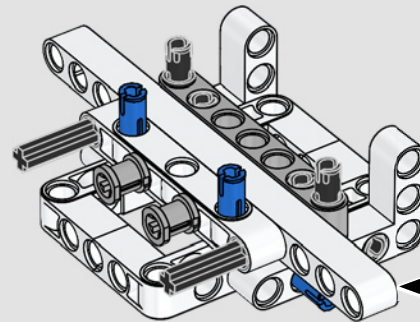
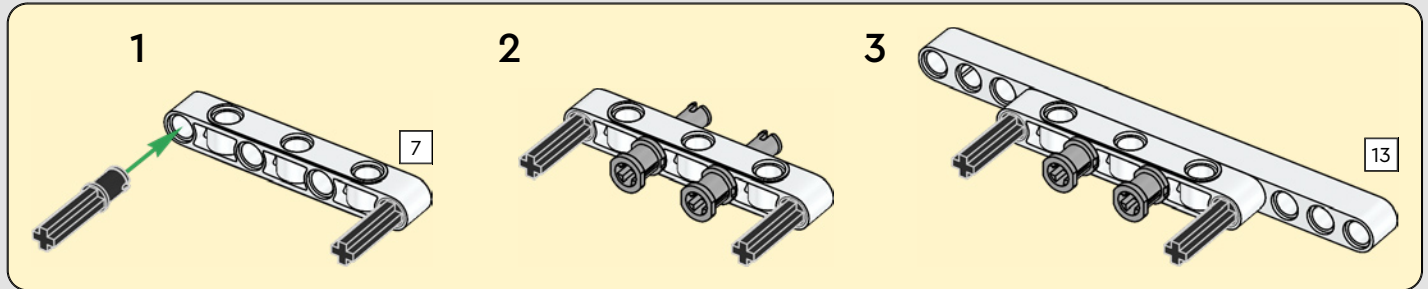


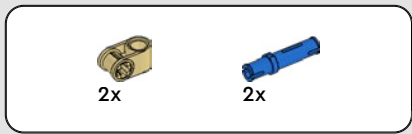
61



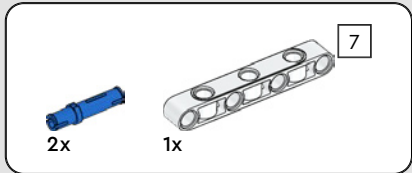
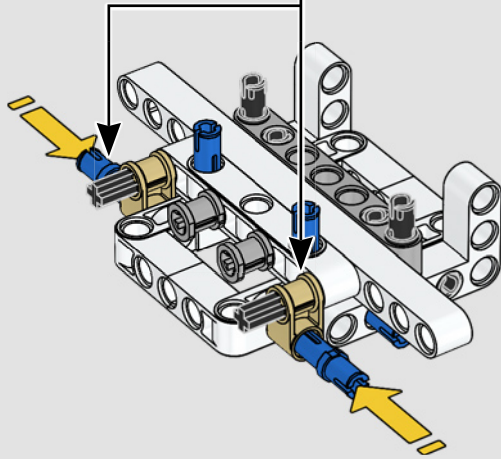
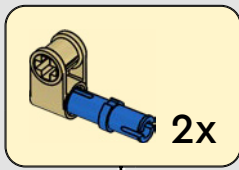


62

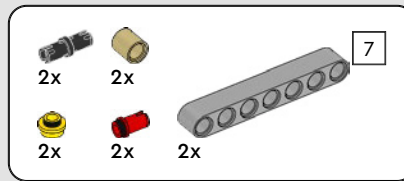
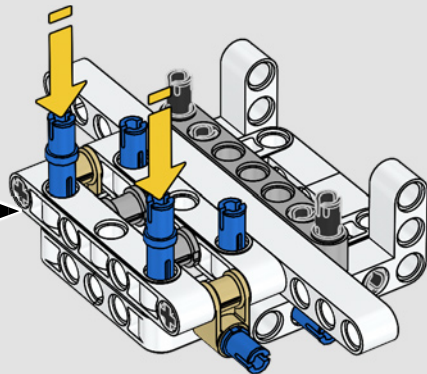
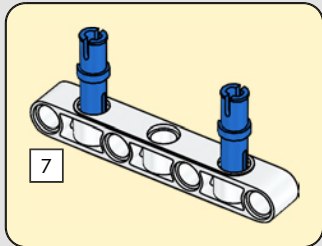




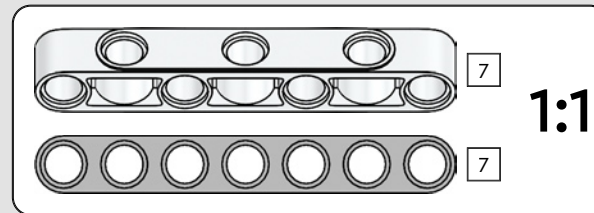
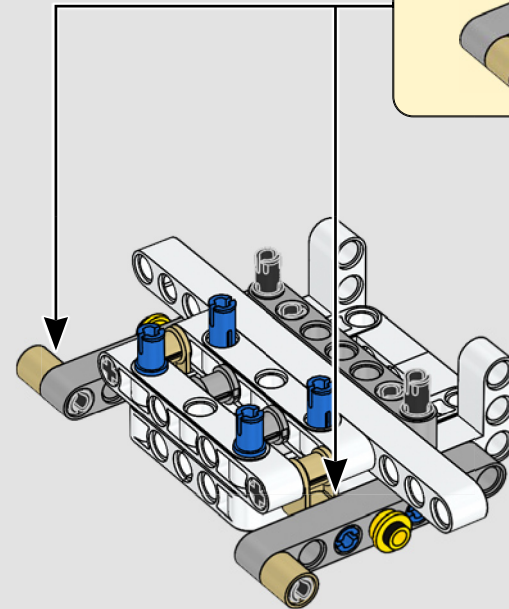
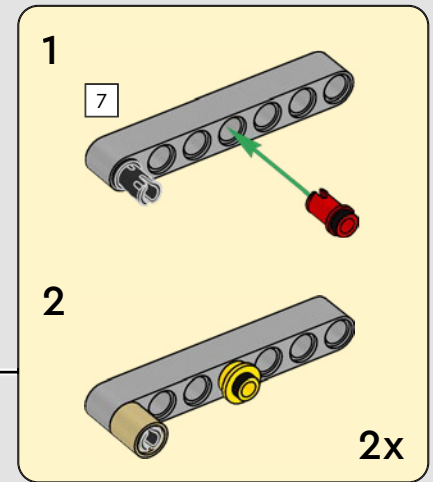
63

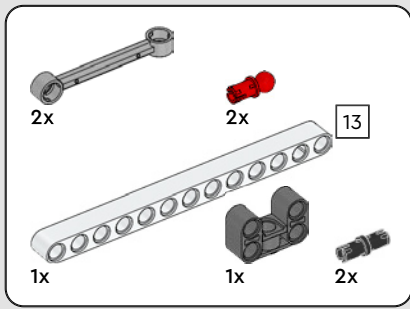


64

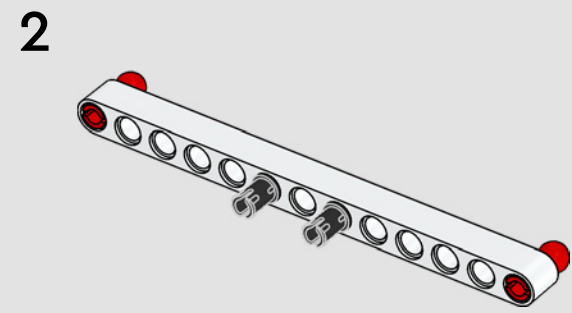
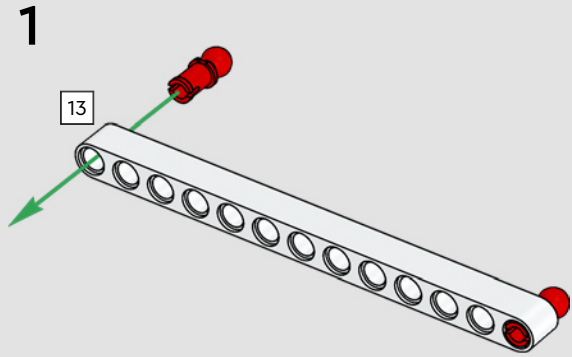


65

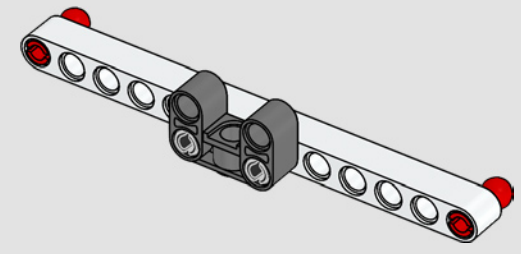




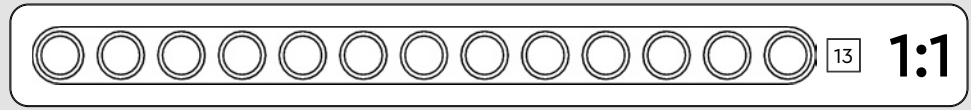
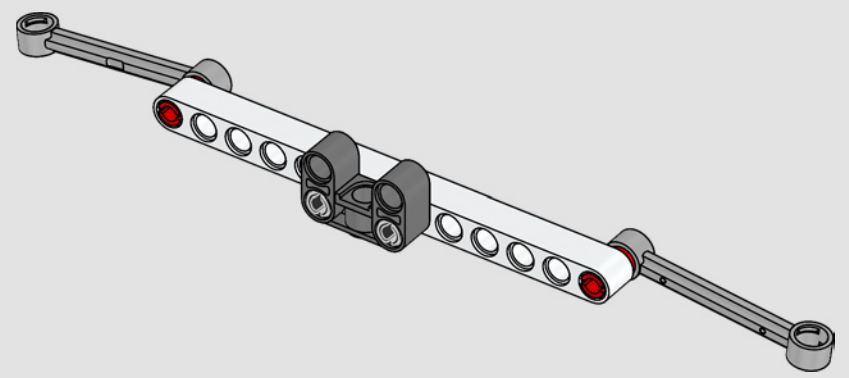
66

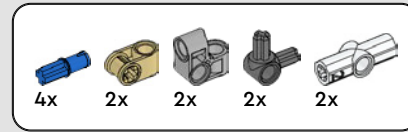
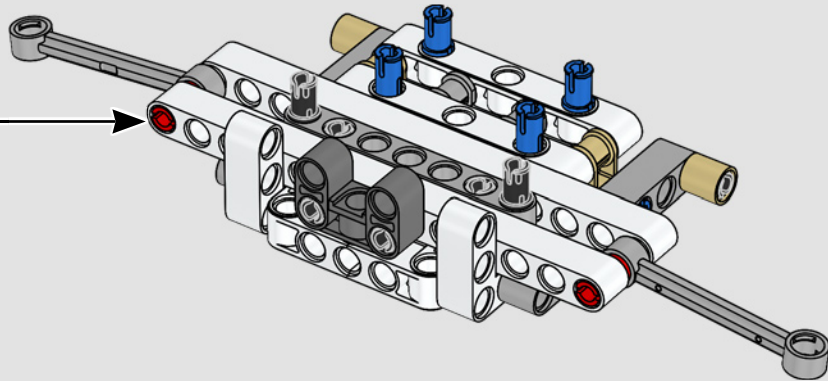


3

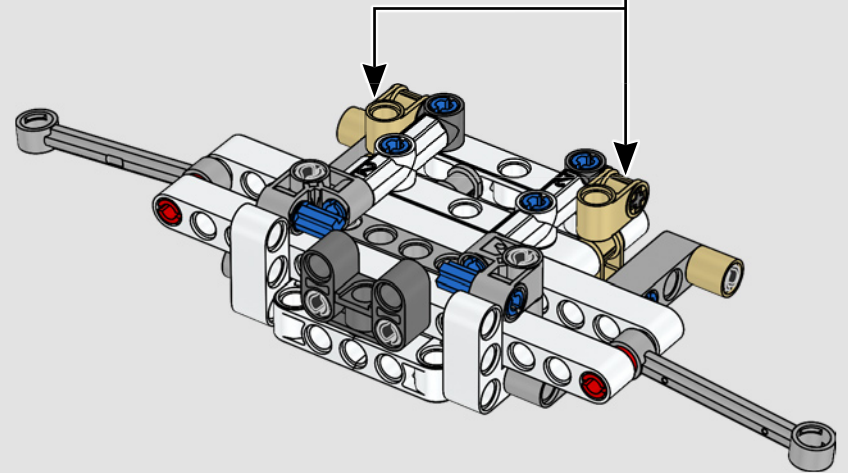
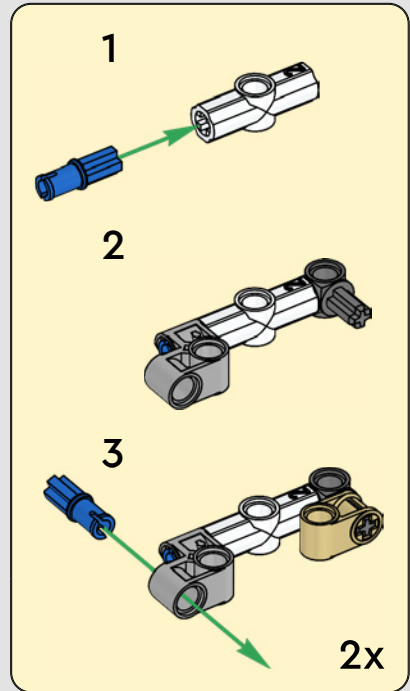


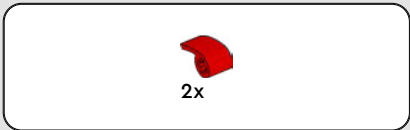
4



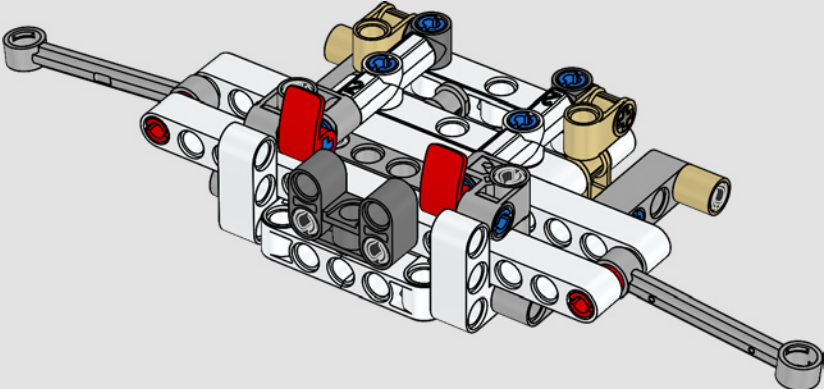


67

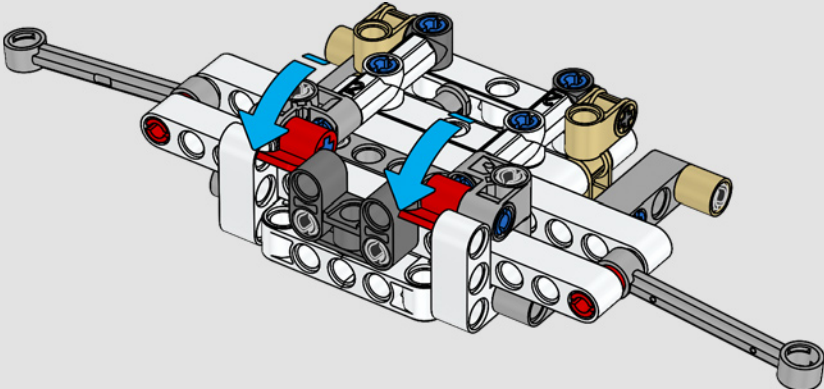


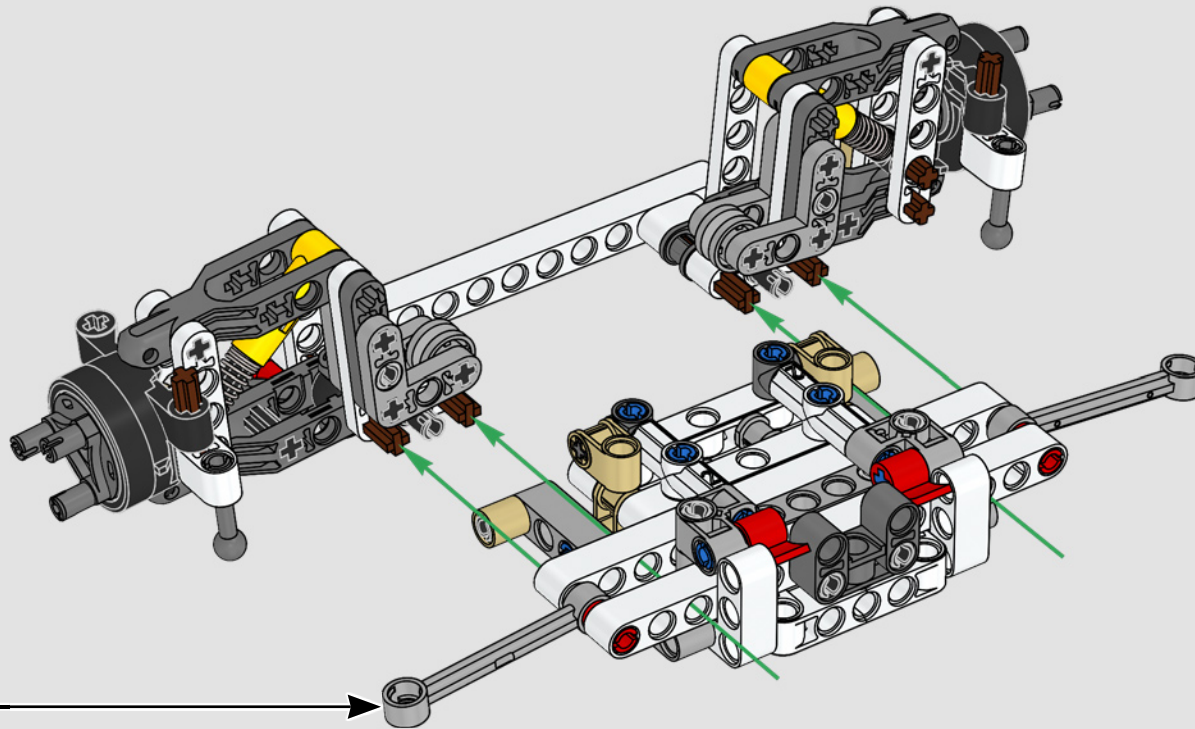


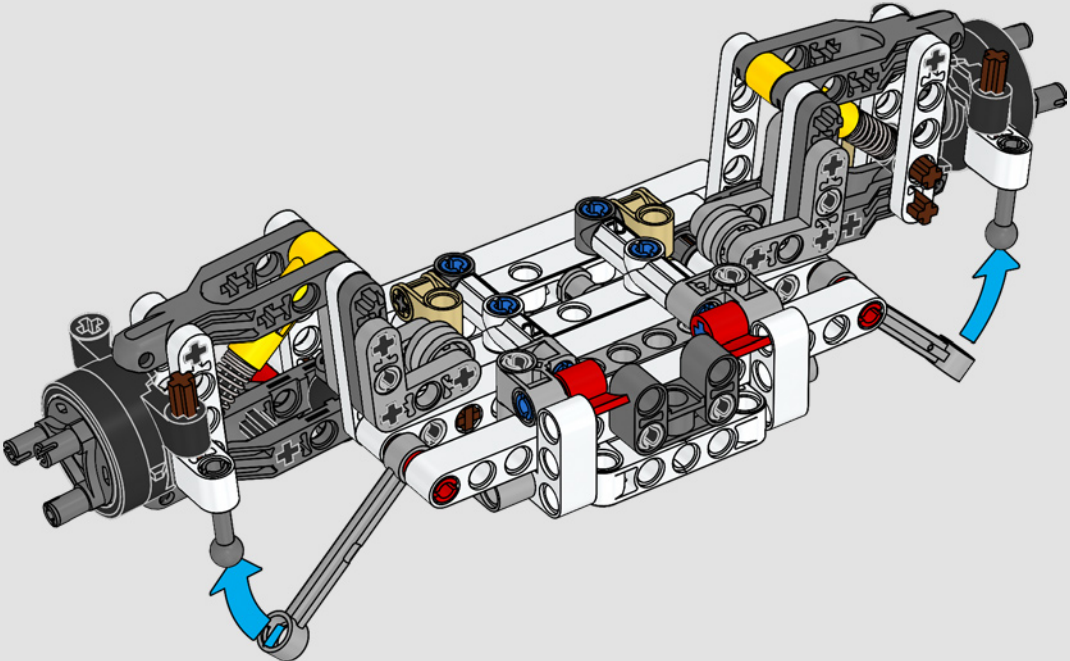
68

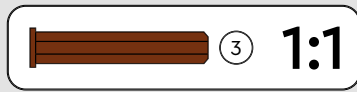
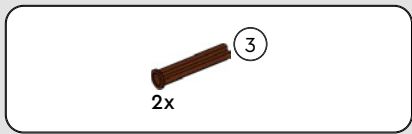


69

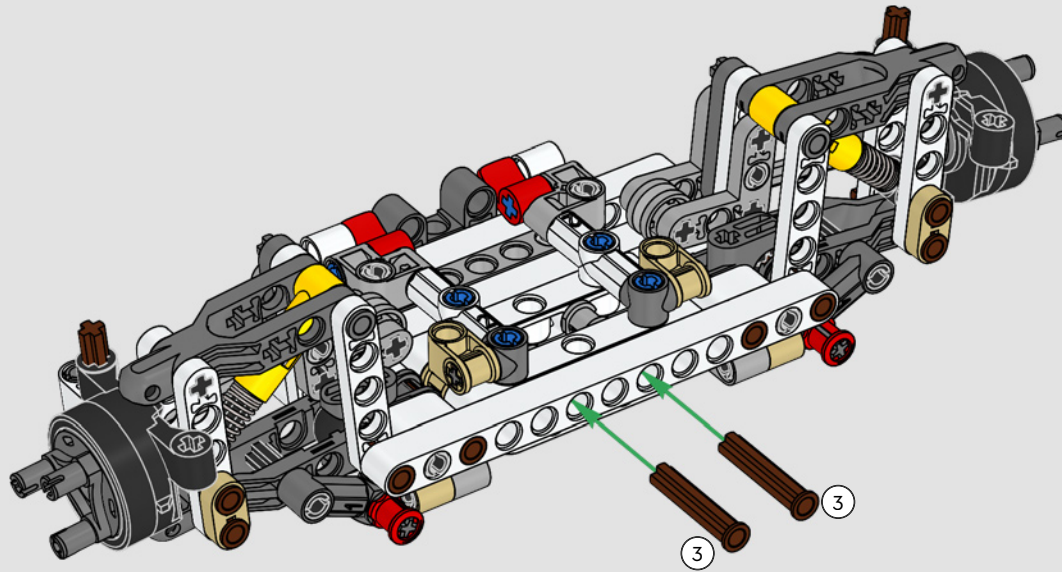






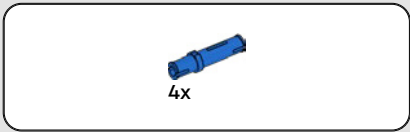


72

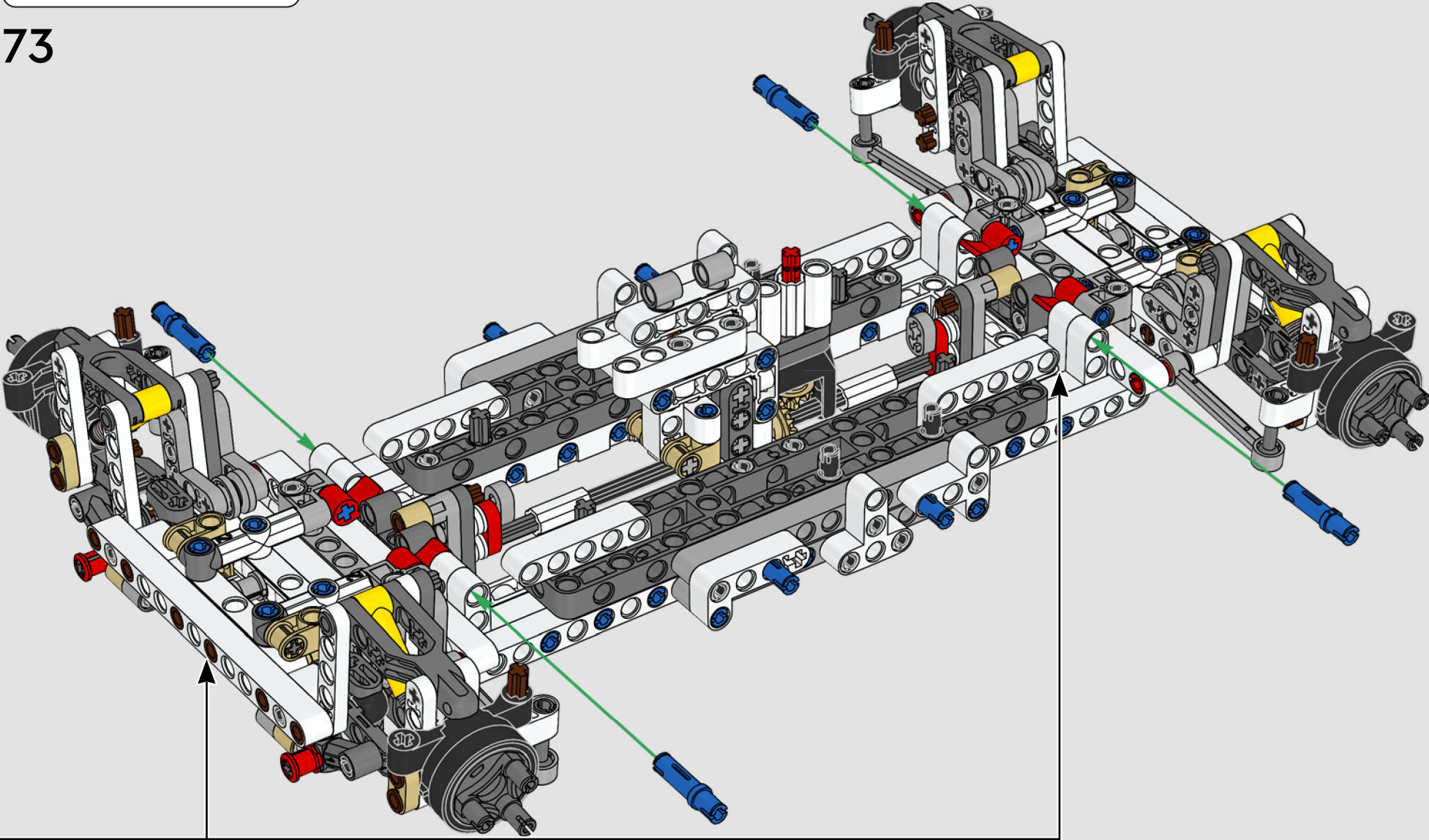


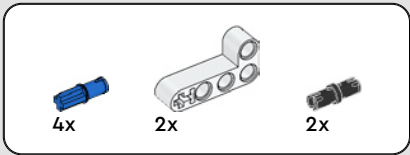
2x



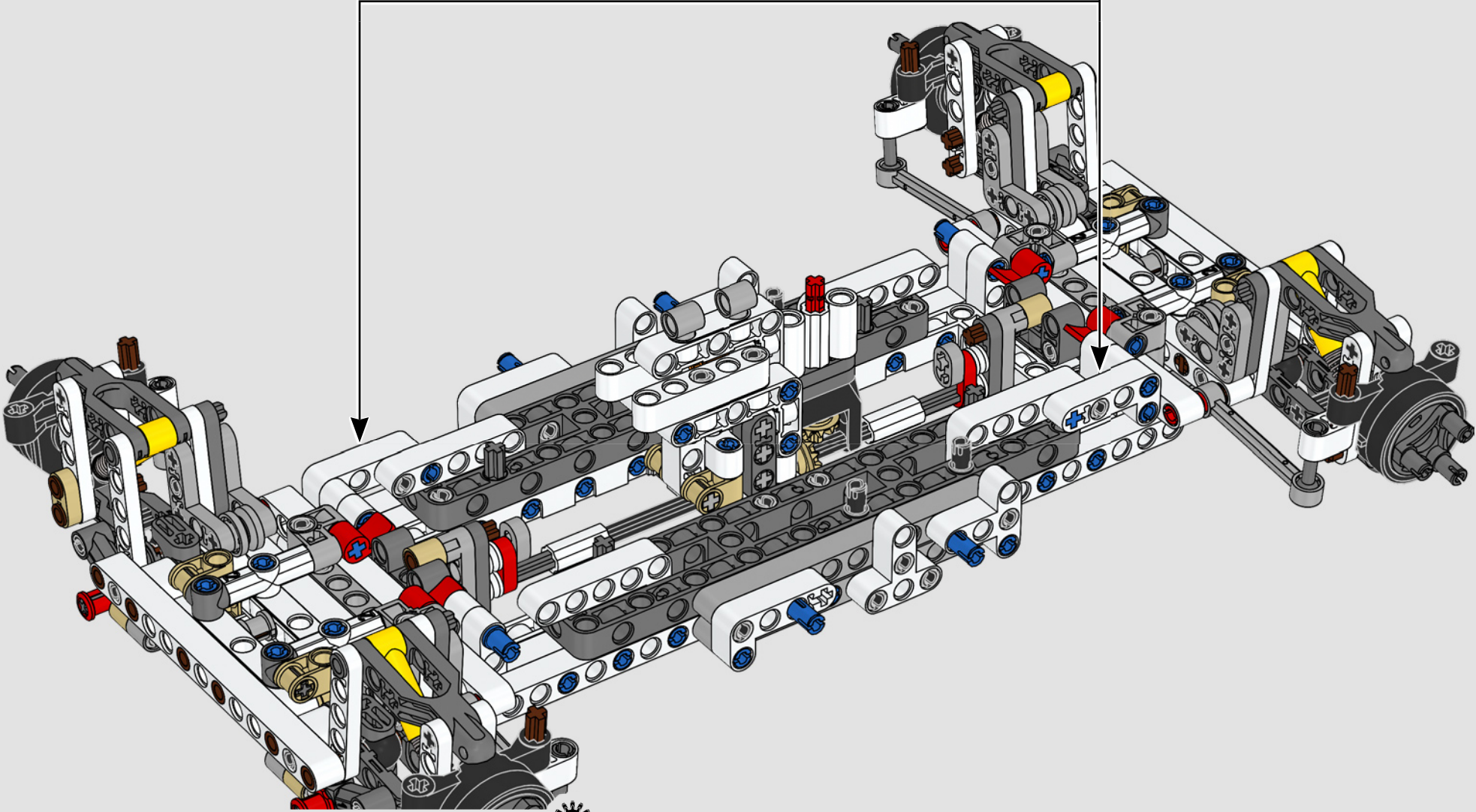
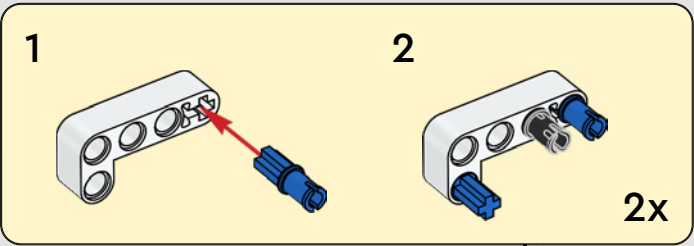


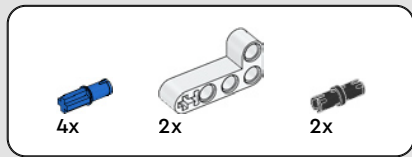
73



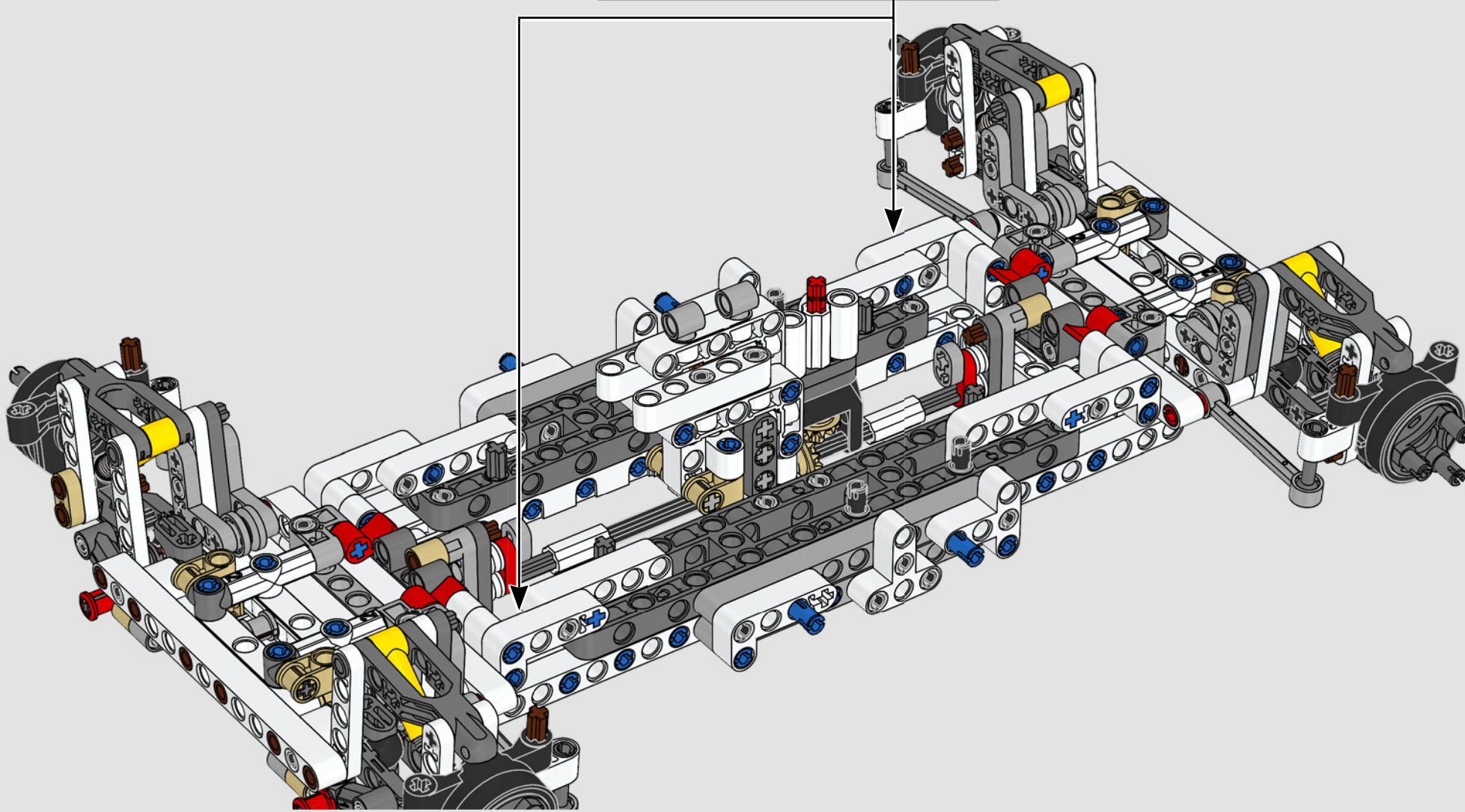
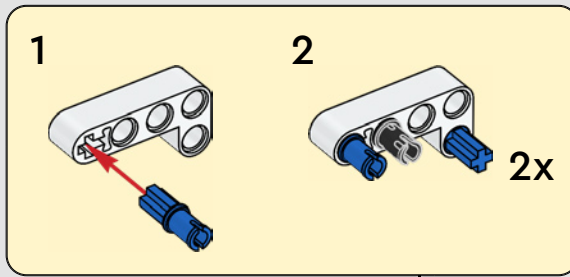


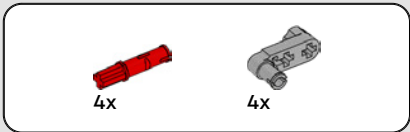
74



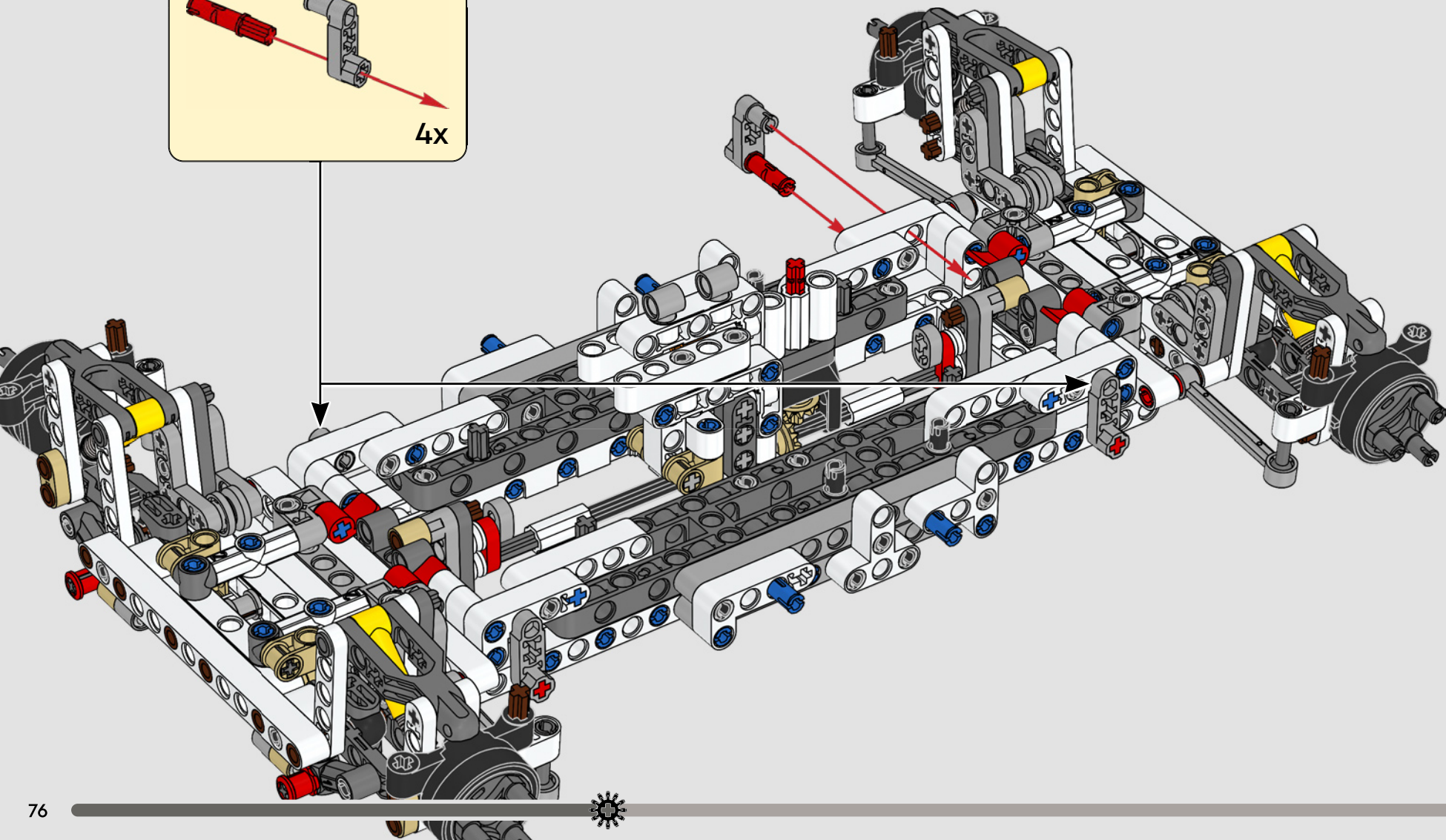
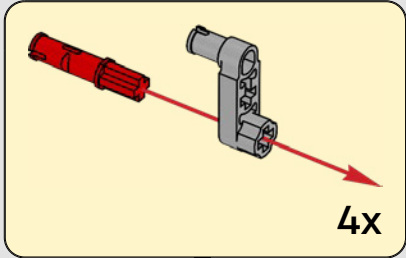


75

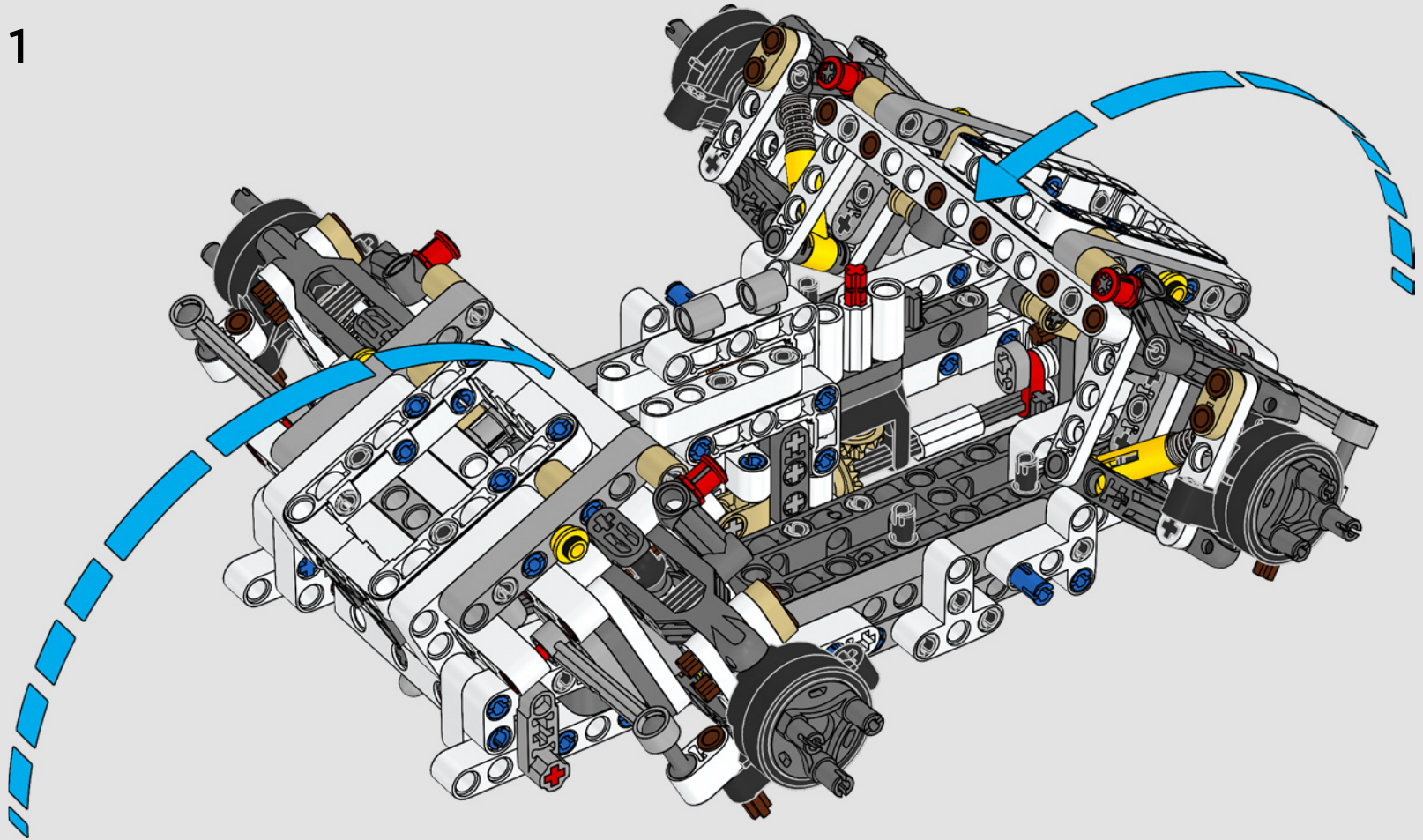




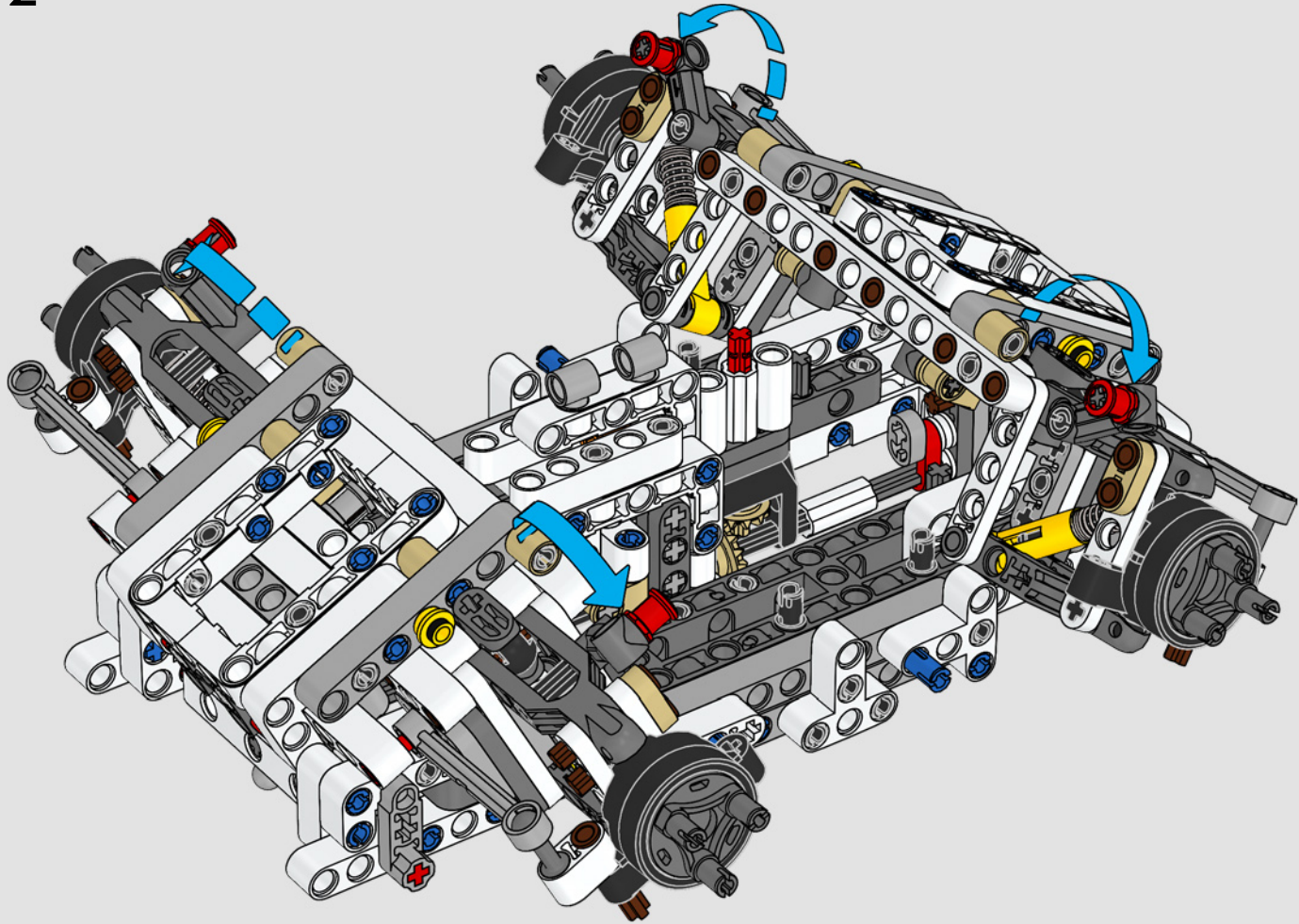
76



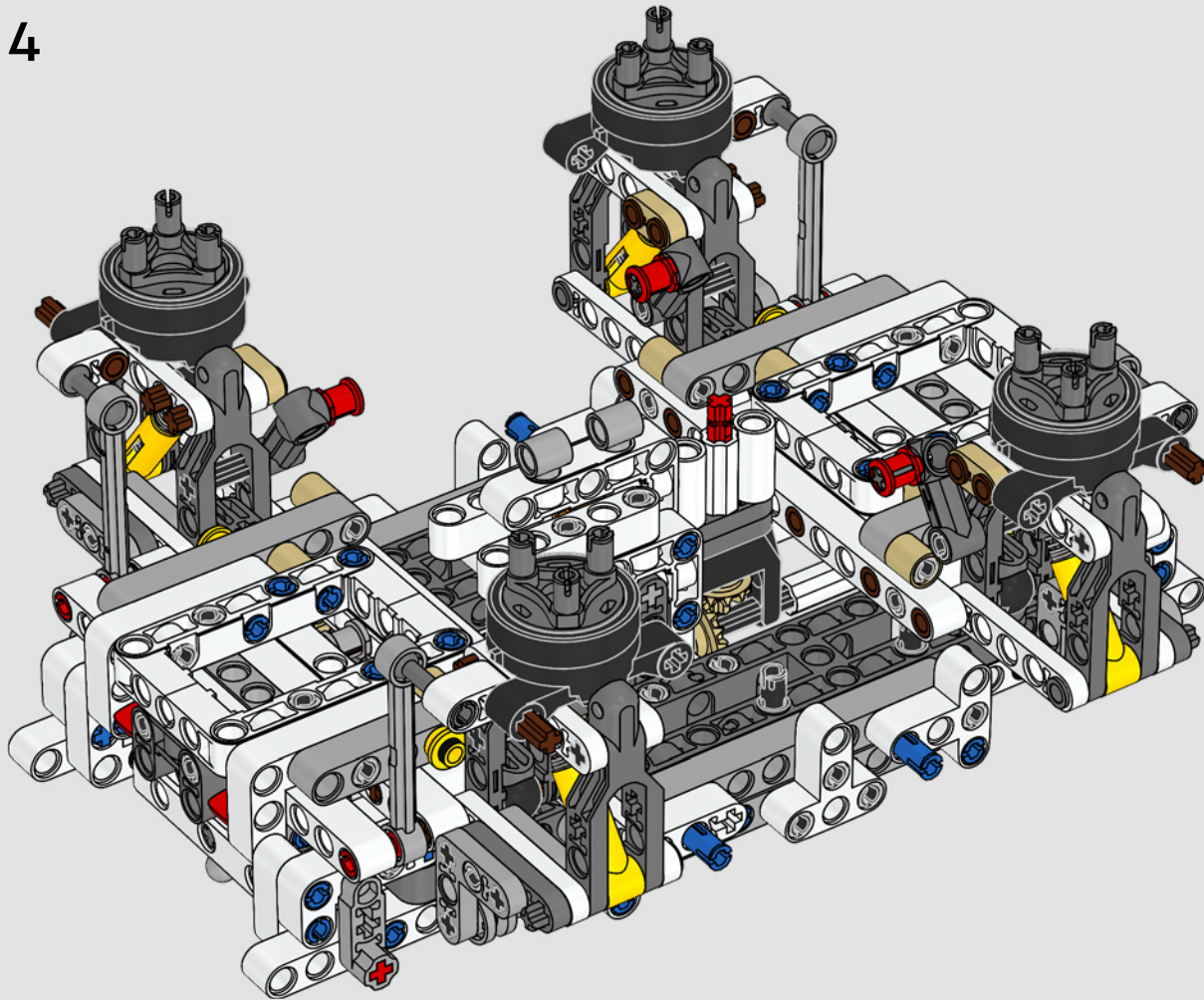
1



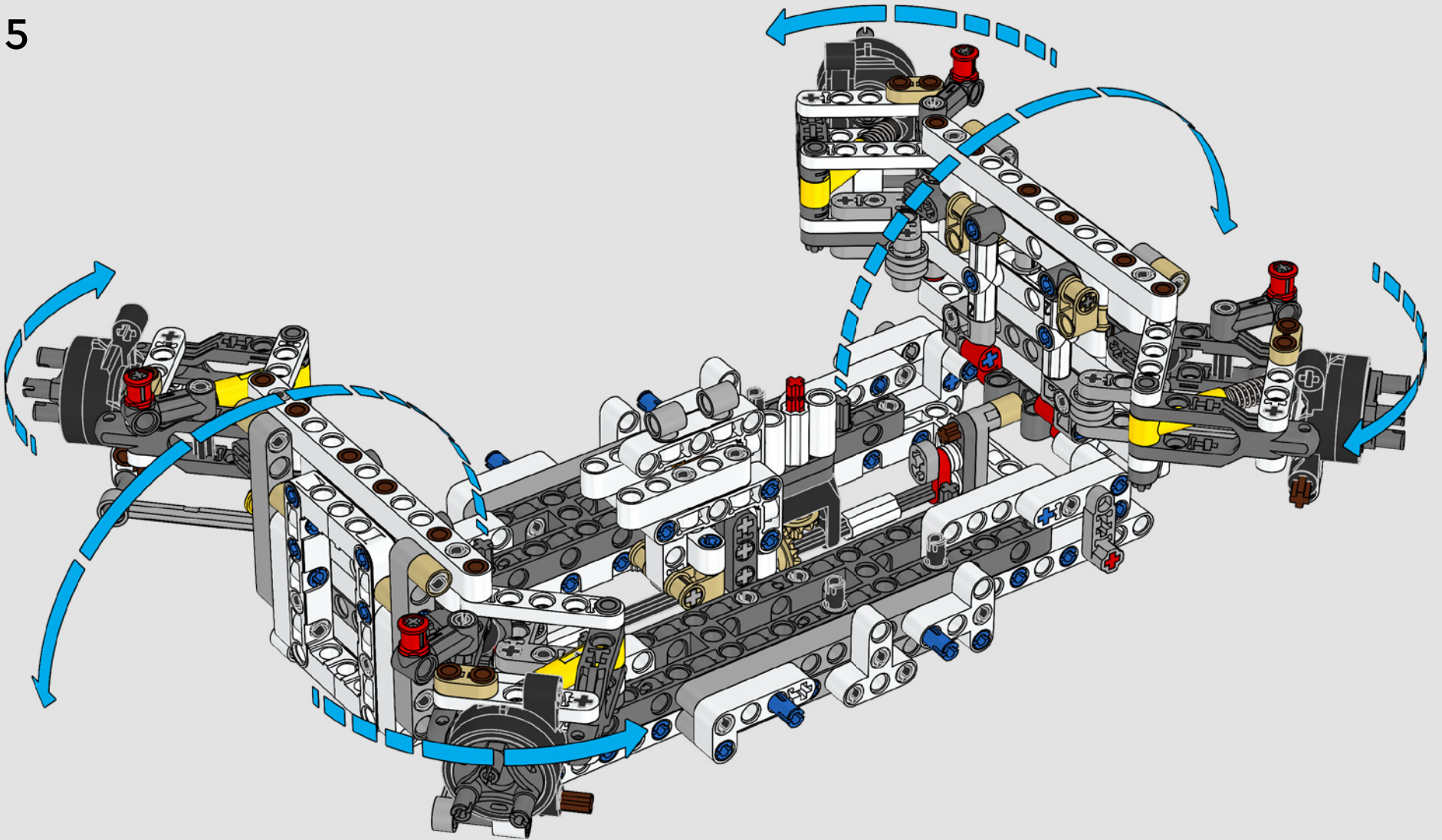
2



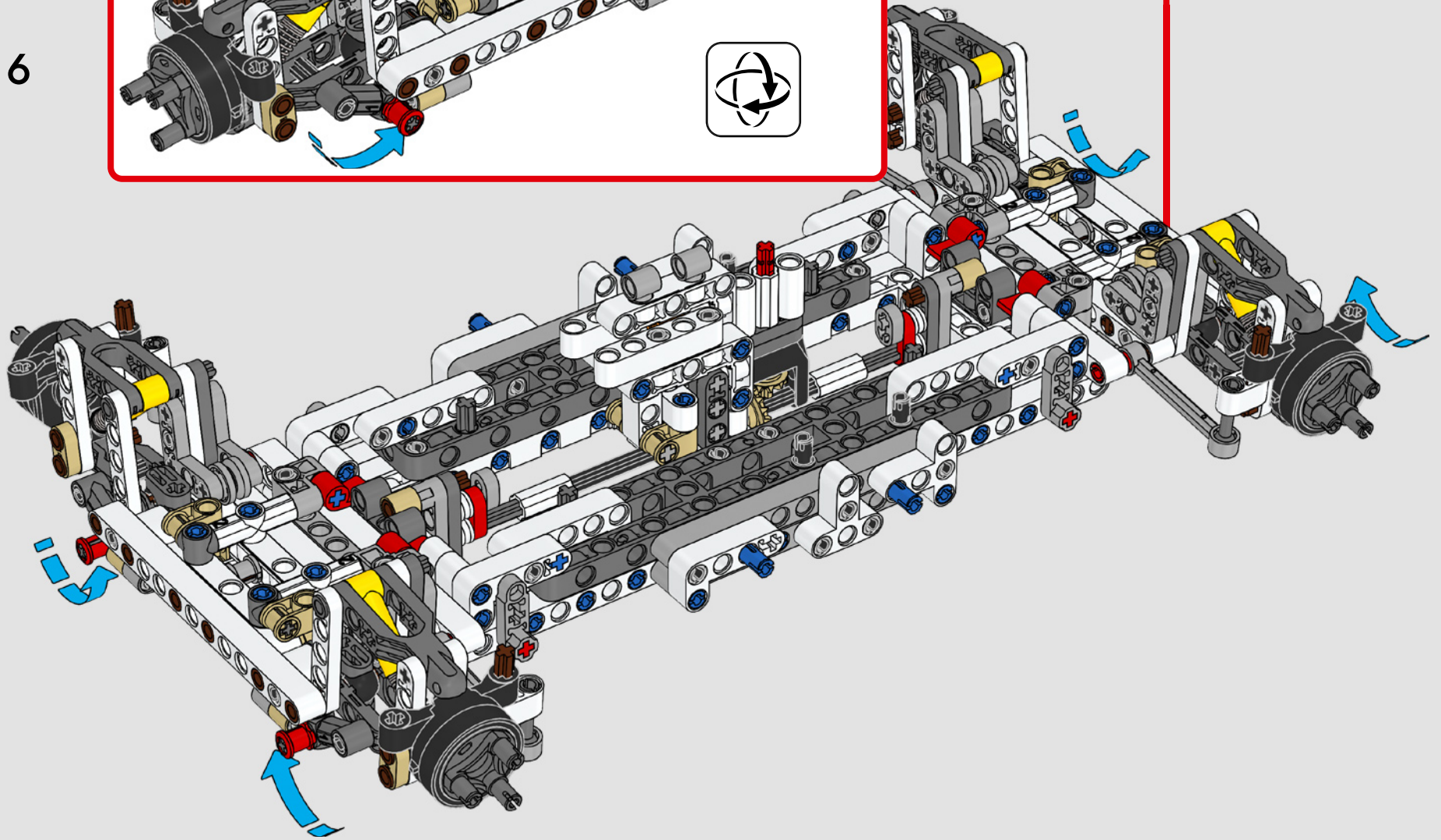
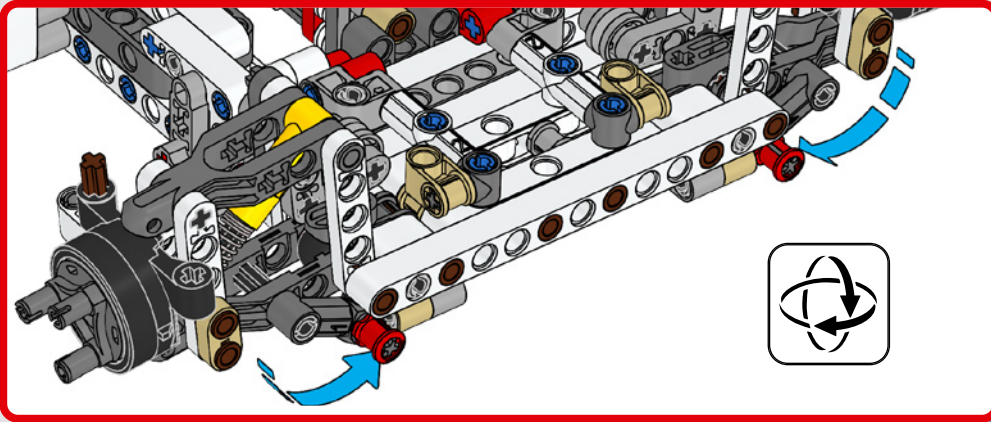
4

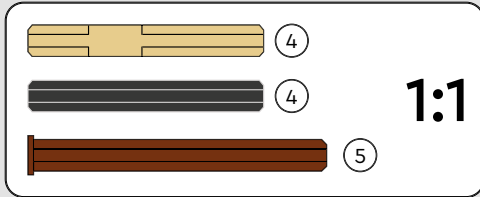
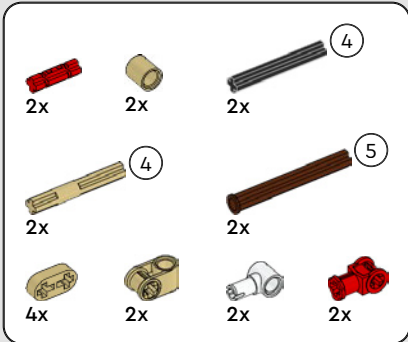


5

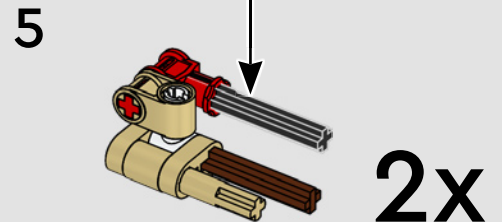
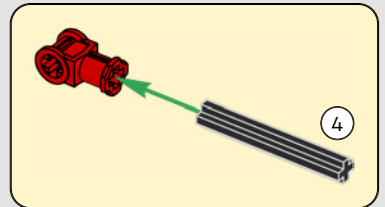
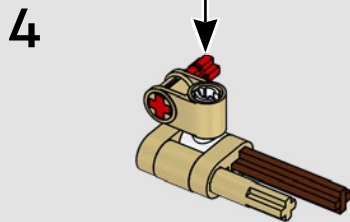
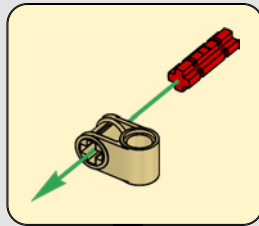
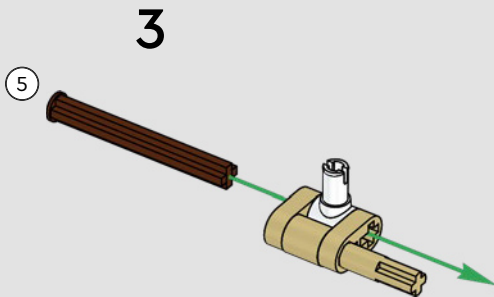
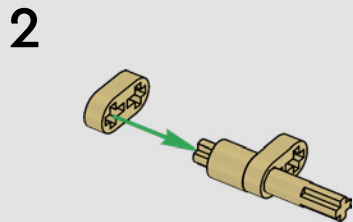
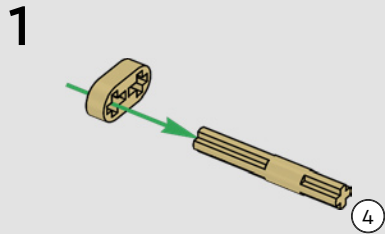


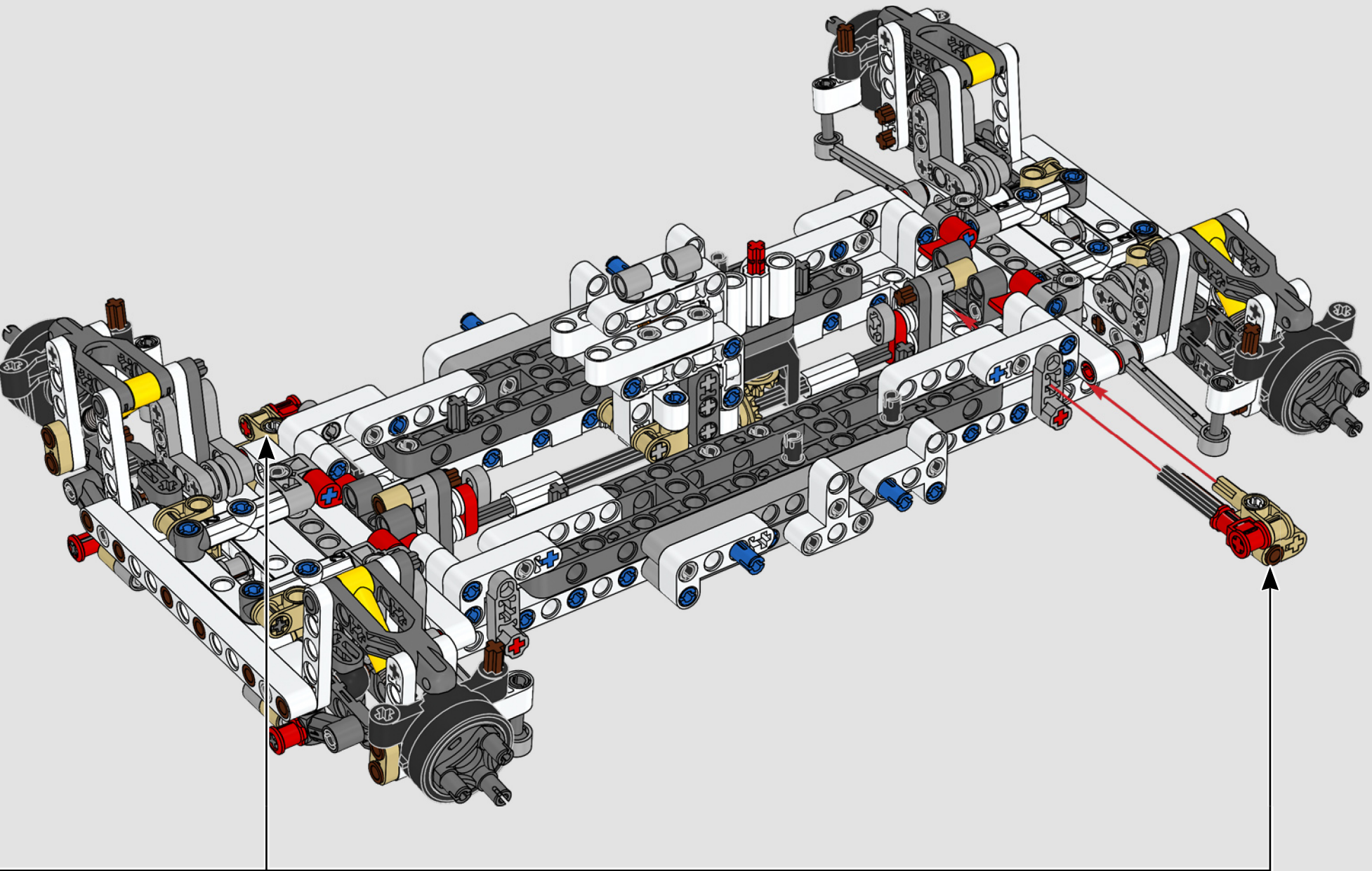
6

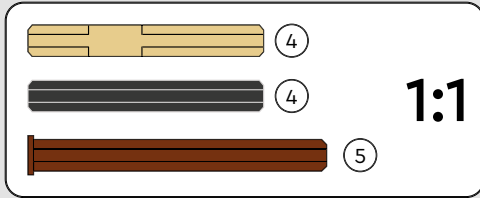
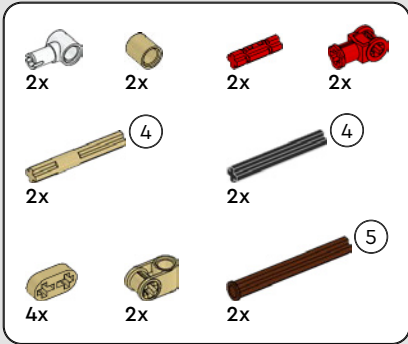




77

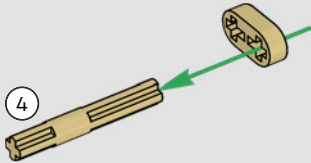




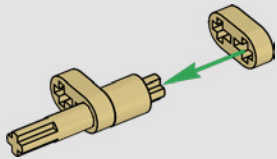


78

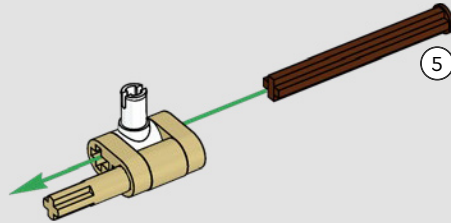
1



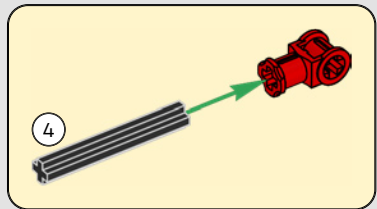
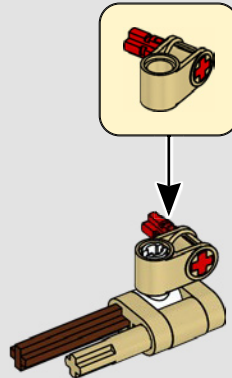
2



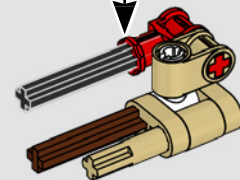
3



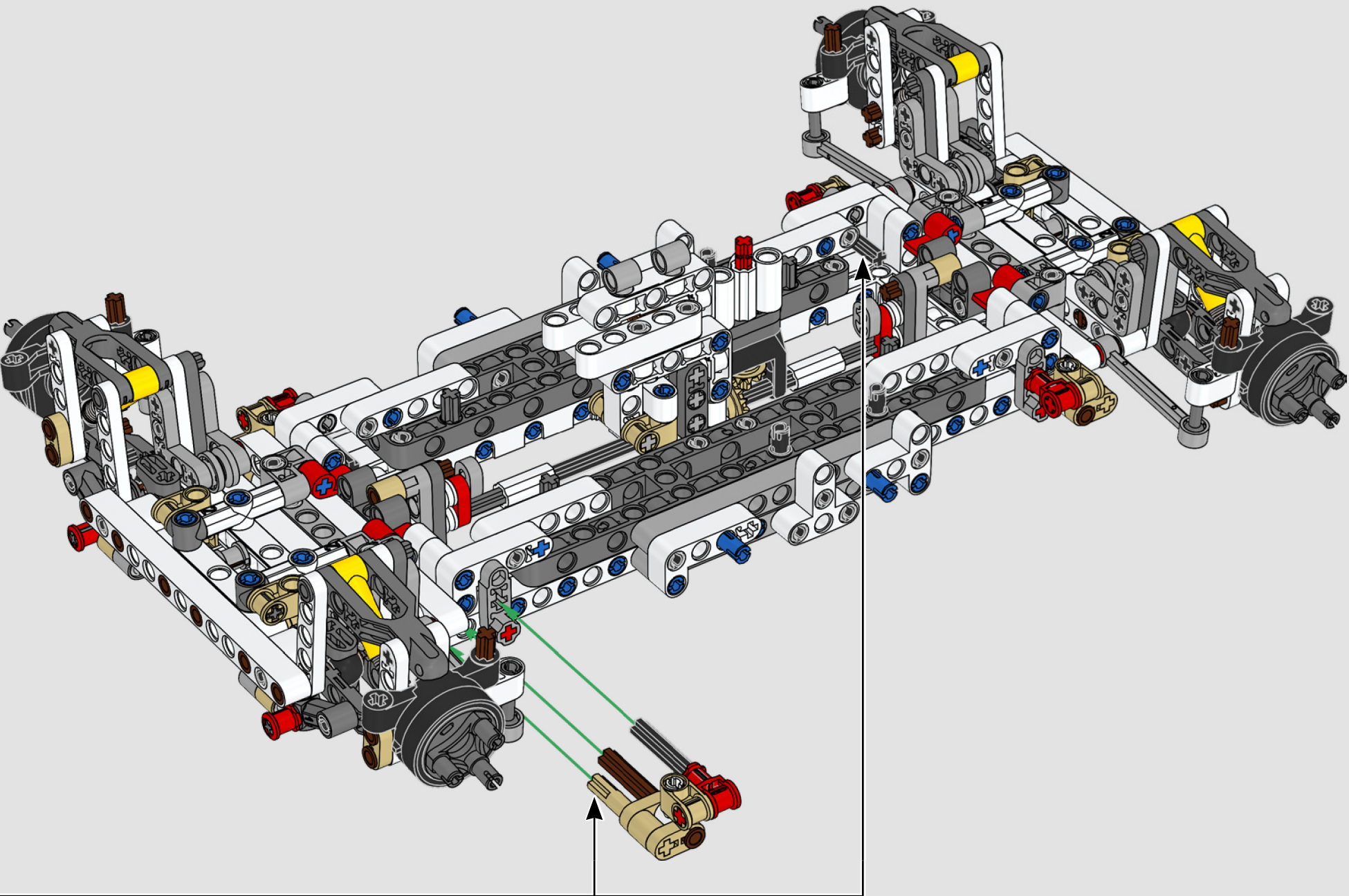
4

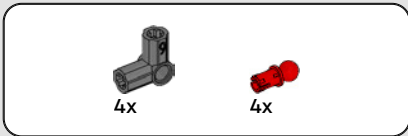


5

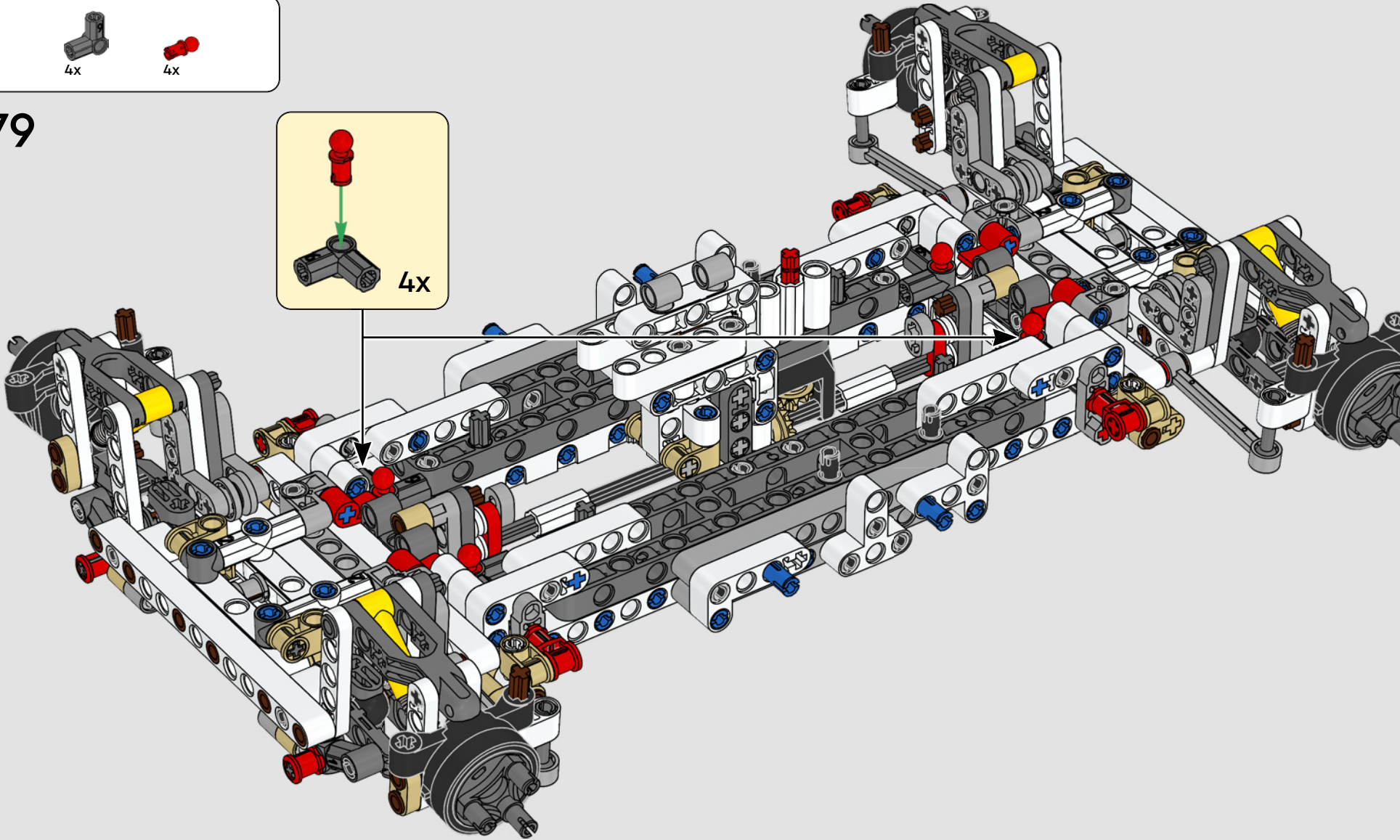
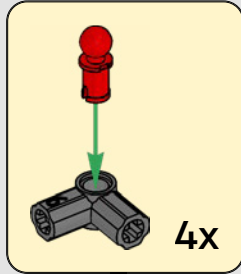


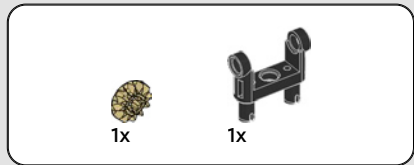
2x



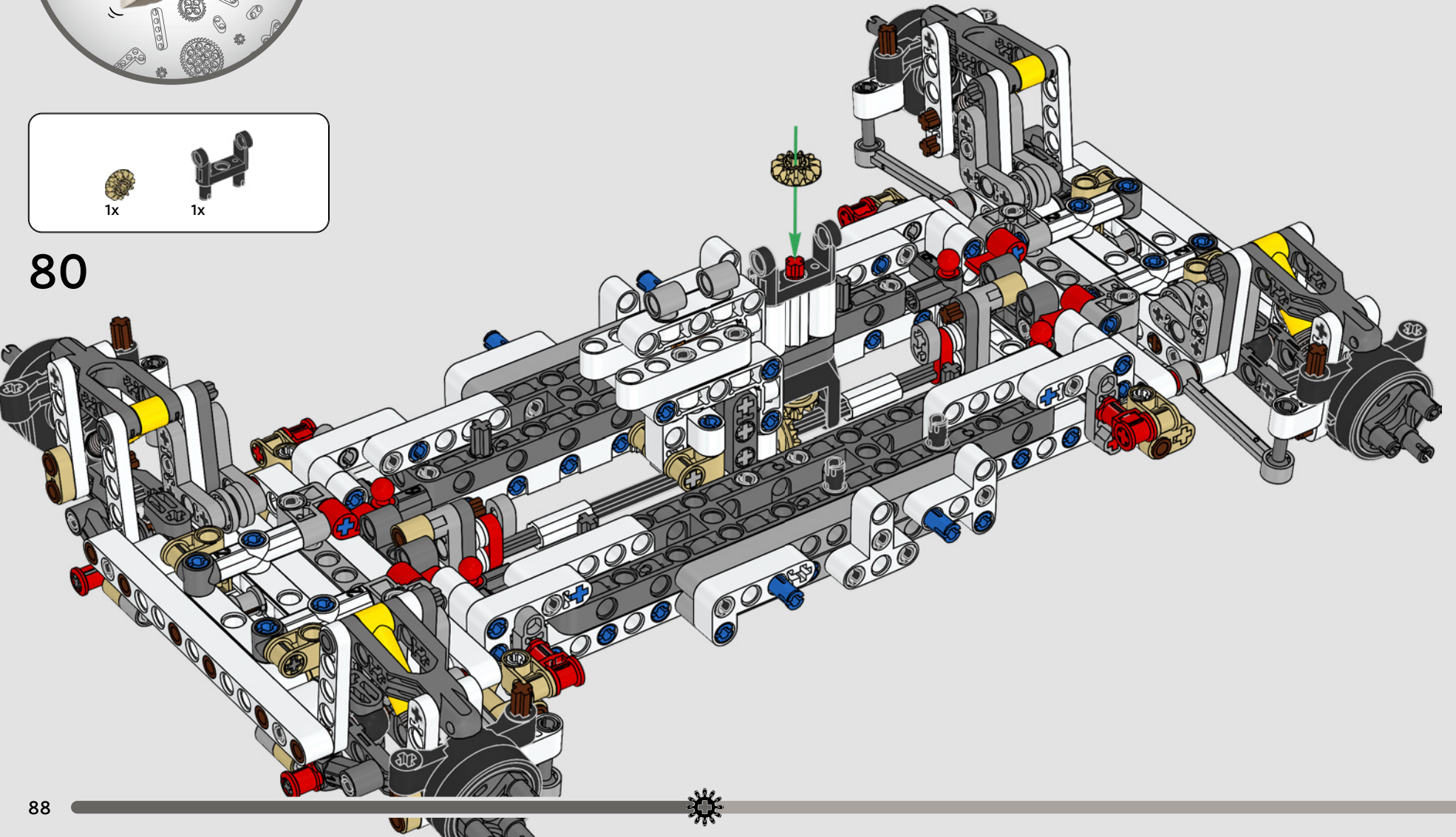


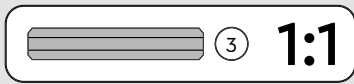
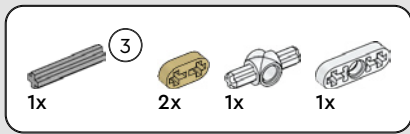
79



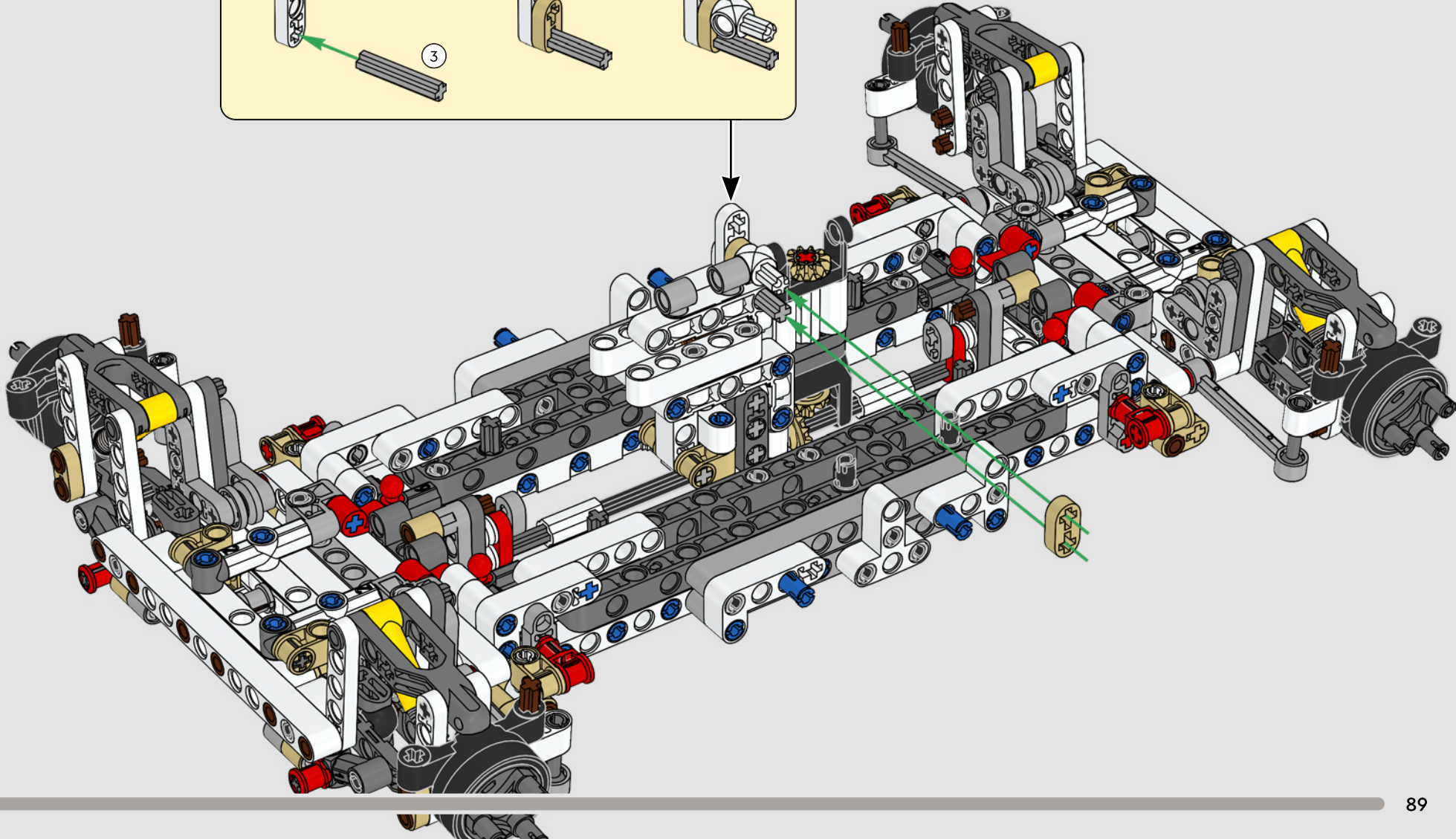
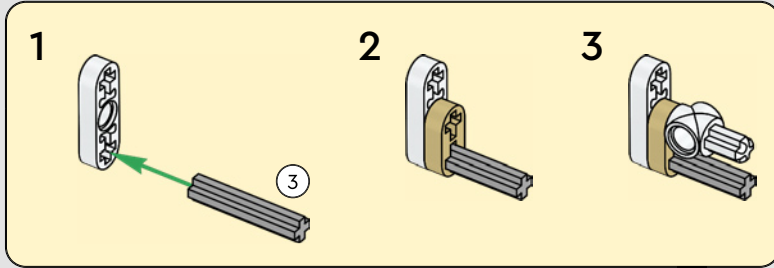


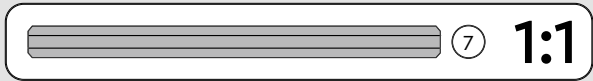
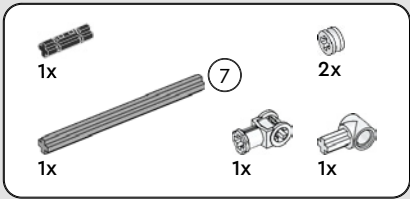
80



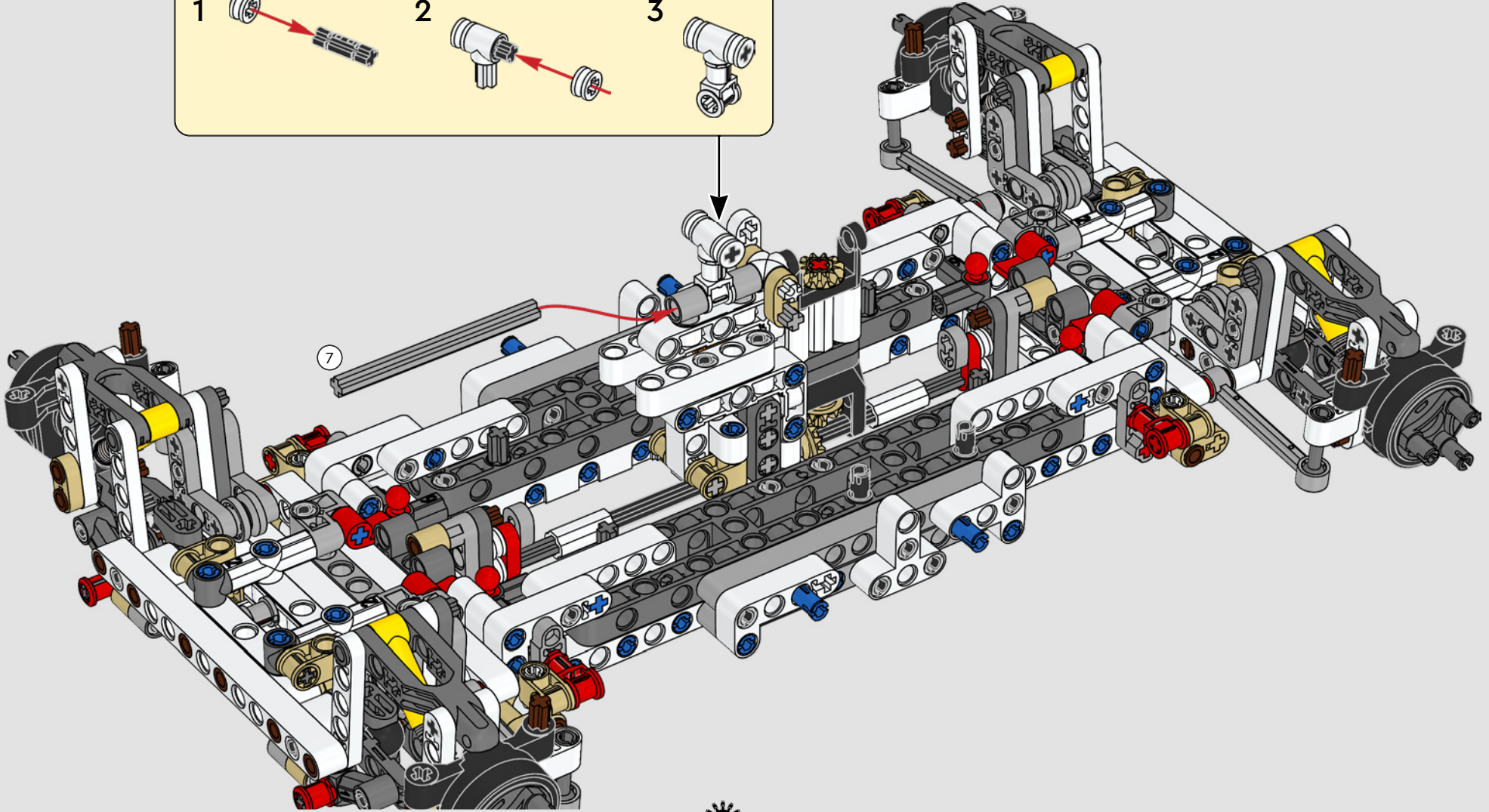
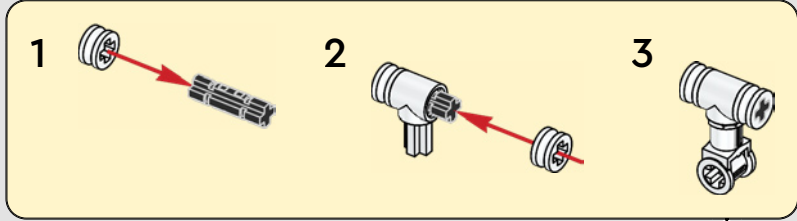


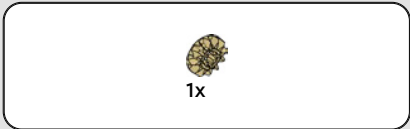
81



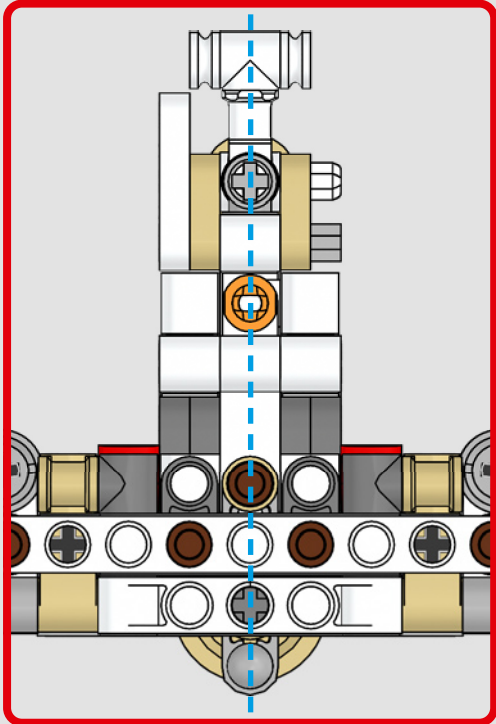
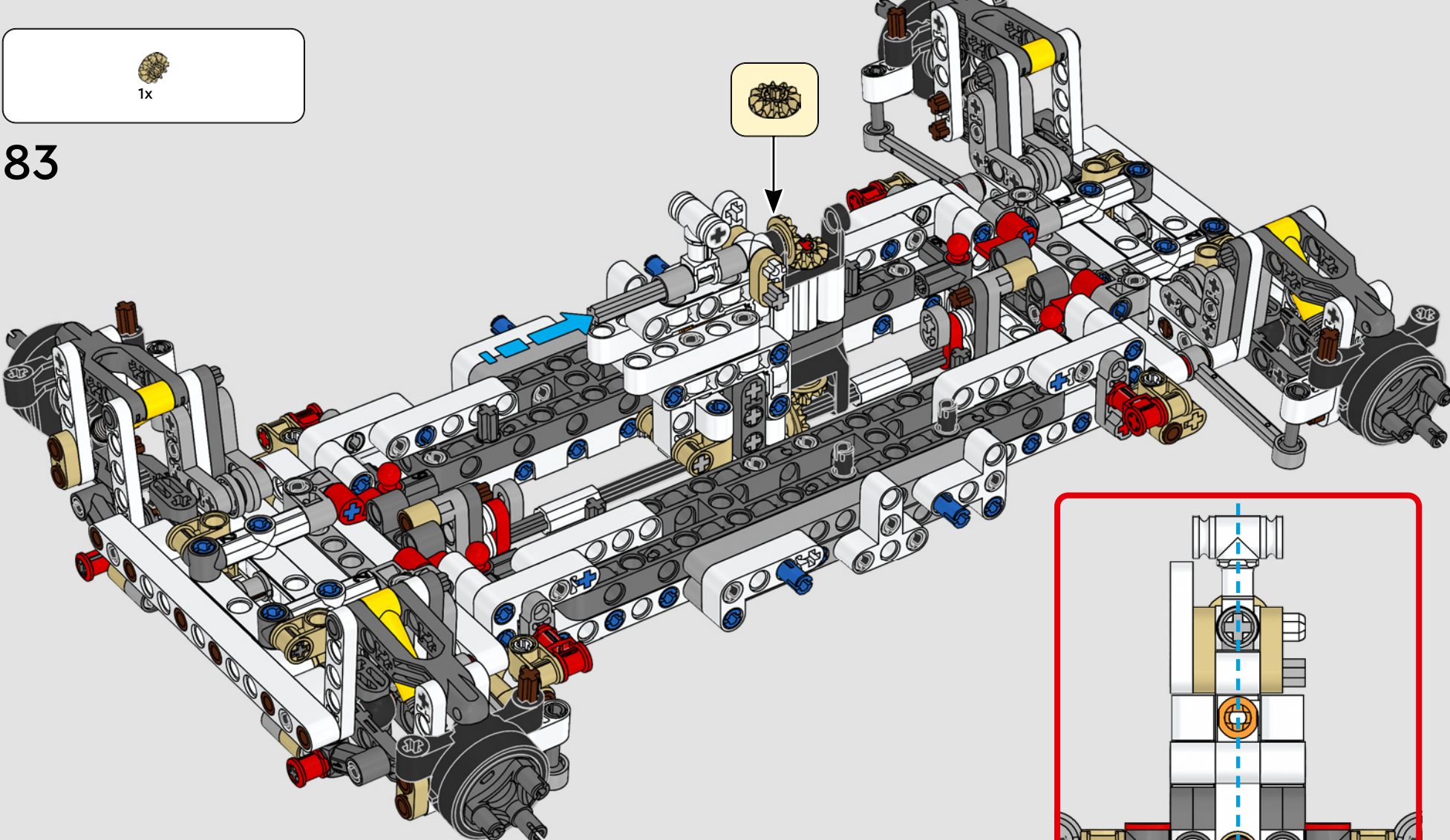


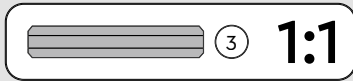
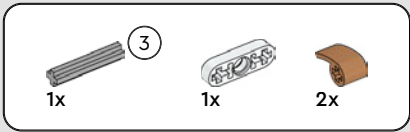
82



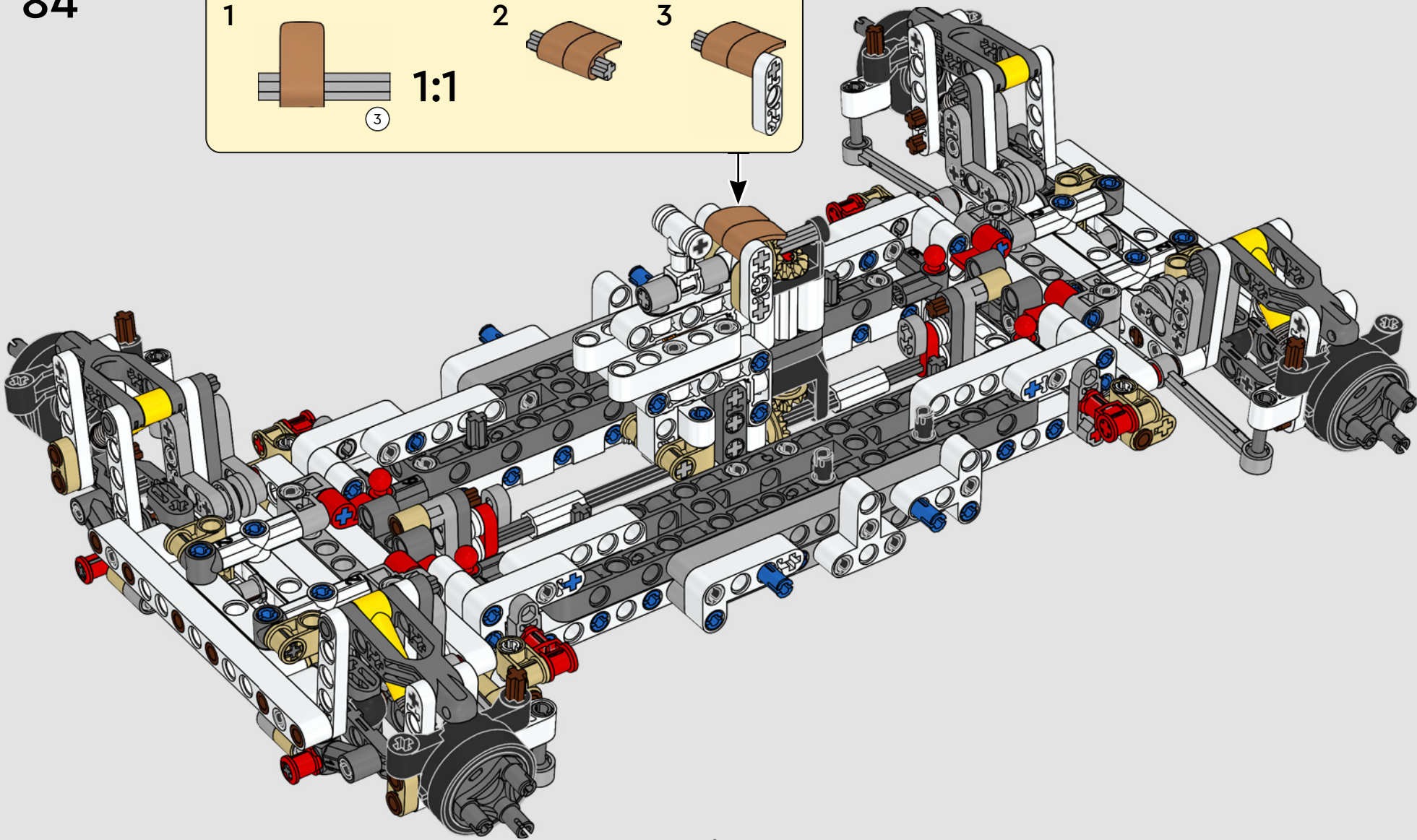
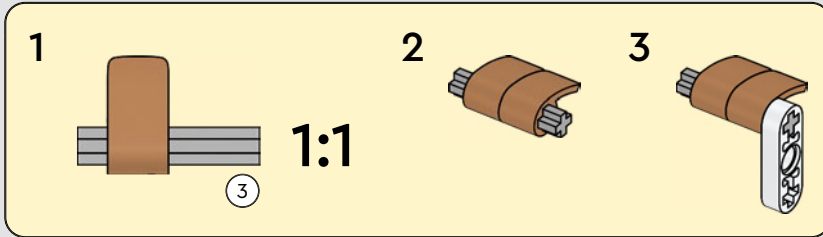


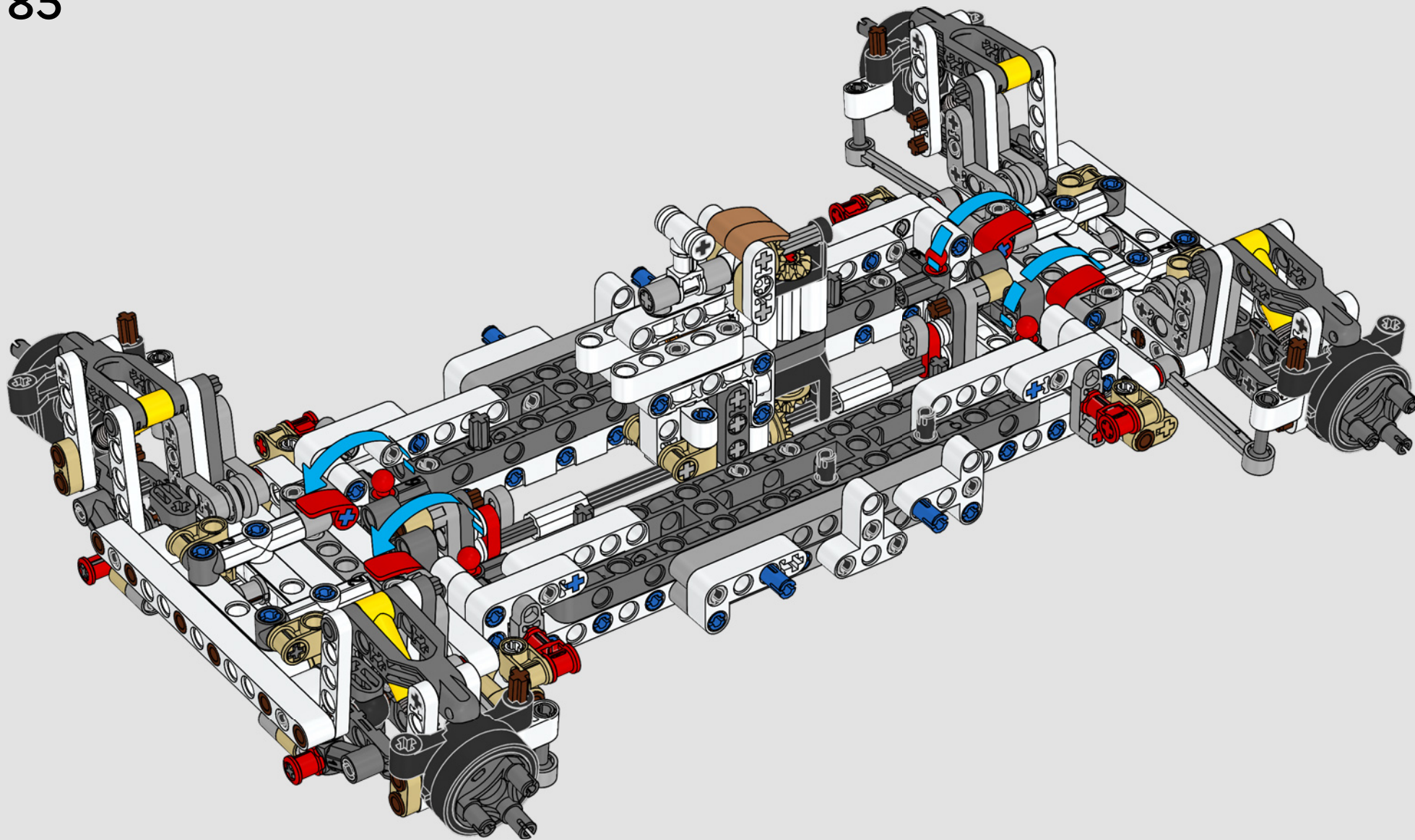
83

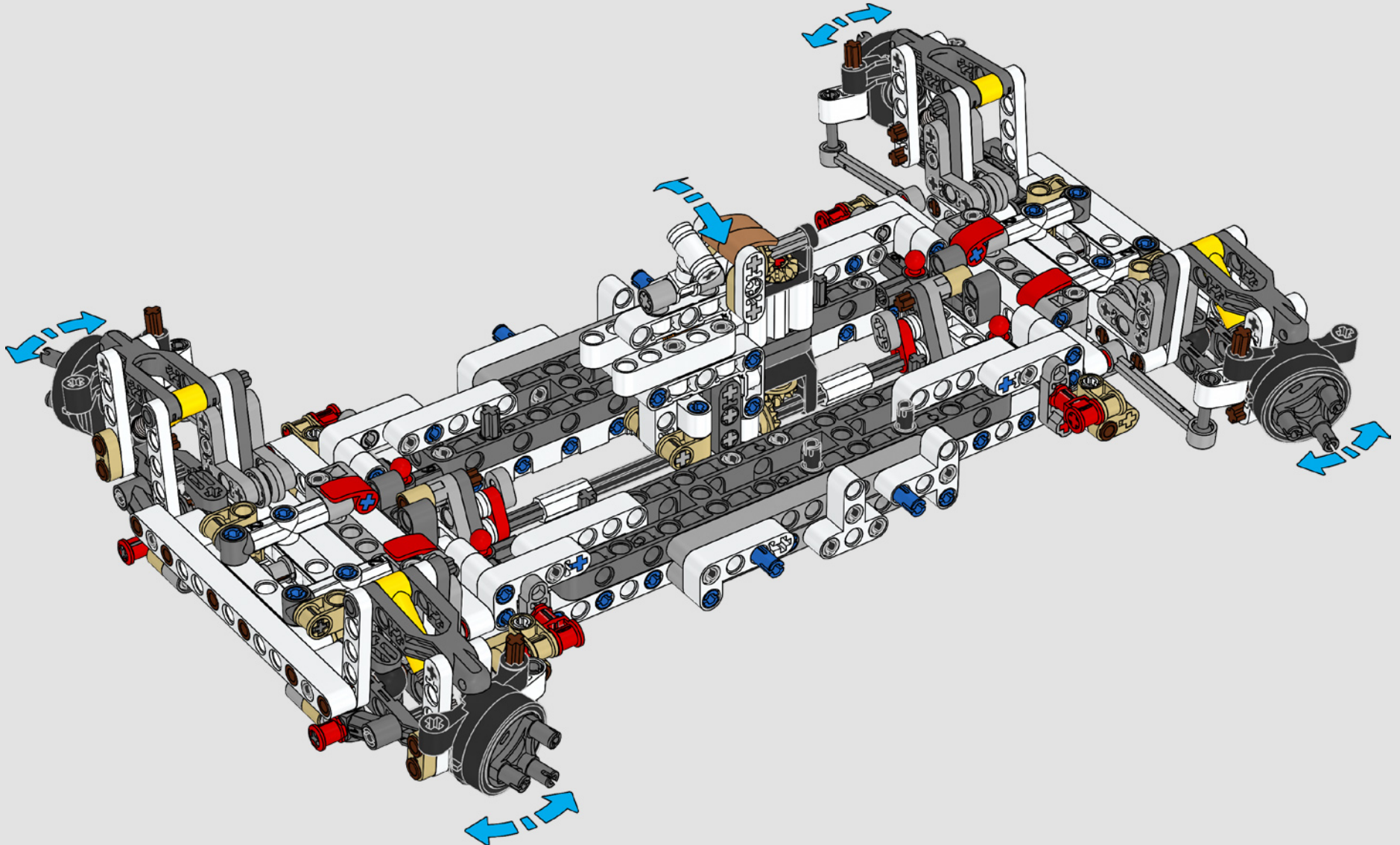




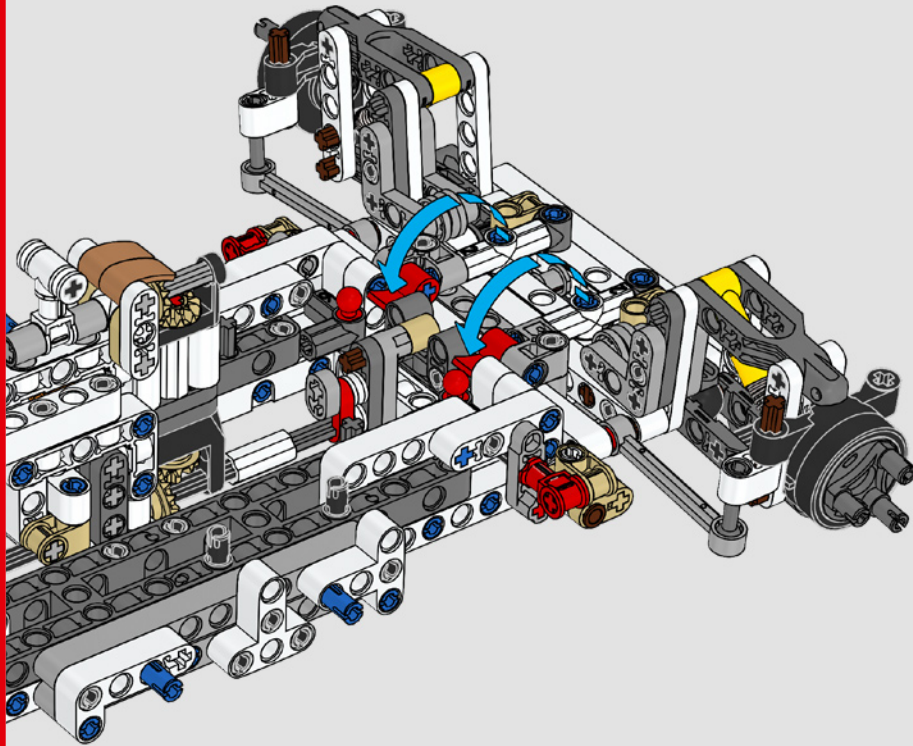
84



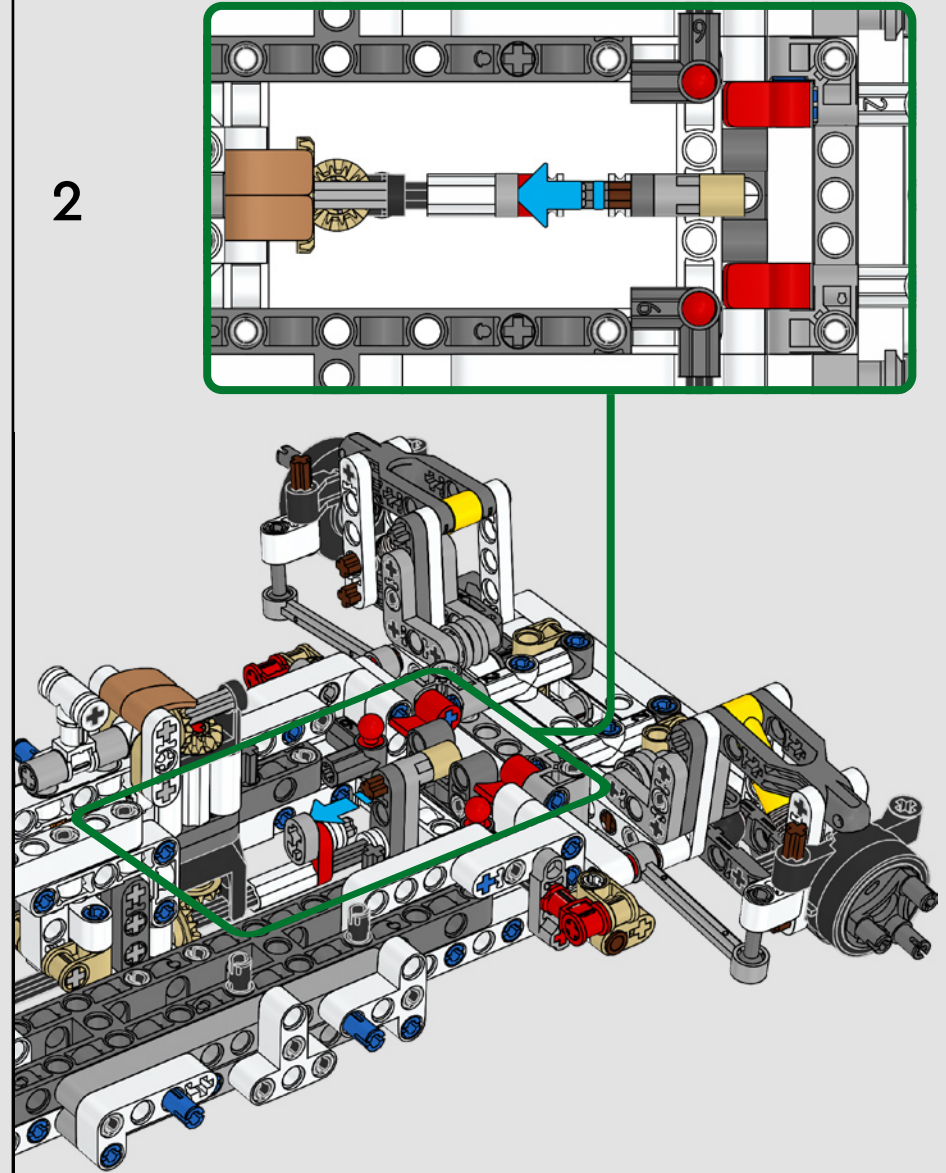




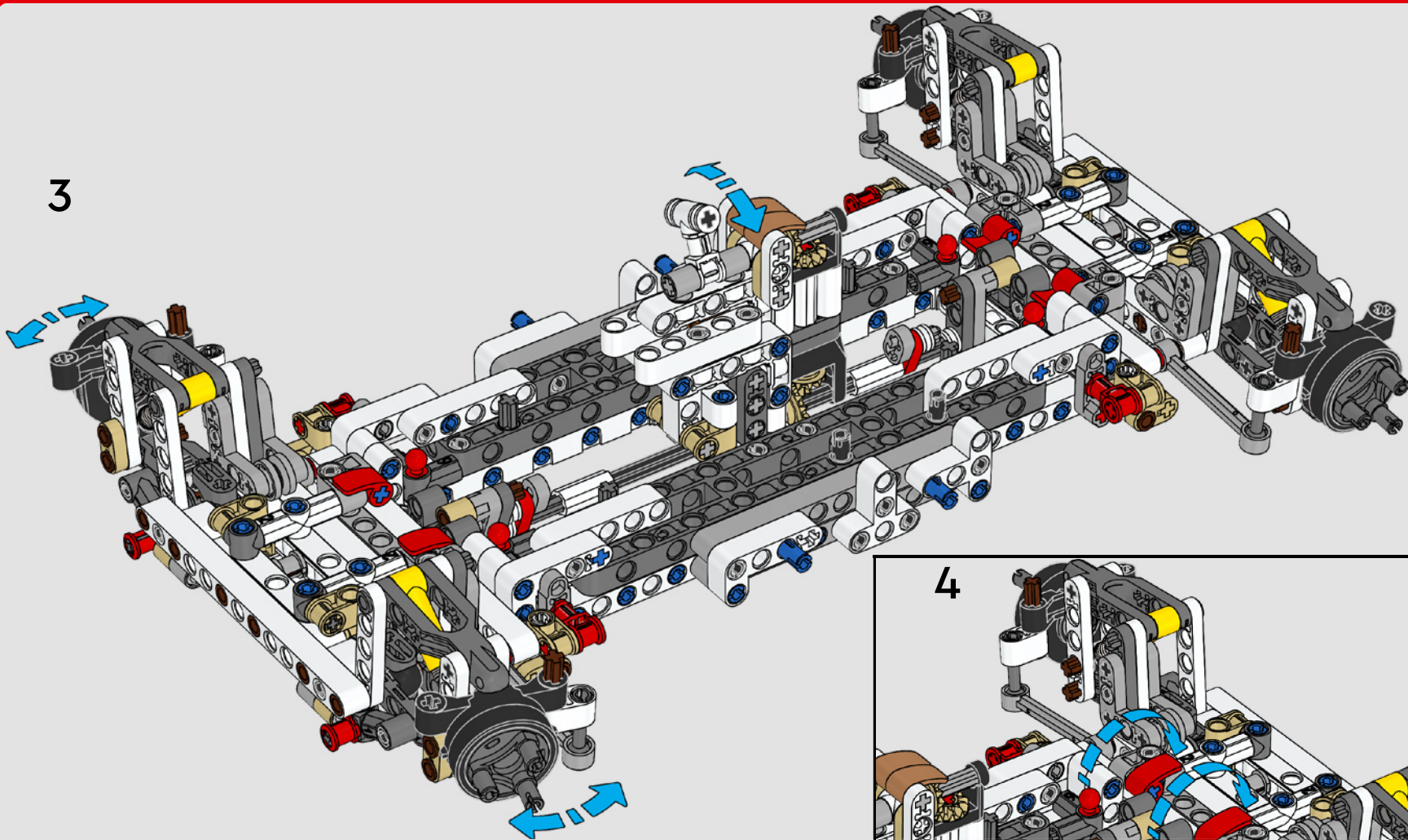
1



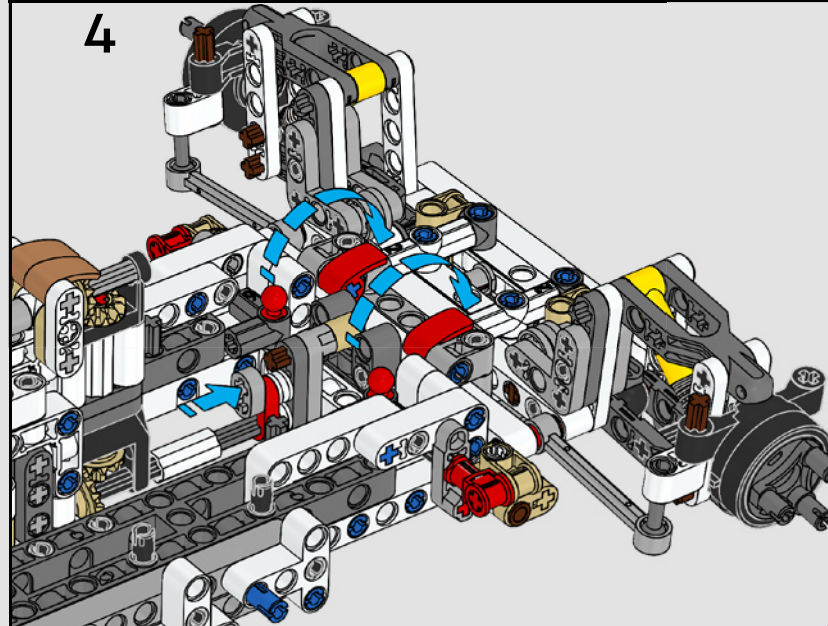
2

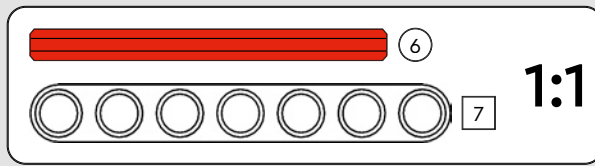
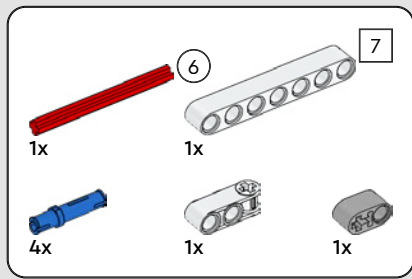


3

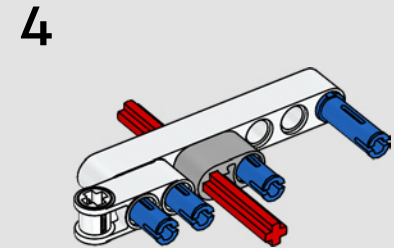
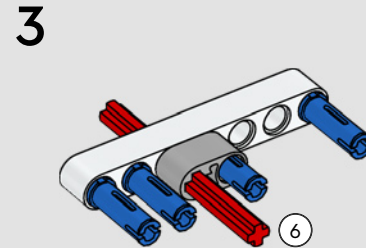
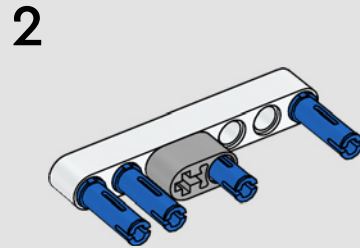
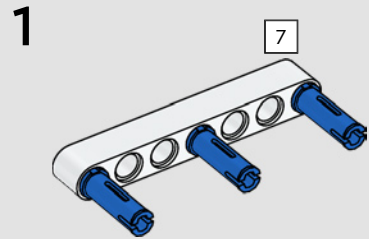


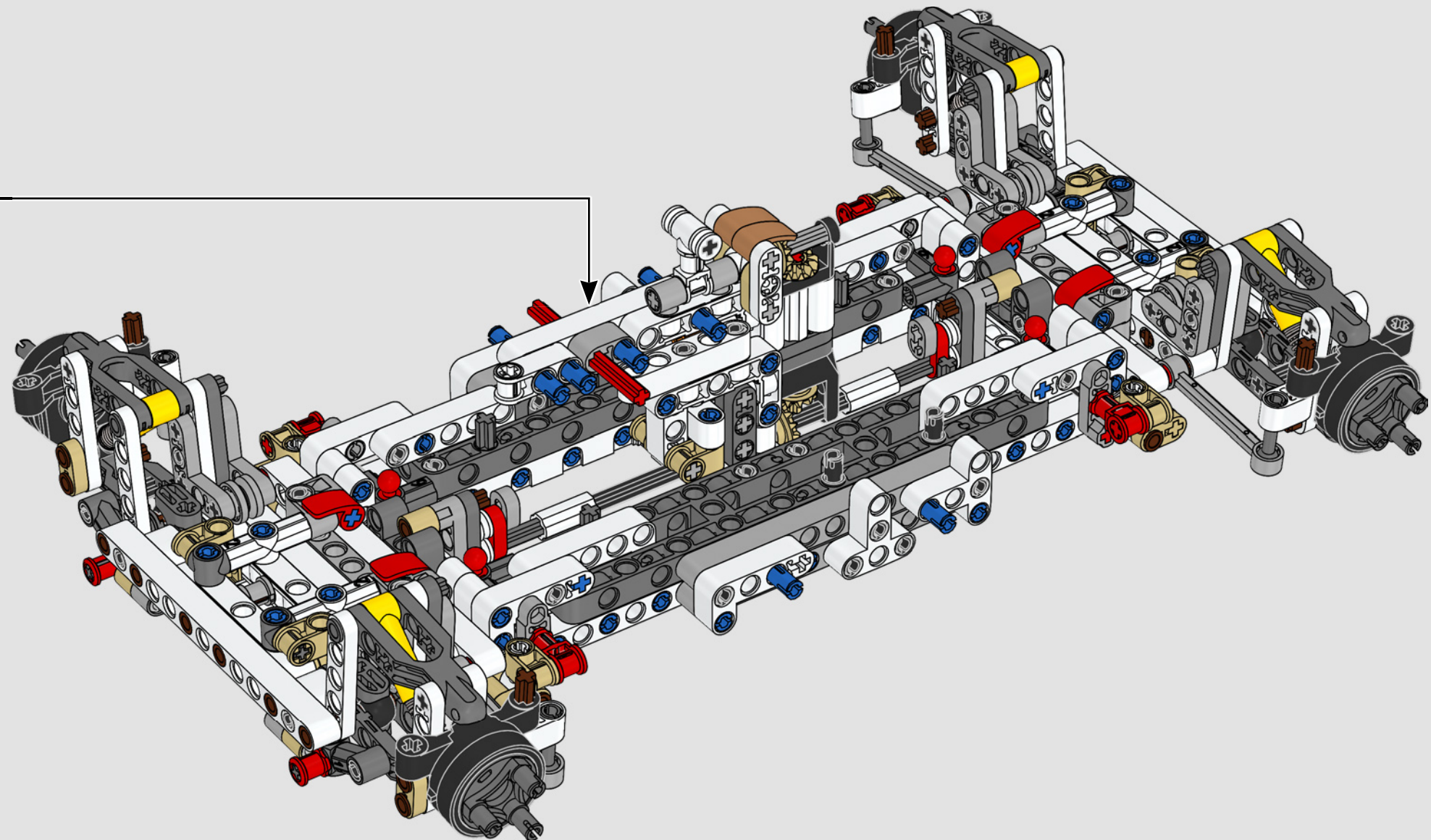
4

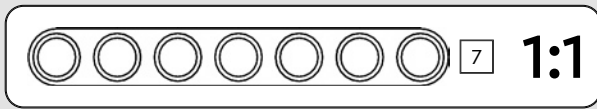
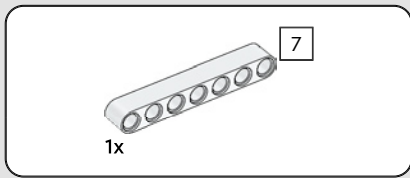




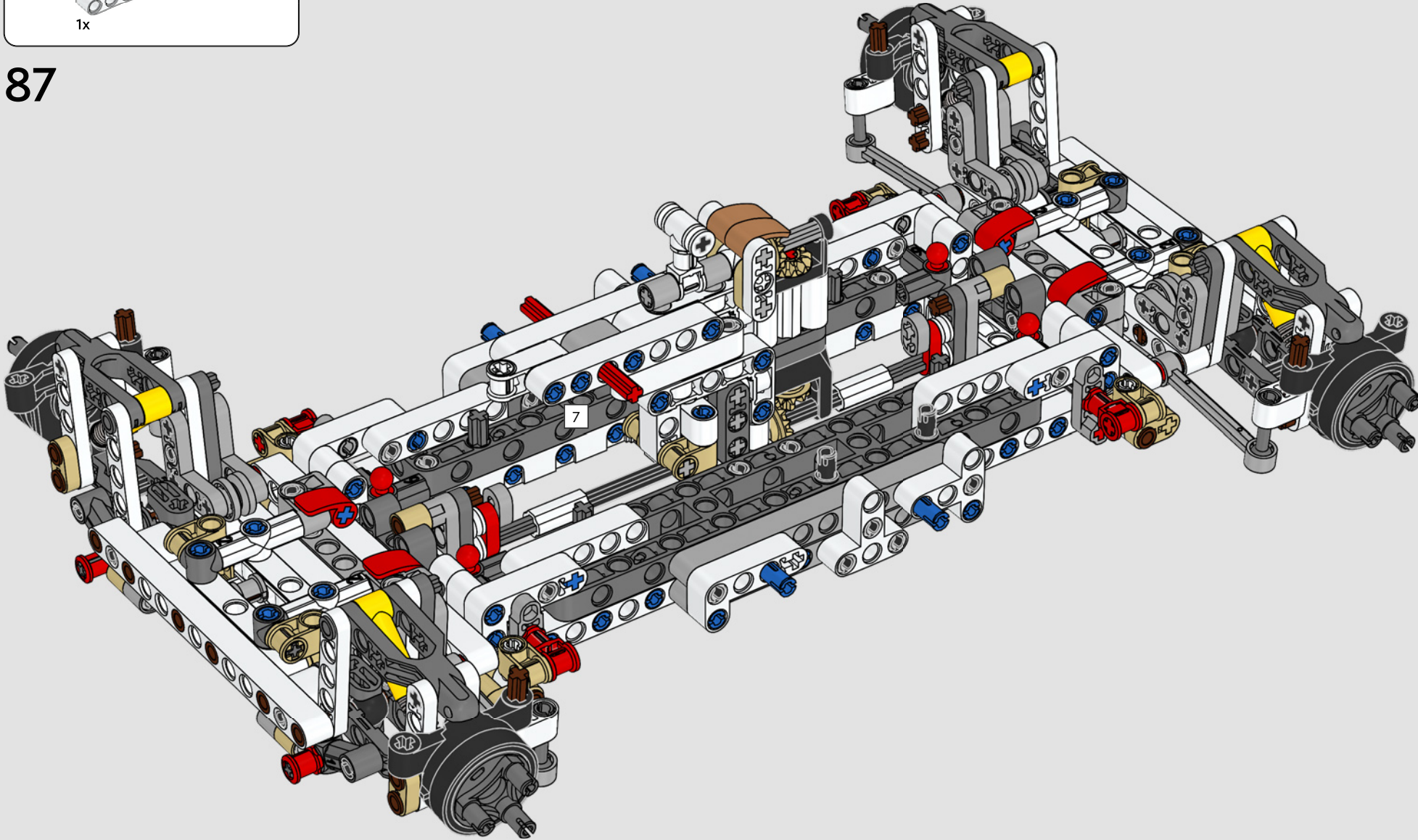
86







87



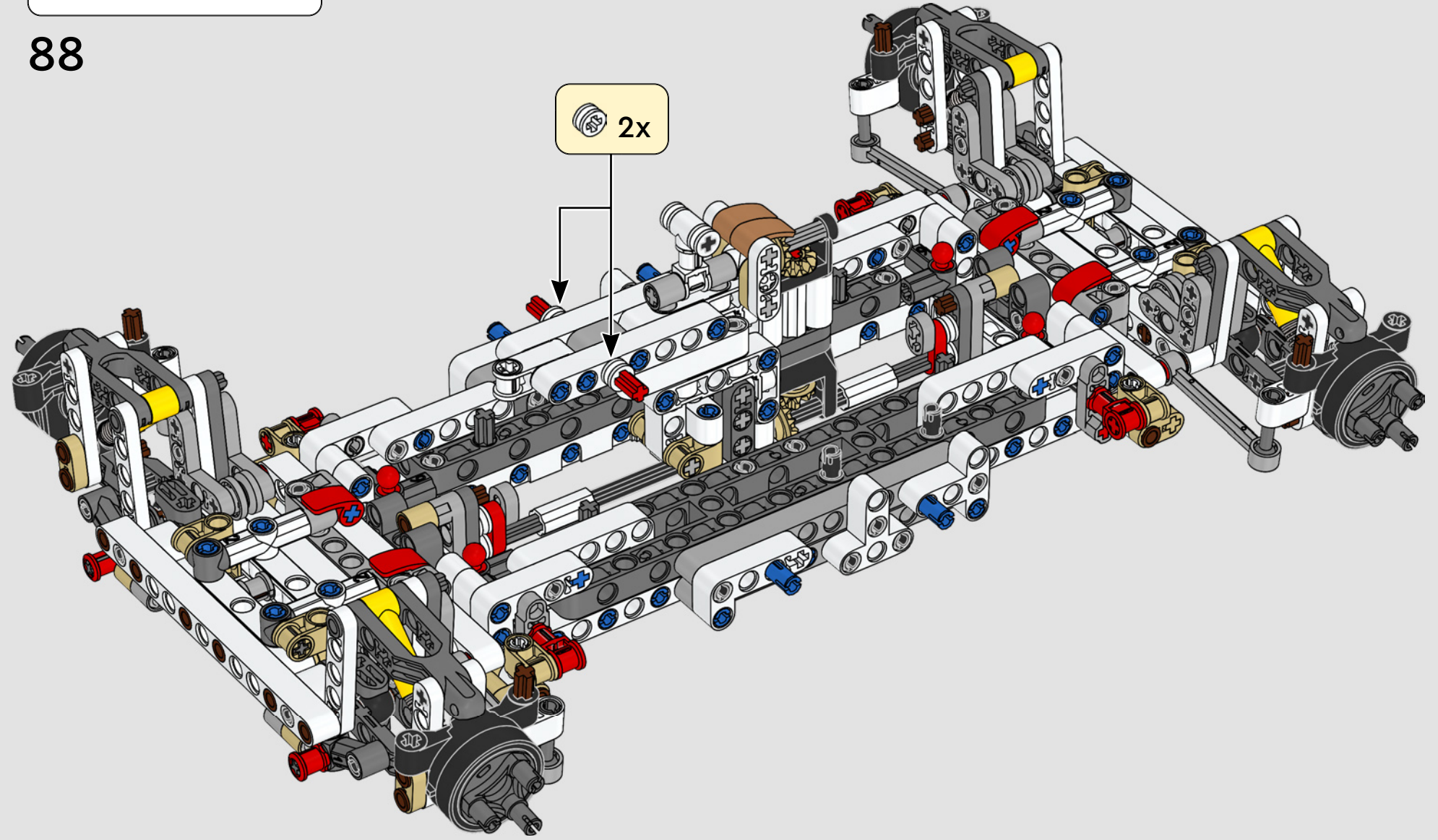


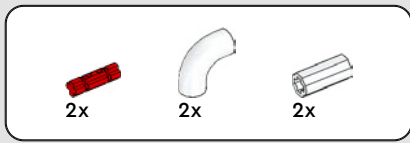
2x

88

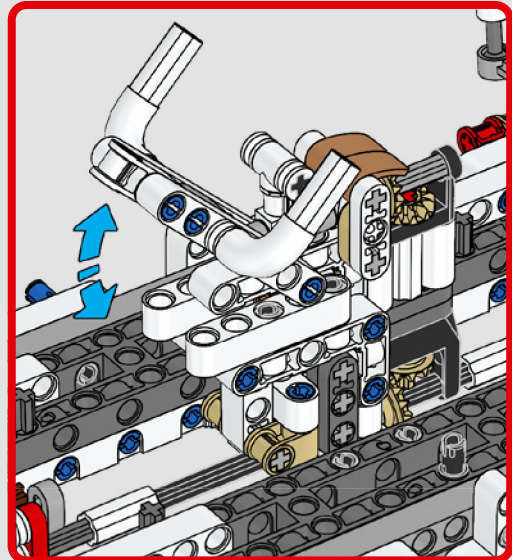
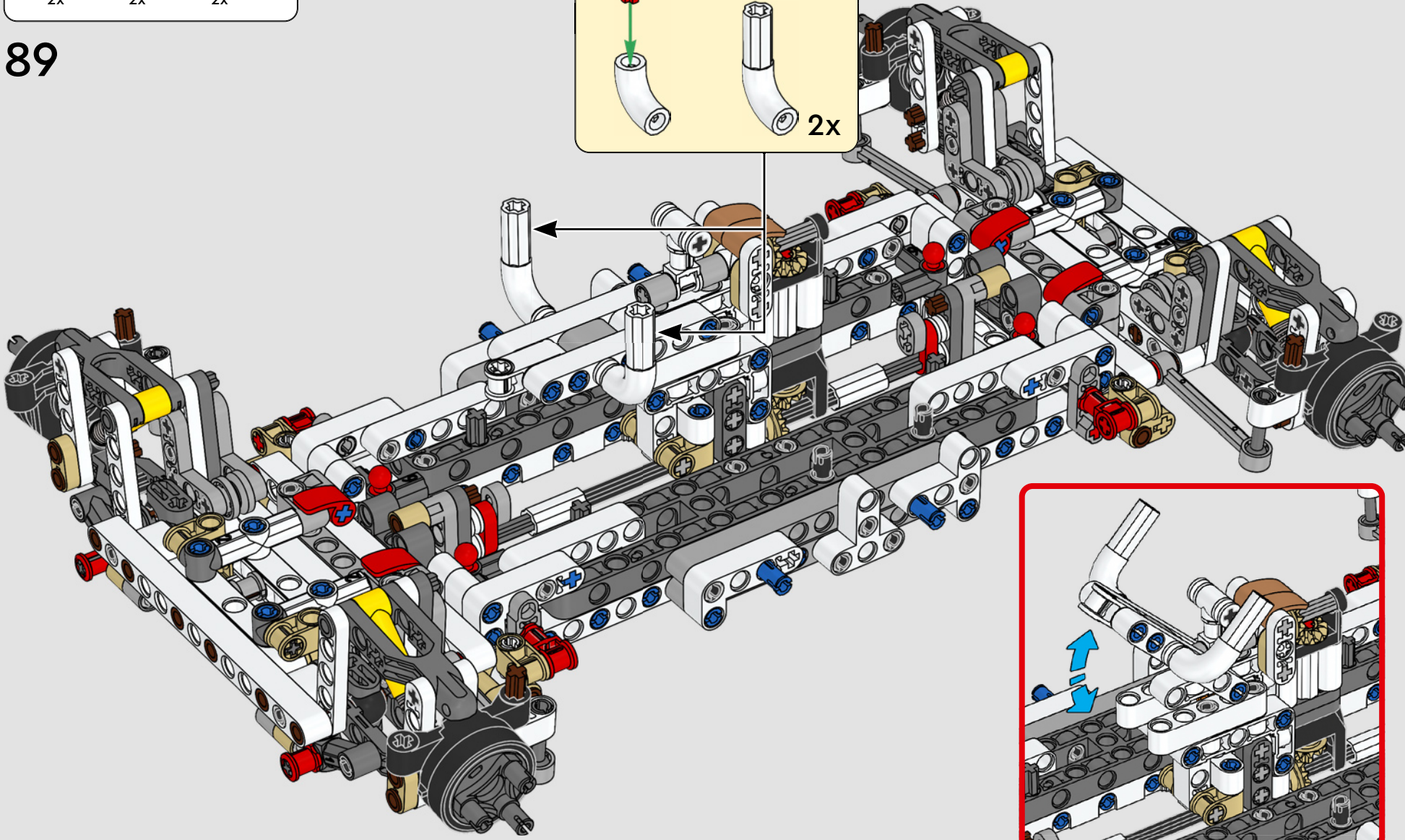
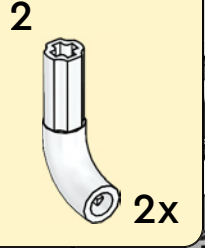
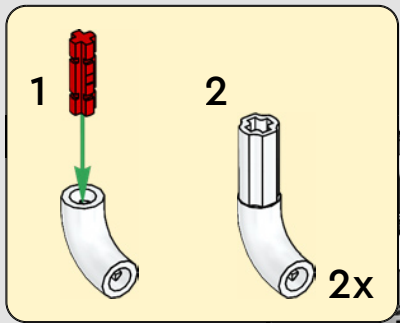


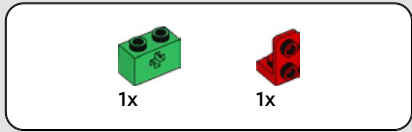
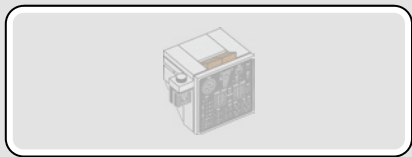
2x





89

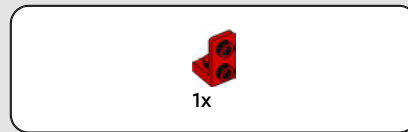
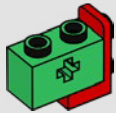




1x

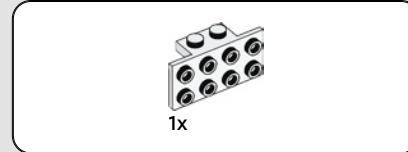
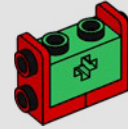
1x

90



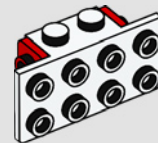
1x

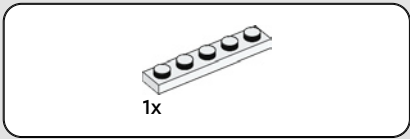
91



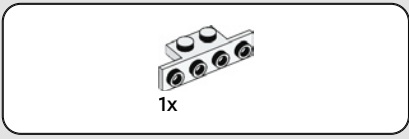
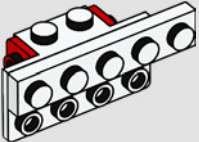
1x

92

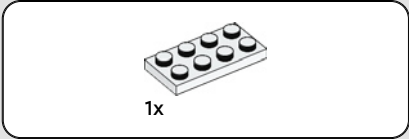




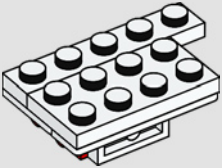
93

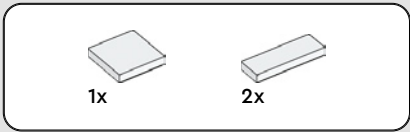


94

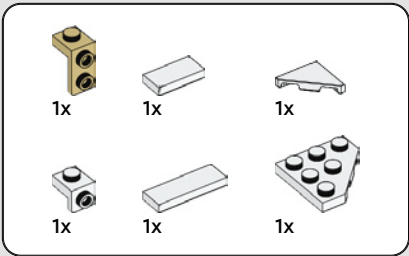
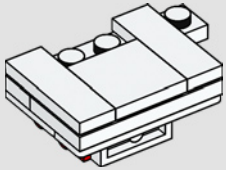


95

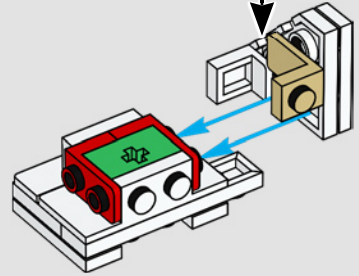
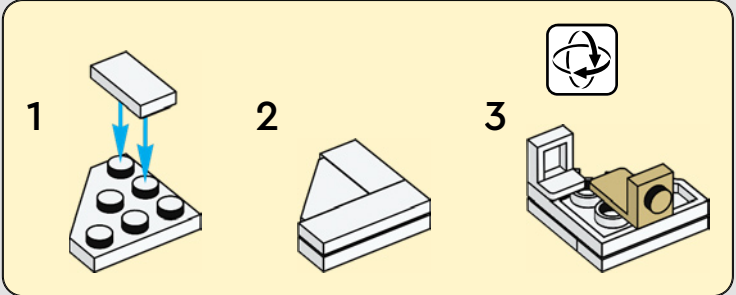


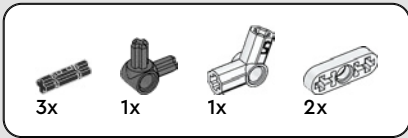


96

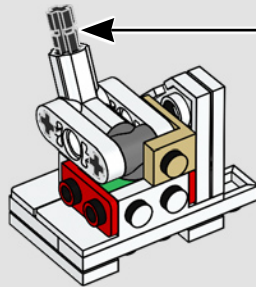
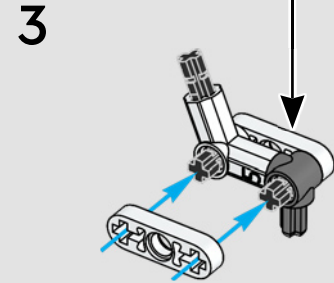
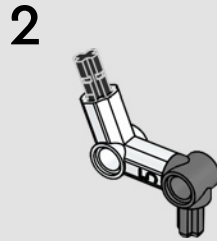
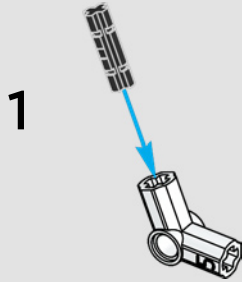


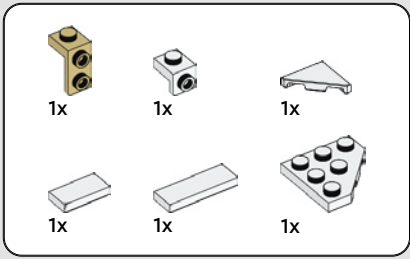
97



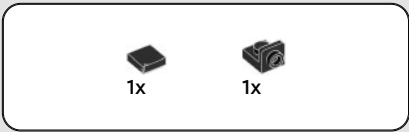
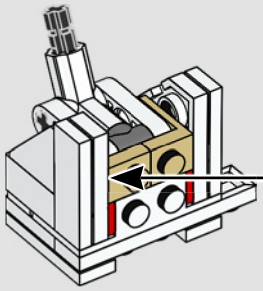
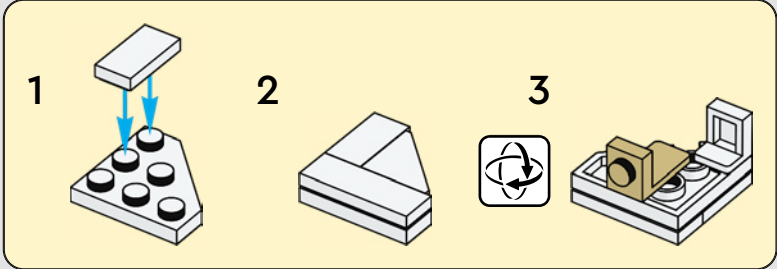


98

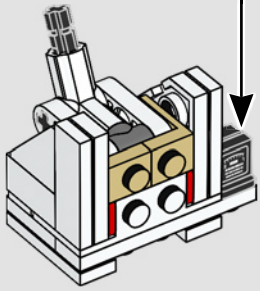
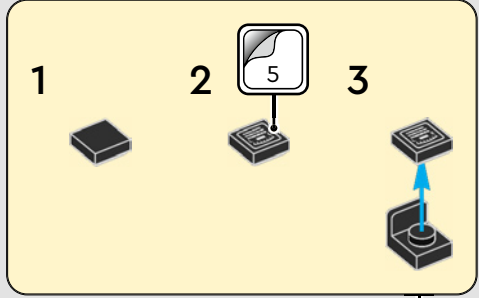


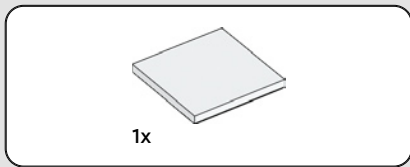


99

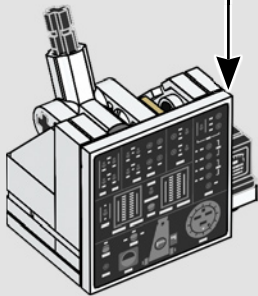
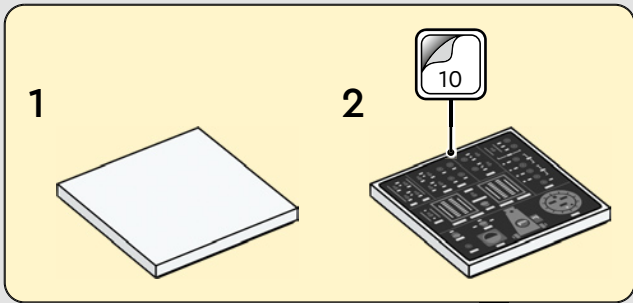


100

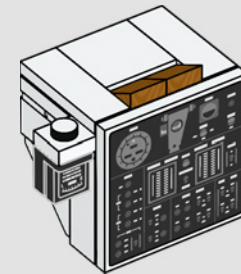
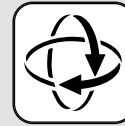




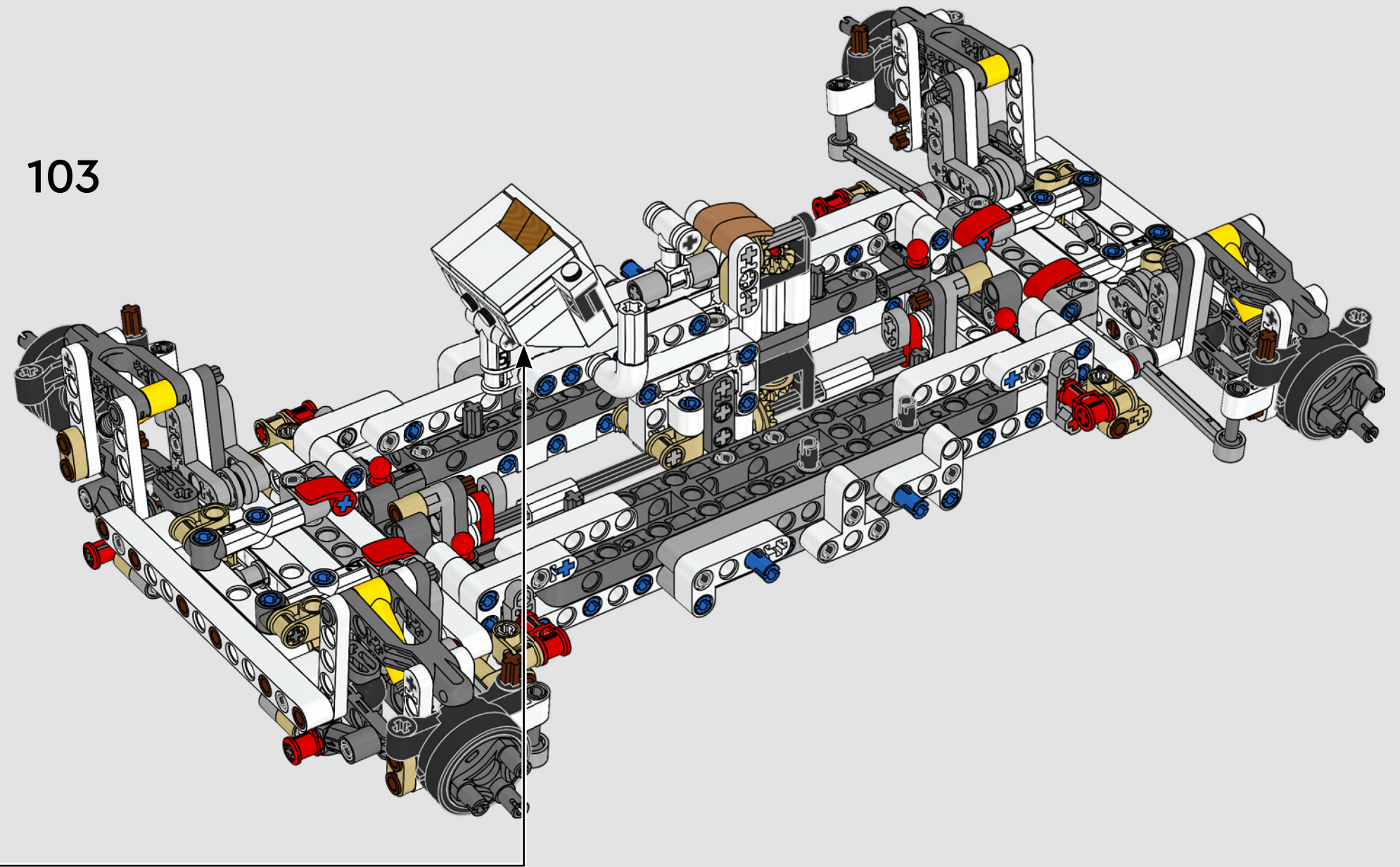
101

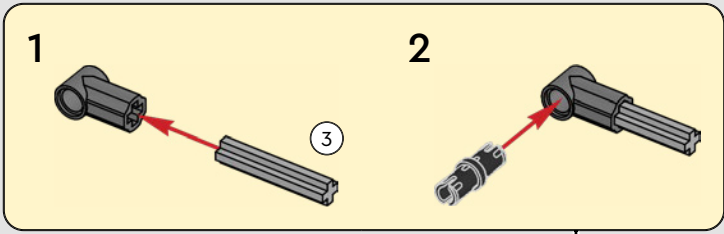


102

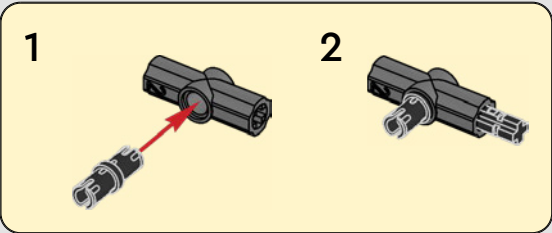
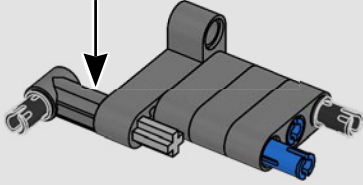


103

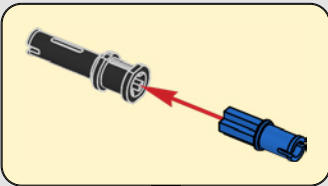
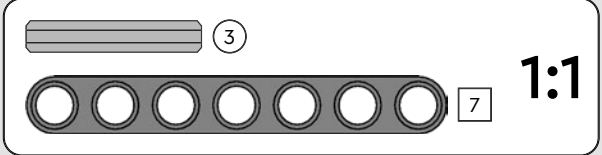
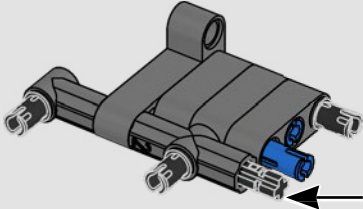




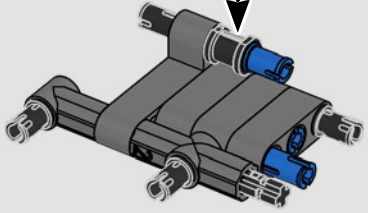
5



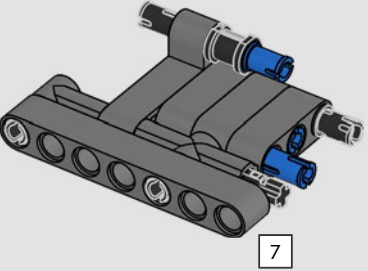
6

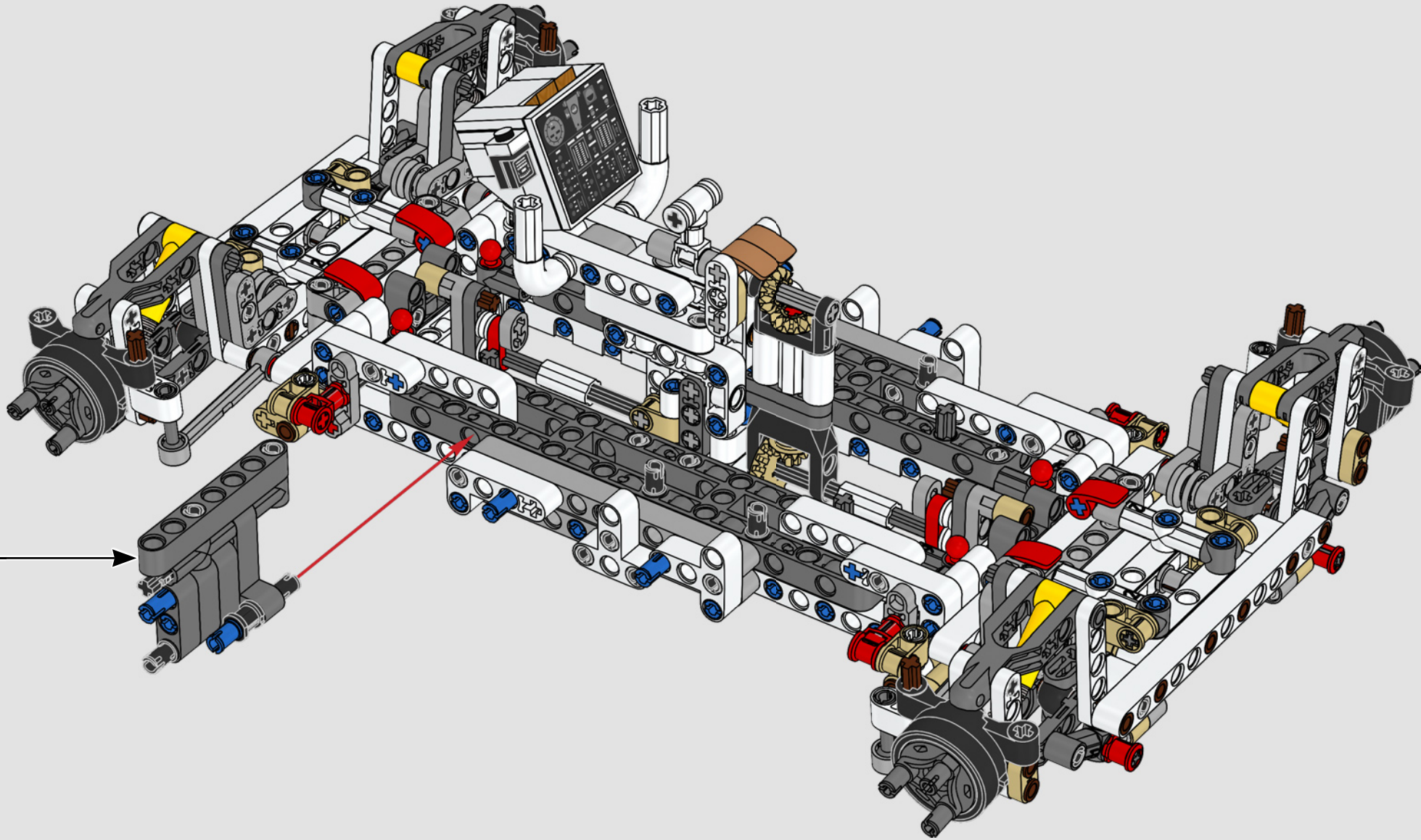


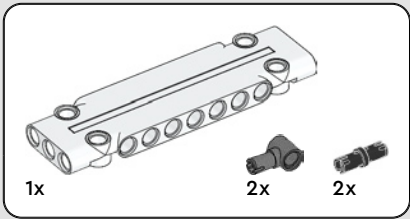
7



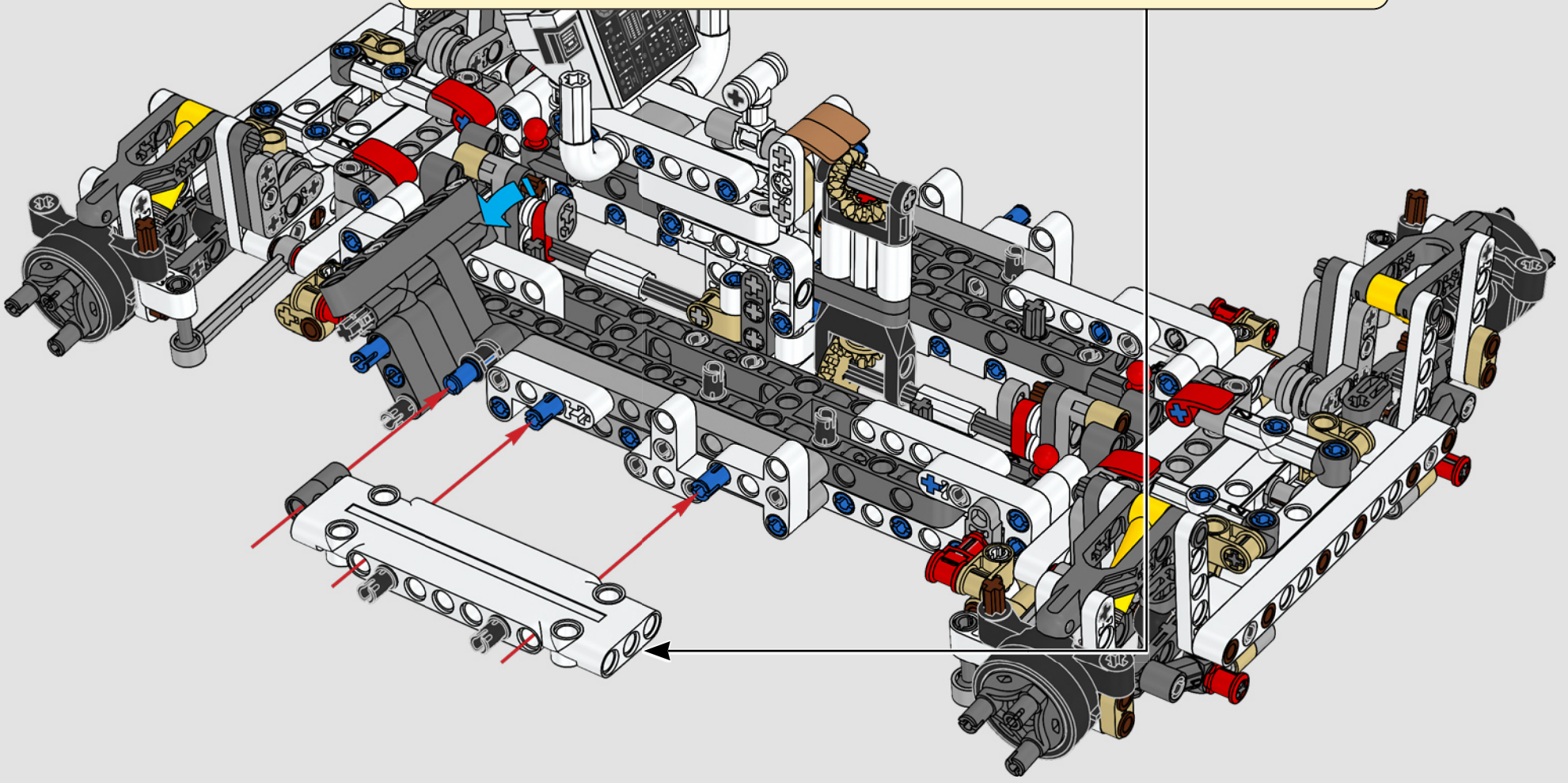
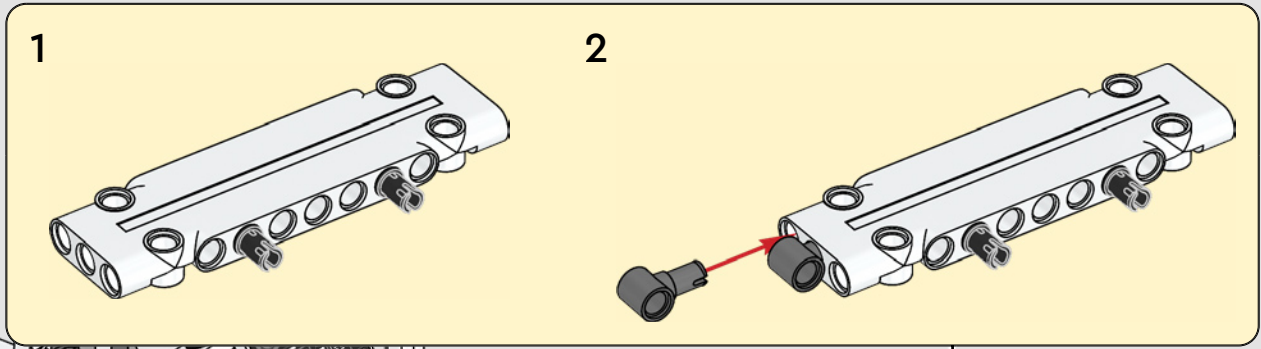
8

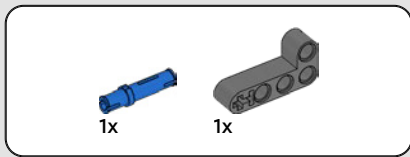




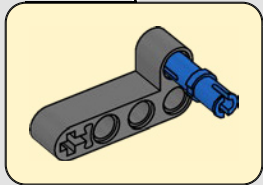
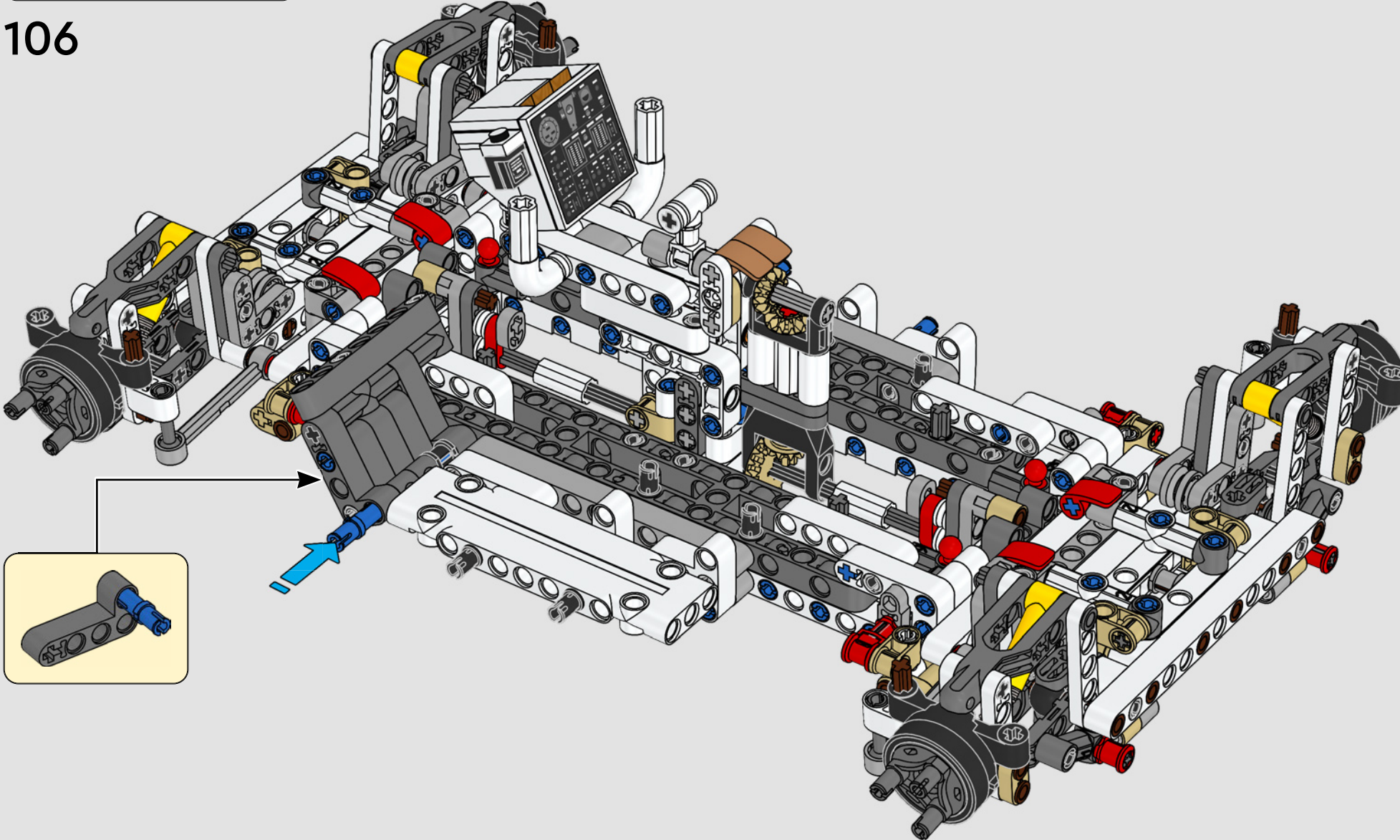


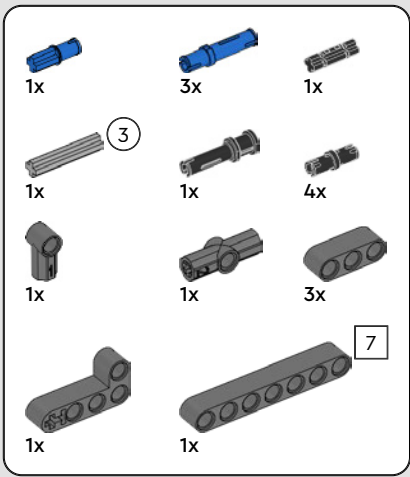
105





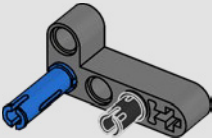
106



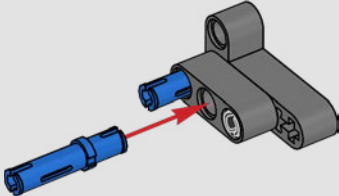


107

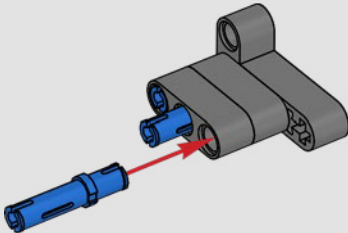
1



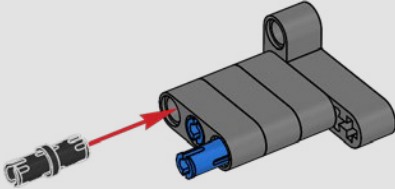
2

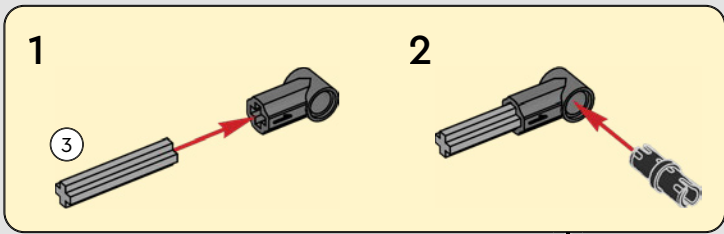


3

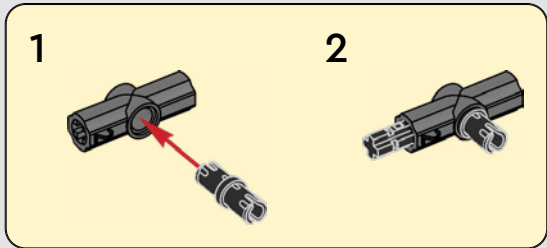
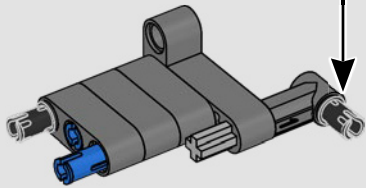


4

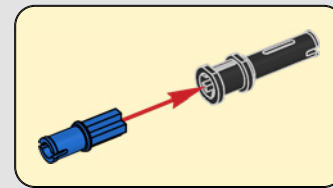
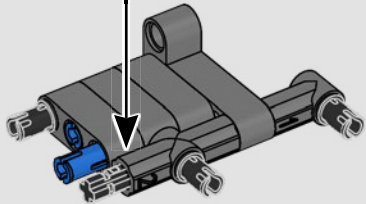




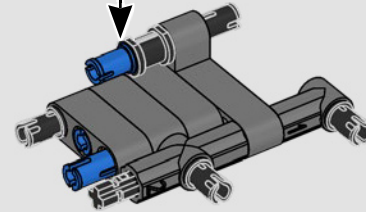
5



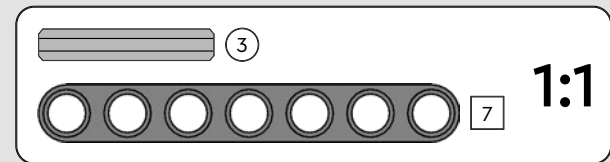
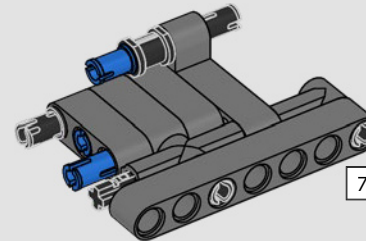
6

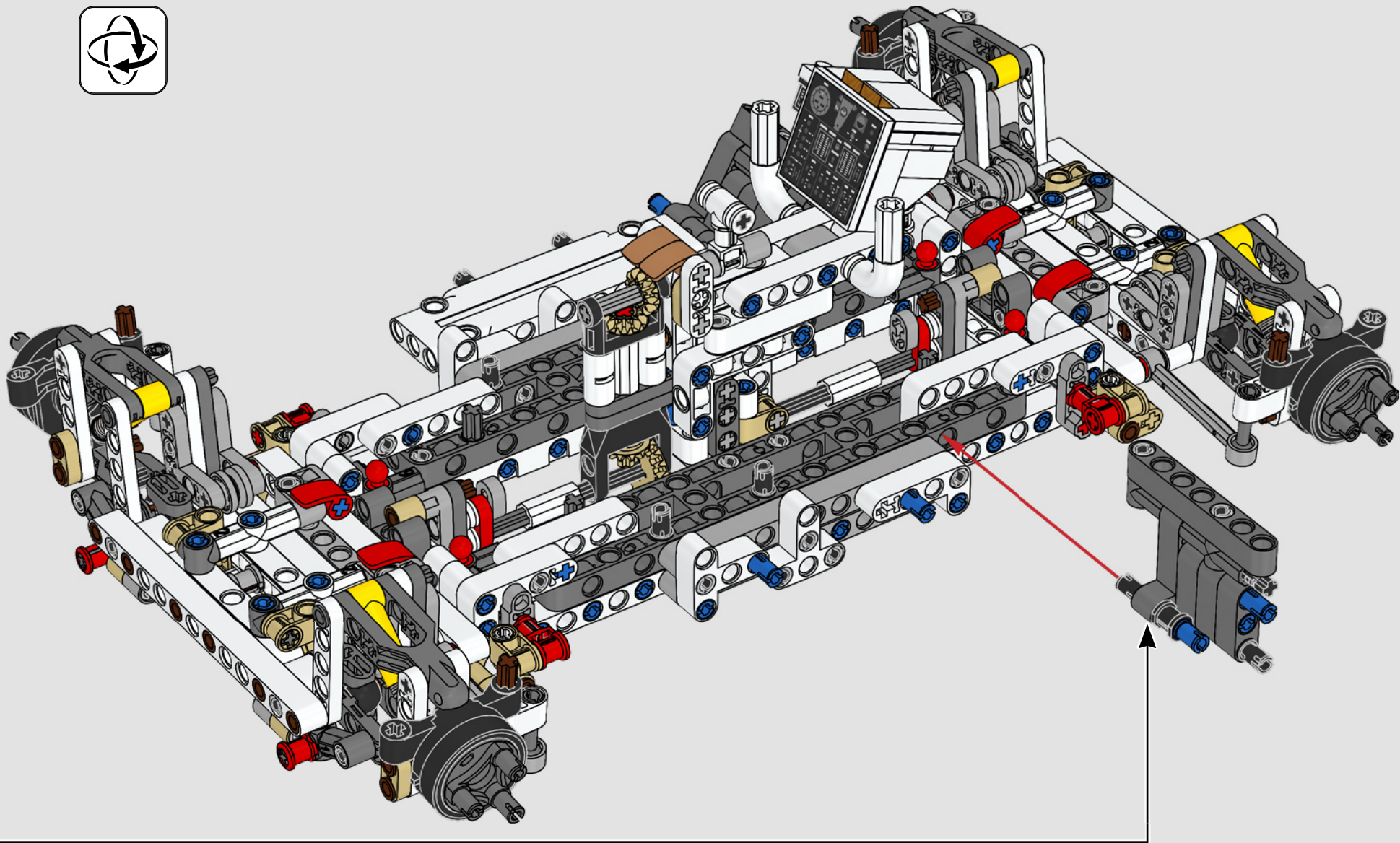


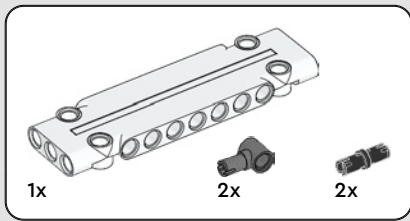
7



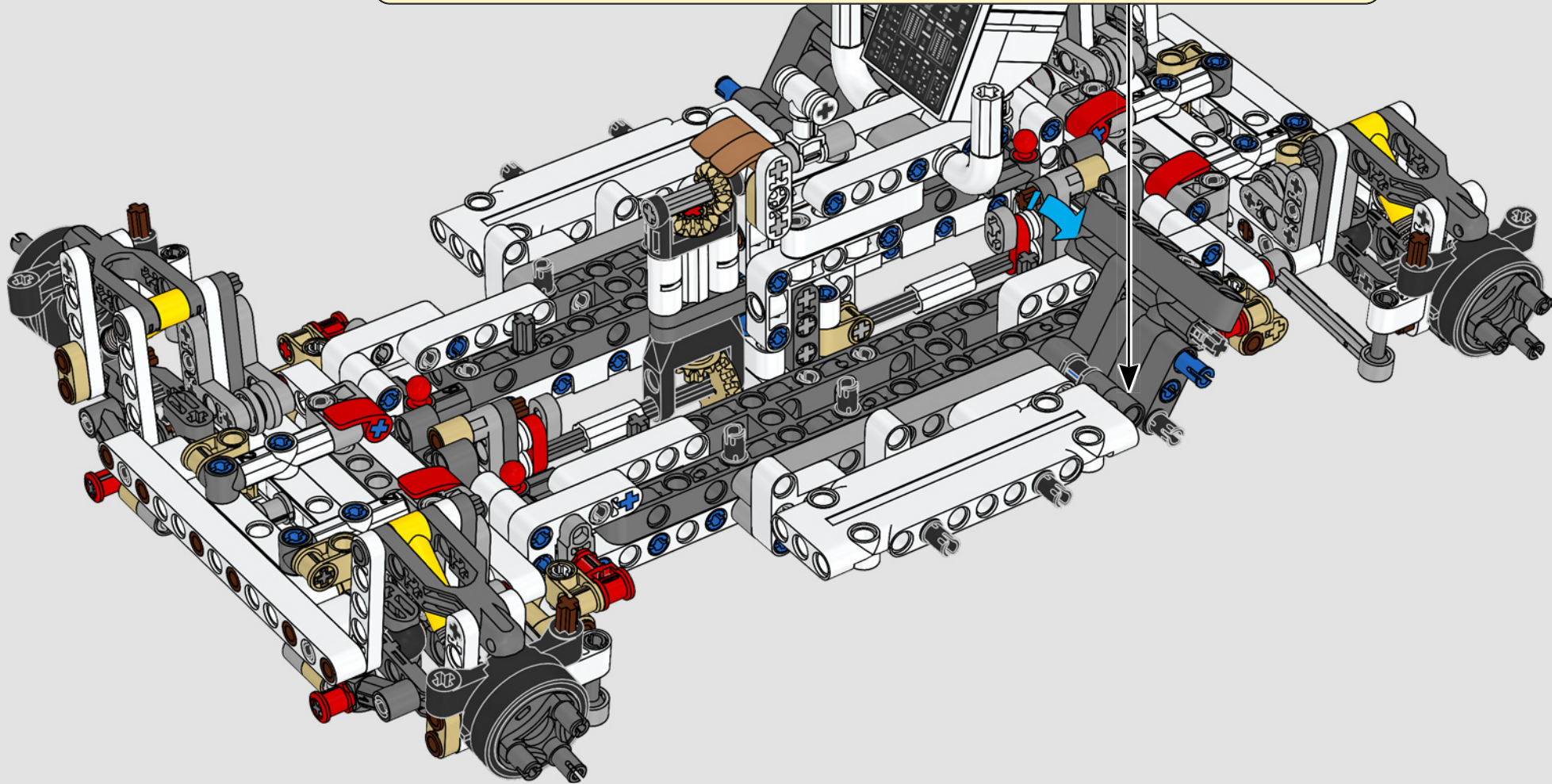
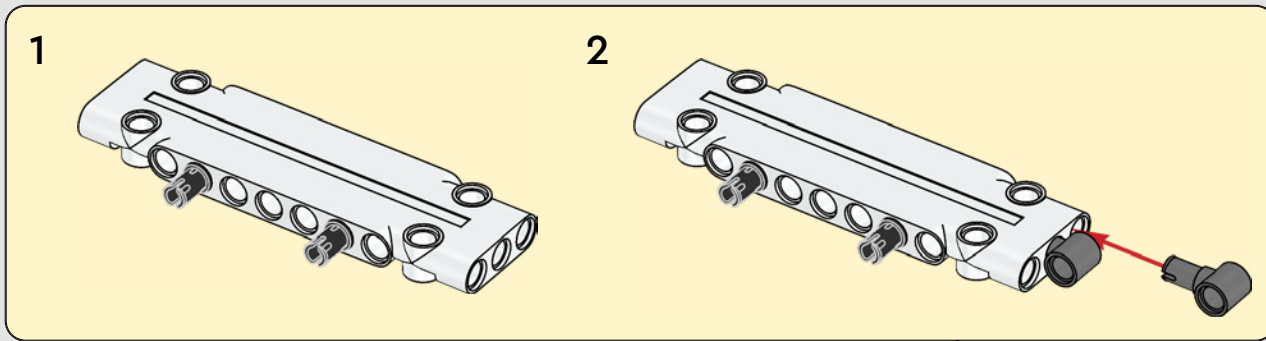
8

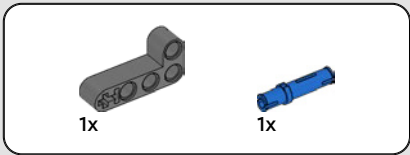




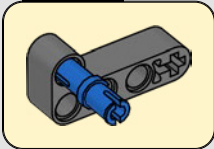
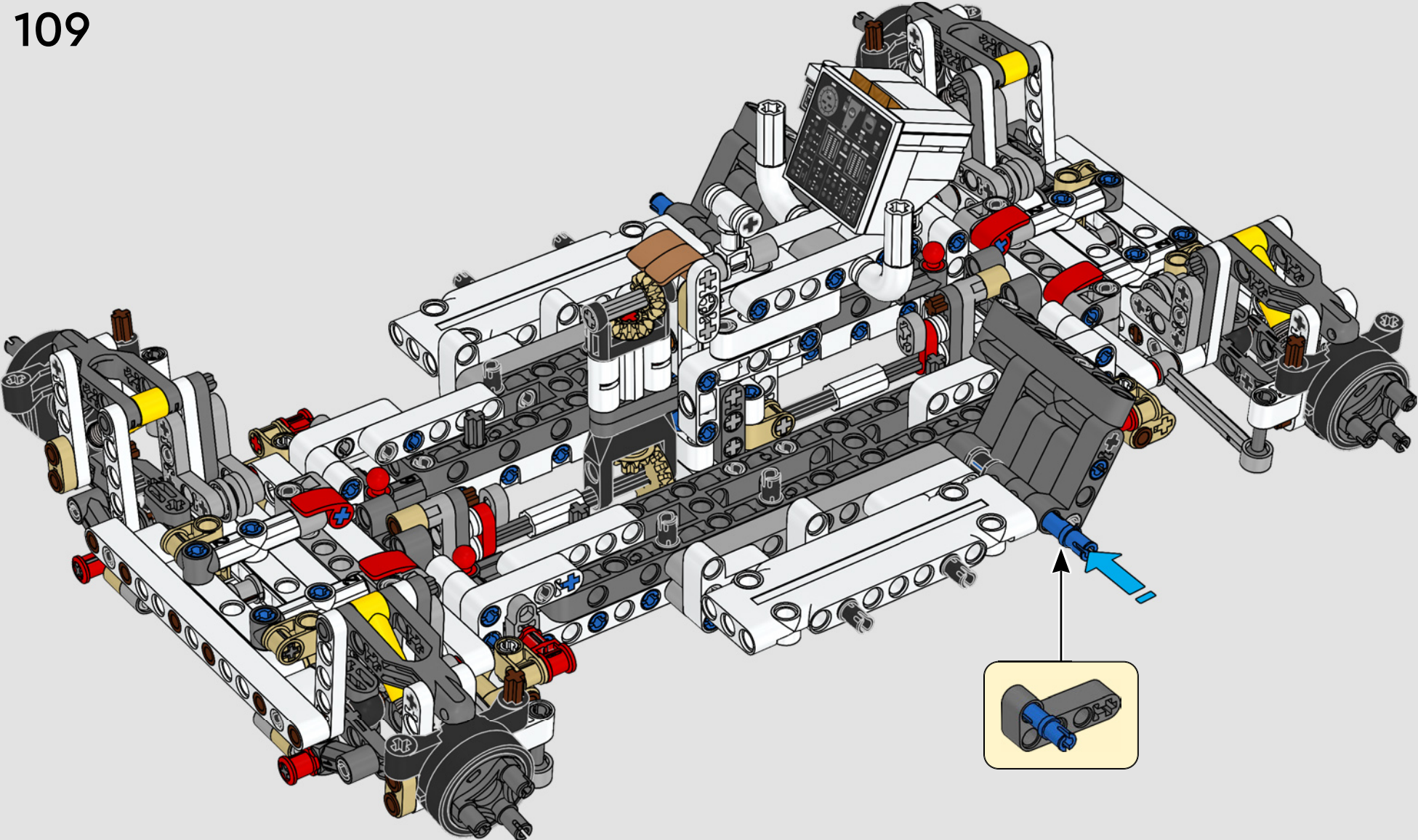


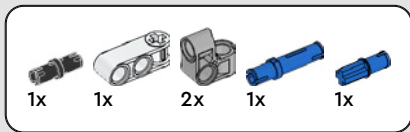
108



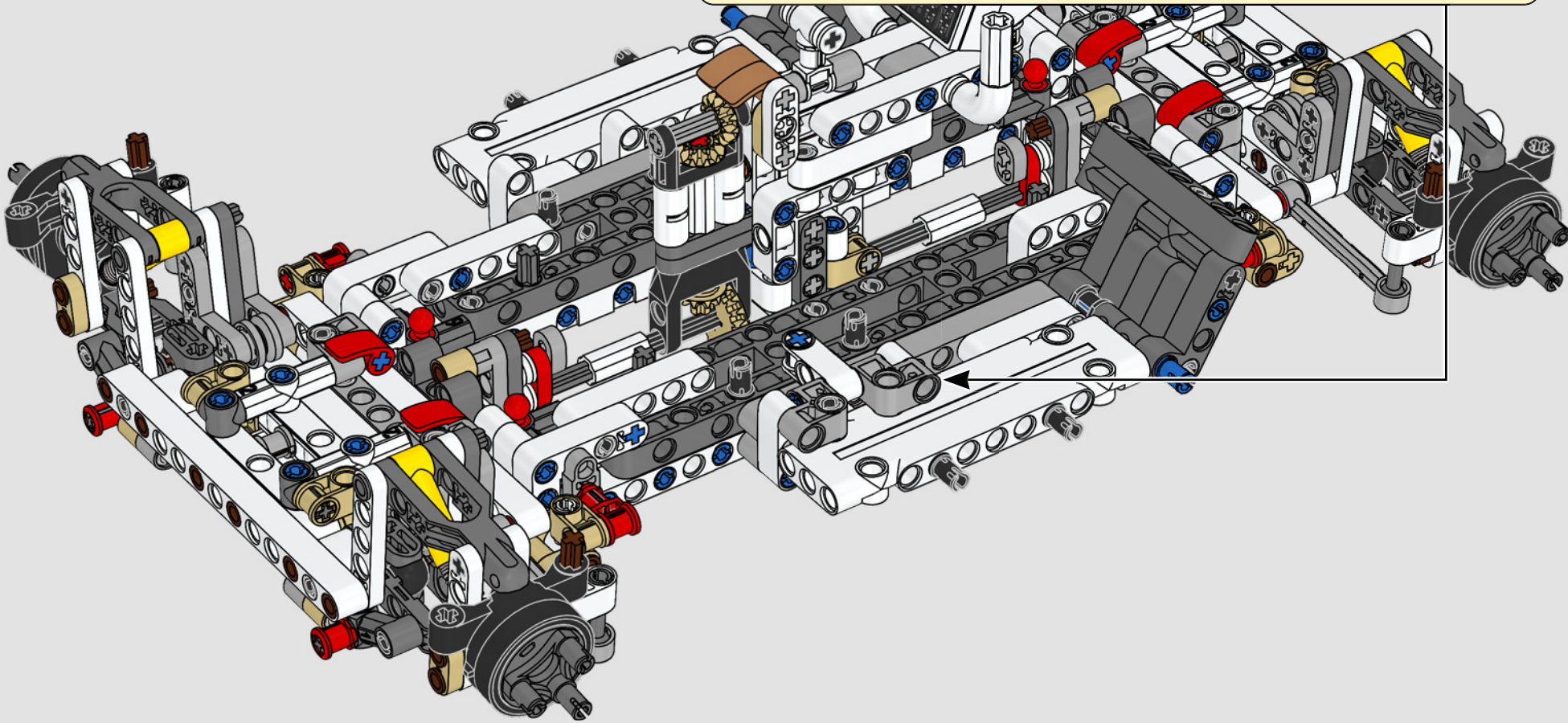
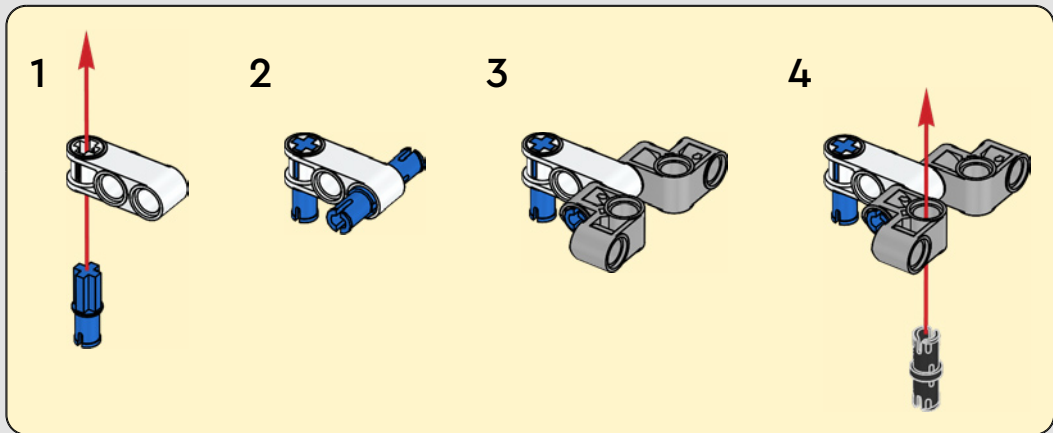


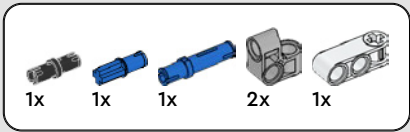
109



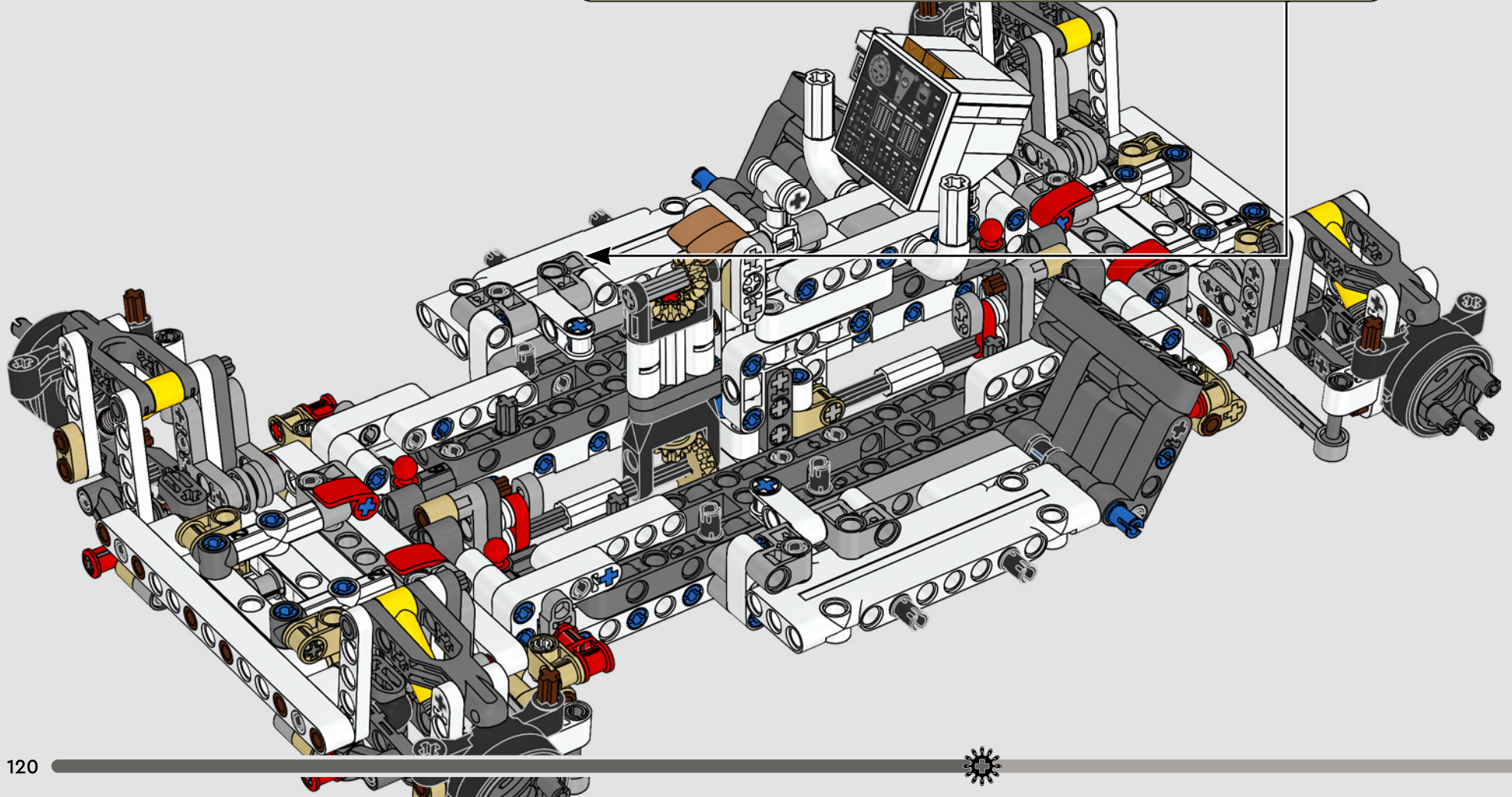
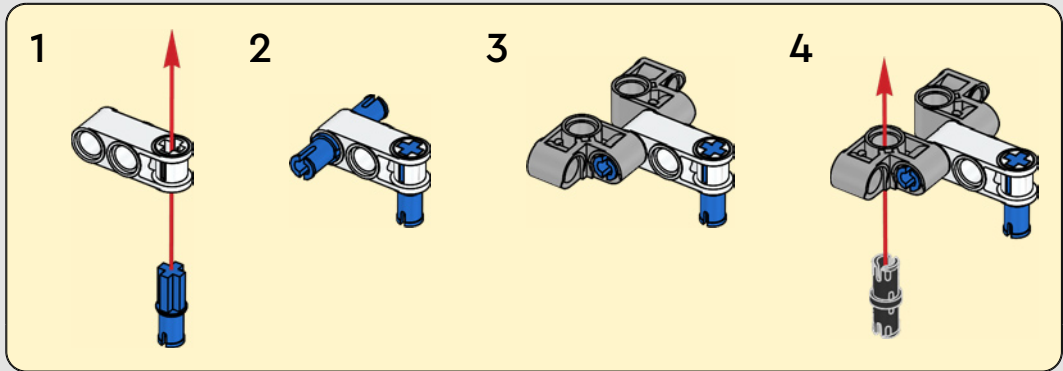


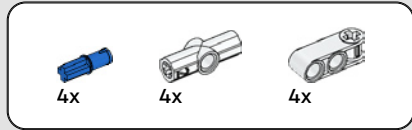
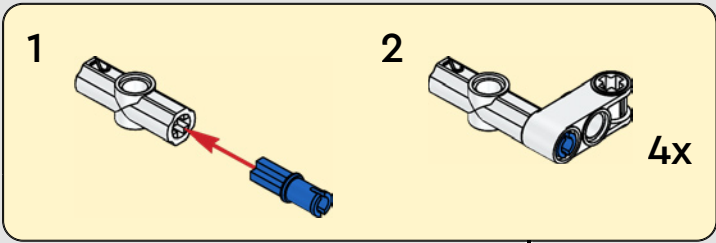
110



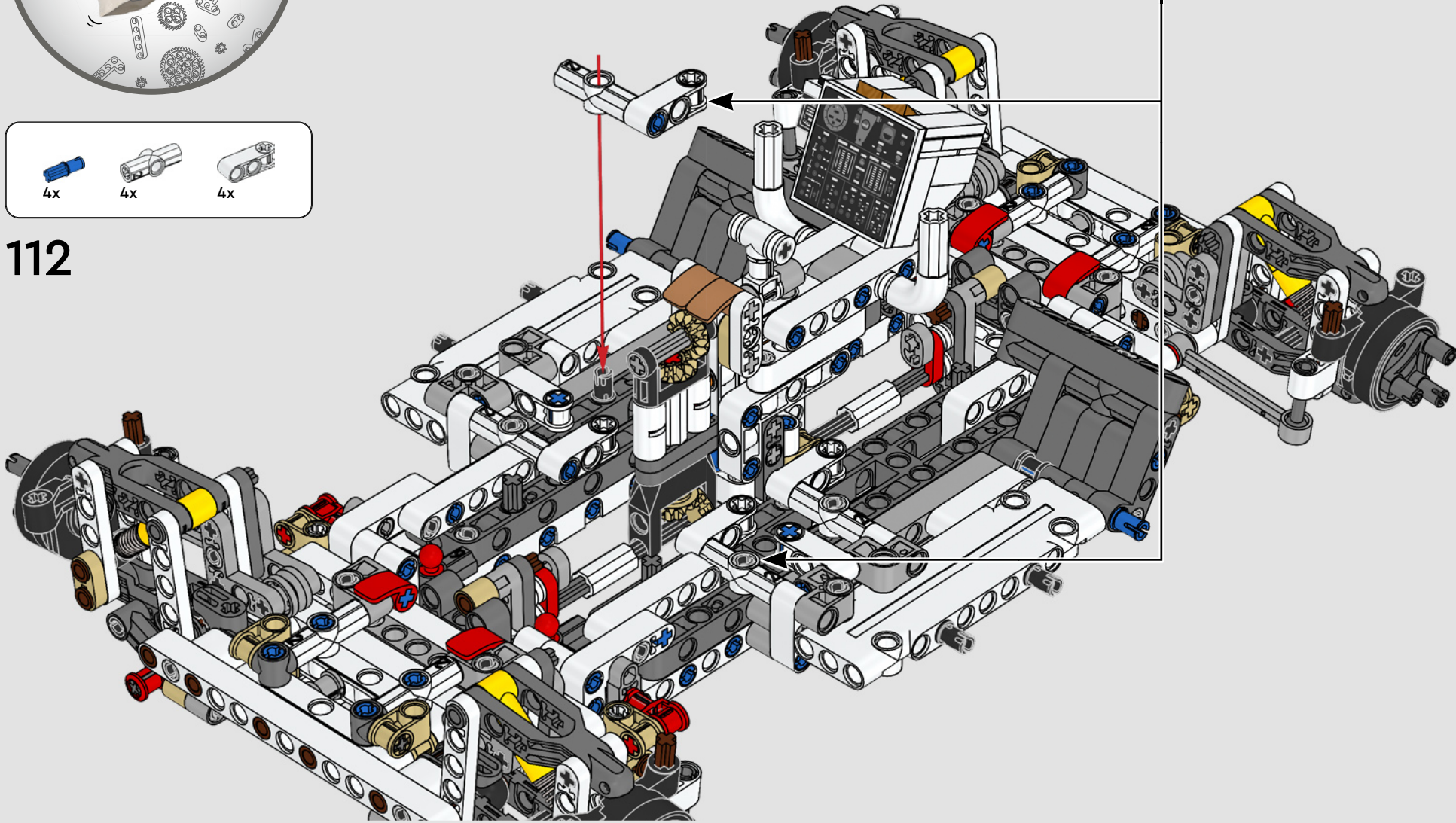


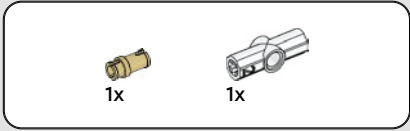
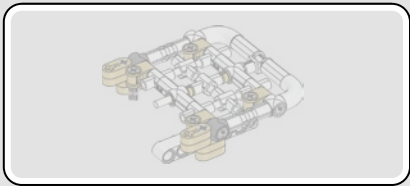
111



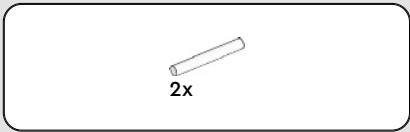
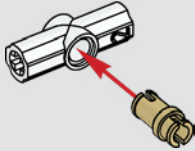


112

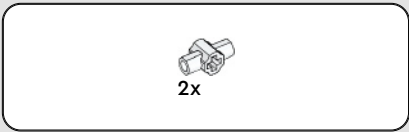
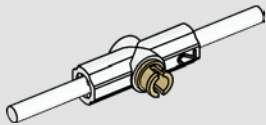




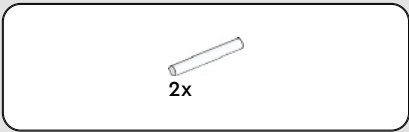
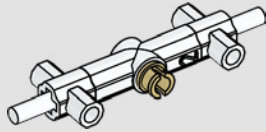
113



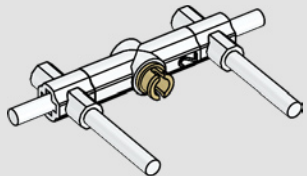
114

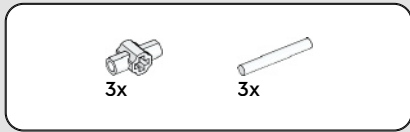


115

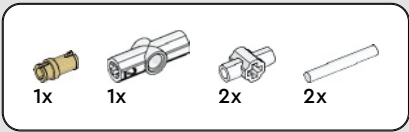
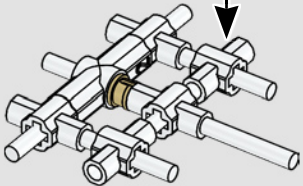
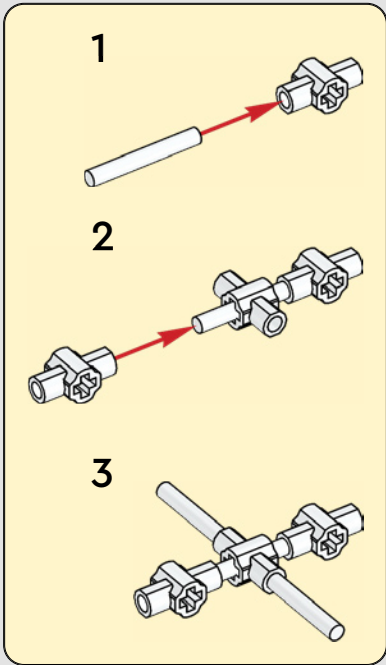


116

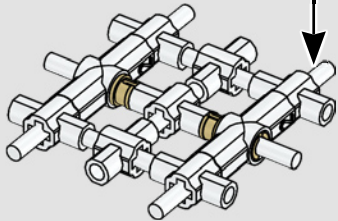
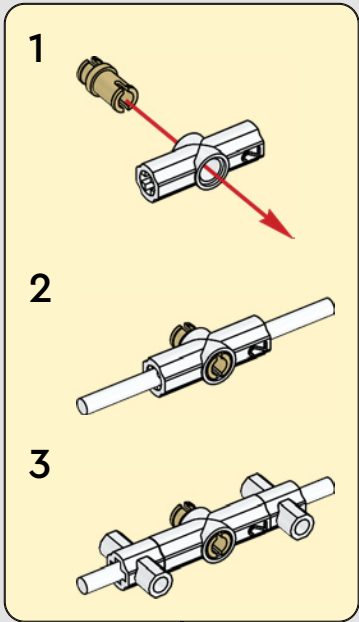


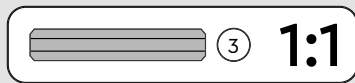
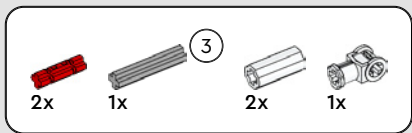


117

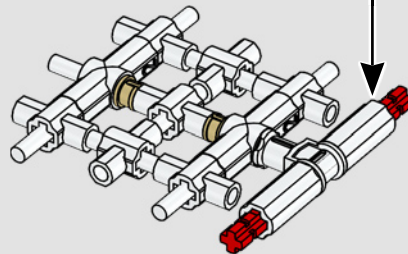
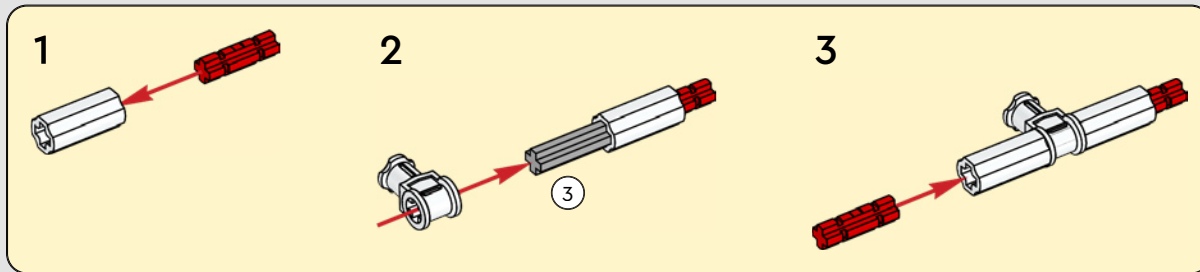


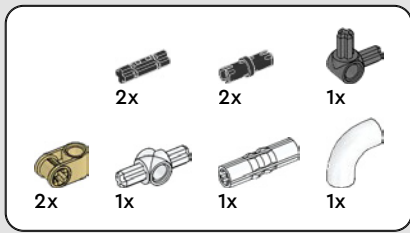
118



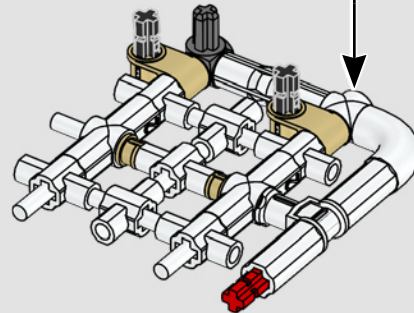
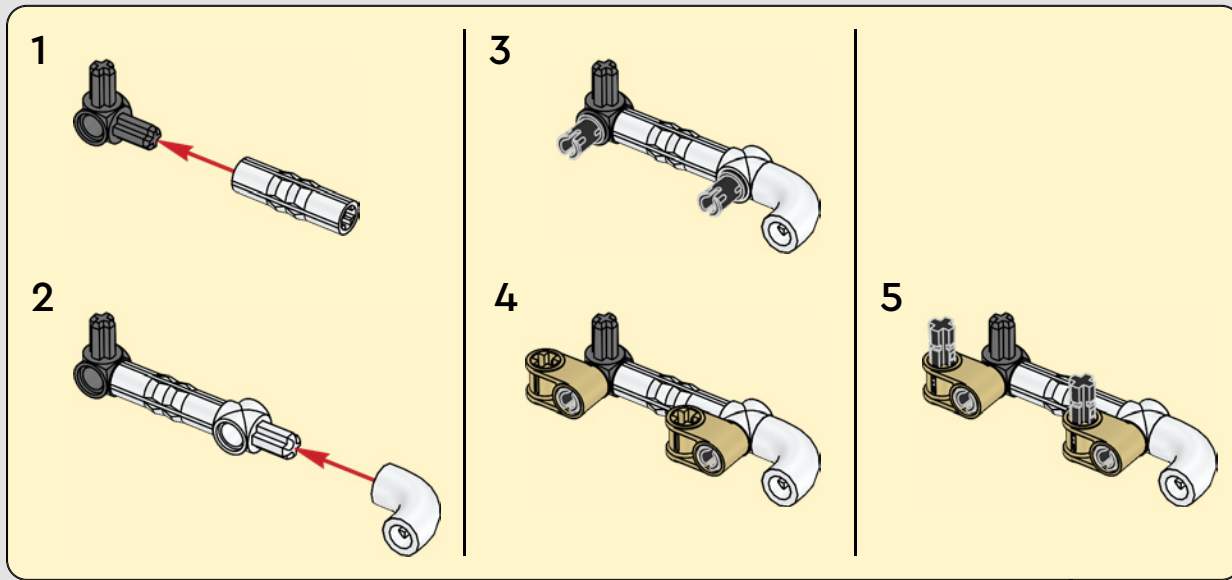


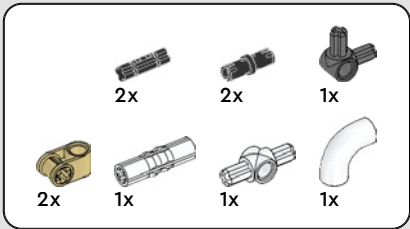
119



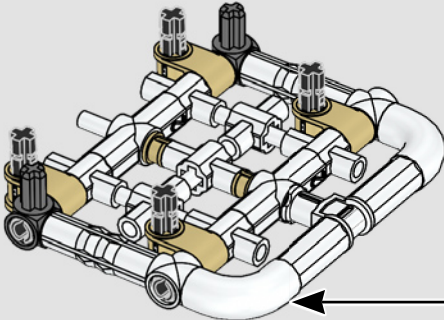
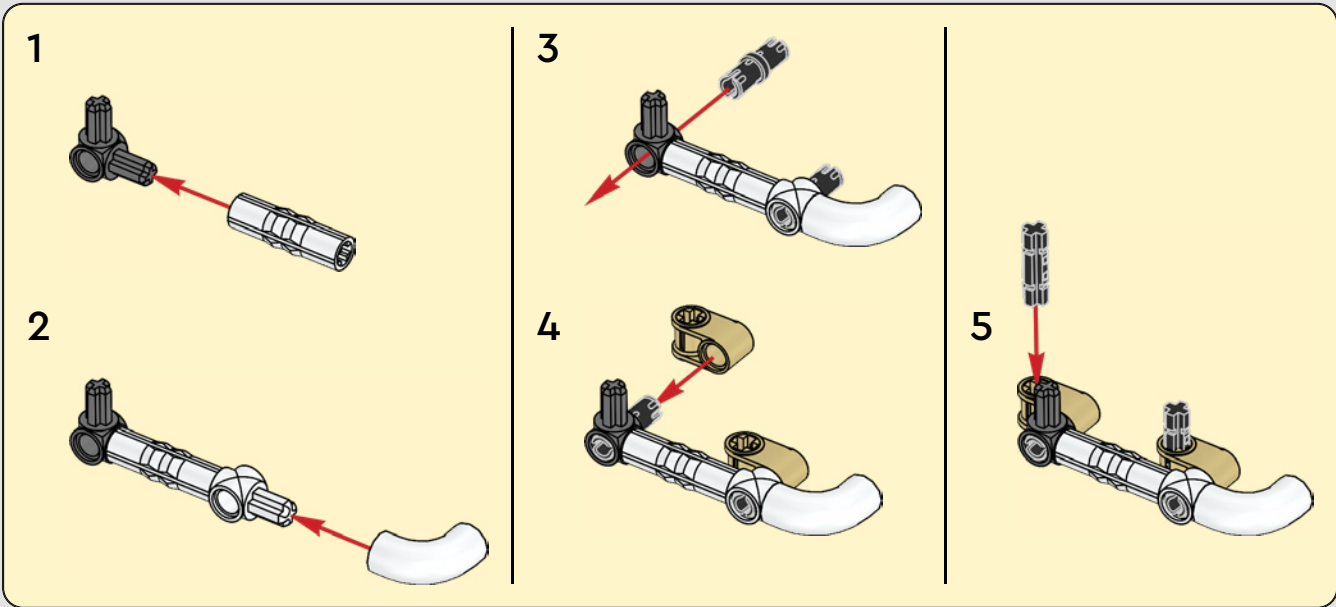


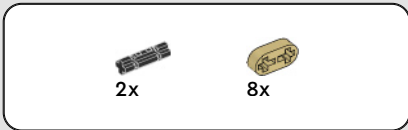
120



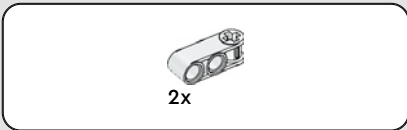
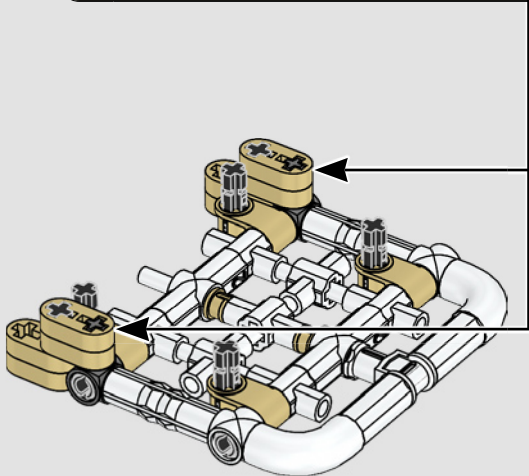
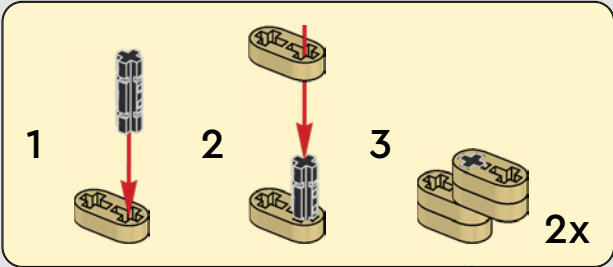


121

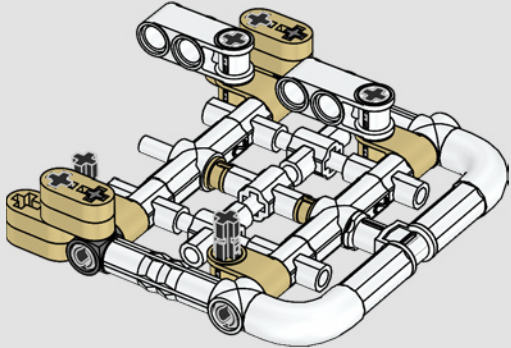




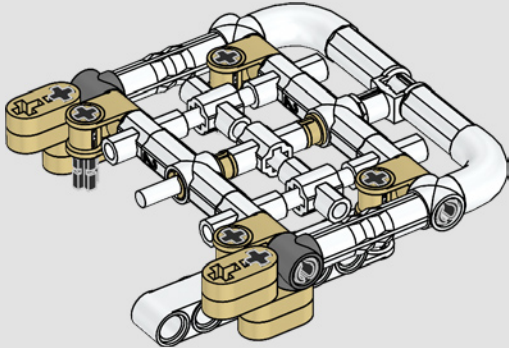
122



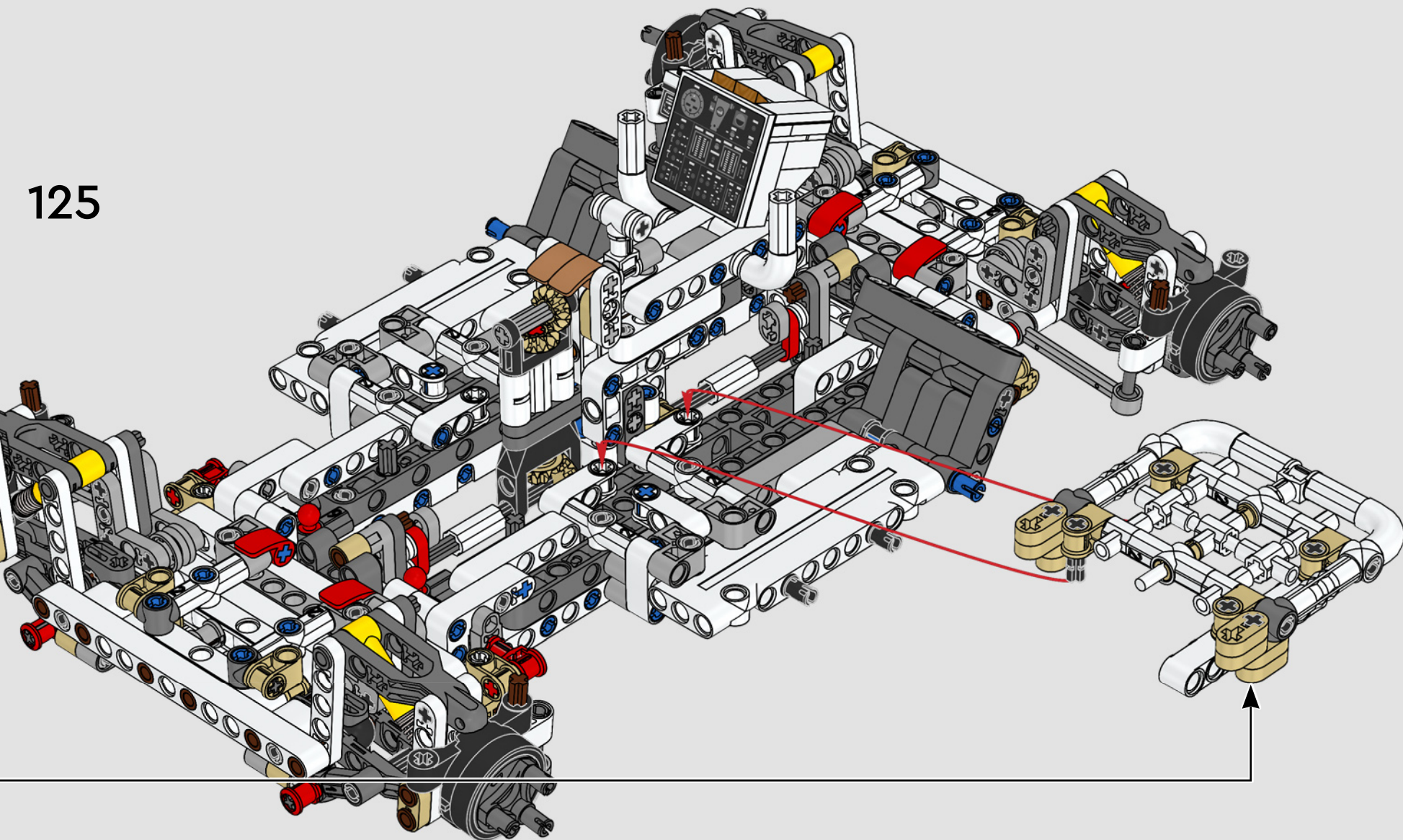
123

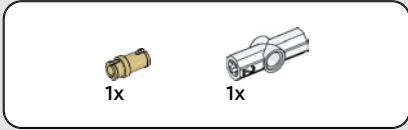
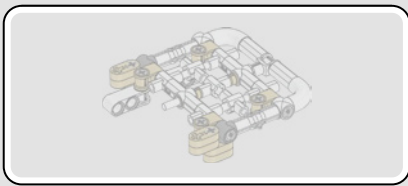


124

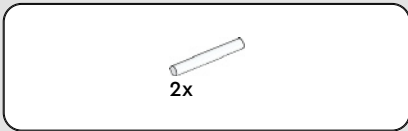
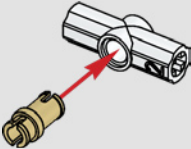


125

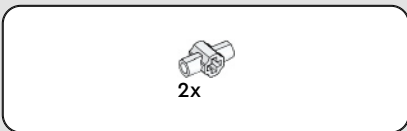
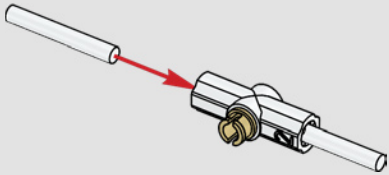




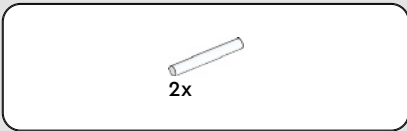
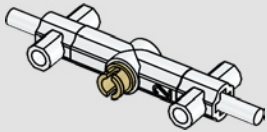
126



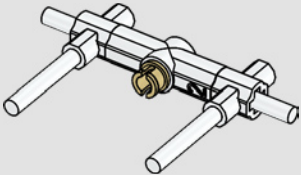
127

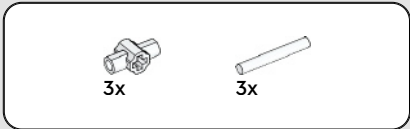


128

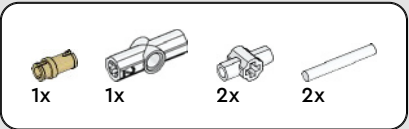
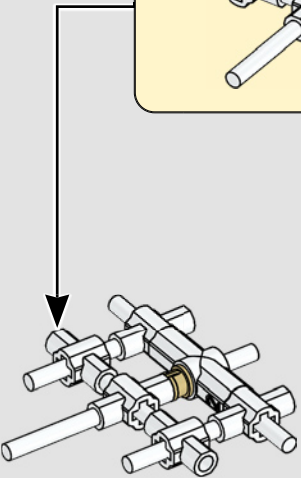
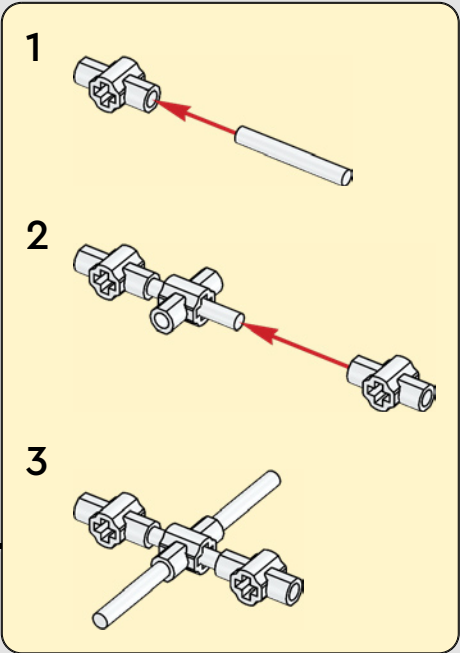


129

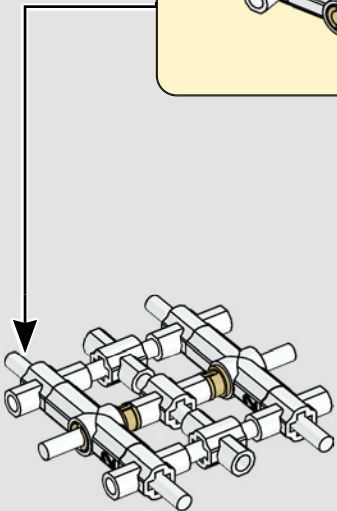
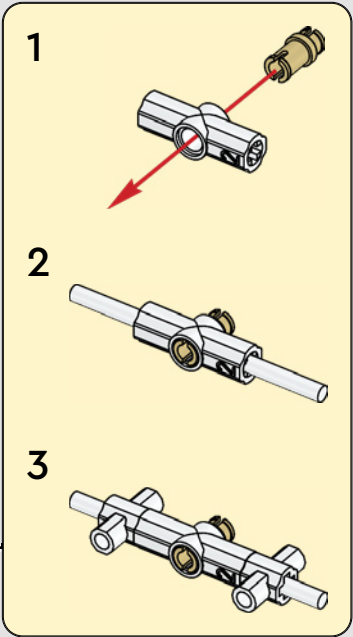


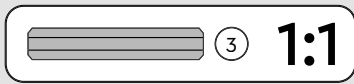
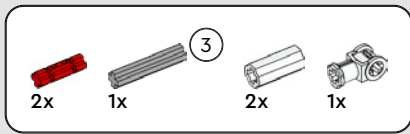


130

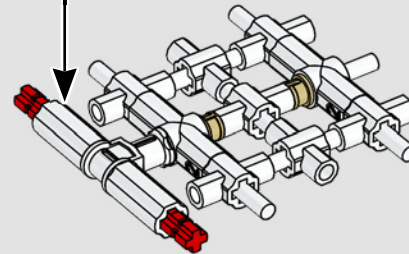
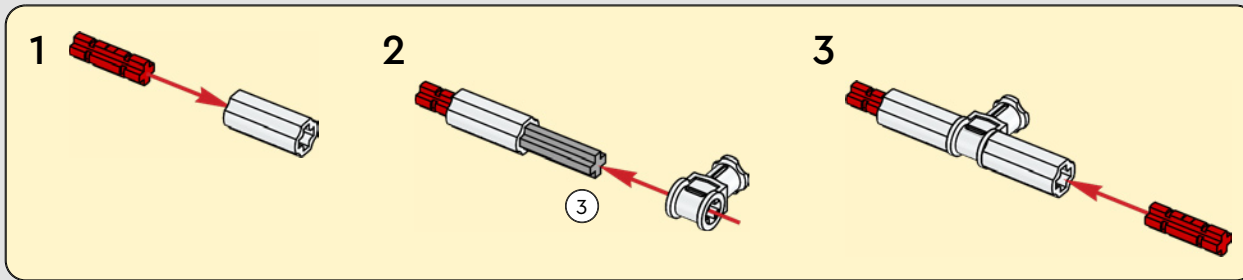


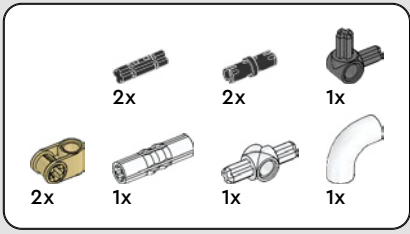
131



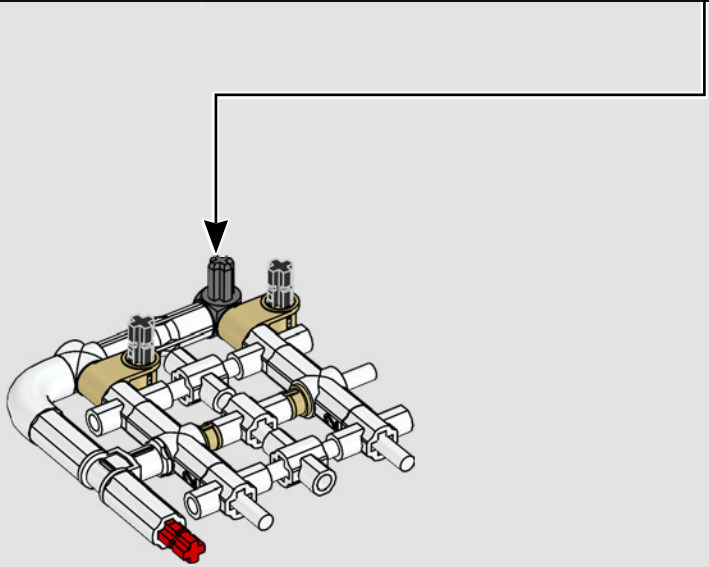
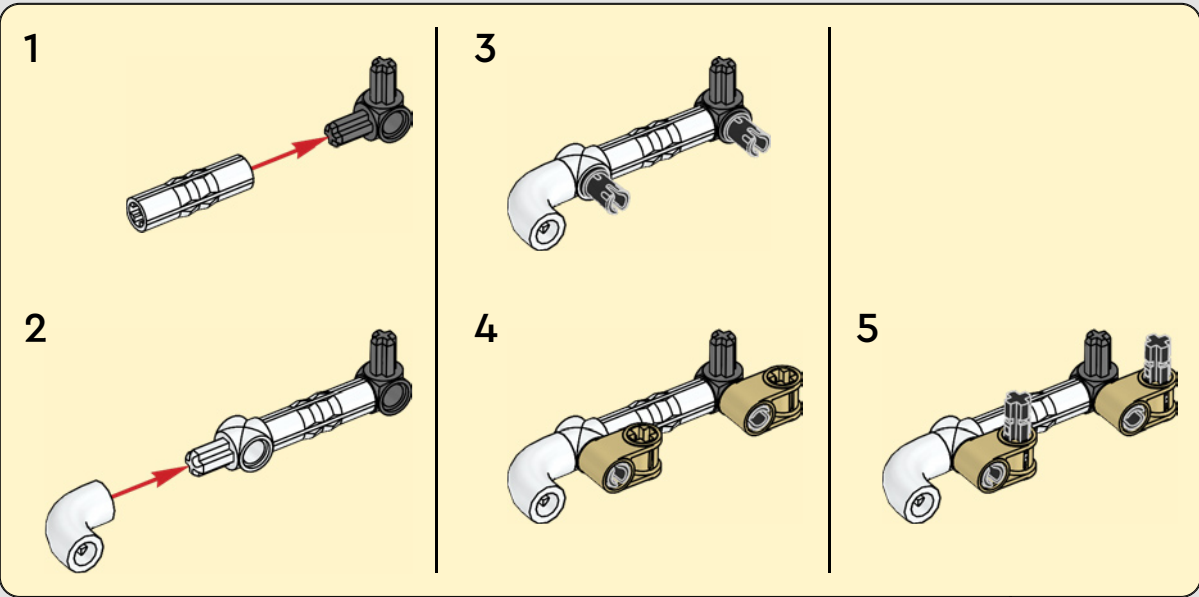


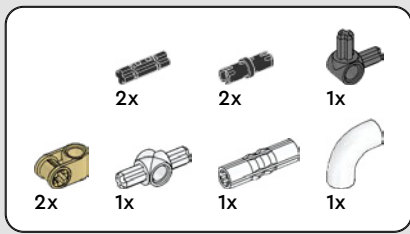
132



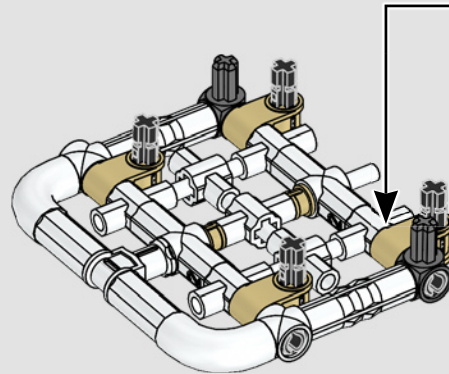
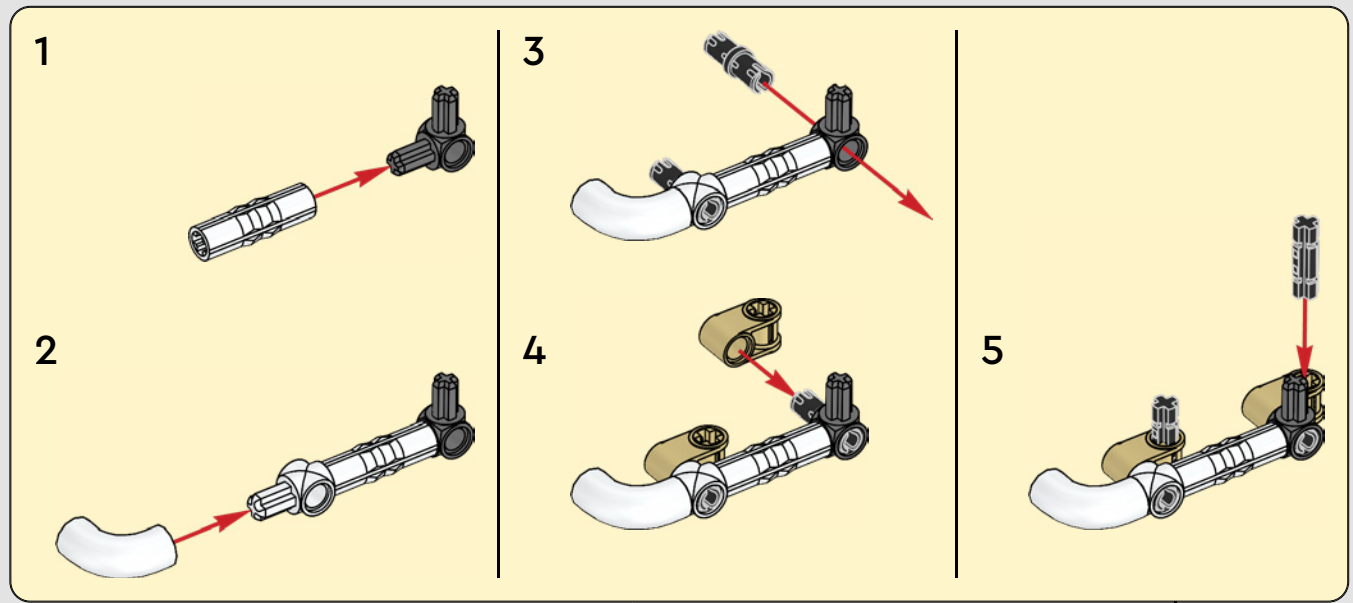


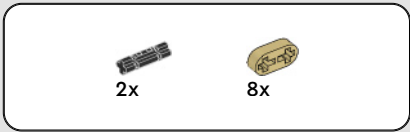
133



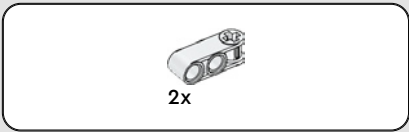
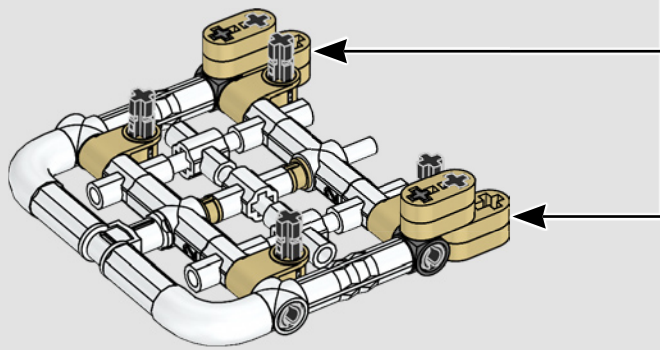
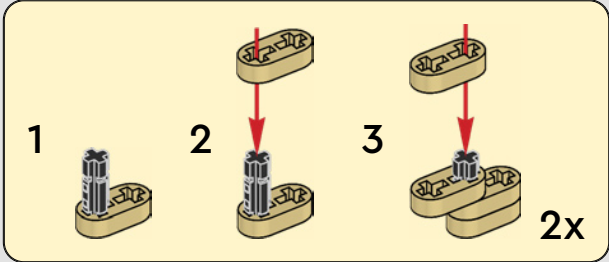


134

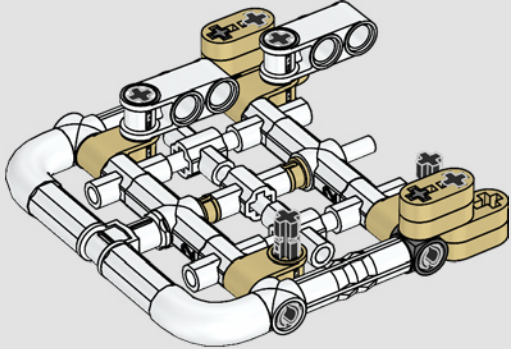




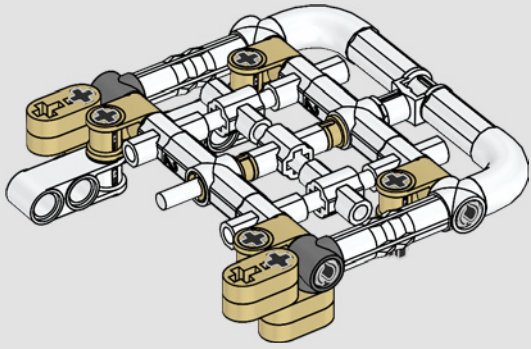
135



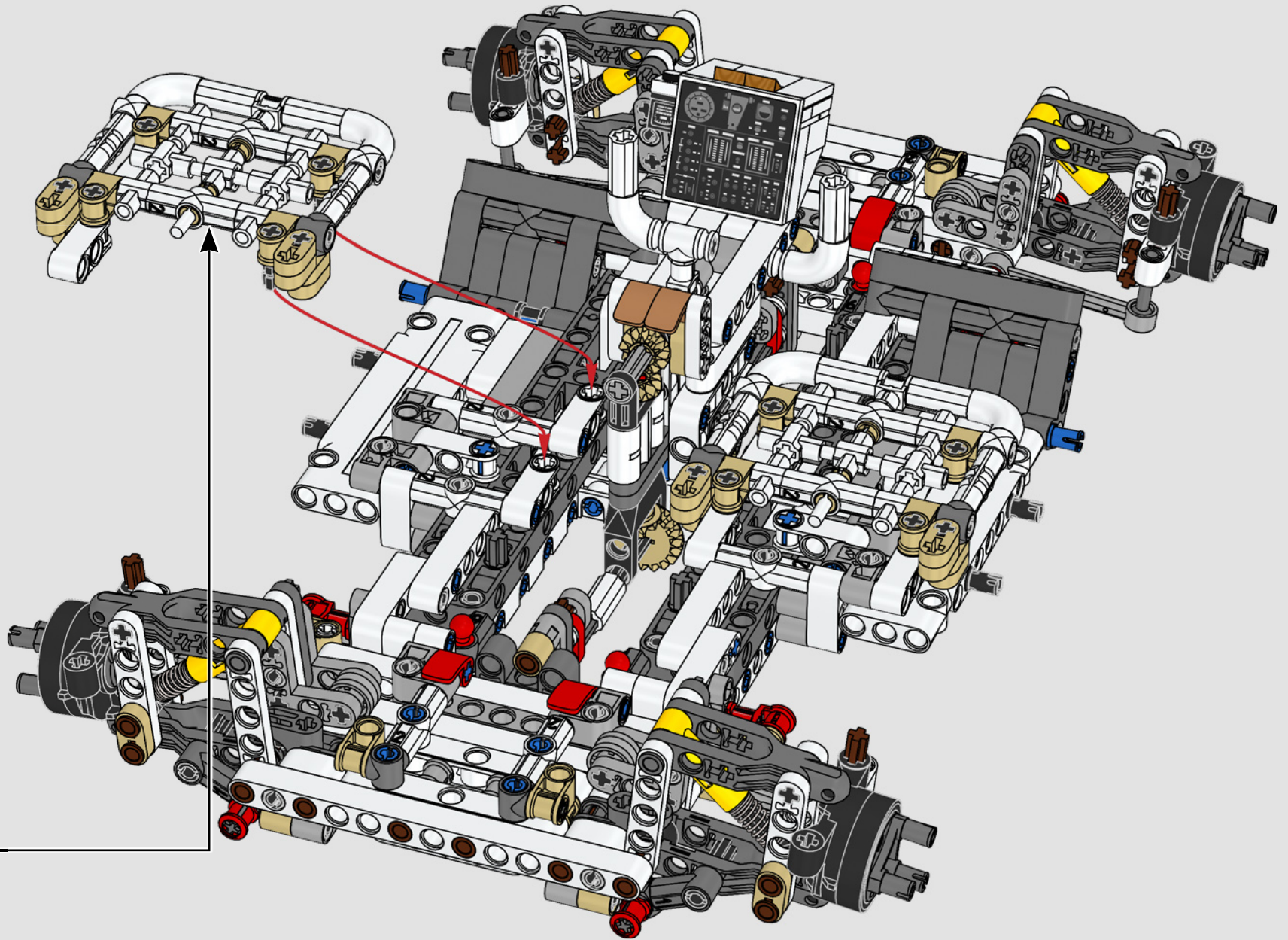
136

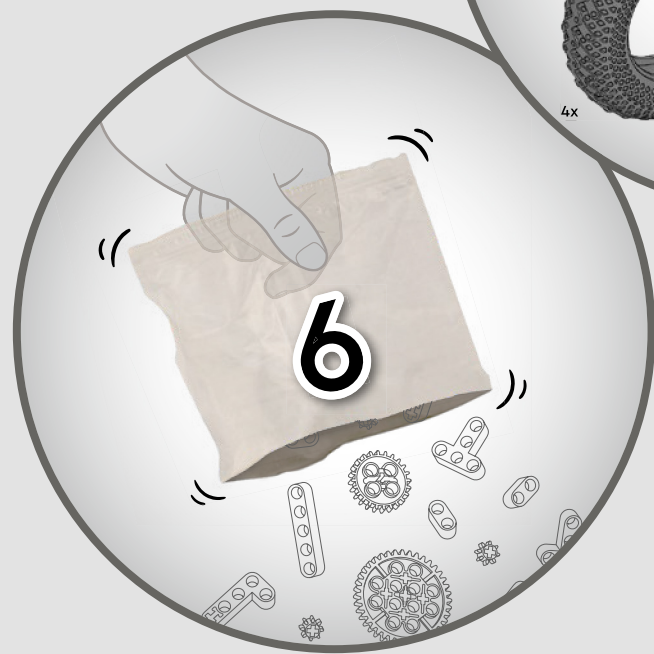
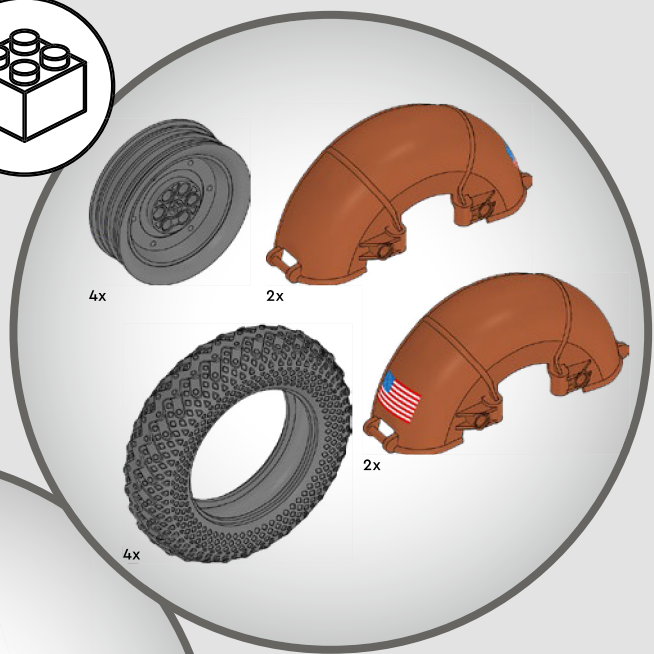
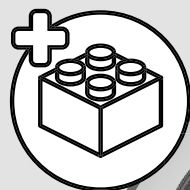


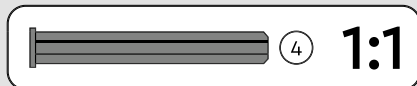
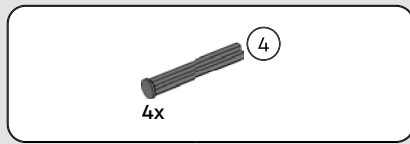
137



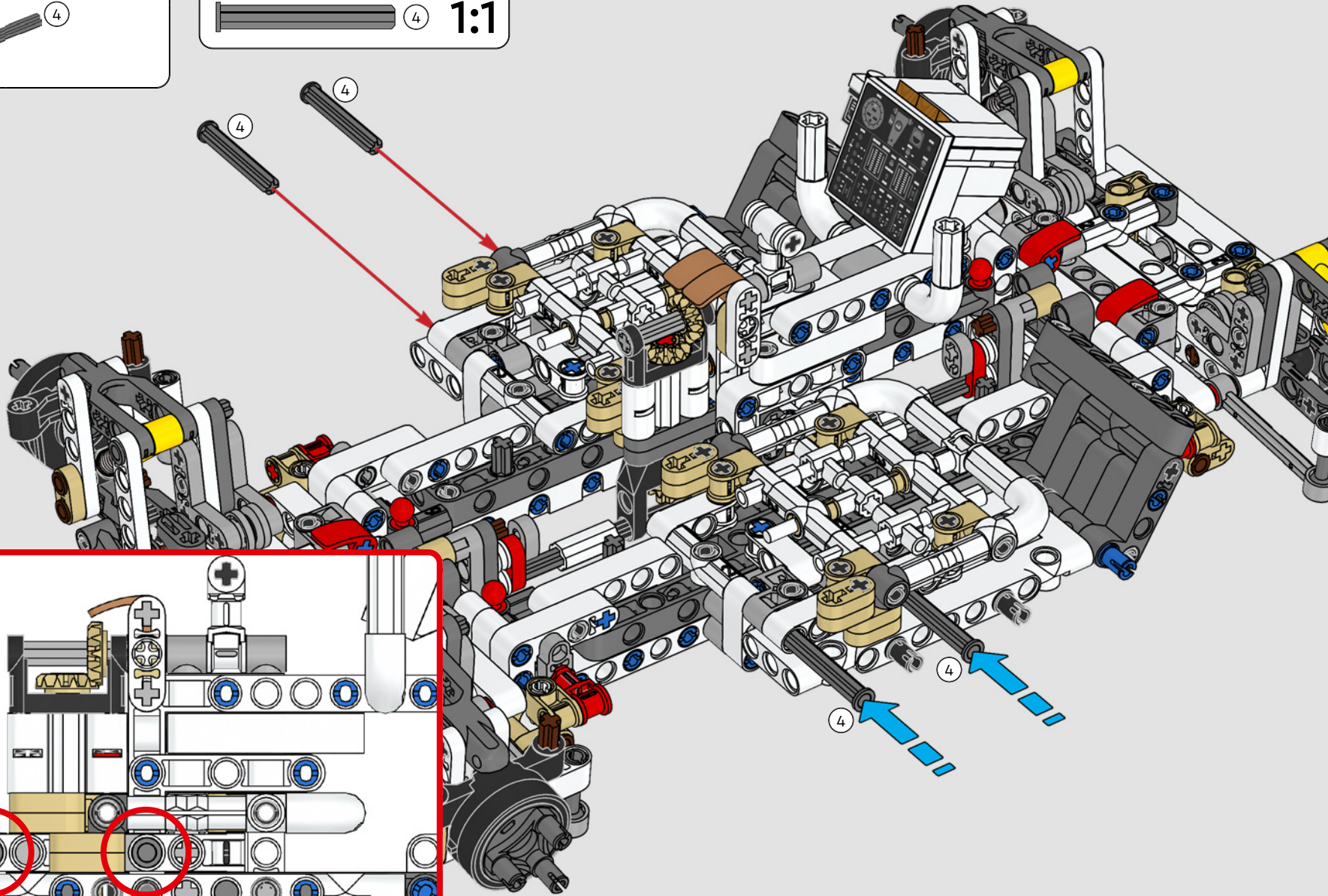
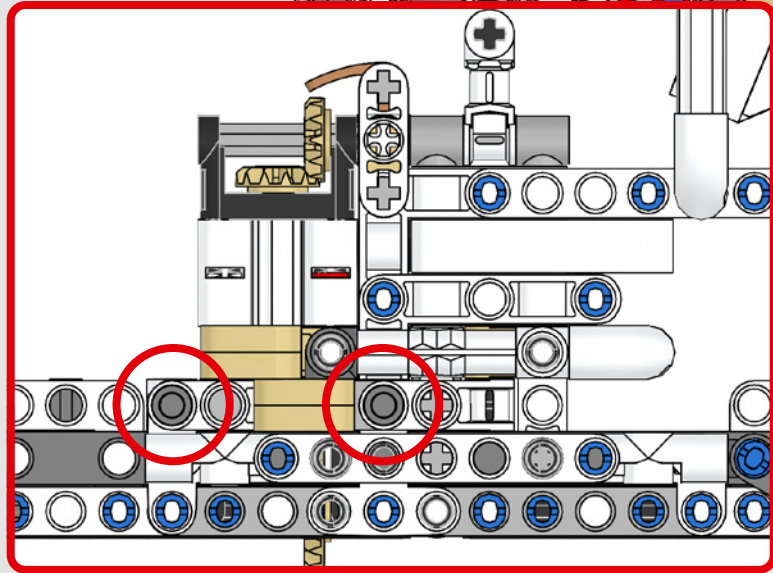
138



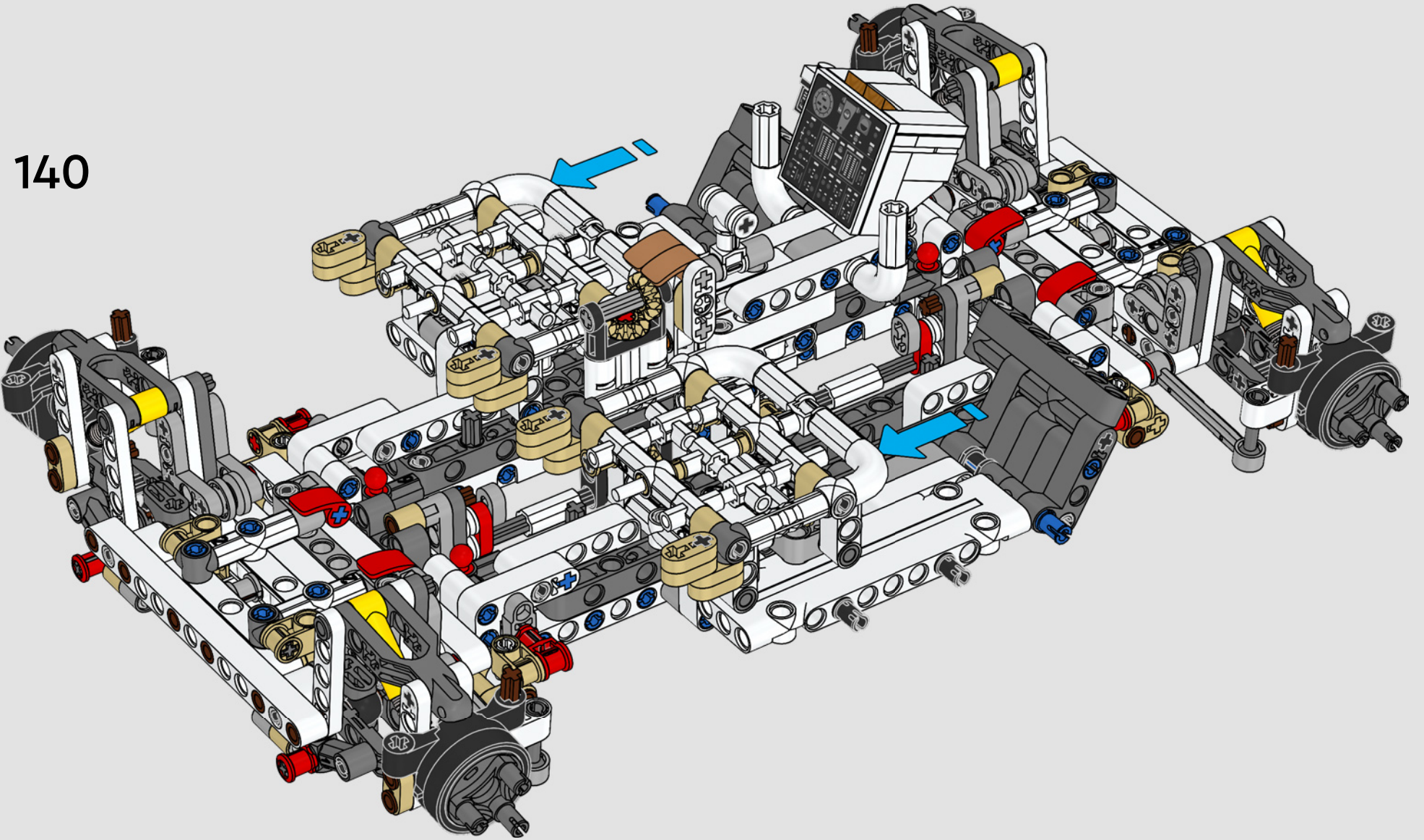


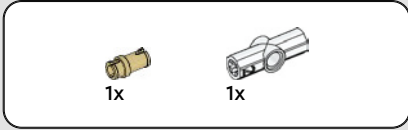
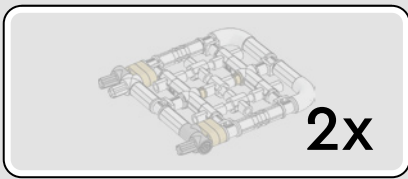


139

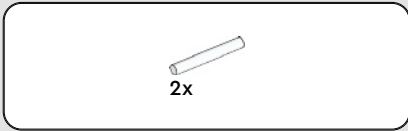
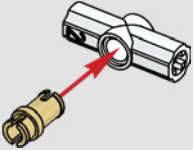


140

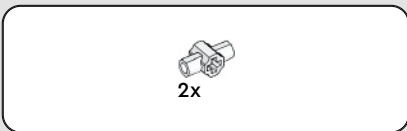
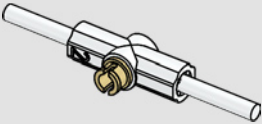




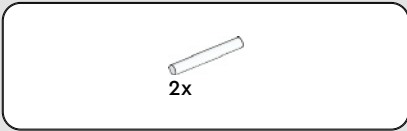
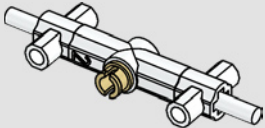
141



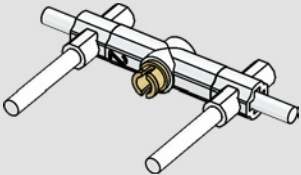
142



143



144



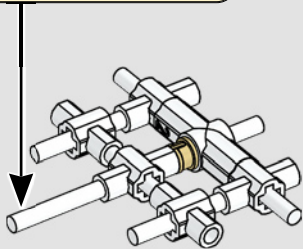
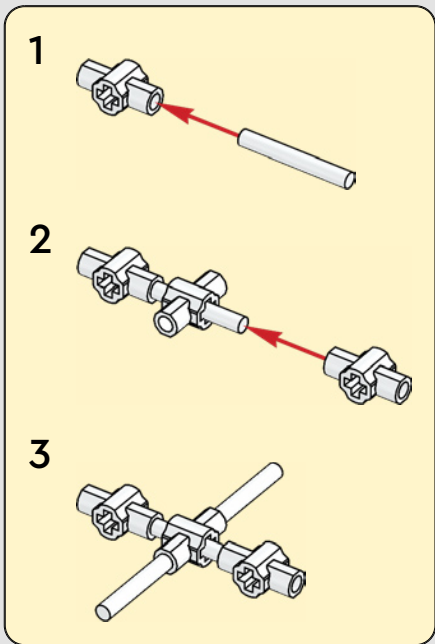


3x



3x

145



1x



1x

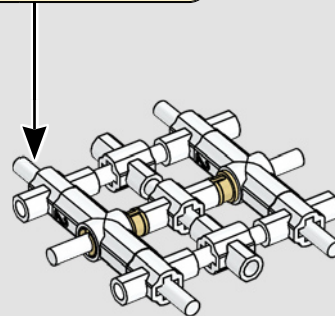
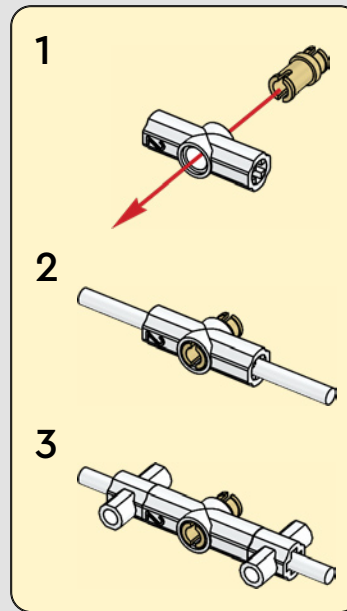


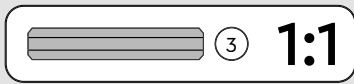
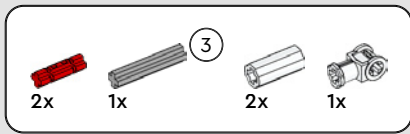
2x



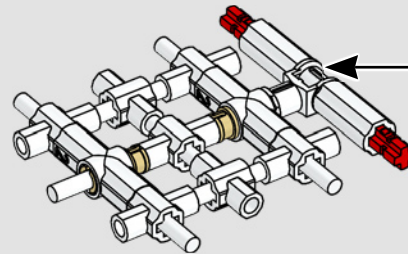
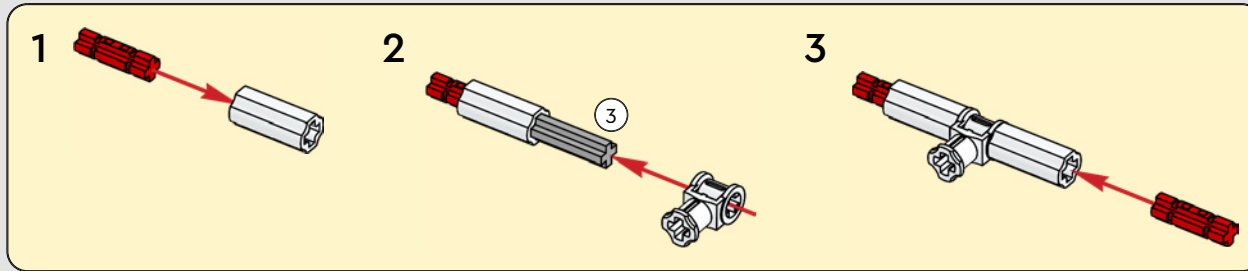
2x

146

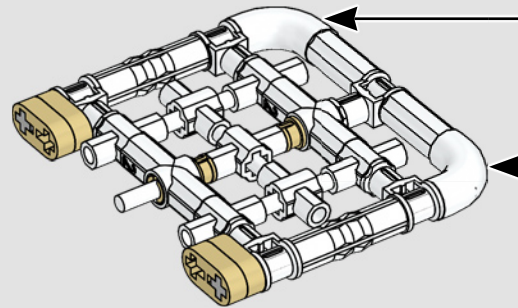
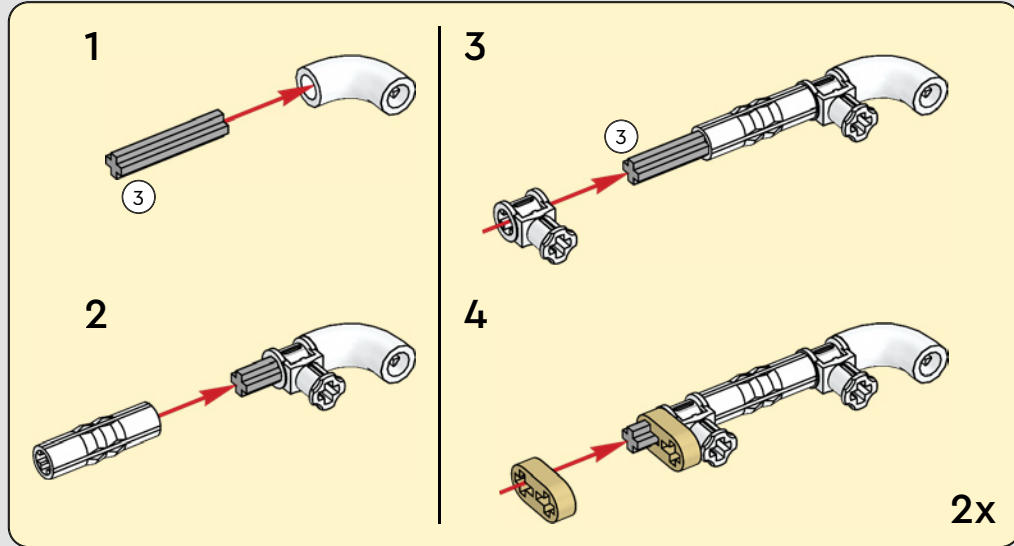
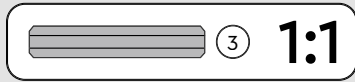
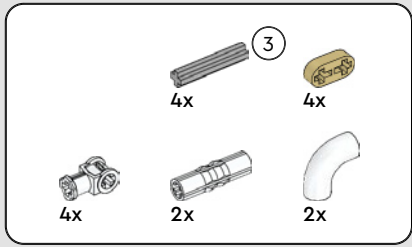


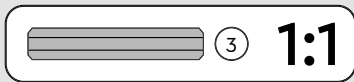
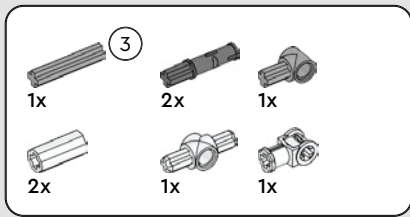


147

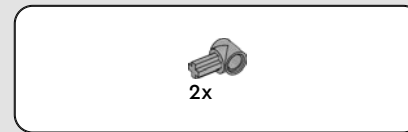
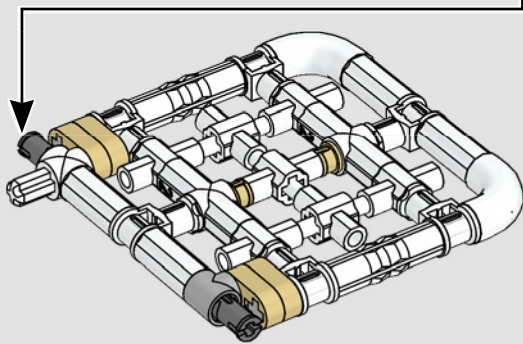
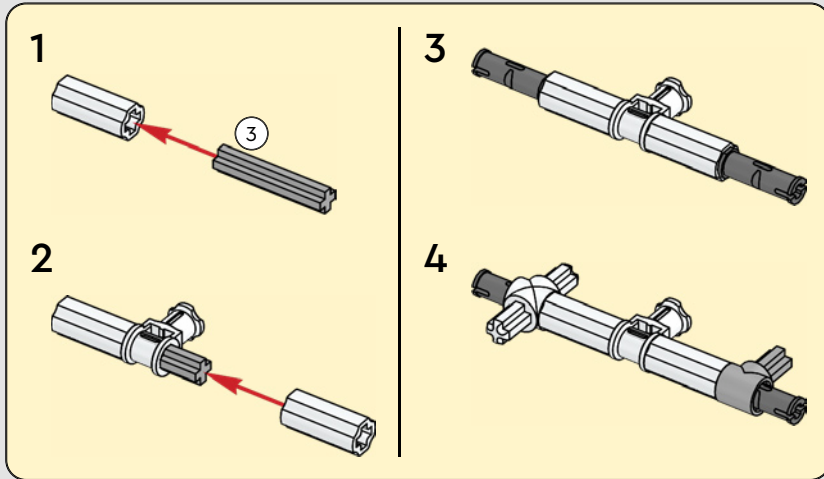


148

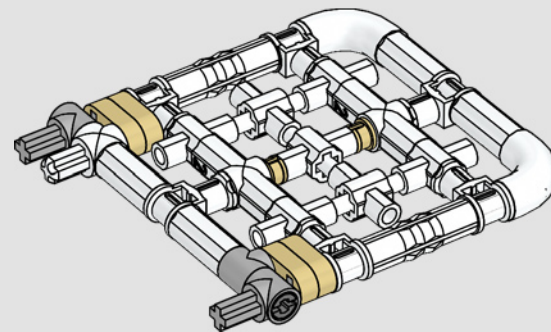




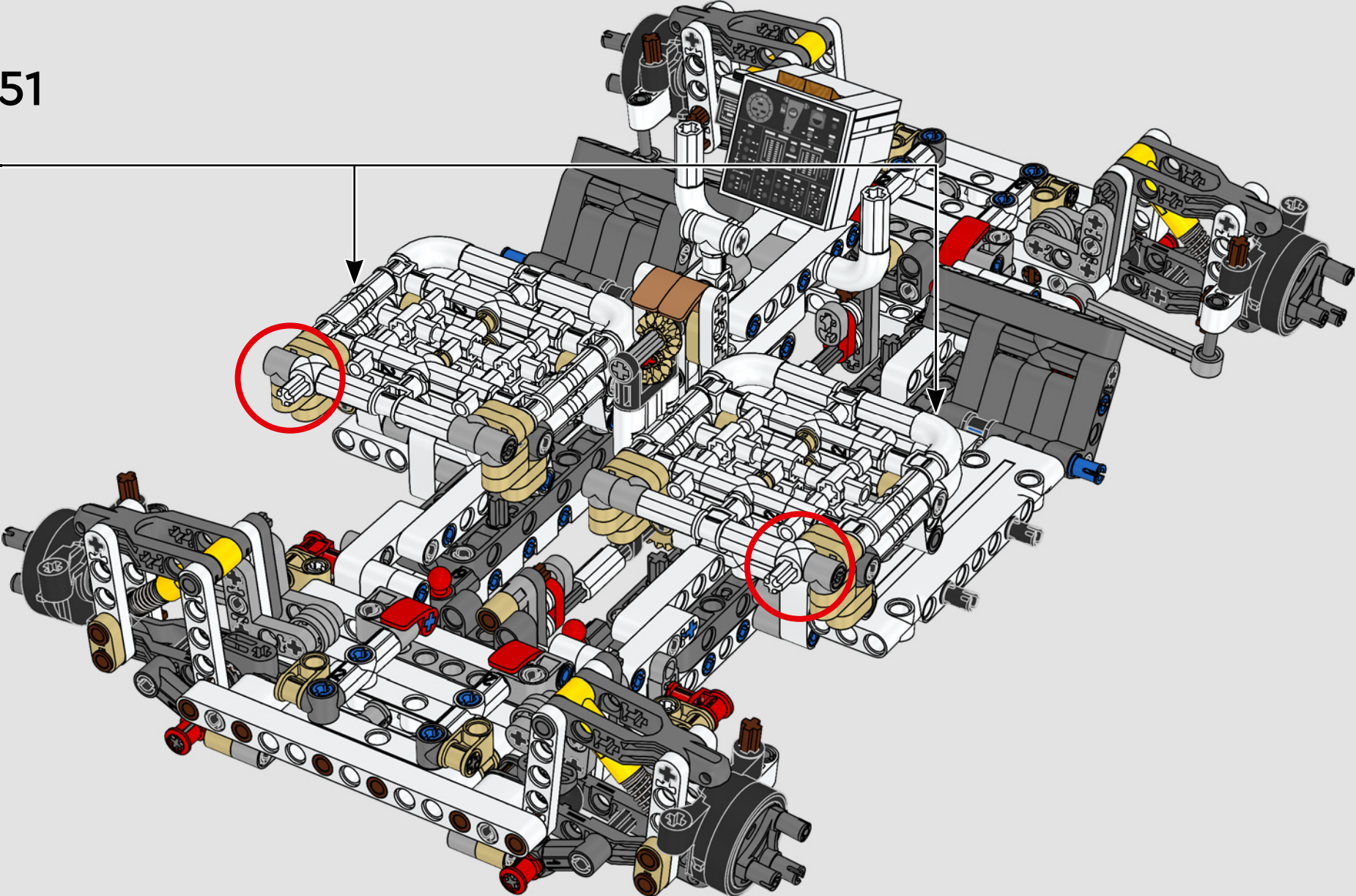
149



150



2x



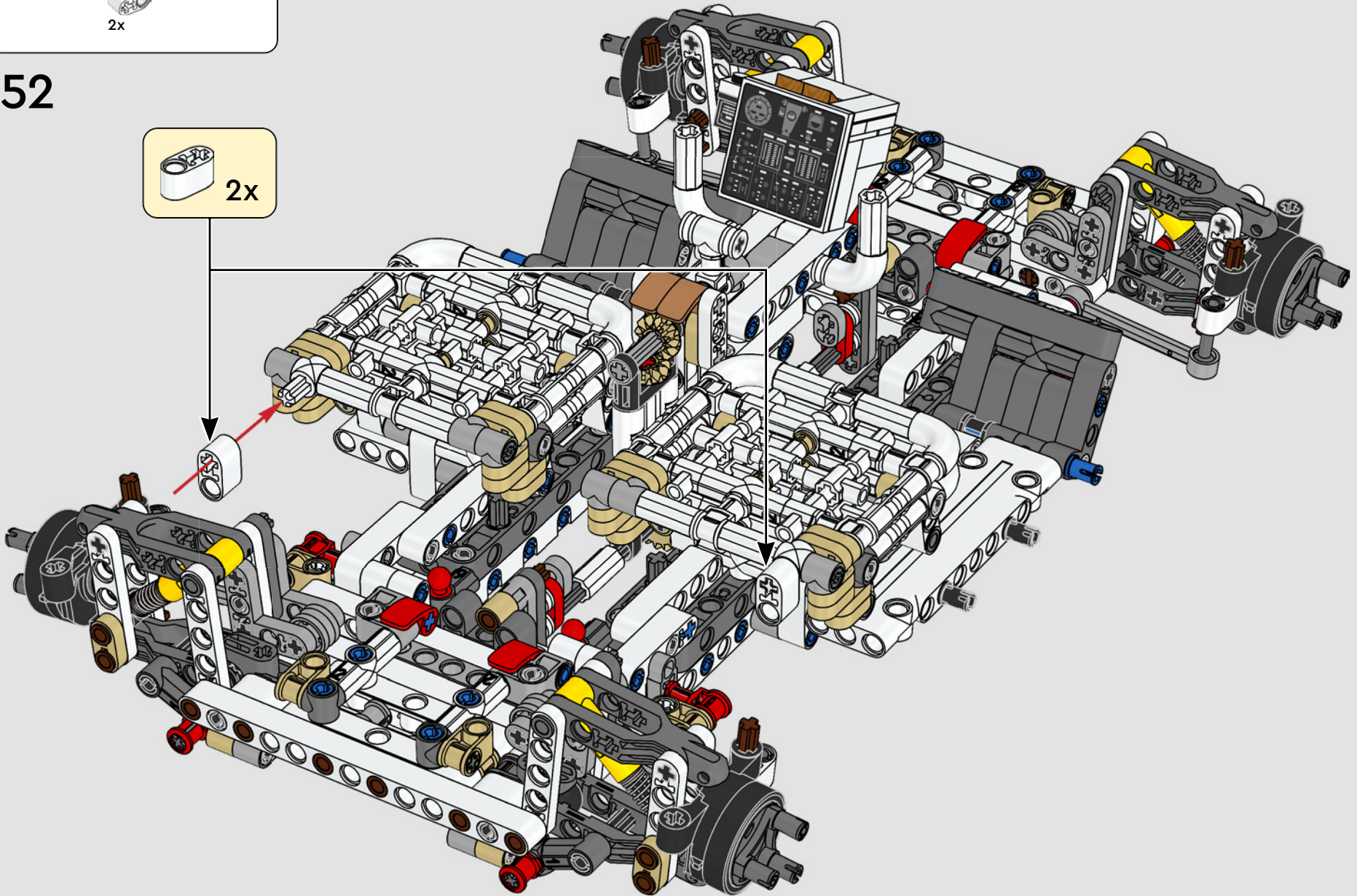


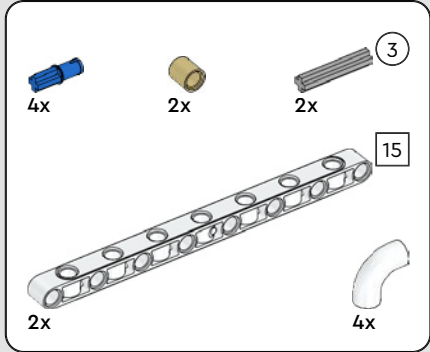
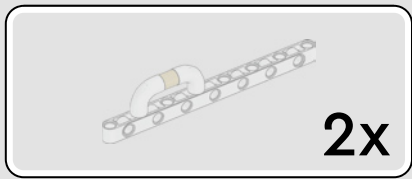
2x

152

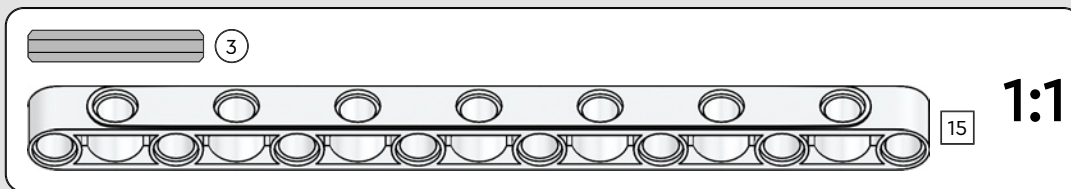
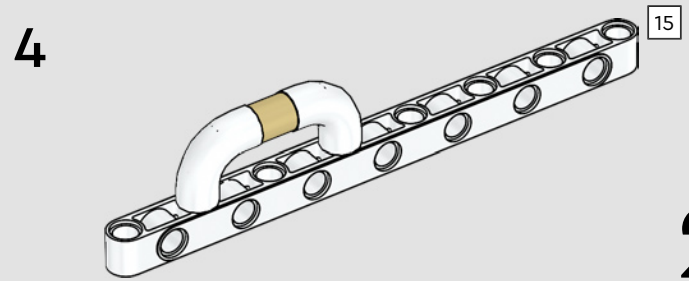
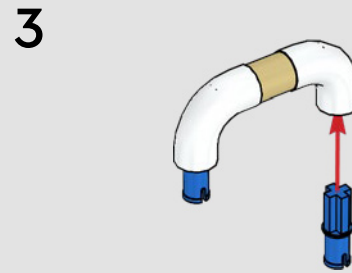
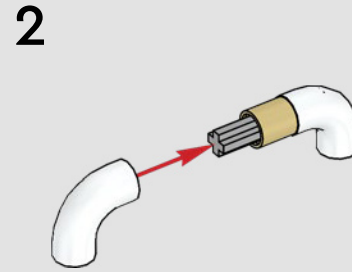
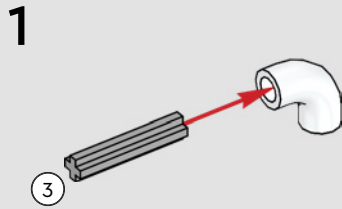


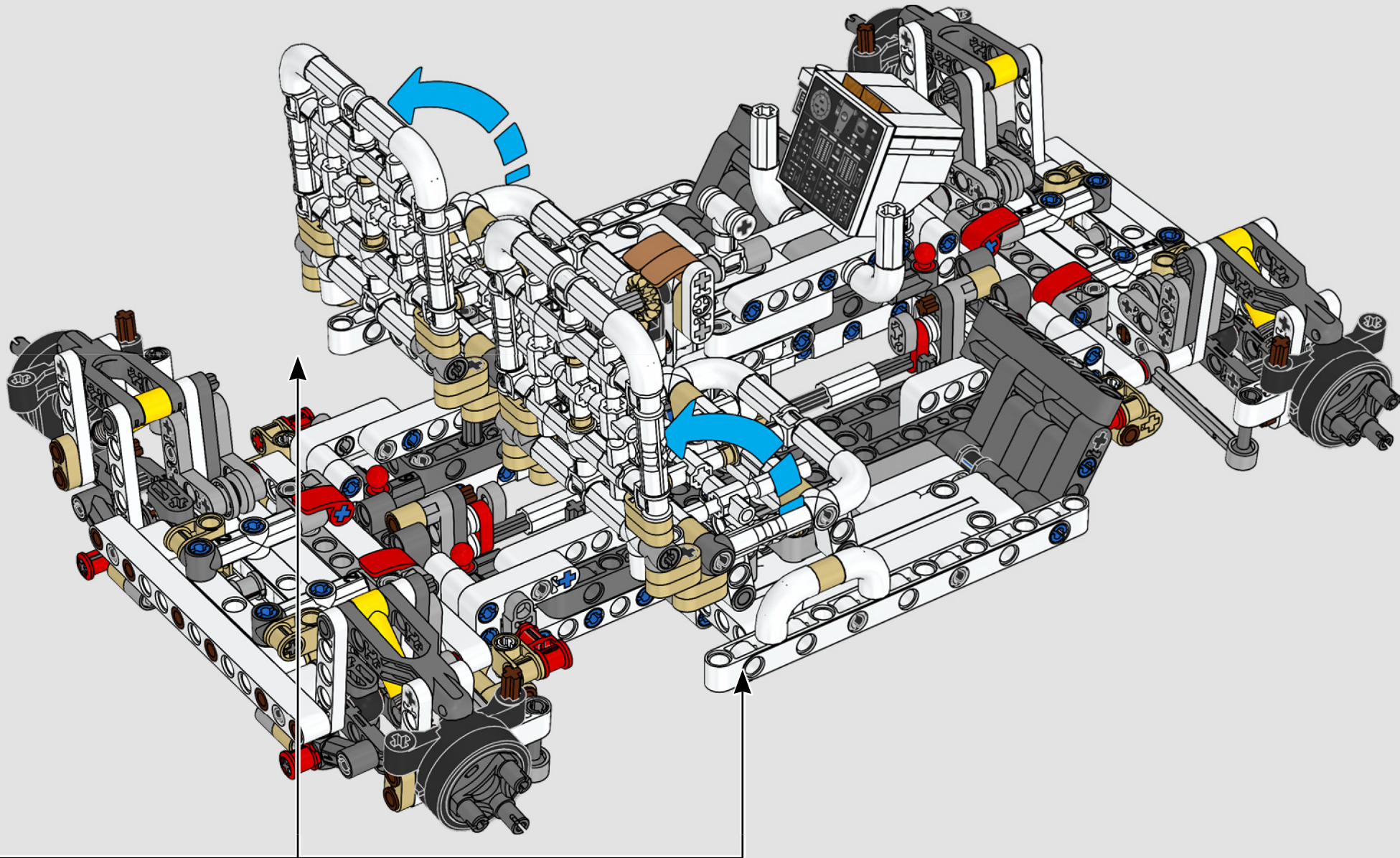
2x





153





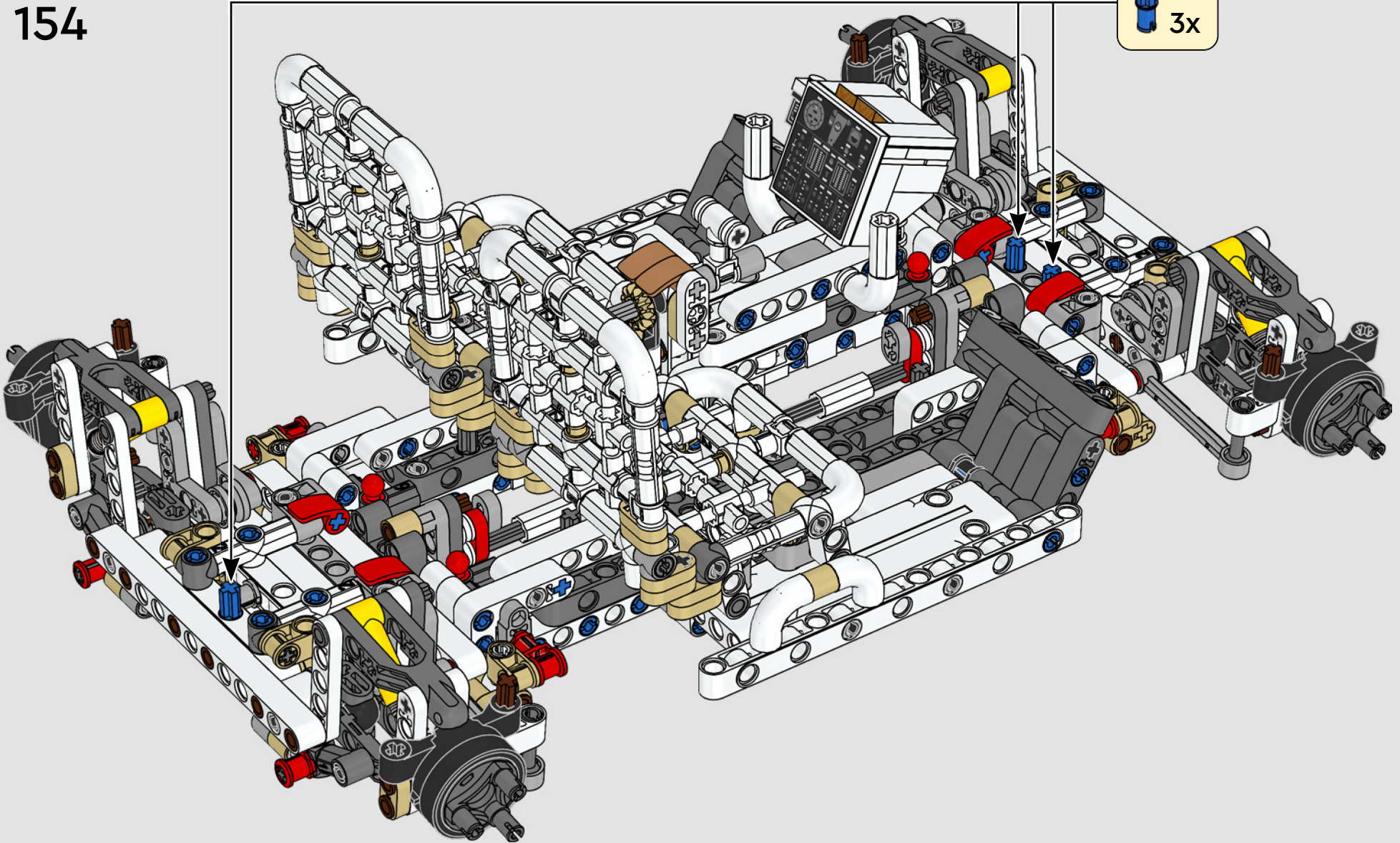


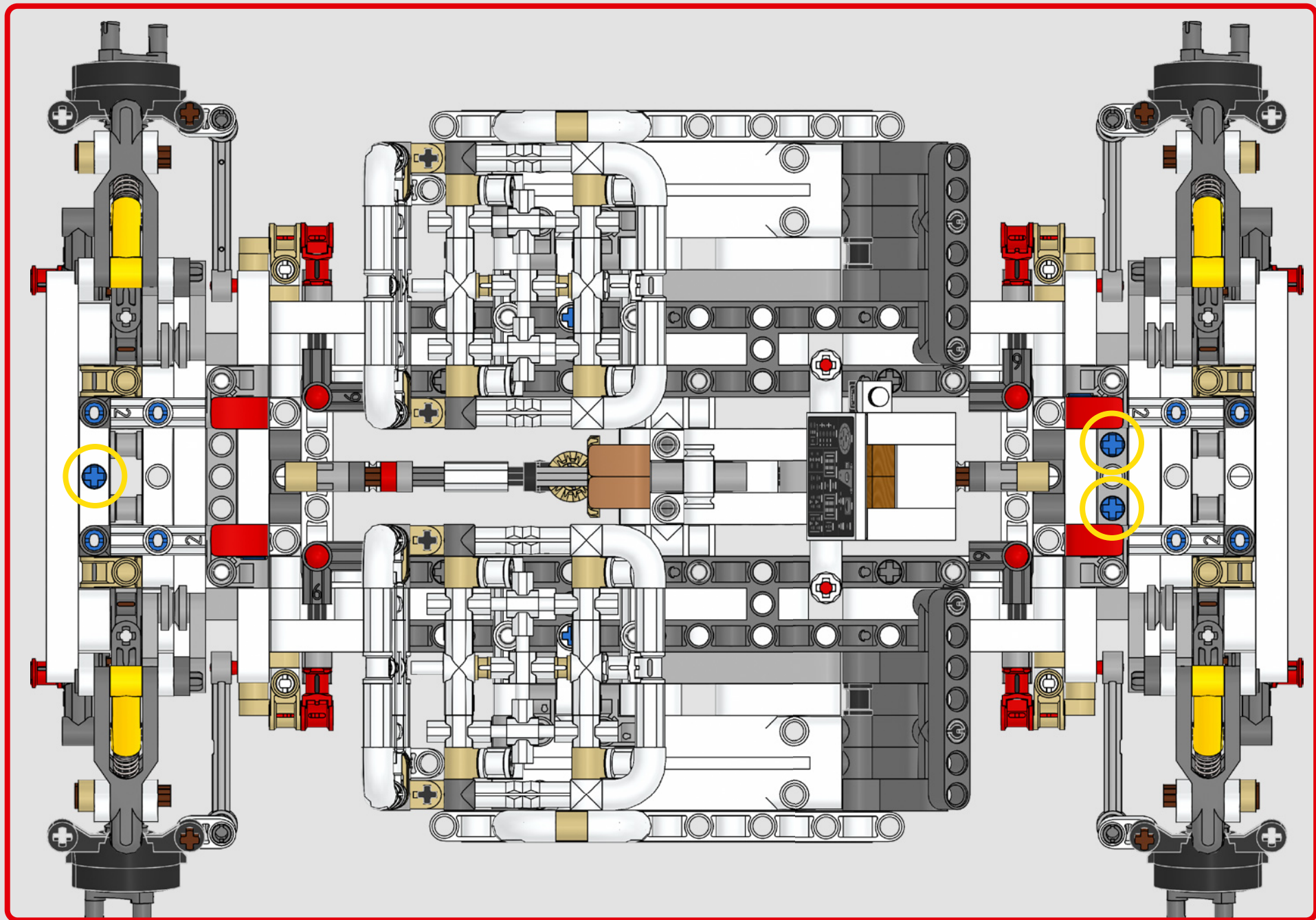
3x

154

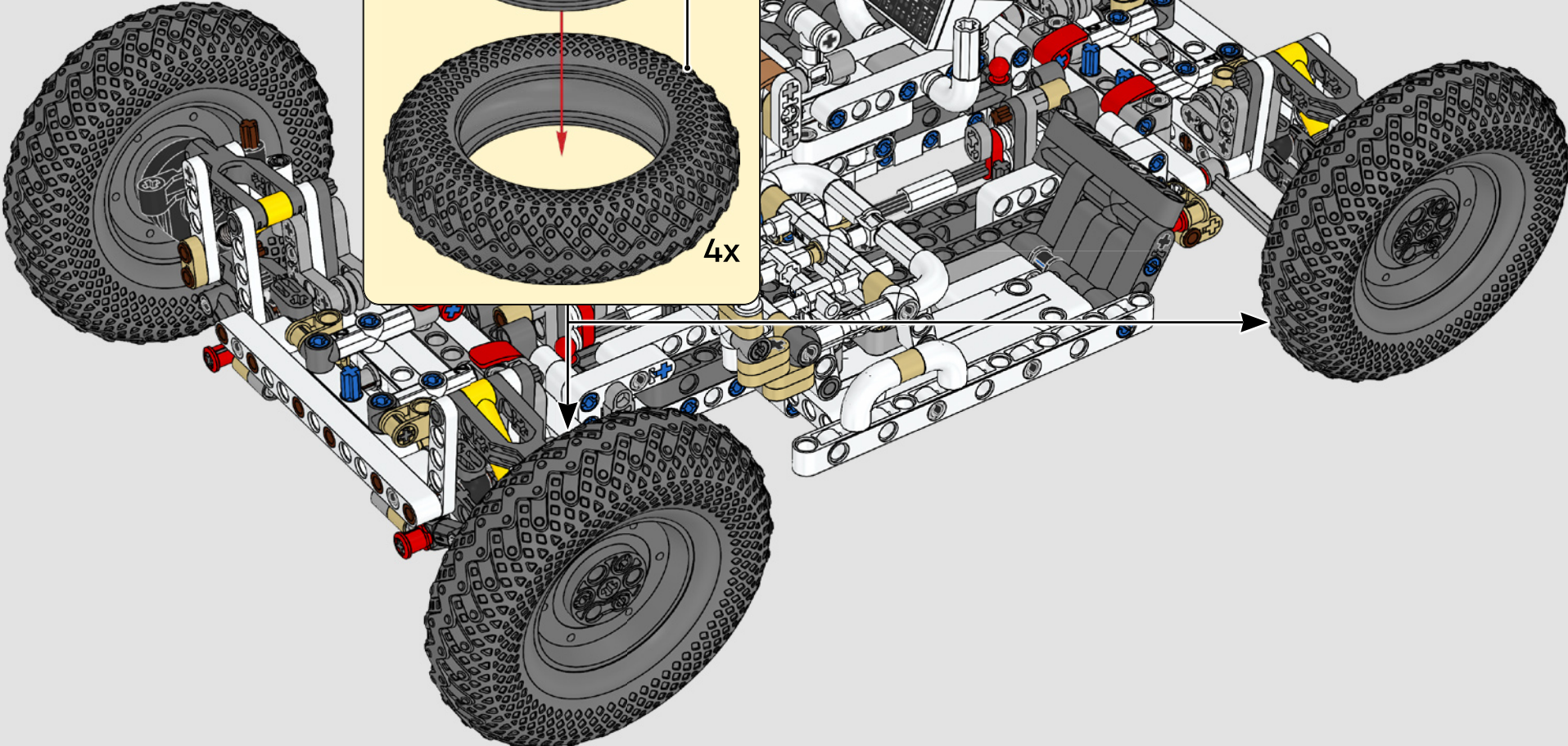
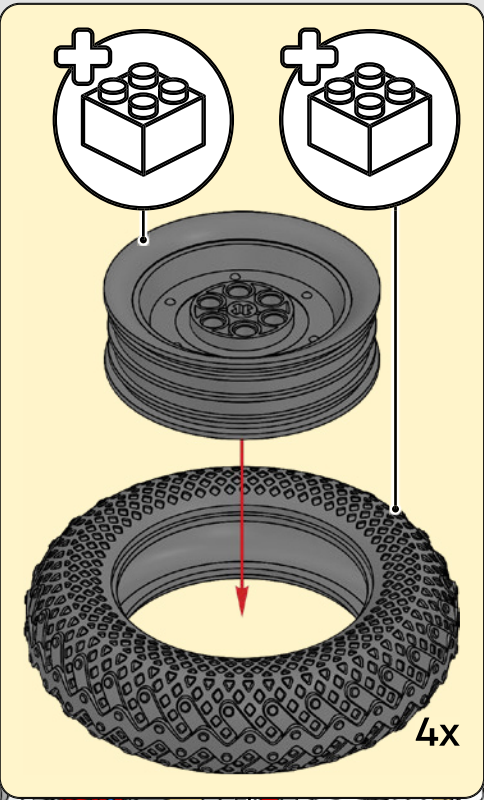


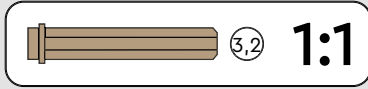
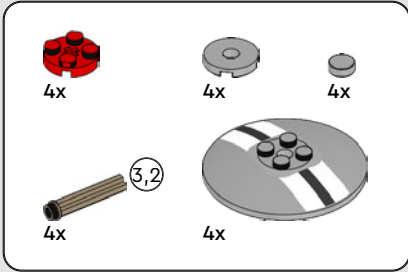
3x



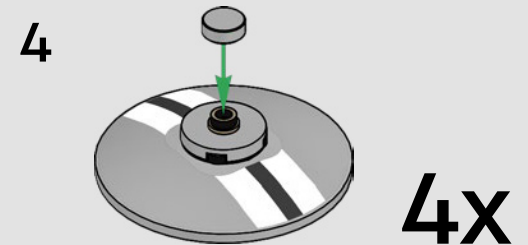
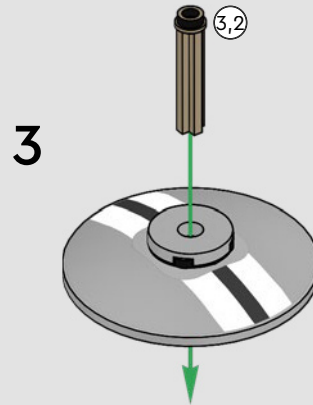
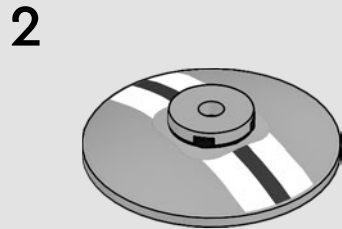
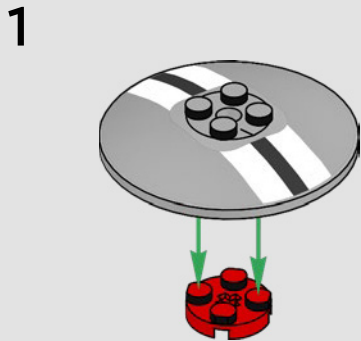


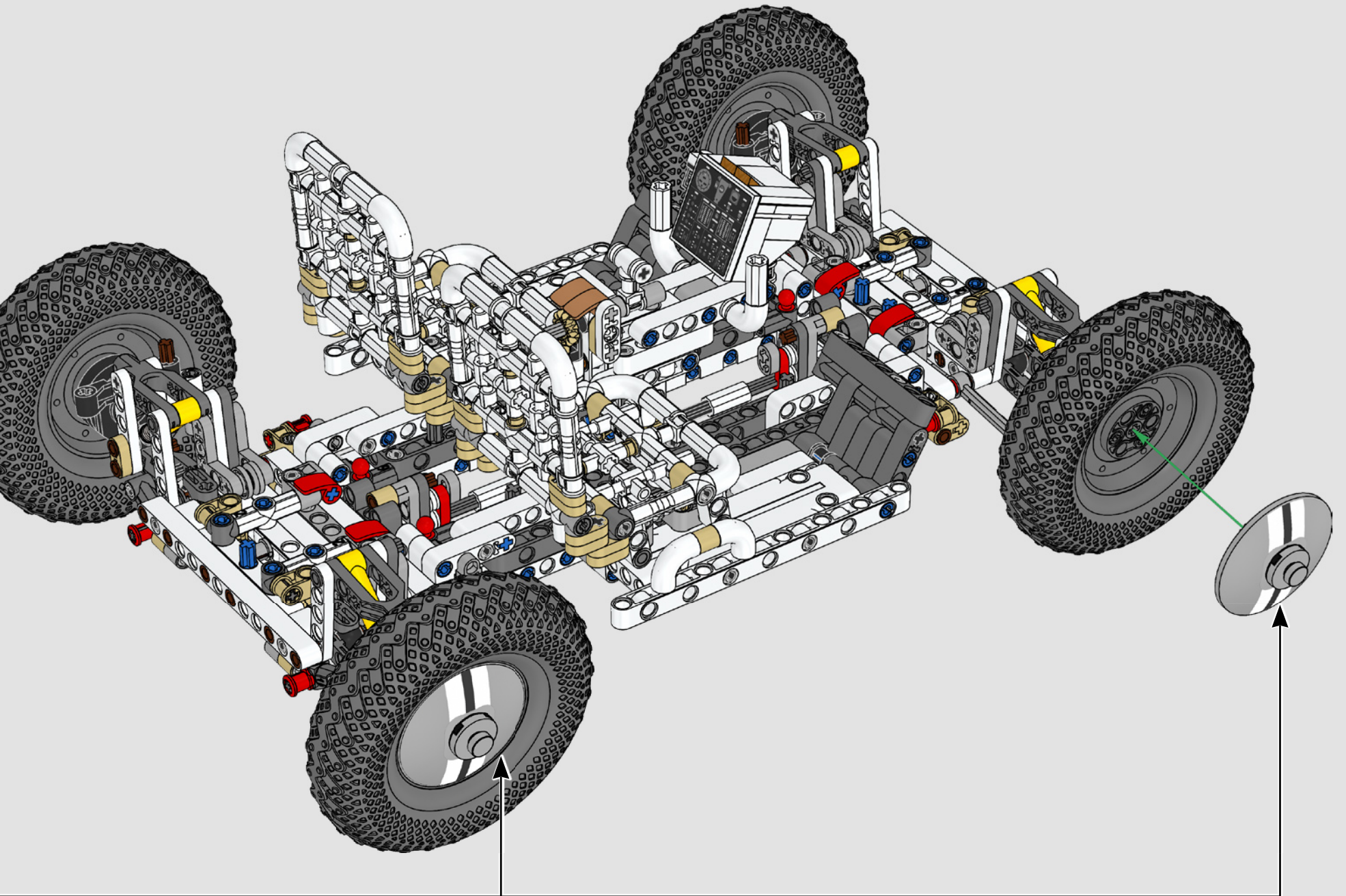
155

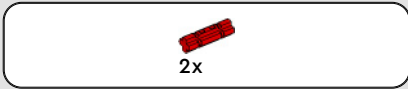




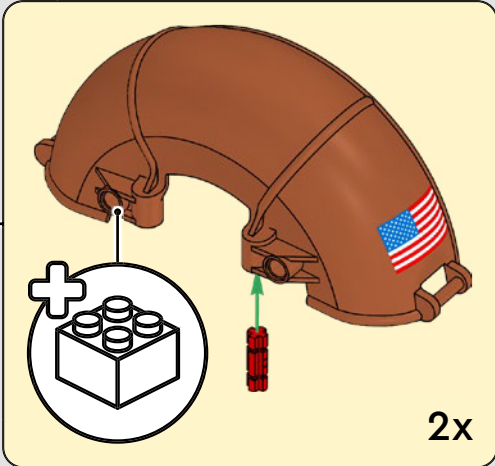
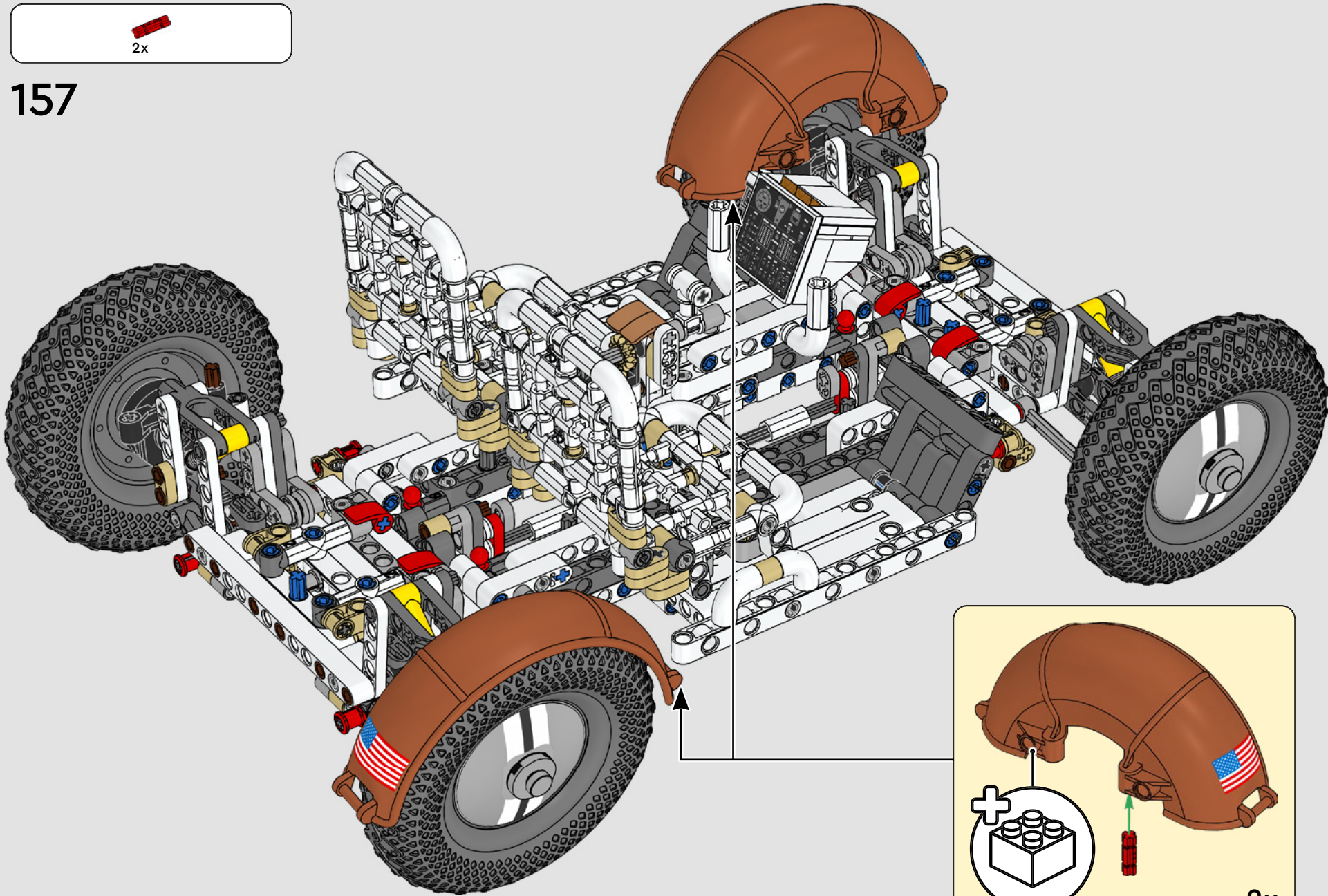
156







157

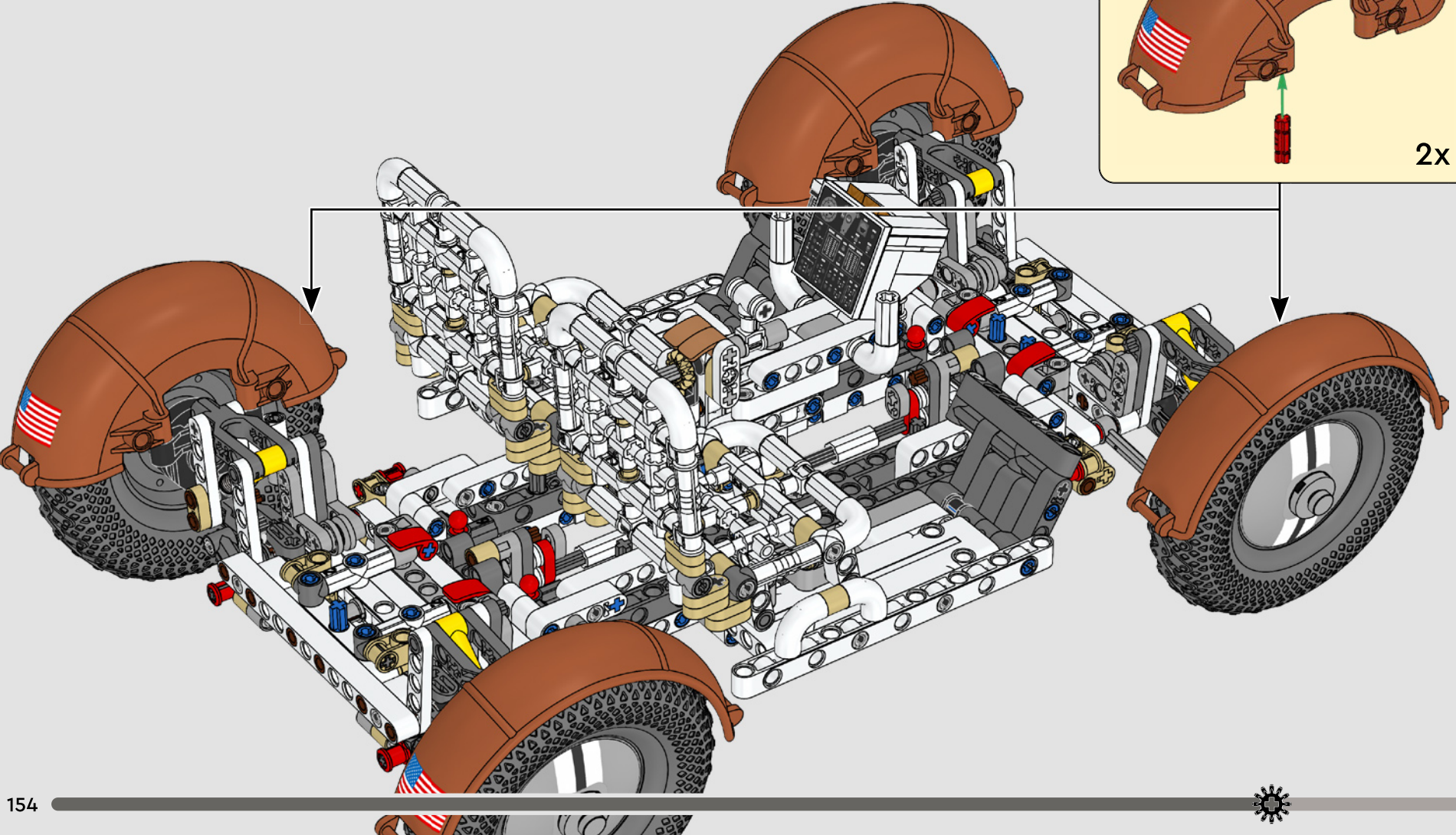


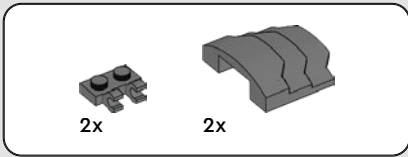
2x

158

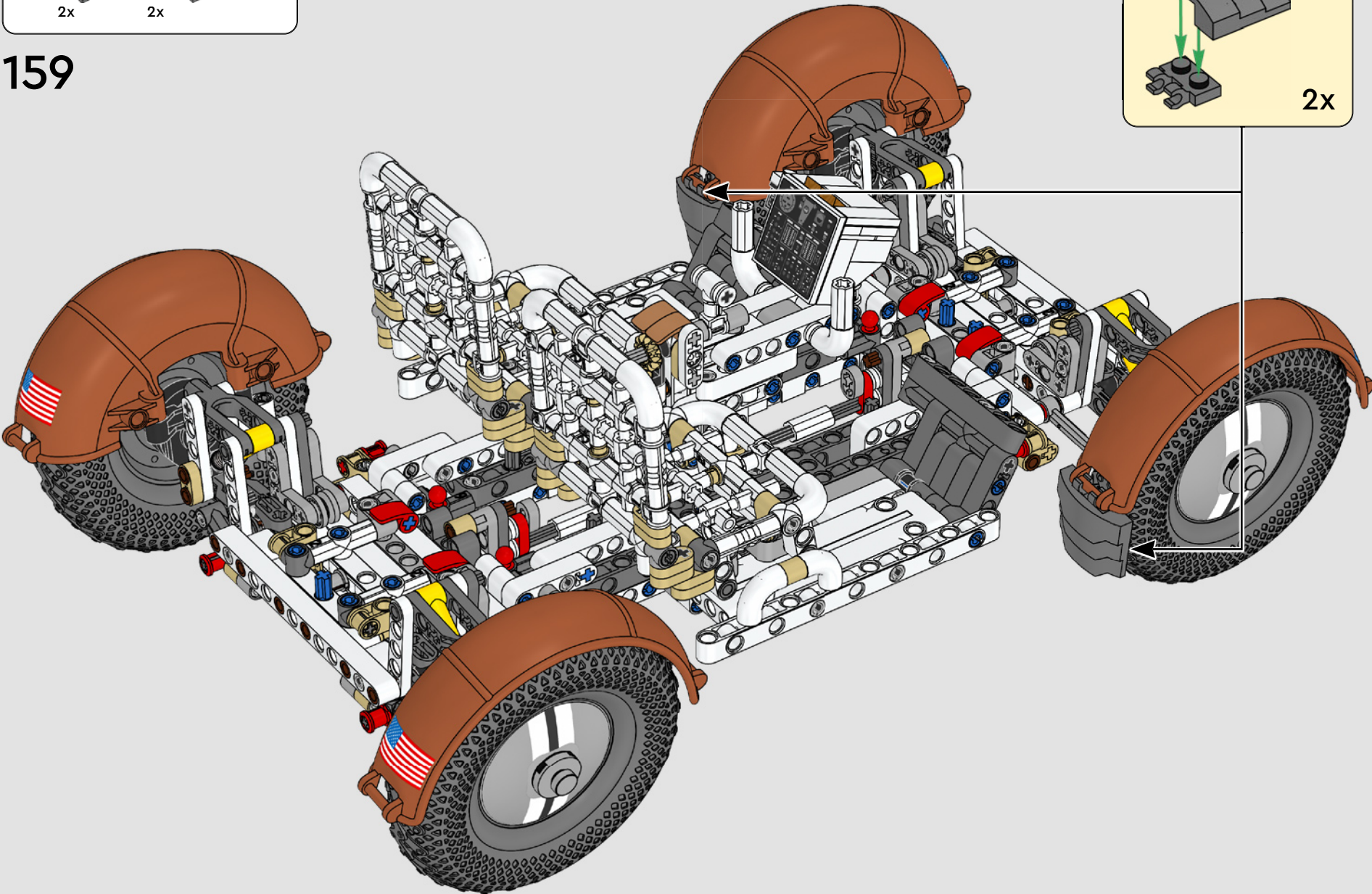
+

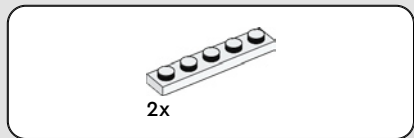
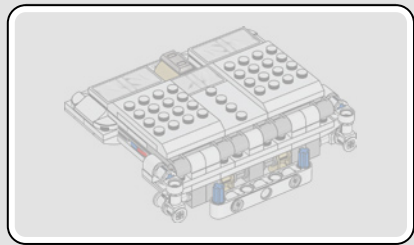
2x





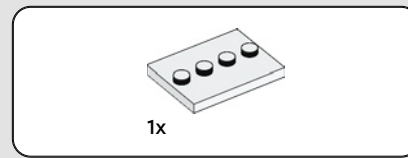
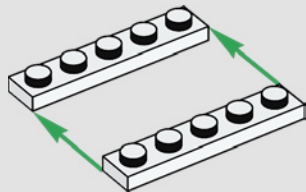
159





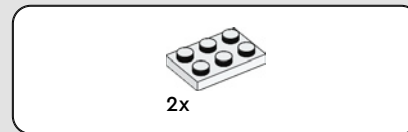
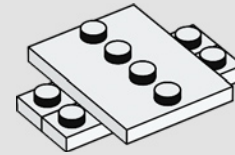
2x

160



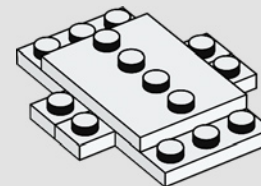
1x

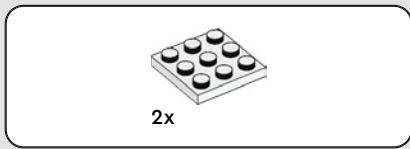
161



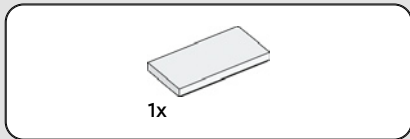
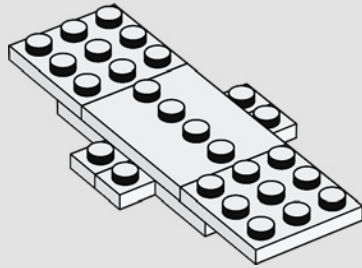
2x

162

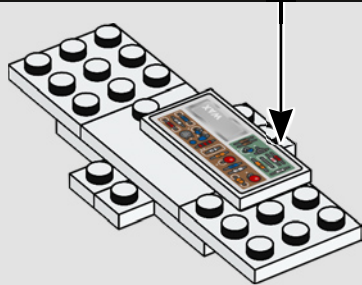
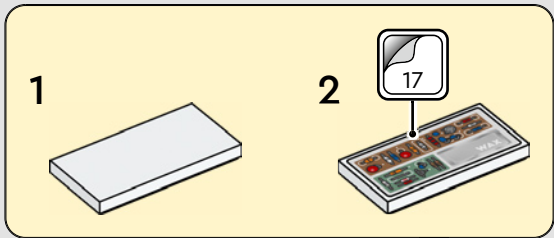




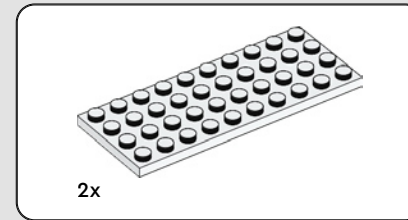
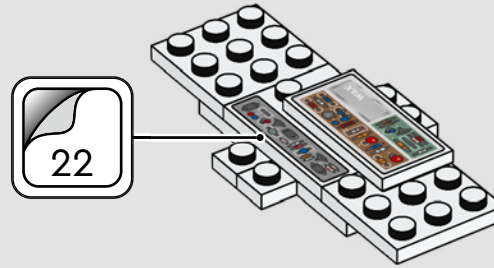
163



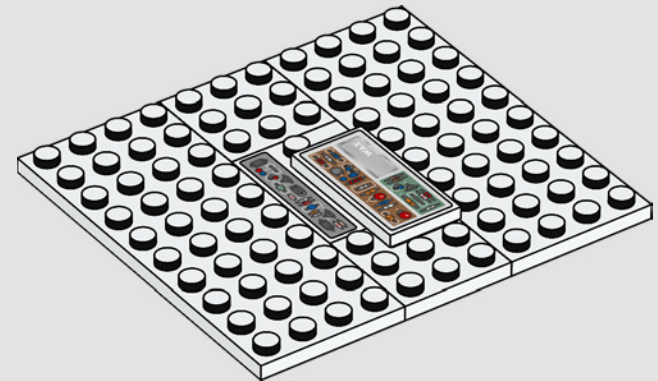
164



165



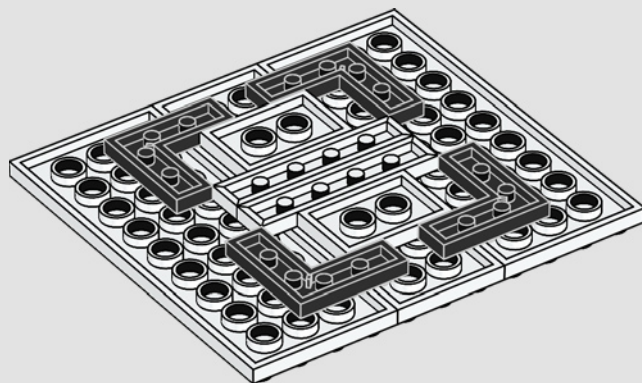
166





4x

167

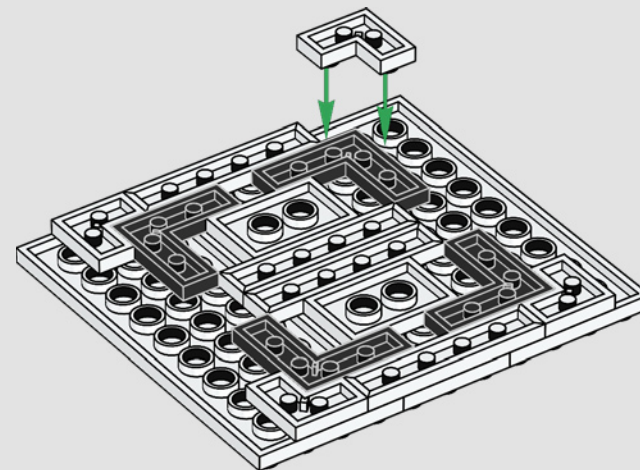


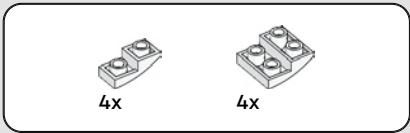
4x



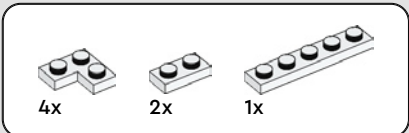
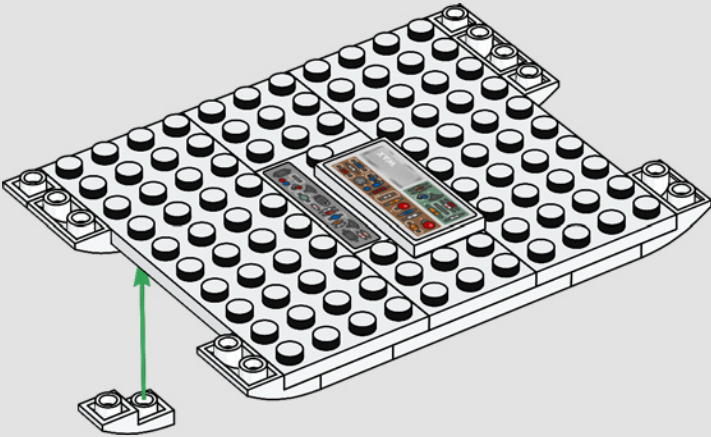
2x

168

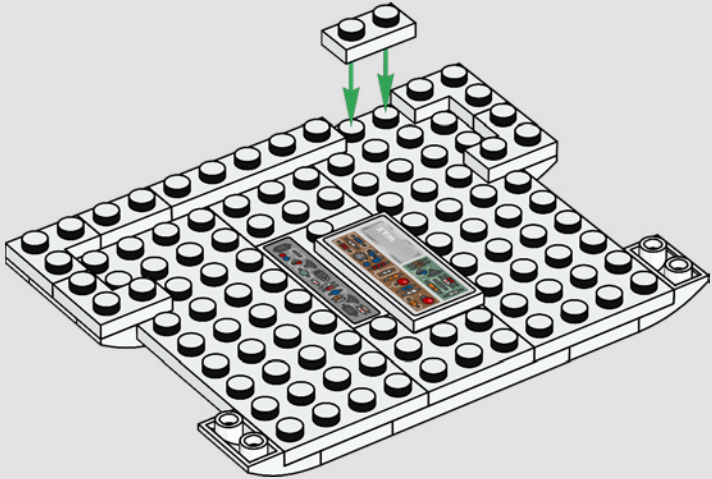


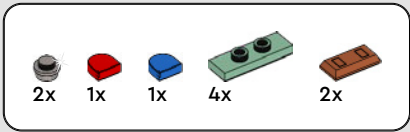


169

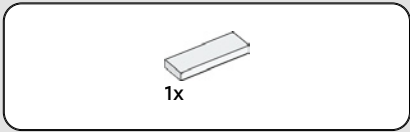
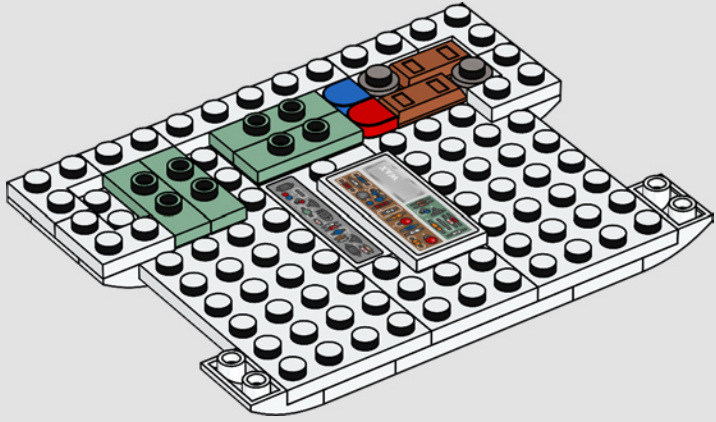


170

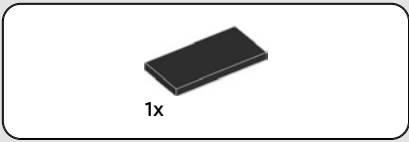
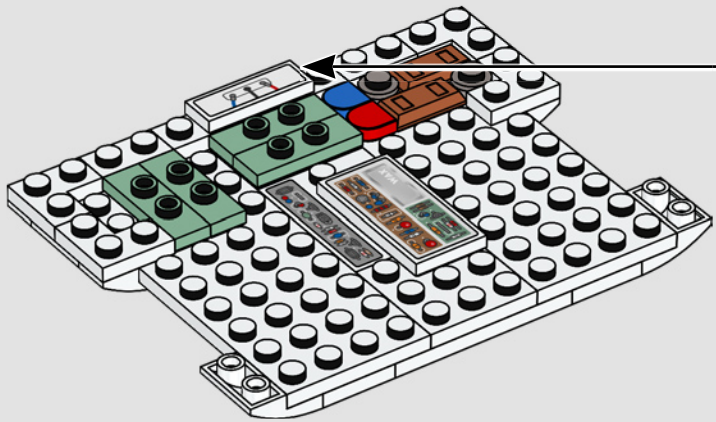
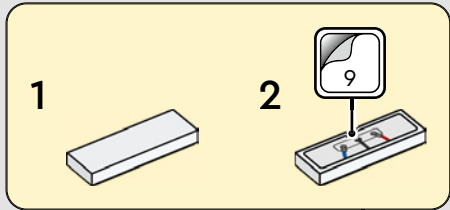




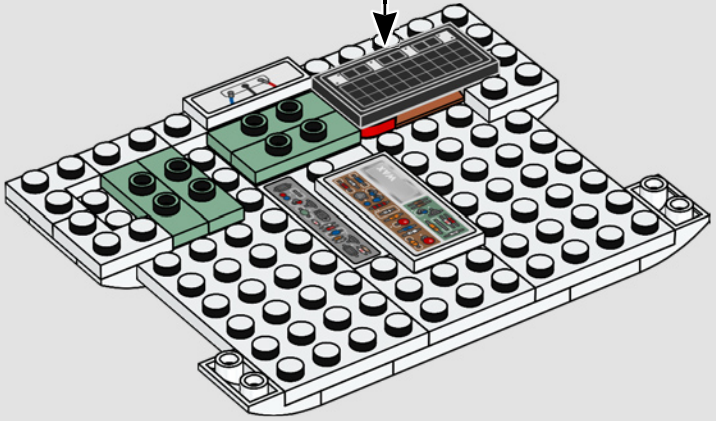
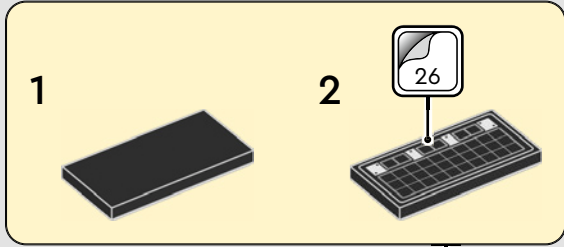
171

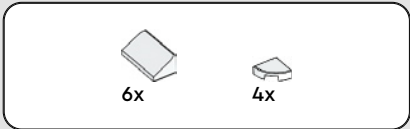


172

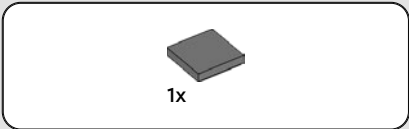
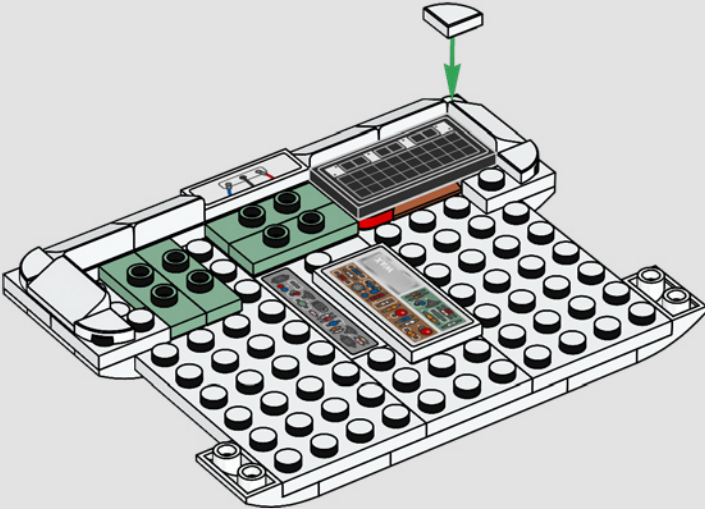


173

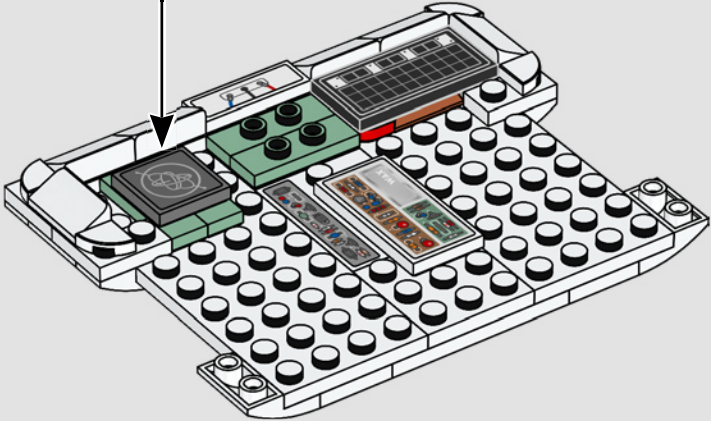
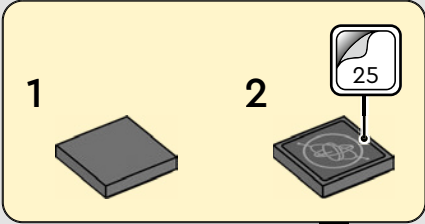




174



175



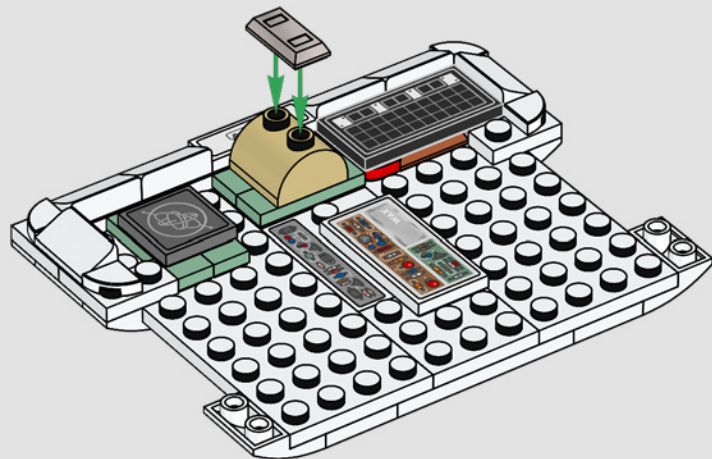


1x



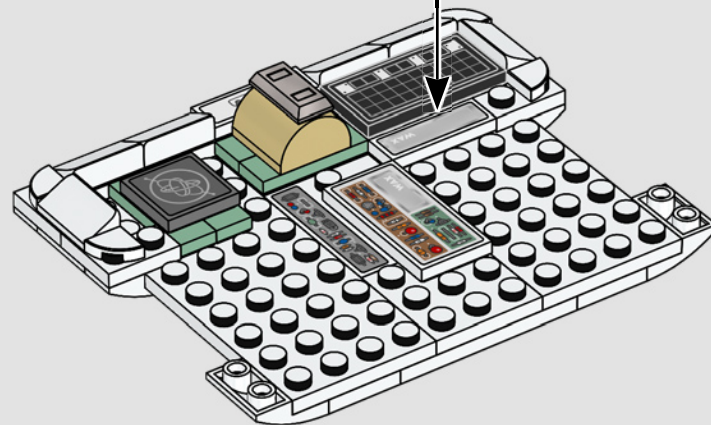
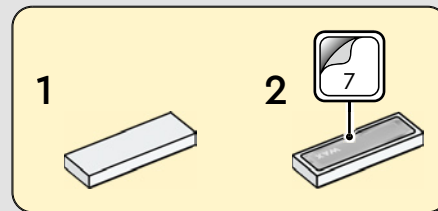
1x

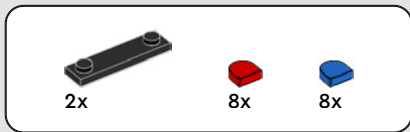
176



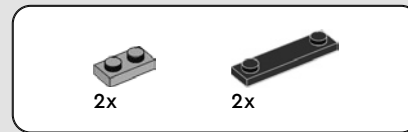
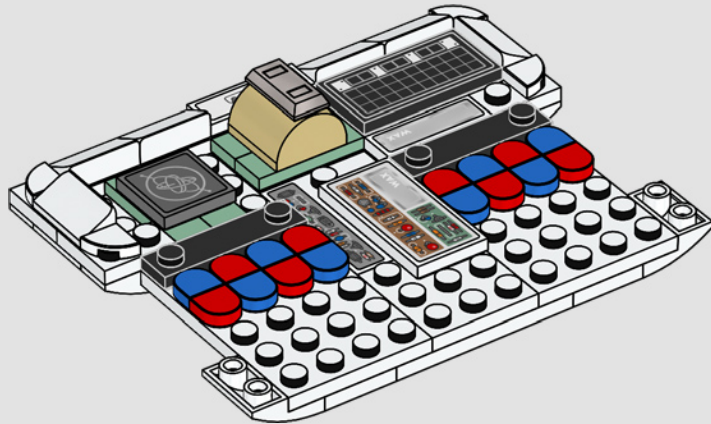
1x

177

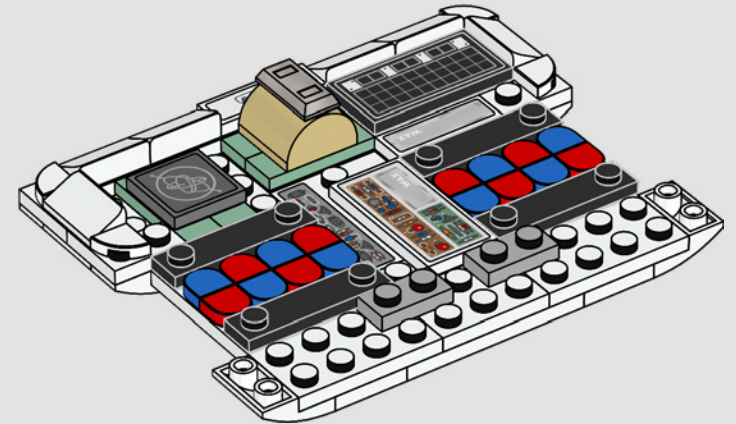


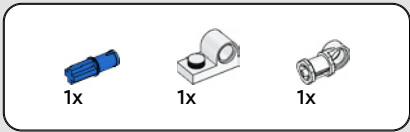


178

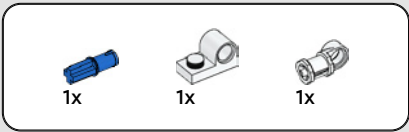
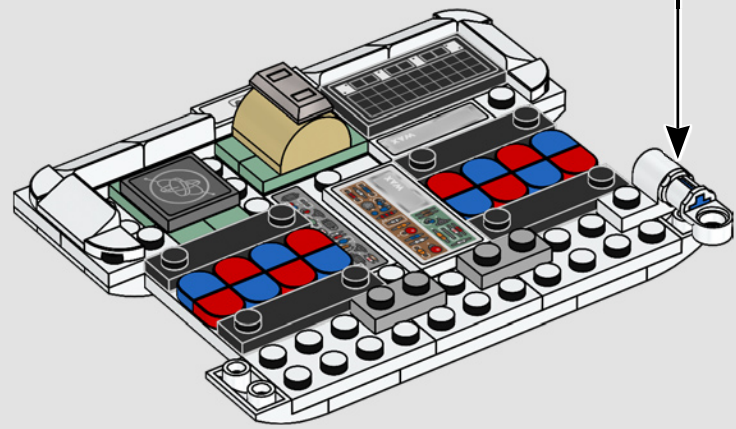
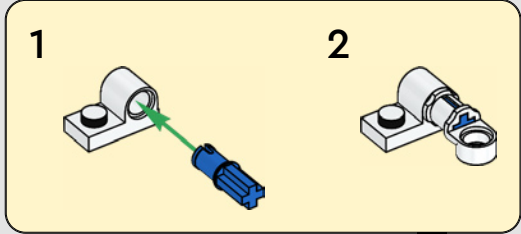


179

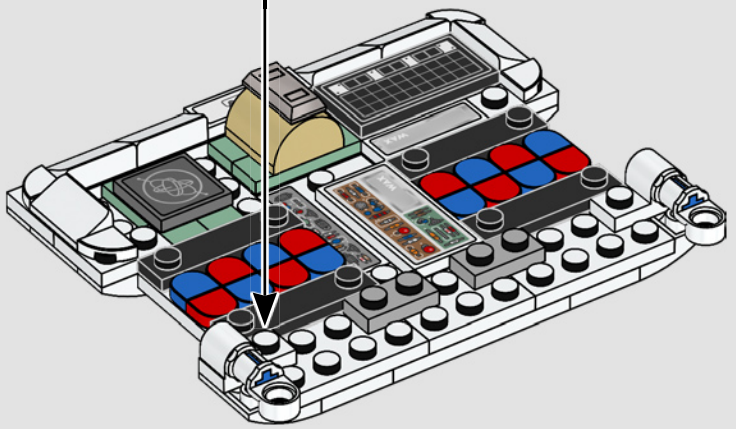
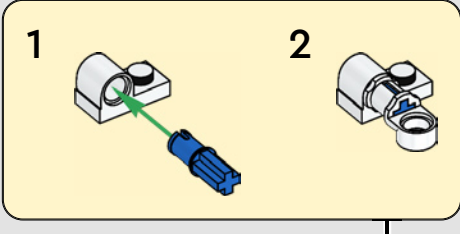


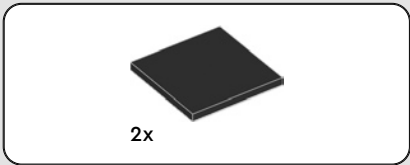


180

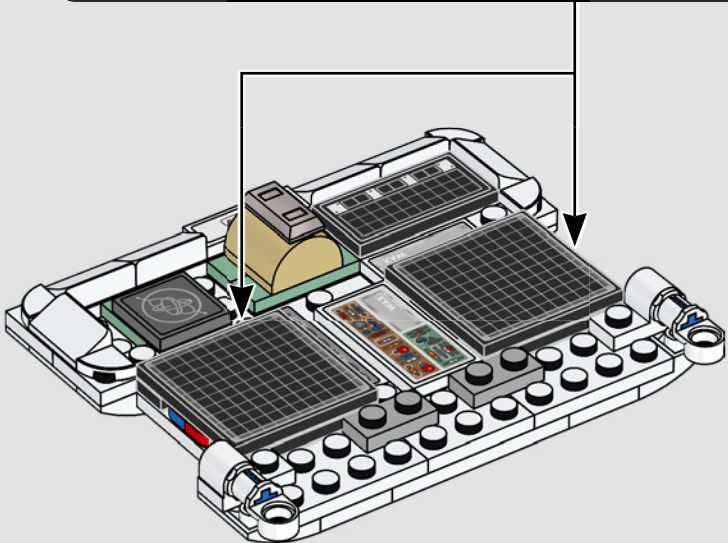
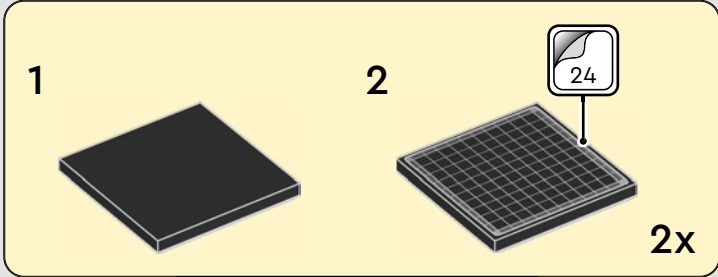


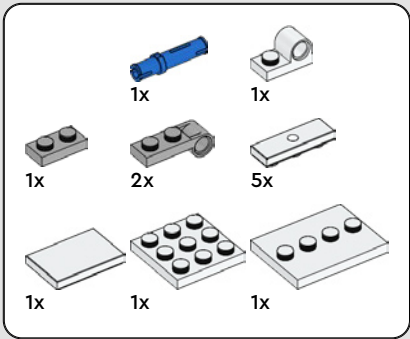
181



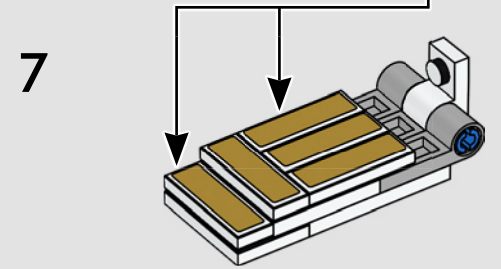
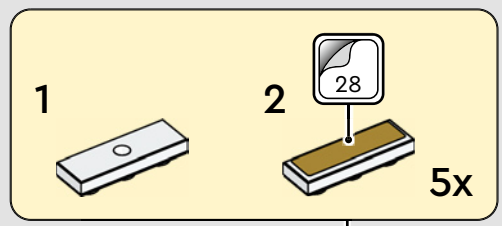
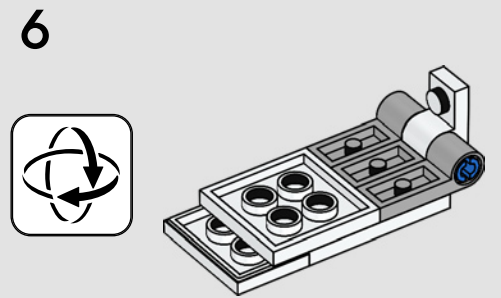
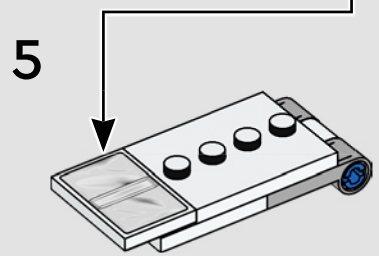
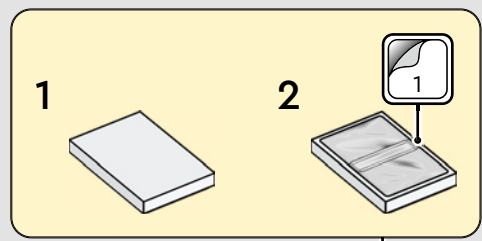
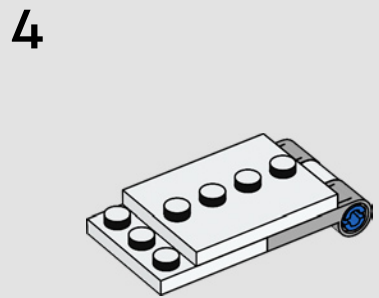
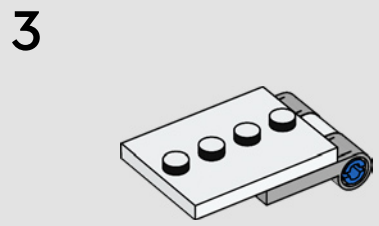
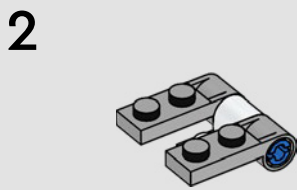
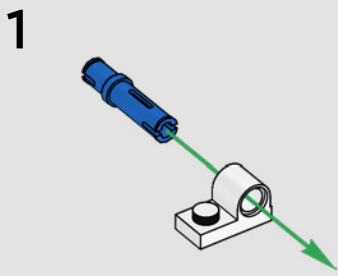


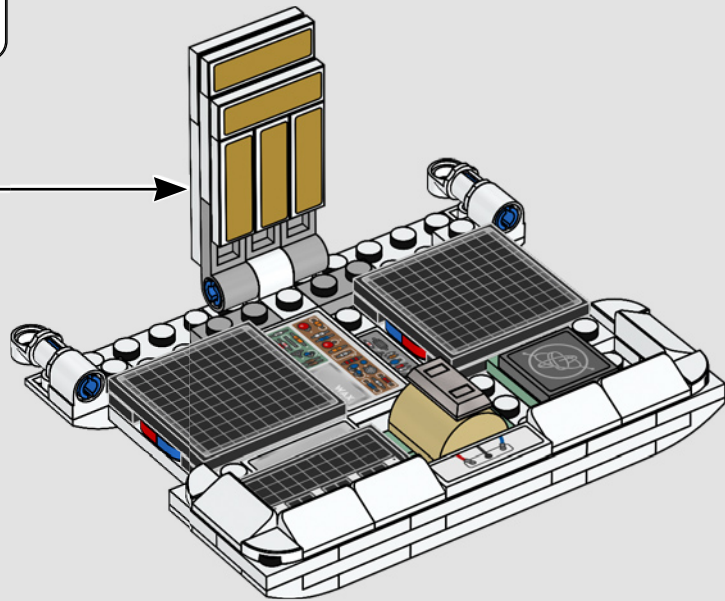
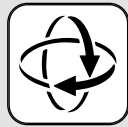
182

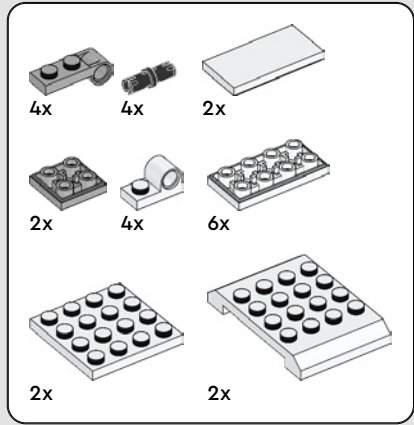
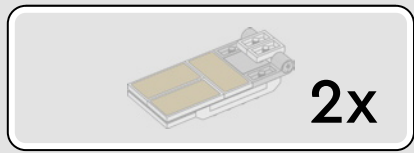




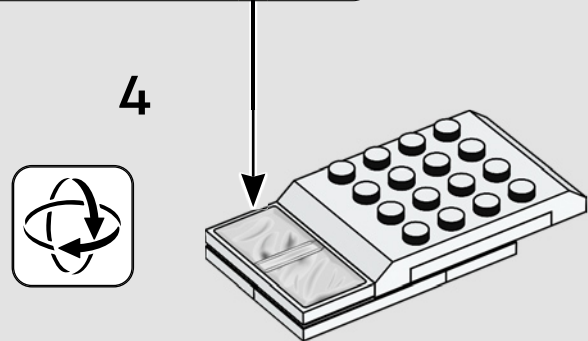
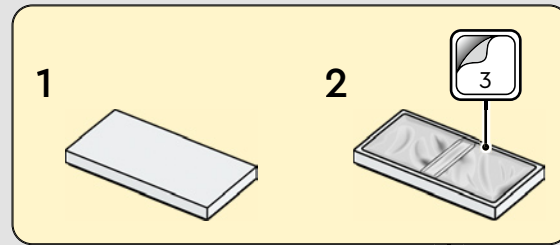
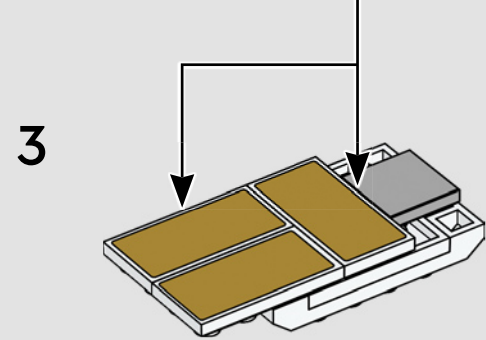
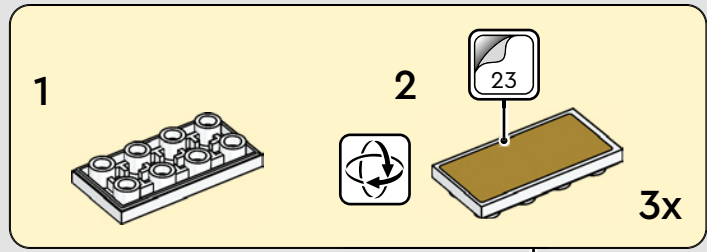
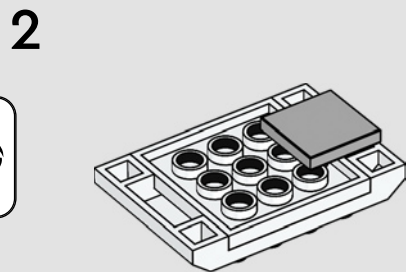
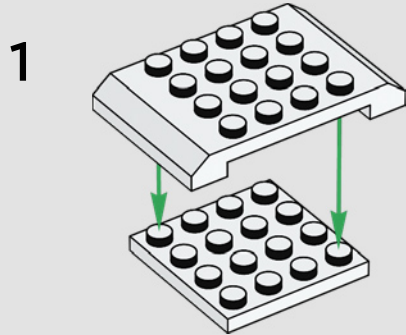
183

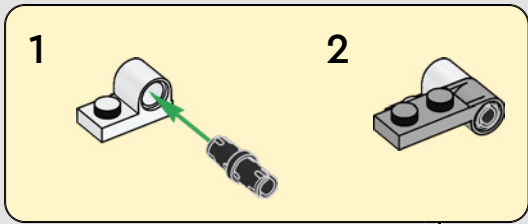




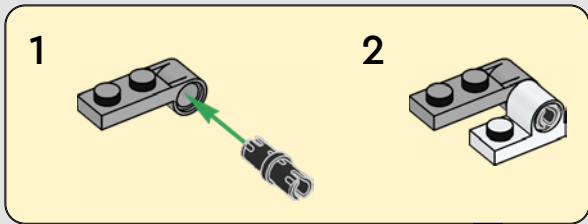
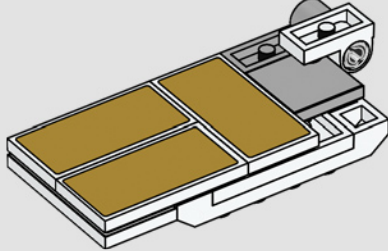


184

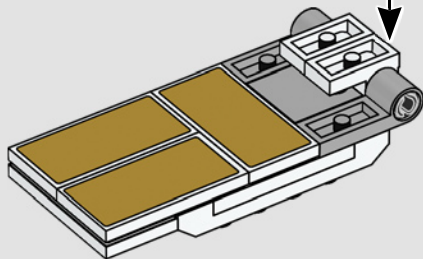




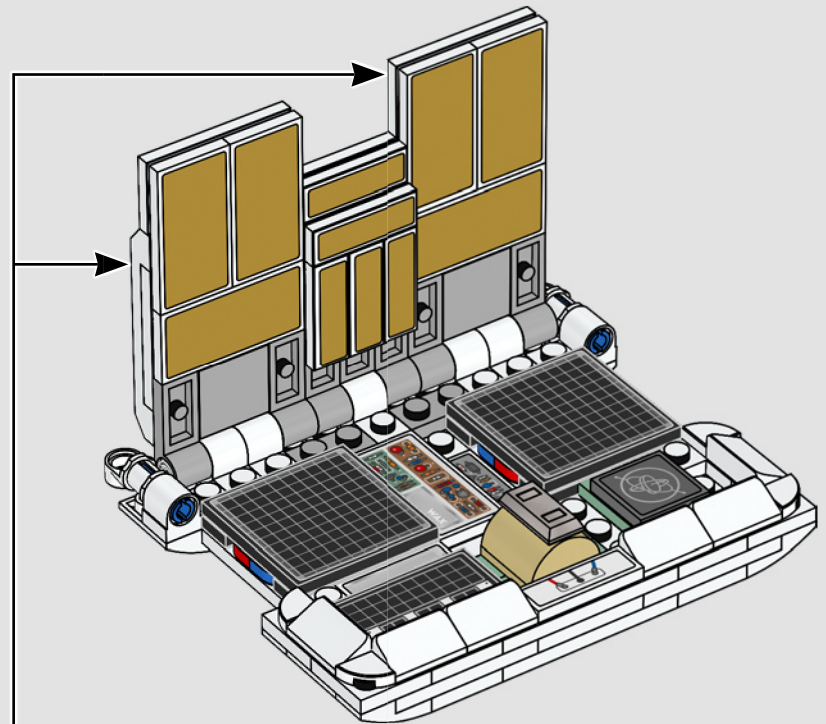
5

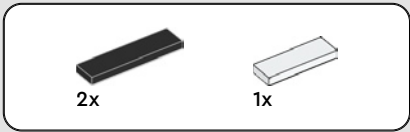


6

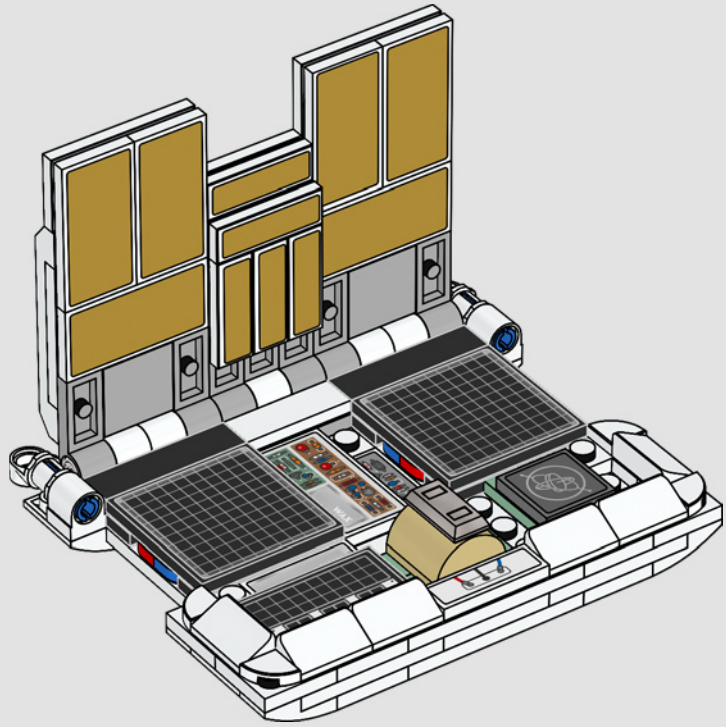


2x

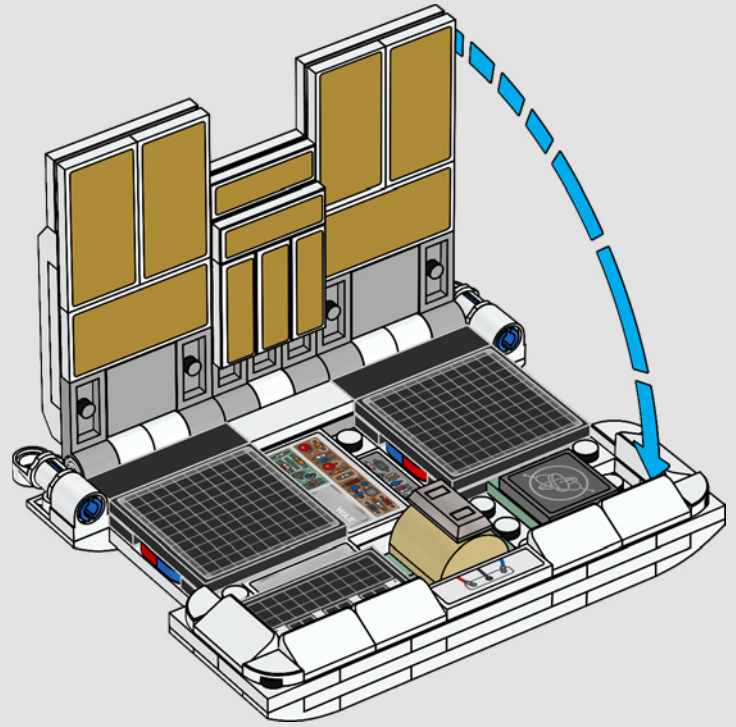


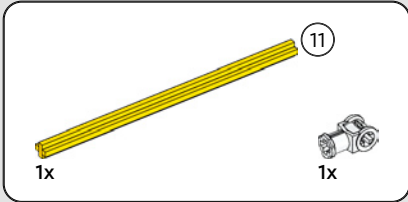
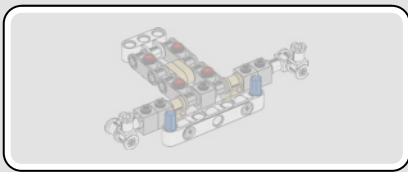


185

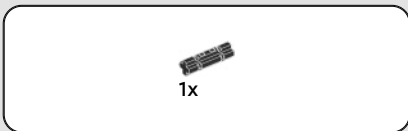
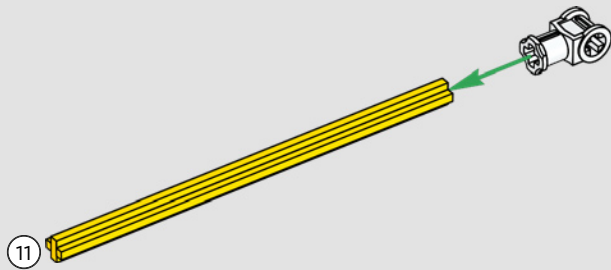


186

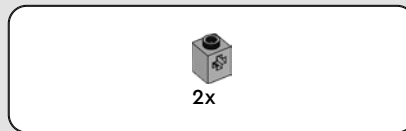
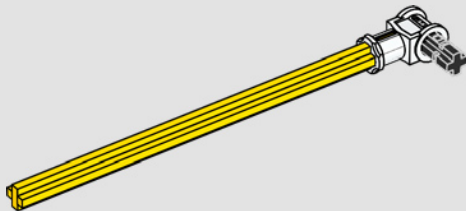




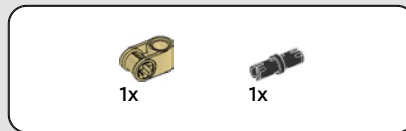
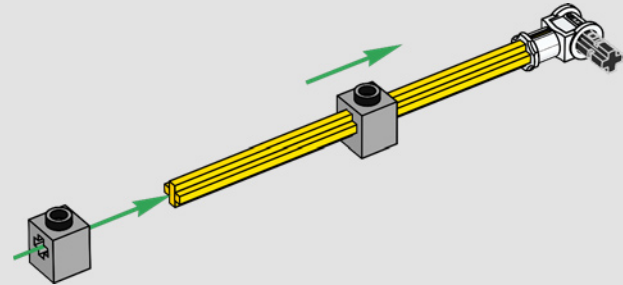
187



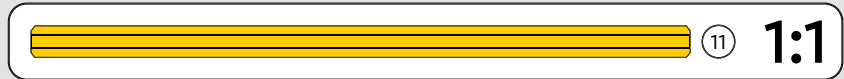
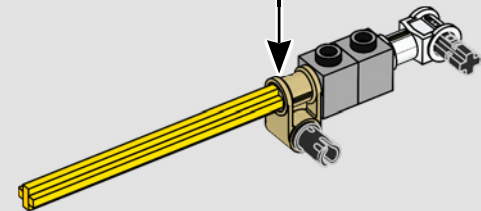
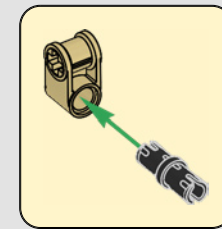
188

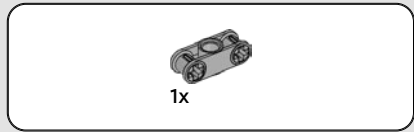


189

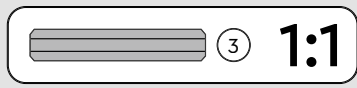
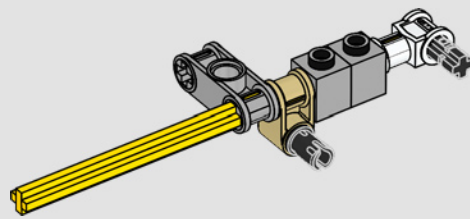


190

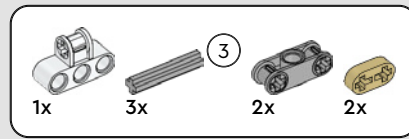




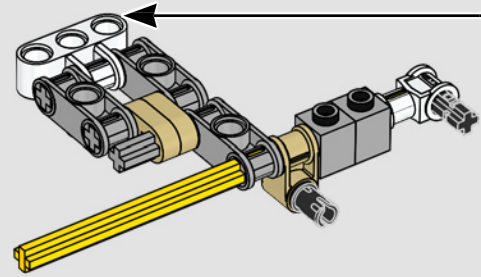
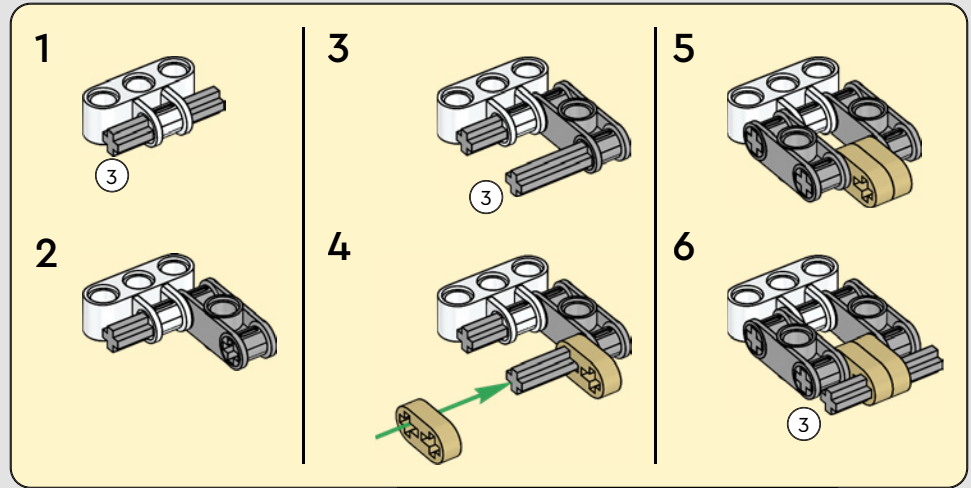
191



172



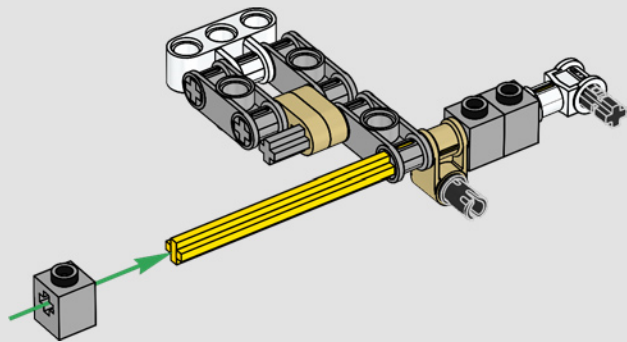
192





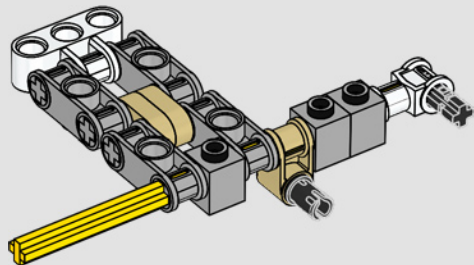
1x

193



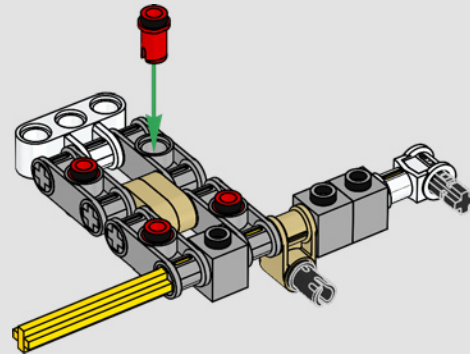
1x

194



4x

195

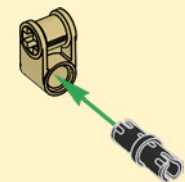
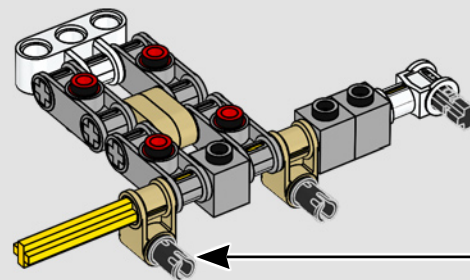


1x



1x

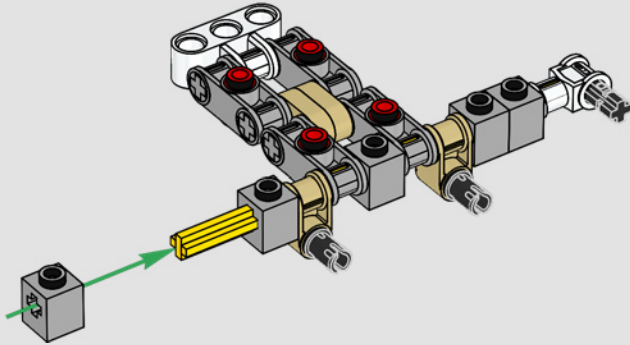
196





2x

197

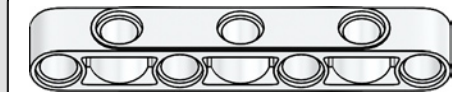
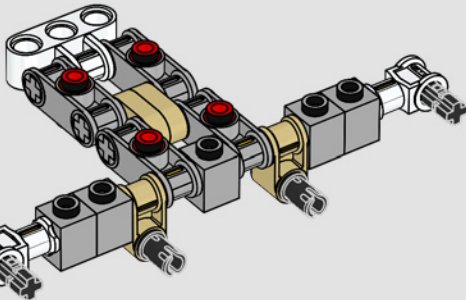


1x



1x

198



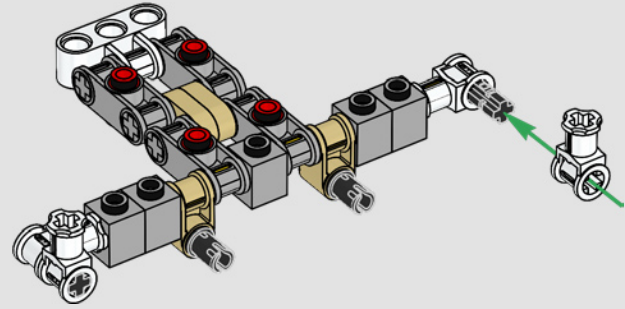
7

1:1



2x

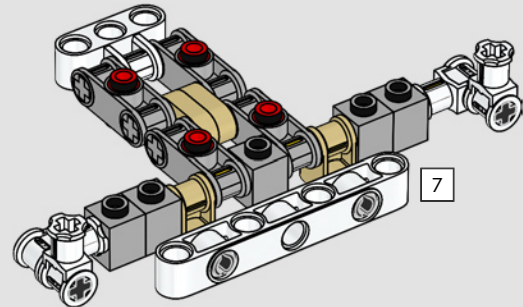
199



7

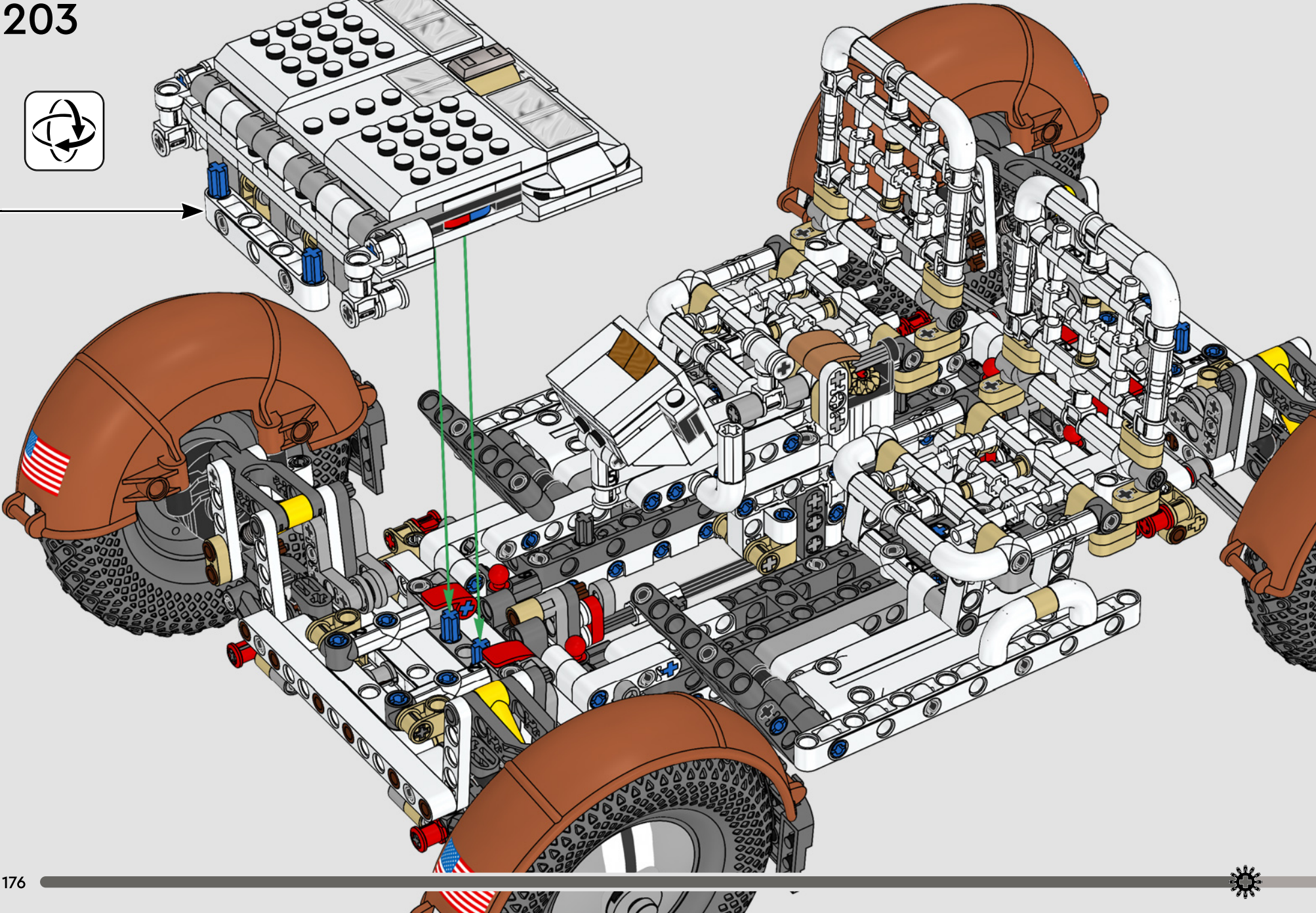
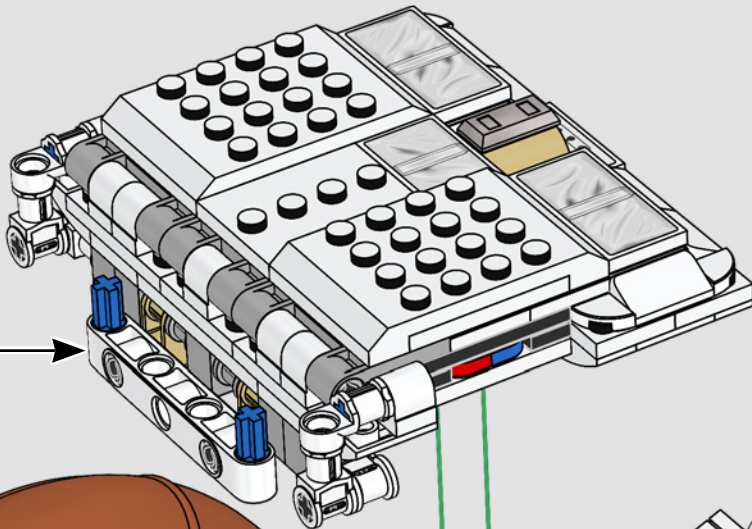
1x

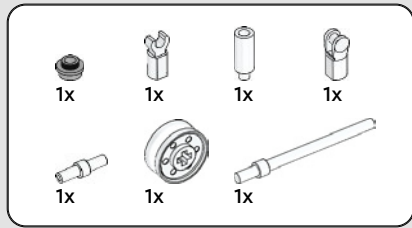
200



7







204

1



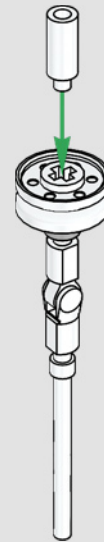
2

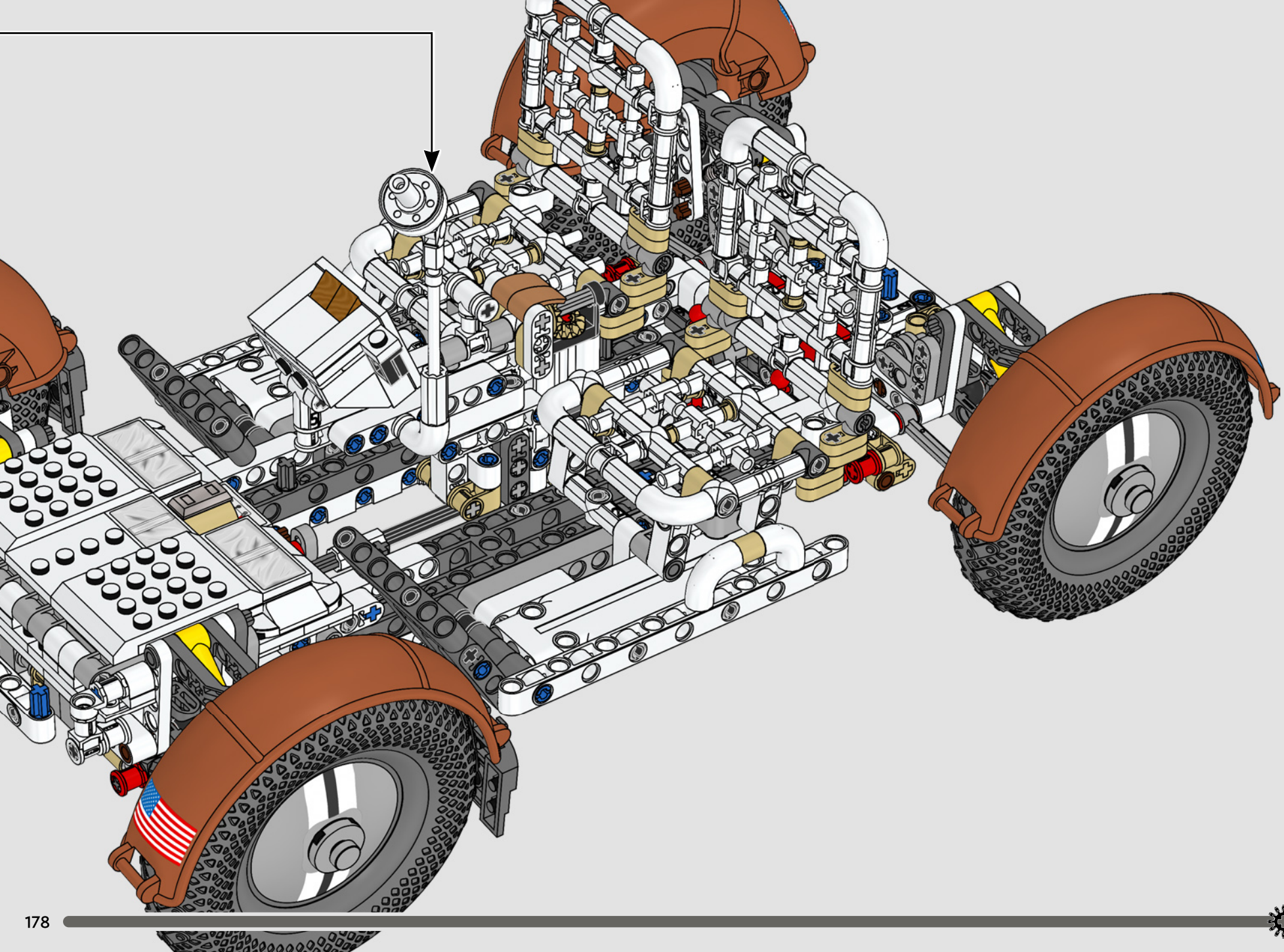


3



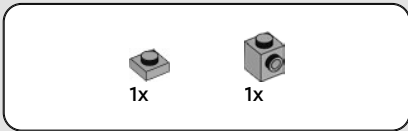
4



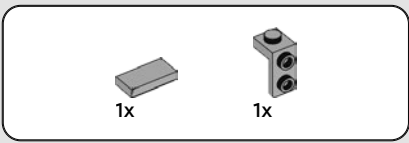




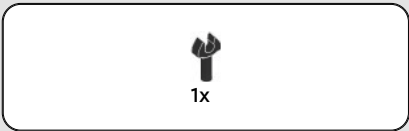
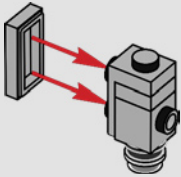
205



206

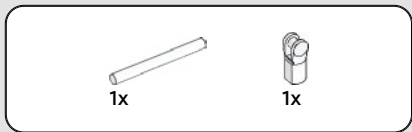


207

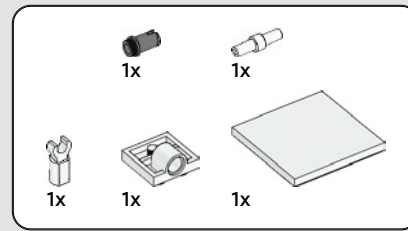
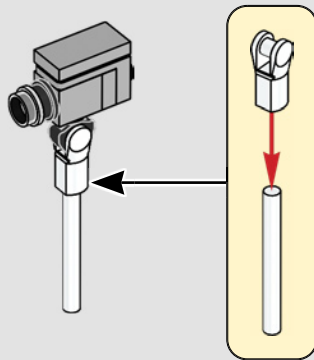


208

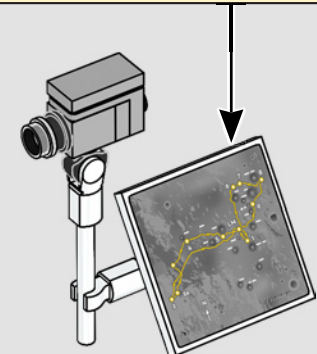
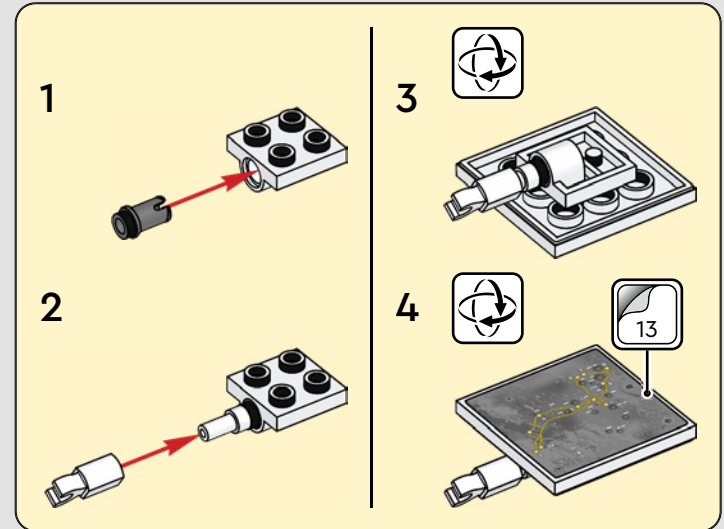




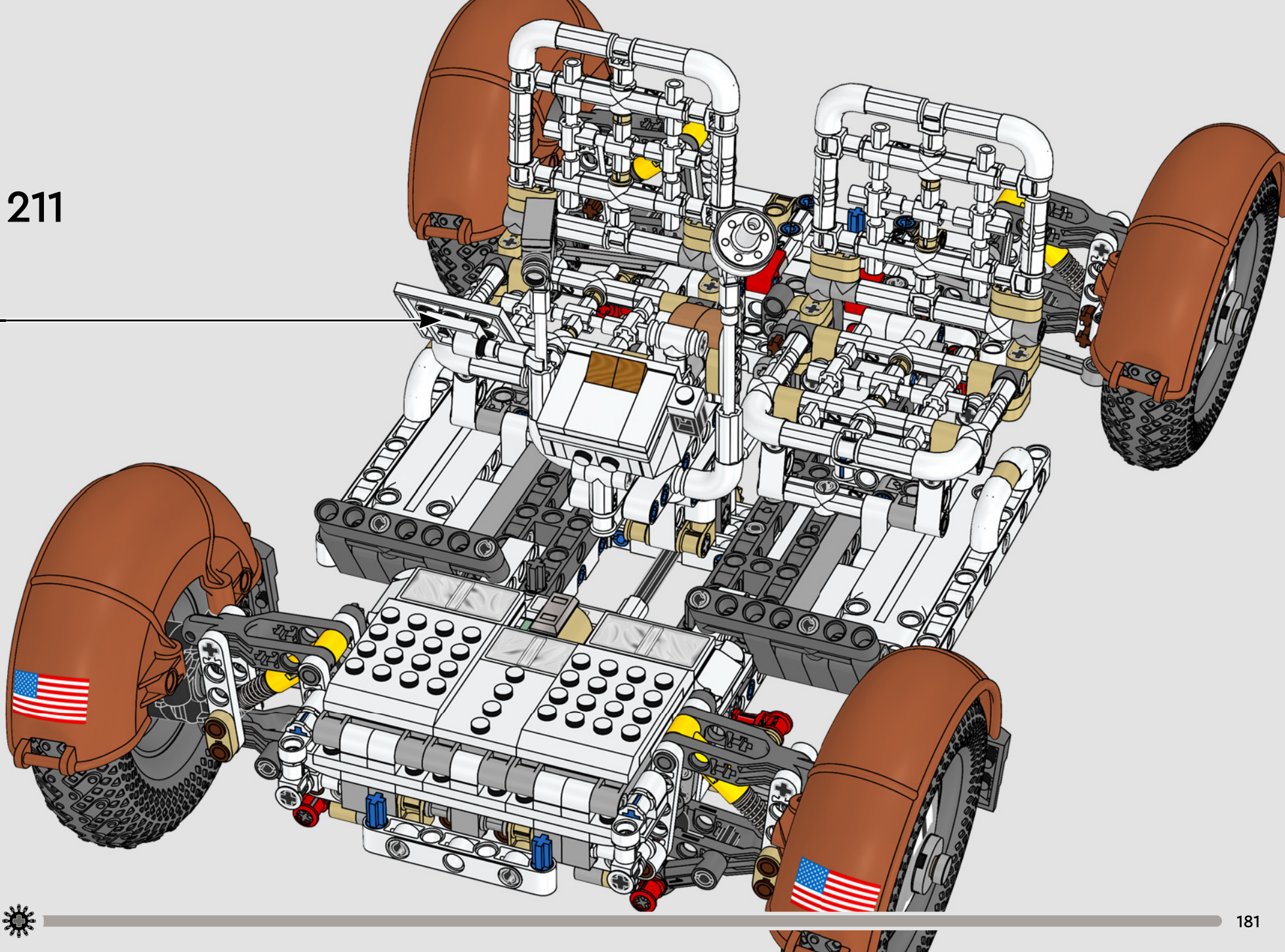
209

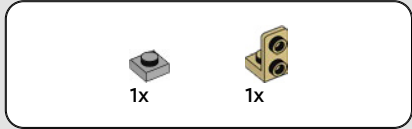
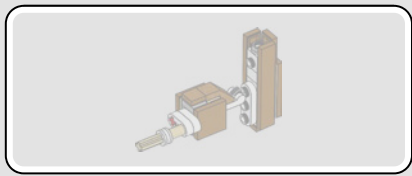


210

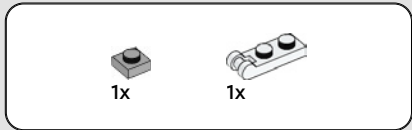


211

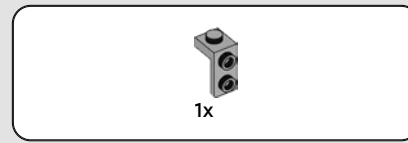
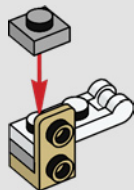




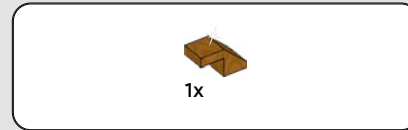
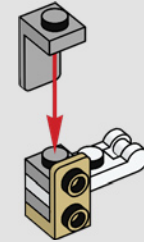
212



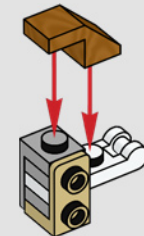
213

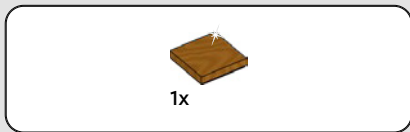


214

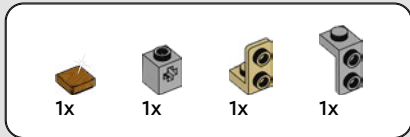
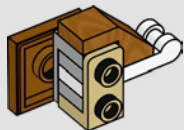


215

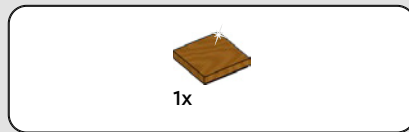
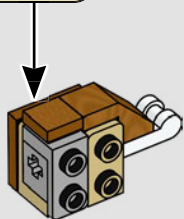
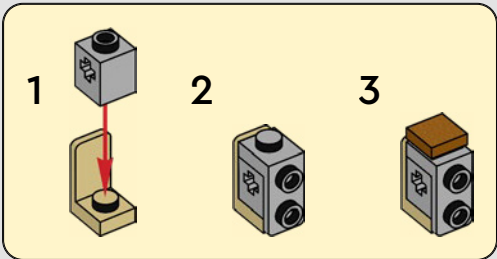




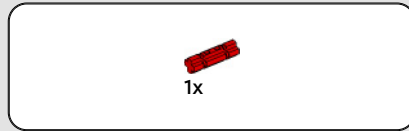
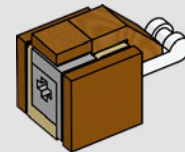
216



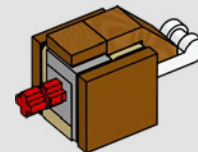
217

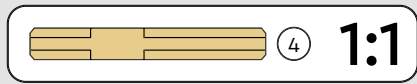
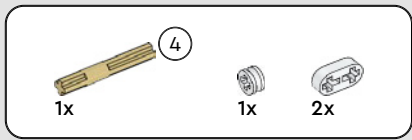


218

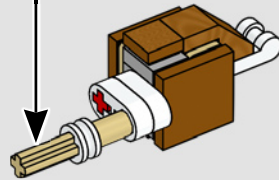
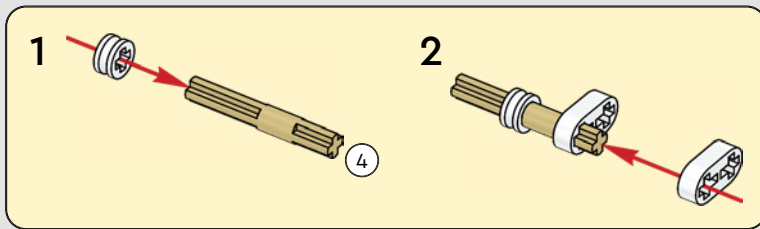


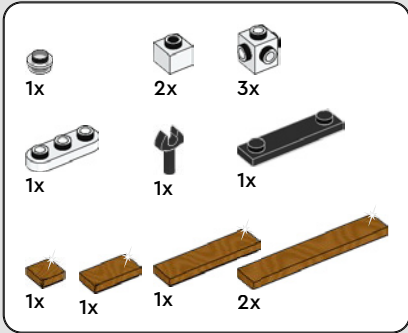
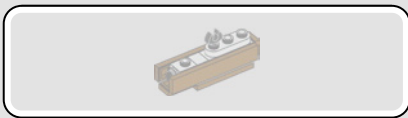
219



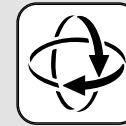
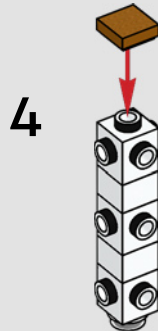
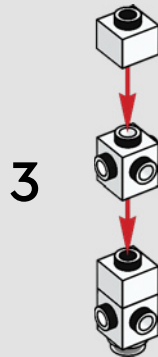
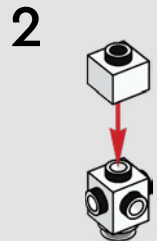
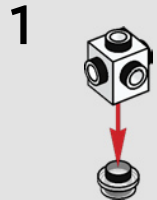


220

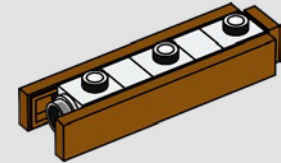




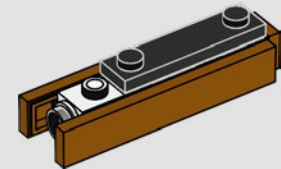
221



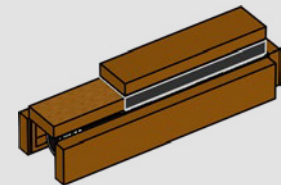
5



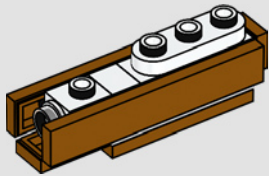
6



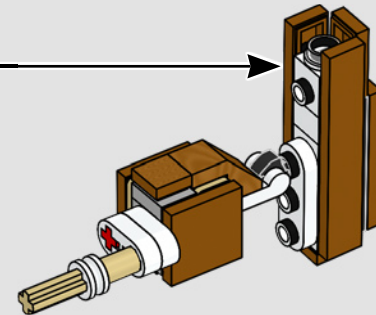
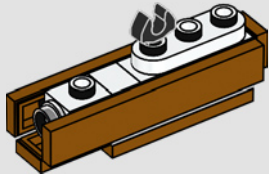
7

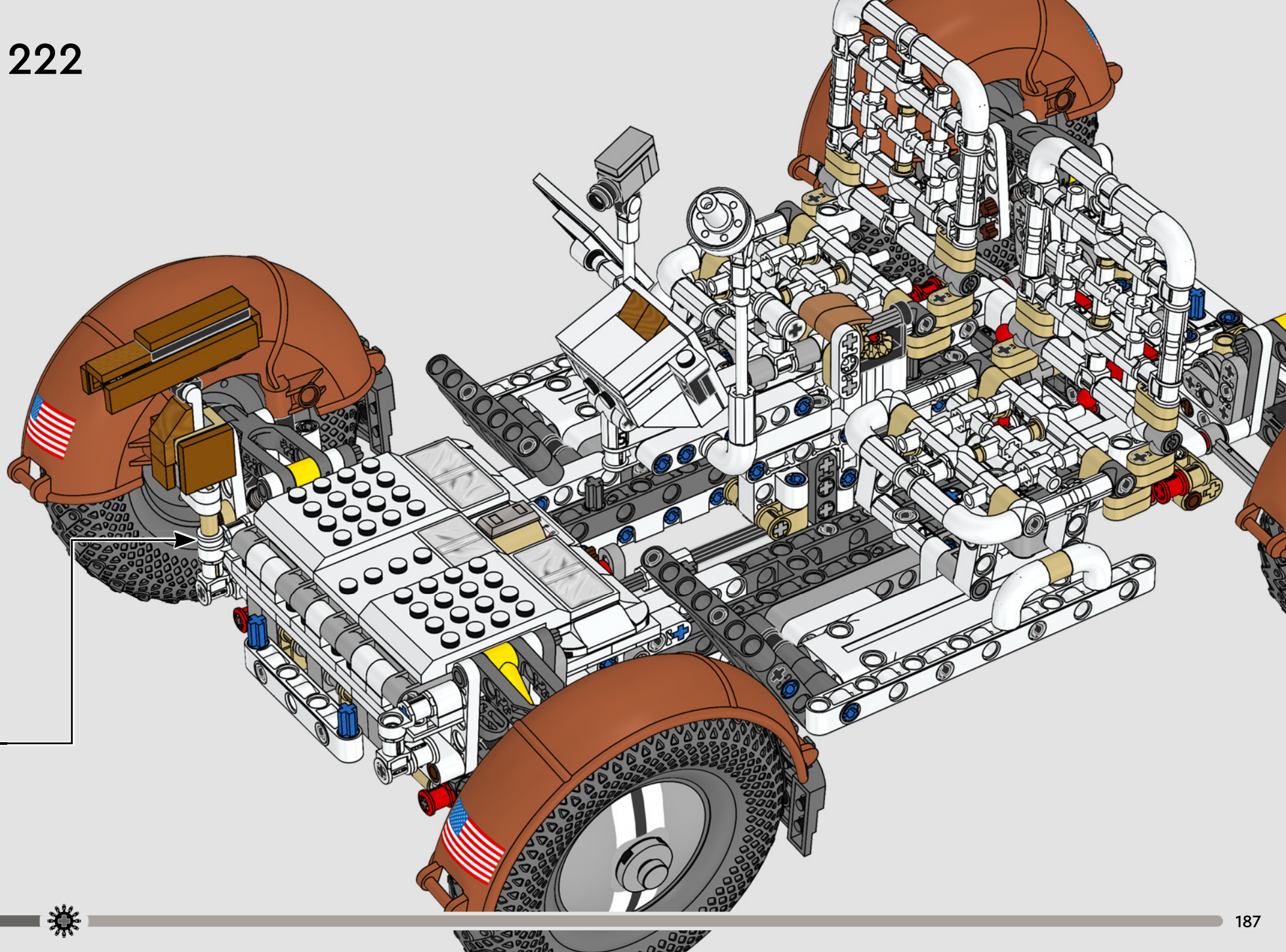


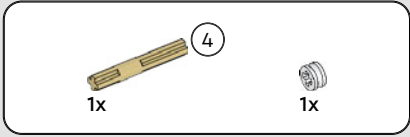
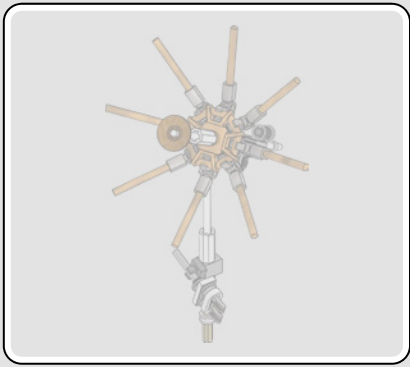
8



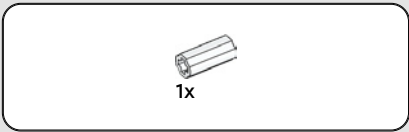
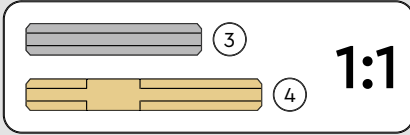
9



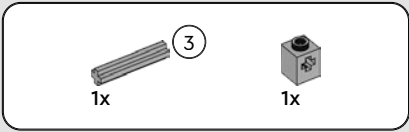




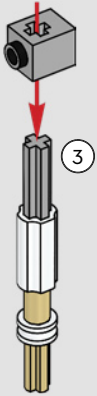
223

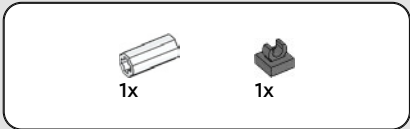


224

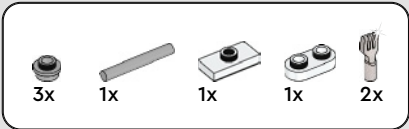
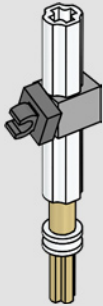


225

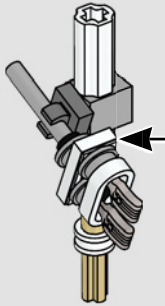
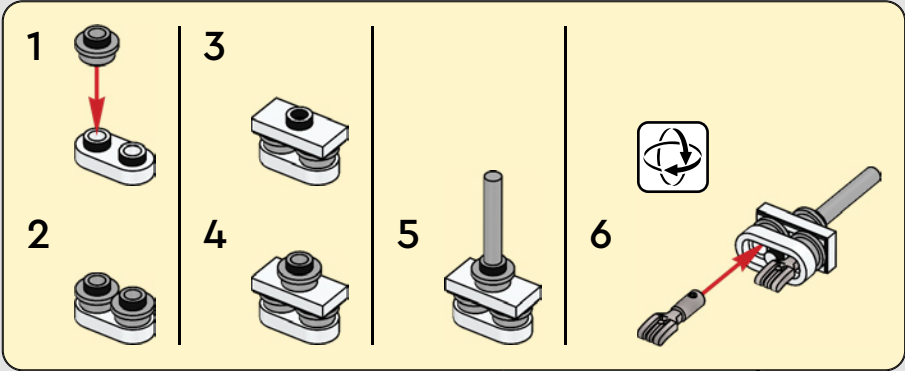


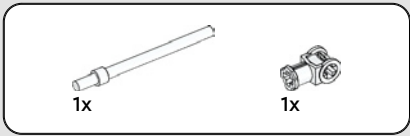


226

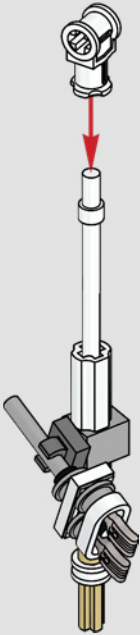


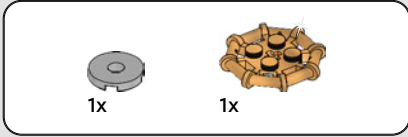
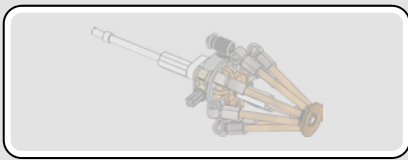
227



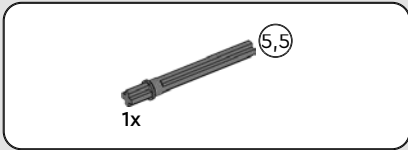
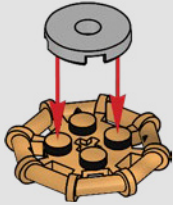


228

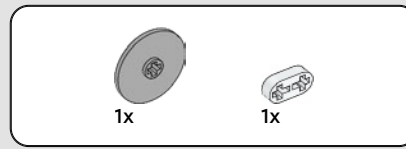
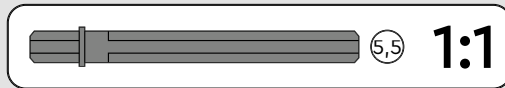
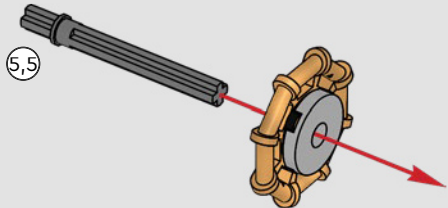




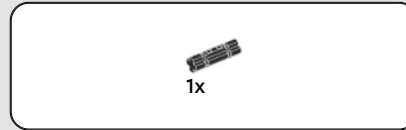
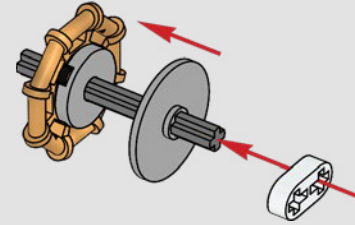
229



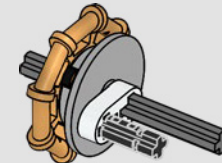
230

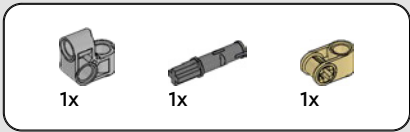


231

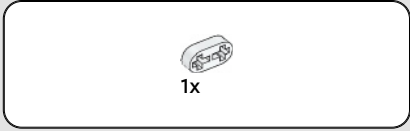
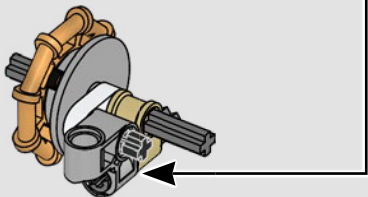
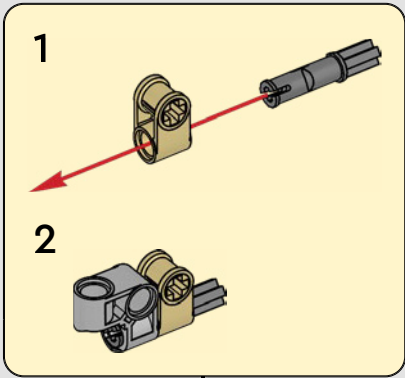


232

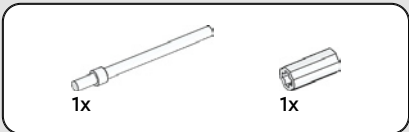
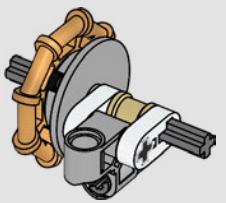




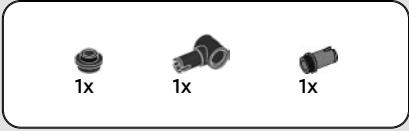
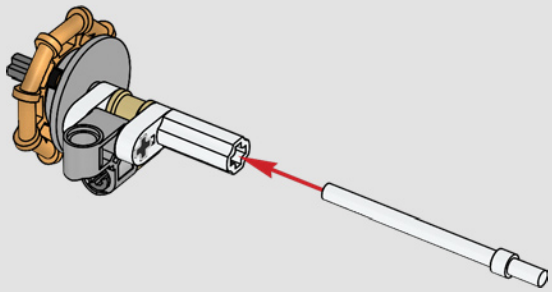
233



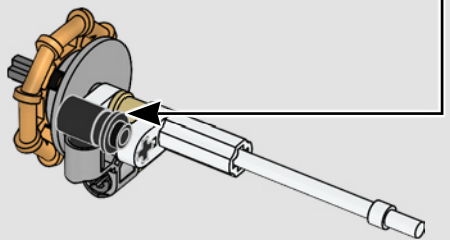
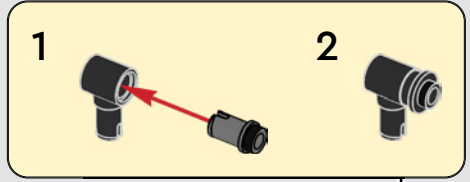
234

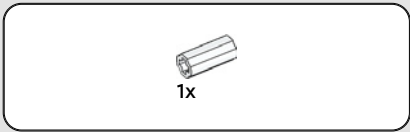


235

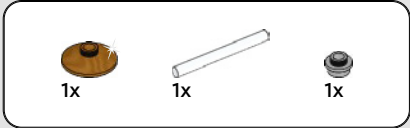
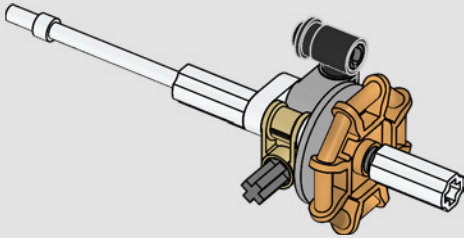


236

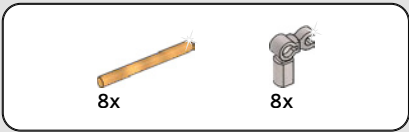
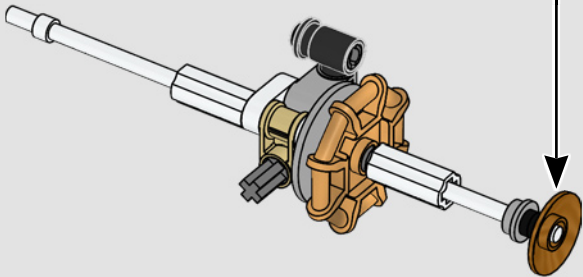
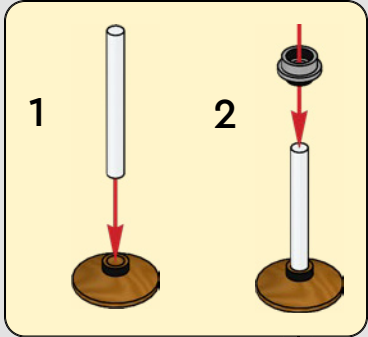




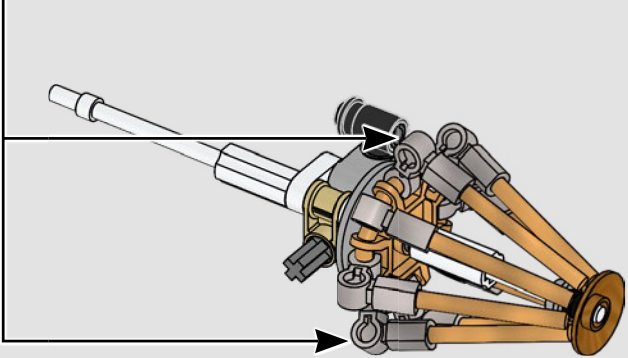
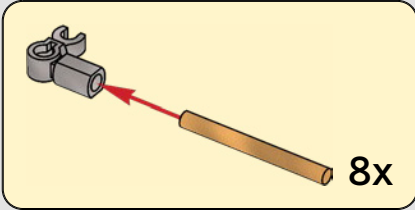
237



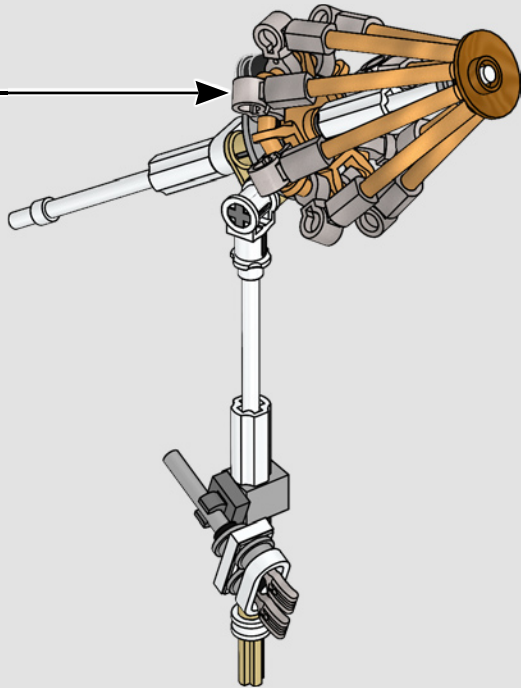
238



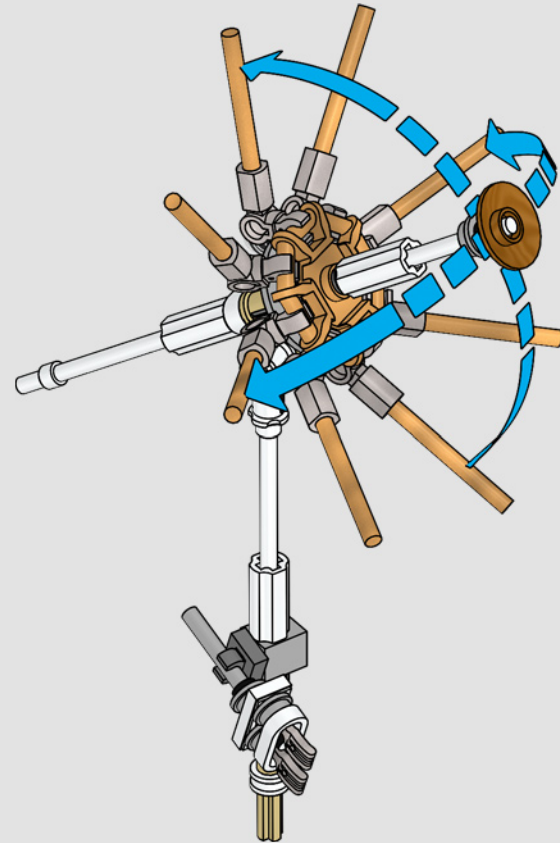
239



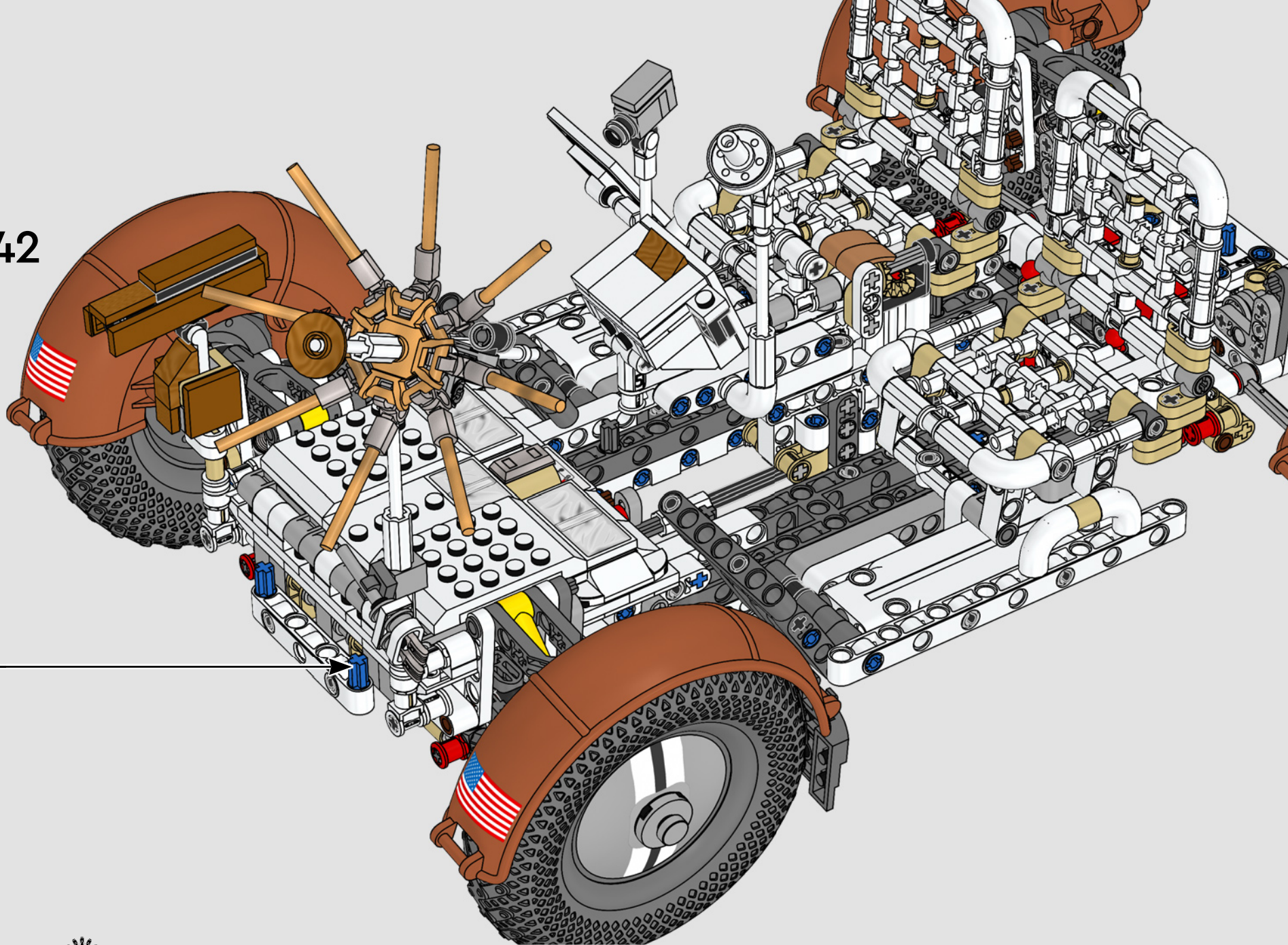
240

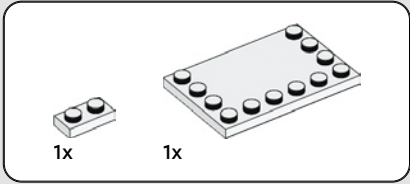
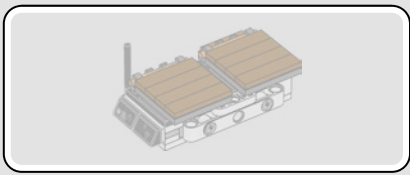


241

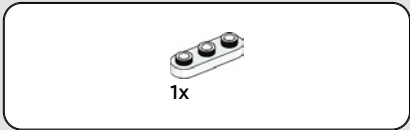
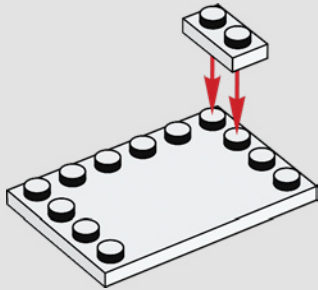


242

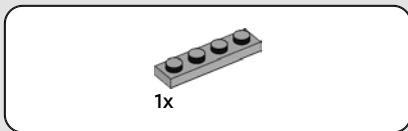
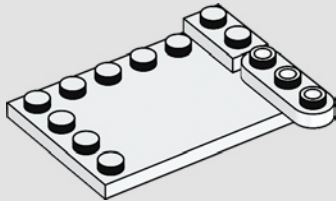




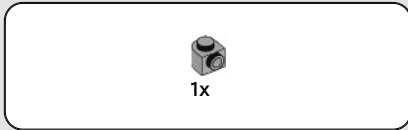
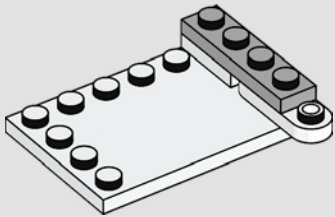
243



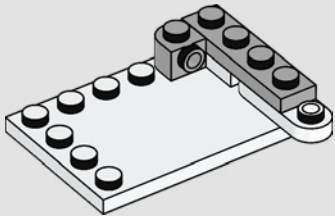
244

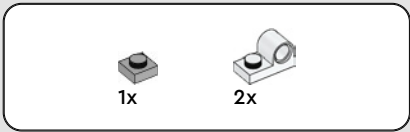


245

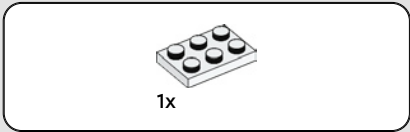
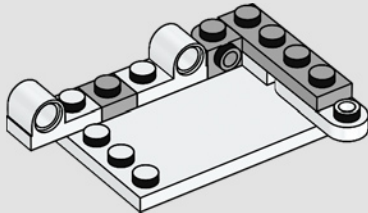


246

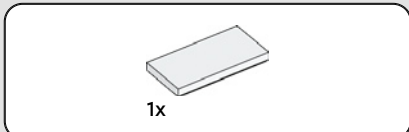
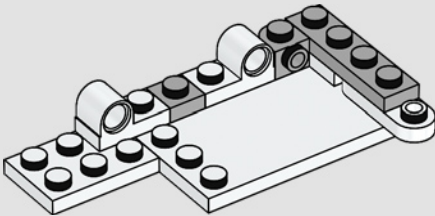




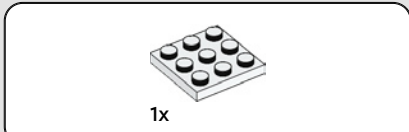
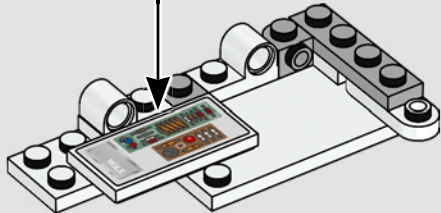
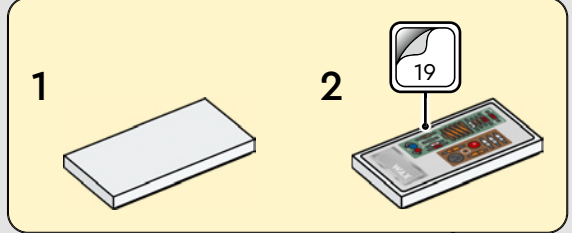
247



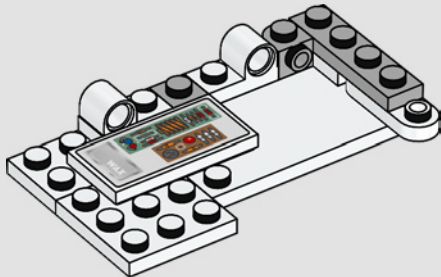
248



249



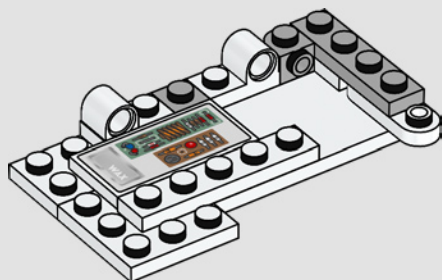
250





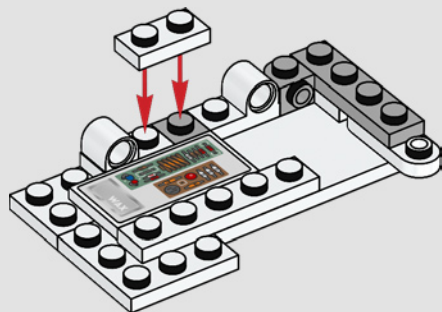
1x

251



1x

252

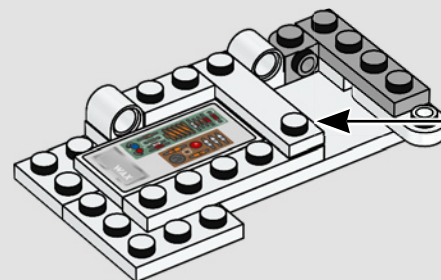


1x



1x

253



1x

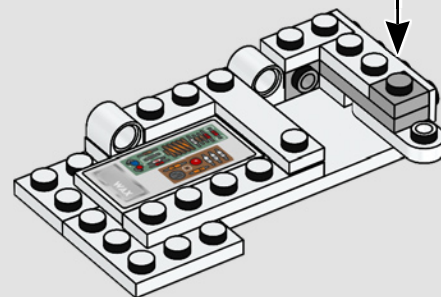


1x



1x

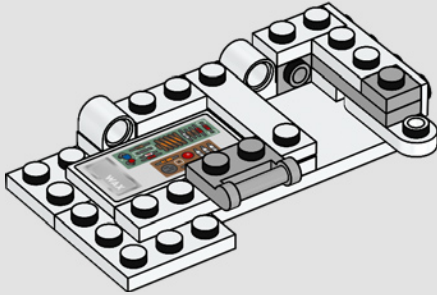
254





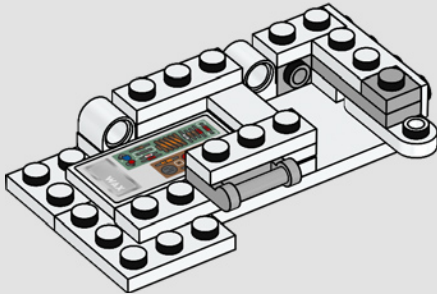
1x

255



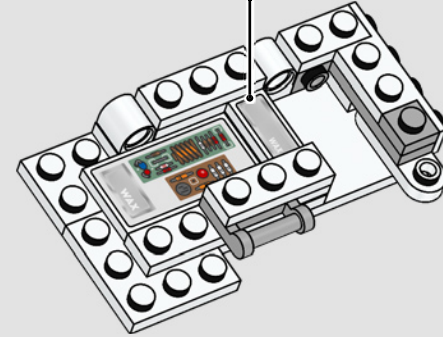
2x

256

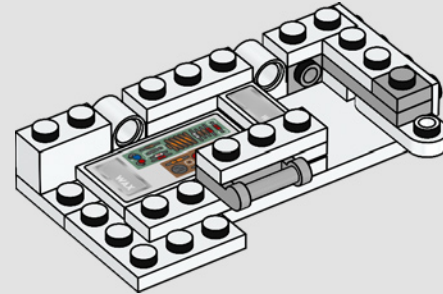


1x

257



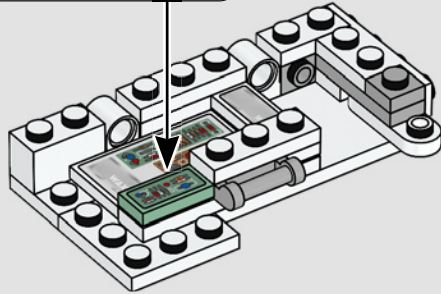
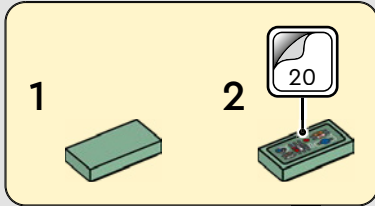
258





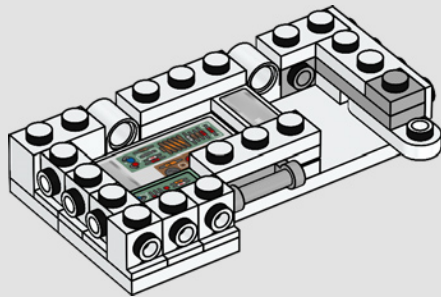
1x

259



6x

260

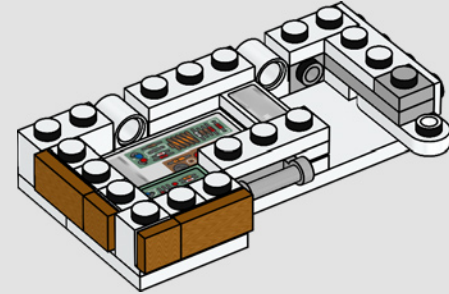


2x



2x

261

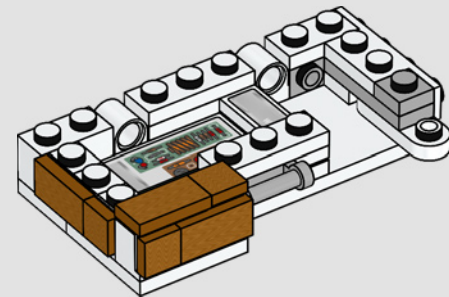


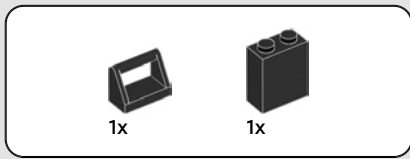
1x



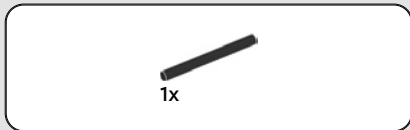
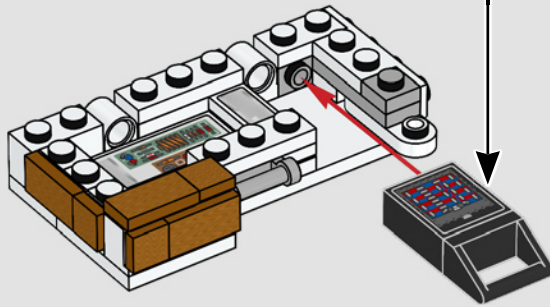
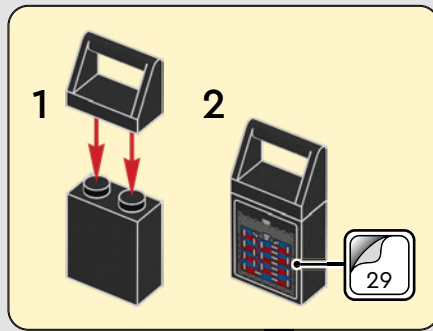
1x

262

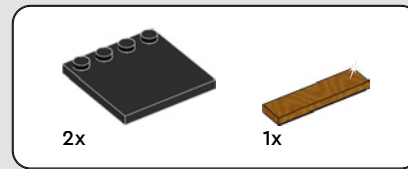
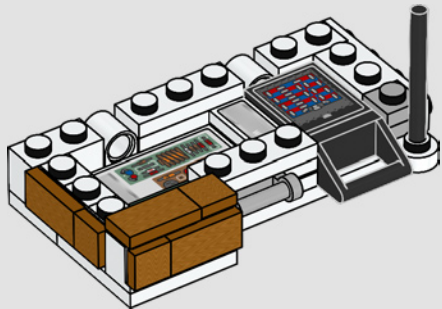




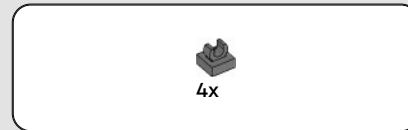
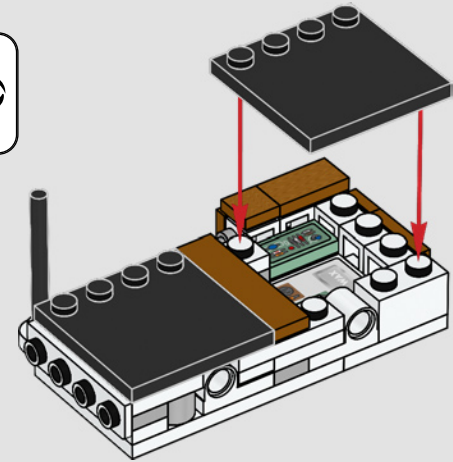
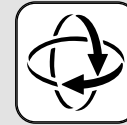
263



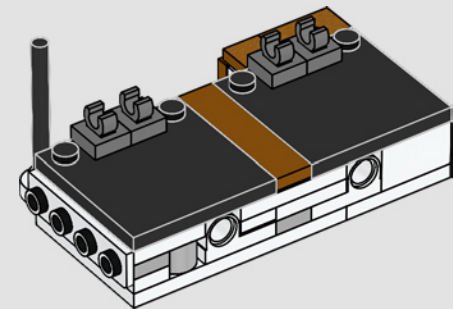
264



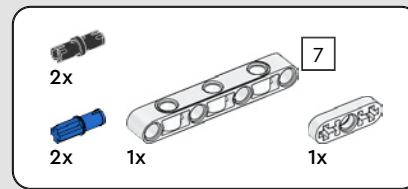
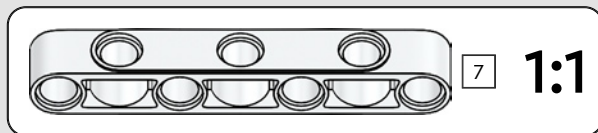
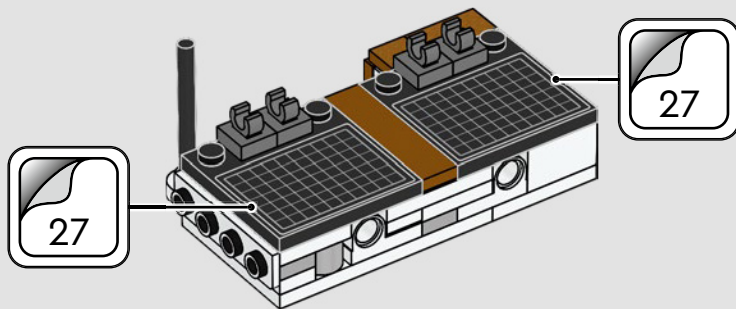
265



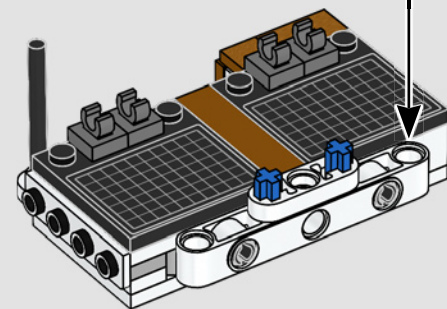
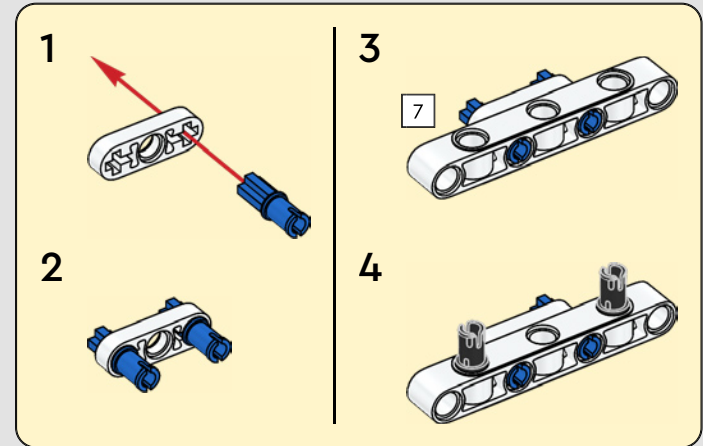
266

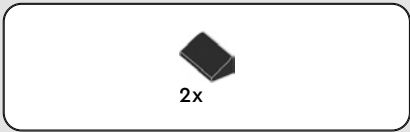


267

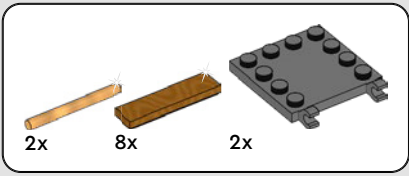
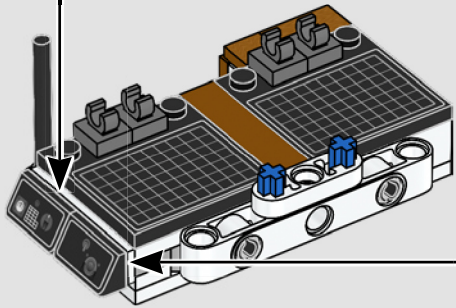
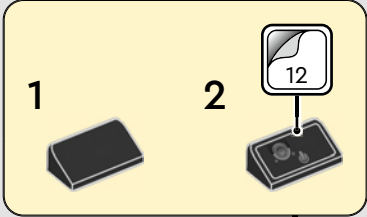
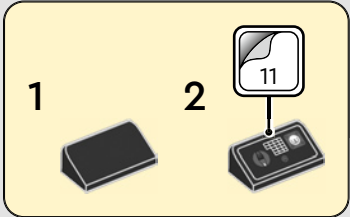


268

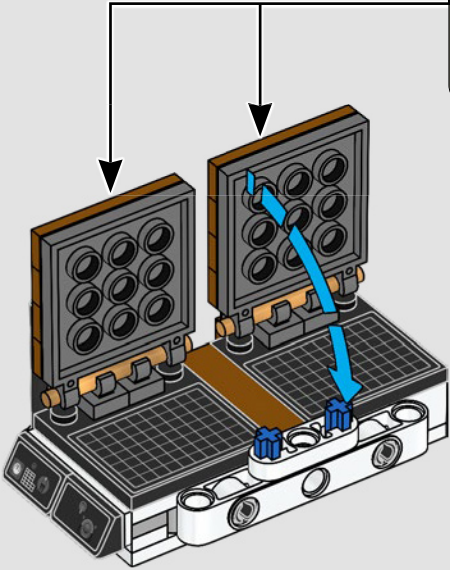
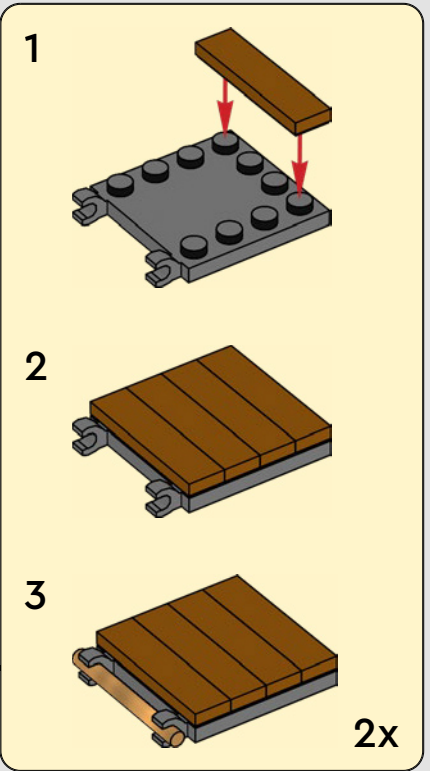


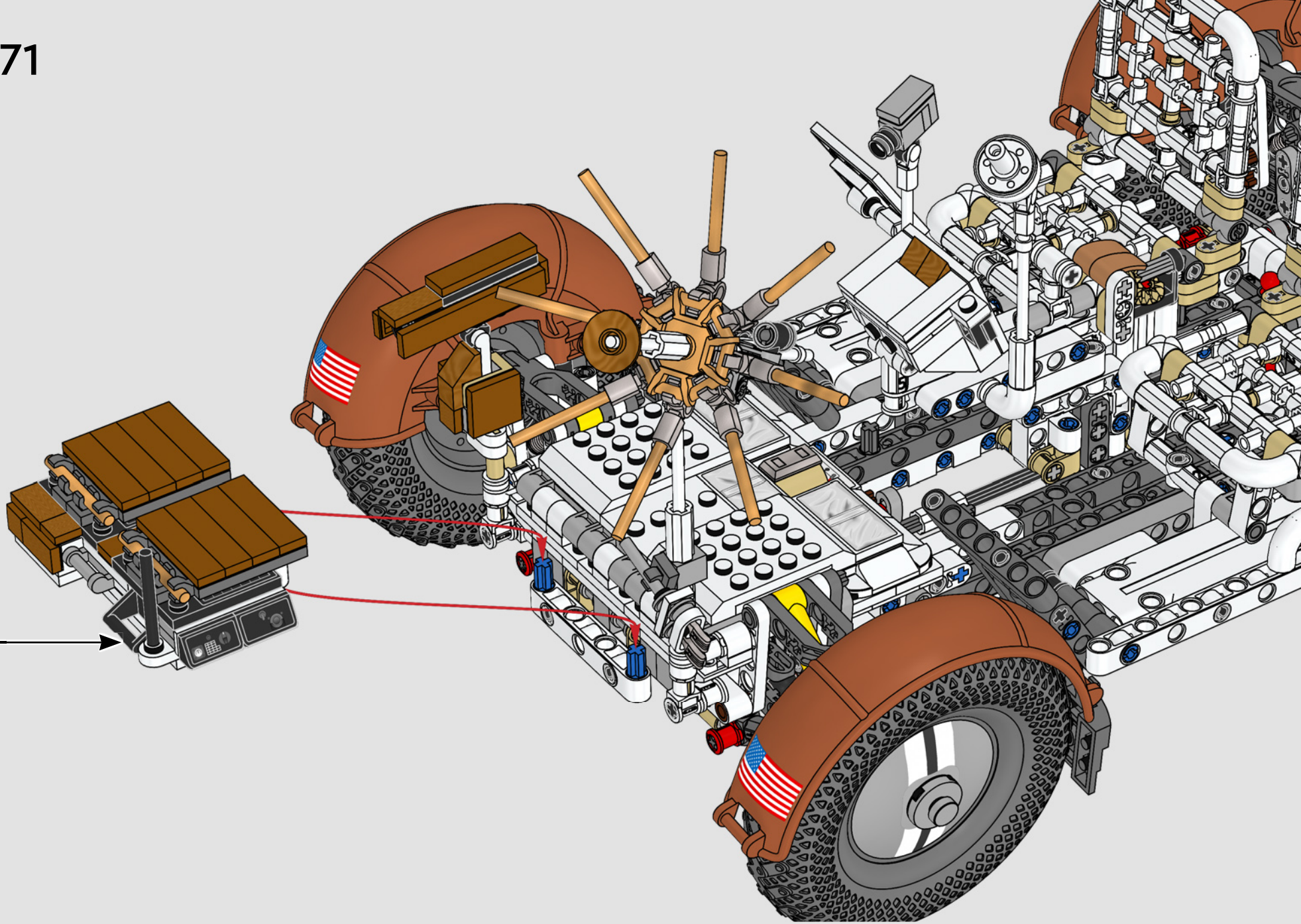


269

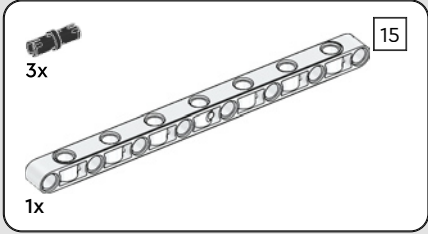
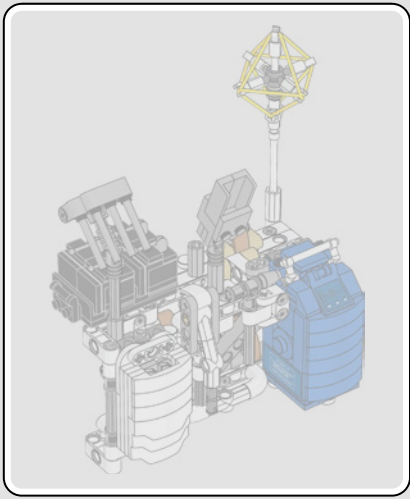


270

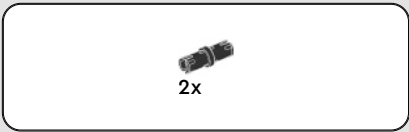
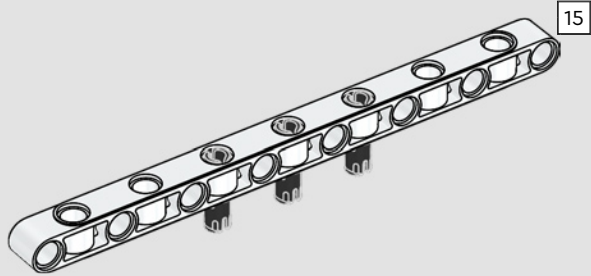




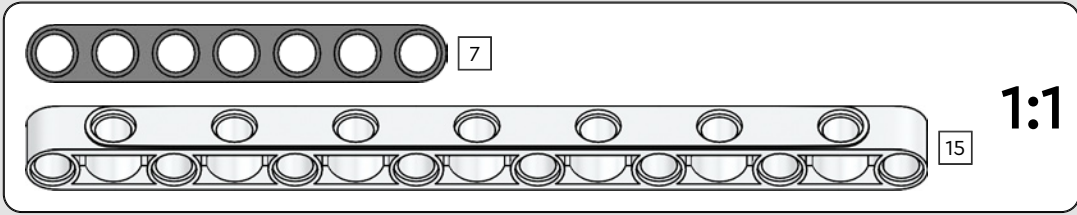
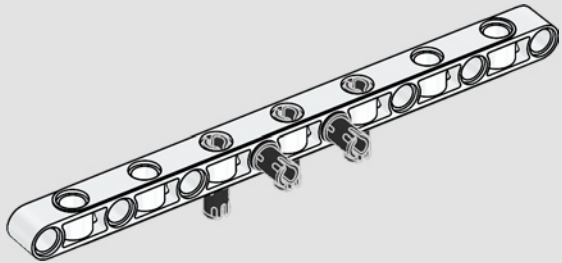


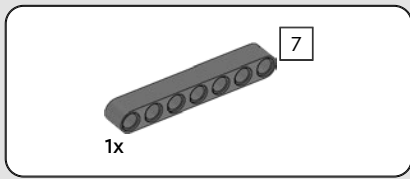


272

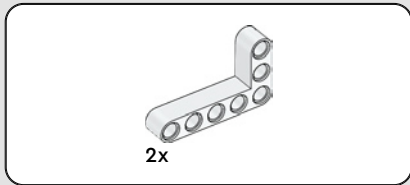
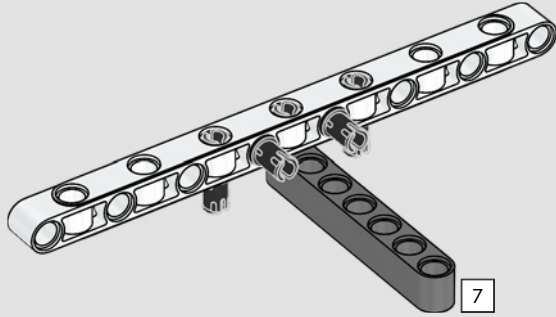


273

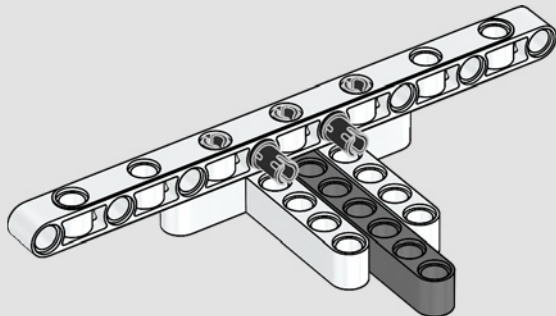




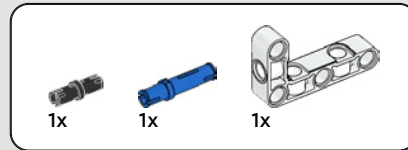
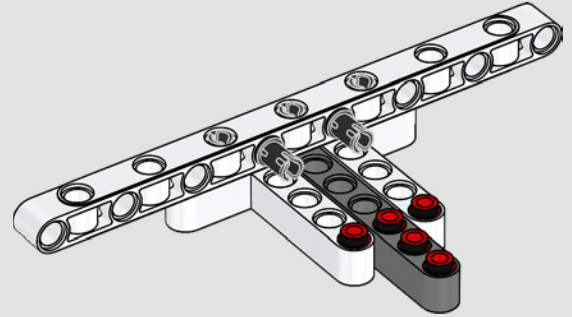
274



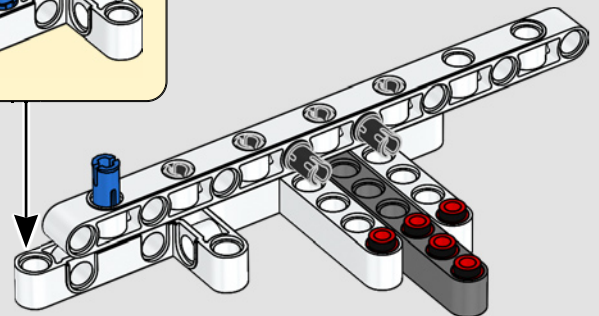
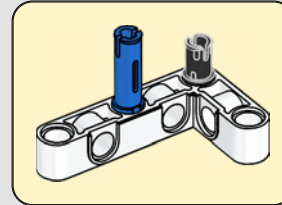
275



276



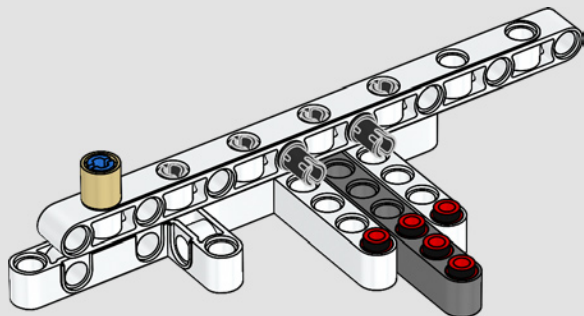
277





1x

278

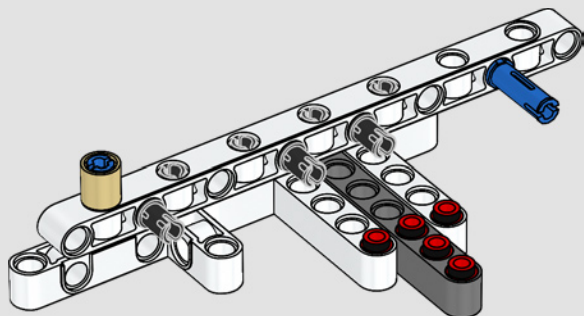


1x



1x

279



2x



2x

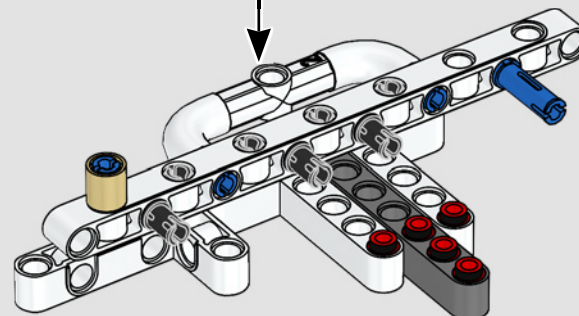
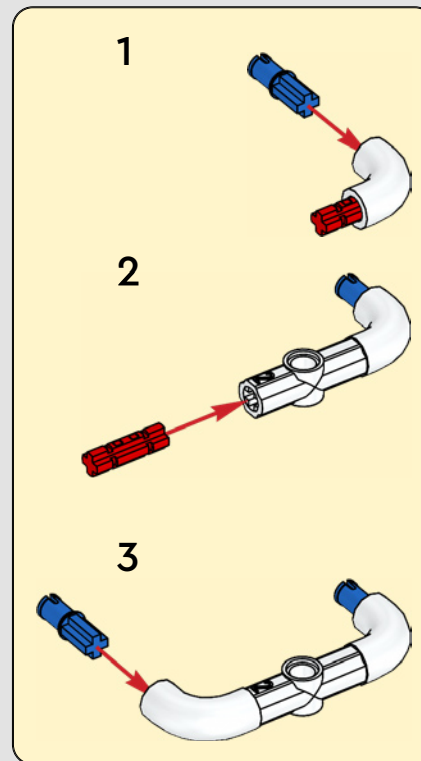


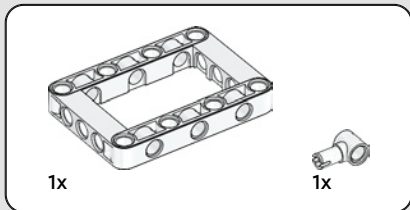
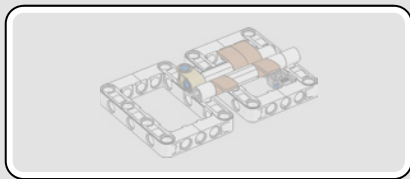
2x



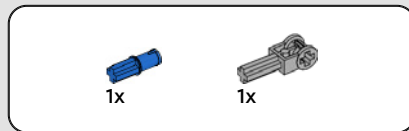
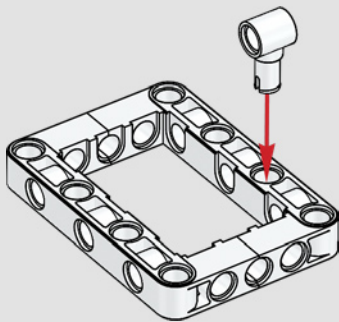
1x

280

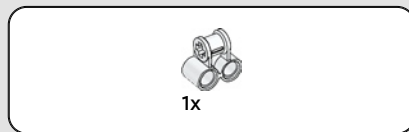
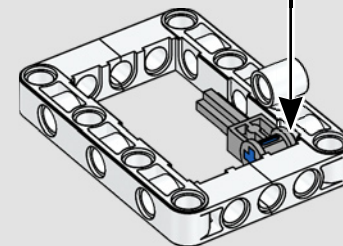
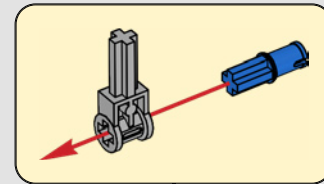




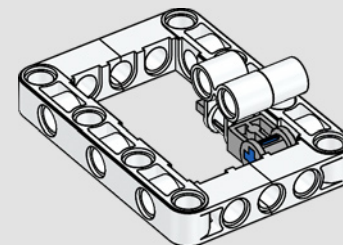
281

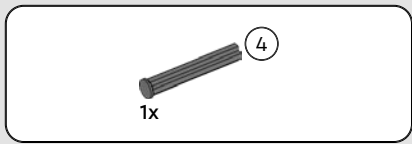


282

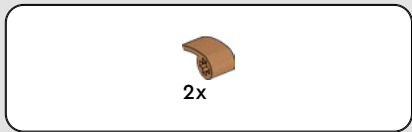
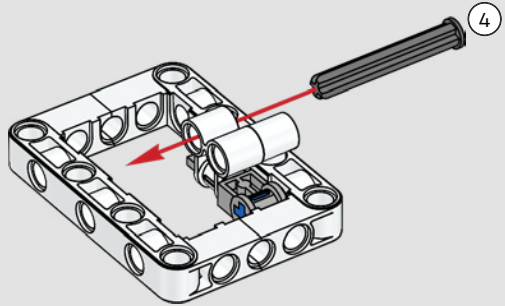


283

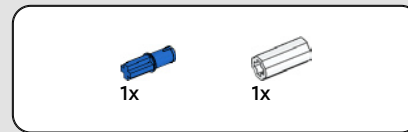
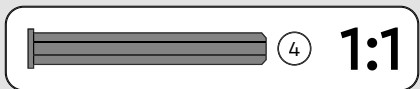
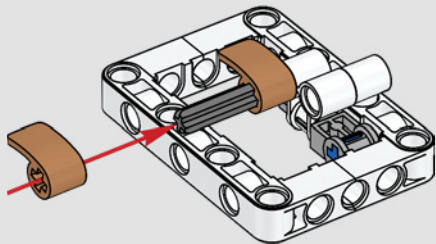




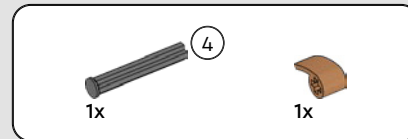
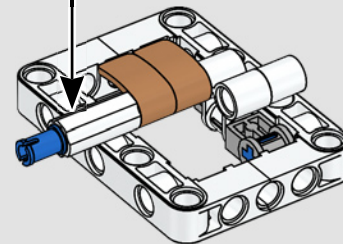
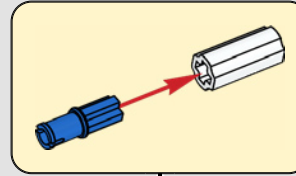
284



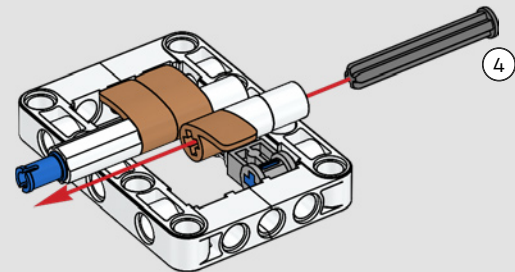
285

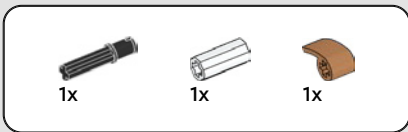


286

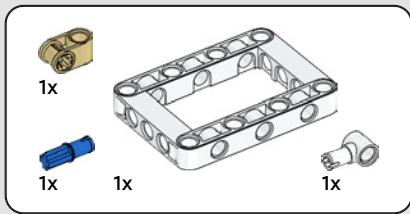
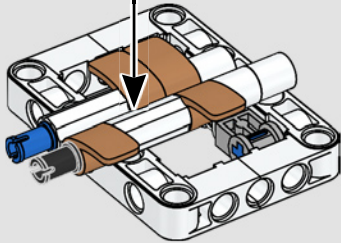
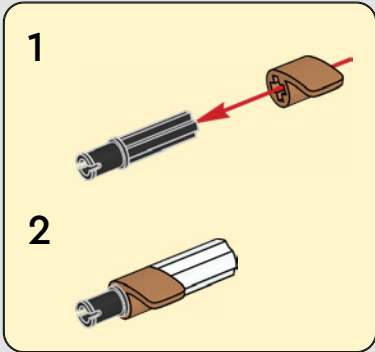


287

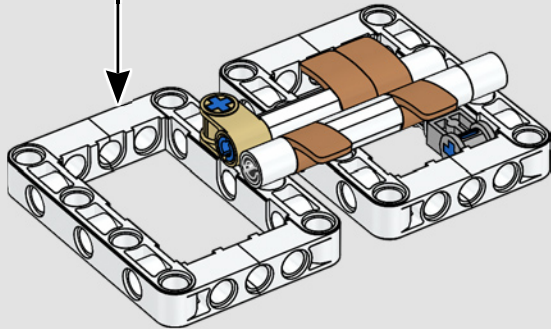
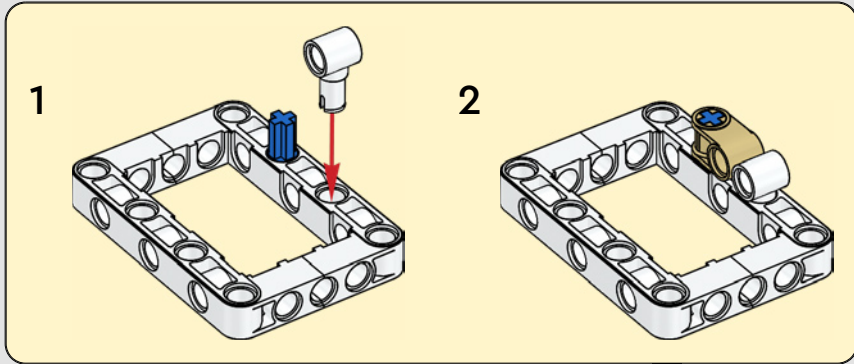




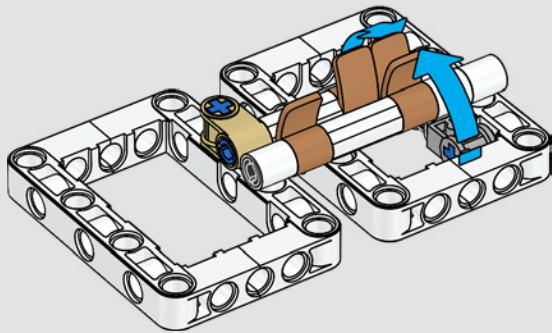
288



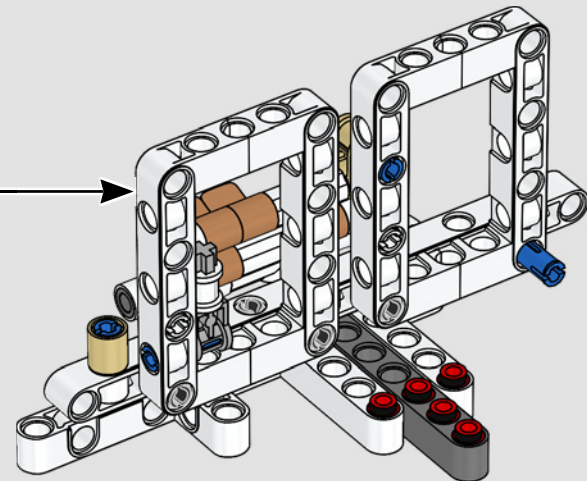
289

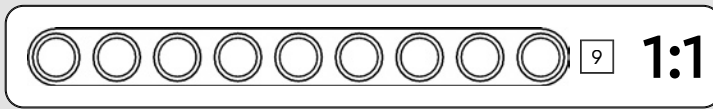
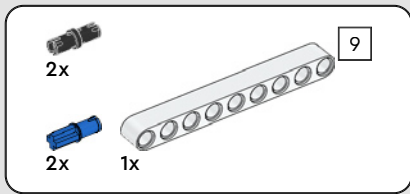


290

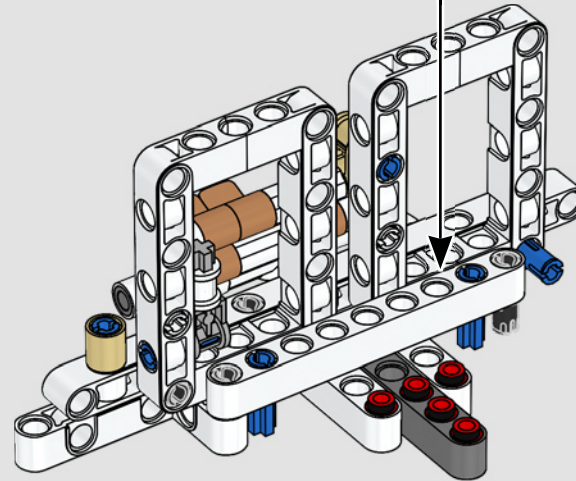
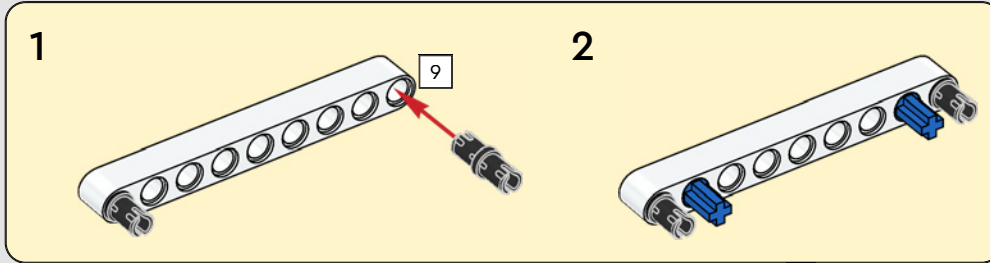


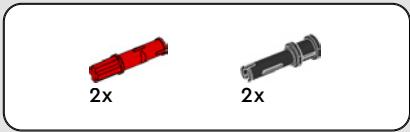
291



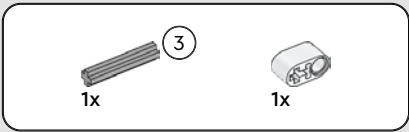
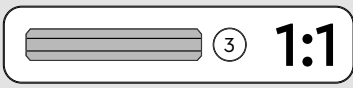
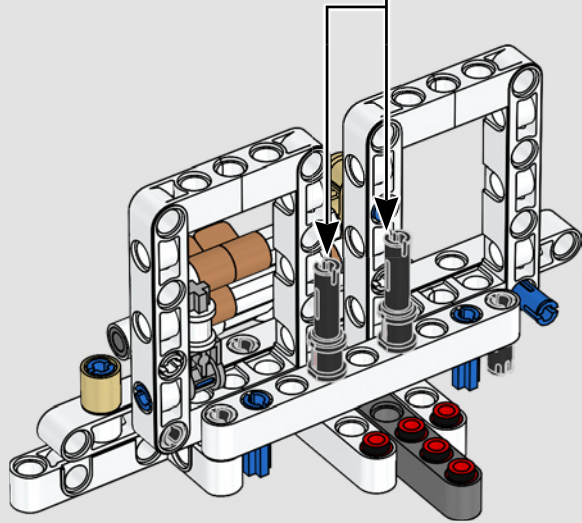
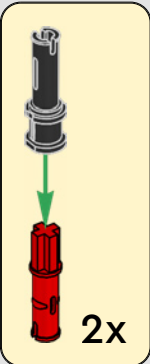


292

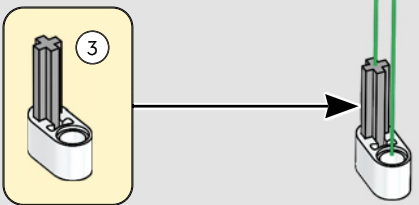
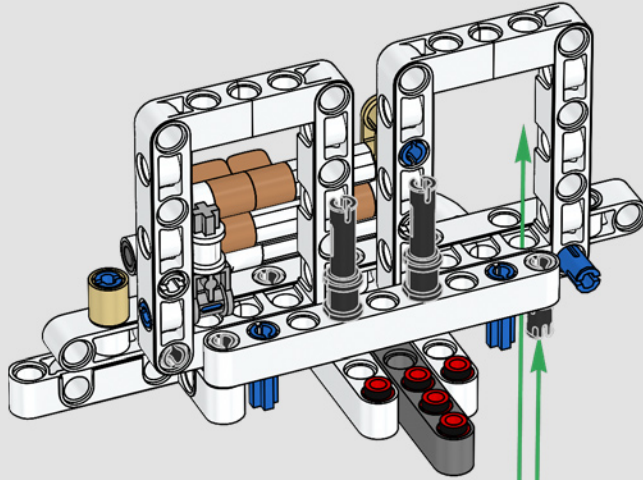


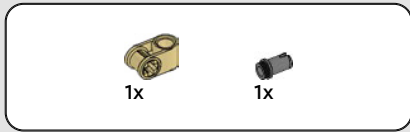


293

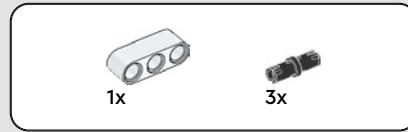
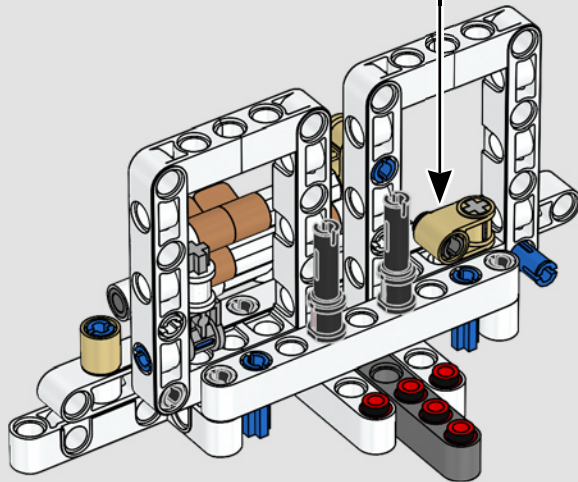
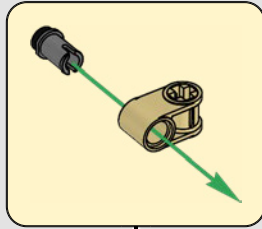


294

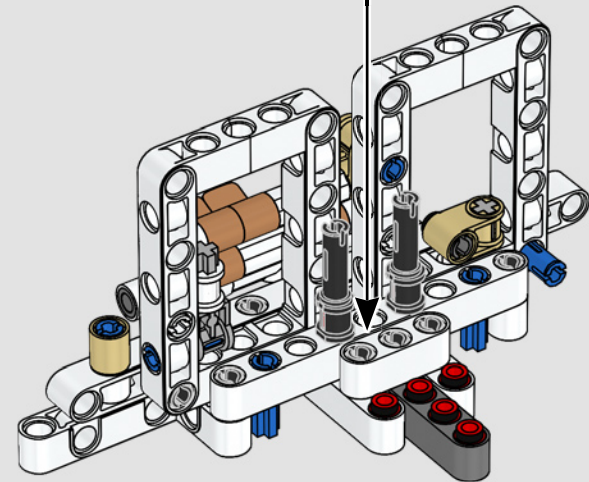
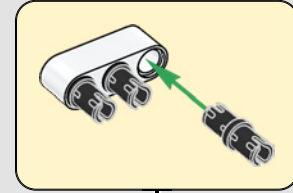




295



296



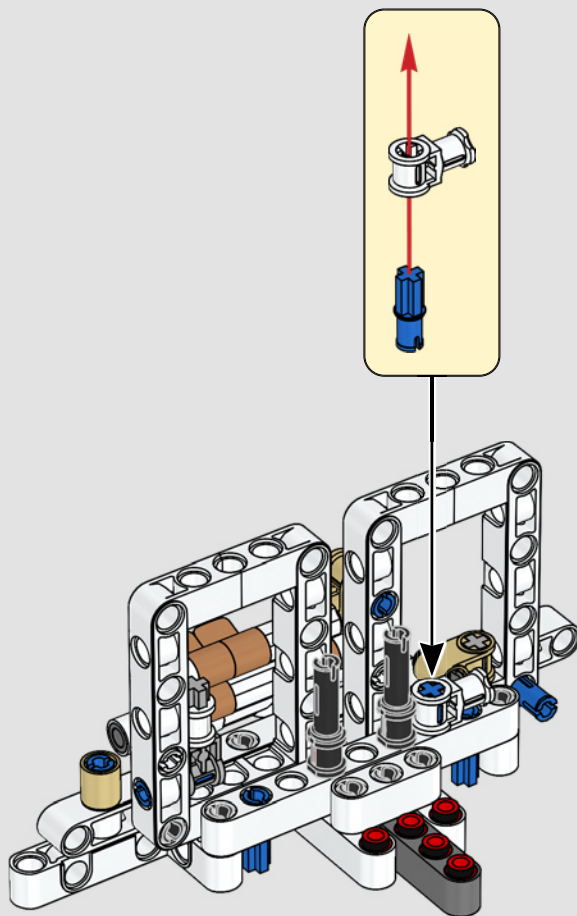


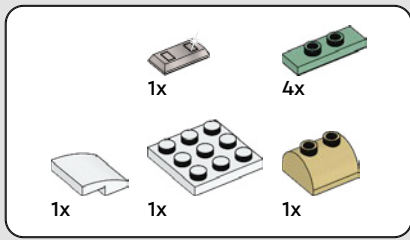
1x



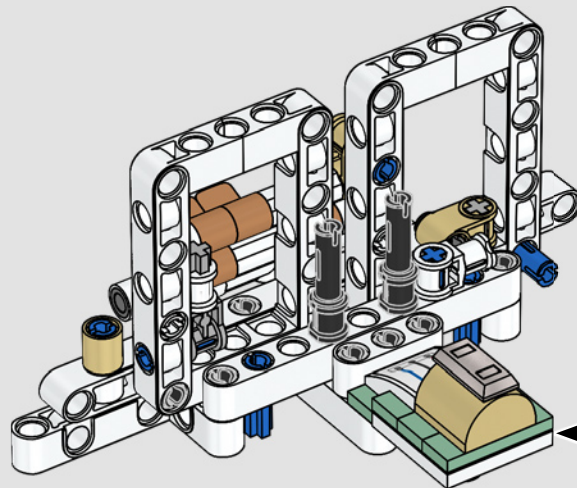
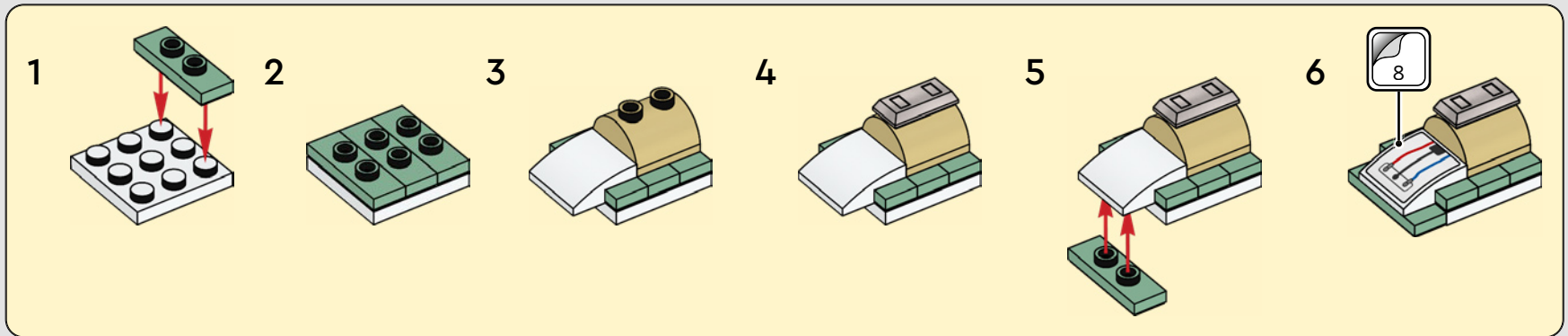
1x

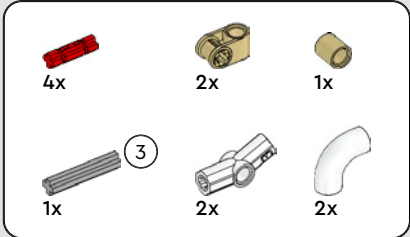
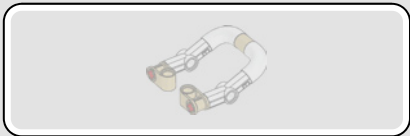
297



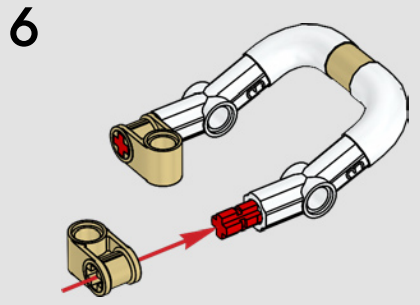
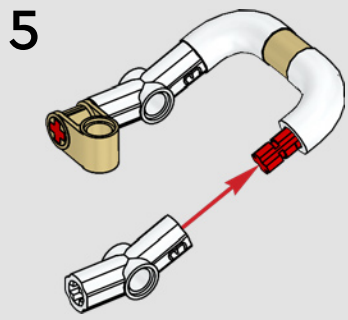
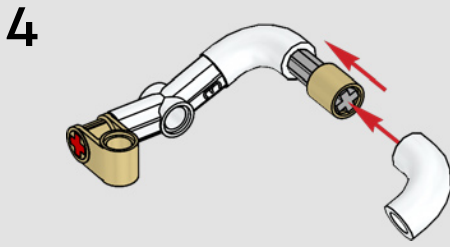
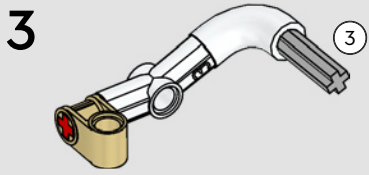
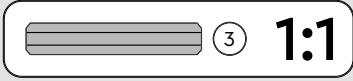
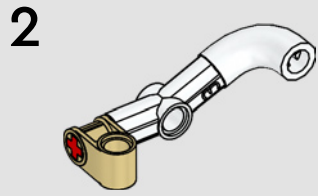
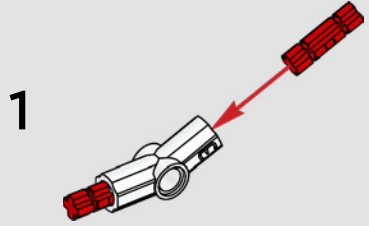


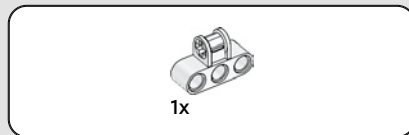
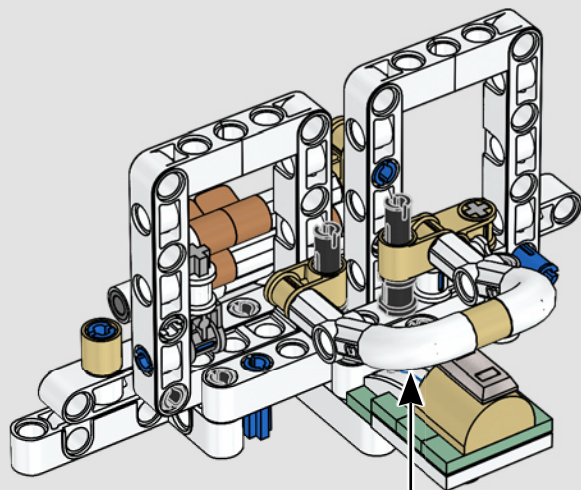
298



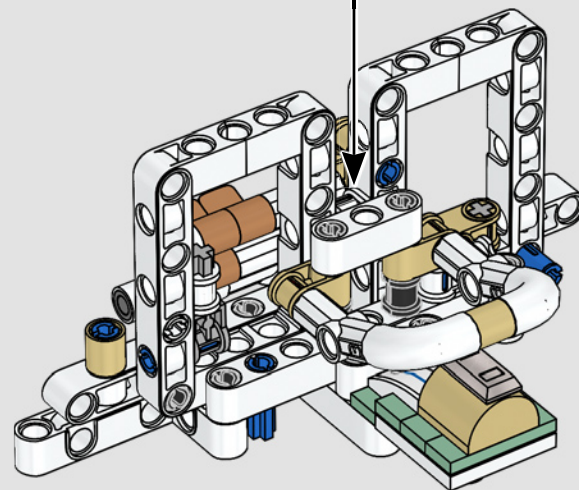
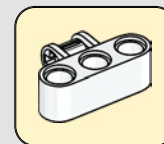


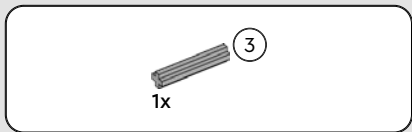
299



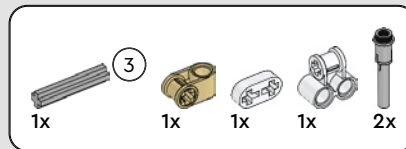
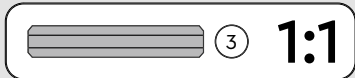
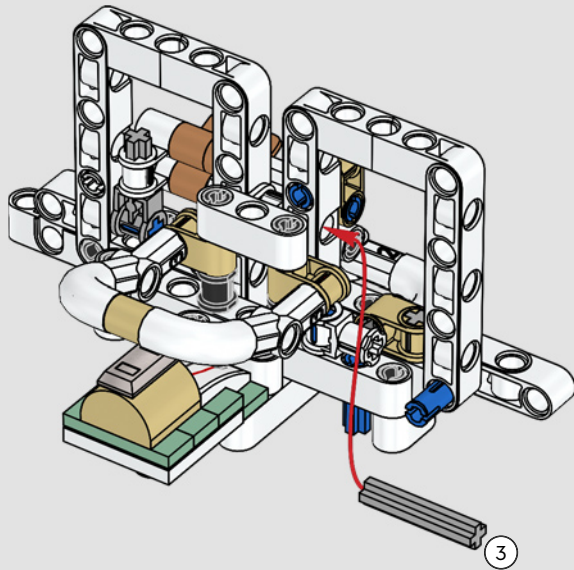


300

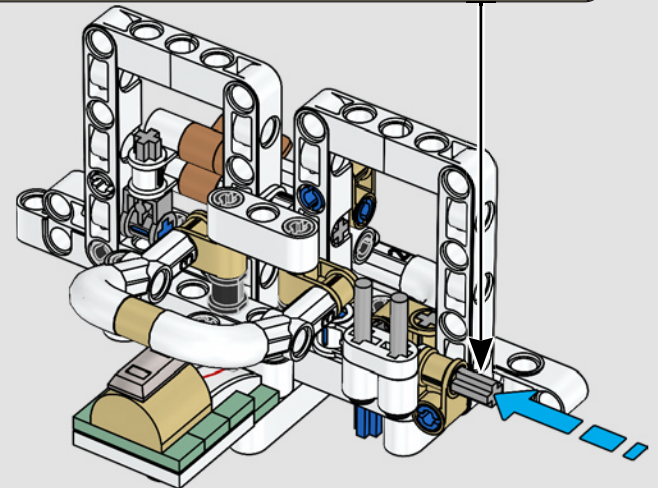
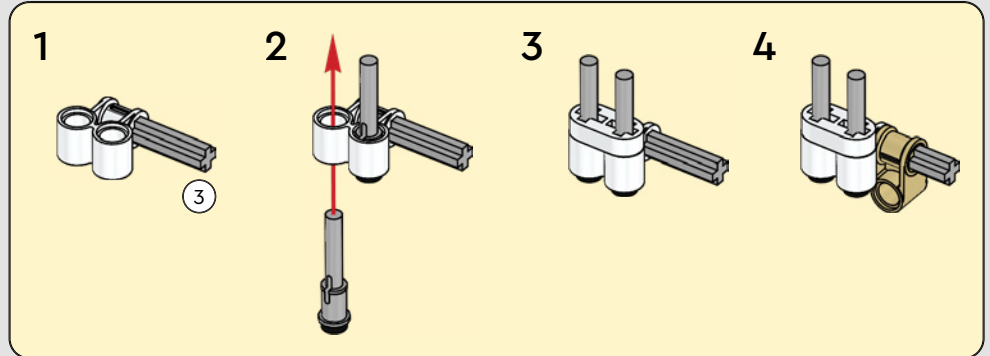


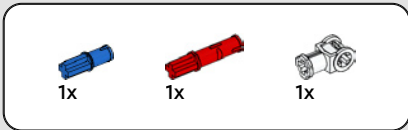


301

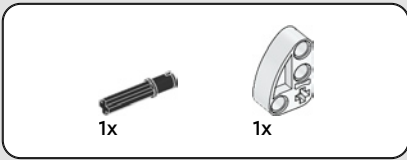
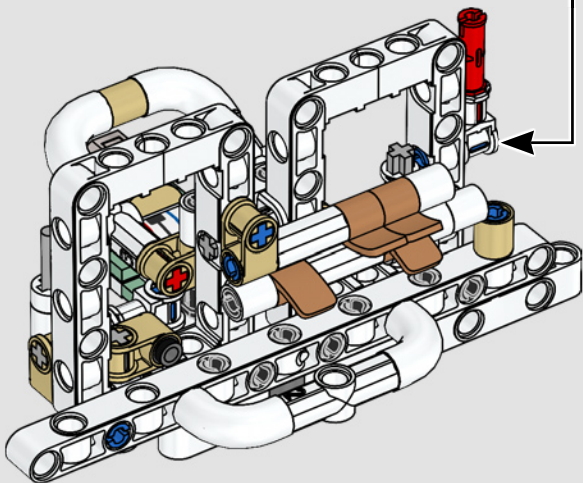
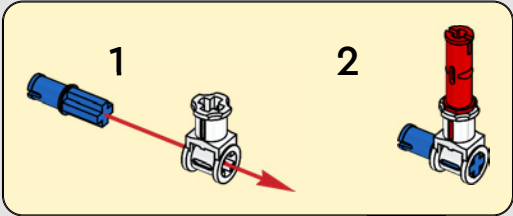


302

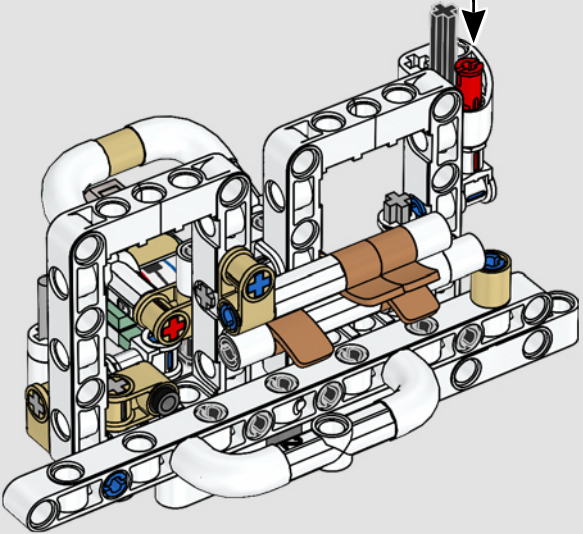
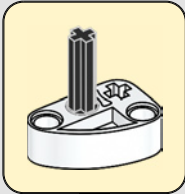


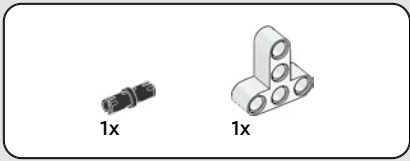


303

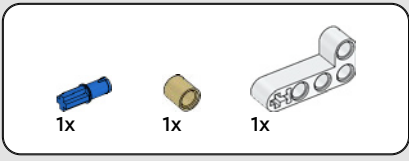
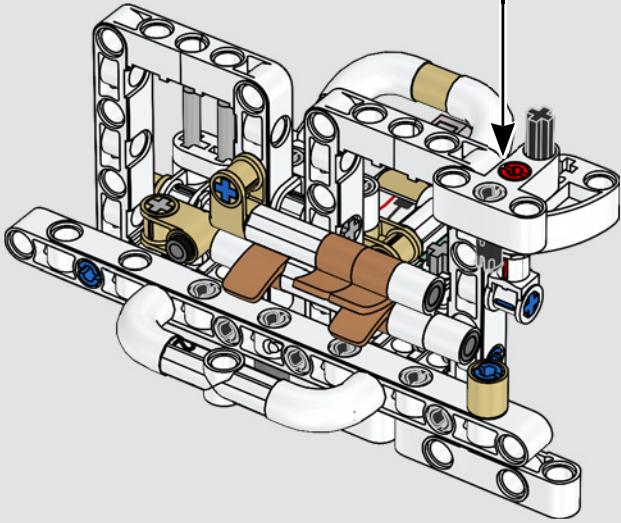
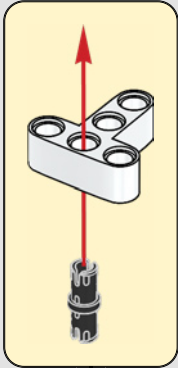


304

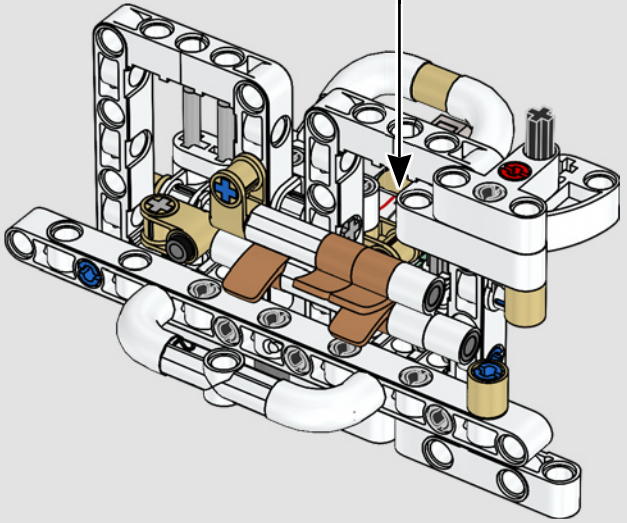
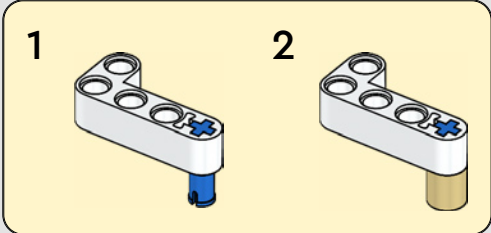


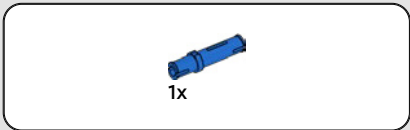


305

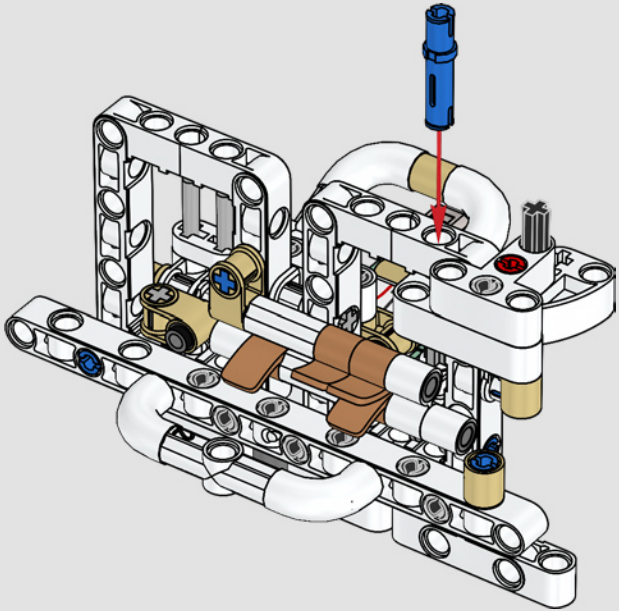


306

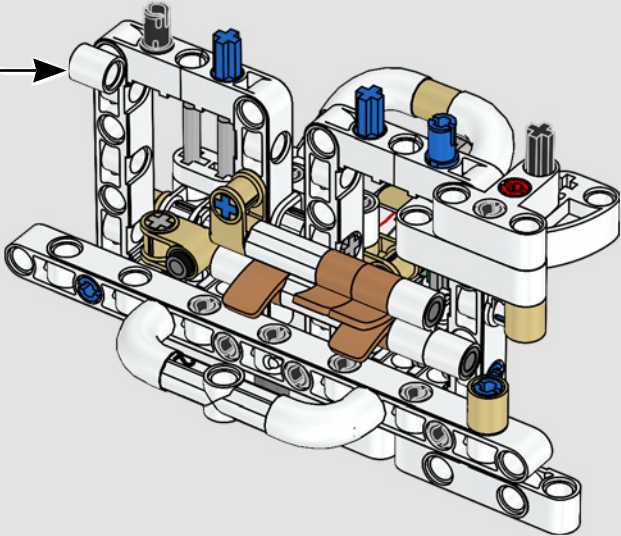




307



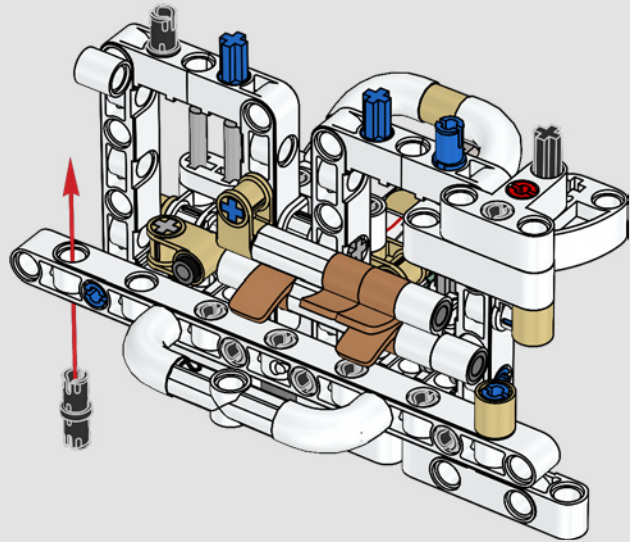
308





1x

309

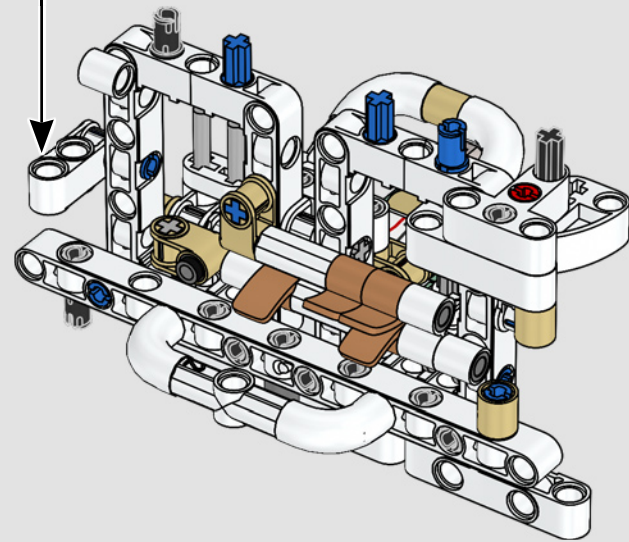
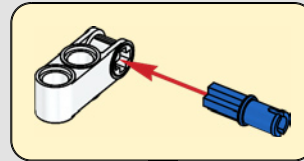


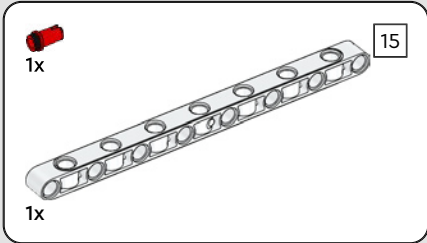
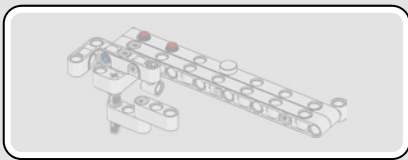
1x



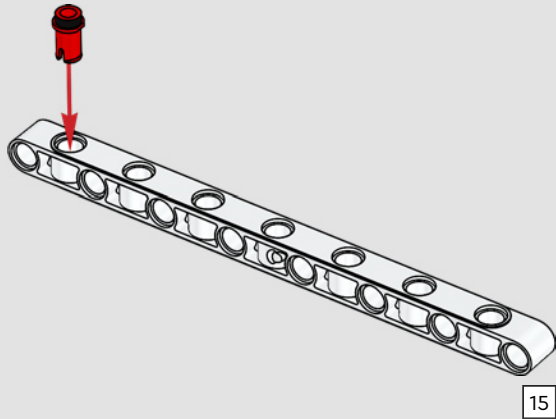
1x

310

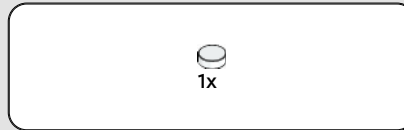
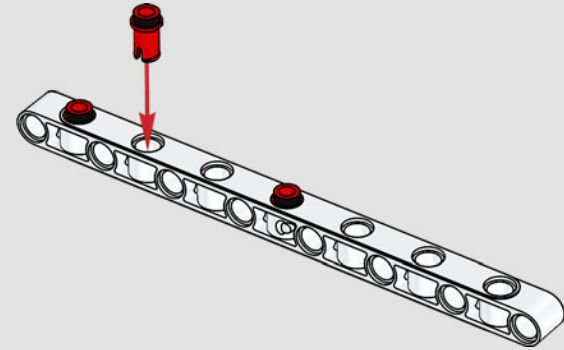




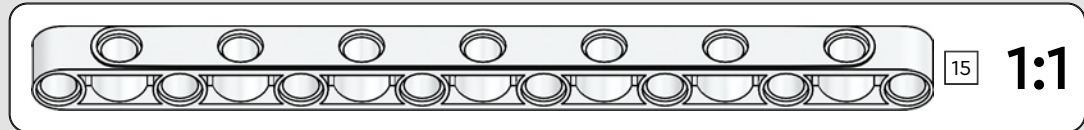
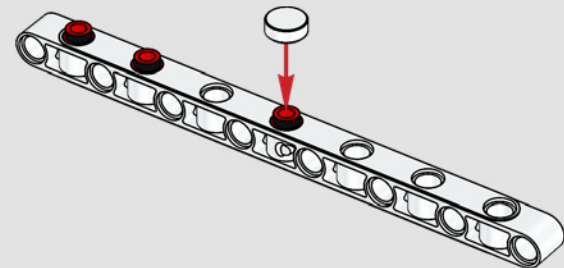
311

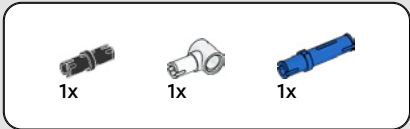


312

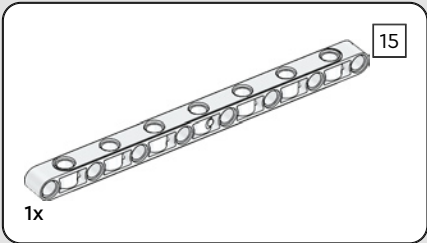


313

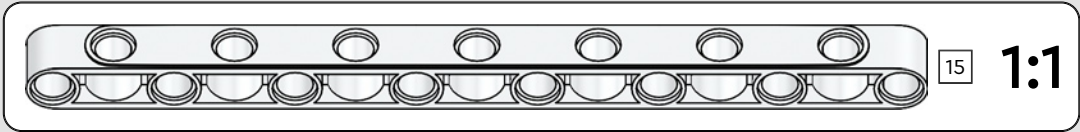
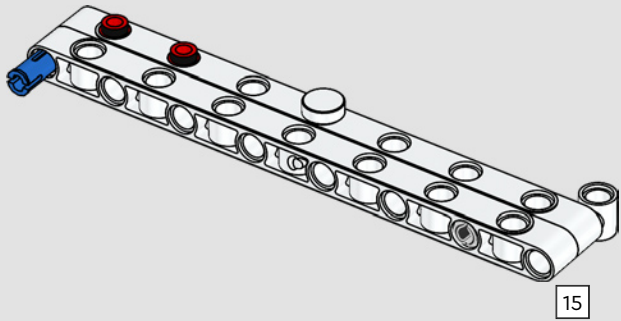
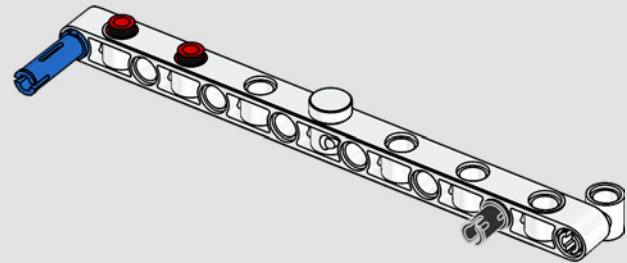


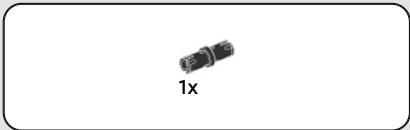


314

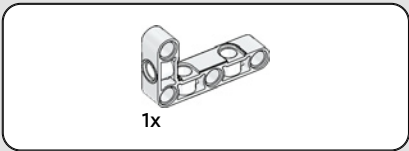
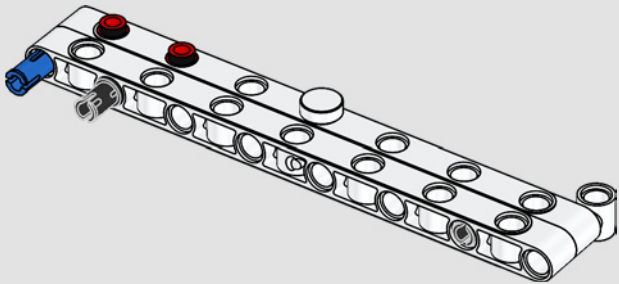


315

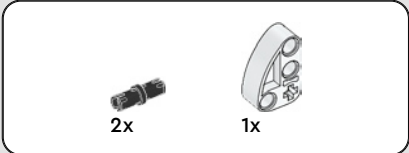
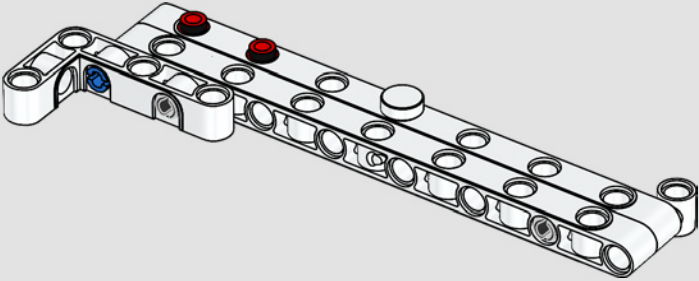




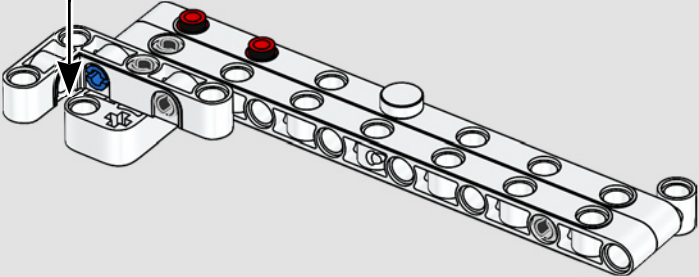
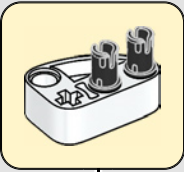
316



317



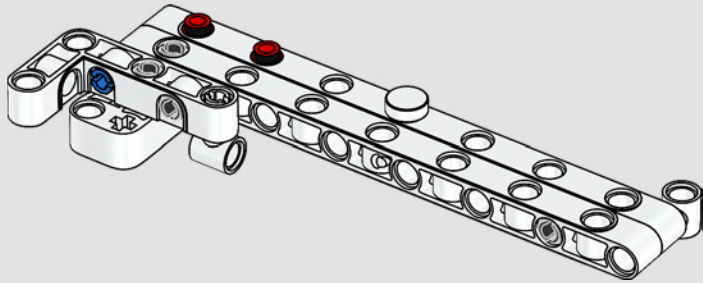
318





1x

319

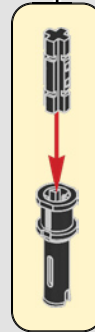
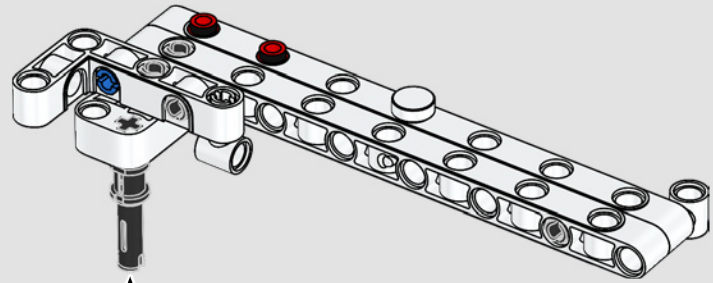


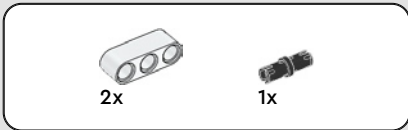
1x



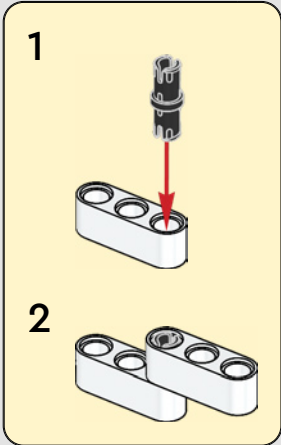
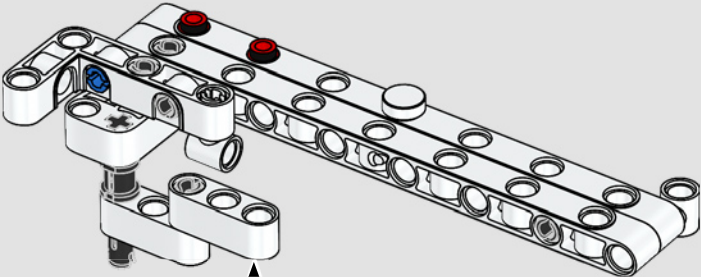
1x

320

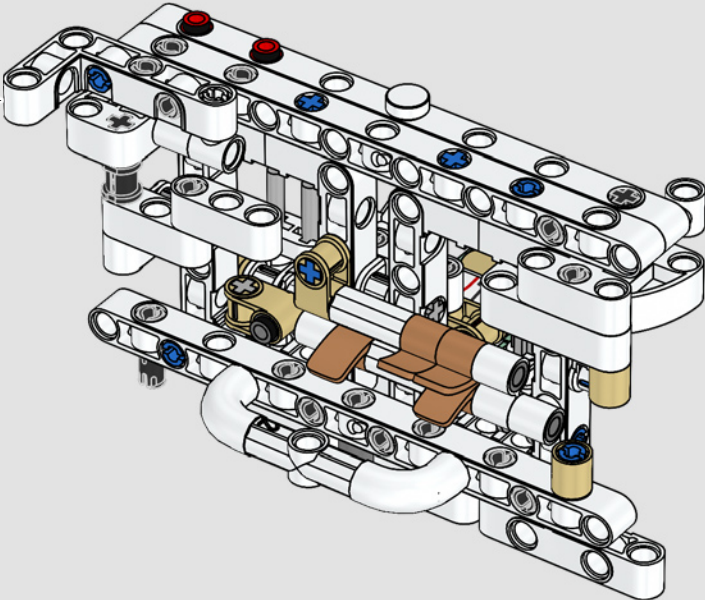


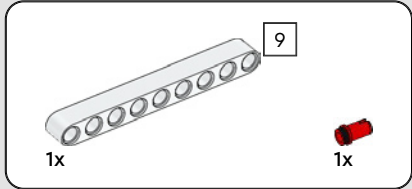
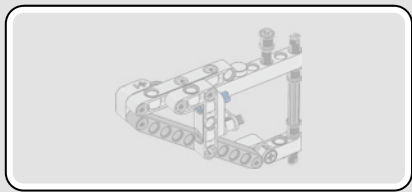


321

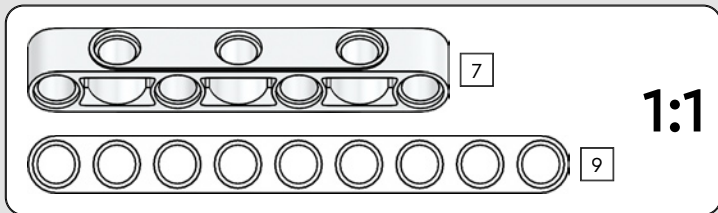
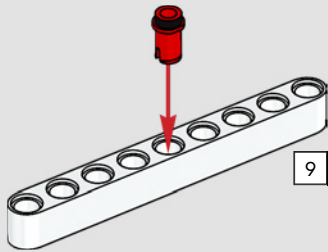


322

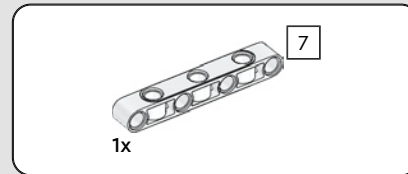
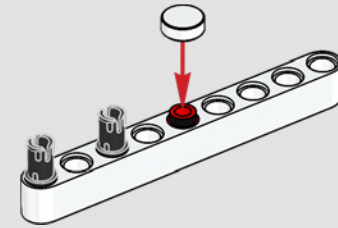




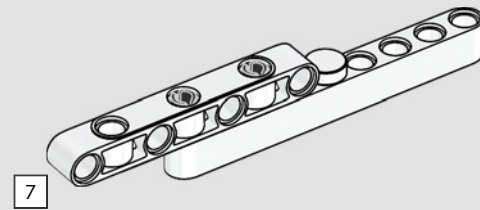
323

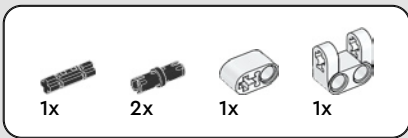


324

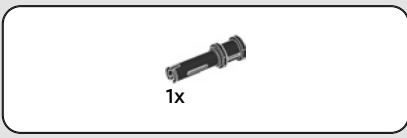
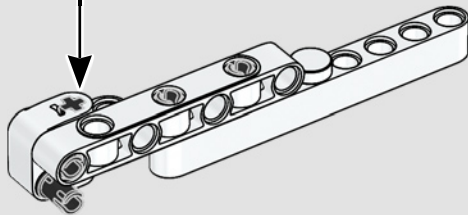
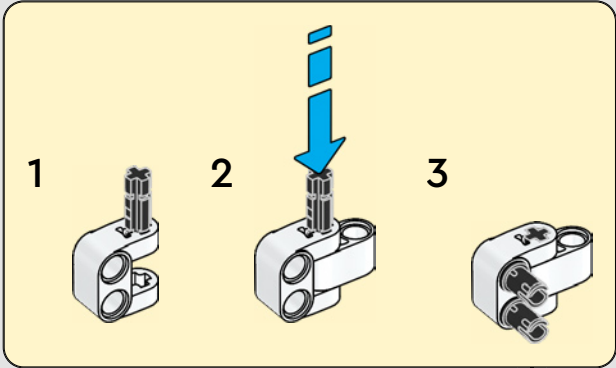


325

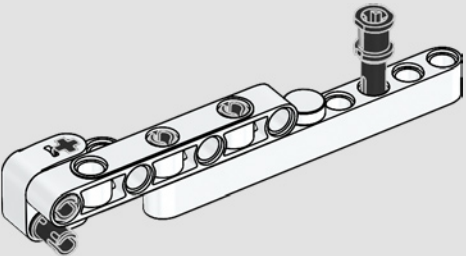


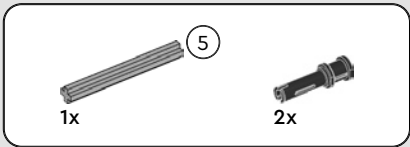


326

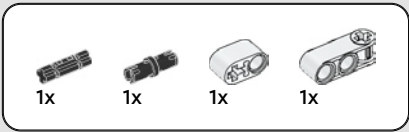
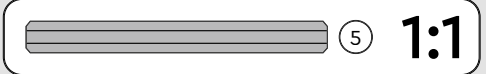
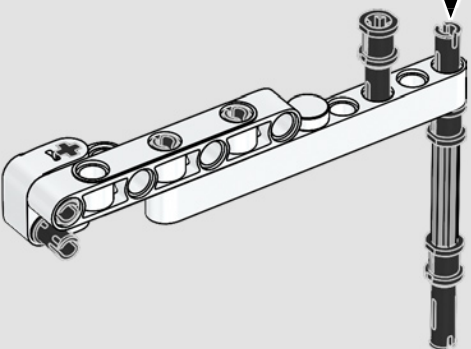
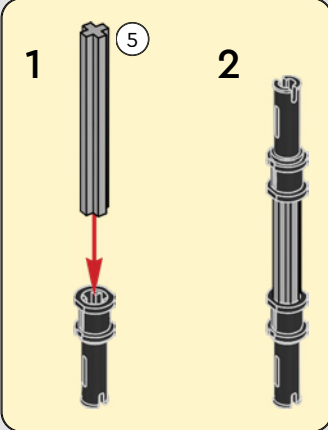


327

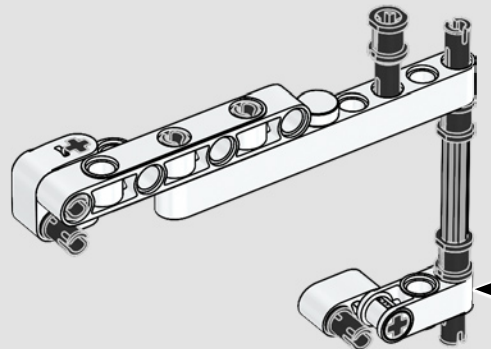
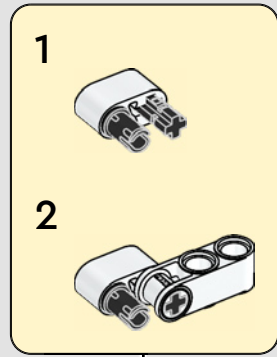


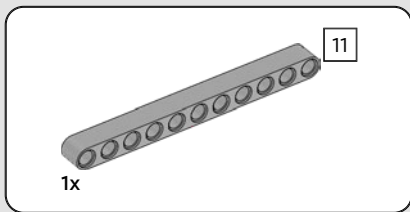


328

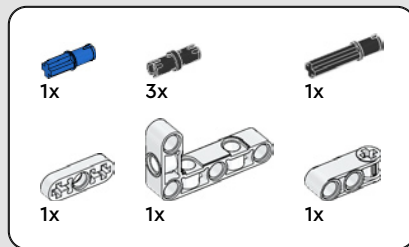
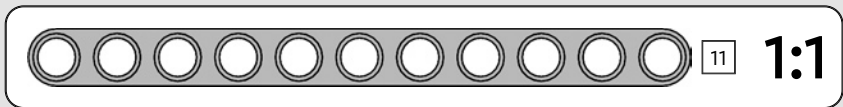
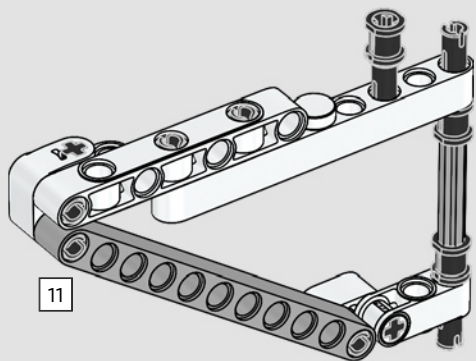


329

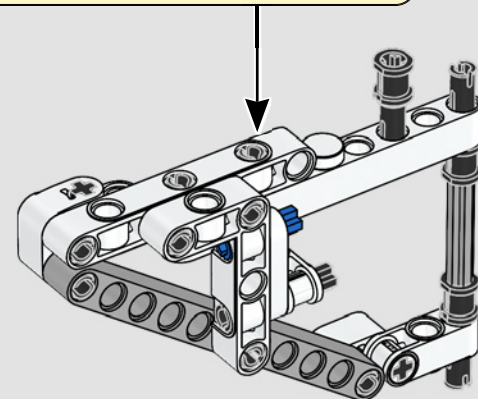
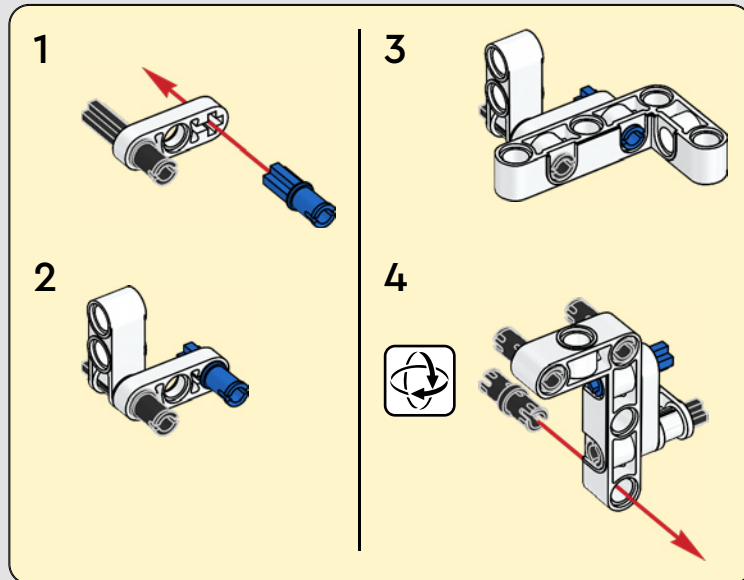




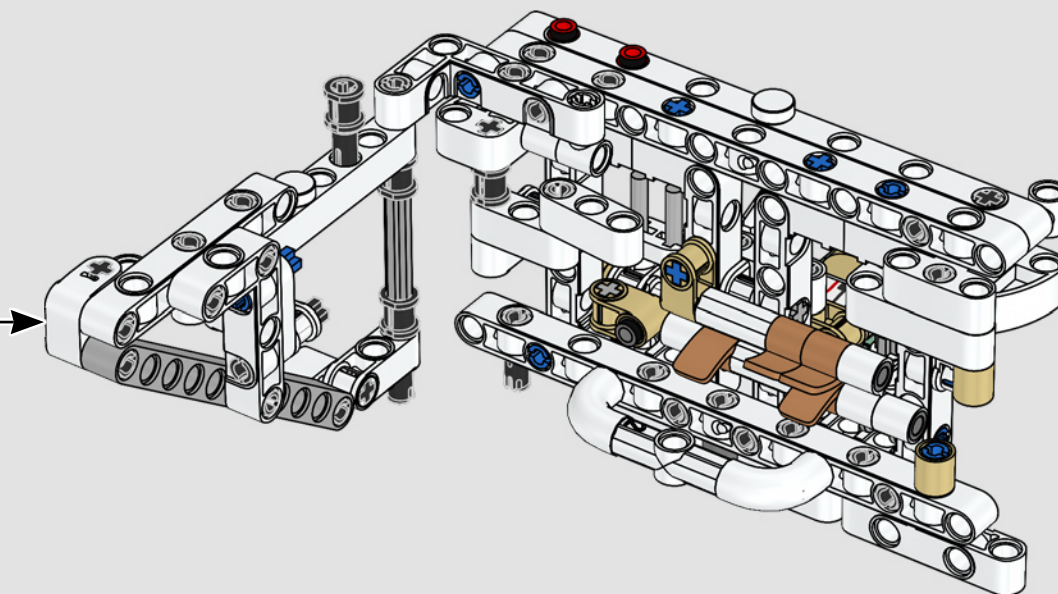
330



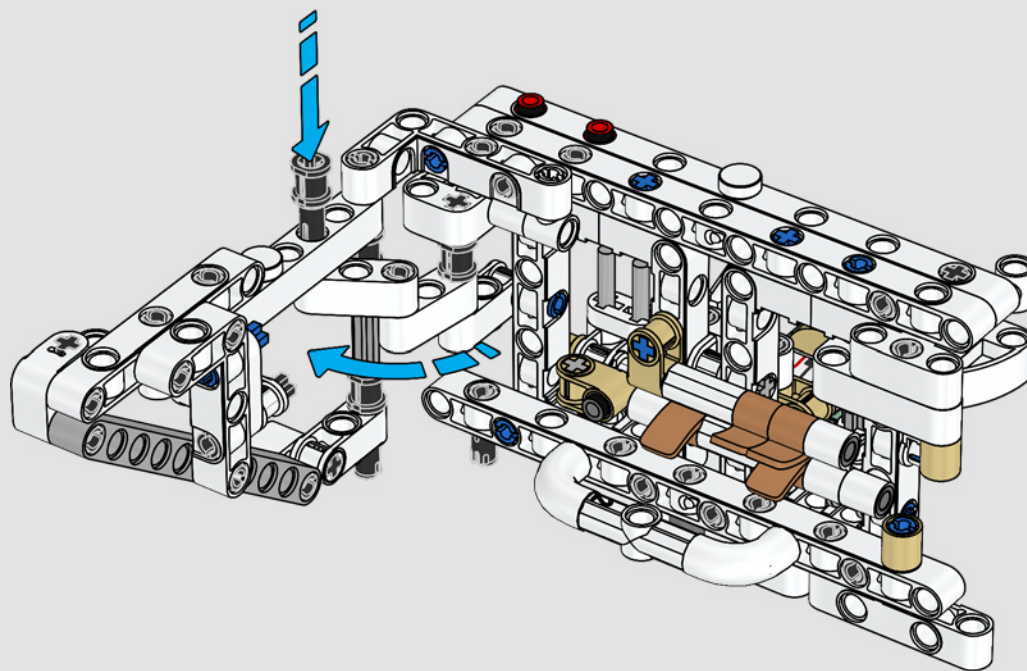
331

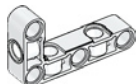


332



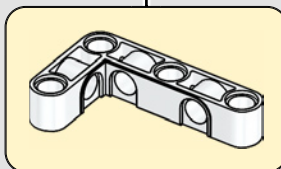
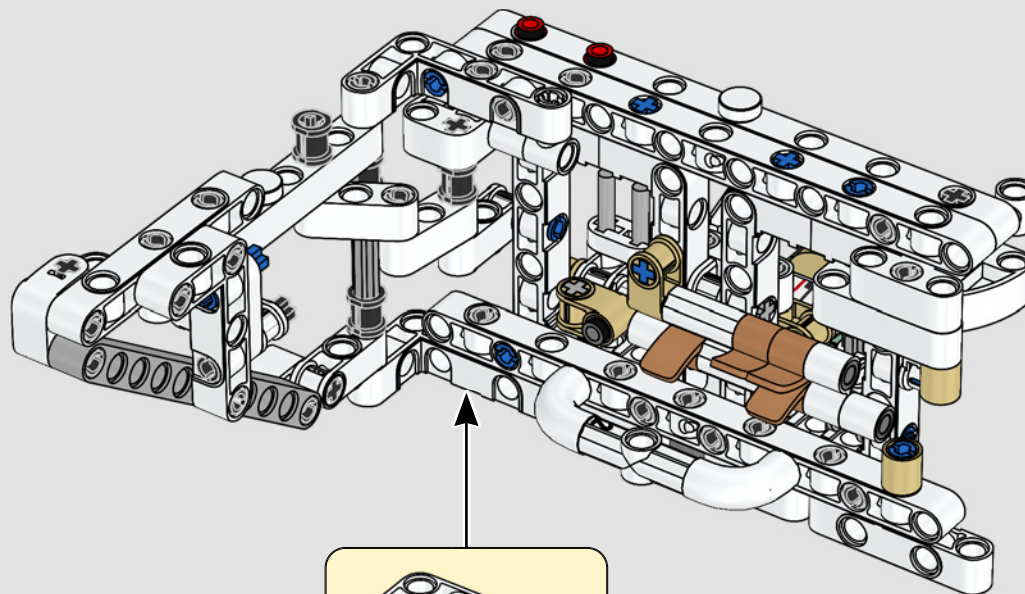
333

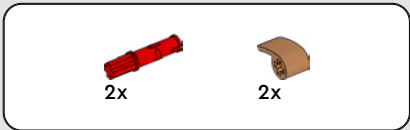




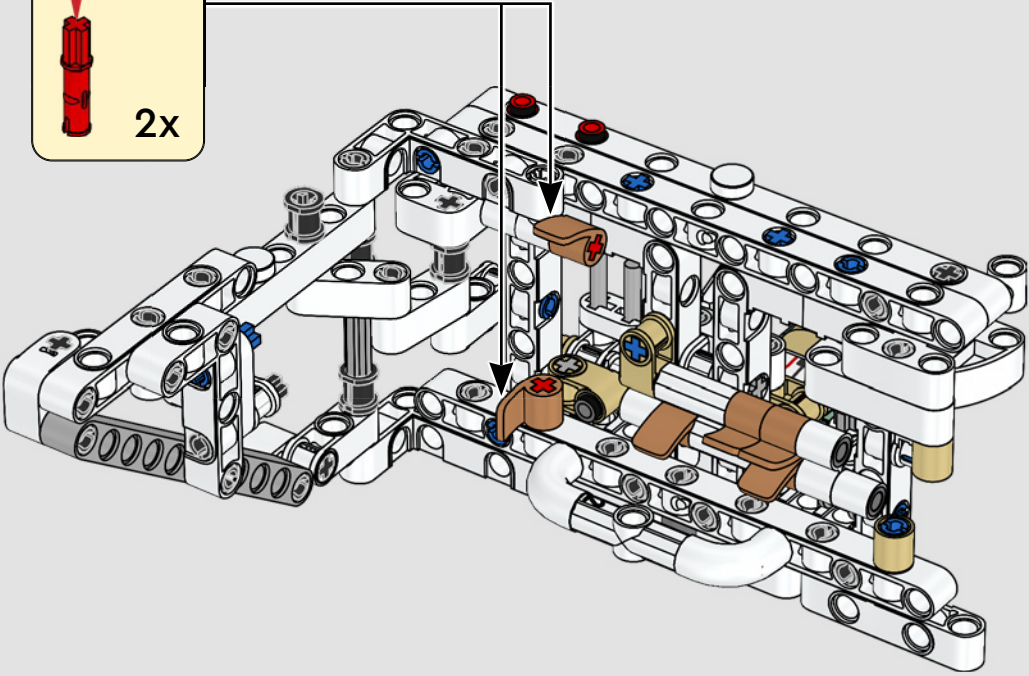
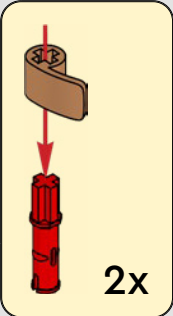
1x

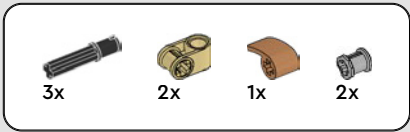
334



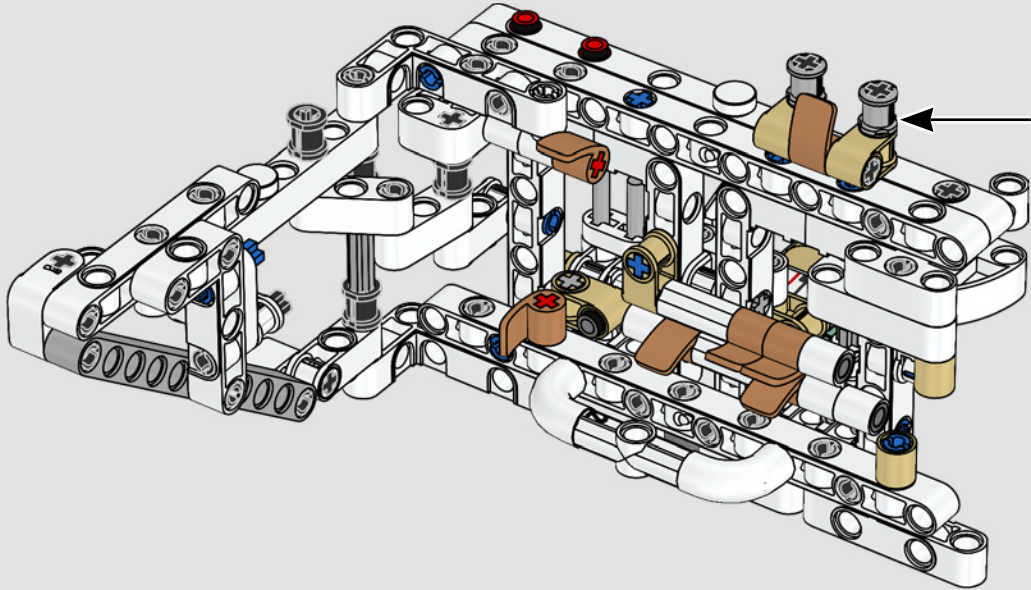
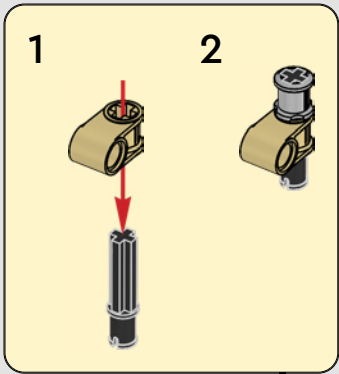


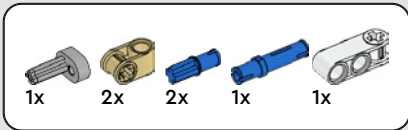
335



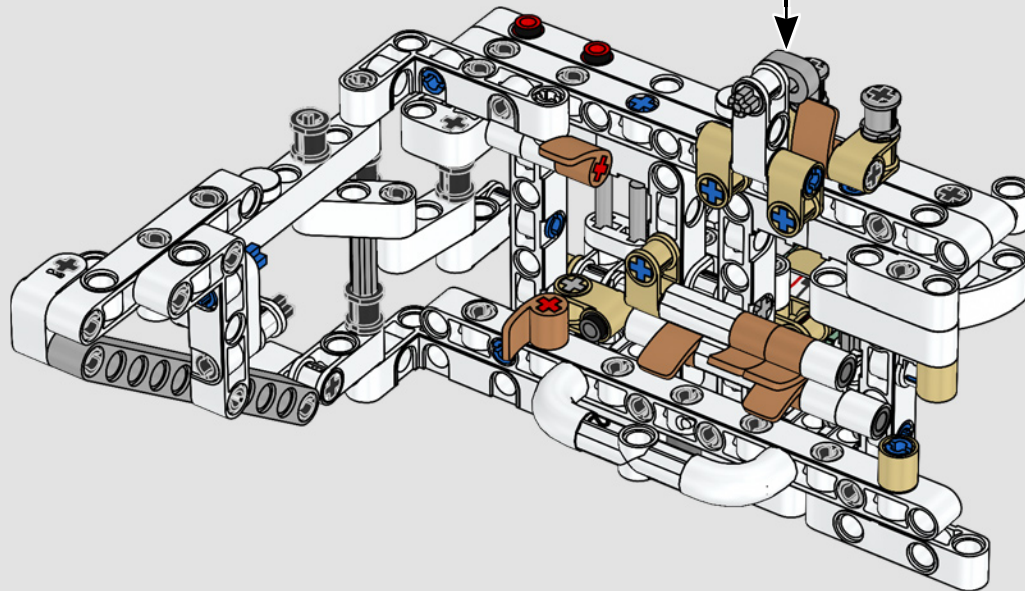
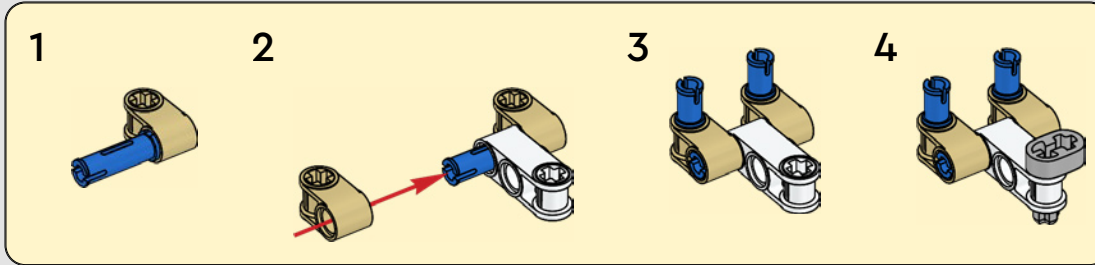


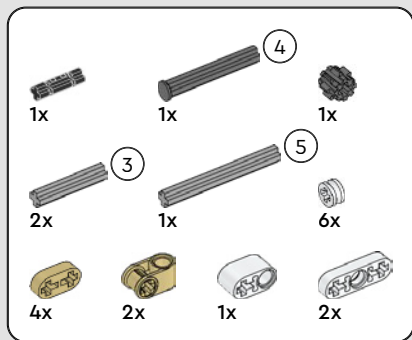
336





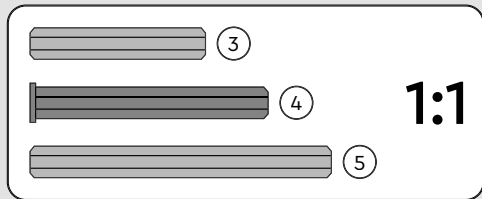
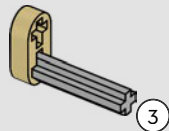
337



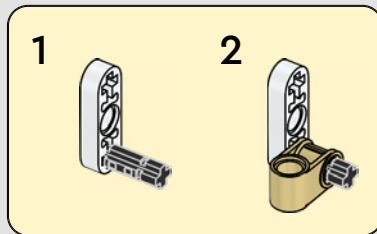
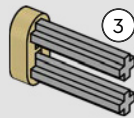


338

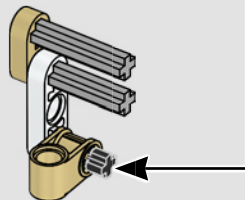
1



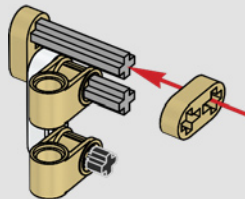
2



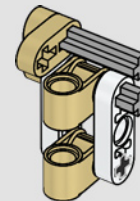
3



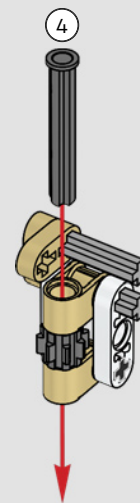
4



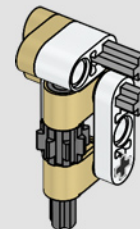
5



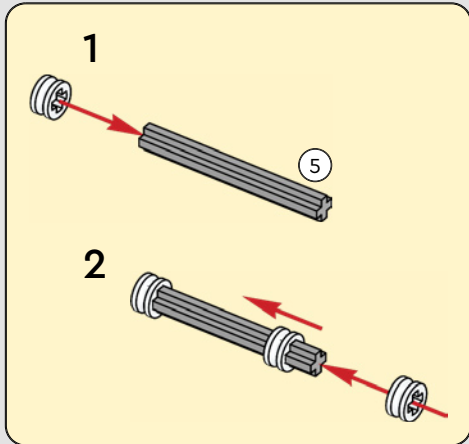
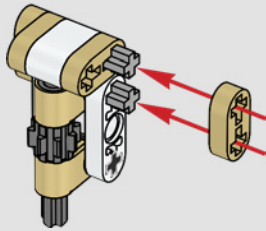
6



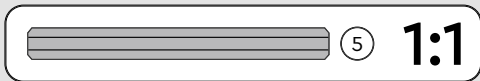
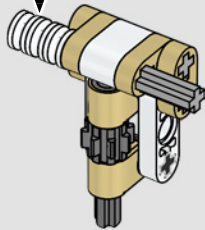
7



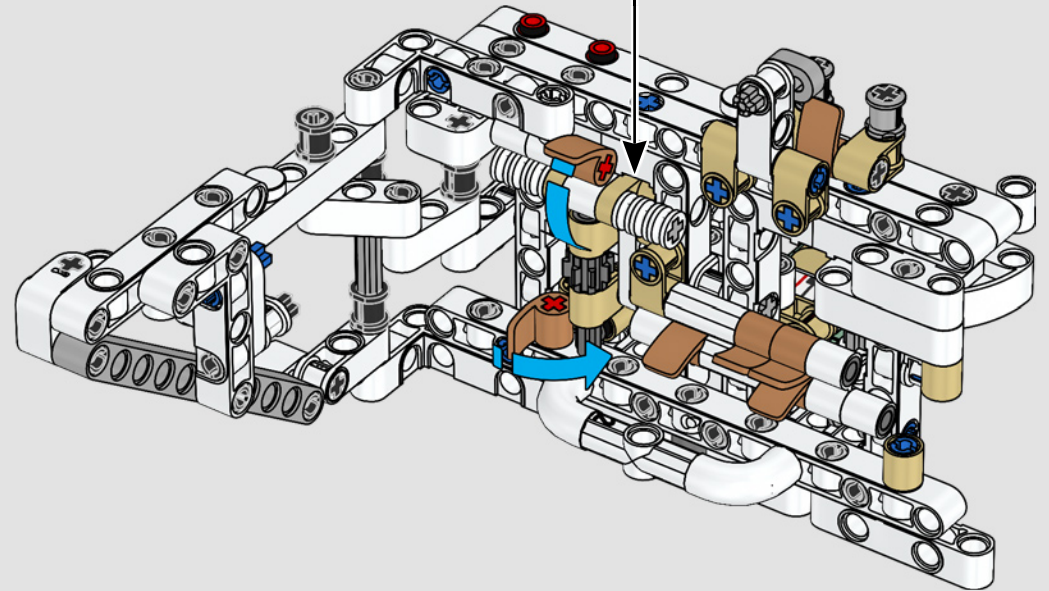
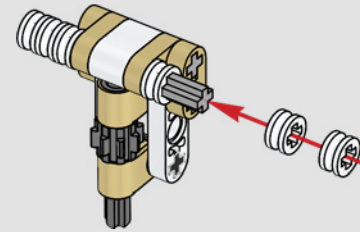
8

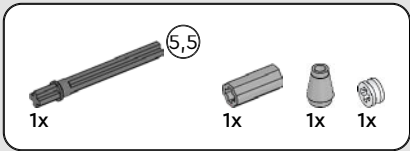


9

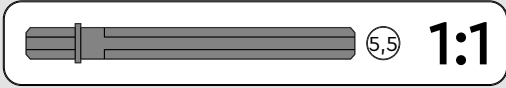
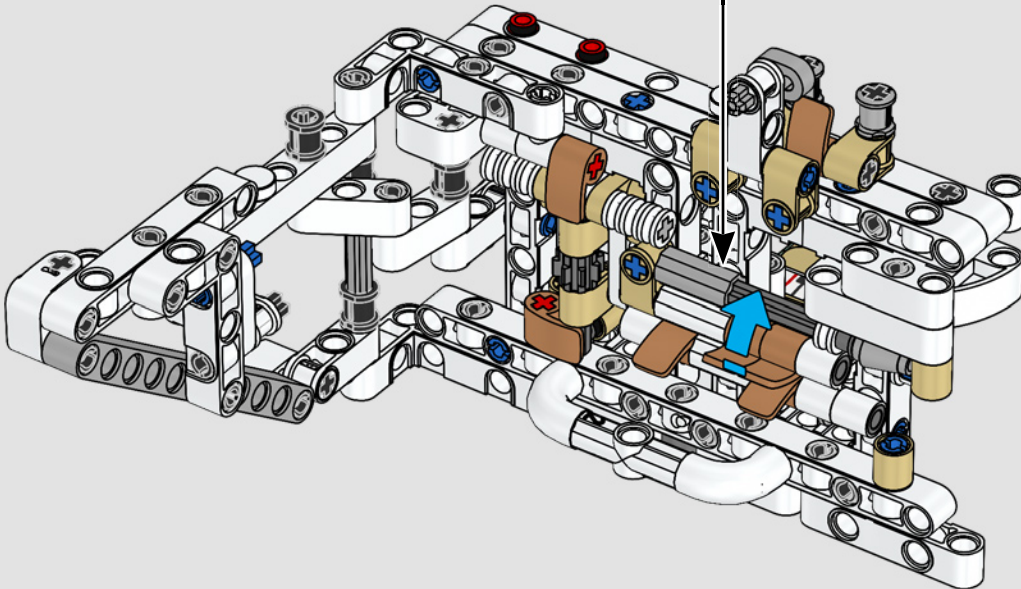
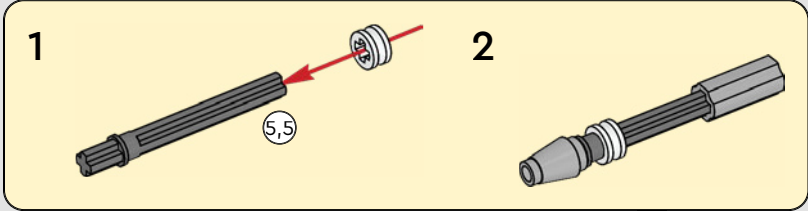


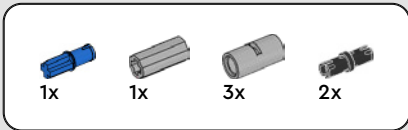
10



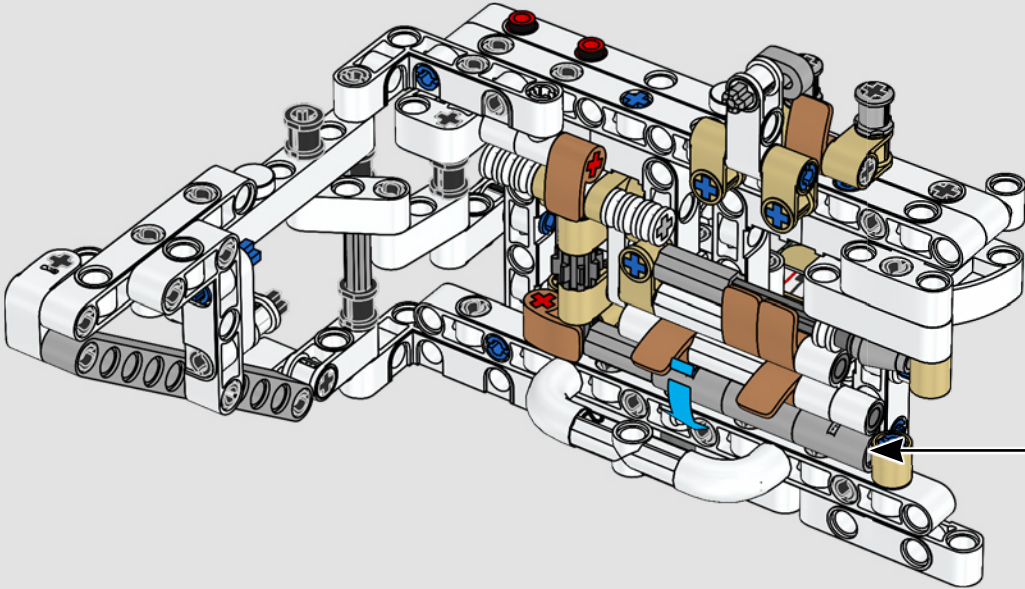
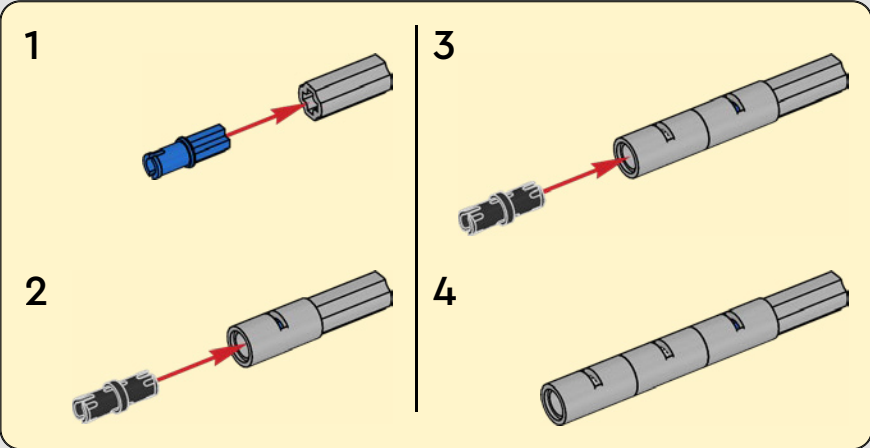


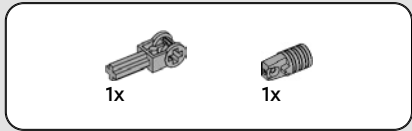
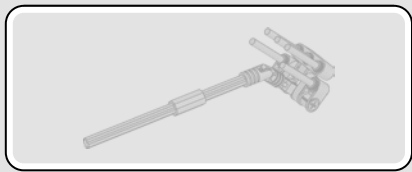
339



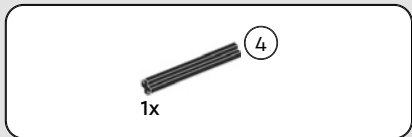
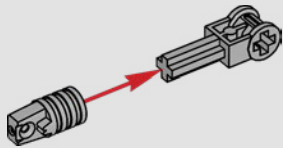


340

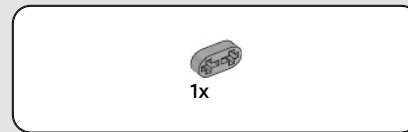
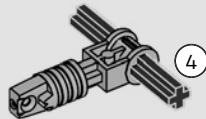




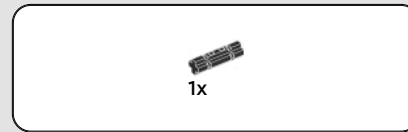
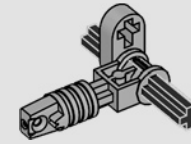
341



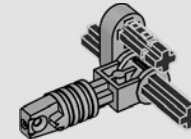
342

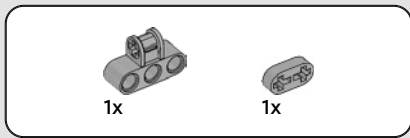


343

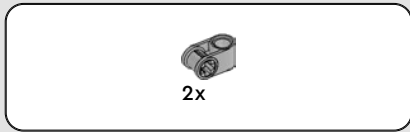
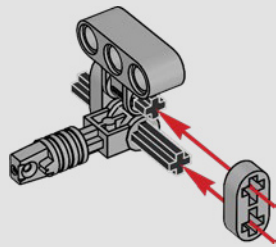


344

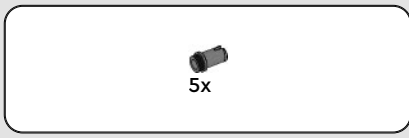
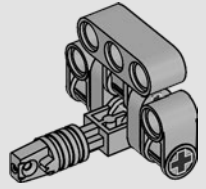




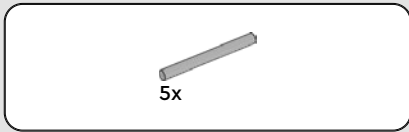
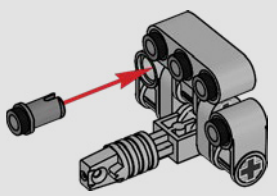
345



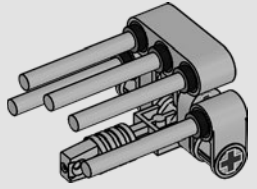
346

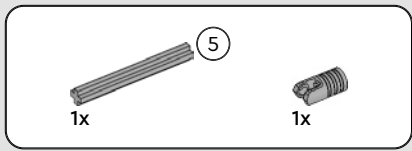


347

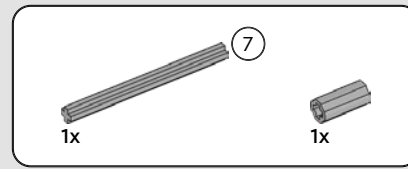
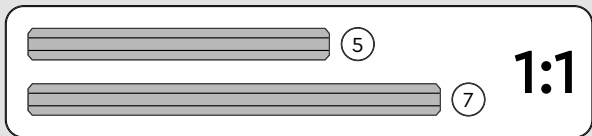
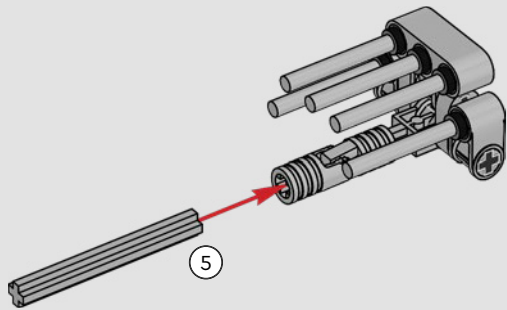


348

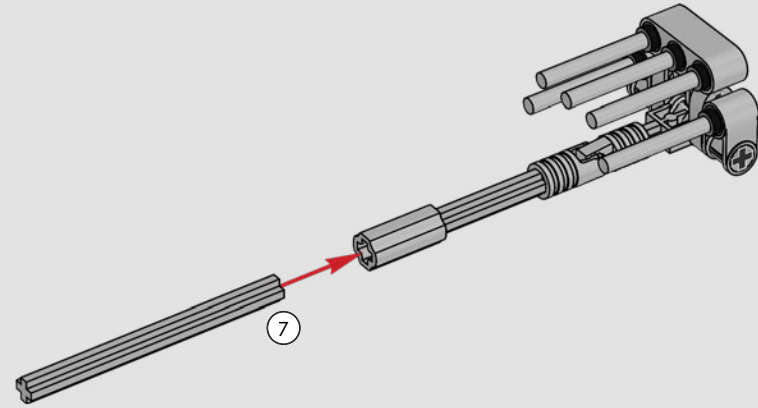




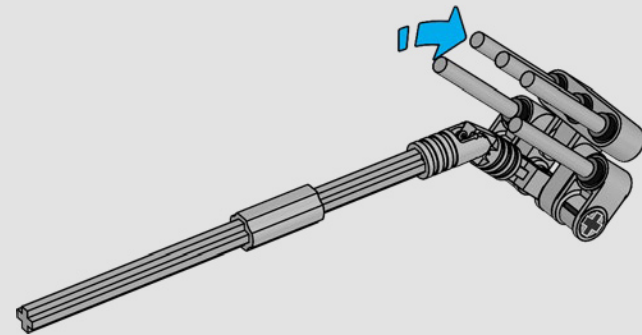
349



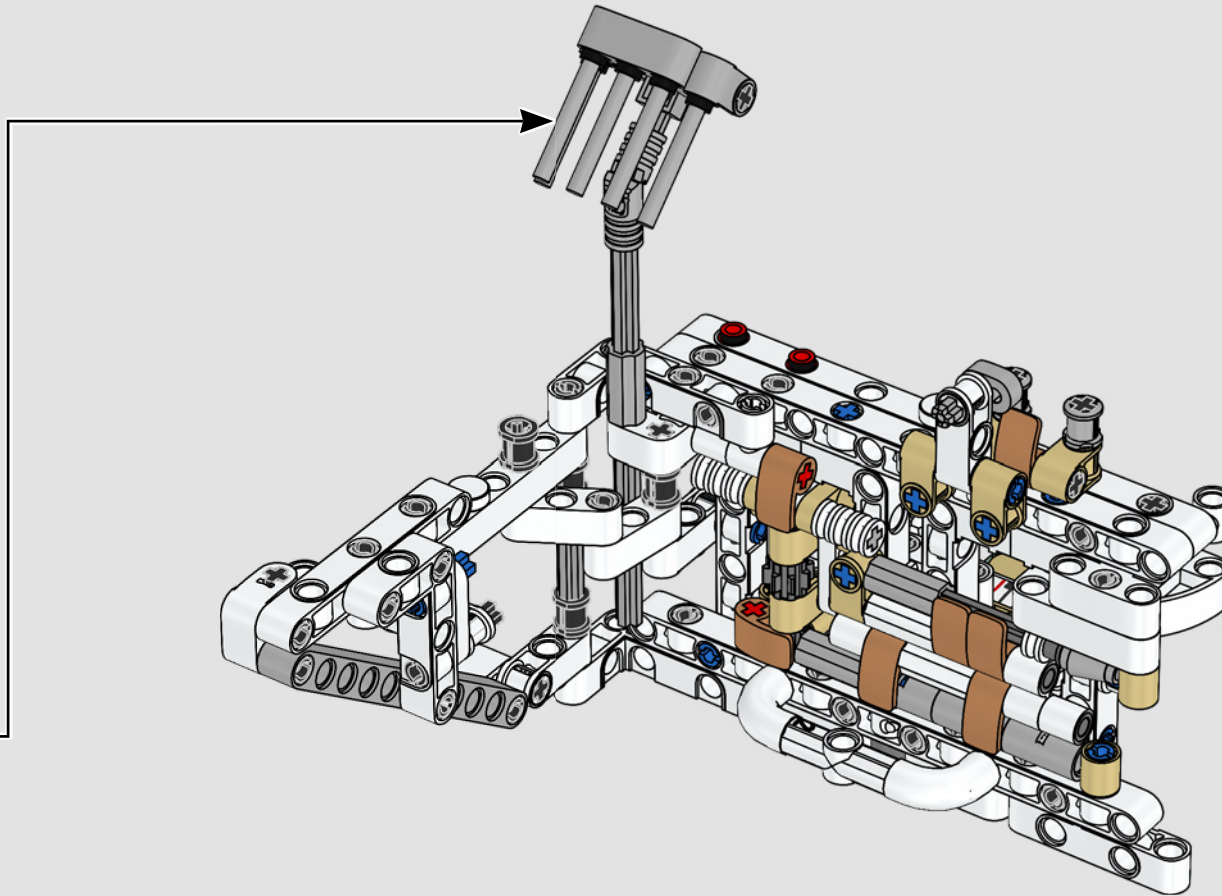
350

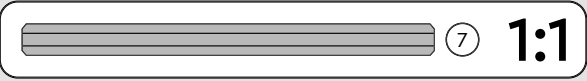
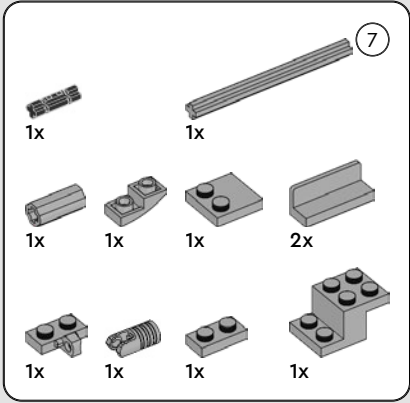
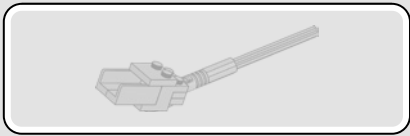


351

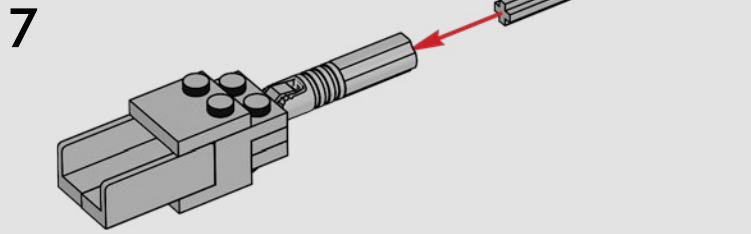
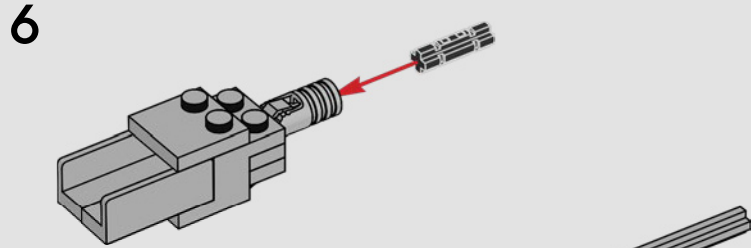
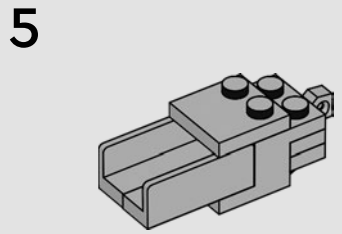
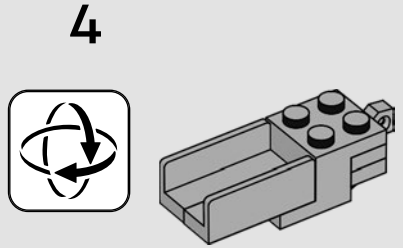
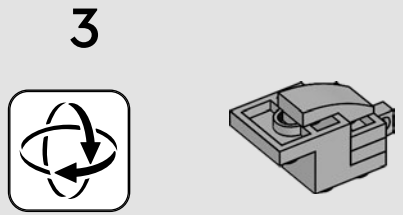
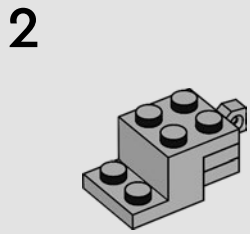
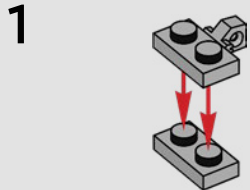


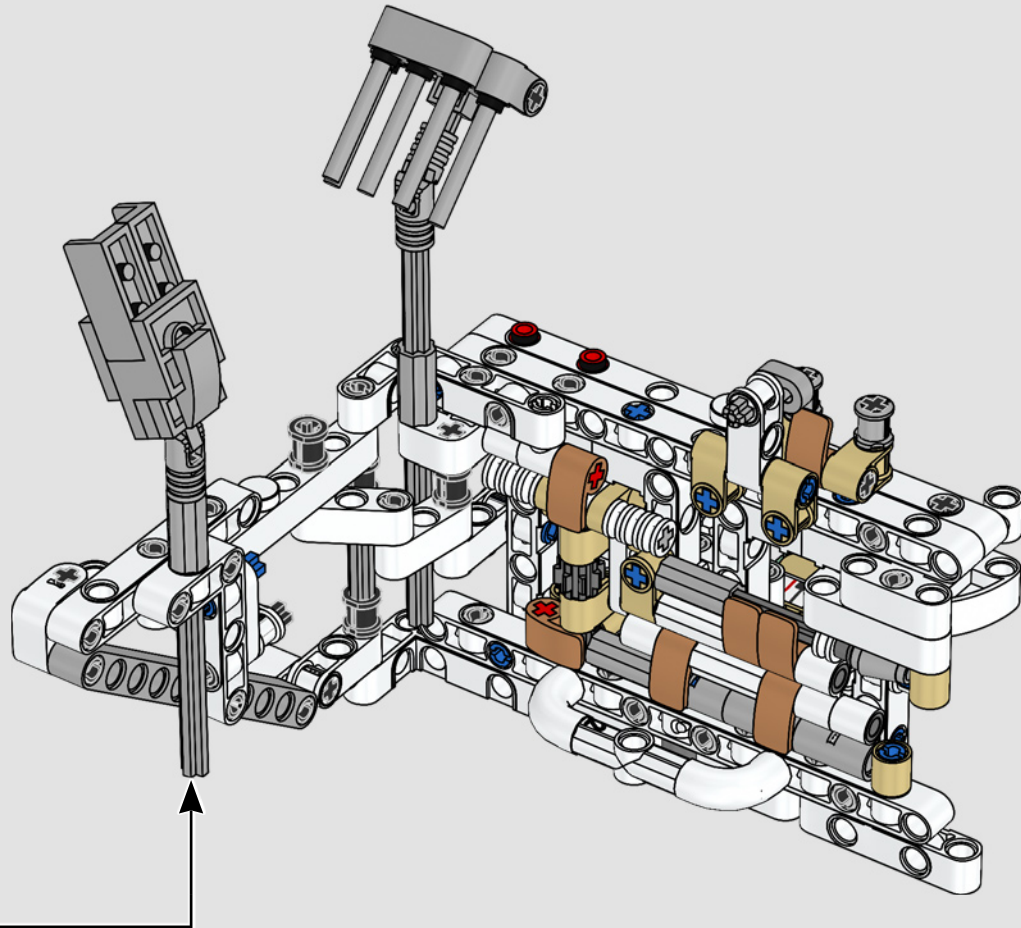
352

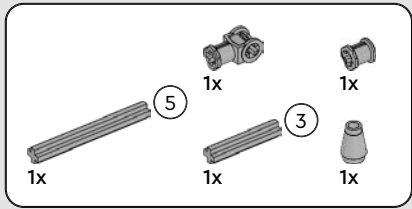




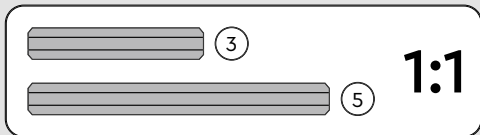
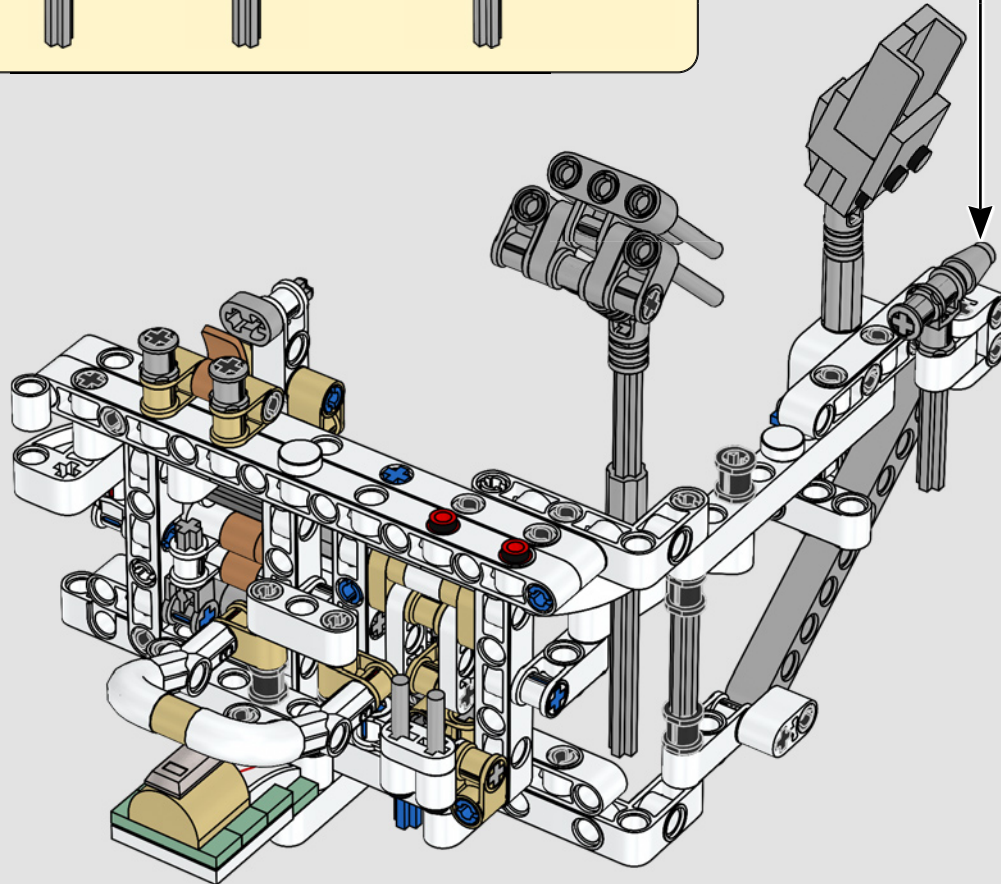
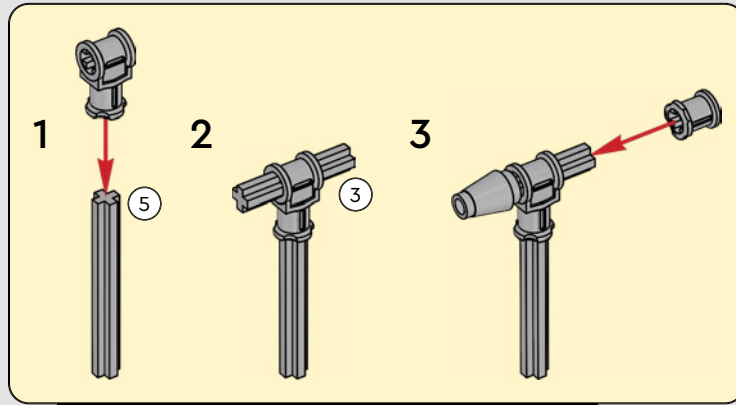
353

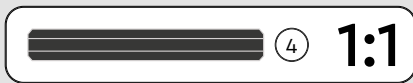
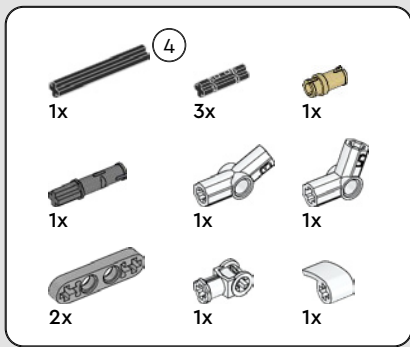




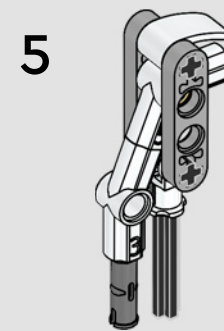
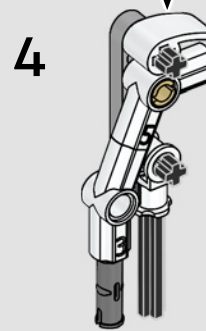
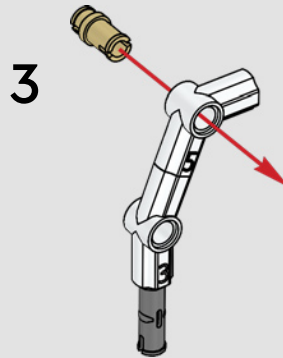
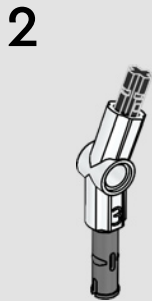
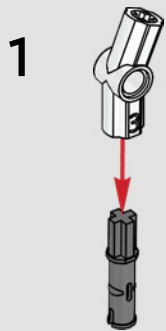
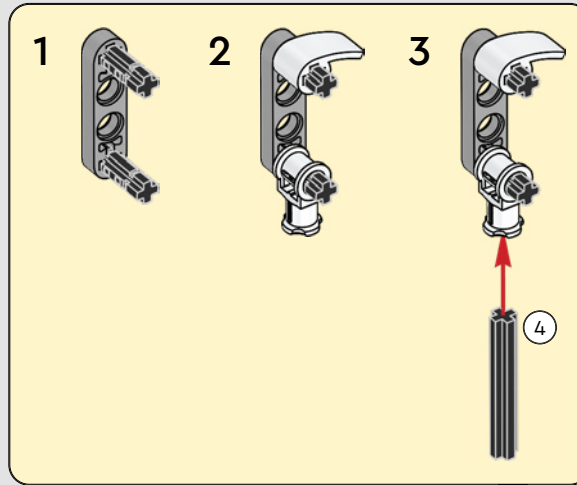


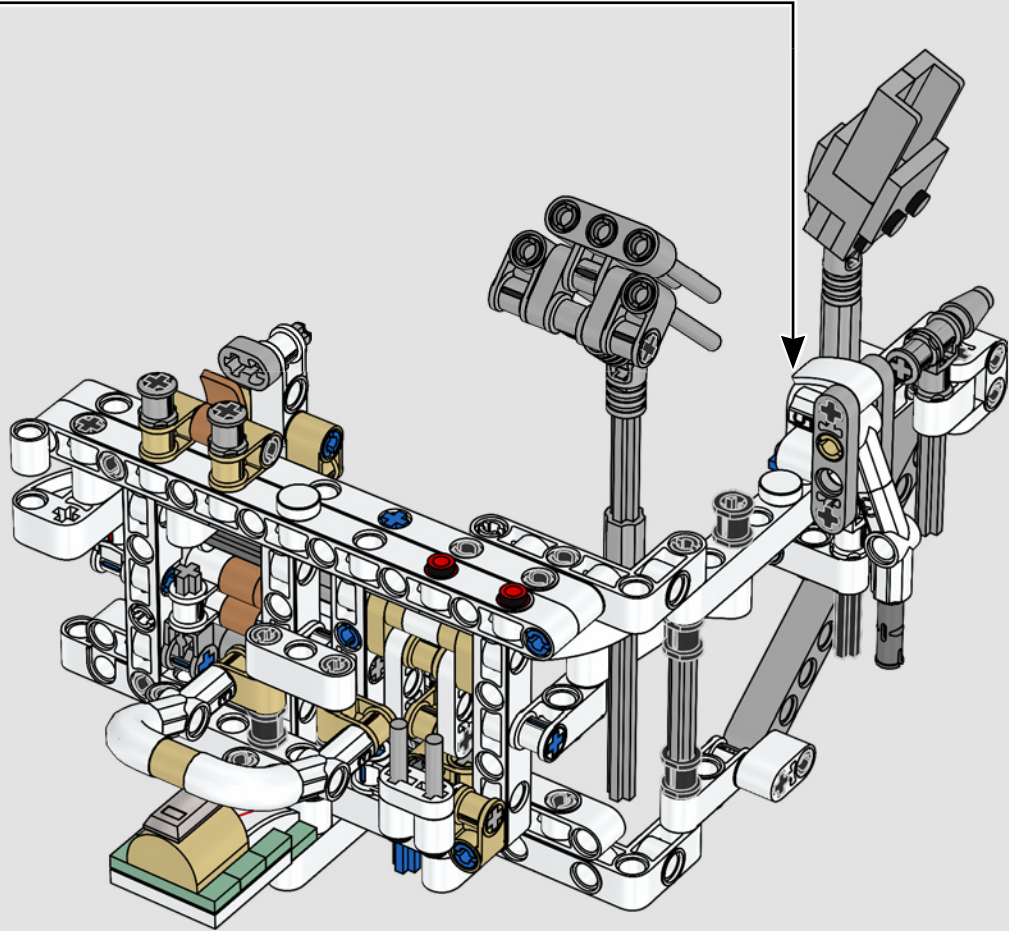
354

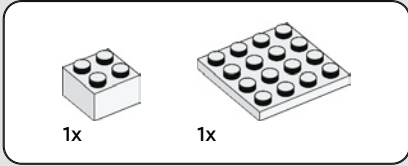




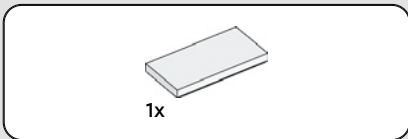
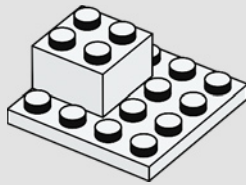
355



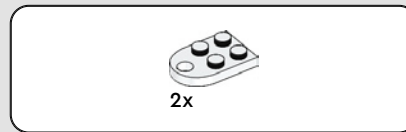
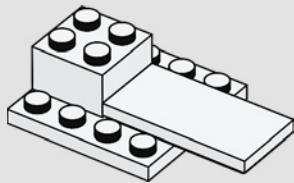




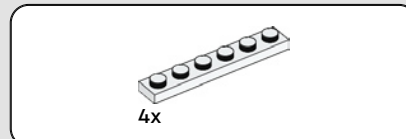
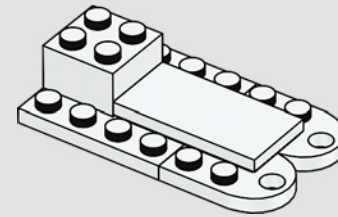
356



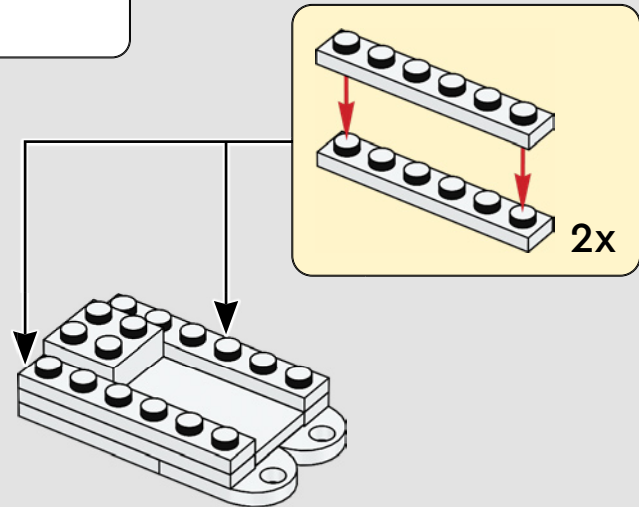
357



358



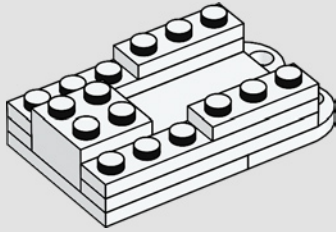
359





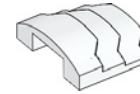
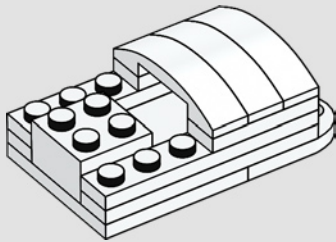
2x

360



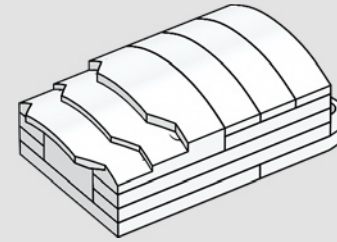
3x

361



1x

362

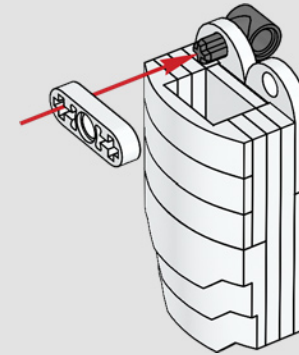
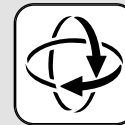


1x



1x

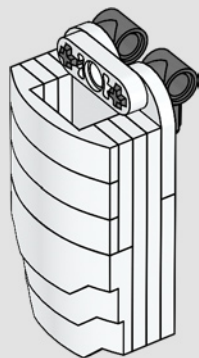
363





1x

364



2x



2x

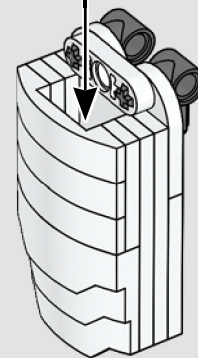
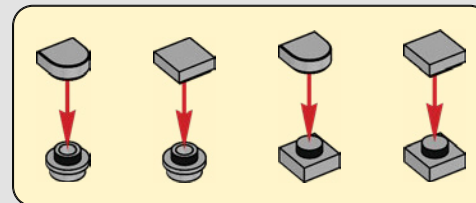


2x



2x

365





2x



2x

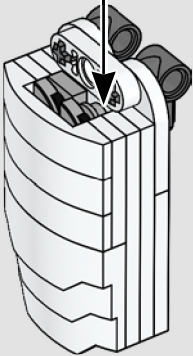
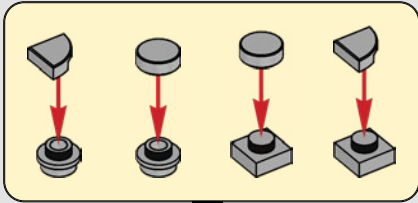


2x

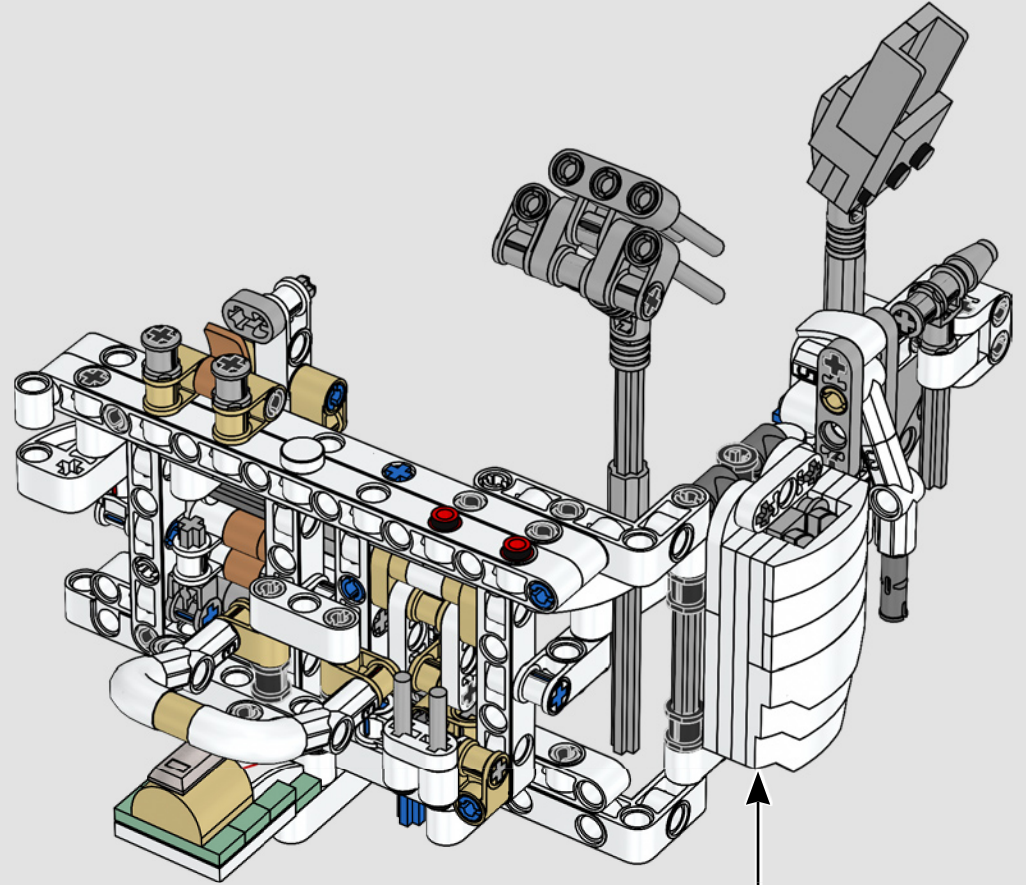


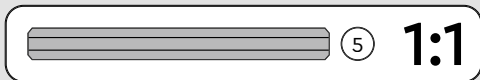
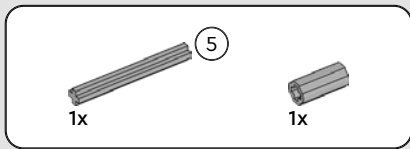
2x

366

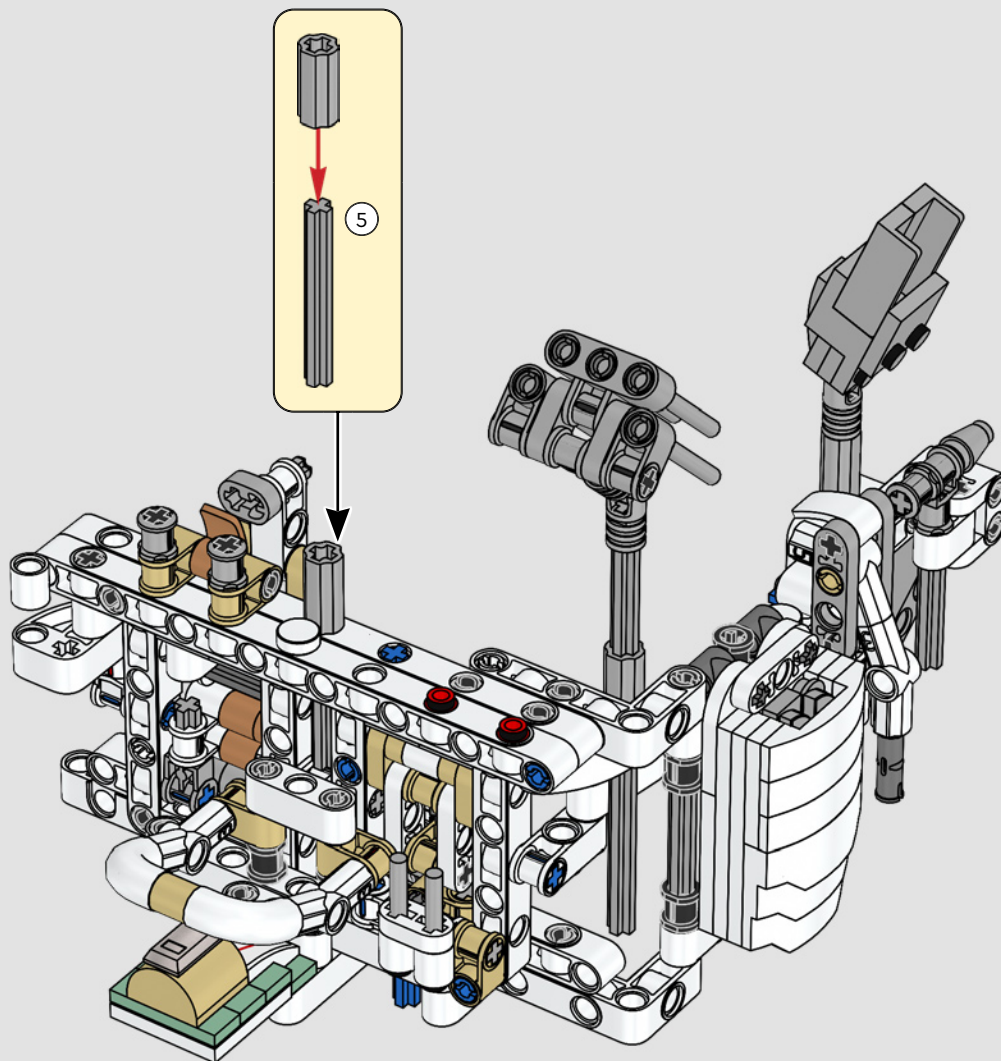


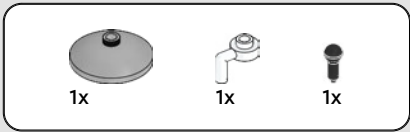
367



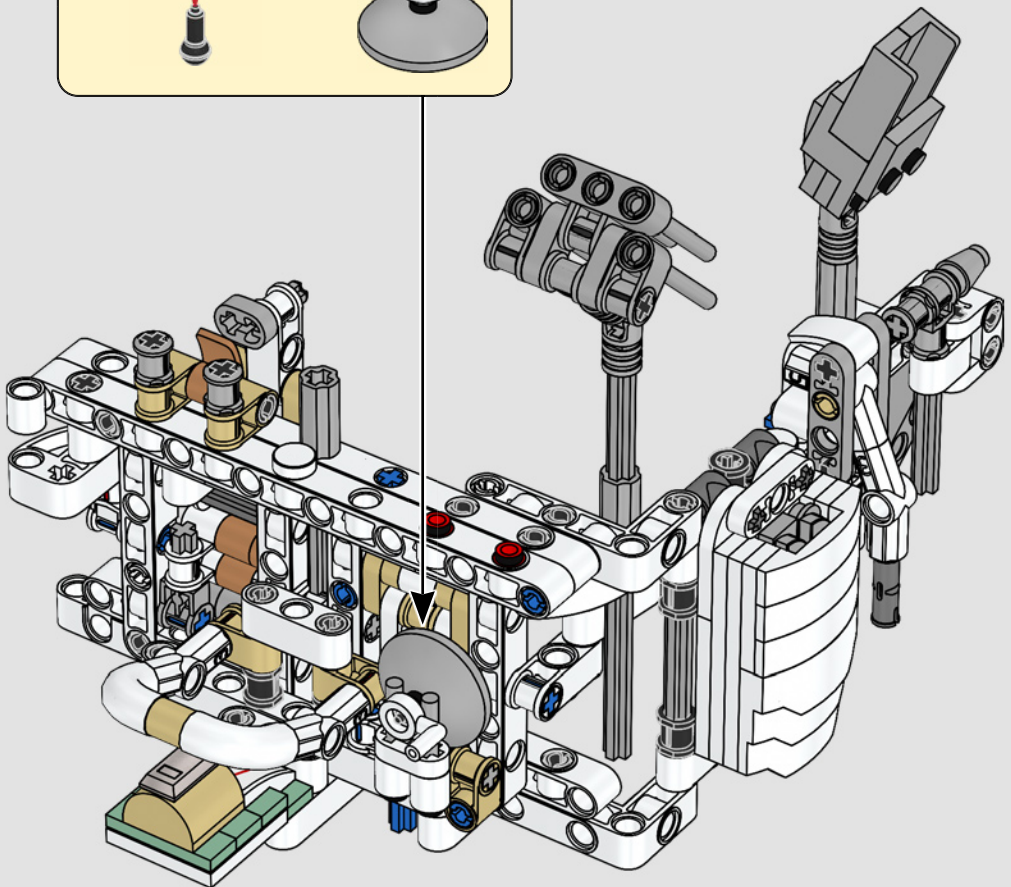
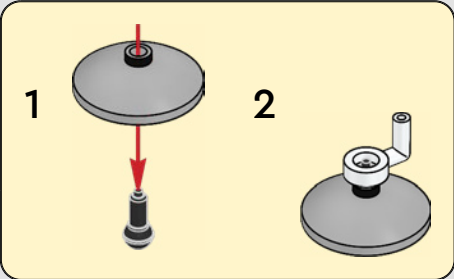


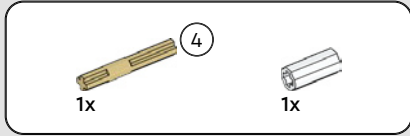
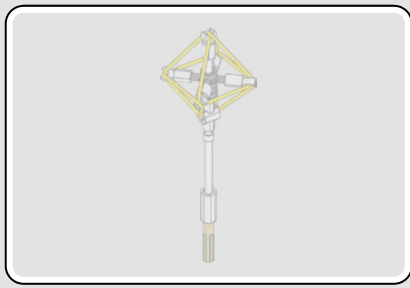
368



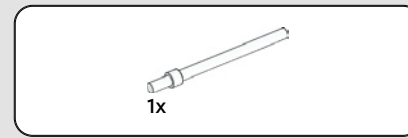
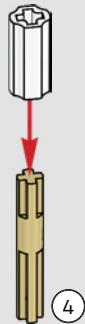
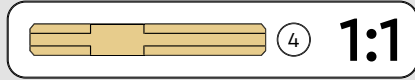


369

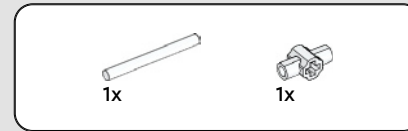
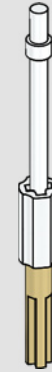




370



371



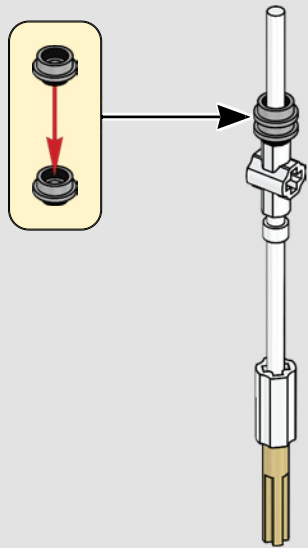
372





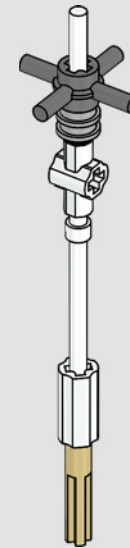
2x

373



1x

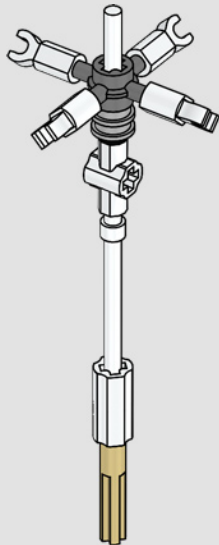
374





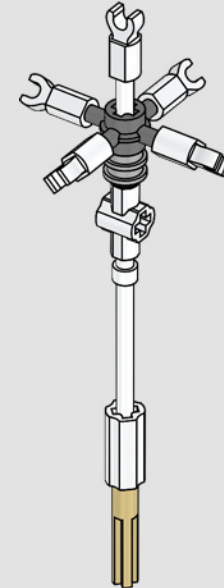
4x

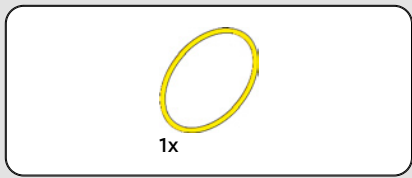
375



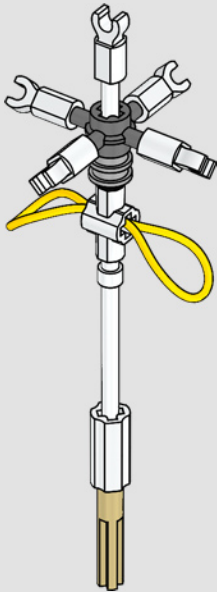
1x

376

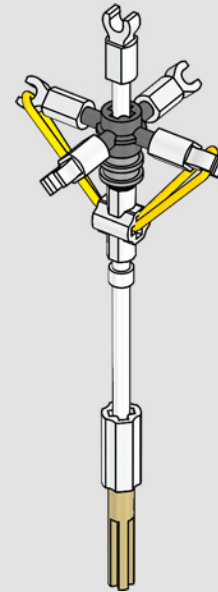




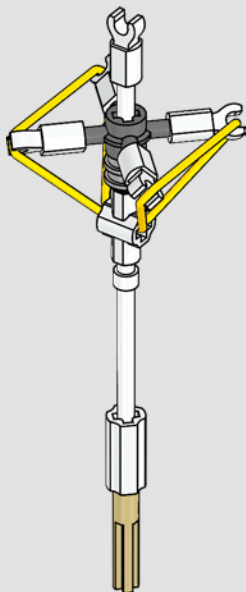
377



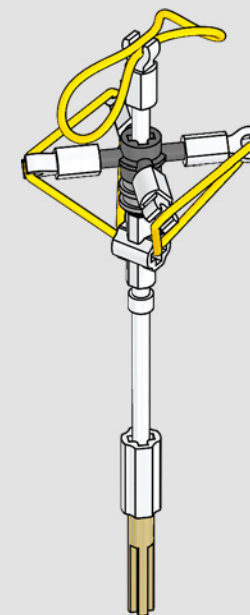
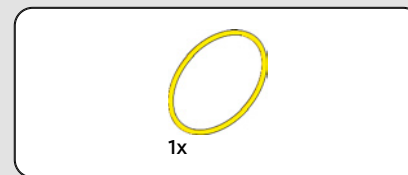
378



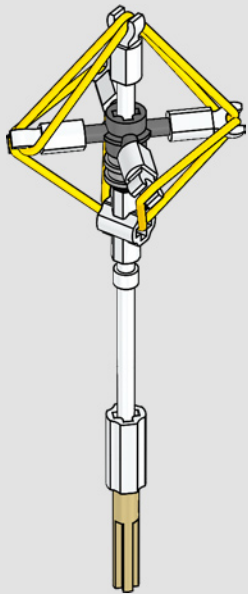
379



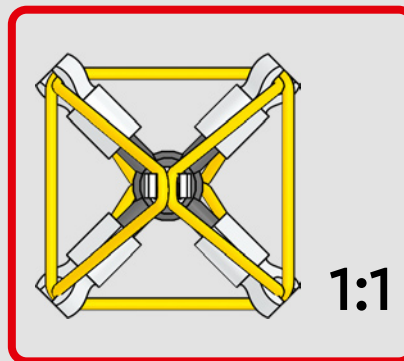
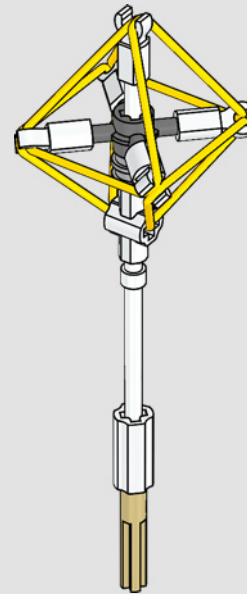
380



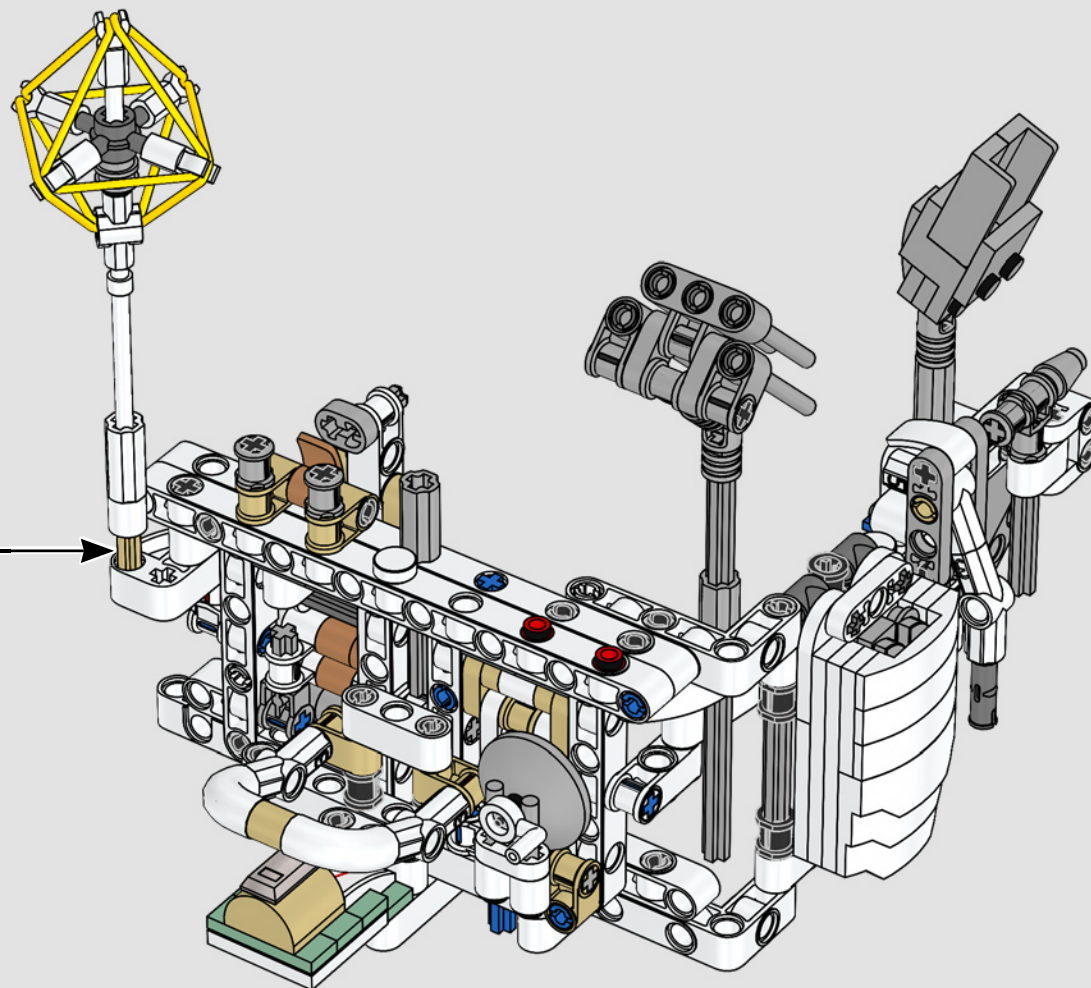
381

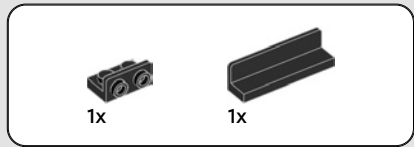
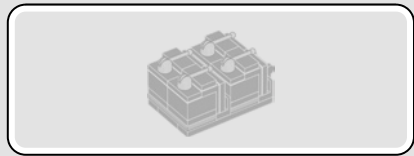


382

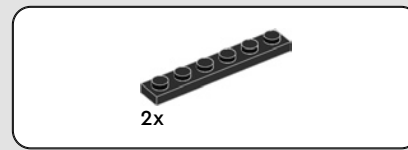
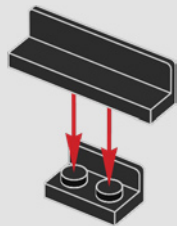


383

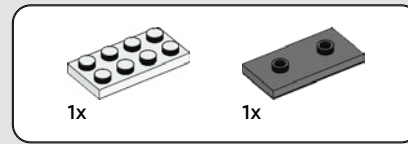
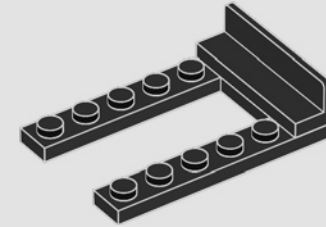




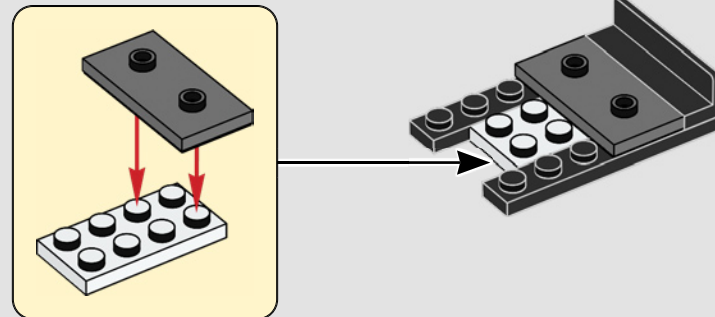
384

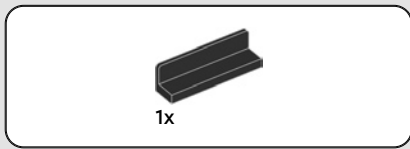


385

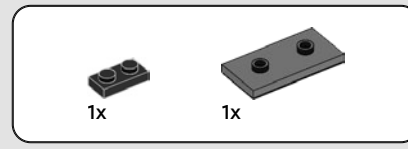
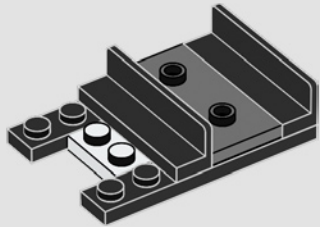


386

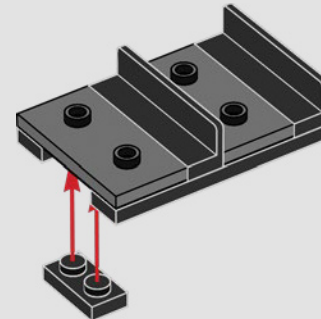


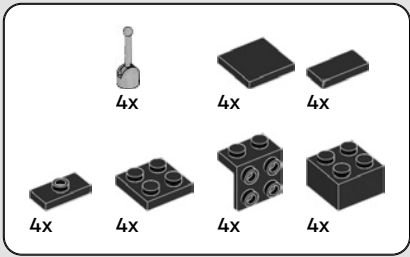


387

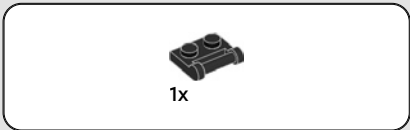
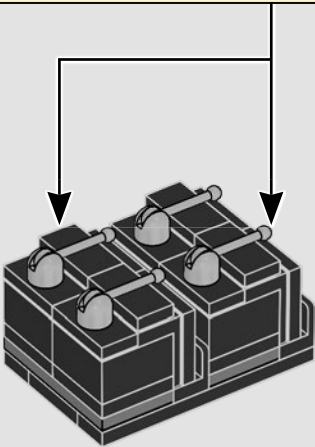
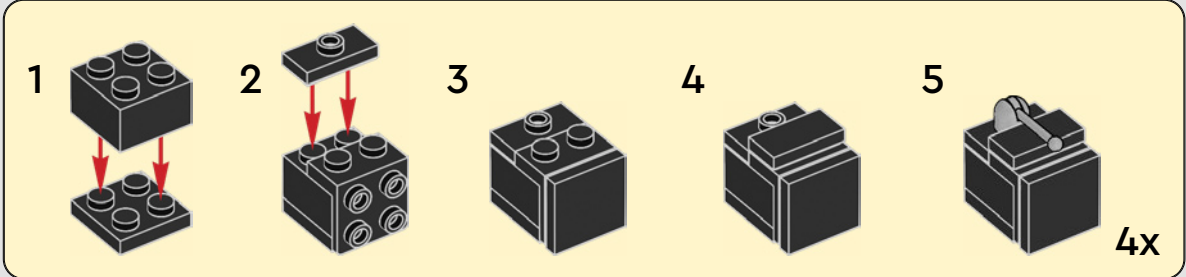


388

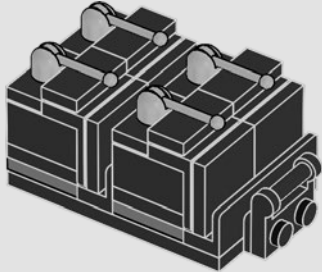




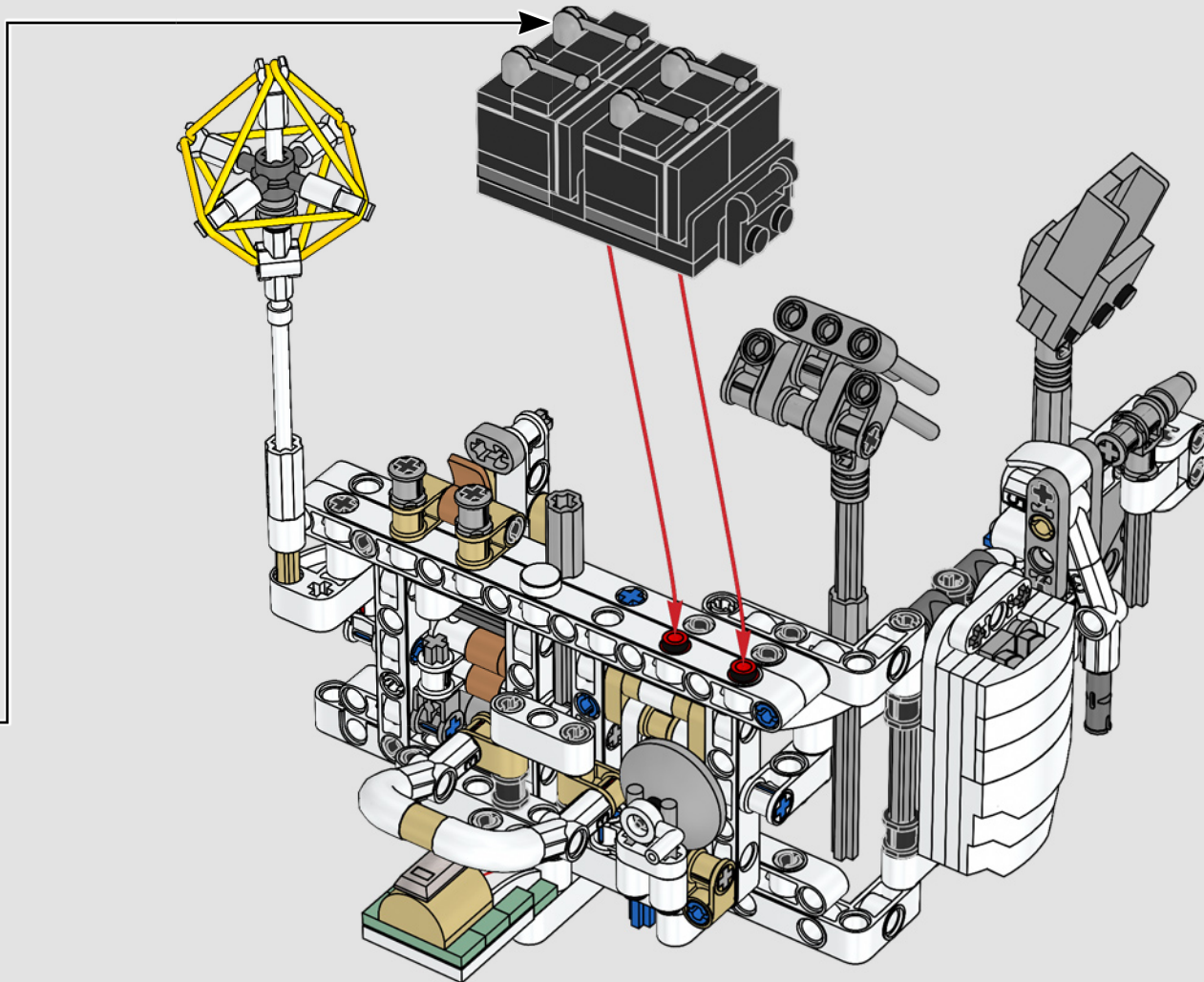
389

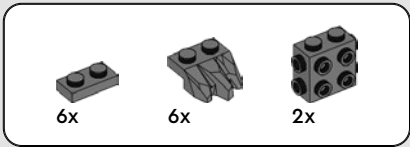


390

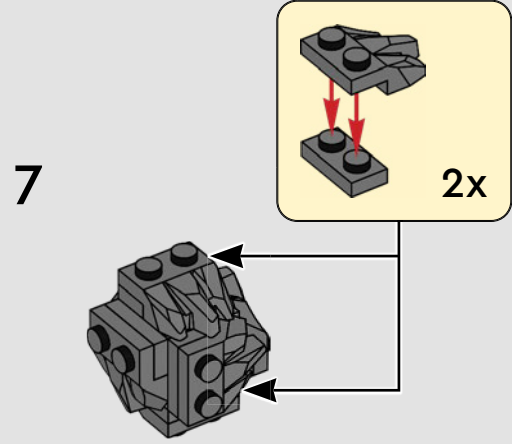
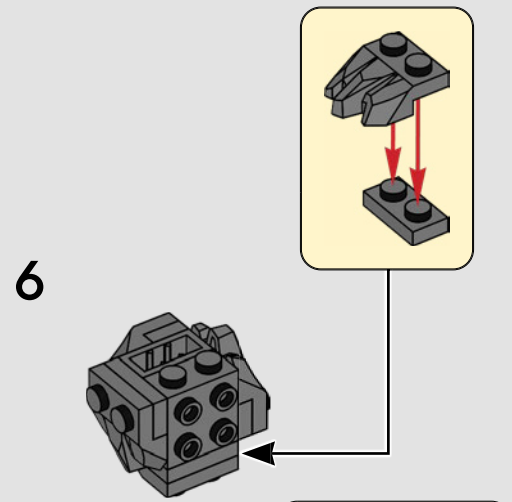
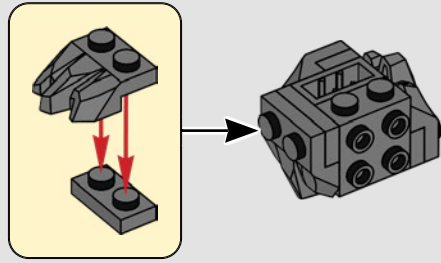
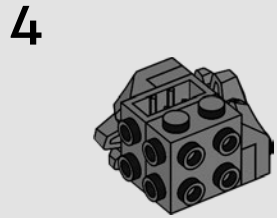
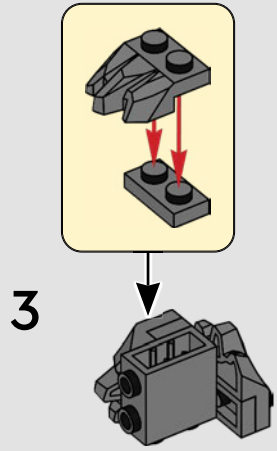
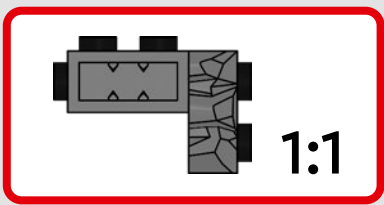
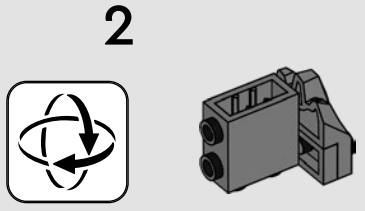
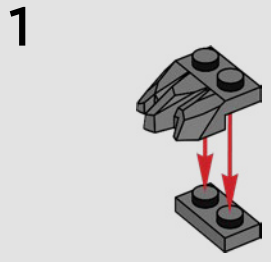


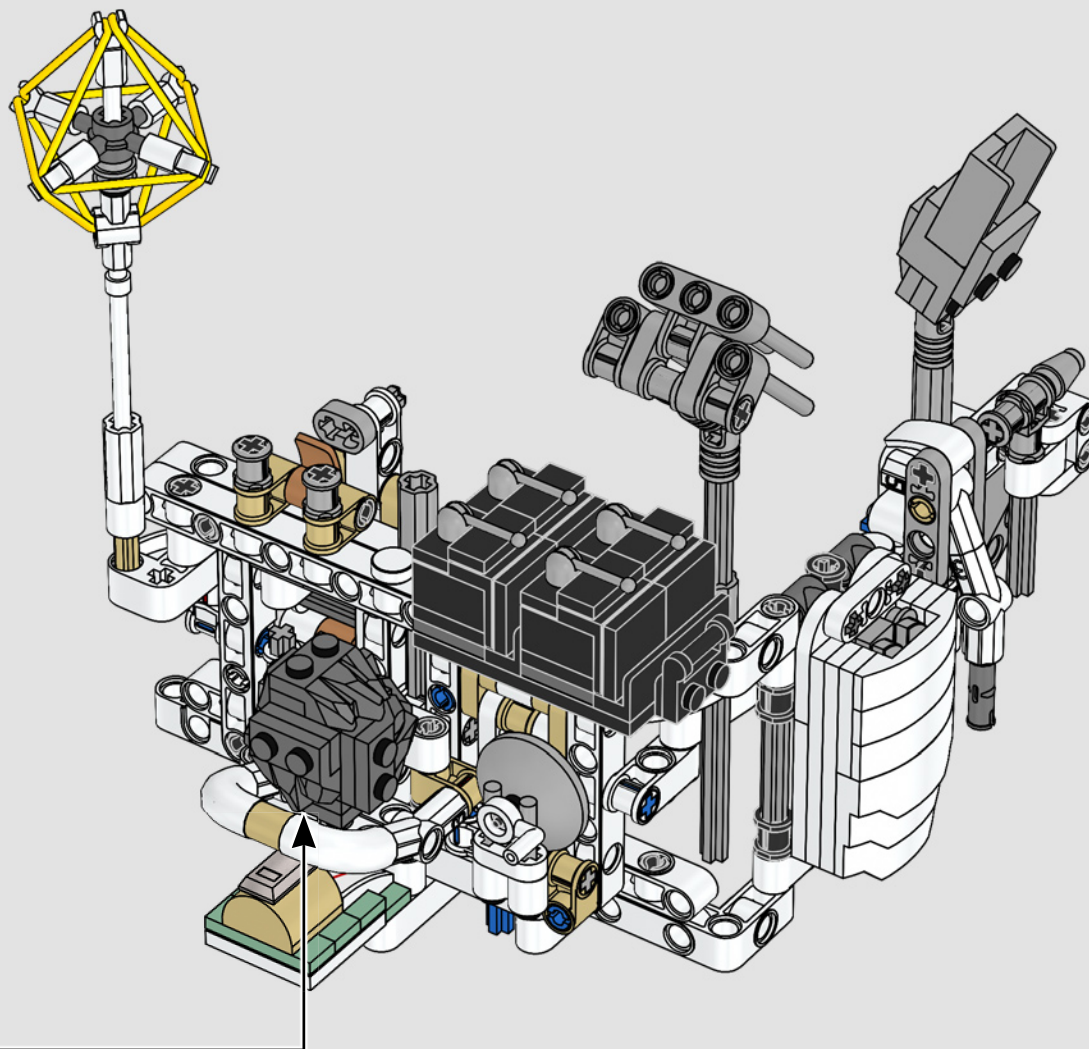
391

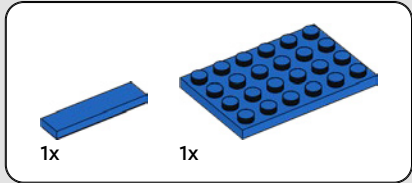
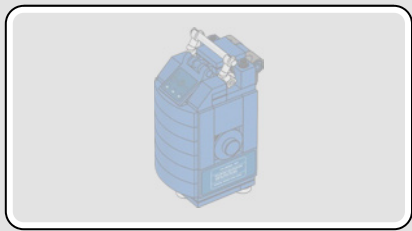




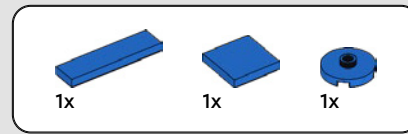
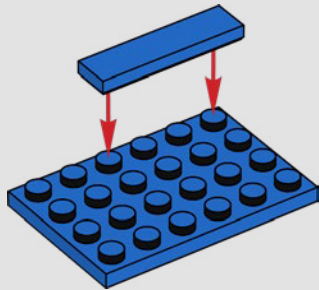
392



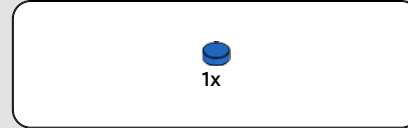
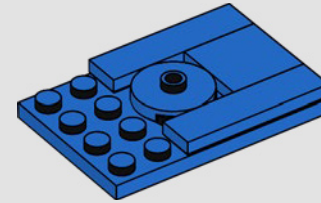




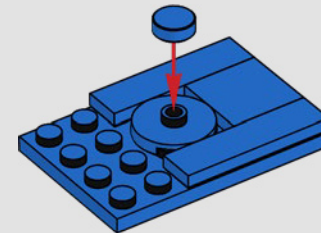
393

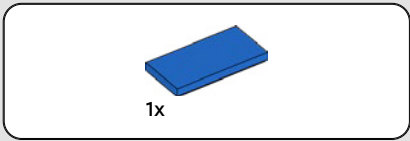


394

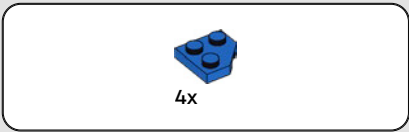
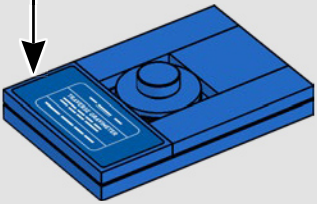
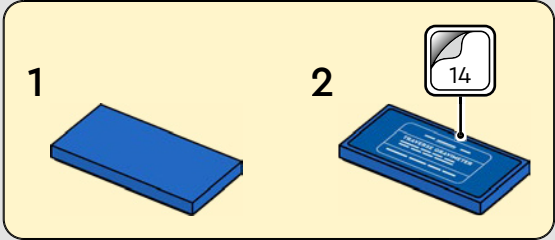


395

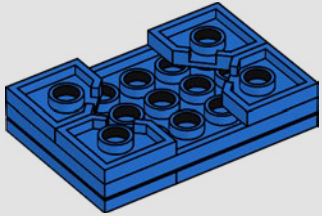


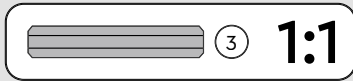
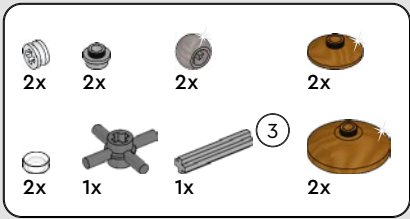


396

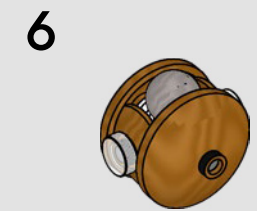
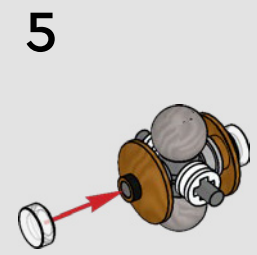
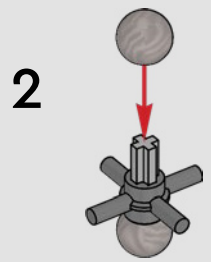
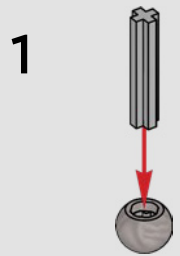


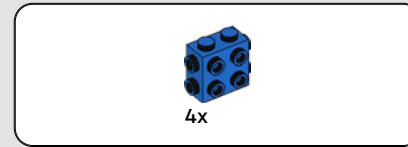
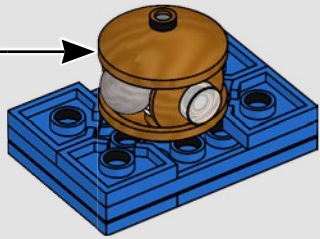
397



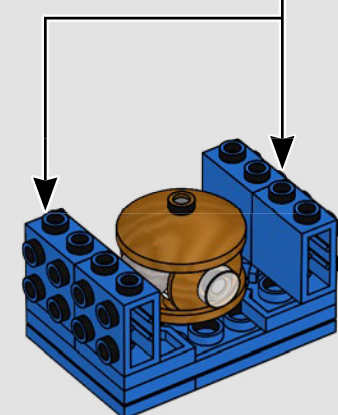
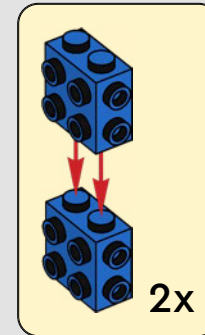


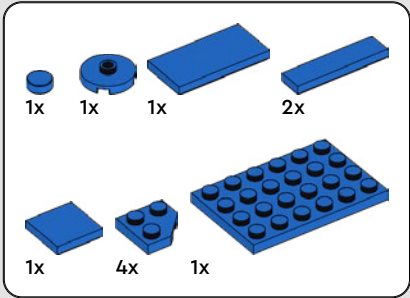
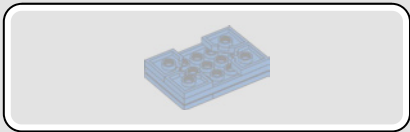
398





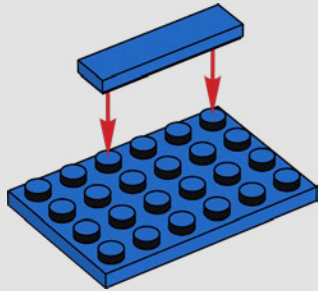
399



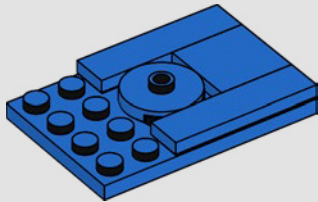


400

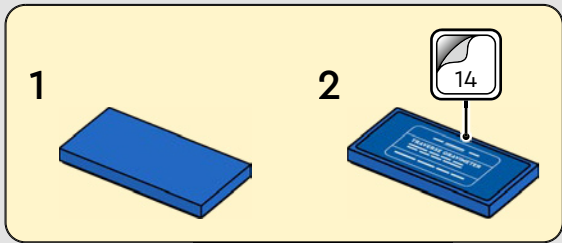
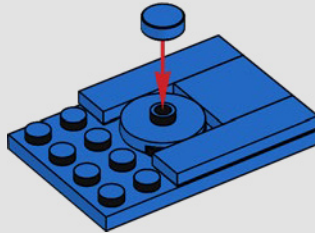
1



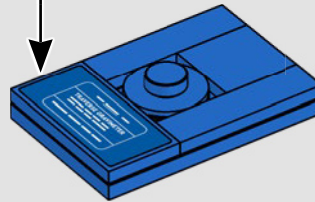
2



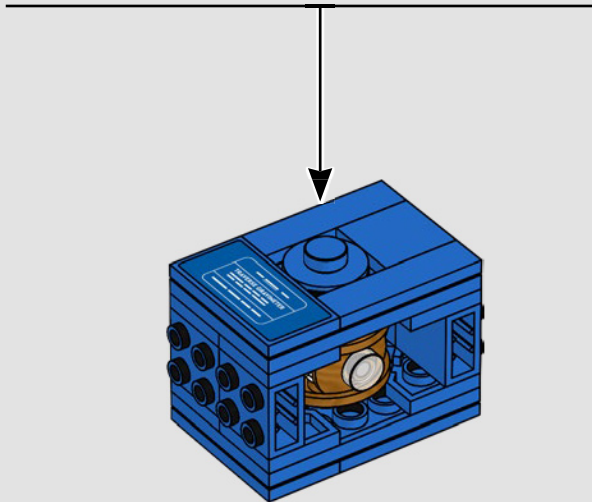
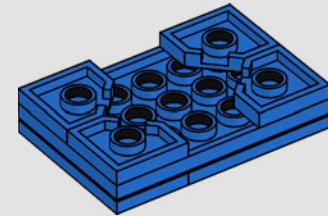
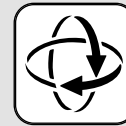
3

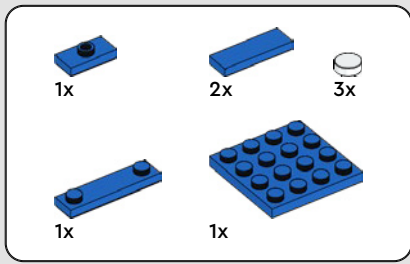


4

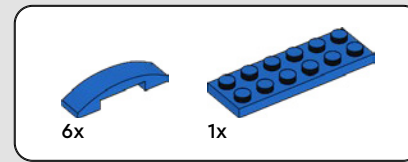
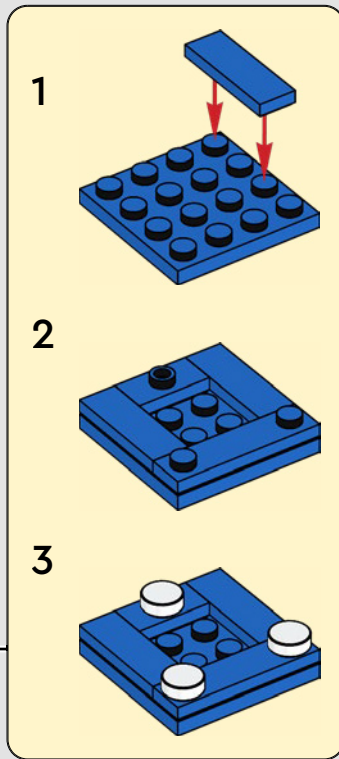
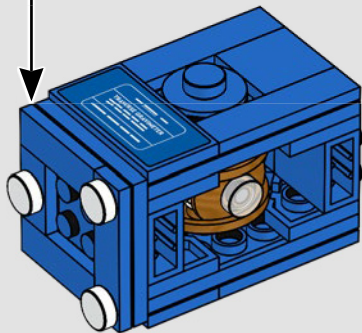


5

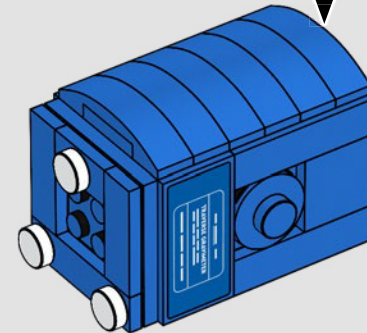
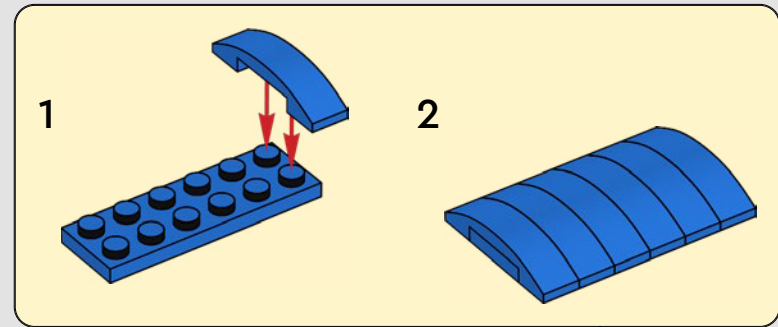




401



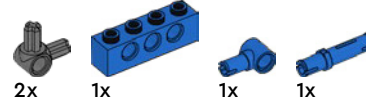
402





2x

403



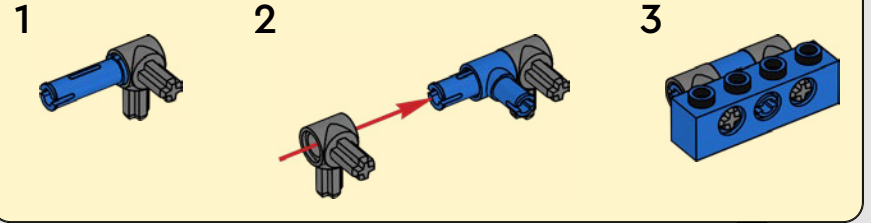
2x

1x

1x

1x

404



1

2

3



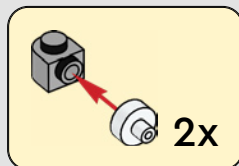


2x

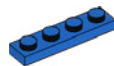
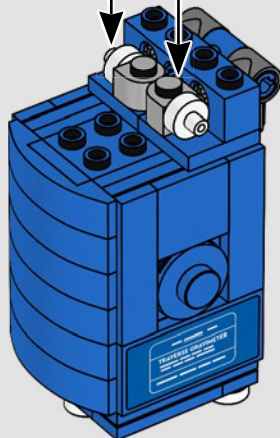


2x

405



2x

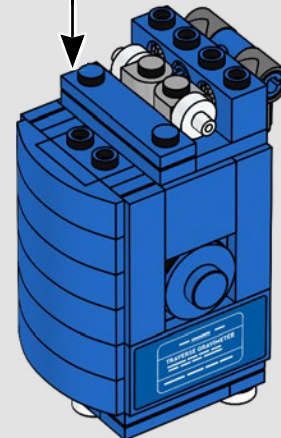
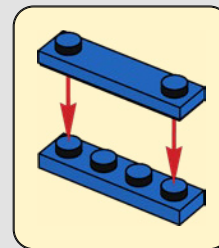


1x



1x

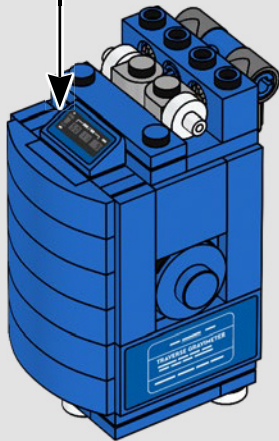
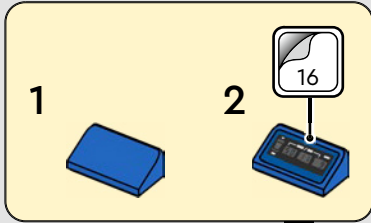
406





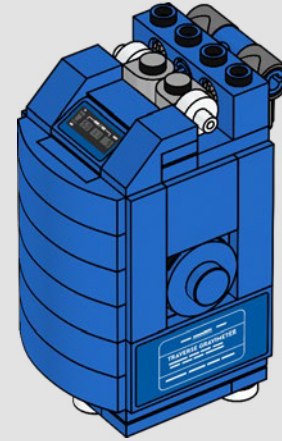
1x

407



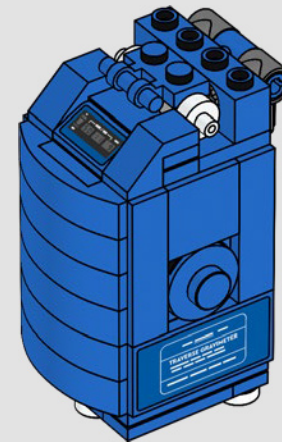
2x

408



1x

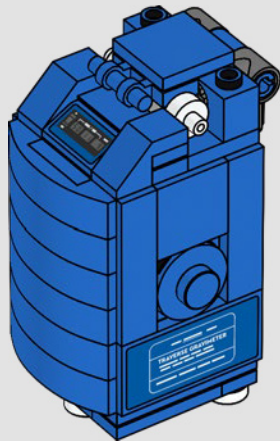
409





1x

410



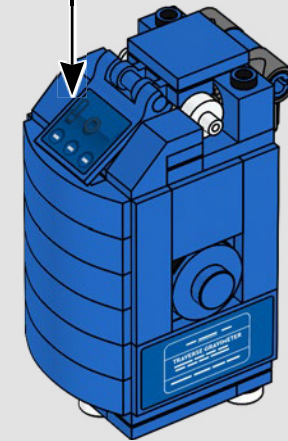
1x

411

1



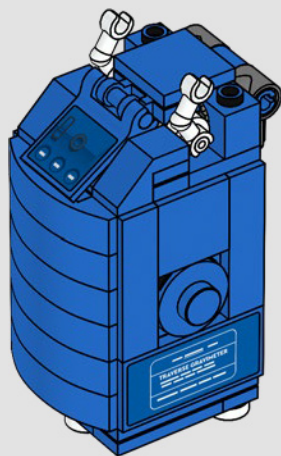
2





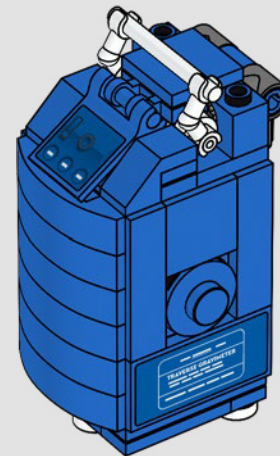
2x

412

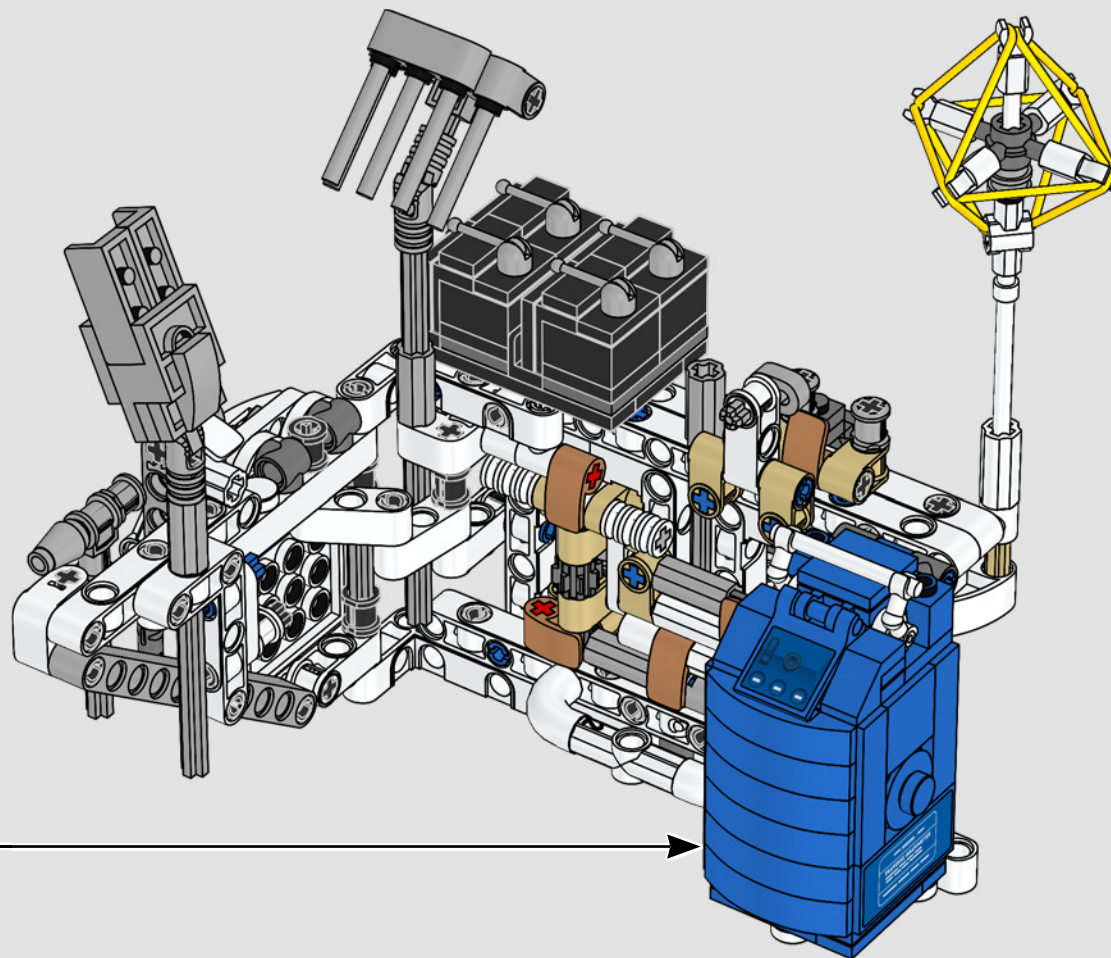


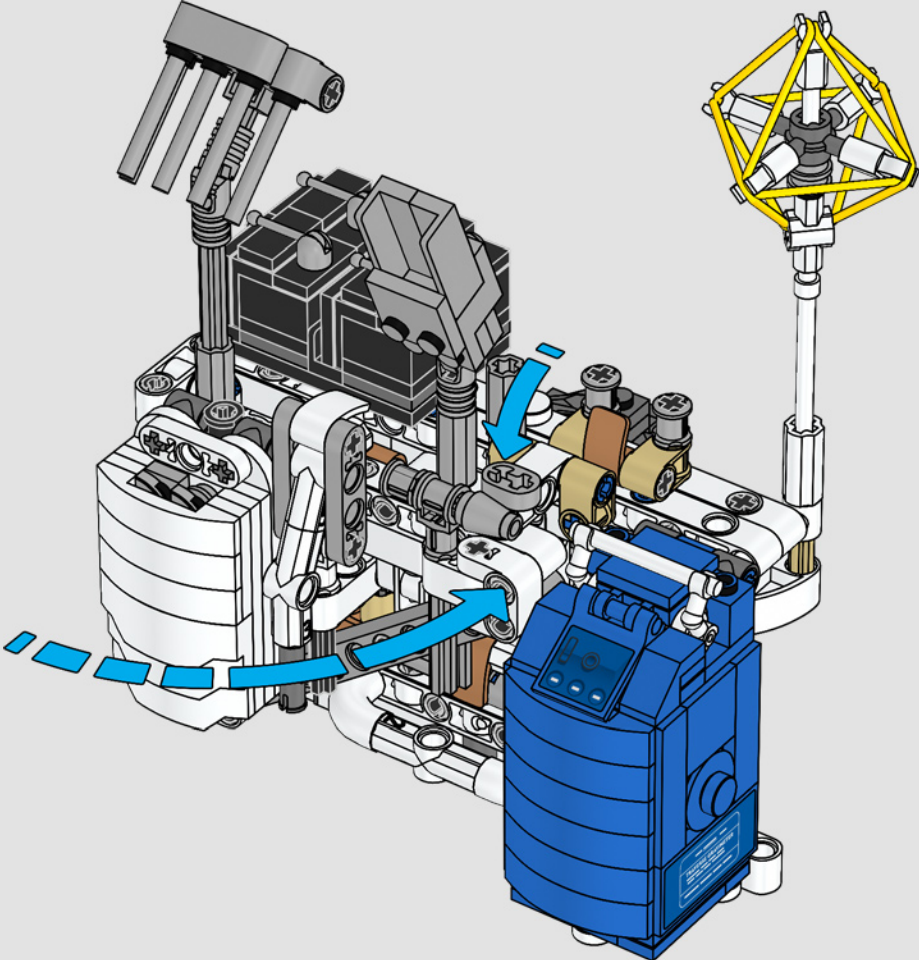
1x

413

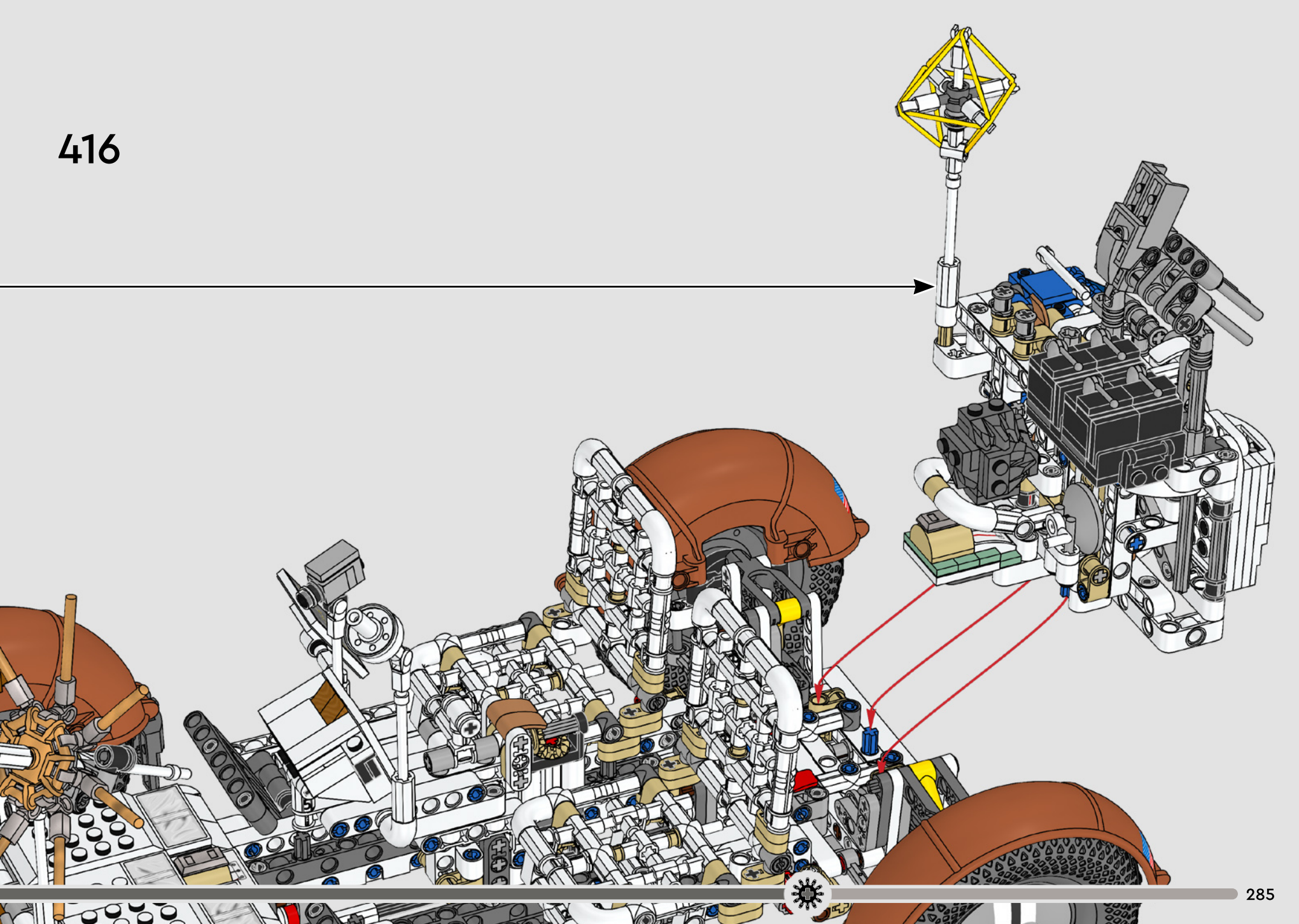


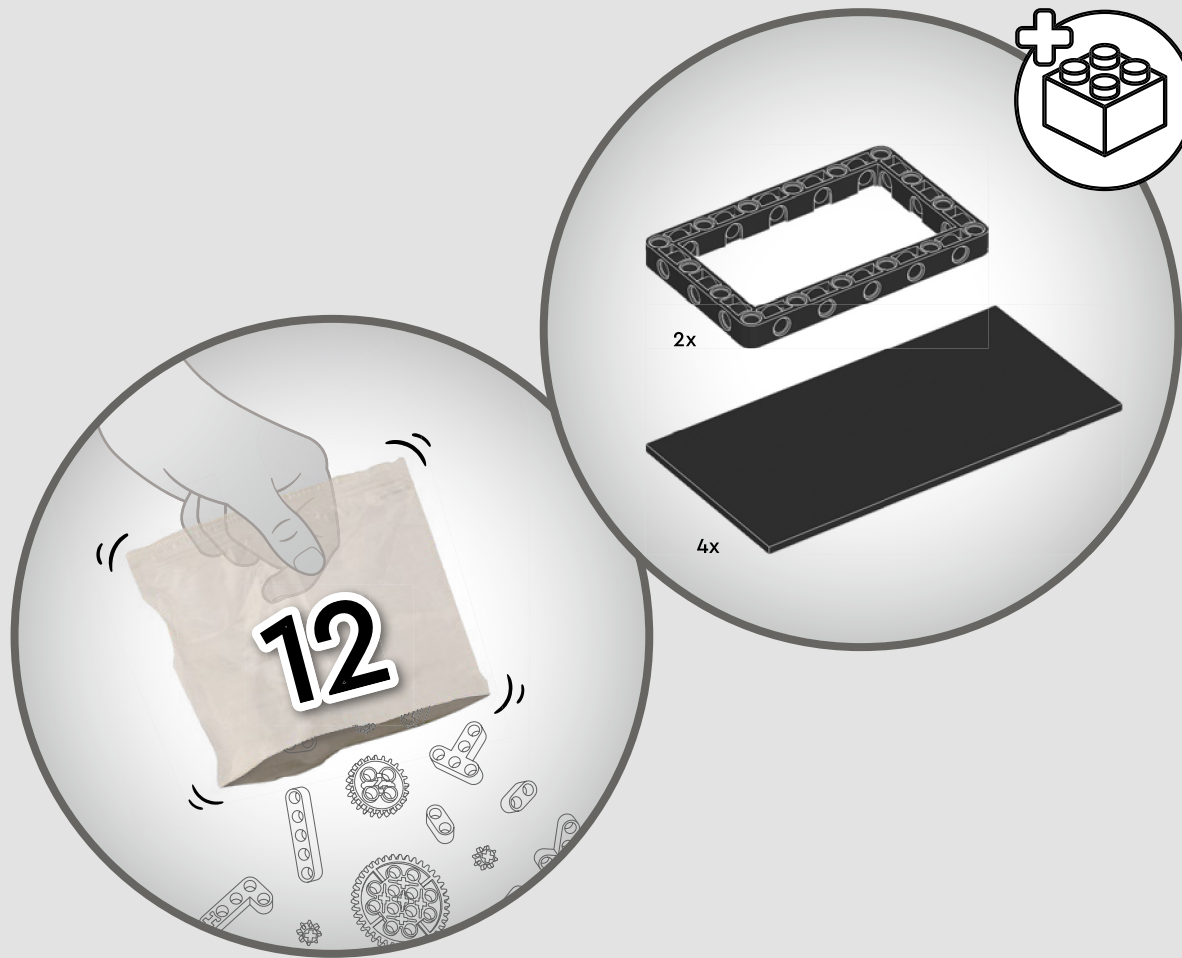
414

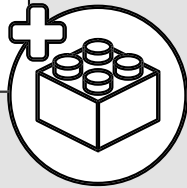
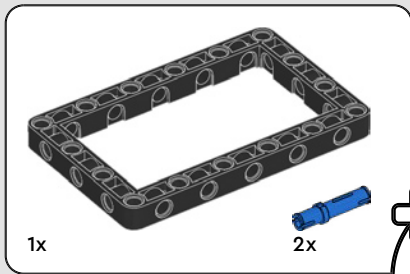
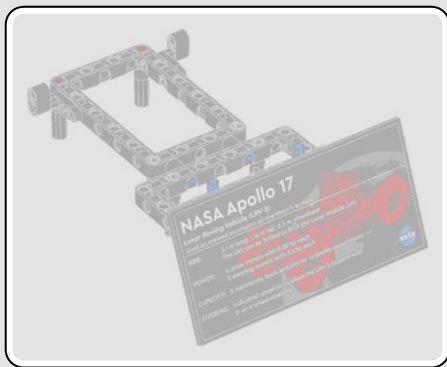




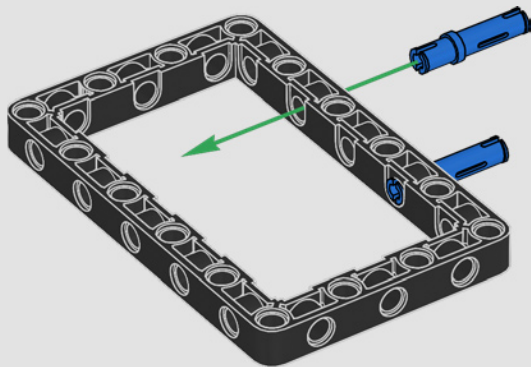
416



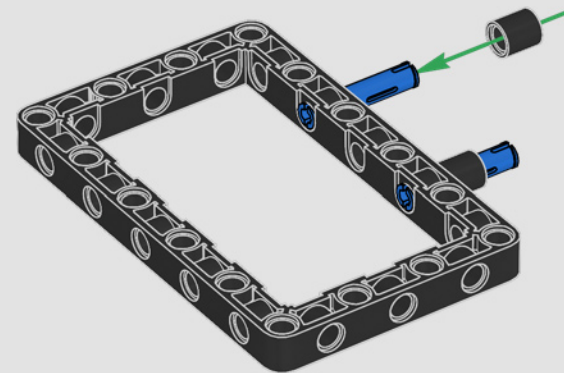


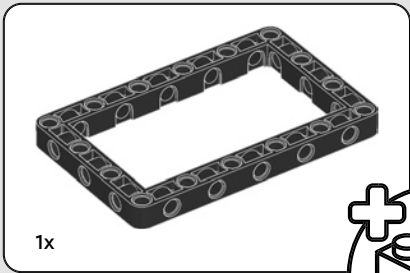


417

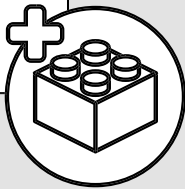


418

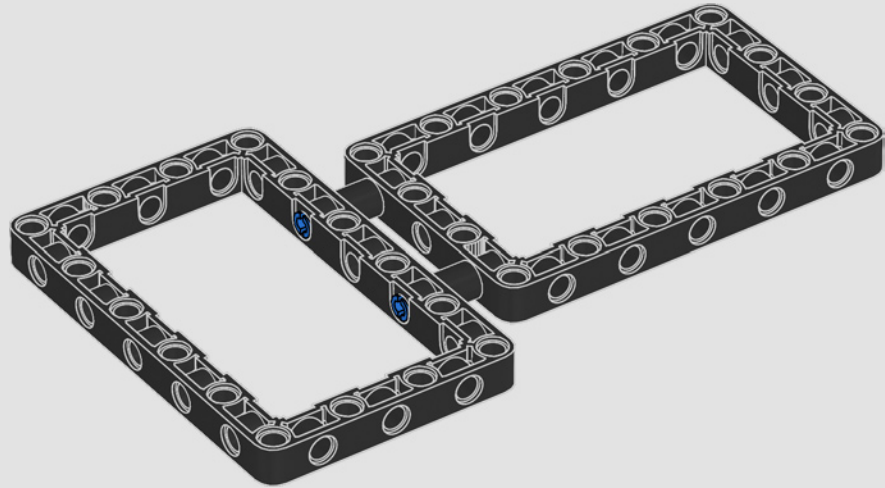




1x



419

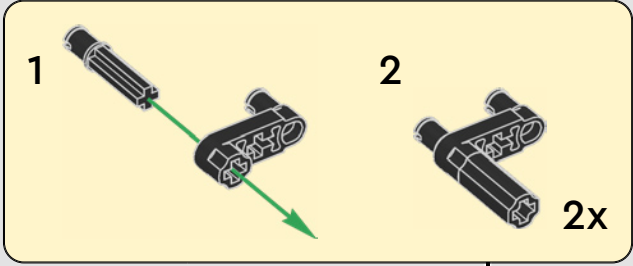


2x

2x

2x

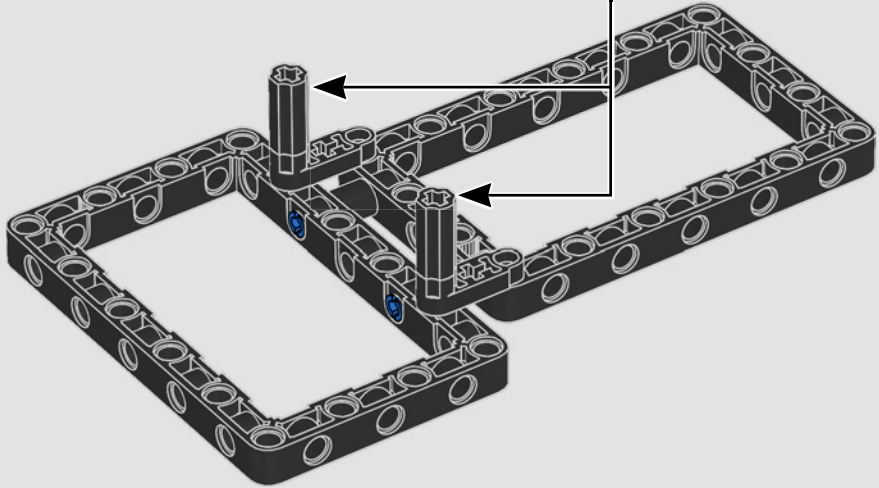
420

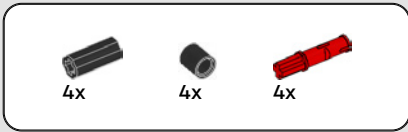


1

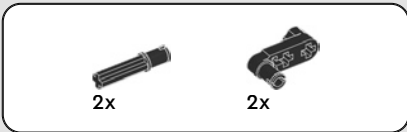
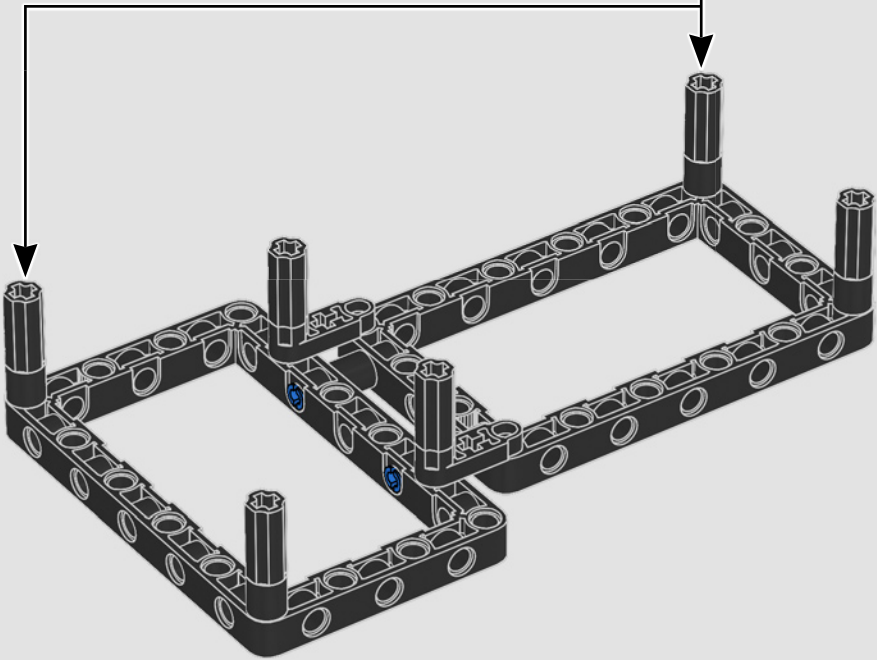
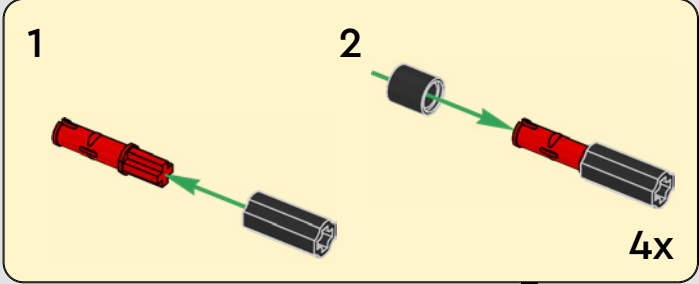
2

2x

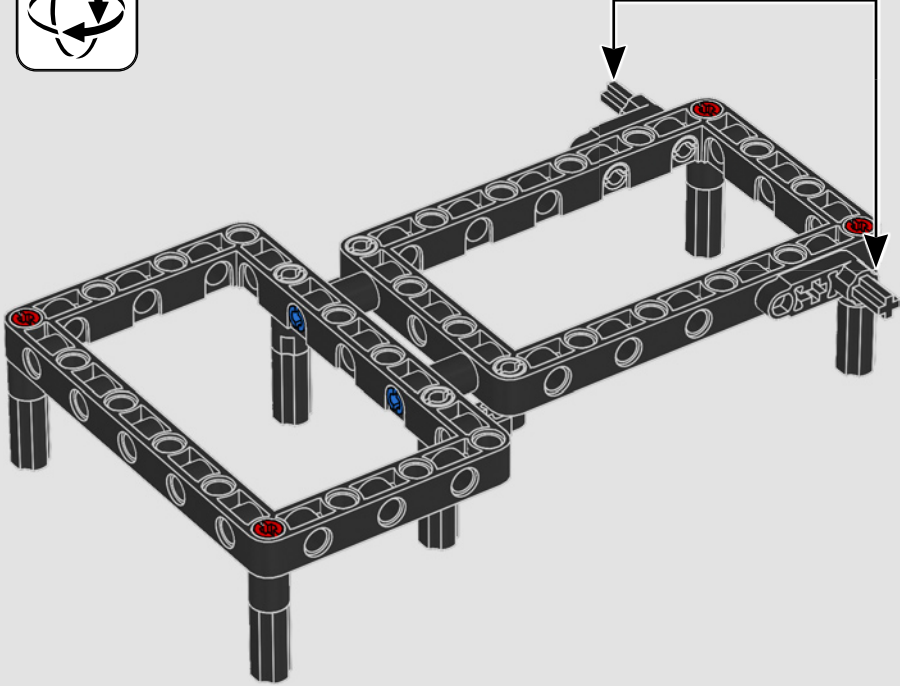
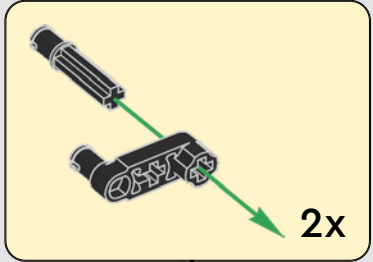




421



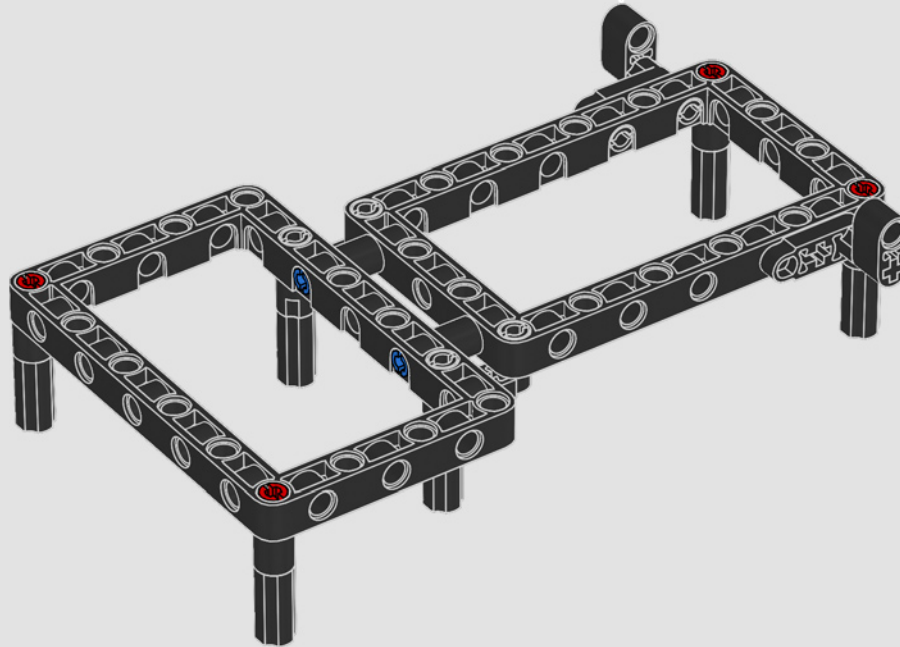
422

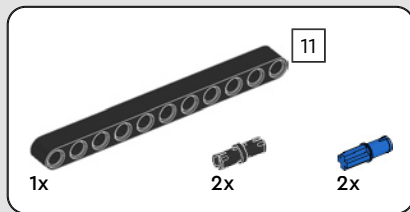




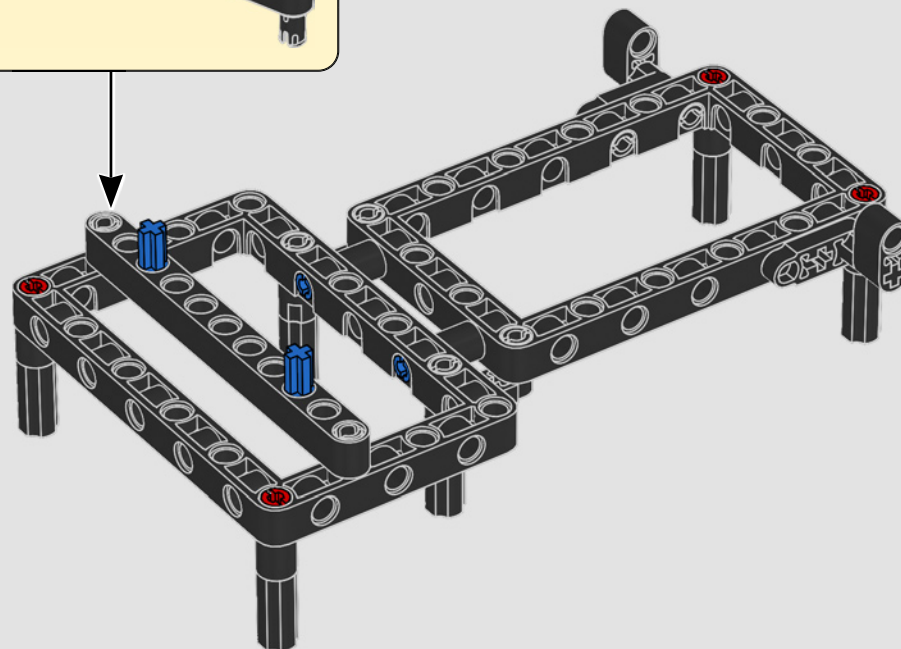
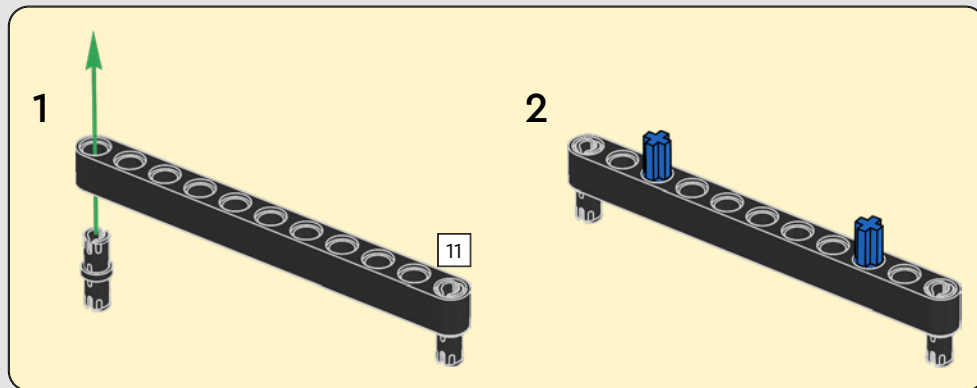
2x

423





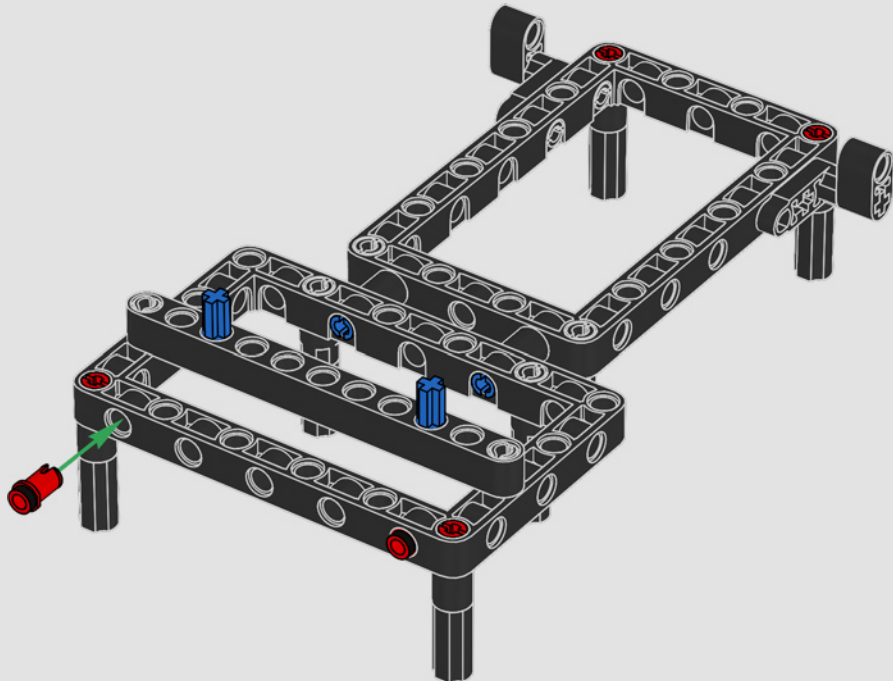
424





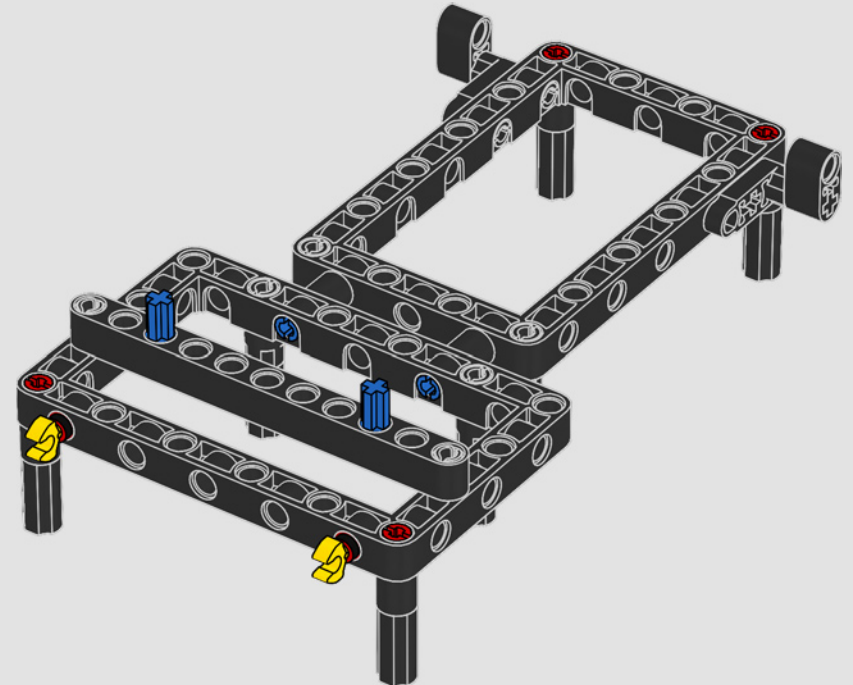
2x

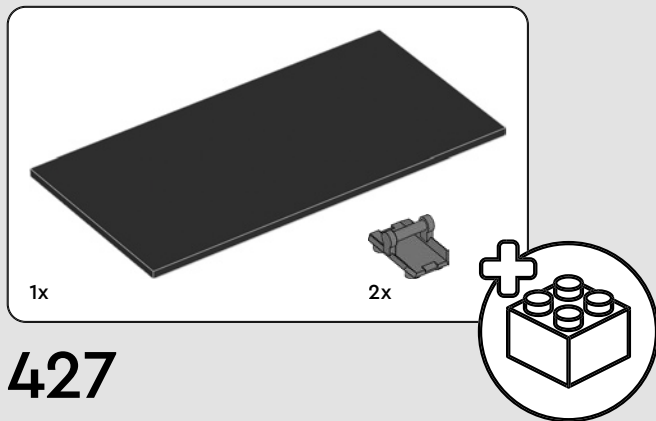
425



2x

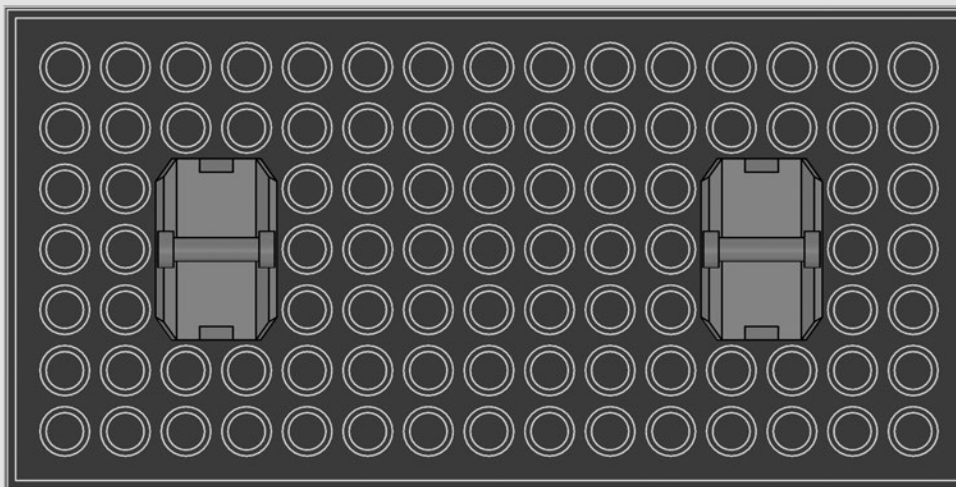
426





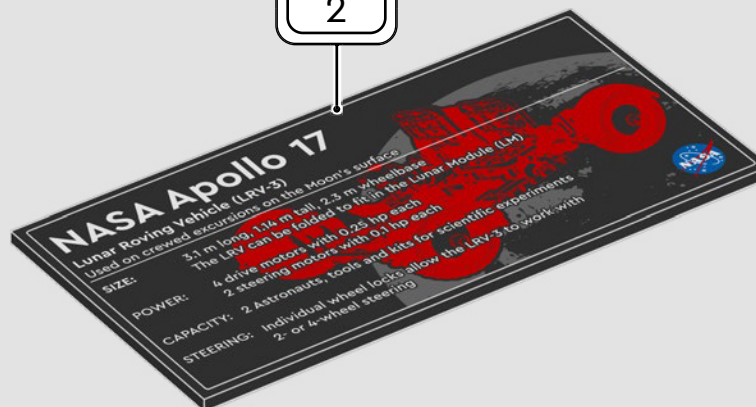
427

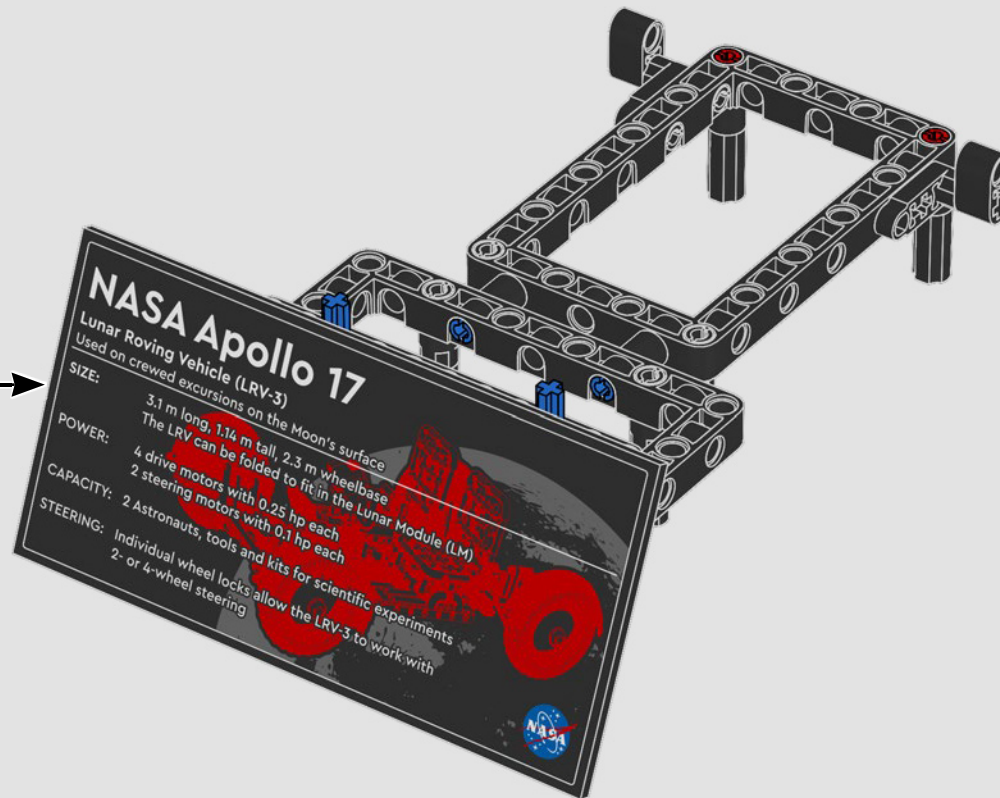
1

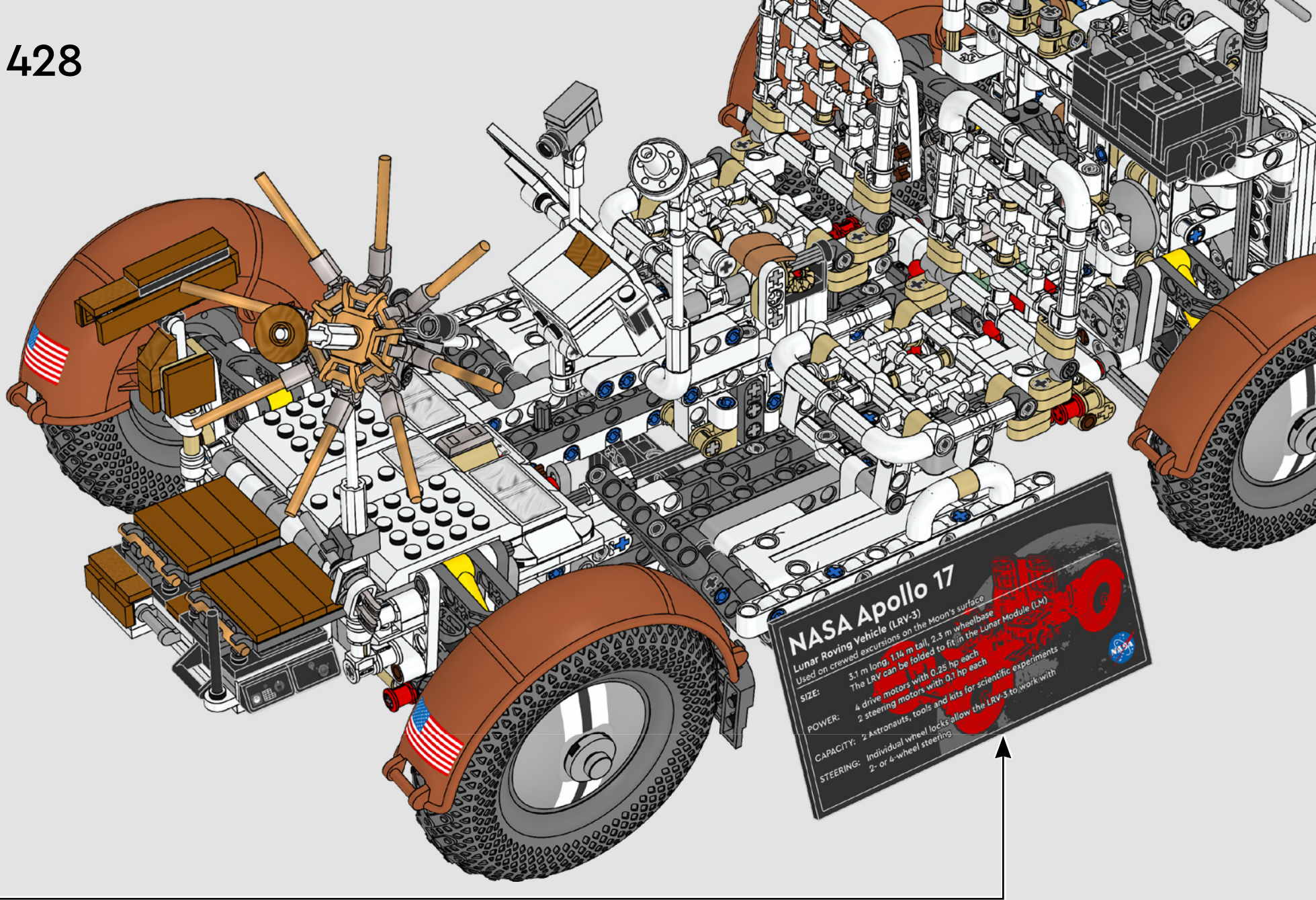


1:1

2







NASA Apollo 17

Lunar Roving Vehicle (LRV-3)

Used on crewed excursions on the Moon's surface

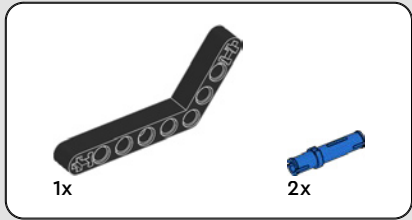
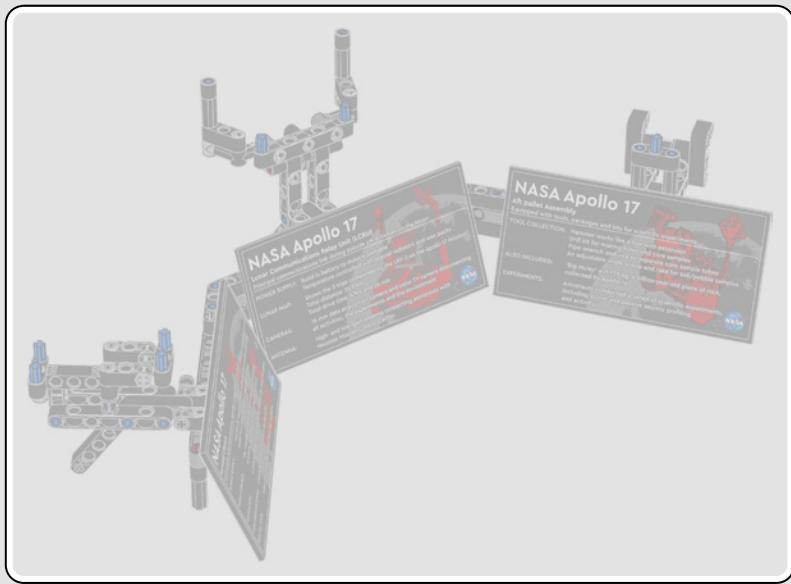
SIZE: 3.1 m long, 1.14 m tall, 2.5 m wheelbase
The LRV can be folded to fit in the Lunar Module (LM)

POWER: 4 drive motors with 0.25 hp each
2 steering motors with 0.1 hp each

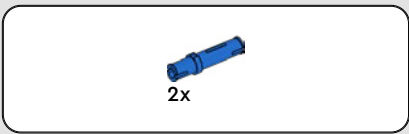
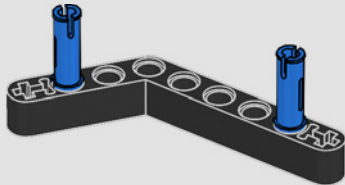
CAPACITY: 2 Astronauts, tools and kits for scientific experiments

STEERING: Individual wheel locks allow the LRV-3 to work with
2- or 4-wheel steering

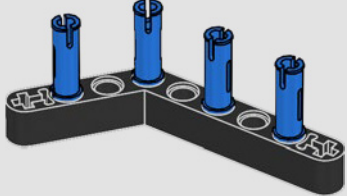


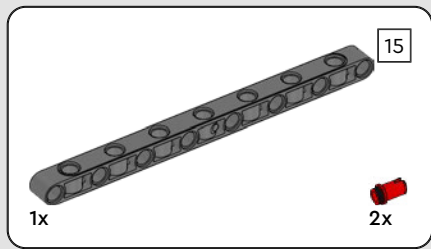


429

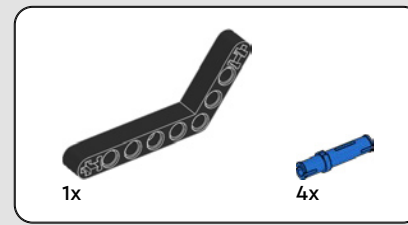
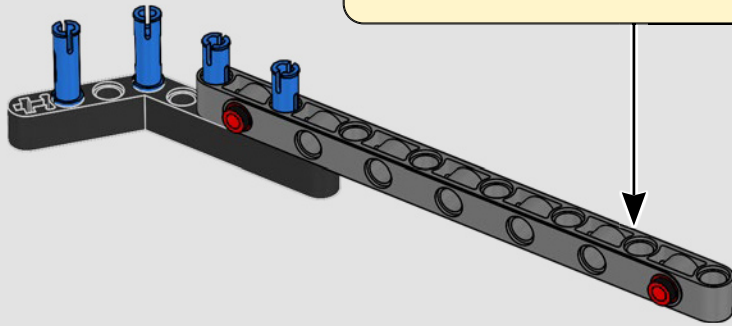
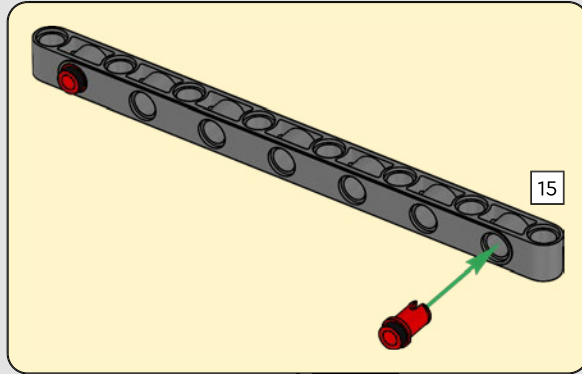


430

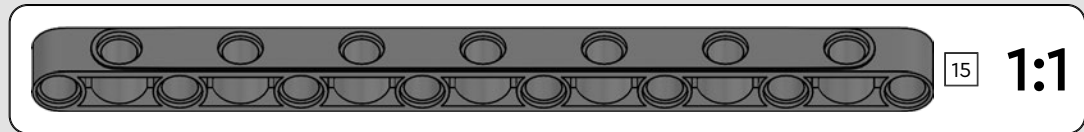
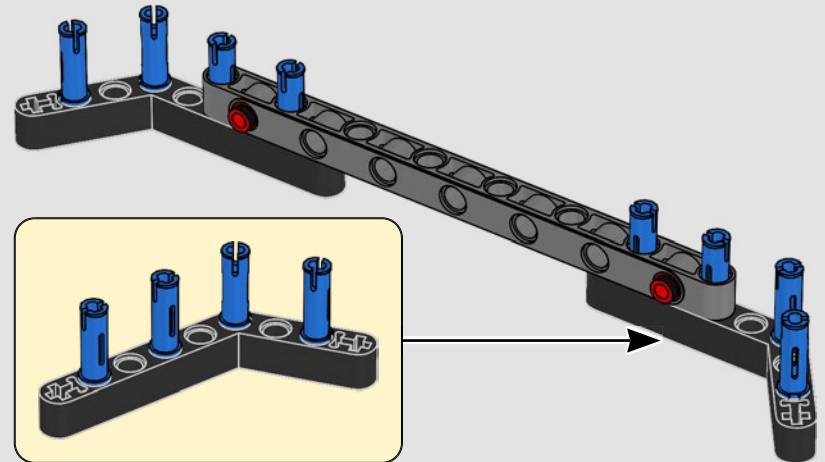


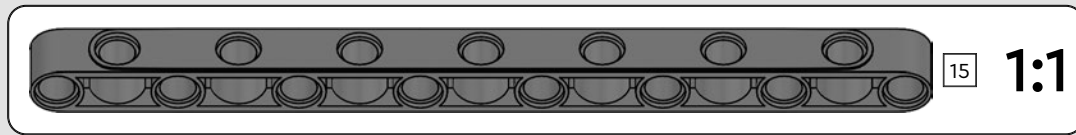
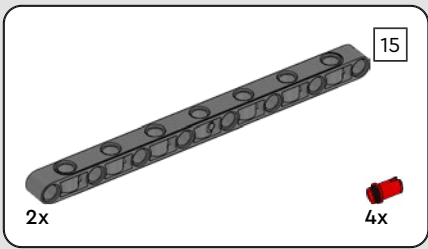


431

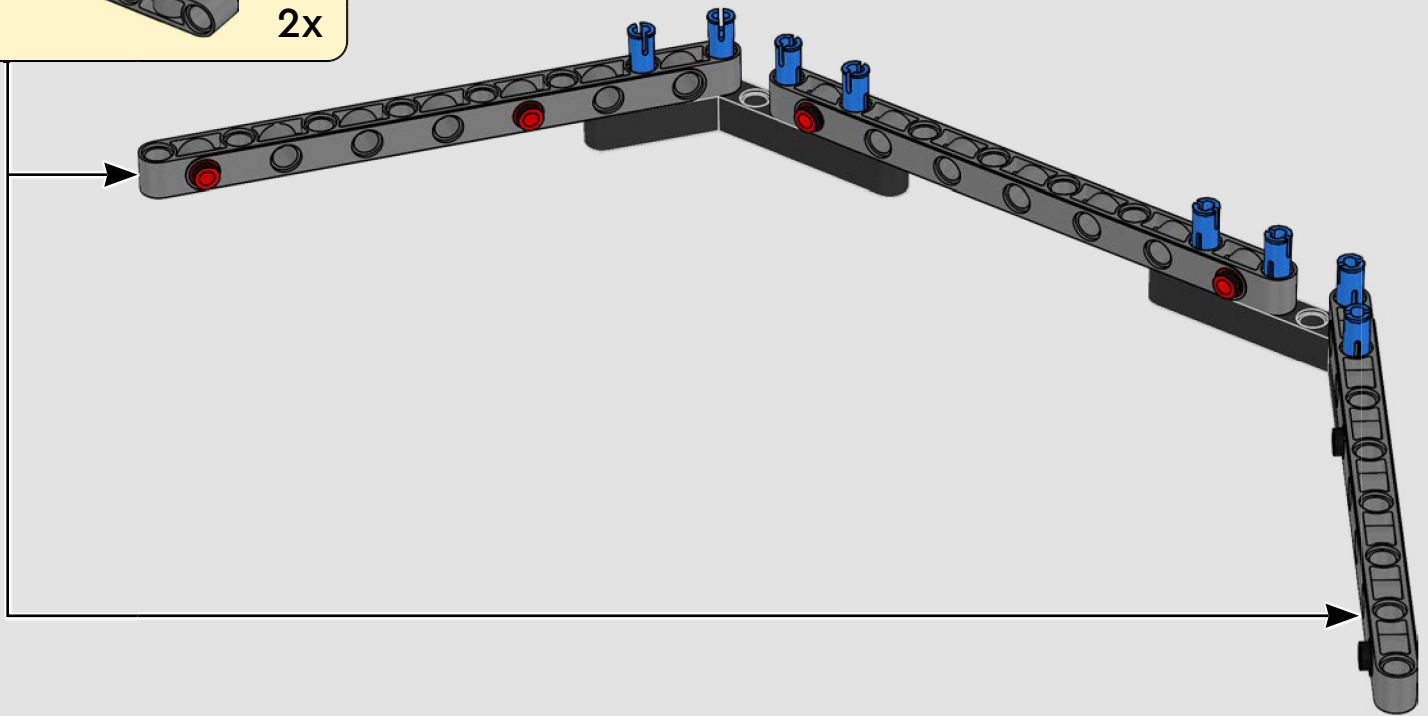
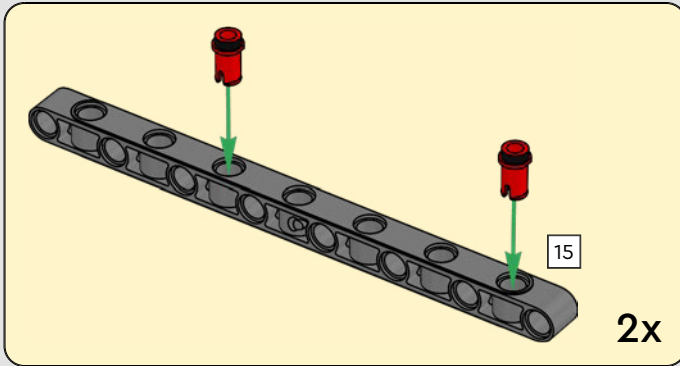


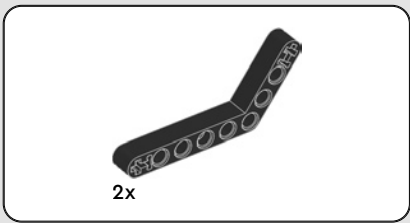
432



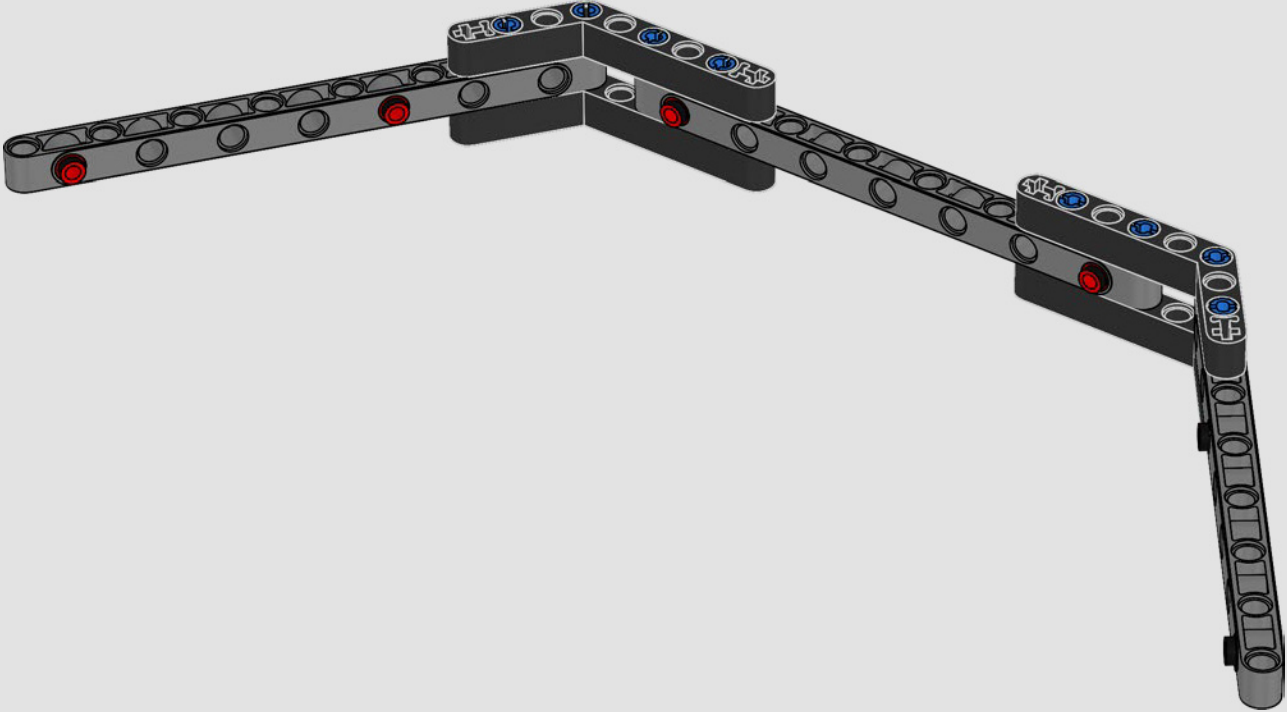


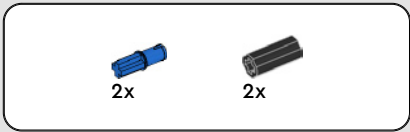
433



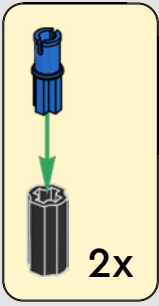
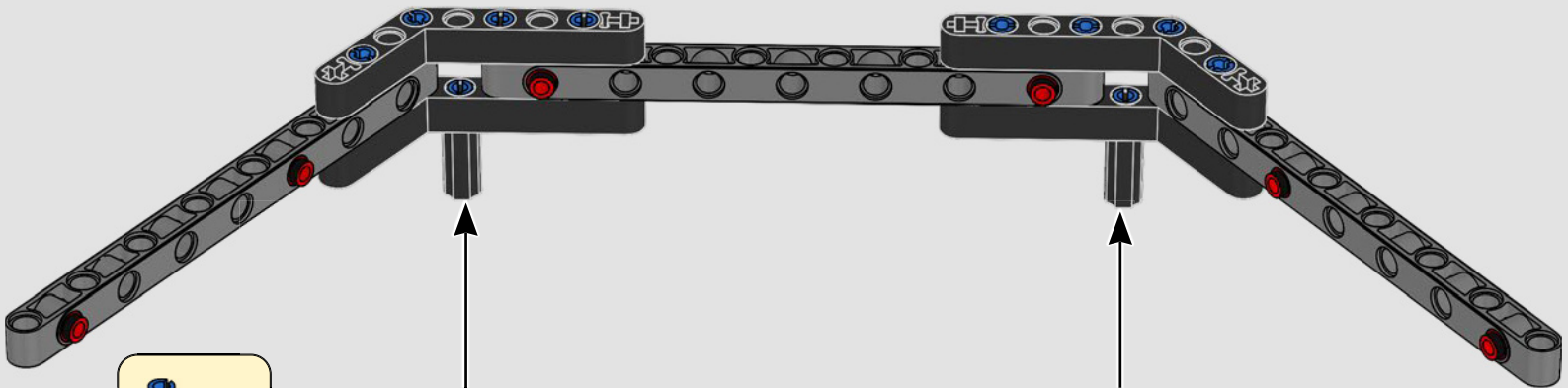


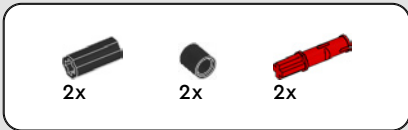
434



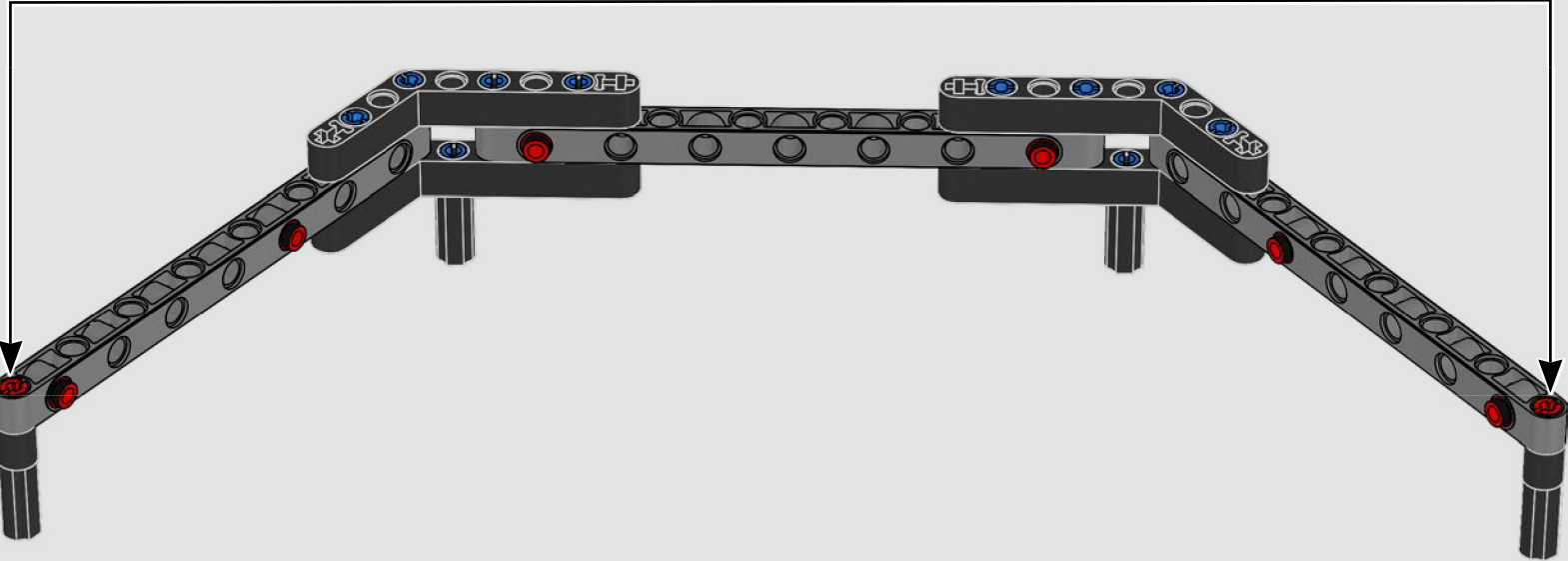
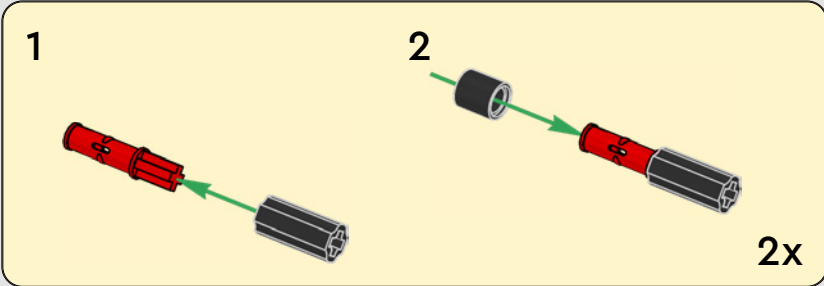


435





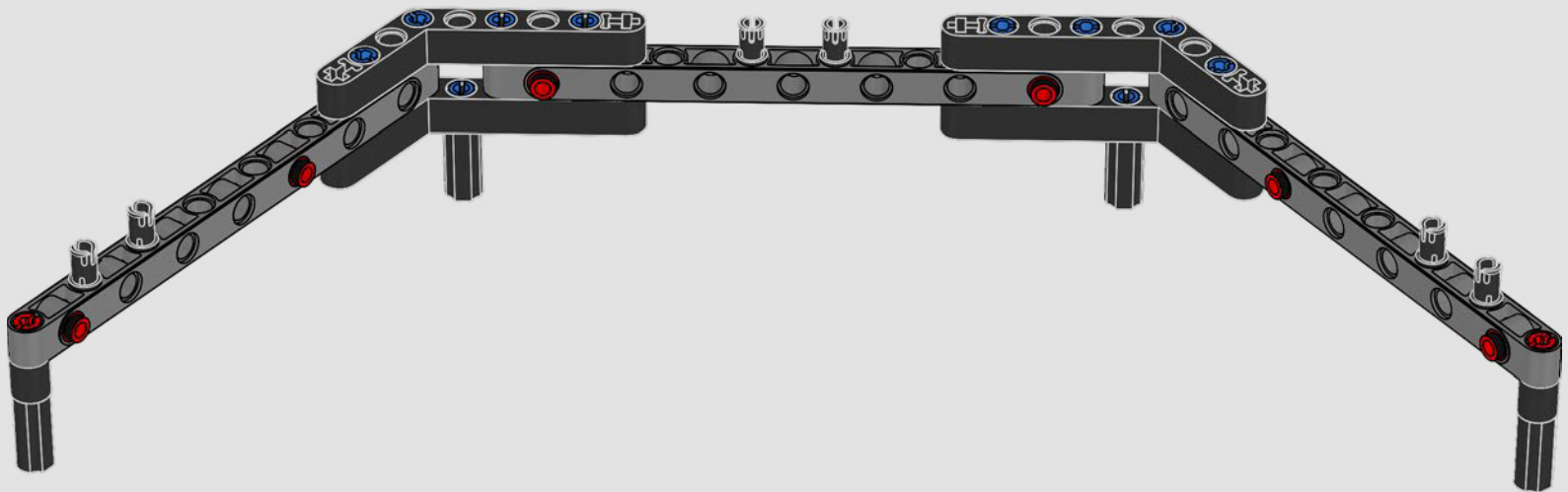
436

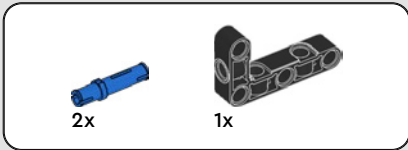
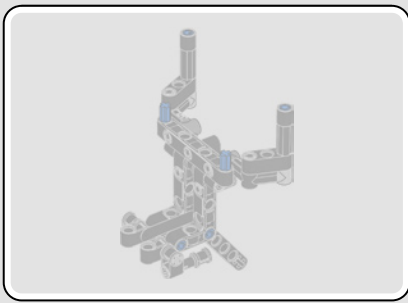




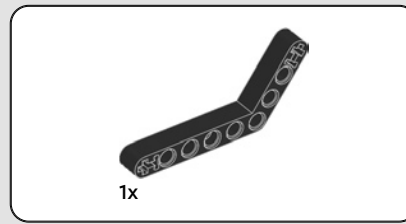
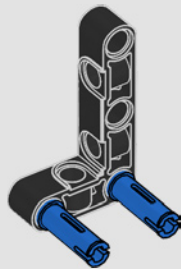
6x

437

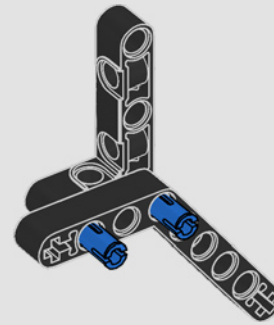




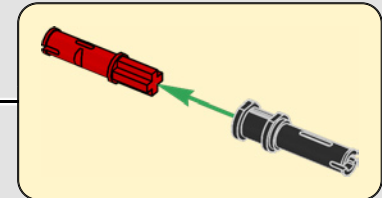
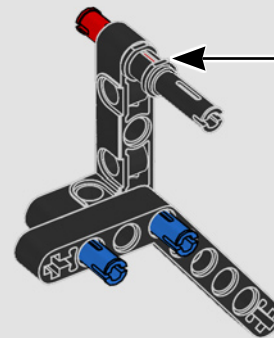
438

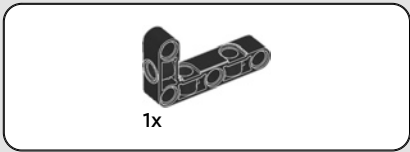


439

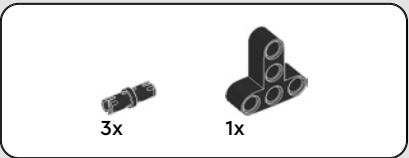
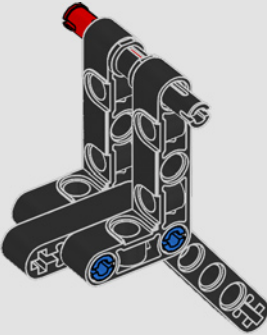


440

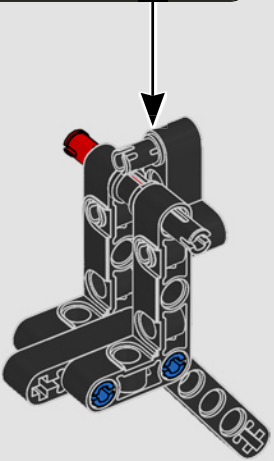
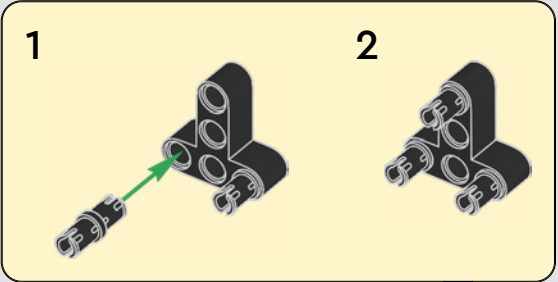


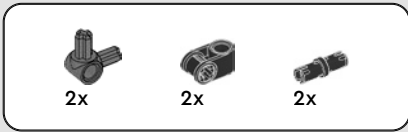


441

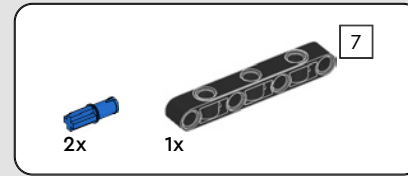
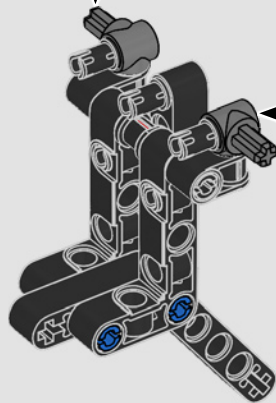
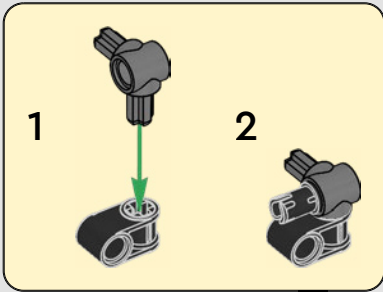
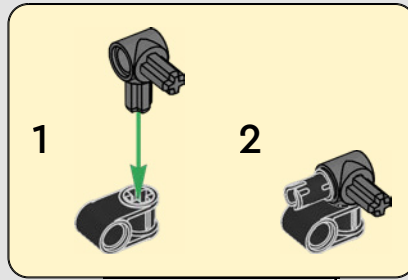


442

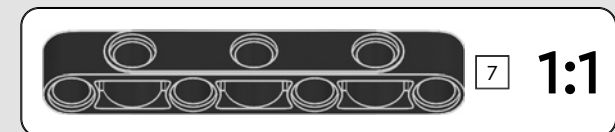
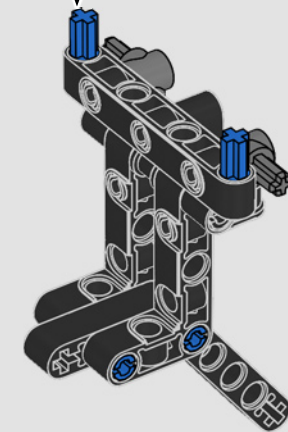
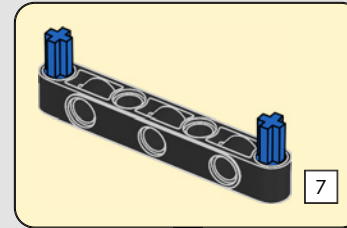


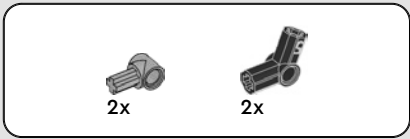


443

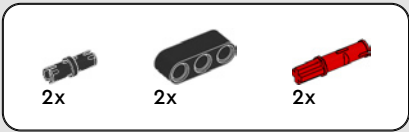
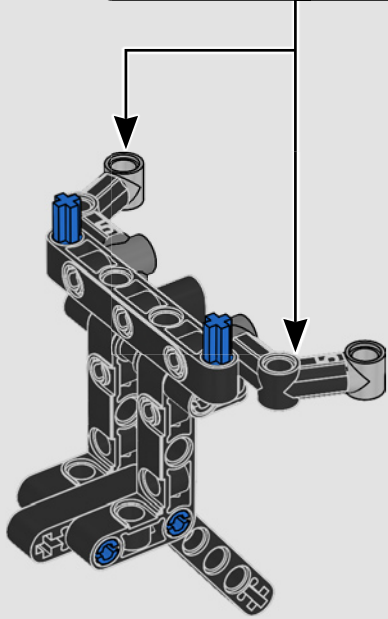
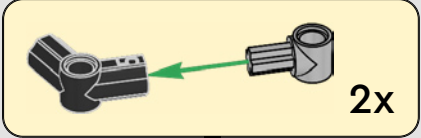


444

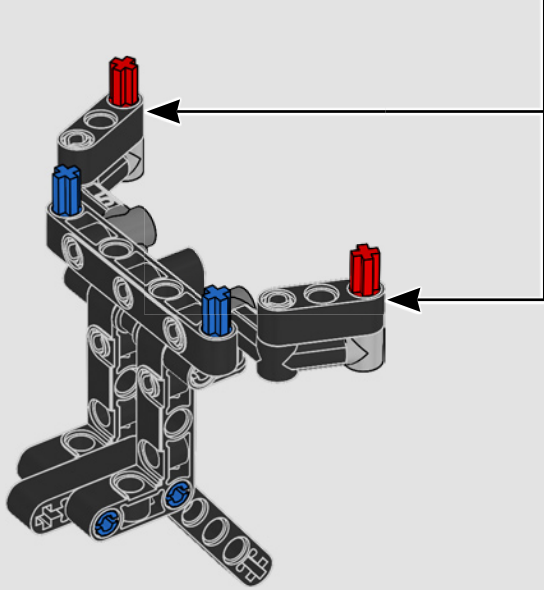
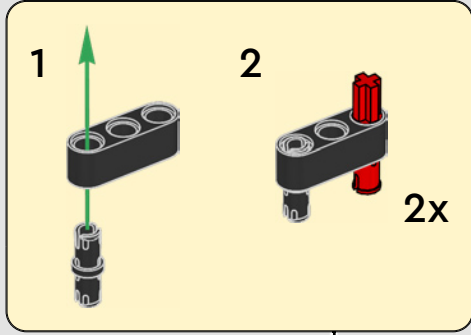


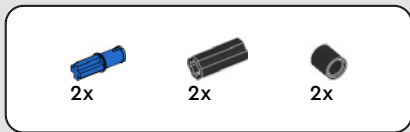


445

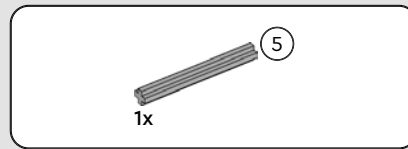
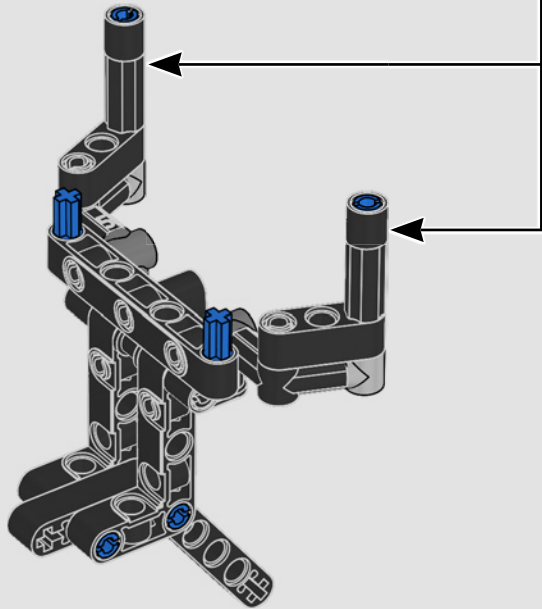
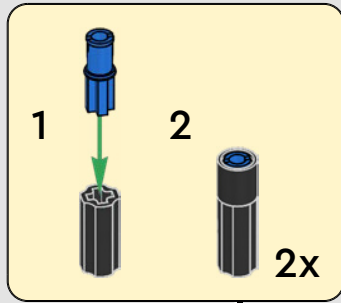


446

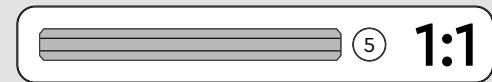
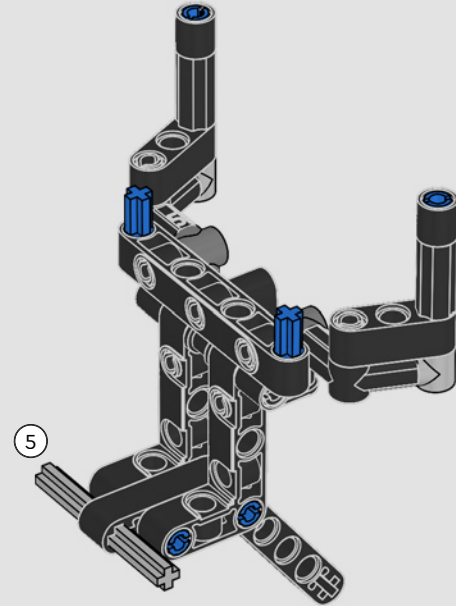




447



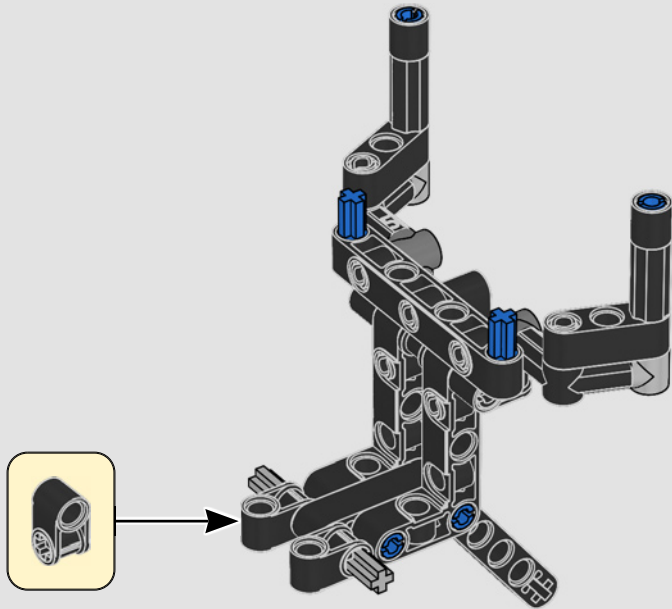
448





2x

449

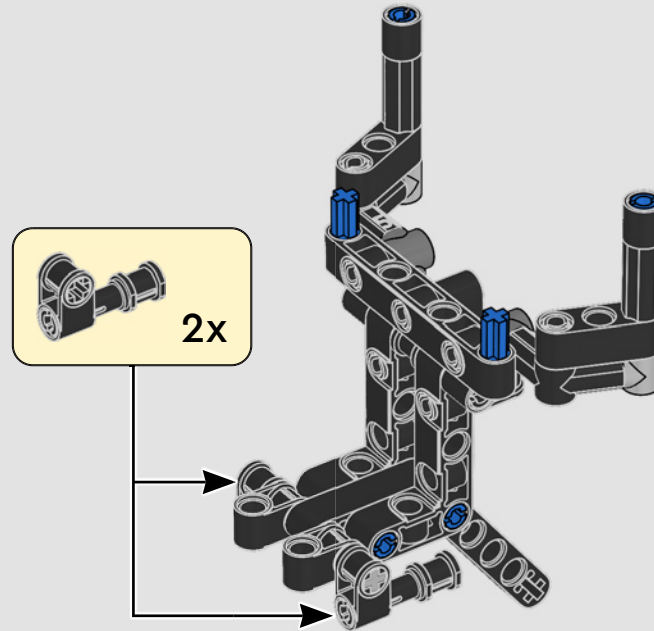


2x

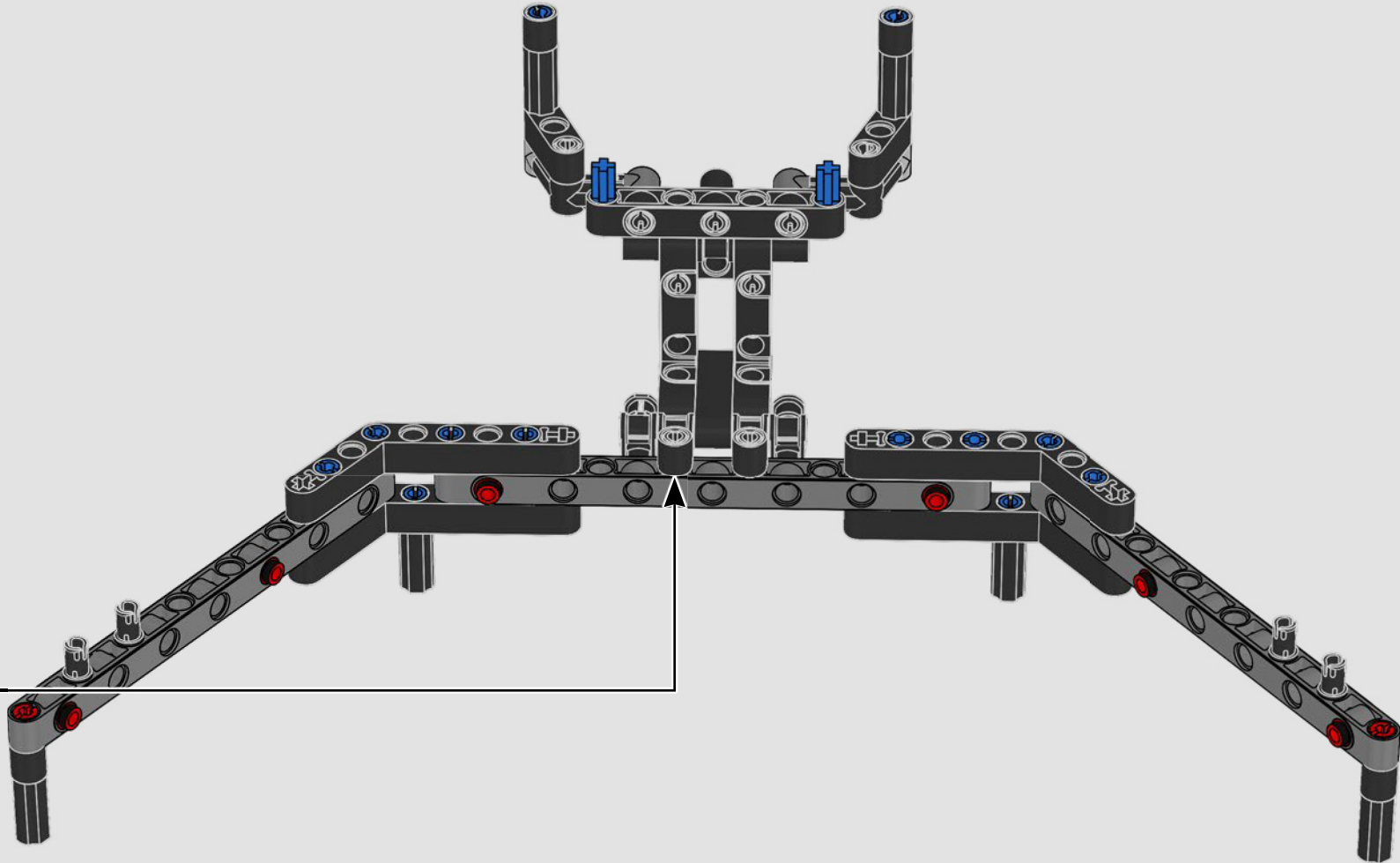


2x

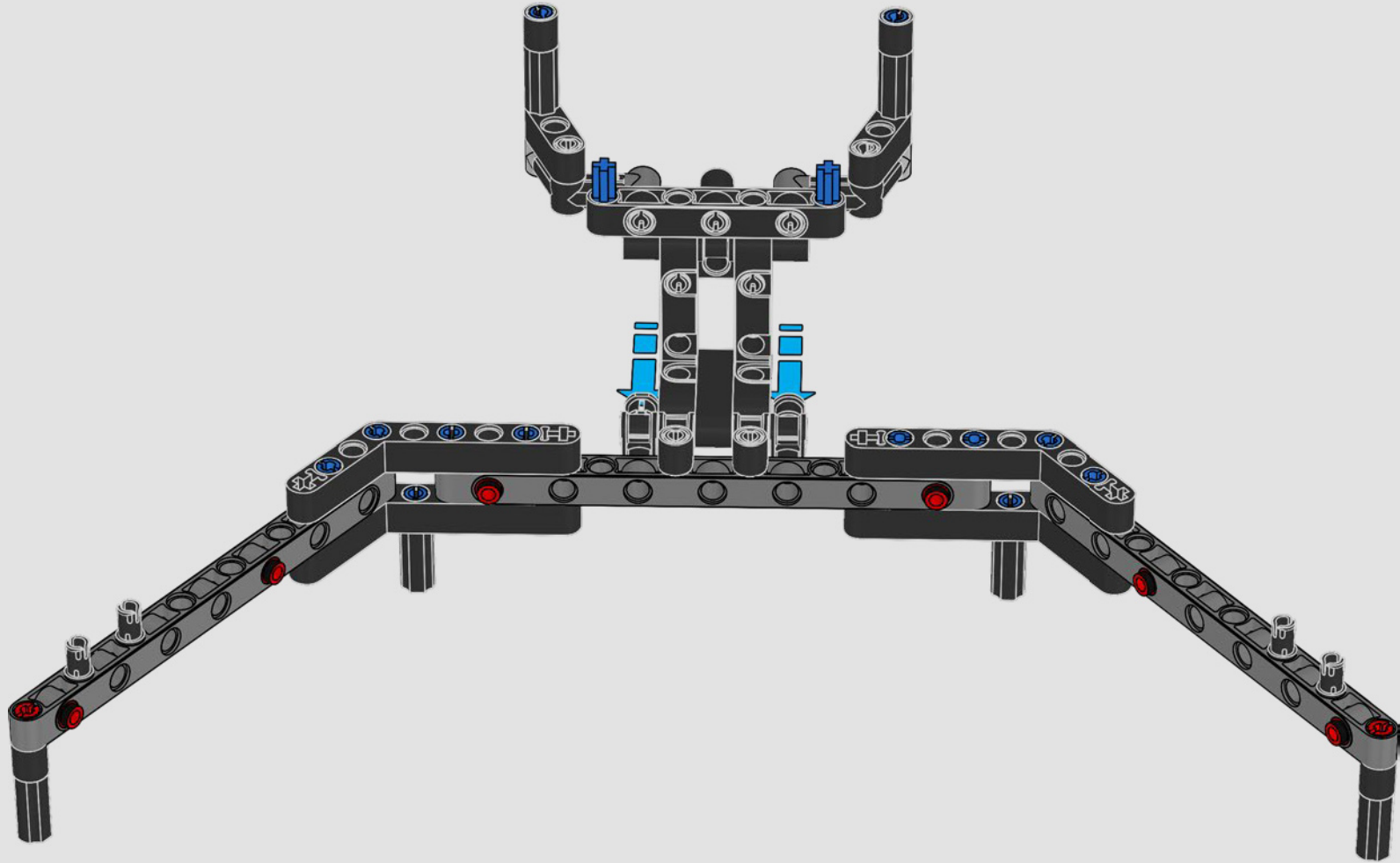
450

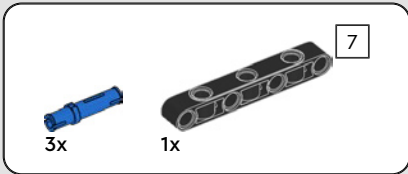
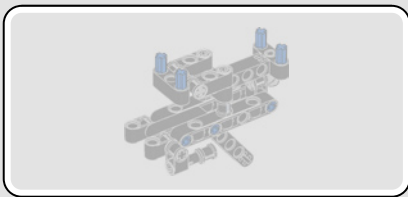


451

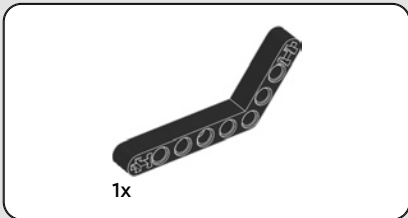
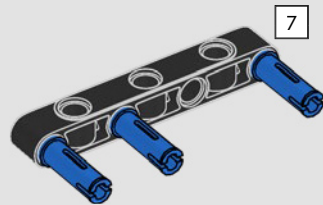


452

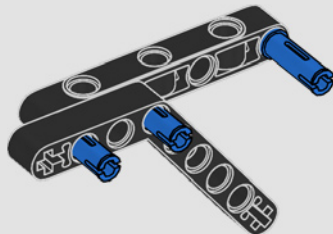




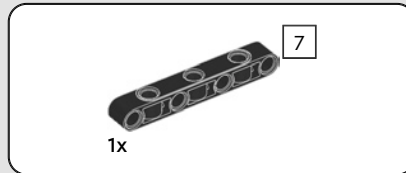
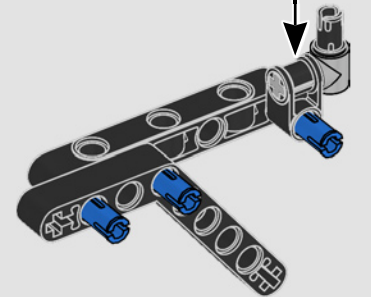
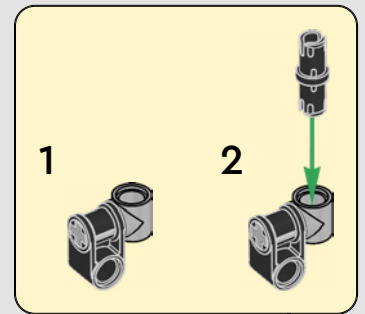
453



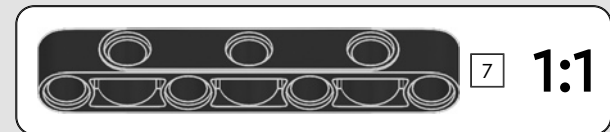
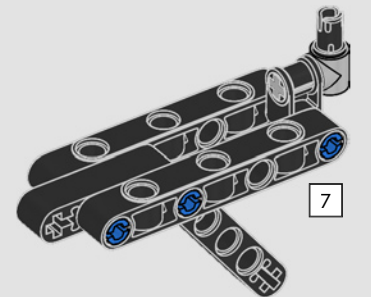
454

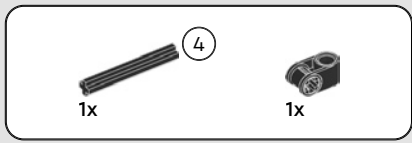


455

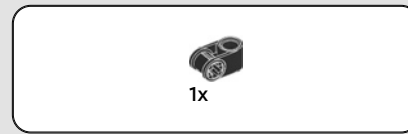
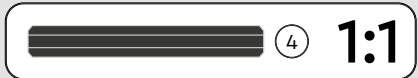
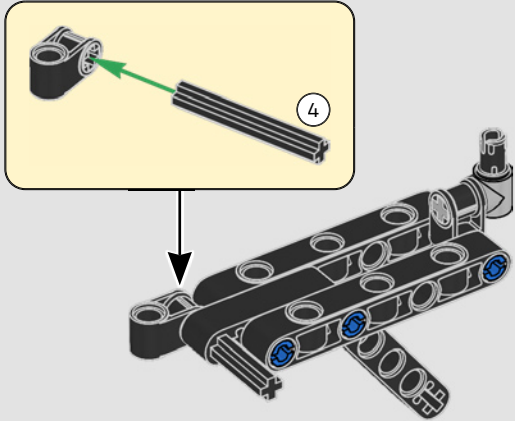


456

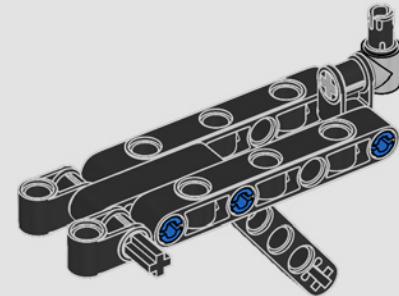


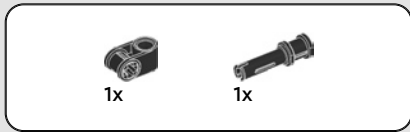


457

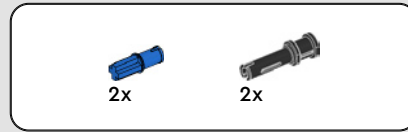
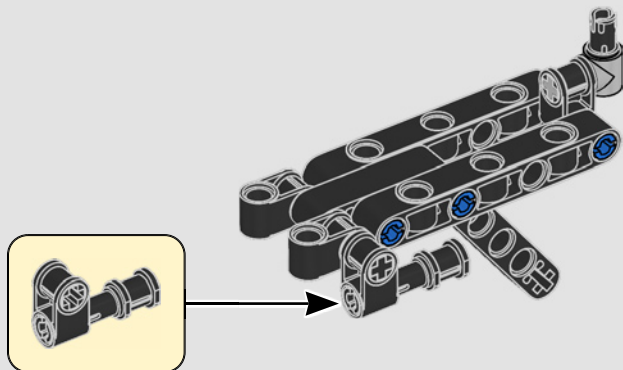


458

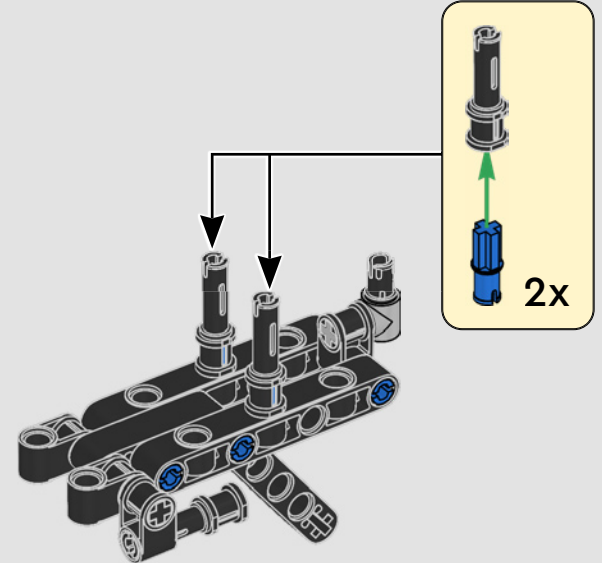


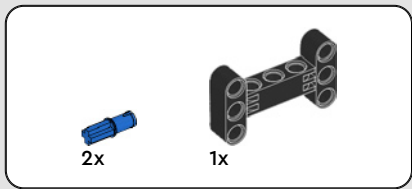


459

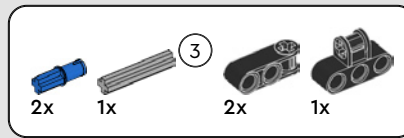
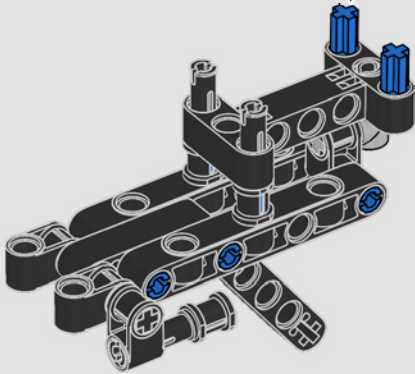
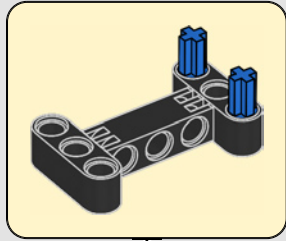


460

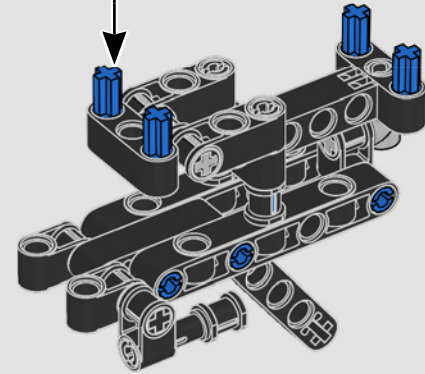
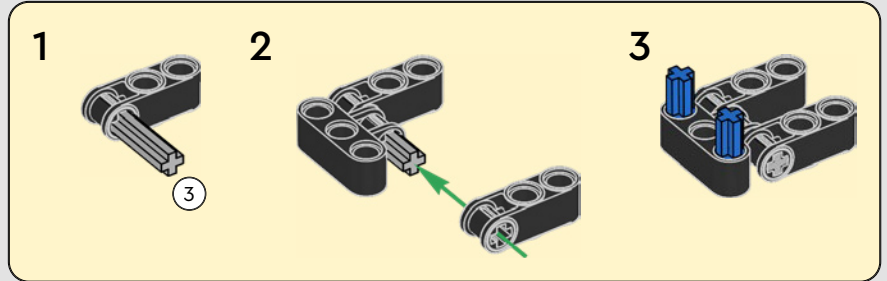




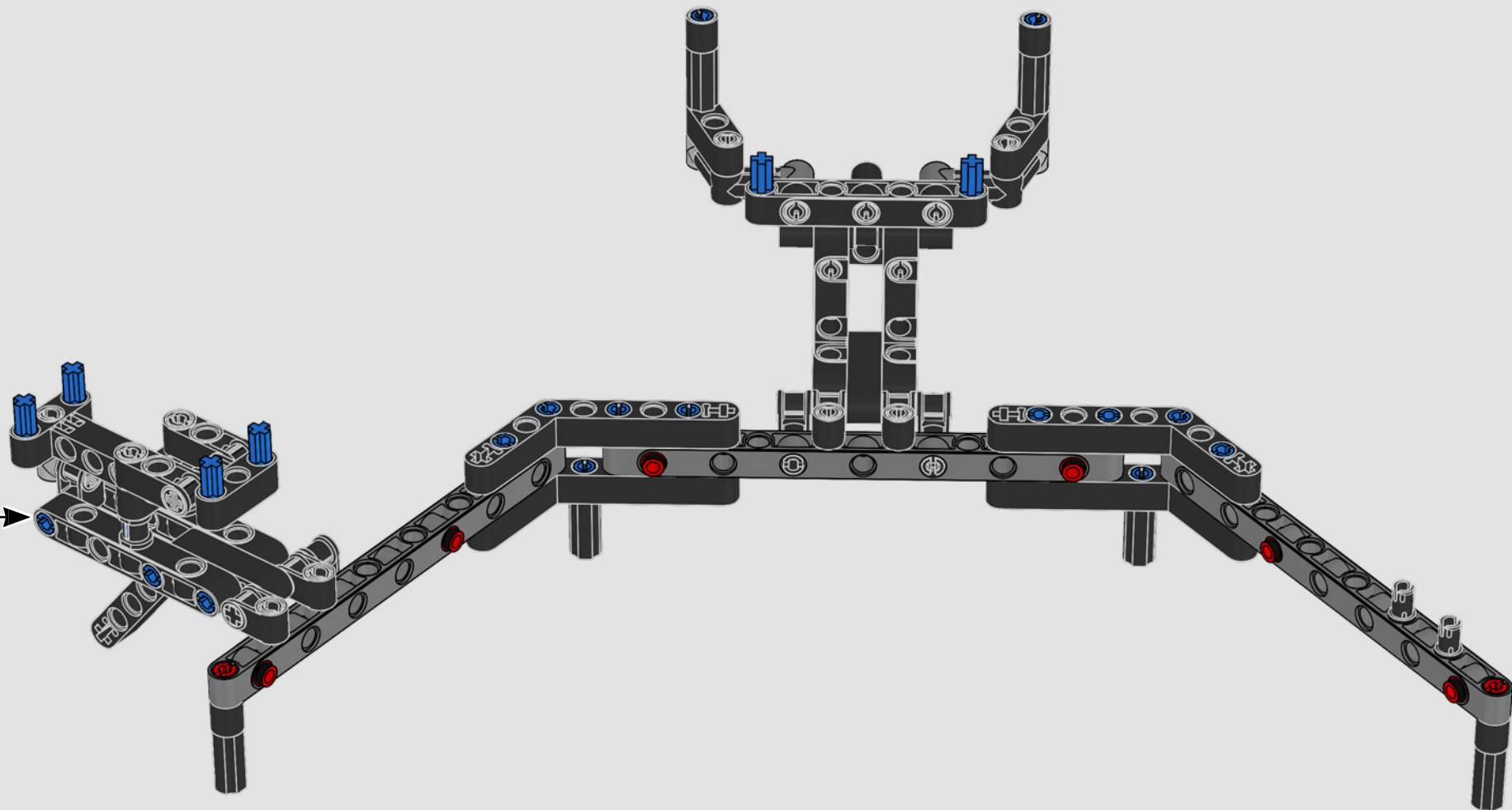
461



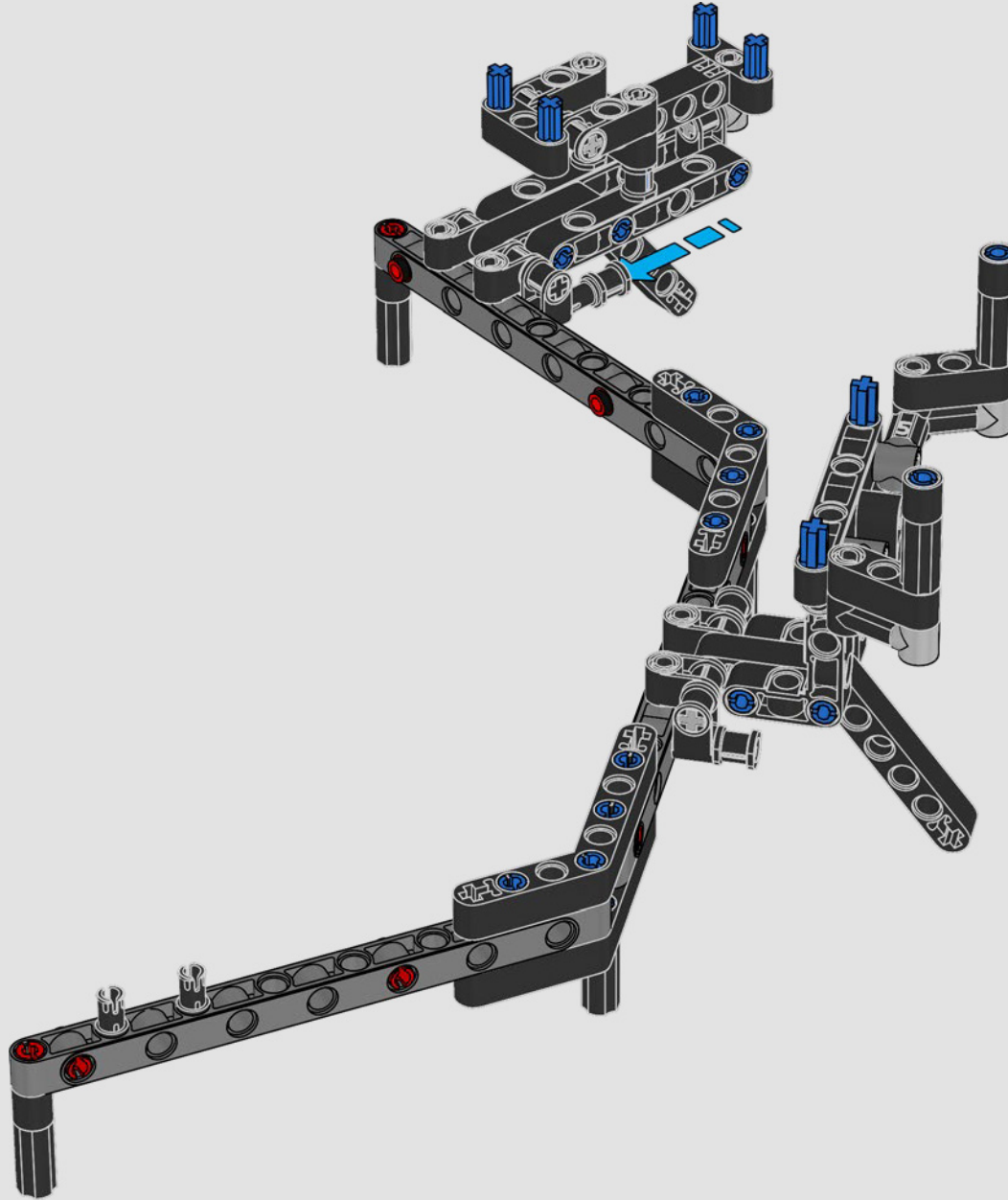
462

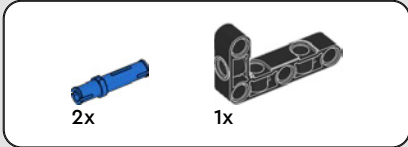
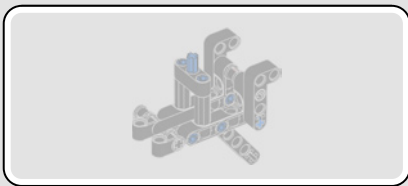


463

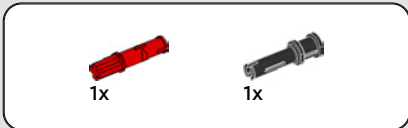
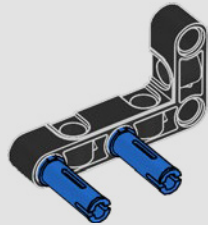


464

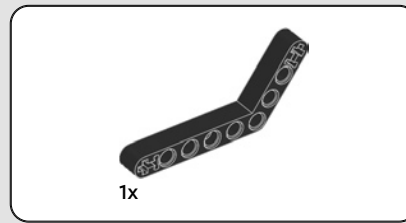
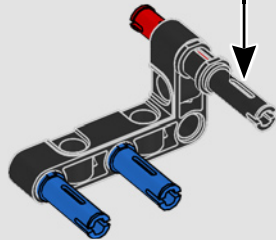
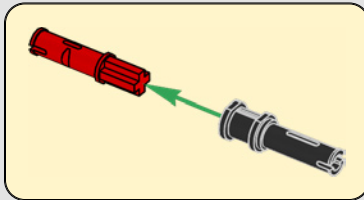




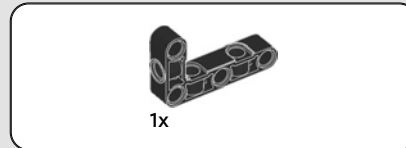
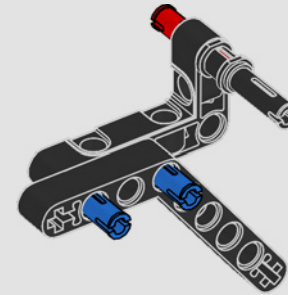
465



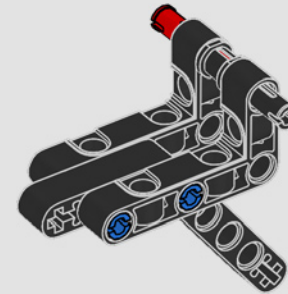
466

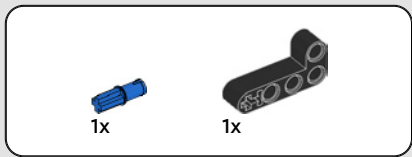


467

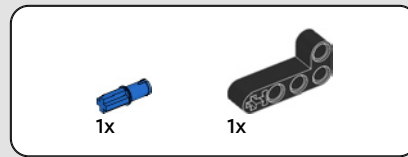
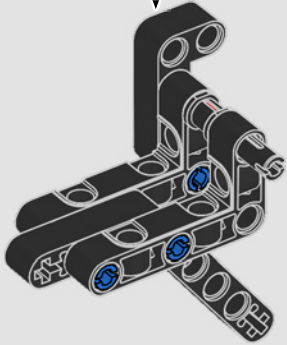
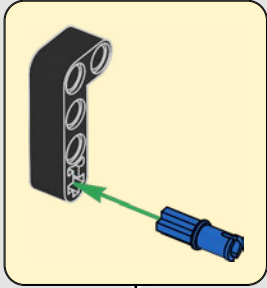


468

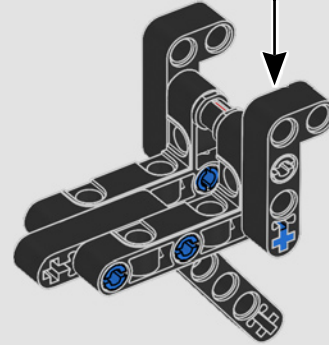
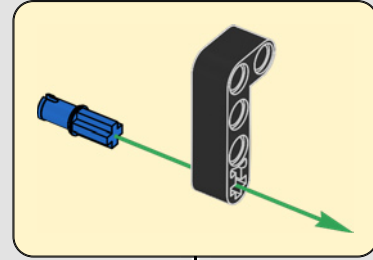


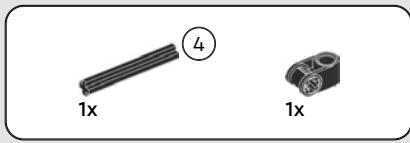


469

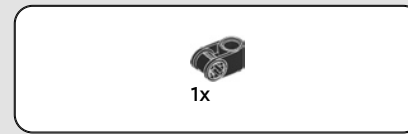
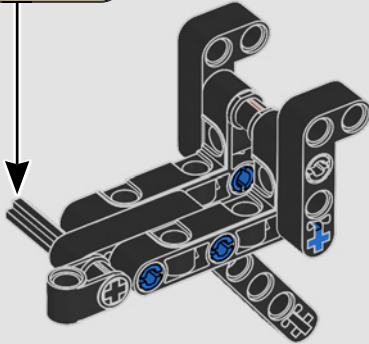
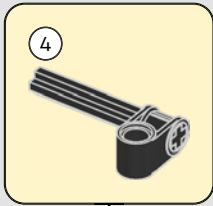


470

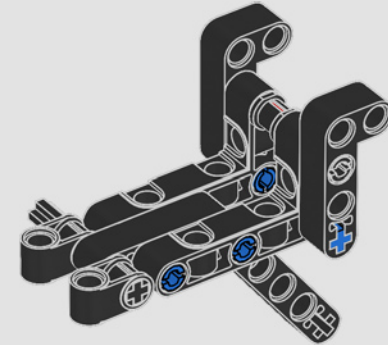




471



472



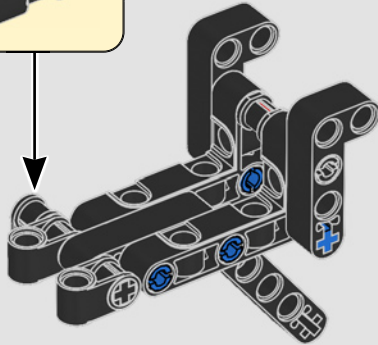
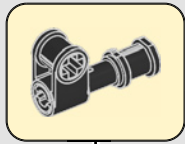


1x



1x

473

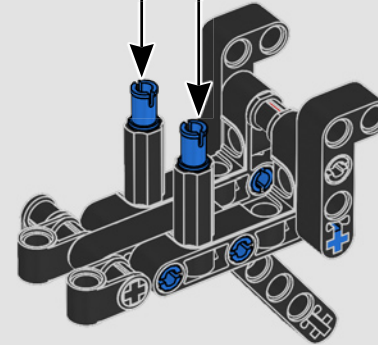
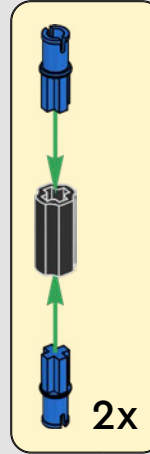


4x



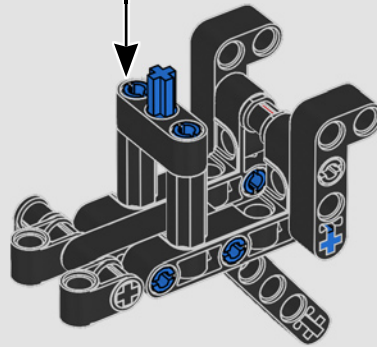
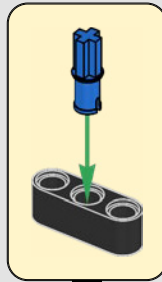
2x

474

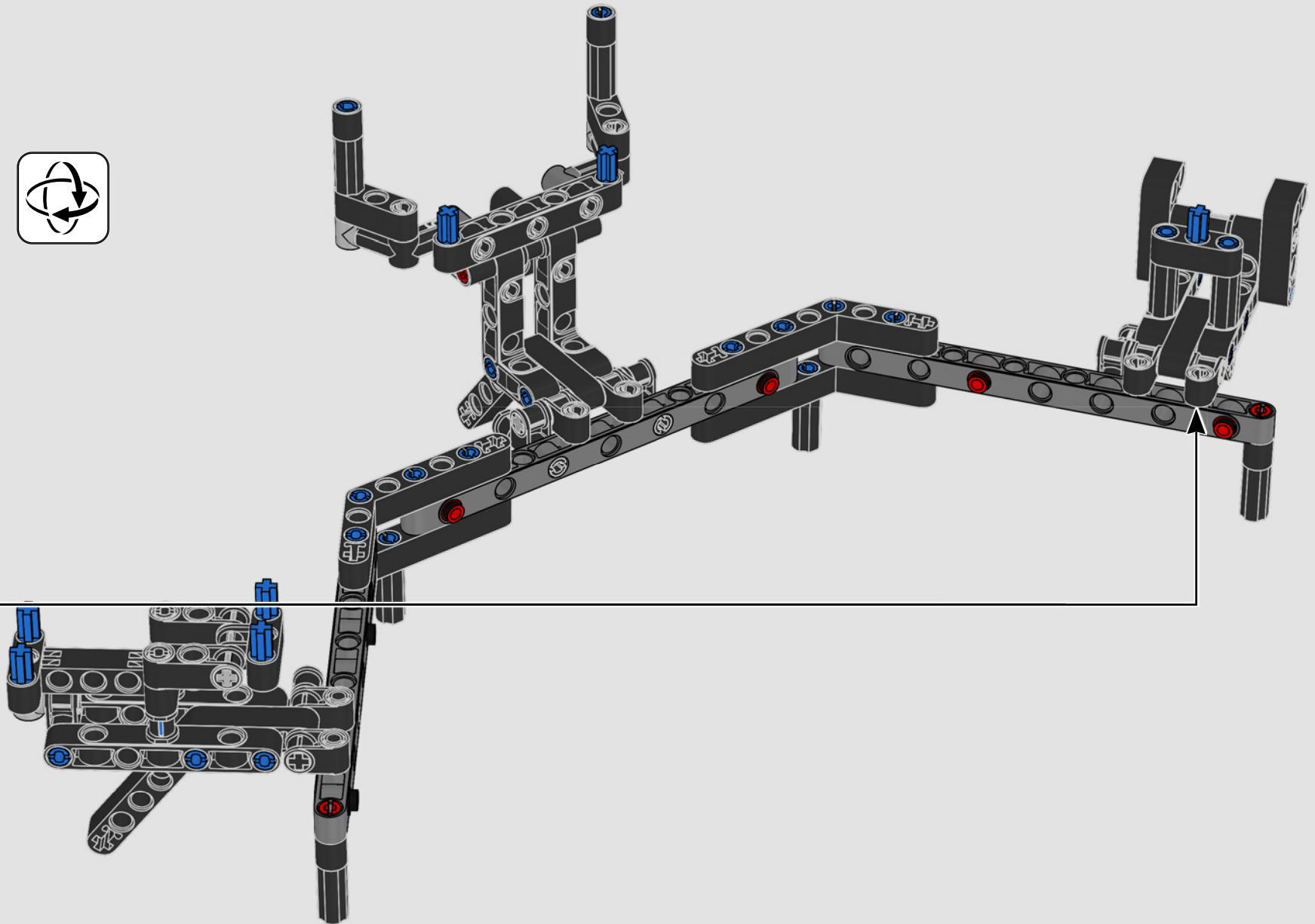




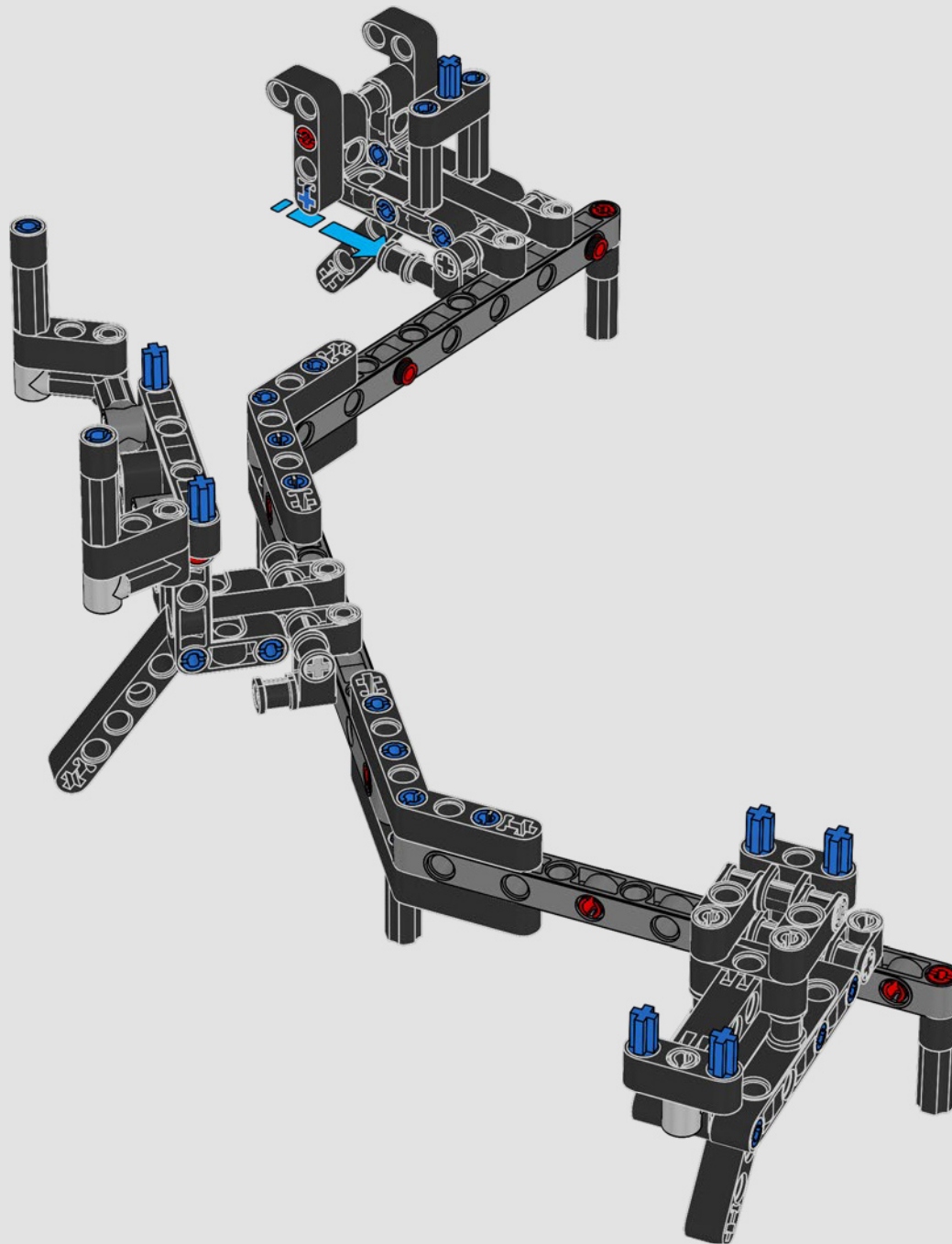
475



476



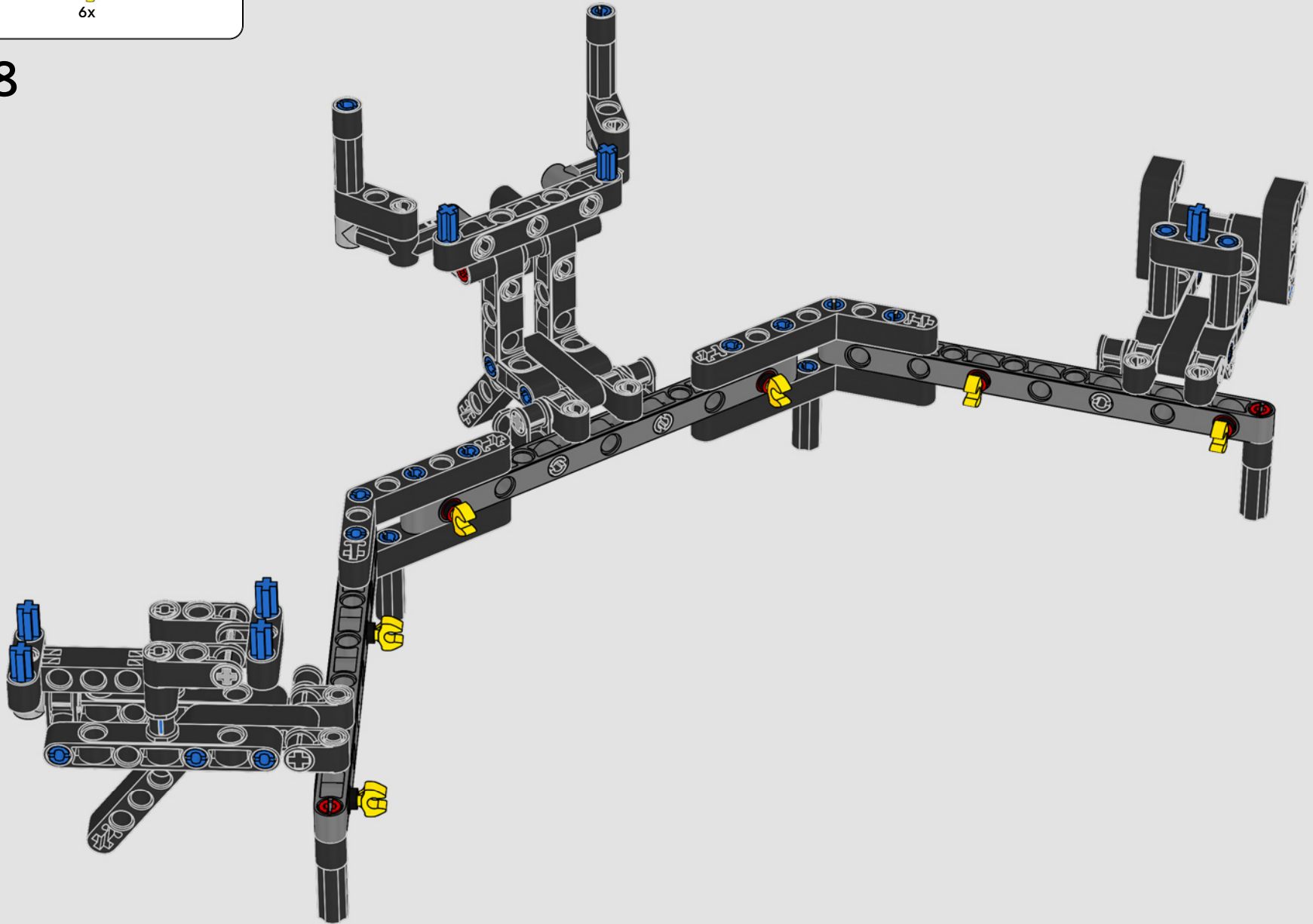
477

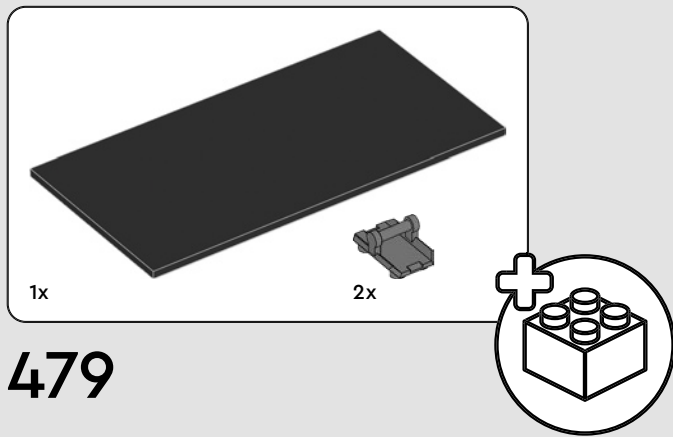




6x

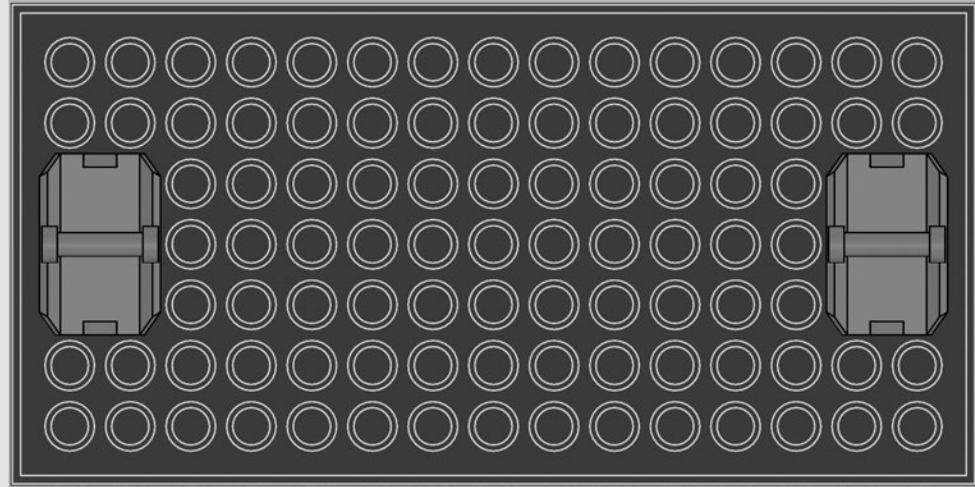
478





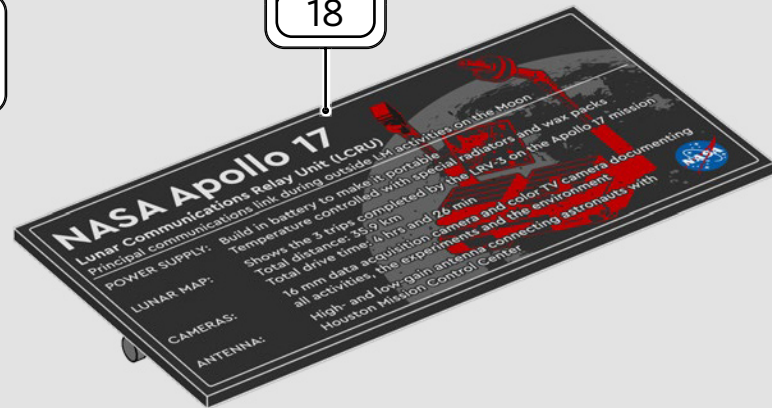
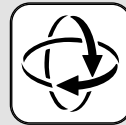
479

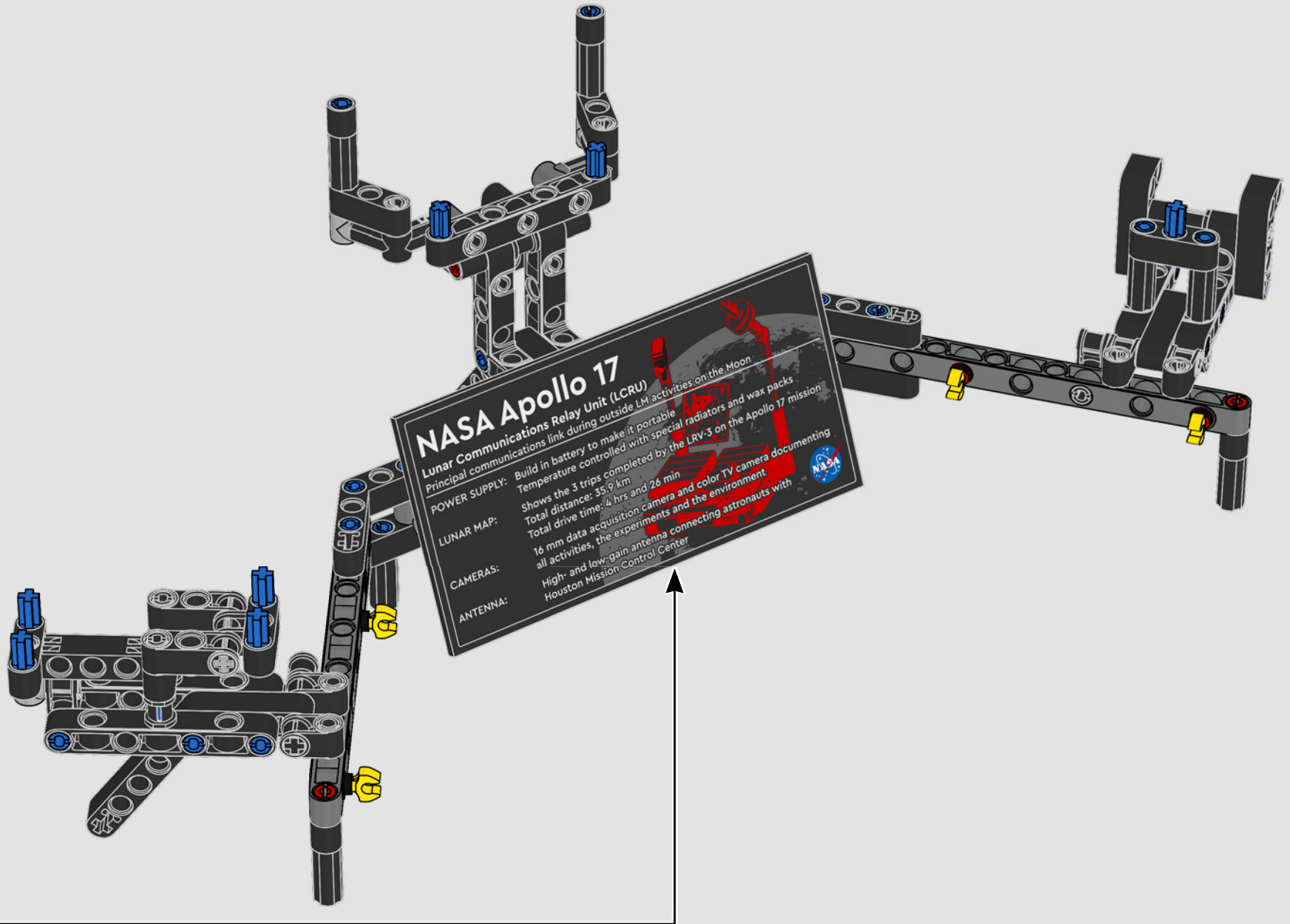
1

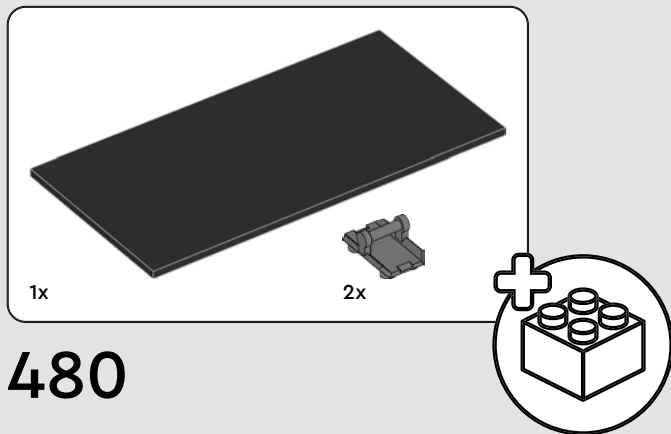


1:1

2

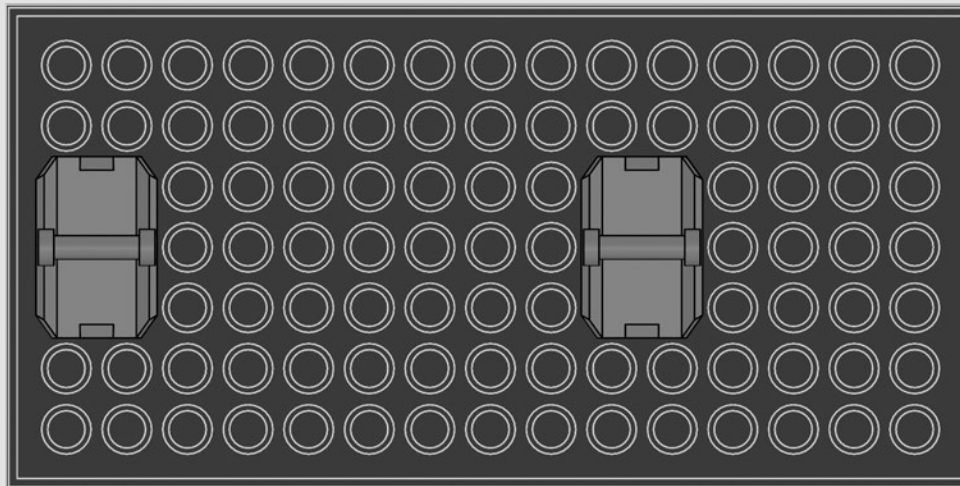






480

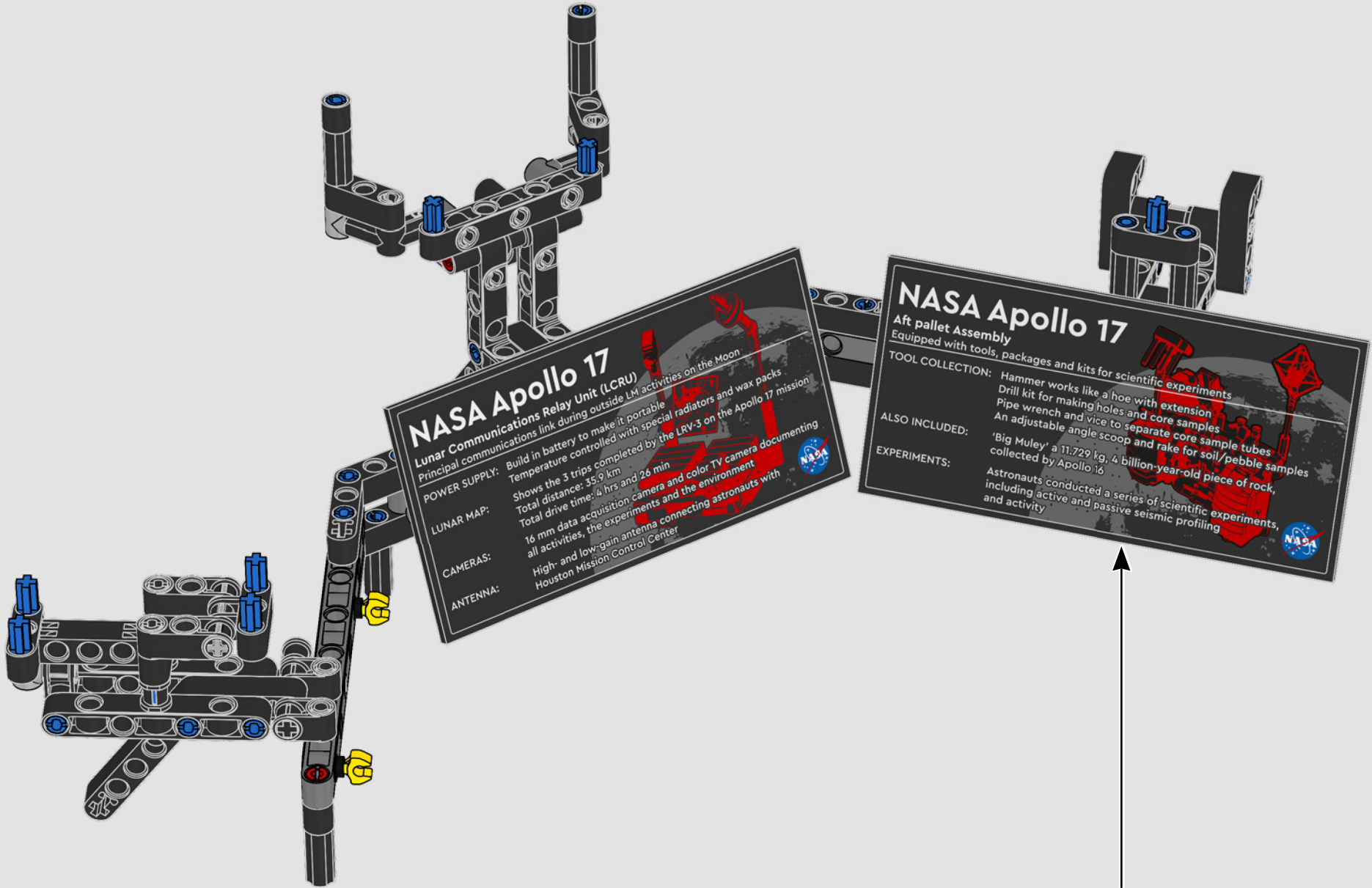
1



1:1

2





NASA Apollo 17

Lunar Communications Relay Unit (LCRU)

Principal communications link during outside LM activities on the Moon

POWER SUPPLY: Build in battery to make it portable
Temperature controlled with special radiators and wax packs

LUNAR MAP: Shows the 3 trips completed by the LRV-3 on the Apollo 17 mission
Total distance: 35.9 km
Total drive time: 4 hrs and 26 min

CAMERAS: 16 mm data acquisition camera and color TV camera documenting all activities, the experiments and the environment

ANTENNA: High- and low-gain antenna connecting astronauts with Houston Mission Control Center

NASA Apollo 17

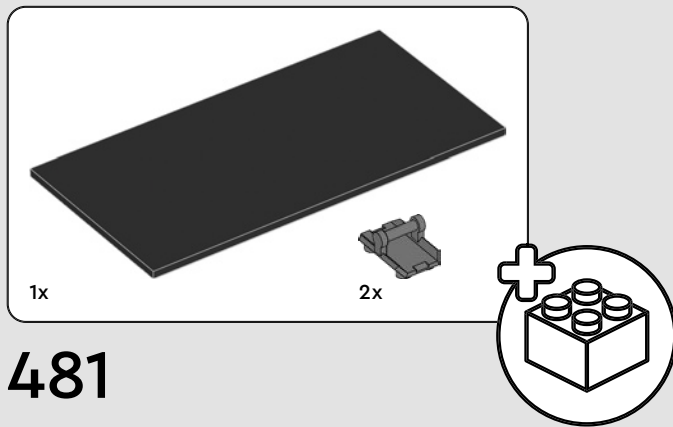
Aft pallet Assembly

Equipped with tools, packages and kits for scientific experiments

TOOL COLLECTION: Hammer works like a hoe with extension
Drill kit for making holes and core samples
Pipe wrench and vice to separate core sample tubes
An adjustable angle scoop and rake for soil/pebble samples

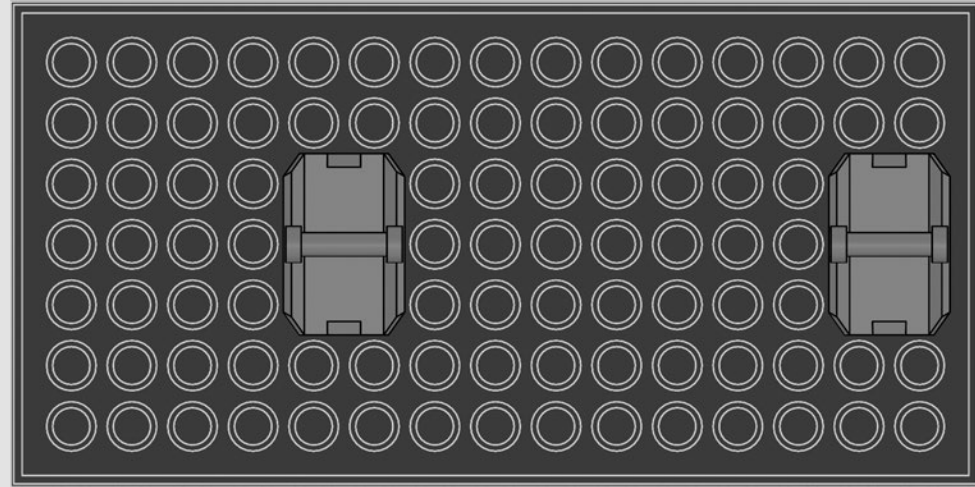
ALSO INCLUDED: 'Big Mule' a 11.729 kg, 4 billion-year-old piece of rock, collected by Apollo 16

EXPERIMENTS: Astronauts conducted a series of scientific experiments, including active and passive seismic profiling and activity



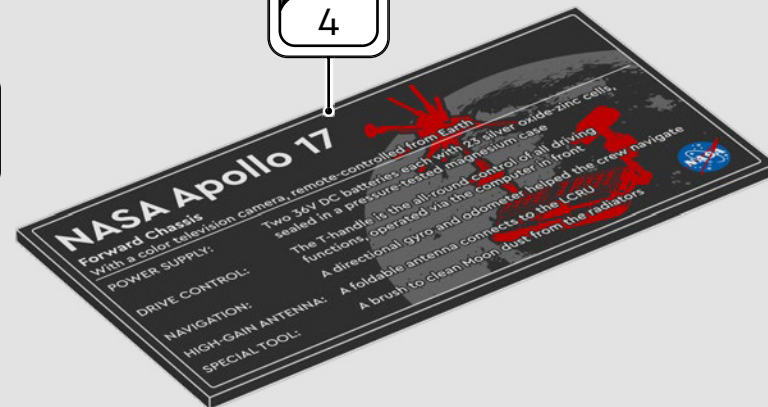
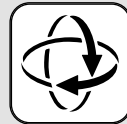
481

1



1:1

2





NASA Apollo 17

Forward Chassis

With a color television camera, remote-controlled from Earth

POWER SUPPLY: Two 36V DC batteries each with 23 silver oxide-zinc cells, sealed in a pressure-tested magnesium case

DRIVE CONTROL: The T-handle is the all-round control of all driving functions, operated via the computer in front

NAVIGATION: A directional gyro and odometer helped the crew navigate

HIGH-GAIN ANTENNA: A foldable antenna connects to the LCRU

SPECIAL TOOL: A brush to clean Moon dust from the radiators

NASA Apollo 17

Lunar Communications Relay Unit (LCRU)

Principal communications link during outside LM activities on the Moon

POWER SUPPLY: Build in battery to make it portable
Temperature controlled with special radiators and wax packs

LUNAR MAP: Shows the 3 trips completed with special radiators and wax packs
Total distance: 35.9 km
Total drive time: 4 hrs and 26 min

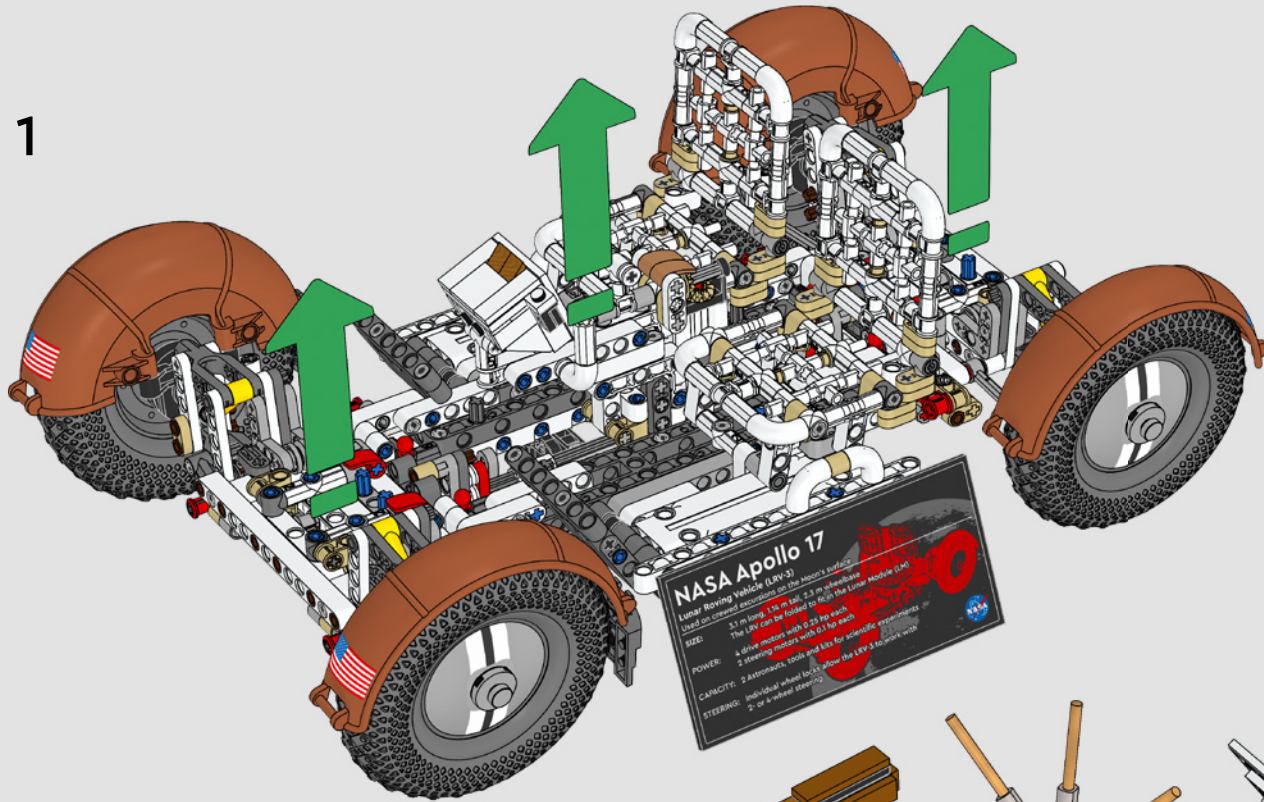
CAMERAS: 16 mm data acquisition camera and color TV camera documenting all activities, the experiments and the environment

ANTENNA: High- and low-gain antenna connecting astronauts with Houston Mission Control Center

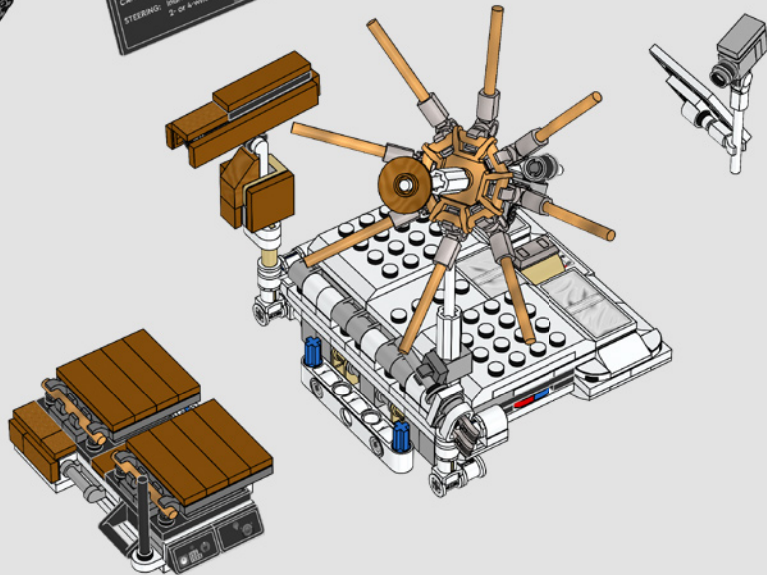
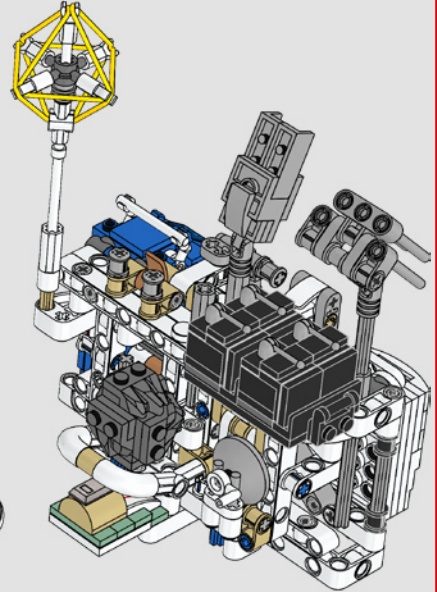
NASA Apollo 17

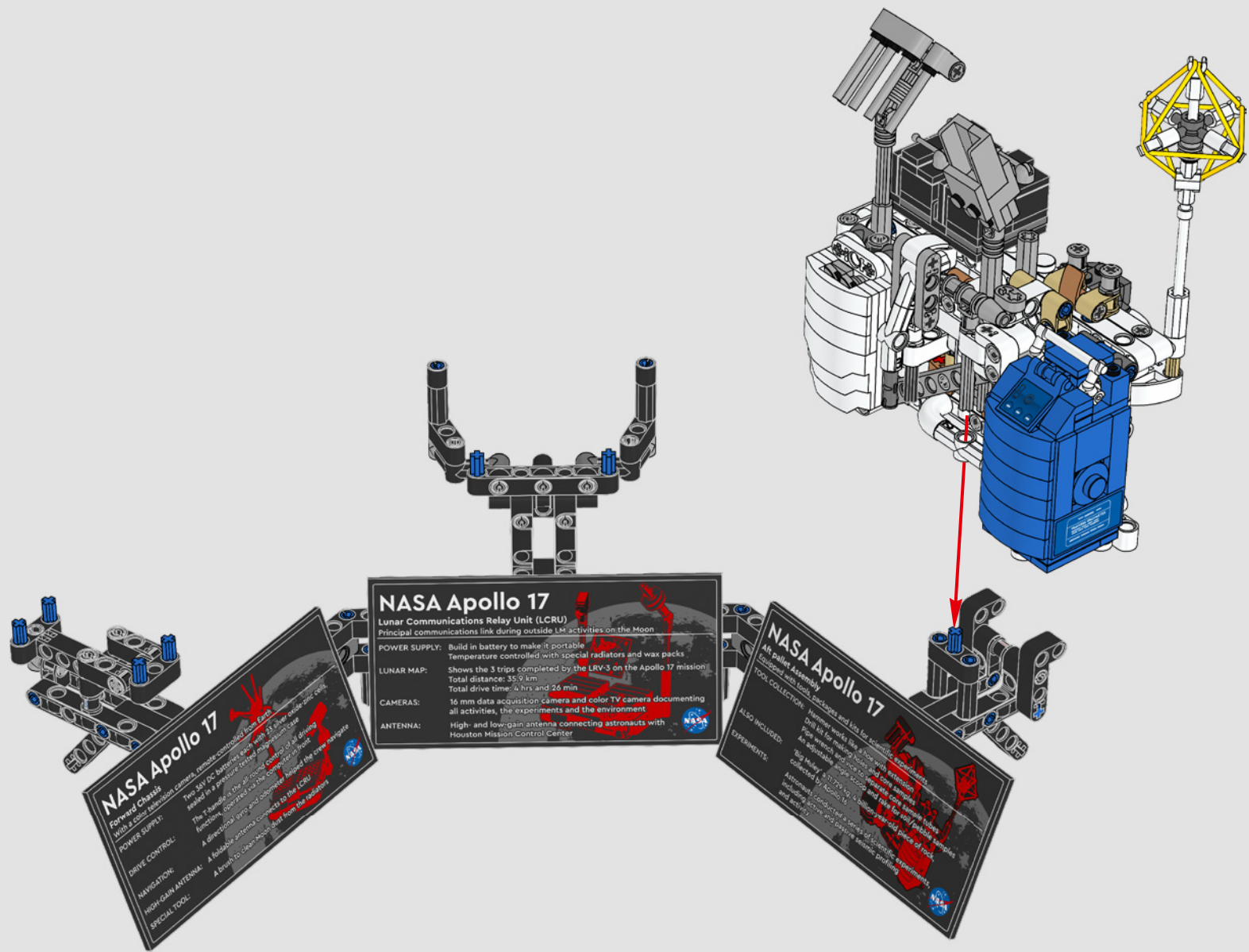
... ..

1



NASA Apollo 17
Lunar Roving Vehicle (LRV-5)
Used on several missions on the Moon's surface.
SIZE: 3.1 m long, 1.14 m wide, 2.3 m wheelbase
The LRV can be loaded to 400 kg.
POWER: 4 drive motors with 0-60 rpm each
3 steering motors with 0-60 rpm each
CAPACITY: 2 Astronauts, tools and bags for scientific experiments
STEERING: Individual wheel locks for the LRV to park with





NASA Apollo 17
Forward Chassis
 Forward chassis with a color television camera, remote controlled from Earth. Two 34V DC batteries, each with 24 three-watt zinc cells, sealed in a pressure vessel, magnesium case. The 1 handle is the off-road control of all driving functions, operated via the computer interface. A directional gyro and compass located the crew's progress. A foldable antenna connected to the LCRU. A built-in clock monitor due from the radiators.

POWER SUPPLY: Build in battery to make it portable. Temperature controlled with special radiators and wax packs.

LUNAR MAP: Shows the 3 trips completed by the LRV-3 on the Apollo 17 mission. Total distance: 35.9 km. Total drive time: 4 hrs and 26 min.

CAMERAS: 16 mm data acquisition camera and color TV camera documenting all activities, the experiments and the environment.

ANTENNA: High- and low-gain antenna connecting astronauts with Houston Mission Control Center.

NASA Apollo 17
Lunar Communications Relay Unit (LCRU)
 Principal communications link during outside LM activities on the Moon.

POWER SUPPLY: Build in battery to make it portable. Temperature controlled with special radiators and wax packs.

LUNAR MAP: Shows the 3 trips completed by the LRV-3 on the Apollo 17 mission. Total distance: 35.9 km. Total drive time: 4 hrs and 26 min.

CAMERAS: 16 mm data acquisition camera and color TV camera documenting all activities, the experiments and the environment.

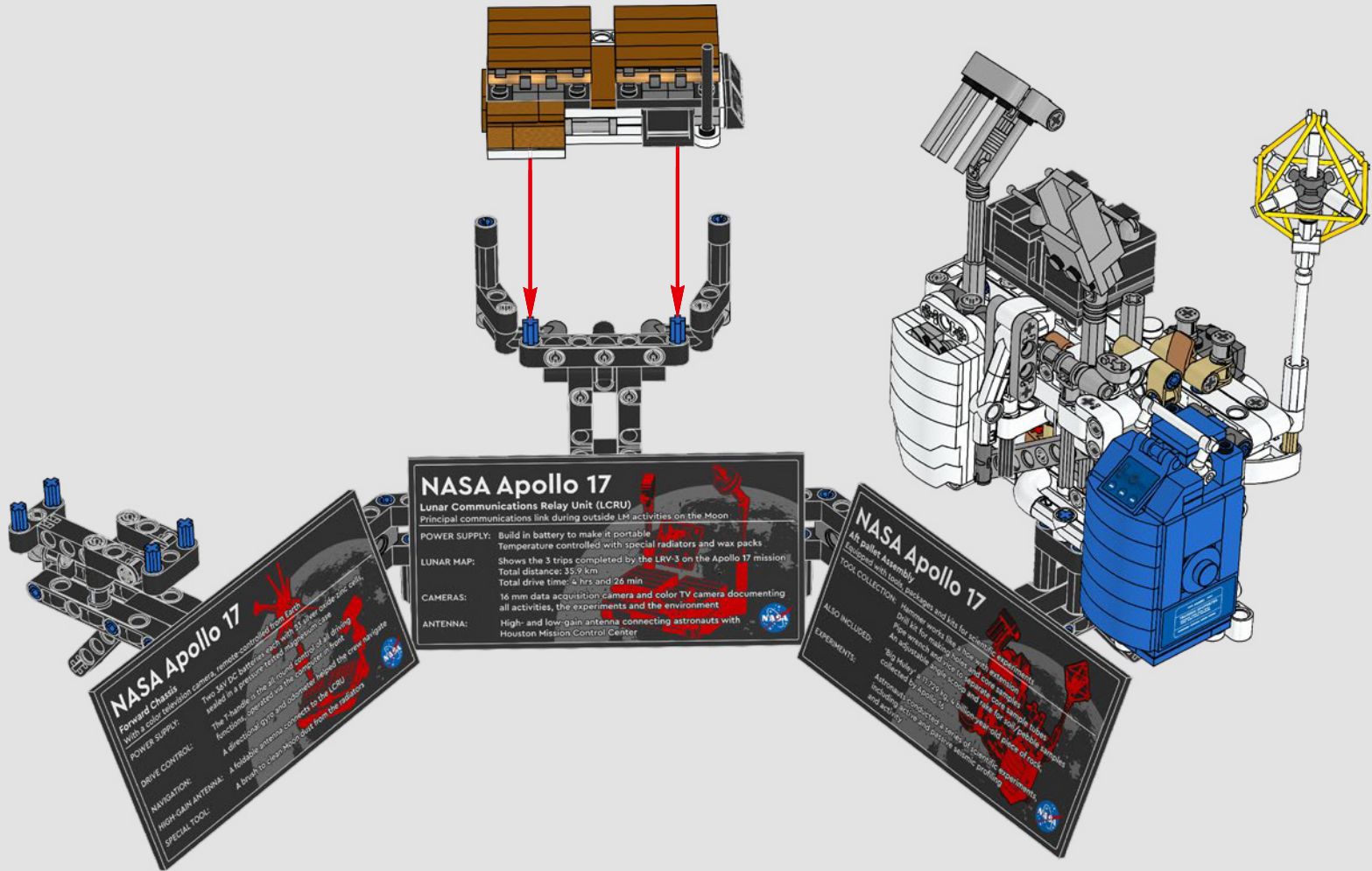
ANTENNA: High- and low-gain antenna connecting astronauts with Houston Mission Control Center.

NASA Apollo 17
Air Pallet Assembly
 Equipped with tools, packages and kits for scientific experiments.

TOOL COLLECTION: Hammer, wrench, screwdriver, pliers, and other tools for scientific experiments. Includes a built-in clock monitor due from the radiators.

ALSO INCLUDED: Hammer, wrench, screwdriver, pliers, and other tools for scientific experiments. Includes a built-in clock monitor due from the radiators.

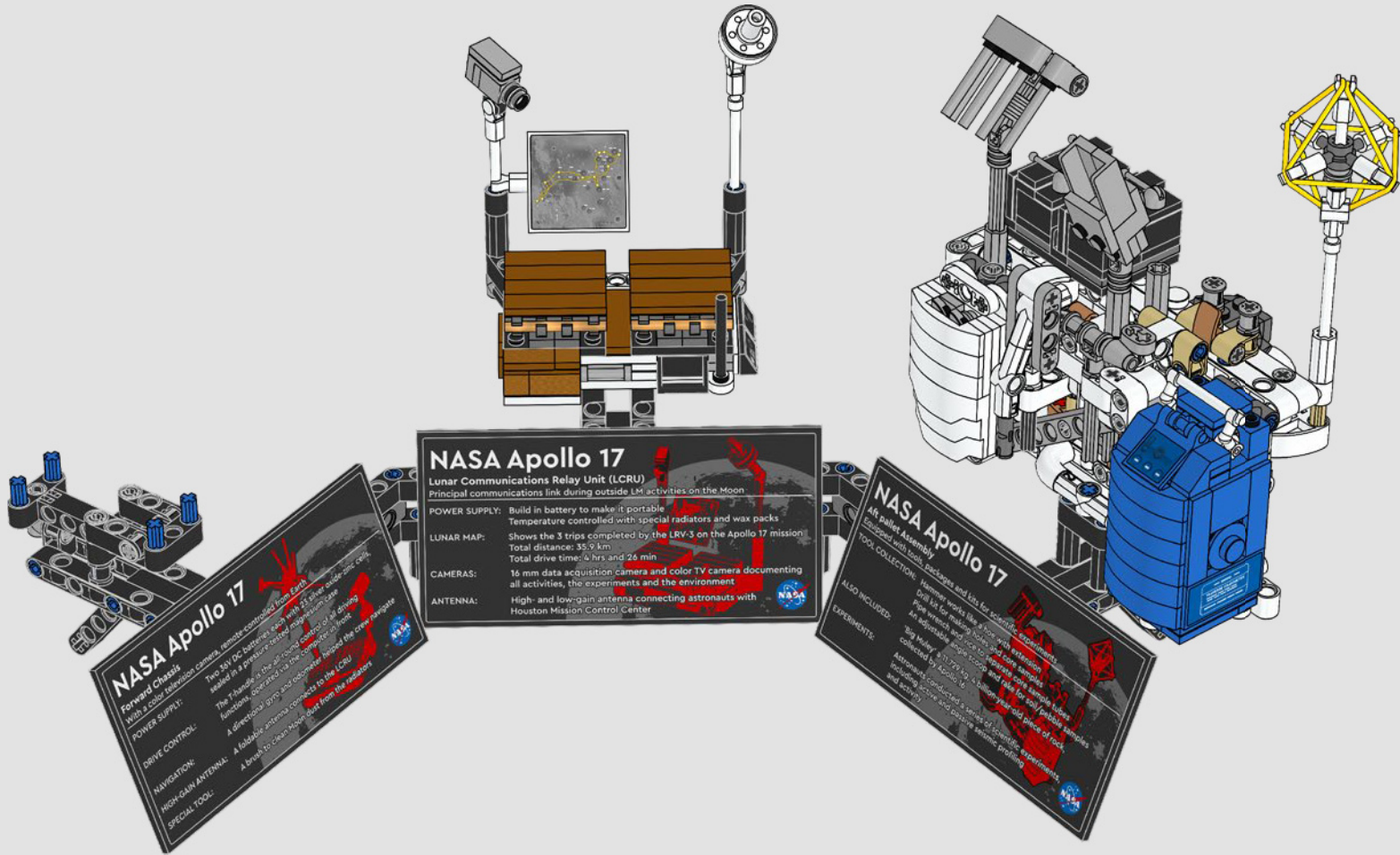
EXPERIMENTS: Includes a built-in clock monitor due from the radiators.



NASA Apollo 17
Forward Chassis
 With a color television camera, remote-controlled from Earth.
POWER SUPPLY: Two 3V/DC batteries each with 35 silver-zinc cells, sealed in a pressure-resistant magnesium case.
DRIVE CONTROL: The Transponder in the airlock, a computer in the lunar module, and a directional gyro.
NAVIGATION: A directional antenna connects to the LCRU.
HIGH-GAIN ANTENNA: A bandwidth 100-megahertz from the radiator.
SPECIAL TOOL:

NASA Apollo 17
Lunar Communications Relay Unit (LCRU)
 Principal communications link during outside LM activities on the Moon.
POWER SUPPLY: Build in battery to make it portable. Temperature controlled with special radiators and wax packs.
LUNAR MAP: Shows the 3 trips completed by the LRV-3 on the Apollo 17 mission. Total distance: 35.9 km. Total drive time: 4 hrs and 26 min.
CAMERAS: 16 mm data acquisition camera and color TV camera documenting all activities, the experiments and the environment.
ANTENNA: High- and low-gain antenna connecting astronauts with Houston Mission Control Center.

NASA Apollo 17
AR Duffet Assembly
 Subassembled with tools.
TOOL COLLECTION: Hammer, wrench, file, a 100-gallon extension drill kit for making holes, all core samples, pipe wrench, wrench, pipe cutter, one sample bag, an adjustable pipe clamp, and a 100-gallon extension drill kit for making holes.
EXPERIMENTS: Astronauts conducted a series of scientific experiments including drive and distance seismic profiling, lunar soil, and a 1-billion-year-old piece of rock.



NASA Apollo 17
Forward Chassis
 Two 3V DC batteries (not with 25 other side-entrance cables in a pressure vessel) and maximum case
 The Phasid in the self-round control of driving
 functions, control on the computer unit, and
 A diagonal antenna connects to the LCRU
 A brush to clean Moon dust from the telescope

NASA Apollo 17
Lunar Communications Relay Unit (LCRU)
 Principal communications link during outside LM activities on the Moon

POWER SUPPLY: Build in battery to make it portable
 Temperature controlled with special radiators and wax packs

LUNAR MAP: Shows the 3 trips completed by the LRV-3 on the Apollo 17 mission
 Total distance: 35.9 km
 Total drive time: 4 hrs and 26 min

CAMERAS: 16 mm data acquisition camera and color TV camera documenting all activities, the experiments and the environment

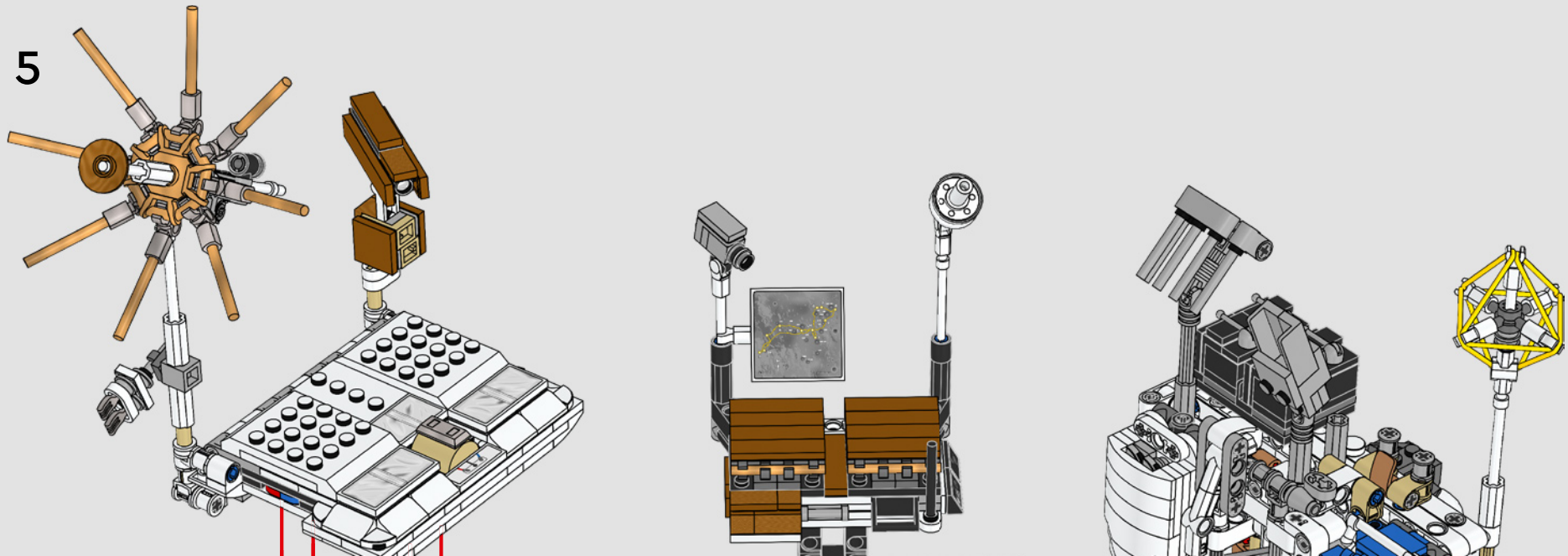
ANTENNA: High- and low-gain antenna connecting astronauts with Houston Mission Control Center

NASA Apollo 17
Alt. pallet Assembly
 Equipped with tools, packages and kits for scientific experiments

TOOL COLLECTION: Hammer works like a hammer with extension
 pin bit for making holes in rock and core samples
 pipe wrench and nut driver
 An adjustable pipe cutter and ratchet for soil, pebble samples
 collected by Apollo 17
 An adjustable pipe cutter and ratchet for soil, pebble samples
 collected by Apollo 17
 An adjustable pipe cutter and ratchet for soil, pebble samples
 collected by Apollo 17

EXPERIMENT: Astronauts conducted a series of scientific experiments
 including active and passive seismic profiling
 and activity

5



NASA Apollo 17

Forward Crosses
This 3-way cross is a camera, remote controlled by the Earth, used to monitor the LM's position and orientation. It is mounted on a 3-way cross and is used to monitor the LM's position and orientation.

POWER SUPPLY: This 3-way cross is a camera, remote controlled by the Earth, used to monitor the LM's position and orientation. It is mounted on a 3-way cross and is used to monitor the LM's position and orientation.

DRIVE CONTROL: This 3-way cross is a camera, remote controlled by the Earth, used to monitor the LM's position and orientation. It is mounted on a 3-way cross and is used to monitor the LM's position and orientation.

NAVIGATION: This 3-way cross is a camera, remote controlled by the Earth, used to monitor the LM's position and orientation. It is mounted on a 3-way cross and is used to monitor the LM's position and orientation.

HIGH-GAIN ANTENNA: This 3-way cross is a camera, remote controlled by the Earth, used to monitor the LM's position and orientation. It is mounted on a 3-way cross and is used to monitor the LM's position and orientation.

SPECIAL TOOL: This 3-way cross is a camera, remote controlled by the Earth, used to monitor the LM's position and orientation. It is mounted on a 3-way cross and is used to monitor the LM's position and orientation.

NASA Apollo 17

Lunar Communications Relay Unit (LCRU)
Principal communications link during outside LM activities on the Moon

POWER SUPPLY: Build in battery to make it portable. Temperature controlled with special radiators and wax packs.

LUNAR MAP: Shows the 3 trips completed by the LRV-3 on the Apollo 17 mission. Total distance: 35.9 km. Total drive time: 6 hrs and 26 min.

CAMERAS: 16 mm data acquisition camera and color TV camera documenting all activities, the experiments and the environment.

ANTENNA: High- and low-gain antennas connecting astronauts with Houston Mission Control Center.

NASA Apollo 17

4x pallet Assembly
Equip with tools, packages and kits for scientific experiments

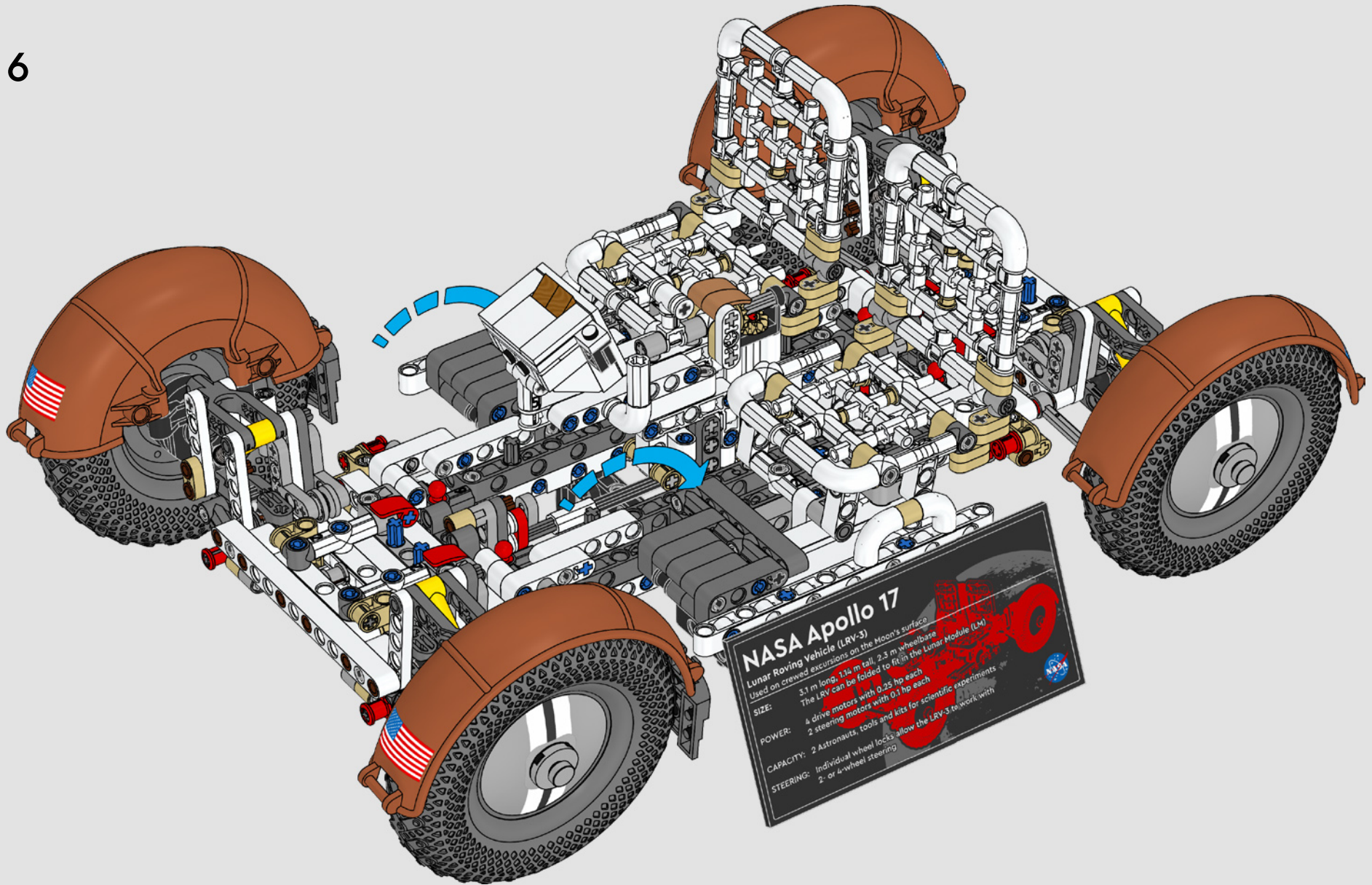
TOOL COLLECTION: Hammer, work file, utility knife, screwdriver, pliers, nut driver, Allen keys, and other tools.

ALSO INCLUDED: Hammer, work file, utility knife, screwdriver, pliers, nut driver, Allen keys, and other tools.

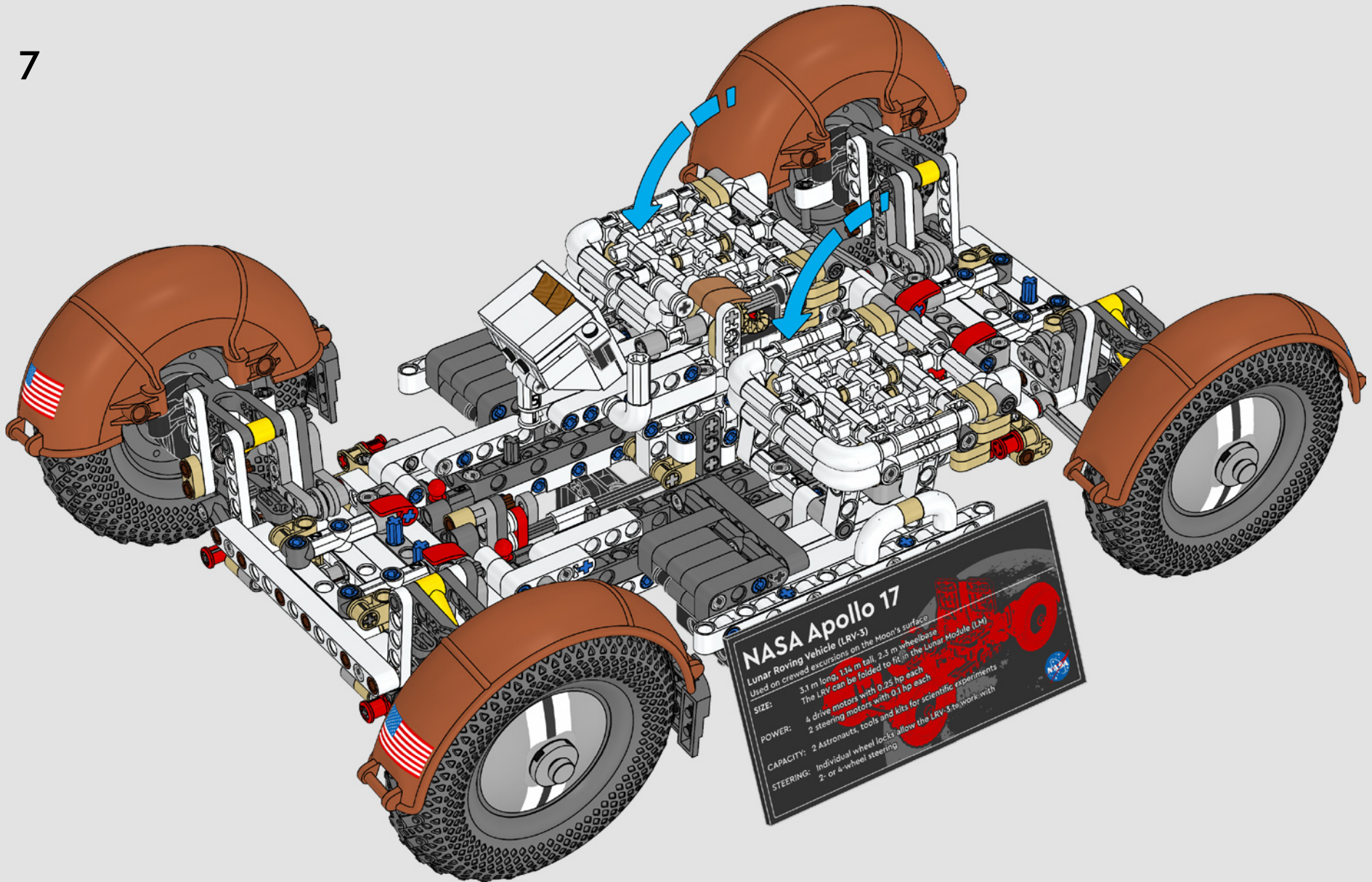
EXPERIMENTS: Hammer, work file, utility knife, screwdriver, pliers, nut driver, Allen keys, and other tools.



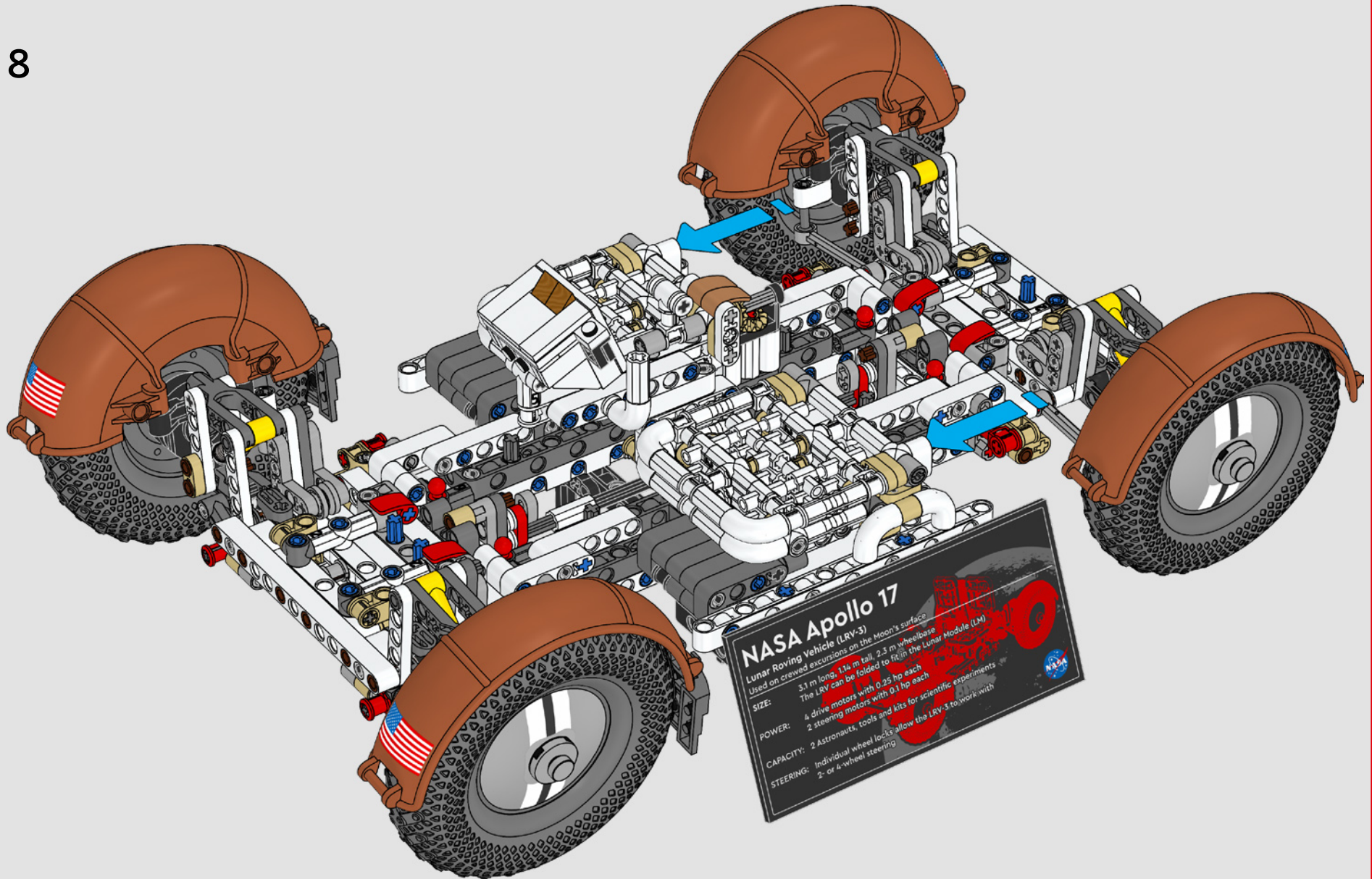
6



7



8



NASA Apollo 17
Lunar Roving Vehicle (LRV-3)
Used on crewed excursions on the Moon's surface

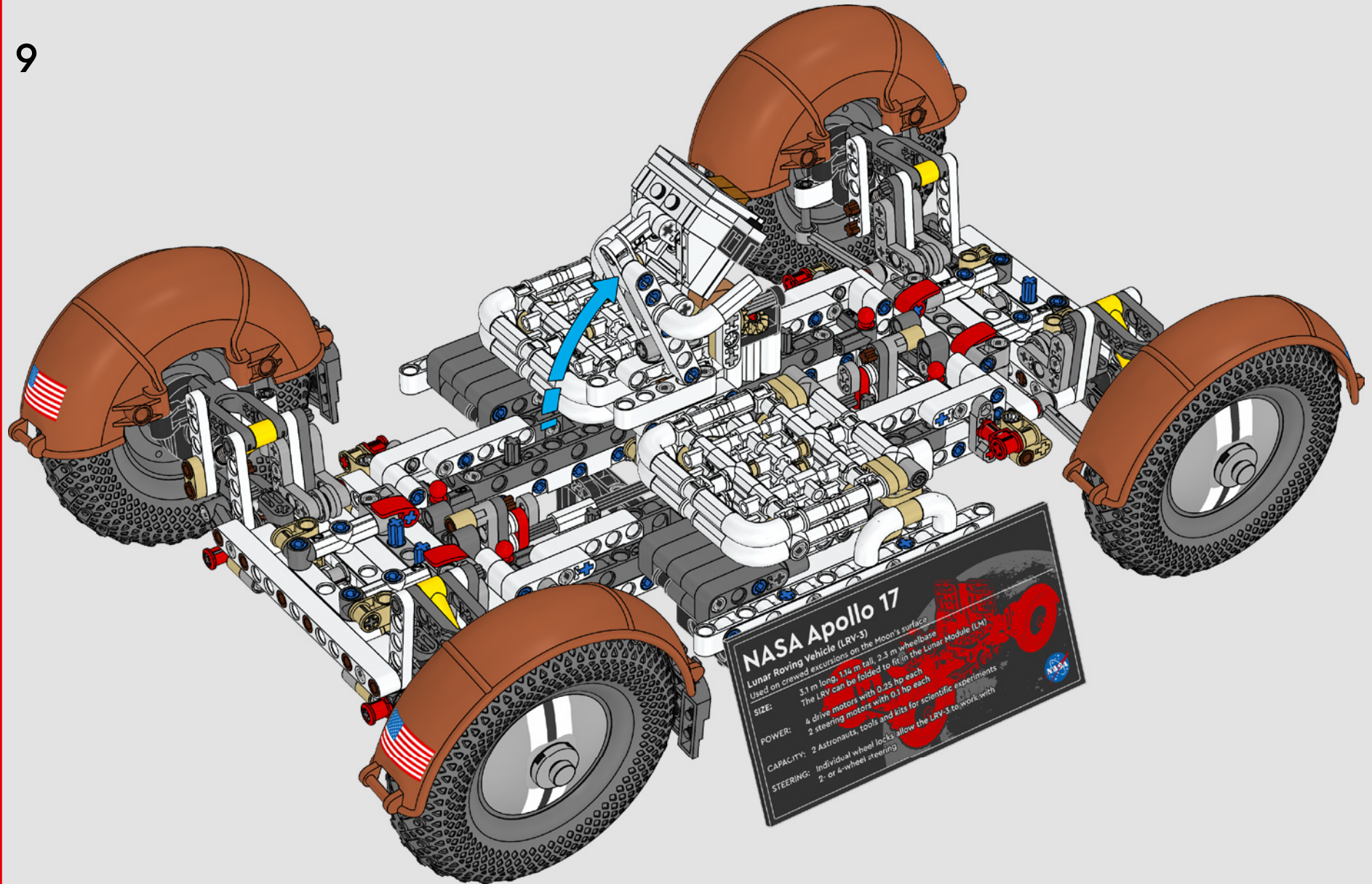
SIZE: 3.1 m long, 1.4 m tall, 2.5 m wheelbase
The LRV can be folded to fit in the Lunar Module (LM)

POWER: 4 drive motors with 0.25 hp each
2 steering motors with 0.1 hp each

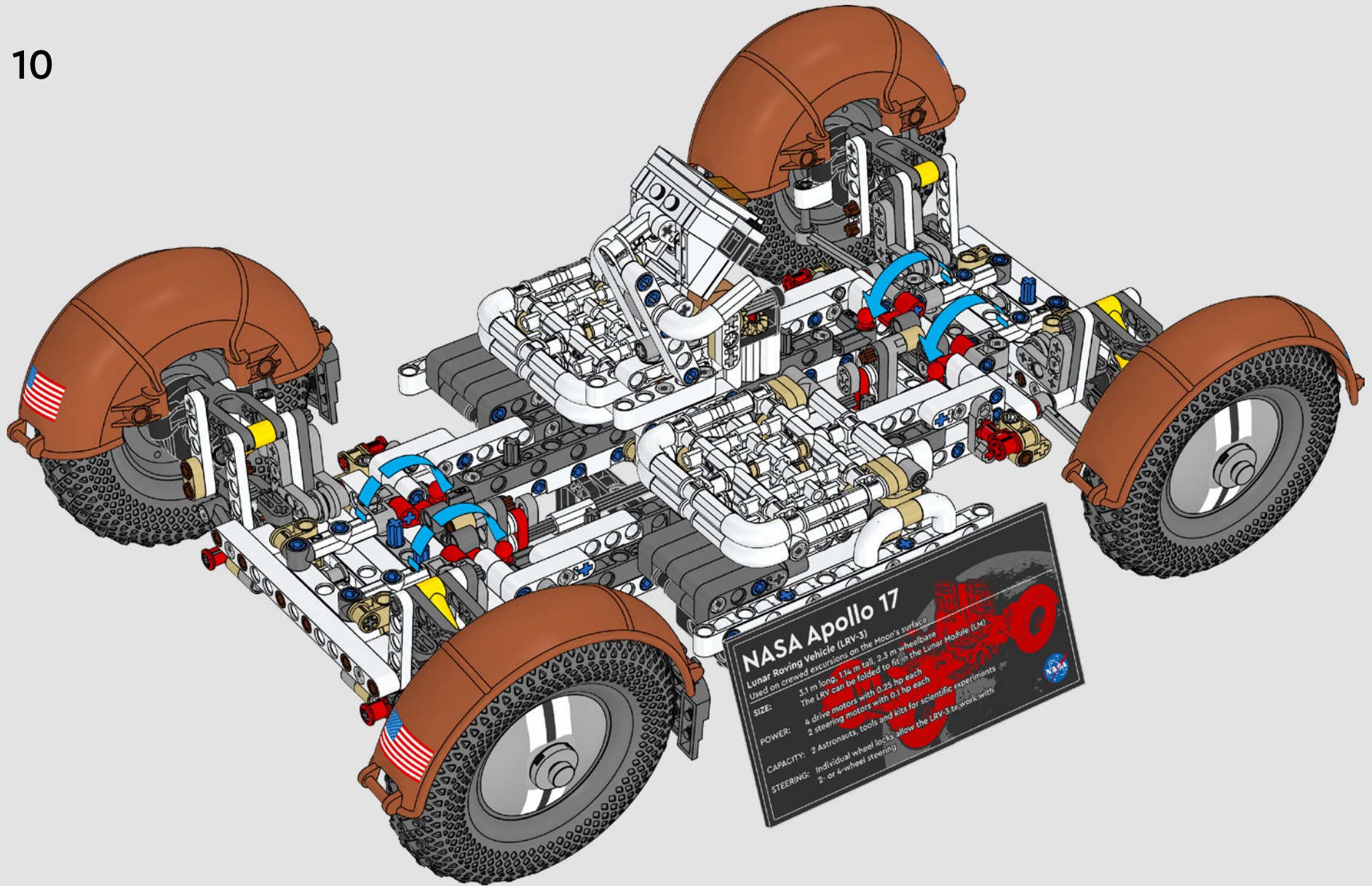
CAPACITY: 2 Astronauts, tools and kits for scientific experiments

STEERING: Individual wheel locks allow the LRV-3 to work with 2- or 4-wheel steering

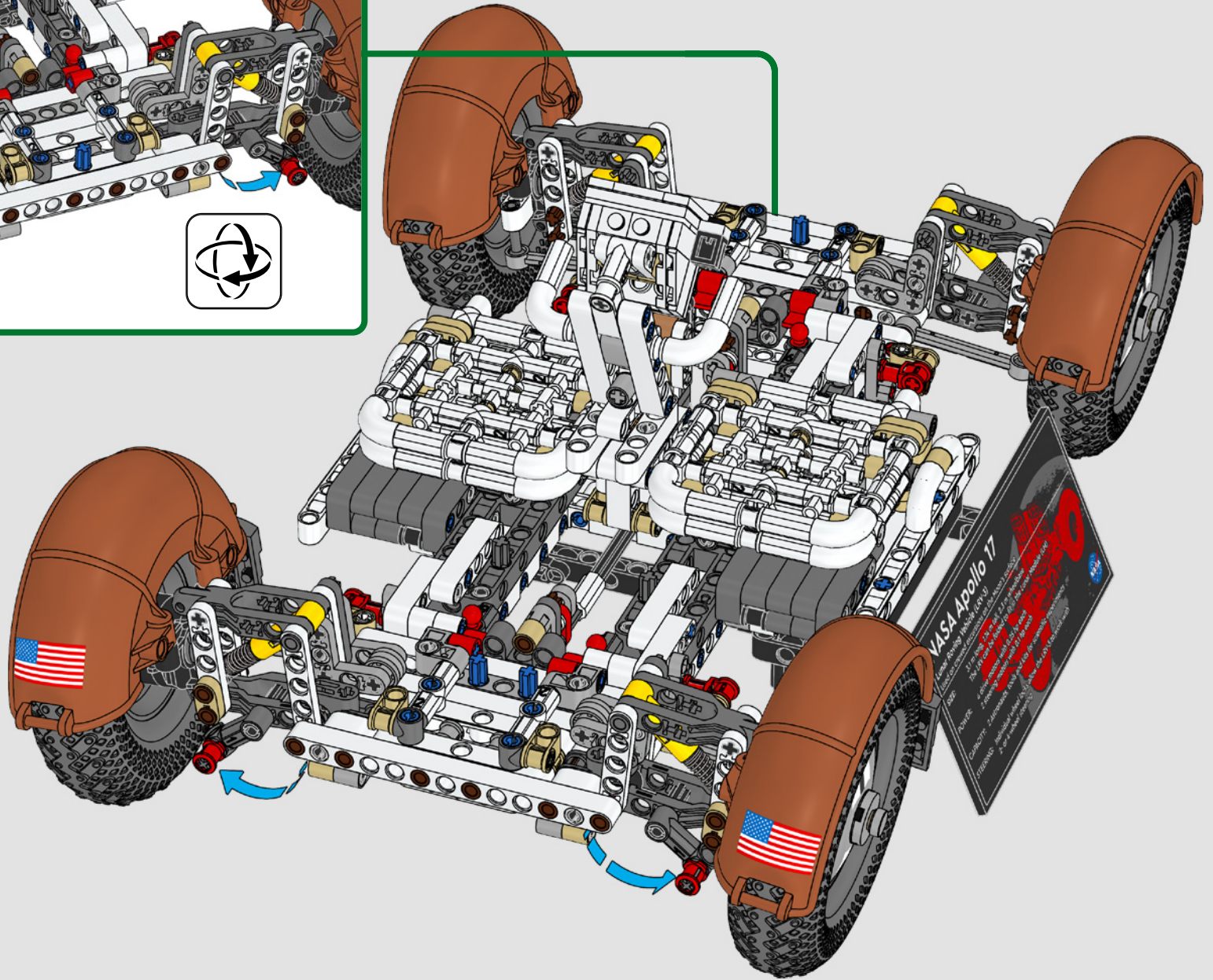
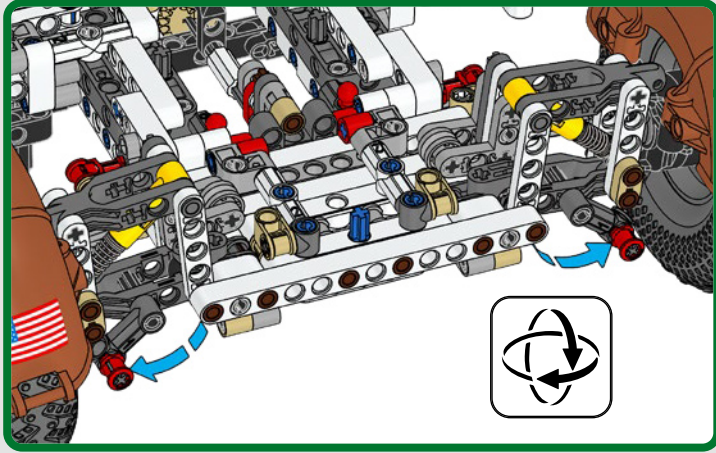




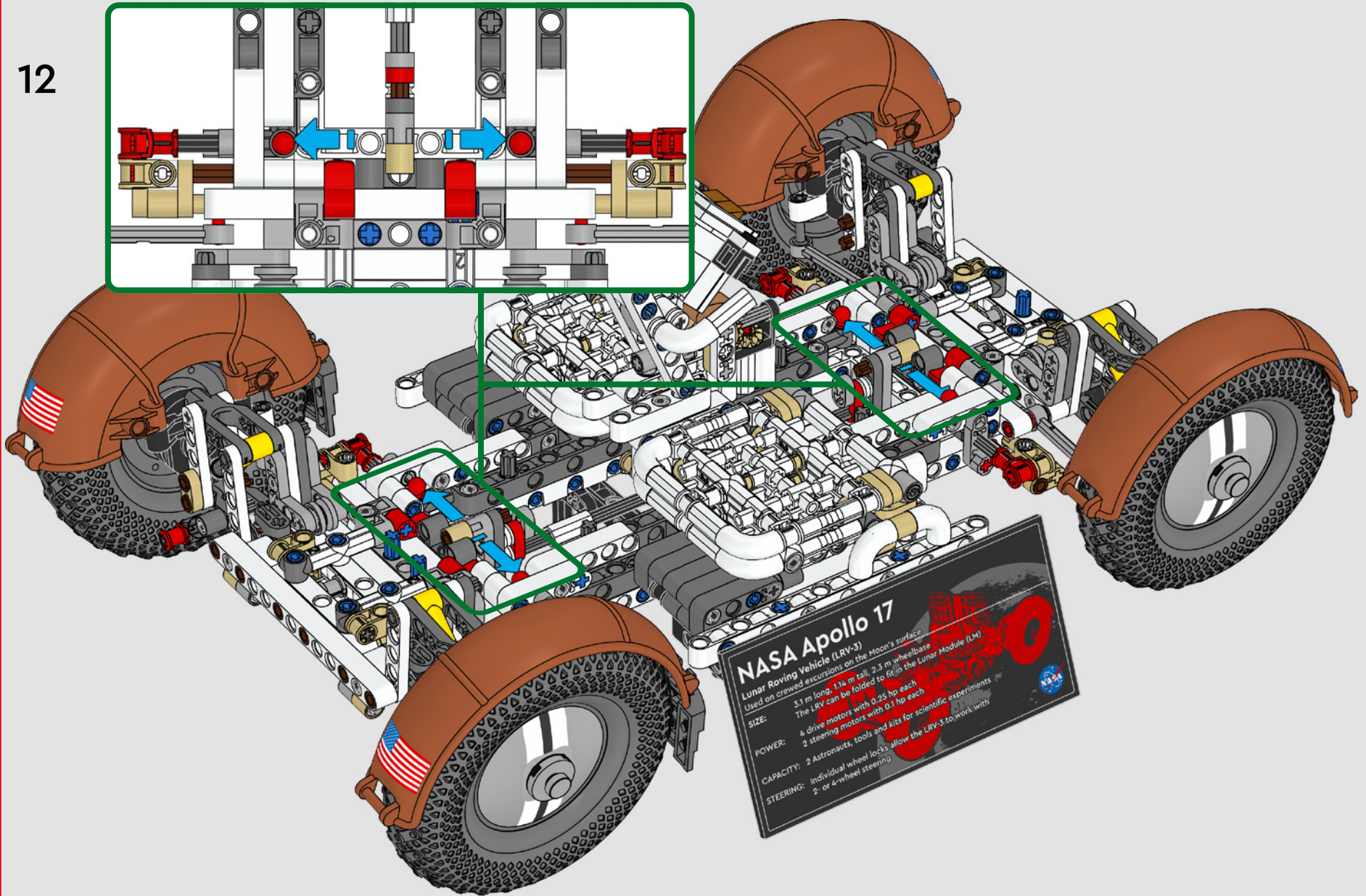
10

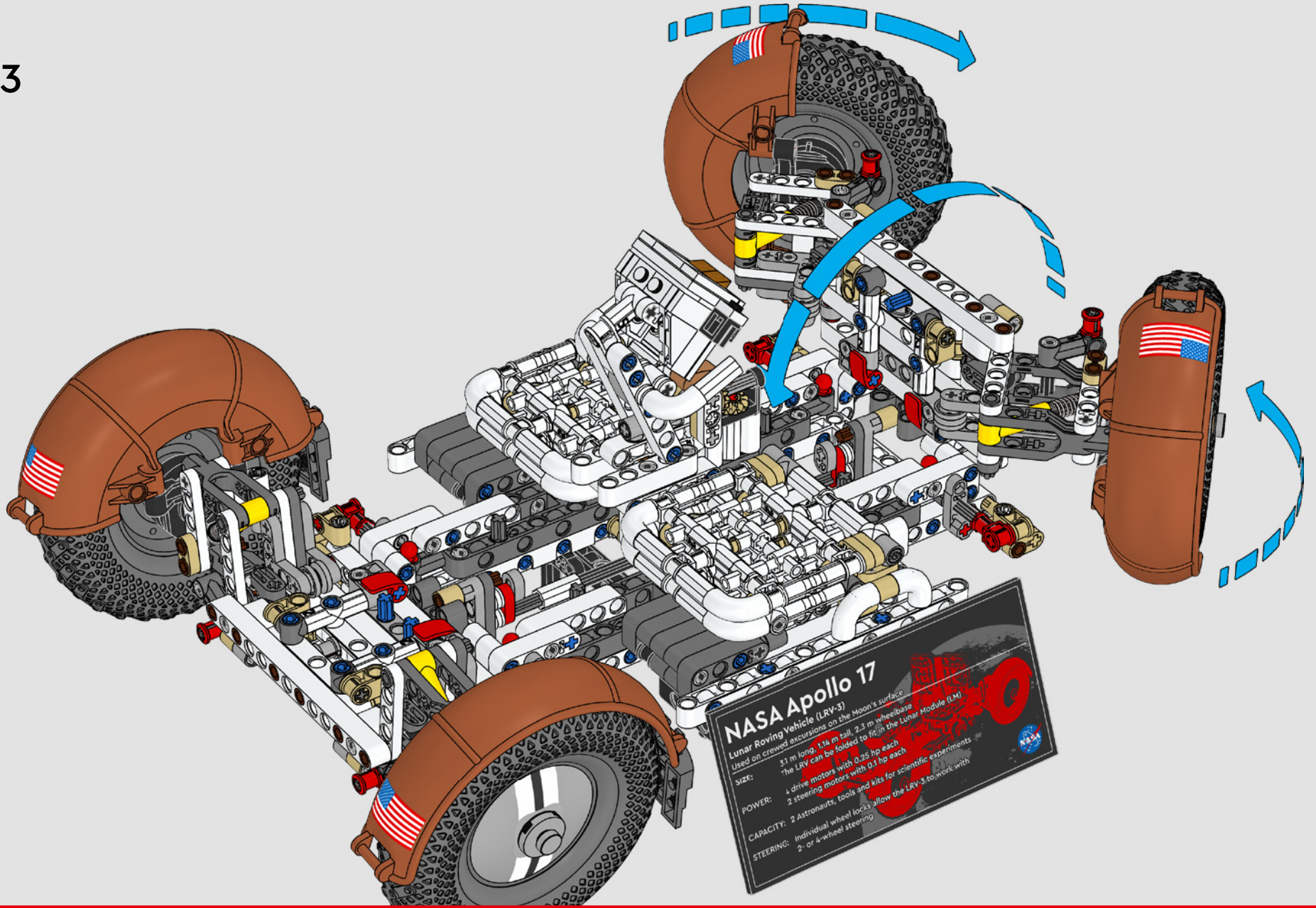


11



12





NASA Apollo 17

Lunar Roving Vehicle (LRV-3)


Used on crewed excursions on the Moon's surface

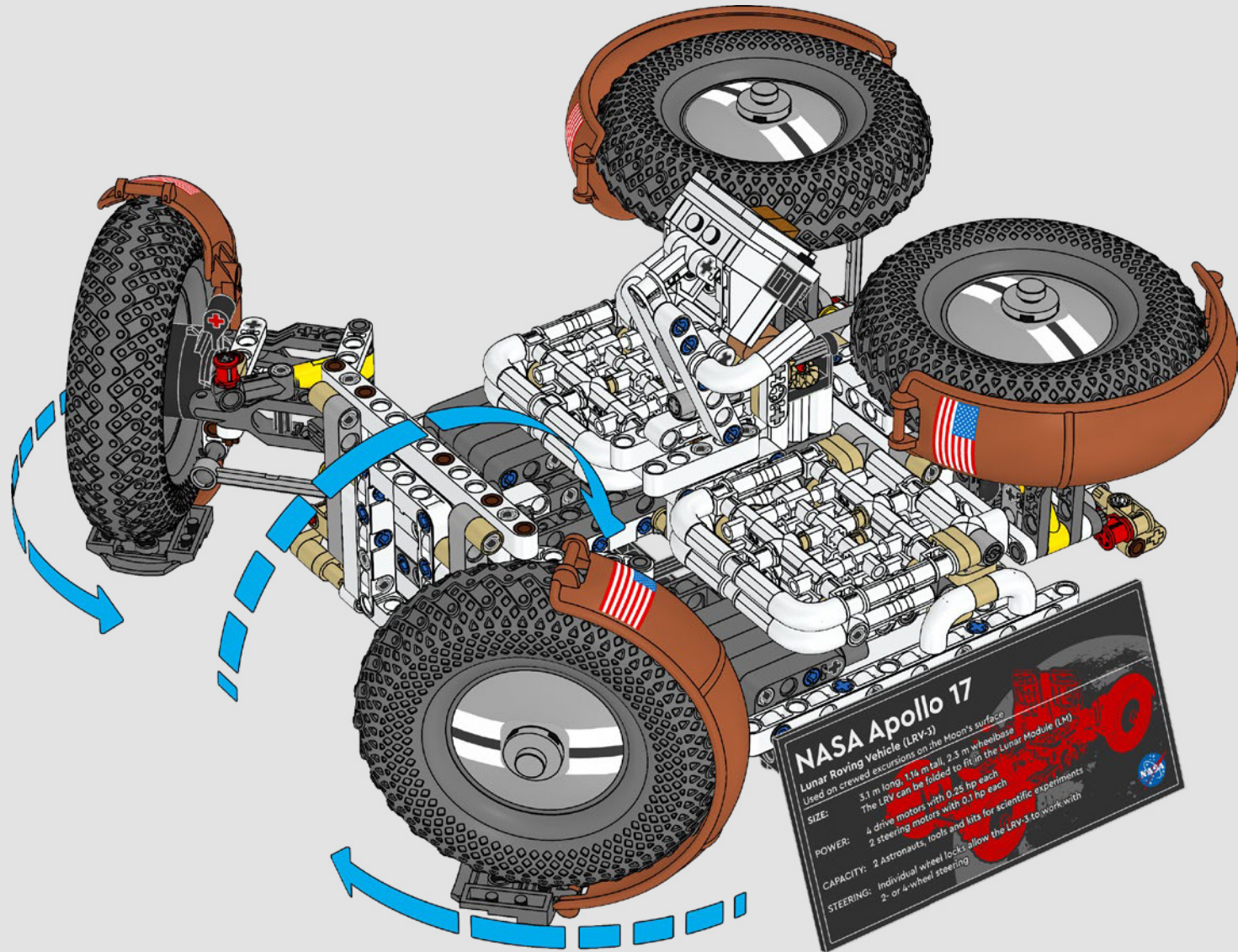
SIZE: 3.1 m long, 1.14 m tall, 2.3 m wheelbase
The LRV can be folded to fit in the Lunar Module (LM)

POWER: 4 drive motors with 0.25 hp each
2 steering motors with 0.1 hp each

CAPACITY: 2 Astronauts, tools and kits for scientific experiments

STEERING: Individual wheel locks allow the LRV-3 to work with 2- or 4-wheel steering





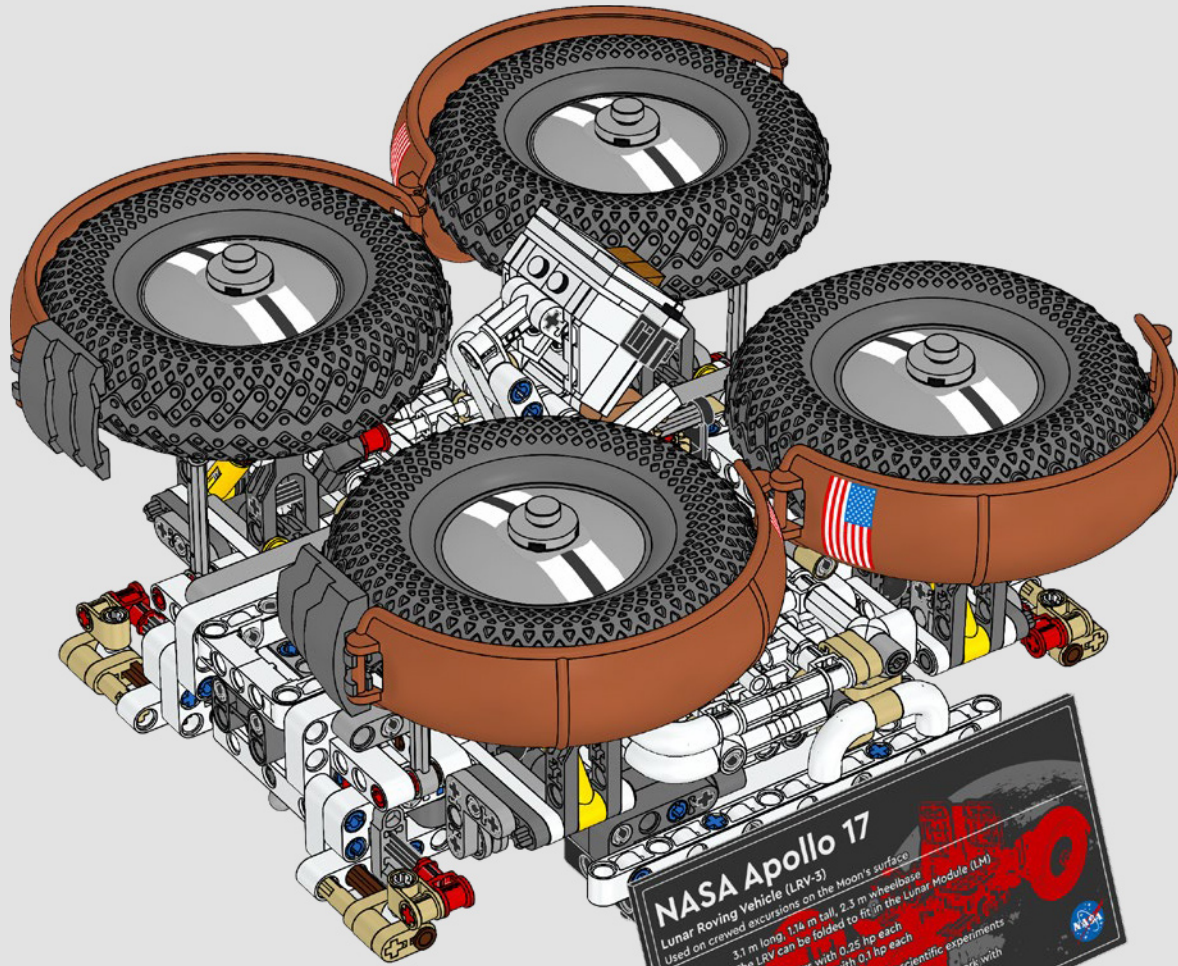
NASA Apollo 17
Lunar Roving Vehicle (LRV-3)
 Used on crewed excursions on the Moon's surface

SIZE: 3.1 m long, 1.14 m tall, 2.3 m wheelbase
 The LRV can be folded to fit in the Lunar Module (LM)

POWER: 4 drive motors with 0.25 hp each
 2 steering motors with 0.1 hp each

CAPACITY: 2 Astronauts, tools and kits for scientific experiments

STEERING: Individual wheel locks allow the LRV-3 to work with
 2- or 4-wheel steering



NASA Apollo 17

Lunar Roving Vehicle (LRV-3)
Used on crewed excursions on the Moon's surface

SIZE:

3.1 m long, 1.14 m tall, 2.3 m wheelbase
The LRV can be folded to fit in the Lunar Module (LM)

POWER:

4 drive motors with 0.25 hp each
2 steering motors with 0.1 hp each

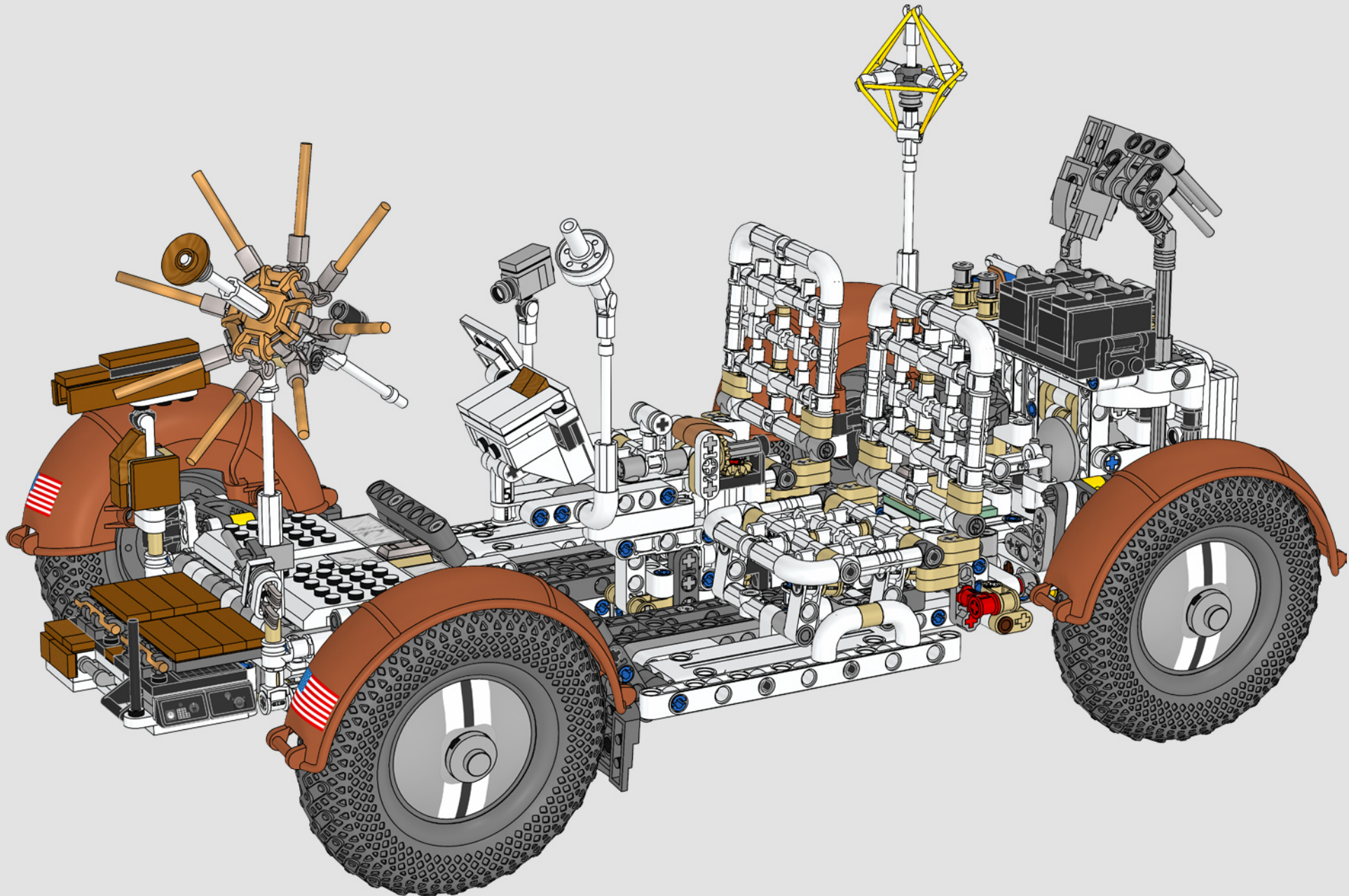
CAPACITY:

2 Astronauts, tools and kits for scientific experiments

STEERING:

Individual wheel locks allow the LRV-3 to work with
2- or 4-wheel steering





1x 6234807
7x 6341465
2x 6322489
19x 6360263
7x 6284572
2x 6186681
4x 6172366
2x 6383985
6x 407001
2x 6296132
1x 6508268
3x 4111971
2x 6357680
1x 6434569
5x 6371416
1x 6210272
2x 6457115

6x 4547489
18x 6194851
9x 6282148
29x 6310183
3x 6179606
18x 6265135
2x 6345327
23x 6375684
2x 6292916
24x 6212049
1x 6346389
2x 6173116
2x 306901
9x 6057414
6x 302301
2x 6326680

4x 6172927
1x 6051511
1x 300401
1x 6013484
2x 6271349
2x 6217875
2x 6450820
9x 6360038
36x 6428803
16x 6330960
7x 6257450
1x 300301
1x 306801
1x 6061024
8x 242001
1x 6047220

4x 6210385
1x 6289797
1x 4515364
3x 6261390
8x 6276052
5x 6402262
4x 6402213
17x 6271870
3x 4208160
4x 362301
7x 4558168
2x 245001
5x 6223491
2x 6089696
1x 6158058

2x 6168618
4x 6116602
3x 302101
1x 6156667
8x 6271824
3x 6023806
1x 6249091
5x 6104805
16x 6360069
2x 302001
5x 4560178
6x 6440438
14x 4585040
2x 4249021

7x 6439225
7x 6350399
1x 6421592
2x 6132741
4x 6170419
4x 366601
3x 4243812
2x 6400128
7x 6471586
2x 4495927
2x 6184866
1x 4163986

4x 6001831
4x 6016156
2x 4503008
2x 6055627
10x 4620671
2x 6247435
5x 6432401
1x 379523
2x 303223

2x 6284575
9x 6268862
1x 4651236
4x 4206482
75x 4206482
2x 6194417
1x 6282145
8x 6390153
1x 6092582
2x 6228601
4x 6378789
1x 6365486
2x 4140586
1x 6336378
97x 6299413
3x 306823
2x 6252060
2x 4587840

- | | | | | | | | |
|----------------|-----------------|---------------|----------------|---------------|----------------|----------------|----------------|
| 2x
6292291 | 2x
4548180 | 1x
6116604 | 4x
6313520 | 1x
6020193 | 10x
6147169 | 5x
6264167 | 36x
6261379 |
| 6x
4649773 | 148x
6279875 | 8x
370526 | 1x
4225201 | 2x
243126 | 1x
6388645 | 3x
6078236 | 1x
6031962 |
| 4x
243123 | 46x
4109810 | 2x
6271825 | 2x
6273708 | 2x
617926 | 4x
6031821 | 1x
6404402 | 2x
6174929 |
| 1x
371023 | 1x
6282140 | 2x
6092570 | 2x
6273708 | 4x
6378480 | 9x
6450558 | 4x
6265247 | 8x
4666999 |
| 1x
370123 | 2x
6265091 | 2x
6092570 | 4x
300326 | 3x
6435016 | 1x
4616578 | 2x
6347439 | 2x
6274738 |
| 2x
4560180 | 14x
4512363 | 5x
6254045 | 4x
302226 | 7x
6279881 | 8x
6335230 | 2x
6189071 | 2x
6240030 |
| 1x
4243815 | 1x
302326 | 1x
6278412 | 4x
302226 | 1x
6029578 | 4x
6168644 | 10x
6332155 | 9x
4211399 |
| 4x
4286267 | 4x
306926 | 1x
6328175 | 4x
306826 | 1x
370826 | 8x
6439051 | 2x
6332144 | 7x
6336539 |
| 1x
6088550 | 4x
6092585 | 4x
6439175 | 18x
6089119 | 1x
6029578 | 2x
4544151 | 2x
6051507 | 1x
4558953 |
| 2x
6168646 | 1x
243226 | 2x
366626 | 16x
6321745 | 2x
6265643 | 1x
6130012 | 2x
6082975 | 3x
6362975 |
| 2x
6439039 | 1x
4618852 | 4x
6117973 | 1x
4552347 | 2x
6265643 | 1x
6206248 | 15x
6167923 | 1x
6070564 |
| 10x
6121485 | 4x
6390379 | 1x
6390379 | 1x
4552347 | 2x
6265643 | 2x
6361354 | 3x
4565452 | 2x
6347715 |
| 1x
307026 | 2x
6271346 | 4x
6459445 | 3x
4142822 | 4x
6484420 | 8x
6338570 | 2x
6374151 | 2x
6347715 |
| 1x
6234695 | 1x
4560182 | 2x
6469830 | 1x
6362991 | 4x
6484420 | 2x
6208446 | 2x
6357613 | 4x
6267587 |
| 13x
6261371 | 4x
6408182 | 2x
6469830 | 1x
6362991 | 4x
6484420 | 2x
6191668 | 9x
6013938 | 13x
6168647 |
| | | | | | | 4x
6376461 | 6x
6284071 |

- 2x 4529241
- 2x 6250597
- 3x 6448793
- 3x 6275844
- 2x 4211415
- 2x 6176433
- 4x 4211758
- 2x 6443149
- 1x 6265704
- 2x 6348143
- 2x 6261375
- 9x 4211880
- 2x 6271539
- 5x 6179186
- 2x 6282142
- 9x 6123815
- 1x 6265089
- 5x 4512360
- 1x 6380605
- 3x 6173127
- 1x 6266251
- 4x 4211398
- 1x 6144138

- 1x 4211414
- 3x 4211609
- 1x 4667578
- 4x 6331859
- 1x 4244627
- 8x 6271815
- 1x 6093527
- 1x 6212077
- 2x 6132886
- 37x 4211815
- 4x 6321747
- 2x 4211536
- 4x 6276969
- 1x 6331441

3

- 6x 6438836
- 2x 6210581
- 2x 6370947
- 5x 6116608
- 1x 6347992
- 2x 6331574
- 1x 4211445
- 6x 4211639
- 4x 6452875
- 4x 6463327
- 3x 4211805
- 6x 4495930
- 5x 4611705

5

7

7

11

- 9x 6258973
- 4x 6271820
- 27x 6378120
- 2x 6345637
- 8x 6360104
- 4x 6378122
- 2x 6371442
- 26x 4142865
- 4x 403221
- 4x 6344178
- 20x 6209519
- 1x 6130002
- 18x 6135494
- 12x 6159763
- 1x 6347790
- 1x 6240515

6

3

5

- 4x 6360824
- 12x 6327561
- 11x 6083620
- 2x 6350292
- 6x 6168609
- 6x 6296856
- 1x 6012451
- 8x 6395635
- 5x 6344022
- 4x 6365695
- 19x 6005331
- 4x 6282144
- 4x 6268923
- 6x 4211063
- 2x 6314192

4

7

- 2x 6301368
- 4x 4508553
- 8x 6278260
- 2x 6310189
- 4x 6271830
- 3x 4495931
- 2x 6316692
- 1x 4211055
- 10x 6015356
- 8x 6258991
- 2x 6271876
- 6x 4210751
- 2x 6475314

5,5

- 2x 6307616
- 4x 6483729
- 4x 6452865
- 3x 6396963
- 2x 6396964
- 2x 6396922
- 2x 6463326
- 2x 6504968

15



LEGO.com/service



YOU COULD WIN



YOU COULD WIN

Your feedback will help shape the future development of this product series.

Visit:

DU KÖNNTEST GEWINNEN

Dein Feedback trägt zur Weiterentwicklung dieser Produktreihe bei.

Geh auf:

VOUS POURRIEZ GAGNER

Vos commentaires nous aideront à concevoir les futurs produits de cette gamme.

Visitez :

POTRESTI VINCERE TU

La tua opinione ci aiuterà a migliorare la creazione futura di questa linea di prodotti.

Visita:

PUEDES GANAR

Tu opinión contribuirá al futuro de esta serie de productos.

Visita:

轻松获奖

您的反馈将有助于我们在今后改进本产品系列。

请访问:

[LEGO.com/productfeedback](https://www.lego.com/productfeedback)

You also have the chance to win a LEGO® set.

Terms and conditions apply.*

Außerdem hast du die Chance, ein LEGO® Set zu gewinnen.

Es gelten die Teilnahmebedingungen.*

Vous pourriez également gagner un ensemble LEGO®.

Des conditions s'appliquent.*

Hai anche la possibilità di vincere un set LEGO®.

Termini e condizioni sono applicabili.*

También tienes la oportunidad de ganar un set LEGO®.

Aplican términos y condiciones.*

您还有机会赢取乐高®套装。

条款和条件适用。*

*[LEGO.com/productfeedback-terms](https://www.lego.com/productfeedback-terms)



LEGO and the LEGO logo are trademarks of the LEGO Group. ©2024 The LEGO Group.

NASA Insignia and identifiers provided and used with permission of NASA.