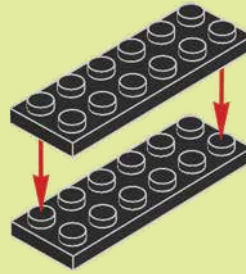


BUILD YOUR SAILING BOAT RACER!

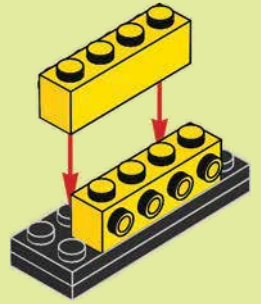
It's a sailing boat! It's a race car! It's a sailing boat AND a race car! You can build this model using pieces from **10715 Bricks on a Roll**, or use elements from your own LEGO® collection. Then race it up a ramp for more action. Tips on building a ramp are below.



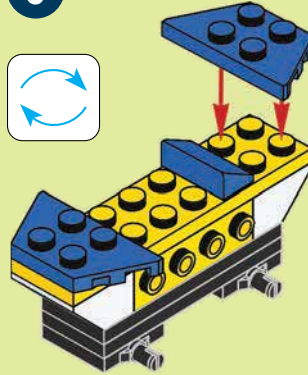
1



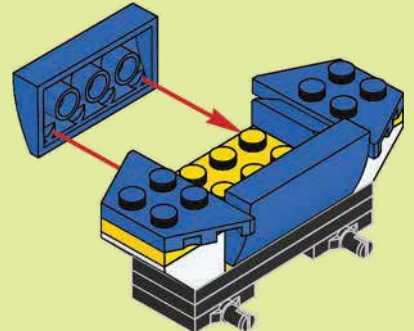
2



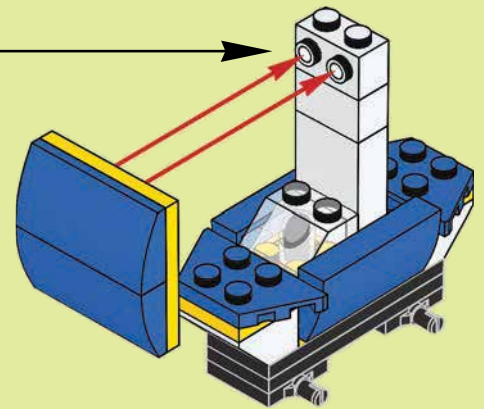
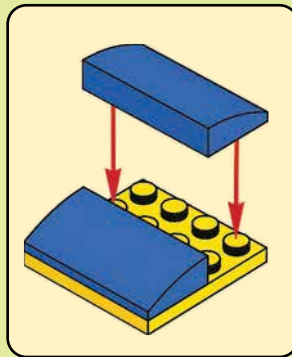
6



7

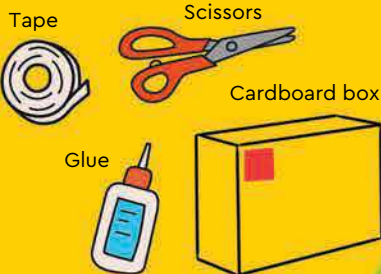


10



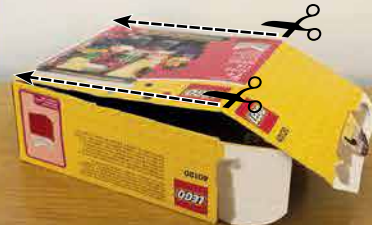
BUILD A CARDBOARD RAMP!

Here's how you can turn a LEGO® box into a cool ramp. Ask a grown-up to help you with this fun activity!



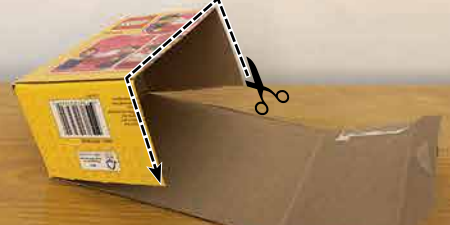
A

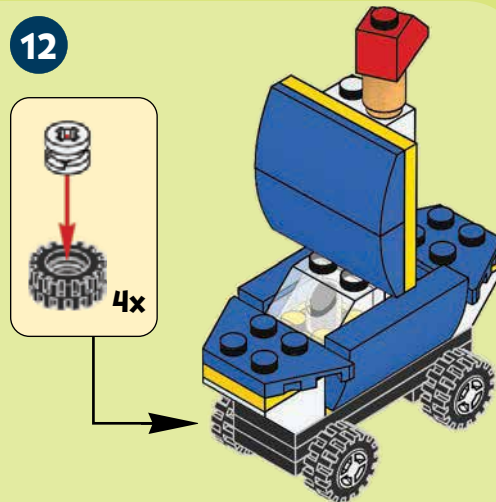
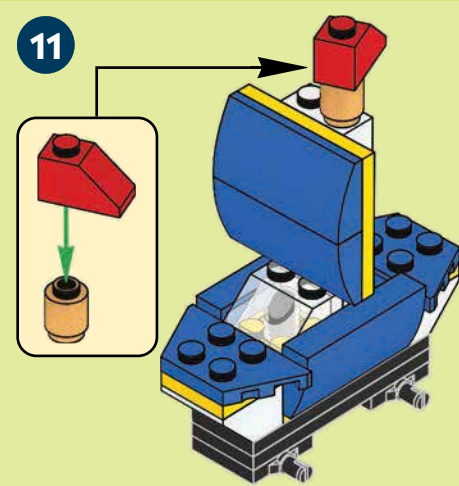
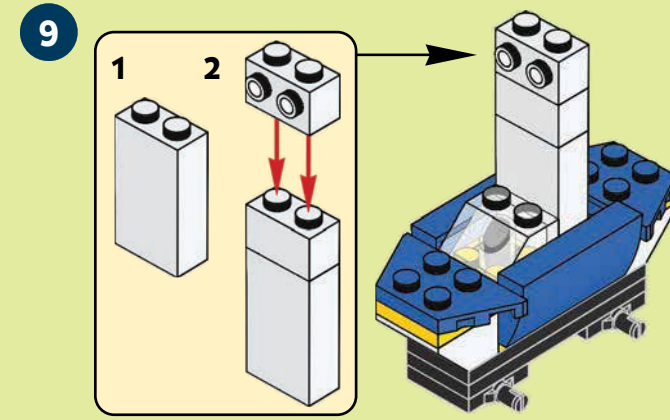
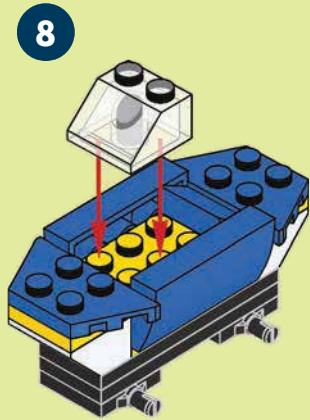
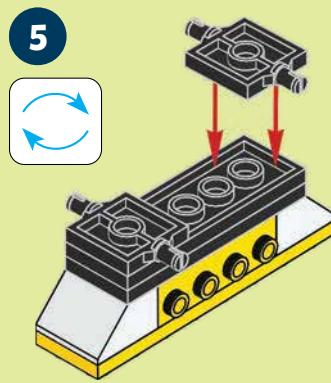
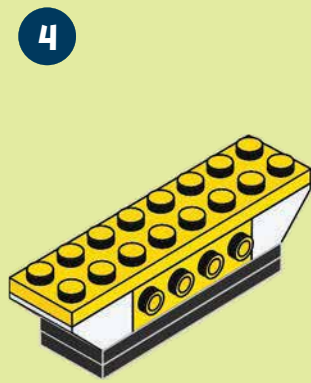
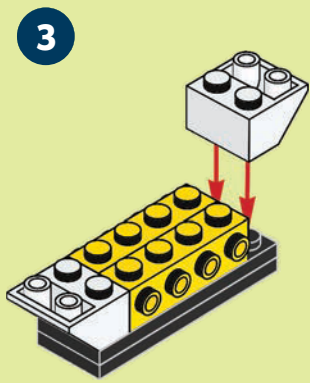
First open up one end of your box. Then, cut along the right and left sides to create a long flap for the ramp.




B

Next flip your box over and cut the box in half. This creates the stand for your ramp.





C



To make the ramp more secure, glue it to a larger piece of cardboard or tape it to a surface.



D

There you go! Try it out and have fun.



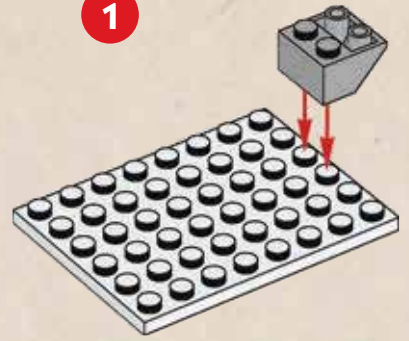
CREATE A GINGERBREAD HOUSE!

Talk about a sweet place to live. This gingerbread house with icing on its roof is for builders with 'great taste'!

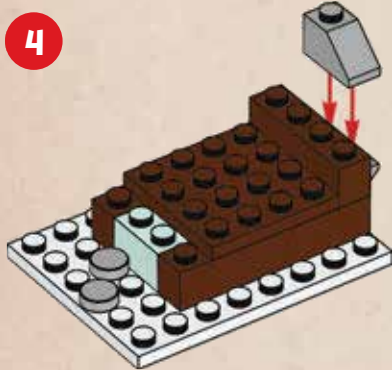
Use these instructions to build your own sweet creation, or create a completely different gingerbread house with colorful bricks from your own LEGO® collection!



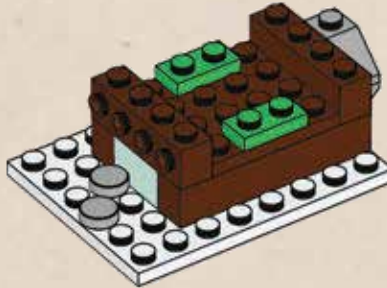
1



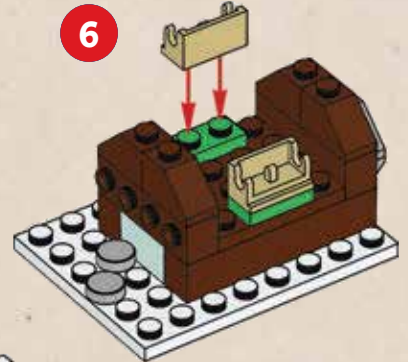
4



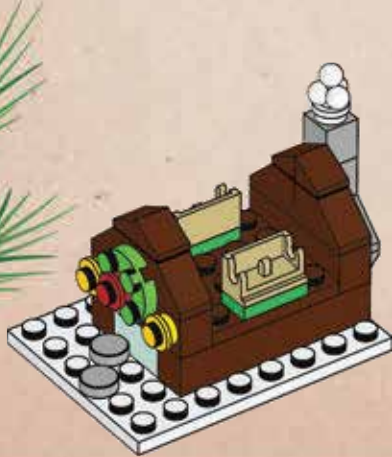
5



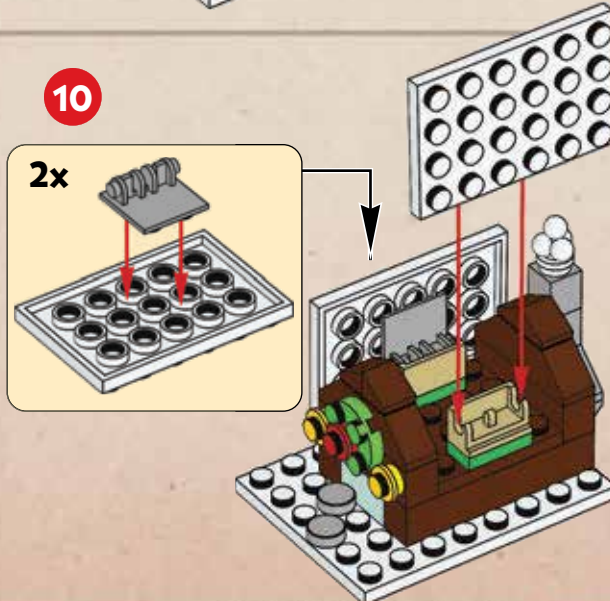
6



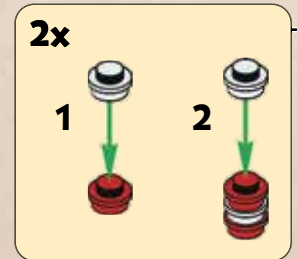
9



10



11



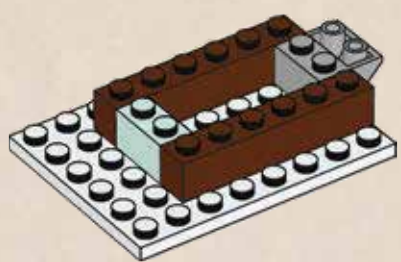
LEGO CLASSIC

BUILD FUN AND FESTIVE HOUSES!

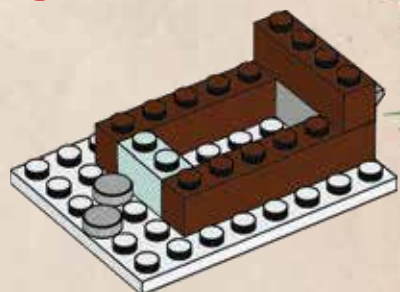
You can create these houses with LEGO® Classic Bricks and Houses pieces! You can also rebuild your own models and add your decorations. Look at our builds!



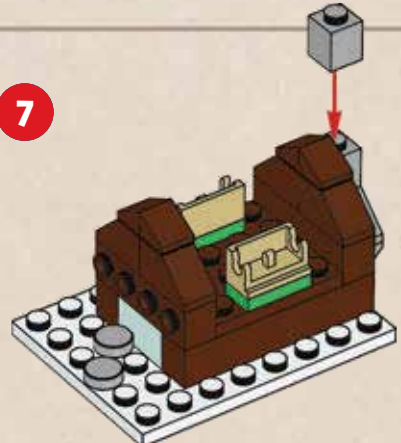
2



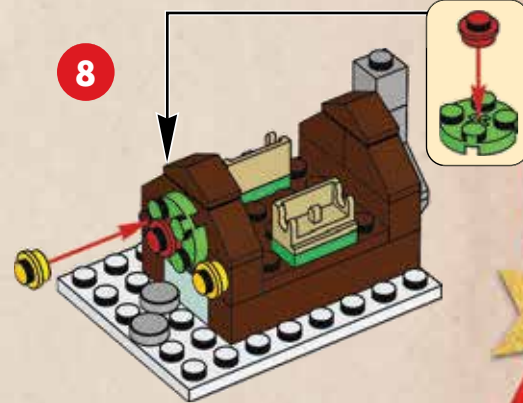
3



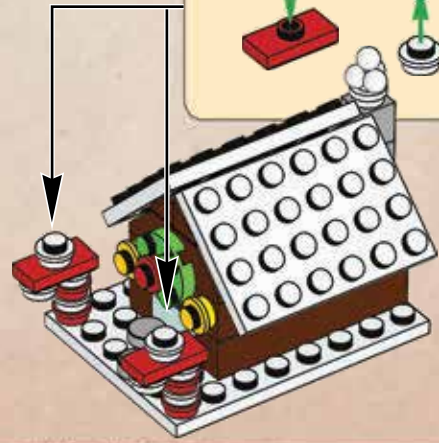
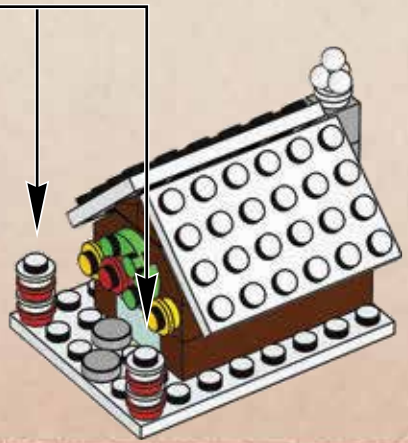
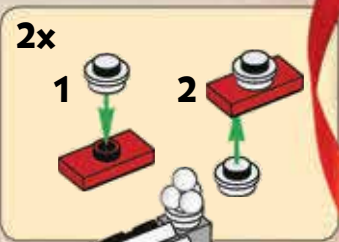
7



8



12



A WILD WINDMILL AND MORE!

When imagination meets LEGO bricks, crazy things can happen. Here we rebuilt some fun seasonal houses. Not sure you would see anything quite like these in your town, but it would be cool if you did!



Go to the LEGO Life app and share your festive houses in the #Rebuild the World group.

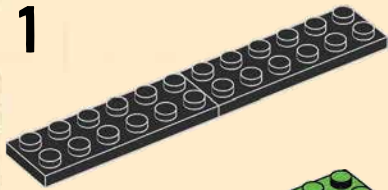
Rebuild the world

VOLUNTEERS AROUND THE GLOBE DONATE THEIR TIME AND THEIR HARD WORK TO REBUILD THE WORLD AROUND THEM. WE CELEBRATE ALL THEY DO ON INTERNATIONAL VOLUNTEER DAY ON DECEMBER 5th.

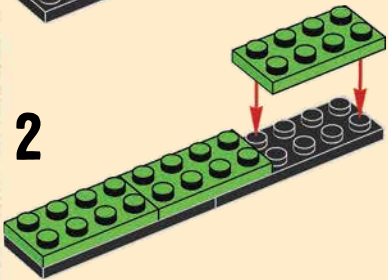


BUILD A HOLIDAY GIFT!

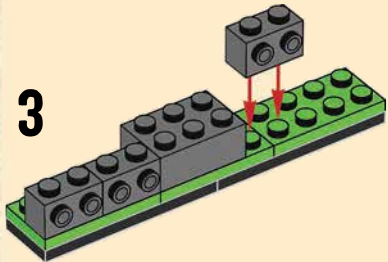
1



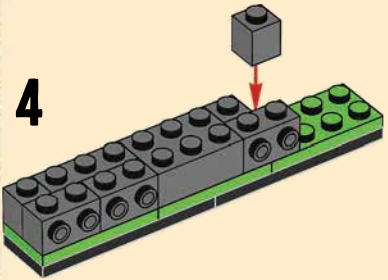
2



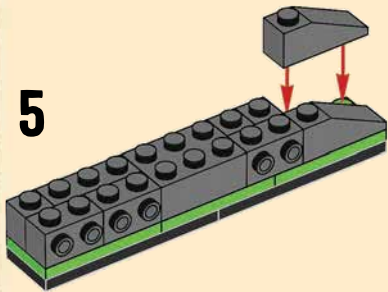
3



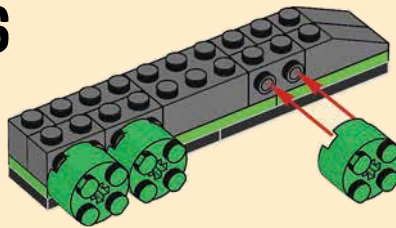
4



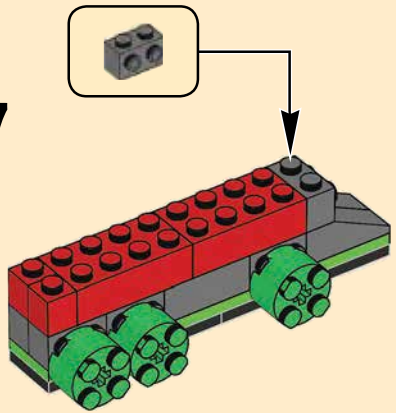
5



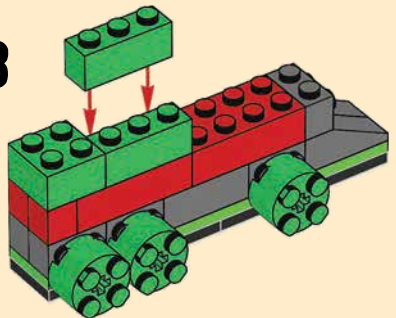
6



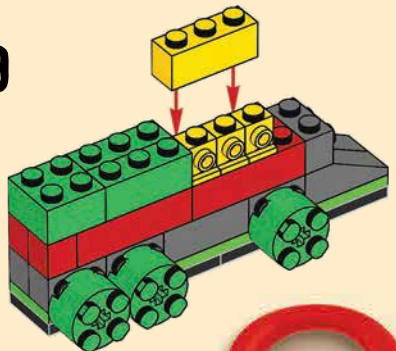
7



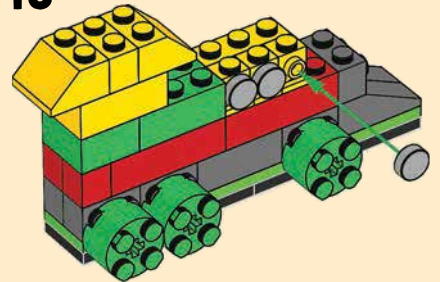
8



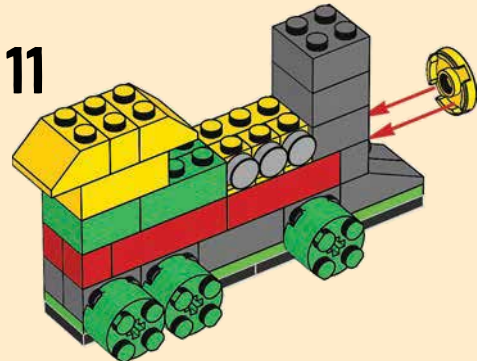
9



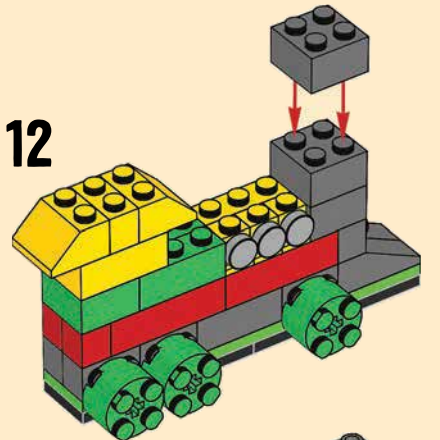
10



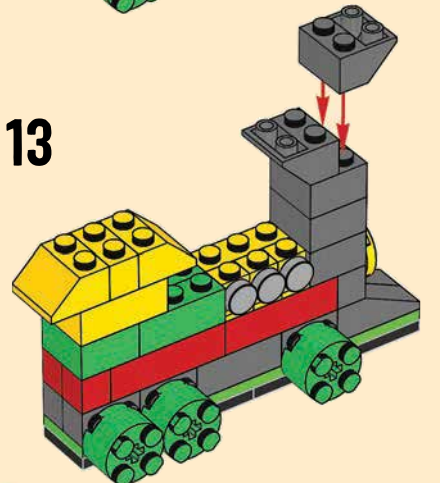
11



12



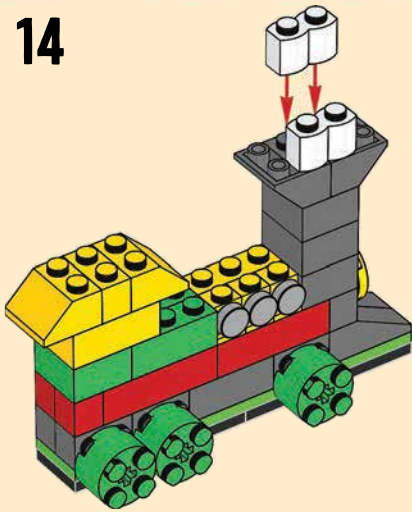
13



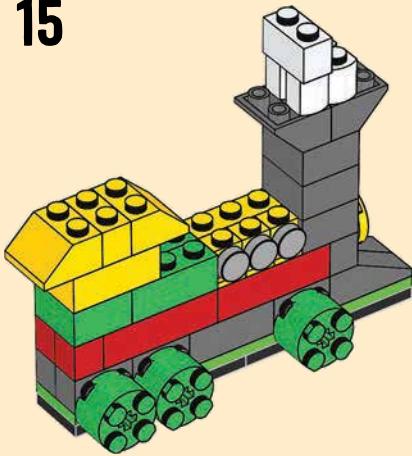
Create something truly special this holiday season to give to a friend or a family member! Build a train or candy cane using pieces from your LEGO® collection for the perfect gift!



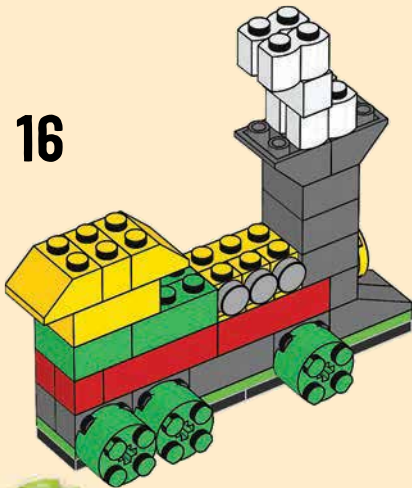
14



15



16



1



2



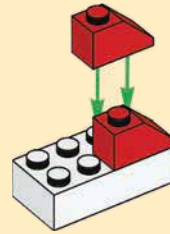
3



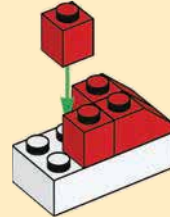
1



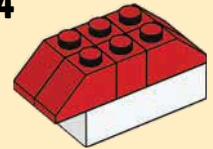
2



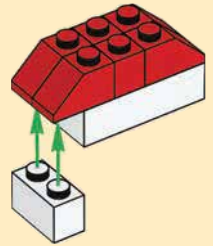
3



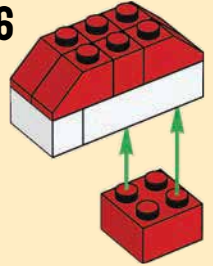
4



5

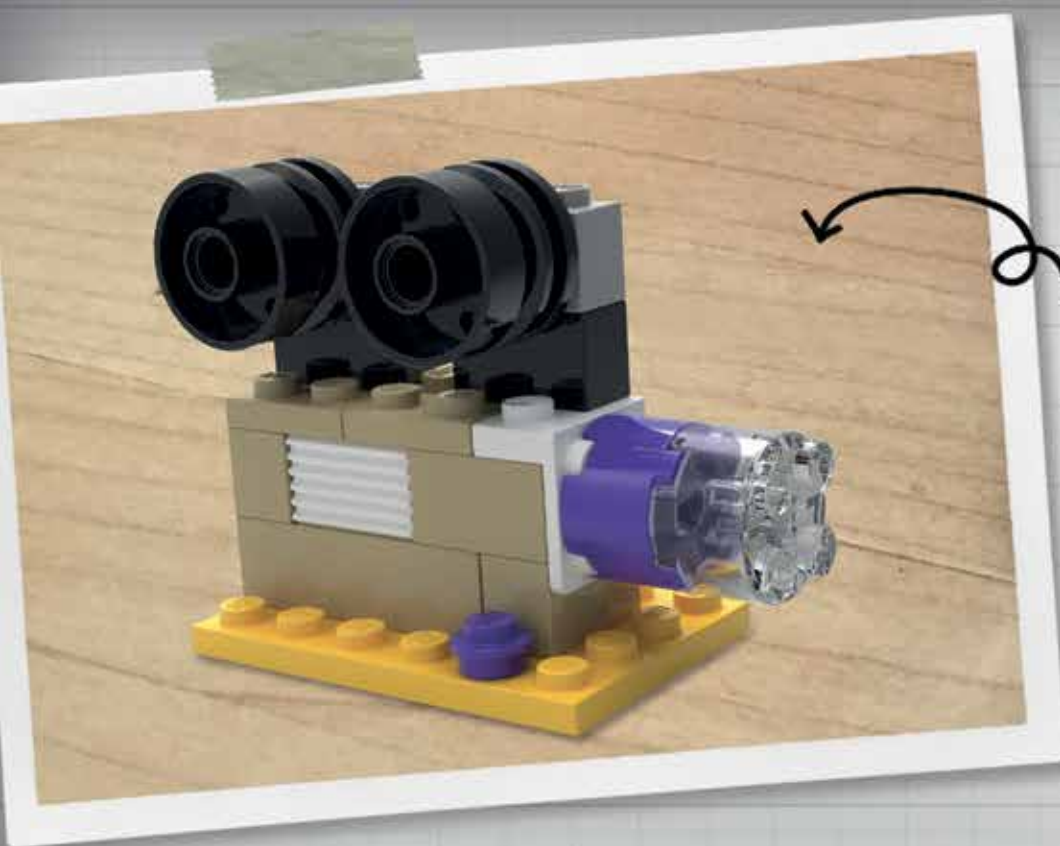


6



4

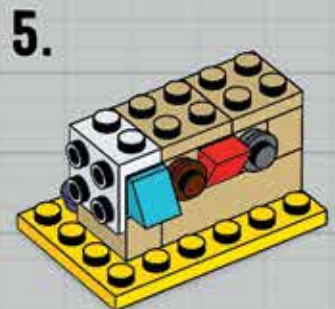
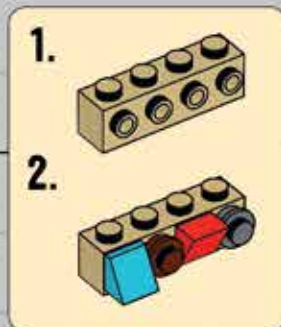
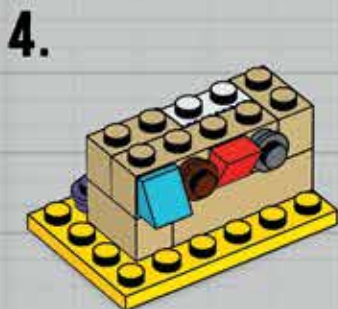
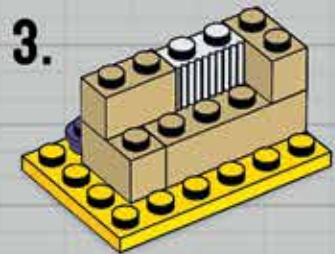
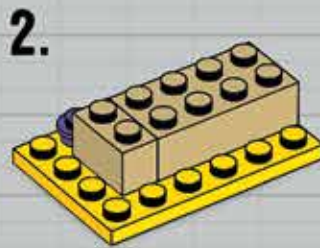
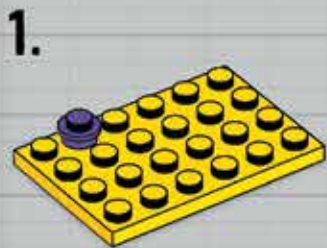




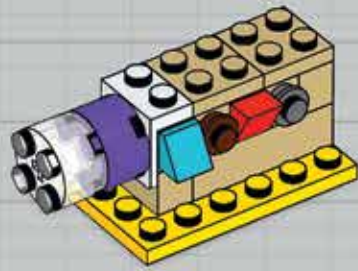
Build a movie projector for your very own cinema!

You can build this incredible model using LEGO® set 10698 Large Creative Brick Box or pieces from your own LEGO brick collection. Then invite your favourite minifigures to a movie show!

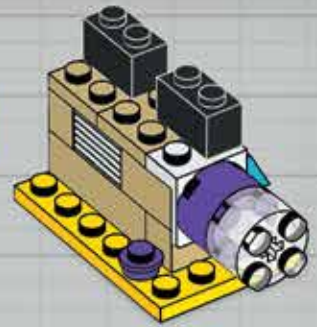
LIGHTS, CAMERA LEGO® FUN!



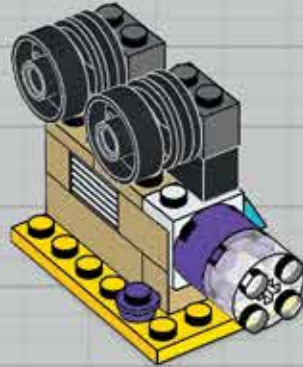
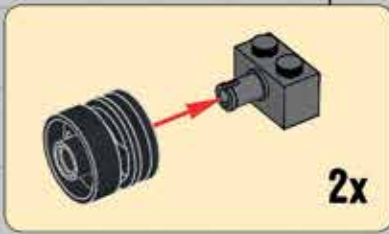
6.



7.



8.



- | | | | | | | | | |
|--|--|--|--|--|--|--|---|--|
| 
1x
287701 | 
1x
6117940 | 
3x
4109995 | 
2x
4114084 | 
1x
4201062 | 
1x
4114319 | 
1x
4622176 | 
1x
4566522 | |
| 
1x
303224 | 
1x
4216581 | 
1x
4504379 | 
1x
4619520 | 
1x
4143346 | 
1x
4210633 | 
2x
4211087 | 
2x
300426 | 
2x
6109662 |



Julius von Brunk



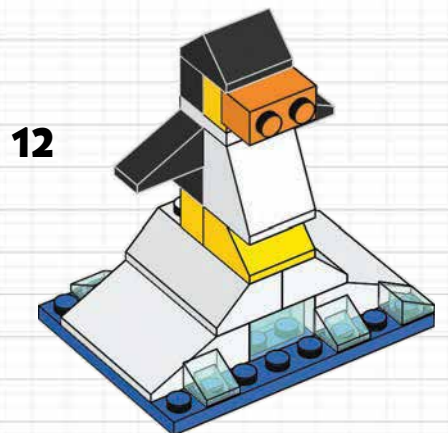
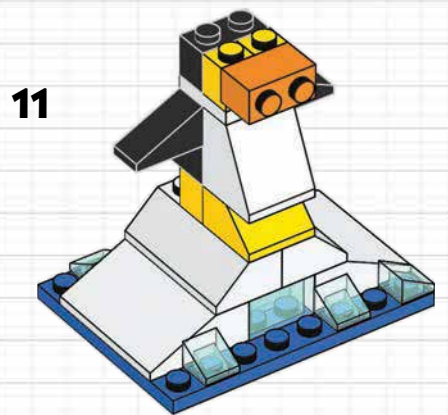
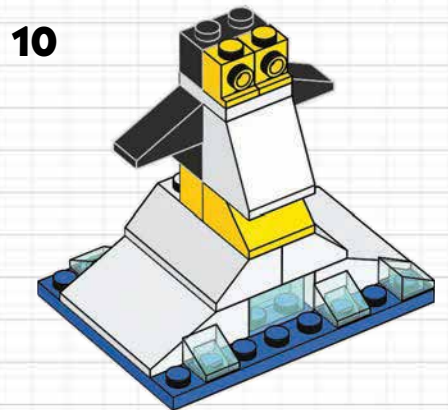
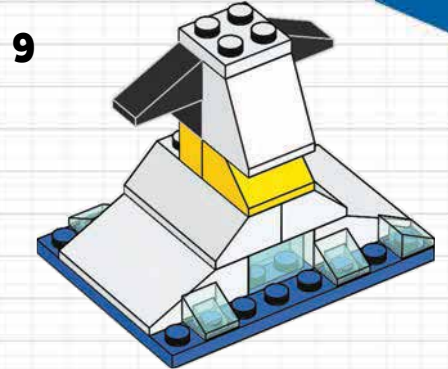
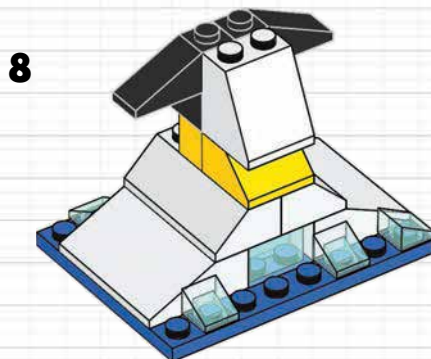
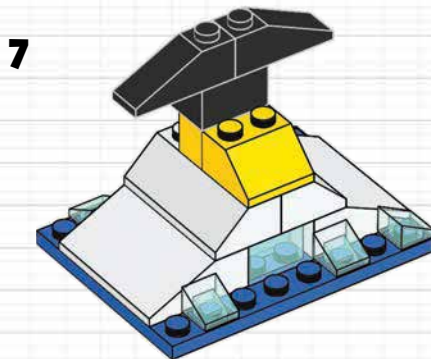
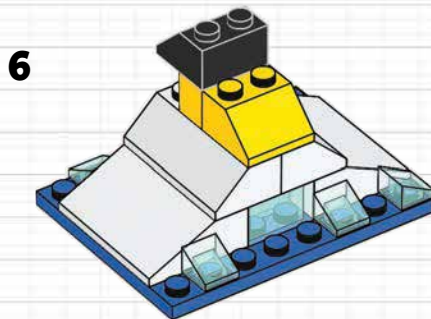
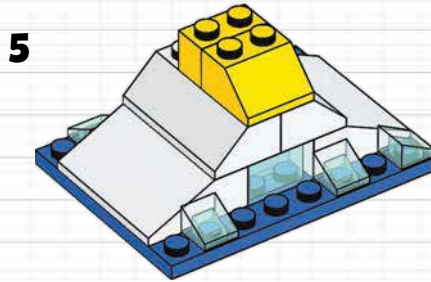
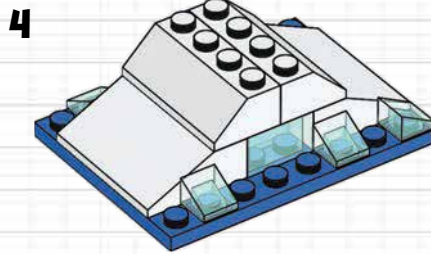
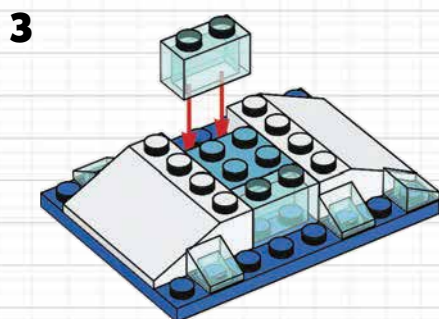
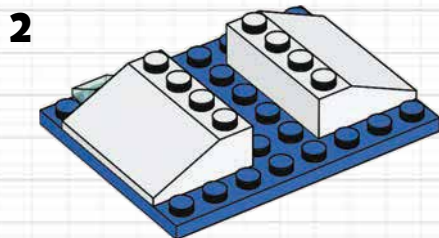
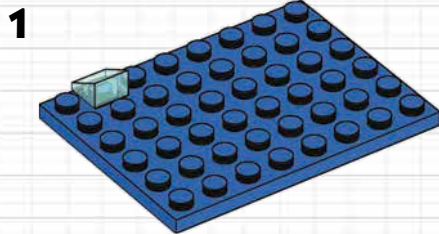
**FAN
CREATION**

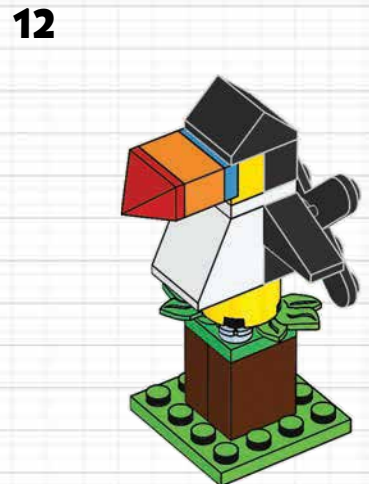
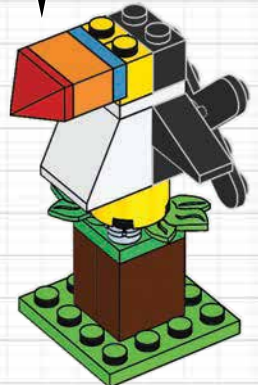
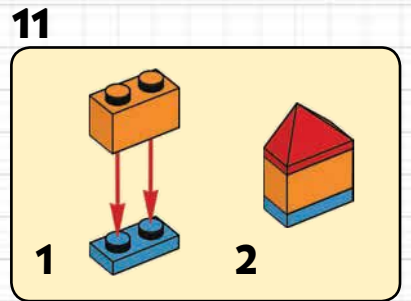
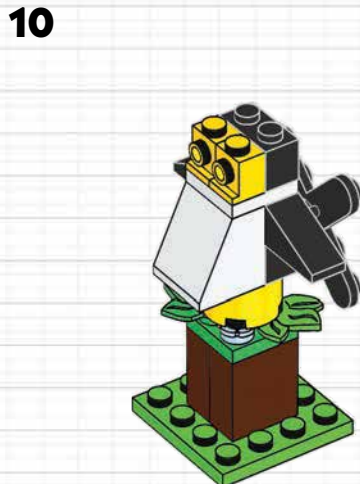
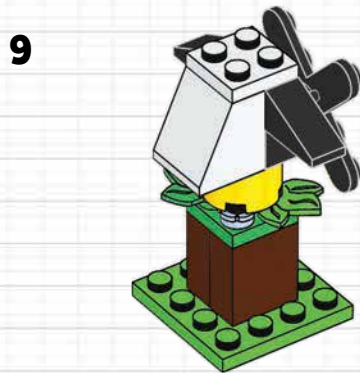
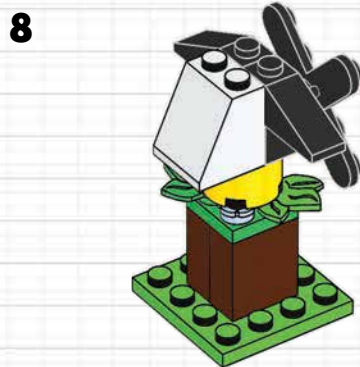
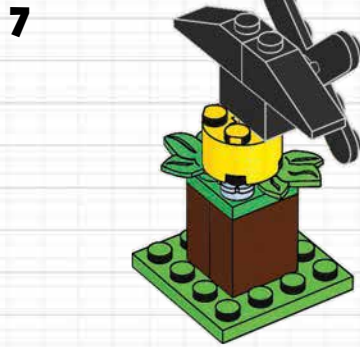
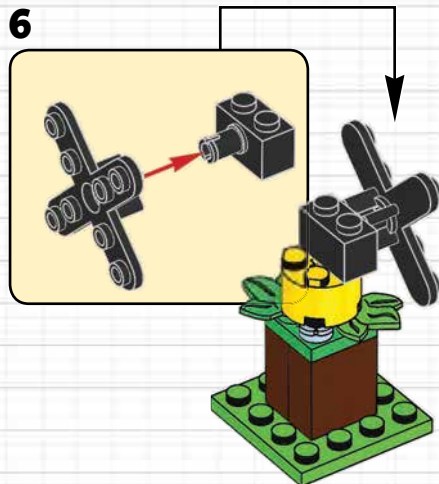
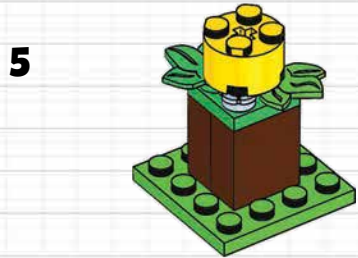
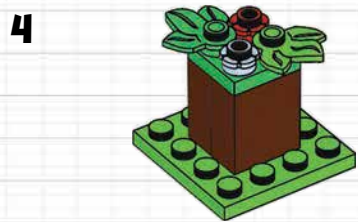
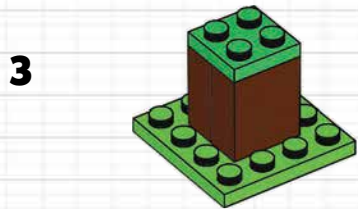
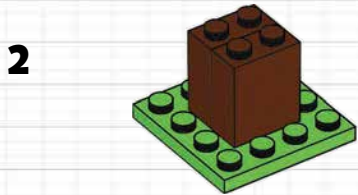
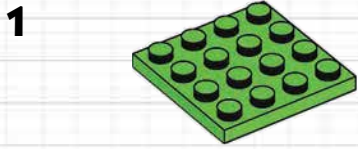
Check out these spooky models made by adult fan Julius von Brunk using pieces from the 10698 Large Creative Brick Box. Julius is well-known for his talents as a builder and graphic artist. His most popular creations are based on characters and vehicles from classic video games.



BUILD THESE AMAZING BIRDS!

Add these colorful birds to your home decorations. You can build this penguin and toucan using pieces from your LEGO® collection. Don't worry about matching the colors. Use whatever color bricks you like!





BUILD A BUNNY!



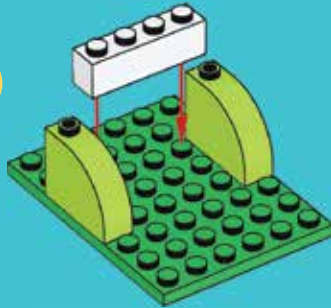
CLASSIC

This colourful little bunny has their carrot and is ready for a fun day hopping around the garden. You can build this long-eared friend using pieces from the **11011 Bricks and Animals** set or pieces from your own LEGO® collection. Don't worry about matching the colours, you can use any colours you want!

1



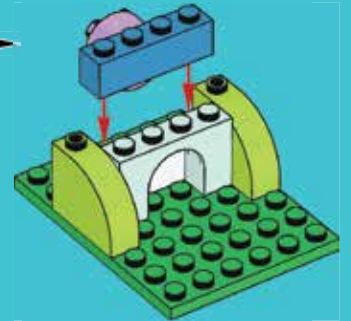
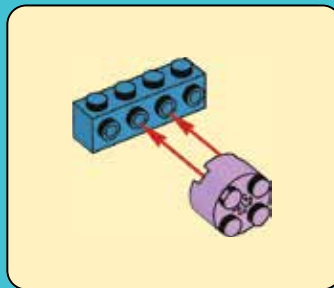
2



3



4

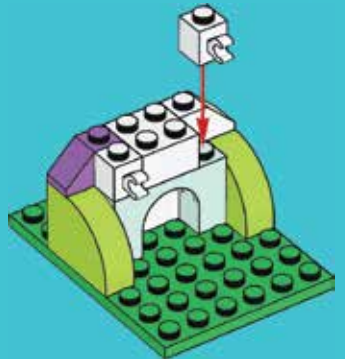


GO AHEAD,
BUILD ME!
I PROMISE NOT
TO LEAVE BROWN
BRICKS ALL
OVER YOUR
HOUSE.

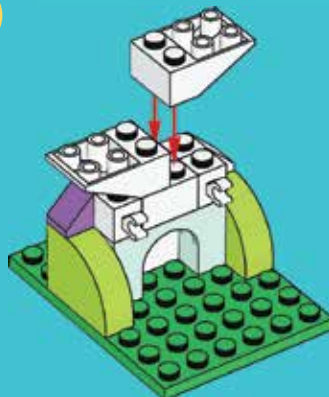
5



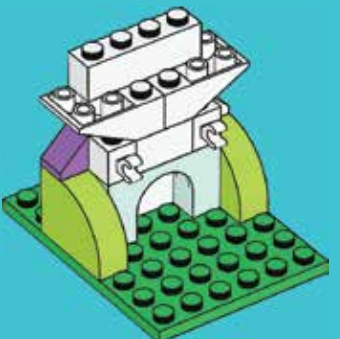
6

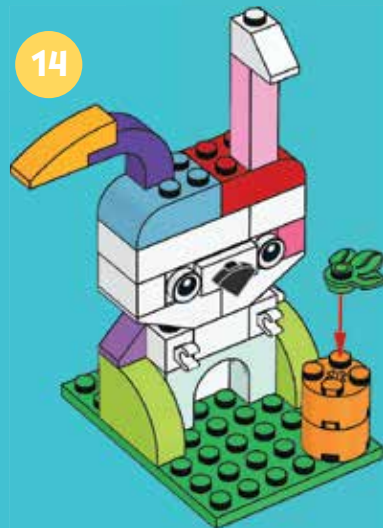
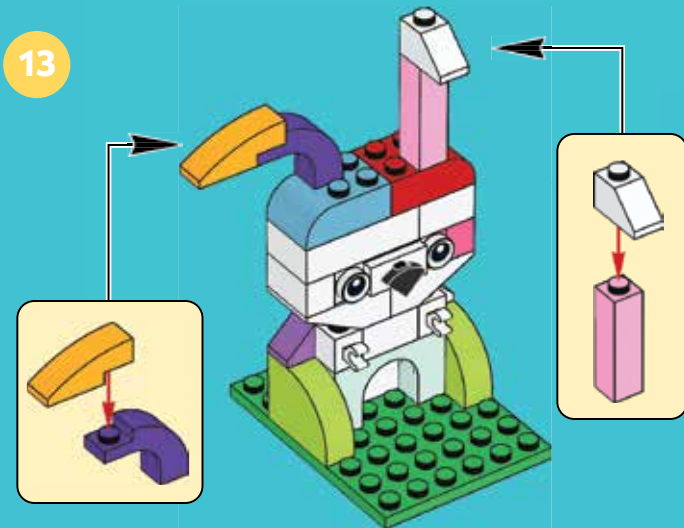
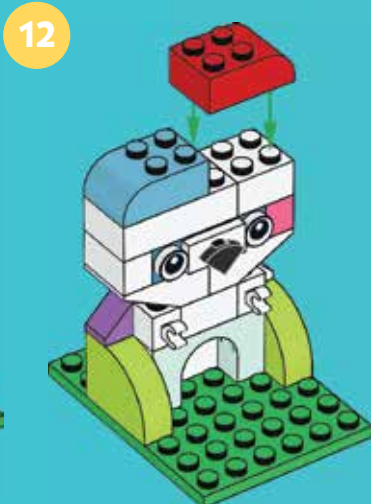
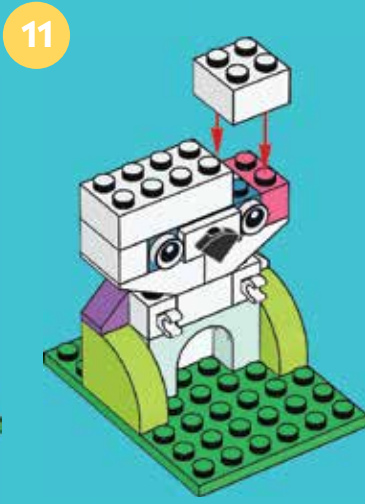
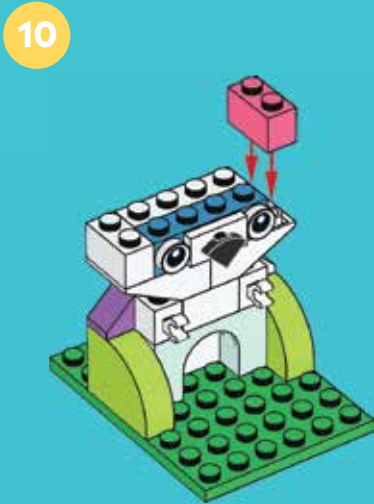
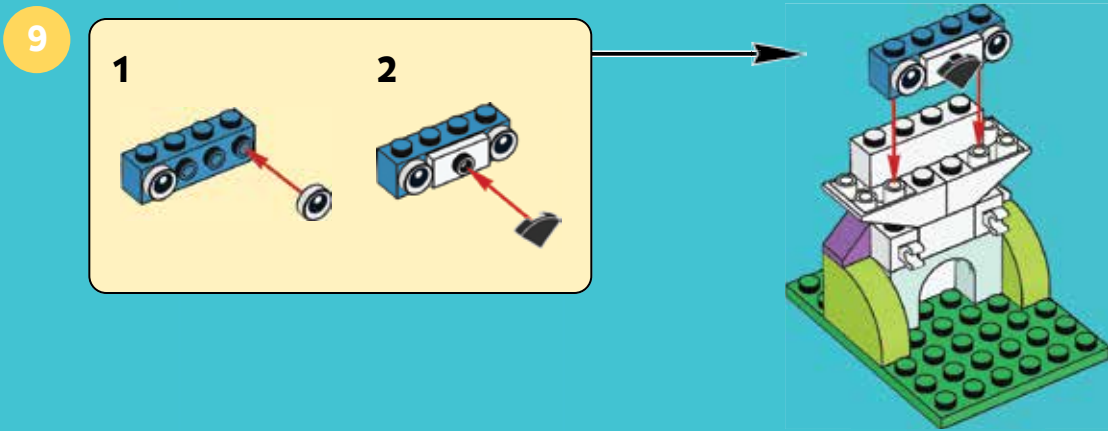


7



8





BRICK BY BRICK

You don't need lots of bricks to make an awesome model!
 You can make these cute creations using less
 than a handful of pieces.
 What can you make using
 only five LEGO elements?

