

LEGO

CATERHAM SEVEN 620 R

21307



- 🇬🇧 Booklet available in English on
- 🇩🇪 Heft in deutscher Sprache erhältlich auf
- 🇫🇷 Livret disponible en français sur
- 🇪🇸 Folleto disponible en español en
- 🇵🇹 Folheto disponível em português em
- 🇮🇹 A füzet magyarul ezen a honlapon olvasható
- 🇮🇹 Libretto disponibile in italiano su
- 🇨🇳 如需中文版手册，请访问 www.LEGO.com/ideas



LEGO.com/ideas

Removable boot cover
Abnehmbarer Kofferraumdeckel
Capot du coffre amovible
Puerta del maletero desmontable
Tampa da bagageira amovível
Levehető csomagartófedél
可拆卸后厢盖

Roll-over bar
Überrollbügel
Arceau de sécurité
Barra antivuelco
Barra anticapotamento
Bukócső
防滚杆

Carbon-fibre seats
Carbon-Sitze
Sièges en fibre de carbone
Asientos de fibra de carbono
Assentos em fibra de carbono
Szénszálás ülések
碳纤维座位

Carbon-fibre wheel arches
Carbon-Kotflügel
Ailes en fibre de carbone
Defensas de fibra de carbono
Para-choques em fibra de carbono
Szénszálás sárvédők
碳纤维挡泥板

Supercharged 2.0 litre engine with 310 BHP
2.0-Liter-Turbomotor mit 310 PS
Moteur 2 litres suralimenté de 310 ch
Motor sobrealimentado de 2,0 l, 310 CV
Motor de 2.0 litros com supercompressor e 310 cv
Feltöltött 2,0 literes 310 HP motor
310 马力 2.0 升超强劲力引擎

Side exit exhaust system
Seitenauspuff
Système de pot d'échappement latéral
Sistema de escape lateral
Sistema de exaustão de saída lateral
Oldalsó kipufogórendszer
侧面排气系统

Ventilated brake discs
Luftgekühlte Scheibenbremsen
Disques de freins ventilés
Discos de freno ventilados
Travões de discos ventilados
Légűtésű féktárcsák
带通风系统的制动碟刹

Airflow optimised nose cone
Aerodynamische Nase
Nez avec flux d'air optimisé
Morro cónico optimizado para favorecer
el flujo de aire
Ponta dianteira com fluxo de ar otimizado
Optimalizált levegőáram az orrkúpon
空气动力学优化设计的头锥



The Caterham Seven

The Seven is no ordinary car. With over 50 years of high-performance heritage behind it, it has achieved an iconic status amongst race car enthusiasts the world over. Its simple

racing inspired design and light weight remain as relevant today as when it was first introduced as the Lotus Seven in 1957.





The Perfect Racing Machine

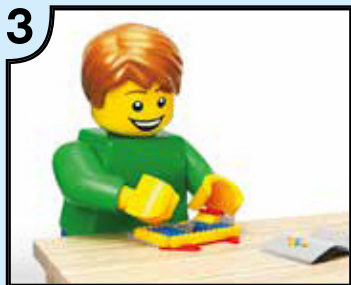
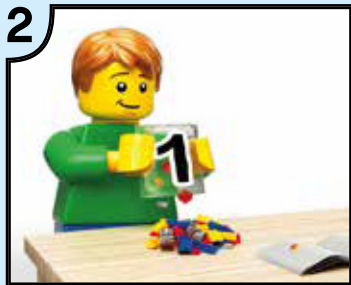
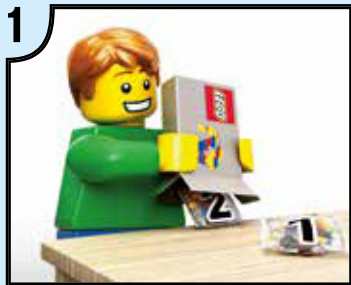
Created by visionary Formula One designer, Colin Chapman, the Lotus Seven was a road-going sports car based on racing car principles and supplied to the customer as a build-it-yourself kit. A Lotus dealer in the Surrey town of Caterham saw a great potential for the tiny sports car, and in 1973 Caterham Cars bought the rights from Lotus and started to build the third generation 'Series 3' version, which remains in production today.

Put side by side, an original Lotus Seven Series 3 from 1968 would look very similar to the cars being built nearly fifty years later. However, under the skin, Caterham has continued to refine and develop the car, ensuring that its overall racing performance is always highly competitive.

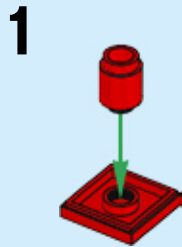
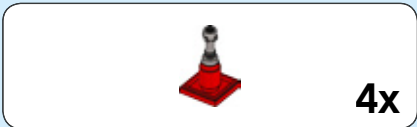
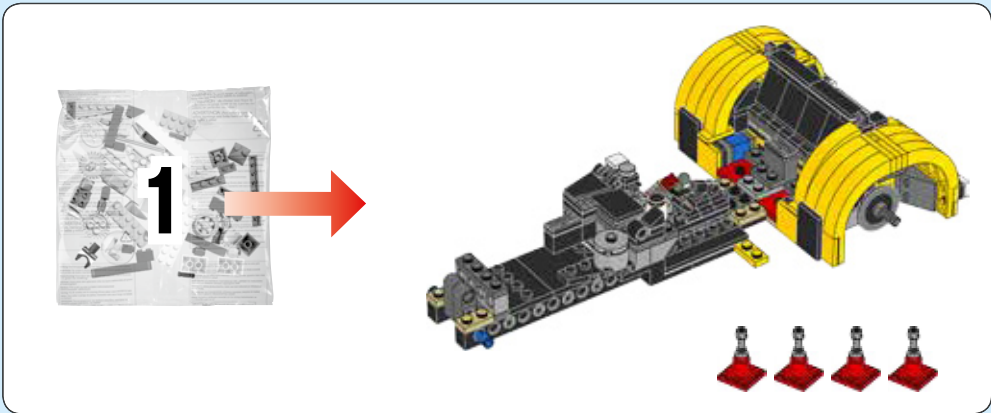
The most powerful Caterham car to date, the Seven 620R, was revealed in 2013. With a 310BHP supercharged Ford engine developed

by Caterham, coupled to a six-speed sequential racing gearbox; the 1261 lbs (572 kg) car accelerates from 0-63 mph (0-100 kph) in just 2.8 seconds and has a top speed of 155 mph (250 kph). It also utilises the latest in material engineering, with lightweight carbon-fibre used for the wings, interior panels, dashboard and seats, whilst the wheels and tyres have been developed especially for the car.

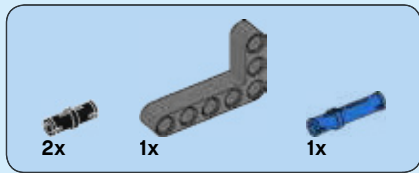
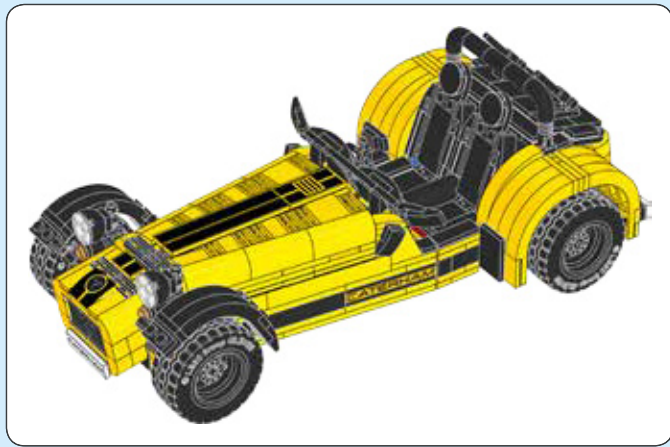
It is estimated that there are as many as 1,000 Sevens competing on any given weekend, with championships all over the world from Colombia to Taiwan. The Caterham factory in Dartford, Kent, continues to build 500 cars each year, with well over half of the cars being exported around the world. Although all export cars are now fully built like any other regular road car, customers in the UK still have the option to build their car from a kit, just like the original, and more than 100 do so each year.



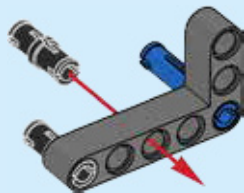
LEGO.com/brickseparator



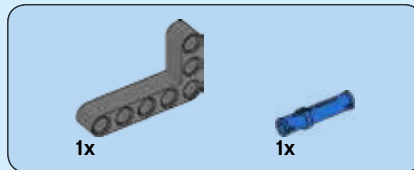
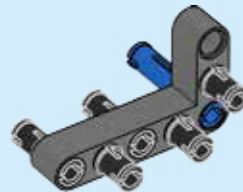
4x



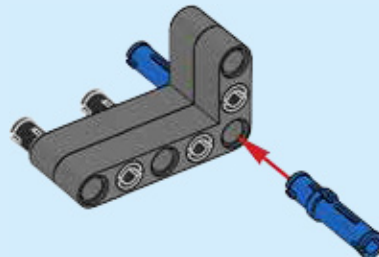
1



2

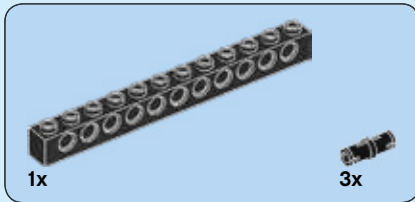
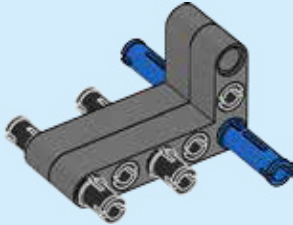


3

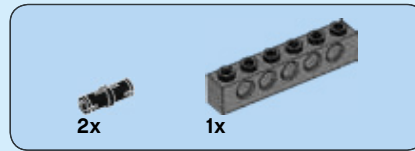
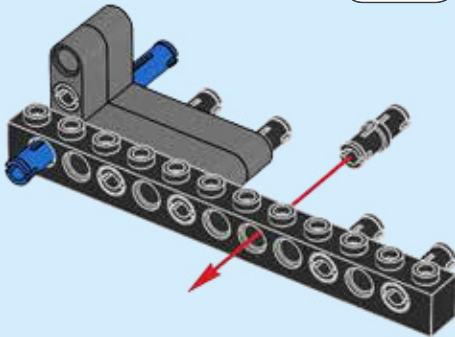
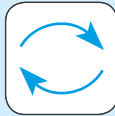




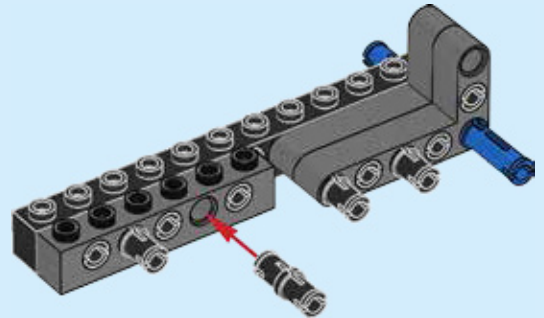
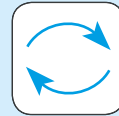
4

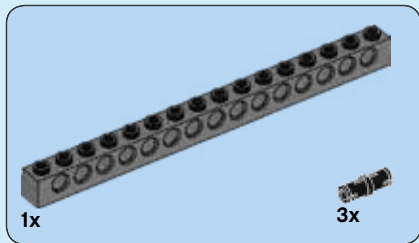


5

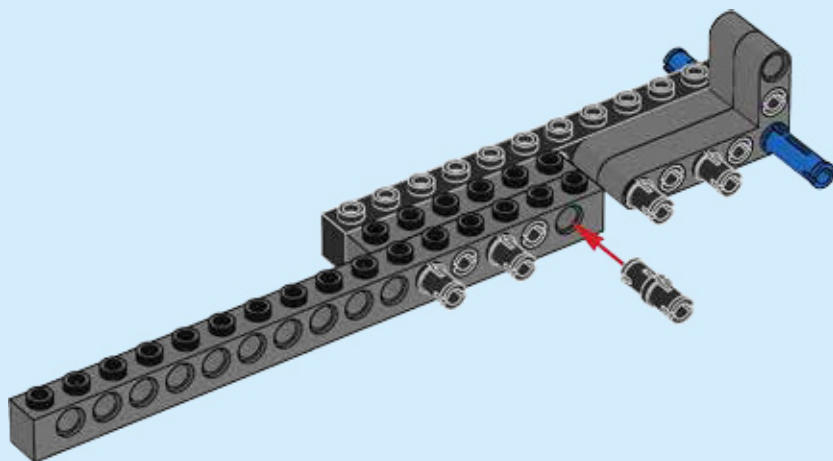


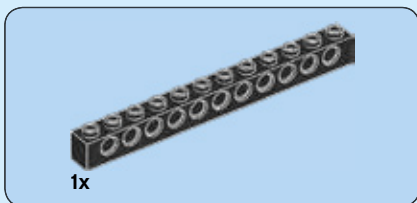
6



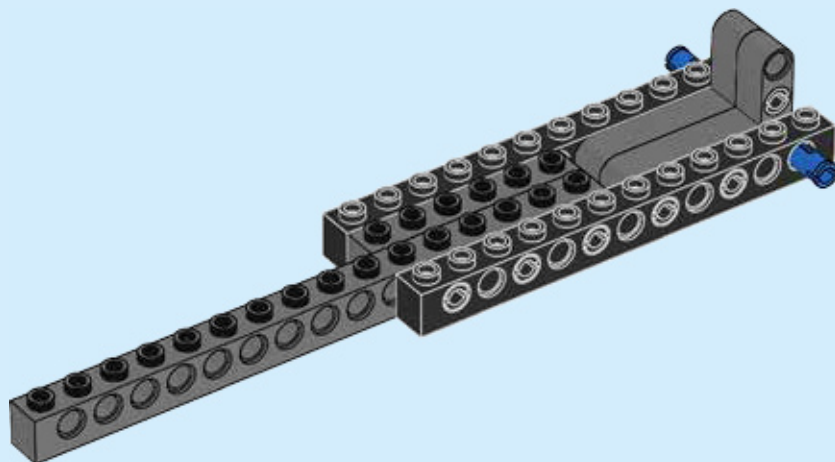


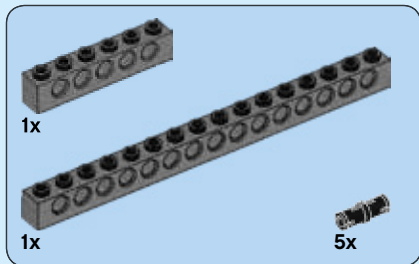
7



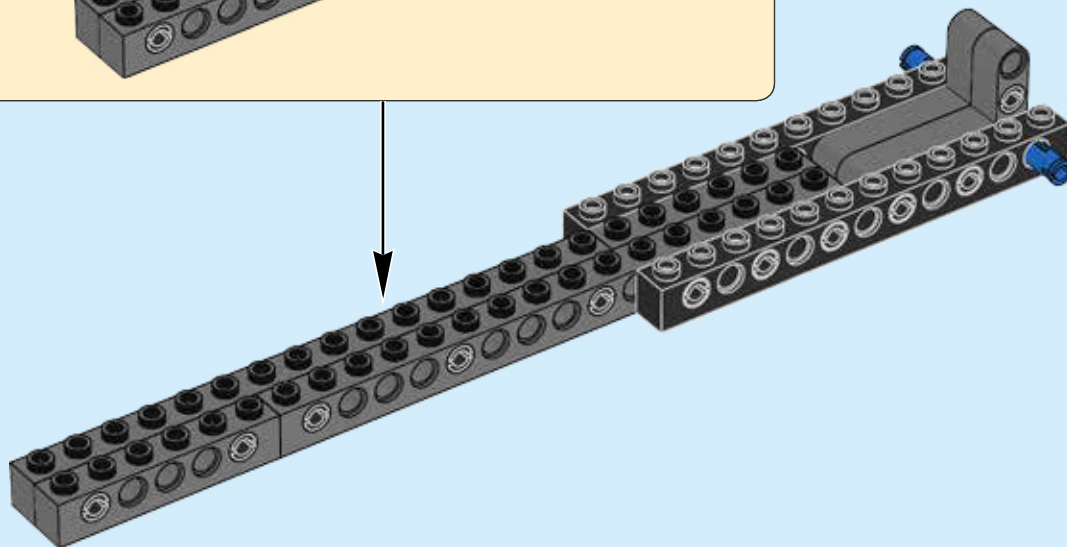
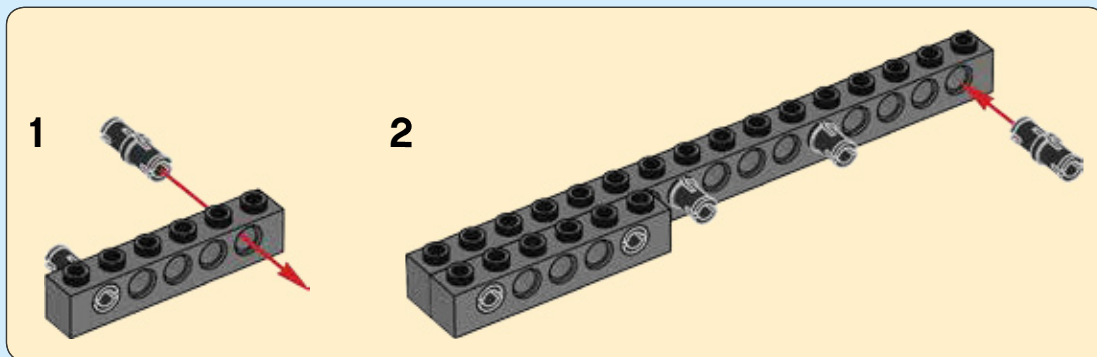


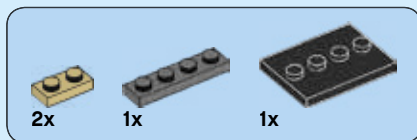
8



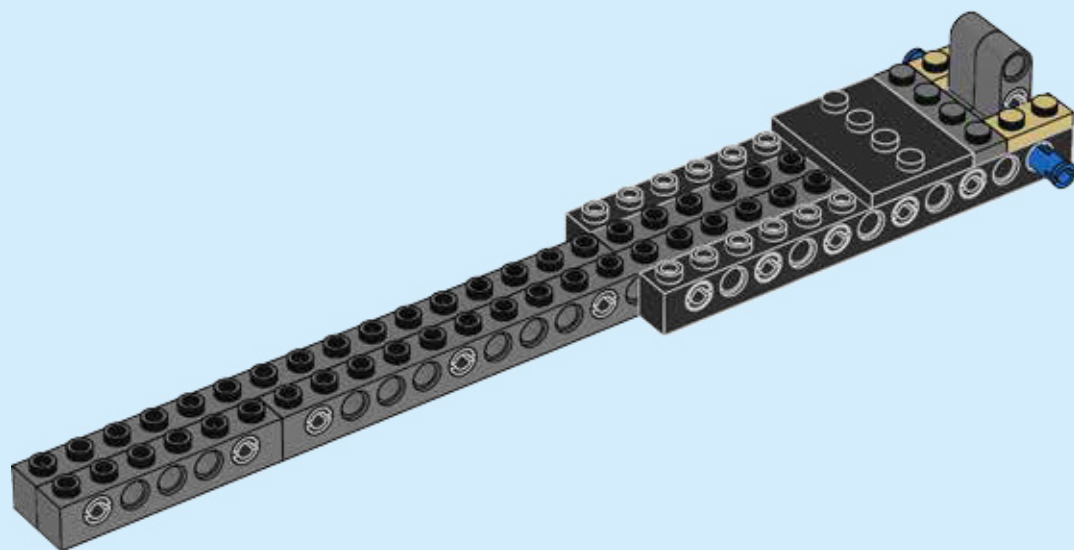


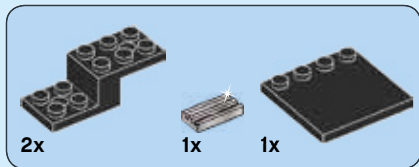
9



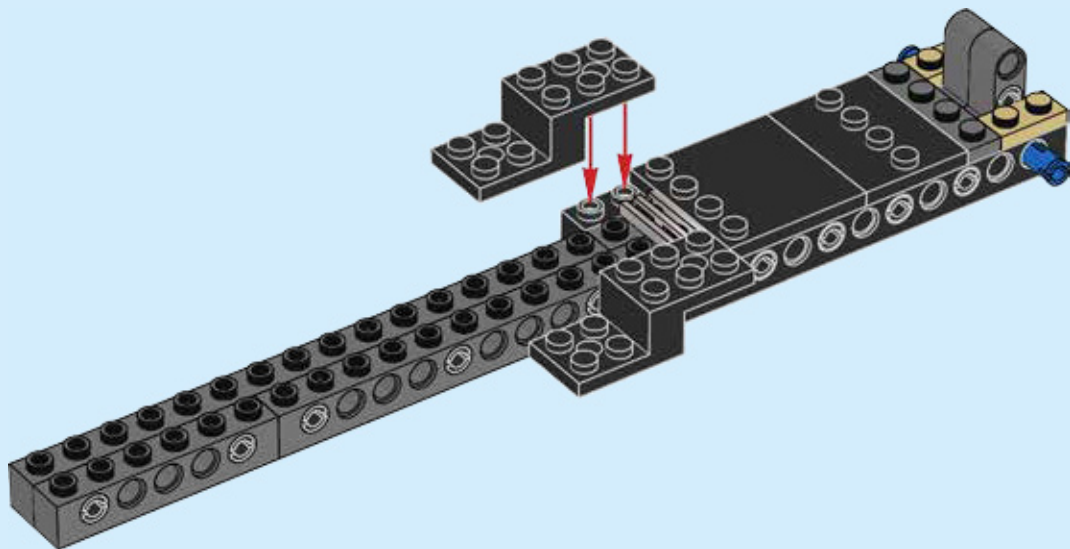


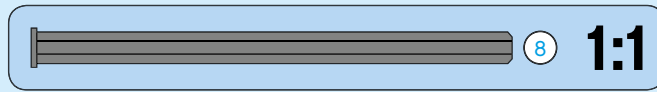
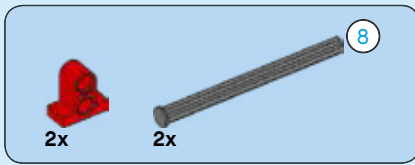
10



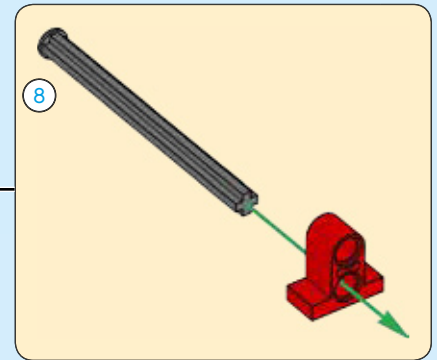
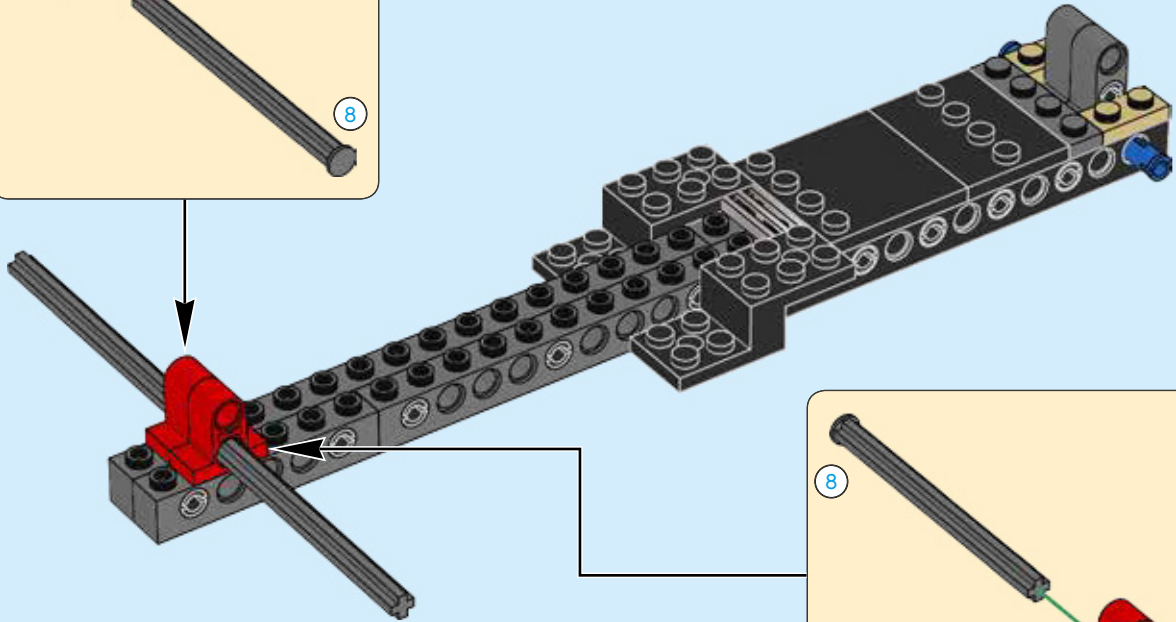
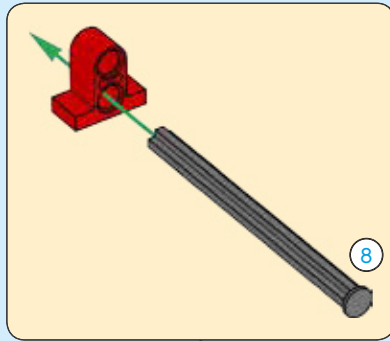


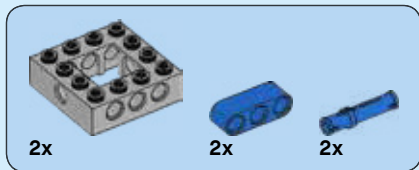
11



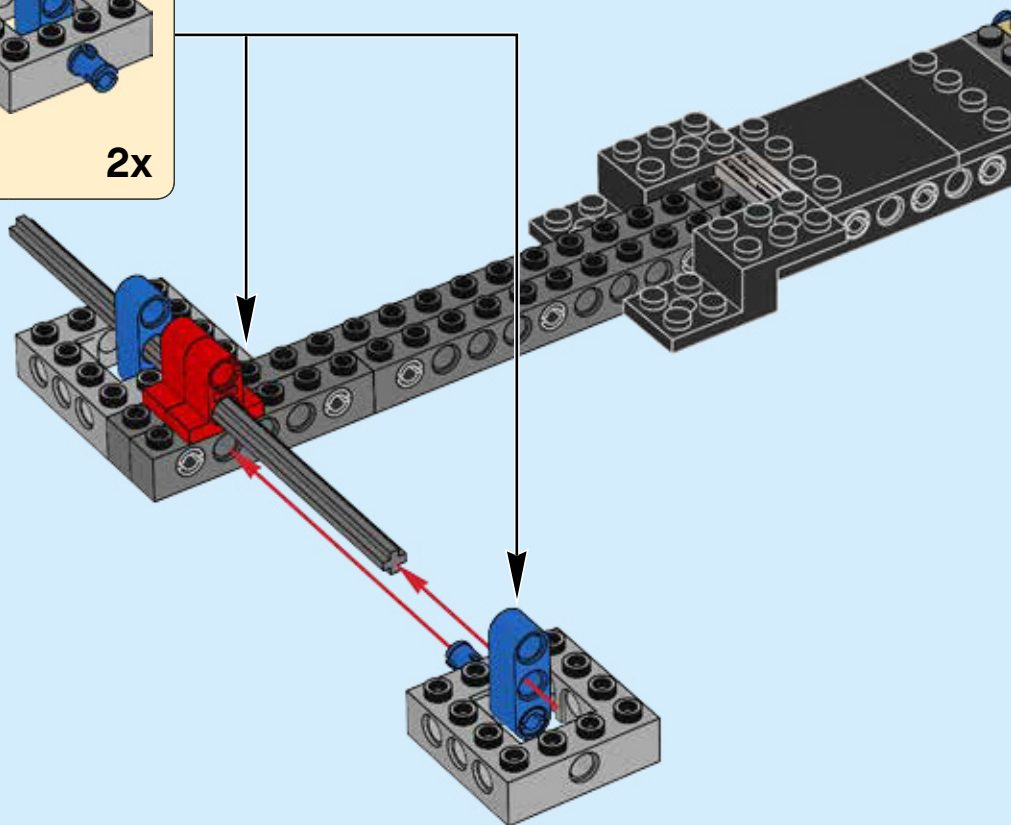
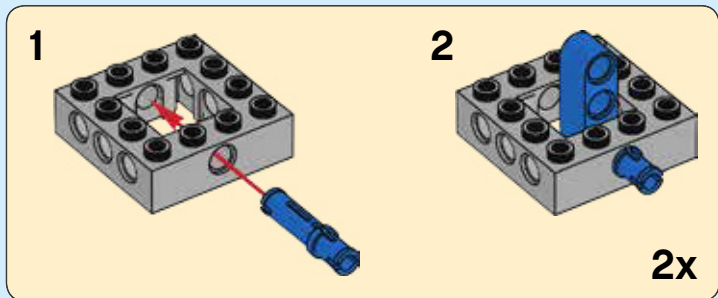


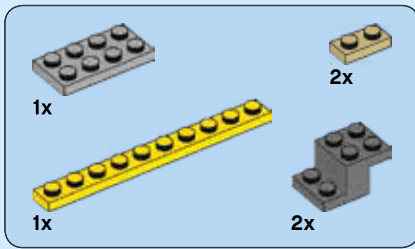
12



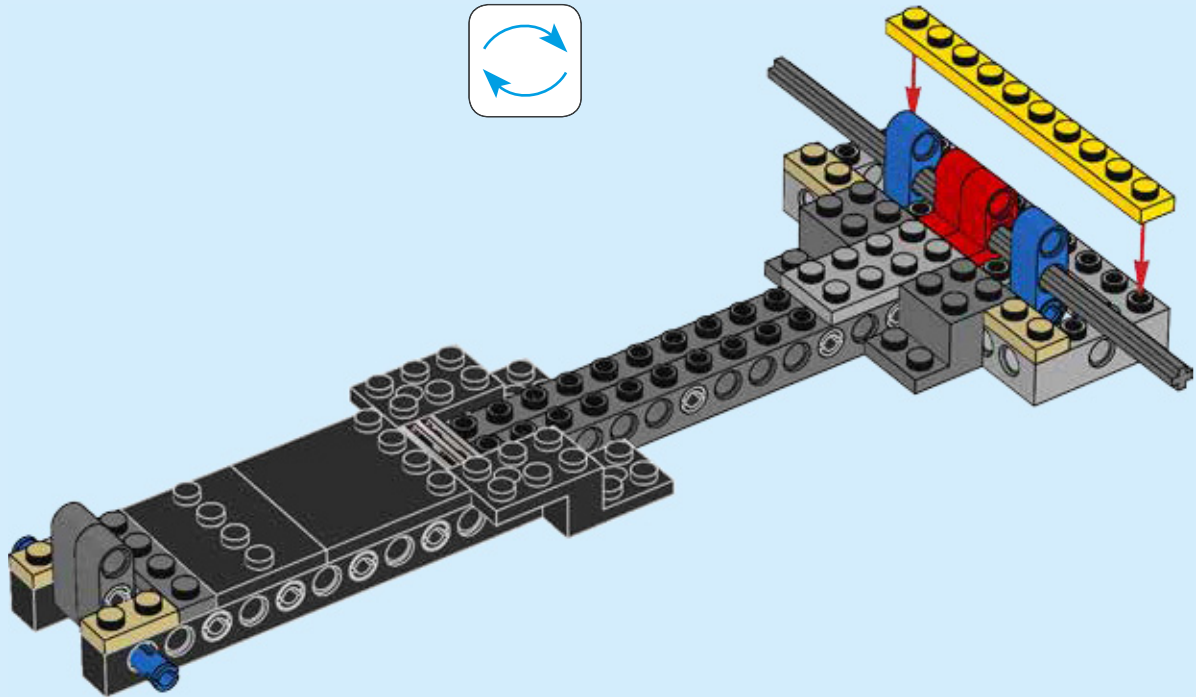
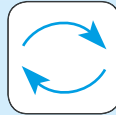


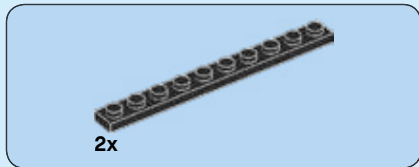
13



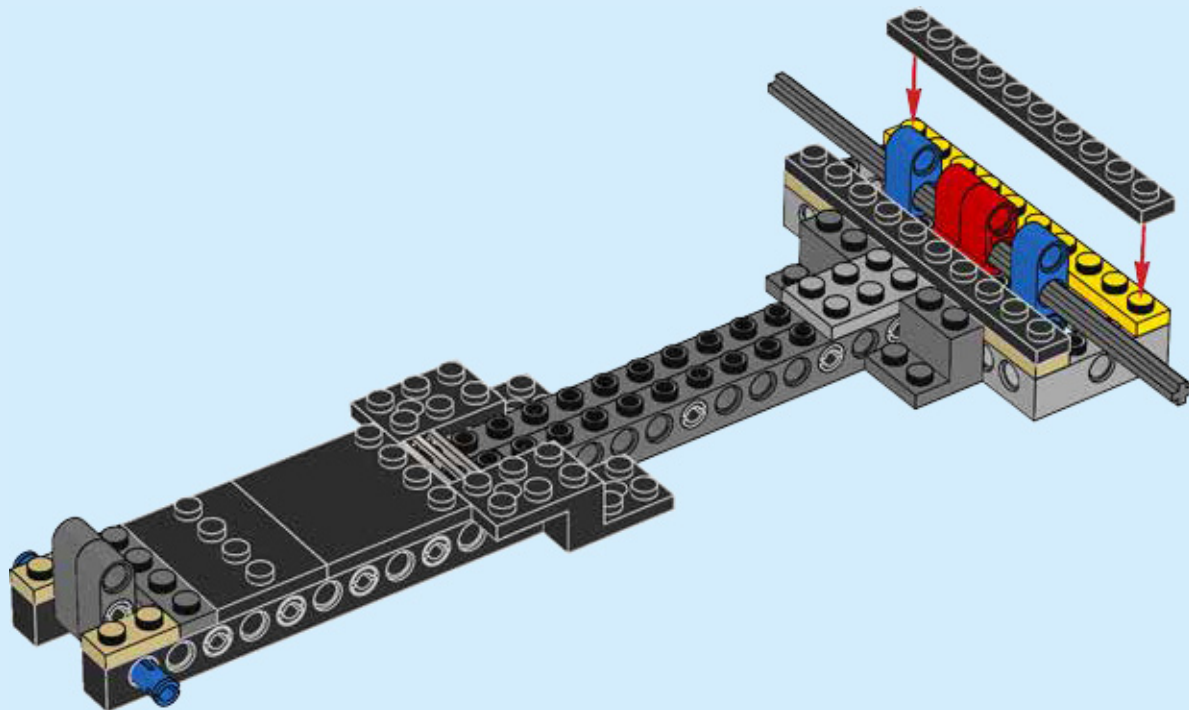


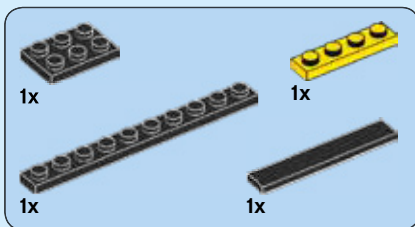
14



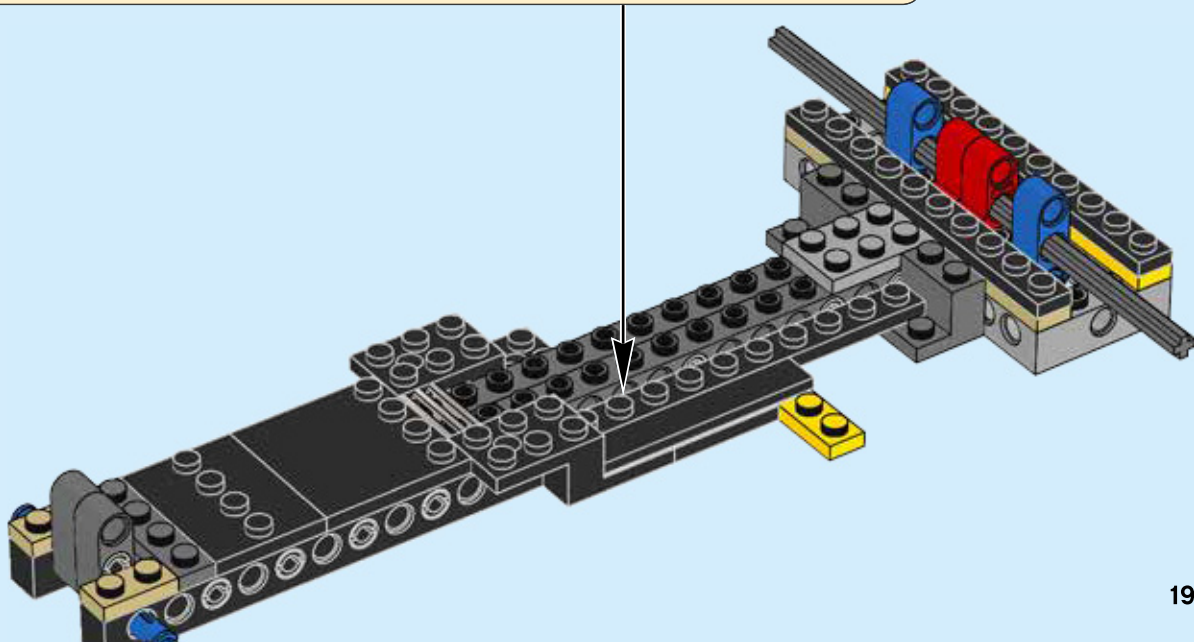
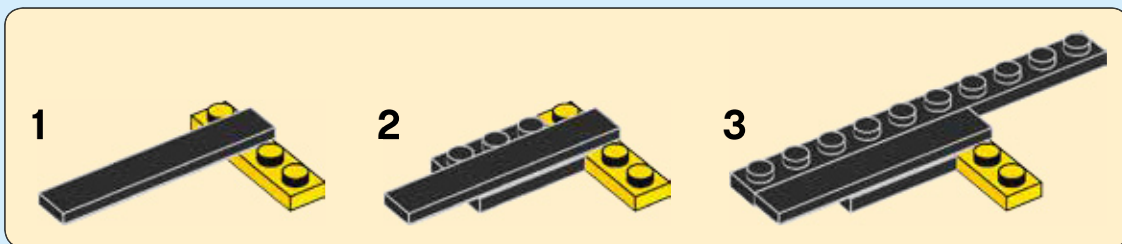


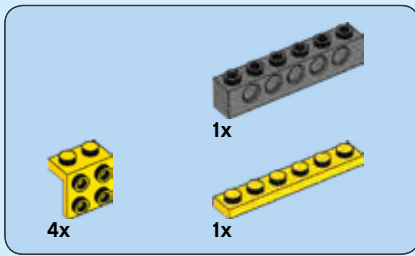
15



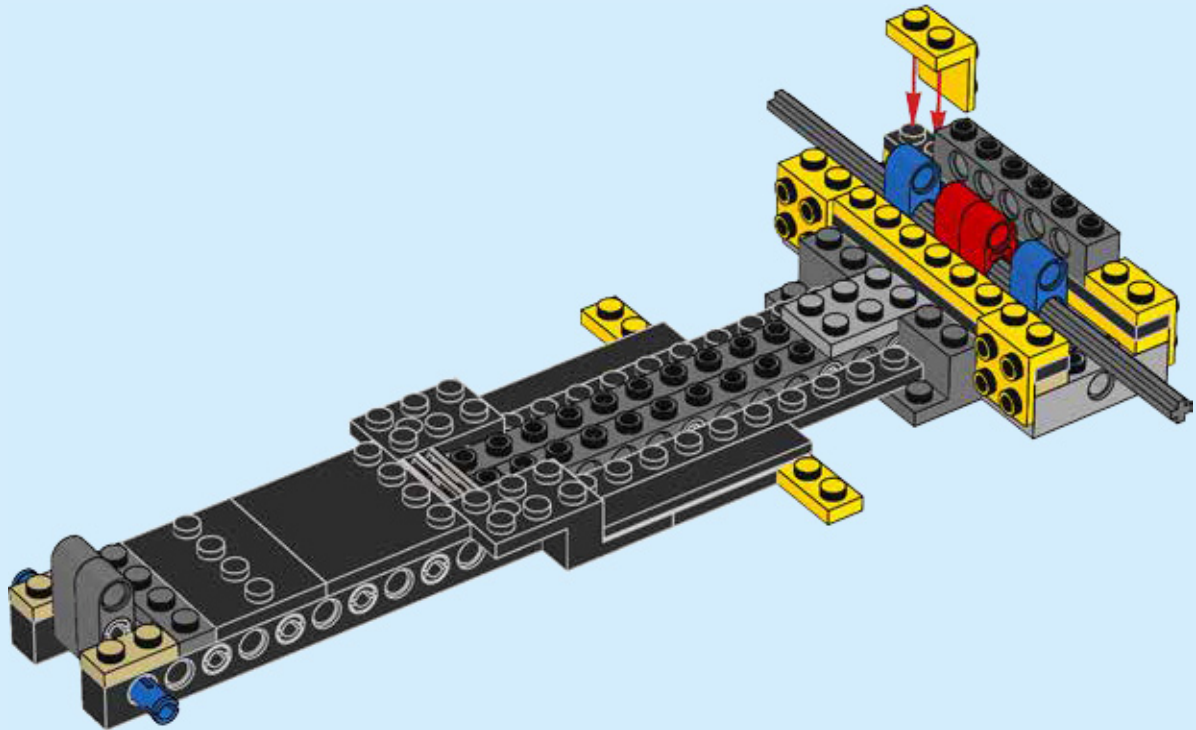


16



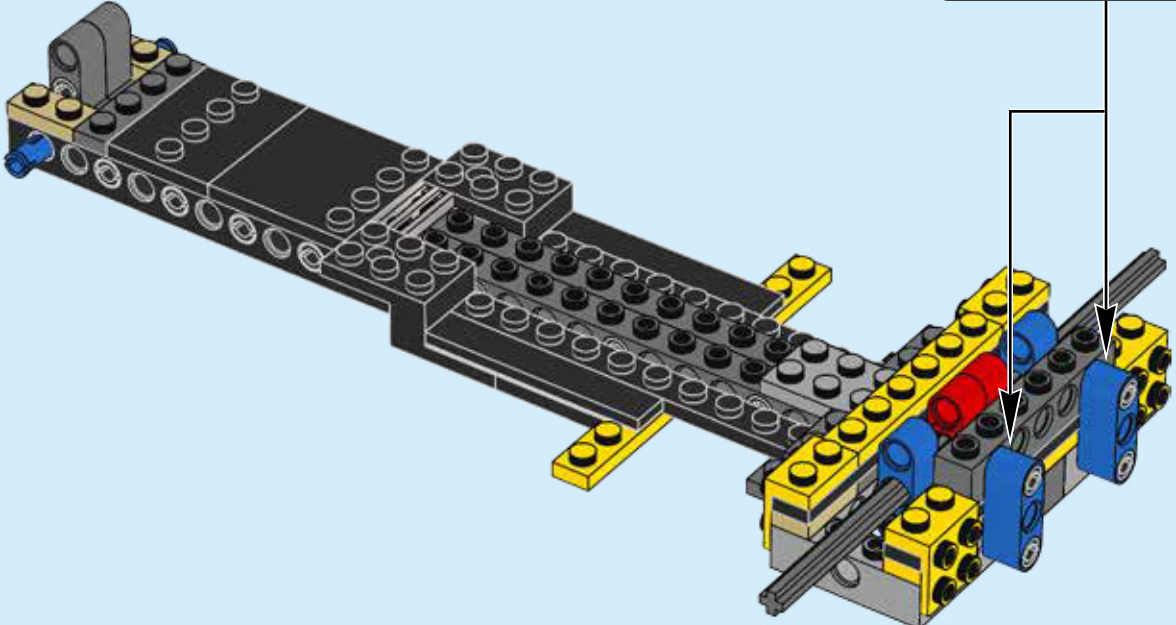
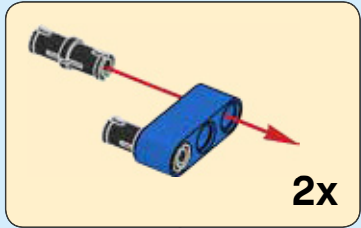


18



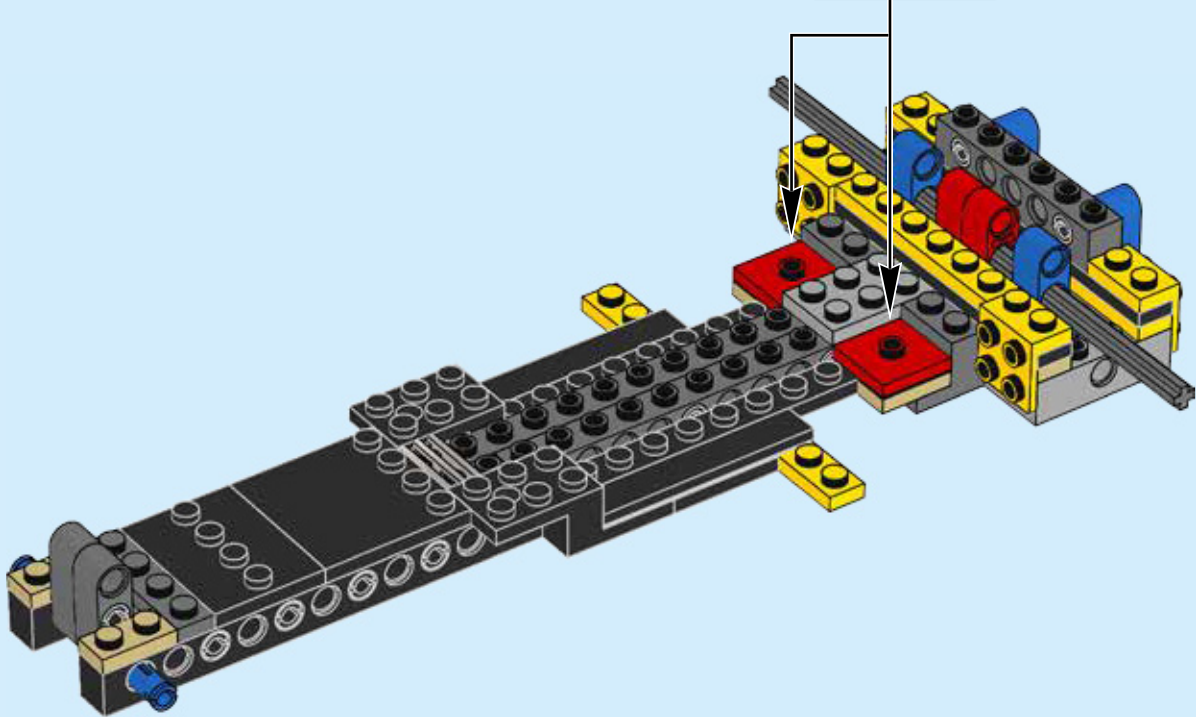
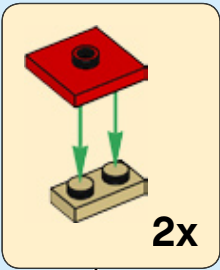


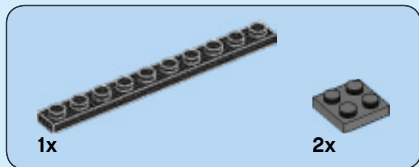
19



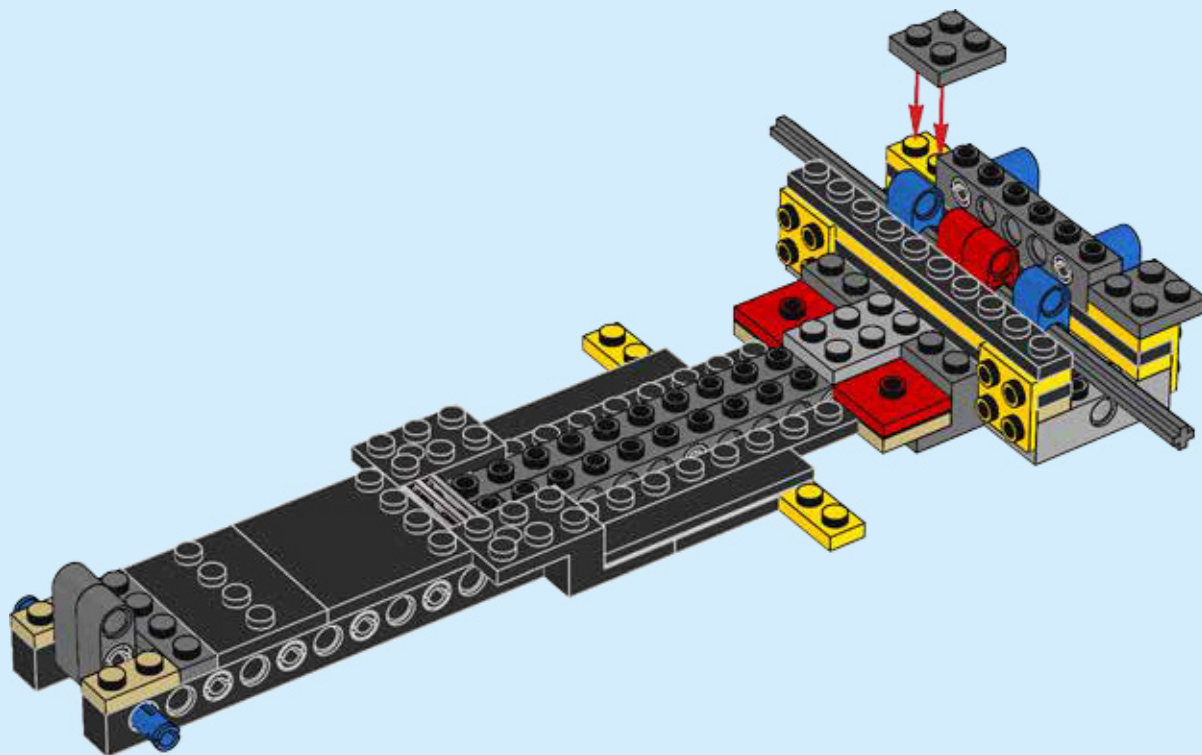


20



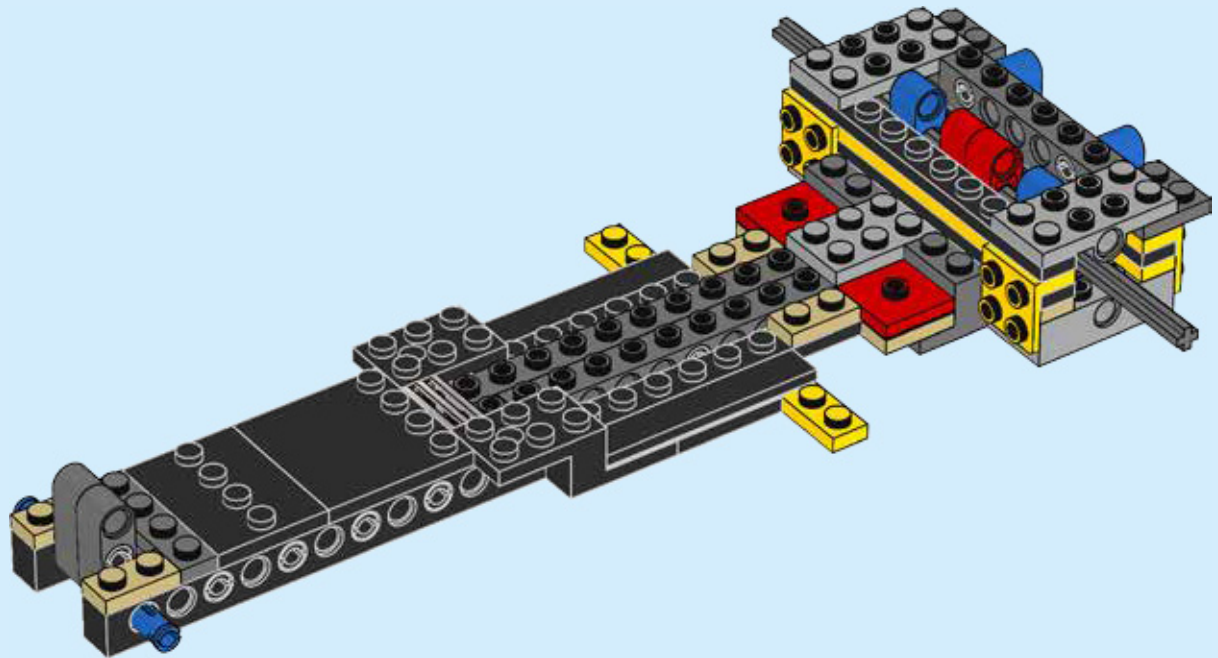


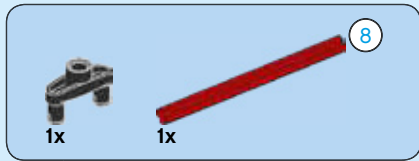
21



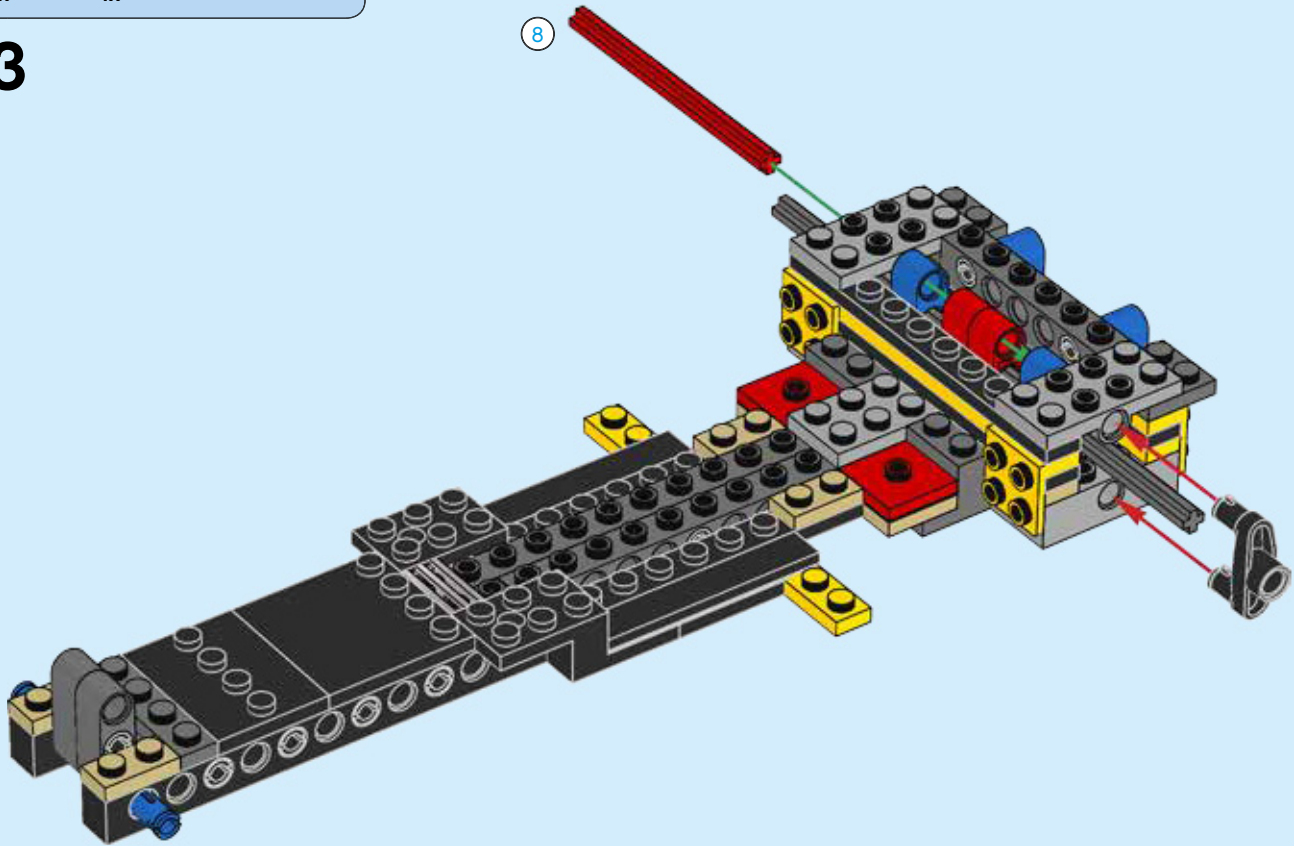


22



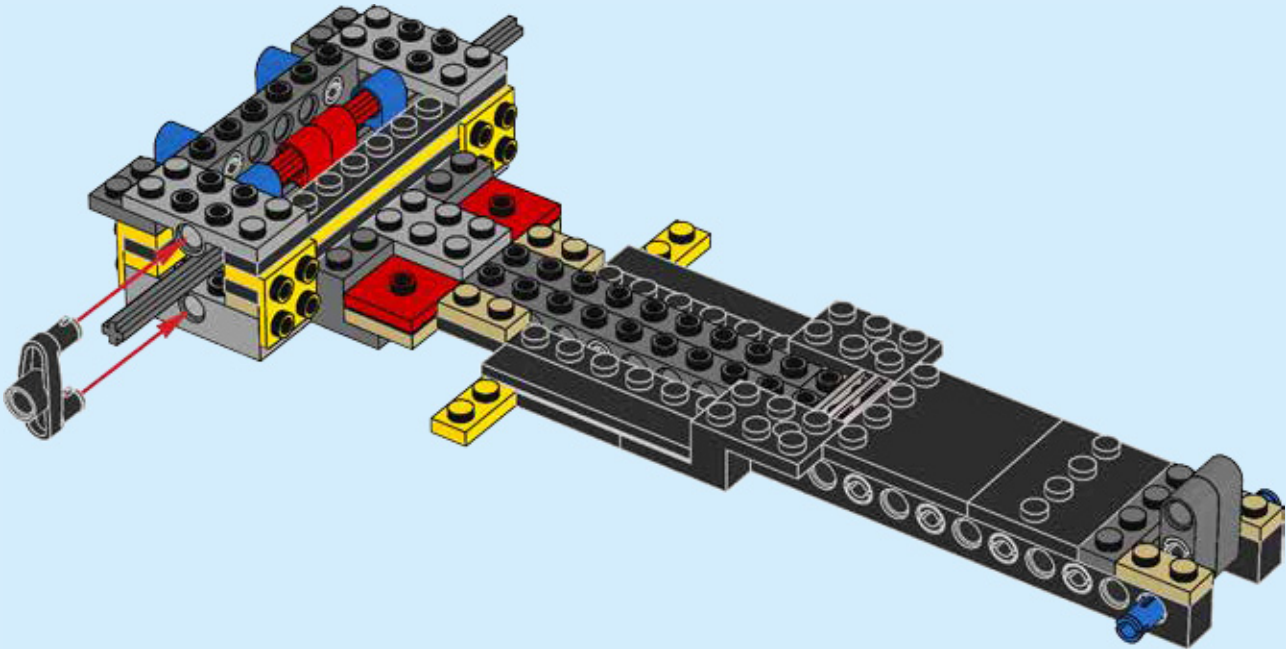


23





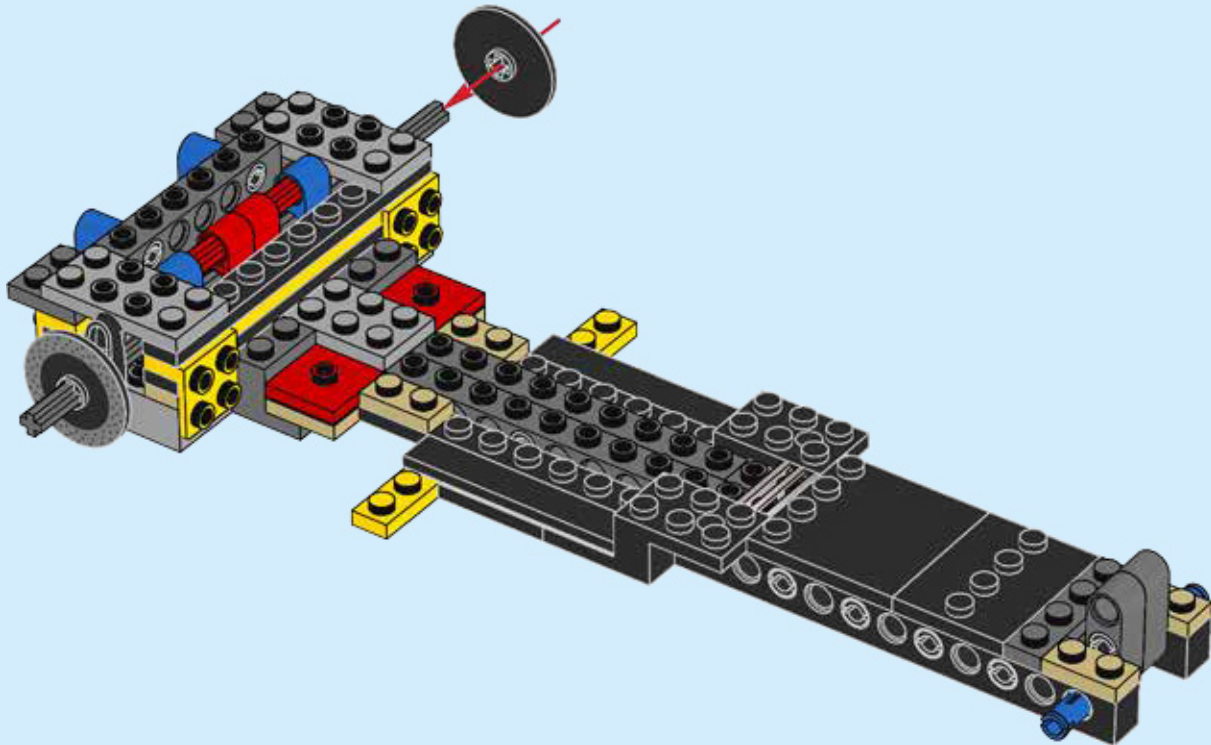
24

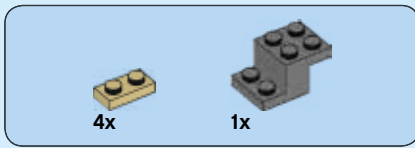




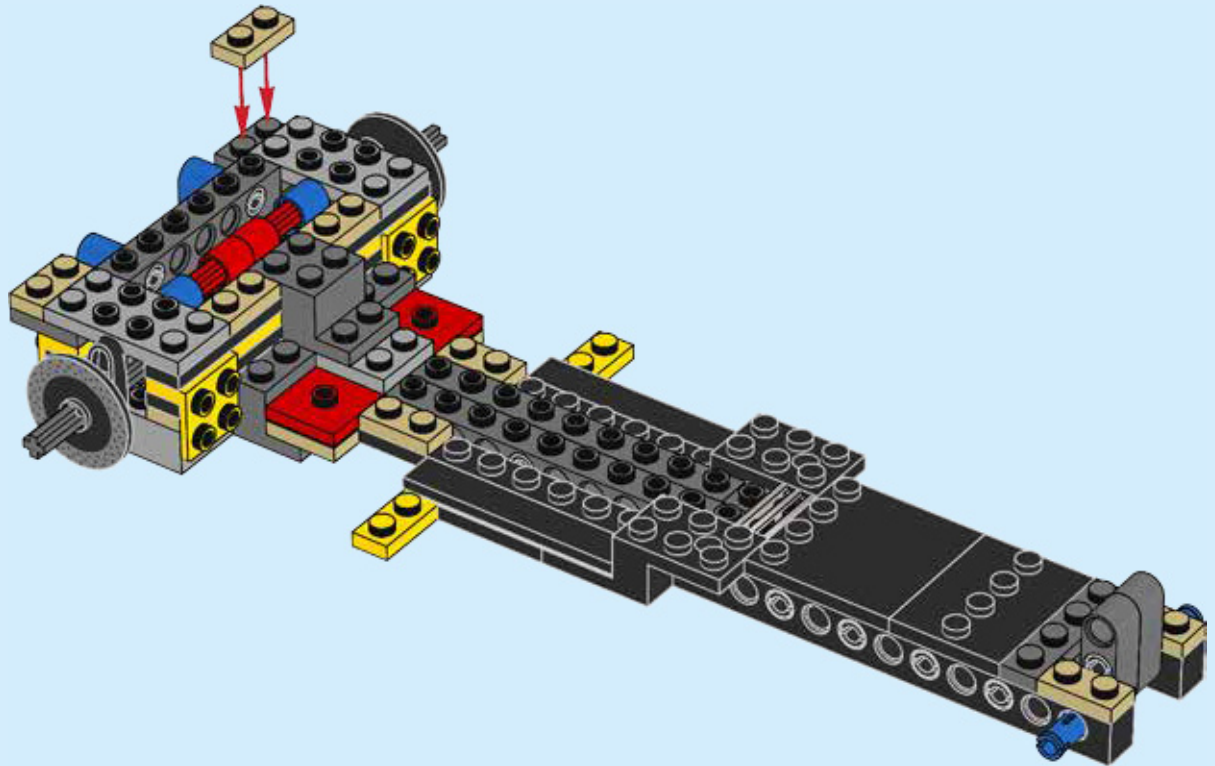
2x

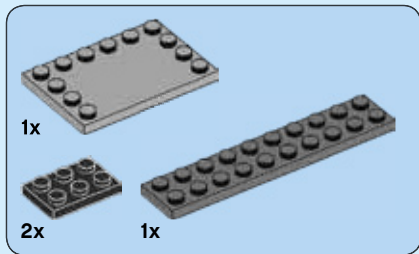
25



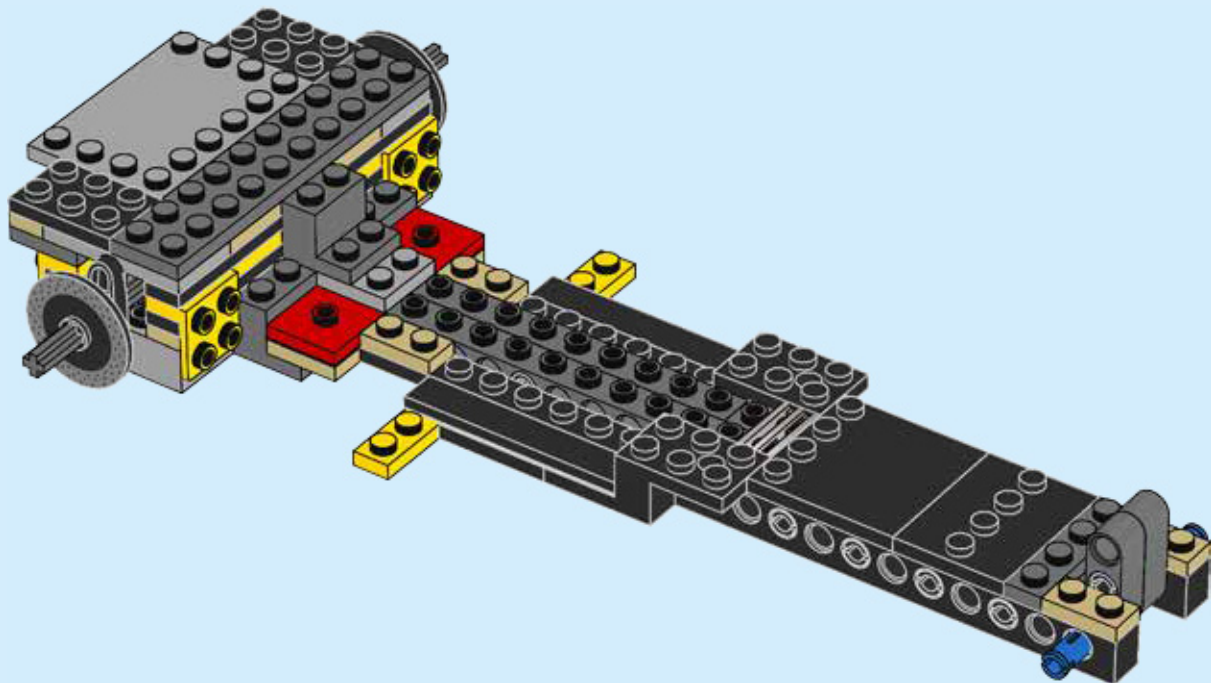


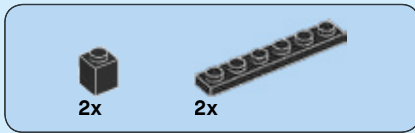
26



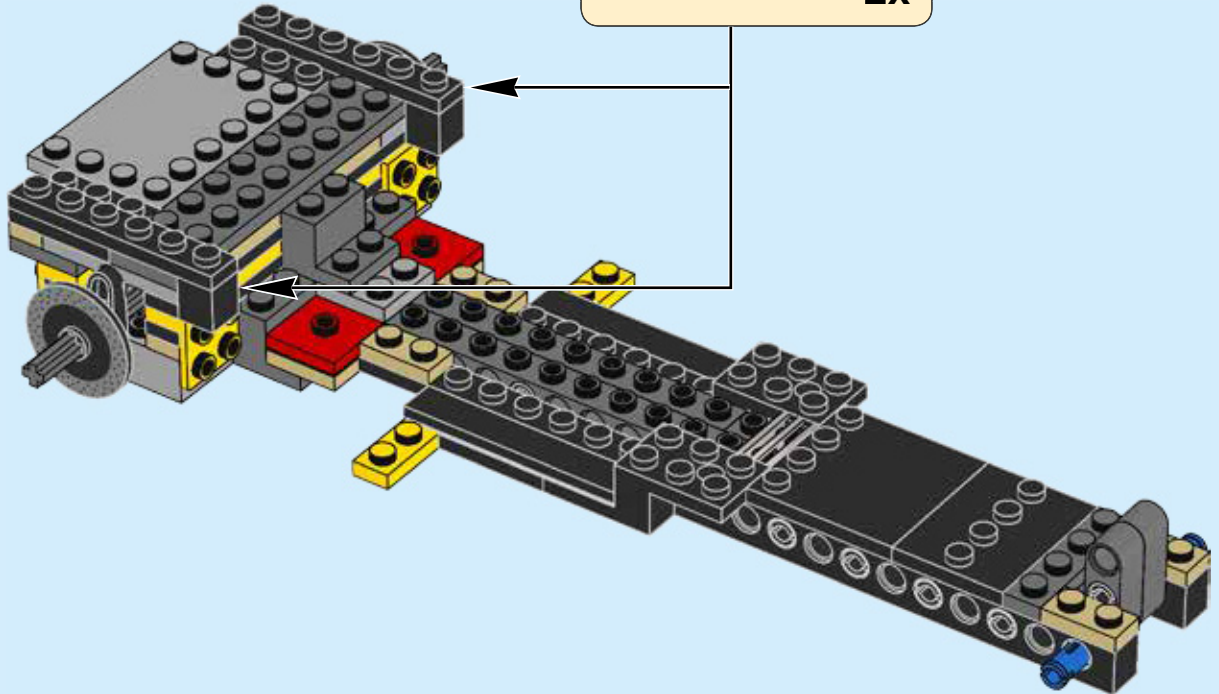
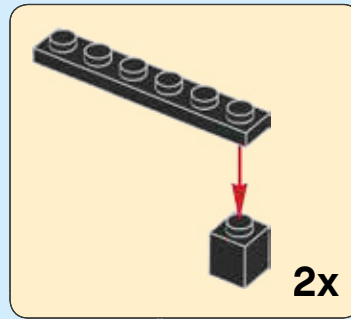


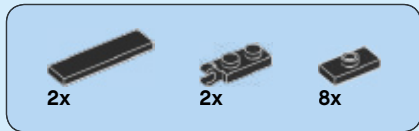
27



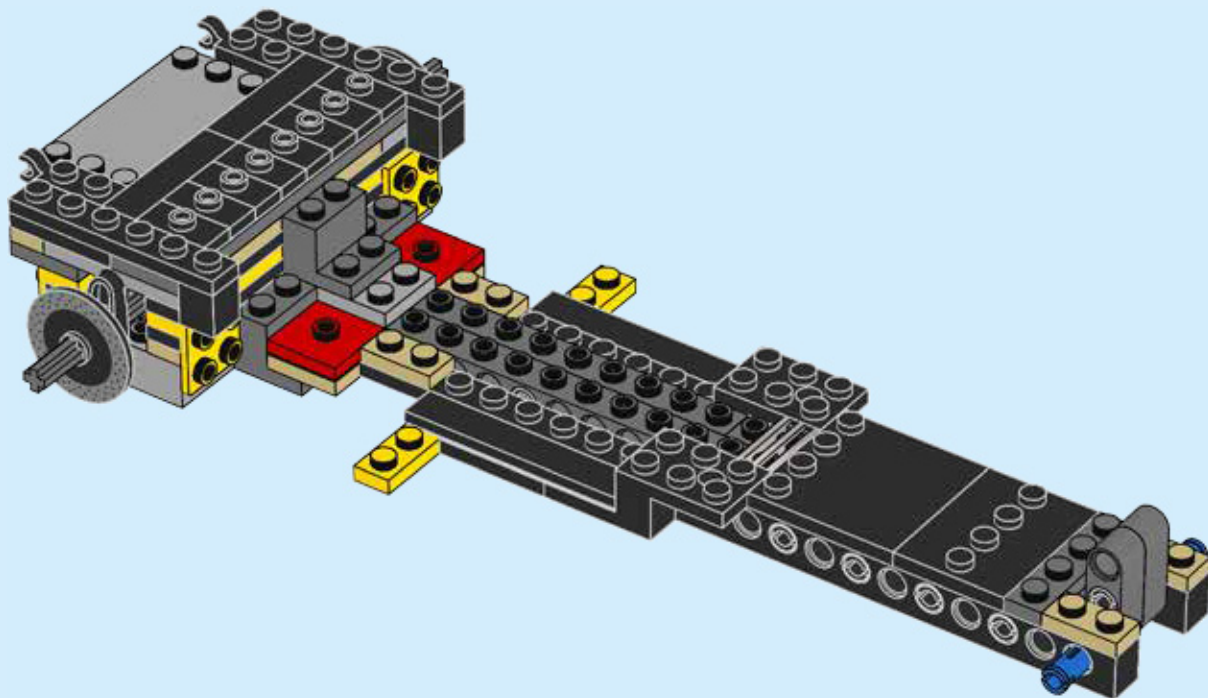


28



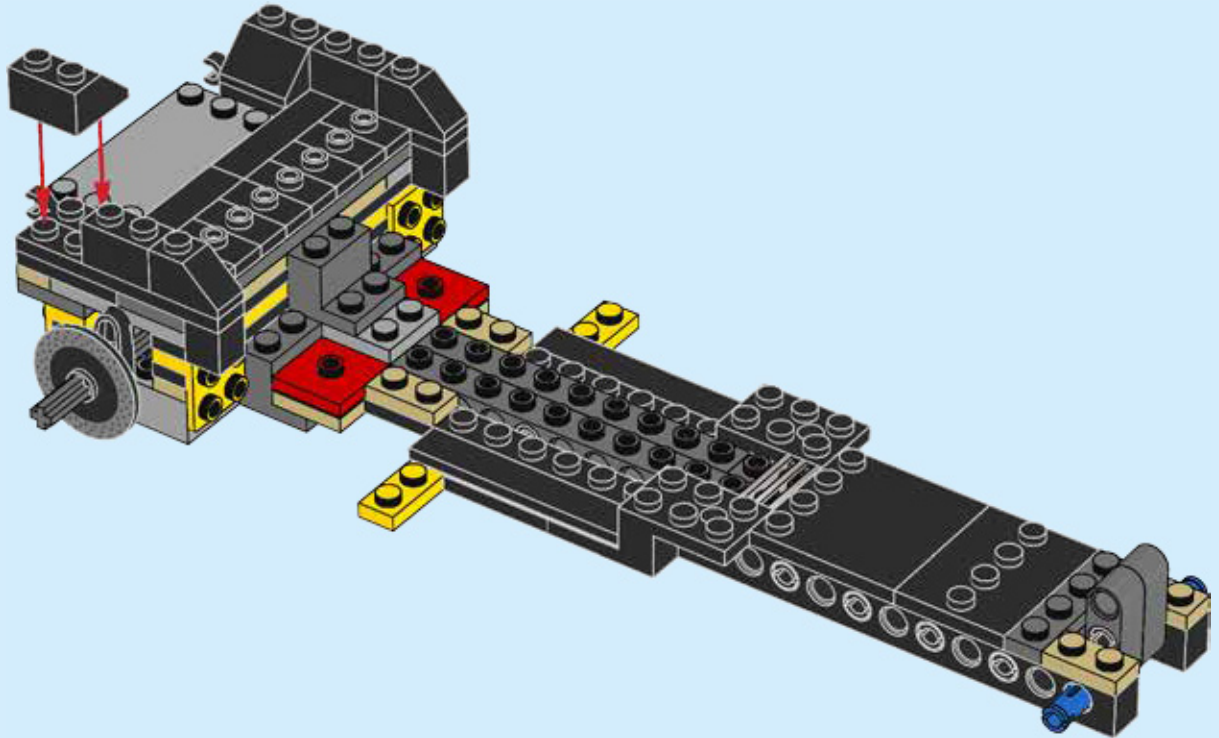


29





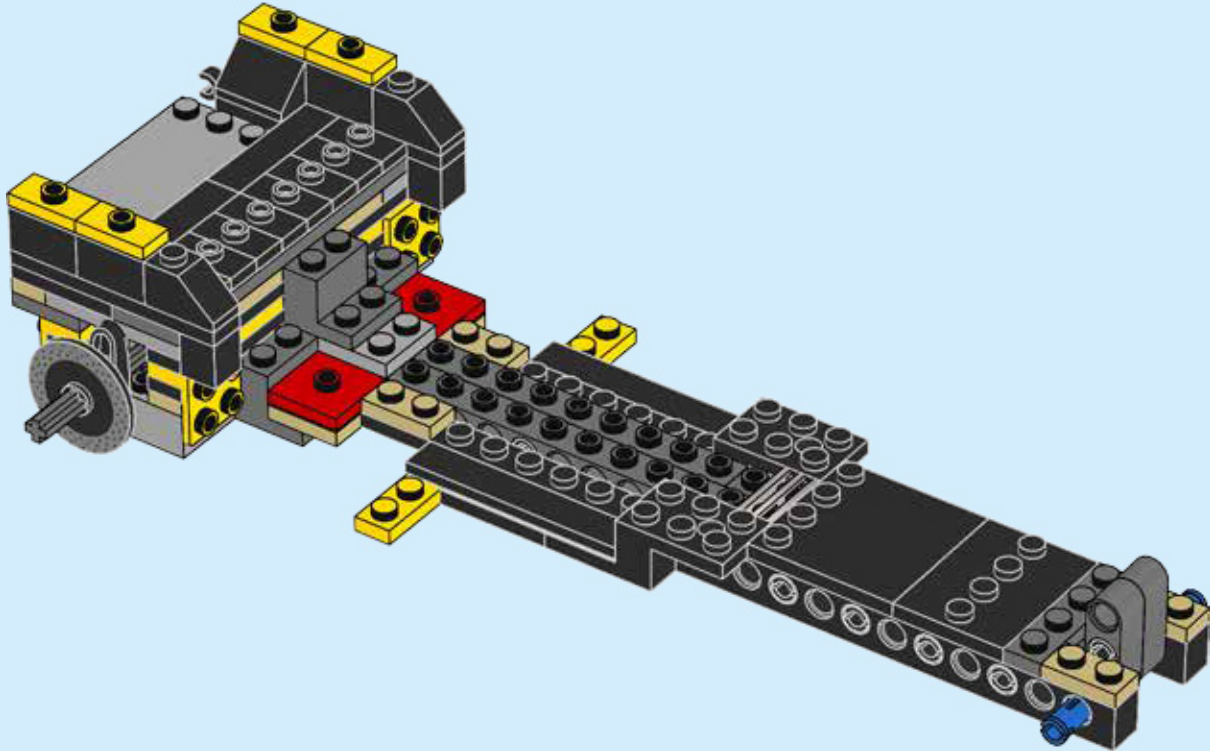
30





4x

31



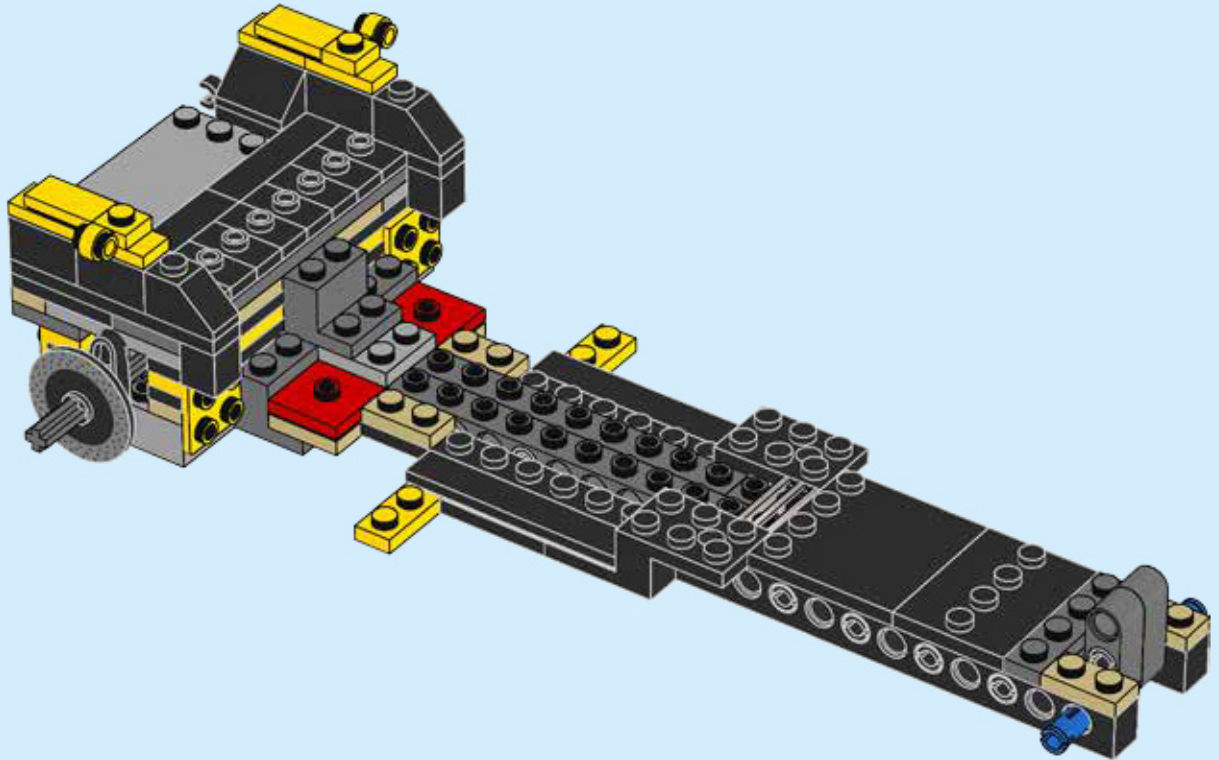


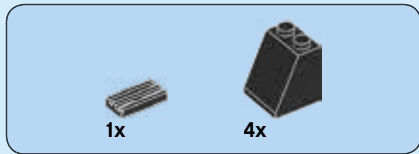
2x



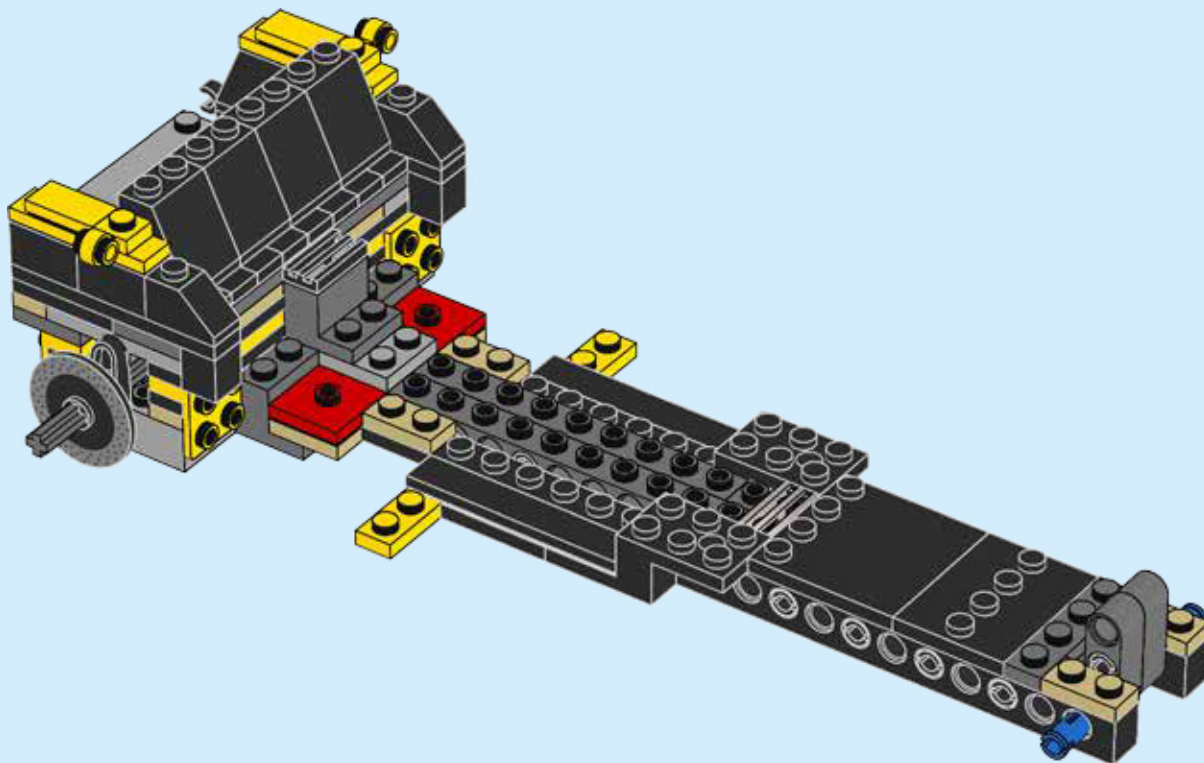
2x

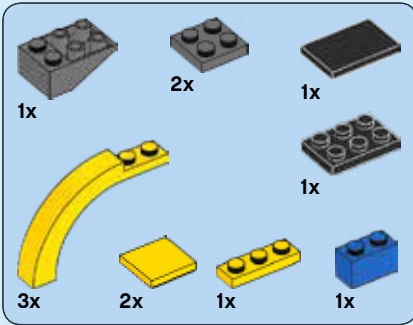
32



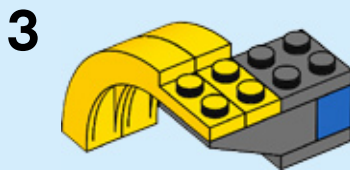
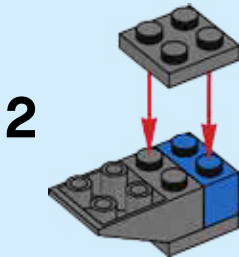
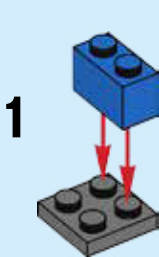


33

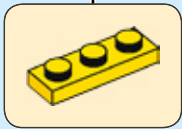




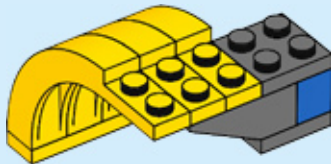
34



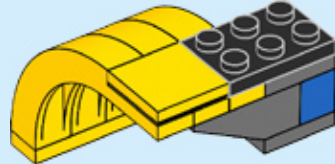
4



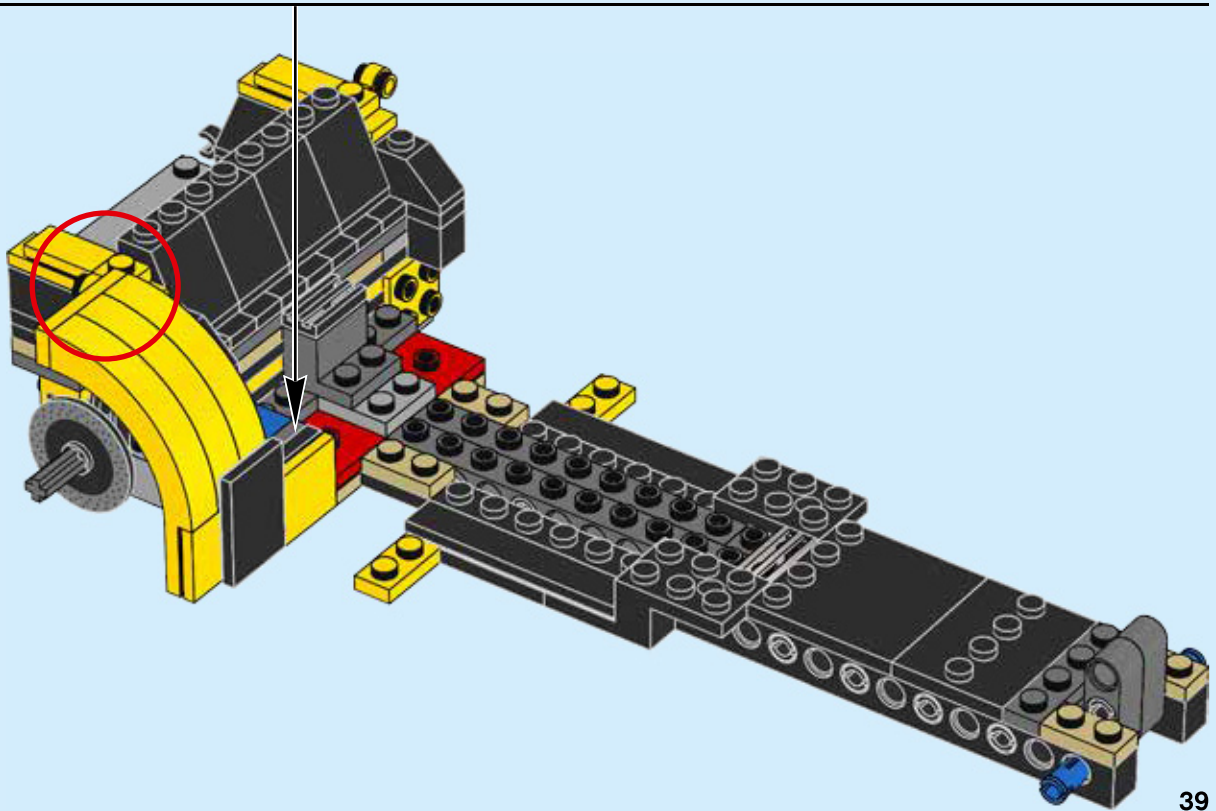
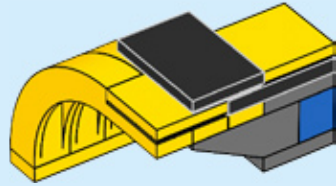
5

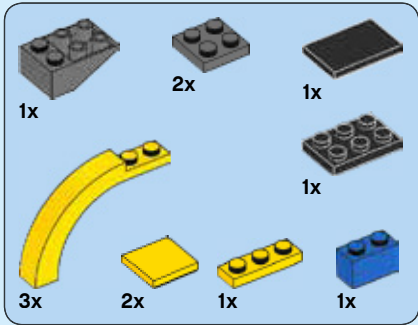


6

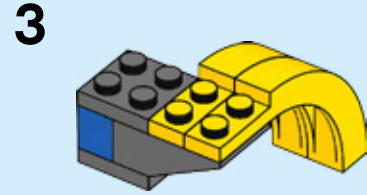
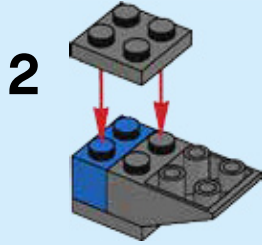
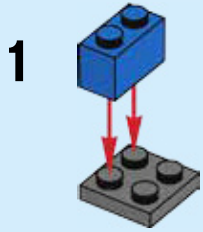


7

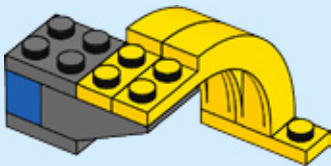




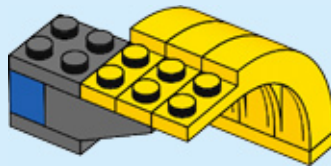
35



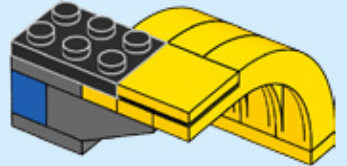
4



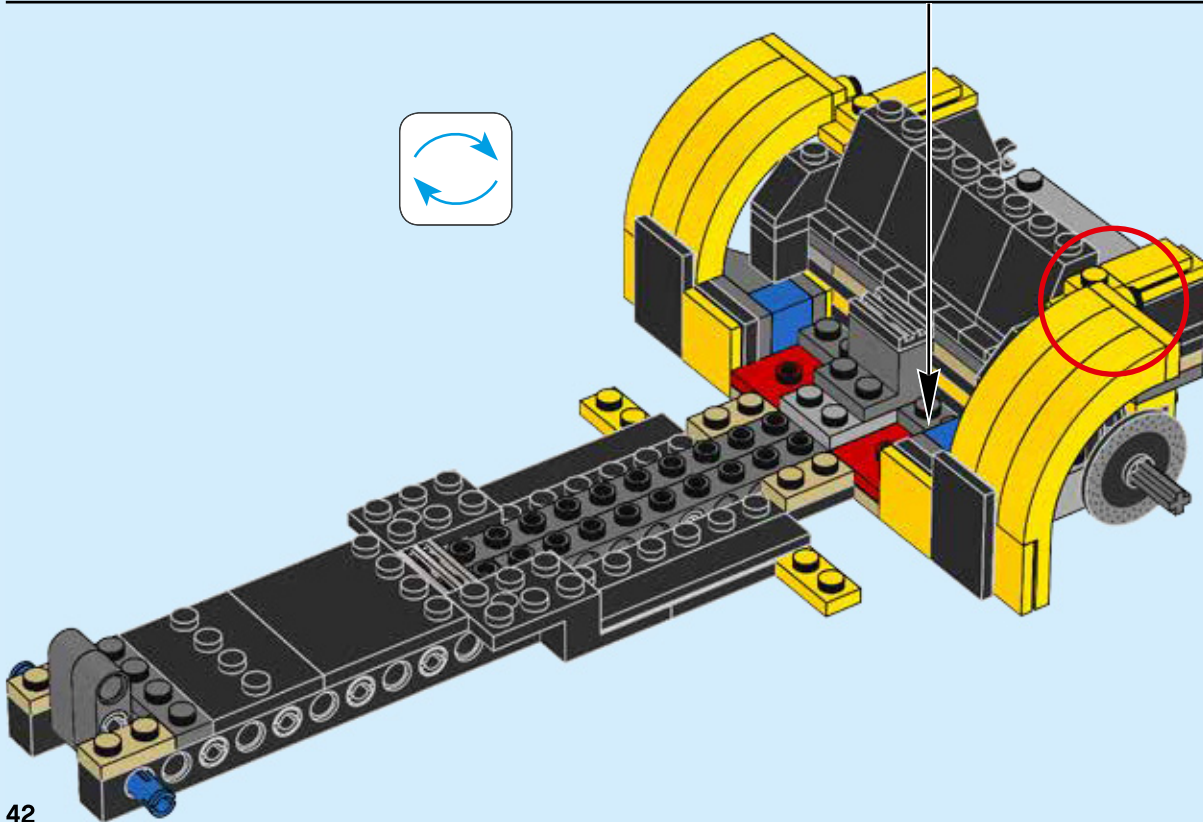
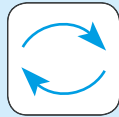
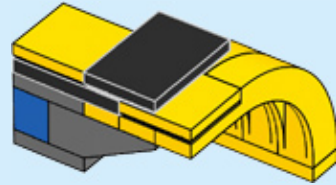
5

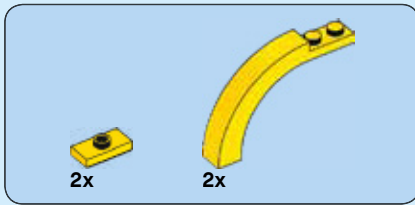


6

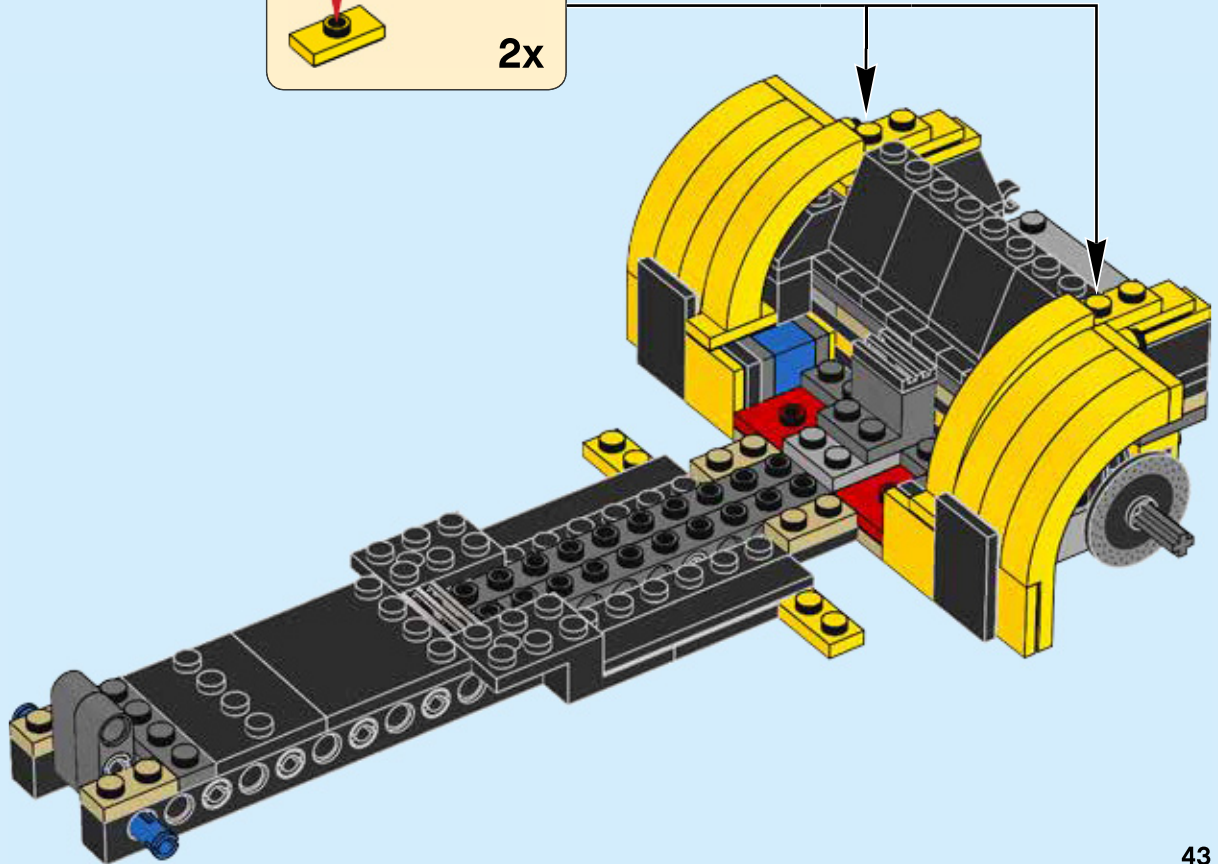
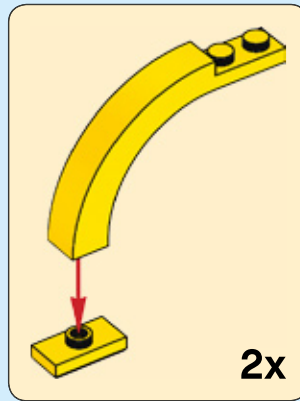


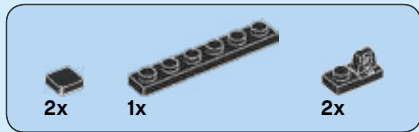
7



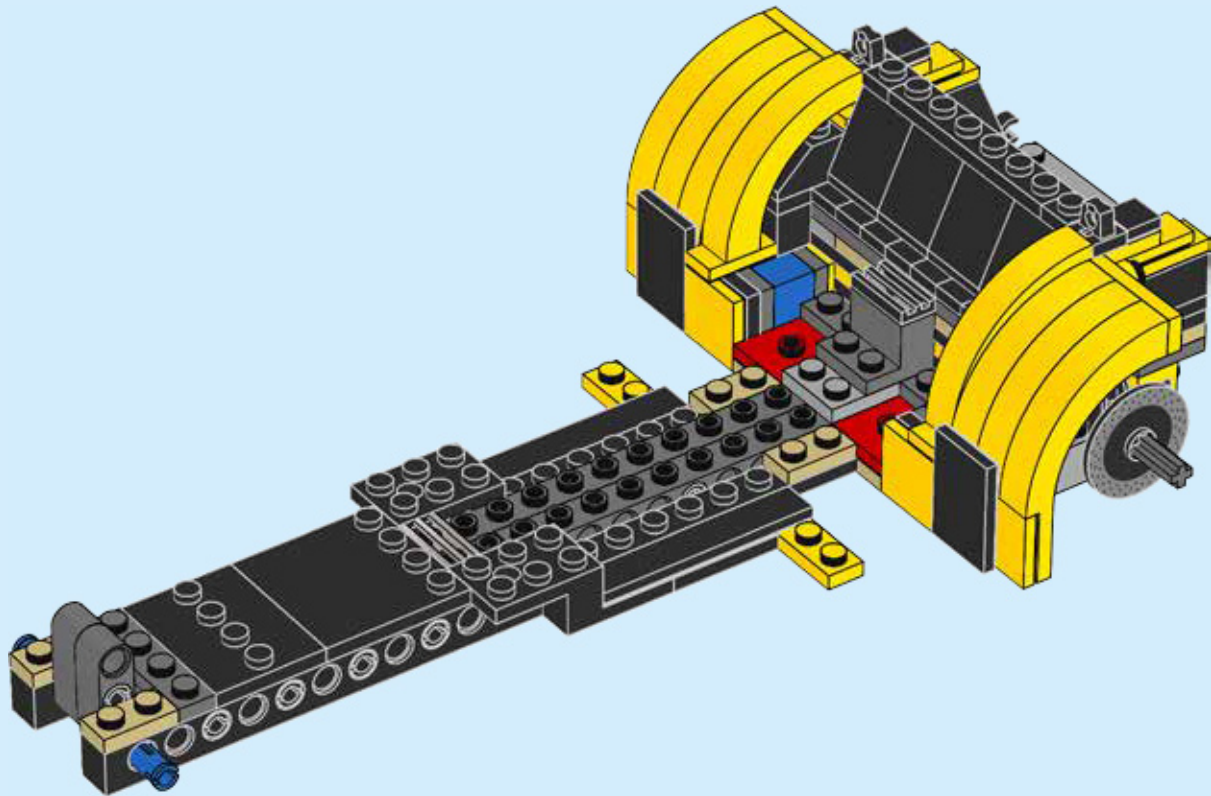


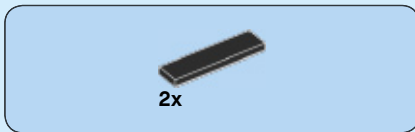
36



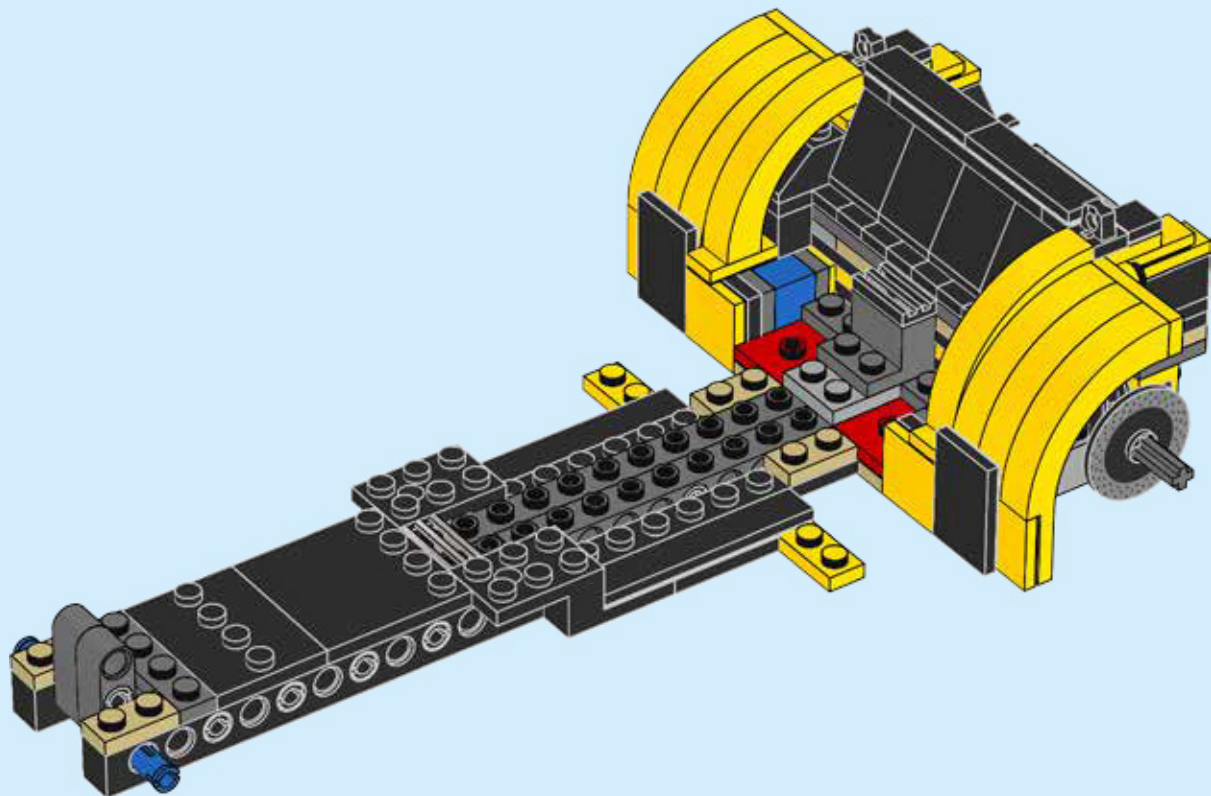


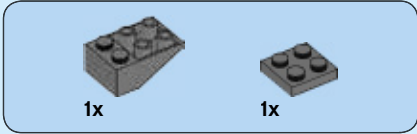
37



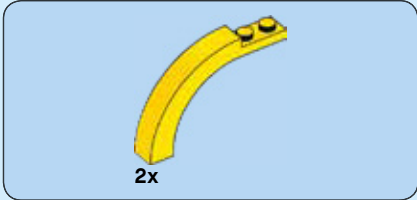
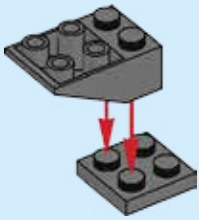


38

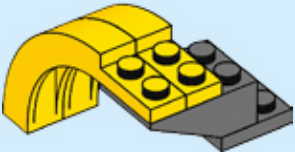




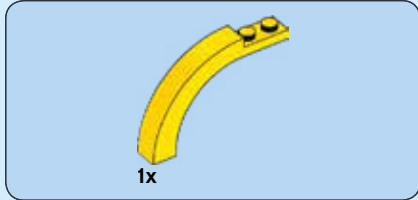
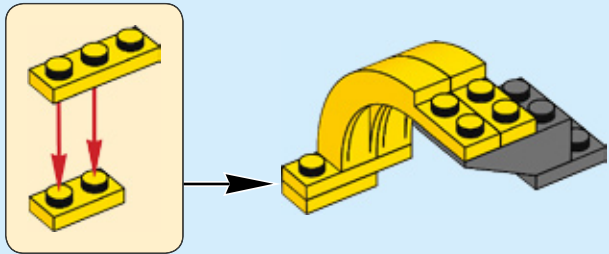
39



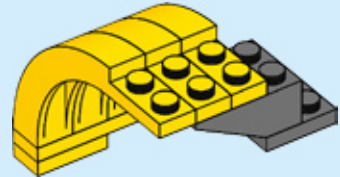
40



41

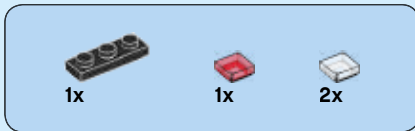
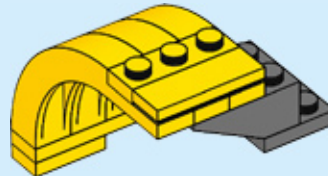


42

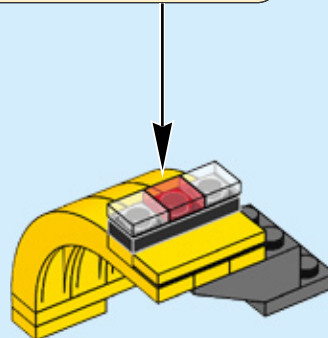
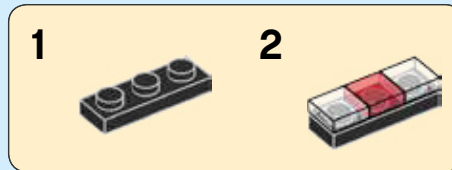




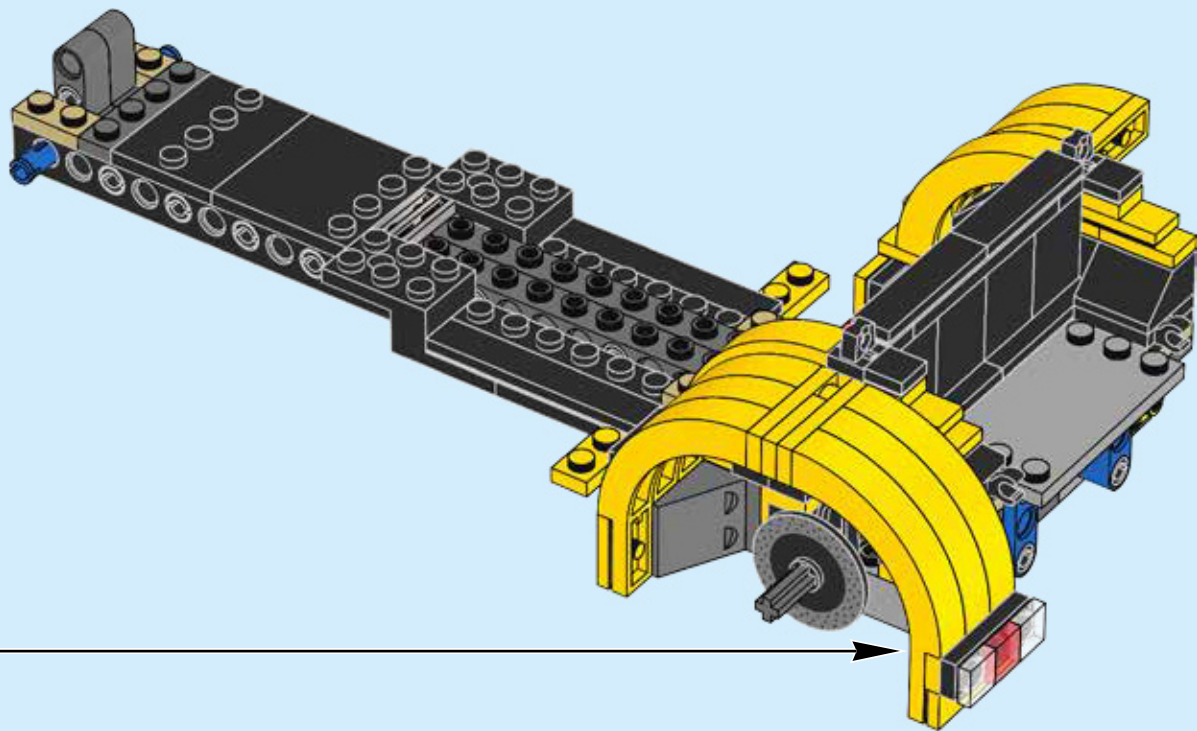
43

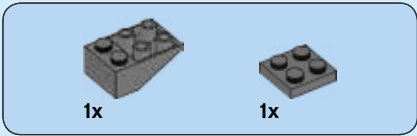


44

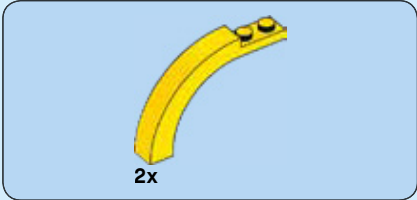
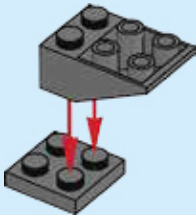


45

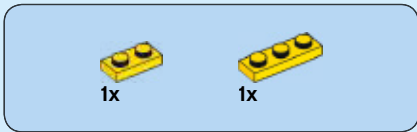
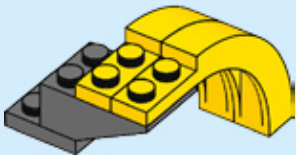




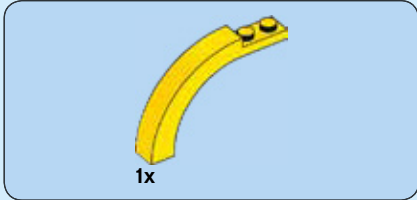
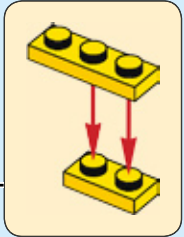
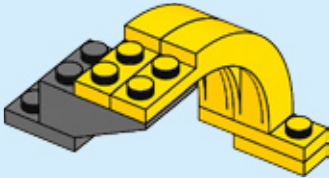
46



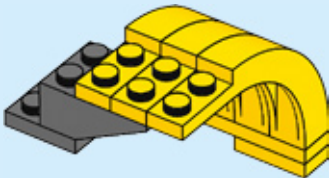
47

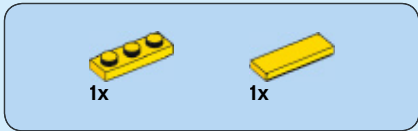


48

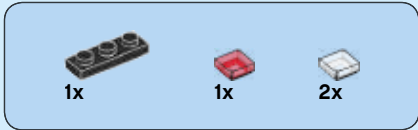
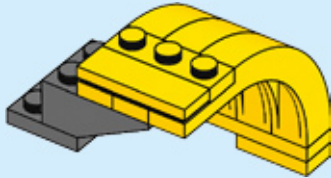


49

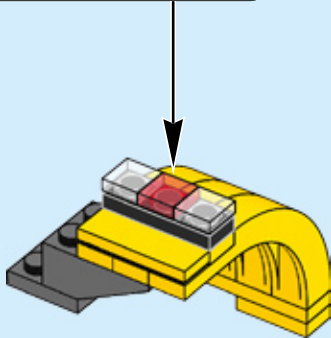
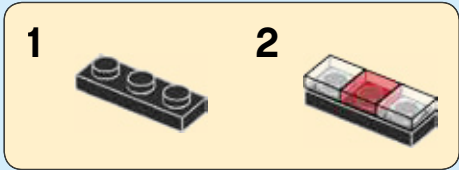




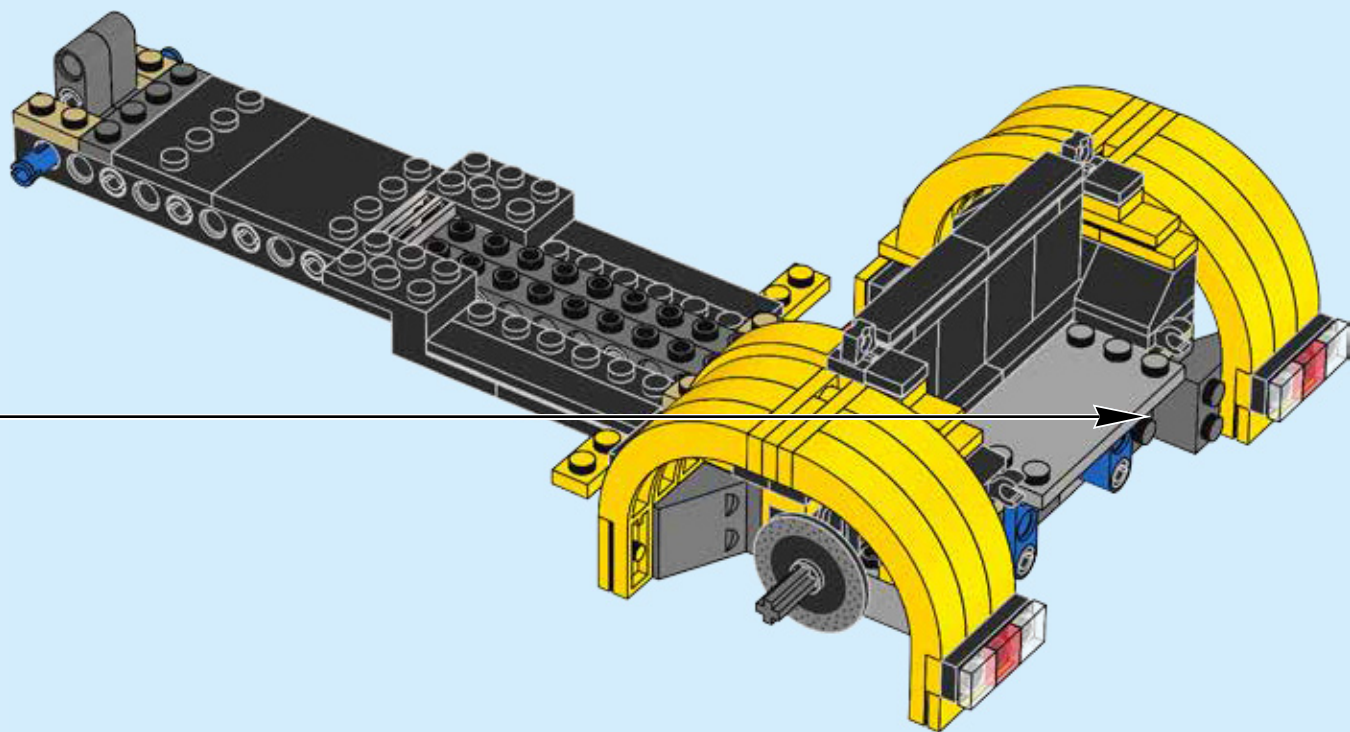
50

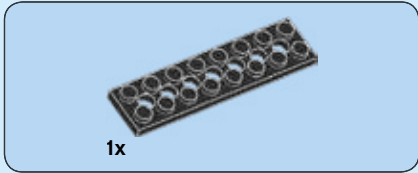


51



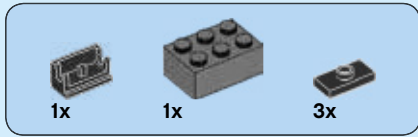
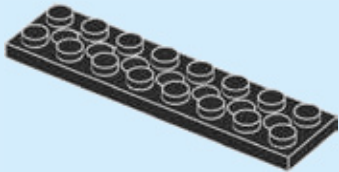
52





1x

53

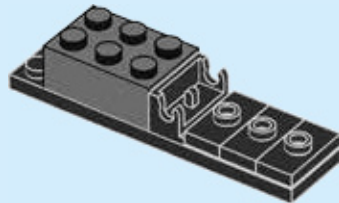


1x

1x

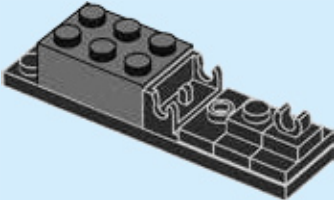
3x

54

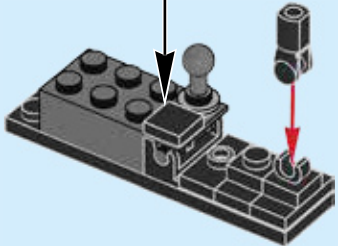




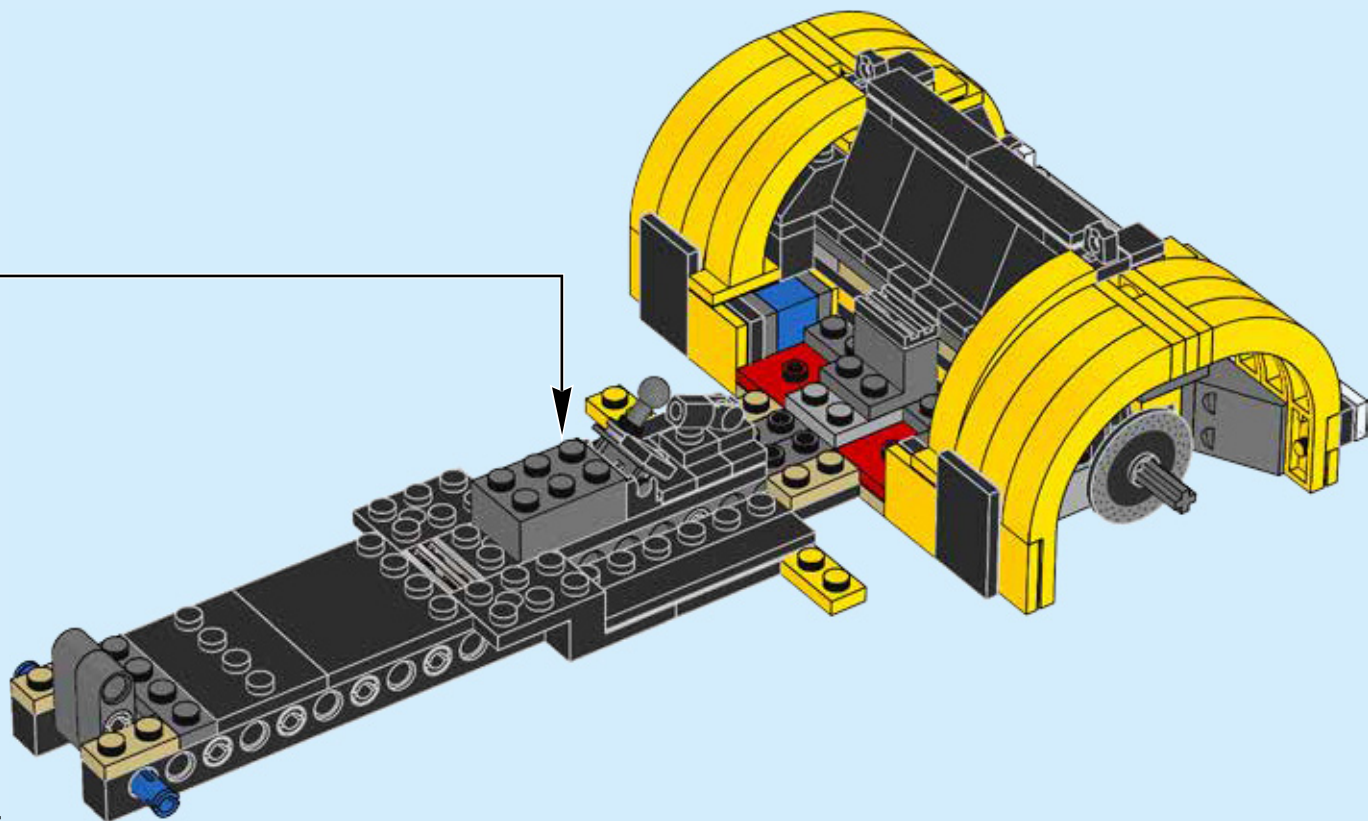
55



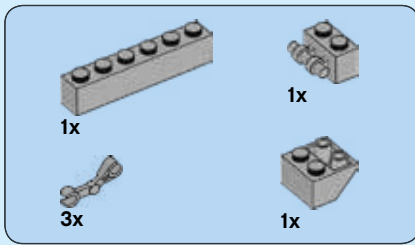
56



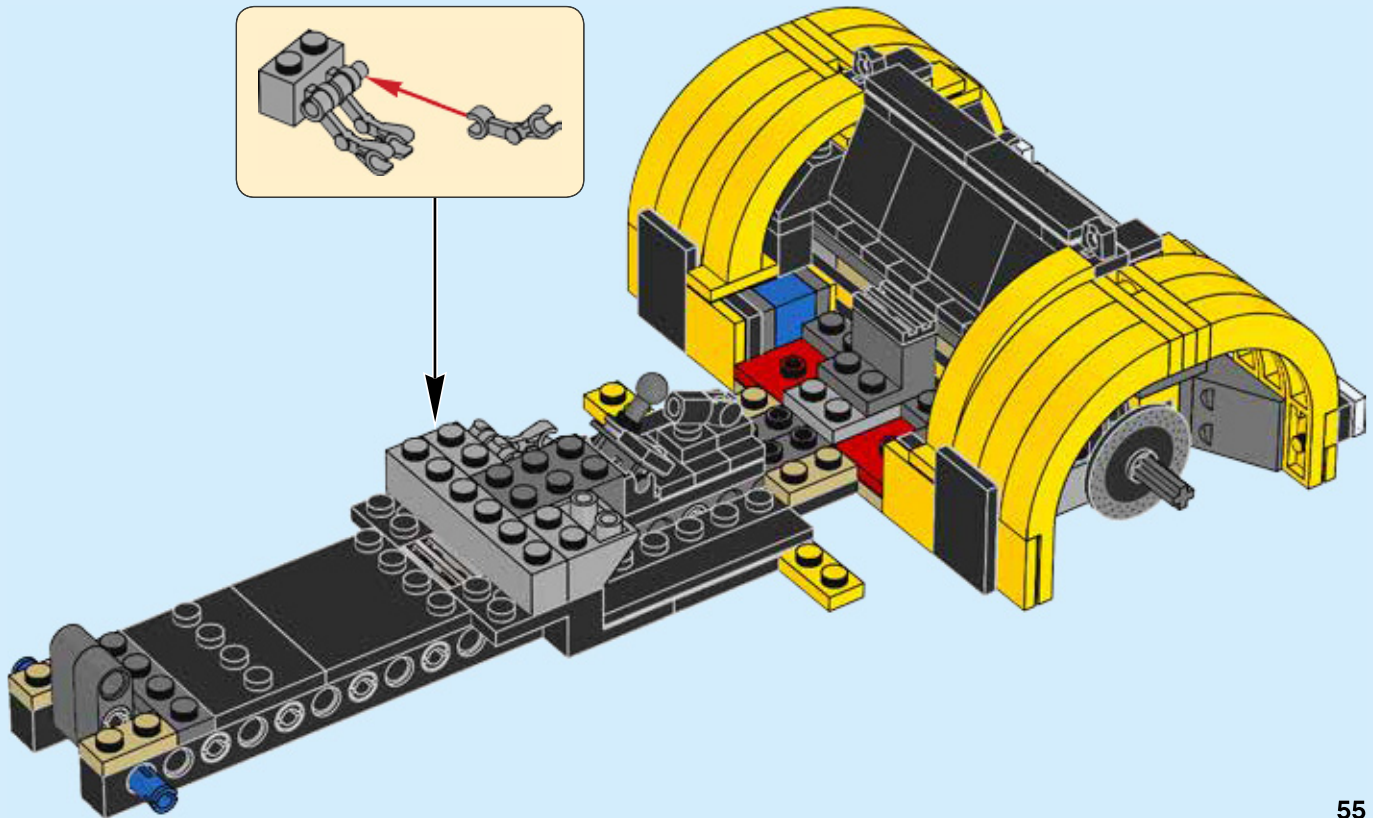
57

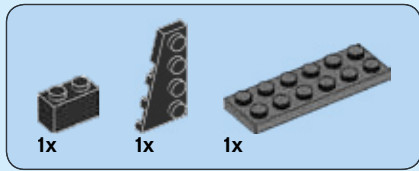


54

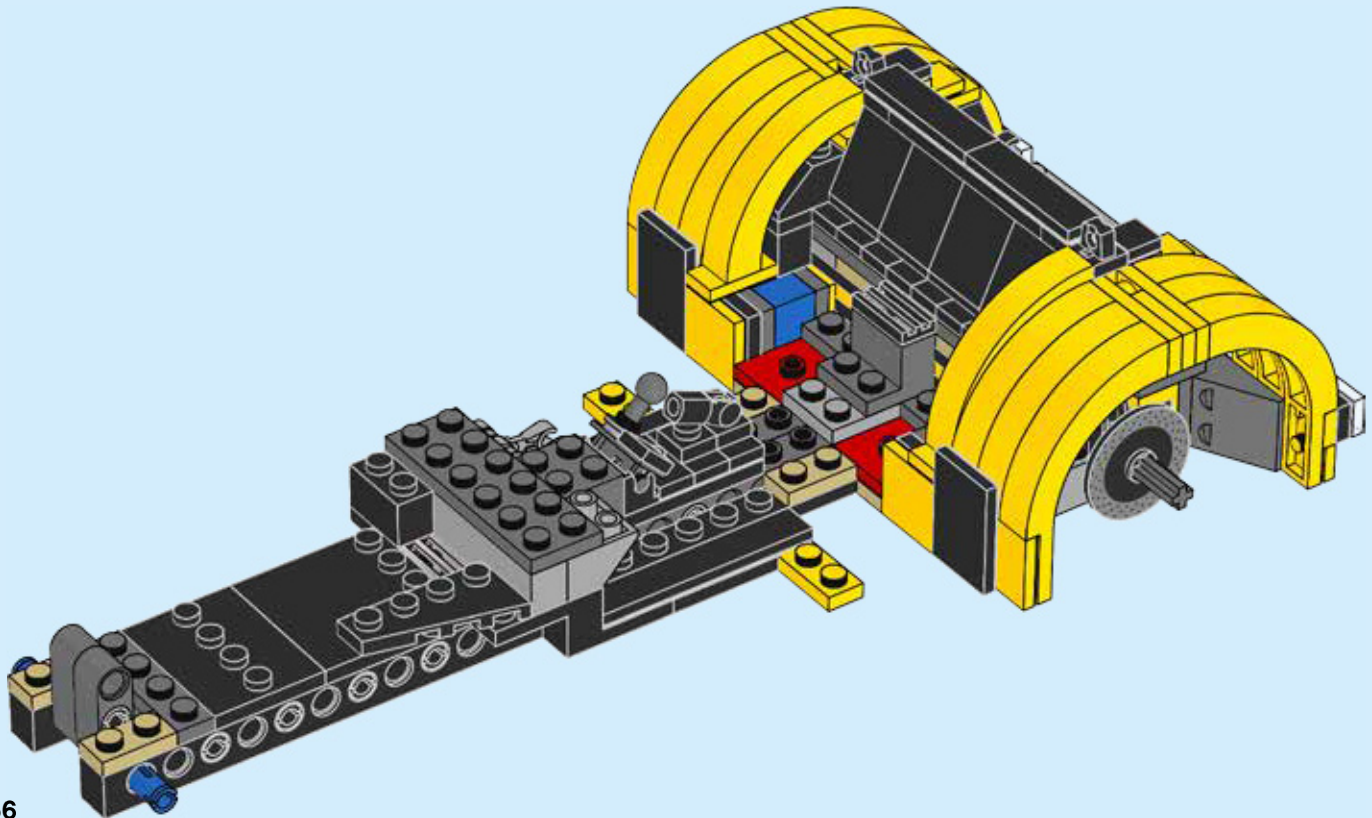


58





59



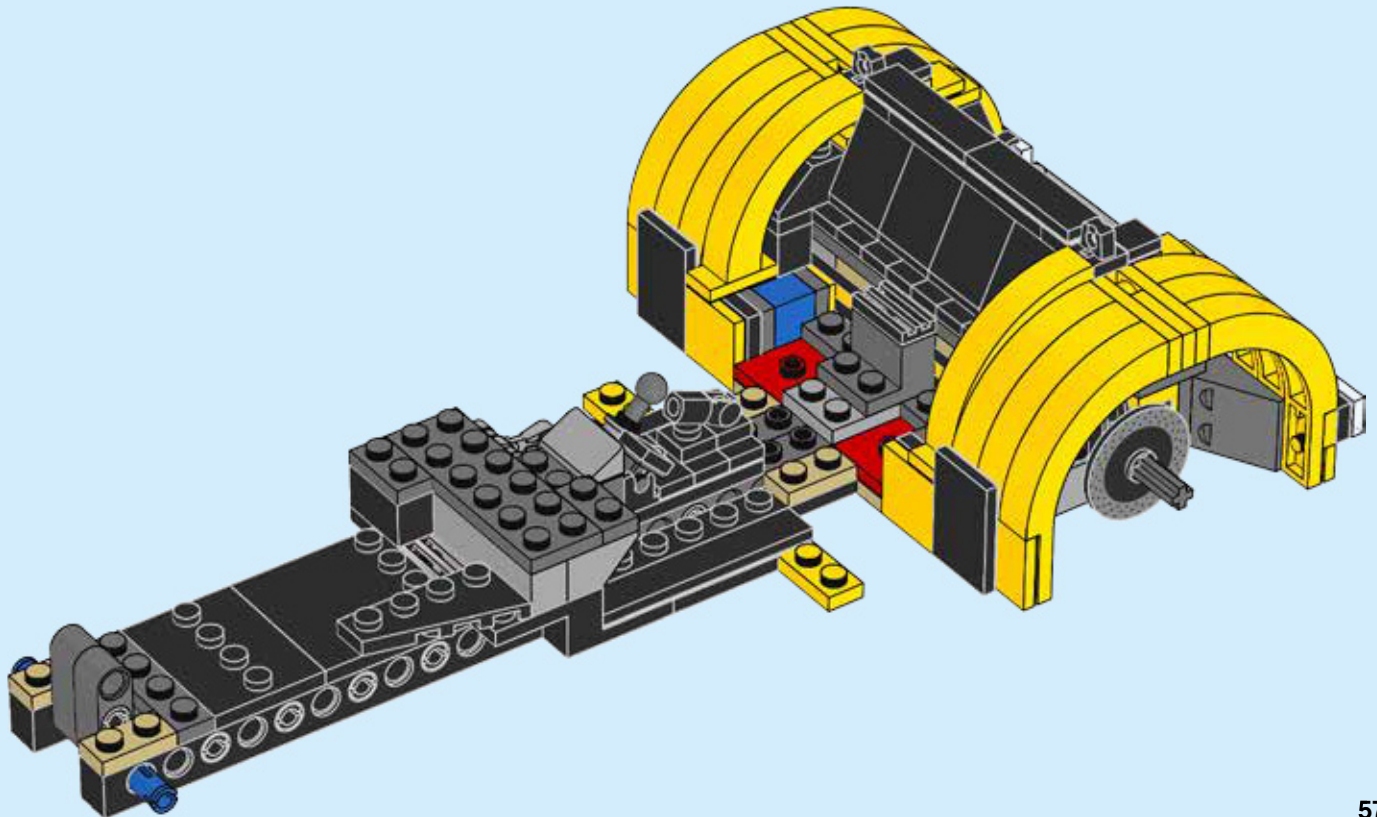


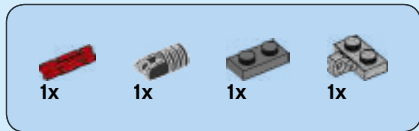
2x



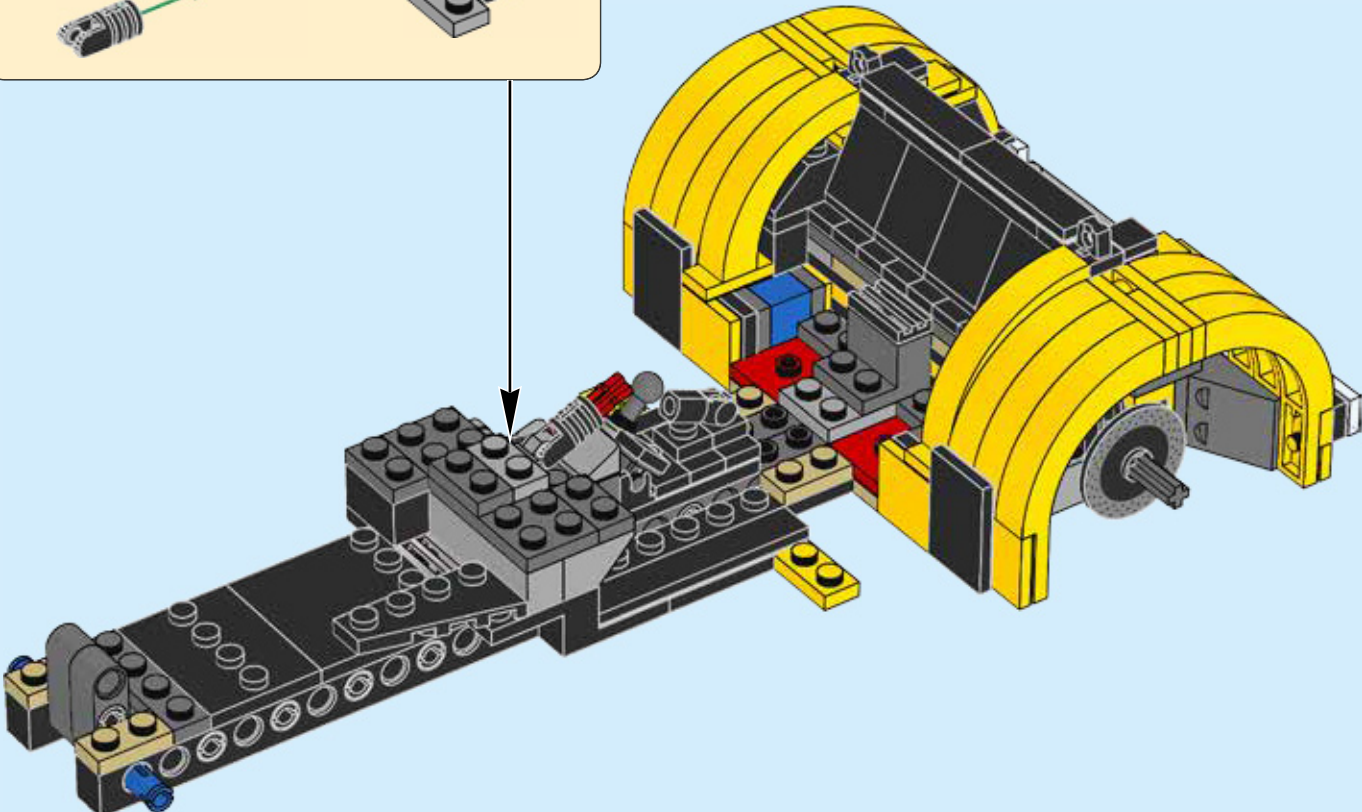
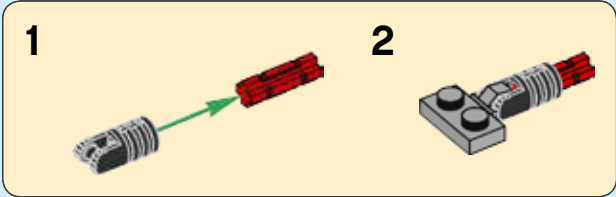
1x

60



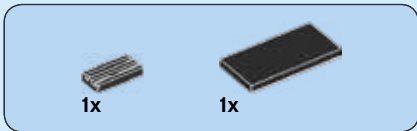
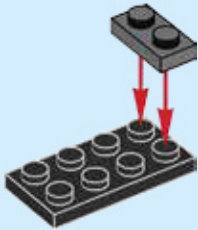


61

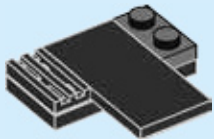




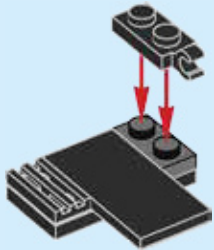
62



63



64



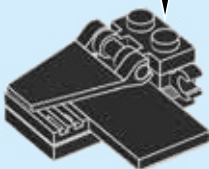
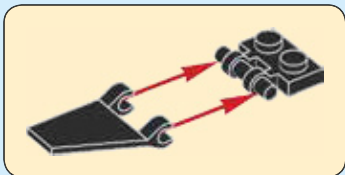


1x



1x

65

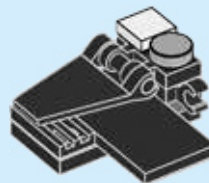


1x

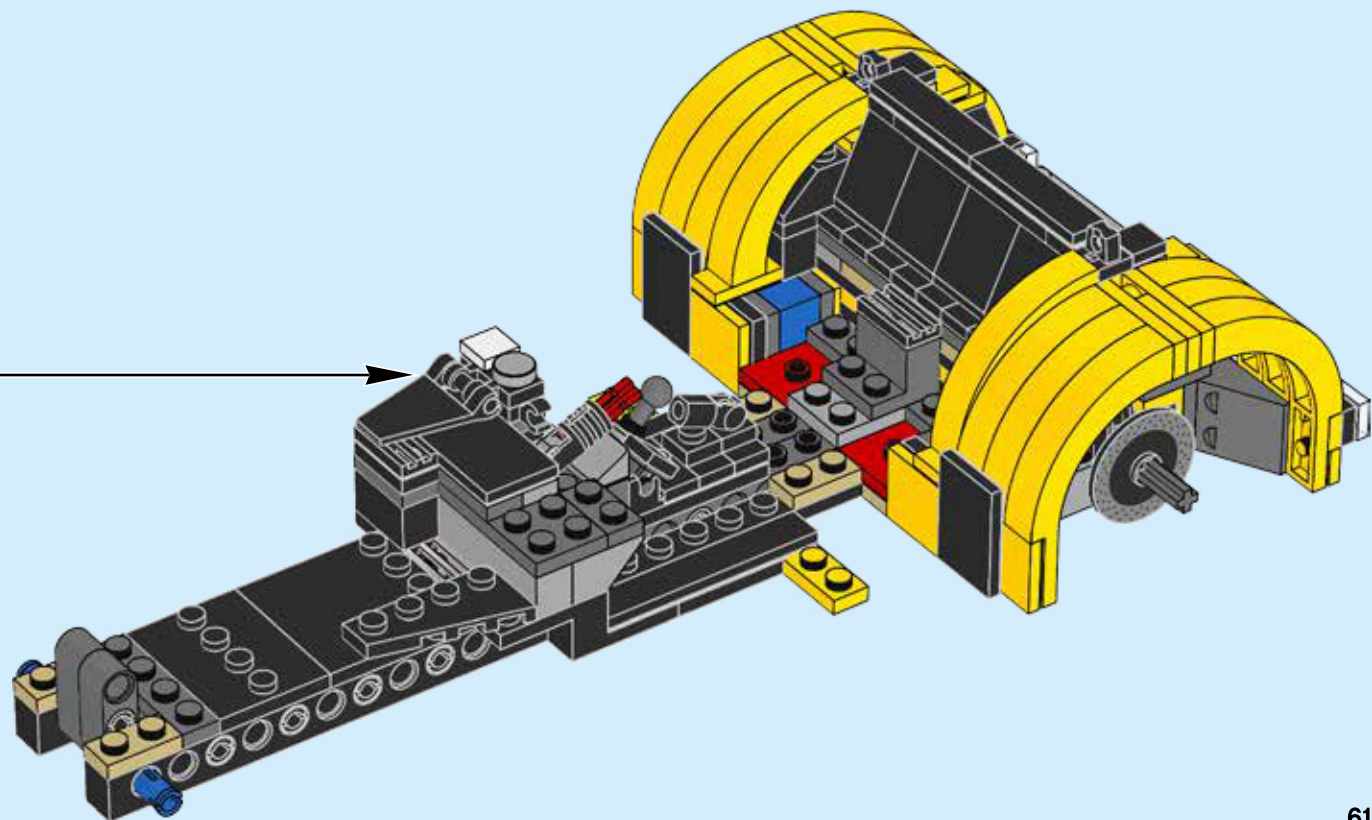


1x

66

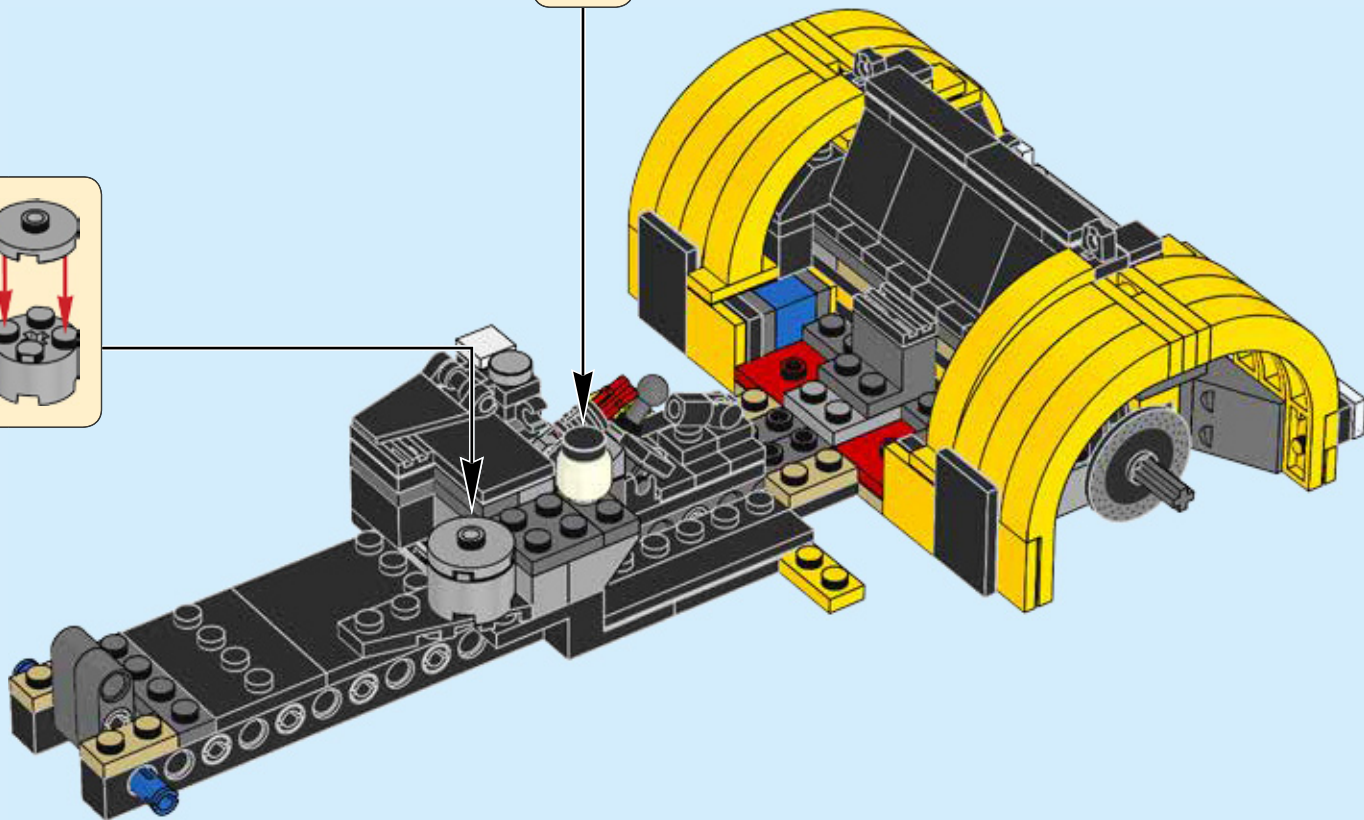
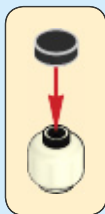
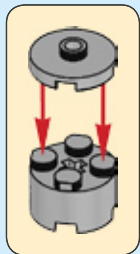


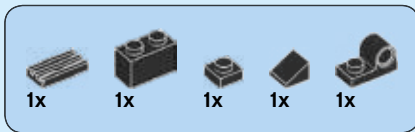
67



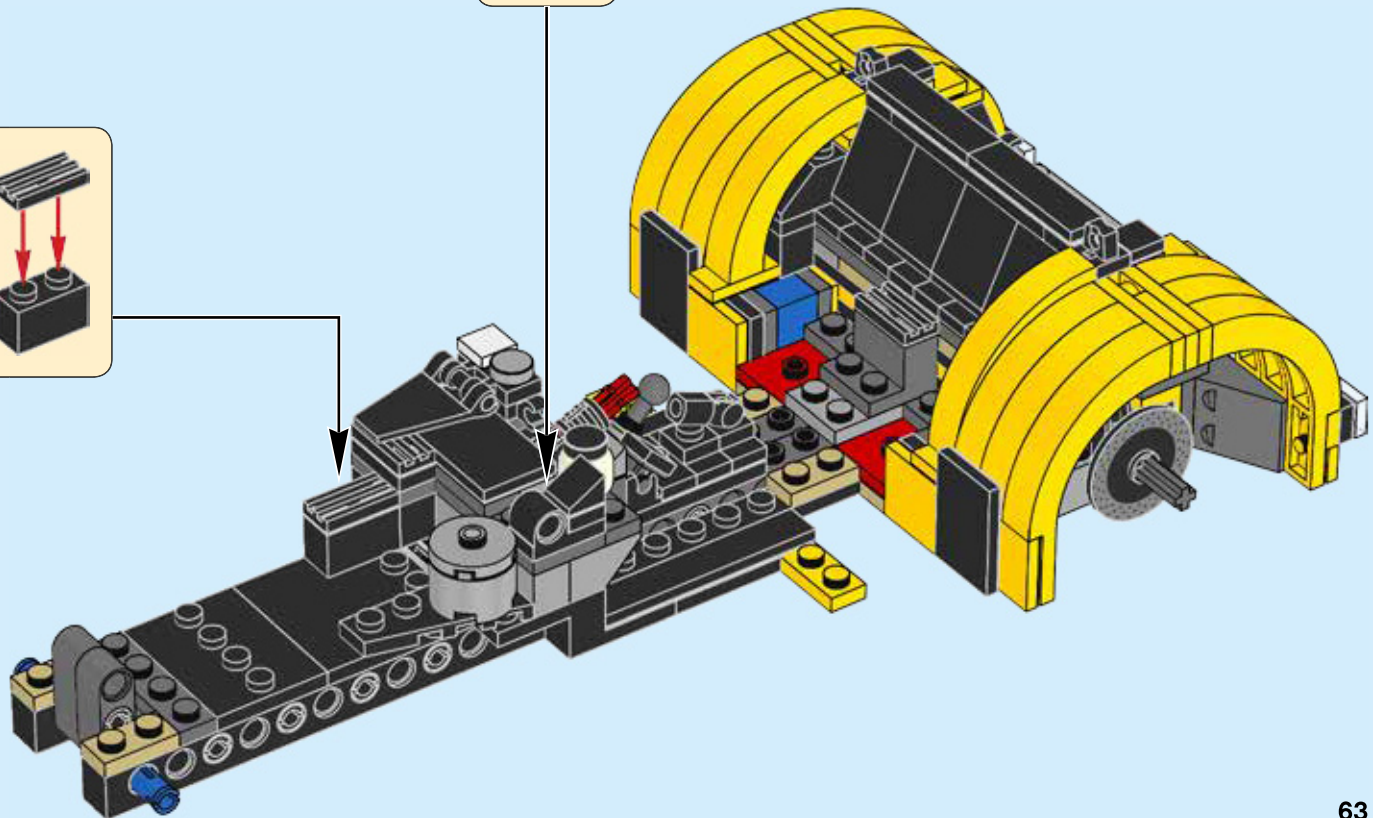
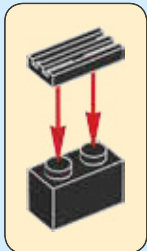
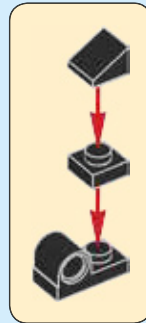


68



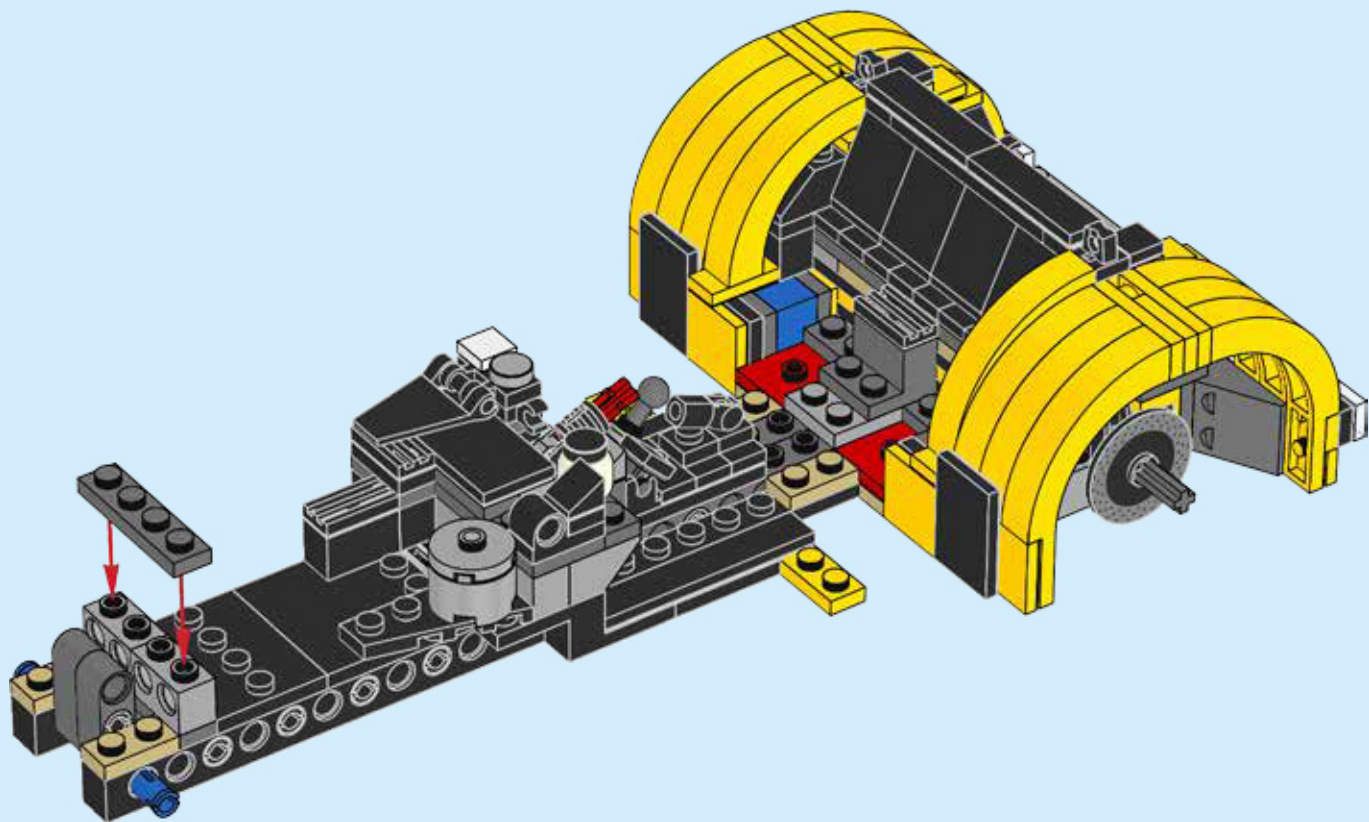


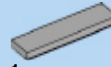
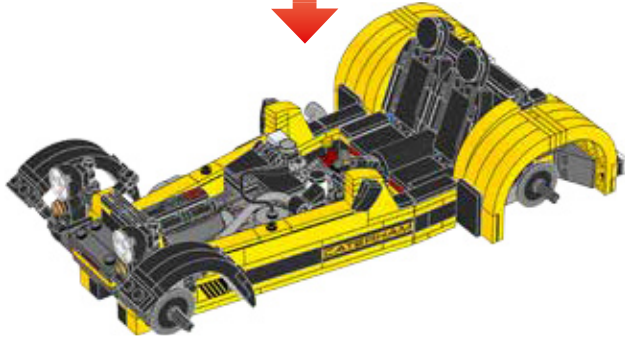
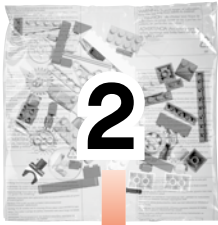
69





70



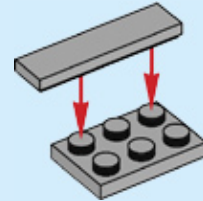


1x



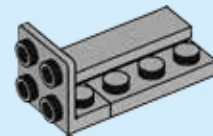
1x

71



1x

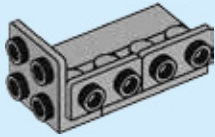
72





2x

73



1x



1x

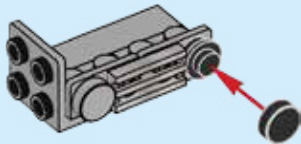


1x



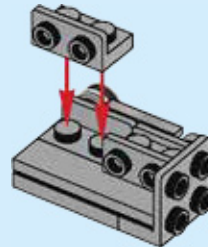
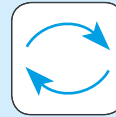
1x

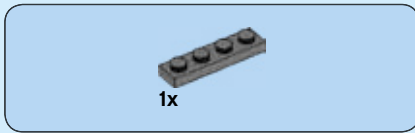
74



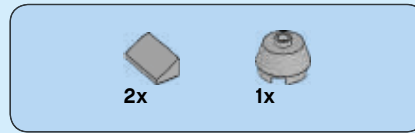
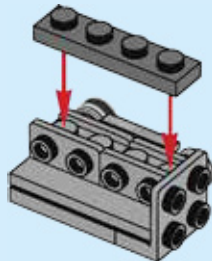
2x

75

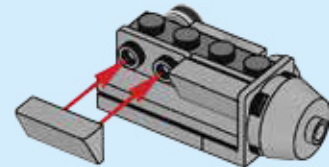




76

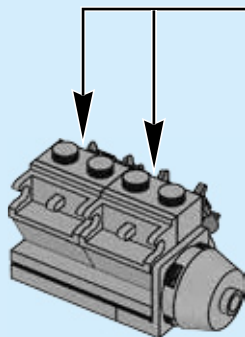
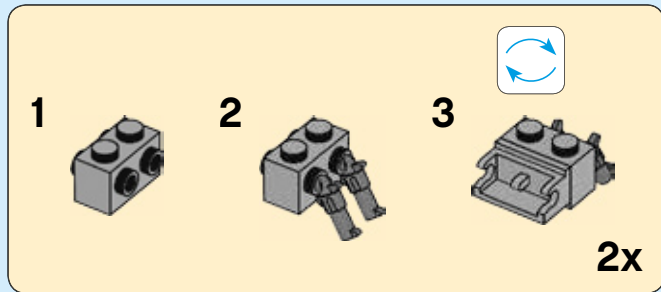


77

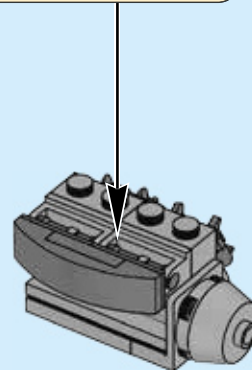
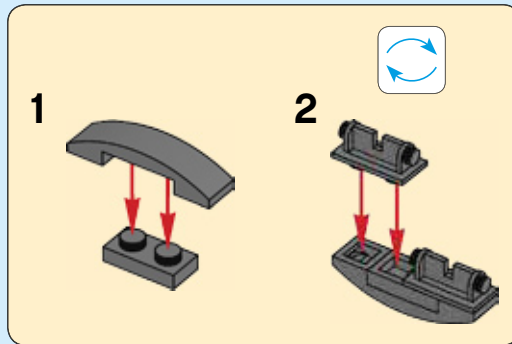


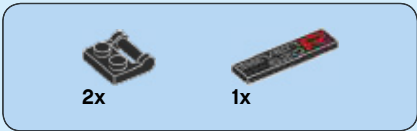


78

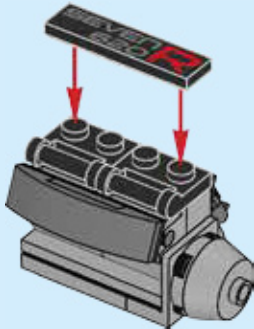


79

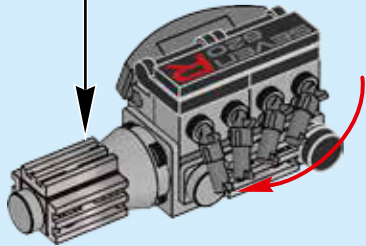
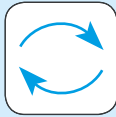
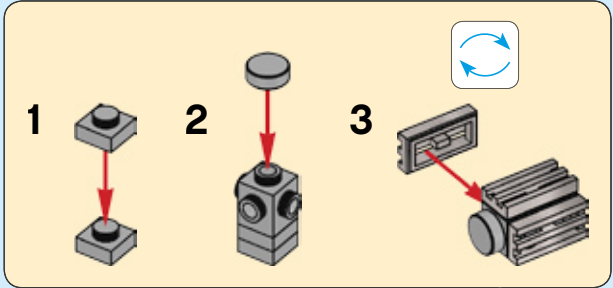




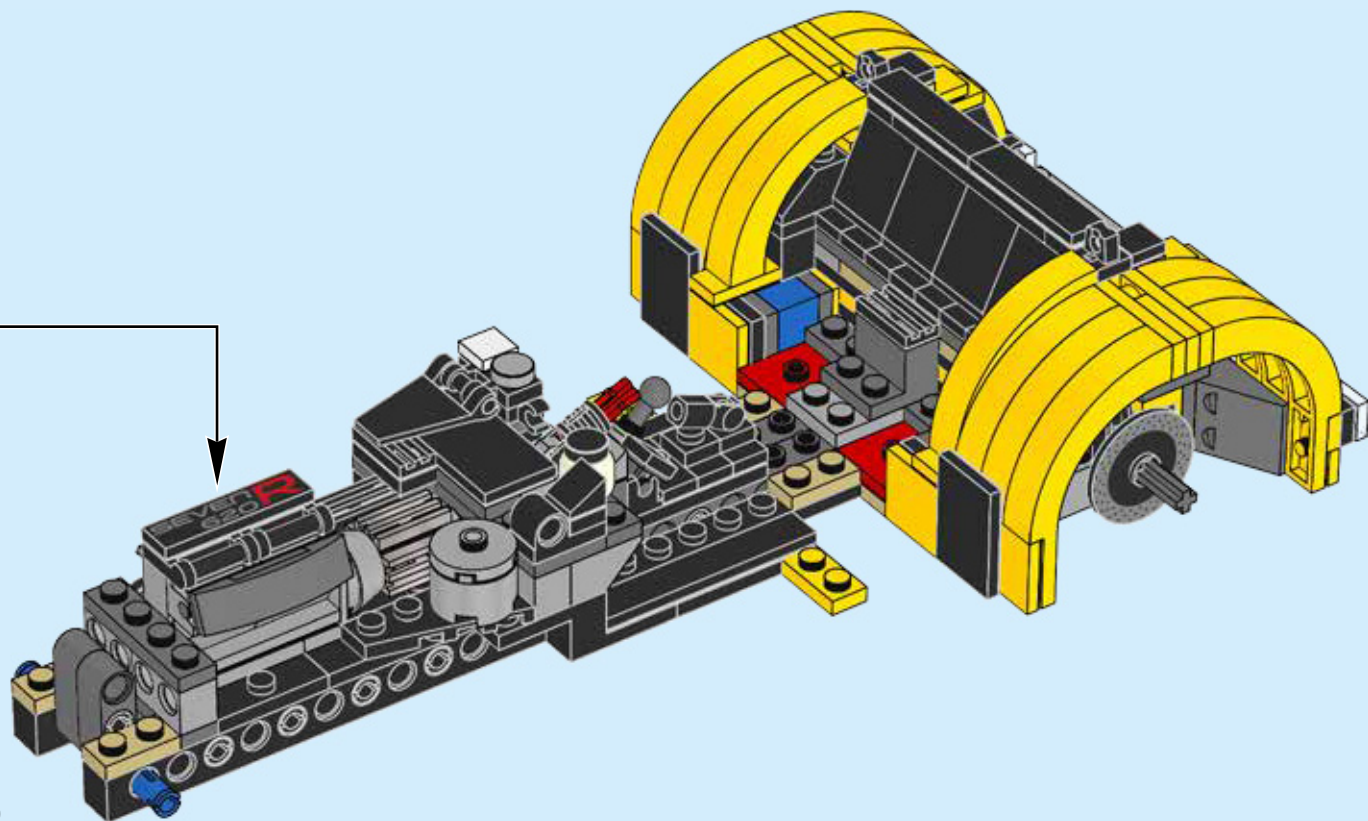
80

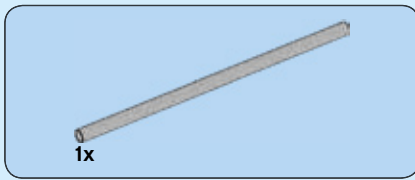


81

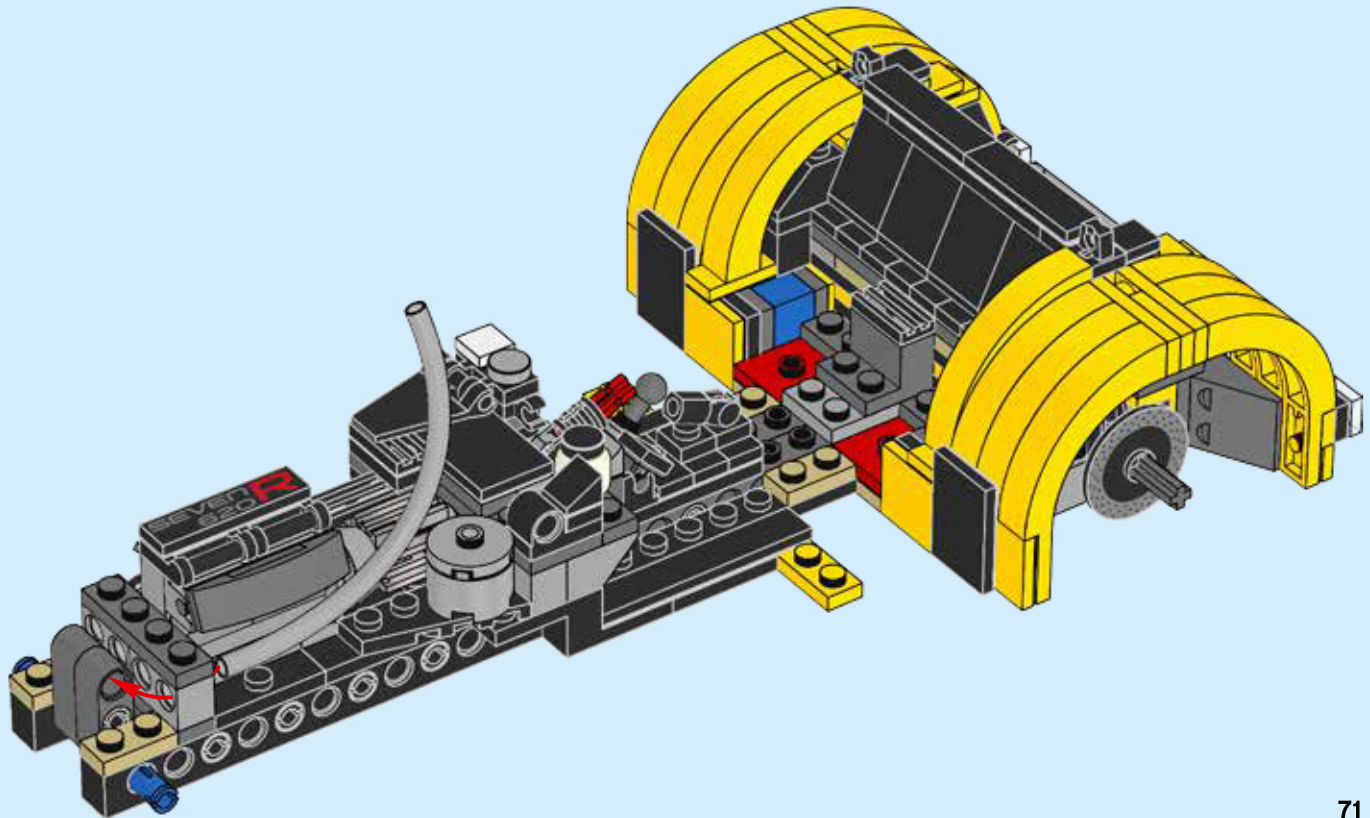


82

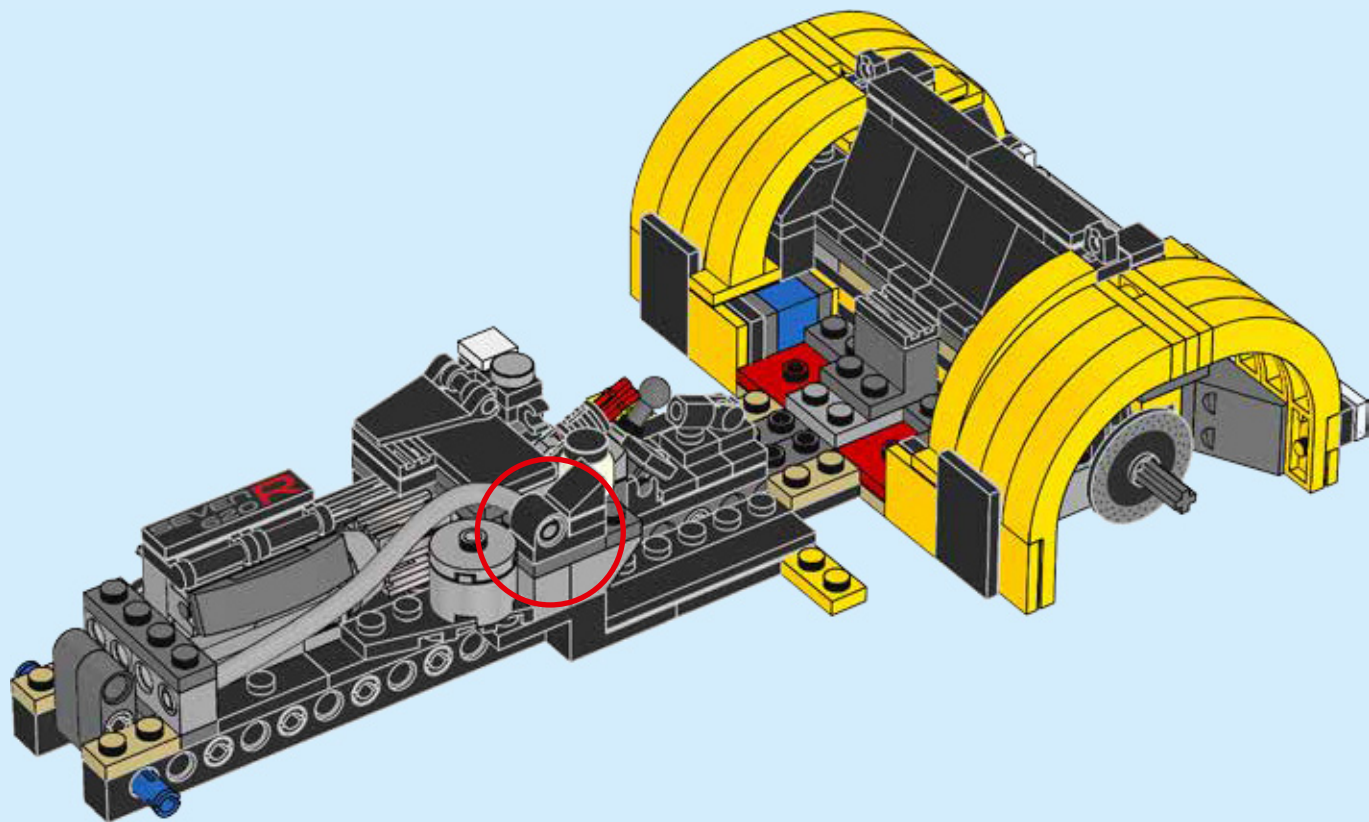


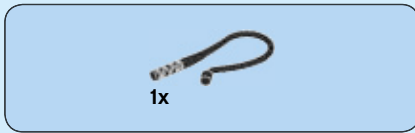


83

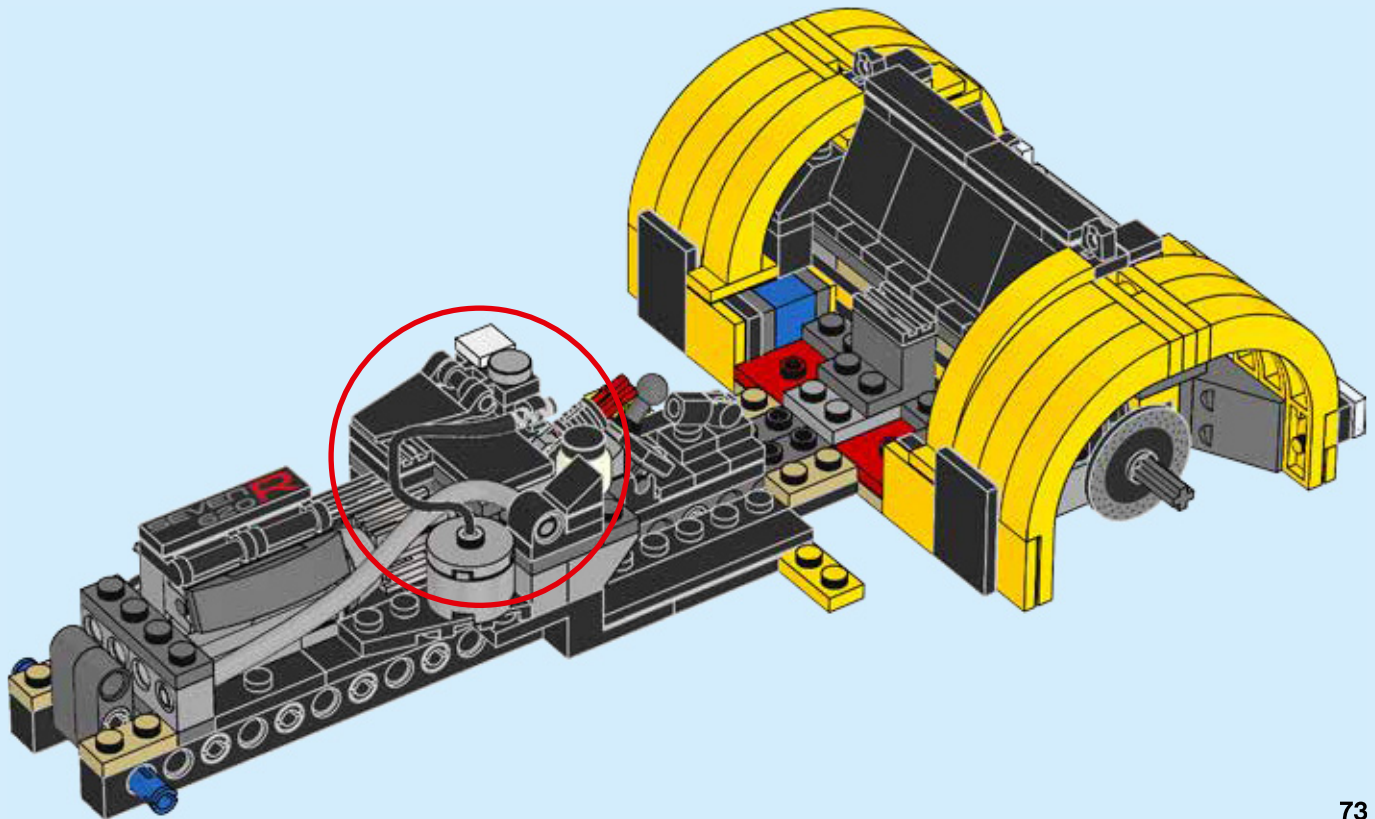


84





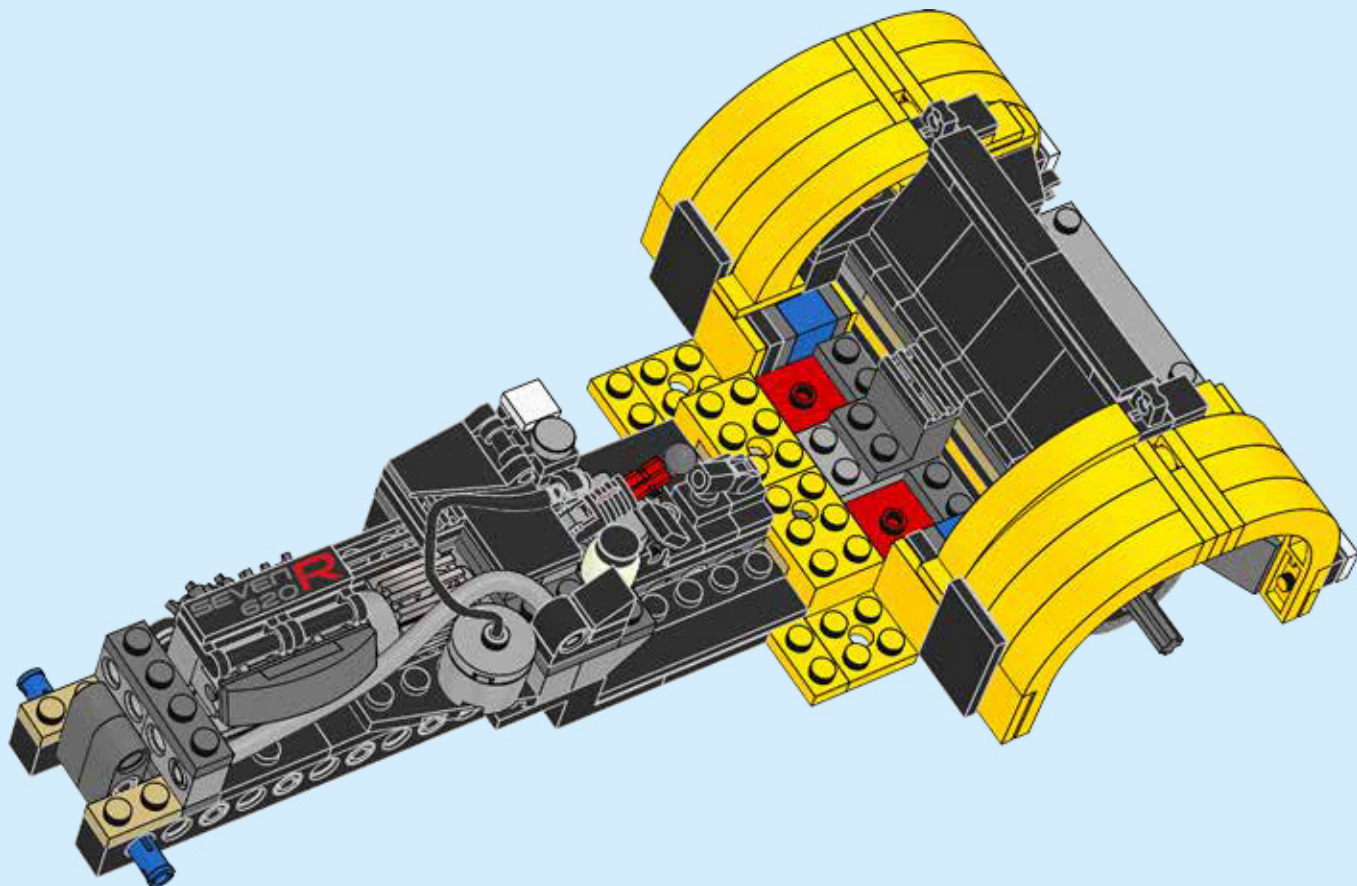
85



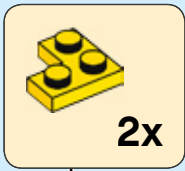


2x

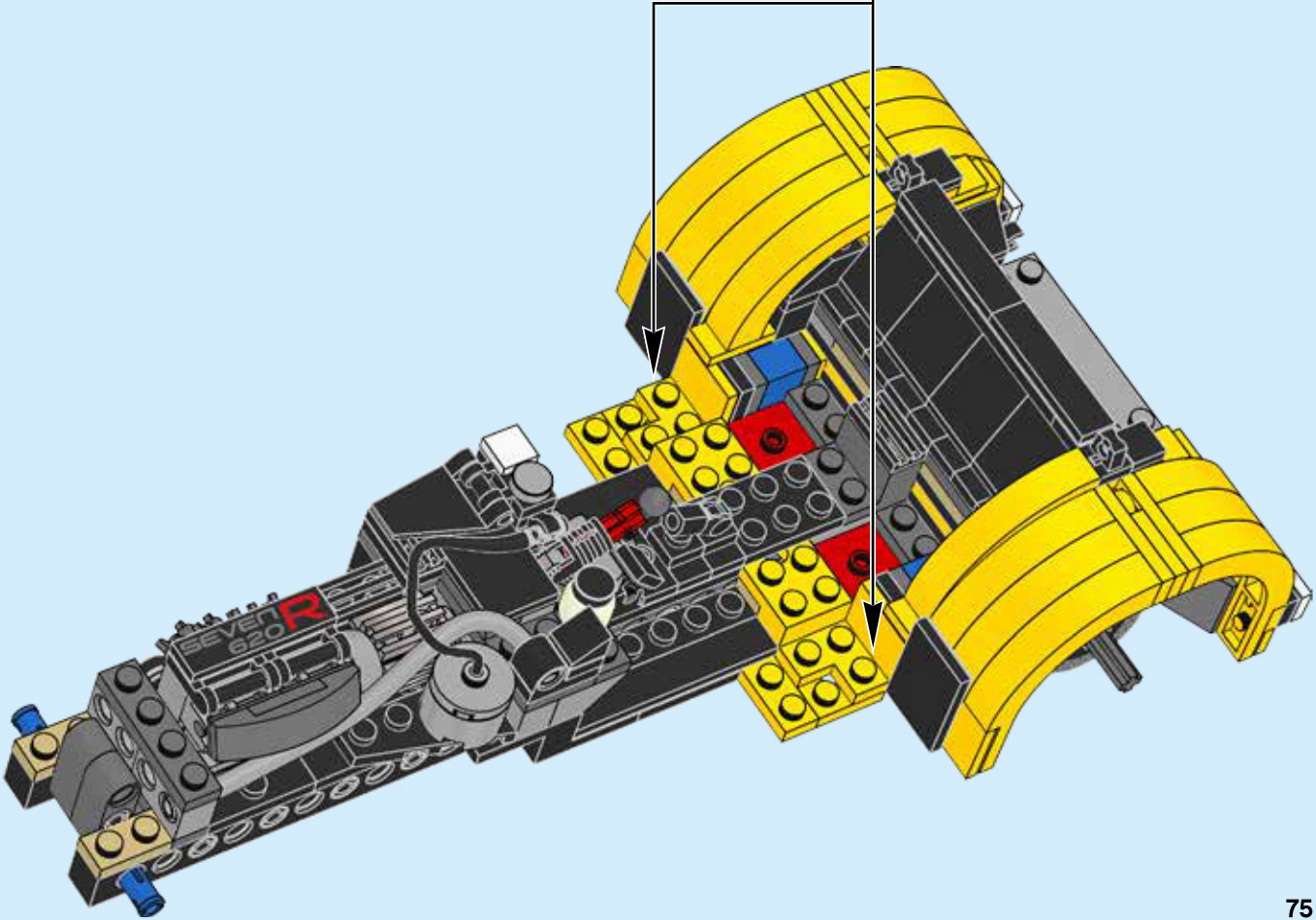
86

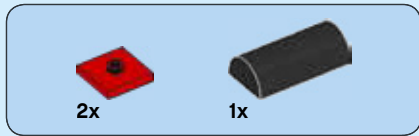


74

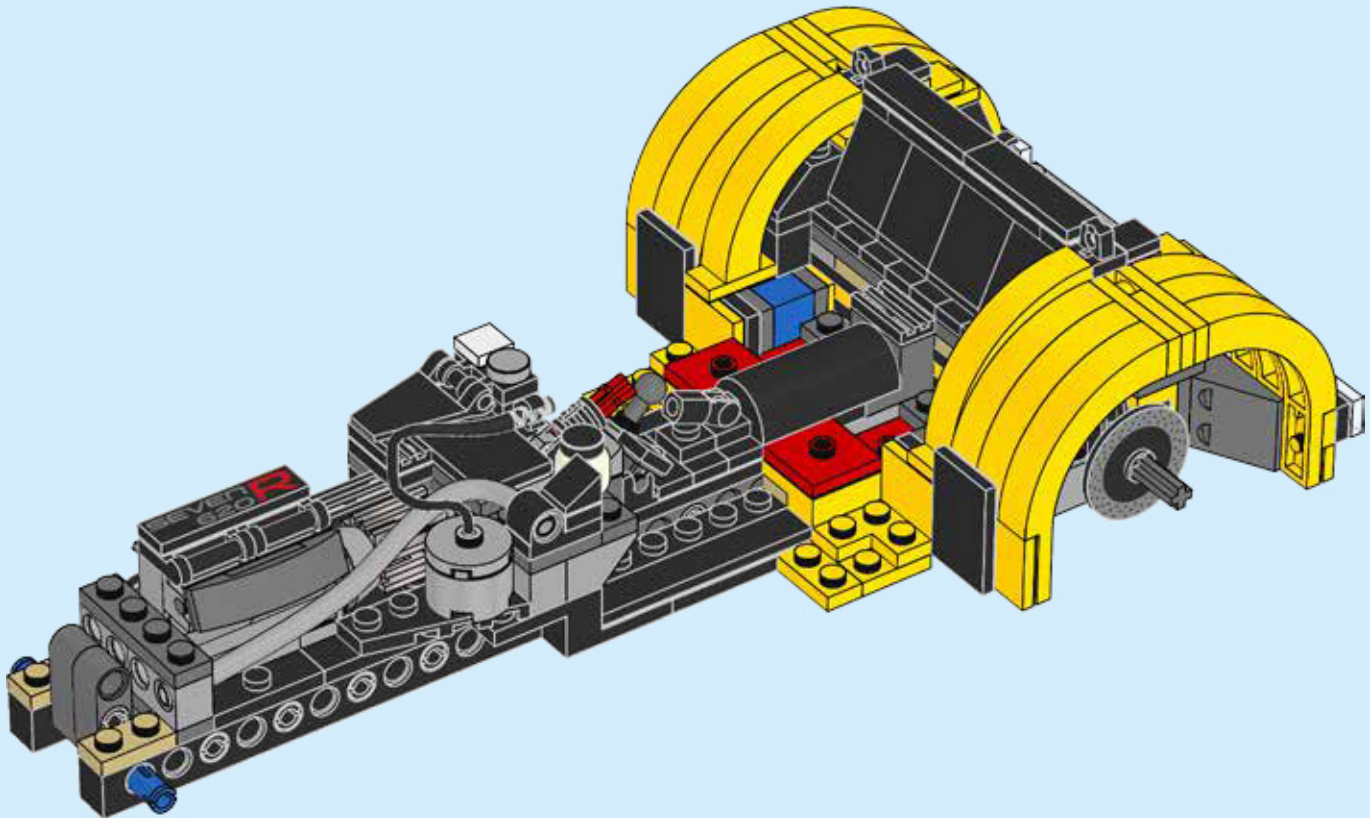


87



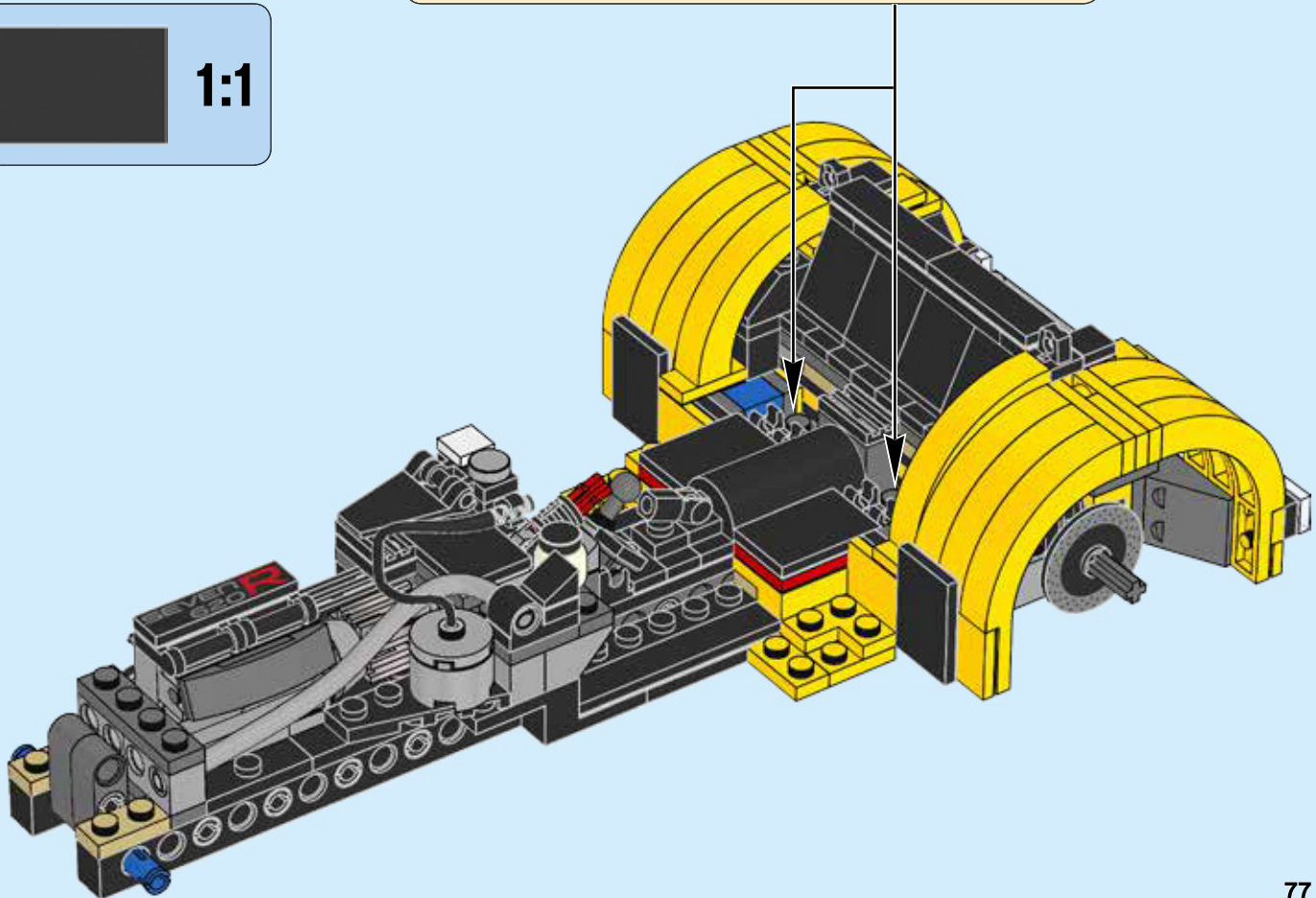
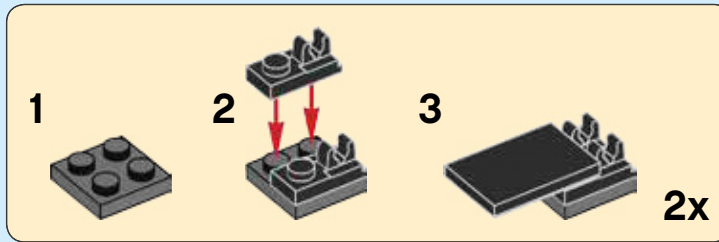


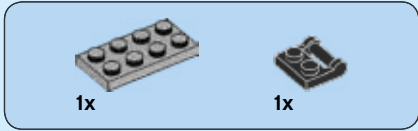
88



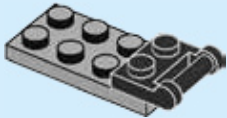


89

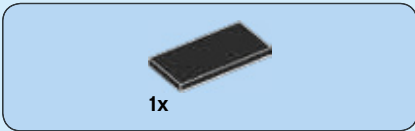
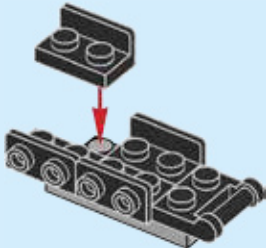




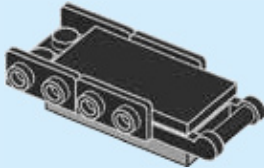
90



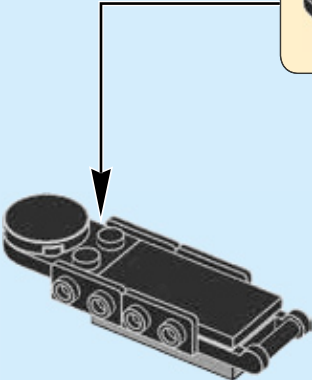
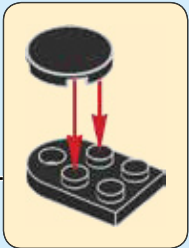
91

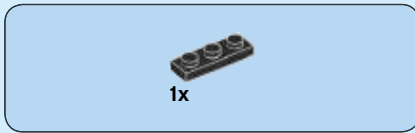


92

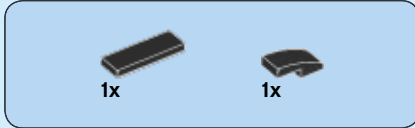
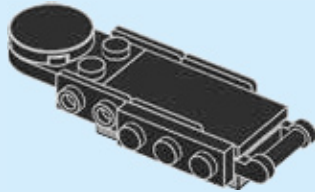


93

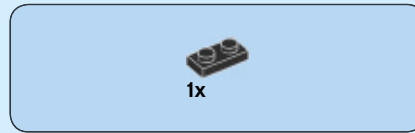
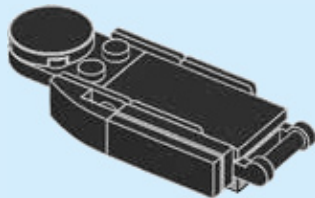




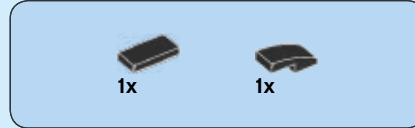
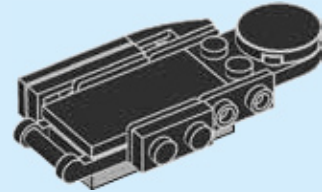
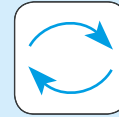
94



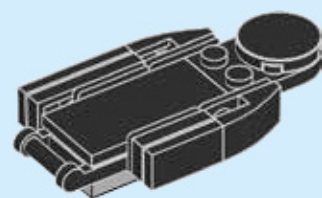
95

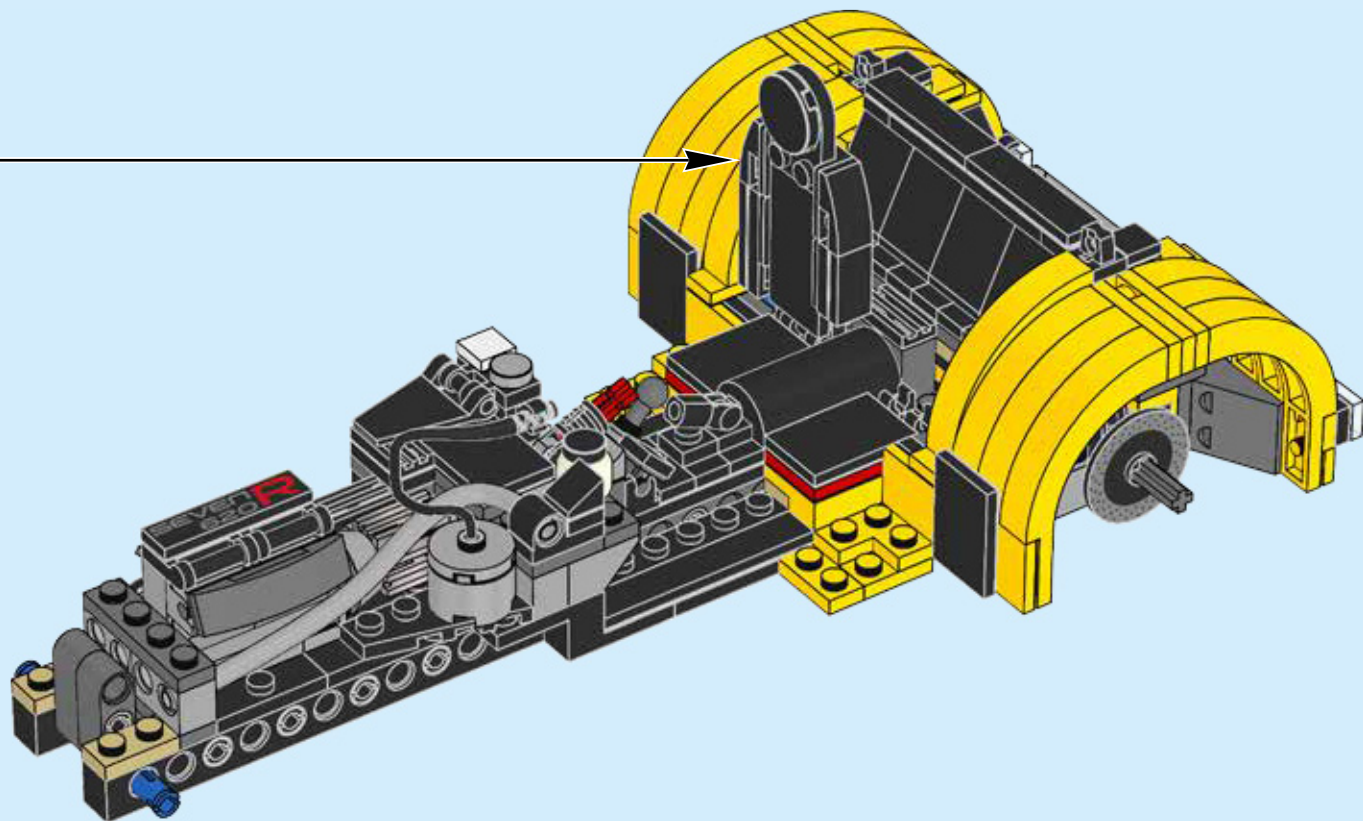


96



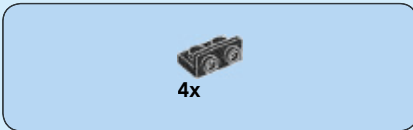
97



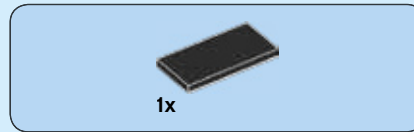
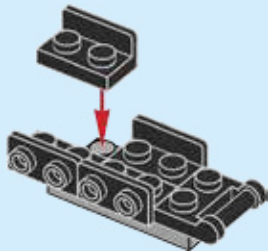




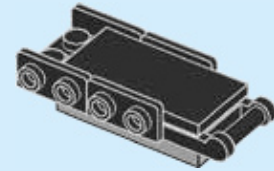
99



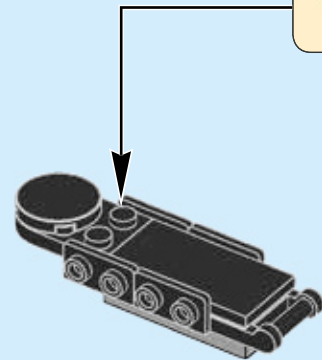
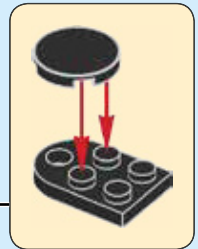
100



101



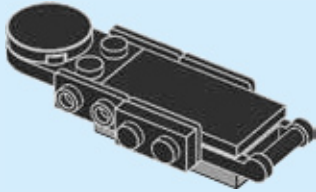
102





1x

103

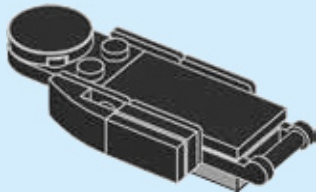


1x



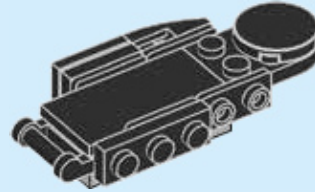
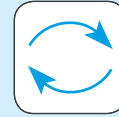
1x

104



1x

105

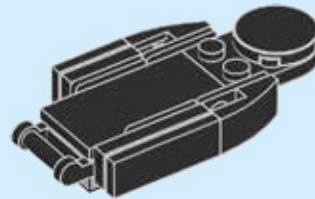


1x

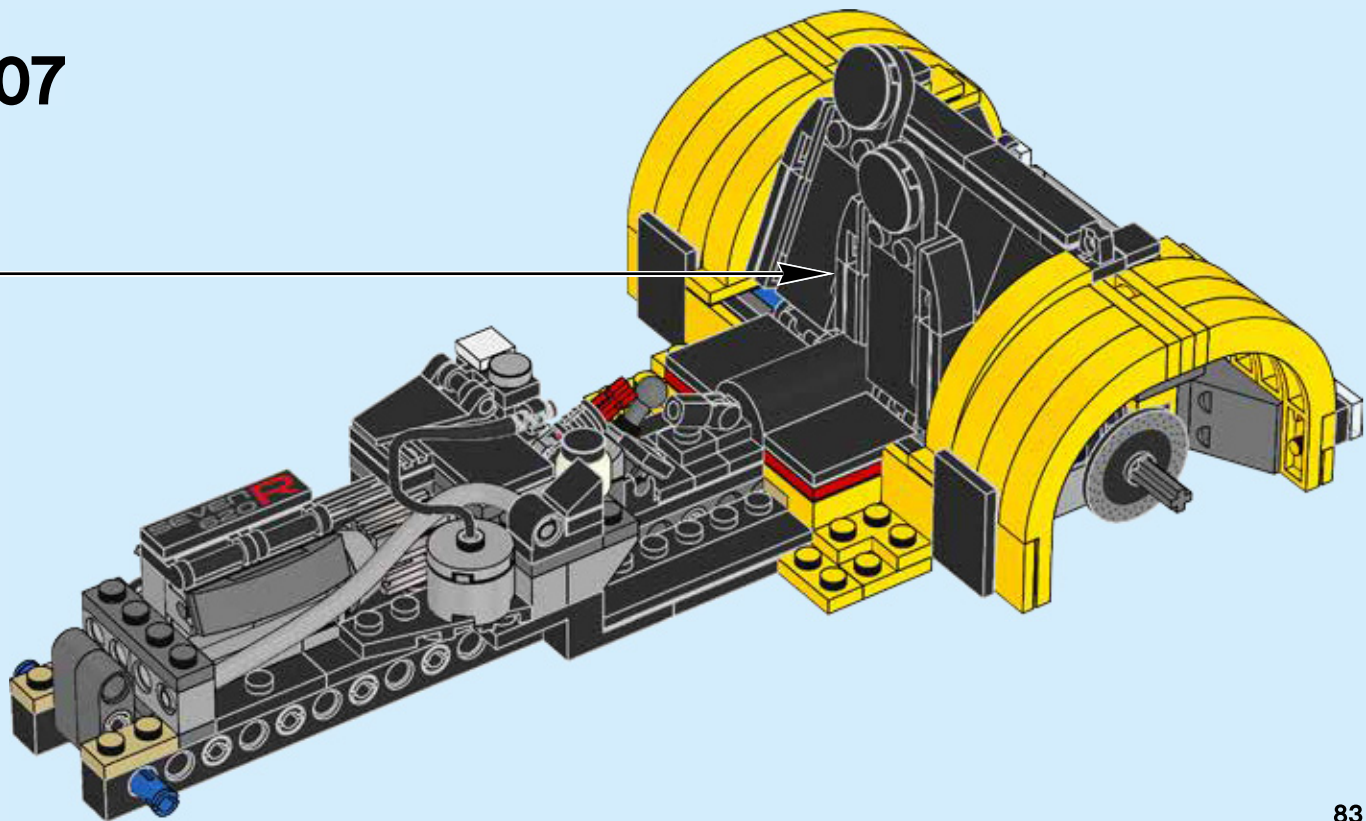


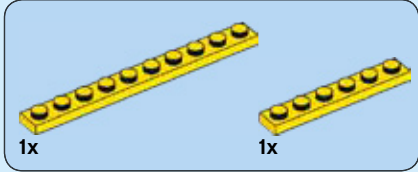
1x

106

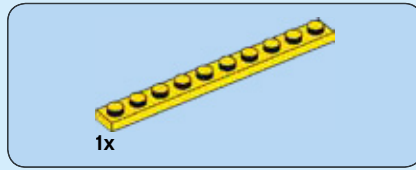
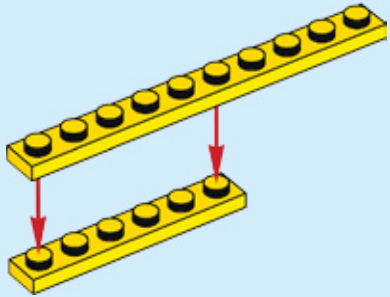


107

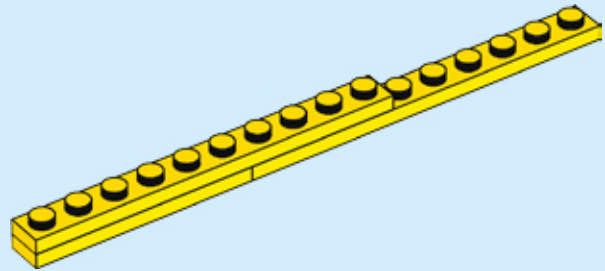


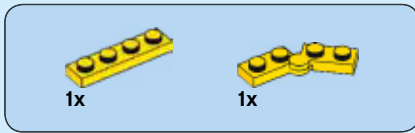


108

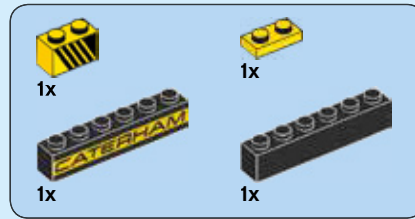
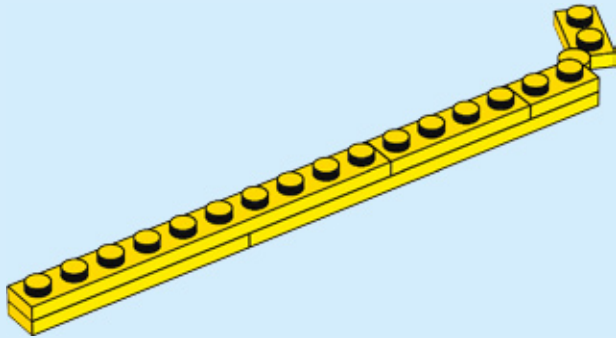


109

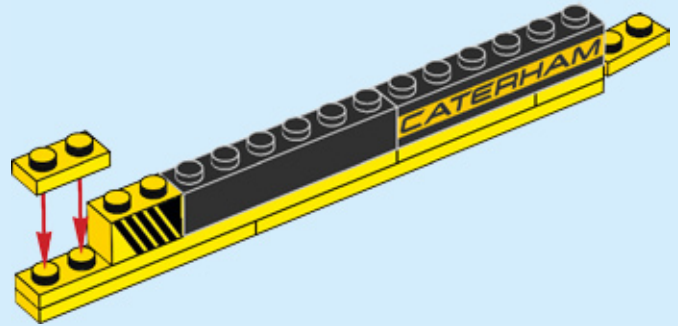




110

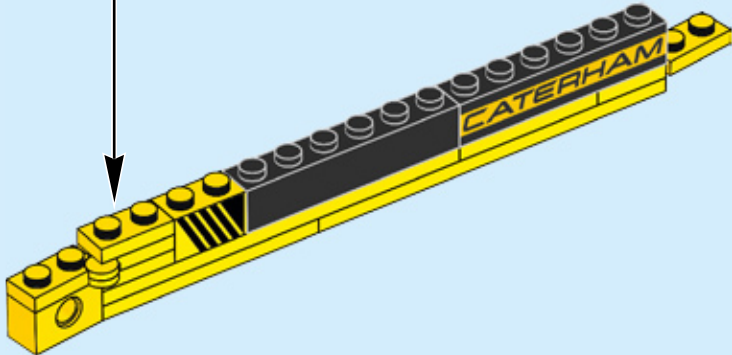
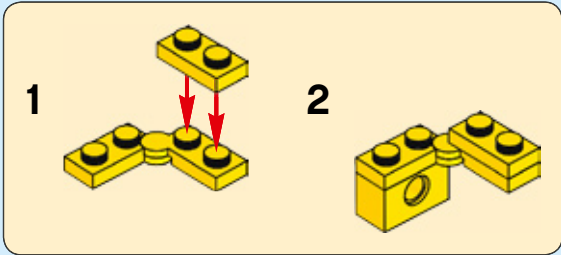


111

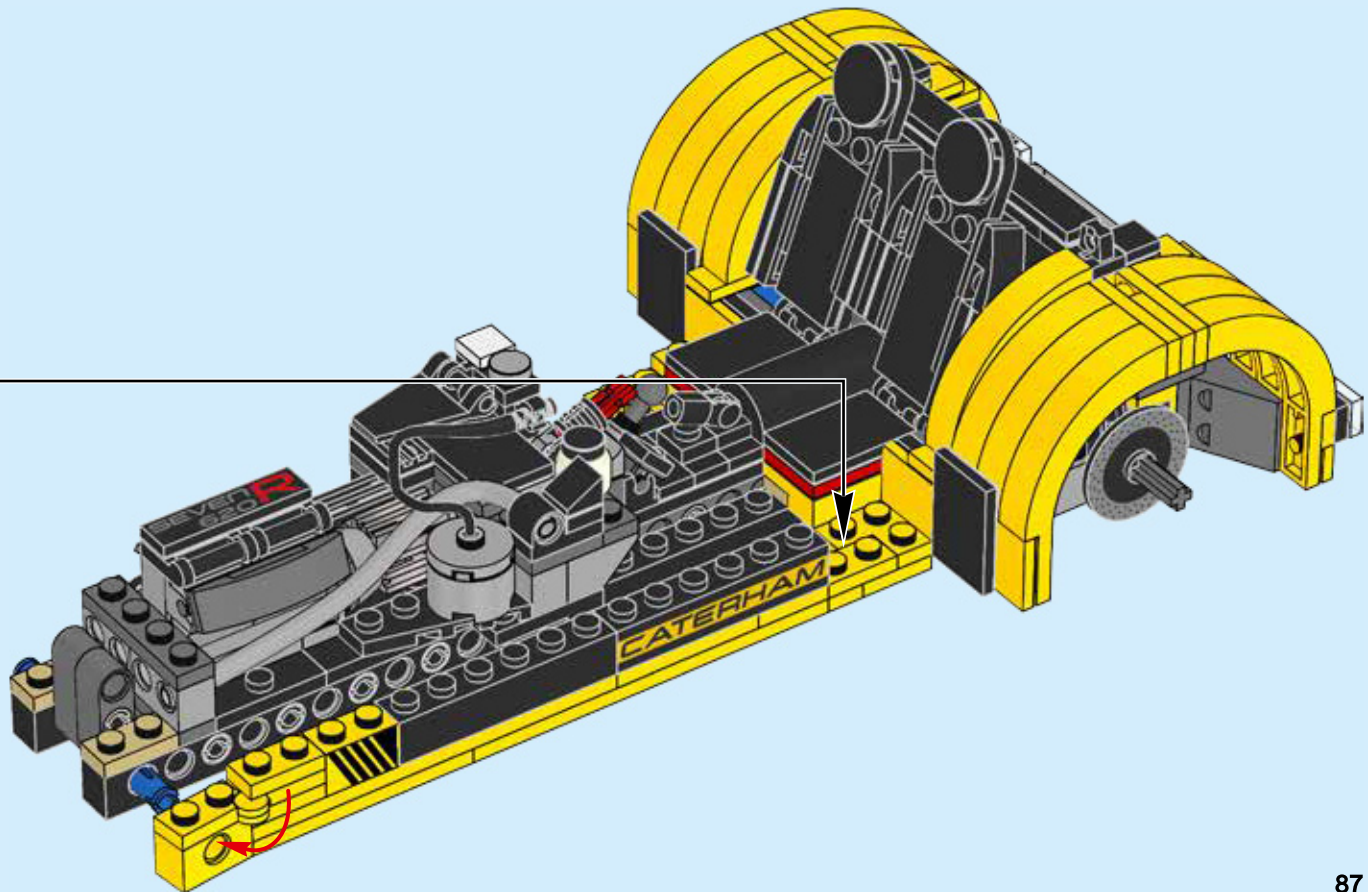




112



113



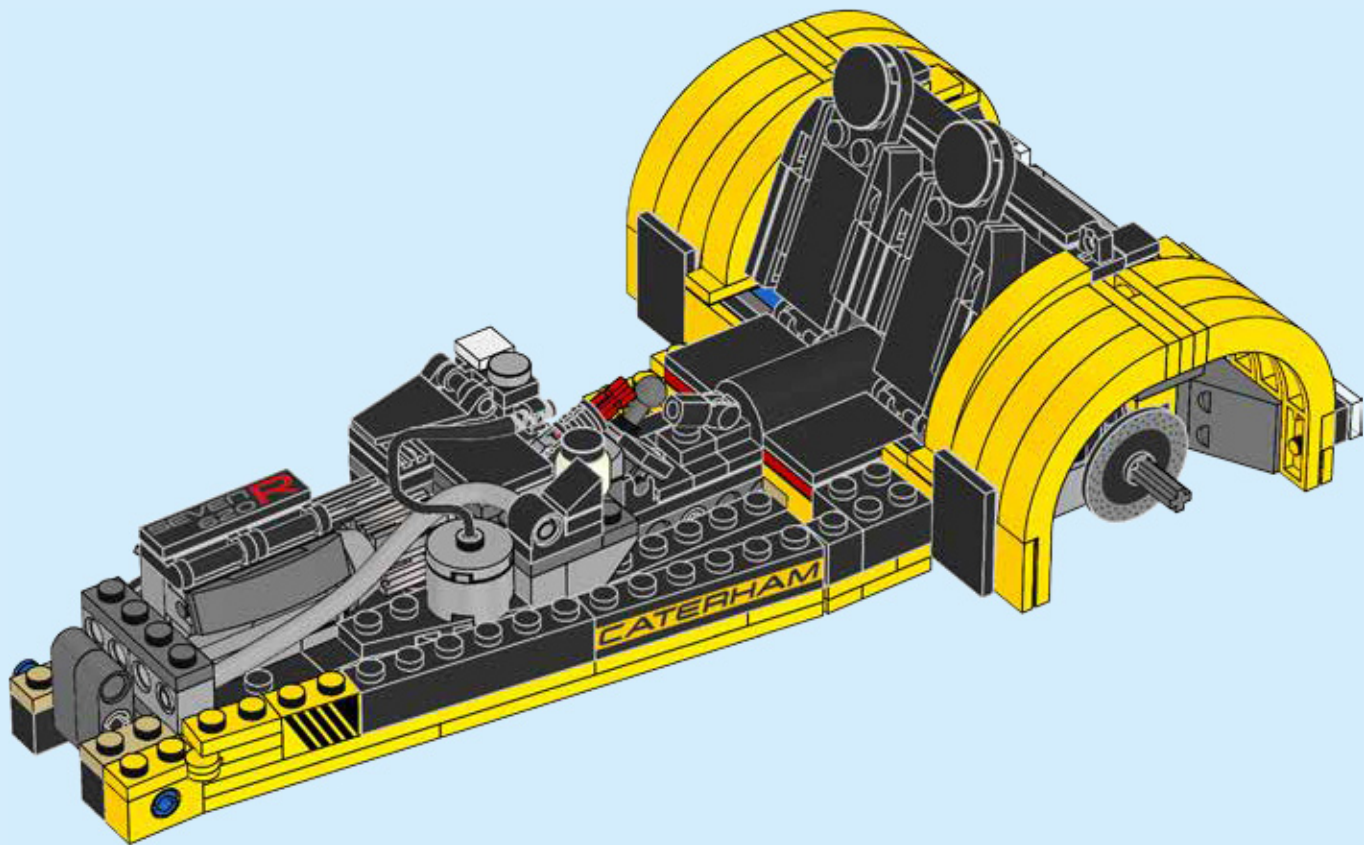


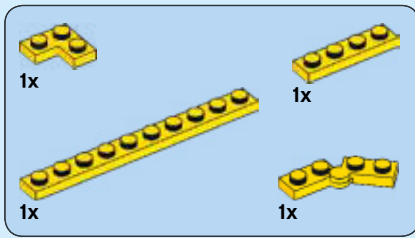
1x



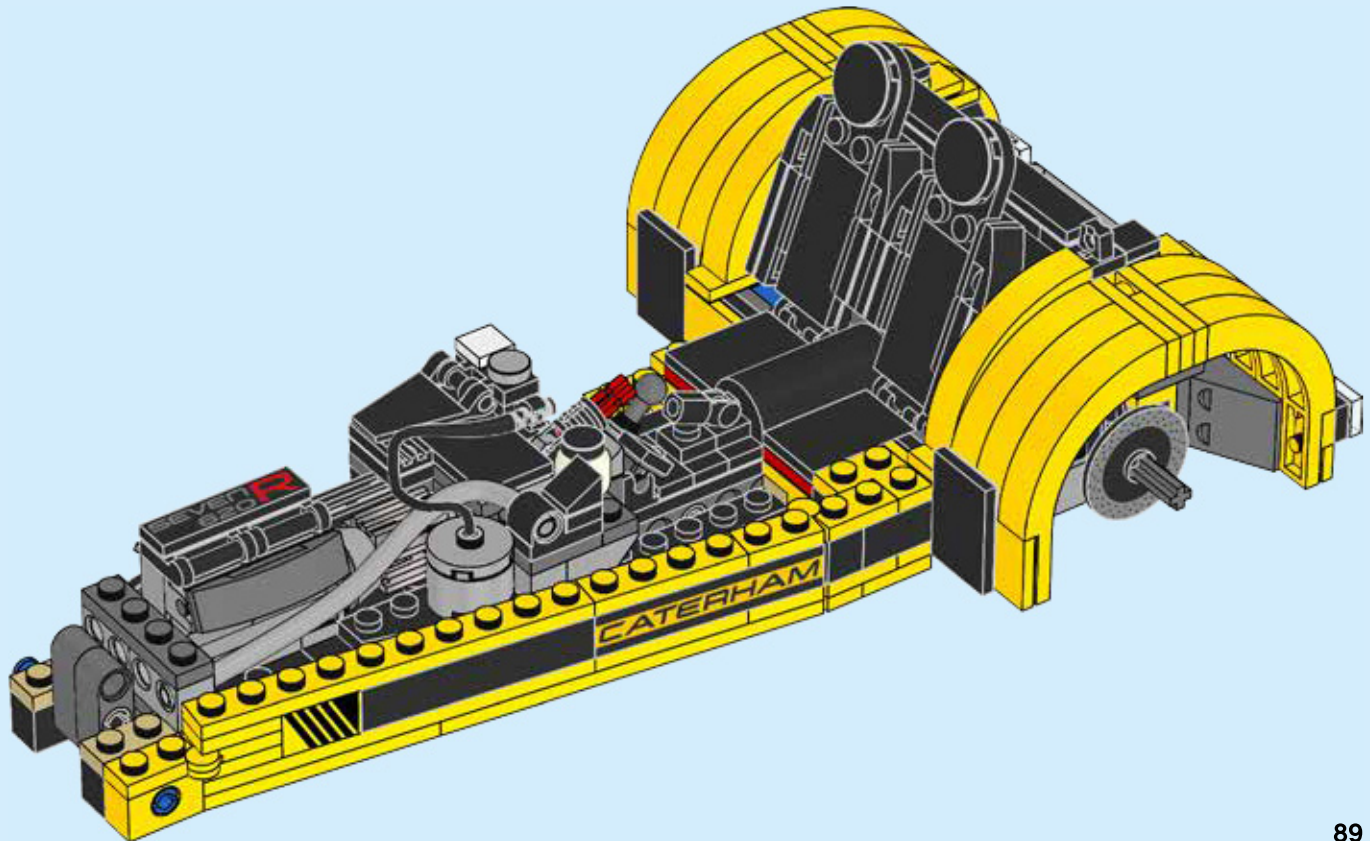
1x

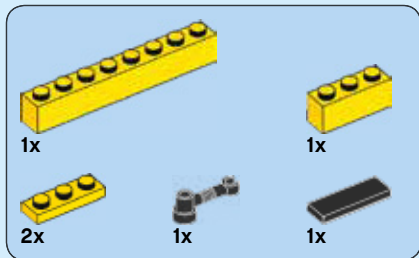
114



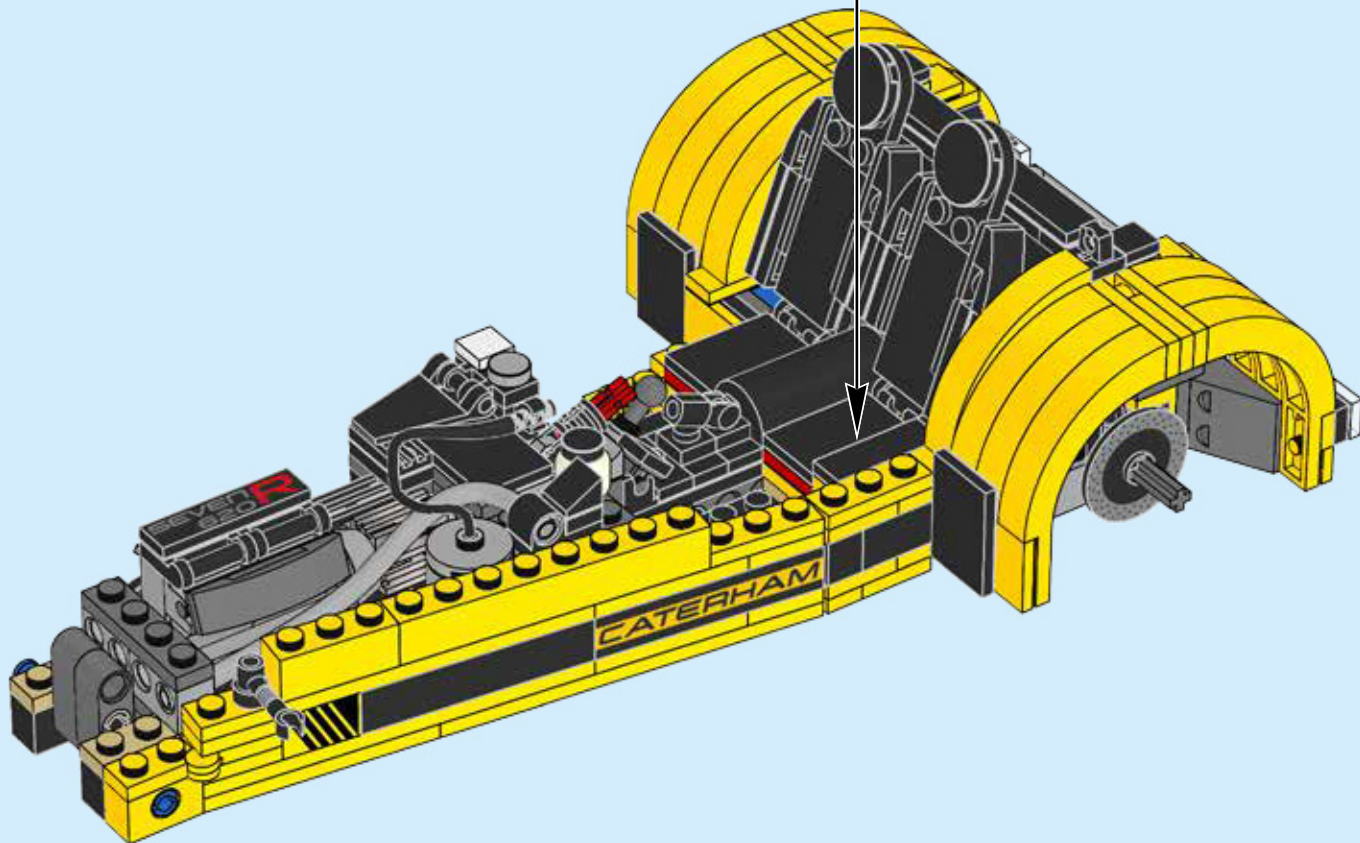


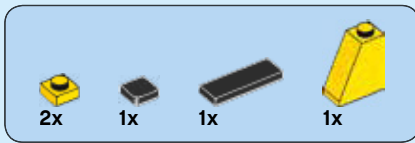
115



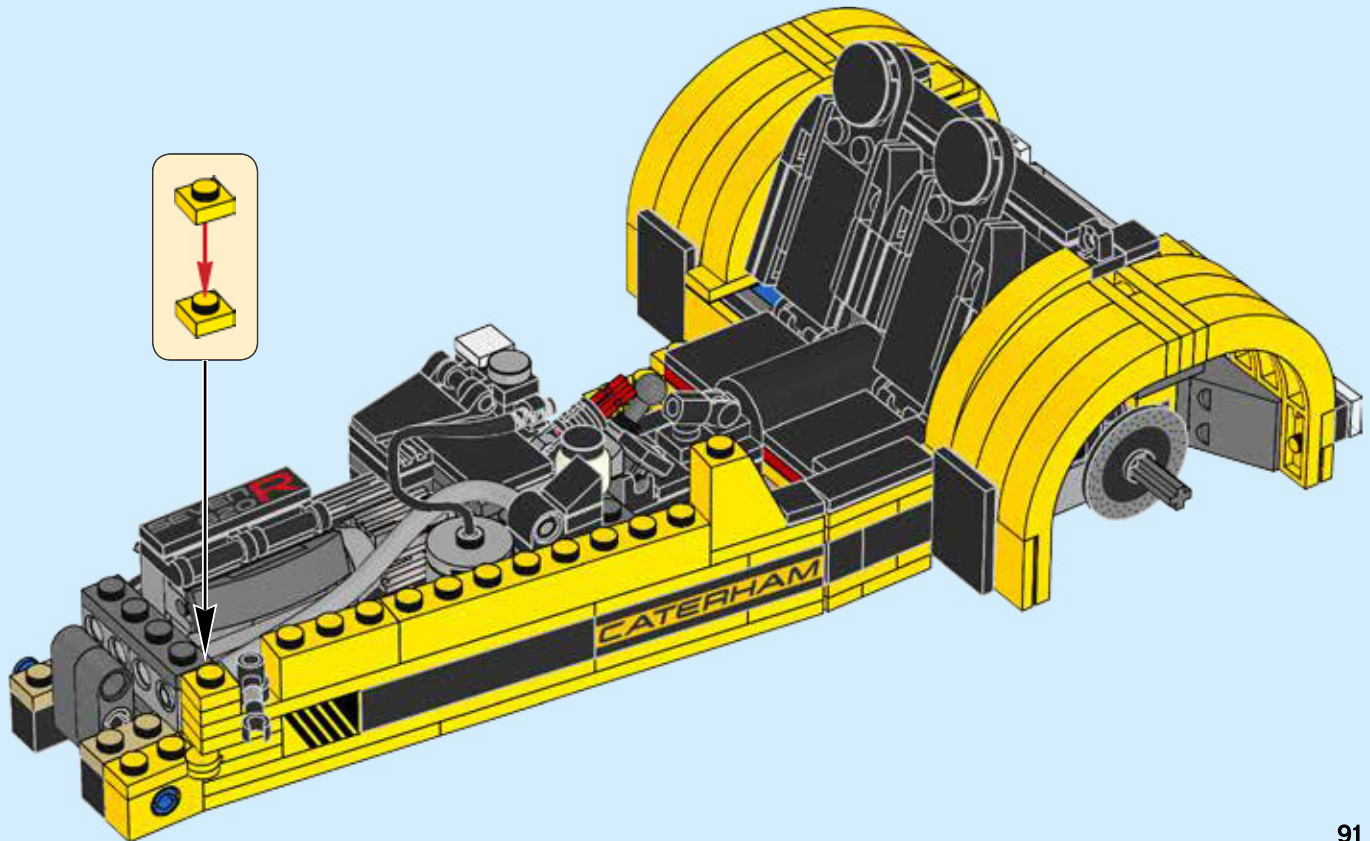


116



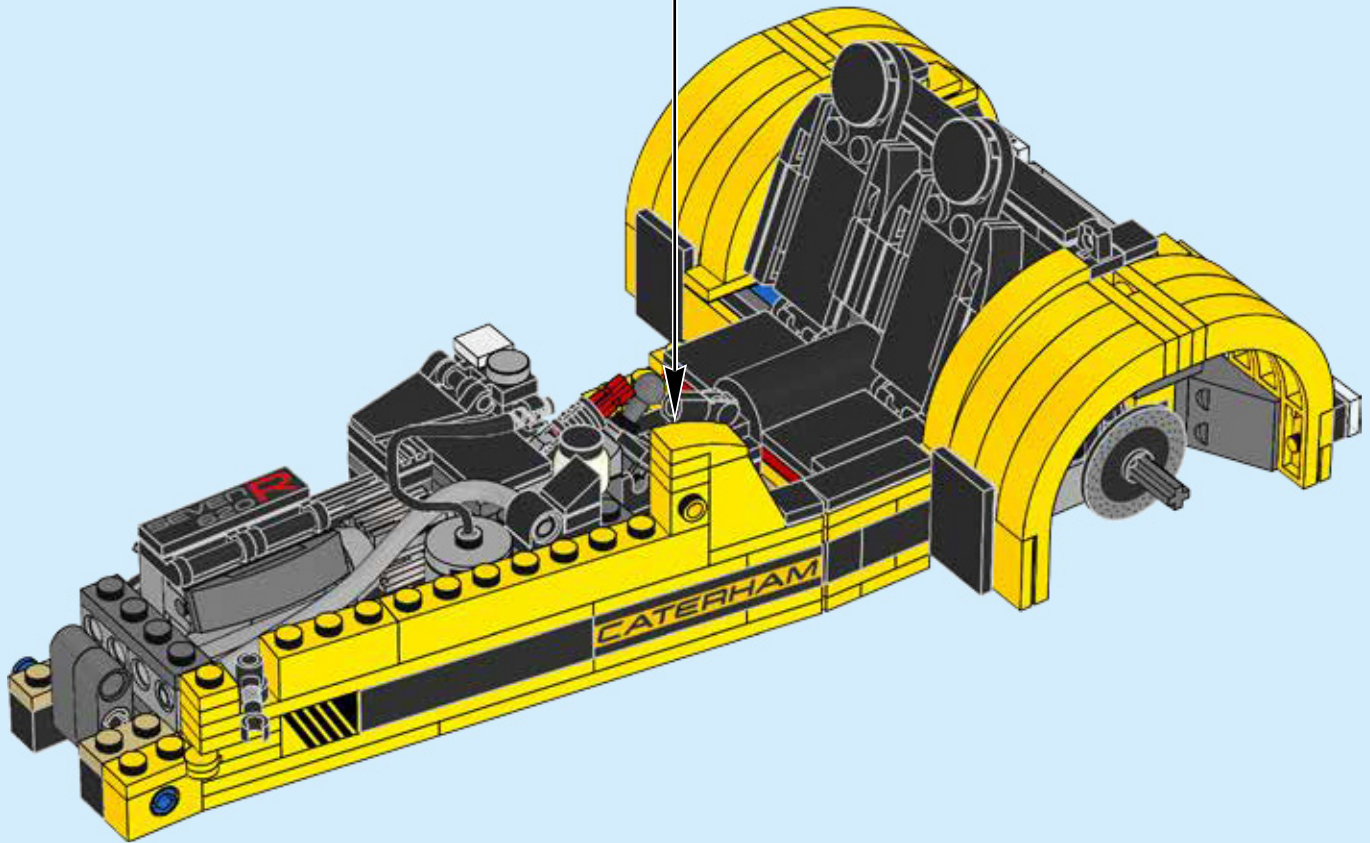
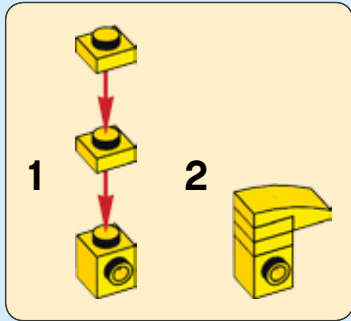


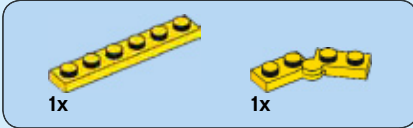
117



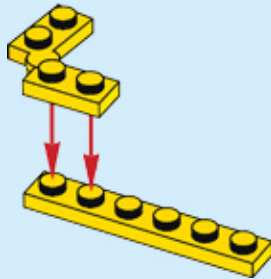


118

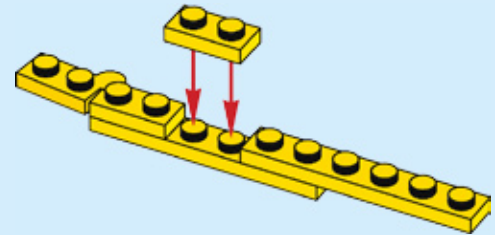




119

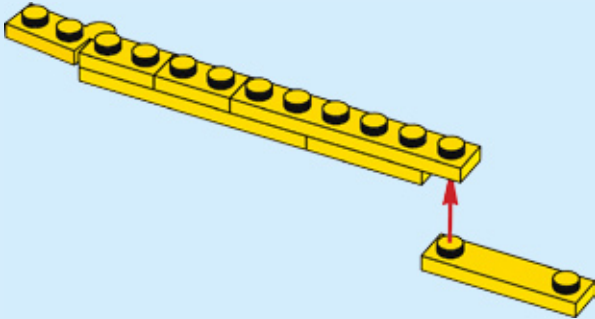


120

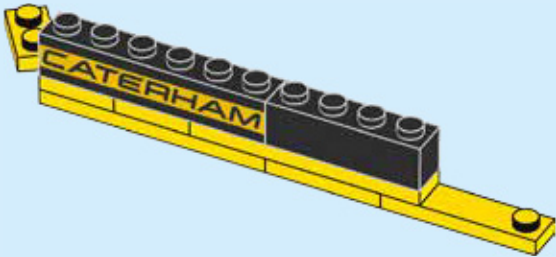


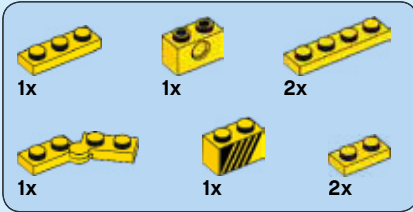


121

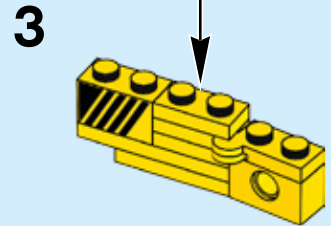
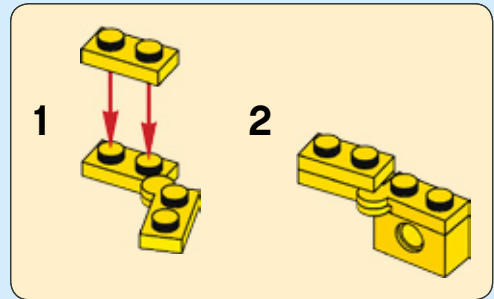
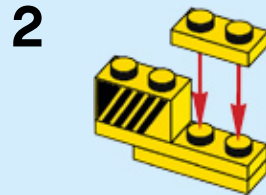
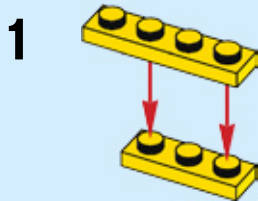


122

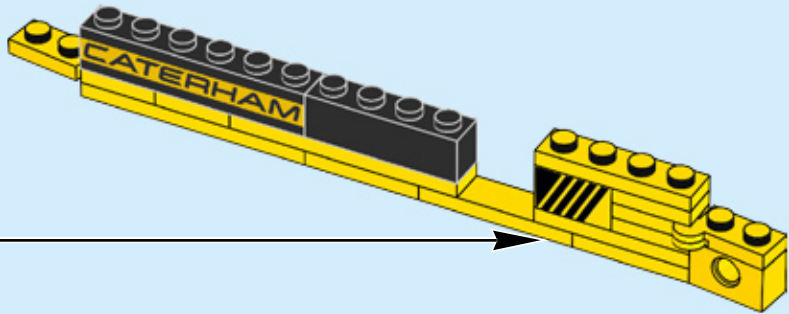
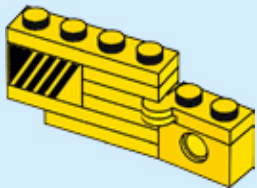




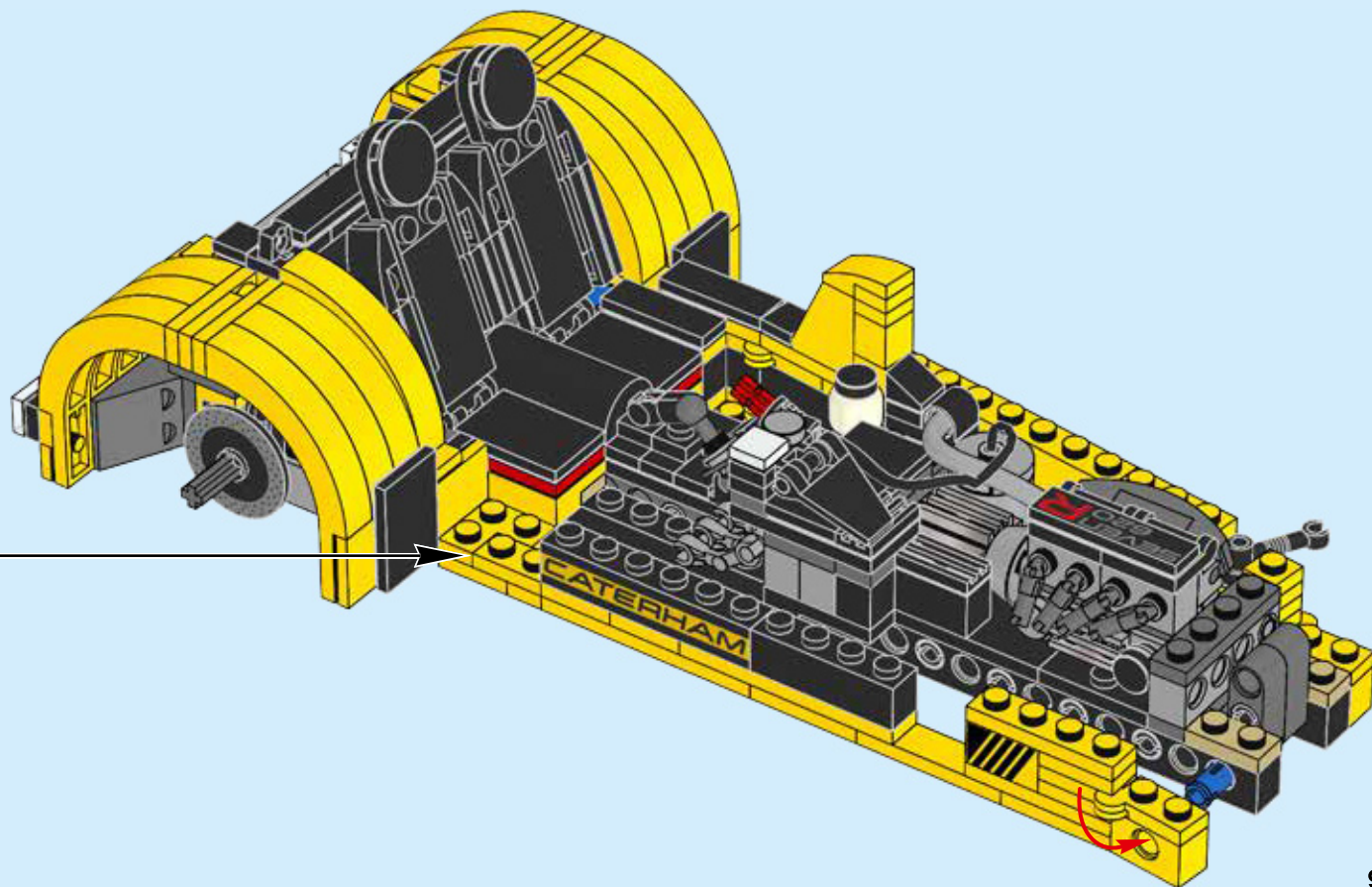
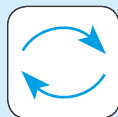
123



4



124



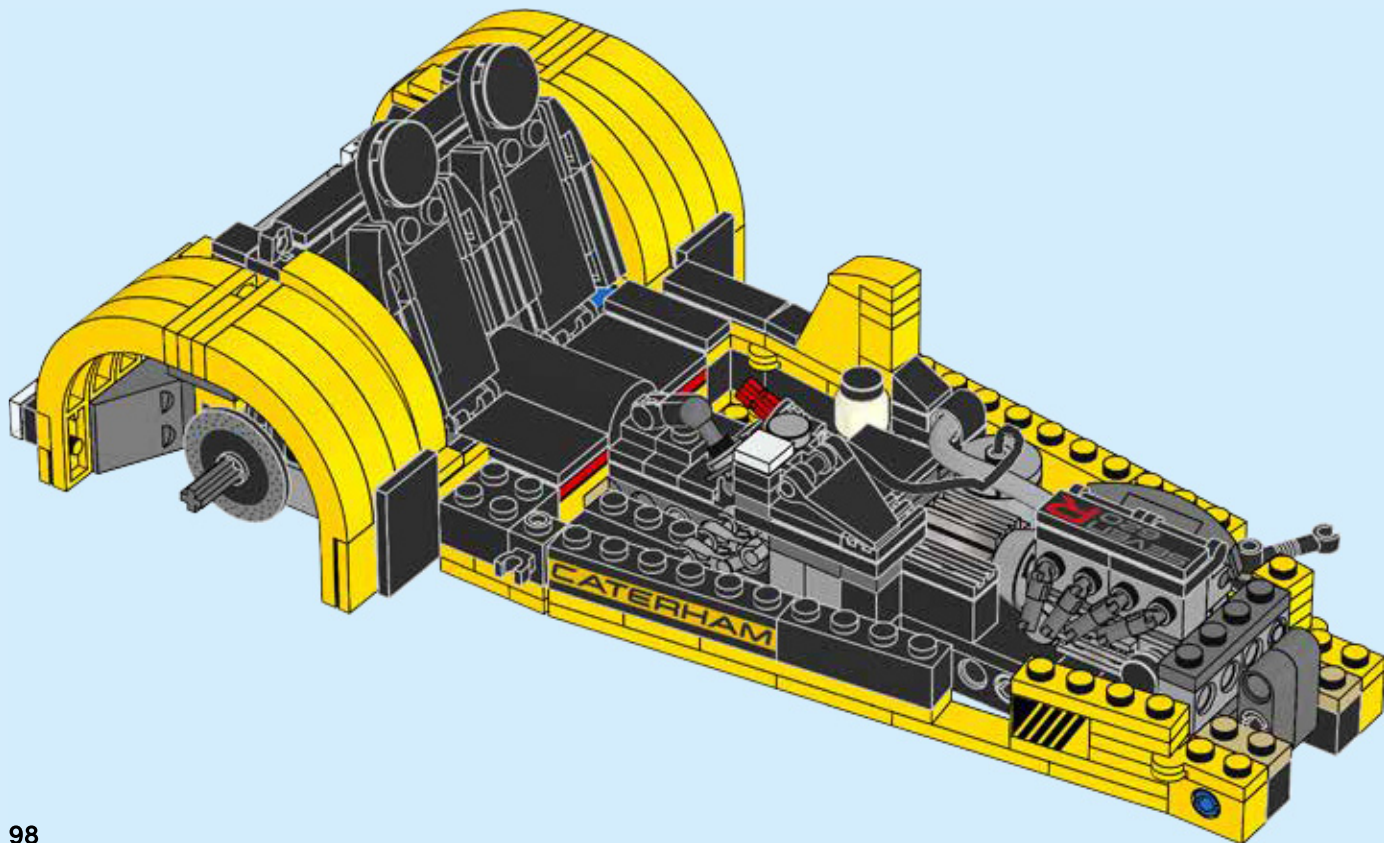


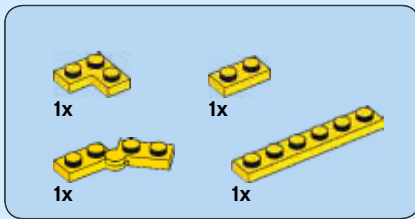
1x



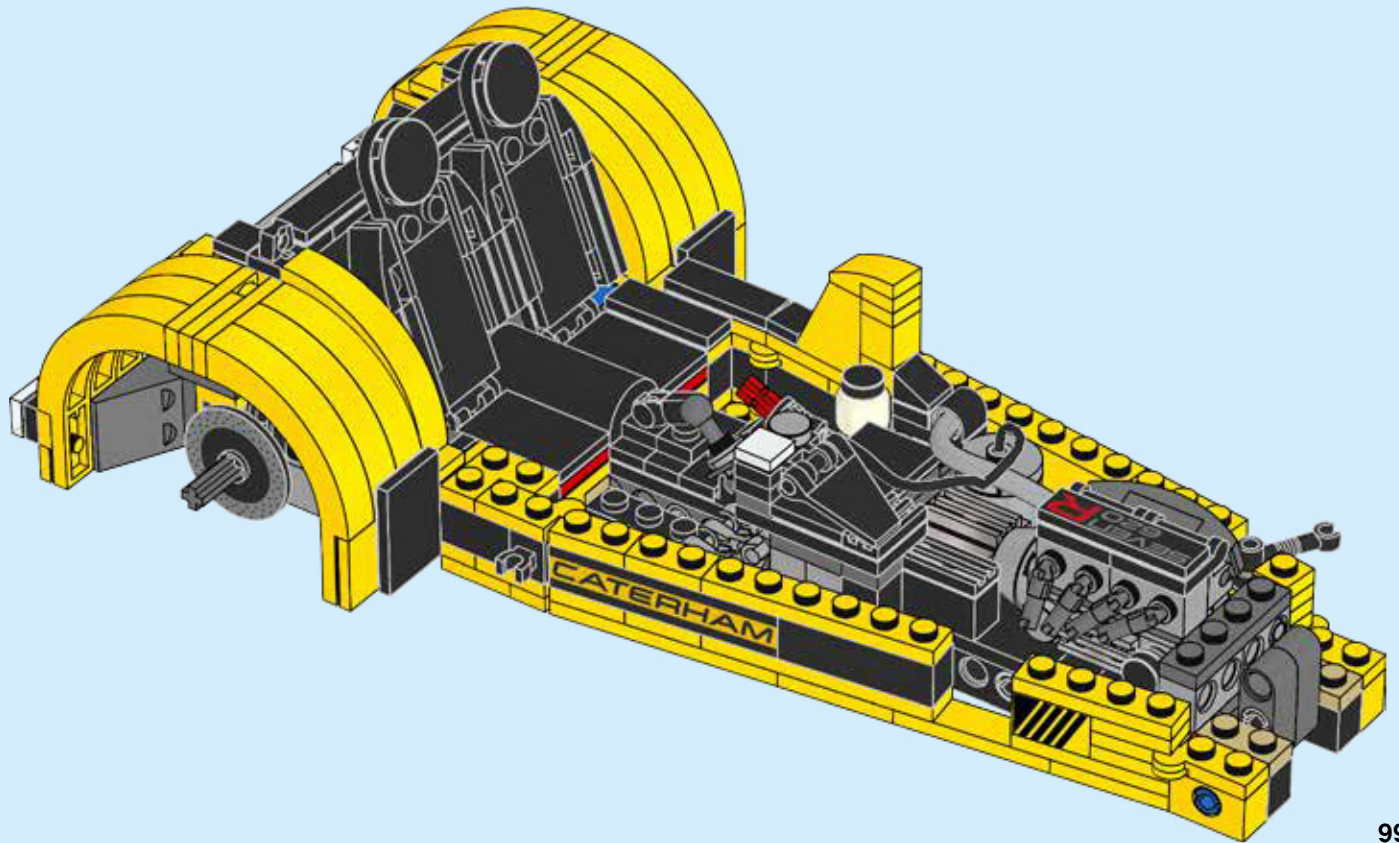
1x

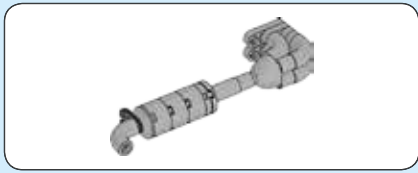
125



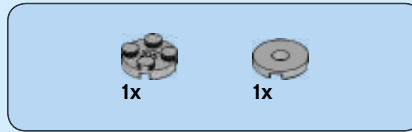
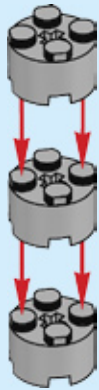


126

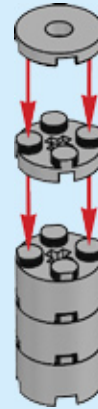


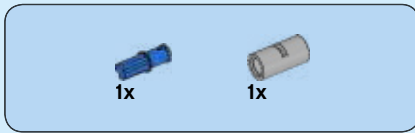


127



128





129

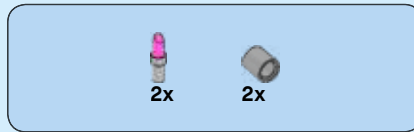


130

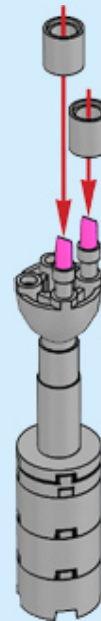


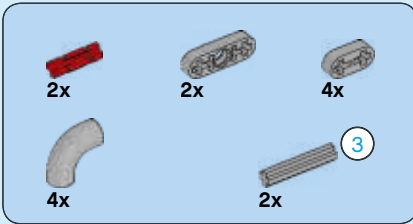
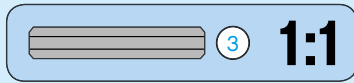


131

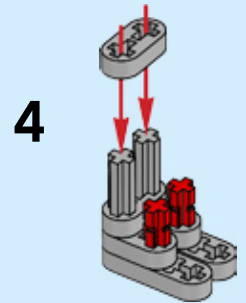
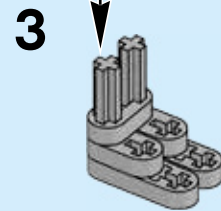
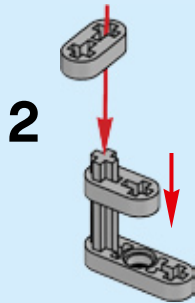
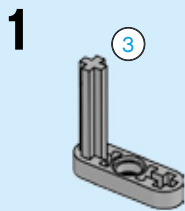
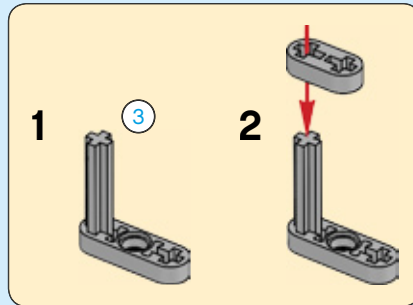


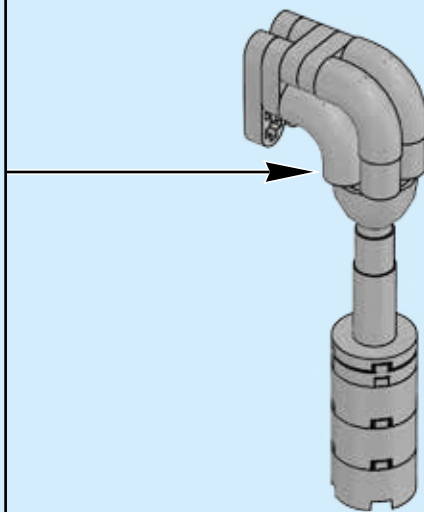
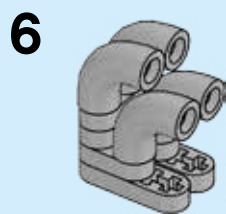
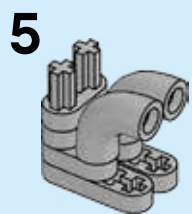
132

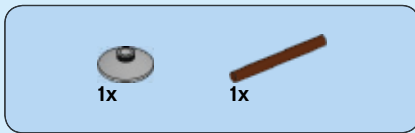




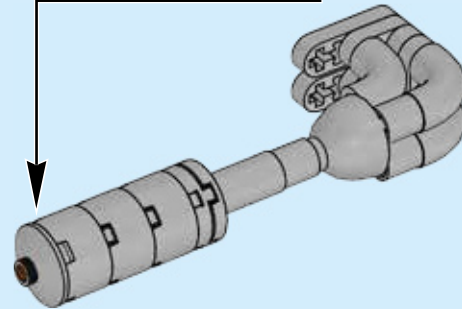
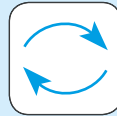
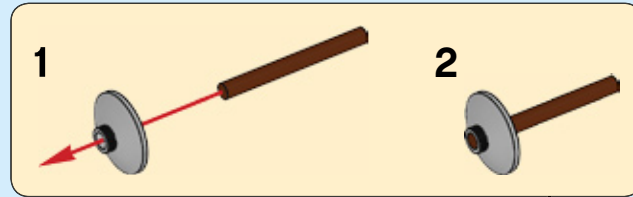
133



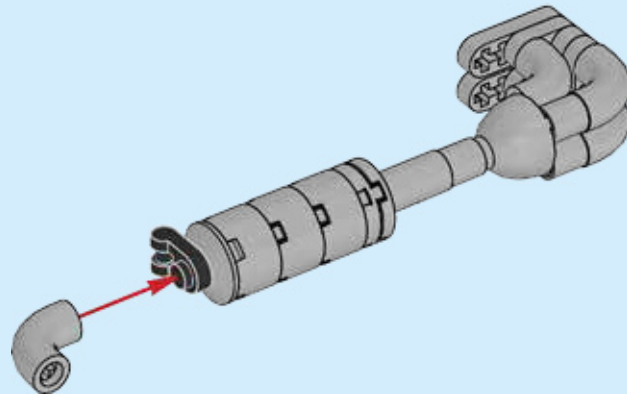




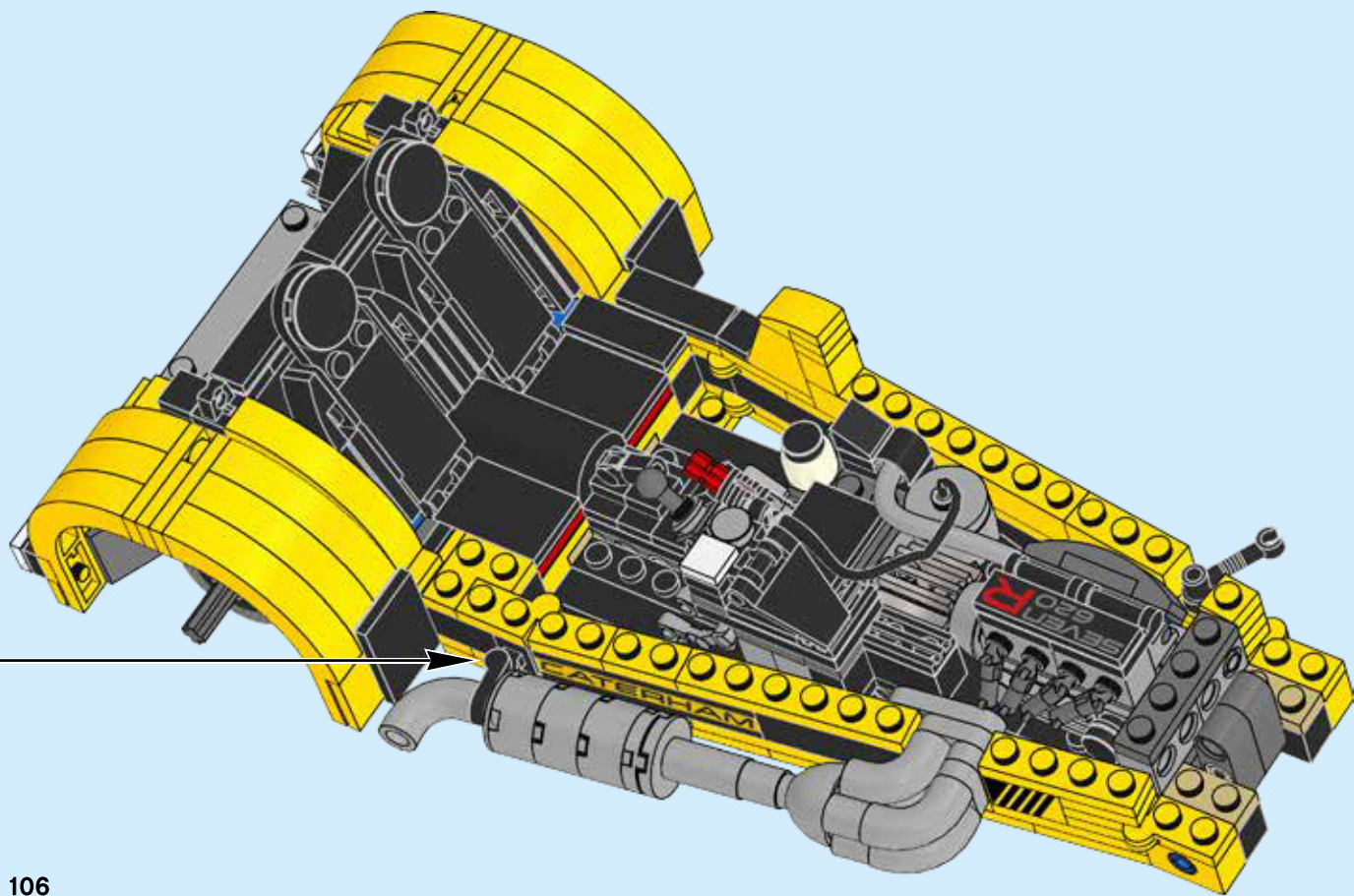
134

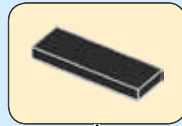
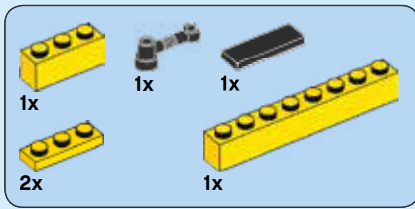


135

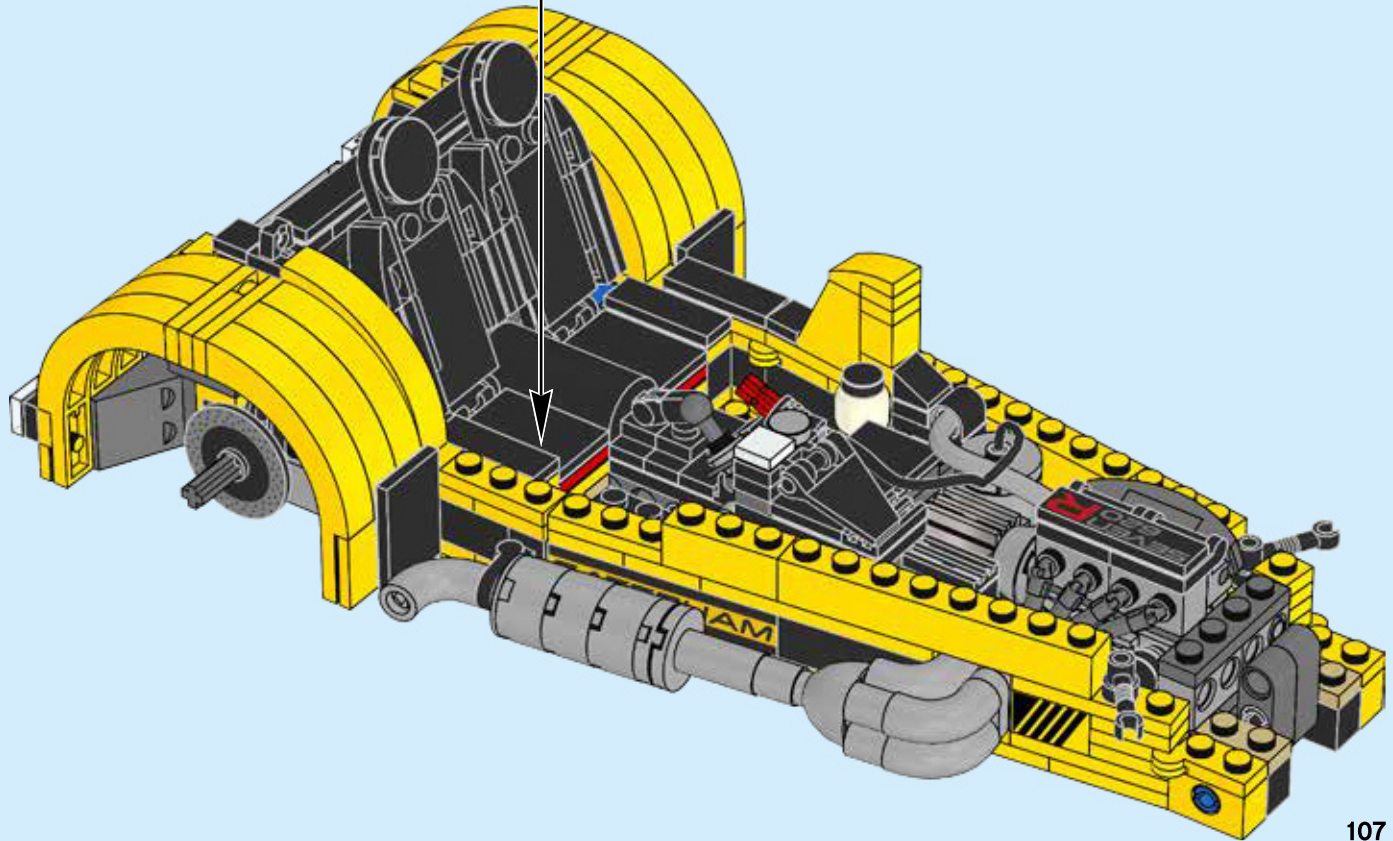


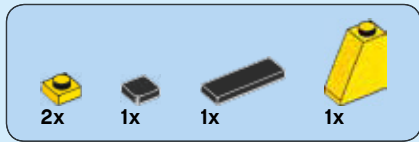
136



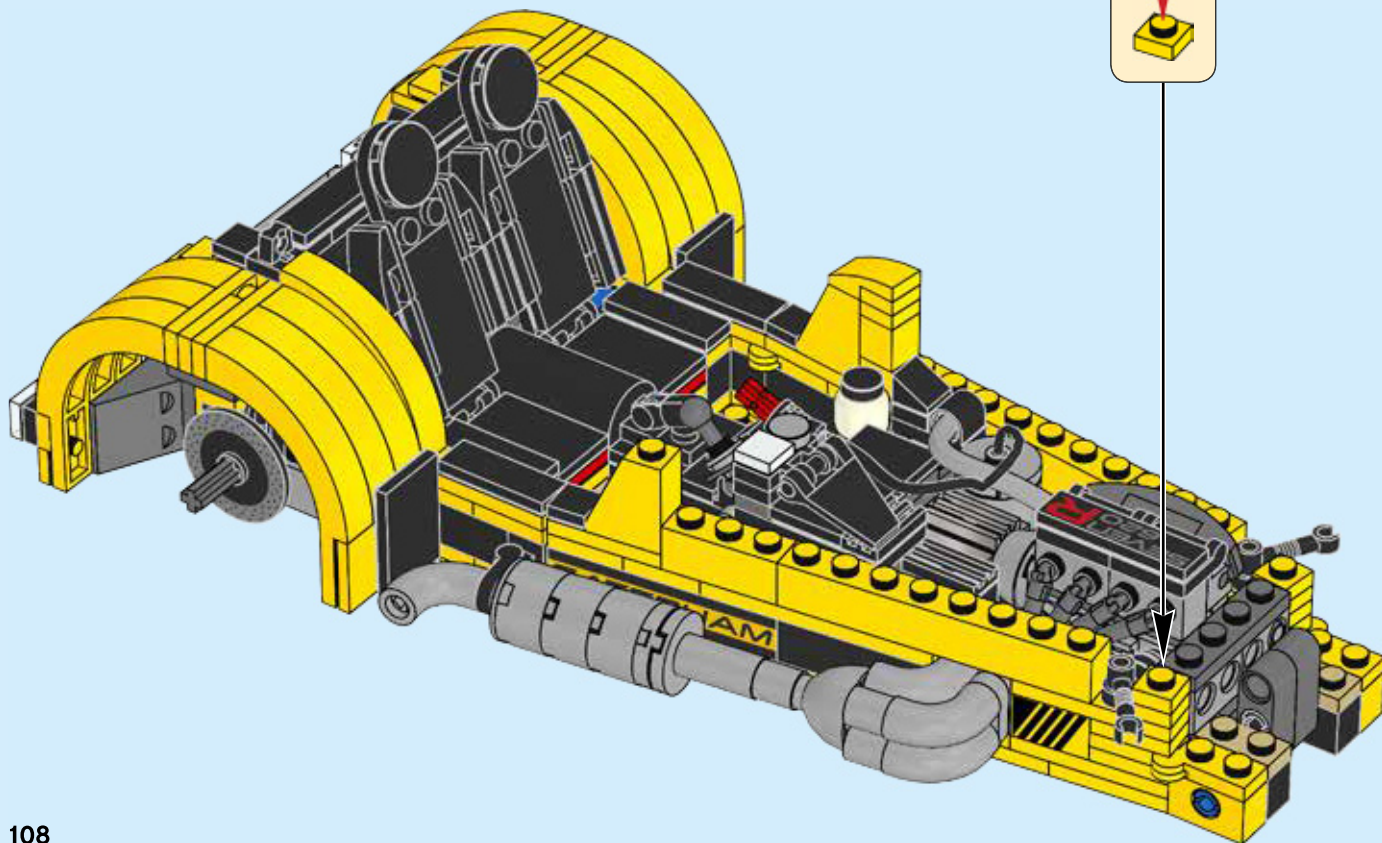
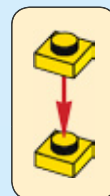


137



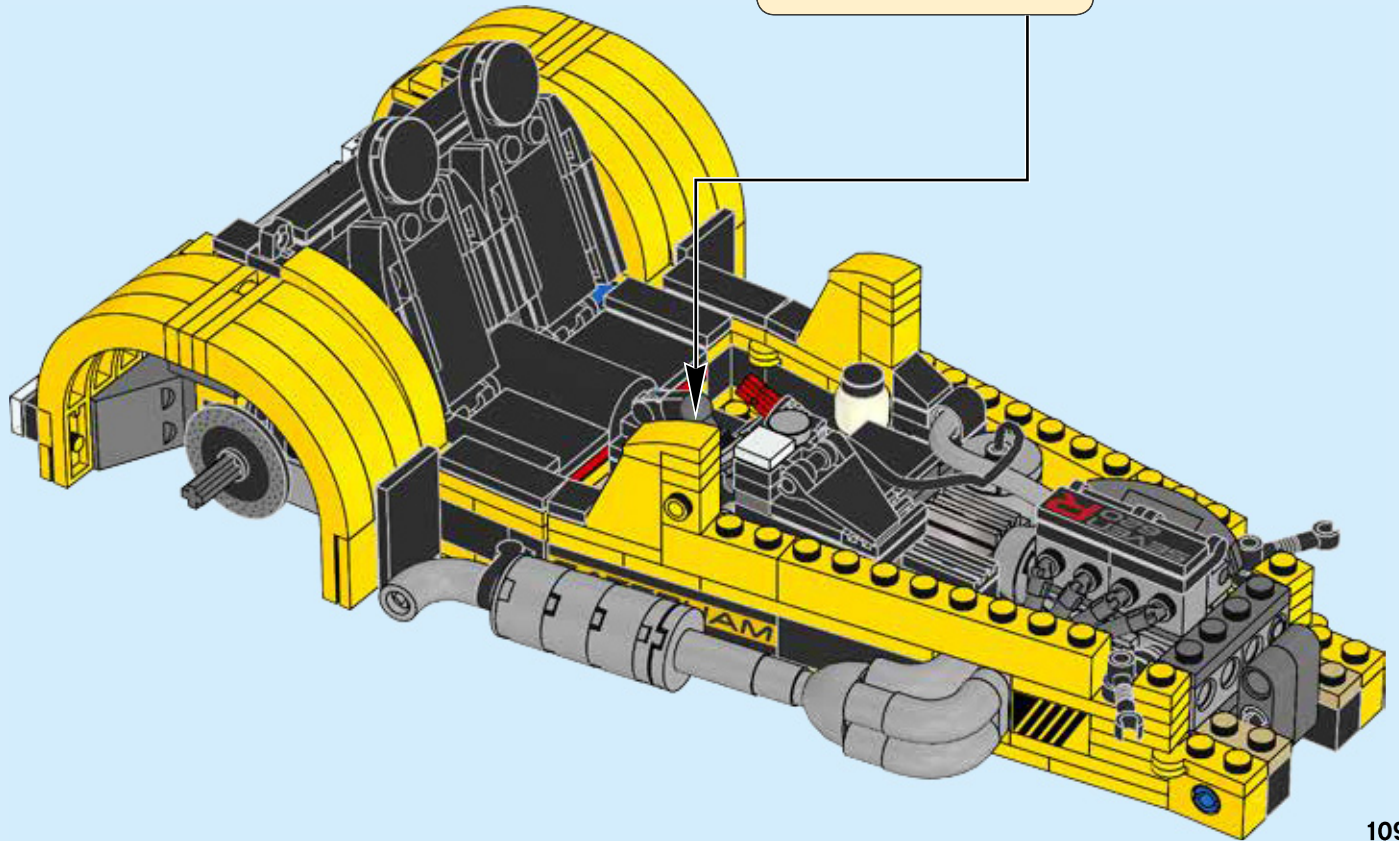
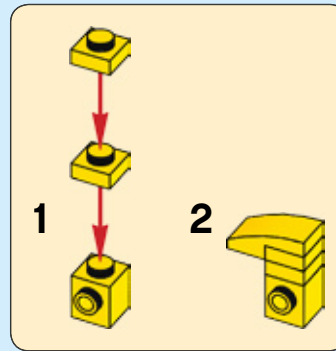


138





139





2x

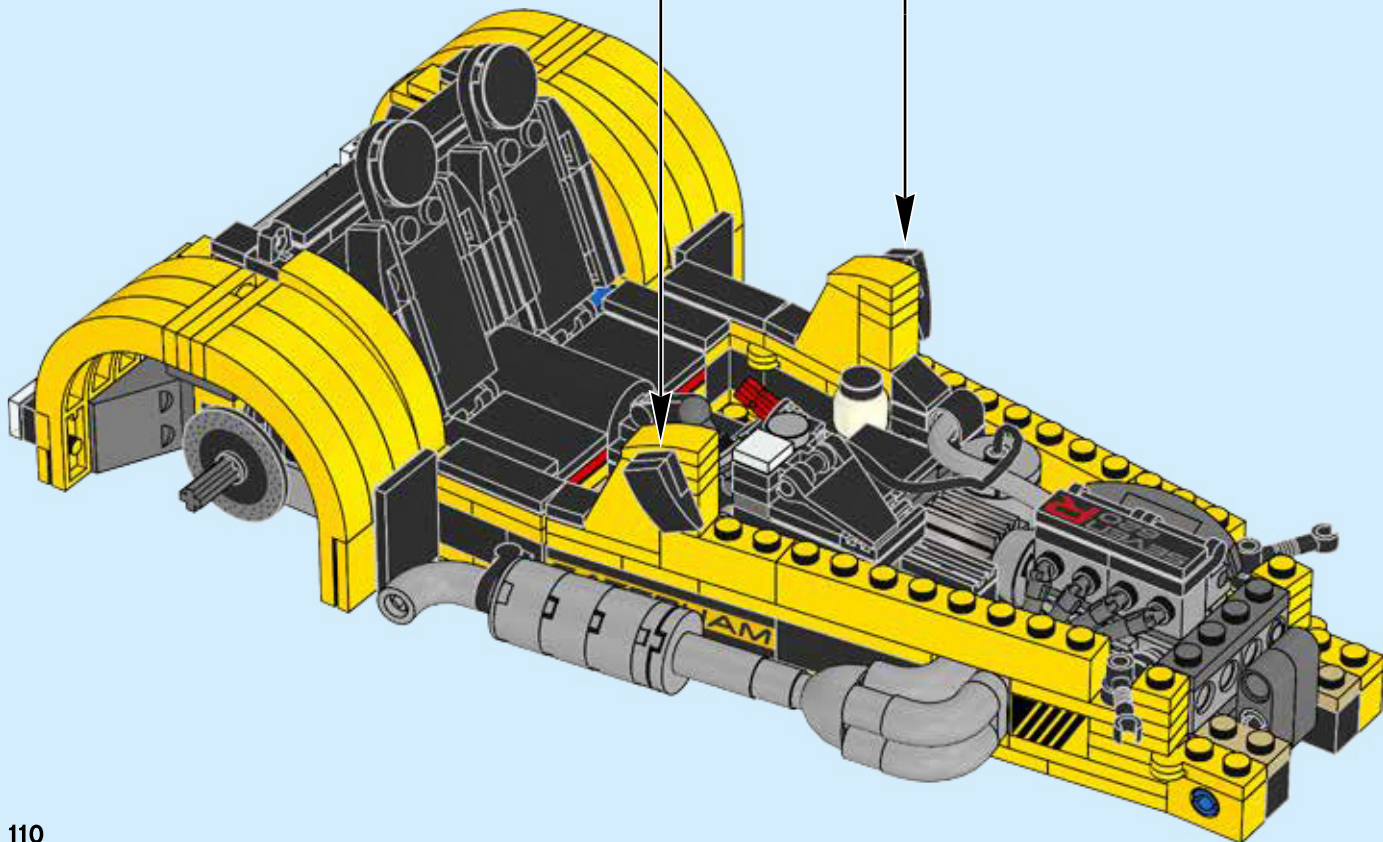


2x



2x

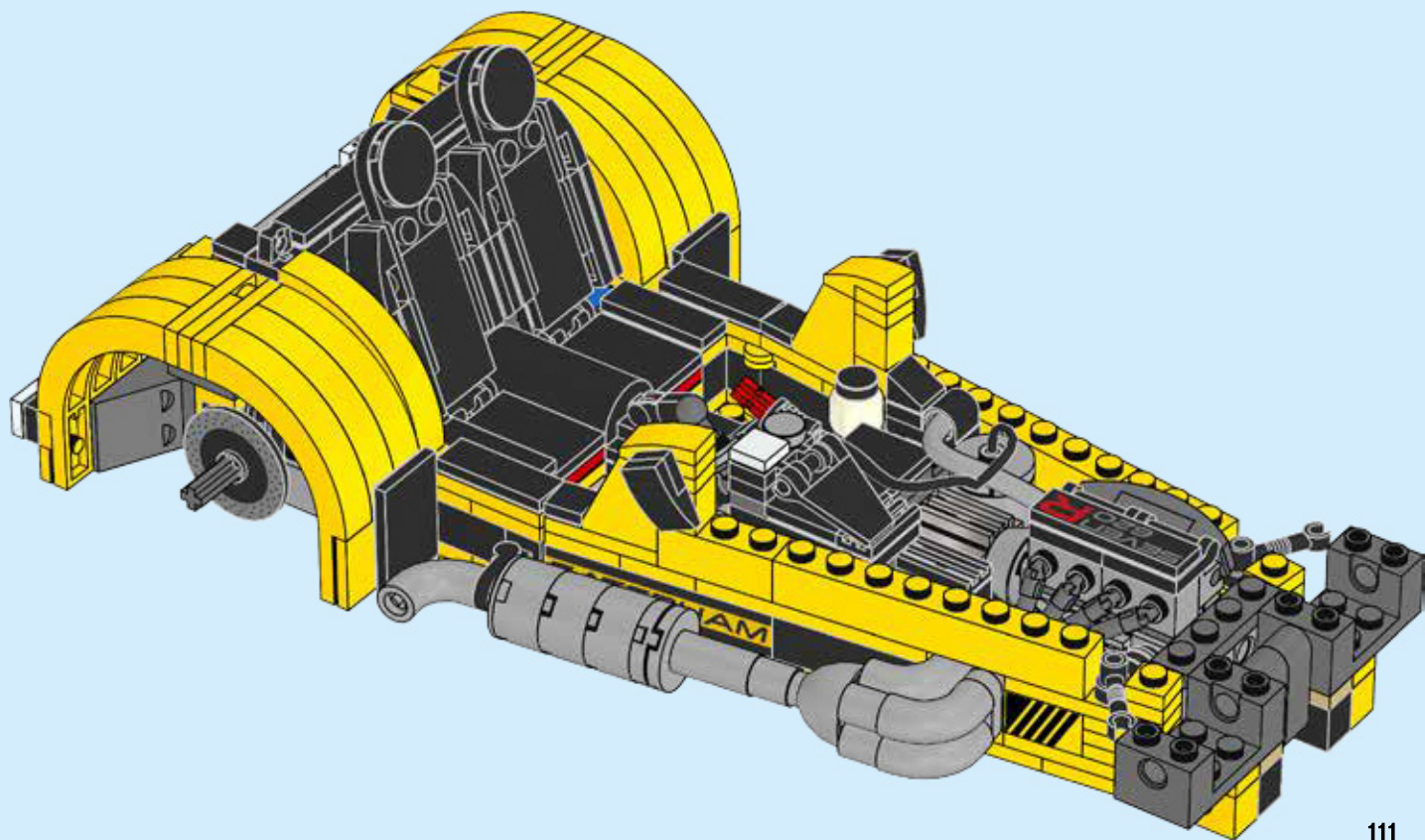
140

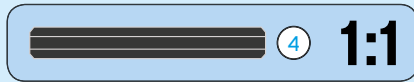
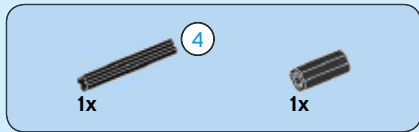




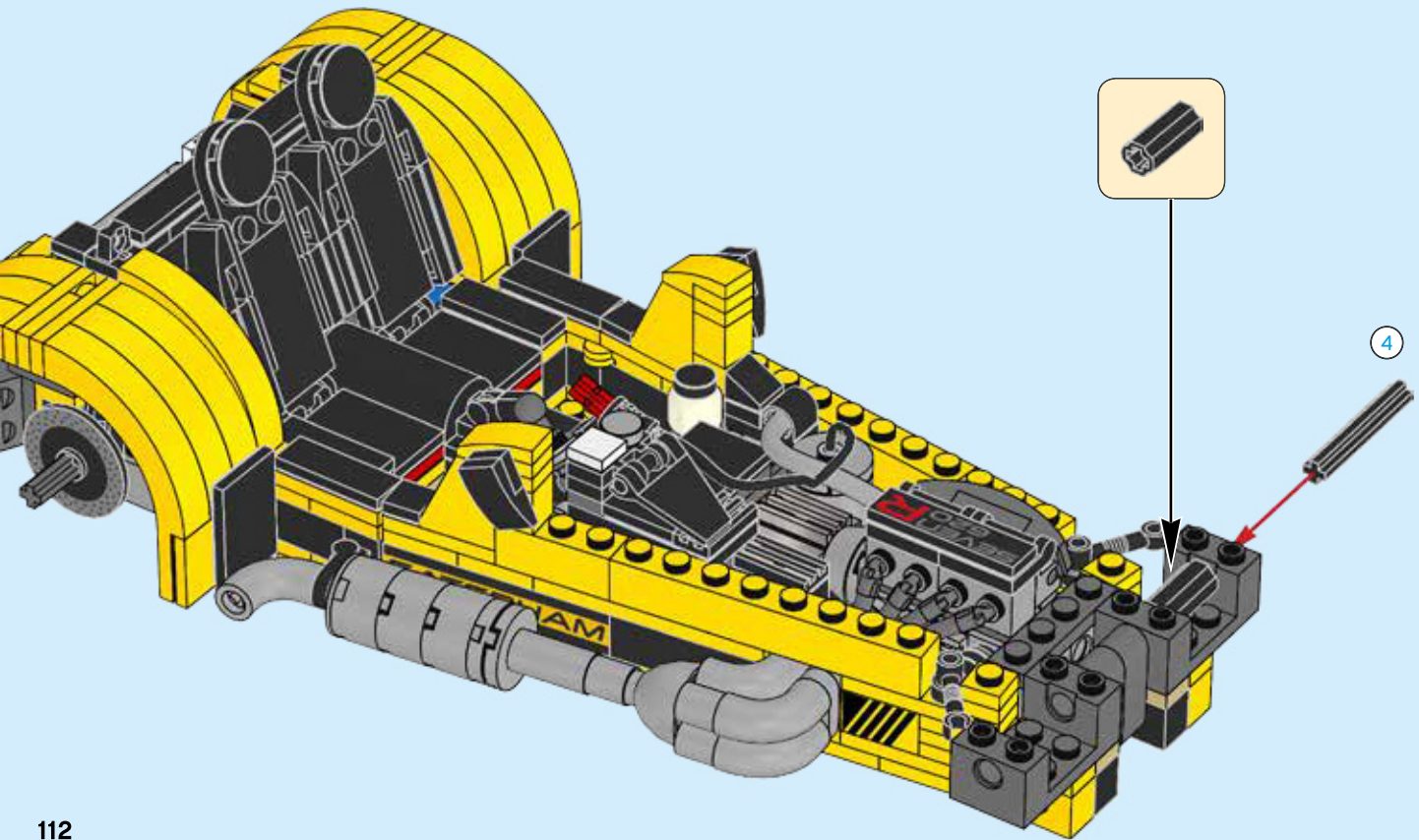
2x

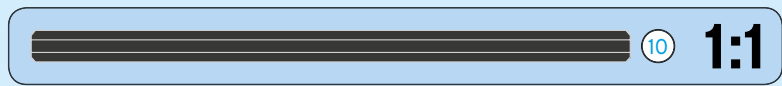
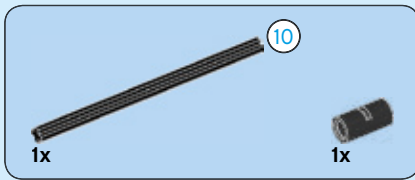
141



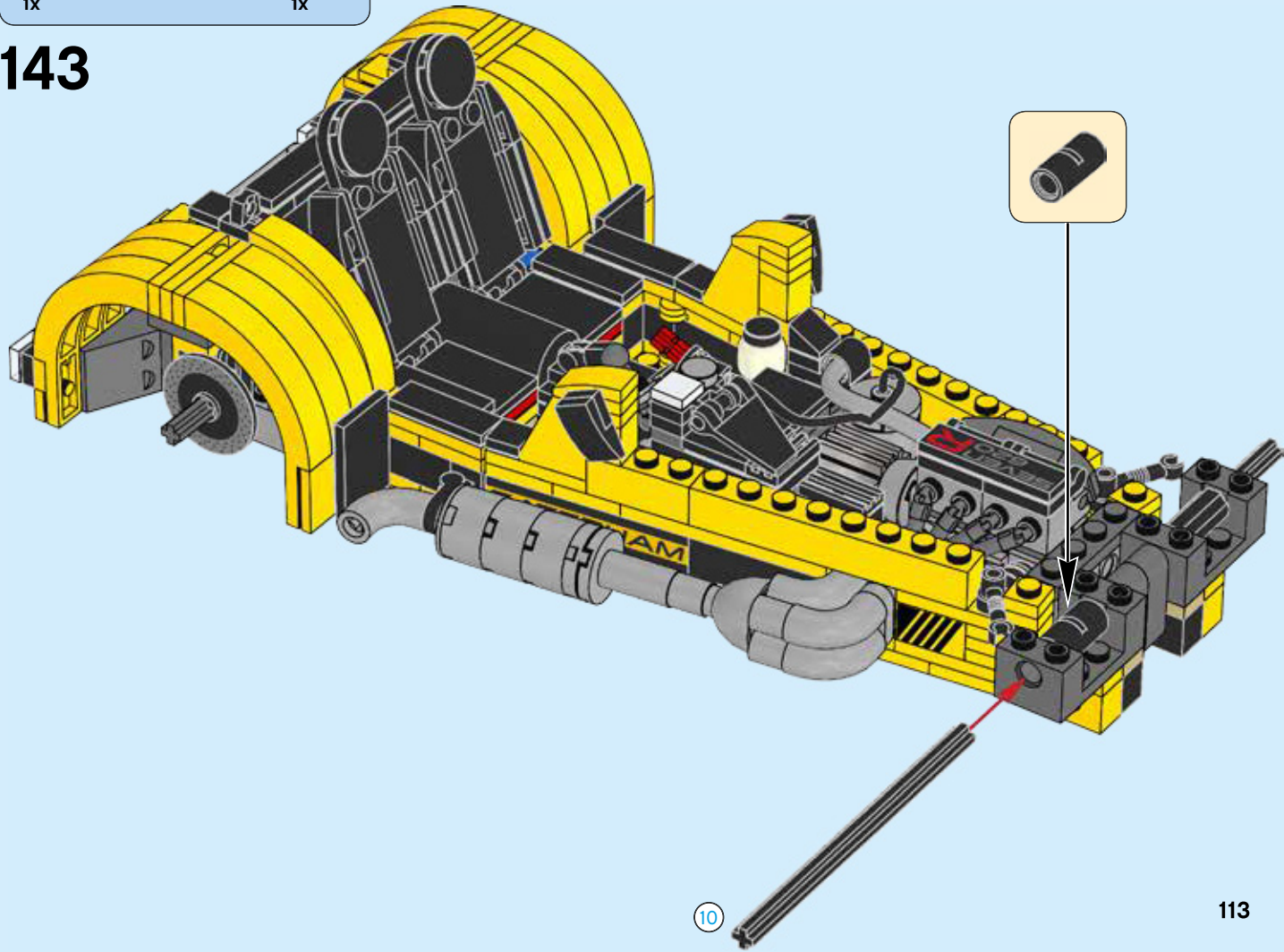


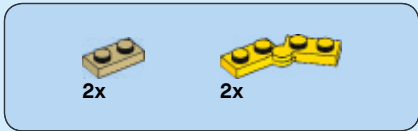
142



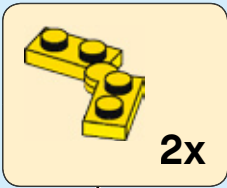
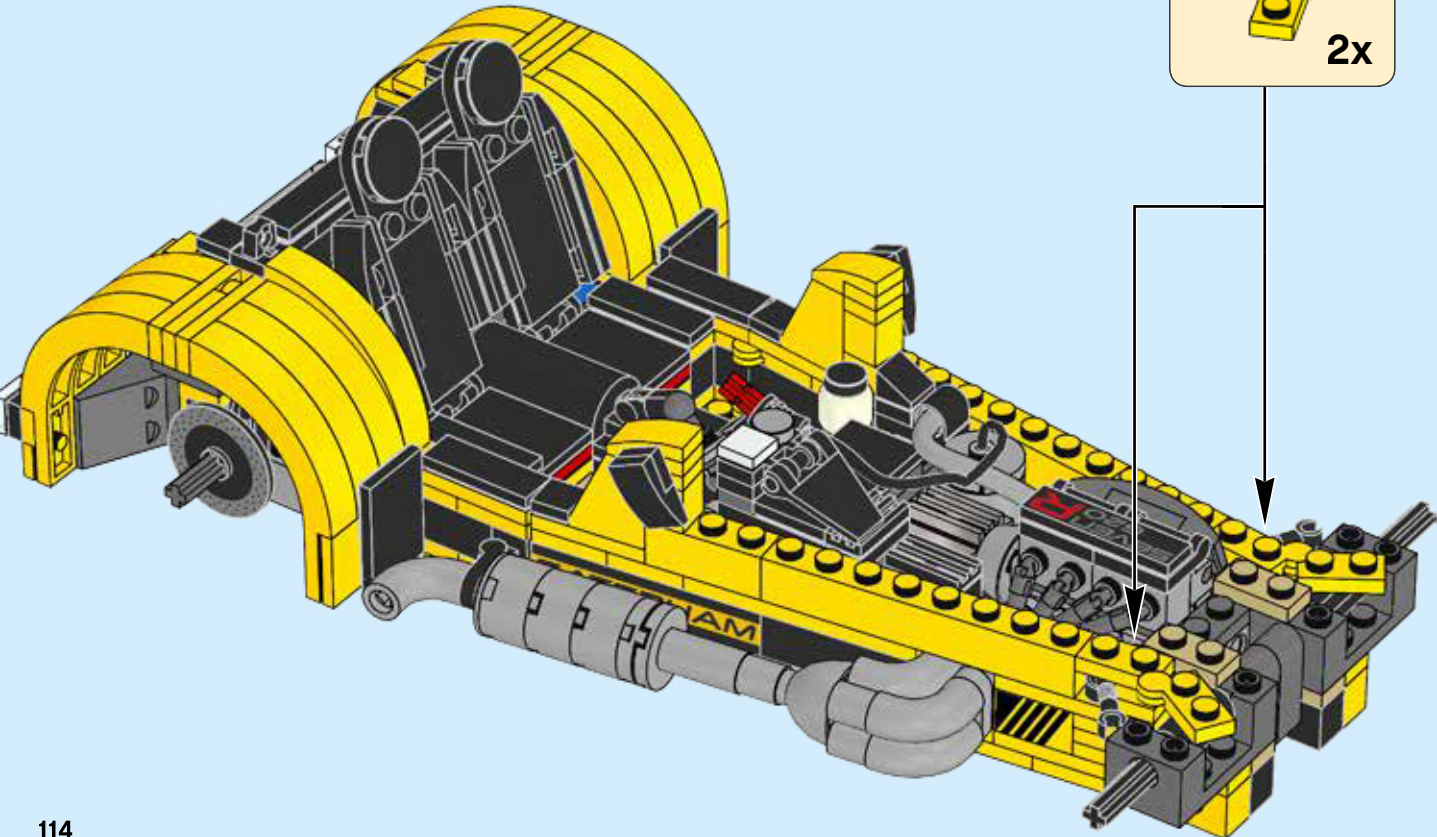


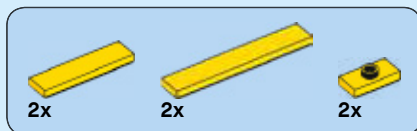
143



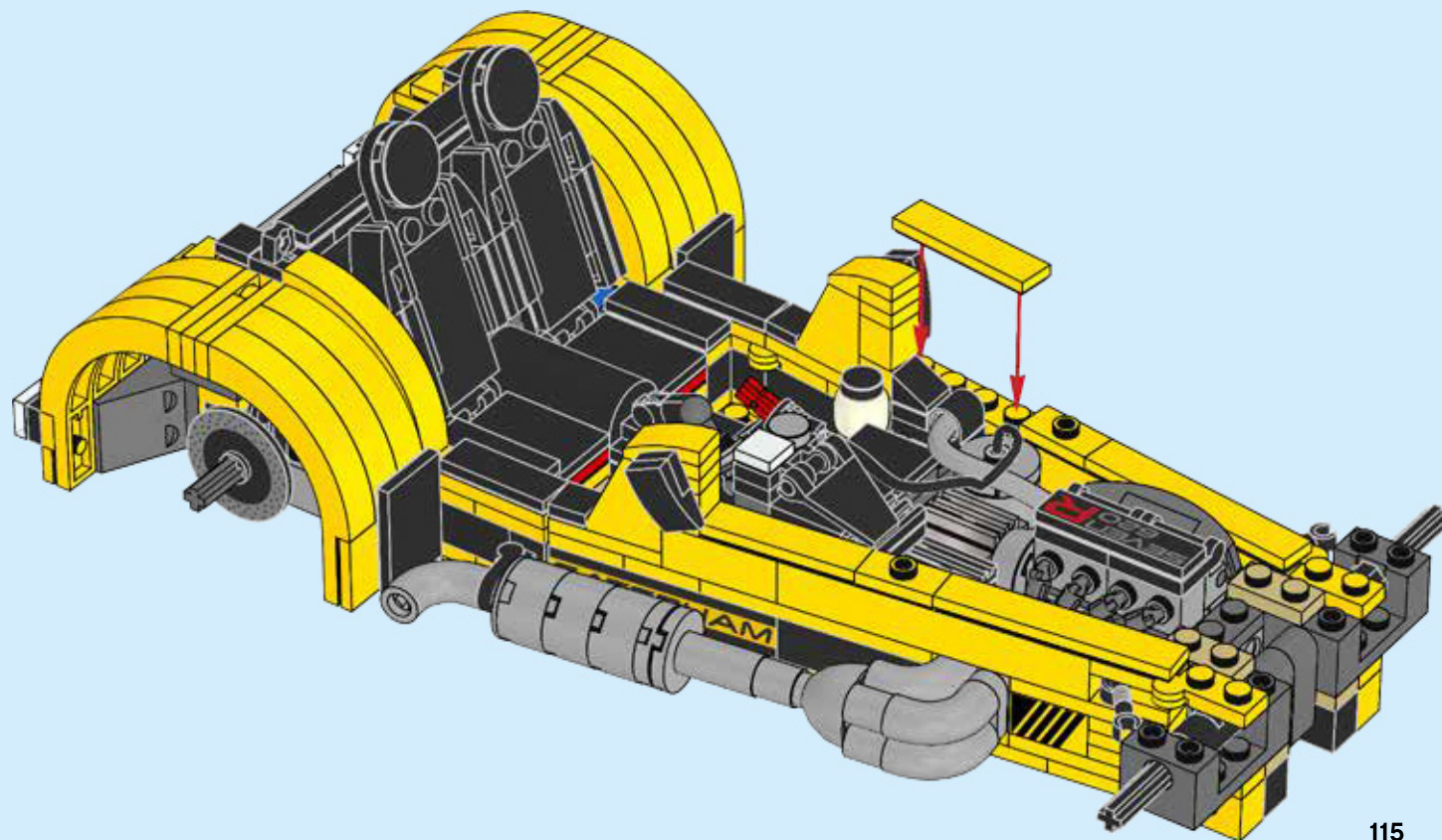


144



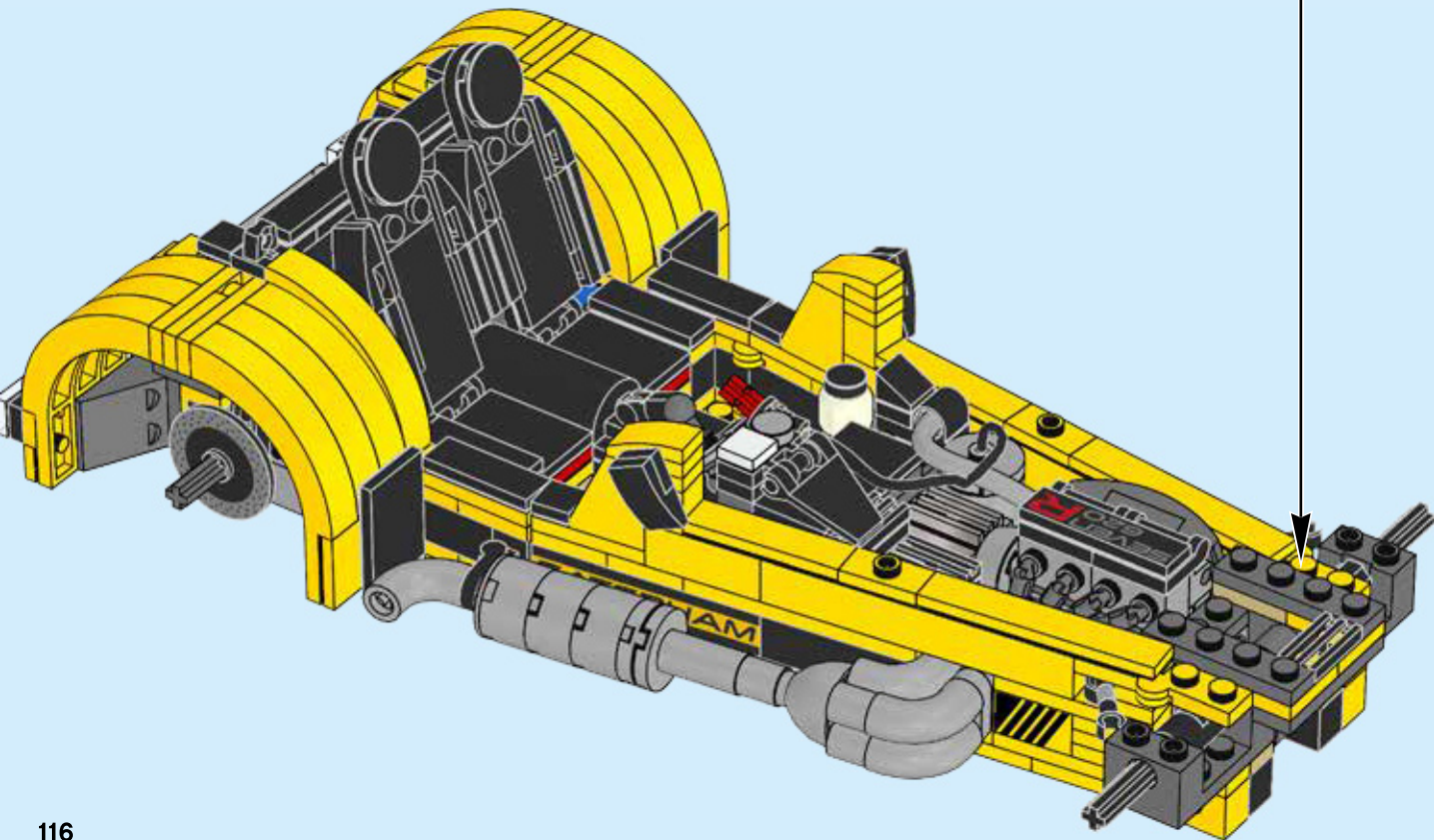
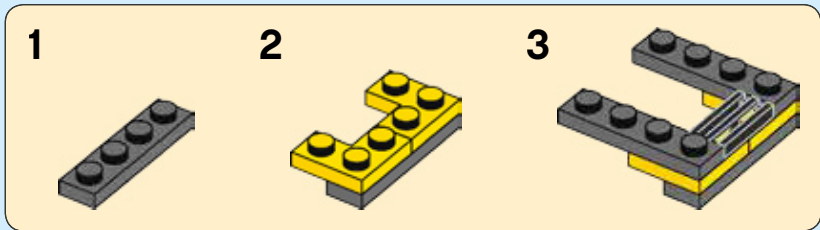


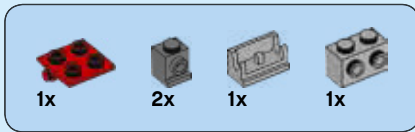
145



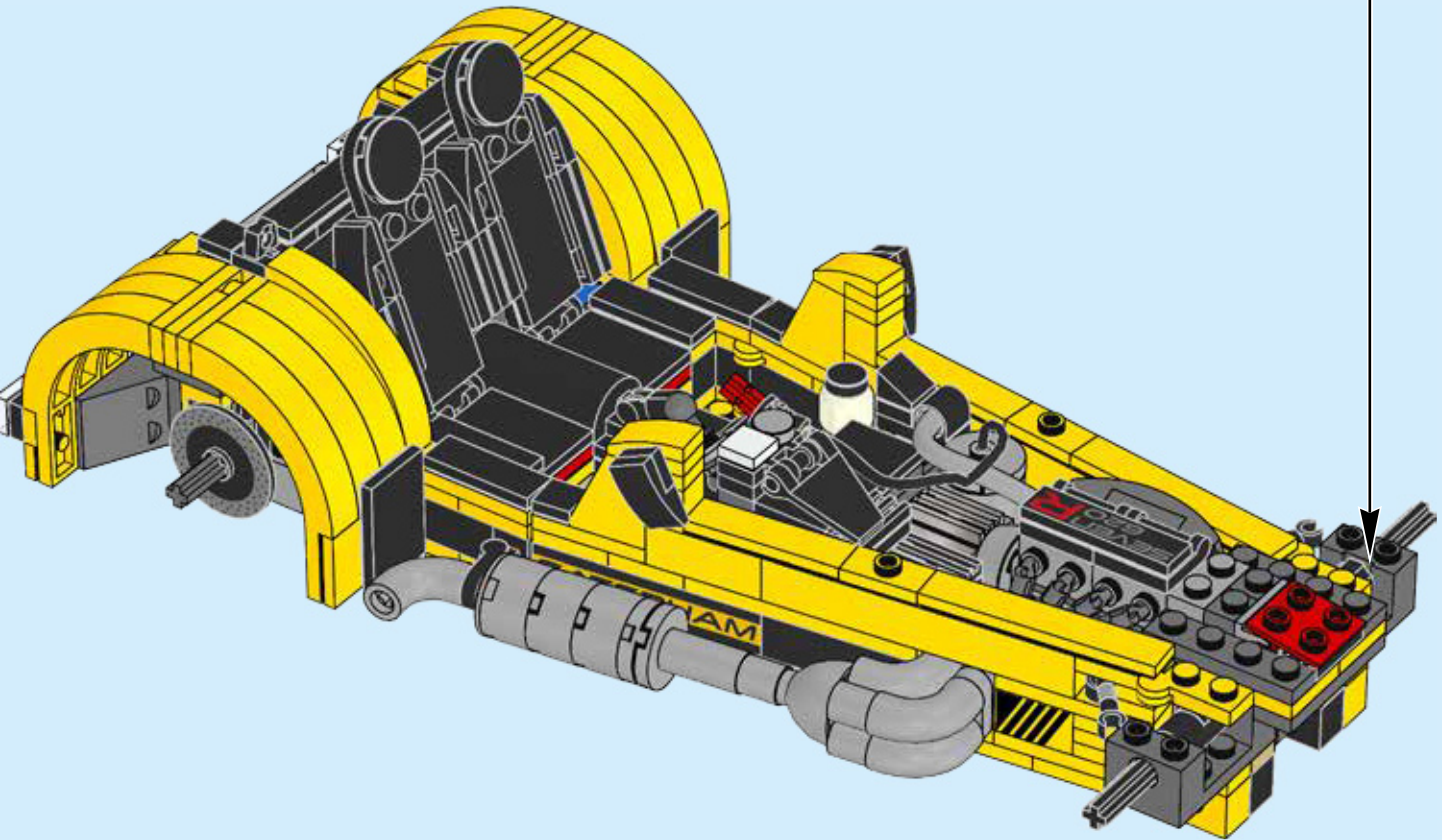
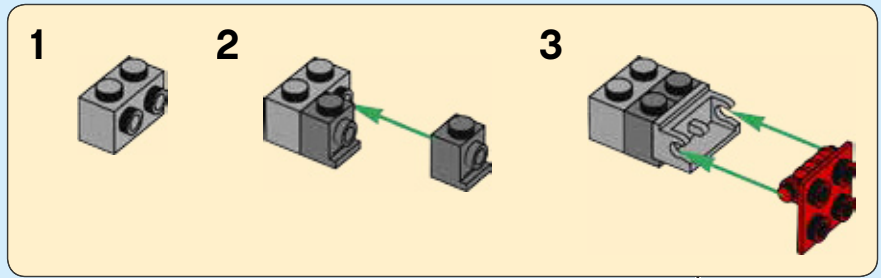


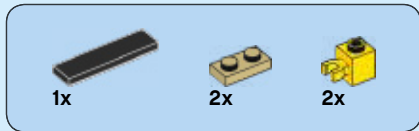
146



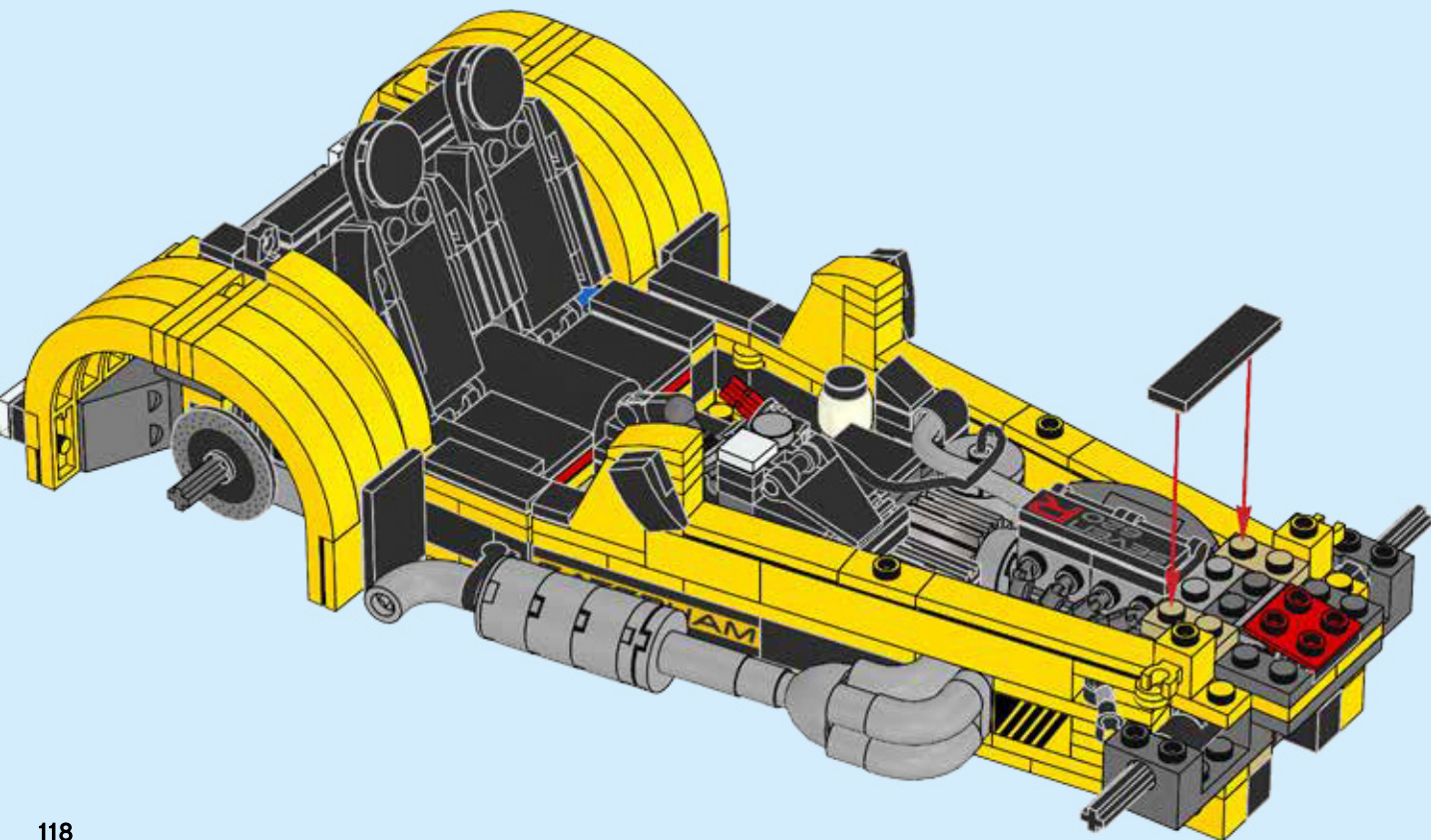


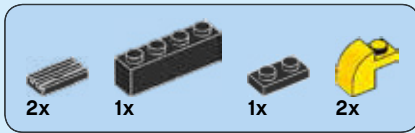
147



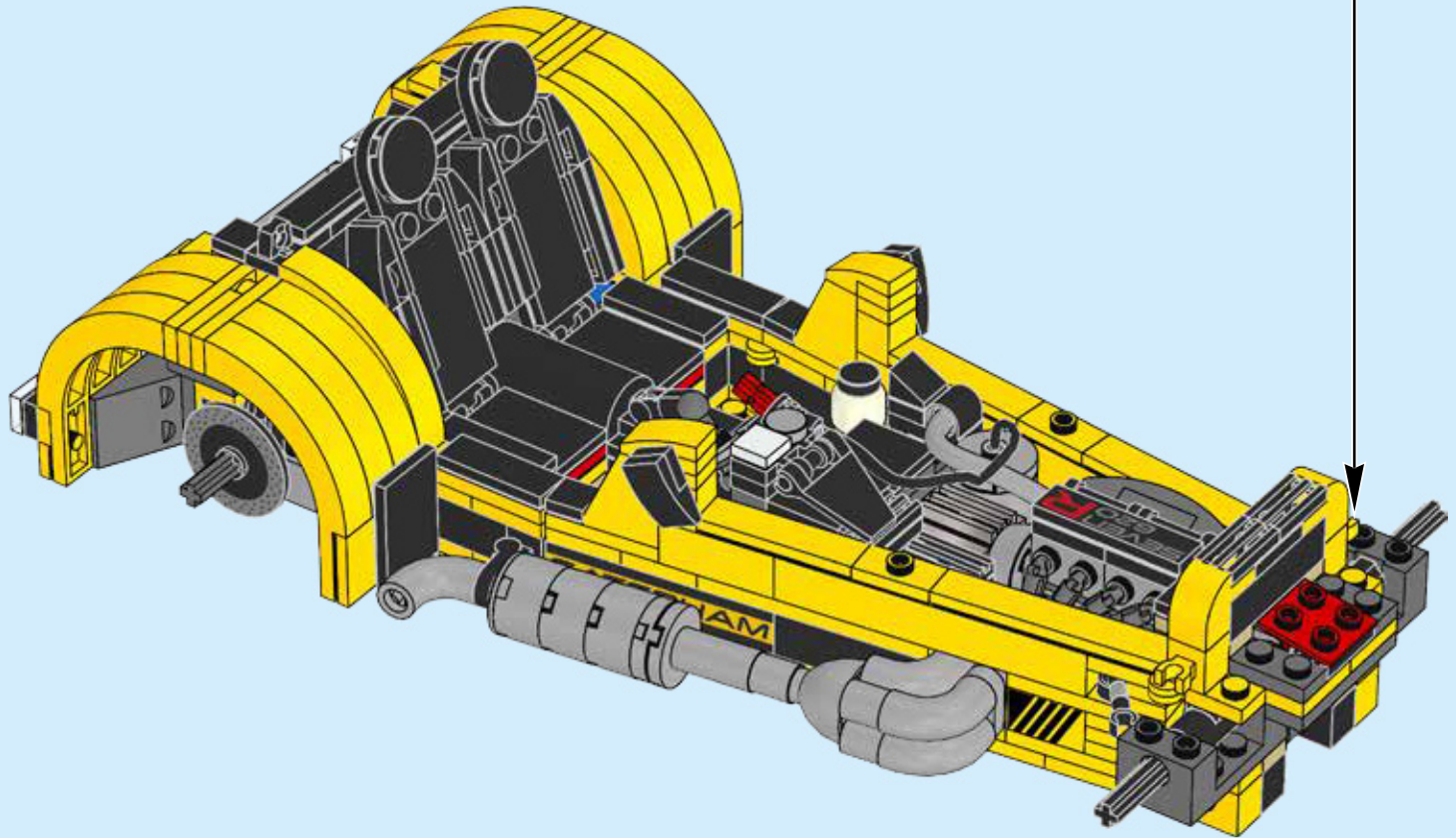
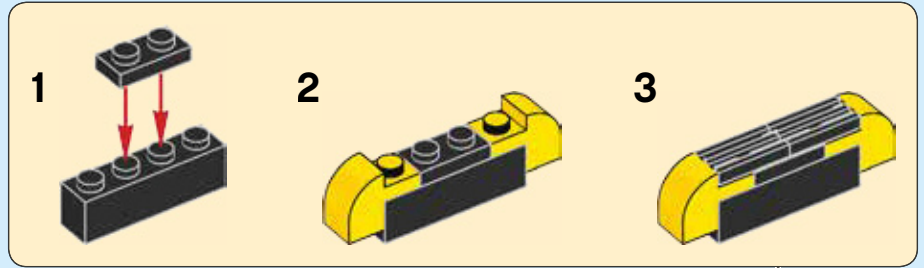


148





149





1x

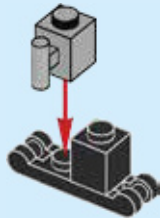


1x



1x

150

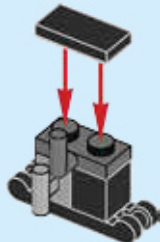


1x



1x

151

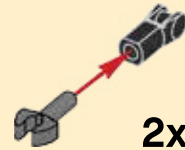


2x

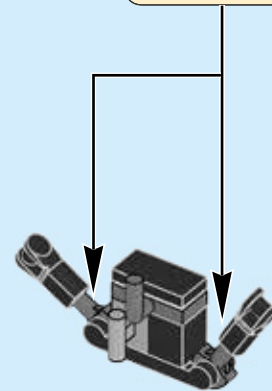


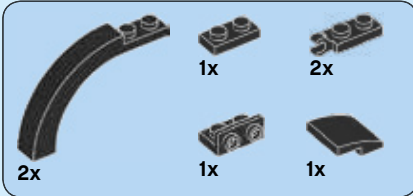
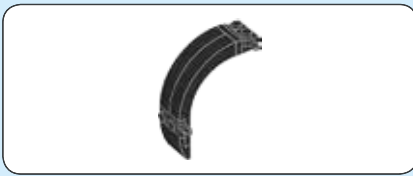
2x

152



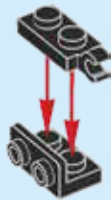
2x



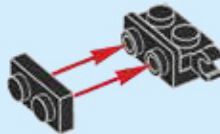


153

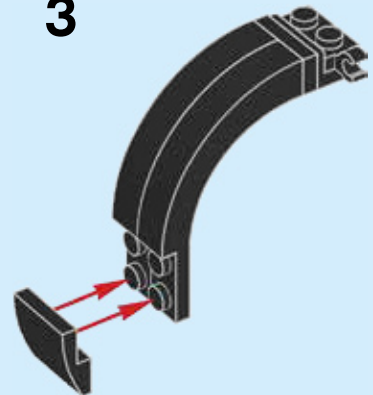
1



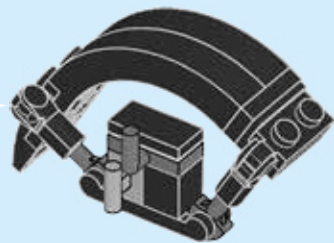
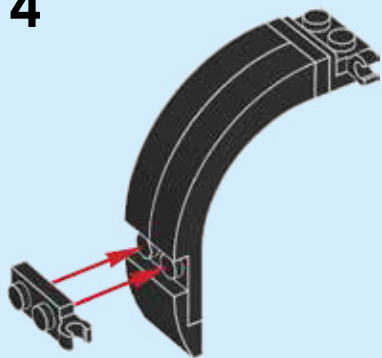
2



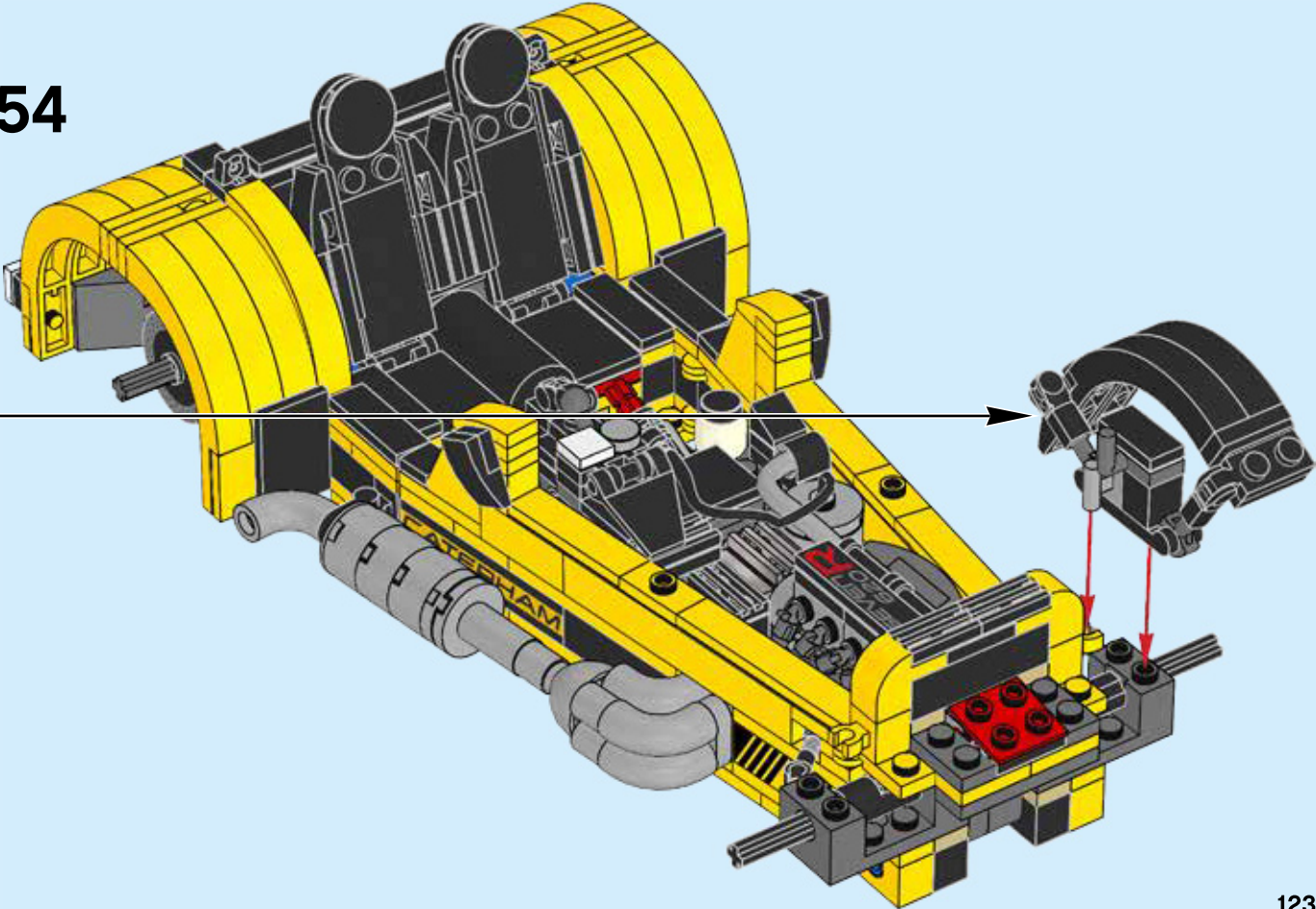
3



4



154





1x

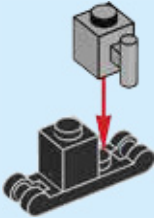


1x



1x

155

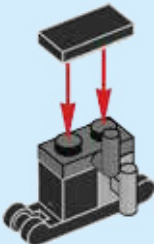


1x



1x

156

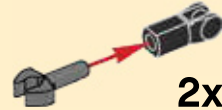


2x

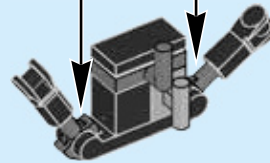


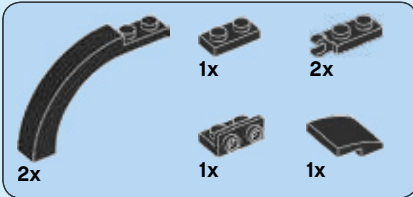
2x

157

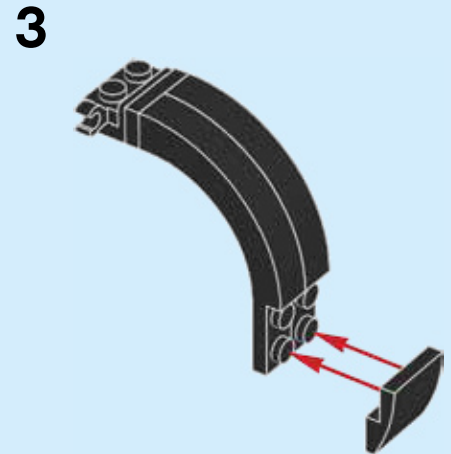
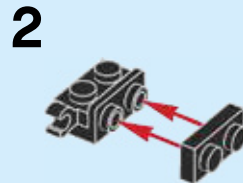
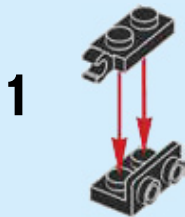


2x

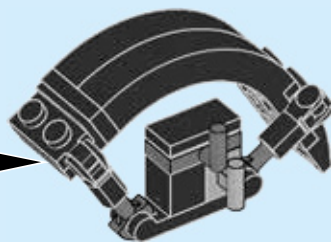
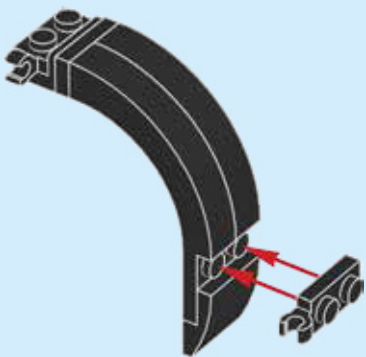




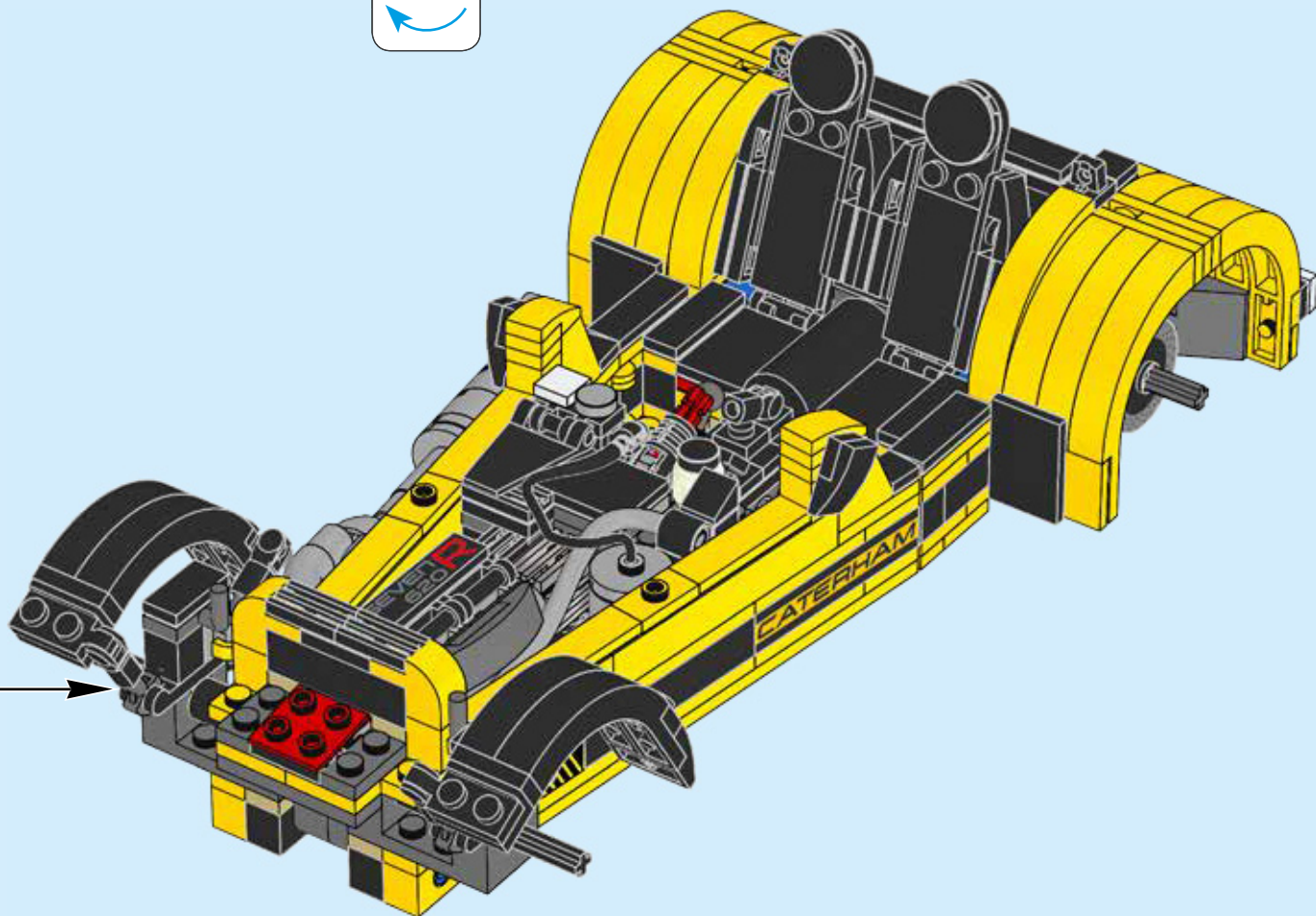
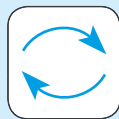
158



4



159





2x

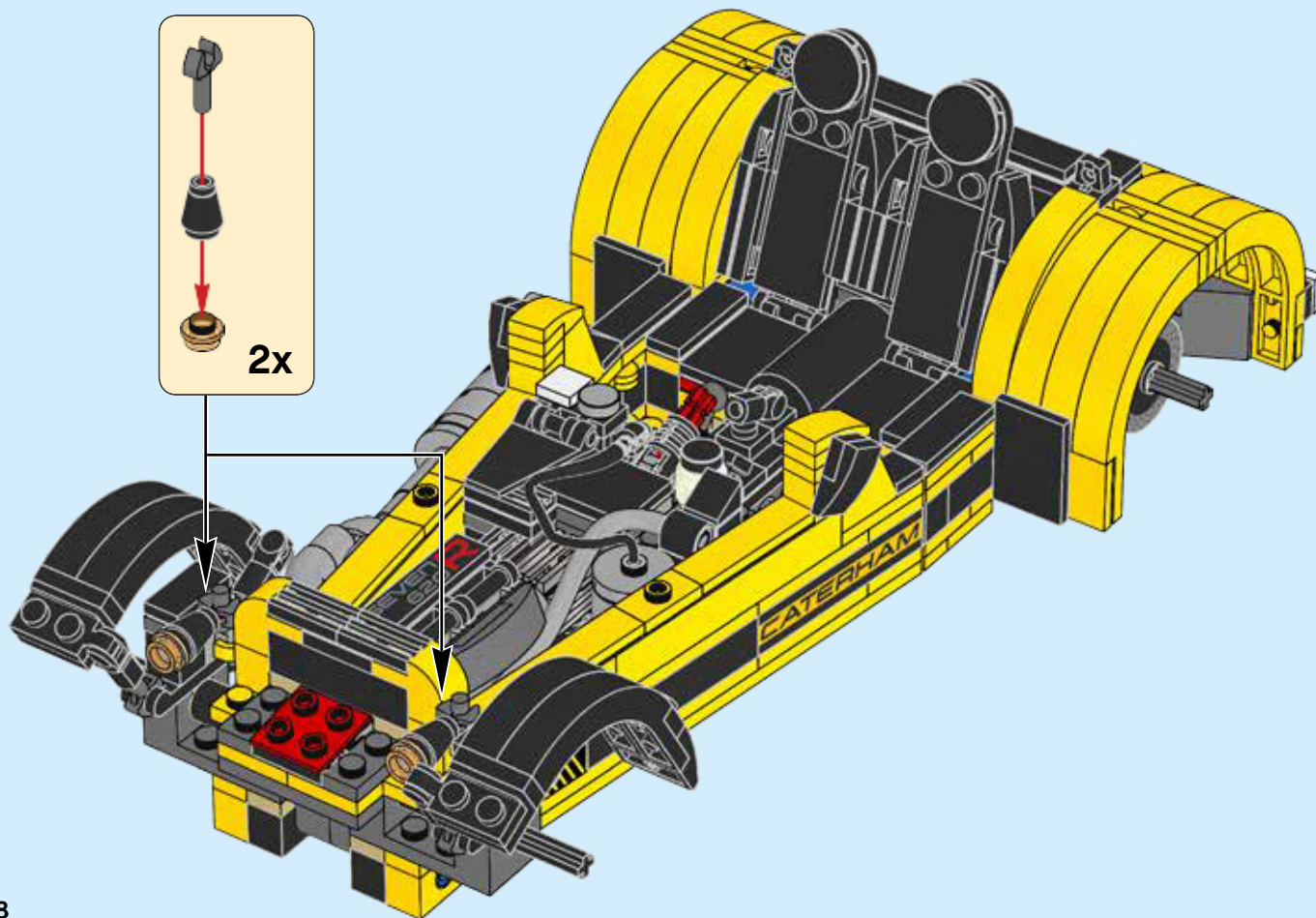
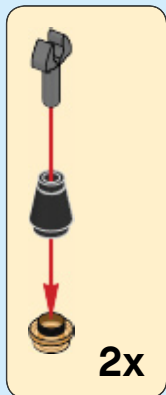


2x



2x

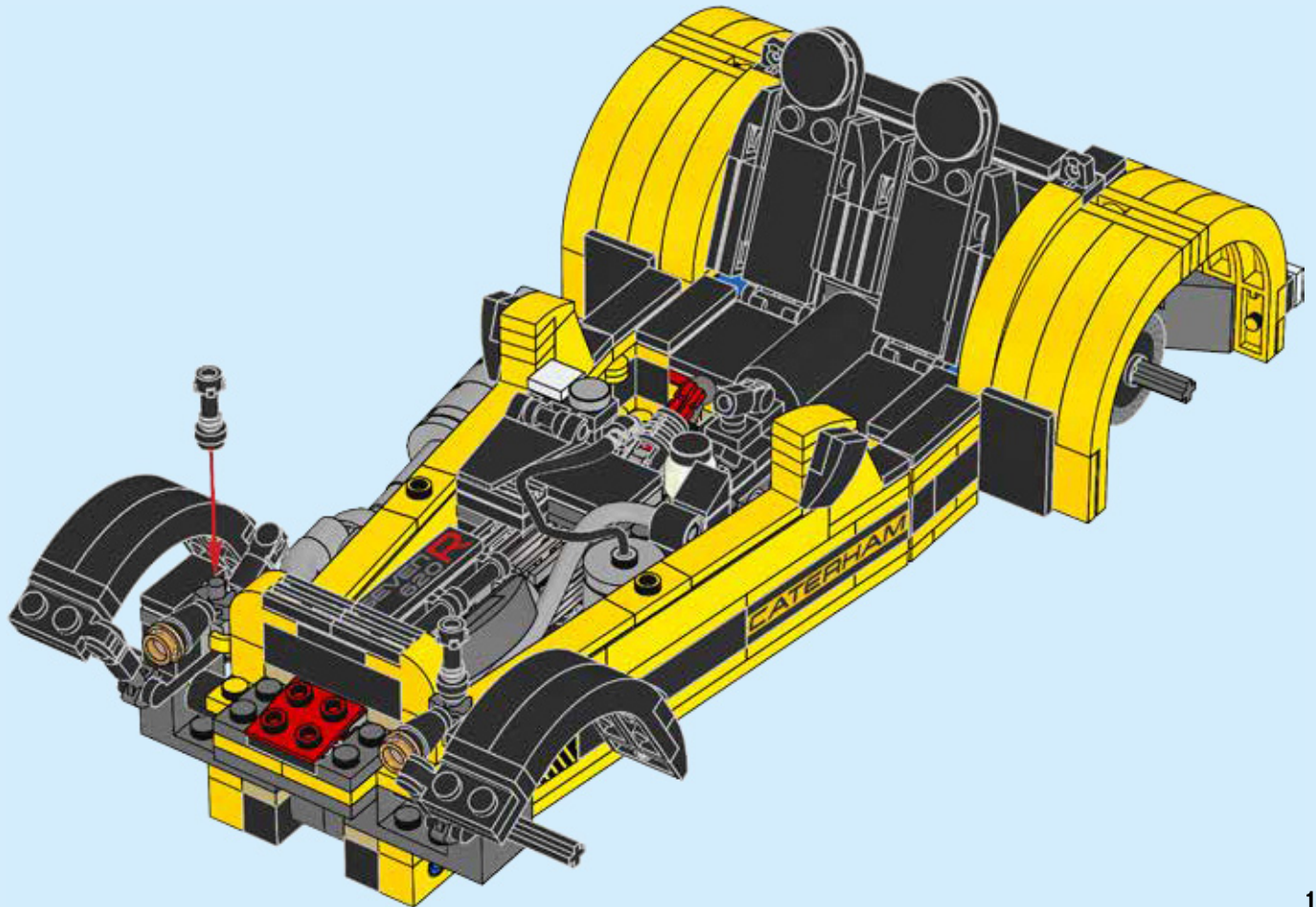
160

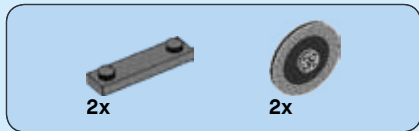




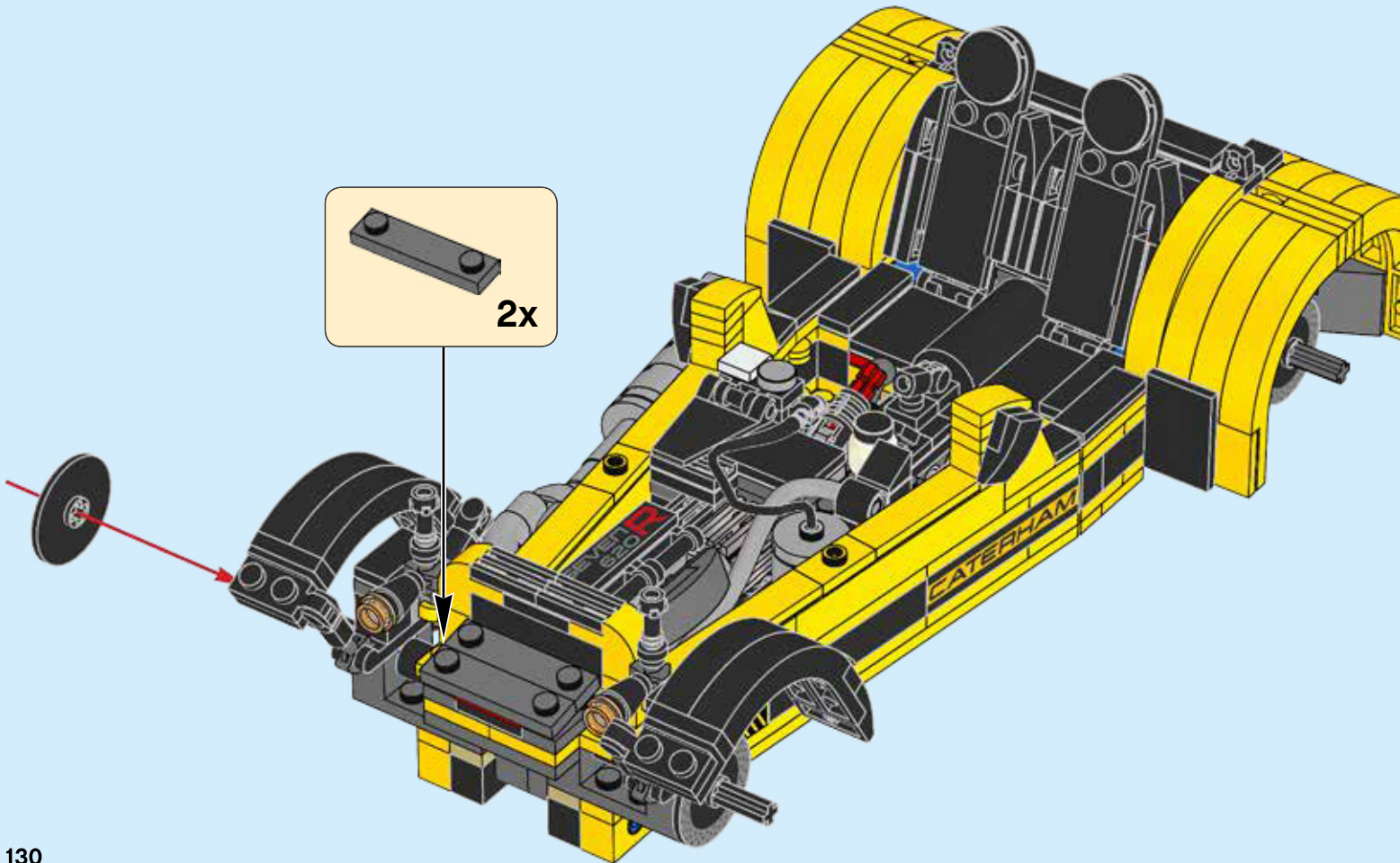
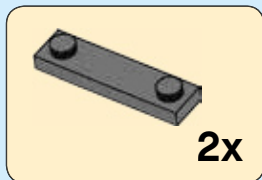
2x

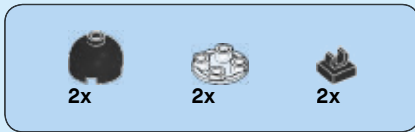
161



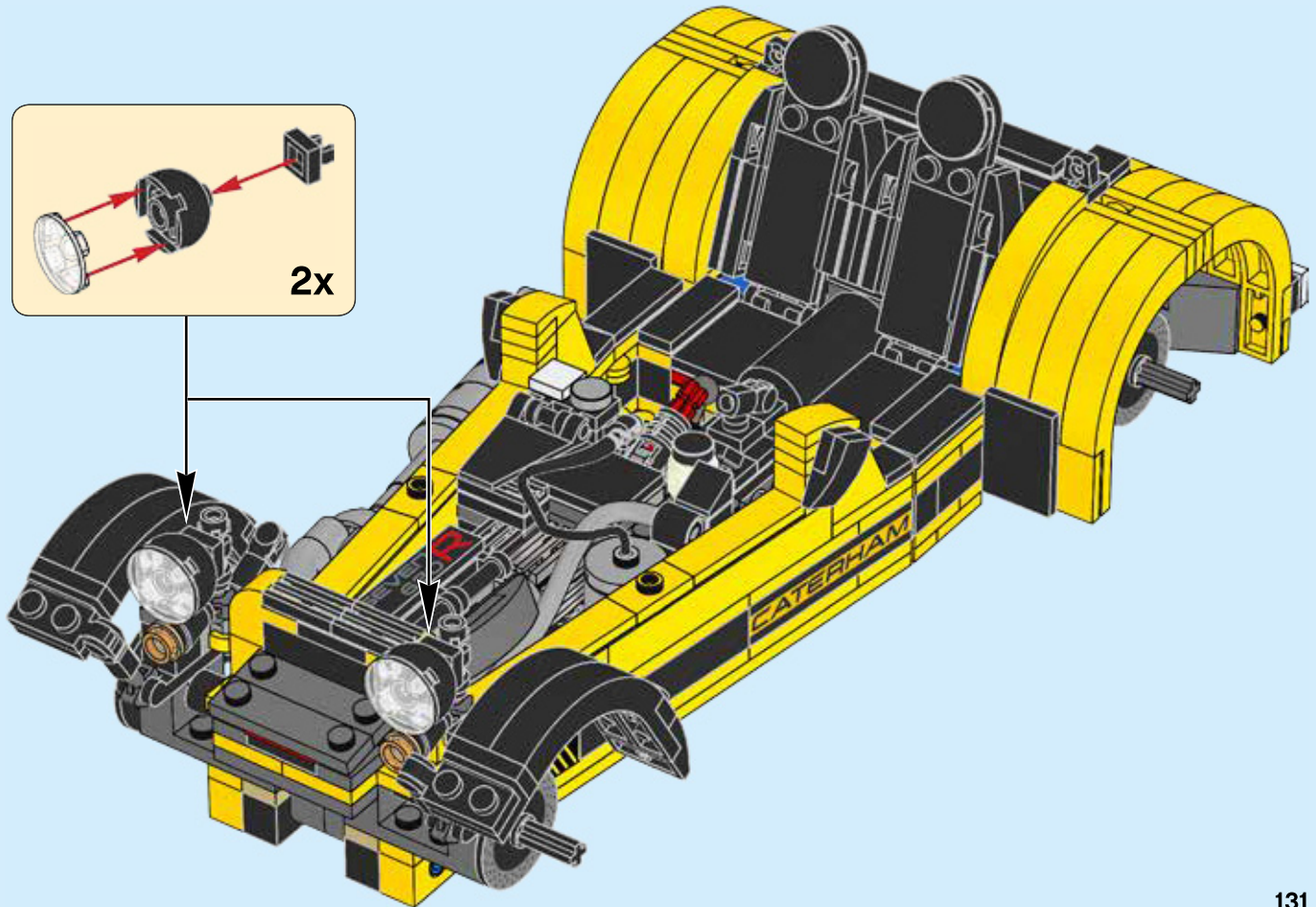
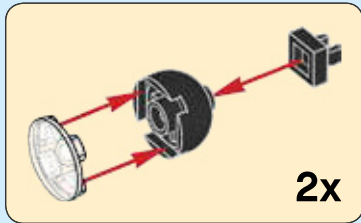


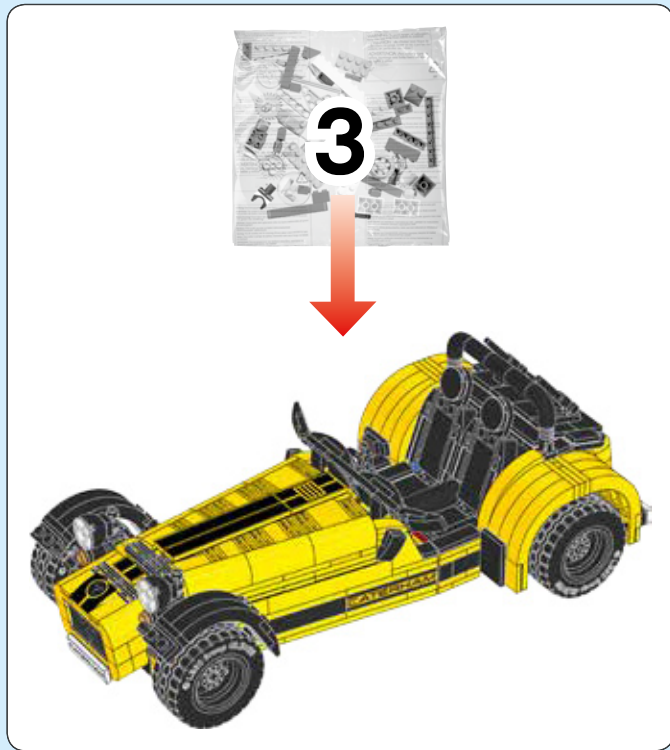
162



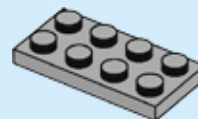


163

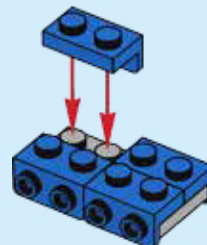


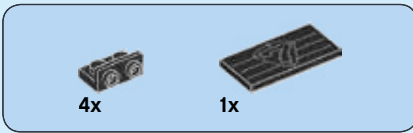


164

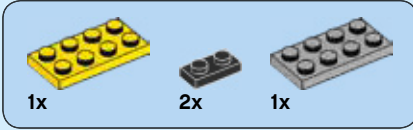
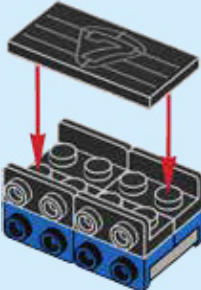


165

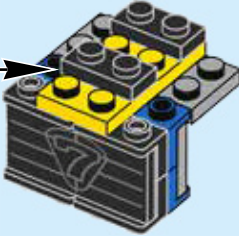
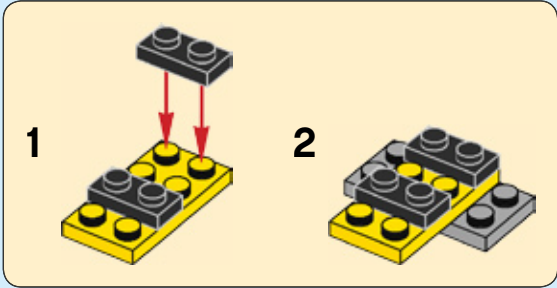


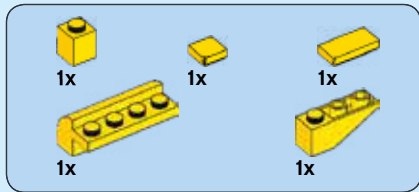


166

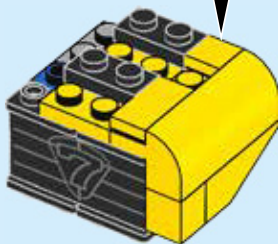
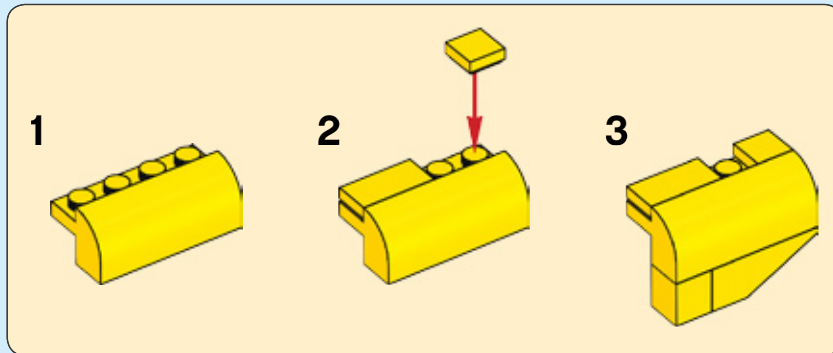


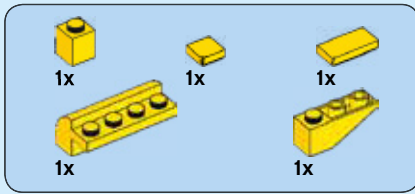
167



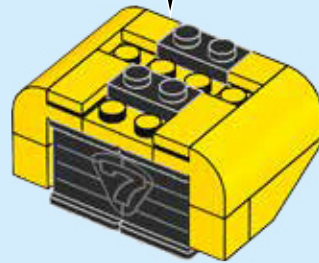
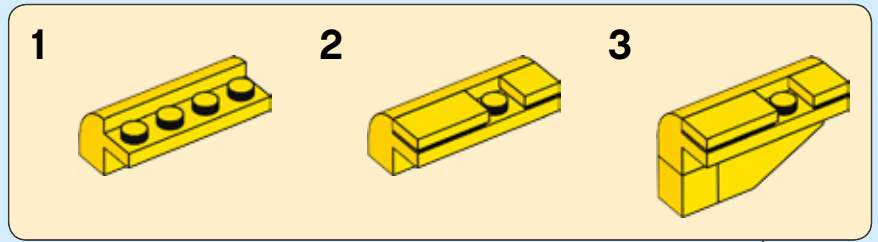


168





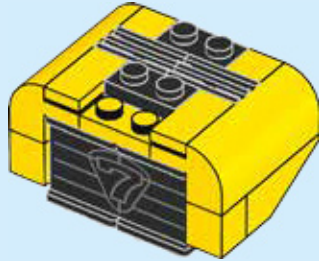
169





2x

170

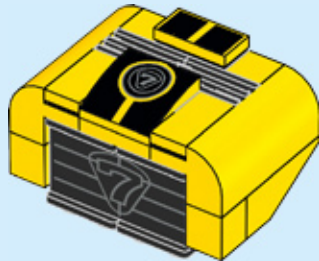


1x



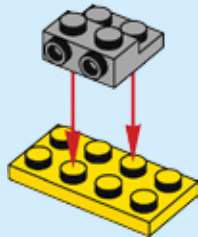
1x

171

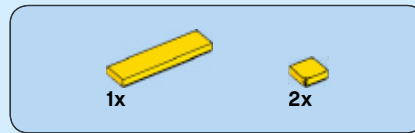
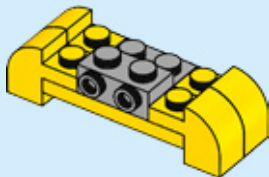




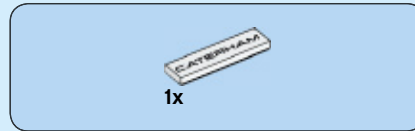
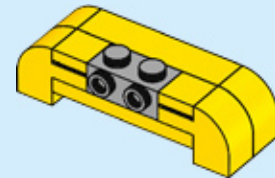
172



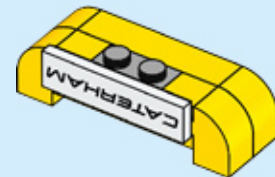
173



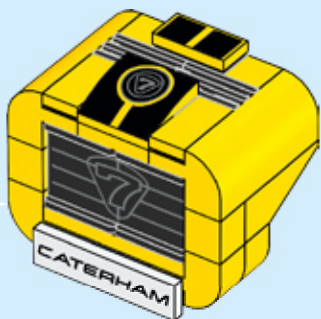
174



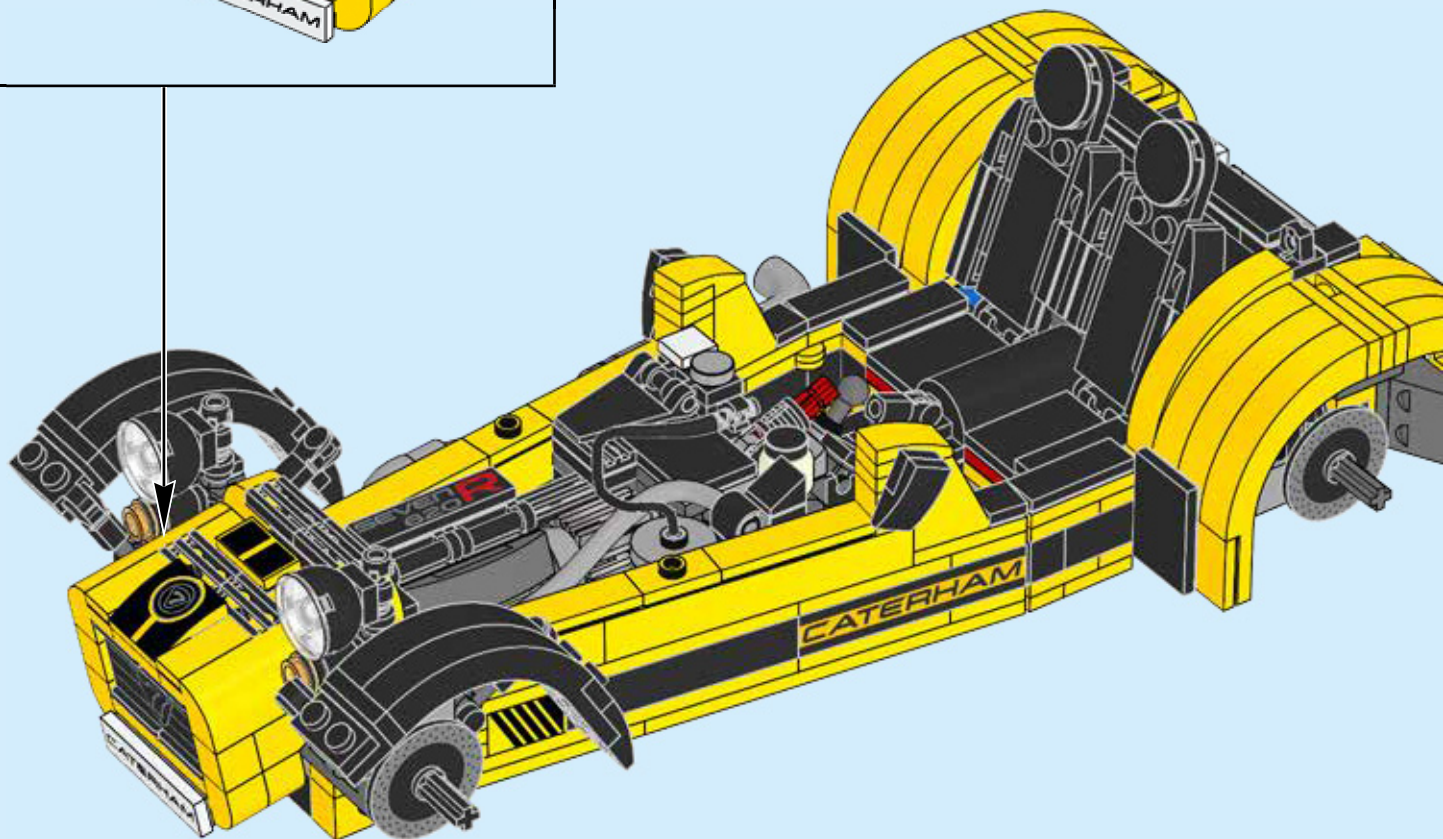
175

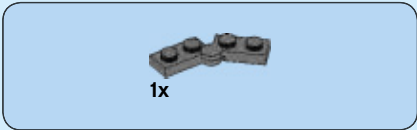
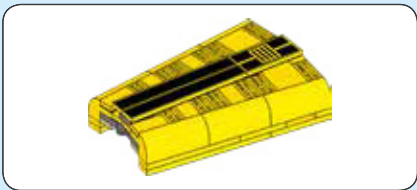


176



177





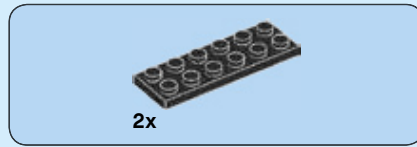
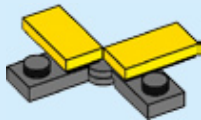
1x

178



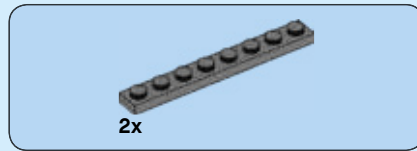
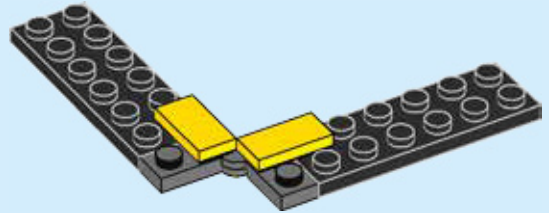
2x

179



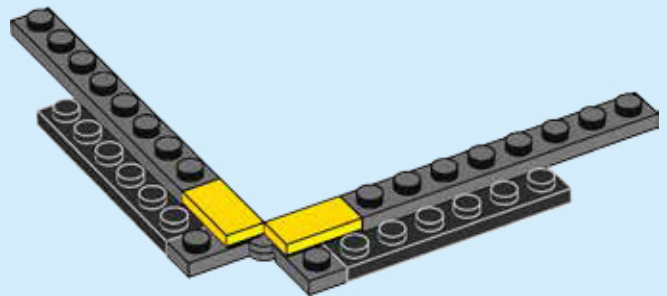
2x

180



2x

181



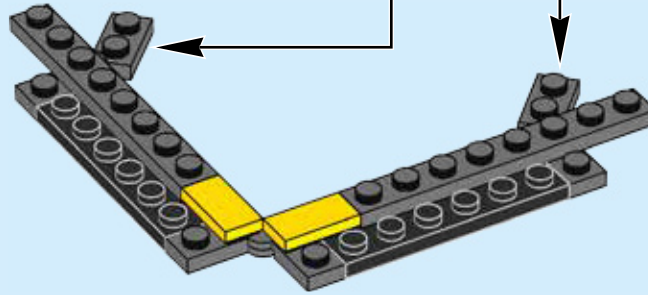


2x

182



2x

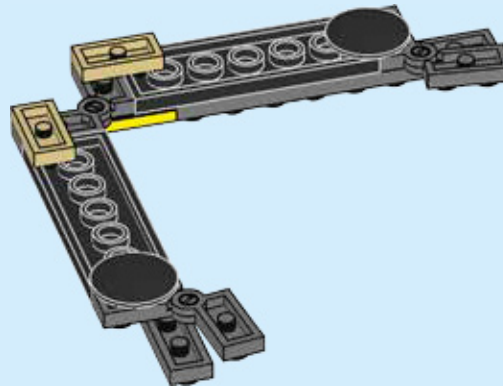
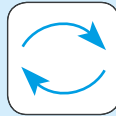


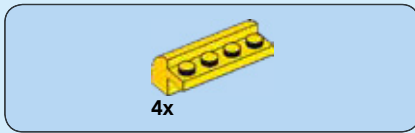
2x



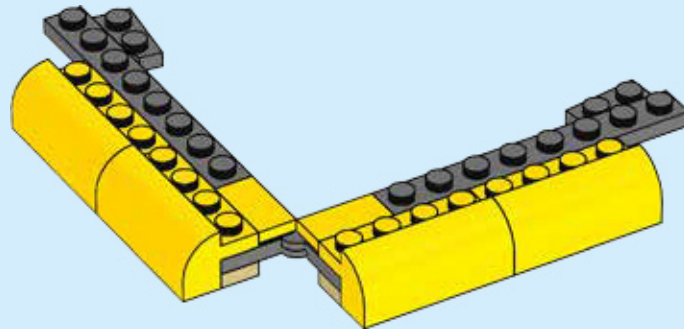
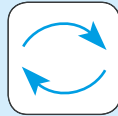
2x

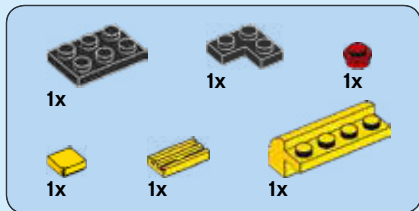
183



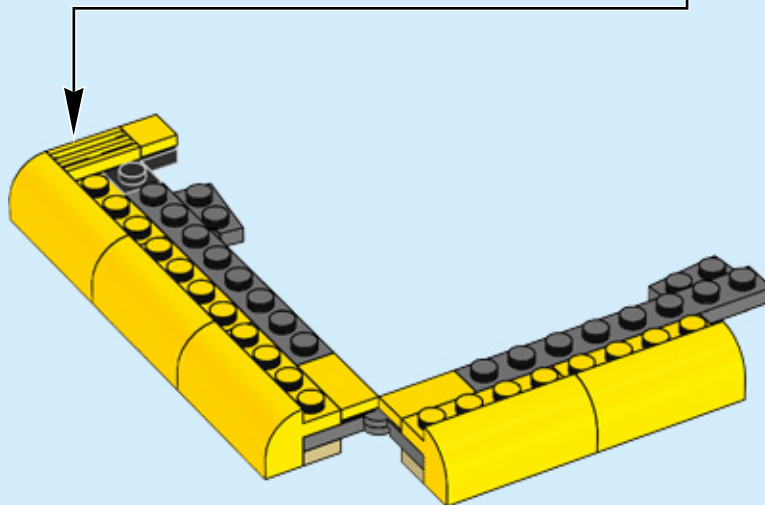
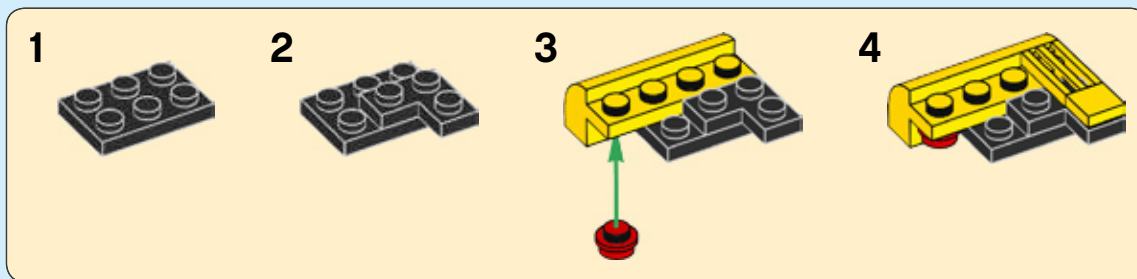


184



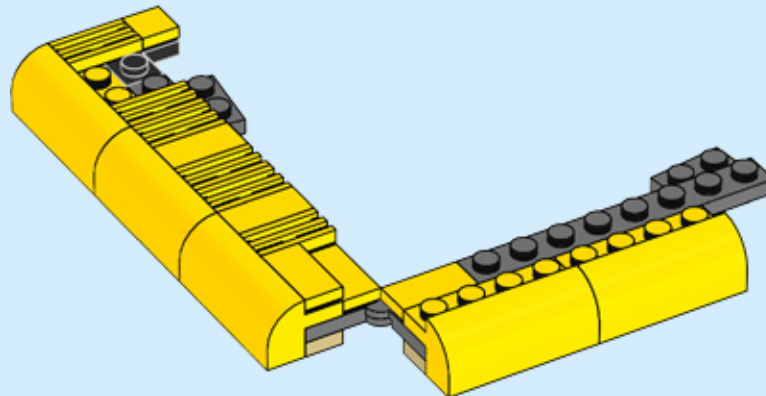


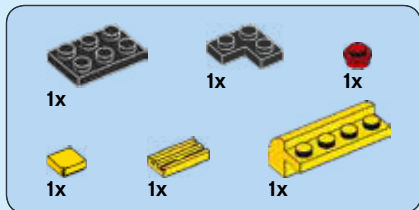
185



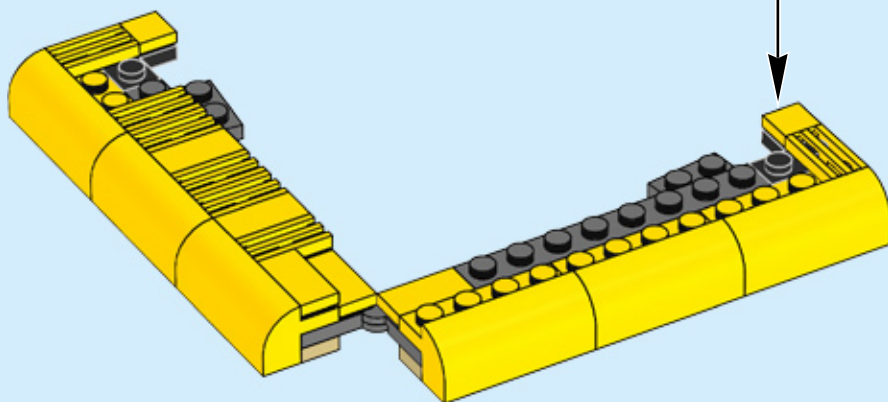
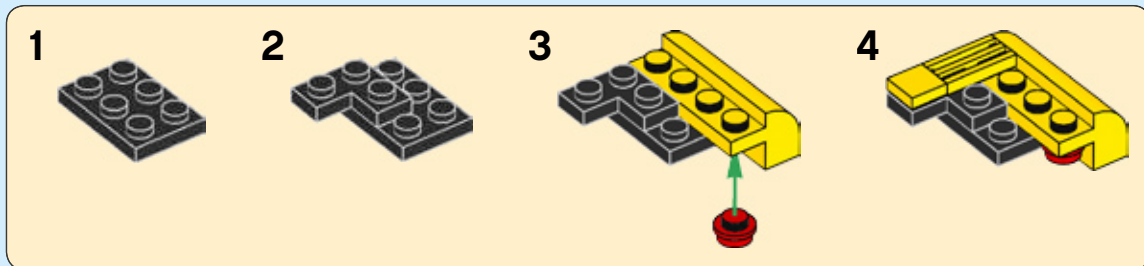


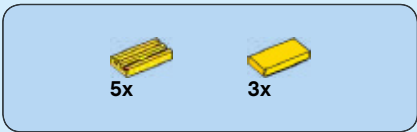
186



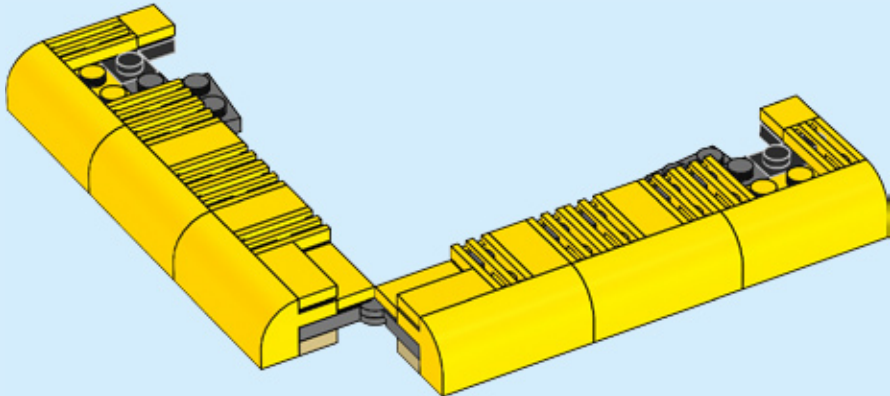


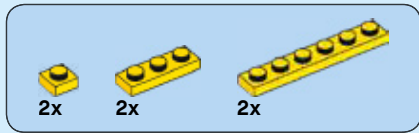
187



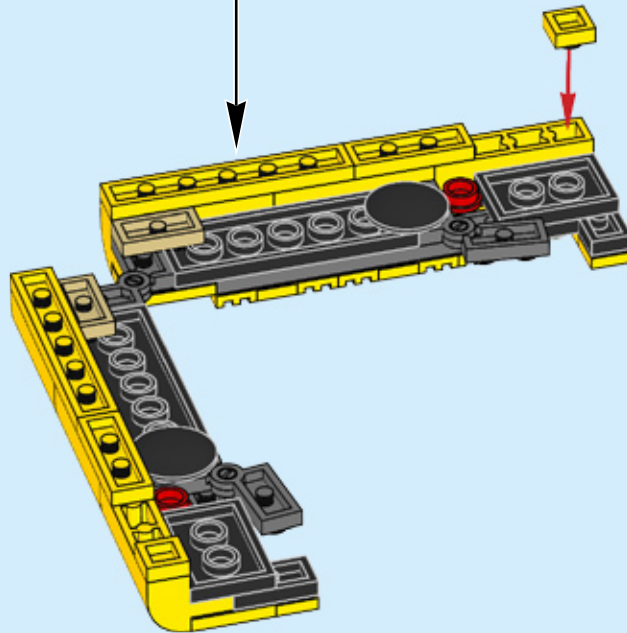
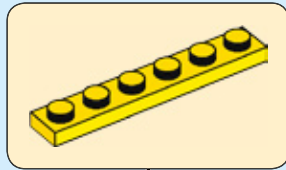
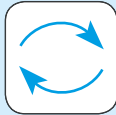


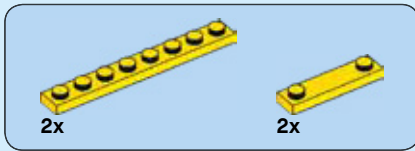
188



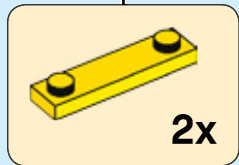
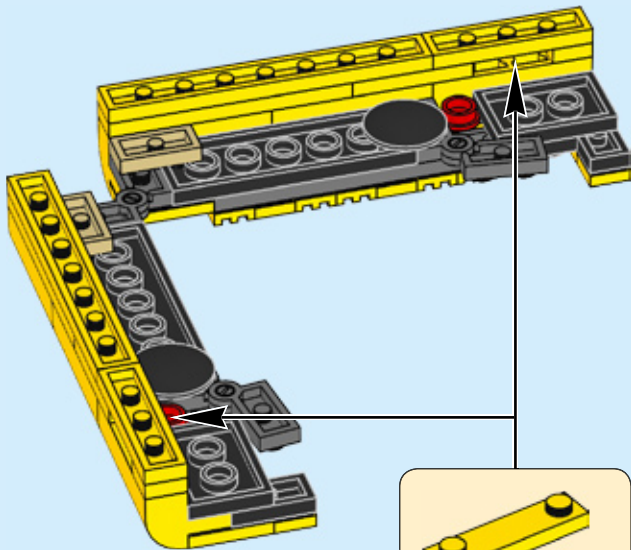


189

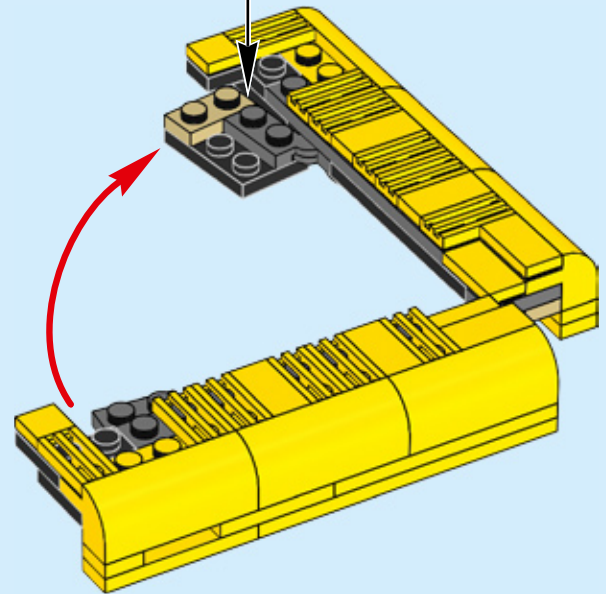
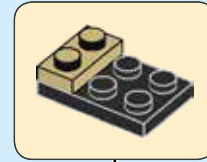
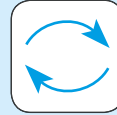




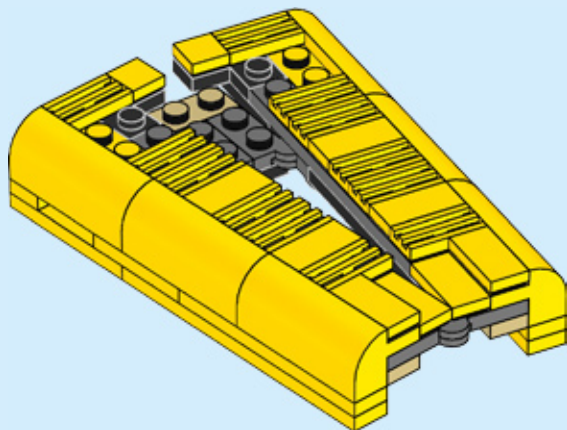
190



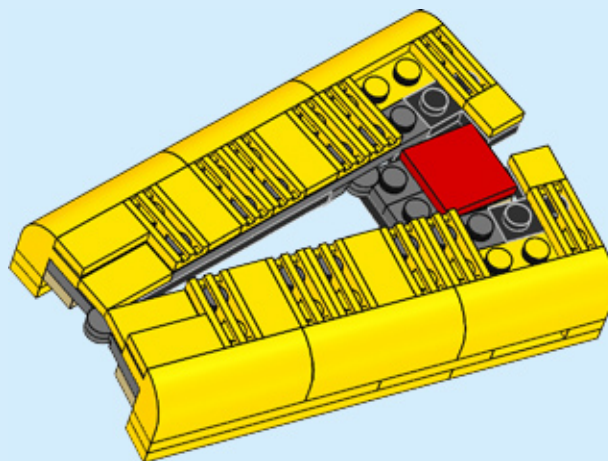
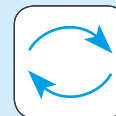
191

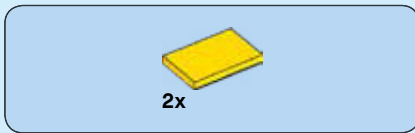


192

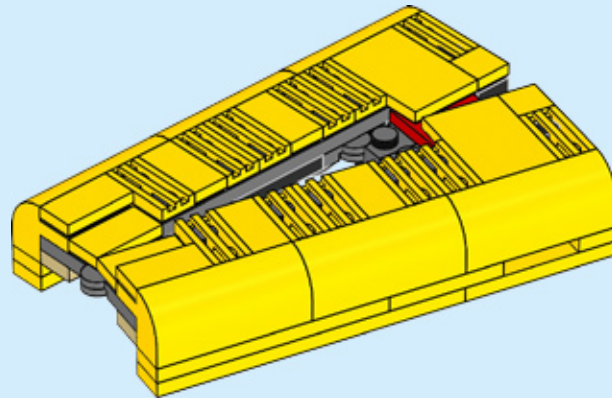


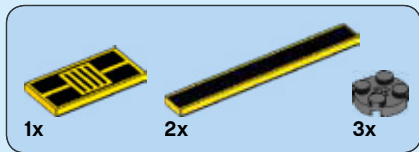
193



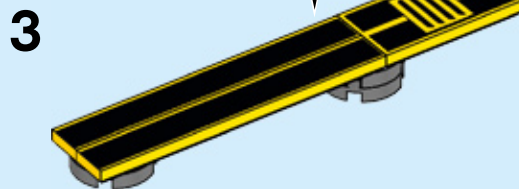
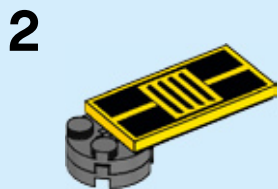
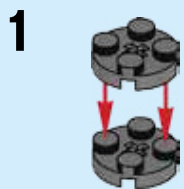
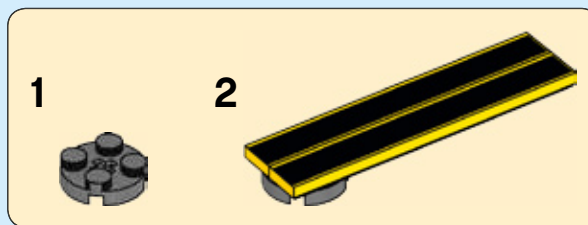


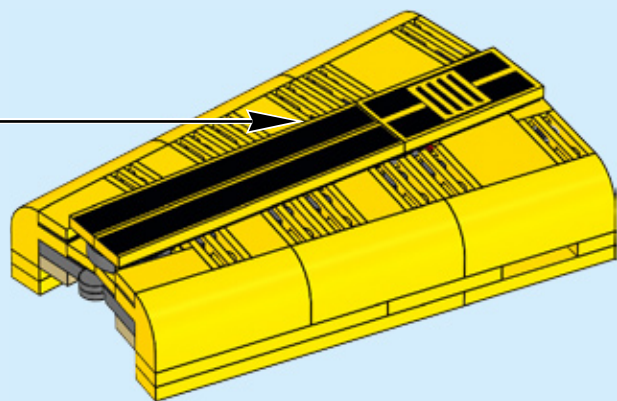
194



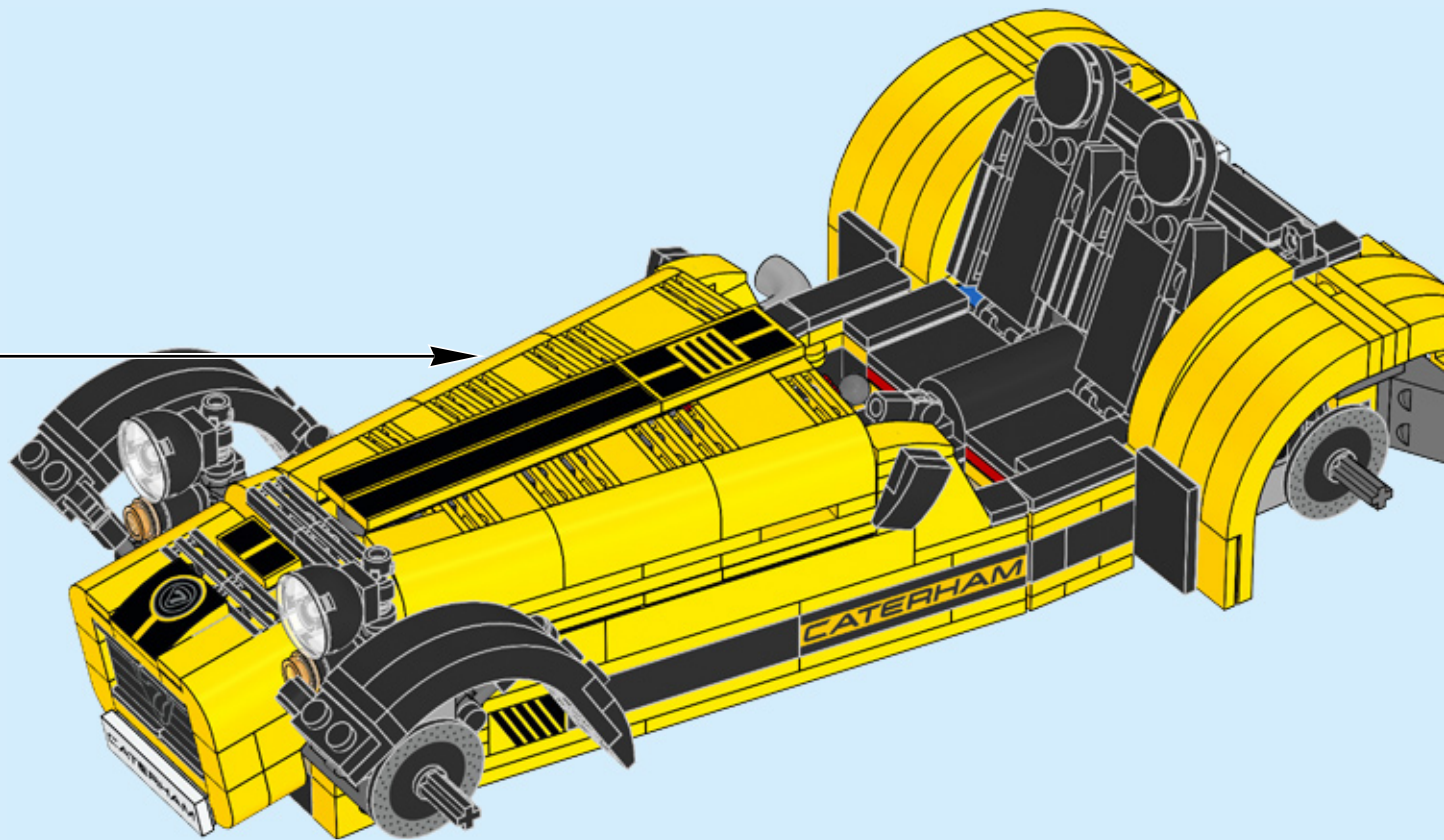


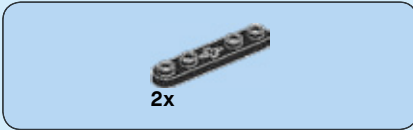
195



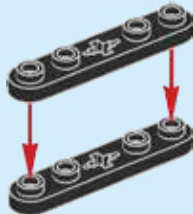


196

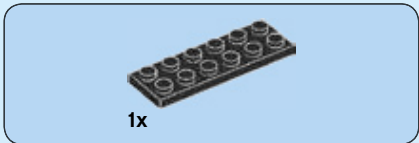
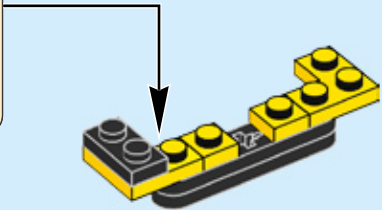
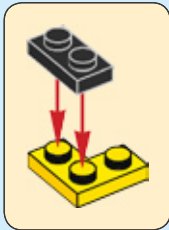




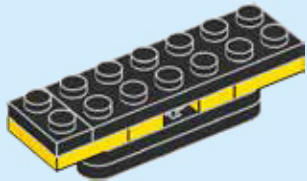
197

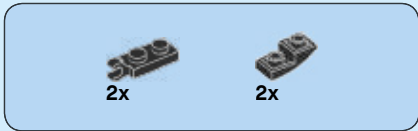


198

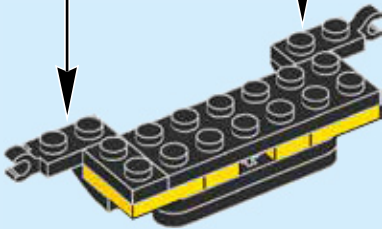
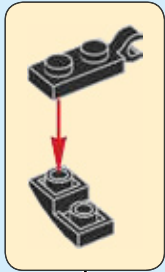
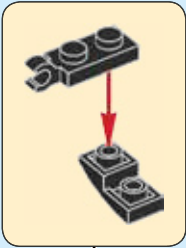


199

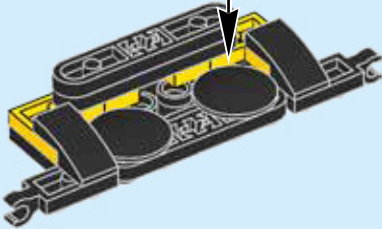
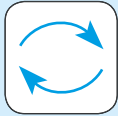
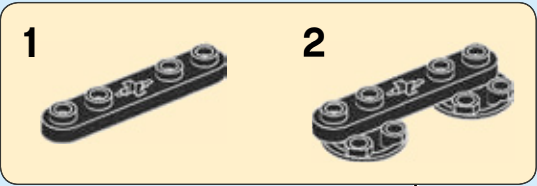




200

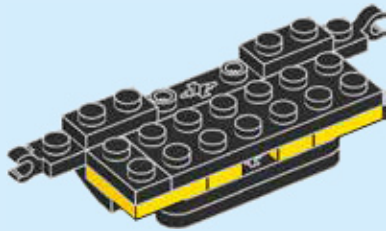
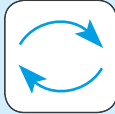


201

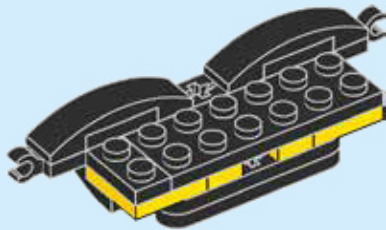




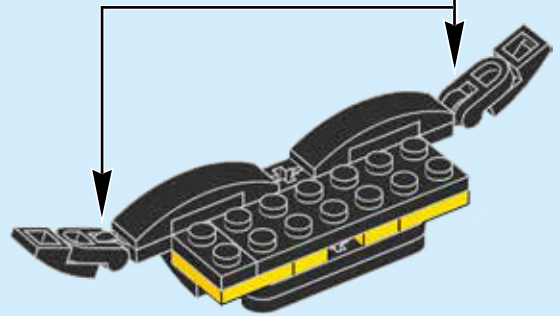
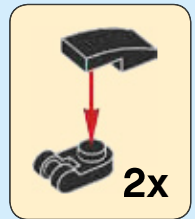
202



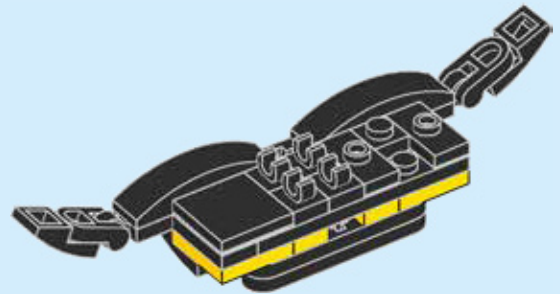
203



204

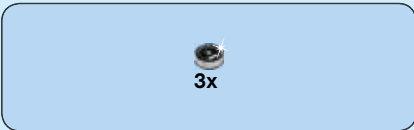
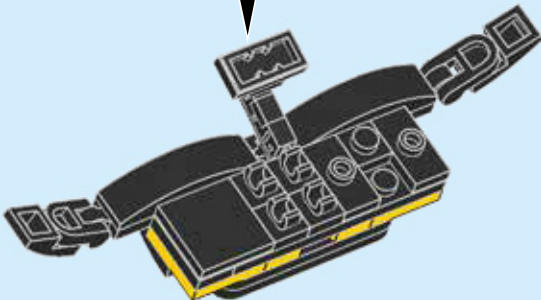
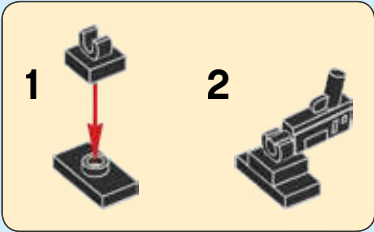


205

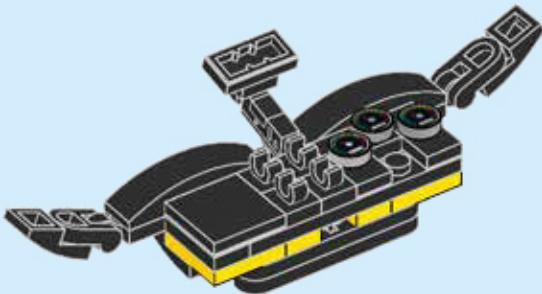




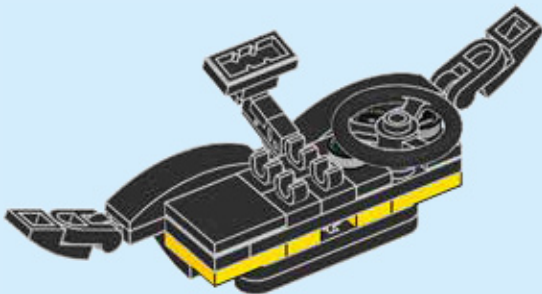
206



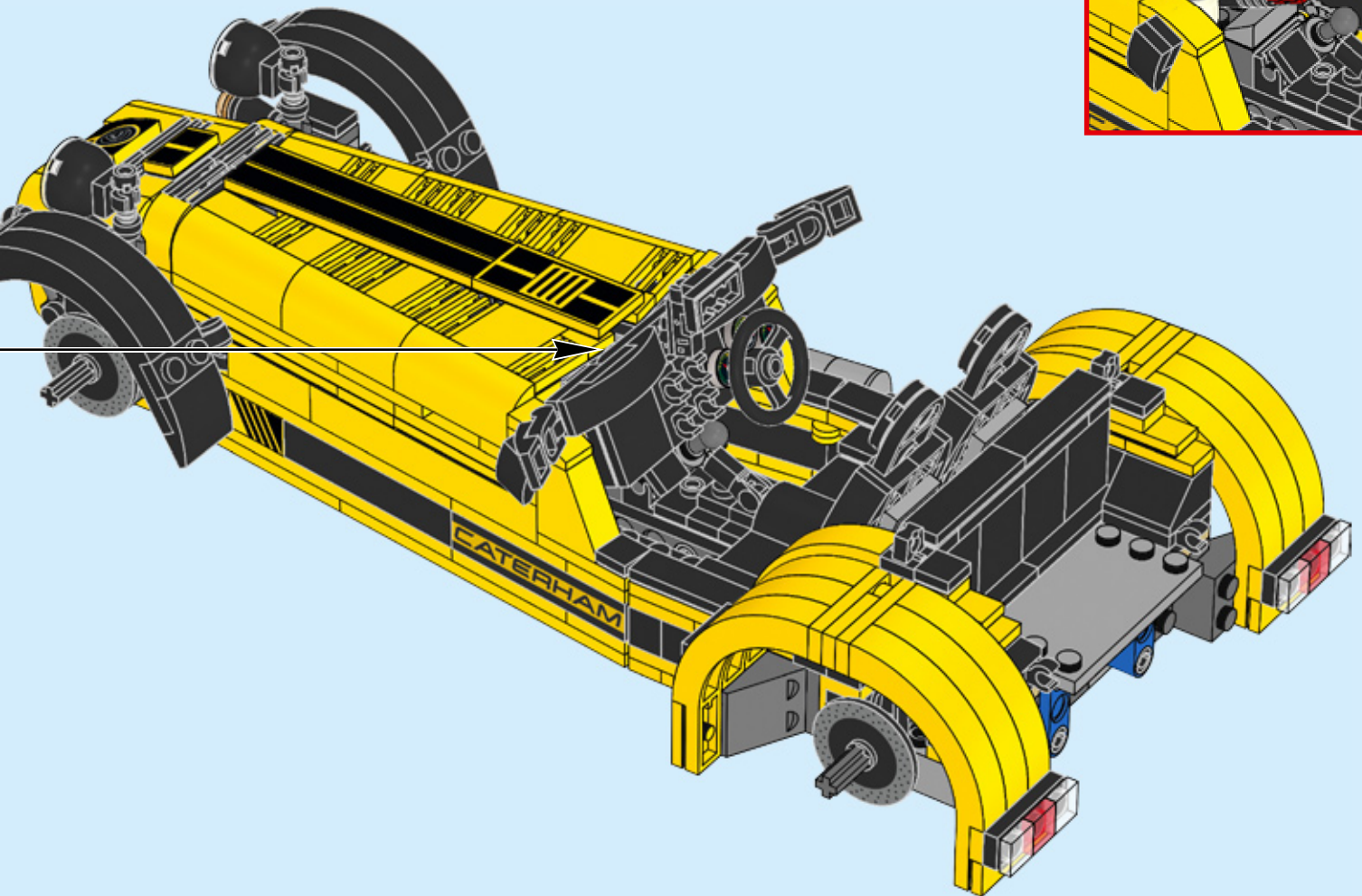
207

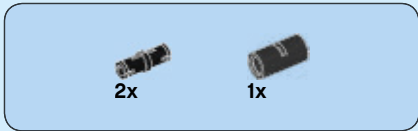


208

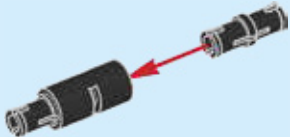


209

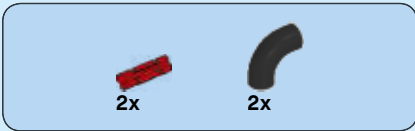
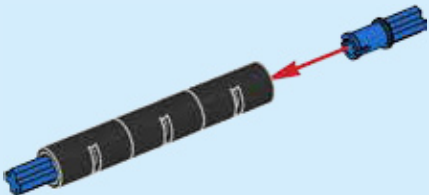




210



211



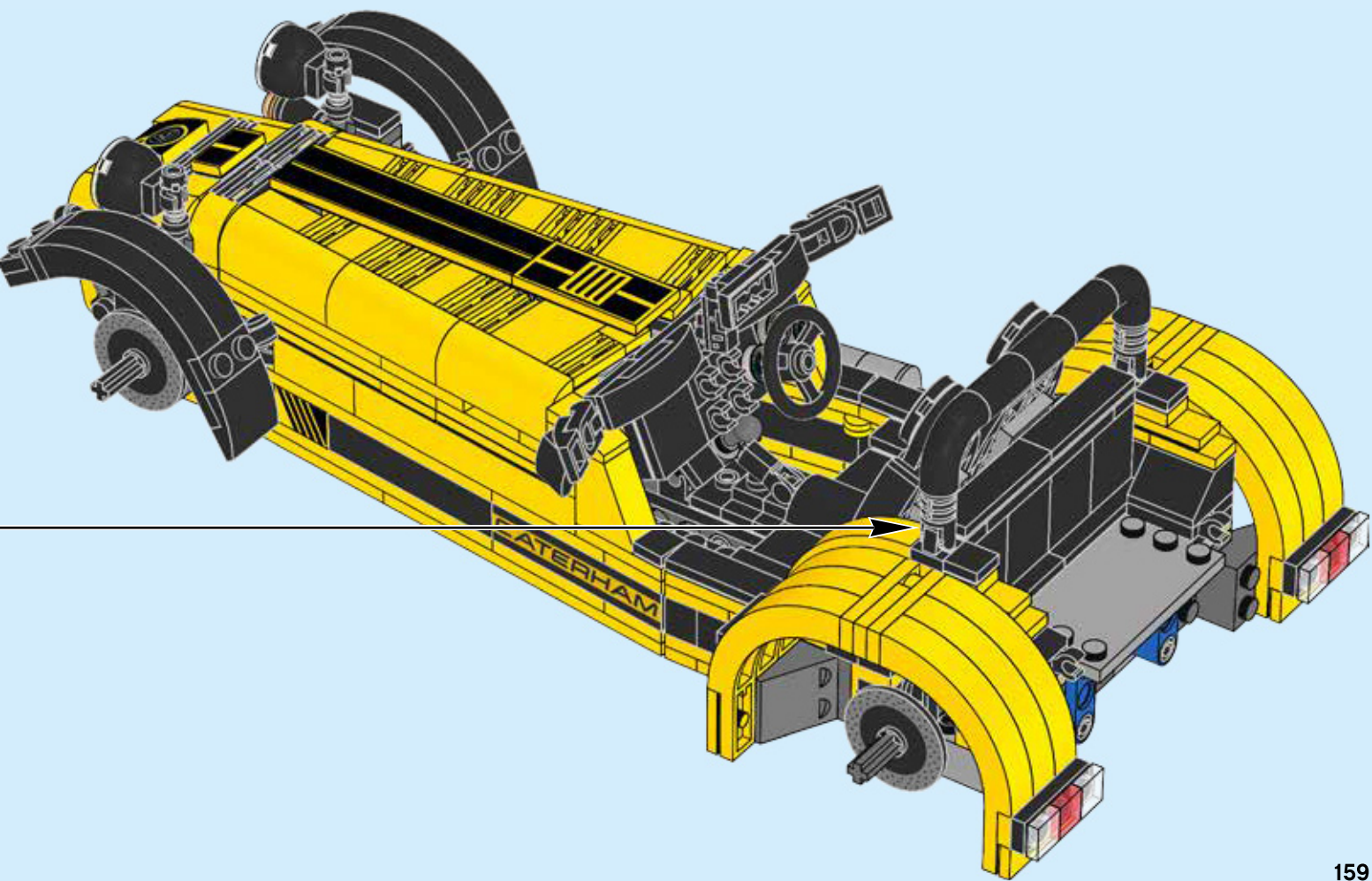
212

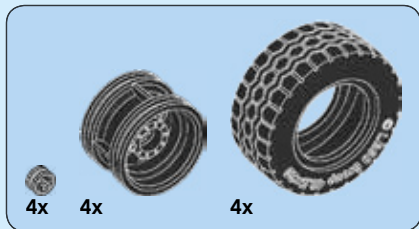


213

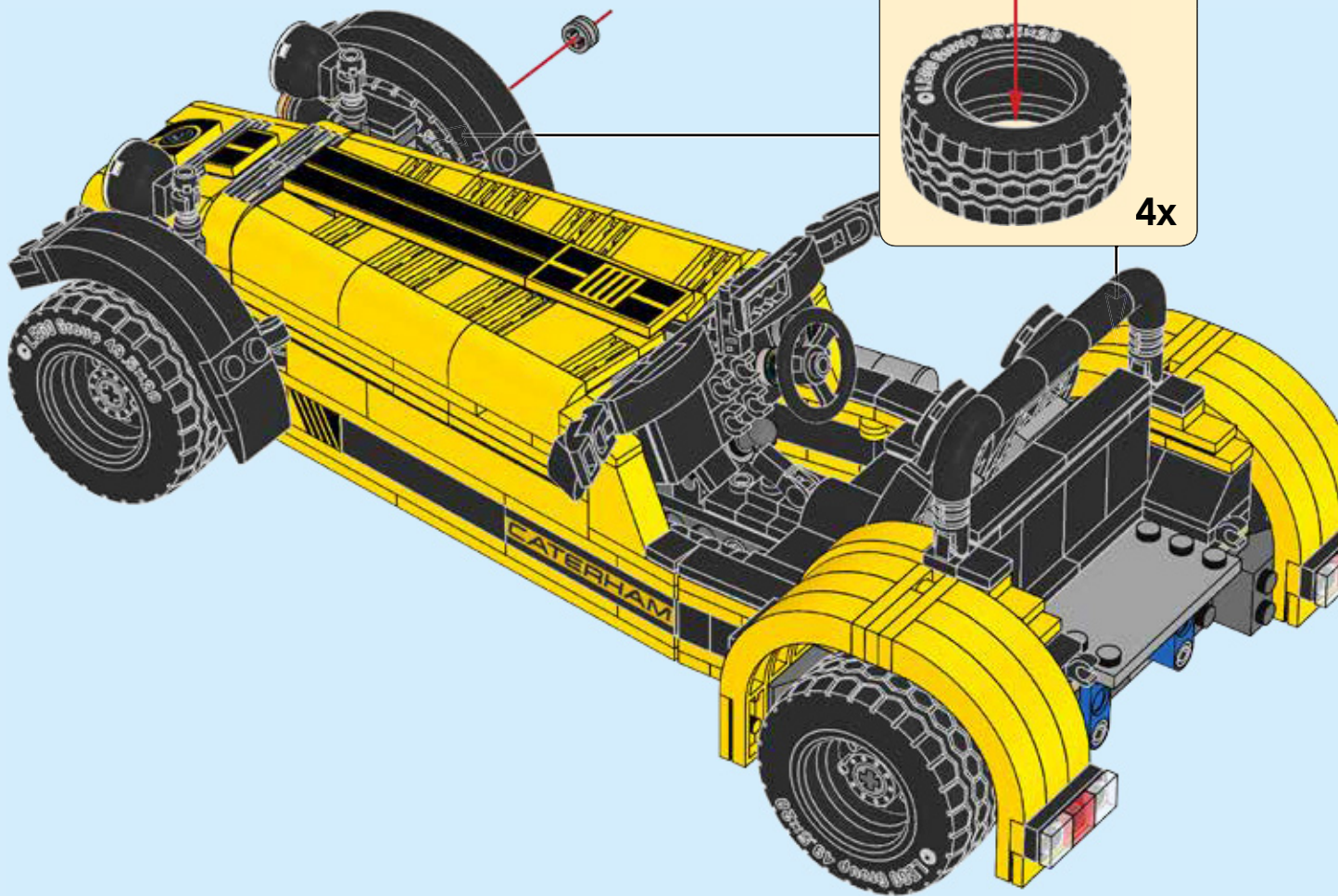
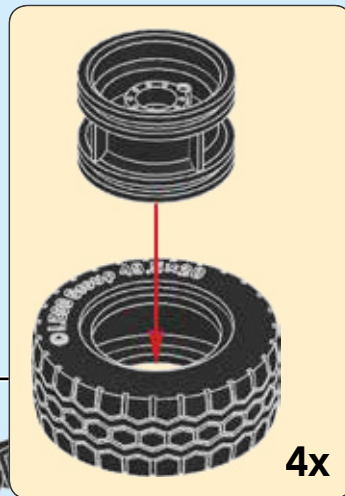


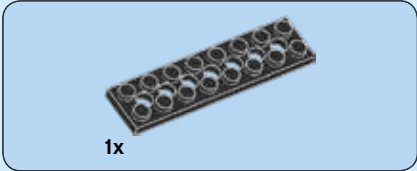
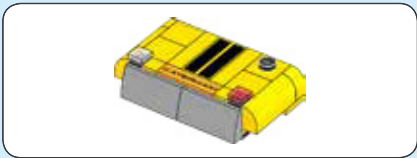
214





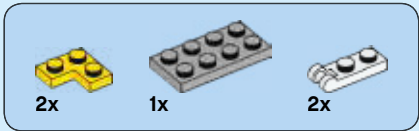
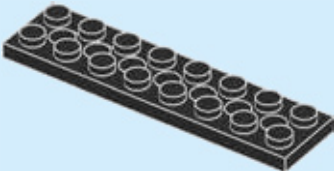
215



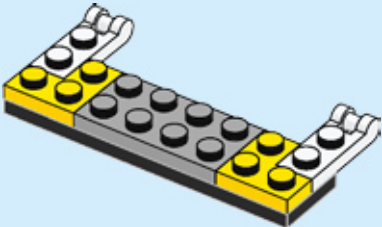


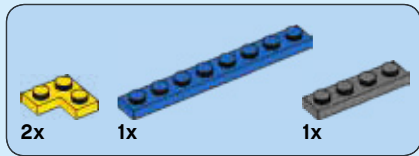
1x

216

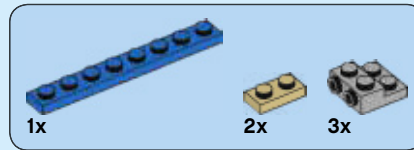
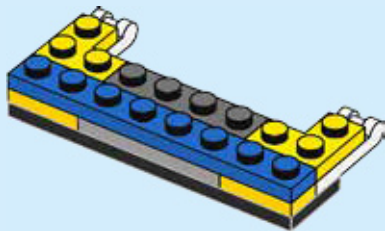


217

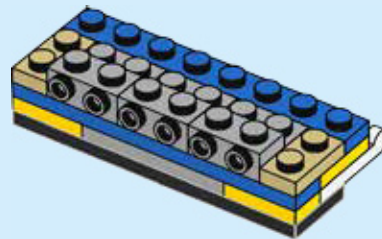


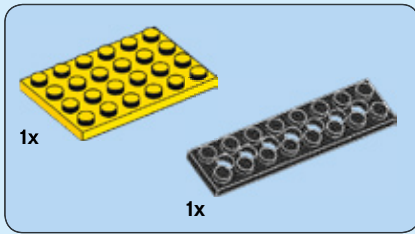


218

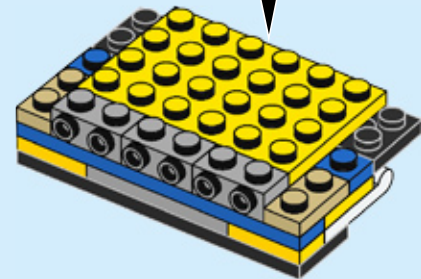


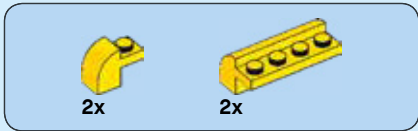
219



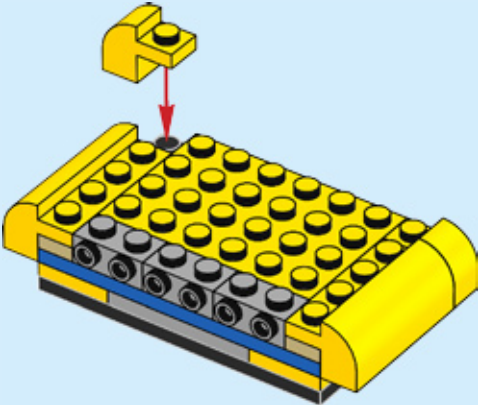


220

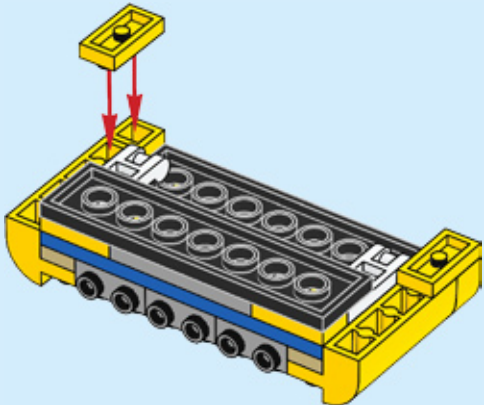
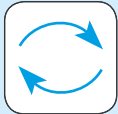




221

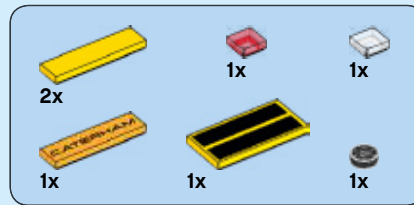
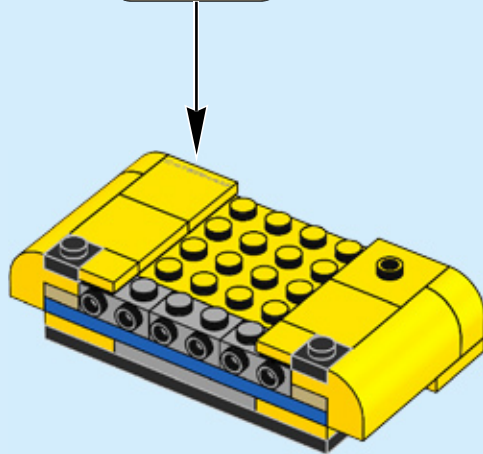
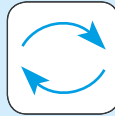


222

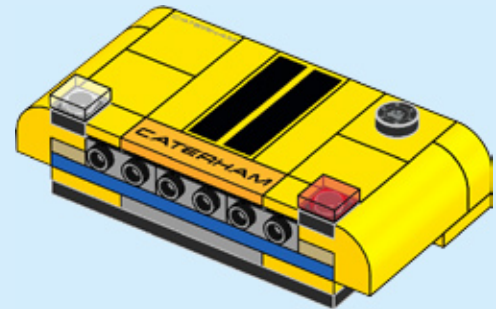


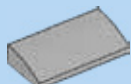


223



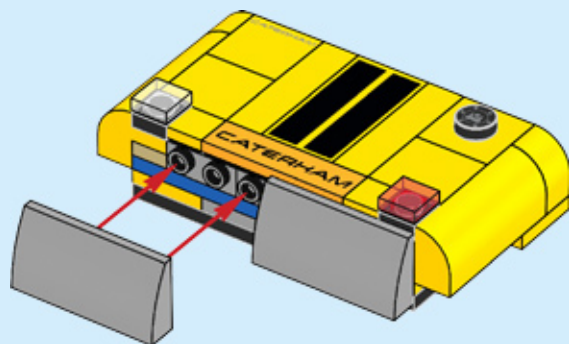
224

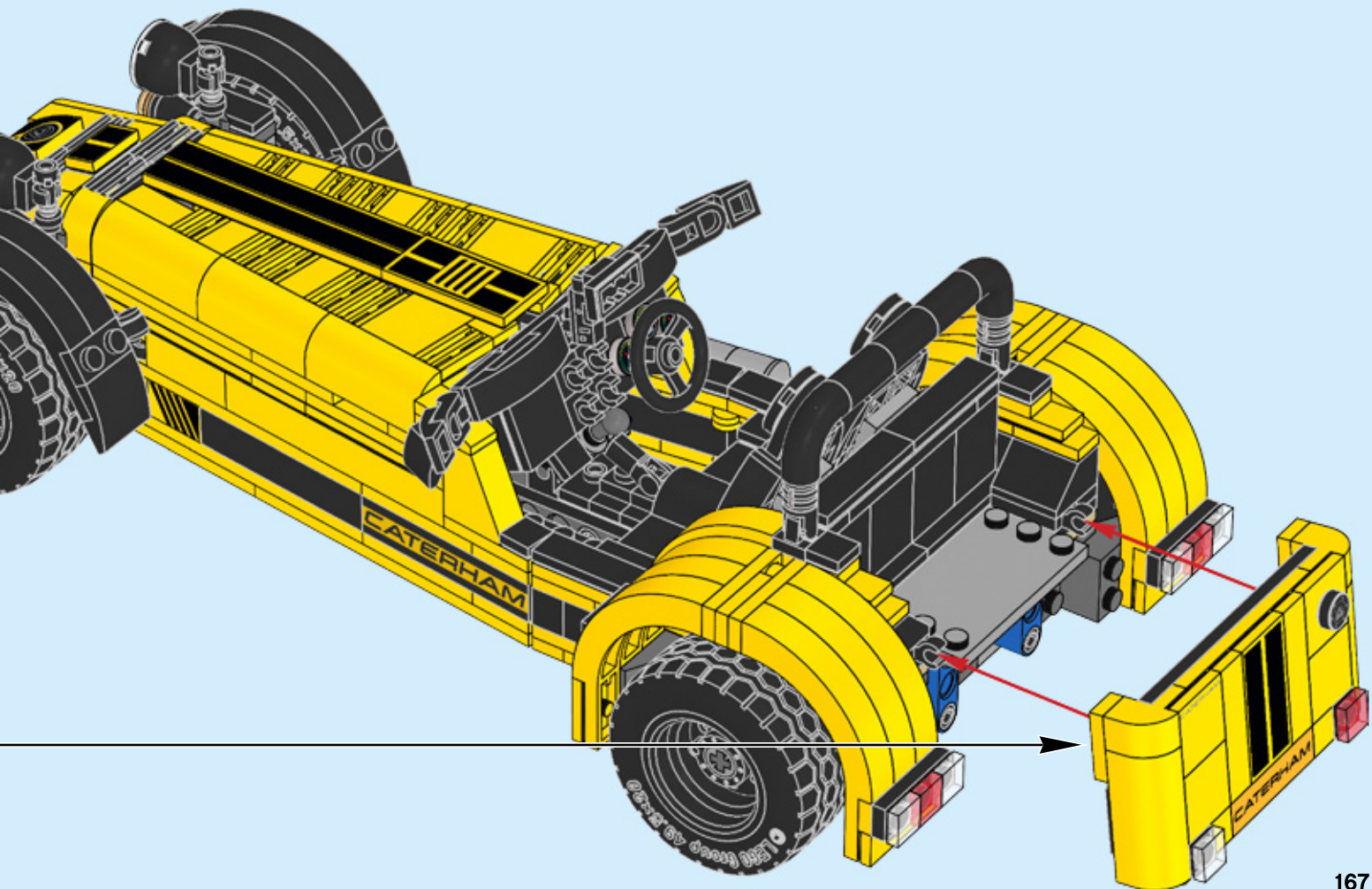


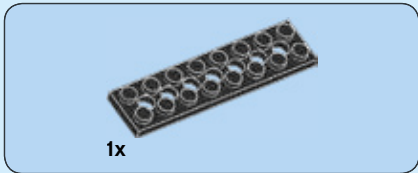


2x

225

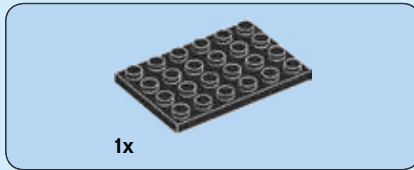
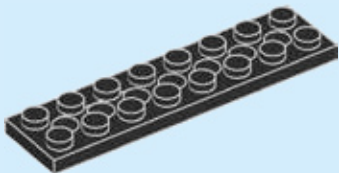






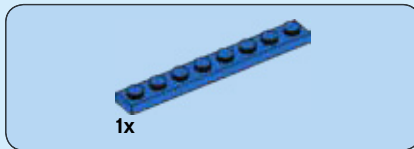
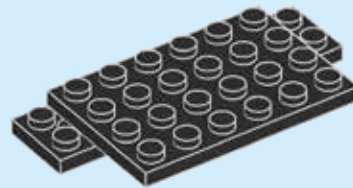
1x

227



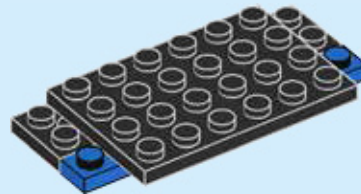
1x

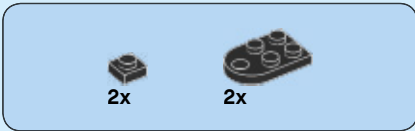
228



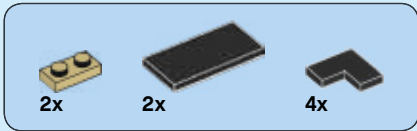
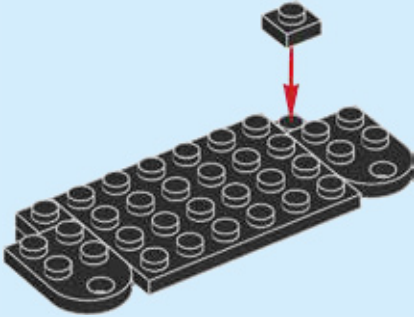
1x

229

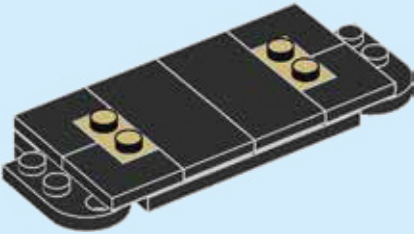




230



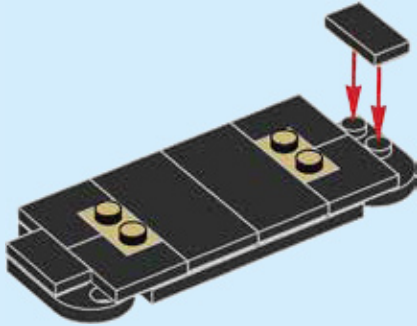
231





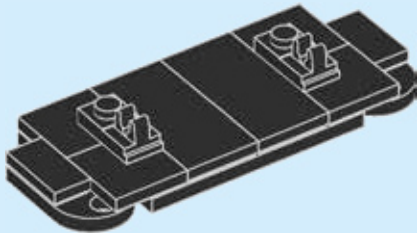
2x

232



2x

233

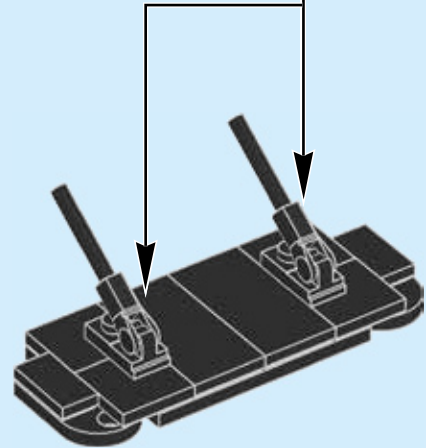
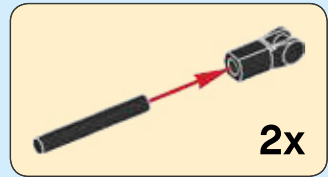


2x

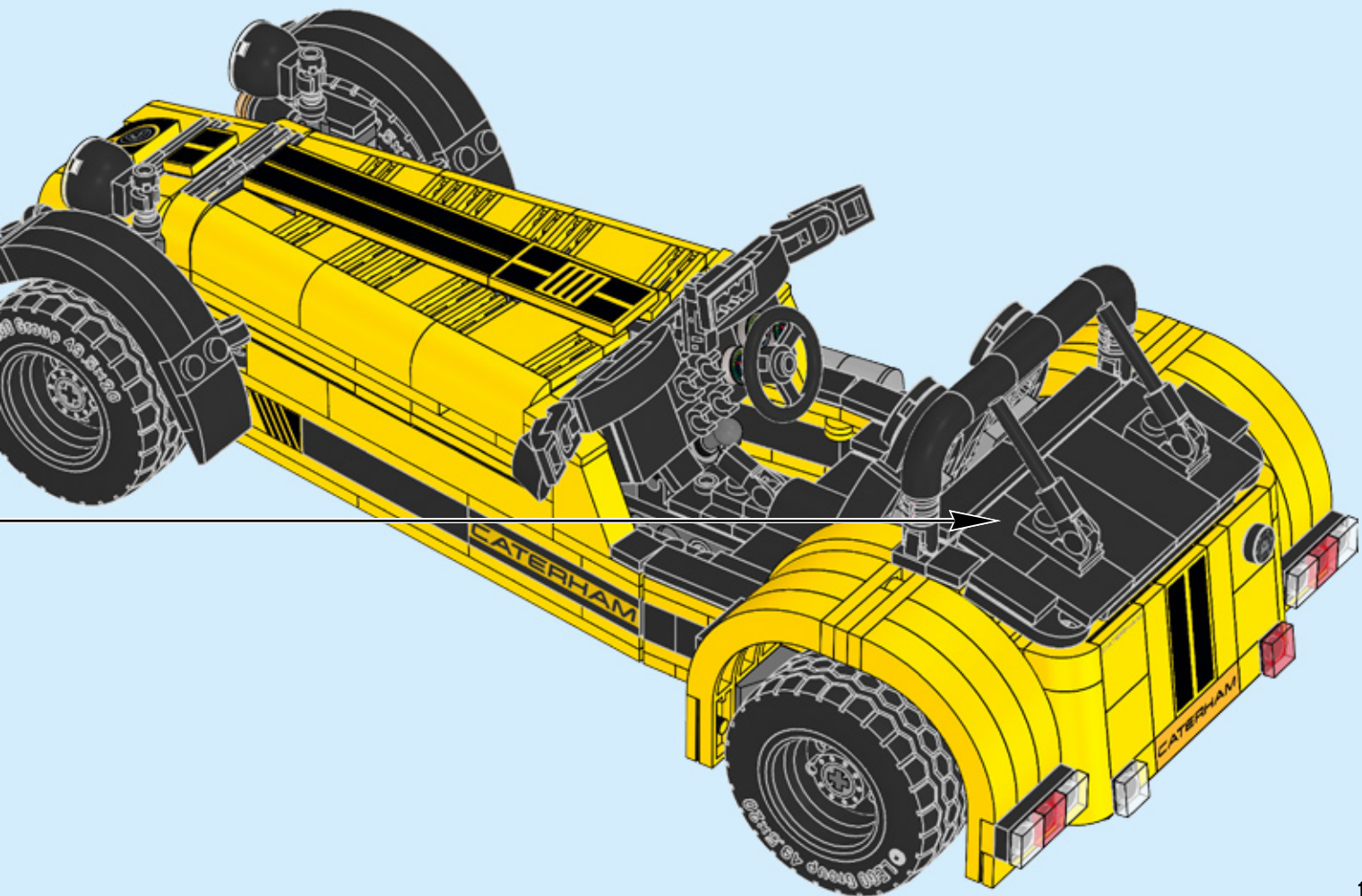


2x

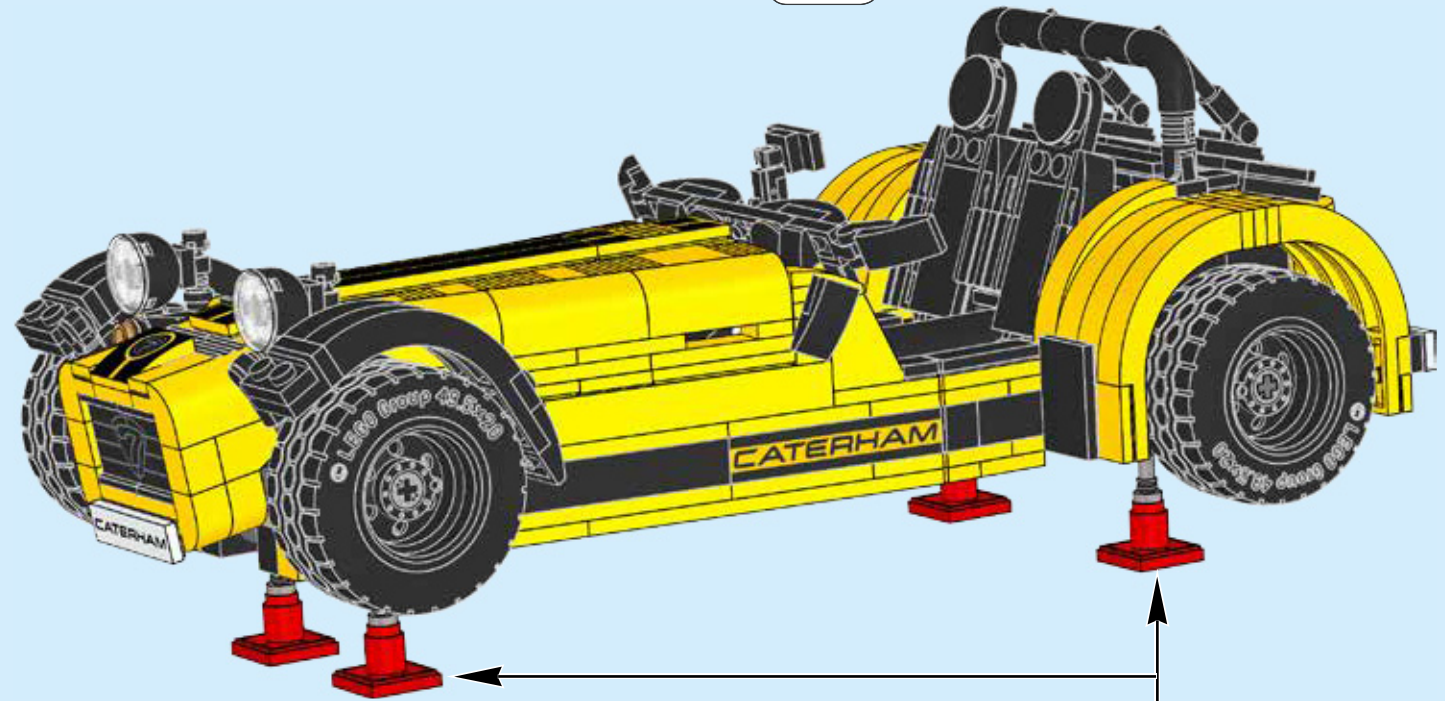
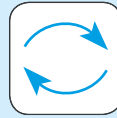
234



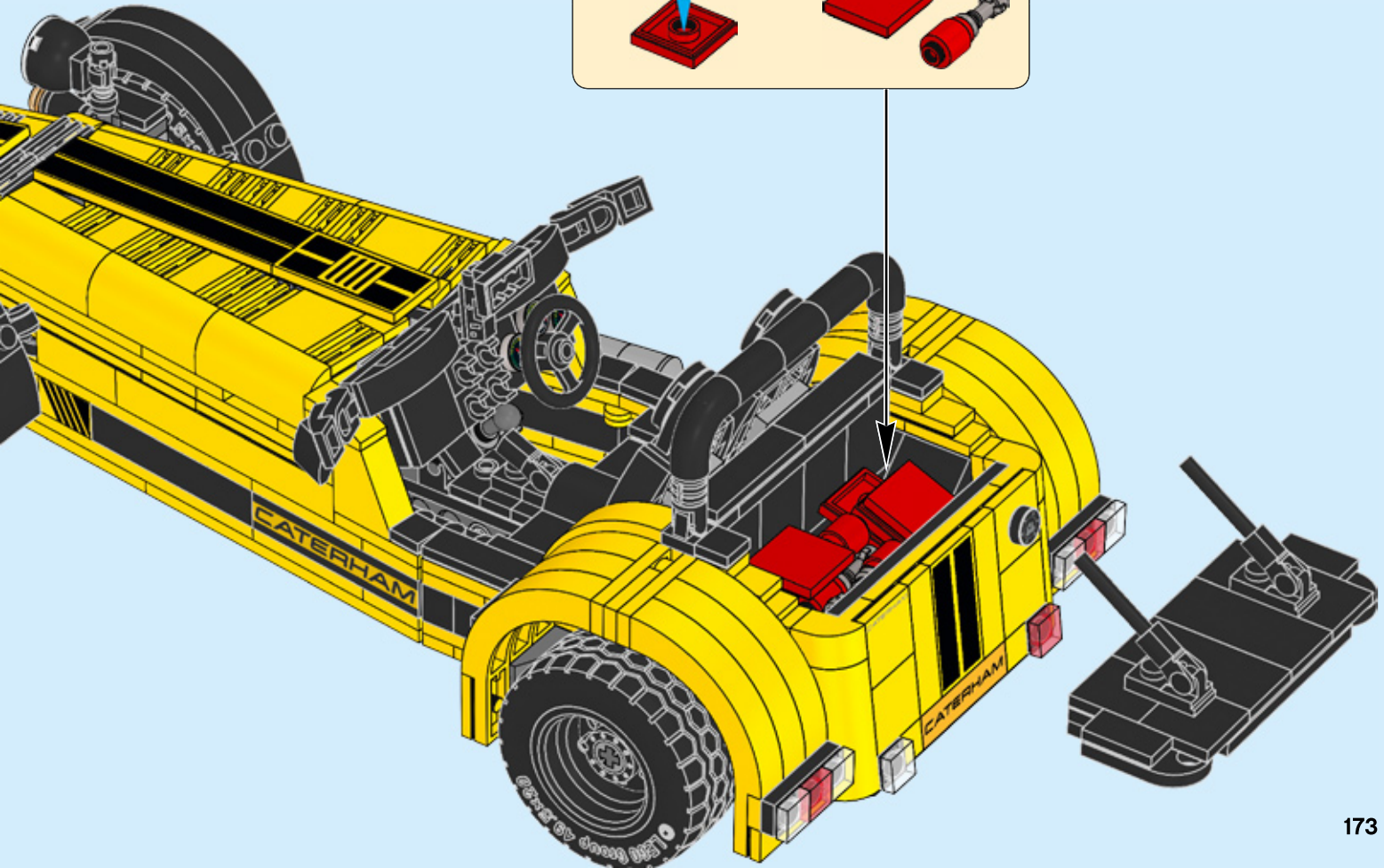
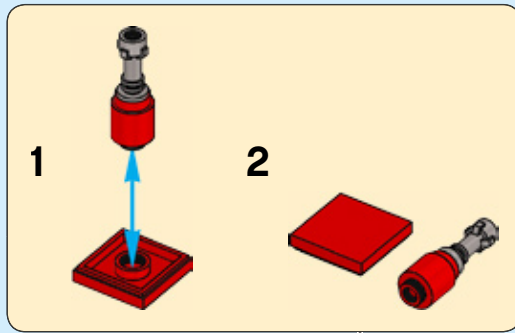
235



236



237





Being a Fan ...

... of both fast cars and LEGO® building provided the perfect starting point for Carl Greatrix's idea for a LEGO version of the Caterham Seven.

"One of the most exhilarating drives I've ever had was out on the track in a Caterham Seven. It is brutally fast due to its light weight, and tremendous fun to be in. It really struck a chord in my heart that I never forgot."

"When I got back into building LEGO car models, I thought the shape of the vehicle would lend itself to being modelled well in LEGO bricks, as it is very angular, and if I could find a suitable scale, then I would be able to get all the details into it that I would love to see."

"Each version took between two - three weeks to design and then re-design, looking at all possible options. The decal work took another week to get sorted, so its safe to say that each version took the best part of a month to re-design and build to finished standards, then photograph, etc."

"I take my hat off to Henrik, the LEGO designer who worked on my model as he was as passionate about it as I was. You can see that instantly with the version he created. It is superb, and he has done so well to keep it looking just like my original idea even though it is built quite differently."





LEGO® designer

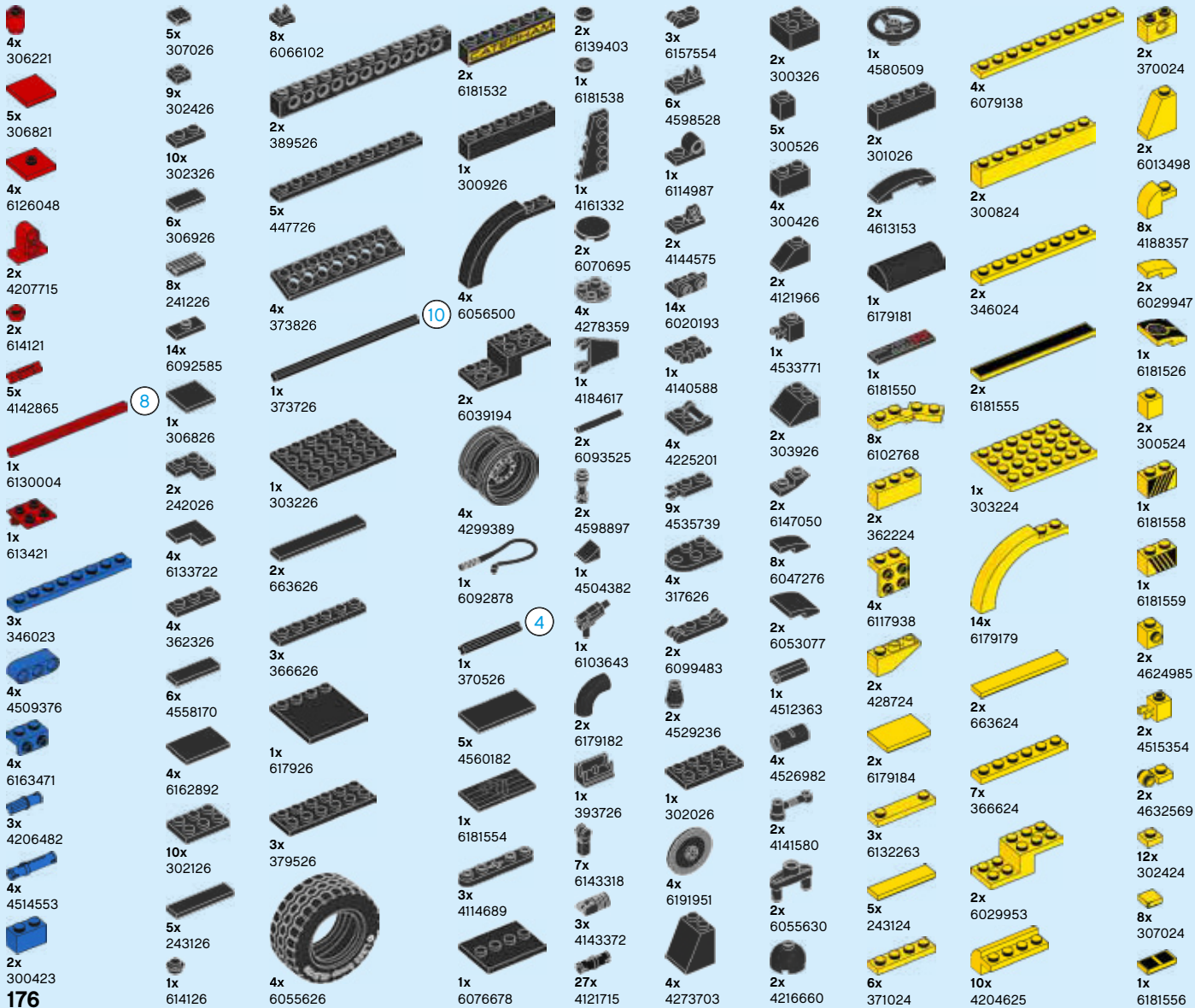
Henrik Andersen, was also happy to be involved in this latest LEGO® Ideas project.

“It’s always really exciting to work on more detailed models. I am a car fan, so I did know about the Caterham Seven before starting on the project”.

“My role as a LEGO designer is to ensure that the model can be built according to LEGO quality standards, and it is built in a way so that it can be displayed in LEGO Building Instructions”.

“Carl really did a great job of converting the real car’s shape into a LEGO version, as both the sloping front and the hood are really complex. There were quite a few iterations, at least five or six, before the model was complete so the final version is somewhat different from his original one”.

“I am really happy about the proportions of the finished model, it’s really close to the real car – and I think it is a nice and clean build”.

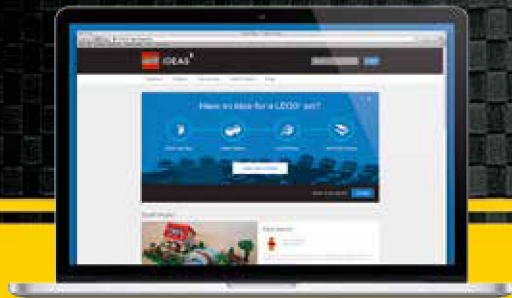


SHARE YOUR IDEA
TEILE DEINE IDEE
PARTAGE TON IDÉE
COMPARTE TU IDEA
PARTILHA A TUA IDEIA
TEDD KÖZZÉ AZ ÖTLETED
分享您的观点

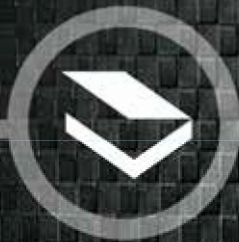
LEGO® REVIEW
LEGO® PRÜFUNG
EXAMEN PAR LEGO®
REVISIÓN DE LEGO®
AVALIAÇÃO LEGO®
LEGO® VÉLEMÉNYEZÉS
乐高®评论



GATHER SUPPORT
HOL' DIR UNTERSTÜTZUNG
RASSEMBLE DES VOTES
GANA APOYOS
OBTÉM APOIO
SZEREZZ TÁMOGATÁST
获得更多支持



NEW LEGO® PRODUCT
NEUES LEGO® PRODUKT
NOUVEAU PRODUIT LEGO®
NUEVO PRODUCTO LEGO®
NOVO PRODUTO LEGO®
ÚJ LEGO® TERMÉK
新的乐高®产品



LEGO.COM/IDEAS



Do you like this LEGO® Ideas set?

The LEGO Group would like your opinion on the new product you have just purchased. Your feedback will help shape the future development of this product series. Please visit:

[LEGO.com/productsurvey](https://www.lego.com/productsurvey)

By completing our short feedback survey, you will be automatically entered into a drawing to win a LEGO® prize.

See website for official rules and details. Open to all countries where not prohibited.



LEGO and the LEGO logo are trademarks of the LEGO Group. ©2016 The LEGO Group.

Produced under license of Caterham Cars Ltd. The CATERHAM logo, name SEVEN and the 7 device are trademarks used with the approval of the owner; Caterham Cars Ltd.

6195537