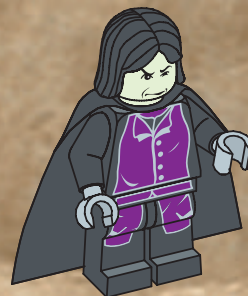
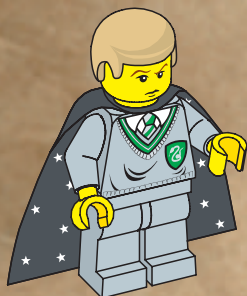
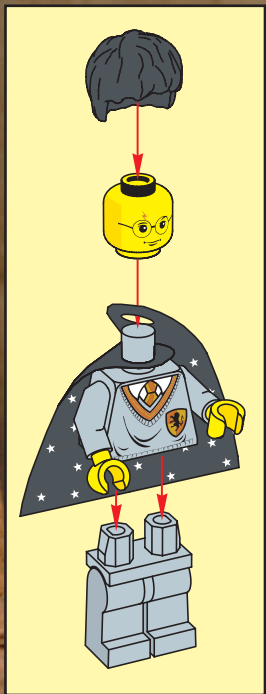


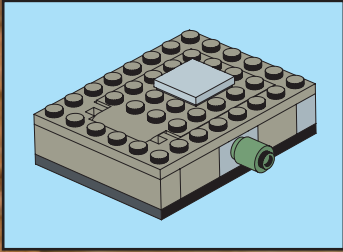
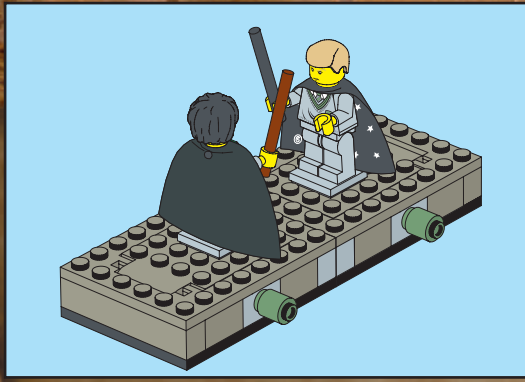


Harry Potter

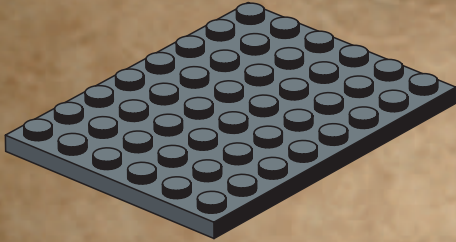


4733

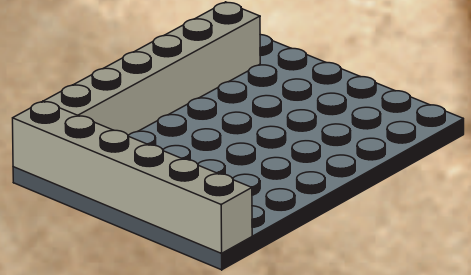




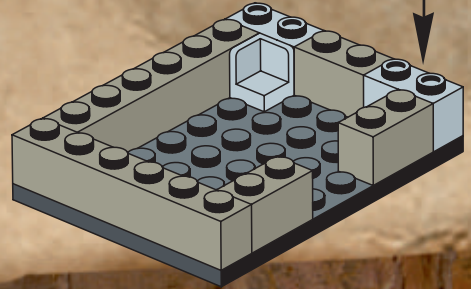
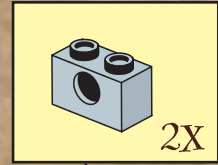
1

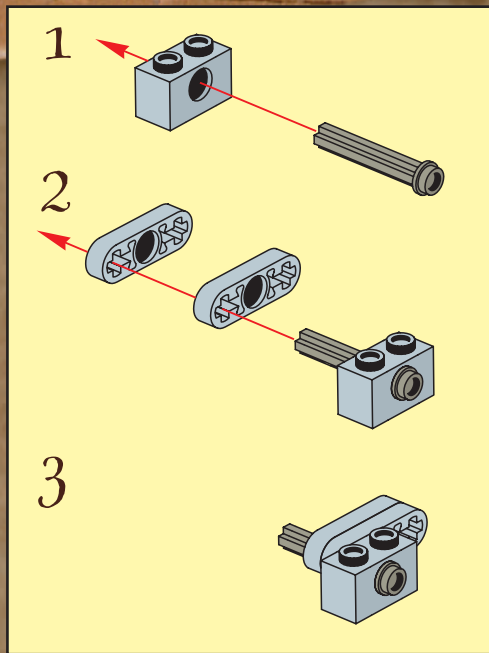


2

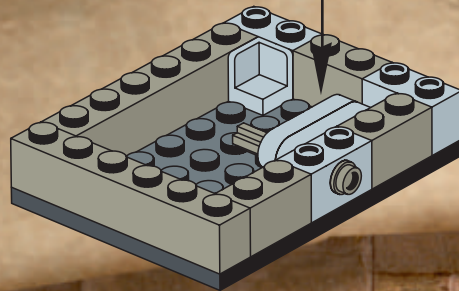


3

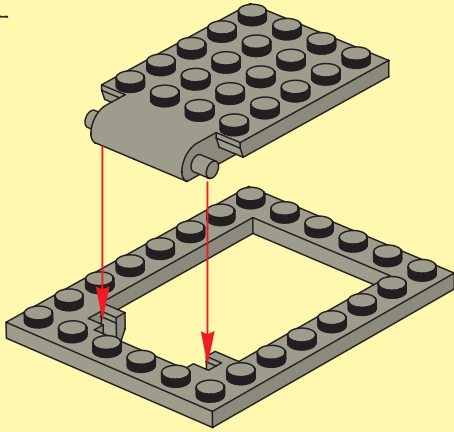




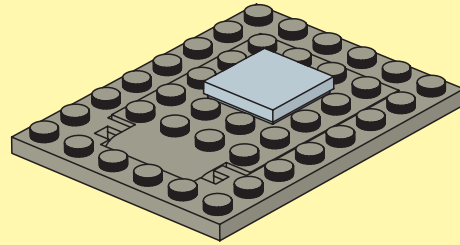
4



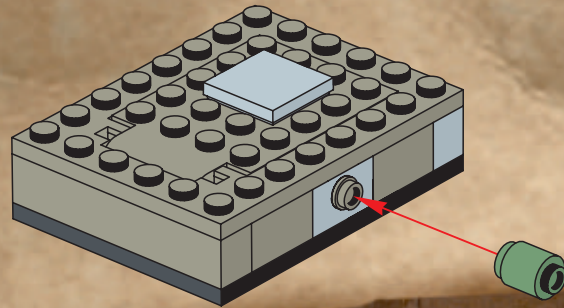
1

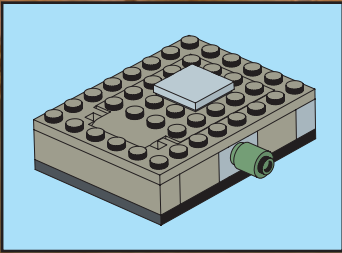


2

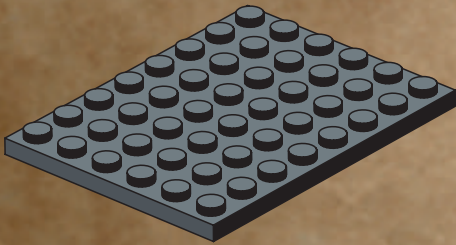


5

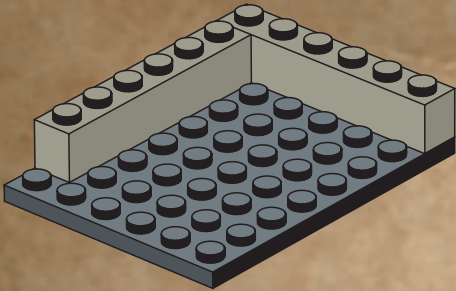




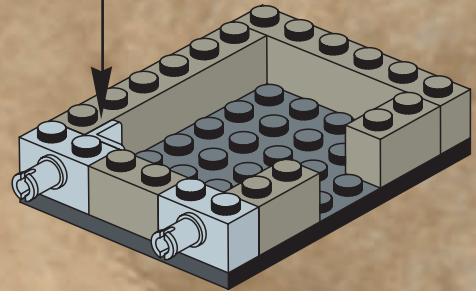
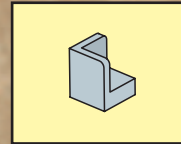
1

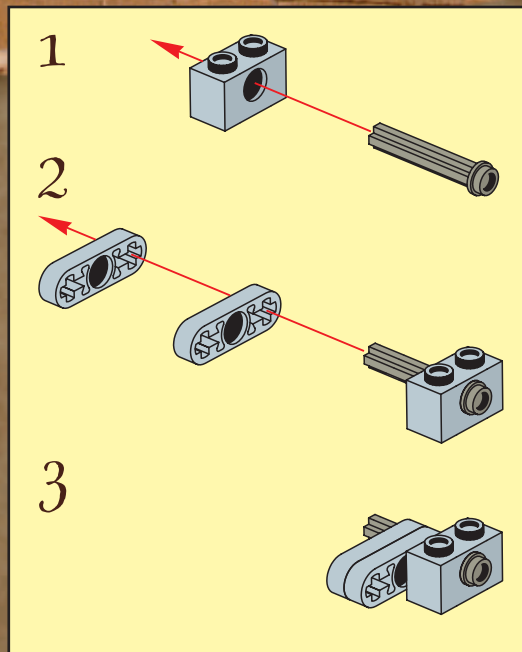


2

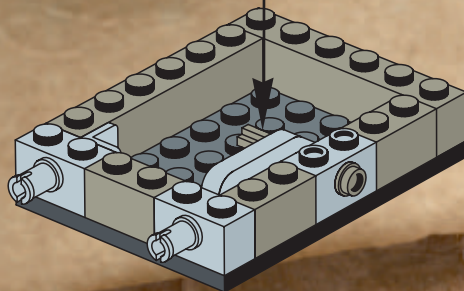


3

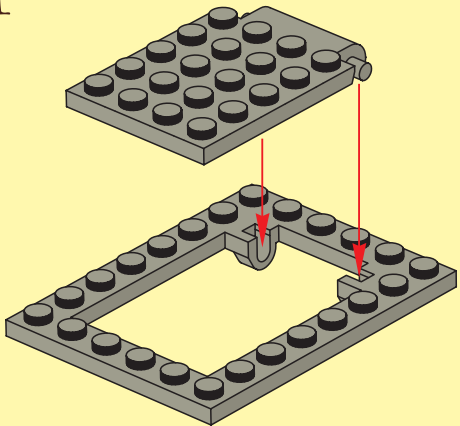




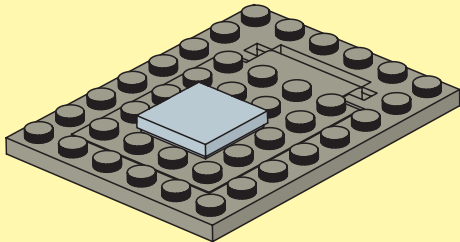
4



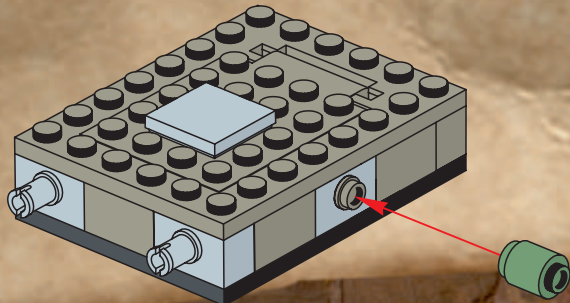
1



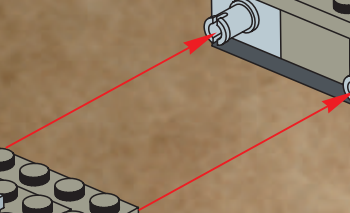
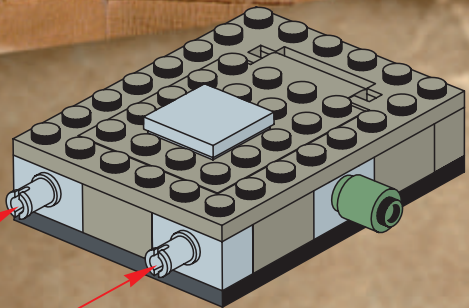
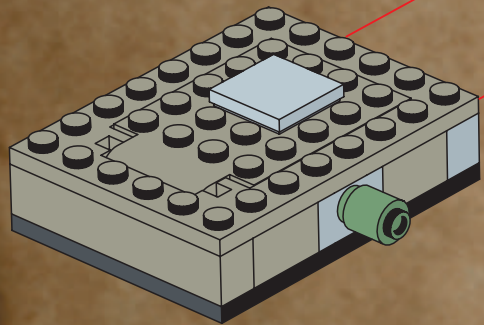
2



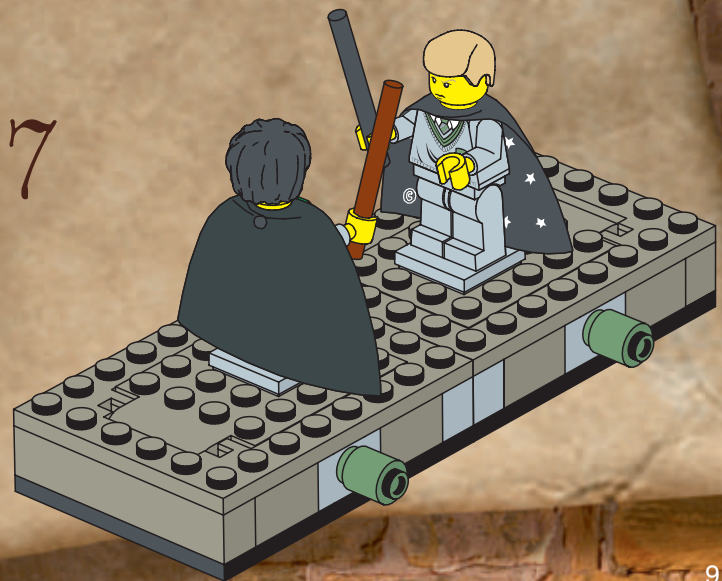
5

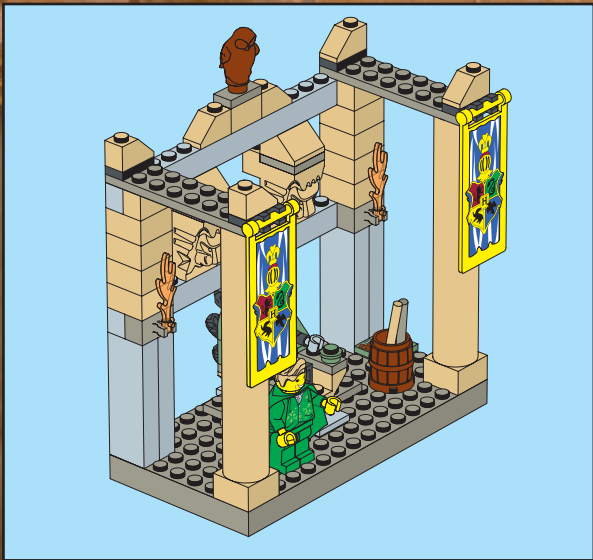


6

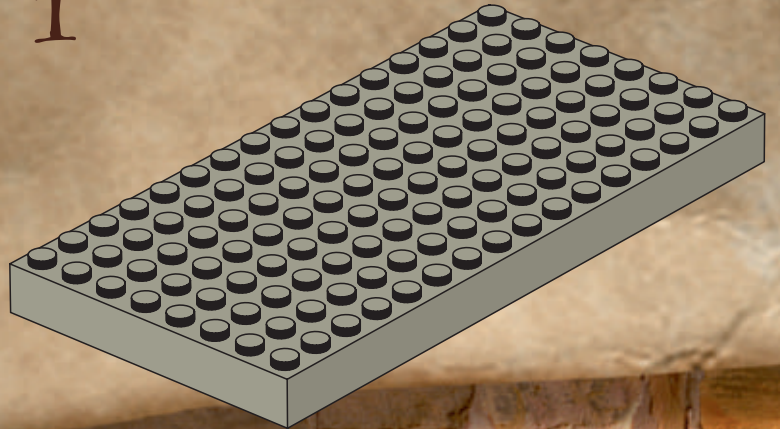


7

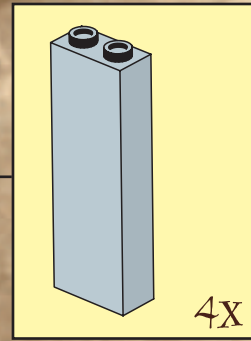
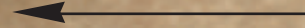
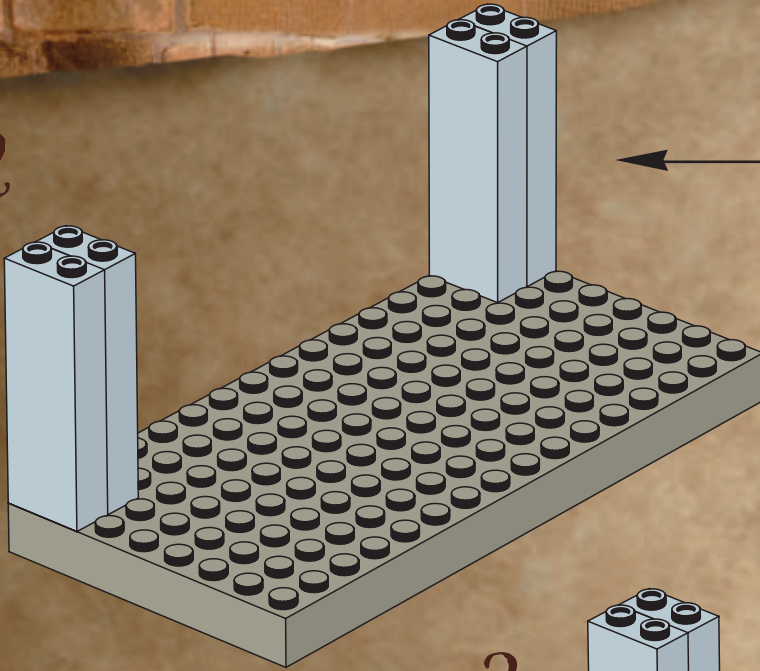




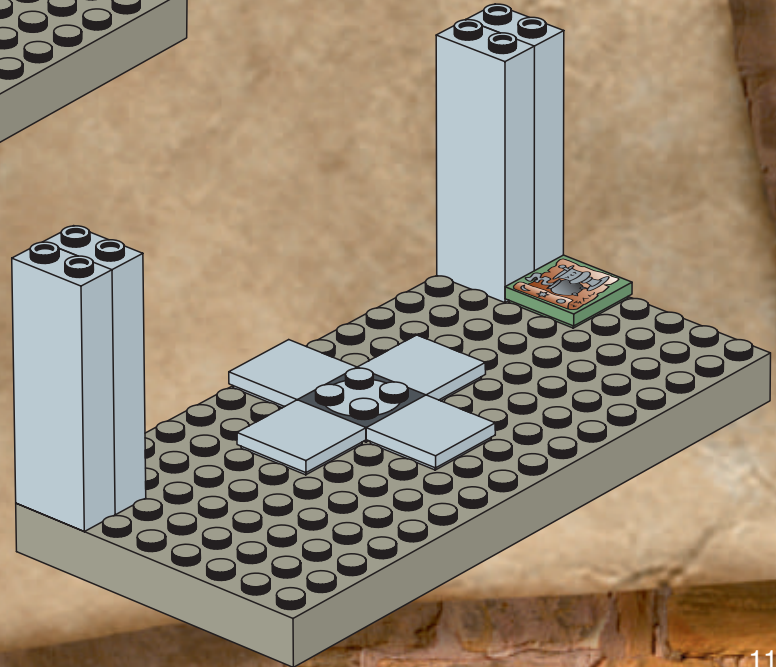
1

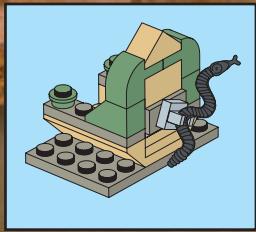


2

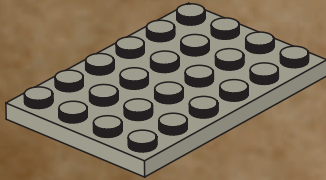


3

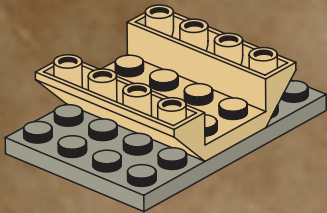




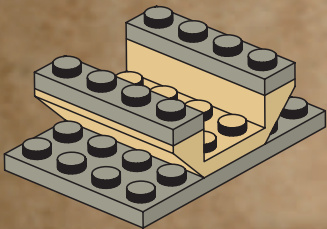
1



2



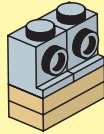
3



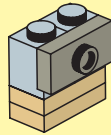
1



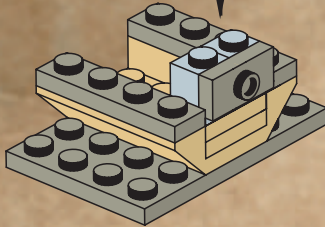
2



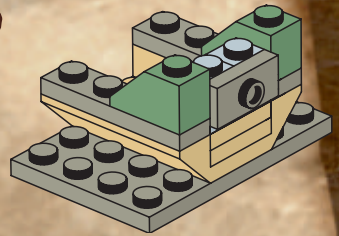
3



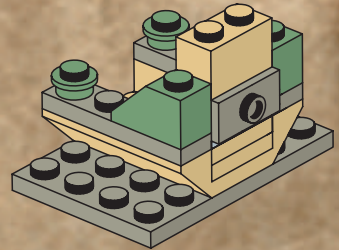
4



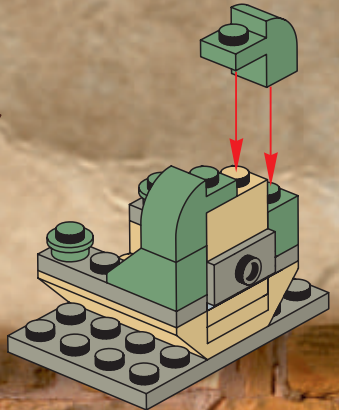
5

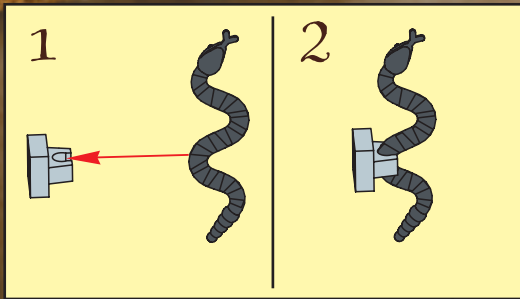


6

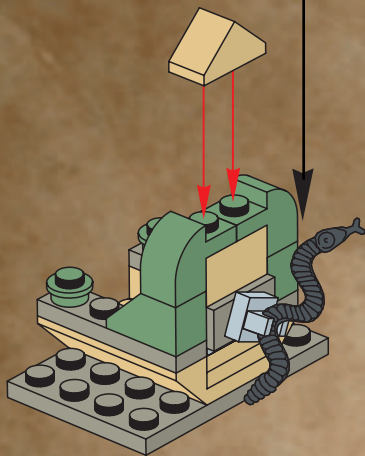


7

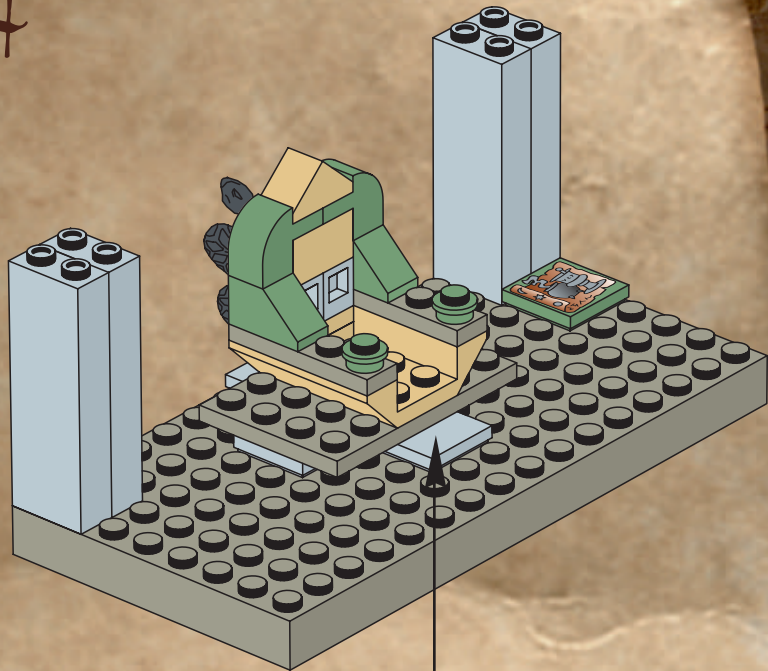




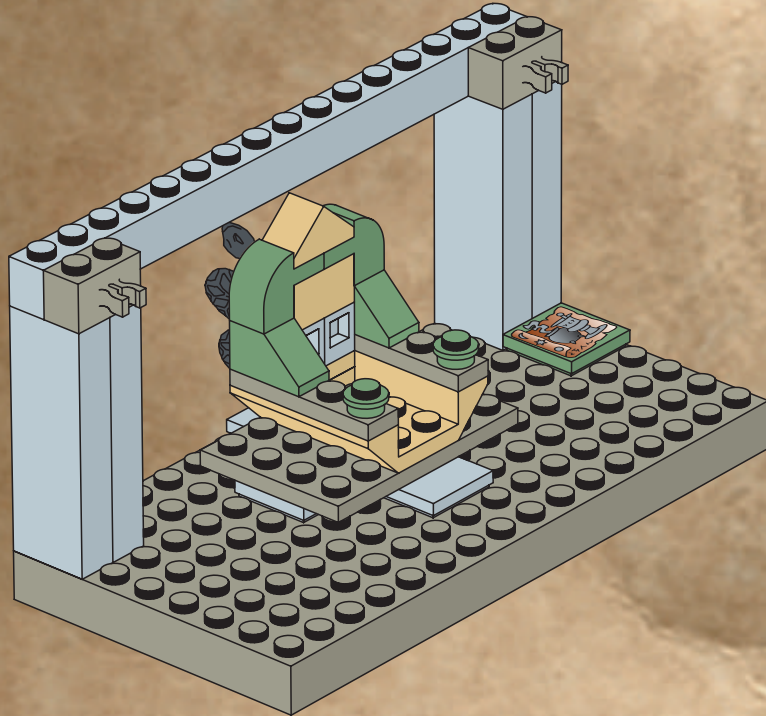
8

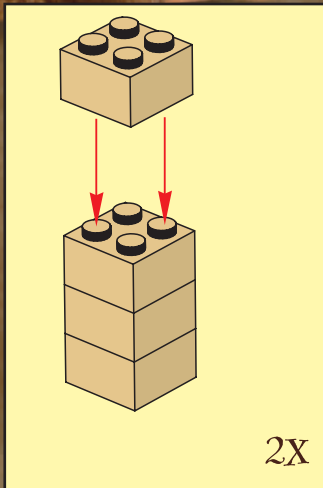


4

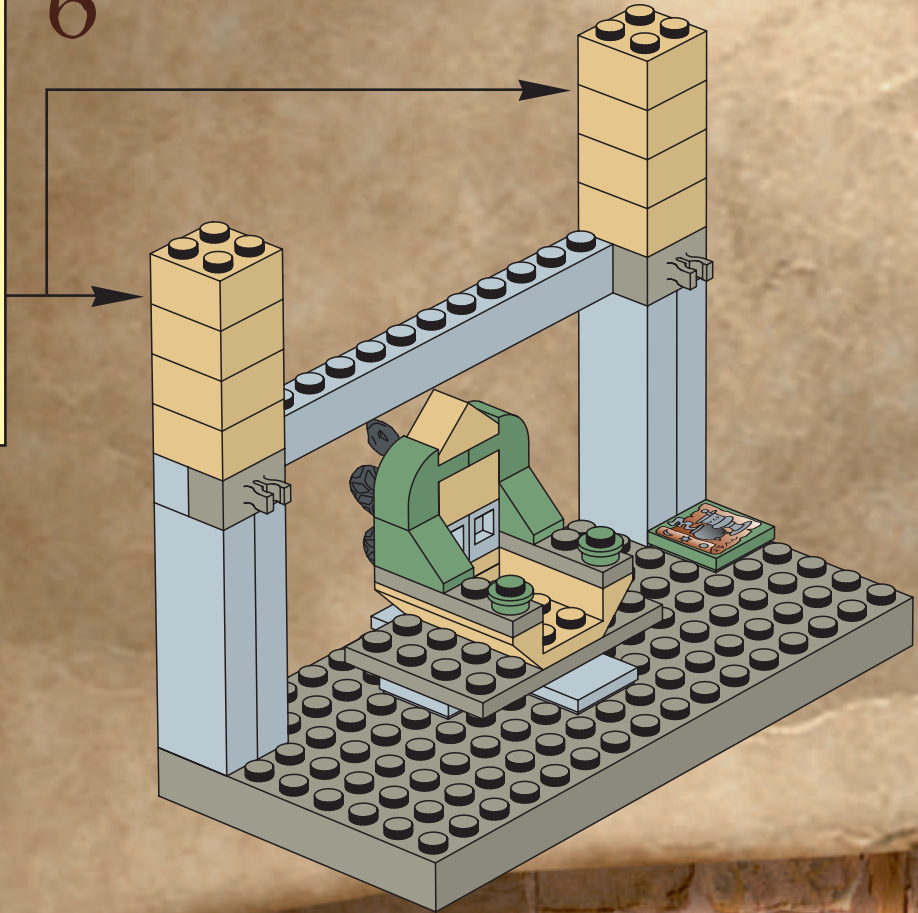


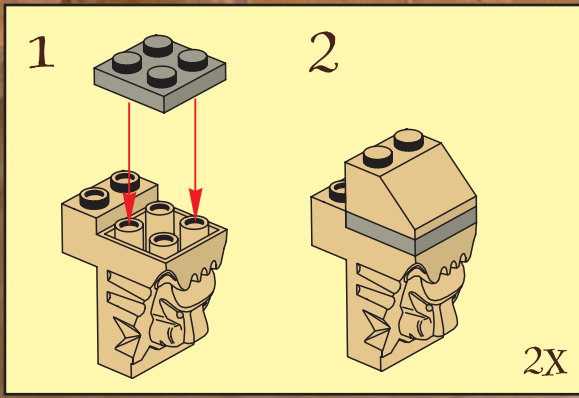
5



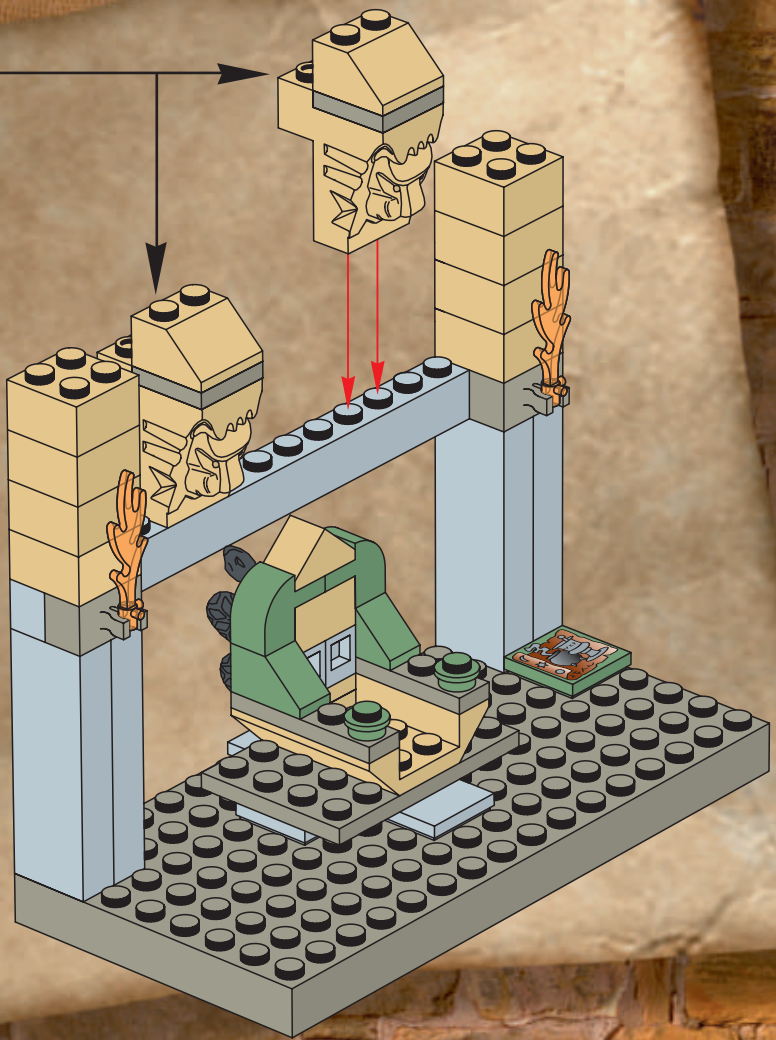


6

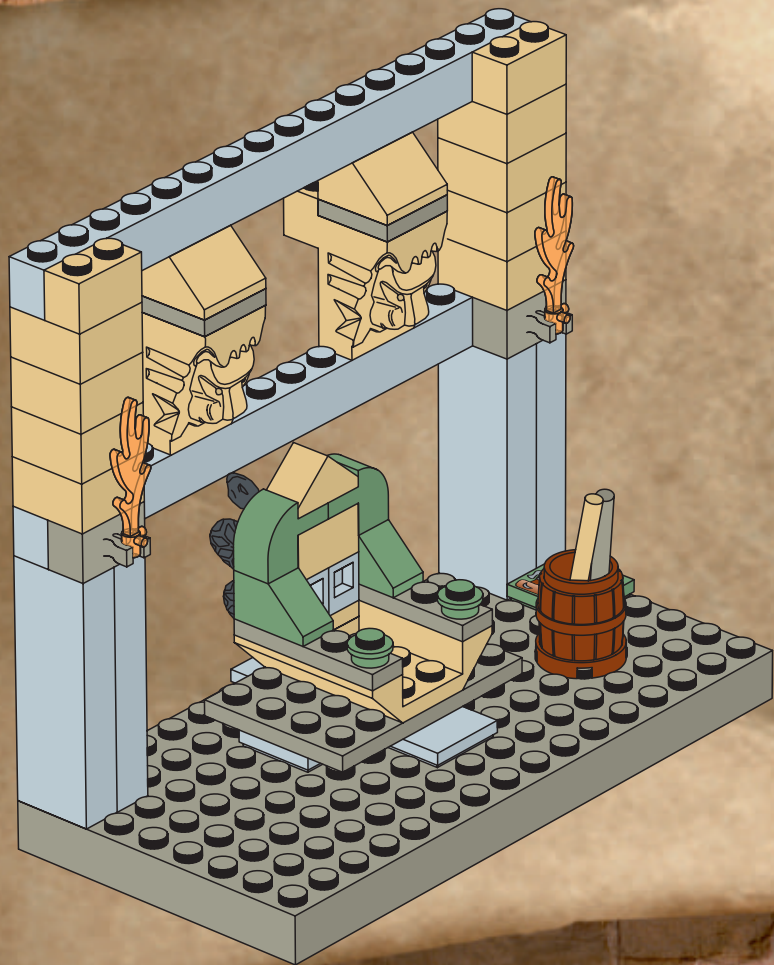




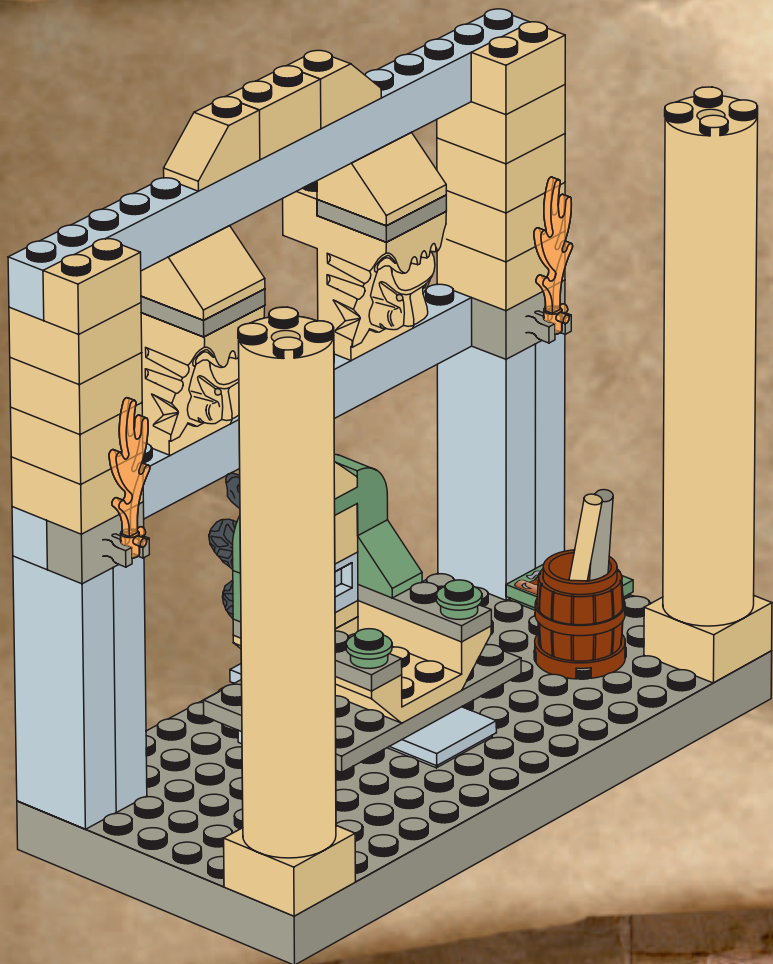
7



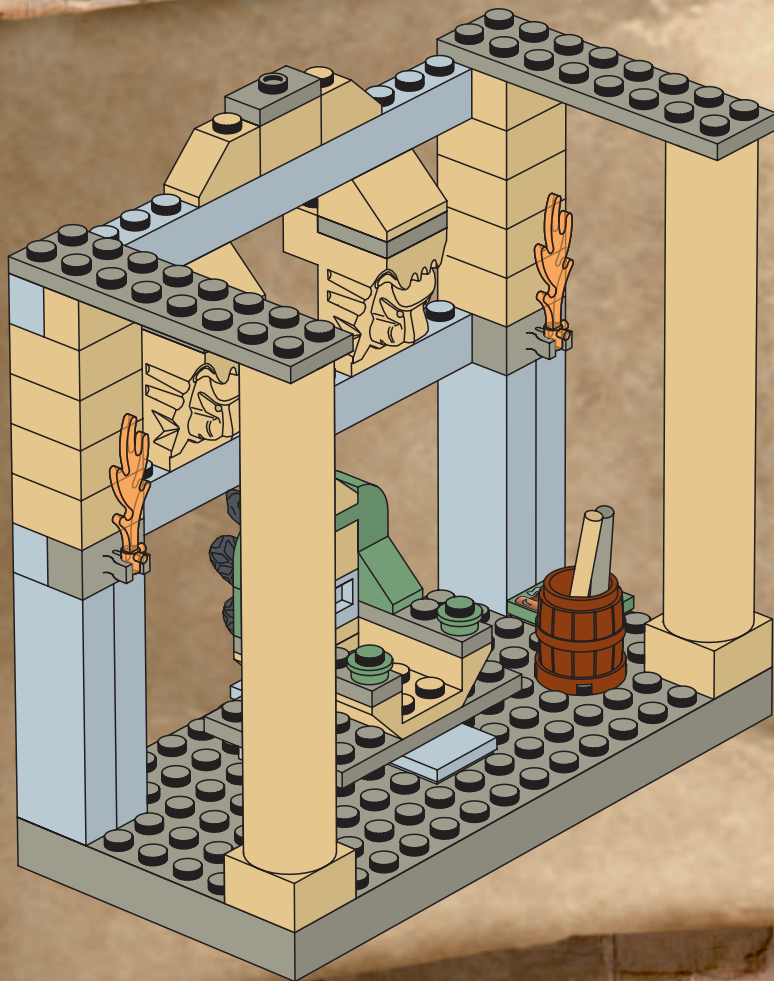
8



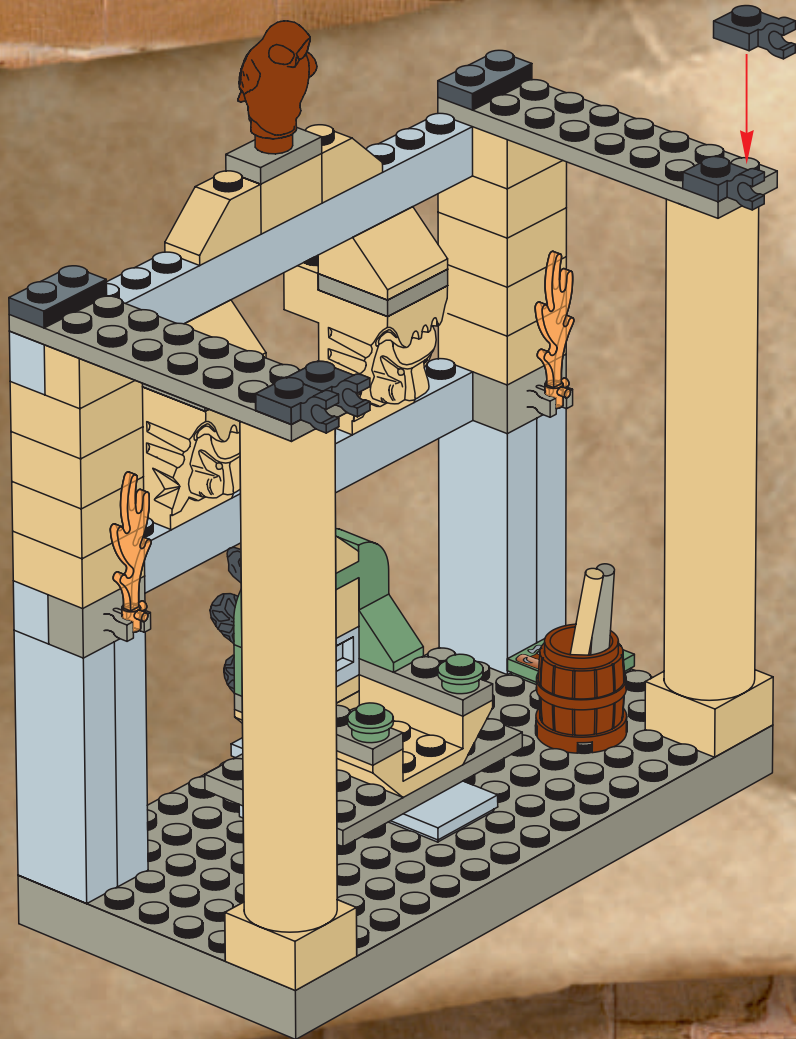
9



10



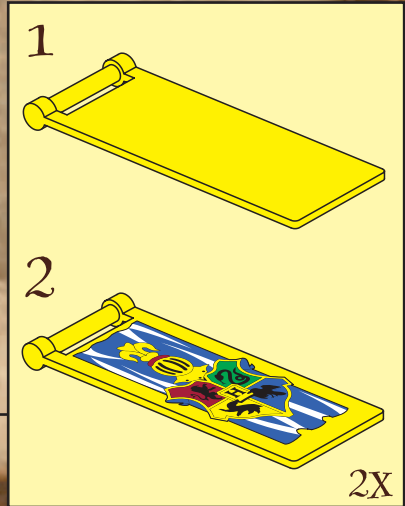
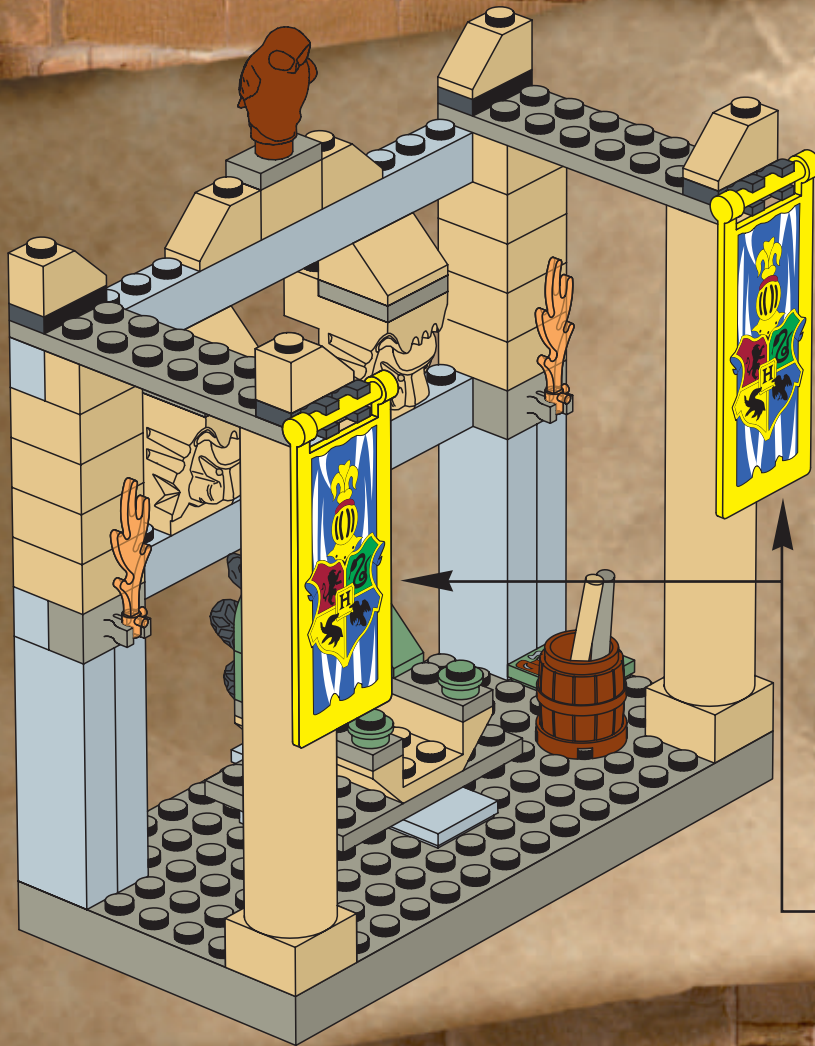
11



12



13



14





4728



4730



4726



4731



4709

4705

4726



4709



4730

4733



4707



4735

4712

4729



4727

LEGO and the LEGO logo are trademarks of the LEGO Group.
©2002 The LEGO Group.

HARRY POTTER, characters, names and related indicia are trademarks of and © Warner Bros.

WB SHIELD: TM & © Warner Bros.

Harry Potter Publishing Rights © J.K. Rowling.
(s02)



www.hanypotter.com



4189996