

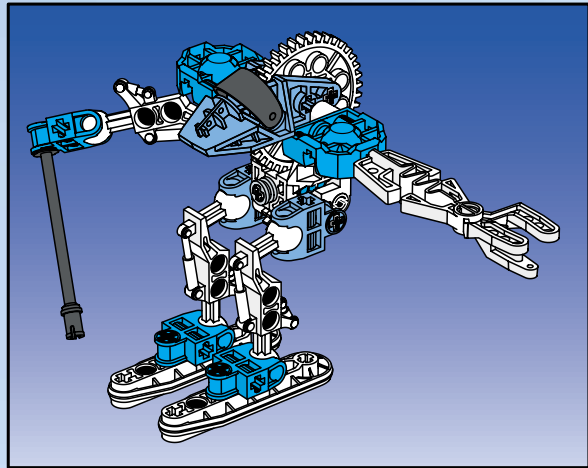
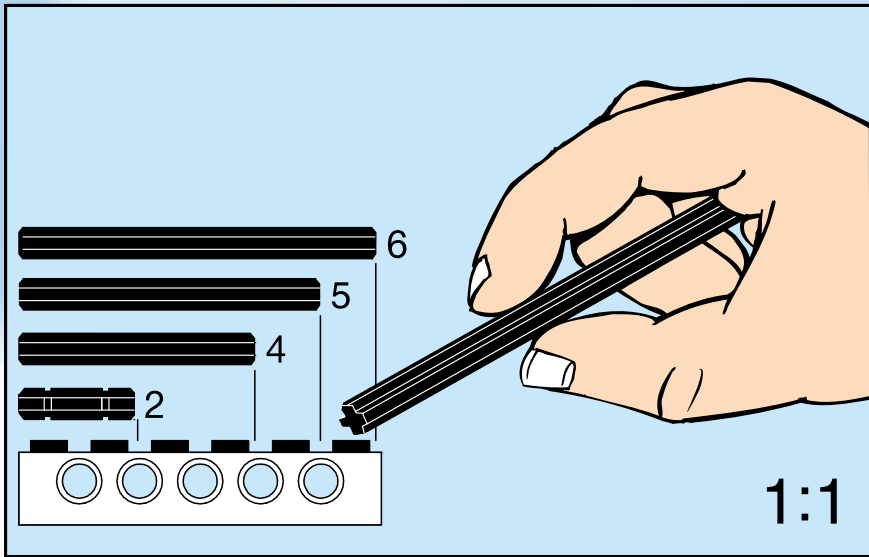
The image shows the box art for the LEGO Technic set 'Ice Slizer' (set number 8501). The background is a vibrant blue sky with jagged, white and light blue ice formations. In the center, a complex LEGO Technic mechanism is shown in action, featuring a mix of white, blue, and tan parts. The mechanism includes gears, levers, and a large wheel, with a trail of white particles suggesting movement or a 'sliding' action. In the bottom left corner, the LEGO Technic logo is displayed. In the top right corner, the set number '8501' is printed in a large, bold, black font. The overall aesthetic is clean and dynamic, typical of LEGO Technic product photography.

# ICE SLIZER

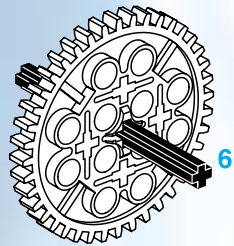
8501

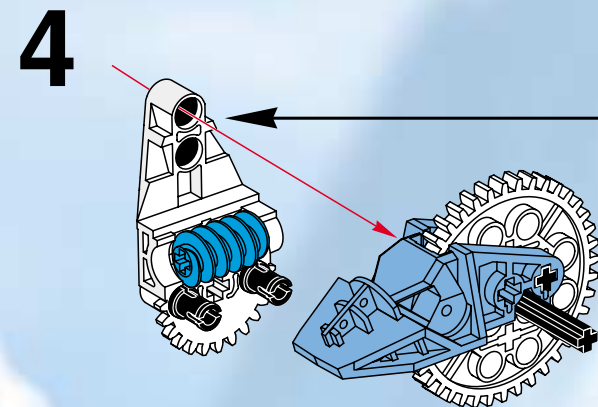
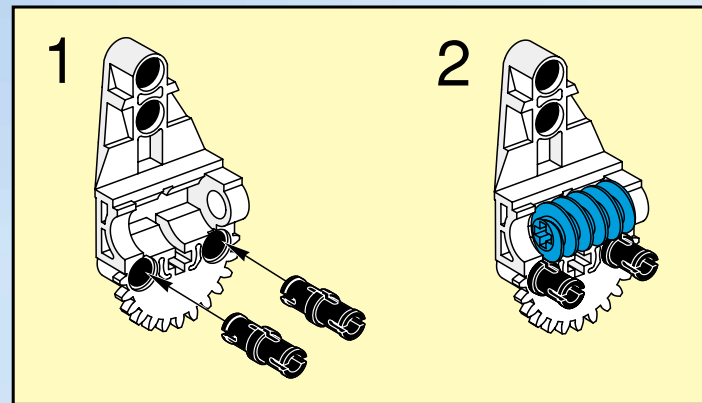
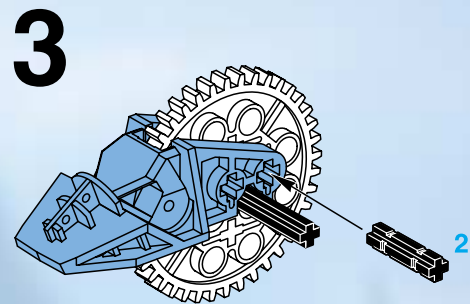
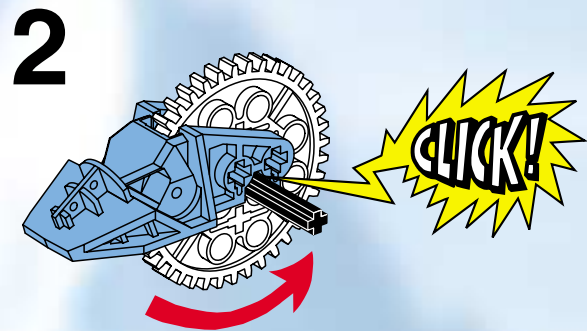
**LEGO** Technic

4124713

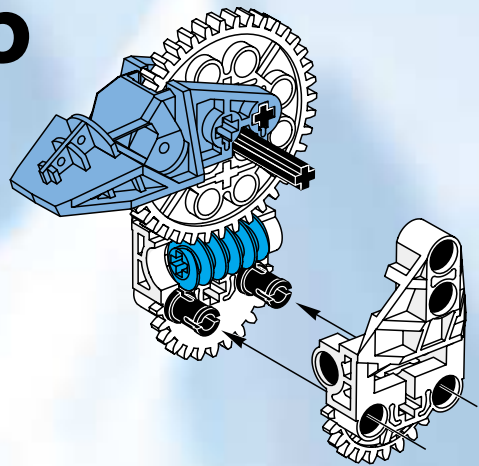


1

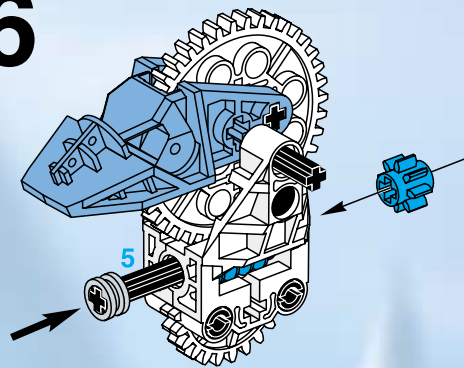




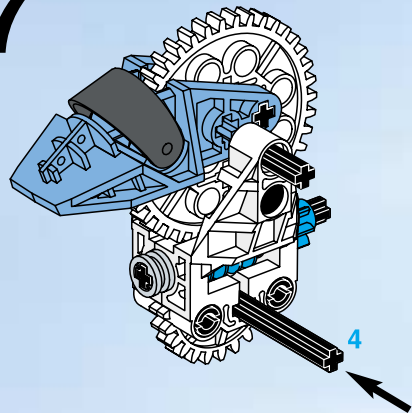
5



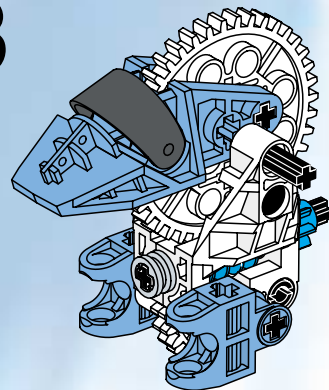
6



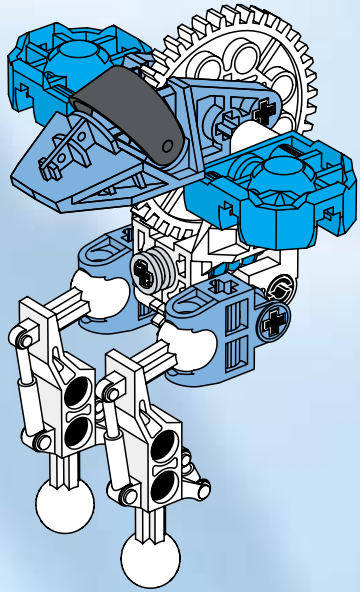
7



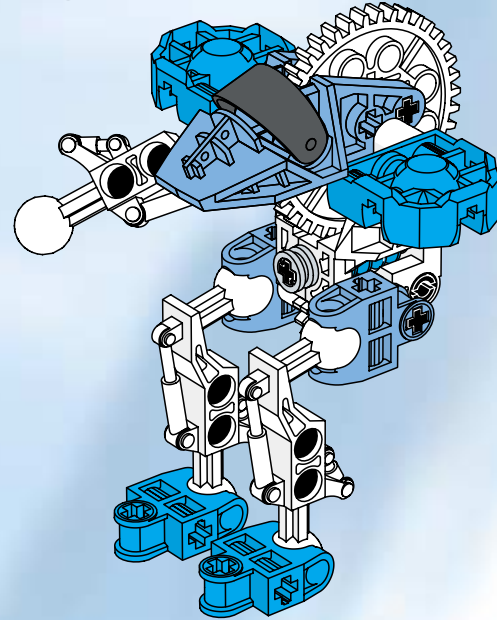
8



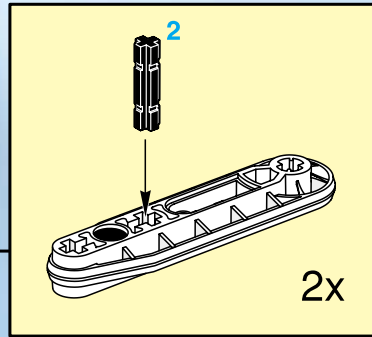
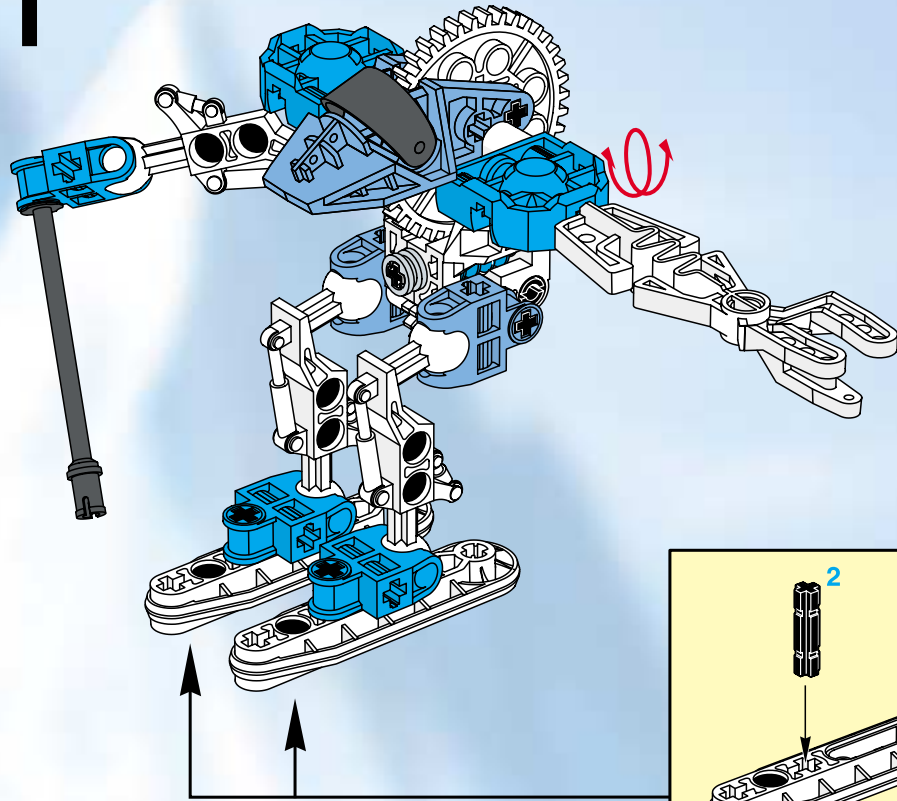
9



10



11





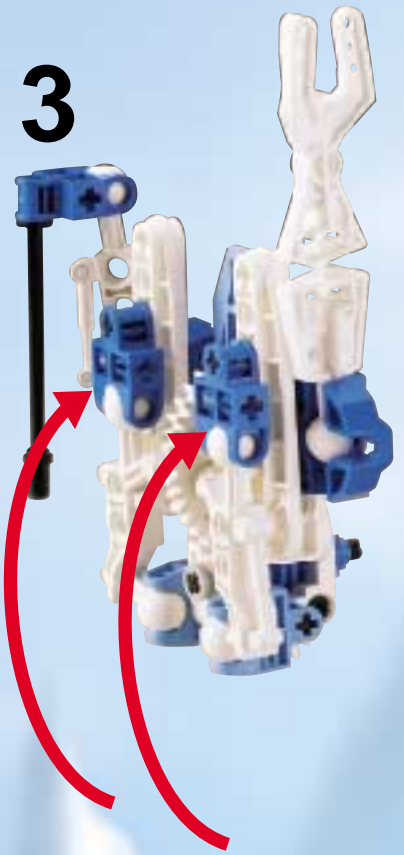
**1**



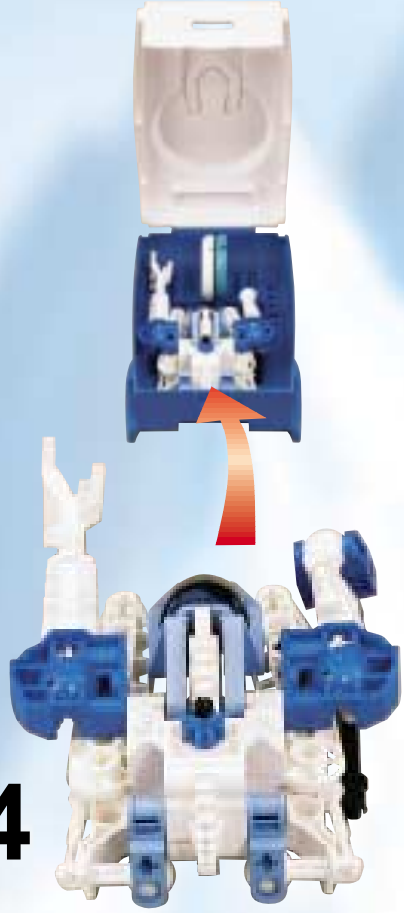
**2**

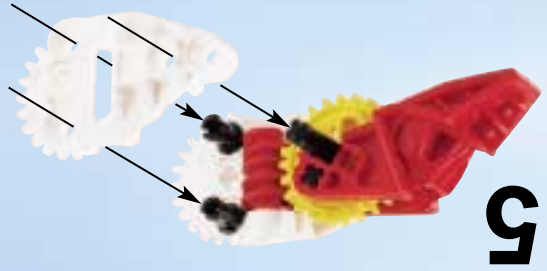
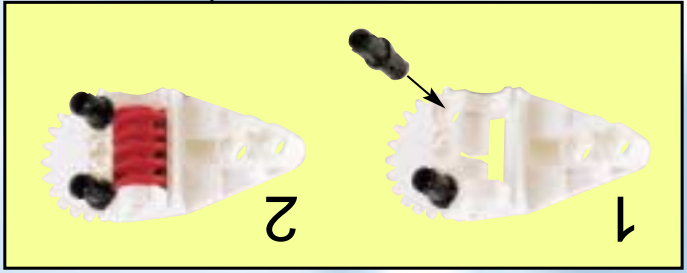


**3**

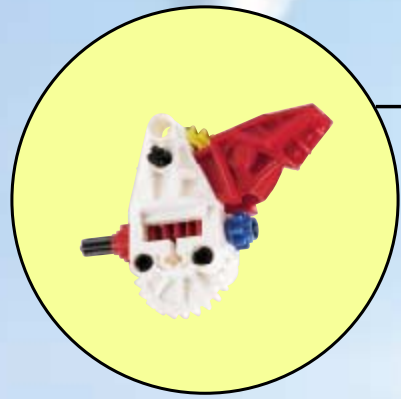


**4**

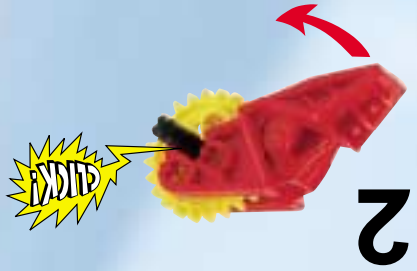








1



2

3





**9**



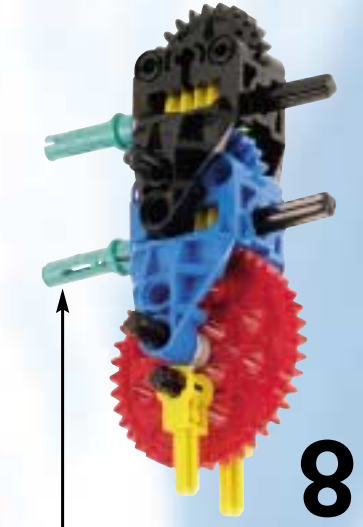
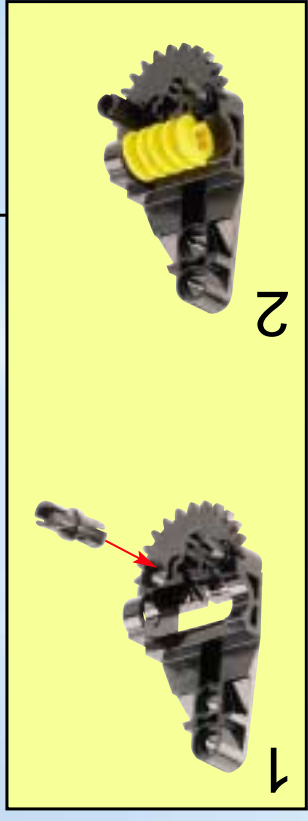
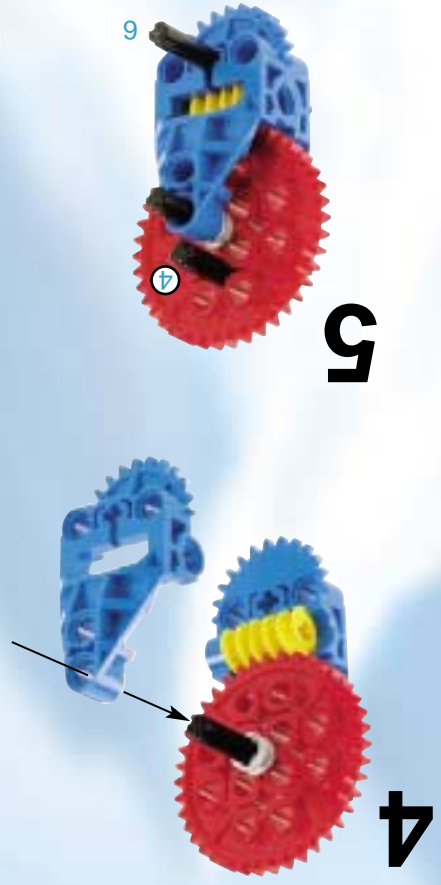
**10**

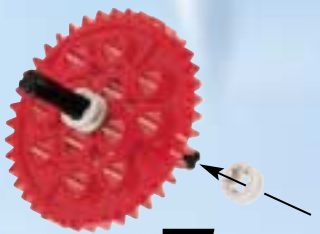
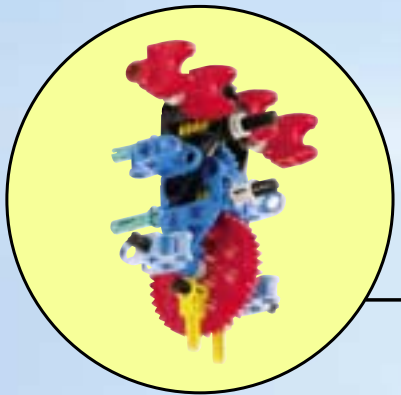


**11**



**12**



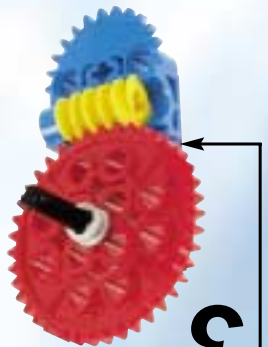


2



9

1



3





8500 + 8501 + 8502 + 8503

A vertical yellow box containing a list of parts. From bottom to top: a red and black sub-assembly (8500), a blue and white sub-assembly (8501), a green and blue sub-assembly (8502), and a blue and white sub-assembly (8503). Plus signs (+) are placed between the sub-assemblies to indicate they are added together.